

# RYOBI®

RBC36X26B

RBC36X26E

RBC36B26B

## ORIGINAL INSTRUCTIONS

TRADUCTION DES INSTRUCTIONS ORIGINALES  
ÜBERSETZUNG DER ORIGINALANLEITUNG  
TRADUCCIÓN DE LAS INSTRUCCIONES ORIGINALES  
TRADUZIONE DELLE ISTRUZIONI ORIGINALI  
VERTALING VAN DE ORIGINELE INSTRUCTIES  
TRADUÇÃO DAS INSTRUÇÕES ORIGINAIS  
OVERSÆTTELSE AF DE ORIGINALE INSTRUKTIONER  
ÖVERSÄTTNING AV DE URSPRUNGLIGA INSTRUKTIONERNA  
ALKUPERÄISTEN OHJEIDEN SUOMENNOS  
OVERSETTELSE AV DE ORIGINALE INSTRUKSJONENE  
ПЕРЕВОД ОРИГИНАЛЬНЫХ ИНСТРУКЦИЙ  
TŁUMACZENIE INSTRUKCJI ORYGINALNEJ  
PŘEKLAD ORIGINÁLNÍCH POKYNŮ  
AZ EREDETI ÚTMUTATÓ FORDÍTÁSA  
TRADUCEREA INSTRUCȚIUNILOR ORIGINALE  
TULKOTS NO ORIGINĀLĀS INSTRUKCIJAS  
ORIGINALIŲ INSTRUKCIJŲ VERTIMAS  
ORIGINAALJUHENDI TÕLGE  
PRIJEVOD ORIGINALNIH UPUTA  
PREVOD ORIGINALNIH NAVODIL  
PREKLAD ORIGINÁLNYCH POKYNOV  
ПРЕВОД ОТ ОРИГИНАЛНИТЕ ИНСТРУКЦИИ  
ПЕРЕКЛАД ОРИГІНАЛЬНИХ ІНСТРУКЦІЙ

EN

FR

DE

ES

IT

NL

PT

DA

SV

FI

NO

RU

PL

CS

HU

RO

LV

LT

ET

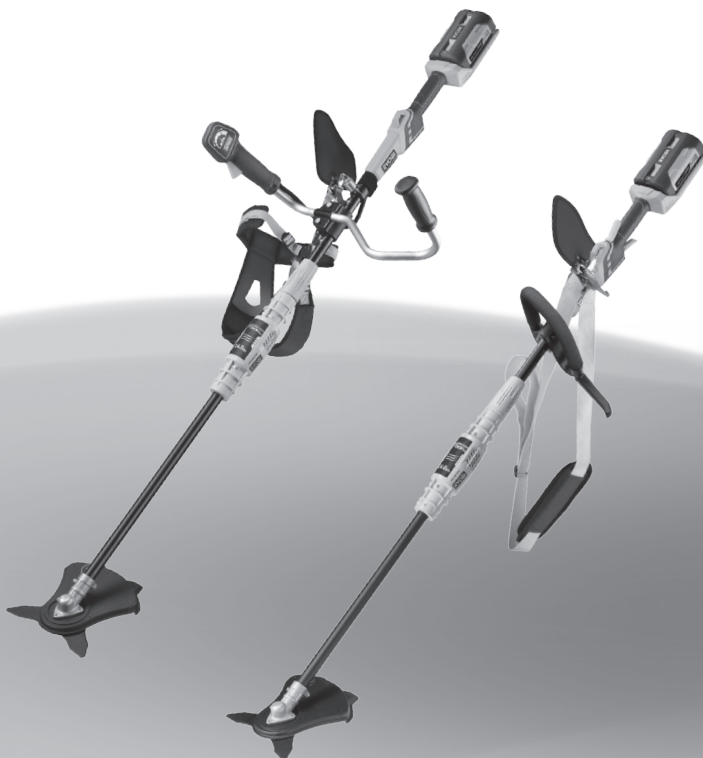
HR

SL

SK

BG

UK





- Important!** It is essential that you read the instructions in this manual before assembling, maintaining and operating the product.
- Attention!** Il est essentiel que vous lisiez les instructions contenues dans ce manuel avant d'assembler, d'entretenir et d'utiliser le produit.
- Achtung!** Es ist wichtig, dass Sie vor Zusammenbau, Wartung und Benutzung des Produktes die Anweisungen in dieser Anleitung lesen.
- ¡Atención!** Resulta fundamental que lea este manual de instrucciones antes de realizar el montaje, el mantenimiento y de utilizar este producto
- Attenzione!** È importante leggere le istruzioni contenute nel presente manuale prima di montare il prodotto, svolgere le operazioni di manutenzione sullo stesso e metterlo in funzione.
- Let op!** Het is van essentieel belang dat u de instructies in deze gebruiksaanwijzing leest voor u het product monteert, onderhoudt en gebruikt.
- Atenção!** É fundamental que leia as instruções deste manual antes da montagem, manutenção e operação do aparelho.
- OBS!** Det er vigtigt, at man læser instrukserne i denne brugsanvisning, inden man samler, vedligeholder og betjener produktet.
- Observera!** Det är viktigt att du läser instruktionerna i manualen före monteringen, användning och underhåll av produkten.
- Huomio!** On tärkeää, että luet tämän käsikirjan ohjeet ennen tuotteen kokoamista, huoltoa ja käyttöä.
- Advarsel!** Det er vigtigt at du leser instruksjonene i denne manualen før sammensetning, vedlikehold og bruk av produktet
- Внимание!** Необходимо прочитать инструкции в данном руководстве перед сборкой, обслуживанием и эксплуатацией этого изделия.
- Uwaga!** Koniecznie należy przeczytać instrukcje zawarte w tym podręczniku przed montażem, obsługą oraz konserwacją produktu.
- Důležitost upozornění!** Neinstalujte, neprovádějte údržbu ani nepoužívejte tento výrobek dříve, než si přečtete pokyny uvedené v tomto návodu.
- Figyelem!** Fontos, hogy a termék összeszerelése, karbantartása és használatá elött elolvassa a kézikönyvben található utasításokat.
- Atenție!** Este esențial să citiți instrucțiunile din acest manual înainte de asamblare, efectuarea întreținerii și operarea produsului.
- Uzmanību!** Ir svarīgi izlasīt šīs rokasgrāmatas instrukcijas pirms uzstādīšanas, apkopes un precas darbināšanas.
- Démésio!** Prieš surenkant, prižiūrint ir naudojant gaminį, būtina perskaityti šią vadovą pateiktus nurodymus.
- Tähtis!** Enne masina kokkupanekut, hooldamist ja kasutama hakkamist tuleb käesolevas juhendis esitatud juhised kindlasti läbi lugeda.
- Upozorenje!** Vrlo je važno da ste prije sklapanja, održavanja i rada s ovim proizvodom pročitali upute u ovom priručniku.
- Pomembno!** Pomembno je da pred montažo vzdrževanjem in uporabo tega izdelka preberete navodila v tem priručniku.
- Upozornenie!** Je dôležité, aby ste si pred montážou, údržbou a obsluhou produktu prečítali pokyny v tomto návode.
- Важно!** Исклучително важно е да прочетете инструкциите в настоящото ръководство, преди да преминете към сглобяване, поддръжка или работа с продукта.
- Важливо!** Дуже важливо, щоб ви прочитали інструкції в цьому керівництві перед складанням, обслуговуванням та експлуатацією цієї машини.

Subject to technical modification | Sous réserve de modifications techniques | Technische Änderungen vorbehalten | Bajo reserva de modificaciones técnicas | Con riserva di eventuali modifiche tecniche | Technische wijzigingen voorbehouden | Com reserva de modificações técnicas | Med forbehold for tekniske ændringer | Med förbehåll för tekniska ändringar | Tekniset muutokset varataan | Med forbehold om tekniske ændringer | могут быть внесены технические изменения | Z zastrzeżeniem modyfikacji technicznych | Změny technických údajů vyhrazeny | A műszaki módosítás jogát fenntartjuk | Sub rezerva modificărilor tehnice | Paturam tiesības mainīt tehniskos raksturlielumus | Pasiliekiat teisę daryti techninius pakeitimus | Tehnilised muudatused võimalikud | Podloženo tehničkim promjenama | Tehnične spremembe dopuščene | Právo na technické zmeny je vyhradené | Подлежи на технически модификации | Є об'єктом для технічних змін



Safety, performance, and dependability have been given top priority in the design of your cordless brushcutter and line trimmer.

### INTENDED USE

The line trimmer / brushcutter is intended to be used only by adults who have read and understood the instructions and warnings in this manual and can be considered responsible for their actions. The product is only intended for use outdoors in a well ventilated area. For safety reasons, the product must be adequately controlled by using two-handed operation.

The product fitted with the line trimmer head (and appropriate guard) is intended for cutting long grass, pulpy weed, and similar vegetation at or about ground level. When fitted with the Tri-Arc™ blade (and appropriate guard), it can also cut bushes.

The cutting plane should be approximately parallel to the ground surface. The product should not be used to cut or trim hedges, bushes, or other vegetation where the cutting plane is not parallel to the ground surface.

### ⚠ WARNING

When using the product, the safety rules must be followed. For your own safety and that of bystanders, please read these instructions before operating the product. Please keep the instructions safe for later use.

### ⚠ WARNING

The product is not intended to be used by children or persons with reduced physical, mental or sensory capabilities. Children should be supervised to ensure that they do not play with the appliance.

### TRAINING

- Never allow children or people unfamiliar with the instructions to use the product.
- Read the instructions carefully. Be familiar with all controls and the proper use of the product.
- Keep the area clear of all bystanders, children and pets while trimming. Stop the product if anyone enters the area.
- Never operate the product when you are tired, ill or under the influence of alcohol, drugs, or medicine.
- Use the product for cutting grass and light weeds only. Do not use for any other purpose.
- Keep in mind that the operator or user is responsible for accidents or hazards occurring to other people or their property.

### PREPARATION

- Wear full eye and hearing protection while operating the product. If working in an area where there is a risk of

falling objects, head protection must be worn.

- Hearing protection may restrict the operator's ability to hear warning sounds
- Pay particular attention to potential hazards around and inside the work area.
- Wear heavy long trousers, boots, and gloves. Do not wear loose fitting clothing, short trousers, jewellery of any kind, or use with bare feet.
- Secure long hair so it is above shoulder level to prevent entanglement in moving parts.
- Before use and after any impact, check that there are no damaged parts. A defective switch or any part that is damaged or worn should be properly repaired or replaced by an authorised service facility.
- Make sure the cutting attachment is properly installed and securely fastened.
- Never operate the product unless all guards, deflectors and handles are properly and securely attached.
- Consider the environment in which you are working. Keep the working area free from wires, sticks, stones and debris, which if struck by the cutter, can become thrown objects.

### GENERAL SAFETY WARNINGS

### ⚠ WARNING

**Read all safety warnings and all instructions.** Failure to follow the warnings and instructions may result in electric shock, fire and/or serious injury.

### Save all warnings and instructions for future reference.

The term "power tool" in the warnings refers to your mains-operated (corded) power tool or battery-operated (cordless) power tool.

### WORK AREA SAFETY

- **Keep work area clean and well lit.** Cluttered or dark areas invite accidents.
- **Do not operate power tools in explosive atmospheres, such as in the presence of flammable liquids, gases or dust.** Power tools create sparks which may ignite the dust or fumes.
- **Keep children and bystanders away while operating a power tool.** Distractions can cause you to lose control.

### ELECTRICAL SAFETY

- **Power tool plugs must match the outlet. Never modify the plug in any way. Do not use any adapter plugs with earthed (grounded) power tools.** Unmodified plugs and matching outlets will reduce risk of electric shock.
- **Avoid body contact with earthed or grounded surfaces, such as pipes, radiators, ranges and**

**refrigerators.** There is an increased risk of electric shock if your body is earthed or grounded.

- **Do not expose power tools to rain or wet conditions.** Water entering a power tool will increase the risk of electric shock.
- **Do not abuse the cord. Never use the cord for carrying, pulling or unplugging the power tool. Keep cord away from heat, oil, sharp edges or moving parts.** Damaged or entangled cords increase the risk of electric shock.
- **When operating a power tool outdoors, use an extension cord suitable for outdoor use.** Use of a cord suitable for outdoor use reduces the risk of electric shock.
- **If operating a power tool in a damp location is unavoidable, use a residual current device (RCD) protected supply.** Use of an RCD reduces the risk of electric shock.

#### PERSONAL SAFETY

- **Stay alert, watch what you are doing and use common sense when operating a power tool. Do not use a power tool while you are tired or under the influence of drugs, alcohol or medication.** A moment of inattention while operating power tools may result in serious personal injury.
- **Use personal protective equipment. Always wear eye protection.** Protective equipment such as dust mask, non-skid safety shoes, hard hat or hearing protection used for appropriate conditions will reduce personal injuries.
- **Prevent unintentional starting. Ensure the switch is in the off-position before connecting to power source and/or battery pack, picking up or carrying the tool.** Carrying power tools with your finger on the switch or energising power tools that have the switch on invites accidents.
- **Remove any adjusting key or wrench before turning the power tool on.** A wrench or a key left attached to a rotating part of the power tool may result in personal injury.
- **Do not overreach. Keep proper footing and balance at all times.** This enables better control of the power tool in unexpected situations.
- **Dress properly. Do not wear loose clothing or jewellery. Keep your hair, clothing and gloves away from moving parts.** Loose clothes, jewellery or long hair can be caught in moving parts.
- **If devices are provided for the connection of dust extraction and collection facilities, ensure these are connected and properly used.** Use of dust collection can reduce dust-related hazards.

#### POWER TOOL USE AND CARE

- **Do not force the power tool. Use the correct power tool for your application.** The correct power tool will

do the job better and safer at the rate for which it was designed.

- **Do not use the power tool if the switch does not turn it on and off.** Any power tool that cannot be controlled with the switch is dangerous and must be repaired.
- **Disconnect the plug from the power source and/or the battery pack from the power tool before making any adjustments, changing accessories or storing power tools.** Such preventive safety measures reduce the risk of starting the power tool accidentally.
- **Store idle power tools out of the reach of children and do not allow persons unfamiliar with the power tool or these instructions to operate the power tool.** Power tools are dangerous in the hands of untrained users.
- **Maintain power tools. Check for misalignment or binding of moving parts, breakage of parts and any other condition that may affect the power tool's operation. If damaged, have the power tool repaired before use.** Many accidents are caused by poorly maintained power tools.
- **Keep cutting tools sharp and clean.** Properly maintained cutting tools with sharp cutting edges are less likely to bind and are easier to control.
- **Use the power tool, accessories and tool bits etc, in accordance with these instructions, taking into account the working conditions and the work to be performed.** Use of the power tool for operations different from those intended could result in a hazardous situation.

#### BATTERY TOOL USE AND CARE

- **Recharge only with the charger specified by the manufacturer.** A charger that is suitable for one type of battery pack may create a risk of fire when used with another battery pack.
- **Use power tools only with specifically designated battery packs.** Use of any other battery packs may create a risk of injury and fire.
- **When battery pack is not in use, keep it away from other metal objects, like paper clips, coins, keys, nails, screws or other small metal objects, that can make a connection from one terminal to another.** Shorting the battery terminals together may cause burns or a fire.
- **Under abusive conditions, liquid may be ejected from the battery; avoid contact. If contact accidentally occurs, flush with water.** If liquid contacts eyes, additionally seek medical help.
- **Liquid ejected from the battery may cause irritation or burns.**

#### SERVICE

- **Have your power tool serviced by a qualified repair person using only identical replacement parts.** This will ensure that safety of the power tool is maintained.



**⚠ WARNING**

Never use cutting means or attachments which are not specified by Ryobi in this manual. This includes the use of metal multi-piece pivoting chains and flail-blades. These items are known to break up during use and present high risk of serious injury to the operator or bystanders.

**⚠ WARNING**

Inspection after dropping or other impacts: Thoroughly inspect the product and identify any problems or damage to it. Any part that is damaged should be properly repaired or replaced by an authorised service centre.

**LINE TRIMMER SAFETY WARNINGS**

- Some regions have regulations that restrict the use of the product. Check with your local authority for advice.
- Never allow children or people unfamiliar with the instructions to use the product.
- Use the product in daylight or good artificial light.
- Avoid using on wet grass.
- Do not walk backwards when using the product.
- Keep firm footing and balance. Do not overreach. Overreaching can result in loss of balance. Always be sure of your footing on slopes. Walk, never run.
- Do not operate the product when there is a risk of lightning.
- Do not expose the product to rain or wet conditions. Water entering an appliance will increase the risk of electric shock.
- Keep bystanders, children and pets 15 m away from the area of operation, stop the product if anyone enters the area.
- Keep the cutting attachment below waist level.
- Never operate the product with damaged guards or without guards in place.
- Never fit a metal replacement line.
- Keep hands and feet away from the cutting means at all times, especially when switching on the motor.
- Beware, the cutting elements continue to rotate after the motor is switched off.
- Beware of objects thrown by the cutting means. Clear debris like small stones, gravel and other foreign objects from the work area before starting operation. Wires or string may become entangled with the cutting means.
- Switch off and disconnect from the power supply before:
  - servicing
  - leaving the product unattended
  - cleaning your product or clearing a blockage
  - changing accessories

- checking for any damage after hitting an object
- checking for any damage if the product
- starts to vibrate abnormally
- performing maintenance
- removing blade
- installing blade

- The small blade fitted to the lawn guard is designed to trim the new extended line to the correct length for safe and optimum performance. It is very sharp; do not touch it, particularly when cleaning the product.
- Always ensure that ventilation openings are kept clear of debris.
- Make sure the cutting head attachment is properly installed and securely fastened.
- Make sure all guards, deflectors and handles are properly and securely attached.
- Do not modify the product in any way. This may increase the risk of injury to yourself or others.
- Use only the manufacturer's replacement cutting line. Do not use any other cutting attachment.

**BRUSHCUTTER SAFETY WARNINGS**

- In addition to the above rules, these additional instructions are appropriate when using the product in brushcutter mode.
- Use heavy-duty gloves while installing or removing blades, they have sharp edges.
- Do not attempt to touch or stop the blade when it is rotating.
- A moving blade can cause severe injury. Maintain proper control of the machine with both hands until the blade has completely stopped rotating.
- Replace any blade that has been damaged. Always make sure blade is installed correctly and securely fastened before each use.
- Use only the manufacturer's replacement Tri-Arc blade. Do not use any other cutting attachment.
- Never cut any material over 13 mm diameter.
- Your brushcutter is fitted with a harness. Carefully adjust the harness to fit comfortably and help to support the weight of the machine at your right side.
- Identify the Quick Release mechanism and practice using it before you start using the product. Its correct use may prevent serious injury in case of an emergency. Never wear additional clothing over the harness or otherwise that restrict access to the quick release mechanism.
- Cover the blade with the blade protector before storing the product, or during transportation. Always remove the blade protector before using the product. If not removed, the blade protector could become a thrown object as the blade begins to turn.
- Exercise extreme caution when using the blade with the product. Blade thrust is the reaction that may occur

when the spinning blade contacts anything it cannot cut. This contact may cause the blade to stop for an instant, and suddenly “thrust” the product away from the object that was hit. This reaction can be violent enough to cause the operator to lose control of the product. Blade thrust may occur without warning if the blade snags, stalls, or binds. This is more likely to occur in areas where it is difficult to see the material being cut.

- For cutting ease and safety, approach the weeds being cut from the right to the left. In the event that an unexpected object or woody stock is encountered, this practice could minimize the blade thrust reaction. Both hands must be used at all times to control the product.

### TRANSPORTATION AND STORAGE

- Stop the product and allow it to cool before storing or transporting.
- Clean all foreign materials from the product. If a cutting blade is fitted, cover it with the blade protector.
- For storage, always disconnect from power supply and wind the cable. Store it in a cool, dry and well-ventilated place that is inaccessible to children. Keep away from corrosive agents, such as garden chemicals and de-icing salts. Do not store outdoors.
- For transportation, secure the product against movement or falling to prevent injury to persons or damage to the product.

### MAINTENANCE

#### WARNING

Use only original manufacturer's replacement parts, accessories, and attachments. Failure to do so can cause possible injury, poor performance, and may void your warranty.

#### WARNING

Servicing requires extreme care and knowledge and should be performed only by a qualified service technician. For service, we suggest you bring the product to your nearest authorised service centre for repair. When servicing, use only identical replacement parts.

- Switch off and remove battery back before conducting any maintenance or cleaning work.
- You may make adjustments and repairs described here. For other repairs, contact the authorised service agent.
- For the replacement line, use only nylon filament line of the diameter described in the specification table of this manual.
- After extending the new cutter line, always return the product to its normal operating position before starting.

- After each use, clean the product with a soft dry cloth. Any part that is damaged should be properly repaired or replaced by an authorised service centre.
- Check all nuts, bolts, and screws at frequent intervals for proper tightness to ensure the product is in a safe working condition.

### RESIDUAL RISKS

Even when the product is used as prescribed, it is still impossible to completely eliminate certain residual risk factors. The following hazards may arise in use and the operator should pay special attention to avoid the following:

- Injury caused by vibration  
Hold the product by designated handles and restrict working time and exposure.
- Injury caused by exposure to noise  
Wear hearing protection and limit exposure.
- Injury caused by flying debris  
Wear eye protection at all times.

Contact with cutting means. Ensure that the blade protectors are fitted when the machine is not in use. Keep hands and feet away from the blades at all times.

Kickback can occur when using the brushcutter. Ensure proper control by using both hands on the designated handles. Read and follow the directions elsewhere in this manual to help reduce the risk of kickback.

Risk of falling objects. During brush cutting, wear head protection if there is any risk of falling objects.

### RISK REDUCTION

It has been reported that vibrations from handheld products may contribute to a condition called Raynaud's Syndrome in certain individuals. Symptoms may include tingling, numbness, and blanching of the fingers, usually apparent upon exposure to cold. Hereditary factors, exposure to cold and dampness, diet, smoking, and work practices are all thought to contribute to the development of these symptoms. There are measures that can be taken by the operator to possibly reduce the effects of vibration:

- Keep your body warm in cold weather. When operating the product, wear gloves to keep the hands and wrists warm. It is reported that cold weather is a major factor contributing to Raynaud's Syndrome.
- After each period of operation, exercise to increase blood circulation.
- Take frequent work breaks. Limit the amount of exposure per day.

If you experience any of the symptoms of this condition, immediately discontinue use and see your doctor about these symptoms.

**⚠ WARNING**

Injuries may be caused or aggravated by prolonged use of a tool. When using any tool for prolonged periods, ensure you take regular breaks.

**KNOW YOUR PRODUCT**

See page 154.

1. Upper shaft
2. Bike handle
3. On/Off switch
4. Trigger
5. Shaft coupling
6. Lower shaft
7. Grass deflector
8. Cut-off blade
9. Cutting line
10. Bump head
11. Spool cover
12. Spool
13. Eyelet
14. Lock-out trigger
15. Variable speed trigger
16. Front handle
17. Blade guard
18. Tri-arc blade
19. Blade protector
20. Battery pack
21. Battery latch button
22. Charger cable
23. Charger

**SYMBOLS ON THE PRODUCT**



Safety alert



Read and understand all instructions before operating the product, follow all warnings and safety instructions.



Wear eye, ear and head protection.



Wear non-slip safety footwear when using the product.



Wear non-slip, heavy duty gloves.



Do not expose to rain or damp condition.



The product is not intended for use with a toothed saw type blade.



Rotational direction and maximum speed of the shaft for the cutting attachment.



Pull: Quick release tab



Beware of thrown or flying objects. Keep all bystanders a safe distance away from the product.



Beware of thrown or flying objects. Keep all bystanders, especially children and pets, at least 15 m away from the operating area.



Keep hands away from cut-off blade



Beware of blade thrust



Tri-Arc blade is appropriate for this product and is suited for cutting pulpy weeds and vine.



Waste electrical products should not be disposed of with household waste. Please recycle where facilities exist. Check with your local authority or retailer for recycling advice.



Conforms to all regulatory standards in the country in the EU where the product is purchased.



EurAsian Conformity Mark



Ukrainian mark of conformity



Guaranteed sound power level for brushcutter



Guaranteed sound power level for line trimmer

**SYMBOLS IN THIS MANUAL**



Connect to power outlet.



Disconnect from power outlet.



Parts or accessories sold separately



Note

The following signal words and meanings are intended to explain the levels of risk associated with this product.

**⚠ DANGER**

Indicates an imminently hazardous situation, which, if not avoided, will result in death or serious injury.

**⚠ WARNING**

Indicates a potentially hazardous situation, which, if not avoided, could result in death or serious injury.

**⚠ CAUTION**

Indicates a potentially hazardous situation, which, if not avoided, may result in minor or moderate injury.

**CAUTION**

Without safety alert symbol

Indicates a situation that may result in property damage.

La plus grande priorité a été donnée à la sécurité, aux performances et à la fiabilité de votre débroussailleuse et coupe bordures lors de sa conception.

**UTILISATION PRÉVUE**

Coupe-bordures/débroussailleuse doit être utilisée seulement par des adultes ayant lu et compris les instructions et les avertissements inclus dans le présent manuel et pouvant être considérés comme responsables de leurs actes. Ce produit ne doit être utilisé qu'à l'extérieur dans une zone bien ventilée. Pour des raisons de sécurité, l'appareil doit être manipulé de manière appropriée, en utilisant les deux mains.

Ce produit équipé d'une tête de coupe à fil (et des protections appropriées) est conçu pour couper les herbes hautes, les mauvaises herbes épaisses et les végétaux similaires au niveau du sol, ou à proximité. Lorsqu'il est équipé du disque Tri-Arc™ (et du pare-débris approprié), il peut également couper des buissons.

Le plan de coupe doit être à peu près parallèle à la surface du sol. Cet appareil ne doit pas être utilisé pour la coupe ou la taille des haies, buissons ou autres végétaux pour lesquels le plan de coupe n'est pas parallèle à la surface du sol.

- Gardez à l'esprit que l'opérateur est responsable des accidents qui arrivent aux autres personnes présentes dans sa propriété.

**PRÉPARATION**

- Portez une protection auditive et oculaire totale lorsque vous utilisez ce produit. Si vous travaillez dans une zone qui comporte des risques de chute d'objets, il est nécessaire que vous portiez un casque de chantier.
- Le port d'une protection auditive est susceptible de diminuer la capacité de l'opérateur à entendre les sons d'alerte.
- Faites particulièrement attention aux dangers éventuels dans la zone de travail et à ses alentours.
- Portez des pantalons longs et épais, des bottes et des gants. Ne portez pas de vêtements amples, de shorts ou de bijoux quels qu'ils soient, et ne travaillez pas pieds nus.
- Attachez les cheveux longs au-dessus du niveau des épaules afin d'éviter qu'ils ne se prennent dans les parties en mouvement.
- Avant utilisation et après tout impact, vérifiez qu'aucun élément n'est endommagé. Un interrupteur défectueux ou toute autre pièce endommagée doit être correctement remplacée ou réparée par un service après-vente agréé.
- Assurez-vous que l'accessoire de coupe est bien en place et bien serré.
- N'utilisez jamais le produit sans que toutes les protections, tous les déflecteurs et toutes les poignées soient bien en place et bien verrouillés.
- Tenez compte de votre environnement de travail. Gardez la zone de travail exempte de fils, bâtons, pierres et débris qui pourraient se voir transformer en projectiles s'ils venaient à être happés par l'élément de coupe.

**⚠ AVERTISSEMENT**

Suivez les règles de sécurité lorsque vous utilisez le produit. Pour votre sécurité et celle des passants, veuillez lire ces instructions avant d'utiliser le produit. Veuillez conserver ce manuel pour vous-y reporter dans le futur.

**⚠ AVERTISSEMENT**

Ce produit ne doit pas être utilisé par des enfants ou par des personnes aux capacités physiques, sensorielles ou mentales diminuées. Les enfants doivent être surveillés afin de s'assurer qu'ils ne jouent pas avec l'appareil.

**ENTRAÎNEMENT**

- Ne laissez jamais les enfants ou les personnes non familiarisées avec le mode d'emploi utiliser le produit.
- Lisez attentivement les instructions. Familiarisez-vous avec les commandes du produit ainsi qu'avec son utilisation correcte.
- Gardez la zone à tondre libre de tout passant, enfant, ou animal domestique. Arrêtez le produit lorsque quiconque pénètre dans l'environnement de travail.
- N'utilisez pas le produit lorsque vous êtes fatigué, malade, ou sous l'influence de l'alcool, de drogues ou de médicaments.
- N'utilisez le produit que pour la coupe de l'herbe et des mauvaises herbes. Ne l'utilisez pour aucun autre travail.

**AVERTISSEMENTS GÉNÉRAUX DE SÉCURITÉ**

**⚠ AVERTISSEMENT**

**Lisez tous les avertissements de sécurité et toutes les instructions.** Le non-respect des avertissements et instructions peut entraîner une décharge électrique, un incendie et/ou de graves blessures.

Conserver tous les avertissements et toutes les instructions pour pouvoir s'y reporter ultérieurement. Le terme «outil» dans les avertissements fait référence à votre outil électrique alimenté par le secteur (avec cordon d'alimentation) ou votre outil fonctionnant sur batterie (sans cordon d'alimentation).

**SÉCURITÉ DE LA ZONE DE TRAVAIL**

- **Conserver la zone de travail propre et bien éclairée.** Les zones en désordre ou sombres sont propices aux accidents.

- **Ne pas faire fonctionner les outils électriques en atmosphère explosive, par exemple en présence de liquides inflammables, de gaz ou de poussières.** Les outils électriques produisent des étincelles qui peuvent enflammer les poussières ou les fumées.
- **Maintenir les enfants et les personnes présentes à l'écart pendant l'utilisation de l'outil.** Les distractions peuvent vous faire perdre le contrôle de l'outil.

### SÉCURITÉ ÉLECTRIQUE

- **Il faut que les fiches de l'outil électrique soient adaptées au socle. Ne jamais modifier la fiche de quelque façon que ce soit. Ne pas utiliser d'adaptateurs avec des outils à branchement de terre.** Des fiches non modifiées et des socles adaptés réduiront le risque de choc électrique.
- **Éviter tout contact du corps avec des surfaces reliées à la terre telles que les tuyaux, les radiateurs, les cuisinières et les réfrigérateurs.** Il existe un risque accru de choc électrique si votre corps est relié à la terre.
- **N'exposez pas ce produit à la pluie ou à des conditions humides.** La pénétration d'eau à l'intérieur d'un outil augmentera le risque de choc électrique.
- **Ne pas maltraiter le cordon. Ne jamais utiliser le cordon pour porter, tirer ou débrancher l'outil. Maintenir le cordon à l'écart de la chaleur, du lubrifiant, des arêtes ou des parties en mouvement.** Des cordons endommagés ou emmêlés augmentent le risque de choc électrique.
- **Lorsqu'on utilise un outil à l'extérieur, utiliser un prolongateur adapté à l'utilisation extérieure.** L'utilisation d'un cordon adapté à l'utilisation extérieure réduit le risque de choc électrique.
- **Si l'usage d'un outil dans un emplacement humide est inévitable, utiliser une alimentation protégée par un dispositif à courant différentiel résiduel (RCD).** L'usage d'un RCD réduit le risque de choc électrique.

### SÉCURITÉ DES PERSONNES

- **Rester vigilant, regarder ce que vous êtes en train de faire et faire preuve de bon sens dans votre utilisation de l'outil. Ne pas utiliser un outil lorsque vous êtes fatigué ou sous l'emprise de drogues, d'alcool ou de médicaments.** Un moment d'inattention en cours d'utilisation d'un outil peut entraîner des blessures graves des personnes.
- **Utiliser un équipement de sécurité. Toujours porter une protection pour les yeux.** Les équipements de sécurité tels que les masques contre les poussières, les chaussures de sécurité antidérapantes, les casques ou les protections acoustiques utilisés pour les conditions appropriées réduiront les blessures de personnes.
- **Éviter tout démarrage intempestif. Assurez-vous que l'interrupteur est en position "arrêt" avant la connexion au secteur et/ou l'insertion de la batterie, ainsi qu'avant de saisir ou de transporter**

**l'outil.** Le transport d'un outil électrique avec votre doigt sur l'interrupteur ou la mise sous tension d'un outil dont l'interrupteur est en position "marche" est propice aux accidents.

- **Retirer toute clé de réglage avant de mettre l'outil en marche.** Porter les outils en ayant le doigt sur l'interrupteur ou brancher des outils dont l'interrupteur est en position marche est source d'accidents.
- **Ne pas se précipiter. Garder une position et un équilibre adaptés à tout moment.** Cela permet un meilleur contrôle de l'outil dans des situations inattendues.
- **S'habiller de manière adaptée. Ne pas porter de vêtements amples ou de bijoux. Garder les cheveux, les vêtements et les gants à distance des parties en mouvement.** Des vêtements amples, des bijoux ou les cheveux longs peuvent être pris dans des parties en mouvement.
- **Si des dispositifs sont fournis pour le raccordement d'équipements pour l'extraction et la récupération des poussières, s'assurer qu'ils sont connectés et correctement utilisés.** Utiliser des collecteurs de poussière peut réduire le risque dus aux poussières.

### UTILISATION ET ENTRETIEN DE L'OUTIL

- **Ne faites pas forcer le produit. Utiliser l'outil adapté à votre application.** L'outil adapté réalisera mieux le travail et de manière plus sûre au régime pour lequel il a été construit.
- **N'utilisez pas un outil électrique dont l'interrupteur marche/arrêt est inopérant.** Tout outil qui ne peut pas être commandé par l'interrupteur est dangereux et il faut le réparer.
- **Débranchez la fiche secteur de la source de courant et/ou le pack batterie de l'outil électrique avant d'effectuer tout réglage, tout changement d'accessoire, et avant de le ranger.** De telles mesures de sécurité préventives réduisent le risque de démarrage accidentel de l'outil.
- **Conserver les outils à l'arrêt hors de la portée des enfants et ne pas permettre à des personnes ne connaissant pas l'outil ou les présentes instructions de le faire fonctionner.** Les outils sont dangereux entre les mains d'utilisateurs novices.
- **Observer la maintenance de l'outil. Vérifier qu'il n'y a pas de mauvais alignement ou de blocage des parties mobiles, des pièces cassées ou toute autre condition pouvant affecter le fonctionnement de l'outil. En cas de dommages, faire réparer l'outil avant de l'utiliser.** De nombreux accidents sont dus à des outils mal entretenus.
- **Garder affûtés et propres les outils permettant de couper.** Des outils destinés à couper correctement entretenus avec des pièces coupantes tranchantes sont moins susceptibles de bloquer et sont plus faciles à contrôler.

- **Utiliser l'outil, les accessoires et les lames etc., conformément à ces instructions, en tenant compte des conditions de travail et du travail à réaliser.** L'utilisation de l'outil pour des opérations différentes de celles prévues pourrait donner lieu à des situations dangereuses.

**UTILISATION DES OUTILS FONCTIONNANT SUR BATTERIES ET PRÉCAUTIONS D'EMPLOI**

- **Ne recharger qu'avec le chargeur spécifié par le fabricant.** Un chargeur qui est adapté à un type de bloc de batteries peut créer un risque de feu lorsqu'il est utilisé avec un autre type de bloc de batteries.
- **N'utiliser les outils qu'avec des blocs de batteries spécifiquement désignés.** L'utilisation de tout autre bloc de batteries peut créer un risque de blessure et de feu.
- **Lorsqu'un bloc de batteries n'est pas utilisé, le maintenir à l'écart de tout autre objet métallique, par exemple trombones, pièces de monnaie, clés, clous, vis ou autres objets de petite taille qui peuvent donner lieu à une connexion d'une borne à une autre.** Le court-circuitage des bornes d'une batterie entre elles peut causer des brûlures ou un feu.
- **Dans de mauvaises conditions, du liquide peut être éjecté de la batterie; éviter tout contact. En cas de contact accidentel, nettoyer à l'eau.** Si le liquide entre en contact avec les yeux, rechercher en plus une aide médicale.
- **Le liquide éjecté des batteries peut causer des irritations ou des brûlures.**

**MAINTENANCE ET ENTRETIEN**

- Faire entretenir l'outil par un réparateur qualifié utilisant uniquement des pièces de rechange identiques. Cela assurera que la sécurité de l'outil est maintenue.

**⚠ AVERTISSEMENT**

N'utilisez jamais d'outils ou d'accessoires de coupe qui ne sont pas spécifiés par Ryobi dans ce manuel. Cela comprend l'utilisation de chaînes et lames-fléaux métalliques pivotantes, multi-pièces. On sait que ces éléments peuvent se casser lors de l'utilisation et présenter un risque élevé de blessure grave pour l'utilisateur ou les personnes se tenant à proximité.

**⚠ AVERTISSEMENT**

Vérification après une chute ou autres chocs: Vérifiez minutieusement l'appareil et repérez tout dommage éventuel. Toute pièce endommagée doit être correctement remplacée ou réparée par un service après-vente agréé.

**AVERTISSEMENTS DE SÉCURITÉ RELATIFS À LA COUPE-BORDURES**

- La législation de certaines régions restreint l'utilisation du produit. Contactez les autorités locales pour obtenir des conseils.
- Ne laissez jamais les enfants ou les personnes non familiarisées avec le mode d'emploi utiliser le produit.
- Veillez à ce que votre zone de travail soit bien éclairée (lumière du jour ou lumière artificielle).
- Évitez d'utiliser la machine sur de l'herbe mouillée.
- Ne reculez pas lors de l'utilisation du produit.
- Gardez un bon appui et un bon équilibre. Ne pas se précipiter. Ne travaillez pas en extension, vous pourriez perdre l'équilibre. Gardez toujours un bon appui dans les pentes. Marchez, ne courez jamais.
- N'utilisez pas le produit en cas de risque d'éclair.
- N'exposez pas ce produit à la pluie ou à des conditions humides. La pénétration d'eau dans un appareil augmente le risque de décharge électrique.
- Gardez les passants, les enfants et les animaux éloignés d'au moins 15 m de l'aire de travail. Arrêtez le produit lorsque quiconque pénètre dans l'environnement de travail.
- Maintenez l'accessoire de coupe en dessous du niveau de votre taille.
- N'utilisez jamais le produit si ses protections sont absentes ou endommagées.
- N'utilisez jamais de fil de coupe en métal avec votre coupe-bordures.
- Maintenez toujours vos mains et vos pieds éloignés de la tête de fil, en particulier lors de la mise en marche du coupe-bordures.
- Prenez garde, les éléments de coupe continuent de tourner une fois le moteur coupé.
- Prenez garde aux objets projetés par l'élément de coupe. Dégagez la zone de travail des débris tels que petites pierres, gravier et autres objets étrangers avant de commencer le travail. Des câbles ou de la ficelle pourraient s'emmêler dans les éléments de coupe.
- Arrêtez et débranchez l'appareil du secteur avant de:
  - réparations
  - laisser le produit sans surveillance
  - nettoyage de votre produit ou dégagement de la cause d'un blocage.
  - changer un accessoire
  - vérifier tout dommage éventuel après avoir heurté un objet
  - vérifier tout dommage éventuel au cas où le produit se mettrait à vibrer de façon anormale
  - opérations d'entretien
  - retirer la lame
  - installer de la lame



- La petite lame incorporée au carter de protection a pour but de tailler le fil de coupe nouvellement libéré à la bonne longueur pour de meilleures performances et une bonne sécurité d'utilisation. Elle est très coupante, veillez à ne pas la toucher, en particulier lorsque vous nettoyez l'outil.
- Assurez-vous que les ouïes de ventilation sont en permanence exemptes de débris.
- Assurez-vous que l'accessoire de coupe est bien en place et bien serré.
- Assurez-vous que toutes les protections, tous les déflecteurs et toutes les poignées sont bien en place et bien verrouillés.
- Ne modifiez pas le produit de quelque manière que ce soit. La batterie devient chaude uniquement en cas d'utilisation prolongée de l'outil.
- N'utilisez que du fil de coupe fourni par le fabricant. N'utilisez aucun autre accessoire de coupe.

## CONSIGNES DE SÉCURITÉ DE LA DÉBROUSSAILLEUSE

- En plus des consignes ci-dessus, ces instructions supplémentaires doivent être suivies lorsque l'appareil est utilisé en mode débroussailluse.
- Utilisez des gants résistants lors de l'installation et du retrait des disques : leurs arêtes sont tranchantes.
- N'essayez pas de toucher ou d'arrêter la lame en mouvement.
- Un disque en mouvement peut entraîner des blessures graves. Maintenez l'appareil fermement sous contrôle, avec vos deux mains, jusqu'à ce que le disque se soit totalement arrêté de tourner.
- Remplacez toute lame endommagée. Vérifiez toujours que la lame est bien en place et bien serrée avant chaque utilisation.
- N'utilisez que des lames de remplacement Tri-Arc d'origine constructeur. N'utilisez aucun autre accessoire de coupe.
- Ne coupez aucun matériau d'un diamètre supérieur à 1.25 cm (0.5 in.).
- Votre débroussailluse est équipée d'un harnais. Ajustez soigneusement le harnais de façon que le poids de la machine soit confortablement supporté et que la machine soit positionnée à votre côté droit.
- Repérez le mécanisme de libération rapide et entraînez-vous à sa manipulation avant de commencer à utiliser la machine. Son utilisation correcte peut empêcher de graves blessures en cas d'urgence. Ne portez jamais aucun vêtement supplémentaire par dessus le harnais qui serait susceptible de gêner le fonctionnement du mécanisme de libération rapide.
- Recouvrez la lame avec sa protection avant de ranger l'appareil, ou au cours de son transport. Retirez toujours le fourreau de protection avant d'utiliser l'appareil. Si vous ne le retirez pas, le carter de protection de la lame

il peut se transformer en projectile lors de la mise en rotation de la lame.

- Soyez particulièrement attentif lorsque vous utilisez la lame avec le produit. Le rebond de la lame est la réaction qui peut se produire lorsque la lame en rotation entre en contact avec un élément qu'elle ne peut pas couper. Ce contact peut entraîner un brusque arrêt provisoire de la lame, et "projeter" soudainement l'appareil en direction inverse de l'élément heurté. Cette réaction peut être assez violente pour que l'utilisateur perde le contrôle de l'appareil. Une projection de la lame survenir sans prévenir si elle s'accroche, se bloque ou se coince. Ceci est surtout susceptible de se produire dans des zones où il est difficile de voir les éléments en cours de coupe.
- Pour une coupe plus sûre et plus facile, attaquez les herbes à couper de la droite vers la gauche. En cas de contact inattendu avec un objet ou une souche, la réaction de rebond en sera minimisée. Utilisez toujours vos deux mains pour contrôler ce produit.

## TRANSPORT ET STOCKAGE

- Arrêtez le produit et laissez-le refroidir avant de le ranger ou de le transporter.
- Débarrassez l'appareil de tous les corps étrangers. Si une lame de découpe est installée, couvrez-la avec le protecteur de lame.
- Avant stockage, toujours débrancher l'alimentation et enrouler la rallonge. Rangez la en un endroit frais, sec et correctement ventilé, hors de portée des enfants. Ne la rangez pas à proximité d'agents corrosifs tels que produits chimiques de jardinage ou sels de dégel. Ne rangez pas à l'extérieur.
- Pour le transport, attachez le produit pour l'empêcher de bouger ou de tomber, afin d'éviter toute blessure et tout dommage matériel.

## ENTRETIEN

### ⚠ AVERTISSEMENT

N'utilisez que des pièces détachées et accessoires d'origine constructeur. Le non respect de cette précaution peut entraîner de mauvaises performances, des blessures, et annuler votre garantie.

### ⚠ AVERTISSEMENT

Les réparations demandent un soin et des connaissances extrêmes et ne doivent être effectuées que par un réparateur qualifié. Pour toute réparation, nous vous conseillons de retourner votre appareil à votre service après vente agréé le plus proche. N'utilisez que des pièces détachées identiques pour effectuer les réparations.

EN
<b>FR</b>
DE
ES
IT
NL
PT
DA
SV
FI
NO
RU
PL
CS
HU
RO
LV
LT
ET
HR
SL
SK
BG
UK

- Coupez l'alimentation et retirez le bloc de la batterie avant d'effectuer toute opération de maintenance ou de nettoyage.
- Vous pouvez effectuer les réglages et réparations décrits dans ce manuel. Pour les autres réparations, contactez un service après-vente agréé.
- Pour remplacer le fil de coupe, n'utilisez que du fil nylon du diamètre indiqué dans la table des caractéristiques de ce manuel.
- Après avoir déroulé une nouvelle longueur de fil de coupe, remettez toujours le produit en position normale de travail avant de le mettre en marche.
- Après chaque utilisation, utilisez un chiffon propre et sec pour nettoyer le produit. Toute pièce endommagée doit être correctement remplacée ou réparée par un service après-vente agréé.
- Vérifiez régulièrement le bon serrage des écrous, vis et boulons pour que le produit soit toujours en bon état de fonctionnement.

### RISQUES RÉSIDUELS

Même lorsque le produit est utilisé selon les prescriptions, il reste impossible d'éliminer totalement certains facteurs de risque résiduels. Les dangers suivants risquent de se présenter en cours d'utilisation et l'utilisateur doit prêter particulièrement garde à ce qui suit :

- Blessures dues aux vibrations.  
Maintenez le produit par les poignées destinées à cet effet et limitez le temps de travail et d'exposition.
- Perte d'audition provoquée par l'exposition au bruit.  
Portez une protection auditive et limitez le temps d'exposition.
- Blessures provoquées par la projection de débris  
Portez en permanence une protection oculaire.

Entrée en contact avec les éléments de coupe. Assurez-vous que le protège-lame est en place lorsque le produit n'est pas utilisé. Gardez en permanence vos pieds et vos mains éloignés des lames.

Un effet de retour peut survenir lors de l'utilisation de la débroussailluse. Assurez-vous un maintien adapté de l'outil en utilisant les poignées prévues, avec les deux mains. Lisez et suivez les instructions de ce manuel pour réduire le risque de retour de choc.

Risque de chute d'objets: Lors de la coupe des buissons, portez un casque de protection en cas de risque de chute d'objets.

### RÉDUCTION DES RISQUES

Il a été reporté que les vibrations engendrées par les outils à main peuvent contribuer à l'apparition d'un état appelé le Syndrome de Raynaud chez certaines personnes. Les symptômes peuvent comprendre des fourmillements, un engourdissement et un blanchiment des doigts, généralement par temps froid. Des facteurs héréditaires, l'exposition au froid et à l'humidité, le régime alimentaire,

le tabagisme et les habitudes de travail peuvent contribuer au développement de ces symptômes. Certaines mesures peuvent être prises par l'utilisateur pour aider à réduire les effets des vibrations:

- Gardez votre corps au chaud par temps froid. Lorsque vous utilisez le produit, portez des gants afin de garder vos mains et vos poignets au chaud. Le temps froid est considéré comme un facteur contribuant très largement à l'apparition du Syndrome de Raynaud.
- Après chaque session de travail, pratiquez des exercices qui favorisent la circulation sanguine.
- Faites des pauses fréquentes. Limitez la quantité d'exposition journalière.

Si vous ressentez l'un des symptômes associés à ce syndrome, arrêtez immédiatement le travail et consultez votre médecin pour lui en faire part.

### ⚠ AVERTISSEMENT

L'utilisation prolongée d'un outil est susceptible de provoquer ou d'aggraver des blessures. Assurez-vous de faire des pauses de façon régulière lorsque vous utilisez tout outil de façon prolongée.

### APPRENEZ À CONNAÎTRE VOTRE PRODUIT

Voir page 154.

1. Arbre supérieur
2. Guidon de vélo
3. Bouton poussoir marche
4. Gâchette
5. Raccord d'arbre
6. Arbre inférieur
7. Défecteur d'herbe
8. Lame de taille
9. Fil de coupe
10. Tête à taper
11. Couvercle de bobine
12. Bobine
13. Cillet
14. Manette de verrouillage
15. Gâchette avec variateur
16. Poignée avant
17. Protège-lame
18. Lame Tri-Arc
19. Protège-lame
20. Batterie
21. Bouton de verrouillage de la batterie
22. Câble de chargeur
23. Chargeur

### SYMBOLES APPLIQUÉS SUR LE PRODUIT



Avertissement



Lisez et comprenez toutes les instructions avant d'utiliser le produit, respectez tous les avertissements et toutes les instructions de sécurité.



Portez une protection oculaire et auditive ainsi qu'un casque



Portez des chaussures de sécurité antidérapantes lorsque vous utilisez le produit.



Portez des gants de protection solides et antidérapants.



Ne pas exposer à la pluie ou à des conditions humides.



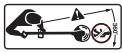
Le produit n'a pas été conçu pour fonctionner avec une lame équipée de dents de scie.



Sens de rotation et vitesse maximale de l'arbre de l'accessoire de coupe.



Tirer: Languette de déverrouillage rapide



Prenez garde à la projection d'objets au sol et dans les airs. Maintenez les visiteurs à bonne distance du produit.



Prenez garde à la projection d'objets au sol et dans les airs. Gardez tous les passants, en particulier les enfants et les animaux, éloignés d'au moins 15 m de distance de la zone de travail.



Gardez vos mains éloignées de la lame de taille du fildecoupe.



Prenez garde aux effet de ricochet du disque.



La lame Tri-Arc blade est appropriée pour ce produit et adaptée à la coupe des mauvaises herbes épaisses et des plantes grimpantes.



Les produits électriques hors d'usage ne doivent pas être jetés avec les ordures ménagères. Recyclez-les par l'intermédiaire des structures disponibles. Contactez les autorités locales pour vous renseigner sur les conditions de recyclage.



Cet outil est conforme à l'ensemble des normes réglementaires du pays de l'UE où il a été acheté.



Marque de qualité EurAsian



Marque de conformité ukrainienne



Niveau de puissance sonore garanti pour la débroussailleuse



Niveau de puissance sonore garanti pour le taille-haie

## SYMBOLES DE CE MANUEL



Branchez sur le secteur



Débranchez du secteur



Pièces détachées et accessoires vendus séparément



Remarque

Les symboles suivants, et les noms qui leur sont associés, permettent d'expliquer les différents niveaux de risques liés à l'utilisation de cet outil.

### **⚠ DANGER**

Situation potentiellement dangereuse qui, si l'on n'y prend garde, peut entraîner la mort ou des blessures graves.

### **⚠ AVERTISSEMENT**

Situation potentiellement dangereuse qui, si l'on n'y prend garde, peut entraîner la mort ou des blessures graves.

### **⚠ MISE EN GARDE**

Situation potentiellement dangereuse qui, si l'on n'y prend garde, peut entraîner des blessures moyennes ou légères.

### **MISE EN GARDE**

Sans symbole d'alerte de sécurité

Indique une situation pouvant entraîner des dommages matériels.

Sicherheit, Leistung und Zuverlässigkeit hatten oberste Priorität bei der Entwicklung Ihres Akku Freischneiders und Rasentrimmers.

### BESTIMMUNGSGEMÄSSE VERWENDUNG

Der Freischneider/Rasentrimmer ist nur für den Gebrauch von Erwachsenen vorgesehen, die die Bedienungsanleitung gelesen und verstanden haben und als verantwortlich für ihre Handlungen erachtet werden können.

Das Produkt ist ausschließlich zur Verwendung in einem gut belüfteten Bereich im Freien vorgesehen. Aus Sicherheitsgründen muss das Produkt immer mit beiden Händen sicher gehalten werden.

Das Produkt mit montiertem Fadenkopf (und entsprechender Schutzvorrichtung) ist zum Schneiden von langem Gras, Unkraut, und ähnlicher Vegetation auf bzw. knapp über Bodenebene vorgesehen. Wenn es mit dem Tri-Arc™ Messer (und entsprechender Schutzvorrichtung) ausgestattet ist, kann es auch Büsche schneiden.

Die Schnittebene muss ungefähr parallel zu Oberfläche des Untergrunds liegen. Das Produkt darf nicht zum Schneiden oder Trimmen von Hecken, Büschen oder anderer Vegetation verwendet werden, wobei die Schnittebene sich nicht parallel zur Oberfläche des Untergrunds befindet.

#### ⚠️ WARNUNG

Die Sicherheitsregeln müssen befolgt werden, wenn dieses Produkt benutzt wird. Lesen Sie für Ihre eigene Sicherheit und die von Außenstehenden diese Anweisungen bevor Sie das Produkt benutzen. Bitte bewahren Sie die Anweisungen zum späteren Nachschlagen auf.

#### ⚠️ WARNUNG

Dieses Produkt ist nicht für Kinder oder Personen mit verminderten physischen, geistigen oder sensorischen Fähigkeiten geeignet. Kinder müssen beaufsichtigt werden, so dass gewährleistet ist, dass sie nicht mit dem Gerät spielen.

### UNTERWEISUNG

- Erlauben Sie niemals Kindern oder Personen, die mit diesen Anweisungen nicht vertraut sind, das Produkt zu benutzen.
- Lesen Sie die Anweisungen sorgfältig durch. Machen Sie sich mit den Bedienelementen und dem ordnungsgemäßen Gebrauch des Produktes vertraut.
- Halten Sie den Bereich beim Trimmen frei von allen Zuschauern, Kindern, und Haustieren. Stoppen Sie das Produkt, wenn jemand diesen Bereich betritt.
- Arbeiten Sie niemals mit dem Produkt, wenn Sie müde oder krank sind, oder unter dem Einfluss von Alkohol, Drogen oder Medikamenten stehen.

- Benutzen Sie das Produkt nur zum Schneiden von Gras und schwachem Gebüsch. Nicht für andere Zwecke verwenden.
- Vergessen Sie nie, dass der Benutzer verantwortlich ist für Unfälle und Gefahren die an Eigentum Fremder oder an anderen Personen entstehen könnte.

### VORBEREITUNG

- Tragen Sie bei Einsatz dieses Geräts vollen Augen- und Gehörschutz. Bei Arbeiten in Bereichen wo die Gefahr herabfallender Objekte besteht, muss Kopfschutz getragen werden.
- Ein Gehörschutz kann die Fähigkeit des Benutzers Warntöne zu hören einschränken.
- Achten Sie besonders auf mögliche Gefahren um und in dem Arbeitsbereich.
- Tragen Sie lange, dicke Hosen, Stiefel und Handschuhe. Tragen Sie keine locker sitzende Kleidung, kurze Hosen und keinen Schmuck. Gehen Sie nicht barfuß.
- Binden Sie lange Haare zurück, so dass diese sich über Schulterhöhe befinden um zu verhindern, dass sie sich in beweglichen Teilen verfangen.
- Überprüfen Sie vor jeder Benutzung und nach jedem Schlag, dass keine Teile beschädigt sind. Ein defekter Schalter oder ein anderes Teil, das beschädigt oder abgenutzt ist, sollte durch den autorisierten Kundendienst ordnungsgemäß repariert oder ausgetauscht werden.
- Stellen Sie sicher, dass der Schneidaufsatz ordnungsgemäß montiert und befestigt ist.
- Bedienen Sie das Produkt niemals ohne dass alle Schutzvorrichtungen, Abweiser und Griffe ordnungsgemäß und sicher befestigt sind.
- Achten Sie auf die Umgebung in der Sie arbeiten. Halten Sie den Arbeitsbereich frei von Drähten, Stöcken, Steinen und Unrat, die emporgeschleudert werden können, wenn sie von dem Schneider getroffen werden.

### ALLGEMEINE SICHERHEITSWARNUNGEN

#### ⚠️ WARNUNG

**Lesen Sie alle Sicherheitshinweise und Anweisungen.** Versäumnisse bei der Einhaltung der Sicherheitshinweise und Anweisungen können elektrischen Schlag, Brand und/oder schwere Verletzungen verursachen.

Bewahren Sie alle Sicherheitshinweise und Anweisungen für die Zukunft auf. Der in den Sicherheitshinweisen verwendete Begriff „Elektrowerkzeug“ bezieht sich auf netzbetriebene Elektrowerkzeuge (mit Netzkabel) und auf akkubetriebene Elektrowerkzeuge (ohne Netzkabel).

**ARBEITSPLATZSICHERHEIT**

- Halten Sie Ihren Arbeitsbereich sauber und gut beleuchtet. Unordnung oder unbeleuchtete Arbeitsbereiche können zu Unfällen führen.
- Arbeiten Sie mit dem Elektrowerkzeug nicht in explosionsgefährdeter Umgebung, in der sich brennbare Flüssigkeiten, Gase oder Stäube befinden. Elektrowerkzeuge erzeugen Funken, die den Staub oder die Dämpfe entzünden können.
- Halten Sie Kinder und andere Personen während der Benutzung des Elektrowerkzeugs fern. Bei Ablenkung können Sie die Kontrolle über das Gerät verlieren.

**ELEKTRISCHE SICHERHEIT**

- Der Anschlussstecker des Elektrowerkzeuges muss in die Steckdose passen. Der Stecker darf in keiner Weise verändert werden. Verwenden Sie keine Adapterstecker gemeinsam mit schutzgeerdeten Elektrowerkzeugen. Unveränderte Stecker und passende Steckdosen verringern das Risiko eines elektrischen Schlages.
- Vermeiden Sie Körperkontakt mit geerdeten Oberflächen wie von Rohren, Heizungen, Herden und Kühlschränken. Es besteht ein erhöhtes Risiko durch elektrischen Schlag, wenn Ihr Körper geerdet ist.
- Setzen Sie dieses Produkt nicht Regen oder feuchten Bedingungen aus. Das Eindringen von Wasser in ein Elektrowerkzeug erhöht das Risiko eines elektrischen Schlages.
- Das Stromkabel nicht überstrapazieren. Verwenden Sie das Kabel niemals, um das Werkzeug damit zu tragen, zu ziehen oder den Stecker aus der Steckdose zu ziehen. Halten Sie das Kabel fern von Hitze, Öl, scharfen Kanten oder sich bewegenden Geräteteilen. Beschädigte oder verwickelte Kabel erhöhen das Risiko eines elektrischen Schlages.
- Wenn Sie mit einem Elektrowerkzeug im Freien arbeiten, verwenden Sie nur Verlängerungskabel, die auch für den Außenbereich zugelassen sind. Die Anwendung eines für den Außenbereich geeigneten Verlängerungskabels verringert das Risiko eines elektrischen Schlages.
- Wenn der Betrieb des Elektrowerkzeuges in feuchter Umgebung nicht vermeidbar ist, verwenden Sie einen Fehlerstromschutzschalter. Der Einsatz eines Fehlerstromschutzschalters vermindert das Risiko eines elektrischen Schlages.

**SICHERHEIT VON PERSONEN**

- Seien Sie aufmerksam, achten Sie darauf, was Sie tun und gehen Sie mit Vernunft an die Arbeit mit einem Elektrowerkzeug. Benutzen Sie kein Elektrowerkzeug, wenn Sie müde sind oder unter dem Einfluss von Drogen, Alkohol oder Medikamenten stehen. Ein Moment der Unachtsamkeit beim Gebrauch des Elektrowerkzeuges

kann zu ernsthaften Verletzungen führen.

- Tragen Sie persönliche Schutzausrüstung. Tragen Sie immer Augenschutz. Das Tragen persönlicher Schutzausrüstung, wie Staubmaske, rutschfeste Sicherheitsschuhe, Schutzhelm oder Gehörschutz, je nach Art und Einsatz des Elektrowerkzeuges, verringert das Risiko von Verletzungen.
- Vermeiden Sie eine unbeabsichtigte Inbetriebnahme. Vergewissern Sie sich, dass das Elektrowerkzeug ausgeschaltet ist, bevor Sie es an die Stromversorgung und/oder den Akku anschließen, es aufnehmen oder tragen. Das Tragen von Elektrowerkzeugen mit dem Finger am Schalter bzw. von an das Stromnetz angeschlossenen Elektrowerkzeugen bei eingeschaltetem Schalter kann zu Unfällen führen.
- Entfernen Sie Einstellwerkzeuge oder Schraubenschlüssel, bevor Sie das Elektrowerkzeug einschalten. Ein Werkzeug oder Schlüssel, der sich in einem drehenden Geräteteil befindet, kann zu Verletzungen führen.
- Vermeiden Sie eine abnormale Körperhaltung. Sorgen Sie für einen sicheren Stand und halten Sie jederzeit das Gleichgewicht. Dadurch können Sie das Elektrowerkzeug in unerwarteten Situationen besser kontrollieren.
- Tragen Sie geeignete Kleidung. Tragen Sie keine weite Kleidung oder Schmuck. Halten Sie Haare, Kleidung und Handschuhe fern von sich bewegenden Teilen. Lockere Kleidung, Schmuck oder lange Haare können von sich bewegenden Teilen erfasst werden.
- Wenn Staubabsaug- und -auffangeinrichtungen montiert werden können, vergewissern Sie sich, dass diese angeschlossen sind und richtig verwendet werden. Verwendung einer Staubabsaugung kann Gefährdungen durch Staub verringern.

**VERWENDUNG UND BEHANDLUNG DES ELEKTROWERKZEUGES**

- Betätigen Sie das Werkzeug nicht mit Gewalt. Verwenden Sie für Ihre Arbeit das dafür bestimmte Elektrowerkzeug. Mit dem passenden Elektrowerkzeug arbeiten Sie besser und sicherer im angegebenen Leistungsbereich.
- Verwenden Sie das Elektrowerkzeug nicht, falls es sich durch den Schalter nicht ein- und ausschalten lässt. Ein Elektrowerkzeug, das sich nicht mehr ein- oder ausschalten lässt, ist gefährlich und muss repariert werden.
- Ziehen Sie den Netzstecker aus der Steckdose und/oder nehmen den Akku aus dem Elektrowerkzeug, bevor Sie irgendwelchen Einstellungen vornehmen, Zubehör wechseln oder Elektrowerkzeuge lagern. Diese Vorsichtsmaßnahme verhindert den unbeabsichtigten Start des Elektrowerkzeuges.

- **Bewahren Sie unbenutzte Elektrowerkzeuge außerhalb der Reichweite von Kindern auf. Lassen Sie Personen das Gerät nicht benutzen, die mit diesem nicht vertraut sind oder diese Anweisungen nicht gelesen haben.** Elektrowerkzeuge sind gefährlich, wenn sie von unerfahrenen Personen benutzt werden
- **Pflegen Sie Elektrowerkzeuge mit Sorgfalt. Kontrollieren Sie, ob bewegliche Teile einwandfrei funktionieren und nicht klemmen, ob Teile gebrochen oder so beschädigt sind, dass die Funktion des Elektrowerkzeuges beeinträchtigt ist. Lassen Sie beschädigte Teile vor dem Einsatz des Gerätes reparieren.** Viele Unfälle haben ihre Ursache in schlecht gewarteten Elektrowerkzeugen.
- **Halten Sie Schneidwerkzeuge scharf und sauber.** Sorgfältig gepflegte Schneidwerkzeuge mit scharfen Schneidkanten verklemmen sich weniger und sind leichter zu führen.
- **Verwenden Sie Elektrowerkzeug, Zubehör, Einsatzwerkzeuge usw. entsprechend diesen Anweisungen. Berücksichtigen Sie dabei die Arbeitsbedingungen und die auszuführende Tätigkeit.** Der Gebrauch von Elektrowerkzeugen für andere als die vorgesehenen Anwendungen kann zu gefährlichen Situationen führen.

#### VERWENDUNG UND BEHANDLUNG DES AKKUWERKZEUGES

- **Laden Sie die Akkus nur in Ladegeräten auf, die vom Hersteller empfohlen werden.** Für ein Ladegerät, das für eine bestimmte Art von Akkus geeignet ist, besteht Brandgefahr, wenn es mit anderen Akkus verwendet wird.
- **Verwenden Sie nur die dafür vorgesehenen Akkus in den Elektrowerkzeugen.** Der Gebrauch von anderen Akkus kann zu Verletzungen und Brandgefahr führen.
- **Halten Sie den nicht benutzten Akku fern von Büroklammern, Münzen, Schlüsseln, Nägeln, Schrauben oder anderen kleinen Metallgegenständen, die eine Überbrückung der Kontakte verursachen könnten.** Ein Kurzschluss zwischen den Akkukontakten kann Verbrennungen oder Feuer zur Folge haben.
- **Bei falscher Anwendung kann Flüssigkeit aus dem Akku austreten; vermeiden Sie den Kontakt damit. Bei zufälligem Kontakt mit Wasser abspülen.** Wenn die Flüssigkeit in die Augen kommt, nehmen Sie zusätzlich ärztliche Hilfe in Anspruch.
- **Austretende Akkuflüssigkeit kann zu Hautreizungen oder Verbrennungen führen.**

#### SERVICE

- Lassen Sie Ihr Elektrowerkzeug nur von qualifiziertem Fachpersonal und nur mit Original-Ersatzteilen reparieren. Damit wird sichergestellt, dass die

Sicherheit des Elektrowerkzeugs erhalten bleibt.

#### ⚠ WARNUNG

Verwenden Sie niemals Schneidmittel oder Zubehör, die nicht von Ryobi in diesem Handbuch angegeben sind. Dies schließt die Verwendung von metallischen mehrteiligen Schwenkketten und Schlegelmesser ein. Diese Gegenstände sind dafür bekannt, während der Verwendung zu brechen und stellen für den Bediener oder umstehende Personen eine hohe Verletzungsgefahr dar.

#### ⚠ WARNUNG

Inspektion nach einem Fall oder anderen Schlägen Inspizieren Sie das Produkt gründlich und identifizieren jegliche Beeinflussung oder Beschädigung. Jedes beschädigte Teil sollte durch den autorisierten Kundendienst ordnungsgemäß repariert oder ausgetauscht werden.

#### RASENTRIMMER SICHERHEITSWARNUNGEN

- In einigen Regionen können Vorschriften die Benutzung dieses Produkts einschränken. Lassen Sie sich von Ihrer örtlichen Behörde beraten.
- Erlauben Sie niemals Kindern oder Personen, die mit diesen Anweisungen nicht vertraut sind, das Produkt zu benutzen.
- Benutzen Sie das Produkt nicht bei schlechtem Licht, nur bei Tageslicht.
- Vermeiden Sie den Einsatz in nassem Gras.
- Gehen Sie nicht rückwärts, wenn Sie das Produkt benutzen.
- Halten Sie immer das Gleichgewicht. Vermeiden Sie eine abnormale Körperhaltung. Das könnte zu Gleichgewichtsverlust führen. Achten Sie bei der Arbeit an Hängen auf einen festen Stand. Gehen Sie immer, laufen Sie nie.
- Benutzen Sie das Produkt nicht, wenn die Gefahr von Blitzschlag besteht.
- Setzen Sie dieses Produkt nicht Regen oder feuchten Bedingungen aus. Ein Eindringen von Wasser in ein Gerät erhöht die Gefahr eines Stromschlags.
- Halten Sie Zuschauer, Kinder und Haustiere 15 m von dem Arbeitsbereich fern. Stoppen Sie das Produkt, wenn jemand diesen Bereich betritt.
- Halten Sie den Schneidaufsatz unterhalb der Hüfthöhe.
- Bedienen Sie das Produkt niemals mit beschädigten oder ohne angebauten Schutzvorrichtungen.
- Verwenden Sie niemals Metallfaden-Ersatz.
- Halten Sie Ihre Hände und Füße weit von der Schneidearbeitsfläche entfernt, vor allem wenn der Motor läuft.



- Vorsicht, die Schneidelemente drehen sich weiter, nachdem der Motor ausgeschaltet ist.
  - Achten Sie auf Objekte die durch das Schneidwerkzeug geschleudert werden können. Entfernen Sie allen Unrat, wie kleine Steine, Kies und andere Fremdkörper von dem Arbeitsbereich, bevor Sie die Arbeit beginnen. Drähte oder Schnüre können in dem Schneidwerkzeug verwickelt werden.
  - Ausschalten und vom Stromnetz trennen bevor:
    - Sie das Produkt warten
    - Sie das Produkt unbeaufsichtigt zurücklassen
    - Sie Blockierungen entfernen
    - Sie Zubehörteile wechseln
    - auf Schäden überprüfen, nachdem ein Gegenstand getroffen wurde
    - Sie auf Schäden überprüfen, wenn das Produkt anfängt, ungewöhnlich zu vibrieren
    - Sie Wartungsarbeiten durchführen
    - Sie das Messer entfernen
    - Sie das Messer montieren
  - Das kleine Messer am Schneidgarniturschutz ist zum Kürzen des neu verlängerten Schneidfadens auf die richtige Länge konstruiert, für sichere und optimale Leistung. Es ist sehr scharf, berühren Sie es nicht, besonders beim Reinigen des Werkzeugs.
  - Stellen Sie immer sicher, dass die Belüftungsöffnungen frei von Ablagerungen sind.
  - Stellen Sie sicher, dass der Schneidaufsatz ordnungsgemäß montiert und befestigt ist.
  - Stellen Sie sicher, dass alle Schutzvorrichtungen, Abweiser und Griffe ordnungsgemäß und sicher befestigt sind.
  - Verändern Sie das Produkt nicht in irgendeiner Weise. Der Akku wird nur bei einem längeren Einsatz des Geräts warm.
  - Verwenden Sie nur den Ersatz-Schneidfaden des Herstellers. Benutzen Sie keinen anderen Schneidaufsatz.
- Vergewissern Sie sich vor jedem Gebrauch, dass das Messer richtig eingebaut ist und sicher befestigt ist.
- Verwenden Sie nur das Ersatz-TriArc Messer des Herstellers. Benutzen Sie keinen anderen Schneidaufsatz.
  - Schneiden Sie niemals Material mit mehr als 13 mm Durchmesser.
  - Ihr Freischneider ist mit einem Gurt ausgestattet. Stellen Sie den Schultergurt sorgfältig ein, damit er das Gewicht der Maschine komfortabel auf Ihrer rechten Seite hält.
  - Ermitteln Sie, wie der Schnellverschluss funktioniert und üben Sie die Benutzung, bevor Sie die Maschine benutzen. Dessen richtige Benutzung kann im Notfall schwere Verletzungen verhindern. Tragen Sie niemals zusätzliche Kleidung über dem Schultergurt oder schränken den Zugriff zu dem Schnellverschluss anderweitig ein.
  - Decken Sie das Messer mit dem Transportschutz ab, bevor Sie das Gerät lagern oder während des Transports. Entfernen Sie immer den Transportschutz, bevor Sie das Gerät benutzen. Wenn dieser nicht entfernt wird, kann er weg geschleudert werden, sobald das Messer sich bewegt.
  - Gehen Sie sehr vorsichtig vor, wenn Sie das Messer mit dem Produkt benutzen. Ein Rückschlag des Messers ist die Reaktion, die auftreten kann, wenn das sich drehende Messer auf etwas trifft, das es nicht schneiden kann. Durch diesen Kontakt kann das Messer für einen Moment stoppen und das Gerät plötzlich von dem getroffenen Gegenstand „stoßen“. Diese Reaktion kann so heftig sein, dass der Benutzer die Kontrolle über das Gerät verliert. Das Messer kann ohne Vorwarnung zurückschlagen, wenn es verhakt, hängenbleibt oder klemmt. Das ist wahrscheinlicher in Bereichen, in denen das zu schneidende Material schwer zu sehen ist.
  - Zum einfachen Schneiden und größerer Sicherheit, nähern Sie sich dem zu schneidende Gras von rechts nach links an. Wenn die Messer unvermittelt auf einen Gegenstand oder Holzstock stößt, kann dadurch der Rückschlag des Messers minimiert werden. Beide Hände müssen immer eingesetzt werden, um das Produkt zu kontrollieren.

### SICHERHEITSHINWEISE ZUM FREISCHNEIDER

- Zusätzlich zu den oben genannten Hinweisen, sind diese zusätzlichen Anweisungen anzuwenden, wenn Sie das Produkt im Freischneider-Modus verwendet wird.
- Verwenden Sie Arbeitshandschuhe beim Installieren oder Entfernen von Messern, um Verletzungen durch scharfe Kanten zu vermeiden.
- Versuchen Sie nicht das Messer anzuhalten, wenn sie sich dreht.
- Es besteht die Gefahr schwerer Verletzungen durch Kontakt mit dem sich bewegenden Messer. Halten Sie das Gerät mit beiden Händen unter Kontrolle, bis das Messer zu einem vollständigen Halt gekommen ist.
- Ersetzen Sie jedes Messer das beschädigt wurde.

### TRANSPORT UND LAGERUNG

- Stoppen Sie die Maschine und lassen sie abkühlen, bevor Sie sie lagern oder transportieren.
- Entfernen Sie alle Fremdkörper vom Produkt. Wenn ein Schneidaufsatz angebracht ist, bedecken Sie ihn mit dem Transportschutz.
- Zur Lagerung immer vom Stromnetz trennen und das Netzkabel aufrollen. Lagern Sie das Gerät an einem trockenen und gut belüfteten Ort, der Kindern keinen Zugang bietet. Von korrodierend wirkenden Stoffen, wie Gartenchemikalien und Enteisungssalzen, fernhalten.



Nicht im Freien lagern.

- Sichern Sie die Maschine beim Transport gegen Bewegung oder fallen, um Verletzungen und Beschädigung der Maschine zu verhindern.

## WARTUNG UND PFLEGE

### ⚠️ WARNUNG

Verwenden Sie ausschließlich original Ersatzteile, Zubehör und Aufsätze des Herstellers. Nichtbefolgung kann mögliche Verletzungen oder schlechte Leistung verursachen und Ihre Garantie ungültig machen.

### ⚠️ WARNUNG

Service und Wartung des Gerätes erfordert besonderen Sorgfalt und Kenntnisstand und sollte nur durch qualifiziertes Personal durchgeführt werden. Für Wartung und Reparaturen müssen Sie das Produkt zu Ihrem nächsten autorisierten Kundendienst bringen. Beim Service sollten Sie nur originale Ersatzteile benutzen.

- Schalten Sie das Gerät aus und entfernen Sie den Akku vor der Durchführung von Wartungs- oder Reinigungsarbeiten.
- Sie dürfen die in dieser Bedienungsanleitung beschriebenen Einstellungen und Reparaturen durchführen. Kontaktieren Sie Ihren autorisierten Kundendienst für andere Reparaturen.
- Verwenden Sie als Ersatzfaden nur Nylonfaden mit einem Durchmesser wie in der Tabelle dieser Bedienungsanleitung beschrieben.
- Bringen Sie das Produkt nach dem Herausschieben neuen Fadens immer erst wieder in die normale Betriebsposition, bevor Sie es einschalten.
- Reinigen Sie das Produkt nach jeder Benutzung mit einem weichen, trockenen Lappen. Jedes beschädigte Teil sollte durch den autorisierten Kundendienst ordnungsgemäß repariert oder ausgetauscht werden.
- Überprüfen Sie Bolzen, Muttern und Schrauben immer wieder ob alles fest angezogen wird so dass das Produkt in einem sicheren Zustand ist.

## RESTRISIKEN

Sogar wenn das Produkt wie vorgeschrieben benutzt wird, ist es unmöglich ein gewisses Restrisiko vollständig zu beseitigen. Die folgenden Gefahren können bei der Benutzung entstehen, und der Benutzer sollte besonders auf folgende Punkte achten:

- Durch Vibrationen verursachte Verletzungen. Halten Sie das Produkt an den dafür vorgesehenen Griffen und schränken Sie die Arbeitszeit und Belastung ein.
- Lärm kann zu Gehörschäden führen.

Tragen Sie einen Gehörschutz und schränken Sie die Belastung ein.

- Durch geschleuderte Objekte verursachte Verletzung

Tragen Sie immer einen Augenschutz.

Kontakt mit dem Schneidwerkzeug. Stellen Sie sicher, dass die Messerabdeckung montiert ist, wenn das Produkt nicht benutzt wird. Halten Sie immer Hände und Füße von den Messern fern.

Ein Rückschlag kann bei der Verwendung des Freischneidegerätes erfolgen. Stellen Sie eine ordnungsgemäße Steuerung mit beiden Händen an den vorgesehenen Griffen sicher. Lesen und befolgen Sie die Anweisungen in diesem Handbuch, um die Rückschlaggefahr zu reduzieren.

Gefahr fallender Objekte: Tragen Sie während dem Schneiden von Büschen einen Kopfschutz, wenn die Gefahr fallender Objekte besteht.

## RISIKOVERRINGERUNG

Vibrationen von in der Hand gehaltenen Produkten können bei einigen Personen zu einem Zustand, der Raynaud-Syndrom genannt wird, führen. Symptome sind u.a. Kribbeln, Taubheitsgefühl und episodische Weißfärbung der Finger und treten normalerweise bei Kälte auf. Man geht davon aus, dass ererbte Faktoren, Kälte und Feuchtigkeit, Essgewohnheiten, Rauchen und Arbeitsweise zur Entwicklung dieser Symptome beitragen. Der Anwender kann Maßnahmen ergreifen, um die Auswirkungen der Vibrationen möglicherweise zu verringern:

- Halten Sie den Körper bei Kälte warm. Tragen Sie beim Betrieb des Gerätes Handschuhe, um Hände und Handgelenke warm zu halten. Berichten zu Folge ist kaltes Wetter ein wesentlicher Faktor, der zum Raynaud-Syndrom beiträgt.
- Betätigen Sie sich nach jedem Einsatz körperlich, um den Blutkreislauf zu steigern.
- Machen Sie regelmäßig Pausen. Beschränken Sie die Beanspruchung pro Tag.

Sollten bei Ihnen Symptome dieses Zustands auftreten, stellen Sie unverzüglich den Betrieb ein und suchen Sie in Hinsicht auf die Symptome einen Arzt auf.

### ⚠️ WARNUNG

Verletzungen können durch lange Benutzung eines Werkzeugs entstehen oder verschlimmert werden. Machen Sie regelmäßig Pause, wenn Sie ein Werkzeug für lange Zeit benutzen.

## MACHEN SIE SICH MIT IHREM PRODUKT VERTRAUT

Siehe Seite 154.

1. Oberer Schaft
2. Fahrradgriff

3. Ein-/Ausschalter
4. Auslöser
5. Schaftverbindung
6. Unterer Schaft
7. Grasabweiser
8. Schneidmesser
9. Schneidfaden
10. Fadenausgabeknopf
11. Spulenabdeckung
12. Spule
13. Öse
14. Einschaltperre
15. Variable Geschwindigkeitskontrolle
16. Vorderer Haltegriff
17. Schneidgarniturschutz
18. Tri-Arc Messer
19. Transportschutz
20. Akku
21. Knopf der Akkulasche
22. Ladekabel
23. Ladegerät

## SYMBOLE AUF DEM PRODUKT



Sicherheitswarnung



Lesen und verstehen Sie alle Anweisungen, bevor Sie das Produkt benutzen, befolgen Sie alle Warnungen und Sicherheitsanweisungen.



Tragen Sie Augen, Gehör und Kopfschutz.



Tragen Sie rutschfeste Sicherheitsschuhe, wenn Sie dieses Produkt benutzen.



Tragen Sie rutschfeste, strapazierfähige Handschuhe.



Nicht Regen oder feuchten Bedingungen aussetzen.



Dieses Produkt ist nicht zur Verwendung mit einem sägeartigen Messer geeignet.



Drehrichtung und maximale Drehzahl des Schaftes für den Schnittaufsatz.



Ziehen: Schnellverschluss



Achten Sie auf geschleuderte oder fliegende Objekte. Halten Sie andere Personen auf sicherer Entfernung vom Produkt.



Achten Sie auf geschleuderte oder fliegende Objekte. Halten Sie alle Zuschauer, besonders Kinder und Haustiere, mindestens 15 m vom dem Arbeitsbereich fern.



Halten Sie die Hände von dem Fadenabschneider fern.



Achten Sie auf Stoßkraft des Messers.



Die Tri-Arc Klinge ist für dieses Produkt geeignet und ist zum Schneiden von Unkraut und Gebüsch geeignet



Elektrische Geräte sollten nicht mit dem übrigen Müll entsorgt werden. Bitte entsorgen Sie diese an den entsprechenden Entsorgungsstellen. Wenden Sie sich an die örtliche Behörde oder Ihren Händler, um Auskunft über die Entsorgung zu erhalten.



Dieses Gerät entspricht allen gesetzlichen Normen des Landes der europäischen Union, in dem es gekauft wurde.



EurAsian Konformitätszeichen



Ukrainisches Prüfzeichen



Garantierter Schalleistungspegel für Freischneider



Garantierter Schalleistungspegel für Rasentrimmer

## SYMBOLE IN DIESER BEDIENUNGSANLEITUNG



Anschließen an das Stromnetz



Trennen vom Stromnetz



Teile oder Zubehör getrennt erhältlich



## Hinweis

Mit den folgenden Symbolen wird die Bedeutung der verschiedenen Risikostufen, die mit dem Produkt einhergehen, dargestellt.

### **GEFAHR**

Weist auf eine unmittelbare gefährliche Situation hin, die bei Missachtung zu Tod oder ernsthafter Verletzung führen kann.

### **WARNUNG**

Bezeichnet eine mögliche Gefahrensituation, die, falls nicht vermieden, zu schweren Verletzungen führen kann.

### **VORSICHT**

Weist auf eine mögliche gefährliche Situation hin, die bei Missachtung zu einer leichten oder mittleren Verletzung führen kann.

### **VORSICHT**

Ohne Sicherheitswarnsymbol

Bezeichnet eine Situation die zu Sachbeschädigungen führen kann.

Seguridad, desempeño y fiabilidad han sido las prioridades en el diseño de su cortasetos inalámbrico e desbrozadora.

### USO PREVISTO

El uso de la desbrozadora/cortamalezas está destinado exclusivamente a personas adultas que hayan leído y comprendido las instrucciones y las advertencias de este manual, y que puedan considerarse responsables de sus acciones. El producto solo está pensado para utilizarse al aire libre en una zona bien ventilada. Por razones de seguridad, es necesario controlar el producto correctamente utilizando las dos manos.

El producto equipado con el cabezal de la desbrozadora (y la protección adecuada) está destinado a cortar césped alto, hierbas con mucho tallo y vegetación similar a nivel del suelo o cerca de este. Si se utiliza con la cuchilla Tri-Arc™ (y la protección adecuada), también sirve para cortar arbustos.

El plano de corte debe ser aproximadamente paralelo a la superficie del suelo. Este producto no debería ser utilizado para cortar o recortar setos, arbustos u otro tipo de vegetación cuando el plano de corte no es paralelo a la superficie del suelo.

### ⚠ ADVERTENCIA

Al utilizar el producto, deben seguirse las normas de seguridad. Por su propia seguridad y la de los que le rodean, lea estas instrucciones antes de utilizar el producto. Guarde las instrucciones para usarlas en el futuro.

### ⚠ ADVERTENCIA

Este producto no debe ser utilizado por niños o personas con discapacidad física, mental o sensorial. Los niños deben ser supervisados para evitar que jueguen con el aparato.

### APRENDIZAJE

- Nunca permita que niños o personas no familiarizadas con las instrucciones utilicen este producto.
- Lea las instrucciones cuidadosamente. Familiarícese con los mandos y con la correcta utilización del aparato.
- Mantenga el área libre de espectadores, niños y animales mientras esté podando. Apague el aparato si alguien entra en el área.
- No utilice el producto cuando esté cansado, enfermo o bajo la influencia del alcohol, las drogas o medicamentos.
- Utilice el producto sólo para cortar hierba y maleza ligera. No la use para ninguna otra finalidad.
- Tenga presente que el operario o usuario es responsable de los accidentes o riesgos que le puedan ocurrir a otras personas o a su propiedad.

### PREPARACIÓN

- Use gafas de protección total para los ojos y oídos al utilizar este producto. Si trabaja en un área donde existe un riesgo de caída de objetos, deberá utilizar casco.
- La protección auditiva puede restringir la capacidad del operador de oír los sonidos de alarma.
- Hay que tener mucha atención a los peligros potenciales dentro y alrededor del área de trabajo.
- Use guantes, botas y pantalones resistentes. No utilice ropa ancha, pantalones cortos, joyas ni lo utilice con los pies descalzos.
- Recoja el cabello largo para que quede por encima del nivel de los hombros y evitar así que se enmarañe en cualquier pieza móvil.
- Antes de su uso y después de algún golpe, compruebe que no hay piezas dañadas. Los interruptores defectuosos o cualquier otra pieza dañada o gastada deben ser sustituidos o reparados adecuadamente por un establecimiento de servicio autorizado.
- Asegúrese de que el accesorio de corte está correctamente instalado y ajustado.
- Nunca use el producto excepto si todas las protecciones, deflectores y mangos están unidos de forma correcta y segura.
- Considere el ambiente en donde está trabajando. Mantenga la zona de trabajo libre de cables, palos, piedras y suciedad que, si son golpeados por la cuchilla, puedan convertirse en objetos lanzados.

### ALERTA DE SEGURIDAD GENERAL

### ⚠ ADVERTENCIA

**Lea todas las advertencias de peligro e instrucciones.** El incumplimiento de las advertencias e instrucciones puede provocar descargas eléctricas, incendios y/o lesiones graves.

Conserve estas advertencias e instrucciones para poder consultarlas posteriormente. El término "herramienta eléctrica" que aparece en las advertencias se refiere a su herramienta eléctrica (con cable) o con batería (sin cables).

### ZONA DE TRABAJO

- **Mantenga el área de trabajo limpia y bien iluminada.** Las zonas oscuras o poco despejadas pueden provocar accidentes.
- **No utilice herramientas eléctricas en entornos inflamables, como puede ser en presencia de líquidos inflamables, gases o polvo.** Las herramientas eléctricas crean chispas que pueden inflamar el polvo o el humo.
- **Mantenga a los niños y personas ajenas alejadas de la zona en la que está utilizando la herramienta eléctrica.** Las distracciones pueden hacer que pierda

el control de la herramienta.

## SEGURIDAD ELÉCTRICA

- **Las conexiones de la herramienta eléctrica deben corresponder a los de la toma de corriente. No modifique el enchufe de ninguna manera. No utilice ningún adaptador con herramientas eléctricas conectadas a tierra.** Utilizar enchufes sin modificar y tomas correspondientes reducirán el riesgo de descargas eléctricas.
- **Evite el contacto corporal con superficies conectadas a tierra, como tuberías, radiadores, estufas y refrigeradores.** Existe un mayor riesgo de descargas eléctricas si su cuerpo está conectado a tierra.
- **No exponga este producto a la lluvia o humedad.** Si entra agua en una herramienta eléctrica podría aumentar el riesgo de descargas eléctricas.
- **Utilice correctamente el cable. No utilice el cable para llevar, tirar o desconectar el cable de la herramienta. Mantenga el cable lejos del calor, aceite, bordes afilados o partes móviles.** Los cables dañados o enredados aumentan el riesgo de descargas eléctricas.
- **A la hora de utilizar herramientas eléctricas al aire libre, utilice un alargador adecuado para uso en exteriores.** El uso de un cable adecuado para uso en exteriores reduce el riesgo de descargas eléctricas.
- **Si es inevitable utilizar una herramienta eléctrica en un lugar húmedo, utilice un dispositivo de corriente residual (RCD) como protección.** El uso de un RCD reduce el riesgo de descargas eléctricas.

## SEGURIDAD PERSONAL

- **Manténgase alerta y atento a lo que está haciendo y utilice el sentido común al utilizar una herramienta eléctrica. No utilice una herramienta eléctrica cuando esté cansado o bajo la influencia de drogas, alcohol o medicamentos.** En un momento de descuido, mientras utiliza herramientas eléctricas podrían ocurrir lesiones personales graves.
- **Utilice un equipo de protección personal. Utilice siempre dispositivos de protección ocular.** El equipo de protección como las máscaras de polvo, calzado antideslizante de seguridad, cascos rígidos o unas condiciones adecuadas reducirán los daños corporales.
- **Evite la puesta en marcha accidental de la herramienta. Asegúrese de que el interruptor está en posición OFF antes de conectar la herramienta a una toma de corriente y/o batería, y levantar o transportar la herramienta.** El transporte de herramientas con el dedo sobre el interruptor o la conexión de herramientas eléctricas con el interruptor en ON puede causar accidentes.
- **Extraiga cualquier llave de ajuste antes de encender la herramienta eléctrica.** Una llave que se encuentra

conectada a una pieza de rotación puede resultar en lesiones personales.

- **No se extienda demasiado. Afírmese bien en sus piernas y no extienda demasiado el brazo.** Esto permite un mejor control de la herramienta eléctrica en situaciones inesperadas.
- **Lleve ropa adecuada. No use ropa holgada o joyas. Mantenga su cabello, ropa y guantes lejos de las piezas móviles.** La ropa suelta, joyas o el cabello largo pueden quedar atrapados en las piezas móviles.
- **Si existen dispositivos para la conexión de accesorios de recogida y extracción de polvo, asegúrese de que están conectados y que se utilizan adecuadamente.** El uso de accesorios de recogida de polvo puede reducir riesgos relacionados con el polvo.

## USO Y CUIDADO DE LA HERRAMIENTA ELÉCTRICA

- **No fuerce el producto. Utilice la herramienta correcta para su aplicación.** La herramienta correcta hará un trabajo más seguro y mejor para el que ha sido diseñada.
- **No utilice la herramienta eléctrica si el interruptor de encendido no responde.** Cualquier herramienta que no puede ser controlada con el interruptor de encendido es peligrosa y debe ser reparada.
- **Desconecte el enchufe de la fuente de alimentación y/o extraiga la batería de la herramienta eléctrica antes de hacer cualquier ajuste, cambiar accesorios o almacenar herramientas eléctricas.** Estas medidas preventivas de seguridad reducen el riesgo de arranque accidental de la herramienta.
- **Coloque las herramientas eléctricas a ralentí fuera del alcance de los niños y no permita que personas no familiarizadas con la herramienta o con estas instrucciones la utilicen.** Las herramientas eléctricas son peligrosas en manos de personas no capacitadas.
- **Realice labores de mantenimiento de las herramientas eléctricas. Compruebe la alineación o unión de las piezas móviles, si existe rotura de piezas o cualquier otro problema que pueda afectar al funcionamiento de la herramienta. Si alguna pieza está dañada, la herramienta eléctrica debería repararse antes de volver a utilizarla.** Muchos accidentes son causados por un mantenimiento deficiente.
- **Mantenga las herramientas de corte bien afiladas y limpias.** Las herramientas de corte con bordes de corte afilados que tienen un mantenimiento adecuado reducen su deterioro y son más fáciles de controlar.
- **Utilice la herramienta, accesorios, partes eléctricas, etc., de acuerdo con estas instrucciones, teniendo en cuenta las condiciones de trabajo y el trabajo que se va a realizar.** Utilizar la herramienta eléctrica para realizar trabajos diferentes a los que esta herramienta está destinada podría dar como resultado una situación peligrosa.

**USO Y CUIDADO DE LA HERRAMIENTA**

- **Recargue la unidad solamente con el cargador especificado por el fabricante.** Podría haber un riesgo de incendio cuando se utilice un cargador con una batería para la que no está diseñado.
- **Utilice sólo herramientas eléctricas específicamente diseñadas para ellos.** Utilizar cualquier otro tipo de baterías puede causar lesiones o un riesgo de incendio.
- **Cuando la batería no está en uso, manténgala alejada de otros objetos metálicos como clips, monedas, llaves, clavos, tornillos u otros objetos metálicos pequeños que puedan crear una conexión desde una terminal a otra.** Causar un cortocircuito en los terminales de la batería puede causar quemaduras o un incendio.
- **En condiciones abusivas, podría salir expulsado líquido de la batería, por lo que debería evitar el contacto con éste. Si se produce un contacto accidental, enjuáguese las manos con agua.** Si el líquido entra en contacto con los ojos, acuda inmediatamente al médico.
- **Si el líquido es expulsado de la batería y entra en contacto con él, podría causar irritación o quemaduras.**

**MANTENIMIENTO**

- Su herramienta eléctrica debería ser reparada por personas cualificadas, que deberían utilizar únicamente piezas de repuesto idénticas. Esto garantizará la seguridad a la hora de utilizar la herramienta eléctrica.

**⚠ ADVERTENCIA**

No utilice nunca medios o accesorios de corte que no especifique Ryobi en este manual. Esto incluye el uso de cadenas giratorias de metal de varias piezas y cuchillas trilladoras. Está demostrado que estos elementos se rompen durante su uso y presentan un alto riesgo de lesión grave para el usuario o las personas que se encuentran cerca.

**⚠ ADVERTENCIA**

Inspección tras caídas u otros impactos Inspeccione cuidadosamente el producto para identificar cualquier problema o daño. Cualquier pieza dañada debe ser sustituida o reparada adecuadamente por un centro de servicio autorizado.

**ADVERTENCIAS DE SEGURIDAD DE LA PODADORA**

- Algunas regiones tienen normas que limitan el uso del producto. Consulte con su autoridad local para obtener información.
- Nunca permita que niños o personas no familiarizadas con las instrucciones utilicen este producto.
- Use el producto de día o bajo luz artificial bien iluminada.
- Evite el uso en hierba mojada.
- No camine hacia atrás mientras use este producto.
- Mantenga su pisada firme y su equilibrio. No se extienda demasiado. Si lo hace, podrá perder el equilibrio. Asegúrese siempre de mantener el equilibrio y de no situarse en pendientes. Camine, nunca corra.
- No utilice el aparato cuando haya riesgo de relámpago.
- No exponga este producto a la lluvia o humedad. Si entra agua en el aparato, esto aumentará el riesgo de descargas eléctricas.
- No utilice a los transeúntes, a los niños y a los animales a 15 m de distancia de la zona de operación. Apague el aparato si alguien entra en el área.
- Mantenga el accesorio de corte por debajo del nivel de la cintura.
- No utilice el producto con las cubiertas dañadas o sin tenerlas colocadas.
- Nunca adapte una línea de reemplazo de metal.
- Mantenga las manos y los pies lejos de los medios cortantes en todo momento y especialmente cuando encienda el motor.
- Tenga cuidado. Los elementos de corte siguen rotando después de apagar el motor.
- Tenga cuidado con los objetos lanzados por el medio de corte. Limpie la suciedad como pequeñas piedras, gravilla y otros objetos extraños de la zona de trabajo antes de empezar a operar. Los alambres o las cuerdas pueden enredarse en las líneas de corte.
- Desactivar y desconectar del suministro eléctrico antes de:
  - mantenimiento
  - dejar el producto desatendido
  - limpieza y desobstrucción de bloqueo de su producto
  - cambiar accesorios
  - comprobar si hay daños después de golpear un objeto
  - comprobar si hay daños en caso de que el producto empiece a vibrar de un modo anormal
  - realizar operaciones de mantenimiento
  - retirar la hoja
  - instalar la hoja
- La pequeña cuchilla encajada en el protector del césped está diseñada para cortar la nueva línea ampliada a la longitud correcta a fin de obtener un rendimiento seguro y óptimo. Es muy afilada, no la toque, especialmente cuando limpie la herramienta.
- Asegúrese siempre de que las aberturas de ventilación estén libres de residuos.
- Asegúrese de que el accesorio de corte está correctamente instalado y ajustado.
- Asegúrese de que todas las protecciones, deflectores y

mangos están unidos de forma correcta y segura.

- No modifique el producto en modo alguno. la batería se calienta únicamente cuando se utiliza la herramienta de forma prolongada.
- Utilice sólo el hilo de corte de recambio del fabricante. No utilice ningún tipo de pieza cortante.

### NORMAS DE SEGURIDAD DEL CORTAMALEZAS

- Además de las normas anteriores, es conveniente seguir estas instrucciones adicionales al utilizar el producto en modo cortamalezas.
- Utilice guantes de alta protección al instalar o quitar las cuchillas, ya que tienen bordes afilados.
- No intente tocar o detener la cuchilla durante la rotación.
- Una cuchilla en movimiento puede generar graves daños. Controle adecuadamente el producto con ambas manos hasta que la cuchilla haya dejado de girar completamente.
- Sustituya cualquier cuchilla dañada. Compruebe siempre si la lámina está correctamente colocada y sujeta de forma segura antes de cada utilización.
- Utilice sólo hojas Tri-Arc de repuesto del fabricante. No utilice ningún tipo de pieza cortante.
- No corte ningún material con más de 13 mm (0.5 in.) de diámetro.
- El cortamalezas está equipado con un arnés. Ajuste cuidadosamente el arnés para ayudar a soportar el peso de la herramienta de forma cómoda y cuélguela hacia su derecha.
- Identifique el mecanismo de liberación rápida y practique utilizándolo antes de empezar a usar la máquina. Su uso correcto puede evitar lesiones graves en caso de emergencia. No use ropa adicional sobre el arnés, ya que podría limitar el acceso al mecanismo de liberación rápida.
- Cubra la lámina con la debida protección antes de guardarla, o durante el transporte de la misma. Retire siempre la protección de la cuchilla antes de utilizar la unidad. Se no se retirase la protección de la cuchilla, ésta podría salir despedida cuando la cuchilla comience a girar.
- Tenga extrema precaución cuando utilice la cuchilla con el aparato. La cuchilla giratoria puede rebotar al entrar en contacto con algo que no puede cortar. Este contacto puede hacer que la cuchilla pare por un instante, y de repente "impulse" la unidad lejos del objeto con el que chocó. Esta reacción puede ser suficientemente violenta y causar la pérdida de control de la unidad, por parte del operador. Puede producirse un rebote inesperado si la cuchilla se engancha, se detiene o se tuerce. Es más posible que esto ocurra en áreas in las que es difícil ver el material que se está cortando.
- Para cortar de forma fácil y segura acérquese a las

hierbas que corta de derecha a izquierda. En caso de que se encuentre con un objeto inesperado o material leñoso esto podría minimizar el contragolpe de la cuchilla. Para controlar este aparato deben utilizarse ambas manos.

### TRANSPORTE Y ALMACENAMIENTO

- Pare el producto y deje que se enfríe antes de guardarla o transportarla.
- Limpie todo el material extraño que pueda permanecer en el producto. Si hay una hoja de corte, cúbrala con el protector de hoja.
- Para su almacenamiento, desconectar siempre del suministro eléctrico y enrollar el cable. Guarde en una zona seca y bien ventilada, a la que no puedan acceder los niños. Evite el contacto con agentes corrosivos tales como productos químicos de jardinería o sales descongelantes. No almacenar al aire libre.
- Para transportar el producto, sujételo de modo que no se mueva ni se caiga para evitar lesiones personales o daños al producto.

### MANTENIMIENTO

#### ⚠ ADVERTENCIA

Utilice sólo piezas y accesorios de recambio originales del fabricante. Si no lo hace podría ocurrir un mal funcionamiento, podrían producirse daños o podría quedar anulada la garantía.

#### ⚠ ADVERTENCIA

Las reparaciones requieren tener mucho cuidado y conocimiento y sólo debe realizarse por un técnico de servicio calificado. Para obtener servicio, le sugerimos que devuelva el producto al centro de servicio autorizado más cercano para reparación. Al realizar una reparación, sólo use piezas de reemplazo idénticas.

- Apague y quite la batería antes de realizar ninguna labor de mantenimiento ni de limpieza.
- Usted puede realizar los ajustes y reparaciones descritos en este manual del usuario. Para otro tipo de reparaciones póngase en contacto con un agente de servicios autorizado.
- Para sustituir el hilo utilice solo hilo con filamento de nylon del diámetro descrito en la tabla de características de este manual.
- Después de extender un nuevo hilo de corte, asegúrese siempre de que el producto está en su posición de funcionamiento normal antes de encenderla.
- Limpiar el producto con un paño suave seco después de cada uso. Cualquier pieza dañada debe ser sustituida o reparada adecuadamente por un centro de servicio autorizado.



- Verifique a intervalos frecuentes si todas las tuercas, pernos y tornillos están apretados apropiadamente para asegurarse de que el producto esté en buenas condiciones de trabajo.

### RIESGOS RESIDUALES:

Incluso cuando se utiliza el producto según las instrucciones, sigue siendo imposible eliminar por completo ciertos factores de riesgo residuales. Los siguientes peligros pueden surgir en el uso y el operador debe prestar especial atención para evitar lo siguiente:

- Lesiones por vibración.  
Sujete el producto por los mangos destinados al efecto y limite el tiempo de funcionamiento y de exposición.
- Daños auditivos causados por la exposición al ruido.  
Use protección para los oídos y limite el tiempo de exposición.
- Lesiones causadas por detritos lanzados  
Use siempre protección para los ojos.

Contacto con los dedos de recorte. Compruebe que las protecciones de las láminas están puestas cuando el producto no está siendo utilizado. Mantenga las manos y los pies apartados de las láminas en todas las circunstancias. Se puede producir un retroceso al usar el cortamalezas. Asegúrese de que tiene un control adecuado utilizando ambas manos sobre los manillares designados. Lea y cumpla las indicaciones de este manual para reducir el riesgo de retroceso.

Riesgo de caída de objetos: Durante el recorte de arbustos, el uso de protección para el cabezal se recomienda si existe riesgo de caída de objetos.

### REDUCCIÓN DEL RIESGO

Se ha demostrado que las vibraciones provenientes de productos que se sostienen con las manos pueden contribuir a la aparición de una enfermedad denominada Síndrome de Raynaud en determinados individuos. Los síntomas pueden incluir hormigueo, entorpecimiento y decoloración de los dedos, generalmente aparentes cuando tiene lugar una exposición al frío. Se considera que los factores hereditarios, exposición al frío y a la humedad, dieta, tabaquismo y prácticas de trabajo contribuyen al desarrollo de estos síntomas. Existen medidas que pueden ser tomadas por el operador para reducir los efectos de vibración:

- Mantenga su cuerpo caliente durante el tiempo frío. Al manipular el producto, utilice guantes para mantener las manos y las muñecas calientes. Hay informes que indican que el tiempo frío es un gran factor que contribuye al síndrome de Raynaud.
- Después de cada período de funcionamiento, realice ejercicios para aumentar la circulación sanguínea.
- Haga pausas de trabajo frecuentes. Limite la cantidad de exposición por día.

Si siente alguno de los síntomas de esta enfermedad, interrumpa inmediatamente el uso y consulte a su médico estos síntomas.

### ⚠ ADVERTENCIA

El uso prolongado de una herramienta puede causar o agravar lesiones. Al utilizar cualquier herramienta durante períodos prolongados asegúrese de tomar descansos regulares.

### CONOZCA SU PRODUCTO

Véase la página 154.

1. Eje superior
2. Manillar
3. Interruptor Marcha
4. Gatillo
5. Acoplamiento del eje
6. Eje inferior
7. Deflector de hierba
8. Cuchilla de corte
9. Hilo de corte
10. Cabezal con alimentación por "golpe"
11. Cubierta del carrete
12. Bobina
13. Ojal
14. Botón de bloqueo
15. Gatillo de velocidad variable
16. Mango delantero
17. Protección de la cuchilla
18. Hoja Tri-Arc
19. Protector de la cuchilla
20. Batería
21. Botón de sujeción de la batería
22. Cable del cargador
23. Cargador

### SÍMBOLOS EN EL PRODUCTO



Advertencia



Lea y comprenda todas las instrucciones antes de manipular el producto, respete las advertencias y las instrucciones de seguridad.



Póngase protección para los ojos, los oídos y la cabeza.



Utilice calzado de seguridad antideslizante cuando utilice este producto.



Use guantes de trabajo resistentes, antideslizantes.



No la exponga a la lluvia o a lugares húmedos.



Este producto no está preparada para su uso con una hoja de tipo sierra dentada.



Dirección de rotación y velocidad máxima del eje para el accesorio de corte.



Tire: Pestaña de liberación rápida



Tenga cuidado con los objetos volátiles o lanzados. Mantenga a los espectadores a una distancia segura del producto.



Tenga cuidado con los objetos volátiles o lanzados. Mantenga a todos los espectadores, especialmente a los niños y las mascotas, por lo menos a 15 metros de la zona de trabajo.



Mantenga las manos apartadas de la hoja de corte.



Tenga precaución con el impulso de la cuchilla.



La cuchilla Tri-Arc es apropiada para este producto y adecuada para cortar hierbas con mucho tallo y vides



Los productos eléctricos de desperdicio no deben desecharse con desperdicios caseros. Por favor recíclelos donde existan dichas instalaciones. Compruebe con su autoridad local o minorista para reciclar.



Esta herramienta responde a todas las normas reglamentarias del país de la UE donde se ha comprado.



Certificado EAC de conformidad



Marca de conformidad ucraniana



Nivel de potencia acústica garantizado para el cortamalezas



Nivel de potencia acústica garantizado para el cortasetos

## SÍMBOLOS EN ESTE MANUAL



Conectar a la toma de corriente



Desconectar de la toma de corriente



Las piezas o accesorios se venden por separado



Nota

Los siguientes símbolos y palabras detallan los niveles de cuidado necesarios para usar este producto.

### ⚠ PELIGRO

Indica una situación potencialmente peligrosa que, de no evitarse, puede ocasionar la muerte o heridas de gravedad.

### ⚠ ADVERTENCIA

Indica una situación peligrosa que, de no evitarse, puede ocasionar la muerte o heridas de gravedad.

### ⚠ ADVERTENCIA

Indica una situación potencialmente peligrosa que, de no evitarse, puede ocasionar heridas leves.

### ADVERTENCIA

Sin símbolo de alerta de seguridad

Indica una situación que puede causar daños en las cosas.

E' stata data massima priorità a sicurezza, prestazioni e affidabilità nel design di questo decespugliatore e tagliaerba senza cavi.

### UTILIZZO RACCOMANDATO

Il tagliabordi/decspugliatore è destinato ad essere utilizzato solo da adulti che hanno letto e compreso le istruzioni e le avvertenze contenute in questo manuale e possono essere considerati responsabili delle loro azioni. Prodotto adatto solo per essere utilizzato all'esterno in aree ben ventilate. Per ragioni di sicurezza, l'utensile deve essere adeguatamente controllato utilizzando sempre due mani.

Il prodotto dotato di una testina a filo e la relativa protezione è pensato per tagliare l'erba lunga, le erbacce spesse e la vegetazione simile a livello del terreno. Il prodotto con lama Tri-Arc™ (adottando apposite misure di guardia) può anche essere utilizzato per tagliare cespugli.

Il piano di taglio dovrebbe essere approssimativamente parallelo alla superficie del terreno. Il prodotto non deve essere utilizzato per tagliare o sfrondare siepi, cespugli o altra vegetazione in cui il piano di taglio non è parallelo alla superficie del terreno.

### ⚠ AVVERTENZA

Quando si utilizza questo prodotto, seguire eventuali norme di sicurezza. Per la propria sicurezza e per la sicurezza degli osservatori, leggere queste istruzioni prima di mettere in funzione il prodotto. Conservare owle istruzioni per eventuali riferimenti futuri.

### ⚠ AVVERTENZA

Prodotto non inteso per essere utilizzato da bambini o persone con ridotte capacità fisiche, mentali o sensoriali. Supervisionare i bambini per assicurarsi che non giochino con il dispositivo.

### UTILIZZO

- Tenere il prodotto lontano dalla portata dei bambini e di persone che non ne conoscono l'uso o le istruzioni di funzionamento.
- Leggere attentamente le istruzioni. Familiarizzare con tutti i controlli e con l'utilizzo corretto del prodotto.
- Tenere osservatori, bambini e animali lontani durante le operazioni di lavoro. Arrestare il prodotto nel caso in cui eventuali osservatori entrino nell'area di lavoro.
- Non mettere mai in funzione il prodotto se si è stanchi, malati o sotto l'influenza di alcool, droga o medicinali.
- Utilizzare il prodotto solo per tagliare erba ed erbacce. Non utilizzare per altri scopi.
- Ricordare che l'operatore sarà responsabile di eventuali lesioni o danni a persone o cose.

### PREPARAZIONE

- Indossare occhiali e cuffie di protezione mentre si utilizza questo prodotto. Nel caso in cui si sia lavorando n un'area dove vi sia rischio di caduta di oggetti, indossare sempre una protezione per la testa.
- Le cuffie di protezione potranno limitare la capacità dell'operatore di sentire avvertimenti e segnalazioni sonore.
- Fare particolare attenzione a potenziali rischi attorno e all'interno dell'area di lavoro.
- Indossare pantaloni lunghi e resistenti, stivali e guanti da lavoro. Non indossare abbigliamento con parti svolazzanti, pantaloni corti, gioielli di ogni genere né utilizzare il dispositivo a piedi scalzi.
- Assicurare i capelli lunghi al di sopra delle spalle per evitare che rimangano impigliati nelle parti in movimento.
- Prima dell'utilizzo e dopo ogni impatto, controllare che non vi siano parti danneggiate. Un interruttore difettoso o qualsiasi parte danneggiata o consumata dovrebbe essere accuratamente riparata o sostituita da un servizio autorizzato.
- Assicurarsi che l'accessorio di taglio sia accuratamente installato e serrato.
- Non mettere mai in funzione il prodotto a meno che tutti gli schermi, i deflettori e i manici siano correttamente e saldamente montati.
- Non utilizzare l'elettrotensile in ambienti umidi o in presenza di acqua. Tenere l'area di lavoro pulita, rimuovendo sempre cavi, bastoni, pietre e detriti che, se incastrati nell'utensile, potranno venire scagliati dalla stessa.

### AVVERTENZE GENERALI DI SICUREZZA

#### ⚠ AVVERTENZA

**Leggere tutte le avvertenze di sicurezza e le istruzioni.** La mancata osservanza di tutte le istruzioni potrà causare scosse elettriche, incendi e/o gravi lesioni personali.

Conservare le presenti avvertenze ed istruzioni per poterle consultare in seguito. Il termine "elettrotensile" nelle avvertenze fa riferimento a un elettrotensile che funziona con una spina (con cavo) o a batterie (senza cavo).

### AMBIENTE DI LAVORO

- **Mantenere l'area di lavoro pulita e ben illuminata.** Aree di lavoro disordinate o non illuminate adeguatamente potranno causare incidenti.
- **Non mettere in funzione gli elettrotensili in atmosfere esplosive, come in presenza di liquidi infiammabili, gas o polvere.** Gli elettrotensili creano scintille che possono causare incendi a contatto con polveri e fumi.

- **Tenere bambini ed eventuali osservatori lontani mentre si mette in funzione l'elettrotensile.** Eventuali distrazioni potranno causare una perdita di controllo.

#### SICUREZZA ELETTRICA

- **La spina dell'elettrotensile deve corrispondere alla presa. Non modificare la spina in alcun modo. Non utilizzare spine adattatrici con elettrotensili con messa a terra (presa di terra).** Spine non modificate e prese corrispondenti ridurranno il rischio di scosse elettriche.
- **Evitare il contatto del corpo con superfici con messa a terra come tubi, radiatori, piani cottura e refrigeratori.** Rischio aumentato di scosse elettriche se il corpo viene collegato con messa a terra.
- **Non esporre il prodotto a pioggia o umidità.** Nel caso in cui dell'acqua entrerà nell'elettrotensile il rischio di scosse elettriche aumenterà.
- **Non sottoporre a sforzi il cavo dell'alimentazione. Non trasportare né tirare o scollegare l'elettrotensile dal cavo. Tenere il cavo lontano da calore, olio, angoli appuntiti o parti in movimento.** Cavi danneggiati o intrecciati potranno far aumentare il rischio di scosse elettriche.
- **Quando si mette in funzione un elettrotensile all'esterno, utilizzare una prolunga adatta all'esterno.** Utilizzare un cavo adatto agli esterni per ridurre il rischio di scosse elettriche.
- **Nel caso in cui non si possa fare a meno di mettere in funzione un elettrotensile in un luogo umido, utilizzare un dispositivo di corrente residua (RCD).** Utilizzare un RCD ridurrà il rischio di scosse elettriche.

#### SICUREZZA PERSONALE

- **Mantenere sempre l'attenzione e utilizzare buon senso quando si utilizza un elettrotensile. Non utilizzare un elettrotensile se stanchi o sotto l'influenza di droghe, alcool o farmaci.** Un momento di disattenzione durante le operazioni potrà risultare in gravi lesioni personali.
- **Utilizzare equipaggiamento di protezione personale. Indossare sempre occhiali di protezione.** Utilizzare sempre equipaggiamento di protezione come maschere per la polvere, calzature antiscivolo, caschi o cuffie di protezione per ridurre rischi di lesioni alla persona.
- **Prevenire l'avvio accidentale. Assicurarsi che l'interruttore sia sulla posizione off (spento) prima di collegare l'utensile all'alimentazione e/o al gruppo batterie, o prima di afferrare e trasportare l'utensile.** Trasportare elettrotensili tenendo un dito sull'interruttore o con l'elettrotensile acceso potrà causare incidenti.
- **Rimuovere eventuali chiavi o dispositivi di regolazione prima di accendere l'elettrotensile.** Una chiave o un dispositivo di blocco collegato a una

parte rotante dell'utensile potrà risultare in gravi lesioni personali.

- **Non protendersi. Rimanere bene in equilibrio sulle gambe e non distendere troppo lontano le braccia.** Ciò permetterà un miglior controllo dell'elettrotensile in situazioni inaspettate.
- **Indossare un abbigliamento adatto. Non utilizzare abiti con parti svolazzanti o gioielli. Tenere capelli, vestiti e guanti lontani dalle parti in movimento.** Abiti con parti svolazzanti, gioielli o capelli lunghi potranno rimanere impigliati nelle parti in movimento.
- **Nel caso in cui vengano forniti dispositivi per l'estrazione e la raccolta della polvere, assicurarsi che gli stessi siano collegati e utilizzati correttamente.** Utilizzare il sacchetto di raccolta della polvere può ridurre rischi collegati alla polvere.

#### UTILIZZO E MANUTENZIONE ELETTROTENSILI

- **Non forzare il prodotto. Utilizzare l'elettrotensile corretto per il proprio lavoro.** L'elettrotensile corretto svolgerà in maniera migliore e più sicura il lavoro per il quale è stato progettato.
- **Non utilizzare l'elettrotensile se l'interruttore non si accende e spegne.** Un elettrotensile che non può essere controllato dall'interruttore è pericoloso e deve essere riparato.
- **Scollegare la presa dall'alimentazione e/o il gruppo batterie dall'elettrotensile prima di svolgere le eventuali regolazioni, cambiare gli accessori o riporre elettrotensili.** Queste misure di sicurezza preventive ridurranno il rischio di avvio dell'elettrotensile.
- **Riporre elettrotensili lontano dalla portata dei bambini e non permettere a persone che non conoscano il funzionamento dell'elettrotensile o queste istruzioni di metterlo in funzione.** Gli elettrotensili possono essere pericolosi se utilizzati da personale non preparato.
- **Svolgere sempre le operazioni di manutenzione sull'elettrotensile. Controllare l'eventuale allineamento scorretto o blocco delle parti in movimento, la rottura di parti e qualsiasi altra condizione che potrà influenzare il funzionamento dell'elettrotensile. In caso di danni far riparare l'elettrotensile prima di utilizzarlo.** Elettrotensili sui quali non sono state svolte le dovute operazioni di manutenzione possono essere causa di incidenti.
- **Mantenere tutti gli utensili affilati e appuntiti.** Utensili per operazioni di taglio con parti taglienti sui quali sono state svolte le corrette operazioni di manutenzione non si bloccheranno e saranno più facili da controllare.
- **Utilizzare l'elettrotensile, i suoi accessori, le punte ecc. assieme a queste istruzioni tenendo conto delle condizioni di lavoro e del lavoro da svolgere.** Utilizzare l'elettrotensile per operazioni diverse da quelle indicate potrà causare situazioni pericolose.

## UTILIZZO E MANUTENZIONE DI UN UTENSILE A BATTERIE

- **Ricaricare solo con il caricatore indicato dalla ditta produttrice.** Un caricatore adatto per un tipo di batterie potrà creare un rischio di incendio se utilizzato con un altro gruppo batterie.
- **Utilizzare elettrooutensili solo con i gruppi batteria indicati.** L'utilizzo di gruppi batteria diversi da quelli indicati potrà causare rischi di lesioni e incendi.
- **Quando il gruppo batterie non viene utilizzato, tenerlo lontano da oggetti in metallo come fermagli, monete, chiavi, chiodi, viti o altri piccoli oggetti che potranno fare da tramite da un terminale all'altro.** Cortocircuitare i terminali della batteria assieme potrà causare scottature o incendi.
- **Se sottoposto a stress, la batteria potrà perdere dei liquidi; evitare il contatto. Se si entra accidentalmente in contatto con tali liquidi, lavarsi immediatamente con acqua.** Se il liquido entra negli occhi, rivolgersi a un medico.
- **Il liquido espulso dalla batteria potrà causare irritazioni o scottature.**

## MANUTENZIONE

- Far svolgere la manutenzione da personale qualificato utilizzando solo parti di ricambio identiche. Ciò permette di mantenere la sicurezza dell'elettrooutensile.

### ⚠ AVVERTENZA

Non usare mezzi di taglio o accessori non specificati da Ryobi in questo manuale. Questo comprende l'uso di lame a cerniera in più parti e lame battenti. Questi elementi sono noti per rompersi durante l'uso e presentano un elevato rischio di gravi lesioni all'operatore o ai presenti.

### ⚠ AVVERTENZA

Controllare l'utensile dopo che è caduto o dopo altri tipi di impatti: Ispezionare il prodotto e identificare eventuali difetti o danni. Riparare eventuali parti danneggiate o farle sostituire da un centro servizi autorizzato.

## AVVERTENZE DI SICUREZZA DEL FILO DI TAGLIO.

- Alcune regioni hanno norme che limitano l'utilizzo del prodotto. Rivolgersi alle autorità locali per eventuali consigli.
- Tenere il prodotto lontano dalla portata dei bambini e di persone che non ne conoscono l'uso o le istruzioni di funzionamento.
- Utilizzare il prodotto con la luce del giorno o con una buona illuminazione artificiale.
- Evitare di utilizzare sull'erba bagnata.
- Non camminare all'indietro quando si utilizza l'utensile.
- Mantenere sempre un appoggio saldo e l'equilibrio. Non protendersi. Protendersi potrà causare una perdita di equilibrio. Mantenere l'equilibrio su terreni in discesa. Camminare, non correre mai.
- Non utilizzare il prodotto in caso di rischi di fulmini.
- Non esporre il prodotto a pioggia o umidità. Si aumenterà il rischio di scosse elettriche nel caso in cui l'acqua entri nel dispositivo.
- Tenere osservatori, bambini e animali ad almeno 15 metri di distanza dall'area delle operazioni. Arrestare il prodotto nel caso in cui eventuali osservatori entrino nell'area di lavoro.
- Tenere l'accessorio di taglio al di sotto dell'addome.
- Non mettere mai in funzione il prodotto con paralame danneggiati o senza paralame.
- Non sostituire mai un cavo di metallo.
- Tenere mani e piedi lontani dalle parti di taglio e soprattutto durante l'accensione del motore.
- Fare attenzione, gli elementi di taglio continueranno a ruotare dopo aver spento il motore
- Fare attenzione agli oggetti che potranno essere scagliati dalle parti di taglio dell'utensile. Rimuovere i detriti come piccole pietre, sassolini e simili dall'area di lavoro prima di avviare le operazioni. I cavi o fili potranno rimanere impigliati nelle parti di taglio.
- Spegnerne e scollegare dall'alimentazione prima di:
  - assistenza
  - Lasciare il prodotto incustodito
  - Pulire il prodotto o rimuovere un eventuale blocco
  - Cambio accessori
  - Controllare eventuali danni dopo aver colpito un oggetto
  - Controllare eventuali danni se il prodotto inizia a vibrare eccessivamente
  - Svolgere le operazioni di manutenzione
  - rimozione della lama
  - montaggio della lama
- La lama piccola montata sul paraerba è progettata per tagliare il nuovo filo di taglio alla corretta lunghezza per sicurezza e prestazioni ottimali. È molto affilato, non toccarlo soprattutto quando si pulisce l'utensile.
- Assicurarsi che le griglie di ventilazione siano pulite e rimuovere eventuali materiali di scarto rimasti intrappolati.
- Assicurarsi che l'accessorio di taglio sia accuratamente installato e serrato.
- Assicurarsi che paralame, deflettori e manici siano montati accuratamente e correttamente.
- Non modificare in alcun modo il prodotto. La batteria si scalda soltanto in caso di utilizzo prolungato dell'apparecchio.

- Utilizzare solo il filo di taglio di sostituzione della ditta produttrice. Non utilizzare alcun altro accessorio di taglio.

### NORME DI SICUREZZA DEL DECESPUGLIATORE

- Oltre alle suddette regole, rispettate le seguenti istruzioni aggiuntive quando si utilizza l'utensile come decespugliatore.
- Utilizzare guanti da lavoro mentre si montano o rimuovono le lame. Le lame sono molto affilate.
- Non tentare di toccare o arrestare le lame mentre sono in movimento.
- Rischio di gravi lesioni dal contatto con le lame in movimento. Mantenere il controllo fino a che le lame non abbiano smesso di ruotare completamente.
- Sostituire le lame danneggiate. Assicurarsi sempre che la lama sia stata correttamente inserita e correttamente collegata prima di ogni utilizzo.
- Utilizzare la lama Tri-Arc di ricambio fornita dalla ditta produttrice. Non utilizzare alcun altro accessorio di taglio.
- Non tagliare il materiale con un diametro superiore a 13 mm (0,5 in.).
- Il decespugliatore può essere fornito di cinghia da spalla. Regolare attentamente la cinghia per sostenere in maniera comoda il peso dell'utensile e lasciarlo poggiare sul lato destro del corpo.
- Identificare il meccanismo a rilascio veloce e fare pratica nell'utilizzarlo prima di mettere in funzione la macchina. L'utilizzo corretto può prevenire gravi lesioni in caso d'emergenza. Non indossare mai altri capi di abbigliamento sulla cinghia in caso contrario limitare l'accesso al meccanismo a rilascio veloce.
- Coprire la lama con il coprilame prima di riporre l'unità o durante il trasporto. Rimuovere sempre il proteggi lame prima di utilizzare l'unità. Se non viene rimosso, il proteggi lame potrà venire scagliato contro l'operatore nel momento in cui la lama inizierà a ruotare.
- Fare estrema attenzione quando si utilizza la lama con il prodotto. La lama potrà subire una spinta all'indietro se mentre ruota entra in contatto con del materiale che non riesce a tagliare. Il contatto potrà arrestare la lama per un istante e quindi "far scattare" l'unità dall'oggetto colpito. Questa reazione può essere abbastanza violenta da causare all'operatore una perdita di controllo dell'unità. La lama potrà rimbalzare senza avvertenze se scatta, si blocca o rimane impigliata. Ciò si verificherà con più probabilità in aree dove si trova del materiale difficile da tagliare.
- Per ragioni di sicurezza e per una maggiore facilità nel taglio, tagliare l'erba da destra a sinistra. La spinta all'indietro della lama potrà minimizzarsi se si incontra un oggetto inaspettato o del materiale legnoso. Utilizzare entrambe le mani per controllare questo dispositivo.

### TRASPORTO E RIPONIMENTO

- Arrestare l'utensile e lasciarlo raffreddare prima di riporlo o trasportarlo.
- Rimuovere eventuali materiali di scarto dal prodotto. Se viene montata una lama per il taglio, coperta con un proteggilama.
- Scollegare dall'alimentazione e arrotolare il cavo prima di riporre l'utensile. Riporre in un luogo asciutto e ben ventilato non accessibile ai bambini, tenerlo a distanza da agenti corrosivi, come le sostanze chimiche per il giardinaggio e il fondente chimico. Non riporre all'esterno.
- Per il trasporto, assicurare il prodotto contro ogni movimento o contro eventuali cadute per evitare lesioni a persone o danni al prodotto.

### MANUTENZIONE

#### ⚠ AVVERTENZA

Utilizzare solo parti di ricambio, accessori e dispositivi originali della ditta produttrice. In caso contrario si potranno causare lesioni, prestazioni basse e la garanzia verrà invalidata.

#### ⚠ AVVERTENZA

Le operazioni di manutenzione devono essere svolte con grande attenzione e accortezza solo da un tecnico qualificato. Si consiglia di riportare l'utensile al più vicino centro assistenza autorizzato per farlo riparare. Quando l'attrezzo viene riparato, utilizzare solo ricambi identici.

- Spegner l'utensile e rimuovere la batteria prima di effettuare qualsiasi intervento di manutenzione o pulizia.
- L'operatore potrà fare le regolazioni e riparazioni descritte nel presente manuale. Per ulteriori riparazioni, contattare il centro servizi autorizzato.
- Per sostituire il filo di taglio, utilizzare solo il filo in nylon del diametro descritto nella tabella delle specifiche del presente manuale.
- Dopo aver esteso il nuovo filo di taglio, riportare sempre il prodotto alla normale posizione di funzionamento prima dell'avvio.
- Dopo ogni uso, pulire il prodotto con un panno morbido e asciutto. Riparare eventuali parti danneggiate o farle sostituire da un centro servizi autorizzato.
- Controllare frequentemente dadi, bulloni e viti, verificando che siano stati assicurati correttamente per fare in modo che il prodotto garantisca condizioni di lavoro ottimali.

**RISCHI RESIDUI:**

Anche quando il prodotto viene utilizzato come indicato, è impossibile eliminare completamente alcuni fattori di rischio residuo. Si potranno verificare i seguenti rischi durante l'utilizzo e l'operatore dovrà prestare attenzione speciale per evitare quanto segue:

- Lesioni causate da vibrazioni.  
Reggere il prodotto dai manici e limitare i tempi di utilizzo e l'esposizione.
- Danni causati all'udito dall'esposizione al rumore.  
Indossare cuffie di protezione e limitare l'esposizione.
- Lesioni causate da materiale triturato e scagliato verso l'operatore.  
Indossare sempre protezioni per gli occhi.

Contatto con dispositivi di taglio. Assicurarsi che i coperchi delle lame siano stati sistemati quando il prodotto non viene utilizzato. Tenere sempre mani e piedi lontani dalle lame.

Quando si utilizza il decespugliatore ci possono essere contraccolpi. Garantire un adeguato controllo, utilizzando entrambe le mani sui manici designati. Leggere e seguire le istruzioni contenute nel presente manuale per contribuire a ridurre il rischio di contraccolpo.

Rischio di oggetti in caduta: Durante le operazioni di taglio, indossare caschi di protezione per la testa nel caso in cui vi sia il rischio di oggetti che possano cadere colpendo l'operatore.

**RIDUZIONE DEL RISCHIO**

Le vibrazioni ai prodotti manuali possono contribuire a causare una condizione che si chiama Sindrome di Raynaud in alcune persone. I sintomi, comprendenti formicolio, intorpidimento e perdita di colore alle dita, si verificano di solito quando ci si espone al freddo. Fattori ereditari, esposizione a freddo e umidità, una dieta scorretta, fumo e condizioni di lavoro non sicure potranno contribuire allo sviluppo di questi sintomi. È possibile prendere delle precauzioni per ridurre le vibrazioni:

- Tenere il corpo al caldo a basse temperature. Quando si utilizza il prodotto indossare guanti per tenere le mani e i polsi caldi. Le basse temperature contribuiscono a causare la Sindrome di Raynaud.
- Dopo aver utilizzato l'utensile per un certo periodo, fare degli esercizi per stimolare la circolazione del sangue.
- Fare spesso delle pause. Limitare la quantità di esposizione giornaliera.

Nel caso in cui si provino i sintomi di questa condizione, interrompere immediatamente l'utilizzo dell'utensile e consultare un dottore.

**⚠ AVVERTENZA**

Il prolungato utilizzo dell'utensile potrà causare o aggravare lesioni. Quando si utilizza questo utensile per periodi di tempo prolungati, assicurarsi di fare sempre delle pause regolari.

**FAMILIARIZZARE CON IL PRODOTTO**

Vedere pagina 154.

1. Albero superiore
2. Impugnatura a biciletta
3. Pulsante di messa in funzione
4. Grilletto
5. Accoppiamento asta
6. Alberto inferiore
7. Deflettore erba
8. Lama di taglio
9. Filo di taglio
10. Testina a filo
11. Coperchio bobina
12. Bobina
13. Occhiello
14. Interruttore di blocco
15. Grilletto velocità variabile
16. Manico anteriore
17. Paralame
18. Lama Tri-Arc
19. Protettore lama
20. Batteria
21. Tasto linguetta batteria
22. Cavo caricabatteria
23. Caricatore

**SIMBOLI SUL PRODOTTO**

Avvertenza



Leggere e comprendere tutte le istruzioni prima di mettere in funzione il prodotto, seguire tutte le istruzioni e le avvertenze di sicurezza.



Indossare protezione occhi, orecchie e testa.



Indossare calzature anti-scivolo con questo prodotto.



Indossare guanti anti-scivolo da lavoro.



Non esporre a pioggia o umidità.



Prodotto da non utilizzarsi con una lama dentata.



Direzione rotazionale e velocità massima dell'albero per l'accessorio di taglio.



Spinta: Linguetta a rilascio veloce





Fare attenzione ad oggetti scagliati o lanciati dall'utensile. Tenere gli osservatori a una distanza di sicurezza dal prodotto.



Fare attenzione ad oggetti scagliati o lanciati dall'utensile. Tenere lontani tutti gli osservatori, soprattutto bambini e animali, ad almeno 15 m dalla zona di funzionamento.



Tenere le mani lontane dalle lame di taglio.



Fare attenzione al rimbalzo della lama.



La lama Tri-Arc è idonea per questo prodotto e adatta per il taglio di erbacce e piante rampicanti morbide.



I prodotti elettrici non devono essere smaltiti con i rifiuti domestici. Vi sono strutture per smaltire tali prodotti. Informarsi presso il proprio Comune o rivenditore di sicurezza per smaltire adeguatamente tali rifiuti.



Questo apparecchio è conforme a tutte le norme vigenti nel paese dell'UE in cui è stato acquistato.



Marchio di conformità EurAsian



Marchio di conformità ucraino



Livello di potenza sonora garantito per il decespugliatore



Livello di potenza sonora garantito per il tagliabordi

## SIMBOLI NEL PRESENTE MANUALE



Collegare alla presa dell'alimentazione



Scollegare dalla presa dell'alimentazione



Parti o accessori venduti separatamente



Note

I seguenti simboli indicano i livelli di rischio associati a questo prodotto.

### ⚠ PERICOLO

Indica una situazione pericolosa che, se non evitata attentamente, potrà causare gravi lesioni alla persona o morte.

### ⚠ AVVERTENZA

Indica una situazione potenzialmente pericolosa che, se non evitata attentamente, potrà causare gravi lesioni alla persona o morte

### ⚠ ATTENZIONE

Indica una situazione potenzialmente pericolosa che, se non evitata attentamente, potrà causare lesioni minori o moderate alla persona.

### ATTENZIONE

Senza simbolo di allerta di sicurezza

Indica una situazione che potrà risultare in gravi danni a cose.

Veiligheid, prestaties en betrouwbaarheid kregen topprioriteit in het ontwerp van uw snoerloze struikruimer en grastrimmer.

### VOORGESCHREVEN GEBRUIK

Deze strimmer/bosmaaier mag uitsluitend worden gebruikt door volwassenen die de instructies en waarschuwingen in deze handleiding hebben gelezen en die verantwoordelijk kunnen worden gehouden voor hun acties. Het product is uitsluitend bedoeld voor gebruik buitenshuis in een goed geventileerd gebied. Omwille van veiligheidsredenen moet het product correct worden bediend door steeds twee handen te gebruiken.

Het product dat is uitgerust met de snoertrimmerkop (en de betreffende bescherming) is bedoeld voor het snijden van lang gras, stevig onkruid en gelijksoortige vegetatie op of boven grondniveau. Als dit product is uitgerust met het Tri-Arc™ mes (en bijbehorende beschermkap) kan het tevens struiken snoeien.

De maailijn moet ongeveer parallel met het grondoppervlak zijn. Het product mag niet worden gebruikt om heggen, struiken of andere begroeiing te snoeien of trimmen waar het maaiblاد niet parallel is met de grond.

#### ⚠ WAARSCHUWING

Wanneer u het product gebruikt, moeten de veiligheidsregels worden opgevolgd. Voor uw eigen veiligheid en deze van omstanders, dient u deze instructies te lezen voor u het product gebruikt. Bewaar de instructies voor later gebruik.

#### ⚠ WAARSCHUWING

Het product is niet geschikt voor gebruik door kinderen of personen met verminderde fysieke, mentale of zintuigelijke vermogens. Kinderen dienen onder toezicht te staan om ervoor te zorgen dat ze niet met het apparaat spelen.

### OPLEIDING

- Laat kinderen of mensen die niet vertrouwd zijn met de gebruiksaanwijzingen, het product nooit gebruiken.
- Lees zorgvuldig de instructies. Wees vertrouwd met alle bedieningen en het correct gebruik van het product.
- Houd het gebied vrij van omstanders, kinderen en huisdieren terwijl u trimt. Leg het product stil als iemand het werkgebied betreedt.
- Gebruik het product nooit wanneer u moe, ziek of onder de invloed bent van alcohol, drugs of medicijnen.
- Gebruik het product uitsluitend voor het maaien van gras en licht onkruid. Gebruik niet voor andere doeleinden.
- Hou er rekening mee dat de bediener of gebruiker verantwoordelijk is voor ongevallen of gevaren t.o.v. anderen of hun eigendom.

### VOORBEREIDING

- Draag volledige gezichts- en gehoorbescherming terwijl u het product bedient. Als u op een plaats werkt waar het risico bestaat op vallende voorwerpen moet een veiligheidshelm worden gedragen.
- Gehoorsbescherming kan de mogelijkheid dat de operator geluiden hoort, verkleinen.
- Wees bijzonder voorzichtig voor mogelijke gevaren rond en op de werkplek.
- Draag een zware lange broek, laarzen en handschoenen. Draag geen losse kleding, korte broek, juwelen van enig soort en gebruik het apparaat niet met blote voeten.
- Maak lang haar vast boven schouderhoogte om te voorkomen dat het verstrikt raakt in de bewegende delen.
- Voor gebruik en na elke impact controleert u op beschadigde onderdelen. Een defecte schakelaar of een ander onderdeel dat beschadigd of versleten is, moet deskundig worden hersteld of vervangen door een geautoriseerde onderhoudsdienst.
- Zorg ervoor dat het snijvoorzetstuk goed is geïnstalleerd en stevig is vastgemaakt.
- Gebruik het product nooit tenzij alle beschermers, deflectoren en handvatten correct en stevig zijn bevestigd.
- Hou rekening met de omgeving waarin u werkt. Houd het werkgebied vrij van kabels, stokken, stenen en afval dat door de maaier kan worden weggeworpen, indien geraakt.

### ALGEMENE VEILIGHEIDSWAARSCHUWINGEN

#### ⚠ WAARSCHUWING

**Lees alle veiligheidswaarschuwingen en instructies.** Wanneer niet de waarschuwingen en instructies niet opvolgt, kan dit leiden tot elektrische schok en/of ernstig letsel.

Bewaar deze waarschuwingen en voorschriften zorgvuldig om ze ook later te kunnen inzien. De term "elektrisch gereedschap" in de waarschuwingen verwijst naar gereedschap dat met de stroomtoevoer is verbonden (met snoer) of accu-aangedreven (snoerloos) gereedschap.

### WERKOMGEVING

- **Houd de werkplek schoon en goed verlicht.** Vervuilde of donkere plekken nodigen uit tot ongevallen.
- **Gebruik elektrische werktuigen niet in explosieve omgevingen, zoals in de aanwezigheid van ontvlambare vloeistoffen, gassen of stof.** Elektrisch gereedschap kan vonken veroorzaken die het stof of de gassen kunnen ontsteken.
- **Houd kinderen en omstanders weg terwijl u elektrisch gereedschap gebruikt.** Wanneer u wordt

afgeleid, kunt u de controle verliezen.

### ELEKTRISCHE VEILIGHEID

- **Stekkers van elektrisch gereedschap moeten overeenkomen met de contactdoos. Wijzig de stekker nooit. Gebruik geen adapters met geaarde elektrische werktuigen.** Niet-gewijzigde stekkers en overeenkomstige contactdozen zullen het risico op elektrische schok verminderen.
- **Vermijd lichaamscontact met een geaard oppervlak, zoals buizen, radiatoren, kookfornuizen en koelkasten.** Er bestaat een verhoogd risico voor elektrische schokken als uw lichaam is geaard.
- **Stel het product niet bloot aan regen of natte omstandigheden.** Water dat een elektrisch werktuig binnendringt, verhoogt het risico op elektrische schokken.
- **Misbruik het snoer niet. Gebruik het snoer nooit om het elektrisch werktuig te dragen, eraan te trekken of het uit de contactdoos te trekken. Houd het snoer weg van hitte, olie, scherpe randen of bewegende onderdelen.** Beschadigde of verstrikte snoeren verhogen het risico op elektrische schokken.
- **Gebruik een verlengsnoer geschikt voor buitenshuis gebruik wanneer u een elektrisch werktuig buitenshuis gebruikt.** Het gebruik van een snoer dat geschikt is voor buitenshuis gebruik, vermindert het risico op elektrische schokken.
- **Als het gebruik van een elektrisch werktuig op een vochtige plaats onvermijdelijk is, gebruikt u een contactdoos die beschermd is door een aardlekschakelaar.** Het gebruik van een aardlekschakelaar vermindert het risico op elektrische schokken.

### PERSONLIJKE VEILIGHEID

- **Blijf alert, kijk naar wat u doet en gebruik uw gezond verstand wanneer u elektrisch gereedschap gebruikt. Gebruik een elektrisch werktuig niet wanneer u moe of onder de invloed van drugs, alcohol of medicijnen bent.** Een ogenblik van onoplettendheid terwijl u elektrisch gereedschap gebruikt, kan leiden tot ernstige verwondingen.
- **Gebruik een persoonlijke beschermuitrusting. Draag altijd gehoorbescherming.** Beschermondere delen, zoals een stofmasker, antislipschoeisel, helm of gehoorbescherming dat op een geschikte manier wordt gebruikt, zal het risico op verwondingen verlagen.
- **Ongewenst starten voorkomen. Zorg ervoor dat de schakelaar zich in de uit-stand bevindt voor u de machine met een stroombron en/of accupack verbindt, de machine opheft of draagt.** Wanneer u elektrisch gereedschap draagt met de vinger op de schakelaar of wanneer het gereedschap met de stroombron is verbonden, kan dit leiden tot ongevallen.
- **Verwijder alle afstelsleutels voor u het elektrisch werktuig inschakelt.** Een sleutel die op een draaiend

onderdeel van het elektrisch gereedschap werd achtergelaten, kan leiden tot verwondingen.

- **Overrek u niet. Ga altijd stevig op uw benen staan en reik niet te ver weg met uw arm.** Dit maakt een betere controle van het werktuig in onverwachte omstandigheden mogelijk.
- **Draag geen wijde kleding, dassen of sieraden die klem kunnen raken en u naar de bewegende delen toe kunnen trekken. Draag geen losse kledij of juwelen. Houd uw haar, kledij en handschoenen weg van de bewegende onderdelen.** Losse kledij, juwelen of lang haar kan in bewegende onderdelen verstrikt raken.
- **Als er apparaten worden geleverd voor de verbinding met een stofextractie en verzamelfaciliteiten, zorg u ervoor dat deze zijn verbonden en goed worden gebruikt.** Het gebruik van een stofverzamelaar vermindert stof-gerelateerde gevaren.

### GEbruik VAN EN ZORG VOOR UW ELEKTRISCH GE-REEDSCHAP

- **Forceer het product niet. Gebruik het correcte werktuig voor uw toepassing.** Het juiste werktuig zal de taak beter en veiliger uitvoeren aan het tempo waarvoor het werd ontworpen.
- **Gebruik het elektrisch werktuig niet als de schakelaar het niet kan in- of uitschakelen.** Een elektrisch werktuig dat niet met behulp van de schakelaar kan worden bediend, is gevaarlijk en moet worden gerepareerd.
- **Trek de stekker uit de contactdoos en/of ontkoppel het accupack van het gereedschap voor u de machine afstelt, accessoires wisselt of het werktuig opbergt.** Zulke preventieve veiligheidsmaatregelen kunnen het risico op ongewenst starten van de machine verminderen.
- **Bewaar ongebruikt elektrisch gereedschap buiten het bereik van kinderen en niet-opgeleide personen die het gereedschap of deze gebruiksaanwijzingen niet kennen.** Elektrisch gereedschap is gevaarlijk in de handen van niet-opgeleide gebruikers.
- **Onderhoud elektrisch gereedschap. Controleer op verkeerde aflijning of verstrikt raken van bewegende delen, defecten van onderdelen en alle andere situaties die de werking van het werktuig kunnen beïnvloeden. Indien beschadigd, laat u het elektrisch gereedschap repareren voor gebruik.** Veel ongevallen worden veroorzaakt door slecht onderhouden elektrische werktuigen.
- **Houd de zaagwerktuigen scherp en schoon.** Correct onderhouden zaagwerktuigen met scherpe randen zijn minder geneigd om verstrikt te raken en kunnen makkelijker worden bestuurd.
- **Gebruik het werktuig, de accessoires en werktuigonderdelen, etc. in overeenstemming met deze instructies en houd rekening met de bedrijfsomstandigheden en het uit te voeren werk.**

Het gebruik van een elektrisch werktuig voor zaken die niet in het voorgeschreven gebruik zijn beschreven, kan leiden tot gevaarlijke situaties.

#### GEbruIK EN ONDERHOUD VAN HET ACCU AANGEDREVEN WERKTUIG

- **Herlaad enkel met de oplader die door de fabrikant is gespecificeerd.** Een oplader die voor een type accupack is geschikt kan een brandgevaar betekenen wanneer het met een ander accupack wordt gebruikt.
- **Gebruik elektrisch gereedschap uitsluitend met de specifiek toegewezen accupacks.** Het gebruik van andere accupacks kan leiden tot risico's op letsels en brand.
- **Wanneer het accupack niet wordt gebruikt, moet u het weg houden van andere metalen objecten, zoals papierclips, munten, sleutels, spijkers, schroeven of andere kleine metalen voorwerpen die een verbinding kan maken van een terminal naar een andere.** De batterijterminals kortsluiten kan leiden tot brandwonden of brand.
- **In oneigenlijke omstandigheden, kan een vloeistof uit de accu lekken; vermijd contact hiermee. Als per ongeluk contact voorkomt, spoelt u met water.** Als de vloeistof in contact komt met de ogen, dient u bijkomend medische hulp te raadplegen.
- **Vloeistof die uit de accu lekt, kan irritatie of brandwonden veroorzaken.**

#### ONDERHOUD

- Laat uw elektrisch gereedschap onderhouden door een gekwalificeerd onderhoudspersoon en gebruik hierbij uitsluitend identieke vervangonderdelen. Dit zal ervoor zorgen dat de veiligheid van het werktuig wordt behouden.

#### ⚠ WAARSCHUWING

Gebruik nooit een snijmiddel of accessoires die niet door Ryobi in deze handleiding zijn beschreven. Dit is inclusief het gebruik van metalen draaikettingen en dorsmessen uit meerdere delen. Deze onderdelen staan erom bekend om te breken tijdens gebruik en vormen een groot gevaar op letsel voor de gebruiker of omstanders.

#### ⚠ WAARSCHUWING

Controleer het apparaat nadat u het hebt laten vallen of bij impact. Controleer het apparaat grondig en ga alle defecten of schade na. Een beschadigd onderdeel moet door een geautoriseerd onderhoudscentrum goed worden gerepareerd of vervangen.

#### VEILIGHEIDSWAARSCHUWINGEN LIJNTRIMMER

- Enkele regio's hebben regels die het gebruik van het product beperken. Raadpleeg uw lokale autoriteit voor advies.
- Laat kinderen of mensen die niet vertrouwd zijn met de gebruiksaanwijzingen, het product nooit gebruiken.
- Gebruik het product bij daglicht of bij goed kunstmatig licht.
- Vermijd gebruik van de machine op nat gras.
- Stap niet achteruit terwijl u het product gebruikt.
- Bewaar steeds een stevige houvast en goed evenwicht. Overrek u niet. Rek u niet uit, waardoor u uw evenwicht kunt verliezen. Zorg ervoor dat u altijd stevig vast staat op hellingen. Stap altijd, loop nooit.
- Gebruik het product niet als er gevaar is voor bliksem.
- Stel het product niet bloot aan regen of natte omstandigheden. Water dat in het apparaat binnensijpelt verhoogt het risico voor elektrische schok.
- Houd omstaanders, kinderen en huisdieren op tenminste 15 m afstand van het werkgebied. Leg het product stil als iemand het werkgebied betreedt.
- Houd het snijvoorzetstuk onder het heupniveau.
- Gebruik het product nooit wanneer de beschermers beschadigd of niet gemonteerd zijn.
- Monteer nooit een metalen vervangingslijn.
- Hou handen en voeten steeds helemaal weg bij het inschakelen van de motor en tijdens het snijden.
- Pas op! De snijelementen blijven draaien nadat de motor is uitgeschakeld.
- Wees voorzichtig voor voorwerpen die door de snijelementen worden weggeworpen. Verwijder afval, zoals kleine stenen, grind en andere vreemde voorwerpen uit het werkgebied voor u begint te werken. Draden of touw kunnen/kan in het snijmechanisme vast komen te zitten.
- Schakel de machine uit en ontkoppel deze van de stroombron voor:
  - onderhoud
  - het product onbeheerd achterlaten
  - uw product reinigen of een blokkering vrijmaken
  - accessoires vervangen
  - controleer op schade nadat u een voorwerp hebt geraakt
  - controleer op schade als het product abnormaal begint te trillen
  - onderhoud uitvoeren
  - verwijderen van het mes
  - plaatsen van het mes
- Het kleine snijblad dat in de maaibeschermer is geïntegreerd, is ontworpen om de nieuwe uitgebrachte lijn op de correcte lengte af te snijden voor veilige en optimale prestaties. Het is heel scherp, niet aanraken, vooral niet terwijl u het werktuig reinigt

- Zorg er altijd voor dat de ventilatie-openingen vrij blijven van afval.
- Zorg ervoor dat het snijvoorzetstuk goed is geïnstalleerd en stevig is vastgemaakt.
- Zorg ervoor dat alle beschermers en handvatten goed en veilig zijn vastgemaakt.
- Wijzig het product op geen enkele manier. een accupak wordt alleen warm als gereedschap lang achter elkaar wordt gebruikt.
- Gebruik alleen de vervangmaaijnen van de fabrikant. Gebruik geen enkel ander maaivoorzetstuk.

### VEILIGHEIDSRICHTLIJNEN VOOR DE BOSMAAIER

- Behalve de bovenstaande regels zijn eveneens de volgende extra instructies van toepassing als het product als bosmaaier wordt gebruikt.
- Draag handschoenen bestemd voor zwaar gebruik tijdens het aanbrengen of verwijderen van de messen; deze hebben scherpe randen.
- Probeer het maaiblad niet aan te raken of te stoppen wanneer het draait.
- Een bewegend mes kan ernstig letsel veroorzaken. Blijf het product met beide handen stevig vasthouden totdat het mes helemaal is gestopt met draaien.
- Vervang alle maaibladeren die zijn beschadigd. Zorg er voor gebruik altijd voor dat het maaiblad correct is geïnstalleerd en stevig werd vastgemaakt.
- Gebruik uitsluitend het vervang Tri-Arc maaiblad van de fabrikant. Gebruik geen enkel ander maaivoorzetstuk.
- Maai nooit materiaal van meer dan 13 mm (0.5 in.) in diameter.
- Uw snoeimachine wordt met een harnas geleverd. Stel het harnas voorzichtig af, zodat deze comfortabel het gewicht van het apparaat ondersteunt en het apparaat aan uw rechterzijde hangt.
- Zoek het snelle ontgrendelmechanisme en oefen dit voor u de machine begint te gebruiken. Een goed gebruik kan ernstig letsel vermijden bij een noodgeval. Draag nooit kleding over het harnas of kleding dat de toegang tot de snelsluiting beperkt.
- Bedek het maaiblad met een maaibladbeschermer voor u de machine opbergt of tijdens transport. Verwijder de maaibladbeschermer voor u de machine gebruikt. Indien niet verwijderd, kan de maaibladbeschermer worden weggeslingerd als het maaiblad begint te draaien.
- Wees uiterst voorzichtig wanneer u het maaiblad met het product gebruikt. Terugschlag is de reactie die zich kan voordoen als een draaiend maaiblad in contact komt met een voorwerp dat het niet kan snijden. Dit contact kan ervoor zorgen dat de maaibladeren een ogenblik stilvallen en dan plots de machine weg van het geraakte voorwerp "slingeren". Deze reactie kan krachtig genoeg zijn om ervoor te zorgen dat de

gebruiker de controle over de machine verliest. Het maaiblad kan plots terugslaan wanneer het vastraakt, stilvalt of verstrikt raakt. Dit kan vaker gebeuren op plaatsen waar het moeilijk is om het materiaal dat moet worden gemaaid te zien.

- Om makkelijk en veilig te maaien, dient u het onkruid van rechts naar links te maaien. Als u op een onverwacht voorwerp of houtig materiaal stoot, kan dit de kans tot terugschlag verminderen. Gebruik altijd beide handen om dit product te controleren.

### TRANSPORT EN OPSLAG

- Leg het product stil en laat het afkoelen voor u het opbergt of transporteert.
- Verwijder alle vreemde voorwerpen van het product. Als een snijmes is geplaatst, bedek het dan met de mesbeschermer.
- Ontkoppel de machine altijd van de stroomtoevoer en rol de kabel op als u de machine bewaart. Bewaar op een koele, droge en goed geventileerde plaats die niet toegankelijk is voor kinderen. Houd corrosieve producten, zoals tuinchemicaliën en strooizout uit de buurt van het apparaat. Bewaar niet buitenshuis.
- Voor transport beveilig u het product tegen bewegen of vallen om lichamelijke letsels of schade aan het product te voorkomen.

### ONDERHOUD

#### ⚠ WAARSCHUWING

Gebruik uitsluitend originele vervangonderdelen, accessoires en voorzetstukken van de fabrikant. Als u dit niet doet, kan dit mogelijk letsels of slechte prestaties veroorzaken waardoor uw garantie kan vervallen.

#### ⚠ WAARSCHUWING

Het onderhoud vereist extreme voorzichtigheid en deskundigheid en mag enkel door een gekwalificeerde onderhoudstechnicus worden uitgevoerd. Wij raden u aan het toestel voor herstellingen naar uw dichtstbijzijnde erkende onderhoudsdienst terug te brengen. Gebruik voor het onderhoud alleen identieke vervangingsonderdelen.

- Schakel het apparaat uit en verwijder de accu voordat u onderhouds- of reinigingswerkzaamheden uitvoert.
- U kunt de afstellingen en reparaties die in deze gebruiksaanwijzing worden vermeld, uitvoeren. Voor andere herstellingen, neemt u contact op met uw geautoriseerde onderhoudsagent.
- Als vervanglijnen gebruikt u uitsluitend filamentlijnen uit nylon van de diameter die in de specificatielijst van deze gebruiksaanwijzing is beschreven.

- Nadat u een nieuwe maailijn hebt uitgebracht, brengt u het product altijd terug in de normale bedrijfspositie voor u start.
- Na elk gebruik, reinigt u het product met een zachte, droge doek. Een beschadigd onderdeel moet door een geautoriseerd onderhoudscentrum goed worden gerepareerd of vervangen.
- Controleer regelmatig of alle moeren, bouten en vijzen goed zijn vastgemaakt om zeker te zijn dat het product veilig kan worden gebruikt.

### RESTRISICO'S

Zelfs wanneer het product zoals voorgeschreven wordt gebruikt, is het nog steeds onmogelijk om bepaalde restrisico's volledig te elimineren. De volgende gevaren kunnen zich voordoen tijdens het gebruik en de gebruiker dient in het bijzonder aandacht te hebben om de volgende situaties te vermijden:

- Letsels veroorzaakt door trillingen.  
Houd het product uitsluitend vast aan de handvatten en beperk de bedrijfs- en blootstellingstijd.
- Gehoorschade veroorzaakt door blootstelling aan geluid.  
Draag gehoorbescherming en beperk de blootstelling.
- Letsels veroorzaakt door rondvliegend afval  
Draag altijd gezichtsbescherming.

Contact met de maaibladen. Zorg ervoor dat de zaagbladdeksels zijn gemonteerd wanneer het product niet wordt gebruikt. Houd handen en voeten steeds weg van de zaagbladen.

De bosmaaier kan tijdens gebruik terugslag geven. Zorg dat u het apparaat goed in bedwang hebt door uw beide handen op de daarvoor aangewezen handgrepen te houden. Lees en volg de instructies in deze handleiding om de kans op terugslag te helpen verkleinen.

Risico voor vallende voorwerpen: Draag tijdens het struikruimen hoofdbescherming als er gevaar bestaat voor vallende voorwerpen.

### RISICOBEPERKING

Trillingen door handbediende producten kunnen in bepaalde gevallen bijdragen tot het Fenomeen van Raynaud. Symptomen kunnen ondermeer tintelingen, gevoelloosheid en bleek worden van de vingers omvatten, wat normaal gezien duidelijk wordt bij blootstelling aan koude. Erfelijke factoren, blootstelling aan koude en vocht, dieet, roken en werkroutine kunnen allemaal bijdragen tot de ontwikkeling van deze symptomen. Er kunnen door de bediener maatregelen worden genomen om de gevolgen van de trillingen te beperken:

- Houd bij koud weer uw lichaam warm. Draag handschoenen terwijl u het product gebruikt om de handen en polsen warm te houden. Men neemt aan dat koud weer een belangrijke factor is die bijdraagt tot het Syndroom van Raynaud.

- Doe oefeningen om de bloeddoorstroming te bevorderen na elke periode van gebruik.
- Neem regelmatig een pauze. Beperk het aantal uren dat u per dag wordt blootgesteld.

Wanneer u enige van de symptomen van deze aandoening ervaart, stop dan onmiddellijk met het gebruik van het toestel en raadpleeg uw dokter

### ⚠ WAARSCHUWING

Letsels kunnen worden veroorzaakt of ernstiger worden door verlengd gebruik van een werktuig. Als u een werktuig gedurende langere periodes gebruikt, neem dan regelmatig pauze.

### KEN UW PRODUCT

Zie pagina 154.

1. Bovenste schacht
2. Handvat
3. Drukknop aan
4. Aan-/uit-hendel
5. Schachtkoppeling
6. Onderste schacht
7. Grasdeflector
8. Afsnijblad
9. Maailijn
10. Buffer
11. Spoeldeksel
12. Spoel
13. Oog
14. Noodschakelaar
15. Variabele snelheidshendel.
16. Voorste handvat
17. Snoeibladbeschermer
18. Tri-Arc maaiblad
19. Maaijlnbeschermer
20. Accu
21. Batterijvergrendelknop
22. Kabel laadapparaat
23. Lader

### SYMBOLEN OP HET PRODUCT



Waarschuwing



Lees en begrijp alle instructies voor u het product bedient, volg alle waarschuwingen en veiligheidsinstructies.



Draag gezichts-, gehoor- en hoofdbescherming.



Draag anti-slipschoeisel wanneer u het product gebruikt.



Draag zware, antislip handschoenen.



Stel niet bloot aan regen of vocht.



Het product is niet geschikt voor gebruik met een getand zaagblad.



Draairichting en maximumsnelheid van de as voor het maaivoorzetstuk.



Trekken: Snelle ontgrendeltab



Houd rekening met weggeslingerde of rondvliegende voorwerpen. Hou omstanders op een veilige afstand van het product.



Houd rekening met weggeslingerde of rondvliegende voorwerpen. Hou alle omstanders, in het bijzonder kinderen en huisdieren, op tenminste 15m afstand van het werktuig.



Houd uw handen van het afsnijblad.



Pas op voor terugslag.



Het Tri-Arc-mes is geschikt voor dit product en kan worden gebruikt voor het snoeien van vliezig onkruid en wingerd.



Elektrisch afval mag niet samen met ander huishoudafval worden weggegooid. Gelieve te recyclen indien de mogelijkheid bestaat. Neem contact op met uw lokaal bestuur of handelaar om advies te krijgen over recycling.



Dit apparaat voldoet aan alle geldende normen van Lid-Staat van de Europese Unie waar het werd gekocht.



EurAsian-symbool van overeenstemming



Oekraïens conformiteitssymbool



Gegarandeerd geluidsvermogensniveau voor bosmaaier



Gegarandeerd geluidsvermogensniveau voor grastrimmer

## SYMBOLLEN IN DEZE GEBRUIKSAANWIJZING



Met een contactdoos verbinden



Trek uit de contactdoos



Onderdelen of accessoires afzonderlijk verkocht



Opmerking

De volgende kernwoorden en verklaringen zijn bedoeld om de gevamniveaus die op dit toestel betrekking hebben, te verklaren.

### ⚠ GEVAAR

Wijst op een gevaarlijke situatie die, als ze niet wordt voorkomen, dodelijk kan zijn of ernstige verwondingen kan veroorzaken.

### ⚠ WAARSCHUWING

Wijst op een mogelijks gevaarlijke situatie die, als ze niet wordt voorkomen, dodelijk kan zijn of ernstige verwondingen kan veroorzaken.

### ⚠ LET OP

Wijst op een mogelijks gevaarlijke situatie die, als ze niet wordt voorkomen, kleine of middelmatige verwondingen kan veroorzaken.

### LET OP

Zonder veiligheidswaarschuwingssymbool

Wijst op een situatie die kan leiden tot materiële schade.



Segurança, desempenho e fiabilidade foram as prioridades na concepção do seu corta-relva e corta-mato sem fios.

### USO PREVISTO

A recortadora de fio/roçadora destina-se a ser utilizada por adultos que tenham lido e compreendido as instruções e os avisos neste Manual e que possam ser considerados responsáveis pelas suas acções. O produto apenas se destina a ser usado ao ar livre numa área bem ventilada. Por motivos de segurança, o produto tem obrigatoriamente de ser controlado adequadamente, utilizando ambas as mãos durante a operação.

O produto com a cabeça de recortadora de fio aplicada (e respectiva guarda) destina-se a cortar erva alta, ervas daninhas com polpa e vegetação do tipo semelhante, directamente no chão ou próximo do chão. Quando está aplicada a lâmina Tri-Arc™ (e a guarda correcta), o produto pode cortar também arbustos.

O aparelho de corte deve estar quase paralelo à superfície do chão. O produto não deve ser usado para cortar ou aparar sebes, arbustos ou outra vegetação em que o aparelho de corte não fique paralelo à superfície do chão.

### ⚠ ADVERTÊNCIA

Ao utilizar o produto, devem seguir-se as normas de segurança. Para a sua própria segurança e a dos que o rodeiam, leia estas instruções antes de utilizar o produto. Guarde as instruções para usá-las no futuro.

### ⚠ ADVERTÊNCIA

O produto não deve ser utilizado por crianças nem por pessoas com capacidades físicas, mentais ou sensoriais reduzidas. As crianças devem ser supervisionadas de modo a evitar que brinquem com o aparelho.

### FORMAÇÃO

- Nunca permita que crianças ou pessoas que não estejam familiarizadas com estas instruções utilizem o produto.
- Leia as instruções com atenção. Familiarize-se com todos os controlos e a utilização adequada do aparelho.
- Mantenha a área livre de espectadores, crianças e animais enquanto estiver a podar. Desligue o aparelho se alguém entrar na área.
- Não utilize o produto quando estiver cansado, doente ou sob a influência do álcool, drogas ou medicamentos.
- Utilize o produto só para cortar erva e mato ligeiro. Não a use para nenhuma outra finalidade.
- Mantenha em mente que o operador ou o utilizador é responsável pelos acidentes ou perigos que ocorrem a outras pessoas ou à sua propriedade.

### PREPARAÇÃO

- Use óculos de protecção total para os olhos e ouvidos ao utilizar este produto. Ao trabalhar numa área onde haja um risco de queda de objectos, tem que se usar uma protecção para a cabeça.
- A protecção auditiva pode restringir a capacidade do operador de ouvir os sons de alarme.
- É preciso ter muita atenção aos perigos potenciais dentro e à volta da área de trabalho.
- Use luvas, botas e calças resistentes. Não utilize roupa larga, calções, joias nem utilize com os pés descalços.
- Prenda o cabelo comprido para que fique acima do nível dos ombros para evitar que fique emaranhado em peças móveis.
- Antes do seu uso e após qualquer impacto, comprove que não há peças danificadas. Os interruptores defeituosos ou gastos ou qualquer outra peça danificada devem ser substituídos ou reparados adequadamente por um estabelecimento de serviço autorizado.
- Assegure-se de que o acessório de corte está correctamente instalado e ajustado.
- Nunca opere com o produto a menos que todas as protecções, deflectores e cabos estejam unidos de forma correcta e segura.
- Tenha em consideração o ambiente em que está a trabalhar. Mantenha a zona de trabalho livre de cabos, paus, pedras e sujidade que, se forem atingidos pela lâmina, podem converter-se em objetos lançados.

### AVISOS GERAIS DE SEGURANÇA

#### ⚠ ADVERTÊNCIA

**Leia todos os avisos de segurança e todas as instruções.** O facto de não seguir os avisos e as instruções pode conduzir a choque eléctrico, fogo e/ou lesão grave.

ConsERVE estas advertências e instruções para que possa consultá-las mais tarde. O termo "ferramenta eléctrica" nos avisos refere-se à ferramenta operada através de ligação à rede eléctrica (com fios) ou à ferramenta operada através de bateria (sem fios).

### AMBIENTE DE TRABALHO

- **Mantenha a área de trabalho limpa e bem iluminada.** As áreas desordenadas ou escuras são um convite para acidentes.
- **Não opere ferramentas eléctricas em atmosferas explosivas, tais como na presença de líquidos inflamáveis, gases ou poeira.** As ferramentas eléctricas criam faíscas que podem causar a inflamação de poeiras ou vapores.

- Ao operar esta ferramenta eléctrica, mantenha as crianças e as pessoas presentes afastadas. Distrações podem fazer com que perca o controlo.

### SEGURANÇA ELÉCTRICA

- As fichas eléctricas da ferramenta têm de corresponder à tomada. Nunca altere a ficha seja de que maneira for. Não use quaisquer fichas adaptadoras com ferramentas de ligação com terra. As fichas não modificadas e tomadas compatíveis reduzirão o risco de choque eléctrico.
- Evite o contacto do corpo com superfícies com ligação terra ou enterradas, tais como tubos, radiadores, fogões e frigoríficos. Há um aumento do risco de choque eléctrico se o seu corpo estiver ligado à terra.
- Não exponha este produto à chuva ou humidade elevada. A entrada de água na ferramenta eléctrica aumentará o risco de choque eléctrico.
- Não abuse do cabo de alimentação. Nunca use o cabo para carregar, puxar ou retirar a ficha da ferramenta da tomada. Mantenha o cabo afastado do calor, óleo, pontas afiadas ou peças móveis. Os cabos danificados ou emaranhados aumentam o risco de choque eléctrico.
- Ao operar uma ferramenta eléctrica ao ar livre, use um cabo de extensão apropriado para o uso ao ar livre. A utilização de um cabo apropriado para o uso ao ar livre reduz o risco de choque eléctrico.
- Se operar uma ferramenta eléctrica num local húmido é inevitável, use uma fonte com protecção de dispositivo de corrente residual (RCD). O uso de um RCD reduz o risco de choque eléctrico.

### SEGURANÇA PESSOAL

- Ao operar esta ferramenta eléctrica, permaneça alerta, tenha em atenção ao que está a fazer e use o bom senso. Não utilize a ferramenta eléctrica quando se sentir cansado ou se se encontrar sob a influência de drogas, álcool ou medicamentos. Um momento de desatenção enquanto opera estas ferramentas eléctricas pode resultar em ferimentos graves.
- Utilizar equipamento de protecção. Use sempre protecção para os olhos. O equipamento de protecção tal como a máscara contra pó, calçado antiderrapante de segurança, capacete, ou protecção para os ouvidos, usado para condições apropriadas irá reduzir a probabilidade de ferimentos.
- Evite o arranque involuntário. Assegure-se de que o interruptor se encontra na posição de desligado antes de o ligar à fonte de energia e/ou bateria, levantando ou transportando a ferramenta. Transportar ferramentas eléctricas com o seu dedo no interruptor ou ligar à corrente ferramentas eléctricas que têm o interruptor ligado são um convite a acidentes.

- Remova qualquer chave de ajuste antes de ligar a ferramenta eléctrica. Uma chave-inglesa ou uma chave colocada numa peça móvel da ferramenta eléctrica pode causar lesões pessoais.
- Não se aproxime em demasia. Fique sempre bem apoiado nas pernas e não estique demasiado o braço. Isto possibilita um melhor controlo da ferramenta eléctrica em situações inesperadas.
- Use roupas adequadas. Não use roupa larga ou acessórios de jóias. Mantenha o seu cabelo, roupa e luvas longe das peças móveis. A roupa larga, jóias ou cabelo comprido podem ficar presos nas peças móveis.
- Se são fornecidos os dispositivos para a ligação de espaços de extracção e recolha de pó, assegure-se de que estes se encontram conectados e usados correctamente. A utilização de um colectador de pó pode reduzir os perigos relacionados com o pó.

### UTILIZAÇÃO E MANUTENÇÃO DA FERRAMENTA ELÉCTRICA

- Não force o produto. Use a ferramenta eléctrica correcta para a sua aplicação. A ferramenta fará o seu trabalho melhor e de forma mais segura trabalhando ao ritmo para que foi concebida.
- Não use uma ferramenta caso o interruptor não ligue e desligue a ferramenta eléctrica correctamente. Qualquer ferramenta eléctrica que não possa ser controlada com o interruptor é perigosa e deve ser reparada.
- Desligue a ficha da alimentação eléctrica e/ou a bateria da ferramenta antes de proceder a quaisquer ajustes, mudança de acessórios ou de armazenar ferramentas eléctricas. Estas medidas de segurança preventivas reduzem o risco de arranque acidental da ferramenta eléctrica.
- Armazene as ferramentas eléctricas fora do alcance das crianças e não permita que pessoas não familiarizadas com a ferramenta eléctrica ou com estas instruções utilizem a ferramenta eléctrica. As ferramentas eléctricas são perigosas nas mãos de utilizadores inexperientes.
- Realize a manutenção das ferramentas eléctricas. Verifique se existe desalinhamento ou emperramento das peças móveis, ruptura das peças e qualquer outra condição que possa ter afectado o funcionamento da ferramenta eléctrica. Se danificado, mande a ferramenta eléctrica ser reparada antes de a utilizar. Muitos acidentes são causados por ferramentas eléctricas com fracas manutenções.
- Mantenha as ferramentas de corte afiadas e limpas. É menos provável que as ferramentas de corte com uma correcta manutenção e com pontas de corte afiadas fiquem presas e são mais fáceis de controlar.
- Utilize a ferramenta, acessórios, peças eléctricas, etc., de acordo com estas instruções, tendo em

conta as condições de trabalho e o trabalho que se vai realizar. O uso da ferramenta eléctrica para as operações diferentes daquelas a que se destina podem causar uma situação perigosa.

#### UTILIZAÇÃO E MANUTENÇÃO DA BATERIA

- **Recarregue apenas com o carregador especificado pelo fabricante.** Um carregador que seja adequado para um tipo de bateria pode causar risco de incêndio, quando utilizado com outra bateria.
- **Use ferramentas eléctricas somente com baterias especificamente concebidas.** O uso de qualquer outro tipo de bateria pode causar risco de lesões e incêndio.
- **Quando a bateria não estiver a ser utilizada, mantenha-a afastada de outros objectos metálicos como clipes de papel, moedas, chaves, pregos, parafusos, ou outros pequenos objectos metálicos que podem fazer a ligação de um terminal para outro.** Ligar os terminais da bateria em conjunto pode causar queimaduras ou um incêndio.
- **Sob circunstâncias abusivas, o líquido pode ser ejectado da bateria, evite o contacto. Se o contacto ocorrer acidentalmente, limpe com água abundante.** Se o líquido entrar em contacto com os olhos, procure adicionalmente assistência médica.
- **O líquido ejectado da bateria pode causar irritação ou queimaduras.**

#### MANUTENÇÃO

- A manutenção da sua ferramenta eléctrica deve ser efectuada por uma pessoa qualificada para reparações, utilizando apenas peças de substituição idênticas. Isto assegurará que a segurança da ferramenta eléctrica é mantida.

#### ⚠ ADVERTÊNCIA

Nunca utilize meios de corte ou acessórios que não sejam especificados pela Ryobi neste Manual. Isto inclui a utilização de correntes articuladas multi-peça metálicas e a utilização de lâminas articuladas. Existe o risco conhecido de estes artigos se fragmentarem durante a utilização, o que constitui um risco elevado de ferimentos graves para o operador ou para quem esteja nas proximidades.

#### ⚠ ADVERTÊNCIA

Inspeção após quedas ou outros impactos: Inspeccione cuidadosamente o produto para identificar qualquer problema ou dano. Qualquer peça danificada deve ser substituída ou reparada adequadamente por um centro de serviço autorizado.

#### ALERTAS DE SEGURANÇA DO PODADOR

- Algumas regiões têm normas que limitam o uso do produto. Consulte a sua autoridade local para obter informação.
- Nunca permita que crianças ou pessoas que não estejam familiarizadas com estas instruções utilizem o produto.
- Utilize o produto à luz do dia ou com uma luz artificial eficaz.
- Evite o uso em erva molhada.
- Não ande para enquanto usa este produto.
- Mantenha-se bem apoiado e equilibrado. Não se aproxime em demasia. Tentar esticar-se demais pode provocar a perda de equilíbrio. Certifique-se sempre onde põe os pés em sítios inclinados. Ande e nunca corra.
- Não utilize o aparelho quando houver risco de relâmpago.
- Não exponha este produto à chuva ou humidade elevada. Se entrar água no aparelho, isto aumentará o risco de descargas eléctricas.
- Mantenha os transeuntes, as crianças e os animais a 15 m de distância da zona de operação. Desligue o aparelho se alguém entrar na área.
- Mantenha o acessório de corte abaixo do nível da cintura.
- Não utilize o produto com as tampas danificadas ou sem tê-las colocado.
- Nunca encaixe uma linha de substituição de metal.
- Mantenha sempre as mãos e os pés afastados dos meios de corte, especialmente quando ligar o motor.
- Cuidado, os elementos de corte continuam a funcionar após o motor ser desligado.
- Tenha cuidado com os objectos lançados pelo meio de corte. Limpe a sujidade como pequenas pedras, gravilha e outros objetos estranhos da zona de trabalho antes de começar a operar. Os cabos ou fio podem ficar emaranhados com as peças de corte.
- Desactivar e desligar do fornecimento eléctrico antes de:
  - manutenção
  - deixar o produto sem vigilância
  - limpeza do seu produto e desobstrução de bloqueio.
  - mudar acessórios
  - comprovar se há danos depois de bater num objecto
  - comprovar se há danos caso o produto comece a vibrar de um modo anormal
  - realizar operações de manutenção
  - desmontar a lâmina
  - aplicar a lâmina
- A pequena lâmina encaixada no protetor do relvado foi dissecada para cortar a nova linha ampliada ao

comprimento correto a fim de obter um rendimento seguro e ótimo. É muito afiada, não toque nela, especialmente quando limpar a ferramenta.

- Assegure-se sempre que as aberturas de ventilação se mantêm desobstruídas de detritos.
- Assegure-se de que o acessório de corte está correctamente instalado e ajustado.
- Assegure-se de que todas as protecções, deflectores e cabos estão unidos de forma correcta e segura.
- Não faça nenhuma modificação ao produto. A bateria aquece unicamente em caso de utilização prolongada da ferramenta.
- Use somente linhas de corte de substituição do fabricante. Não utilize nenhum tipo de peça cortante.

### REGRAS DE SEGURANÇA DA ROÇADORA

- Para além das regras acima, estas instruções adicionais são aplicáveis durante a utilização do produto no modo de roçadora.
- Utilize luvas para trabalho pesado quando montar ou desmontar as lâminas: as lâminas têm arestas afiadas.
- Não tente tocar ou parar a lâmina durante a rotação.
- Uma lâmina em movimento pode causar ferimentos graves. Mantenha o produto correctamente sob controlo, com as duas mãos, até a lâmina ter parado completamente de rodar.
- Substitua qualquer lâmina danificada. Verifique sempre se a lâmina está correctamente colocada e fixada de forma segura antes de cada utilização.
- Use apenas lâminas Tri-Arc de substituição do fabricante. Não utilize nenhum tipo de peça cortante.
- Nunca corte qualquer material com mais de 13 mm (0.5 in.) de diâmetro.
- A sua roçadora está equipada com um arnês. Ajuste cuidadosamente o arnês para ajudar confortavelmente a suportar o peso da máquina e pendure no seu lado direito.
- Identifique o mecanismo de libertação rápida e pratique utilizando-o antes de começar a usar a máquina. A sua utilização correta pode prevenir lesões graves em caso de uma emergência. Nunca use roupas adicionais sobre o arnês nem restrinja, de outro modo, o acesso ao mecanismo de libertação rápida.
- Cubra a lâmina com a devida protecção antes de a guardar, ou durante o transporte da mesma. Retire sempre o protector da lâmina antes de usar a unidade. Caso não seja retirado, o protector da lâmina poderia ser projectado quando a lâmina começasse a girar.
- Tenha muito cuidado ao usar a lâmina com o aparelho. A impulsão da lâmina é a reacção que pode ocorrer quando as lâminas em rotação entram em contacto com qualquer coisa que não consigam cortar. Este contacto pode fazer com que a lâmina pare por um instante, e de repente "impulsione" a unidade afastando-a do objecto em que embateu. Esta reacção

pode ser suficientemente violenta para fazer com que o operador perca o controlo da unidade. O impulso da lâmina pode ocorrer sem aviso caso a lâmina fique emaranhada, atolada ou presa. É mais provável que isto ocorra em áreas onde é difícil ver o material a ser cortado.

- Para segurança e facilidade de corte, aproxime-se das ervas daninhas a serem cortadas da direita para a esquerda. No caso de encontrar um objeto inesperado ou cepo de lenha, isto poderia minimizar a reacção de impulsão da lâmina. Ambas as mãos devem ser usadas em todos os momentos para controlar este aparelho.

### TRANSPORTE E ARMAZENAMENTO

- Pare o produto e deixe arrefecer antes de guardá-la ou transportá-la.
- Limpe todos os materiais estranhos do produto. Se estiver montada uma lâmina de corte, cubra-a com o protector da lâmina.
- Para o seu armazenamento, desligar sempre do fornecimento eléctrico e enrolar o cabo. Guarde-o num local fresco e seco e bem ventilado a que as crianças não consigam aceder. Mantenha-o afastado de substâncias corrosivas, tais como produtos químicos utilizados em jardinagem e sais de descongelação. Não armazenar ao ar livre.
- Para transportar, prenda o aparelho de modo a evitar que este se mova ou caia, para evitar lesões ou danos no produto.

### MANUTENÇÃO

#### ⚠ ADVERTÊNCIA

Utilize apenas peças de substituição, acessórios e encaixes do fabricante original. A inobservância desta indicação pode causar um fraco desempenho, possíveis lesões e poderá anular a sua garantia.

#### ⚠ ADVERTÊNCIA

Os serviços de manutenção requerem extremo cuidado e conhecimentos e devem apenas ser realizado por um técnico de assistência qualificado. Para assistência, sugerimos que devolva o produto ao seu centro de assistência autorizado mais próximo para reparação. Ao realizar serviços de manutenção, use apenas peças de substituição idênticas.

- Antes de fazer quaisquer trabalhos de manutenção ou limpeza ao produto, desligue e desmonte o conjunto de baterias.
- Pode realizar os ajustes e reparações descritos neste manual do utilizador. Para outro tipo de reparações entre em contacto com um agente de serviço autorizado.

- Ao substituir a linha use sempre linha com filamento de nylon com o diâmetro descrito na tabela de especificações neste manual.
- Após ter estendido a nova linha do aparador, volte sempre a colocar o produto na sua posição normal de operação antes de o ligar.
- Limpar o produto com um pano suave seco depois de cada uso. Qualquer peça danificada deve ser substituída ou reparada adequadamente por um centro de serviço autorizado.
- Verifique todas as porcas, pregos e parafusos com intervalos frequentes para confirmar a tensão apropriada e se certificar que o produto está em condições seguras de funcionamento.

### RISCOS RESIDUAIS:

Mesmo quando se utiliza o produto segundo as instruções, continua a ser impossível eliminar por completo certos fatores de risco residuais. Os seguintes perigos podem surgir na utilização e o operador deve prestar especial atenção para evitar o seguinte:

- Lesões por vibração.  
Segure o produto pelos cabos destinados para o efeito e limite o tempo de funcionamento e de exposição.
- Danos auditivos causados pela exposição ao ruído.  
Use proteção para os ouvidos e limite o tempo de exposição.
- Prejuízo causado por detritos lançados  
Use sempre proteção para os olhos.

Contacto com os meios de corte. Assegure-se de que as proteções das lâminas estão colocadas quando o produto não está a ser utilizado. Mantenha as mãos e os pés afastados das lâminas em todas as circunstâncias.

Pode haver ressaltos quando utilizar a roçadora. Certifique-se de que mantém o produto correctamente sob controlo, utilizando ambas as mãos nas pegadas indicadas. Leia e siga as instruções neste Manual, para ajudar a reduzir o risco de ressalto.

Risco de queda de objetos: Durante o corte de arbustos, o uso de proteção para a cabeça é recomendado caso exista o risco de queda de objetos.

### REDUÇÃO DO RISCO

Foi reportado que as vibrações que derivam de produtos que se seguram com as mãos podem contribuir para uma doença designada Síndrome de Raynaud em determinados indivíduos. Os sintomas podem incluir formigueiro, entorpecimento e empalidecimento dos dedos, habitualmente visível aquando da exposição ao frio. Estima-se que os factores hereditários, exposição ao frio e humidade, dieta, tabagismo e práticas de trabalho contribuem todos para o desenvolvimento destes sintomas. Existem medidas que podem ser tomadas pelo operador para possivelmente reduzir os efeitos da vibração:

- Mantenha o seu corpo quente durante o tempo frio. Ao operar o produto, use luvas para manter as mãos e os pulsos quentes. Encontra-se reportado que o tempo frio é um grande factor que contribui para o Síndrome de Raynaud.
- Após cada período de operação, exercite para aumentar a circulação sanguínea.
- Faça pausas frequentes no trabalho. Limite o tempo de exposição por dia.

Caso sinta algum dos sintomas desta doença, interrompa de imediato a sua utilização e consulte o seu médico sobre estes sintomas.

### ⚠ ADVERTÊNCIA

O uso prolongado de uma ferramenta pode causar o agravar lesões. Ao usar qualquer ferramenta durante períodos prolongados, assegure-se que faz intervalos regulares.

### CONHEÇA O SER APARELHO

Ver a página 154.

1. Eixo superior
2. Guiador
3. Botão de premir Liga
4. Gatilho
5. Acoplamento do eixo
6. Eixo inferior
7. Deflector de Erva
8. Lâmina de corte
9. Linha de corte
10. Cabeça da Bobina
11. Cobertura da bobina
12. Bobina
13. Ilhó
14. Gatilho de bloqueio
15. Gatilho de velocidade variável
16. Pega frontal
17. Protecção da lâmina
18. Lâmina Tri-Arc
19. Protector da lâmina
20. Bateria
21. Botão de fixação da bateria
22. Cabo do carregador
23. Carregador

### SÍMBOLOS NO PRODUTO



Aviso



Leia e compreenda todas as instruções antes de manipular o produto, respeite os alertas e as instruções de segurança.



Coloque proteção para olhos, ouvidos e cabeça.



Utilize calçado de segurança antideslizante quando utilizar este produto.



Use luvas de trabalho resistentes, antideslizantes.



Não o exponha à chuva ou a condições de humidade.



O produto não está preparada para uso com uma lâmina de tipo serra dentada.



Direcção de rotação e velocidade máxima do eixo para o acessório de corte



Puxar: Guia de libertação rápida



Tenha cuidado com os objectos voláteis ou lançados. Mantenha os espectadores a uma distância segura do produto.



Tenha cuidado com os objectos voláteis ou lançados. Mantenha todos os espectadores, especialmente crianças e animais de estimação, a pelo menos 15 m da área de funcionamento.



Mantenha as mãos afastadas da lâmina de corte.



Cuidado com o impulso da lâmina.



A lâmina Tri-Arc é adequada para este produto e destina-se a cortar ervas daninhas com polpa e plantas trepadoras.



Os aparelhos eléctricos antigos não devem ser eliminados juntamente com o lixo doméstico. Recicle onde existem instalações para o efeito. Verifique com as suas Autoridades Locais ou revendedor para obter informações sobre reciclagem.



Esta ferramenta obedece a todas as normas regulamentares do país da UE onde foi comprada.



Marca de conformidade EurAsian



Marca de conformidade ucraniana



Nível garantido de potência sonora para a roçadora



Nível garantido de potência sonora para a recortadora de fio

SÍMBOLOS NESTE MANUAL



Ligar à tomada de corrente



Desligar da tomada de corrente



As peças ou acessórios vendem-se separadamente



Nota

As seguintes palavras de sinal e significados destinam-se a explicar os níveis de risco associados a este produto.

**⚠ PERIGO**

Indica uma situação perigosa iminente, que, se não evitada, poderá resultar em morte ou ferimentos graves.

**⚠ ADVERTÊNCIA**

Indica uma situação potencialmente perigosa, que, se não evitada, poderá conduzir à morte ou graves lesões.

**⚠ ADVERTÊNCIA**

Indica uma situação potencialmente perigosa, que, se não evitada, poderá resultar em pequenas ou moderadas lesões.

**ADVERTÊNCIA**

Sem símbolo de alerta de segurança

Indica uma situação que pode resultar em danos de propriedade.

Sikkerhed, ydelse og driftssikkerhed har fået topprioritet i designet af din ledningsfri buskrydder og græstrimmer.

### TILTÆNKT ANVENDELSESFORMÅL

Snortrimmeren/buskrydderen er kun beregnet til at blive brugt af voksne, som har læst og forstået instruktionerne og advarslerne i denne vejledning og som kan betragtes som værende ansvarlige for deres handlinger. Produktet er kun beregnet til brug i det fri i et godt ventileret område. Af sikkerhedsmæssige årsager skal produktet betjenes med to hænder, så man kan kontrollere det ordentligt.

Produktet som er tilpasset med trimmerhoved (og passende skærm) er beregnet til at skære langt græs, blødt ukrudt og lignende plantevækst. Hvis Tri-Arc™-klingen er monteret (med passende afskærmning), kan du også beskære buske.

Klippeplanet bør så vidt muligt være omtrent parallelt med jordoverfladen. Produktet bør ikke bruges til klipning eller trimming af hække, buske eller anden vegetation, hvor klippeplanet ikke er parallelt med jordoverfladen.

#### ⚠ ADVARSEL

Når produktet anvendes, skal sikkerhedsreglerne efterleves. Af hensyn til egen og andres sikkerhed skal man læse denne brugsanvisning, inden produktet anvendes. Disse sikkerhedsregler skal opbevares med henblik på senere brug.

#### ⚠ ADVARSEL

Produktet er ikke beregnet til at blive benyttet af børn eller personer med nedsatte fysiske, mentale eller sensoriske evner. Børn bør holdes under opsyn, så man er sikker på, at de ikke leger med produktet.

### UDDANNELSE

- Lad aldrig børn eller personer uden kendskab til brugsanvisningen bruge produktet.
- Læs brugsanvisningen omhyggeligt. Sørg for at blive fortrolig med betjeningselementerne samt korrekt brug af produktet.
- Hold området fri for tilskuere, børn og dyr, så længe trimnearbejdet pågår. Stop produktet, hvis uvedkommende kommer ind i området.
- Du må aldrig bruge produktet, når du er træt, syg eller under påvirkning af alkohol, narkotika eller medicin.
- Produktet må kun bruges til klipning af græs og let ukrudt. Må ikke bruges til andre formål.
- Husk det er brugeren selv der er ansvarlig for ulykker eller farer andre folk bliver udsat for.

### FORBEREDELSE

- Benyt fuldt øjen- og høreværn under arbejde med dette produkt. Hvis der arbejdes i et område med fare for nedfaldende genstande, skal der bæres hovedværn.

- Øreværn kan nedsætte operatørens evne til at høre advarselslyde.
- Vær særligt opmærksom på potentielle faremomenter omkring og i arbejdsområdet
- Bær kraftige, lange bukser, støvler og handsker. Undlad at bære løstsiddende tøj, korte bukser, smykker af enhver art eller gå barfodet.
- Langt hår skal bindes op over skulderniveau, så det ikke risikerer at vikle sig ind i bevægelige dele.
- Inden ibrugtagning og efter enhver ydre påvirkning skal man kontrollere, at der ikke findes beskadigede dele. En defekt kontakt eller en del, som er blevet beskadiget eller slidt, skal repareres ordentligt eller udskiftes på et autoriseret serviceværksted.
- Kontrollér, at klippeudstyret er monteret korrekt og ordentligt fastgjort.
- Produktet må aldrig benyttes, før alle skærme, deflektorer og håndtag er fastgjort ordentligt og sikkert.
- Overvej grundigt hvilken type arbejdsmiljø du befinder dig i. Hold arbejdsområdet ryddet for ledninger, pinde, sten og affald, som ved kontakt med klipperen kan blive til udslængede genstande.

### GENERELLE SIKKERHEDSADVARSLER

#### ⚠ ADVARSEL

**Alle sikkerhedsadvarsler og alle anvisninger skal læses.** Manglende overholdelse af advarslerne og anvisningerne kan medføre elektrisk stød, brand og/eller alvorlige personskader.

Gem vejledningen med advarsler og anvisninger til senere opslag. Med udtrykket "elværktøj" i advarslerne henvises til dit lysnet-drevne (via ledning) elværktøj eller batteridrevne (ledningsfri) elværktøj.

### ARBEJDSOMGIVELSER

- **Hold arbejdsområdet rent og godt oplyst.** Rodede eller mørke områder inviterer til ulykker.
- **Brug ikke elværktøjer i eksplosive omgivelser som fx i nærheden af brandbar væske, gas eller støv.** Elværktøjer udløser gnister, som kan antænde støvet eller dampene.
- **Der må ikke være børn og tilskuere i nærheden, når et elværktøj anvendes.** Distractioner kan medføre, at du mister kontrollen.

### ELEKTRISK SIKKERHED

- **Elværktøjets elstik skal passe til elnetkontakten. Elstikket må aldrig modificeres på nogen som helst måde. Undlad brug af adapterstik til jordede (stelforbundne) elværktøjer.** Umodificerede elstik og passende elnetkontakter reducerer faren for elektrisk stød.



EN
FR
DE
ES
IT
NL
PT
<b>DA</b>
SV
FI
NO
RU
PL
CS
HU
RO
LV
LT
ET
HR
SK
SL
BG
UK

- **Undgå kropskontakt med jordede eller stofforbundne overflader som fx rør, radiatorer, komfurer og køleskabe.** Der er forøget risiko for elektrisk stød, hvis din krop er forbundet med jord eller stel.
- **Dette produkt må ikke udsættes for regn eller fugt.** Hvis der trænger vand ind i et elværktøj, øges faren for elektrisk stød.
- **Undlad at misbruge ledningen.** Ledningen må aldrig bruges til at bære eller trække i elværktøjet eller til at trække stikket ud. Ledningen må ikke komme i nærheden af varme, olie, skarpe kanter eller bevægelige dele. Beskadigede eller sammenfiltrede ledninger øger faren for elektrisk stød.
- **Når et elværktøj anvendes i det fri, skal der bruges en forlængerledning, der er egnet til udendørs brug.** Brug af ledninger beregnet til udendørs brug reducerer faren for elektrisk stød.
- **Hvis man er nødt til at bruge et elværktøj i fugtige omgivelser, skal strømforsyningen have en fejlstrømsafbryder (RCD-afbryder).** Brug af fejlstrømssikring reducerer faren for elektrisk stød.

**PERSONLIG SIKKERHED**

- **Når man bruger et elværktøj, skal man være agtpågivende, iagttage hvad man gør og bruge sund fornuft.** Undlad at bruge et elværktøj, hvis du er træt eller påvirket af narkotika, alkohol eller medikamenter. Et øjeblik uopmærksomhed under brug af motoriserede værktøjer kan medføre alvorlige personskader.
- **Brug personlige værnemidler.** Brug altid øjenværn. Værnemidler som fx støvmaske, skridfast sikkerhedsfodtøj, hjelm eller høreværn anvendt korrekt i forhold til de givne forhold reducerer faren for personskader.
- **Forebyg utilsigtet start.** Kontrollér, at kontakten er i pos. OFF (=slukket), inden værktøjet sluttes til strømkilde og/eller batteri, samles op eller bæres. At bære elværktøjer med fingeren på kontakten eller at slutte strøm til elværktøjer med tændt kontakt er at invitere til ulykker.
- **Fjern evt. skruenøgler, inden der tændes for elværktøjet.** En efterladt skruenøgle fastgjort til en roterende del af elværktøjet kan medføre personskader.
- **Overstræk ikke. Sørg for altid at have godt fodfæste og god balance.** Dette giver bedre kontrol over elværktøjet i uventede situationer.
- **Vær ordentligt klædt på. Bær ikke løftsiddende tøj eller smykker.** Sørg for, at hår, tøj og handsker ikke kommer i nærheden af bevægelige dele. Løstsiddende tøj, smykker eller langt hår kan hænge fast i bevægelige dele.
- **Hvis der findes anordninger for tilslutning af støvudsugnings- og -opsamlingsudstyr, skal disse tilsluttes og anvendes korrekt.** Brug af støvopsamling kan reducere støvrelaterede faremomenter.

**BRUG OG PLEJE AF ELVÆRKTØJ**

- **Undlad at tvinge produktet. Brug elværktøjet til det tiltænkte anvendelsesformål.** Det korrekte elværktøj klarer opgaven bedre og sikrere med den hastighed, det er designet til.
- **Elværktøjet må ikke tages i brug, hvis TÆND/SLUK-kontakten ikke virker.** Et elværktøj, der ikke kan kontrolleres med TÆND/SLUK-kontakten, er farligt og skal repareres.
- **Inden udførelse af justeringer, udskiftning af tilbehør eller opbevaring af elværktøjer skal elstikket trækkes ud af elnetkontakten, og/eller batteriet skal tages ud af elværktøjet.** Disse forebyggende sikkerhedsforanstaltninger reducerer faren for utilsigtet start af elværktøjet.
- **Når elværktøjer ikke bruges, skal de opbevares utilgængeligt for børn; personer, som ikke er fortrolige med elværktøjet eller denne brugsanvisning, må ikke anvende elværktøjet.** Elværktøjer er farlige i hænderne på ukyndige brugere.
- **Elværktøjer skal vedligeholdes. Kontrollér, om der er forkert indjusterede eller forbundne bevægelige dele, afbrækkede dele samt andre tilstande, som kan påvirke elværktøjets funktionsmåde.** Hvis der konstateres skader, skal elværktøjet repareres inden brug. Mange ulykker skyldes dårligt vedligeholdte elværktøjer.
- **Skærende værktøjer skal holdes skarpe og rene.** Korrekt vedligeholdte skærende værktøjer med skarpe skær er mindre tilbøjelige til at binde/blokere og er lettere at kontrollere.
- **Brug elværktøjet, tilbehøret og værktøjs-bits osv. som foreskrevet i denne brugsanvisning, og tag højde for arbejdsforholdene og den aktuelle arbejdsopgave.** Brug af elværktøjet i strid med de tiltænkte anvendelsesformål kan medføre farlige situationer.

**BRUG OG PLEJE AF BATTERIVÆRKTØJ**

- **Opladning må kun finde sted med den af producenten foreskrevne oplader.** En oplader, der er beregnet til én type batteri, kan udgøre en brandrisiko, hvis den bruges til en anden batteritype.
- **Brug kun elværktøjer sammen med specifikt godkendte batterier.** Brug af andre batterityper kan medføre fare for personskade og brand.
- **Når batteriet ikke bruges, må det ikke opbevares sammen med metalgenstande som fx papirclips, mønter, nøgler, søm, skruer eller andre metalgenstande, som kan skabe forbindelse mellem batteriets poler.** Hvis batteriets poler kortsluttes, kan det forårsage forbrændinger eller ildebrand.
- **Hvis batteriet misbruges, kan der sprøjte væske ud af det; undgå kontakt med batterivæsken.** Ved kontakt med batterivæsken skylles med vand. Hvis der kommer væske i øjnene, søges desuden læge.

- **Udsprøjtet batterivæske kan forårsage irritation eller forbrændinger.**

#### VEDLIGEHOLDELSE

- Sørg for, at elværktøjet serviceres af en kvalificeret reparatør, som kun benytter sig af originale reservedele. Herved garanteres sikkerheden for elproduktet.

#### ⚠ ADVARSEL

Anvend aldrig skæretilbehør eller udstyr, som ikke er angivet af Ryobi i denne manual. Dette inkluderer brugen af drejelige flerledskæder af metal og plejklinger. Disse emner er kendte for at gå i stykker under brug og skaber høj risiko for alvorlig tilskadekomst for operatøren eller personer, der står ved siden af.

#### ⚠ ADVARSEL

Inspektion efter tab eller andre slagpåvirkninger: Produktet skal inspiceres grundigt, og evt. påvirkninger eller skader skal lokaliseres. Enhver del, som bliver beskadiget, skal repareres ordentligt eller udskiftes på et autoriseret servicecenter.

#### SIKKERHEDSADVARSLER VEDR. GRÆSTRIMMER

- Nogle områder har regler, som begrænser brugen af produktet. Forhør dig hos de lokale myndigheder.
- Lad aldrig børn eller personer uden kendskab til brugsanvisningen bruge produktet.
- Anvend produktet i dagslys eller godt kunstigt lys.
- Undgå brug på vådt græs.
- Undgå at gå baglæns under brug af produktet.
- Hold et godt fodfæste og balance. Overstræk ikke. Overstrækning kan føre til tab af balancen. Sørg altid for at have godt fodfæste på skråninger. Gå, løb aldrig.
- Produktet må ikke benyttes, hvis der er fare for tordenvejr.
- Dette produkt må ikke udsættes for regn eller fugt. Hvis der trænger vand ind i et produkt, øges faren for elektrisk stød.
- Tilskuere, børn og kæledyr skal have en sikkerhedsafstand på mindst 15 m til arbejdsområdet. Stop produktet, hvis uvedkommende kommer ind i området.
- Hold klippehovedet under hofteniveau.
- Brug aldrig produktet med beskadigede skærme eller uden påmonterede skærme.
- Anvend aldrig en metalsnor i enheden.
- Hold altid hænder og fødder væk fra skæredelene, dette især når motoren tændes.
- Vær opmærksom på, at de skærende dele fortsætter med at rotere, efter at motoren er slukket.

- Pas på bortslyngede objekter fra klippeudstyr. Fjern affald som små sten, ral og andre fremmedlegemer fra arbejdsområdet, inden arbejdets start. Ledninger og snore kan blive viklet ind i klippeudstyret.
- Produktet skal slukkes og afbrydes fra strømforsyningen inden:
  - servicering
  - at efterlade produktet uden opsyn
  - rengøring af produktet eller eliminering af en blokering.
  - Udskiftning af tilbehør
  - kontrol for evt. skader efter kollision med et objekt
  - kontrol for evt. skader, hvis produktet begynder at vibrere unormalt
  - udførelse af vedligeholdelsesarbejde
  - fjerne klinge
  - montering af klingen
- De små klinger på plæneklipperens skærm er designet til at trimme den nye forlængede tråd til korrekt længde for sikker og optimal ydelse. Den er meget skarp; undgå at røre ved den, især under rengøring af værktøjet.
- Sørg altid for, at ventilationsåbningerne er fri for affald.
- Kontrollér, at klippeudstyret er monteret korrekt og ordentligt fastgjort.
- Kontrollér, at alle skærme, og håndtag er fastgjort ordentligt og sikkert.
- Du må ikke ændre produktet på nogen måde. batteriet bliver kun varmt, hvis værktøjet eller redskabet anvendes i længere tid.
- Brug kun udskiftningsstråd fra producenten. Der må ikke bruges andet skærende udstyr.

#### SIKKERHEDSREGLER FOR BUSKRYDDER

- Foruden ovenstående regler er disse yderligere instruktioner relevante, når produktet bruges som buskrydder.
- Brug kraftige handsker, når du installerer eller fjerner klinger, da de har skarpe kanter.
- Forsøg aldrig at røre ved eller stoppe en roterende klinge.
- En bevægelig klinge kan forårsage alvorlige skader. Sørg for at have ordentlig kontrol over produktet med begge hænder, indtil klingen er stoppet fuldstændigt med at dreje.
- En beskadiget klinge skal straks udskiftes. Kontrollér altid, at klingen er korrekt monteret og ordentligt fastgjort inden ibrugtagning.
- Brug kun producentens Tri-Arc-udskiftningsklinger. Der må ikke bruges andet skærende udstyr.
- Klip aldrig i materiale med en diameter på over 13 mm (0.5 in.).
- Din buskrydder er udstyret med en sele. I så fald skal denne skulderstrop indjusteres således, at den på en behagelig måde understøtter maskinens vægt og

EN
FR
DE
ES
IT
NL
PT
<b>DA</b>
SV
FI
NO
RU
PL
CS
HU
RO
LV
LT
ET
HR
SK
SL
SK
BG
UK

hænger på din højre side.

- Lokalisér hurtigudløsningsmekanismen, og øv dig i at bruge denne, inden du tager maskinen i brug. Korrekt brug af denne funktion kan forhindre alvorlige personskader i en nødsituation. Man må aldrig bære anden beklædning uden på skulderstroppen eller på anden måde begrænse adgangen til den hurtige udløsemekanisme.
- Beskyt klingen med klingebeskytteren inden opbevaring af produktet - eller under transport. Husk altid at fjerne klingebeskytteren, inden produktet tages i brug. I modsat fald risikerer man, at klingebeskytteren slynges ud, når klingen begynder at rotere.
- Vær meget påpasselig ved arbejdet med klingen på dette produkt. Klinge-tilbageslag er en reaktion, der kan opstå, når den roterende klinge rammer noget, som den ikke kan skære igennem. Denne kollision kan bevirke, at klingen stopper et øjeblik og pludselig "slår" enheden tilbage fra den ramte genstand. Denne reaktion kan være kraftig nok, til at operatøren mister kontrollen over produktet. Klinge-tilbageslag kan ske uden varsel, hvis klingens hængsel fast, går i stå eller blokerer. Faren, for at det sker, er størst i områder, hvor det er vanskeligt at se det materiale, der skæres i.
- For bedre skærekomfort og sikkerhed bør man angribe ukrudtet fra højre mod venstre. Herved minimeres klingens tilbageslag, hvis man skulle støde på en uventet genstand eller en træstub. Man skal altid bruge begge hænder til at kontrollere dette produkt.

**TRANSPORT OG OPBEVARING**

- Stop produktet, og lad det køle af, inden den opbevares eller transporteres.
- Afrens alle fremmedlegemer fra produktet. Hvis en skæreklinge tilpasses, skal det tildækkes med klingebeskytter.
- Opbevaring skal altid ske med afbrudt strømforsyning og oprullet kabel. Opbevar den på et køligt, tørt og godt ventileret sted utilgængeligt for børn. Opbevar motorsaven på afstand af ætsende midler som f.eks. havekemikalier og optøningsssalt. Må ikke opbevares udendørs.
- Til transport skal man sikre produktet, så den ikke kan bevæge sig eller vælte; dette for at forebygge personskader eller skader på produktet.

**VEDLIGEHOLDELSE**

**⚠ ADVARSEL**

Brug kun originale reservedele, ekstraudstyr og tilbehør fra producenten. I modsat fald er der fare for personskader, dårlig maskindrykning og annullering af garantien.

**⚠ ADVARSEL**

Vedligeholdelse kræver stor omhyggelighed og viden og kun bør udføres af en kvalificeret tekniker. Vi anbefaler du leverer enheden tilbage til dit nærmeste autoriserede service center til reparation. Skal dele udskiftes må kun identiske reservedele anvendes.

- Sluk produktet og fjern batteripakken, inden der udføres vedligeholdelses- eller rengøringsarbejde.
- Du kan lave justeringer og reparationer beskrevet i denne brugervejledning. Til andre reparationsopgaver skal man kontakte den autoriserede servicemontør.
- Tråden må kun udskiftes med en nylonfilamenttråd med den diameter, der er beskrevet i specifikationstabellen i denne brugsanvisning.
- Når man har monteret en ny tråd, skal produktet altid stilles tilbage i normal arbejdsposition, inden den startes.
- Produktet skal rengøres med en blød klud efter hver brug. Enhver del, som bliver beskadiget, skal repareres ordentligt eller udskiftes på et autoriseret servicecenter.
- Tjek ofte alle møtrikker, bolte og skruer om de sidder godt fast, og sørg for at produktet fungerer ordentligt.

**UUNDGÅELIGE RISICI**

Selv om produktet anvendes som foreskrevet, er det stadig umuligt at eliminere visse uundgåelige risikofaktorer fuldstændigt. Følgende risici kan opstå under brug, og operatøren bør være særligt opmærksom for at undgå følgende:

- Personskader forårsaget af vibration. Hold produktet i de hertil indrettede håndtag, og begræns arbejdstiden og eksponeringen.
- Fare for høreskader som følge af eksponering til støj. Benyt høreværn, og begræns eksponering.
- Personskade som følge af udslyngt affald. Der skal altid benyttes øjenværn.

Kontakt med klippeudstyr. Sørg altid for at montere knivskærmene, når produktet ikke anvendes. Hold altid hænder og fødder på afstand af klinger.

Når buskrydderen bruges, kan tilbageslag opstå. Hav ordentlig kontrol ved at bruge begge hænder på de dertil beregnede håndtag. Læs og følg forskrifterne i denne vejledning for at reducere risikoen for tilbageslag.

Risiko for nedfaldende genstande: Under buskrydning skal man benytte hovedværn, hvis der er fare for nedfaldende genstande.

**RISIKOREDUKTION**

Der er rapporteret om, at vibrationer fra håndholdte produkter kan være medvirkende til en lidelse kaldet Raynauds syndrom hos visse personer. Symptomerne herpå kan være prikken, følelseløshed og blegning

af fingrene, der normalt viser sig ved kuldepåvirkning. Faktorer som arvelighed, udsættelse for kulde og fugt, kost, rygning og arbejdsvaner menes alle at medvirke til udviklingen af disse symptomer. Der findes forholdsregler, som operatøren kan træffe for at begrænse påvirkningen fra vibrationer:

- Hold kroppen varm i koldt vejr. Brug handsker, så hænder og vriste holdes varme under arbejdet. Der er rapporteret om, at koldt vejr er en væsentlig faktor til Raynauds syndrom.
- Motionér efter hver arbejdsperiode for at øge blodcirkulationen.
- Hold hyppige arbejdspauser. Begræns eksponeringen for vibrationer pr. dag.

Hvis du mærker nogen af symptomerne på denne tilstand, skal du straks ophøre med arbejdet og søge læge.

**⚠ ADVARSEL**

Længere tids brug af et værktøj kan forårsage - eller forværrer - personskader. Når man bruger et værktøj i længere perioder ad gangen, skal man huske at holde hyppige pauser.

**KEND PRODUKTET**

Se side 154.

1. Overskaft
2. Cykelhåndtag
3. Tænd/sluk-kontakt
4. Udløser
5. Skaftkobling
6. Nederste skaft
7. Græsafsikærmning
8. Afklipningsklinge
9. Klippetråd
10. Trådudløser
11. Spoleskærm
12. Spole
13. Øje
14. Låseaktivering
15. Udløser med variabel hastighed
16. Forhåndtag
17. Skæreblassafsikærmning
18. Tri-Arc blad
19. Bladbeskytter
20. Batteri
21. Batteri-låseknap
22. Opladningskabel
23. Oplader

**SYMBOLER PÅ PRODUKTET**



Sikkerheds Varsel



Alle vejledninger skal læses og forstås, inden produktet benyttes; følg alle advarsler og sikkerhedsinstruktioner.



Benyt øjen-, høre- og hovedværn.



Benyt skridsikkert sikkerhedsfodtøj, når produktet anvendes.



Brug friktionsfri, kraftige handsker.



Må ikke udsættes for regn eller bruges på fugtige steder.



Produktet er ikke beregnet til brug med tandet savklinge.



Omdrejningsretning og max-hastighed for akslen for klippeudstyret.



Hiv: Hurtigudløsertap



Pas på udslyngede eller flyvende objekter. Hold tilskuere i sikker afstand fra produktet.



Pas på udslyngede eller flyvende objekter. Sørg for, at tilskuere (især børn og dyr) er mindst 15 m fra arbejdsområdet.



Hold hænderne på afstand af afkortningskniven.



Vær opmærksom på, at klingens pludseligt kan køre.



Tri-Arc-klingen er egnet til dette produkt og er velegnet til skæring af bløde ukrudtsplanter og slyngplanter.



Elektriske affaldsprodukter bør ikke afskaffes sammen med husholdningsaffald. Genbrug venligst hvor faciliteterne tillader dette. Tjek med din lokale kommune eller forhandler for genbrugsråd.



Dette redskab overholder alle lovkrav og standarder i det EU-land, hvor det er købt.



EurAsian overensstemmelsesmærke



Ukrainsk overensstemmelsesmærke



Garanteret lydeffektniveau for buskrydder



Garanteret lydeffektniveau for kanttrimmer

### SYMBOLER I DENNE BRUGSANVISNING



Tilslut til stikkontakt



Træk stikket ud af stikkontakten



Dele eller tilbehør, der sælges separat



Bemærk

De følgende ikoner og betydninger er beregnet til at forklare risikoen involveret i at anvende denne enhed.

#### **FARE**

Indikerer en meget farlig situation, som hvis ikke undgås, kan føre til alvorlige skader og i værste fald døden.

#### **ADVARSEL**

Indikerer en potentielt farlig situation, som hvis ikke undgås, kan føre til alvorlige skader og i værste fald døden.

#### **PAS PÅ**

Indikerer en potentielt farlig situation, som hvis ikke undgås, kan føre til mindre eller moderate skader.

#### **PAS PÅ**

Uden sikkerhedsadvarselssymbol

Indikerer en situation, som kan medføre materiel skade.

Säkerhet, prestanda och pålitlighet har varit högsta prioritet vid design av din sladdfria röjsåg och grästrimmer.

### ANVÄNDNINGSMÅL

Grästrimmern/busktrimmern är endast avsedd att användas av vuxna som har läst och förstått instruktionerna och varningarna i denna manual och vilka kan anses ansvariga för sina handlingar. Produkten är enbart avsedd för utomhusbruk på väl ventilerade områden. Av säkerhetsskäl ska båda händerna användas för korrekt manövrering av produkten.

Produkten som är utrustad med ett trimmerhuvud med tråd (och lämpligt skydd) är avsedd för att skära långt gräs, ogräs med mjuka stjälkar och liknande växtlighet på eller över marknivån. När produkten är utrustad med Tri-Arc™-blad (och adekvat skydd) kan den även klippa buskar.

Klipplanet bör vara parallellt med marken. Produkten ska inte användas för att kapa eller trimma häckar, buskar eller annan vegetation där skärplanet inte är parallellt med marknivån.

#### ⚠ VARNING

När man använder apparaten måste säkerhetsföreskrifterna följas. För din egen, och andra närvarandes säkerhet, läs alltid dessa instruktioner innan du använder produkten. Förvara instruktionerna på ett säkert ställe för användning vid senare tillfälle.

#### ⚠ VARNING

Produkten är inte avsedd för användning av barn eller personer med fysiska, mentala eller emotionella funktionshinder. Barn ska övervakas så att de inte leker med enheten.

### UTBILDNING

- Låt aldrig barn eller personer som inte har läst dessa anvisningar använda produkten.
- Läs igenom instruktionerna noga. Bekanta dig med reglagen och rätt användning av produkten.
- Håll området fritt från alla andra, barn och husdjur när du använder trimmern. Stoppa produkten om någon kommer i närheten.
- Använd aldrig produkten när du är trött, sjuk eller påverkad av alkohol, droger eller mediciner.
- Använd produkten enbart för att klippa gräs och lättare ogräs. Får ej användas för annat ändamål.
- Kom ihåg att användaren är ansvarig för olyckor och faror som uppstår för andra människor och deras egendom.

### FÖRBEREDELSE

- Använd alltid ögon- och hörselskydd vid användning av produkten. Skyddshjälm ska användas på platser där det finns risk för fallande föremål.

- Hörselskydd kan begränsa användarens möjlighet att höra varningsljud.
- Var extra uppmärksam på eventuella risker i och kring arbetsområdet.
- Bär grova, långa byxor, stövlar och handskar. Bär inte löst sittande kläder, korta byxor eller smycken. Ha skor på fötterna.
- Sätt upp hår som är längre än till axlarna så att det inte trasslas in i rörliga delar.
- Kontrollera före användning och efter påverkan att det inte finns några skadade delar. Ett defekt reglage eller någon del som är skadad eller sliten ska repareras eller ersättas av godkänt servicecenter.
- Se till att skärtilbehöret är korrekt installerat och ordentligt fäst.
- Använd inte maskinen om inte alla skydd, avvisare och handtag är korrekt och ordentligt monterade.
- Tänk på vilken omgivning du arbetar i. Håll arbetsområdet fritt från vajrar, pinnar, stenar och skräp som kan träffas och flyga iväg.

### ALLMÄNNA SÄKERHETSFÖRESKRIFTER

#### ⚠ VARNING

**Läs alla säkerhetsvarningar och alla instruktioner.** Om du inte följer varningarna och anvisningarna kan du orsaka elektrisk stöt, brand och allvarlig skada.

Spara dessa varningar och instruktioner för senare behov. Termen "kraftverktyg" i varningarna hänvisar till ditt eldrivna (med sladd) verktyg eller ditt batteridrivna (utan sladd) verktyg.

### ARBETSMILJÖ

- **Håll arbetsområdet rent och välupplyst.** Oordnade och mörka områden inbjuder till olyckor.
- **Använd inte kraftverktyg i explosiva atmosfärer, exempelvis i närheten av brännbara vätskor, gaser eller damm.** Kraftverktyg ger upphov till gnistor vilka kan antända damm eller ångor.
- **Håll barn och åskådare borta när du använder ett kraftverktyg.** Distraktioner kan få dig att tappa kontrollen.

### ELSÄKERHET

- **Kraftverktygets kontakt måste matcha uttaget. Modifiera inte kontakten på något sätt. Använd inga adapterkontakter med jordade kraftverktyg.** Omodifierade kontakter och matchande uttag minskar risken för elektrisk stöt.
- **Undvik kroppskontakt med jordade ytor, som exempelvis rör, element, spis och kylskåp.** Det föreligger en förhöjd risk för elektrisk stöt om din kropp är jordad.

- **Exponera inte produkten för regn eller våta förhållanden.** Vatten som tränger in i ett kraftverktyg ökar risken för elektrisk stöt.
- **Misshandla inte sladden.** Använd aldrig sladden för att bära, dra eller koppla bort kraftverktyget. Håll sladden borta från värme, olja, vassa kanter och rörliga delar. Skadade eller intrasslade elsladdar ökar risken för elektrisk stöt.
- **Använd en förlängningssladd avsedd för utomhusbruk när du använder kraftverktyget utomhus.** Användning av en sladd lämplig för utomhusbruk minskar risken för elektrisk stöt.
- **Använd en jordfelsbrytare om det är oundvikligt att använda ett kraftverktyg i en fuktig miljö.** Användningen av en jordfelsbrytare minskar risken för elektrisk stöt.

#### PERSONLIG SÄKERHET

- **Var uppmärksam på vad du gör och använd sunt förnuft när du använder ett kraftverktyg. Använd inte ett kraftverktyg när du är trött eller påverkad av droger, alkohol eller mediciner.** Ett ögonblicks ouppmärksamhet när du använder kraftverktyg kan orsaka allvarlig personskada.
- **Använd skyddsutrustning. Bär alltid ögonskydd.** Skyddsutrustning, som exempelvis andningsskydd, halkskyddade säkerhetsskor, huvudskydd och hörselskydd minskar i tillämpliga fall risken för personskador.
- **Förhindra oavsiktlig start. Säkerställ att strömbrytaren är i av-läge innan du ansluter till uttaget och/eller batteripaketet, innan du lyfter upp verktyget och innan du bär det.** Att bära kraftverktyg med fingret på avtryckaren eller kraftverktyg som är igång bjuder in olyckor.
- **Ta bort eventuella justerings- eller skiftnycklar innan du startar kraftverktyget.** En skiftnyckel eller justeringsnyckel som lämnas kvar i en roterande del av kraftverktyget kan orsaka personskada.
- **Sträck dig inte. Ha alltid ett bra fotfäste och en god balans.** Det ger dig bättre kontroll över kraftverktyget i oväntade situationer.
- **Klä dig korrekt. Använd inte löst åtsittande kläder eller smycken. Håll ditt hår, dina kläder och handskar borta från rörliga delar.** Lössittande kläder, smycken och långt hår kan fastna i rörliga delar.
- **Om några uppsamlingsenheter för damm och avfall medföljer ska dessa vara anslutna och användas på ett korrekt sätt.** Användningen av en dammuppsamlare kan minska dammrelaterade faror.

#### ANVÄND OCH TA HAND OM KRAFTVERKTYGET

- **Tvinga inte produkten. Använd rätt kraftverktyg för ditt jobb.** Rätt kraftverktyg gör jobbet bättre och säkrare om det används i den takt som det är designat för.

- **Använd inte kraftverktyget om strömbrytaren inte fungerar för att stänga av och sätta på verktyget.** Alla kraftverktyg som inte kan kontrolleras med strömbrytaren är farliga och måste repareras.
- **Koppla från eluttaget och/eller batteripaketet från elverktyget före justeringar, byte av tillbehör eller förvaring.** Sådana förebyggande åtgärder minskar risken för att kraftverktyget startar oavsiktligt.
- **Förvara avstängda kraftverktyg utom räckhåll för barn och låt inte personer som är obekanta med kraftverktyg, eller dessa instruktioner, använda kraftverktyget.** Kraftverktyg är farliga i händerna på otränade användare.
- **Underhåll dina kraftverktyg. Kontrollera så att inga rörliga delar är felinriktade eller sitter fast, att inga delar har gått sönder samt att ingenting annat föreligger som kan påverka kraftverktygets användning. Reparera kraftverktyget innan användning om det är skadat.** Många olyckor uppstår på grund av dåligt underhållna kraftverktyg.
- **Håll skärverktyg vassa och rena.** Korrekt underhållna skärverktyg med vassa skärkanter fastnar inte lika lätt och är lättare att kontrollera.
- **Använd kraftverktyget, tillbehören och borrspetsar etc. i enlighet med dessa anvisningar och ta hänsyn till arbetsförhållanden och det jobb som ska utföras.** Användning av kraftverktyget till andra saker än det är avsett för kan resultera i en farlig situation.

#### ANVÄNDNING OCH UNDERHÅLL AV BATTERIET

- **Använd endast den batteriladdare som tillverkaren rekommenderar.** En batteriladdare som passar en typ av batteripack kan vara en brandfara om den används med en annan typ av batteripack.
- **Använd eldrivna verktyg med batteripaket som är speciellt utformade för användning tillsammans med produkterna.** Om du använder andra batteripaket ökar du risken för skador och brand.
- **När batteripaketet inte används ska det hållas bort från metallföremål som gem, mynt, nycklar, spikar, skruvar och andra små metallföremål som kan kortslua batteriets kontakter.** Vid kortslutning av batteriets kontakter finns det risk för brännskador eller brand.
- **Vätska kan läcka ut från batteripaketet vid felaktig användning; undvik kontakt med vätskan. Spola med vatten om du kommer i kontakt med den.** Uppsök omedelbart läkarhjälp om du får vätska i ögonen.
- **Den kan orsaka irritation och brännskador.**

#### UNDERHÅLL

- **Låt en kvalificerad serviceperson serva ditt kraftverktyg med identiska utbytesdelar.** Detta säkerställer att kraftverktygets säkerhet bibehålls.



**⚠ VARNING**

Använd aldrig skärenheter eller tillbehör som inte har specificerats av Ryobi i denna bruksanvisning. Detta inkluderar användning av svängkedjor av metall i flera delar och ledade skärblad. Dessa enheter är kända för att brytas sönder under användning och utgör en hög risk för att användaren eller andra närvarande personer skadas allvarligt.

**⚠ VARNING**

Inspektion efter att produkten tappats eller utsatts för stötar: Kontrollera produkten noggrant för att identifiera eventuella skador på den. Skadade delar skall repareras ordentligt eller bytas ut av en auktoriserad servicefirma.

**SÄKERHETSFÖRESKRIFTER FÖR TRÄDTRIMMER**

- I vissa regioner finns regleringar som begränsar användning av produkten. Ta kontakt med lokala myndigheter för information.
- Låt aldrig barn eller personer som inte har läst dessa anvisningar använda produkten.
- Använd produkten i dagsljus eller bra konstgjort ljus.
- Undvik användning på vått gräs.
- Gå inte baklänges när produkten används.
- Bibehåll ett bra brofäste och bra balans. Sträck dig inte. Att sträcka sig kan resultera i balansförlust. Se till att du har ordentligt fotfäste i lutningar. Gå. Spring aldrig.
- Använd inte produkten om det finns risk för blixtnedslag.
- Exponera inte produkten för regn eller våta förhållanden. Om vatten kommer in i maskinen ökar risken för elektrisk stöt.
- Håll åskådare, barn och husdjur på minst 15 meters avstånd. Stoppa produkten om någon kommer i närheten.
- Håll skärtilbehöret lägre än midjehöjd.
- Använd aldrig produkten med skadade skydd eller utan skydd.
- Montera aldrig en utbyteslina av metall.
- Håll alltid händer och fötter borta från trimmerdelarna, speciellt under motorstart.
- Var försiktig, skärdelarna fortsätter snurra efter att motorn stängts av.
- Se upp för föremål som kastas i väg av skäranordningen. Rensa bort skräp som småstenar, grus och andra främmande föremål från arbetsområdet innan arbetet påbörjas. Vajrar eller tråd kan trasslas in i skärverktyget.
- Stäng av och koppla ur väggkontakten innan:
  - service
  - att lämna produkten utan tillsyn
  - rengöring eller rensning av ett stopp

- byte av tillbehör
- efter att ha slagit i något skall man kontrollera ev. skador
- kontrollera ev. skador om produkten börjar vibrera onormalt
- Underhåll
- ta bort bladet
- montera skärbladet
- Det lilla bladet som sitter på skärskyddet är för att klippa av trimmertråd till korrekt längd för säker användning och bra resultat. Bladet är mycket vasst, undvik beröring, speciellt vid rengöring.
- Säkerställ alltid att ventilationshålen är öppna och fria från smuts.
- Se till att skärtilbehöret är korrekt installerat och ordentligt fast.
- Se till att alla skydd, avvisare och handtag sitter fast ordentligt
- Ändra inte produkten på något sätt. Batteriet blir varmt endast vid långvarig användning av verktyget.
- Använd enbart ersättningsstråd från tillverkaren. Använd inga andra skärtilbehör.

**SÄKERHETSFÖRESKRIFTER FÖR BUSKTRIMMER**

- Utöver riktlinjerna ovan bör följande instruktioner beaktas när produkten används i busktrimningsläge.
- Använd grova arbetshandskar vid montering och demontering av bladen eftersom dessa har vassa kanter.
- Försök inte att vidröra eller stoppa bladet när det roterar.
- Ett rörligt blad kan orsaka allvarliga olyckor. Behåll ordentlig kontroll över produkten med hjälp av båda händerna ända tills bladet helt har slutat rotera.
- Byt ut alla blad som har blivit skadade. Kontrollera alltid att bladet är korrekt monterat och fastsatt innan användning.
- Använd enbart tillverkarens utbytes-Tri-Arc-blad. Använd inga andra skärtilbehör.
- Klipp aldrig i material som är tjockare än 1.25 cm (0.5 in.) i diameter.
- Din busktrimmer är utrustad med en sele. Var noga med att ställa in selen så att den på ett bekvämt sätt bär maskinens vikt när den hänger på din högra sida.
- Ta reda på snabbkopplingsmekanismen och testa den innan du börjar använda maskinen. Korrekt användning av den kan förhindra allvarliga skador i nödfall. Bär aldrig extrakläder över selen eller på annat sätt förhindra åtkomsten till snabbutlösningen.
- Täck bladet med bladskyddet innan du förvarar eller transporterar enheten. Ta alltid av bladskyddet innan enheten används. Om det inte tas bort kan bladskyddet kastas iväg när bladet börjar snurra.

- Var extremt försiktig när du använder blad med produkten. Bladslag är den reaktion som sker när det roterande bladet slår mot något som det inte kan skära. Denna kontakt kan få bladet att stanna en kort stund och plötsligt "kasta" iväg enheten från föremålet som det träffade. Detta återkast kan vara så kraftig att användaren kan tappa kontrollen över enheten. Återkast kan uppstå utan förvarning om bladet hakar i, stannar eller fastnar. Det uppstår oftare på ställen där man inte kan se det man skär.
- För att det ska vara enklare och säkrare ska du skära grenarna från höger till vänster. Om ett oväntat föremål eller träbit stöts på kan det minimera bladets slagreaktion. Båda händerna måste alltid användas för att kontrollera den här produkten.

### TRANSPORT OCH FÖRVARING

- Stoppa produkten och låt den svalna före transport eller förvaring.
- Ta bort allt främmande material från produkten. Om ett skärblad har monterats, täck det med ett bladskydd.
- Vid förvaring skall den alltid vara urkopplad från vägguttaget och kabeln upprullad Förvara den svalt och välventilerat på en plats där barn inte kan komma åt den. Förvara på avstånd från frätande medel, t.ex. trädgårdskemikalier och vägsalt. Förvara den inte utomhus.
- Vid transport ska produkten säkras mot rörelser eller fallande för att förhindra personskadorna eller att produkten skadas.

### UNDERHÅLL

#### ⚠ VARNING

Använd enbart ersättningsdelar och tillbehör från tillverkaren. Om inte kan det eventuellt orsaka skador, sämre resultat och kan upphäva garantin.

#### ⚠ VARNING

Att serva produkten kräver extrem försiktighet och kunskap och bör endast utföras av en kvalificerad servicetekniker. Vi rekommenderar att du returnerar produkten till ditt närmsta auktoriserade servicecenter för reparation. Använd endast identiska utbytesdelar när produkten servas.

- Slå från och ta bort batterierna innan du utför något underhålls- eller rengöringsarbete.
- Du kan göra de justeringar och reparationer som beskrivs i den här manualen. För alla andra reparationer ska godkänt servicecenter kontaktas.
- Använd enbart den specificerade nylontråden (finns i specifikationsstabell i denna manual) vid utbyte.

- När ny skärtråd är ute ska maskinen tillbaka i normalt arbetsläge innan den startas.
- Efter rengöring ska maskinen alltid rengöras med en mjuk torr trasa. Skadade delar skall repareras ordentligt eller bytas ut av en auktoriserad servicefirma.
- För att vara säker på att produkten är säker att använda, kontrollera alla muttrar, bultar och skruvar regelbundet för att säkerställa att de är åtdragna ordentligt.

### KVARSTÅENDE RISKER

Även om produkten används enligt instruktionerna går det inte att eliminera alla eventuella riskfaktorer. Följande risker kan uppkomma under bruk och användaren ska vara extra uppmärksam för att undvika följande:

- Skada orsakad av vibration.
- Håll produkten i de avsedda handtagen och begränsa arbetstid och exponering.
- Hörselskada orsakad av oljud.
- Använd hörselskydd och begränsa exponeringen.
- Skador orsakade av kringkastade föremål
- Använd alltid lämpligt ögonskydd.

Kontakt med skäraggatet. Se till att bladskydden alltid sitter på när produkten inte används. Håll alltid händer och fötter på säkert avstånd från bladen.

Det kan förekomma kast när du använder röjtrimmern. Säkerställ fullständig kontroll genom att använda båda händerna på det avsedda handtaget. Läs och följ anvisningarna i denna manual för att minska slagrisken.

Risk för fallande föremål: Om det finns risk för fallande föremål ska skyddshjälmar bäras vid arbete med röjsåg.

### RISKMINSKNING

Det finns rapporter om att vibrationer från handhållna produkter kan bidra till ett tillstånd som kallas Raynauds syndrom för vissa personer. Symptomen brukar vara att det sticker i fingrarna och att de domnar bort; fingrarna kan också bli vita, särskilt vid kyla. Årftliga faktorer, kyla och fukt, diet, rökning och arbetsrutiner tros alla bidra till att orsaka dessa symptom. Det finns förebyggande åtgärder som du kan vidta för att försöka minska vibrationernas påverkan:

- Håll dig varm när du arbetar i kallt väder. Använd handskar för att hålla händer och handleder varma under användning. Kyla har rapporterats som en viktig del i utvecklandet av Raynauds syndrom.
- Träna och rör på dig efter varje användningstillfälle för att öka blodcirkulationen.
- Ta ofta pauser från arbetet. Begränsa tiden du utsätter dig varje dag.

Upphör omedelbart om du upplever några av dessa symptom och uppsök din läkare.

**⚠ VARNING**

Risk för person- eller slitageskador vid användning av verktyget under lång tid. Om verktyget används under längre perioder krävs regelbundna pauser.

**LÄR KÄNNA PRODUKTEN**

Se sida 154.

1. Övre skaft
2. Cykelstyre
3. Omkopplare av/på
4. Avtryckare
5. Skaftkoppling
6. Nedre skaft
7. Gräsavvisare
8. Skärblad
9. Skärtråd
10. Matningsknöl
11. Rullens kåpa
12. Rulle
13. Ögla
14. Låsutlösare
15. Reglage för variabel hastighet
16. Främre handtag
17. Bladskydd
18. Tri-Arc-blad
19. Bladskydd
20. Batteri
21. Knapp för batterispärr
22. Kabel till laddare
23. Batteriladdare

**SYMBOLER PÅ PRODUKTEN**

Säkerhetsvarning



Läs igenom och var införstådd med alla instruktioner före användning av produkten, var uppmärksam på alla varningar och säkerhetsinstruktioner.



Använd alltid ögon-, hörsel- och ansiktsskydd.



Bär halkskyddade säkerhetsskor när du använder produkten.



Används halkfria, grova skyddshandskar.



Utsätt inte för regn eller våta omgivning.



Produkten är inte avsedd för användning med ett sågtandat blad.



Rotationsriktning och maximal hastighet hos skaftet för klipptillbehöret.



Dra: Snobblossningsflik



Se upp med kringkastade eller flygande föremål. Håll åskådare på säkert avstånd från produkten.



Se upp med kringkastade eller flygande föremål. Håll alla åskådare, barn och husdjur på minst 15 meters avstånd från arbetsområdet.



Håll händerna borta från sågbladen.



Var uppmärksam på slag från bladet.



Tri-Arc-blad passar på denna produkt och lämpar sig för att klippa mjukt ogräs och klångväxter.



Gamla elektroniska produkter ska inte kastas med hushållsoporna. Återvinn där sådana faciliteter finns. Kontrollera med din lokala myndighet eller säljaren för att få återvinningstips.



Detta verktyg uppfyller alla standarder i de EU-länder där det kan köpas.



EurAsian överensstämmelsesymbol



Ukrainskt märke för överensstämmelse



Garanterad ljudeffektsnivå för röjsåg



Garanterad ljudeffektsnivå för grässtrimmer

**SYMBOLER I MANUALEN**

Koppla den till ett väggurtag



Urkoppling från väggurtag



Delar och utrustning säljs separat



Notera

Följande signalord och betydelser är tänkta att förklara de olika risknivåerna som är associerade med denna produkt.

**⚠ FARA**

Indikerar en överhängande farlig situation som kan, om den inte undviks, resultera i dödsfall eller allvarlig skada.

**⚠ VARNING**

Indikerar en potentiellt farlig situation som kan, om den inte undviks, resultera i dödsfall eller allvarlig skada.

**⚠ PÅMINNELSE**

Indikerar en potentiellt farlig situation som kan, om den inte undviks, resultera i mindre eller medelstora skador.

**PÅMINNELSE**

Utan säkerhetssymbol

Visar på en situation som kan orsaka skada på egendom.

Langattoman pensasleikkurisi ja ruohotrimmerisi suunnittelussa on pidetty etusijalla turvallisuutta, suorituskykyä ja luotettavuutta.

### KÄYTTÖTARKOITUS

Siimaleikkuria/raivaussahaava saavat käyttää vain aikuiset, jotka ovat lukeneet tässä käyttöohjeessa olevat ohjeet ja varoitukset ja ymmärtävät niiden sisällön ja joiden voidaan katsoa olevan vastuussa omista teoistaan. Tuote on tarkoitettu ainoastaan ulkokäyttöön hyvin tuulettuilla alueilla. Turvallisuuden varmistamiseksi tuotetta on ohjattava hallintakahvoilla kahdella kädellä.

Siimapäällä (ja vastaavalla suojalla) varustettu tuote on tarkoitettu pitkän ruohon, rikkaruohojen ja vastaavan kasvillisuuden leikkuuseen maanpinnan tasolla tai hieman sitä korkeammalla. Kun tuotteeseen asennetaan Tri-Arc™-terä (ja sen suojus), laitteella voi raivata myös pensaikkoo. Leikkuutaso on oltava suunnilleen maanpinnan suuntainen. Laitetta ei saa käyttää pensasaitojen, pensaikkojen tai muun kasvillisuuden leikkaukseen eikä trimmaukseen, jos leikkuutaso ei ole maanpinnan suuntainen.

### VAROITUS

Noudata turvallisuussääntöjä tuotetta käyttäessäsi. Oman ja sivullisten turvallisuuden vuoksi, lue nämä ohjeet ennen tuotteen käynnistämistä. Säilytä ohjeet tulevaa käyttöä varten.

### VAROITUS

Tuotetta ei ole tarkoitettu lasten eikä sellaisten ihmisten käytettäväksi, joiden ruumiin, aistien tai mielen suorituskyky on heikentynyt. Lapsia on pidettävä silmällä, jotta he eivät pääse leikkimään lisälaitteilla.

### KOULUTUS

- Älä anna lasten tai käyttöohjeita tuntemattomien ihmisten käyttää tuotetta.
- Lue ohjeet huolella. Opi käyttämään kaikkia ohjaimia ja laitteita asianmukaisesti.
- Pidä sivulliset, lapset ja lemmikit poissa alueelta trimmeriä käytettäessä. Sammuta tuote, jos alueelle tulee joku.
- Älä koskaan käytä tuotetta väsyneenä, sairaana tai alkoholin, huumeiden tai lääkkeiden vaikutuksen alaisena.
- Tuotteella saa leikata ainoastaan ruohoa ja ohuita rikkaruohoja. Älä käytä muihin tarkoituksiin.
- Muista, että ruohonleikkurin käyttäjä on vastuunalainen vahingoista ja vaaroista, jotka hän aiheuttaa muille ihmisille ja heidän omaisuuksilleen.

### VALMISTELUT

- Käytä tuotetta käyttäessäsi täysisiä suojalaseja ja kuulosuojaimia. Suojakypärää on käytettävä alueilla, joissa on putoavien kappaleiden vaara.
- Kuulosuojaimet voivat rajoittaa käyttäjän kykyä kuulla varoitusääniä.
- Kiinnitä erityistä huomiota mahdollisiin vaaratekijöihin työalueella ja sen ympärillä.
- Käytä paksuja pitkiä housuja, saappaita ja käsineitä. Älä käytä löysiä vaatteita, shortseja tai minkäänlaisia koruja tai kulje paljasjaloin.
- Sido pitkät hiukset hartioiden yläpuolelle, jotta ne eivät pääse tarttumaan liikkuviin osiin.
- Tarkista ennen käyttöä ja aina iskun jälkeen, että laitteessa ei ole vioittuneita osia. Valtuutetun huoltopisteen on korjattava tai vaihdettava viallinen kytkin tai muu vahingoittunut tai kulunut osa asianmukaisesti.
- Tarkista, että leikkuupää on asennettu asianmukaisesti ja tukevasti.
- Älä koskaan käytä tuotetta ilman, että kaikki suojukset, hihnat, ohjauslevyt ja kädensijat on kiinnitetty tukevasti.
- Huomioi ympäristöä, missä työskentelet. Pidä työalue vapaana johdoista, kepeistä, kivistä ja roskista, jotka saattavat sinkoutua leikkurin osuessa niihin.

### YLEISET TURVALLISUUSVAROITUKSET

### VAROITUS

**Lue kaikki turvallisuusvaroitukset ja ohjeet.** Varoitusten ja ohjeiden laiminlyönnistä voi seurata sähköisku, tulipalo ja/tai vakava loukkaantuminen.

Säilytä nämä varoitukset ja ohjeet myöhemmää tarvetta varten. Sana "sähkötyökalu" viittaa varoituksissa verkkovirta- (langalliseen) tai akkukäyttöiseen (langattomaan) sähkötyökaluun.

### TYÖYMPÄRISTÖ

- **Pidä työalue siistinä ja valoisaan.** Epäjärjestyksessä olevat ja pimeät alueet myötävaikuttavat onnettomuuksiin.
- **Älä käytä sähkötyökalua räjähdyksalttiissa paikoissa, kuten helposti syttyvien nesteiden tai kaasujen tai pölyn läheisyydessä.** Sähkötyökalut kipinöivät, mikä saattaa sytyttää pölyn tai höyryt.
- **Pidä lapset ja sivulliset loitolla, kun käytät sähkötyökaluja.** Häiriöt voivat saada koneen riestäytymään hallinnasta.

### SÄHKÖTURVALLISUUS

- **Pistokkeen on sovittava pistorasiaan. Älä koskaan muunna pistoketta millään tavalla. Älä käytä maadoitettujen sähkötyökalujen kanssa minkäänlaisia sovitinpistokkeita.** Alkuperäiset

pistokkeet ja niitä vastaavat pistorasiat pienentävät sähköiskun vaaraa.

- **Älä kosketa maadoitettuihin pintoihin, kuten putkiin, lämpöpattereihin, helleihin tai jääkaappeihin.** Jos ruumiisi on maadoitettu, sähköiskun vaara on suurempi.
- **Älä altista tuotetta sateelle tai kosteudelle.** Sähköyökaluun joutunut vesi kasvattaa sähköiskun vaaraa.
- **Pidä huolta sähköjohdosta. Älä koskaan kannan tai vedä sähköyökalua johdosta tai irrota pistoketta johdosta vetämällä.** Pidä johto etäällä kuumista paikoista, öljystä, terävistä kulmista ja liikkuvista osista. Vioittunut tai takkuinen johto lisää sähköiskun vaaraa.
- **Kun käytät sähköyökalua ulkotiloissa, käytä ulkokäyttöön sopivaa jatkojohtoa.** Ulkokäyttöön sopivan johdon käyttö pienentää sähköiskun vaaraa.
- **Jos sähköyökalua on pakko käyttää kosteissa tiloissa, käytä jäännösvirtalaitteella (RCD) suojattua pistorasiaa.** RCD:n käyttö pienentää sähköiskun vaaraa.

#### KÄYTTÄJÄN TURVALLISUUS

- **Ole valpas, katso mitä teet ja käytä maalaisjärkeä, kun käytät sähköyökalua.** Älä käytä sähköyökalua väsyneenä tai huumeiden, alkoholin tai lääkkeiden vaikutuksen alaisena. Tarkkaamattomuus sähköyökalua käytettäessä saattaa johtaa vakavaan loukkaantumiseen.
- **Käytä henkilökohtaisia suojavarusteita.** Käytä aina suojalaseja. Suojalaitteet, kuten pölynaamari, luistamattomat suojakengät, kypärä ja kuulosuojaimet vähentävät loukkaantumisen vaaraa.
- **Älä anna koneen käynnistyä vahingossa.** Varmista, että katkaisin on pois päältä, ennen kuin kytket koneen virtalähteeseen ja/tai akkuun ja ennen kuin nostat tai kannat konetta. Sähköyökalun kantaminen sormi katkaisimella ja virran kytkeminen koneeseen, joka on päällä, saattaa johtaa onnettomuuksiin.
- **Irrota säätöavaimet ja jakoavaimet ennen sähköyökalun käynnistystä.** Sähköyökalun pyöriivään osaan jätetty jako- tai säätöavain saattaa johtaa loukkaantumiseen.
- **Älä kurkota liian pitkälle.** Pysytele tukevasti jaloillasi äläkä kurkota käsivartta liian kauas. Tällöin sähköyökalua on helpompi hallita odottamattomissa tilanteissa.
- **Älä pukeudu väliin vaatteisiin, kravattiin tai koruihin, jotka voivat juuttua liikkuviin osiin.** Älä käytä väliä vaatteita tai koruja. Pidä hiukset, vaatteet ja käsineet etäällä liikkuvista osista. Löysät vaatteet, korut ja pitkät hiukset saattavat tarttua liikkuviin osiin.
- **Jos laitetta varten on pölynpoisto- ja keräyslaite, kytke se asianmukaisesti ja käytä sitä oikein.** Pölyn kerääminen voi vähentää pölyyn liittyviä vaaroja.

#### SÄHKÖYÖKALUN KÄYTTÖ JA HUOLTO

- **Älä pakota tuotetta.** Käytä työhön sopivaa sähköyökalua. Asianmukainen sähköyökalu hoitaa työt paremmin ja turvallisemmin sillä vauhdilla, jota varten se on suunniteltu.
- **Älä käytä sähköyökalua, jos se ei käynnisty ja sammu katkaisimesta.** Jos sähköyökalua ei voida hallita katkaisimella, se on vaarallinen ja vaatii korjaamista.
- **Irrota pistoke virranlähteestä ja/tai akku työkoneesta, ennen kuin teet säätöjä, vaihdat varusteita tai varastoit koneen.** Tällaiset varotoimet pienentävät sitä vaaraa, että kone käynnistyy vahingossa.
- **Varastoi sähköyökalu pois lasten ulottuvilta äläkä anna kenenkään, joka ei tunne työkonetta tai näitä ohjeita, käyttää sitä.** Sähköyökalut ovat vaarallisia kouluttamattomien käyttäjien käsissä.
- **Huolla sähköyökalut.** Tarkista, että liikkuvat osat on kohdistettu oikein ja että ne liikkuvat kunnolla, että osia ei ole rikkoutunut ja että mikään muu seikka ei haittaa sähköyökalun toimintaa. Jos sähköyökalu vioittuu, korjaa se ennen käyttöä. Onnettomuudet johtuvat usein sähköyökalujen huonosta huollosta.
- **Pidä leikkuutyökalut terävinä ja puhtaina.** Asianmukaisesti huolletut leikkuutyökalut, joiden leikkuupinnat ovat teräviä, eivät jumiuudu helposti ja niitä on helppo hallita.
- **Käytä työkonetta, lisävarusteita, teriä jne. näiden ohjeiden mukaisesti, ja huomioi työolosuhteet ja tehtävän työn laatu.** Työkoneen käyttö muuhun kuin sille tarkoitettuun työhön voi aiheuttaa vaarallisia tilanteita.

#### AKKUKÄYTTÖISEN TYÖKALUN KÄYTTÖ JA HOITO

- **Käytä lataukseen ainoastaan valmistajan suosittelemaa laturia.** Yhden tyyppiselle akulle sopivan laturin käyttö toisenlaisen akun kanssa voi olla vaarallista.
- **Käytä sähköyökalua ainoastaan sitä varten suunniteltujen akkujen kanssa.** Muiden akkujen käyttö voi johtaa loukkaantumiseen ja tulipaloon.
- **Kun akkua ei käytetä, pidä se erillään metalliesineistä, kuten paperiliittimistä, kolikoista, avaimista, nauloista, ruuveista ja muista pienistä metalliesineistä, jotka voivat yhdistää akun navat.** Akun napojen oikosulkeminen voi aiheuttaa palovammoja ja tulipaloon.
- **Jos akkua käsitellään väärin, siitä voi vuotaa nestettä; älä kosketa sitä.** Jos kosketat sitä vahingossa, huuhtelee se vedellä. Jos nestettä pääsee silmiin, hakeudu lisäksi lääkärin hoitoon.
- **Akusta vuotanut neste voi ärsyttää ihoa ja aiheuttaa palovammoja.**

**HUOLTO**

- Huollata työkone pätevällä huoltomiehellä, joka käyttää ainoastaan asianmukaisia varaosia. Tämä varmistaa, että sähkötyökalu on turvallinen.

**VAROITUS**

Älä käytä koskaan leikkureita tai lisälaitteita, joita Ryobi ei ole esitellyt tässä käyttöoppaassa. Tämä käsittää moniosaisten metallisten pyörivien ketjujen ja varstaterien käytön. Nämä rikkoutuvat helposti käytössä ja voivat vahingoittaa käyttäjää tai lähellä olevia vakavasti.

**VAROITUS**

Tarkastaminen pudottamisen ja muiden iskujen jälkeen: Tarkista tuote huolella ja paikanna kaikki vauriot ja viat. Valtuutetun huoltopisteen on korjattava tai vaihdettava vioittuneet osat asianmukaisesti.

**SIIMATRIMMERIN TURVALLISUUSVAROITUKSET**

- Joillain alueilla vallitsee säädöksiä, jotka rajoittavat tämän tuotteen käyttöä. Pyydä paikallisia viranomaisilta neuvoa.
- Älä anna lasten tai käyttöohjeita tuntemattomien ihmisten käyttää tuotetta.
- Käytä tuotetta päivänvalossa tai hyvässä keinovalossa.
- Vältä käyttöä märällä ruoholla.
- Älä kävele takaperin tuotetta käytettäessäsi.
- Pidä vakaa tasapaino. Älä kurkota liian pitkälle. Liian pitkälle kurkotta minen saattaa johtaa tasapainon menettämiseen. Seiso rinteissä aina tukevasti. Kävele, älä koskaan juokse.
- Älä käytä tuotetta paikassa, jossa on salamaniskun vaara.
- Älä altista tuotetta sateelle tai kosteudelle. Veden pääsy laitteeseen lisää sähköiskun vaaraa.
- Pidä sivulliset, lapset ja lemmikit 15 metrin etäisyydellä työalueesta. Sammuta tuote, jos alueelle tulee joku.
- Pidä leikkuupää pää vyötärön alapuolella.
- Älä koskaan käytä tuotetta, jos sen suojukset ovat vioittuneita tai puuttuvat.
- Älä koskaan asenna metallista varasiimaa.
- Pidä kädet ja jalat hyvin kaukana terästä koko ajan, varsinkin konetta käynnistäessä.
- Varo – leikkuuelementit jatkavat pyörimistä moottorin sammuttamisen jälkeen.
- Varo leikkuusiiman sinkoamia kappaleita. Siivoa työalueelta roskat, kuten pienet kivet, sora ja muut vieraskappaleet, ennen käytön aloittamista. Leikkuulaitteeseen voi tarttua johtoja tai lankoja.
- Sammuta laite ja irrota se virtalähteestä ennen seuraavia toimintoja:

- huolto
  - tuotteen jättäminen valvomatta
  - ennen tuotteen puhdistamista tai tukoksen poistamista.
  - lisävarusteiden vaihtaminen
  - vaurioiden tarkistaminen esineeseen osumisen jälkeen
  - vaurioiden tarkistaminen, jos tuote alkaa täräistä epänormaalisti
  - huolto
  - terän irrotus
  - terän asennus
- Ruohosuojaan kiinnitetty pieni terä on suunniteltu trimmaamaan uusi siima oikean pituiseksi turvallisen ja optimaalisen toiminnan takaamiseksi. Se on hyvin terävä; älä kosketa sitä puhdistatessasi laitetta.
  - Pidä aina huoli siitä, että tuuletusaukoissa ei ole roskaa.
  - Tarkista, että leikkuupää on asennettu asianmukaisesti ja tukevasti.
  - Varmista, että kaikki suojukset, ohjauslevyt ja kädensijat on kiinnitetty tukevasti.
  - Älä muokkaa tuotetta millään tapaa. akku kuumenee vain silloin, kun työkalua käytetään pitkään.
  - Käytä ainoastaan valmistajan tuottamaa siimaa. Älä käytä muita leikkuuvälineitä.

**RAIVAUSSAHAN TURVAMÄÄRÄYKSET**

- Yllä olevien määräysten lisäksi on noudatettava näitä lisäohjeita, kun tuotetta käytetään raivaussahana.
- Terien reunat ovat terävät ja siksi terien asennuksen tai irrotuksen yhteydessä on käytettävä tukevia käsineitä.
- Älä yritä koskettaa tai pysäyttää terää sen pyöriessä.
- Liikkuva terä voi aiheuttaa vakavia vammoja. Pidä tuote hallinnassasi molemmilla käsikahvoilla, kunnes terän pyöriminen on loppunut täysin.
- Vaihda vioittuneet terät. Varmista ennen käyttöä, että asensit terän oikein ja tukevasti.
- Käytä ainoastaan valmistajan Tri-Arc-varaterää. Älä käytä muita leikkuuvälineitä.
- Älä koskaan leikkaa yli 1.25 cm (0.5 in.) paksuisia materiaaleja.
- Raivaussahassa on valjaat. Säädä valjaat huolella siten, että ne auttavat mukavasti tukemaan laitteen painon ja ripustavat sen oikealle puolellesi.
- Paikanna pikavapautusmekanismi ja harjoittele sen käyttöä ennen kuin alat käyttää laitetta. Sen asianmukainen käyttö voi hätätilanteessa estää vakavan loukkaantumisen. Älä koskaan käytä vaatteita valjaiden päällä tai muutoin estä pikavapautusmekanismin käyttöä.
- Peitä terä teränsuojuksella ennen yksikön varastointia sekä kuljetuksen ajaksi. Irrota teräsuojus aina ennen laitteen käyttöä. Jos suojusta ei irroteta, se saattaa singota laitteesta terän alkaessa pyöriä.



- Ole erittäin varovainen käyttäessäsi tuotteen terää. Jos terä koskettaa kappaletta, jota se ei voi leikata, se potkaisee takaisin. Tämä voi saada terän pysähtymään hetkeksi ja "työntämään" laitetta pois päin kappaleesta, johon se osui. Tämä reaktio voi olla niin voimakas, että laite riistyy käyttäjän hallinnasta. Tällainen takapotku saattaa tapahtua varoittamatta, jos terä juuttuu, jumittuu tai takertuu. Tämä tapahtuu todennäköisimmin paikassa, jossa leikkauskohdetta on vaikea nähdä.
- Jotta leikkuu olisi helppoa ja turvallista, leikkaa ruohoja oikealta vasemmalta. Tämä minimoi takapotkun, jos terä törmää odottamatta kappaleeseen tai kantoon. Tuotteen hallintaan on aina käytettävä kahta kättä.

### KULJETUS JA VARASTOITAESSA

- Sammuta tuote ja anna sen jäähtyä riittävästi ennen varastointia tai kuljetusta.
- Puhdista laitteesta kaikki vieraat materiaalit. Jos asennettuun paikkaan, jossa lapset eivät pääse siihen käsiksi. Pidä poissa syövyttäviltä aineilta kuten puutarhakemikaaleilta ja jäänsulatussuolalta. Älä säilytä ulkona.
- Kiinnitä tuote kuljetettaessa siten, että se ei pääse liikkumaan tai kaatumaan, jotta välttyä loukkaantumisilta ja vaurioilta.

### HUOLTO

#### ⚠ VAROITUS

Käytä ainoastaan alkuperäisiä valmistajan tuottamia varaosia, lisälaitteita ja lisävarusteita. Tämän noudattamatta jättäminen voi johtaa loukkaantumiseen ja huonoon tulokseen ja voi mitätöidä takuun.

#### ⚠ VAROITUS

Huolto kaipaa suurta huolellisuutta ja hyvää työkalun tuntemusta. Se on annettava pätevän teknikon tehtäväksi. Suosittelemme, että viet työkalun korjattavaksi lähimpään valtuutettuun liikkeeseen. Käytä vaihdossa yksinomaan alkuperäisiä varaosia.

- Kytke virta pois ja irrota akku ennen kuin teet mitään puhdistus- tai huoltotoimenpidettä.
- Voit tehdä tässä käyttöoppaassa kuvattuja säätöjä ja korjauksia. Jos laite vaatii muuta huoltoa, ota yhteys valtuutettuun huoltopisteeseen.
- Käytä vaihtosiimana ainoastaan nailonsiimaa, jonka läpimitta vastaa tämän käsikirjan teknisten tietojen taulukkoa.

- Kun pidennät siimaa, palauta laite aina normaaliin käyttöasentoon ennen sen käynnistystä.
- Puhdista tuote aina käytön jälkeen pehmeällä ja kuivalla liinalla. Valtuutetun huoltopisteen on korjattava tai vaihdettava vioittuneet osat asianmukaisesti.
- Varmista aina, että ruuvit ja mutterit ovat tiukasti kiinni, jotta tuote olisi aina turvallinen ja käyttövalmis.

### KÄYTTÖÖN LIITTYVÄT RISKIT

Vaikka tuotetta käytettäisiin ohjeiden mukaisesti, ei ole mahdollista täysin eliminoida tiettyjä käyttöön liittyviä riskitekijöitä. Käytössä voi aiheutua seuraavia vaaroja, ja käyttäjän tulee kiinnittää erityistä huomiota niiden välttämiseen:

- Tärinän aiheuttama vamma.
- Pitele tuotetta aina kahvoista ja rajoita työaikaa sekä altistumista.
- Melulle altistumisesta aiheutunut kuulovamma.
- Käytä suojalaseja ja rajoita altistumista.
- Sinkoutuneiden roskien aiheuttama vamma.
- Käytä aina suojalaseja.

Leikkuuterän koskettaminen. Varmista, että terän suojukset ovat paikoillaan, kun tuotetta ei käytetä. Pidä kädet ja jalat aina kaukana terästä.

Raivaussaha saattaa potkaista takaisin käytön aikana. Hallitse tuotetta aina siinä olevilla käsikahvoilla käyttämällä molempia käsiä. Ehkäise takapotkujen vaaraa perehtymällä tässä käyttöoppaassa annettuihin ohjeisiin.

Putoavien kappaleiden vaara: Kun leikkaat pensaita, käytä suojakypärää paikoissa, joissa on putoavien kappaleiden vaara.

### RISKIEN VÄHENTÄMINEN

Raporttien mukaan käsikäyttöisten tuotteiden tärinä voi joidenkin kohdalla myötävaikuttaa Raynaud's Syndromen (Raynauodin oireen) ilmenemiseen. Oireita ovat pistely, turtuus ja sormien kalpeneminen, yleensä kylmässä ilmassa. Perinnölliset tekijät, kylmyys ja kosteus, ruokavalio, tupakointi sekä työtavat voivat kaikki myötävaikuttaa näiden oireiden ilmenemiseen. Käyttäjä voi ehkäistä tärinän aiheuttamia vaikutuksia seuraavasti:

- Pidä itsesi lämpimänä kylmällä säällä. Käytä tuotteen käytön aikana käsineitä, jotta kätesi ja ranteesi pysyvät lämpöisinä. Raporttien mukaan kylmä ilma on tärkeä tekijä Raynaud's Syndromen (Raunauodin oireiden) ilmenemisessä.
- Harjoita kunkin käyttöjakson jälkeen liikuntaa, jotta verenkierto lisääntyy.
- Pidä työn aikana säännöllisesti taukoja. Rajoita päivittäisen tärinän määrää.

Jos mitään yllä mainittuja oireita ilmenee, lopeta heti laitteen käyttö ja kerro oireista lääkärille.

**VAROITUS**

Laitteen pitkittynyt käyttö voi aiheuttaa tai vaikeuttaa vammoja. Kun käytät mitä tahansa laitetta pitkiä aikoja, muista pitää säännöllisiä taukoja.

**TUNNE TUOTTEESI**

Katso sivu 154.

1. Ylävarsi
2. Kahva
3. Virtakytkin
4. Liipaisin
5. Varren liitin
6. Alavarsi
7. Ruohonohjain
8. Katkaisuterä
9. Leikkuusiima
10. Napautusnuppi
11. Kelan kansi
12. Kela
13. Aukko
14. Lukitusliipaisin
15. Nopeussäätöliipaisin
16. Etukädensija
17. Teräsuojain
18. Tri-Arc-terä
19. Teränsuoja
20. Akku
21. Akun salppainike
22. Latauskaapeli
23. Laturi

**TUOTTEESSA OLEVAT SYMBOLIT**

Varoitus



Lue ja ymmärrä kaikki ohjeet ennen tuotteen käyttöä ja noudata kaikkia varoituksia ja turvallisuusohjeita.



Käytä suojalaseja, kuulosuojaimia ja kypärää



Käytä tätä tuotetta käyttäessäsi luisumattomia turvajalkineita.



Käytä luisumattomia raskaan käytön käsineitä.



Älä altista konetta sateelle tai kosteudelle.



Tätä tuotetta ei ole tarkoitettu käytettäväksi hammastetun terän kanssa.



Leikkuulaitteen akselin kiertosuunta ja maksiminopeus.



Vedä: Pikavapautuskieleke



Varo sinkoutuneita ja muita lentäviä esineitä. Pidä tarkkailijat turvallisessa etäisyydessä tuotteesta.



Varo sinkoutuneita ja muita lentäviä esineitä. Pidä kaikki sivulliset vähintään 15 metrin päässä toiminta-alueelta – erityisesti lapset ja lemmikit.



Pidä kädet kaukana katkaisuterästä.



Varo terän iskua.



Tri-Arc-terä sopii tälle laitteelle ja soveltuu rehevien rikkaruohojen ja viiniköynnöksen leikkaamiseen.



Käytöstä poistettavia sähkölaitteita ei pidä hävittää talousjätteiden mukana. Ne on mahdollisuuksien mukaan pantava kiertoon. Kierrätysohjeita antavat kunnan viranomaiset ja vähittäiskauppiat.



Tämä työkalu on sen EU-maan kaikkien sääntömääräisten standardien mukainen, josta se on ostettu.



EurAsian-vaatimustenmukaisuusmerkki



Ukrainalainen säädöstenmukaisuusmerkintä



Taattu äänitehotaso ruohoraivaussahalle



Taattu äänentehotaso trimmerille

**TÄMÄN KÄSIKIRJAN SYMBOLIT**

Kytke pistorasiaan



Irrota pistorasiasta



Osat ja lisävarusteet on hankittava erikseen



Huom

Seuraavat signaalisanat ja merkitykset on tarkoitettu selittämään tähän tuotteeseen liittyviä riskin tasoja.

**⚠ VAARA**

Ilmaisee välitöntä vaaratilannetta, joka ellei sitä vältetä, johtaa kuolemaan tai vakavaan loukkaantumiseen.

**⚠ VAROITUS**

Ilmaisee potentiaalisen vaaratilanteen, joka ellei sitä vältetä, johtaa kuolemaan tai vakavaan loukkaantumiseen.

**⚠ HUOMAUTUS**

Ilmaisee potentiaalisen vaaratilanteen, joka ellei sitä vältetä, saattaa johtaa pienempään tai keskivaikkeaan loukkaantumiseen.

**HUOMAUTUS**

Ilman turvallisuusvaroitussymbolia

Ilmoittaa tilanteesta, jossa omaisuutta saattaa vaurioitua.

Sikkerhet, ytelse og driftssikkerhet er gitt topp prioritet i konstruksjonen av din batteridrevne kratt- og gressklipper.

### TILTENKT BRUK

Strengtrimmeren/buskkutteren skal bare brukes av voksne som har lest og forstått instruksjonene og advarslene i denne håndboken, og som kan holdes ansvarlig for sine handlinger. Produktet er kun tiltenkt til utendørs bruk på et godt ventilert sted. Av sikkerhetshensyn må produktet betjenes på forsvarlig vis med to hender.

Produkter som er utstyrt med et strengtrimmerhode (og tilhørende beskyttelse) er beregnet på å klippe gress, mykt ugress og lignende vegetasjon på bakkenivå eller litt over. Når enheten er utstyrt med Tri-Arc™-bladet (og en passende skjerm), kan den også kutte busker.

Kutteflaten bør være om trent parallell med bakkeoverflaten. Produktet må ikke brukes til klipping av hekker, busker eller annen vegetasjon der kniven ikke er parallell med bakken.

### ⚠ ADVARSEL

Når produktet brukes må sikkerhetsreglene følges. Les disse instruksjonene før du tar i bruk produktet for din egen sikkerhet og sikkerheten til personer som befinner seg i nærheten. Vennligst ta vare på instruksjonene for fremtidig bruk.

### ⚠ ADVARSEL

Dette produktet er ikke ment å bli brukt av barn eller personer med nedsatte fysiske, mentale eller sensoriske evner. Barn må passes på for å sikre at de ikke leker med utstyret.

### OPPLÆRING

- Ikke tillat at barn eller personer som ikke er kjent med brukermanualen bruker produktet.
- Les instruksjonsmanualen nøye. Gjør deg kjent med alle kontrollene og korrekt bruk av produktet.
- Fjern andre personer, barn og dyr fra området mens det klippes. Stopp produktet når noen kommer inn på området hvor produktet brukes.
- Ikke bruk produktet når du er sliten, syk eller under påvirkning av alkohol, narkotika eller medisiner som kan påvirke reaksjonsevne og dømmekraft.
- Bruk produktet kun til å klippe gress og lett ugress. Ikke bruk til noe annet formål.
- Husk at operatøren eller brukeren er ansvarlig for uhell og farer som andre personer og deres eiendom får påført.

### KLARGJØRING

- Ha på deg passende vernebriller og hørselsvern når du bruker produktet. Hvis du jobber i områder der det er fare for fallende objekter, må du bruke hjelm.

- Hørselsvern kan hindre operatøren i å høre varselslyder.
- Vær spesielt oppmerksom på mulige farer rundt deg og innenfor arbeidsområdet.
- Bruk tette langbukser, støvler og hansker. Ikke bruk løstsittende klær, kortbukser, smykker av alle slag og ikke gå barbert.
- Sørg for at langt hår ikke når lenger ned en til skuldrene for å hindre at det kan fanges opp av roterende deler.
- Før bruk og etter hvert slag, sjekk for skadede deler. En defekt bryter eller annen del som er skadet eller slitt skal repareres adekvat eller skiftes ut av et autorisert serviceverksted.
- Påse at kutteutstyret er satt på riktig og festet godt.
- Ikke bruk produktet dersom ikke alle vern, avvisere og håndtak er på plass og forsvarlig festet.
- Vurder omgivelsene du skal jobbe i. Hold arbeidsområde fri for ledninger, pinner, steiner og annet avfall som kan sprette unna dersom kutteren kommer borti det.

### GENERELLE SIKKERHETSADVARSLER

### ⚠ ADVARSEL

**Les alle sikkerhetsadvarslene og alle instruksjonene.** Å unnlate å følge advarslene og instruksjonene kan føre til elektrisk støt, brann og alvorlig personskade.

Ta vare på disse advarslene og instruksjonene for å se i dem senere. Begrepet "elektrisk verktøy" i advarslene gjelder ditt elektriske verktøy koblet til strømmettet (med ledning) eller batteridrevet (uten ledning) elektrisk verktøy.

### ARBEIDSGIVELSER

- **Hold arbeidsområdet rent, ryddig og godt opplyst.** Uryddige og dårlig opplyste områder fører lett til ulykker.
- **Ikke bruk elektrisk verktøy i eksplosive atmosfærer, som der det finnes brennbare væsker, gasser eller støv.** Elektrisk verktøy skaper gnister som kan antenne støv eller gasser.
- **Hold barn og andre på avstand når et elektrisk verktøy brukes.** Distraksjon kan føre til tap av kontroll.

### ELEKTRISK SIKKERHET

- **Støpslet på det elektriske verktøyet må stemme med stikkkontakten. Foreta aldri noen form for endringer av støpslet. Ikke bruk noen form for adapterstøpsel til jordet elektrisk verktøy.** Umodifiserte støpsler og passende stikkontakter vil redusere risikoen for elektrisk støt.
- **Unngå kroppskontakt med jordede overflater, som vannrør, radiatorer, kokeapparater og kjøleaggregater.** Det er økt risiko for elektrisk støt dersom kroppen din har kontakt med jord.
- **Ikke utsett produktet for regn eller høy fuktighet.** Vann som trenger inn i et elektrisk verktøy vil øke faren for elektrisk støt.



- **Ikke misbruk den elektriske ledningen. Bruk aldri ledningen til å bære det elektriske verktøyet eller trekke støpslet ut av stikkkontakten. Hold ledningen vekk fra varme, olje, skarpe kanter eller bevegelige deler.** Skadet eller sammenfloknet ledning øker risikoen for elektrisk støt.
- **Når du bruker det elektriske verktøyet utendørs, bruk en skjøteledning som er tilpasset utendørs bruk.** Bruk av ledning som er tilpasset utendørs bruk reduserer risikoen for elektrisk støt.
- **Dersom bruk av elektrisk verktøy i fuktige omgivelser ikke er til å unngå, bruk en strømkrets med sikring som er tilpasset verktøyet.** Bruk av strømkrets med sikring reduserer risikoen for elektrisk støt.

#### PERSONLIG SIKKERHET

- **Vær våken, se på hva du gjør og bruk fornuft når du arbeider med et elektrisk verktøy. Ikke bruk elektrisk verktøy når du er sliten eller under påvirkning av narkotiske stoffer, alkohol eller medisiner som kan påvirke din reaksjonsevne og/eller dømmekraft.** Et øyeblikks uoppmerksomhet når elektrisk verktøy brukes kan føre til alvorlige personskade.
- **Bruk personlig verneutstyr. Bruk alltid øyebeskyttelse.** Verneutstyr som støvmaske, sklisikre vernesko, hjelm eller hørselsvern brukt i passende sammenhenger vil redusere risikoen for personskade.
- **Unngå utilsikket start. Sørg for at bryteren er i posisjon OFF før utstyret kobles til strømmettet og / eller batteripakken, plukkes opp eller bæres.** Å bære det elektriske verktøyet med fingeren på startknappen eller koble strøm til et elektrisk verktøy med bryteren i ON inviterer til ulykker.
- **Fjern justeringsnøkler og annet verktøy før du setter strøm på det elektriske verktøyet.** En fastnøkkel eller annet verktøy festet til en roterende del av et elektrisk verktøy når det startes kan føre til personskade.
- **Ikke len deg for langt. Sørg for godt fotfeste og god balanse til enhver tid.** Dette gir bedre kontroll over det elektriske verktøyet i en uventet situasjon.
- **Kle deg riktig. Ikke bruk løstsittende plagg og/eller løsthengende smykker. Hold hår, klær og hansker vekk fra bevegelige deler.** Løse plagg, smykker og langt hår kan fanges opp av bevegelige deler.
- **Hvis det finnes tilkoblingsmuligheter for oppsagnings- og oppsamlingsutstyr for støv, sørg for at dette blir tilkoblet og brukt på riktig måte.** Bruk av støvoppsamler kan redusere støvrelatert faresituasjoner.

#### BRUK OG BEHANDLING AV ELEKTRISK VERKTØY

- **Ikke press maskinen. Bruk korrekt elektrisk verktøy for jobben som skal gjøres.** Riktig elektrisk verktøy vil gjøre jobben bedre og tryggere når det brukes slik det var tiltenkt.
- **Ikke bruk verktøyet hvis bryteren ikke slår verktøyet**

av og på. Ethvert elektrisk verktøy som ikke kan kontrolleres med bryteren er farlig og må repareres før det kan brukes.

- **Trekk støpslet ut av den elektriske kontakten og/ eller batteripakken fra det elektriske verktøyet før du foretar endringer, skifter tilbehør eller lagrer det elektriske verktøyet.** Slike forebyggende sikkerhetstiltak reduserer risikoen for utilsikket start av det elektriske verktøyet.
- **Oppbevar elektrisk verktøy som ikke brukes utenfor barns rekkevidde og la ikke personer som ikke er kjent med det elektriske verktøyet eller dets instruksjoner bruke det.** Elektrisk verktøy er farlig i hendene på uerfarne brukere.
- **Vedlikehold av elektrisk verktøy. Kontroller for feilinnretting og at bevegelige deler løper fritt, at det ikke finnes ødelagte deler og enhver annen tilstand som kan påvirke det elektriske verktøyet drift.** Hvis skadet må det elektriske verktøyet repareres før bruk. Mange ulykker skyldes dårlig vedlikeholdt elektrisk verktøy.
- **Hold skjæperedskap skarpe og rene.** Korrekt vedlikeholdt skjæreverktøy med skarpe skjærekanter har mindre mulighet for å blokkere seg og er lettere å kontrollere.
- **Bruk det elektriske verktøyet, tilbehøret, verktøybits etc i henhold til disse instruksjonene, der du tar hensyn til arbeidsforholdene og det arbeidet som skal utføres.** Bruk av elektrisk verktøy på en måte det ikke var tiltenkt kan skape farlige situasjoner.

#### BATTERIPRODUKTER - BRUK OG STELL

- **Lad bare med ladere som er spesifisert av produsenten.** En lader som passer til en type batteripakke kan skape risiko for brann dersom den brukes til en annen type batteripakke.
- **Bruk patteriprodukter kun med spesielt tiltenkte batteripakker.** Bruk av andre batteripakker kan føre til risiko for skade og brann.
- **Når batteripakken ikke er i bruk, hold den vekk fra metallgjenstander som binders, mynter, nøkler, spikere, skruer og annet som kan forbinde de to terminalene med hverandre.** Kortslutning av batteriterminalene kan føre til brenning eller brann.
- **Dersom batteriet misbrukes kan det slippe ut væske, unngå hudkontakt med væsken.** Hvis du får kontakt med væsken fra batteriet, skyll med rikelige mengder vann. Hvis væsken får kontakt med øynene må det søkes medisinsk hjelp.
- **Væske som kommer ut av batteriet kan føre til irritasjon eller brann.**

#### VEDLIKEHOLD

- **Sørg for at reparasjoner og vedlikehold av ditt elektriske verktøy utføres av kvalifiserte teknikere som kun bruker originale erstatningsdeler.** Dette vil sørge for at sikkerheten med det elektriske verktøyet ivaretas.



**⚠ ADVARSEL**

Bruk aldri trimmetilbehør eller annet tilbehør som ikke er spesifisert av Ryobi i denne håndboken. Dette omfatter også bruken av svingkjeder med metallbiter og vertikalskjærer. Disse vil ofte gå i stykker under bruk og kan derfor påføre brukeren eller tilskuere alvorlig skade.

**⚠ ADVARSEL**

Inspeksjon etter fall og andre former for støt: Foreta en grundig inspeksjon for å identifisere eventuelle skader eller påvirkning av funksjonaliteten. Enhver del som er skadet må repareres eller skiftes ut ved et autorisert serviceverksted.

**TRÅDTRIMMER SIKKERHETSADVARSLER**

- Noen regioner har bestemmelser som begrenser bruk av dette produktet. Spør de lokale myndigheter for råd.
- Ikke tillat at barn eller personer som ikke er kjent med brukermanualen bruker produktet.
- Bruk produktet i dagslys eller under godt kunstig lys.
- Unngå å bruke på vått gress.
- Ikke gå baklengs når du bruker produktet.
- Ha god fotfeste og ballanse til enhver tid. Ikke len deg for langt. Hvis du lener deg for langt, kan du miste balansen. Sørg for å ha godt fotfeste i skråninger. Gå, du må aldri løpe mens du arbeider med maskinen.
- Bruk ikke produktet når det er fare for lynnedslag.
- Ikke utsett produktet for regn eller høy fuktighet. Vann som trenger inn i apparatet vil øke risikoen for elektrisk støt.
- Hold tilskuere, barn og kjæledyr 15 m unna arbeidsområde. Stopp produktet når noen kommer inn på området hvor produktet brukes.
- Kutteenheten må ikke løftes høyere enn til hofte høyde.
- Bruk aldri produktet med ødelagt skjerming eller uten at skjermingen er montert.
- Du må ikke bruke metalltråd ved skifting av kuttetråd.
- Hold hender og føtter til enhver tid unna kutteenheten, spesielt når du skruer motoren på.
- Vær oppmerksom på at kutteenheten fortsetter å rotere etter at motoren har blitt skrudd av.
- Vær oppmerksom på at kutteenheten kan slenge opp gjenstander. Fjern avfall som småstein, grus og andre fremmedlegemer fra arbeidsområde før du begynner med jobben. Ledninger eller snorer kan surre seg inn i kutteenheten.
- Slå av og trekk ut støpslet fra den elektriske kontakten før:
  - det utføres servicearbeid
  - etterlater produktet uten tilsyn
  - rens produktet eller rens en blokkering

- skifte av tilbehør
- se etter skader dersom verktøyet har truffet en gjenstand
- se etter skader dersom produktet begynner å vibrere kraftig
- gjennomfører vedlikehold
- fjerne bladet
- montere bladet
- Det lille kuttebladet som sitter på gressbeskyttelsen er ment å kappe ny tråd til riktig lengde for å kunne bruke trimmeren trygt og optimalt. Det er meget skarpt, så ikke ta på det, pass spesielt på når du renser verktøyet.
- Sørg alltid for at avfall ikke tetter ventilasjonsspaltene.
- Påse at kutteutstyret er satt på riktig og festet godt.
- Påse at alle deksler, stropper, avvisere og håndtak er korrekt og trygt montert.
- Ikke endre produktet på noen måte. Batteriet blir bare varmt når verktøyet brukes lenge.
- Bruk kun produsentens påfyllingstråd. Ikke bruk andre kuttetillegg.

**SIKKERHETSREGLER FOR BUSKKUTTER**

- I tillegg til ovenstående regler er disse tilleggsinstruksjonene viktige når du bruker produktet i buskkuttermodus.
- Bruk solide vernehansker når du monterer eller demonterer blader. Skarpe kanter!
- Ikke gjør forsøk på å berøre eller stanse kniven når den roterer.
- Et bevegelig blad kan forårsake alvorlig personskade. Oppretthold god kontroll over produktet med begge hender inntil bladet har sluttet helt å rotere.
- Fjern enhver kniv som er påført skade. Påse at bladet alltid er korrekt installert og forsvarlig festet før hver gangs bruk.
- Bruk kun produsentens Tri-Arc reserveblader. Ikke bruk andre kuttetillegg.
- Du å aldri kutte materiale som er tykkere enn 1.25 cm (0.5 in.) i diameter.
- Buskkutteren er utstyrt med bæresele. Juster selen nøye slik at den er en god støtte for maskinens vekt når den henger på din høyre side.
- Finn ut hvordan du skal bruke hurtigtøsermekanismen og øv deg på å bruke den før du tar i bruk maskinen. Riktig bruk kan hindre alvorlige personskader dersom en nødsituasjon skulle oppstå. Du må aldri bruke ekstra klær over selen eller på annen måte hindre hurtigtøsermekanismen.
- Dekk bladet med bladsiren før du lagrer enheten eller ved transport. Fjern alltid bladbeskytteren før du bruker enheten. Dersom den ikke fjernes kan bladbeskytteren bli kastet ut når bladet begynner å rotere.
- Utvis ekstrem forsiktighet når du bruker bladet med dette produktet. Bladkast er reaksjonen som kan oppstå

dersom det roterende bladet treffer noe det ikke kan skjære gjennom. Denne kontakten kan føre til at bladet vil stoppe for et kort øyeblikk og brått "kaste" enheten vekk fra gjenstanden det traff. Denne reaksjonen kan være kraftig nok til at brukeren mister kontrollen over redskapen. Slike reaksjoner kan oppstå uten forvarsel dersom bladet bråstopper eller blokkeres. Dette kan lettere skje i områder der det er vanskelig å se det som skal kappes over.

- For å gjøre arbeidet enklere og tryggere bør kratt kappes fra høyre mot venstre. Dersom du skulle treffe på en skjult gjenstand eller en tykkere trestamme vil dette kunne minimalisere bladets kastbevegelse. Begge hender må hele tiden benyttes for å kontrollere dette produktet.

### TRANSPORT OG LAGRING

- Slå av produktet og la det kjøles ned før lagring eller transport.
- Fjern alle fremmedelementer fra produktet. Hvis en kappeskive er montert, dekker du den til med bladbeskytteren.
- Ved lagring må støpslet alltid trekkes ut av kontakten og ledningen kveiles opp. Lagres på et kjølig, tørt og godt ventilert sted som er utilgjengelig for barn. Hold den borte fra korrosive materialer, så som ugressmidler og veisalt. Ikke oppbevar utendørs.
- Ved transport må produktet sikres mot å komme i bevegelse eller falle for å unngå skade på personer eller produktet.

### VEDLIKEHOLD

#### ⚠ ADVARSEL

Bruk kun produsentens originale reservedeler, tilleggsutstyr og påsatser. Dersom dette ikke følges, kan det forårsake personskader, dårlig funksjon og kan annullere garantien din.

#### ⚠ ADVARSEL

Service krever meget stor forsiktighet og kunnskap og bør utføres kun av kvalifisert teknisk personale. Vi anbefaler at man sender verktøyet tilbake til nærmeste autoriserte servicesenter for reparasjon. Når service utføres skal kun identiske reservedeler brukes.

- Slå av og fjern batteriet før du rengjør eller utfører vedlikehold på produktet.
- Du kan foreta justeringer og reparasjoner som er beskrevet i denne brukermanualen. For andre reparasjoner, ta kontakt med et autorisert serviceverksted.
- For å skifte tråd, bruk kun nylonfibråd med diameteren spesifisert i tabellen i denne håndboken.

- Etter at du har forlenget kuttestråden, må du alltid først snu produktet til vanlig arbeidsstilling før du starter det.
- Etter hver bruk, rens produktet med en myk tørr klut. Enhver del som er skadet må repareres eller skiftes ut ved et autorisert serviceverksted.
- Kontroller all mutter, bolter og skruer med jevne mellomrom at de er skrudd fast for å sikre at produktet er i driftssikker stand.

### GJENVÆRENDE RISIKO

Selv om utstyret brukes som beskrevet er det ikke mulig å unngå enhver gjenværende risiko. Følgende faresituasjoner kan oppstå ved bruk, og operatøren må legge spesielt vekt på å unngå følgende:

- Personskade på grunn av vibrasjon. Hold produktet i angitte håndtak og begrenns arbeidstid og eksponering.
- Eksponering for støy kan gi hørselsskader. Bruk hørselvern og begrenns eksponeringen.
- Skade som følge av hageavfall som kastes gjennom luften. Bruk til enhver tid øyebeskyttelse.

Kontakt ved kappeutstyr. Påse at bladdeklene er montert når produktet ikke er i bruk. Hold på ethvert tidspunkt hender og føtter vekke fra bladene.

Tilbakeslag kan oppstå når du bruker buskkutteren. Sørg for god kontroll ved å bruke begge hender på de respektive håndtakene. Les og følg retningslinjene i håndboken for å redusere risikoen for tilbakeslag.

Se opp for fallende gjenstander: Under krattkapping må det benyttes hodebeskyttelse dersom det er fare for fallende gjenstander.

### FAREREDUKSJON

Det foreligger rapporter om at vibrasjoner fra håndholdt verktøy for enkelte personer kan bidra til en tilstand som kalles Raynauds Syndrome. Symptomene kan omfatte følelsesløshet og gjøre fingrene bleke, vanligvis synlig ved eksponering til lave temperaturer. Arvelige faktorer, eksponering mot lave temperaturer og fuktighet, diett, røyking og arbeidspraksis blir alle ansett for å kunne bidra til å utvikle disse symptomene. Brukeren kan iverksette tiltak for mulig å redusere virkningene av vibrasjonene:

- Hold kroppen din varm i kaldt vær. Bruk hansker og hold hender og håndledd varme ved bruk av produktet. Det er rapportert at kaldt vær er en viktig faktor som bidrar til Raynauds Syndrome.
- Etter hver arbeidsperiode bør det utføres øvelser for å øke blodsirkulasjonen.
- Ta ofte pauser fra arbeidet som utføres. Begrenns mengden av eksponering pr. dag.

Hvis du opplever noen av symptomene på denne tilstanden må du øyeblikkelig avbryte arbeidet og oppsøke en lege med disse symptomene.



**⚠ ADVARSEL**

Hvis man bruker verktøyet for lenge av gangen, kan det føre til eller forverre allerede eksisterende personskade. Når du bruker et verktøy over en lenger tidsperiode, husk å ta regelmessige pauser.

**KJENN PRODUKTET DITT**

Se side 154.

1. Øvre skaft
2. Sykkelhåndtak
3. Av/PA-bryter
4. Avtrekker
5. Akselkobling
6. Nedre stang
7. Gressutkaster
8. Kappeblad
9. Klippesnor
10. Hode
11. Spoledeksel
12. Spole
13. Øye
14. Låsetrigger
15. Utløser for variabel hastighet
16. Fremre håndtak
17. Bladhylse
18. Tri-Arc-kniv
19. Knivbeskytter
20. Batteri
21. Utløserknapp for batteri
22. Laderkabel
23. Lader

**SYMBOLER PÅ PRODUKTET**



Sikkerhetsalarm



Les og forstå alle instruksjoner før du tar i bruk produktet, følg alle advarsler og sikkerhetsanvisninger.



Bruk beskyttelse for øyne, hørsel og ansiktet.



Anvend glisikkert fottøy ved bruk av dette produktet.



Bruk kraftige, sklisliske hansker.



Ikke utsette for regn eller fuktige forhold.



Dette produktet er ikke ment brukt med et tannet knivblad av sagtype.



Rotasjonsretning og maksimum hastighet for akselen til kappetilbehør.



Trekk: Hurtigtuløserfil



Vær oppmerksom på utkastede eller flygende gjenstander. Holdtilskuere på trygg avstand fra produktet.



Vær oppmerksom på utkastede eller flygende gjenstander. Holdtilskuere, spesielt barn og dyr, på god avstand, det vil si minst 15 meter fra arbeidsområdet



Hold hendene vekke fra klippekneivene.



Følg nøye med på bladets bevegelse.



Tri-Arc-bladet passer til dette produktet, og egner seg til fjerning av kjøttfullt ugress og slyngplanter



Avfall fra elektriske produkter skal ikke kastes sammen med husholdningsavfall. Vennligst resirkulervedeksisterende avfallsbehandlingssted. Undersøk hos dine lokale myndigheter eller forhandler for råd om resirkulering.



Dette verktøyet overholder samtlige standarder i det EU-landet det er kjøpt i.



EurAsian Konformitetstegn



Ukrainsk merke for konformitet



Garantert lydeffektnivå for krattrydder



Garantert lydeffektnivå for kantklipper

**SYMBOLER I DENNE MANUALEN**



Tilkoble til strømkontakten



Ta ut av strømkontakten



Deler eller tilbehør solgt separat



Nb

Følgende symboler og betydninger forklarer risikonivået som er assosiert med dette produktet.

**⚠ FARE**

Indikerer en øyeblikkelig farlig situasjon, som, hvis ikke unngås, kan resultere i død eller alvorlig personskaade.

**⚠ ADVARSEL**

Indikerer en potensiell farlig situasjon, som, hvis ikke unngås, kan resultere i død eller alvorlig personskaade.

**⚠ FORSIKTIGHETSREGEL**

Indikerer en potensiell farlig situasjon, som, hvis ikke unngås, kan resultere i mindre eller moderat personskaade.

**FORSIKTIGHETSREGEL**

Uten sikkerhetsvarselsymbol

Indikerer en situasjon som kan føre til skade på eiendom.

При разработке этого беспроводного кустореза и триммера особое внимание уделялось безопасности, производительности и надежности.

## НАЗНАЧЕНИЕ

К эксплуатации бензинового триммера допускаются только совершеннолетние лица, ознакомленные с инструкциями и предупреждениями, предоставленными в настоящем руководстве, и способные нести ответственность за свои действия. Продукт предназначен только для использования на открытом воздухе в хорошо проветриваемом месте. Из соображений безопасности всегда необходимо эксплуатировать инструмент, управляя им двумя руками.

Модель, оснащенная катушкой триммера с леской (и соответствующим защитным кожухом) предназначена для стрижки длинной травы, резки мягких деревьев и подобной растительности на или у поверхности земли. При установке ножа Ti-Arc™ (и соответствующего защитного кожуха), инструмент можно использовать для стрижки кустов.

Плоскость скашивания должна быть приблизительно параллельной поверхности земли. Данное устройство не должно использоваться для обрезки или подравнивания живой изгороди, кустов или другой растительности, при работе с которой плоскость резания не параллельна поверхности земли.

## ⚠ ОСТОРОЖНО

При использовании устройства необходимо соблюдать правила техники безопасности. В целях собственной безопасности и безопасности наблюдающих лиц перед использованием устройства прочитайте приведенные в данном руководстве инструкции. Сохраните данные инструкции для последующего использования.

## ⚠ ОСТОРОЖНО

Данное устройство не предназначено для использования детьми или лицами с ограниченными физическими, психическими или сенсорными возможностями. Дети должны контролироваться, чтобы гарантировать, что они не играют с прибором.

## ОБУЧЕНИЕ

- Не допускайте к работе с данным устройством детей и лиц, незнакомых с инструкциями по использованию изделия.
- Внимательно прочтите данные инструкции. Ознакомьтесь с элементами управления и правилами эксплуатации изделия.
- Во время работы с триммером не допускайте в зону работы посторонних лиц, детей и домашних

животных. Остановите устройство, если кто-то войдет в рабочую зону.

- Запрещается работать с изделием в случае усталости, болезни или под воздействием алкоголя, наркотиков или медикаментов.
- Используйте изделие только для подрезания травы и небольших растений. Не используйте устройство для каких-либо иных целей.
- Иметь в виду, что оператор или пользователь ответственны за несчастные случаи или опасности, встречающиеся другим людям или их собственности.

## ПОДГОТОВКА

- Используйте надежные приспособления для защиты глаз и органов слуха при работе с продуктом. При работе в зоне, где есть риск падения предметов, необходимо носить защитную каску.
- Средства защиты органов слуха ограничивают возможность оператора слышать предупредительные звуковые сигналы.
- Обращайте особое внимание на потенциальные опасности вокруг и внутри рабочей зоны.
- Работайте в толстых длинных брюках, сапогах и перчатках. Не допускается ношение слишком свободной одежды, коротких брюк, ювелирных изделий. Запрещается работать босиком.
- Соберите длинные волосы выше плеч, чтобы предотвратить их попадание в движущиеся части.
- Перед использованием устройства или после него убедитесь, что в нем нет поврежденных деталей. Для ремонта или замены неисправного переключателя или любой иной детали следует обращаться в авторизованный сервисный центр.
- Убедитесь, что режущая насадка правильно установлена и надежно закреплена.
- Никогда не эксплуатируйте изделие, если все защитные приспособления, отражатели и ручки не будут правильно и надежно закреплены.
- Рассмотрите окружающую среду, в которой Вы работаете. Держите рабочее место свободным от проводов, палок, камней и мусора, которые при столкновении с режущим устройством могут вылететь с большой скоростью.

## ОБЩИЕ ПРАВИЛА БЕЗОПАСНОСТИ

### ⚠ ОСТОРОЖНО

**Прочтите все предупреждения и инструкции по технике безопасности.** Несоблюдение приводимых ниже предупреждений и инструкций может привести к поражению электрическим током, возгоранию или тяжким телесным повреждениям.

Сохраните все предупреждения и инструкции по технике безопасности для последующего использования. Термин "электроинструмент" в данном описании относится к инструментам с питанием от сети (проводные) и от аккумуляторных батарей (беспроводные).

### БЕЗОПАСНОСТЬ НА РАБОЧЕМ МЕСТЕ

- Рабочая зона должна быть свободна и хорошо освещена. Загромождение или плохое освещение рабочей зоны может привести к несчастным случаям.
- Не используйте электроинструмент во взрывоопасной среде, например в присутствии легковоспламеняющихся жидкостей, газов или пыли. В электроинструментах происходит искрообразование, что может привести к воспламенению пыли или газа.
- Не допускайте присутствия детей и посторонних лиц при работе с инструментом. Невнимательность может привести к утрате контроля.

### ЭЛЕКТРОБЕЗОПАСНОСТЬ

- Вилка кабеля питания инструмента должна соответствовать используемой розетке. Не подвергайте вилку кабеля каким-либо изменениям. Не используйте какие-либо переходники с электроинструментами с заземляющим проводом. Использование оригинальных штепсельных вилок и соответствующих розеток предотвращает опасность поражения электрическим током.
- Не допускайте контакта частей тела с поверхностями заземленных предметов, таких как трубы, радиаторы отопления, кухонные плиты, холодильники. При соприкосновении частей тела человека с заземленными участками возрастает опасность поражения электрическим током.
- Не допускайте попадания влаги на изделие и не используйте его во влажной атмосфере. Попавшая внутрь инструмента вода повышает опасность поражения электрическим током.
- Обращайтесь с кабелем питания надлежащим образом. Не используйте кабель для переноски, перемещения или отключения инструмента от сети питания. Оберегайте кабель от источников тепла, масляных и острых предметов и движущихся деталей. Поврежденные или запутанные провода повышают опасность поражения электрическим током.
- При работе с электроинструментом вне помещений пользуйтесь удлинительным кабелем, предназначенным для наружного применения. Использование кабеля, предназначенного для наружного применения,

снижает опасность поражения электрическим током.

- Если нет возможности избежать работы в условиях повышенной влажности, подключайте инструмент через устройство защитного отключения. При использовании устройства защитного отключения снижается опасность поражения электрическим током.

### ЛИЧНАЯ БЕЗОПАСНОСТЬ

- Соблюдайте осторожность, следите за своими действиями и пользуйтесь здравым смыслом при работе с электроинструментом. Не пользуйтесь инструментом в состоянии усталости или под воздействием наркотических средств, алкоголя или медицинских препаратов. Малейшая невнимательность при работе с инструментом может привести к тяжкому телесному повреждению.
- Используйте средства индивидуальной защиты. Всегда надевайте средства защиты зрения. Средства защиты, такие как пылезаститная маска, нескользящая защитная обувь, шлем-каска, средства защита органов слуха, используемые надлежащим образом, снижают опасность телесного повреждения.
- Не допускайте случайного запуска. Перед подключением к источнику питания или установкой аккумуляторной батареи, подъемом или перемещением инструмента убедитесь, что переключатель находится в положении «выключено». Во избежание несчастных случаев при перемещении инструмента не держите пальцы на переключателе инструмента и не подключайте его к источнику питания при включенном положении переключателя.
- Перед включением инструмента уберите все регулировочные и гаечные ключи. Гаечные или регулировочные ключи, оставленные на вращающихся частях инструмента, могут привести к телесному повреждению.
- Не перенапрягать. Старайтесь сохранять устойчивость и подыскивайте твердую опору. Это обеспечивает лучшую управляемость электроинструментом в непредвиденных ситуациях.
- Одевайтесь соответствующим образом. Не надевайте свободную одежду и украшения. Не допускайте попадания волос, одежды и перчаток в движущиеся части. Свободная одежда, украшения и длинные волосы могут попасть в движущиеся части.
- Если в инструменте предусмотрено использование устройства удаления и сбора пыли, обеспечьте их надежное крепление и надлежащее использование. Использование пылесборника снижает опасность, связанную с пылеобразованием.

**ИСПОЛЬЗОВАНИЕ И ОБРАЩЕНИЕ С ИНСТРУМЕНТОМ**

- Не прикладывайте чрезмерных усилий при работе с данным инструментом. В каждом случае используйте надлежащий электроинструмент. Правильно выбранный электроинструмент позволяет выполнить работу, для которой он предназначен, более качественно и более безопасно.
- Не пользуйтесь инструментом, если выключатель не включается или не выключается. Любой электроинструмент, не управляемый выключателем, представляет опасность и должен быть отремонтирован.
- Перед выполнением каких-либо регулировок, заменой приспособлений или хранением инструмента отключите вилку кабеля источника питания и/или аккумуляторной батареи от электроинструмента. Такие меры предосторожности помогут предотвратить опасность случайного пуска инструмента.
- Храните неиспользуемые электроинструменты в месте, недоступном для детей, а также не допускайте к использованию данного инструмента лиц, не знакомых с его работой или не ознакомленных с данными данными инструкциями. Инструмент в руках неподготовленного лица представляет опасность.
- Бережно обращайтесь с инструментом. Проверяйте инструмент на отсутствие перекосов или заклинивания движущихся частей, их неисправности или других причин, которые могут отразиться на работе инструмента. При повреждении инструмента перед его дальнейшим использованием его следует отремонтировать. Многие несчастные случаи вызваны ненадлежащим обращением с инструментом.
- Содержите режущее устройство в чистоте и заточенном виде. При надлежащем техническом обслуживании режущего инструмента снижается вероятность застревания режущих частей и облегчается управляемость.
- Используйте инструмент, принадлежности, насадки и т.п. в соответствии с данными указаниями, и принимая во внимание условия работы и выполняемую работу. Использование данного электроинструмента не по назначению может создать опасную ситуацию.

**ЭКСПЛУАТАЦИЯ УСТРОЙСТВА С АККУМУЛЯТОРНЫМ ПИТАНИЕМ И УХОД ЗА НИМ**

- Зарядку выполняйте только с использованием зарядного устройства, указанного изготовителем. Зарядное устройство, подходящее к одному типу аккумуляторных батарей, может создать опасность возгорания при использовании с

аккумуляторными батареями другого типа.

- Используйте электрические устройства только со специально предназначенными для них аккумуляторными батареями. Использование аккумуляторных батарей другого типа может привести к телесным повреждениям или возгоранию.
- Если аккумуляторная батарея не используется, храните ее отдельно от других металлических предметов, например канцелярских скрепок, монет, ключей, гвоздей, винтов и других мелких металлических предметов, которые могут привести к замыканию контактов батареи. Замыкание контактов батареи может вызвать ожоги или привести к возгоранию.
- При ненормальных условиях из батареи может вытечь жидкость, избегайте контакта с ней. Если этого избежать не удалось, смойте жидкость водой. Если жидкость попала в глаза, после их промывания обратитесь за медицинской помощью.
- Жидкость, вытекающая из батареи, может вызвать раздражение или ожог.

**ОБСЛУЖИВАНИЕ**

- Техническое обслуживание и ремонт инструмента должно выполняться только квалифицированным специалистом с использованием взаимозаменяемых запасных частей. Это обеспечит нормальное техническое состояние устройства.

**⚠ ОСТОРОЖНО**

Никогда не пользуйтесь элементами для стрижки, которые не предусмотрены компанией Ryobi в данном руководстве. Включая составные вращающиеся цепи и цепи (шарнирные ножи). Данные элементы для стрижки легко ломаются, представляя серьезную опасность для оператора и окружающих.

**⚠ ОСТОРОЖНО**

Осмотр после падения или других ударов. Внимательно осмотрите устройство на отсутствие повреждений и поломок. В случае повреждения какой-либо детали необходимо обратиться в авторизованный сервисный центр для выполнения надлежащего ремонта или замены.

**ПРЕДОСТЕРЕЖЕНИЯ ОТНОСИТЕЛЬНО БЕЗОПАСНОГО ИСПОЛЬЗОВАНИЯ СТРУННОГО ТРИММЕРА**

- В некоторых регионах существуют правила, ограничивающие использование этого продукта. Проконсультируйтесь с местными органами власти.
- Не допускайте к работе с данным устройством детей и лиц, незнакомых с инструкциями по

использованию изделия.

- Используйте изделие при дневном свете или хорошем искусственном освещении.
- Не используйте устройство для стрижки влажной травы.
- Запрещается пятиться при эксплуатации продукта.
- Держать устойчивую опору и баланс. Не перенапрягать. Перенапряжение может кончатся потерей баланса. Обеспечьте устойчивость ног при работе на склонах. Передвигайтесь шагом, не бегайте.
- Не используйте прибор, если есть опасность поражения молнией.
- Не допускайте попадания влаги на изделие и не используйте его во влажной атмосфере. Попадание влаги в устройство может привести к выходу его из строя или поражению электрическим током.
- Не допускайте прохожих, детей и домашних животных ближе чем на 15 м от рабочей зоны. Остановите устройство, если кто-то войдет в рабочую зону.
- Не поднимайте режущую насадку выше пояса.
- Запрещается использовать изделие, если защитные устройства повреждены или вообще не установлены.
- Никогда не закрепляйте металлическую линию замены.
- Держите руки и ноги далеко от режущих средств во всех случаях и особенно при включении двигателя.
- Осторожно! Режущие элементы продолжают вращаться после отключения двигателя.
- Остерегайтесь объектов, выбрасываемых режущими приспособлениями. Удалите мусор, такой как мелкие камни, гравий и другие посторонние предметы, из рабочей зоны до начала работы. Провода или шнуры могут запутаться в режущих деталях.
- Перед выполнением следующих операций отключите устройство и отсоедините его от сети питания:
  - обслуживание
  - Оставление изделия без присмотра
  - очистка продукта или устранение забивания
  - Замена принадлежностей
  - Проверка на наличие повреждений после столкновения с предметами
  - Проверка на наличие повреждений, если изделие начнет необычно вибрировать
  - Выполнение технического обслуживания
  - снимая лезвие
  - Установка полотна
- Небольшое лезвие, установленное под защитным приспособлением, предназначено для подрезания новой удлиненной струной до нужной длины в

целях обеспечения безопасной и оптимальной производительности. Оно очень острое, не прикасайтесь к нему, особенно при очистке инструмента.

- Всегда проверяйте устройство на отсутствие грязи в вентиляционных отверстиях.
- Убедитесь, что режущая насадка правильно установлена и надежно закреплена.
- Проверьте правильность установки и надежность крепления всех защитных устройств, отражателей и ручек.
- Изменение конструкции изделия не допускается. аккумулятор нагревается только от длительной и непрерывной работы инструмента.
- Для замены режущей струны используйте только оригинальные струны от производителя. Использование других режущих насадок не допускается.

#### ПРАВИЛА БЕЗОПАСНОСТИ ПРИ РАБОТЕ С КУСТОРЕЗОМ

- Данные правила, в дополнение к приведенным выше правилам, относятся к использованию инструмента в режиме кустореза.
- При установке и снятии лезвий работайте в перчатках для неблагоприятных условий, так как лезвия очень острые.
- Не прикасайтесь к вращающемуся режущему полотну и не пытайтесь его остановить.
- Движущееся лезвие может стать причиной тяжелой травмы. Управление инструментом необходимо осуществлять обеими руками до полной остановки лезвий.
- Заменяйте поврежденное режущее полотно. Всегда проверяйте правильность установки и надежность крепления режущего полотна перед каждым использованием.
- Используйте только запасное лезвие Tri-Arc™ от производителя. Использование других режущих насадок не допускается.
- Не срезайте материалы, длина которых превышает 1.25 см (0.5 in.) в диаметре.
- Ваш кусторез оснащен плечевым ремнем. Аккуратно отрегулируйте ремень, чтобы было удобно держать устройство, и наденьте его с правой стороны.
- Найдите механизм быстрого освобождения и опробуйте его перед началом использования устройства. Его правильное использование может предотвратить серьезные травмы в случае возникновения чрезвычайной ситуации. Никогда не носите одежду поверх ремня и никаким иным образом не ограничивайте доступ к механизму быстрого освобождения.
- Надевайте защитное устройство на режущее полотно перед помещением устройства на хранение

или при транспортировке. Перед использованием инструмента всегда снимайте защитное устройство. Если его не снять, защитное устройство может быть отброшено, когда лезвие начнет вращаться.

- Соблюдайте предельную осторожность при использовании режущего лезвия с данным устройством. Отскок режущего лезвия может произойти при его соприкосновении с каким-либо не поддающимся обрезанию предметом. Такое соприкосновение может привести к внезапной остановке вращения лезвия и отбрасыванию инструмента от этого препятствия. Отдача может оказаться достаточно сильной и привести к потере контроля над устройством. Отскок режущего лезвия может произойти неожиданно, если лезвие наталкивается на препятствие, останавливается или заедает. Подобная ситуация может возникнуть при работе там, где трудно рассмотреть подрезаемый материал.
- Для облегчения подрезания и обеспечения безопасности подрезайте растения справа налево. В случае неожиданного соприкосновения с каким-либо предметом или со стволом дерева это может свести к минимуму отдачу. Управление инструментом всегда осуществляйте двумя руками.

## ТРАНСПОРТИРОВКА И ХРАНЕНИЕ

- Остановите изделие, дайте ему остыть перед постановкой на хранение или транспортировкой.
- Очистите устройство от всех посторонних материалов. Если установлено режущее полотно, его необходимо закрыть предохранителем лезвия.
- При хранении устройства всегда отключайте его от сети питания и сматывайте его кабель. Храните его в прохладном, сухом, хорошо проветриваемом и недоступном для детей месте. Не держите бензопилу рядом с коррозионными веществами, такими как садовые химикаты или размораживающая соль. Не храните на открытом воздухе.
- Для транспортировки закрепите изделие так, чтобы оно не могло перемещаться или упасть во избежание травмирования персонала или повреждения изделия.

## ТЕХНИЧЕСКОЕ ОБСЛУЖИВАНИЕ

### ▲ ОСТОРОЖНО

Используйте только оригинальные запчасти, аксессуары и насадки от производителя. Невыполнение этого требования может привести к травме, к снижению производительности и к аннулированию гарантии.

### ▲ ОСТОРОЖНО

Обслуживание требует чрезвычайной заботы и знания и должно быть выполнено только квалифицированным техником обслуживания. Для обслуживания мы предлагаем, чтобы вы возвратили изделие вашему самому близкому уполномоченному центру обслуживания для ремонта. При обслуживании использовать только идентичные сменные части.

- Перед проведением технического обслуживания или очистки выключите устройство и извлеките аккумуляторный блок.
- Вы можете также выполнить другие виды регулировки и ремонтные работы, описанные в данном руководстве. По вопросу ремонта обращайтесь в авторизованный сервисный центр.
- Для замены струны используйте только нейлоновую струну, диаметр которой выбирается в соответствии с таблицей технических характеристик настоящего руководства.
- После удлинения режущей струны всегда возвращайте устройство в обычное рабочее положение перед запуском.
- После каждого использования протирайте изделие мягкой сухой тканью. В случае повреждения какой-либо детали необходимо обратиться в авторизованный сервисный центр для выполнения надлежащего ремонта или замены.
- Проверить все болты, задвижки, и винты, через короткие интервалы, на надлежащую плотность, чтобы убедиться, что изделие находится в безопасном, рабочем состоянии.

### БУДЬТЕ ВСЕГДА ОСТОРОЖНЫ

Даже когда изделие используют согласно инструкциям, невозможно полностью устранить факторы риска. При эксплуатации могут возникнуть следующие ситуации, которым пользователь должен уделять особое внимание, чтобы избежать проблем:

- Травмы, вызываемые вибрацией.  
Держите изделие только за предназначенные для этого ручки и соблюдайте рабочий режим.
- Повреждение слуха, вызываемое воздействием шума.  
Носите устройства защиты слуха и ограничивайте продолжительность шумового воздействия.
- Травмы, вызываемые отлетающим мусором  
Обязательно носите устройства для защиты глаз.

Контакт с режущими приспособлениями. Убедитесь, что режущие приспособления закрыты крышками, когда изделие не используется. Не допускайте попадания рук и ног в зону работы режущих приспособлений.



При работе с кусторезом высок риск отскока. Контролируйте инструмент двумя руками, держась за соответствующие ручки. Прочитайте и следуйте инструкциям данного руководства, чтобы снизить риск отскока.

Опасность падающих предметов: Во время обрезки кустов носите защитную каску, если есть риск падения предметов.

**СНИЖЕНИЕ РИСКА**

Сообщалось, что вибрация ручных электроинструментов у отдельных лиц может способствовать состоянию, которое называется синдром Рейно. К симптомам могут относиться покалывание, онемение и побеление пальцев (как при переохлаждении). Считают, что наследственные факторы, охлаждение и влажность, диета, курение и практический опыт способствуют развитию этих симптомов. Ниже приводятся меры, которые может принять оператор для снижения воздействия вибрации:

- Одевайтесь теплее в холодную погоду. При эксплуатации изделия носите перчатки, чтобы сохранить руки и запястья в тепле. Считается, что холодная погода является основным фактором, способствующим возникновению болезни Рейно (Raynaud's Syndrome).
- После каждого этапа работы выполните упражнения для усиления кровообращения.
- Чаще делайте перерывы в работе. Сократите длительность ежедневного пребывания на открытом воздухе.

При появлении каких-либо из указанных симптомов сразу же прекратите работу и обратитесь по их поводу к врачу.

**⚠ ОСТОРОЖНО**

Слишком продолжительное использование инструмента может привести к травме. При использовании инструмента в течение длительного времени делайте регулярные перерывы.

**ИЗУЧИТЕ УСТРОЙСТВО**

См. стр. 154.

1. Верхний шток
2. Ручка велосипедного типа
3. Выключатель ВКЛ/ВЫКЛ
4. Курковый выключатель
5. Муфта вала
6. Нижний вал
7. Отражатель травы
8. Лезвие для отрезания струны
9. Режущая струна
10. Ударная головка
11. Крышка шпульки
12. Шпулька
13. Отверстие

12. Курок блокировки
13. Курок для регулировки скорости
14. Передняя ручка
15. Предохранительный колпак для режущего устройства
18. Режущее полотно Tri-Arc
19. Защитное устройство режущего полотна
20. Аккумулятор
21. Кнопка фиксатора батареи
22. Кабель зарядного устройства
23. Зарядное устройство

**УСЛОВНЫЕ ОБОЗНАЧЕНИЯ НА ПРОДУКТЕ**



Внимание

Внимательно прочитайте все инструкции перед началом работы с продуктом, соблюдайте все предупреждения и инструкции по безопасности.



Носите устройства защиты зрения и слуха, а также защитную каску.



При работе с данным изделием надевайте нескользящую защитную обувь.



Надевайте нескользящие перчатки для работы в тяжелых условиях.



Не подвергайте инструмент воздействию дождя и не используйте в условиях повышенной влажности.



Данное изделие не предназначено для использования зазубренного лезвия.



Направление и максимальная скорость вращения вала для режущего приспособления.



Тянуть: Защелка быстрого отсоединения



Помните об опасности, которую представляют собой отбрасываемые устройством или вылетающие из-под него предметы. Держите наблюдателей на безопасном расстоянии далеко от изделия.



Помните об опасности, которую представляют собой отбрасываемые устройством или вылетающие из-под него предметы. Не допускайте приближения посторонних лиц, особенно детей и домашних животных к рабочей зоне ближе чем на 15 м



Держите свои руки подальше от режущей головки.



Отскок режущего лезвия может произойти неожиданно.



Нож Tritan-Arc подходит к данному изделию и может использоваться для резки мягких деревьев и виноградной лозы



Отработанная электротехническая продукция должна уничтожаться вместе с бытовыми отходами. Утилизируйте, если имеется специальное техническое оборудование. По вопросам утилизации проконсультируйтесь с местным органом власти или предприятием розничной торговли.



Настоящий инструмент отвечает всем официальным стандартам страны ЕС, в которой он был приобретен.

Знак Евразийского Соответствия Сертификат Соответствия № TC RU C-DE.AE11.B.04154  
Срок действия Сертификата Соответствия По 11.08.2020  
Некоммерческая организация Учреждение сертификации и экспертизы «Сертэкс»  
109044 РФ, город Москва, 3-й Крутицкий переулок, дом 11



Украинский знак стандартизации



Гарантированный уровень звуковой мощности для кустореза



Гарантированный уровень звуковой мощности для триммера



Отсоединение от сетевой розетки



Детали или принадлежности, приобретаемые отдельно



Примечание

Следующие сигнальные слова и значения предназначены, чтобы объяснить уровни риска, связанного с этим изделием.

#### **⚠ ОПАСНО**

Указывает неизбежно опасную ситуацию, которая, если не избежать, кончится смертельным или серьезным ущербом.

#### **⚠ ОСТОРОЖНО**

Указывает потенциально опасную ситуацию, которая, если не избежать, может кончиться смертельным или серьезным ущербом.

#### **⚠ ПРЕДОСТЕРЕЖЕНИЕ**

Указывает потенциально опасную ситуацию, которая, если не избежать, может кончиться малым или уменьшенным ущербом.

#### **ПРЕДОСТЕРЕЖЕНИЕ**

Употребляется без предупреждающего знака

Указывает на ситуацию, которая может привести к повреждению имущества.

### УСЛОВНЫЕ ОБОЗНАЧЕНИЯ В ДАННОМ РУКОВОДСТВЕ.



Подключение к сетевой розетке

**Транспортировка:**

Категорически не допускается падение и любые механические воздействия на упаковку при транспортировке.

При разгрузке/погрузке не допускается использование любого вида техники, работающей по принципу зажима упаковки.

**Хранение:**

Необходимо хранить в сухом месте.

Необходимо хранить вдали от источников повышенных температур и воздействия солнечных лучей.

При хранении необходимо избегать резкого перепада температур.

Хранение без упаковки не допускается.

**Срок службы изделия:**

Срок службы изделия составляет 5 лет.

Не рекомендуется к эксплуатации по истечении 5 лет хранения с даты изготовления без предварительной проверки.

**Дата изготовления** (код даты) отштампован на поверхности корпуса изделия.

Пример:

W17 Y2015, где Y2015 - год изготовления

W17 – неделя изготовления

Определить месяц изготовления можно согласно приведенной ниже таблице, на примере 2015 года.

**Обратите внимание!** Количество недель в месяце различается от года в год.

Месяц	Январь	Февраль	Март	Апрель	Май	Июнь	Июль	Август	Сентябрь	Октябрь	Ноябрь	Декабрь	Год
Неделя	01	05	09	14	18	22	27	31	36	40	44	49	2015
	02	06	10	15	19	23	28	32	37	41	45	50	
	03	07	11	16	20	24	29	33	38	42	46	51	
	04	08	12	17	21	25	30	34	39	43	47	52	
	05	09	13	18	22	26	31	35	40	44	48	53	
		14			27								

W przypadku tej bezprzewodowej wykaszarki do krzaków i podkaszarki do trawy zwrócono szczególną uwagę na zapewnienie bezpieczeństwa, wysokiej wydajności oraz niezawodności.

## PRZEZNACZENIE

Opisywana podkaszarka strunowa/przycinarka do krzewów przeznaczona jest do stosowania wyłącznie przez osoby dorosłe, które zapoznały się z instrukcjami i ostrzeżeniami zawartymi w niniejszym dokumencie oraz zrozumiały je, a także mogą być uważane za odpowiedzialne za swoje postępowanie. Produkt jest przeznaczony do użytku wyłącznie na zewnątrz pomieszczeń w dobrze wentylowanym miejscu. Ze względów bezpieczeństwa produkt należy obsługiwać dwiema rękami.

Wyposażony w głowicę podkaszarki żyłkowej (wraz z odpowiednią osłoną) produkt przeznaczony jest do koszenia długiej trawy, niezdrewniałych chwastów oraz podobnej roślinności przy gruncie. Po założeniu noża Tri-Arc™ (wraz z odpowiednią osłoną) narzędzie można wykorzystywać również do przycinania żywopłotu.

Płaszczyzna cięcia powinna być jak najbardziej równoległa do powierzchni gruntu. Urządzenia nie należy używać do docinania żywopłotów, krzewów lub innych roślin w przypadkach, gdy płaszczyzna koszenia nie jest równoległa do płaszczyzny gruntu.

### ⚠ OSTRZEŻENIE

Podczas używania tego urządzenia należy przestrzegać odpowiednich zasad bezpieczeństwa. Aby zapewnić bezpieczeństwo sobie i osobom postronnym, przed przystąpieniem do użytkowania urządzenia należy zapoznać się z niniejszą instrukcją. Niniejszą instrukcję należy przechowywać w bezpiecznym miejscu do późniejszego użytku.

### ⚠ OSTRZEŻENIE

Produkt ten nie jest przeznaczony do użytkowania przez dzieci lub osoby o ograniczonych zdolnościach fizycznych, umysłowych lub sensorycznych. Nie powinno się pozwalać dzieciom na zabawy z tym urządzeniem.

## SZKOLENIE

- Nie wolno zezwalać ani dzieciom, ani osobom dorosłym nie zaznajomionym z tym podręcznikiem na obsługę tego produktu.
- Przeczytać uważnie wszystkie instrukcje. Należy zapoznać się z przyrządami sterowania oraz zasadami prawidłowej obsługi produktu.
- Trzymać osoby postronne, dzieci i zwierzęta z dala od miejsca koszenia. Jeśli na obszarze znajduje się inna osoba, należy zatrzymać produkt.
- Nie wolno obsługiwać produktu w stanie zmęczenia, choroby, będąc pod wpływem alkoholu, środków

odurzających lub lekarstw.

- Produkt należy używać wyłącznie do koszenia trawy i małych chwastów. Nie używać do żadnych innych celów.
- Należy pamiętać, że operator lub użytkownik jest odpowiedzialny za spowodowanie wypadku lub zagrożenia bezpieczeństwa osób i mienia.

## PRZYGOTOWANIE

- Należy nosić pełne zabezpieczenie oczu i uszu podczas obsługi produktu. W przypadku pracy w miejscu, gdzie występuje ryzyko spadających przedmiotów, należy nosić kask.
- Środki ochrony słuchu mogą ograniczać zdolność operatora do usłyszenia dźwięków ostrzegawczych.
- Należy zwracać szczególną uwagę na potencjalne zagrożenia na obszarze pracy.
- Założyć grube, długie spodnie, wysokie buty i rękawice. Nie należy nosić luźnego ubrania, krótkich spodenek, biżuterii oraz nie chodzić boszo.
- Długie włosy należy związać, aby znajdowały się powyżej ramion i aby nie zostały pochwycone przez maszynę.
- Przed użyciem oraz po jakimkolwiek uderzeniu należy sprawdzić, czy żadna część nie jest uszkodzona. Uszkodzony przełącznik lub inna uszkodzona lub zużyta część muszą być odpowiednio naprawione lub wymienione przez autoryzowany punkt serwisowy.
- Należy upewnić się, że głowica tnąca jest prawidłowo zainstalowana i dobrze zamocowana.
- Nigdy nie wolno używać produktu, jeśli jakkolwiek osłona, deflektor lub uchwyt nie są prawidłowo i dobrze zamocowane.
- Należy uwzględnić warunki otoczenia, w którym mają być wykonywane prace. Na miejscu pracy nie mogą znajdować się druty, przewody, patyki, kamienie ani gruz, ponieważ w przypadku uderzenia przez nóż mogą zostać odrzucone.

## OGÓLNE OSTRZEŻENIA DOTYCZĄCE BEZPIECZEŃSTWA

### ⚠ OSTRZEŻENIE

**Zapoznaj się ze wszystkimi zasadami bezpieczeństwa i instrukcjami.** Niezastosowanie się do ostrzeżeń i instrukcji może spowodować porażenie prądem, pożar oraz/lub poważne obrażenia ciała.

Zachowajcie te ostrzeżenia i zalecenia, aby móc się do nich odnieść w późniejszym czasie. Termin "elektronarzędzia" stosowany w przedstawionych tu zasadach bezpieczeństwa odnosi się zarówno do urządzeń zasilanych z sieci energetycznej (przewodowych) jak i urządzeń zasilanych z akumulatora (beprzewodowych).

## OTOCZENIE ROBOCZE

- **Miejsce pracy musi być utrzymywane w czystości i dobrze oświetlone.** Obszary zaśmieczone lub niewystarczająco oświetlone mogą być przyczyną wypadku.
- **Nie wolno uruchamiać urządzeń elektrycznych w miejscach, gdzie grozi to wybuchem, na przykład w pobliżu łatwopalnych cieczy, gazów lub pyłów.** Urządzenia elektryczne mogą wytwarzać iskry, które mogą być przyczyną zapłonu pyłów lub oparów.
- **Podczas używania narzędzi elektrycznych należy utrzymywać osoby postronne i dzieci z dala od miejsca pracy.** Odwrócenie uwagi operatora może spowodować utratę kontroli nad urządzeniem.

## ZASADY BEZPIECZEŃSTWA DOTYCZĄCE OBSŁUGI URZĄDZEŃ ELEKTRYCZNYCH

- **Wtyczki zasilania elektronarzędzi muszą pasować do gniazd sieciowych.** Nie wolno modyfikować wtyczek w żaden sposób. Nie wolno używać żadnych przejściówek do podłączania urządzeń posiadających przewód zasilania z uziemieniem. Stosowanie oryginalnych wtyczek i dopasowanych gniazd sieciowych zmniejsza ryzyko porażenia prądem.
- **Unikać kontaktu ciała z powierzchniami uziemionymi lub podłączonymi do bieguna zerowego, np. rury, instalacje grzewcze i chłodnicze.** Kontakt ciała z masą lub uziemieniem zwiększa ryzyko porażenia prądem.
- **Nie narażać tego produktu na działanie deszczu lub wody.** Przedostanie się wody do wnętrza elektronarzędzia zwiększa ryzyko porażenia prądem.
- **Nie uszkodzić przewodu zasilania.** Nie wolno używać przewodu zasilania do przenoszenia, ciągnięcia urządzenia lub jego odłączania z gniazda sieciowego. Przewody elektryczne trzymać z dala od źródeł ciepła, oleju, ostrych krawędzi lub ruchomych elementów. Uszkodzony lub zaplątany przewód elektryczny zwiększa ryzyko porażenia prądem.
- **W przypadku używania urządzenia na zewnątrz, ewentualne przedłużacze muszą być do tego przystosowane.** Zastosowanie przedłużacza przystosowanego do warunków zewnętrznych zmniejsza ryzyko porażenia prądem.
- **Jeśli nie można uniknąć użytkowania urządzenia elektrycznego w warunkach wilgotnych, należy je zasilac z obwodu zabezpieczonego wyłącznikiem różnicowo-prądowym (RCD).** Zastosowanie takiego wyłącznika pozwala zmniejszyć ryzyko porażenia prądem elektrycznym.

## BEZPIECZEŃSTWO OSOBISTE

- **Zachowywać skupienie, uważnie obserwować wykonywane czynności, stosować zasady zdrowego rozsądku podczas obsługi urządzenia.** Nie używać urządzeń elektrycznych w stanie

zmęczenia lub będąc pod wpływem leków, alkoholu lub środków odurzających. Moment nieuwagi podczas obsługi elektronarzędzia może być przyczyną poważnego zranienia.

- **Stosować środki ochrony osobistej. Zawsze nosić okulary ochronne.** Stosowanie takich środków ochrony osobistej jak maska przeciwpyłowa, obuwie antypoślizgowe, twarde nakrycie głowy, nauszники pozwolą zmniejszyć ryzyko zranienia.
- **Unikać możliwości przypadkowego uruchomienia urządzenia. Przed podłączeniem do zasilania/założeniem akumulatora lub w celu jego podniesienia lub przeniesienia należy upewnić się, że wyłącznik zasilania znajduje się w położeniu wyłączonym.** Przenoszenie elektronarzędzia z palcem na wyłączniku lub podłączenie zasilania do urządzenia, w którym wyłącznik znajduje się w położeniu włączonym grozi wypadkiem.
- **Usunąć wszelkie narzędzia i klucze przed włączeniem zasilania.** Uruchomienie elektronarzędzia z kluczem założonym na ruchomym elemencie grozi poważnym wypadkiem.
- **Nie sięgać zbyt daleko. Należy cały czas pewnie opierać stopy i utrzymywać równowagę.** Zapewni to lepsze panowanie nad urządzeniem w nieprzewidywalnych sytuacjach.
- **Należy zakładać odpowiednią odzież ochronną. Nie zakładać luźnego ubioru ani biżuterii. Trzymać włosy, ubranie i okulary z dala od ruchomych elementów.** Mogą być one wciągnięte przez ruchome części urządzenia.
- **Jeśli używane urządzenie posiada przyłącze do wyciągu i gromadzenia kurzu, należy go używać w odpowiedni sposób.** Stosowanie metod usuwania pyłu zmniejsza zagrożenie związane z jego gromadzeniem.

## UŻYTKOWANIE I KONSERWACJA URZĄDZEŃ ELEKTRYCZNYCH

- **Nie przeciągać urządzenia. Używać odpowiedniego narzędzia do odpowiedniego rodzaju prac.** Najlepsze efekty pracy, przy zachowaniu pełnego bezpieczeństwa, zapewni używanie urządzeń w zakresie parametrów znamionowych i stosownie do ich przeznaczenia.
- **Nie używać tego urządzenia, jeśli wyłącznik nie pracuje poprawnie.** Używanie elektronarzędzia bez sprawnego wyłącznika jest zbyt niebezpieczne - należy oddać je do naprawy.
- **Przed przystąpieniem do regulacji, wymiany akcesoriów lub przed odłożeniem elektronarzędzia w miejsce przechowywania należy wyjąć wtyczkę z gniazda sieciowego lub wyjąć akumulator.** Tego rodzaju środki zapobiegawcze pozwolą zmniejszyć ryzyko przypadkowego uruchomienia elektronarzędzia.
- **Nieużywane urządzenia należy przechowywać poza zasięgiem dzieci.** Nie wolno zezwalać osobom nie obeznanym z obsługą urządzeń elektrycznych

na ich używane. Urządzenia elektryczne mogą być niebezpieczne w rękach osób nieposiadających odpowiedniego przygotowania.

- **Urządzenia elektryczne wymagają konserwacji. Należy sprawdzać wyrównanie elementów ruchomych, sprawdzać, czy nie ma jakichkolwiek uszkodzeń, uwzględniać wszelkie aspekty mające wpływ na bezpieczną pracę urządzenia. W przypadku stwierdzenia uszkodzeń, oddać urządzenie do naprawy.** Wiele wypadków spowodowane jest używaniem urządzeń w niewłaściwym stanie technicznym.
- **Elementy tnące muszą być ostre i czyste.** Odpowiednio ostre krawędzie tnące ułatwią prowadzenie urządzenia i są bardziej odporne na uszkodzenie.
- **Wszelkie urządzenia, przystawki, akcesoria itp. należy używać zgodnie z dołączonymi instrukcjami obsługi, z uwzględnieniem warunków i charakteru wykonywanej pracy.** Używanie narzędzi w sposób niezgodny z ich przeznaczeniem grozi poważnym niebezpieczeństwem.

#### UŻYTKOWANIE I OBSŁUGA AKUMULATORA

- **Ładować wyłącznie za pomocą ładowarki dostarczonej przez producenta.** Ładowarka przeznaczona do jednego modelu akumulatora może być przyczyną pożaru w przypadku zastosowania do ładowania akumulatora innego typu.
- **Używać narzędzi ręcznych z napędem elektrycznym wyłącznie z akumulatorami przeznaczonymi do tych urządzeń.** Używanie innych akumulatorów wiąże się ze zwiększonym ryzykiem pożaru lub obrażeń ciała.
- **Gdy akumulator nie jest używany, przechowywać go z dala od innych metalowych przedmiotów, np. spinaczy, monet, kluczy, gwoździ, śrub lub innych małych metalowych przedmiotów, które mogłyby utworzyć połączenie między stykami, prowadząc do zwarcia.** Zwarcie styków akumulatora może spowodować oparzenia lub pożar.
- **W przypadku niewłaściwej obsługi może dojść do wycieku płynu z akumulatora, należy unikać kontaktu z tym płynem. Miejsce ewentualnego kontaktu przepłukać wodą.** W przypadku, gdy płyn dostanie się do oczu, po przemyciu zwrócić się o pomoc do lekarza.
- **Płyn wyciekający z akumulatora może powodować podrażnienia i oparzenia.**

#### KONSERWACJA

- Urządzenie elektryczne powinno być naprawiane przez wykwalifikowany personel, z zastosowaniem identycznych części zamiennych. Dzięki temu zapewnione będzie bezpieczeństwo użytkownika urządzenia.

#### ⚠ OSTRZEŻENIE

Nigdy nie należy stosować metod cięcia lub rodzajów osprzętu tnącego, które nie zostały wyszczególnione przez firmę Ryobi w niniejszej instrukcji. Dotyczy to również stosowania metalowych łańcuchów obrotowych i zamocowanych luźno ostrzy. Wiadomo, że tego rodzaju osprzęt często pęka w trakcie użytkowania, co stwarza wysokie ryzyko poważnego urazu u operatora oraz osób przebywających w pobliżu.

#### ⚠ OSTRZEŻENIE

Sprawdzenie po upuszczeniu lub innych uderzeniach: Należy dokładnie sprawdzić produkt w celu stwierdzenia wszelkich uszkodzeń. Każdą uszkodzoną część należy odpowiednio naprawić lub wymienić w autoryzowanym punkcie serwisowym.

#### OSTRZEŻENIA DOTYCZĄCE BEZPIECZNEJ OBSŁUGI PODKASZARKI

- W niektórych regionach obowiązują przepisy ograniczające używanie produktu. Informacje na ten temat można uzyskać w lokalnych urzędach.
- Nie wolno zezwalać ani dzieciom, ani osobom dorosłym nie zaznajomionym z tym podręcznikiem na obsługę tego produktu.
- Produkt należy używać przy świetle dziennym lub przy dobrym oświetleniu sztucznym.
- Unikać używania urządzenia do mokrej trawy.
- Podczas używania produktu nie należy chodzić do tyłu.
- Stać stabilnie, zachowując równowagę. Nie sięgać zbyt daleko. Sięganie zbyt daleko grozi utratą równowagi. Na zboczach należy zawsze stać w sposób pewny. Podczas pracy należy chodzić, nie wolno biegać.
- Nie używać kosiarki, jeśli występuje ryzyko wyładowań atmosferycznych.
- Nie narażać tego produktu na działanie deszczu lub wody. Woda dostająca się do urządzenia stwarza zagrożenie porażenia prądem.
- Osoby postronne, dzieci i zwierzęta muszą znajdować się w odległości przynajmniej 15 metrów od miejsca pracy. Jeśli na obszarze znajduje się inna osoba, należy zatrzymać produkt.
- Głowica tnąca musi znajdować się poniżej linii pasa.
- Nie używać produktu z uszkodzonymi osłonami lub bez założonych osłon.
- Nie wolno zastępować żyłki linką metalową.
- Trzymać dłonie i stopy z dala od elementów tnących przez cały czas pracy, a szczególnie podczas uruchamiania silnika.
- Uwaga: ostrza nadal obracają się po wyłączeniu silnika.
- Należy zwrócić uwagę na obiekty odrzucane przez elementy tnące. Przed rozpoczęciem pracy należy

usunąć małe kamienie, gruz oraz inne obce objekty z miejsca pracy. Druty lub sznurki mogą zostać pochwycone przez przyrząd tnący.

- Wyłączyć zasilanie i wyjąć wtyczkę z gniazda sieciowego przed następującymi czynnościami:
  - serwisowanie
  - pozostawianie produktu bez nadzoru
  - czyszczenie produktu lub usuwanie zablokowanego obiektu
  - wymiana akcesoriów
  - kontrola uszkodzeń po uderzeniu obiektu
  - kontrola uszkodzeń w przypadku, gdy produkt wpada w nietypowe drgania
  - konserwacja
  - Demontaż noża
  - Montaż noża
- Małe ostrze zamocowane na osłonie do koszenia umożliwia docinanie świeżo rozwiniętej żytki na odpowiedniej długości w celu zapewnienia optymalnej pracy. Jest ono bardzo ostre. Nie należy dotykać go szczególnie podczas czyszczenia narzędzia.
- Otwory wentylacyjne należy utrzymywać w stanie wolnym od zanieczyszczeń.
- Należy upewnić się, że głowica tnąca jest prawidłowo zainstalowana i dobrze zamocowana.
- Upewnić się, że wszystkie elementy zabezpieczające, osłony i uchwyty są prawidłowo i bezpiecznie zamocowane.
- Nie modyfikować produktu w jakikolwiek sposób. akumulator grzewa się jedynie w wypadku przedłużonego używania narzędzia.
- Należy stosować wyłącznie żytkę tnącą producenta. Nie używaj żadnych innych akcesoriów tnących.

### ZASADY BEZPIECZEŃSTWA DOTYCZĄCE PRACY Z PRZYCINARKĄ DO ŻYWOPŁOTU

- Oprócz powyższych zasad w trakcie używania produktu jako przycinarki do żywopłotu obowiązują poniższe dodatkowe zalecenia.
- W trakcie zakładania i zdejmowania noży/tarcz należy nosić wytrzymałe rękawice, ponieważ mają one ostre krawędzie.
- Nie wolno próbować dotykać ani zatrzymywać obracającego się ostrza.
- Kontakt z nożem/tarczą w ruchu może spowodować poważny uraz. Należy utrzymywać odpowiednią kontrolę nad narzędziem, trzymając je obydwiema rękami do momentu całkowitego wyhamowaniu obrotów noża/tarczy.
- Uszkodzone ostrze należy niezwłocznie wymienić. Przed każdym użyciem należy upewnić się, że ostrze jest prawidłowo założone i bezpiecznie zamocowane.

- Należy stosować wyłącznie zamienne ostrze Tri-Arc™ producenta. Nie używaj żadnych innych akcesoriów tnących.
- Nie należy wolno ciąć materiału o średnicy powyżej 1,25 cm (0,5 in.).
- Przycinarka do żywopłotu wyposażona jest w uprząż. Należy starannie dopasować uprząż, aby umożliwiała ona komfortowe trzymanie maszyny oraz aby zwisiała z prawej strony.
- Należy sprawdzić, w jaki sposób należy obsługiwać mechanizm szybkiego zwalniania i przeciwżyć używanie go przed uruchomieniem maszyny. Prawidłowe użycie może zapobiec poważnym obrażeniom ciała w razie nagłej sytuacji. Nigdy nie należy zakładać dodatkowej odzieży na uprząż, ponieważ spowodowałyby to ograniczenie dostępu do mechanizmu szybkiego zwalniania.
- Do przechowywania lub transportu na ostrze należy zakładać osłonę. Przed uruchomieniem urządzenia należy zdjąć osłonę ostrza. Jeśli nie zostanie zdjęta, osłona ostrza może zostać odrzucona z dużą siłą gdy ostrze zacznie pracować.
- Zachowaj szczególną ostrożność w przypadku używania produktu z ostrzem. Jeśli obracające się ostrze zetknie się z przedmiotem, którego nie może przeciąć, może dojść do odskoczenia ostrza. Takie zetknięcie może spowodować całkowite zablokowanie ostrza i następnie gwałtowne „odrzucenie” kosiarki. Reakcja może być na tyle gwałtowna, że grozi utratą kontroli nad urządzeniem. Zjawisko odrzutu może wystąpić bez ostrzeżenia w przypadku ześlizgnięcia się, zablokowania, lub zakleszczenia ostrza. Prawdopodobieństwo takiego zdarzenia wzrasta, gdy cięty materiał nie jest dobrze widoczny.
- Ze względu na wygodę i bezpieczeństwo cięcia do ciętej trawy należy zbliżyć się od prawej do lewej strony. W przypadku kontaktu z nieoczekiwanym obiektem lub zdrewniałymi łodygami może go zminimalizować zjawisko odskoczenia ostrza. Do obsługi tego urządzenia należy przez cały czas używać obydwu rąk.

### TRANSPORT I PRZECHOWYWANIE

- Przed schowaniem lub transportem produktu należy zatrzymać go i odczekać, aż ostygnie.
- Usunąć z produktu wszelkie zanieczyszczenia. Jeżeli zamontowano nóż, osłonić go ochraniaczem.
- Przed odłożeniem urządzenia w miejsce przechowywania, należy je odłączyć od zasilania i zwinąć przewód zasilający. Należy przechowywać urządzenie w chłodnym, suchym i dobrze wentylowanym miejscu, które jest niedostępne dla dzieci. Nie chowajcie jej w pobliżu czynników żrących, takich jak ogrodowe produkty chemiczne czy sole odmrażające. Nie przechowywać na zewnątrz.
- W przypadku transportu produktu należy zabezpieczyć go przed przemieszczaniem się lub upadkiem, aby nie



dopuścić do obrażeń ciała lub uszkodzenia urządzenia.

## KONSERWACJA

### ⚠ OSTRZEŻENIE

Należy stosować wyłącznie oryginalne części zamienne, akcesoria oraz przystawki producenta. W przeciwnym razie może dojść do obrażeń ciała, niskiej wydajności oraz do unieważnienia gwarancji.

### ⚠ OSTRZEŻENIE

Serwisowanie wymaga wyjątkowej staranności i wiedzy. Może być wykonywane wyłącznie przez wykwalifikowany personel serwisowy. W celu naprawy zaleca się oddać kosiarkę do najbliższego autoryzowanego punktu serwisowego. Do napraw używać wyłącznie identycznych zamienników.

- Przed przystąpieniem do konserwacji lub czyszczenia należy zawsze wyłączyć urządzenie i wyjąć akumulator.
- Możesz wykonywać czynności regulacyjne i naprawcze opisane w tej instrukcji obsługi. W przypadku innych napraw należy skontaktować się autoryzowanym punktem serwisowym.
- Do wymiany należy stosować wyłącznie nylonowej ciągłej żyłki o średnicy podanej w tabeli specyfikacji w tej instrukcji.
- Po wyciągnięciu nowej żyłki tnącej, zawsze przed włączeniem urządzenia należy ustawić je w normalnym położeniu roboczym.
- Po każdym użyciu należy wyczyścić produkt miękką, suchą szmatką. Każdą uszkodzoną część należy odpowiednio naprawić lub wymienić w autoryzowanym punkcie serwisowym.
- Systematycznie sprawdzać, czy wszystkie nakrętki, wkręty i śruby są dobrze dokręcone, aby upewnić się, że produkt jest w bezpiecznym stanie.

## RYZIKO ZWIĄZANE Z UŻYTKOWANIEM:

Nawet jeśli produkt jest używany zgodnie z zaleceniami, nadal nie jest możliwe wyeliminowanie określonych czynników ryzyka. Następujące zagrożenia mogą wystąpić podczas używania urządzenia i operator powinien zwracać szczególną uwagę na poniższe punkty:

- Urazy ciała spowodowane przez wibracje.  
Należy trzymać produkt za odpowiednie uchwyty oraz stosować się do zaleceń dotyczących czasu pracy i narażenia.
- Uszkodzenie słuchu spowodowane narażeniem na hałas.  
Należy nosić środki ochrony uszu oraz ograniczyć poziom narażenia.
- Urazy spowodowane odrzucanymi odpadkami  
Stosować przez cały czas środki ochrony oczu.

Kontakt z ostrzem. Gdy produkt nie jest używany, należy zakładać osłonę ostrza. Nigdy nie zbliżać rąk i nóg w pobliże ostrzy.

W trakcie używania przycinarki do krzewów może dojść do odrzutu urządzenia. Należy zapewnić odpowiednią kontrolę nad narzędziem, trzymając wyznaczone uchwyty obydwiema dłońmi. Należy zapoznać się ze wskazówkami zamieszczonymi w niniejszej instrukcji i stosować się do nich, aby ograniczyć ryzyko odrzutu.

Należy uważać na spadające obiekty: Podczas wycinania krzewów należy nosić kask ochronny, jeśli występuje ryzyko spadających obiektów.

## OGRANICZENIE RYZYKA

Znane są przypadki wywołania u niektórych osób objawu Raynauda spowodowanego wibracjami produktu. Typowe objawy to mrowienie, drętwienie i blednięcie palców, widoczne zwykle po wystawieniu na działanie zimna. Uważa się, że czynniki dziedziczne, wystawienie na działanie zimna i wilgoci, dieta, palenie papierosów i przyjęte zwyczaje przyczyniają się do rozwoju tych objawów. Istnieją środki zaradcze, które może podjąć operator narzędzia, aby zmniejszyć efekt wibracji:

- Zadbaj w niskich temperaturach o ciepłotę własnego ciała, zakładając odpowiednie ubranie. Podczas obsługi produktu należy nosić rękawice, aby dłonie i nadgarstki były ciepłe. Wiadomo, że niskie temperatury są główną przyczyną powstawania objawu Raynauda.
- Podczas przerw w pracy należy wykonywać ćwiczenia poprawiające krążenie krwi..
- Podczas pracy robić częste przerwy. Ograniczyć ekspozycję w ciągu dnia.

W razie doświadczenia dowolnego z wymienionych objawów, należy niezwłocznie zaprzestać użytkowania tego urządzenia i skontaktować się z lekarzem.

### ⚠ OSTRZEŻENIE

Długotrwałe użytkowanie narzędzia może spowodować obrażenia ciała lub nasilić dolegliwości zdrowotne. W przypadku używania narzędzia przed dłuższy czas należy pamiętać o regularnych przerwach.

## ZAPOZNAJ SIĘ ZE SWOIM PRODUKTEM

Patrz str. 154.

1. Górny wał
2. Uchwyt rowerowy
3. Wyłącznik WŁĄCZENIE/WYŁĄCZENIE
4. Przycisk uruchamiający
5. Połączenie wału
6. Dolny wałek
7. Deflektor trawy
8. Ostrze do przycinania żyłki
9. Linia cięcia
10. Głowica odbojnikowa

11. Osłona szpuli
12. Szpula
13. Przelotka
14. Spust blokady
15. Spust regulacji prędkości
16. Przedni uchwyt
17. Osłona ostrza
18. Ostrze Tri-Arc
19. Ochraniacz ostrza
20. Akumulator
21. Przycisk zatrzasku akumulatora
22. Przewód ładowarki
23. Ładowarka

**SYMBOLE PRODUKTU**



Alarm bezpieczeństwa



Należy przeczytać i zrozumieć wszystkie instrukcje przed rozpoczęciem obsługi produktu oraz przestrzegać wszystkich ostrzeżeń i instrukcji dotyczących bezpieczeństwa.



Stosować środki ochrony oczu, uszu i głowy.



Podczas korzystania z tego produktu należy zakładać wysokie, antypoślizgowe obuwie ochronne.



Zakładać antypoślizgowe, grube rękawice ochronne.



Nie wystawiać urządzenia na działanie deszczu ani nie używać w miejscach o dużej wilgotności.



Produkt nie jest przeznaczone do zakładania tarcz zębatych.



Kierunek obrotów i maksymalna prędkość obrotowa wału napędowego przystawki tnącej.



Ciągnięcie:  
Wypust szybkozłączca



Uwaga na odrzucone przedmioty. Osoby postronne należy utrzymywać w bezpiecznej odległości od produktu.



Uwaga na odrzucone przedmioty. Wszystkie osoby postronne, a szczególnie dzieci i zwierzęta, muszą znajdować się w odległości przynajmniej 15 metrów od miejsca pracy.



Nie zbliżać rąk do ostrza tnącego.



Zwracać uwagę na ciąg tarczy tnącej.



Nóż Tri-Arc może być stosowany z tym produktem i nadaje się do cięcia niezdrewniałych chwastów oraz winorośli.



Zużyte produkty elektryczne nie powinny być utylizowane z odpadami domowymi. Prosimy poddawać recyklingowi w odpowiednich miejscach. Informacje o właściwych metodach recyklingu można uzyskać u władz lokalnych lub sprzedawcy.



Narzędzie to spełnia wymogi wszystkich norm reglamentacji kraju UE, w którym było ono zakupione.



Znak zgodności EurAsian



Ukraiński znak zgodności



Gwarantowany poziom natężenia dźwięku dla przycinarki do drzewów



Maksymalny poziom natężenia hałasu wynosi 82 dB.

**SYMBOLE W TYM PODRĘCZNIKU**



Podłączyć do gniazda zasilania



Odłączyć z gniazda zasilania



Części lub akcesoria sprzedawane oddzielnie



Objaśnienie

Poniższe symbole i nazwy które im nadano, pozwalają wyjaśnić różne poziomy ryzyka związanego z używaniem tego narzędzia.

**⚠ NIEBEZPIECZEŃSTWO**

Wskazuje na realne zagrożenie, które może spowodować śmierć lub poważne zranienie, jeżeli się nie uniknie tego niebezpieczeństwa.

**⚠ OSTRZEŻENIE**

Wskazuje na potencjalne zagrożenie, które może spowodować śmierć lub poważne zranienie, jeżeli się nie uniknie tego niebezpieczeństwa.

**⚠ UWAGA**

Wskazuje na potencjalne zagrożenie, które może spowodować mniejsze lub bardziej poważne zranienie, jeżeli się nie uniknie tego niebezpieczeństwa.

**UWAGA**

Bez symbolu ostrzeżenia

Sytuacja, która może grozić uszkodzeniem mienia.

Bezpečnost, výkon a spolehlivost byli hlavní prioritou při návrhu vašeho bezdrátového křovinořezu a sekačky.

### ZAMÝŠLENÉ POUŽITÍ

Strunovou sekačku/křovinořez smí používat pouze dospělé osoby, které si přečetly a řádně pochopily pokyny a upozornění v tomto návodu, a mohou být považovány za zodpovědné za své činy. Tento výrobek je určen pouze pro venkovní používání v dobře větrané oblasti. Z bezpečnostních důvodů je nutné s produktem řádně manipulovat oběma rukama.

Produkt vybavený zastříhávači strunovou hlavou (a příslušným krytem) je vhodný k sečení vysoké trávy, dužinatého plevelu a podobné vegetace v úrovni nebo takřka v úrovni země. Je-li produkt vybaven čepelí Tri-Arc™ (a příslušným chráničem), lze jej použít také jako křovinořez.

Rovina řezu by měla být víceméně rovnoběžně s plochou země. Výrobek se nesmí používat pro stříhání či úpravu živého plotu, keřů nebo jiné vegetace, kde rovina řezu není rovnoběžně s plochou země.

### VAROVÁNÍ

Při používání výrobku musí být dodrženy bezpečnostní předpisy. Pro vaši vlastní bezpečnost i bezpečnost kolemjdoucích si přečtěte tento návod k obsluze. Tyto pokyny uschovejte pro příští použití.

### VAROVÁNÍ

Tento nástroj není určen pro používání osobami, včetně dětí, pokud jsou jejich fyzické, pohybové nebo mentální schopnosti sníženy. Děti je třeba kontrolovat, aby se zajistilo, že si nebudou hrát s přístrojem.

### ZAŠKOLENÍ

- Nenechejte děti nebo osoby neseznámené s těmito pokyny pracovat s výrobkem.
- Návod si pečlivě přečtěte. Seznamte se všemi ovládacími a řádným používáním výrobku.
- Při vyžínání udržujte pracovní prostor bez kolemstojících osob, dětí a zvířat. Zastavte výrobek, pokud někdo vstoupí do pracovního prostoru výrobku.
- Výrobek nepoužívejte, pokud jste unavení, nemocní nebo pod vlivem drog, alkoholu či léků.
- Výrobek použijte pouze k sekání trávy a menšího plevelu. Přístroj nepoužívejte ji k jiným účelům.
- Uživatel nebo obsluha tohoto zahradnického nástroje je zodpovědná za nehody nebo nebezpečí způsobená na jiné osobě nebo jejich majetku.

### PŘÍPRAVA

- Při práci s výrobkem používejte kompletní ochranu zraku a sluchu. Noste ochrannou helmu, kde hrozí nebezpečí pádu předmětů.

- Ochrana sluchu může omezit schopnost obsluhy slyšet varovné signály.
- Věnujte zvláštní pozornost na potenciálním nebezpečím kolem a uvnitř pracovní plochy.
- Noste silné dlouhé kalhoty, boty a rukavice. Nenoste volné oděvy, krátké kalhoty, jakékoli šperky; nebuďte při práci bosí.
- Dlouhé vlasy si svažte nad rameny, aby se nemohly zaplést do pohyblivých částí.
- Před prací s nástrojem a po nárazu zkontrolujte možné poškození dílů. Pokud je spínač nebo nějaká část poškozena či opotřebená, musí se řádně opravit nebo vyměnit pověřeným servisním střediskem.
- Zkontrolujte, zda je sekací doplněk řádně nainstalován a bezpečně upevněn.
- Nikdy výrobek neprovozujte, dokud nejsou všechny chrániče, vodící plechy a rukojetě řádně a bezpečně připojeny.
- Berte ohled na prostředí, ve kterém pracujete. Z pracovní oblasti odstraňte dráty, kameny a předměty, které po styku s nástrojem mohou být odmrštěny.

### VŠEOBECNÁ BEZPEČNOSTNÍ VAROVÁNÍ

#### VAROVÁNÍ

**Přečtěte si všechny pokyny a bezpečnostní varování.** Opomenutí dodržování varování a pokynů uvedených níže může způsobit úraz elektrinou požár a/ nebo vážná poranění osob.

Uschovejte všechny pokyny a upozornění, abyste se k nim mohli v budoucnosti vrátit. Pojem „elektricky poháněný nástroj“ ve varování poukazuje na váš nástroj, který je napájen pomocí napájecího kabelu z elektrické sítě (s kabelem) nebo z baterie (bez přívodního kabelu).

### PRACOVNÍ PROSTŘEDÍ

- **Udržujte pracovní prostor čistý a dobře osvětlený.** Zatarasené nebo tmavé oblasti vedou k nehodám.
- **Nepracujte s tímto elektricky poháněným nástrojem ve výbušných prostředích, například v přítomnosti hořlavých kapalin, plynů nebo prachu.** Elektricky poháněné nástroje vytvářejí jiskry, které mohou zapálit prach nebo výpary.
- **Udržujte děti a přihlízející během práce s elektricky poháněným nástrojem stranou.** Rozptylování může způsobit ztrátu kontroly.

### ELEKTRICKÁ BEZPEČNOST

- **Zástrčky elektricky poháněného nástroje musí být shodné s elektrickou zásuvkou. Nepokoušejte se zástrčku jakýmkoliv způsobem upravovat. Nepoužívejte žádný adaptér zástrček se zemným (uzemněným) elektricky poháněným nástrojem.** Neupravené zástrčky a shodné zásuvky snižují

nebezpečí elektrického úrazu.

- **Předcházejte tělesnému kontaktu s uzemněnými nebo zemennými povrchy, například trubkami, radiátory, sporáky a lednicemi.** Je zde zvýšené nebezpečí zásahu elektrickým proudem, pokud je vaše tělo zemněno nebo uzemněno.
- **Nevystavujte tento přístroj dešti nebo vlhkým podmínkám.** Voda vnikající do elektricky poháněného nástroje zvyšuje nebezpečí elektrického úrazu.
- **Nepoškozujte napájecí kabel. Nikdy pro odpojování, táhnutí nebo přenášení elektricky poháněného nástroje nepoužívejte kabel. Udržujte kabel mimo horké plochy, olej, pohyblivé součásti nebo ostré hrany.** Poškozené nebo zamožané kabely zvyšují nebezpečí elektrického úrazu.
- **Pokud používáte elektricky poháněný nástroj ve venkovním prostředí, používejte prodlužovací kabel vhodný pro venkovní prostředí.** Použití kabelu vhodného pro venkovní prostředí snižuje nebezpečí elektrického úrazu.
- **Pokud používáte elektricky poháněný nástroj ve vlhkém prostředí, je nezbytné používat proudový chránič (PCH).** Použití PCH snížíte nebezpečí poranění elektrickým proudem.

#### OSOBNÍ BEZPEČNOST

- **Bud'te ve střehu, hlídejte, co děláte a používejte zdravý rozum při provozu tohoto elektricky poháněného nástroje.** Elektrický nástroj nepoužívejte, pokud jste unaveni nebo pod vlivem drog, alkoholu nebo léků. Chvilu nepozornosti při práci s tímto elektricky poháněným nástrojem může způsobit vážná poranění osob.
- **Používejte osobní ochrannou výbavu. Vždy noste ochranu očí.** Ochranná výbava jako respirátor, protiskluzová obuv, ochranná přilba nebo ochrana sluchu použitá pro příslušné podmínky snižuje osobní poranění.
- **Zabraňte náhodnému spuštění. Zabezpečte, aby byl spínač v poloze vypnuto (off) před připojením zdroje energie a/nebo bloku baterií, přípravou nebo nesením nástroje.** Nošení elektrického nástroje s vaším prstem na spínači nebo se zapojenou zástrčkou elektrického nástroje může při zapnutí vést k nehodě.
- **Odstraňte všechny seřizovací klíče nebo šroubováky, než zapnete poháněný nástroj.** Klíč nebo šroubovák ponechaný přiložený k pohyblivému dílu elektricky poháněného nástroje může způsobit poranění osob.
- **Nepřeceňujte se. Udržujte řádné postavení a rovnováhu po celou dobu práce.** Toto umožňuje lepší ovládnutí poháněného nástroje v neočekávaných situacích.
- **Správně se oblékejte. Nenoste volný oděv nebo šperky. Udržujte svoje vlasy, oděv a rukavice mimo pohybující se části.** Volný oděv, šperky nebo dlouhé vlasy mohou být zachyceny do pohyblivých dílů.

- **Pokud jsou zařízení vybavena přípojkou pro odsávání prachu a sběrným zařízením, ujistěte se, že jsou správně připojeny k nástroji, a že se správně používají.** Použití odsavače prachu může snížit nebezpečí související s prachem.

#### POUŽITÍ A PÉČE O NÁSTROJ

- **Nepoužívejte nadměrnou sílu na nástroj. Nářadí vybírejte podle povahy práce, kterou chcete provádět.** Správný elektricky poháněný nástroj bude svou práci provádět lépe a bezpečněji při práci, pro kterou byl navržen.
- **Elektricky poháněný nástroj nepoužívejte, pokud spínač nezapíná a nevyplíná.** Každý elektricky poháněný nástroj, který nemůže být ovládán spínačem, je nebezpečný a musí být opraven.
- **Odpojte zástrčku od zdroje napájení a/nebo bateriový modul dříve, než provedete jakákoliv nastavení, výměnu příslušenství nebo než elektrický nástroj uložíte.** Také bezpečnostní preventivní opatření snižují riziko náhodného spuštění elektrického nástroje.
- **Ukládejte nečinný elektricky poháněný nástroj mimo dosah dětí a nenechávejte neznámé osoby pracovat s elektricky poháněným nástrojem nebo s těmito pokyny k obsluze elektrického nástroje.** Elektricky poháněné nástroje jsou nebezpečné v rukou nekalifikovaných uživatelů.
- **Udržujte elektrické nástroje. Kontrolujte vychýlení nebo zasekávání pohyblivých dílů, rozbité části a každé jiné podmínky, které mohou ovlivnit funkci elektricky poháněných nástrojů. Zjistí-li se poškození, musí se elektricky poháněný nástroj před použitím opravit.** Mnoho úrazů je způsobeno nedostatečně udržovanými elektricky poháněnými nástroji.
- **Udržujte řezné nástroje ostré a čisté.** Řádně udržované řezné nástroje s ostrými řeznými hranami mají nízkou pravděpodobnost zaseknutí a jsou snadněji ovladatelné.
- **Poháněné nástroje, příslušenství a vrtáky, atd. používejte v souladu s těmito pokyny s ohledem k pracovním podmínkám a práci, která má být provedena.** Použití elektricky poháněného nástroje pro práce jiné, než zamýšlené by mohlo mít za následek nebezpečnou situaci.

#### POUŽITÍ A PÉČE O NÁSTROJ NA BATERIE

- **Dobíjejte pouze nabíječkou určenou výrobcem.** Nabíječka, která je vhodná pro jeden typ akumulátoru může způsobit nebezpečí požáru, pokud se používá s jiným bateriovým modulem.
- **Elektrický nástroj používejte pouze s přesně určeným bateriovým modulem.** Použití jakéhokoliv jiného akumulátoru může způsobit nebezpečí poranění a požáru.

- Pokud akumulátor nepoužíváte, uchovávejte jej mimo kovové předměty jako svorky pro papír, mince, klíče, hřebíky, šrouby nebo jiné malé kovové předměty, které mohou vytvořit propojení jednoho vývodu s druhým. Zkratování vývodů baterie může způsobit požár nebo popálení.
- Za nevhodných podmínek může z baterie vytékat kapalina; zabraňte kontaktu. Pokud dojde k náhodnému kontaktu, omyjte vodou. Pokud kapalina přijde do kontaktu s očima, vyhledejte lékařskou pomoc.
- Kapalina vytečená z baterie způsobit podráždění nebo popálení.

### ÚDRŽBA

- Váš elektricky poháněný nástroj smí opravovat pouze kvalifikovaný opravárenský pracovník a musí používat pouze shodné náhradní díly. Toto zajišťuje udržování bezpečnosti elektricky poháněného nástroje.

#### ⚠ VAROVÁNÍ

Nikdy nepoužívejte sekací náčiní ani nástavce, které nejsou společností Ryobi v této příručce uvedeny. Týká se to také použití kovových otáčivých řetězů a mulčovacích čepelí. Tyto předměty se během použití mohou zlomit a vystavit uživatele či přihlížející riziku závažného poranění.

#### ⚠ VAROVÁNÍ

Prohlídka po pádu či jiných úderech: Výrobek řádně prohlédněte a zjistěte vady či poškození. Jakýkoliv poškozený díl je nutné správně opravit nebo nechat vyměnit v autorizovaném servisním středisku.

### BEZPEČNOSTNÍ VAROVÁNÍ K STRUNOVÉ SEKAČCE

- Místní předpisy mohou omezovat použití výrobku. Ověřte si u svého orgánu místní správy toto nařízení.
- Nenechte děti nebo osoby neseznámené s těmito pokyny pracovat s výrobkem.
- Používejte ve výrobek dne nebo v dobrém umělém osvětlení.
- Nepoužívejte na mokrou trávu.
- Nechodte pospět, když výrobek používáte.
- Udržujte bezpečné postavení a rovnováhu. Nepřeceňujte se. Přeceňování může způsobit ztrátu rovnováhy. Vždy na svazích zabezpečte své pevné postavení. Chodte, nikdy neběhejte.
- Zařízení nepoužívejte, hrozí-li nebezpečí blesku.
- Nevystavujte tento přístroj dešti nebo vlhkým podmínkám. Voda vnikající do zařízení zvyšuje nebezpečí elektrického úrazu.

- Všechny přihlížející, zvláště děti a zvířata udržujte 15 m mimo pracovní oblasti. Zastavte výrobek, pokud někdo vstoupí do pracovního prostoru výrobku.
- Používejte sekací doplněk pod úrovní pasu.
- Nikdy nepoužívejte výrobek s poškozenými ochrannými kryty nebo bez správně nainstalovaných krytů.
- Nikdy neměňte za kovovou sekací šňůru.
- Mějte ruce i nohy vždy mimo oblast sekání, obzvláště, když zapínáte motor.
- Pozor, žací prvky rotují i po vypnutí motoru.
- Vyhýbejte se při sekání odmršťování předmětů. Odstraňte z pracovní oblasti předměty jako malé kameny, štěrk a další cizí předměty před započetím práce. Do žacího nástroje se mohou namotat dráty nebo struna.
- Přístroj vypněte a odpojte od napájení v následujících situacích:
  - servis
  - ponechání výrobku bez dozoru
  - čištění výrobku nebo odstranění ucpávek
  - výměna příslušenství
  - kontrola případného poškození po nárazu do předmětu
  - kontrola případného poškození, pokud začne výrobek nezvykle vibrovat
  - provádění údržby
  - sejmutí čepele
  - Nasazení čepele
- Malý nůž upevněný na sekačce trávy je navržen pro oříznutí nově natažené struny na správnou délku pro bezpečný a optimální výkon. Je velmi ostrý, nedotýkejte se, zejména, když čistíte nástroj.
- Vždy zajistěte, aby ventilační otvory nebyly ničím zataraseny.
- Zkontrolujte, zda je sekací doplněk řádně nainstalován a bezpečně upevněn.
- Ujistěte se, že jsou všechny ochranné kryty, vodící plechy a rukojeti správně a bezpečně nasazeny.
- Výrobek žádným způsobem neupravujte. Akumulátor se zahřívá pouze při dlouhodobém používání nářadí.
- Používejte pouze náhradní žací strunu od výrobce. Nepoužívejte žádné jiné sekací nástavce.

### BEZPEČNOSTNÍ POKYNY KE KŘOVINOŘEZU

- Kromě výše uvedených zásad platí tyto další pokyny při používání produktu v režimu křovinořezu.
- Při nasazování nebo snímání čepelí používejte odolné rukavice, protože čepele mají ostré hrany.
- Nezkoušejte se dotýkat nebo zastavovat nůž, když se otáčí.
- Pohybující se čepel může způsobit závažné zranění. Oběma rukama držte produkt řádně pod kontrolou, dokud se čepel zcela nezastaví.

- Vyměňujte každý poškozený nůž. Vždy se ujistěte, že je nůž řádně nainstalován a bezpečně připevněn před každým použitím.
- Používejte pouze náhradní kotouč Tri-Arc od výrobce. Nepoužívejte žádné jiné sekací nástavce.
- Nikdy neřezejte materiál o průměru větším jak 1.25 cm (0.5 in.).
- Křovinořez je vybaven strojem. Popruhy řádně seřídte tak, aby pomáhaly rozdělovat váhu stroje a zavěšujte na pravou ruku.
- Vyhleďte si jak obsluhovat rychlospojku a naučte se ji používat před první obsluhou nástroje. Její správné používání může zabránit v nouzi vážným poraněním. Nikdy nenoste doplňující oděv přes popruhy nebo jinak neomezujte přístup k rychlospojce.
- Před skladováním nebo přepravováním výrobku vždy na nůž umísťujte chránič nože. Před používáním nástroje vždy chránič nože sundejte. Pokud jej nesundáte, může chránič vylétnout jako projektil při spuštění přístroje.
- Je třeba být opatrný, když používáte nůž s tímto zařízením. Vyskočení nože je reakce, která může nastat, když rotující nůž přijde do kontaktu s něčím, co nelze přefezat. Tento kontakt může způsobit, že se nůž okamžitě zastaví a náhle nástroj „vyskočí“ od objektu, který byl zasažen. Tato reakce může být tak prudká, že obsluhující může ztratit kontrolu nad přístrojem. Odmrštění nože může nastat bez varování, pokud se nůž zasekne, zamotá do trávy nebo zahákne. Nejpravděpodobněji to může nastat v oblastech, kde je obtížné prohlednout materiál k sečení.
- Pro jednoduché a bezpečné sečení provádějte sečení plevele zprava do leva. V případě kontaktu s neočekávaným předmětem nebo dřevěným kmenem by toto mohlo snížit zpětnou reakci kotouče. Pro ovládnutí výrobku jsou zapotřebí obě ruce.

## TRANSPORT A SKLADOVÁNÍ

- Před skladováním a transportem nechejte výrobek vždy zastavit a vychladnout.
- Odstraňte z výrobku všechny cizí materiál. Je-li namontována sečná čepel, přikryjte ji krytkou na čepel.
- Před uskladněním vždy zařízení odpojte od sítě a kabel sviňte. Ukládejte v chladných, suchých a dobře větraných prostorech, které nejsou přístupné dětem. Nářadí neuskladňujte v blízkosti žíravých látek, jako například v blízkosti zahrádkářských nebo zahradnických chemických přípravků nebo soli na zimní sypání komunikací. Neskladujte mimo budovu.
- Při transportu výrobku zajistěte proti pohybum nebo pádu, abyste zabránili poranění osob nebo poškození výrobku.

## ÚDRŽBA

### ⚠ VAROVÁNÍ

Používejte pouze originální příslušenství, doplňky a náhradní díly výrobce. Zanedbání může zapříčinit možné poranění, slabý výkon a může dojít ke ztrátě záruky.

### ⚠ VAROVÁNÍ

Údržba vyžaduje extrémní péči a znalosti a měla by být prováděna pouze kvalifikovaným servisním technikem. Pro údržbu nebo servis doporučujeme výrobek vrátit do nejbližšího pověřeného opravárenského střediska. Pokud opravujete, používejte pouze stejné náhradní díly.

- Před údržbou nebo čištěním výrobek vypněte a vyjměte baterii.
- Můžete provádět v návodu k obsluze uvedené opravy a seřízení. Další opravy se smí provádět pouze u pověřených servisních prodejců.
- Při výměně struny použijte pouze monofilní strunu o průměru dle tabulky technických údajů v návodu.
- Po natažení nové žací struny vždy výrobek vraťte do normální provozní polohy, než jej znovu použijete.
- Po každém použití seřete nástroj měkkým a suchým hadříkem. Jakýkoliv poškozený díl je nutné správně opravit nebo nechat vyměnit v autorizovaném servisním středisku.
- Zkontrolujte všechny šrouby, matice v častých intervalech na řádné utažení, aby se zajistilo, že výrobek bude pracovat v bezpečných pracovních podmínkách.

## ZBYTKOVÁ RIZIKA

Dokonce, i když se výrobek provozuje jak je předepsáno, je stále nemožné zcela eliminovat veškeré zbytkové rizikové faktory. Následující nebezpečí mohou nastat při používání; vyhybte se:

- Poranění způsobené vibracemi.  
Držte výrobek za rukojeť určené k držení a práci provádějte po omezenou dobu.
- Poškození sluchu způsobené expozicí hluku.  
Noste ochranu sluchu a omezte vystavení.
- Zranění způsobená odletujícími úlomky.  
Vždy noste adekvátní ochranu zraku.

Kontakt s feznými prostředky. Zajistěte umístění krytů kotoučů, pokud výrobek není v provozu. Ruce a nohy udržujte celou dobu mimo kotouče.

Při používání křovinořezu může docházet ke zpětným rázům. Držte produkt řádně pod kontrolou oběma rukama za vyznačené rukojeti. Přečtěte si a postupujte podle pokynů v této příručce, abyste omezili riziko zpětných rázů.

Riziko padajících předmětů: Během likvidace křovin



noste ochrannou helmu, pokud zde hrozí nebezpečí pádu předmětů.

### SNÍŽENÍ RIZIKA

Bylo zjištěno, že vibrace z ručních pracovních nástrojů mohou u některých osob přispívat ke stavu tzv. Raynaud's Syndrome (Raynaudovu syndromu). Mezi jeho příznaky patří brnění, necitlivost a zblednutí prstů, patrné obvykle po pobytu v chladu. Vědci se domnívají, že k rozvinutí těchto příznaků přispívají dědičné faktory, pobyt v chladu a vlhku, strava, kouření a pracovní návyky. Uživatel může omezit případné působení vibrací použitím vhodných opatření:

- Za chladného počasí se teple oblečte. Při práci s výrobkem si navlékněte rukavice, abyste udrželi ruce a zápěstí v teple. Bylo zjištěno, že chladné počasí je hlavním faktorem přispívajícím k Raynaud's Syndrome (Raynaudovu syndromu).
- Během práce si v pravidelných intervalech zacvičte, abyste zvýšili krevní oběh.
- Zařazujte časté pracovní přestávky. Omezte dobu práce za den.

Jakmile pocítíte některý z výše uvedených příznaků tohoto syndromu, okamžitě přerušete práci a vyhledejte lékaře.

### VAROVÁNÍ

Poranění mohou být způsobena, či zhoršena, prodlouženým používáním nástroje. Když používáte jakýkoliv nástroj delší dobu, dělejte pravidelné přestávky.

### POZNEJTE SVŮJ NÁSTROJ

Viz strana 154.

1. Horní násada
2. Řídicíková rukojeť
3. Spínač ZAPNUTO/VYPNUTO
4. Spoušť
5. Hřídelová spojka
6. Spodní násada
7. Kryt proti trávě
8. Řezací nůž struny
9. Žací struna
10. Nárazová hlava
11. Kryt cívky
12. Cívka
13. Oko
14. Samovypínací mechanismus
15. Spoušť regulátoru rychlosti
16. Přední rukojeť
17. Kryt lišty
18. Nůž Tri-Arc
19. Chránič nože
20. Baterie
21. Tlačítko západky akumulátoru
22. Kabel nabíječky
23. Nabíječka

### SYMBOLY NA VÝROBKU



Bezpečnostní výstraha



Řádně si návod přečtěte, porozumějte veškerým pokynům a dodržujte všechny bezpečnostní pokyny a bezpečnostní varování.



Používejte ochranu zraku, hlavy a sluchu.



Noste neklouzavou bezpečnostní obuv, když používáte tento výrobek.



Navlékněte si pevné neklouzavé rukavice.



Nevystavujte dešti nebo nepoužívejte ve vlhkých podmínkách.



Tento výrobek není vhodný pro používání s ozubenými kotouči rotačních pil.



Směr otáčení a nejvyšší počet otáček hřídele pro sekací nástavec.



Táhněte: Rychlouvolňovací pásek



Dávejte pozor na odmrštěné nebo odletující předměty. Přihlížející udržujte v bezpečné vzdálenosti od výrobku.



Dávejte pozor na odmrštěné nebo odletující předměty. Všechny přihlížející, zvláště děti a zvířata udržujte ve vzdálenosti alespoň 15 m od pracovní oblasti.



Udržujte ruce mimo odřezávací nůž.



Dejte pozor na rázy od čepele.



Nůž Tri-Arc je vhodný pro použití s tímto výrobkem a hodí se k sekání měkké plevele a popínávacích rostlin.



Odpad elektrických výrobků se nesmí likvidovat v domovním odpadu. Recyklujte prosím na sběrných místech. Ptejte se u místních úřadů nebo prodejce na postup při recyklaci.



Toto nářadí je v souladu se všemi normami a předpisy platnými v zemi EU, ve které bylo zakoupeno.



Euroasijská značka shody



Ukrajinská značka shody



Garantovaná hladina akustického výkonu pro křovinořez



Garantovaná hladina akustického výkonu pro vyžinač

#### SYMBOLY V NÁVODU



Zapojení do elektrické zásuvky



Odpojení od elektrické sítě



Díly nebo příslušenství jsou v prodeji samostatně



Poznámka

Následující signální slova a významy jsou vhodné pro vysvětlení úrovně nebezpečí spojených s tímto výrobkem.

#### **⚠ NEBEZPEČÍ**

Označuje bezprostředně rizikovou situaci, které je třeba předejít, jinak bude jejím následkem smrt nebo vážné zranění.

#### **⚠ VAROVÁNÍ**

Označuje možnou rizikovou situaci, které je třeba předejít, jinak jejím následkem může být smrt nebo vážné zranění.

#### **⚠ VAROVÁNÍ**

Označuje možnou rizikovou situaci, které je třeba předejít, jinak jejím následkem může být smrt nebo vážné zranění.

#### **VAROVÁNÍ**

Bez symbolu bezpečnostní výstrahy

Určuje situaci, která může mít za následek vážné poškození.

Az akkumulátoros bozótvágó és fűszegélynyíró tervezésekor a biztonság, a teljesítmény és a megbízhatóság voltak a legfontosabb szempontok.

### RENDELTESSZERŰ HASZNÁLAT

A damilos fűkaszázt/bozótvágót kizárólag olyan felnőttek használhatják, akik elolvasták és megértették a jelen kézikönyv utasításait és figyelmeztetéseit, és tetteikért felelősséget tudnak vállalni. A termék csak kültéri, jól szellőztetett területen való használatra készült. Biztonsági okokból a terméket kétkézes működtetéssel megfelelő ellenőrzés alatt kell tartani.

A damilos kaszálófejjel (és megfelelő vezetősínnel) felszerelt termék rendeltetése a nagy fű, gyomnövények és hasonló növényzet vágása talaj- vagy talaj közeli szinten. A Tri-Arc™ vágótárcsa (és egy megfelelő védőelem) felszerelésével bokrokat is képes levágni.

A vágás síkjának nagyjából párhuzamosnak kell lennie a talajfelszínnel. A termék nem használható sövények, bokrok vagy más olyan növény vágására vagy nyesésére, ahol a vágás síkja nem párhuzamos a talajfelszínnel.

### ▲ FIGYELMEZTETÉS

A termék használatakor a biztonsági szabályokat be kell tartani. A saját és mások biztonsága érdekében kérjük, olvassa el ezt az útmutatót a termék használata előtt. Tartsa meg a kézikönyvet, hátha a későbbiekben szüksége lehet rá.

### ▲ FIGYELMEZTETÉS

Ezt a terméket nem használhatják gyerekek és korlátozott fizikai, érzékelési vagy mentális képességekkel rendelkező személyek. A gyerekekre oda kell figyelni, nehogy játsszanak a készülékkel.

### GYAKORLÁS

- Ne hagyja, hogy gyerekek vagy a termék használatát nem ismerő felnőttek használják a terméket.
- Figyelmesen olvassa el az utasításokat. Legyen tisztában a termék kezelőszerveivel és a helyes használatával.
- Vágás közben a munkaterületlől tartsa távol a nézelődőket, gyerekeket és állatokat. Állítsa le a terméket, ha bárki belép a területre.
- Soha ne működtesse a terméket, ha fáradt, beteg, alkoholt, tudatmódosítók illetve gyógyszerek hatása alatt áll.
- A terméket csak fű és vékony gaz vágására használja. Semmilyen más célra ne használja.
- Jegyezze meg, hogy a kezelő vagy a felhasználó felelős a más embereknek vagy tulajdonuknak okozott veszélyekért vagy balesetekért.

### ELŐKÉSZÜLET

- Viseljen teljes szem- és fülvédőt a termék használata közben. Kötelező a fejtűvédő viselete, ha olyan területen dolgozik, ahol tárgyak hullhatnak le.
- Ha hosszút meggátolhatja a kezelőt abban, hogy meghallja a figyelmeztető hangokat.
- Figyeljen különösen oda a potenciális veszélyekre a munkaterület körül és a munkaterületen.
- Viseljen vastag anyagból készült hosszú nadrágot, csizmát és kesztyűt. Ne vegyen fel laza ruhát, rövid nadrágot, semmilyen ékszert, illetve ne legyen meztelen.
- Ha hosszú a haja, azt a vállvonal felett rögzítse, nehogy beakadjon valamilyen mozgó alkatrészbe.
- Használat előtt és amennyiben a gépet bármilyen behatás éri, ellenőrizze, hogy az alkatrészek nem sérültek. A hibás kapcsolók vagy bármilyen más sérült vagy elhasznált alkatrészt egy hivatalos szervizközpontban megfelelően meg kell javíttatni vagy ki kell cseréltetni.
- Bizonyosodjon meg róla, hogy a vágószerelék helyesen lett felszerelve és biztonságosan rögzítve van.
- Soha ne működtesse a terméket, amíg nincs minden védőburkolat, terelőlemez és fogantyú megfelelően felszerelve és rögzítve.
- Vizsgálja át a környezetet, ahol dolgozik. A munkaterületet tisztítsa meg a drótdaraboktól, fadaraboktól, kövektől és más hulladéktól, melyek a vágófejbe ütközve kivetődhetnek.

### ÁLTALÁNOS BIZTONSÁGI FIGYELMEZTETÉSEK

#### ▲ FIGYELMEZTETÉS

**Olvassa el az összes biztonsági figyelmeztetést és útmutatót.** A figyelmeztetések és utasítások be nem tartása elektromos áramütést, tüzet és/vagy súlyos sérülést eredményezhet.

Őrizze meg ezeket a figyelmeztetéseket és utasításokat a későbbi tájékozódásra is. A figyelmeztetésekben a „szerszámgép” kifejezés az elektromos hálózatról (kábelrel) működtetett vagy akkumulátorról (kábel nélkül) működtetett gépet jelenti.

### MUNKATERÜLET

- **A munkaterületet tartsa tisztán és jól megvilágítva.** A rendetlen vagy sötét munkaterületek balesetekhez vezethetnek.
- **Az elektromos szerszámgépeket ne működtesse robbanásveszélyes környezetben, mint például robbanásveszélyes folyadékok, gázok vagy porok jelenlétében.** Az elektromos gépekben szikrák keletkeznek, amik begyűjthetik a port vagy a gőzöket.

- Az elektromos szerszám gép használatakor a gyerekeket és a kívülrállókat tartsa távol. A figyelem elterelődése az irányítás elvesztését okozhatja.

### ELEKTROMOS BIZTONSÁG

- A szerszám gép dugaszának illeszkednie kell az aljzathoz. Semmilyen módon ne módosítsa a dugaszt. A földelt elektromos gépekhez ne használjon adapter dugaszt. A nem módosított és illeszkedő dugasz csökkenti az áramütés kockázatát.
- Kerülje az érintkezést földelt felületekkel, mint például csövekkel, radiátorokkal és hűtőkkel. Megnöveli az áramütés kockázatát, ha a teste földeltté válik.
- Ne tegye ki a terméket esőnek vagy nedves környezet hatásának. A szerszám gépekbe kerülő víz növeli az áramütés kockázatát.
- Ne rongálja meg a kábelt. A szerszám gép kábelét soha ne használja a szerszám hordozására, húzására vagy kihúzására. A kábelt hőtől, olajtól, éles tárgyaktól vagy mozgó alkatrészekről tartsa távol. A sérült vagy beakadt kábelek növelik az áramütés kockázatát.
- Szerszám gépeknek a szabadban való működtetésekor kültéri használatra is megfelelő hosszabbító kábelt használjon. Kültéri használatra megfelelő hosszabbító kábel csökkenti az áramütés kockázatát.
- Ha a szerszám gép használata nedves környezetben elkerülhetetlen, használjon áram-védőkacsolót (RCD). Az RCD használata csökkenti az áramütés kockázatát.

### SZEMÉLYI BIZTONSÁG

- Elektromos szerszám gép működtetésekor legyen mindig éber, figyeljen arra, amit csinál, és használja a józan esztét. Ne használja a szerszám gépet, ha fáradt vagy alkohol, gyógyszer illetve más tudatmódosító szerek hatása alatt áll. A gép használata közben már egyetlen figyelmen kívül hagyás is súlyos személyi sérüléshez vezethet.
- Használjon személyi védelmi eszközöket. Mindig viseljen védőszemüveget. A védelmi felszerelések, mint például a pormaszk, a csúszámentes biztonsági lábbelik, a védősisak vagy a fűlvédő megfelelő használata csökkenti a személyi sérüléseket.
- Kerülje el a véletlen bekapcsolást. A szerszám szállítása vagy felemelése, az áramellátás és/vagy akkumulátor csatlakoztatása előtt ellenőrizze, hogy a kapcsoló kikapcsolt állásban van. Szerszám gépek szállítása a kapcsolón tartott ujjal vagy bekapcsolt szerszám gépek áram alá helyezése balesetekhez vezet.
- A szerszám gépről bekapcsolás előtt távolítsa el minden beállító kulcsot és csavarkulcsot. Egy a szerszám gép forgó alkatrészén maradt beállító kulcs vagy csavarkulcs személyi sérülést eredményezhet.

- Ne hajoljon ki túlságosan. Mindig tartson megfelelő testtartást és egyensúlyt. Ez a szerszám gép jobb irányítását teszi lehetővé váratlan szituációkban.
- Viseljen megfelelő ruházatot. Ne vegyen fel laza ruhát vagy ékszereket. A haját, a ruháit és a kesztyűjét tartsa távol a forgó alkatrészekről. A laza ruházat, ékszerek vagy a hosszú haj beakadhatnak a mozgó alkatrészekbe.
- Ha a gép el van látva porkivezető vagy -gyűjtő berendezésekhez való csatlakozási lehetőséggel, akkor ügyeljen rá, hogy ezeket csatlakoztassák és megfelelően használják. A porfogó használata csökkentheti a porral kapcsolatos veszélyeket.

### A SZERSZÁMGÉP HASZNÁLATA ÉS KARBANTARTÁSA

- Ne erőltesse a terméket. A feladathoz a megfelelő szerszám gépet használja. A megfelelő szerszám gép jobb teljesítménnyel és sokkal biztonságosabban fog dolgozni olyan körülmények között, amilyenekre azt tervezték.
- Ne használja a szerszám gépet, ha a kapcsoló nem kapcsol be és ki. Bármilyen szerszám gép veszélyes, amit a kapcsolóval nem lehet irányítani, ezért azt meg kell javítani.
- Bármilyen beállítás, tartozékcsere elvégzése vagy a szerszám gép tárolása előtt húzza ki a szerszám gépet a hálózatról és/vagy vegye ki az akkumulátort a szerszám gépből. Az ilyen megelőző biztonsági óvintézkedések csökkentik a szerszám gép véletlen bekapcsolódásának kockázatát.
- A használaton kívüli gépet gyerekek számára nem elérhető helyen tárolja, és ne hagyja, hogy a szerszám gépet vagy a kézikönyvet nem ismerő személyek használják a szerszám gépet. Gyakorlatlan felhasználók kezében a szerszám gépek veszélyesek.
- Tartsa megfelelő állapotban a szerszám gépeket. Ellenőrizze a mozgó alkatrészek akadását vagy helytelen beállítását, az alkatrészek törését és minden más körülményt, ami hatással lehet a szerszám gép működésére. Ha sérült, a szerszám gépet használat előtt meg kell javítani. Sok balesetet a rosszul karbantartott szerszám gépek okoznak.
- A vágószerszámok legyenek élesek és tiszták. A megfelelően karbantartott, éles vágóélű vágószerszámok kevésbé akadnak be és könnyebben irányíthatók.
- A szerszám gépet, a tartozékokat és a biteket stb. ezen utasításban leírtaknak megfelelően használja, figyelembe véve a munkakörülményeket és az elvégzendő feladatot. A szerszám gép rendeltetésétől eltérő műveletekre való használata veszélyes helyzeteket eredményezhet.

## AKKUMULÁTOROS SZERSZÁMGÉP HASZNÁLATA ÉS KARBANTARTÁSA

- Csak a gyártó által megadott töltővel töltsen az akkumulátorokat. Egy adott akkumulátortípushoz való töltő egy másik típusú akkumulátorral való használata tűzveszélyes lehet.
- A szerszámokat csak a hozzájuk való akkumulátorokkal üzemeltesse. Más akkumulátorok használata tűzveszélyes lehet, és sérüléseket okozhat.
- Az akkumulátort használaton kívül tartsa távol más fém tárgyaktól, úgymint gemkapcsoktól, érméktől, kulcsoktól, szögektől, csavaroktól vagy más kisméretű fém tárgyaktól, amelyek rövidre zárhatják a két érintkezőt. Az akkumulátor érintkezőinek rövidre zárása tüzet vagy égéseket okozhat.
- Nem megfelelő körülmények esetén folyadék távozhat az akkumulátorból, kerülje az azzal való érintkezést. Ha mégis érintkezik vele, öblítse le vízzel. Ha a folyadék szembe kerül, forduljon orvoshoz.
- Az akkumulátorból kifolyt folyadék irritációt vagy égéseket okozhat.

## KARBANTARTÁS

- A szerszámgépet csak szakképzett szervizszakemberrel szervizeltesse, csak azonos cserealkatrészeket használva. Ez biztosítja, hogy a szerszámgép használata továbbra is biztonságos legyen.

### ▲ FIGYELMEZTETÉS

Csak a Ryobi által meghatározott, ezen kézikönyvben szereplő vágóeszközöket és tartozékokat használjon. Ez vonatkozik a több darabból álló csuklós láncokra és a csapópengékre is. Ezek az elemek a használat során elszakadhatnak és ilyen esetben nagyon súlyos sérülést okozhatnak a készülék kezelőjének vagy a közelben tartózkodóknak.

### ▲ FIGYELMEZTETÉS

Leesés vagy más ütés utáni átvizsgálás: Alaposan vizsgálja át a terméket, és keresse meg az esetleges behatásokat vagy sérüléseket. A sérült alkatrészeket egy hivatalos szervizközpontban kell megjavíttatni vagy kicseréltetni.

## SZEGÉLYVÁGÓ BIZTONSÁGI FIGYELMEZTETÉSEK

- Egyes régiókban olyan előírások érvényesek, amelyek korlátozzák a termék használatát. További információért forduljon a helyi önkormányzatához.
- Ne hagyja, hogy gyerekek vagy a termék használatát nem ismerő felnőttek használják a terméket.
- Nappal vagy jó mesterséges megvilágításnál használja a terméket.
- Kerülje a nedves fűvön való használatot.
- Ne lépjen hátrafelé a termék használata közben.
- Stabilan álljon és vegyen fel megfelelő egyensúlyt. Ne hajoljon ki túlságosan. A túlzott kihajlás egyensúlyvesztést eredményezhet. Mindig biztosan támaszkodjon meg a lejtőkön. Gyalogoljon, ne fusson.
- Ne használja a terméket, ha villámlás veszélye áll fenn.
- Ne tegye ki a terméket esőnek vagy nedves környezet hatásának. A készülékbe bejutó víz növeli az áramütés kockázatát.
- A nézelődőket, gyerekeket és a háziállatokat tartsa 15 m távolságban a munkaterülettől. Állítsa le a terméket, ha bárki belép a területre.
- A vágószerelék tartsa derékszint alatt.
- Ne működtesse a terméket sérült védőburkolattal vagy ha a védőburkolatok nincsenek a helyükön.
- Ne szereljen fel fém csereszálát.
- A kezét és lábát minden esetben, de különösen a motor bekapcsolásakor, tartsa távol a vágóeszközöktől.
- Vigyázzon, a vágószemek a motor leállítása után tovább forognak.
- Ügyeljen a vágóeszköz által kivetett tárgyakra. A használat megkezdése előtt tisztítsa le a hulladékot, például a kisebb köveket, kavicsot és más idegen tárgyakat a munkaterületről. A drótok és a vágószál beakadhatnak a vágóeszközbe.
- Kapcsolja ki és húzza ki a gépet az elektromos hálózatból, mielőtt:
  - szervizelés
  - a termék felügyelet nélkül hagyása
  - a termék tisztítása vagy eltömődés megszüntetése
  - tartozékok cseréje
  - egy tárgy eltalálása után vizsgálja meg, hogy nincsenek-e rajta sérülések
  - Ellenőrizze, hogy a termék nem sérült-e meg, ha a vágó túlzottan vibrálni kezd
  - karbantartás végrehajtása
  - tárcsa eltávolítása
  - tárcsa felszerelése
- A fű védőburkolatra felszerelt kisméretű penge a kitolt szálnak a biztonságos és optimális működéshez szükséges méretűre vágására szolgál. Nagyon éles, úgyhogy ne érjen hozzá, különösen a termék tisztításakor.
- Mindig ügyeljen rá, hogy semmi ne maradjon a szellőzőnyílásokban.
- Bizonyosodjon meg róla, hogy a vágószerelék helyesen lett felszerelve és biztonságosan rögzítve van.
- Ügyeljen rá, hogy minden a védőburkolat, terelőlemez és fogantyú megfelelően fel legyen szerelve és rögzítve.
- Ne alakítsa át a terméket semmilyen módon. Az akkumulátor csak akkor melegszik fel, ha hosszabb ideig használja a szerszámot.

- Csere esetén csak a gyártó által előírt csereszálát használja. Ne használjon semmilyen más vágó szerelvényt.

### BOZÓTVÁGÓ BIZTONSÁGI SZABÁLYAI

- A fenti szabályokon kívül ezek a további utasítások helyénvalók, mikor a terméket bozótívágó üzemmódban használja.
- A vágótárcsák fel- vagy leszerelésekor erős munkakesztyűt használjon, mert hegyesek az élei.
- Ne próbálja forgás közben megérinteni vagy megállítani a kést.
- A mozgó vágótárcsa súlyos sérüléseket okozhat. A terméket két kézzel tartsa megfelelő ellenőrzés alatt, amíg a vágótárcsa forgása teljesen le nem állt.
- A sérült késeket cserélje ki. Használat előtt mindig ellenőrizze, hogy a vágókés megfelelően fel van szerelve és erősen rögzítve van.
- Csak a gyártó Tri-Arc cserekését használja. Ne használjon semmilyen más vágó szerelvényt.
- Soha ne vágjon 1.25 cm (0.5 in.) -nél vastagabb anyagot.
- Bozótívágója hevederrel rendelkezik. Pontosán állítsa be a hevedert, hogy kényelmesen segítse a gép súlyának megtámasztását, és akassza a jobb oldalára.
- Keresse meg a gyorskioldó mechanizmust, és gyakorolja be a használatát, mielőtt elkezdene használni a gépet. A helyes használat megakadályozhatja a súlyos sérüléseket vészhelyzetben. Ne viseljen további ruházatot a hevederen felül, és ne korlátozza más módon a gyorskioldó mechanizmushoz való hozzáférést.
- A gép tárolásakor vagy szállításkor helyezze fel a késvédő burkolatot a késtre. Mindig távolítsa el a késvédő burkolatot a szerszám használata előtt. Ha nincs eltávolítva a késvédő burkolat, akkor kivetődhet, amint a kés elkezd forogni.
- Figyeljen különösen oda, amikor a kést a termékkel használja. A kés kilökődése egy reakció, ami akkor történhet, amikor a forgó kés olyan tárggyal ütközik, amelyet nem lehet elvágni. Az érintkezés a vágókés pillanatnyi megállását okozhatja, és hirtelen „előki” a gépet az eltalált tárgytól. A reakció elég erős lehet ahhoz, hogy a kezelő elveszítse a gép fölötti uralmat. A vágókés hirtelen kilökődését okozhatja, ha a kés megakad, belassul vagy megszorul. Ez legtöbbször olyan területeken történik, ahol a vágni kívánt anyag nehezen látható.
- A könnyű és biztonságos vágás érdekében, jobbról balra mozogva közelítse meg a vágandó gázt. Abban az esetben, ha hirtelen egy tárggyal vagy fadarabbal találkozik, ezzel minimalizálhatja a kés kilökődésének reakcióját. Mindig mindkét kezét használja a termék irányításához.

### SZÁLLÍTÁS ÉS TÁROLÁS

- Szállítás és tárolás előtt állítsa le és hagyja lehűlni a terméket.
- Minden idegen anyagtól tisztítsa meg a terméket. Ha a vágótárcsa fel van szerelve, védje azt tárcsavédő kupakkal.
- A tároláshoz mindig válassza le a hálózatról és tekerje fel a kábelt. Hűvös, száraz és jól szellőztetett, gyerekektől elzárt helyiségben tárolja. Ne tárolja olyan oxidálószerrel közelében, mint pl. kerti munkáknál használatos vegyszerek vagy jégmentesítő sók. Ne tárolja a szabadban.
- Szállításkor rögzítse a terméket elmozdulás és leesés ellen, hogy elkerülje a sérüléseket és a termék sérülését.

### KARBANTARTÁS

#### ▲ FIGYELMEZTETÉS

Csak a gyártó eredeti cserealkatrészeit, tartozékait és szereléseit használja. Ennek figyelmen kívül hagyása gyenge motorteljesítményt, esetleges sérülést és a jótállás elvesztését okozhatja.

#### ▲ FIGYELMEZTETÉS

szervizelés különös figyelmet és hozzáértést igényel, és csak szakképzett szerelő végezheti el. Javasoljuk, hogy a szervizelésekor a terméket vigye a legközelebbi hivatalos szervizközpontba javítás céljából. Szervizelésekor csak azonos cserealkatrészeket használjon.

- Bármilyen karbantartási vagy tisztítási munka végrehajtása előtt kapcsolja ki a készüléket és vegye ki az akkucsomagot.
- A használati útmutatóban leírt beállításokat és javításokat Ön is elvégezheti. Az egyéb javításokhoz vegye fel a kapcsolatot a hivatalos szervizzel.
- Csere vágószájként csak a jelen kézikönyvben a műszaki adatoknál megadott átmérőjű nejlón vágószálát használjon.
- Új vágószál kihúzását követően a beindítás előtt mindig állítsa vissza a terméket a normális működési állásba.
- Minden egyes használat után egy puha, száraz ruhával tisztítsa meg a terméket. A sérült alkatrészeket egy hivatalos szervizközpontban kell megjavíttatni vagy kicseréltetni.
- Gyakori időközönként ellenőrizze a csavaranyák, csavarok és fejescsavarok megfelelő meghúzását, hogy a termék biztonságos üzemi állapotban legyen.

**FENNMARADÓ KOCKÁZAT**

Még a termék rendeltetésszerű használata esetén sem lehet teljesen kiküszöbölni minden kockázati tényezőt. A gép használata során a következő veszélyek merülhetnek fel, és a kezelőnek különösen oda kell figyelnie az alábbiak elkerülésére:

- A vibráció sérüléseket okozhat.

A terméket az arra szolgáló fogantyúknál tartsa, és korlátozza a munkaidőt és a vibrációnak való kitettséget.

- A zajnak való kitettség halláskárosodást okoz.

Viseljen hallásvédőt és korlátozza a zajnak való kitettséget.

- A gép által kidobott hulladék okozta sérülés

Mindig viseljen szemvédőt.

A vágóeszközökkel való érintkezés. Ha nem használja a terméket, ügyeljen rá, hogy a késvédő fel legyen szerelve. A kezét és a lábát mindig tartsa távol a késektől.

A bozótívágó használatakor visszarúgás történhet. Biztosítsa a megfelelő ellenőrzést azáltal, hogy mindkét kezével megfogja a kijelölt fogantyúkat. Olvassa el és kövesse a jelen kézikönyvben lévő útmutatásokat, hogy segítsen csökkenteni a visszarúgás kockázatát.

Leeső tárgyak veszélye: Bozót vágása esetén viseljen fejevédőt, ha leeső tárgyak veszélye áll fenn.

**KOCKÁZATCSÖKKENTÉS**

Arról számoltak be, hogy a kéziszerszámok használata során fellépő vibráció bizonyos személyeknél hozzájárulhat az úgynevezett Raynaud-szindróma (Raynaud's Syndrome) nevű állapot kialakulásához. A tünetei lehetnek: az ujjak zsibbadása, elfehéredése, szúrások érzése, amelyek hidegnek kitéve gyakran felerősödnek. Az örökklődő tényezők, a hidegnek kitettség és verejtékezés, a diéta, a dohányzás és munka közben alkalmazott fogások valószínűleg mind hozzájárulhatnak ezen tünetek megjelenéséhez. A vibráció hatásainak csökkentése érdekében a kezelőnek be kell tartani az alábbi óvintézkedéseket:

- Hideg időben tartsa melegen a testét. A termék használatakor viseljen kesztyűt a kéz és a csukló melegen tartásához. Arról számoltak be, hogy a hideg időjárásnak fontos szerepe van a Raynaud-szindróma kialakulásában.
- Bizonyos időtartamú használat után mindig végezzen gyakorlatokat a vérkeringés javításához.
- Gyakran tartson munkaszünetet. Korlátozza a napi munkaidőt.

Ha ezen állapot bármelyik tünetét tapasztalja, azonnal hagyja abba a munkát, és tájékoztassa az orvosát a tünetekről.

**⚠ FIGYELMEZTETÉS**

Injuries may be caused, or aggravated, by prolonged use of a tool. Ha a gépet hosszú időn át kell használnia, tartson gyakran szünetet.

**ISMERJE MEG A TERMÉKET**

Lásd 154. oldal.

1. Felső tengely
2. Kormányfogantyú
3. BE/KI kapcsoló gomb
4. Kioldó
5. Tengelycsatlakozó
6. Alsó tengely
7. Fűterelő
8. Vágókés
9. Vágószál
10. Útközőfej
11. Orsófedél
12. Orsó
13. Kis nyílás
14. Indító retesz
15. Fordulatszám-szabályozós kioldó
16. Elülső fogantyú
17. Késvédő
18. Tri-Arc kés
19. Vágókés védőburkolata
20. Akkumulátor
21. Akkumulátor reteszelő gomb
22. Töltőkábel
23. Töltő

**SZIMBÓLUMOK A TERMÉKEN**

Biztonsági figyelmeztetés



A termék használata előtt olvassa el és értse meg a kezelési útmutatóban leírtakat, és tartsa be az összes figyelmeztető és biztonsági utasítást.



Viseljen szem-, fül- és fejevédőt.



A termék használata közben csúszásmentes biztonsági lábbelit viseljen.



Viseljen nem csúszós, nehéz igénybevételre tervezett kesztyűt.



Ne tegye ki esőnek, és ne használja nedves környezetben.



Ez a termék nem alkalmas a fogazott fűrész típusú vágókéssel való használatra.





A vágószerszék tengelyének forgási iránya és maximális fordulatszáma.



Húzza meg:  
Gyorskioldó fül



Figyeljen a kivetett vagy repülő tárgyakra. A nézelődőket a terméktől biztonságos távolságban tartsa.



Figyeljen a kivetett vagy repülő tárgyakra. Az összes nézelő, különösen a gyerekek és a háziállatok, legyenek legalább 15 m-es távolságra a használati területtől.



Tartsa a kezeit távol a vágókéstől.



A vágótárcsa visszalökődhet.



A Tri-Arc vágótárcsa használható ezzel a termékkel, és lágy szárú gyom- és kúszónövényekhez készült



A kiselejtezett elektromos termékeket nem szabad a háztartási hulladékkal együtt kidobni. Ezeket újra kell hasznosítani, ha van rá lehetőség. Az újrahasznosítással kapcsolatban érdeklődjön a helyi önkormányzatnál vagy a termék forgalmazójánál.



Ez a szerszám minden, a vásárlás európai uniós országában hatályos szabványnak megfelel.



Eurázsiai megfelelőségi jelzés



Ukrajnai megfelelőségi nyilatkozat



A bozótívágó garantált hangteljesítmény-szintje



A szegélyívágó garantált hangteljesítmény-szintje

#### A KÉZIKÖNYVBEN HASZNÁLT SZIMBÓLUMOK



Csatlakoztassa egy elektromos hálózati aljzathoz



Húzza ki az elektromos hálózati aljzathól



Külön értékesített alkatrészek és kiegészítők



Megjegyzés

A következő jelölőszavak és jelentések arra szolgálnak, hogy megmagyarázzák a termékkel kapcsolatos veszélyességi szinteket.

#### ⚠ VESZÉLY

Egy bekövetkező veszélyes helyzetet jelez, ami, ha nem előzik meg, halált vagy komoly sérülést eredményez.

#### ⚠ FIGYELMEZTETÉS

Egy potenciálisan bekövetkező veszélyes helyzetet jelez, amit, ha nem előznek meg, halált vagy komoly sérülést eredményezhet.

#### ⚠ FIGYELEMFELHÍVÁS

Egy potenciálisan veszélyes helyzetet jelez, ami, ha nem előzik meg, kisebb vagy mérsékelt sérülést eredményezhet.

#### FIGYELEMFELHÍVÁS

Biztonsági figyelmeztető szimbólum nélkül

Egy olyan helyzetet jelez, ami anyagi kárt eredményezhet.

Au fost acordate priorități maxime asupra siguranței, performanței și fiabilității în proiectarea aparatului dvs. de tăiat arboret și de tuns iarba.

### UTILIZARE PREVĂZUTĂ

Motocoasa pentru tuns iarba/tăiere arboret poate fi utilizată doar de persoane adulte care au citit și au înțeles instrucțiunile și avertismentele din acest manual și pot fi considerate responsabile pentru acțiunile proprii. Produsul este proiectat să fie folosit doar în mediu exterior și în zonă bine aerisită. Din motive de siguranță, produsul trebuie manevrat corespunzător, cu ambele mâini.

Echipamentul dotat cu cap tăietor cu fir (și cu dispozitivul de protecție aferent) este destinat tunderii ierbii lungi, buruienilor ierboase și altor plante similare, la nivelul solului. Atunci când este echipată cu lama Tri-Arc™ (și protecția corespunzătoare acesteia), motocoasa poate tăia și tufșuri.

Planul de tăiere trebuie să fie aproximativ paralel cu suprafața solului. Produsul nu trebuie utilizat pentru a tăia sau a tunde garduri vii, tufșuri sau altă vegetație în care planul de tăiere nu este paralel cu suprafața solului.

### ⚠️ AVERTISMENT

Atunci când utilizează produsul, normele de siguranță trebuie să fie respectate. Pentru siguranța dumneavoastră și a trecătorilor, vă rugăm să citiți aceste instrucțiuni înainte de utilizarea produsului. Vă rugăm să păstrați instrucțiunile într-un loc sigur pentru utilizare ulterioară.

### ⚠️ AVERTISMENT

Produsul nu este destinat a fi folosit de către copii sau persoane cu capacități fizice, mintale sau senzoriale reduse. Copiii trebuie supravegheați pentru a nu avea posibilitatea să se joace cu acest dispozitiv.

### INSTRUIRE

- Nu permiteți niciodată copiilor sau persoanelor care nu sunt familiarizate cu aceste instrucțiuni să utilizeze produsul.
- Citiți instrucțiunile cu atenție. Familiarizați-vă cu toate comenzile și folosirea corespunzătoare a produsului.
- Nu permiteți accesul trecătorilor, al copiilor și al animalelor de companie în zonă în timp ce tundeți. Oprțiți produsul dacă cineva intră în zonă.
- Nu utilizați niciodată produsul când sunteți obosit, bolnav sau sub influența alcoolului, a drogurilor sau a medicamentelor.
- Utilizați produsul numai pentru tăierea ierbii și buruienilor. Nu folosiți în alte scopuri.
- Rețineți că operatorul sau utilizatorul este responsabil pentru accidentele sau pericolele ce pot avea loc asupra altor persoane sau proprietății lor.

### PREGĂTIRE

- Purtați protecție completă a ochilor și urechilor în timpul operării produsului. Dacă în zona de lucru există riscul căderii de obiecte, trebuie purtată protecție a capului.
- Protecția pentru auz ar putea restricționa capacitatea operatorului de a auzi sunetele de avertizare.
- Acordați atenție specială potențialelor pericole din jurul sau din interiorul zonei de lucru.
- Purtați pantaloni lungi groși, cizme și mănuși. Nu purtați haine largi, pantaloni scurți, bijuterii de niciun fel sau să fiți desculți.
- Prindeți părul lung deasupra umerilor pentru a preveni prinderea lui de părțile în mișcare.
- Înainte de folosire și după fiecare impact, verificați să nu existe părți/piese deteriorate. Un întrerupător defect sau orice altă parte care e deteriorată sau uzată trebuie reparată corespunzător sau înlocuită la un atelier service autorizat.
- Asigurați-vă că accesoriul de tăiere este corect instalat și prins fix.
- Nu operați niciodată produsul fără a avea toate apărătorile, deflectoarele și mânerul corespunzător atașate și fixate.
- Aveți în vedere mediul în care lucrați. Păstrați zona de lucru liberă de cabluri, bețe, pietre și resturi care dacă sunt lovite de cuțit pot să fie aruncate.

### AVERTISMENTE GENERALE PRIVIND SIGURANȚA

### ⚠️ AVERTISMENT

**Citiți toate avertismentele și instrucțiunile de siguranță.** Nerespectarea acestor avertismente și instrucțiuni poate conduce la șocuri electrice, incendii și/ sau accidente grave.

Păstrați aceste avertismente și instrucțiuni, pentru a le putea consulta ulterior. Termenul de "unealtă electrică" folosit în avertismente se referă la uneltele electrice alimentate de la rețea (cu cablu) sau cu acumulator (fără cablu).

### MEDIUL DE LUCRU

- **Mențineți curată și bine iluminată zona de lucru.** Zonele dezordonate și întunecate prezintă pericol de accidente.
- **Nu operați cu unealta electrică în atmosfere explozive, precum în prezența lichidelor, gazelor sau a prafului inflamabil(e).** Uneltele electrice creează scântei care pot aprinde praful sau vaporii.
- **Țineți copiii și persoanele din jur la distanță în timpul operării unei unelte electrice.** Distragerea atenției vă poate face să pierdeți controlul.

## SIGURANȚĂ ELECTRICĂ

- **Ștecărele uneltelor electrice trebuie să se potrivească cu priza. Nu modificați niciodată ștecărul în nici un fel. Nu folosiți niciodată adaptoare de ștecăr cu uneltele electrice cu împământare.** Ștecărele nemodificate și prizele potrivite reduc riscul de electrocutare.
- **Evitați contactul corpului cu suprafețele conectate la împământare, precum țevi, radiatoare, reșouri, mașini de gătit și frigider.** Există un risc crescut de electrocutare când corpul dumneavoastră are contact cu împământarea.
- **Nu expuneți produsul la ploaie sau condiții de umiditate.** Apa care intră într-o unealtă electrică va crește riscul de electrocutare.
- **Nu forțați cablul. Nu trageți niciodată unealta electrică de cablul de alimentare pentru a o transporta, a o trage sau a scoate ștecărul din priză. Țineți cablul de alimentare departe de căldură, ulei, muchii ascuțite sau piese în mișcare.** Cablurile deteriorate sau încurcate cresc riscul de electrocutare.
- **Atunci când lucrați cu o unealtă electrică în aer liber, folosiți un prelungitor adecvat pentru utilizarea în aer liber.** Folosirea unui prelungitor adecvat pentru utilizarea în aer liber reduce riscul de electrocutare.
- **În cazul în care operarea unei unelte electrice într-o zonă umedă nu poate fi evitată, folosiți o alimentare protejată cu un dispozitiv de curent rezidual (RCD).** Utilizarea unui RCD reduce riscul de electrocutare.

## SIGURANȚĂ PERSONALĂ

- **Fiți vigilenți, fiți atenți la ceea ce faceți, acționați cu simț practic când operați o unealtă electrică. Nu folosiți unealta electrică în timp ce sunteți obosit sau sub influența drogurilor, a alcoolului sau a medicamentelor.** Un moment de neatenție în timpul operării uneltelor electrice poate cauza vătămare personală gravă.
- **Utilizați echipament personal de protecție. Purtați întotdeauna ochelari de protecție.** Echipamentele de protecție, precum masca de praf, încălțăminte de protecție antiderapantă, casca sau protecția auditivă, folosite în condiții adecvate, vor reduce riscul rănilor.
- **Prevenirea pornirii neintenționate. Asigurați-vă că comutatorul este în poziția oprit înainte deconectarea la sursa de alimentare și / sau la acumulator, ridicarea sau transportul uneltei.** Transportarea uneltelor electrice cu degetul pe comutator sau punerea sub tensiune a uneltelor electrice care au comutatorul în poziția pornit predisune la accidente.
- **Îndepărtați orice cheie de reglare înainte de a porni unealta.** O cheie sau rămasă atașată de o piesă rotativă a uneltei electrice poate cauza vătămări corporale.
- **Nu vă aplecați excesiv. În timpul operării dispozitivului, păstrați-vă în permanență echilibrul**

și stabilitatea. Acest lucru permite un mai bun control al uneltei electrice în situații neașteptate.

- **Îmbrăcați-vă corespunzător. Nu purtați haine largi sau bijuterii. Mențineți părul, hainele și mănușile departe de piesele în mișcare.** Hainele largi, bijuteriile sau părul lung pot fi prinse de piesele aflate în mișcare.
- **Dacă sunt prevăzute dispozitive pentru conectarea facilităților de extracție și de colectare a prafului, asigurați-vă că acestea sunt conectate și folosite corect.** Utilizarea colectării prafului poate reduce riscurile legate de praf.

## FOLOSIREA ȘI ÎNTREȚINEREA UNELTEI ELECTRICE

- **Nu forțați produsul. Folosiți unealta electrică corectă pentru aplicație.** Unealta electrică corectă va funcționa mai bine și mai sigur la viteza pentru care a fost proiectată.
- **Nu folosiți unealta electrică dacă comutatorul nu o poate porni și opri.** Orice unealtă electrică, care nu poate fi controlată cu comutatorul este periculoasă și trebuie reparată.
- **Deconectați ștecărul de la sursa de alimentare și / sau acumulatorul de la unealta electrică înainte de a efectua orice reglaje, a schimba accesorii sau de a stoca uneltele electrice.** Astfel de măsuri preventive de siguranță reduc riscul de pornire accidentală a uneltei electrice.
- **Nu lăsați uneltele electrice la îndemâna copiilor și nu permiteți persoanelor nefamiliarizate cu unealta electrică sau cu aceste instrucțiuni să folosească unealta.** Uneltele electrice sunt periculoase în mâinile utilizatorilor neinstruiți.
- **Întrețineți uneltele electrice. Verificați alinierea sau lipirea pieselor în mișcare, spargerea pieselor, precum și orice altă stare care poate afecta funcționarea uneltei electrice. Dacă este deteriorată, solicitați repararea uneltei înainte de utilizare.** Multe accidente sunt cauzate de unelte electrice întreținute necorespunzător.
- **Păstrați uneltele de tăiere ascuțite și curate.** Uneltele de tăiere corect întreținute, cu muchii de tăiere ascuțite au o probabilitate mai redusă de lipire și sunt mai ușor de controlat.
- **Folosiți unealta electrică, accesoriile și burghiile etc. în conformitate cu aceste instrucțiuni, ținând cont de condițiile de lucru și de lucrarea care urmează să fie efectuată.** Utilizarea uneltei electrice pentru alte operații decât cele preconizate poate duce la situații periculoase.

## FOLOSIREA ȘI ÎNTREȚINEREA MAȘINII CU ACUMULATOR

- **Reîncărcați numai cu încărcătorul specificat de producător.** Un încărcător destinat unui anumit tip de acumulator este folosit la încărcarea altor acumulatori există pericolul de incendii.

- **Folosiți uneltele electrice numai cu acumulatorii indicați.** Utilizarea oricărui altii acumulatori poate crea un risc de vătămare și de incendiu.
- **Atunci când acumulatorul nu este în uz, păstrați-l departe de alte obiecte metalice, cum ar fi agrafe de birou, monede, chei, cuie, șuruburi sau alte obiecte metalice mici, care pot face o conexiune de la o bornă la alta.** Scurtcircuitarea bornelor bateriei poate provoca arsuri sau incendiu.
- **Ca urmare a folosirii necorespunzătoare, din acumulator se poate scurge lichid; evitați contactul cu acesta. În cazul unui contact accidental, spălați cu apă.** În cazul contactului cu ochii, consultați suplimentar un medicul.
- **Lichidul care iese din acumulator poate provoca iritații sau arsuri.**

#### ÎNȚREȚINERE

- Solicitați efectuarea lucrărilor de service la unealta dvs. electrică numai de către o persoană calificată în reparații, folosind numai piese de schimb identice. Acest lucru va garanta că siguranța unelei electrice este menținută.

#### ⚠ AVERTISMENT

Nu utilizați niciodată instrumente sau accesorii tăioase nespecificate de Ryobi în acest manual. Acestea includ și lanțurile pivotante multi-piesă și lamele tăietoare pentru motocosoare. Aceste elemente pot ceda în timpul utilizării și prezintă riscuri de accidentare semnificative pentru operator și persoanele din apropiere.

#### ⚠ AVERTISMENT

Inspecția după cădere sau alte impacturi: Inspectați amănunțit produsul și identificați orice defecțiuni sau pagube ale acestuia. Orice piesă deteriorată trebuie să fie reparată în mod corespunzător sau înlocuită de un service autorizat.

#### AVERTIZĂRI DE SIGURANȚĂ ASUPRA FIRULUI DE TĂIERE.

- Anumite regiuni au reglementări ce restricționează folosirea produsului. Pentru sfaturi întrebați autoritățile dvs. locale.
- Nu permiteți niciodată copiilor sau persoanelor care nu sunt familiarizate cu aceste instrucțiuni să utilizeze produsul.
- Folosiți produsul pe timpul zilei sau dacă aveți o sursă de lumină artificială bună.
- Evitați utilizarea pe iarba umedă.
- Nu pășiți înapoi atunci când folosiți produsul.
- Mențineți sprijin ferm pe picioare și echilibru. Nu vă aplecați excesiv. Aplecarea excesivă poate cauza

pierderea echilibrului. Trebuie să stați întotdeauna într-o poziție stabilă pe pante. Mergeți. Nu alergați niciodată.

- Nu folosiți produsul când există risc de fulgere.
- Nu expuneți produsul la ploaie sau condiții de umiditate. Pătrunderea apei în aparat va crește riscul electrocutării.
- Țineți trecătorii, copiii și animalele de companie la 15 metri depărtare de zona de operare. Oprțiți produsul dacă cineva intră în zonă.
- Mențineți accesoriul de tăiere sub nivelul taliei.
- Nu utilizați niciodată produsul cu dispozitive de protecție deteriorate sau fără ca acestea să fie montate.
- Nu înlocuiți niciodată firul de nylon cu unul metalic.
- Feriți-vă întotdeauna mâinile și picioarele de părțile tăietoare ale unelei, mai ales atunci când porniți motorul.
- Atenție, elementele de tăiere continuă să se rotească după ce motorul este oprit.
- Fiți atent la obiectele aruncate de mijloacele de tăiere. Curățați resturile precum pietre mici, pietriș și alte obiecte străine din zona de lucru înainte de începerea operării. Cabluri sau fire pot să fie încălcite în mijloacele de tăiere
- Oprțiți și deconectați de la sursa de alimentare înainte de:
  - revizia
  - lăsarea produsului fără supraveghere
  - curățarea produsului dvs sau înlăturarea unui blocaj
  - schimbarea accesoriilor
  - verificare pentru orice daune după lovirea unui obiect
  - verificare pentru orice daune în cazul în care produsul începe să vibreze anormal
  - efectuarea întreținerii
  - demontarea lamei
  - instalarea lamei
- Lama mică fixată la apărătoarea mașinii de tuns este proiectată să tundă noul fir prelungit la lungimea corectă pentru o funcționare sigură și optimă. Este foarte ascuțită, nu o atingeți în special când curățați aparatul.
- Asigurați-vă întotdeauna că deschiderile de ventilație nu sunt acoperite de resturi.
- Asigurați-vă că accesoriul de tăiere este corect instalat și prins fix.
- Asigurați-vă că toate dispozitivele de protecție, defectoarele și mânerul sunt fixate corect și strâns.
- Nu modificați produsul în niciun mod. bateria se încălzește numai în cazul utilizării prelungite a aparatului.
- Folosiți doar fir de tăiere înlocuitor al producătorului. Nu folosiți niciun alt accesoriu de tăiere.

## REGULI DE SIGURANȚĂ LA UTILIZAREA MOTOCOASEI

- Pe lângă regulile de mai sus, următoarele instrucțiuni suplimentare sunt aplicabile utilizării produsului cu dispozitivul de tăiat arboret.
- Folosiți mănuși de protecție la schimbarea lamelor tăietoare; acestea au margini ascuțite.
- Nu încercați să atingeți sau să opriți lama când aceasta se rotește.
- O lamă tăietoare în mișcare poate cauza vătămări grave. Mențineți controlul asupra produsului cu ambele mâini până ce lama se oprește complet din rotație.
- Înlocuiți toate lamele deteriorate. Asigurați-vă întotdeauna că lama este instalată corect și fixată strâns înainte de fiecare utilizare.
- Folosiți doar lamă de schimb Tri-Arc a producătorului. Nu folosiți niciun alt accesoriu de tăiere.
- Nu tăiați niciodată niciun material cu diametru peste 13 mm (0.5 in.).
- Motocoasa dvs. este echipată cu un harnașament. Reglați cu atenție centura pentru a vă ajuta comod să susportați greutatea aparatului și s-o țineți pe partea dvs a mâinii drepte.
- Identificați mecanismul de eliberare rapidă și faceți câteva probe înainte de a folosi aparatul. Folosirea corespunzătoare poate preveni vătămarea gravă în cazul unei urgențe. Nu purtați niciodată haine suplimentare peste centură sau în altfel să restricționați accesul la mecanismul de eliberare rapidă.
- Acoperiți lama cu protecția pentru lamă înainte de a depozita unitatea sau în timpul transportului. Întotdeauna îndepărtați dispozitivul de protecție al lamei înainte de a utiliza unitatea. Dacă nu sunt îndepărtate, dispozitivul de protecție al lamei ar putea deveni un obiect ce poate fi aruncat atunci când lama va începe să se rotească.
- Acordați atenție maximă când folosiți lama împreună cu produsul. Rezistența lamei este reacția ce poate avea loc atunci când lama în rotire intră în contact cu ceva ce nu poate tăia. Acest contact poate cauza oprirea lamei pentru un moment, și poate "împinge" brusc unitatea îndepărtând-o de obiectul care a fost lovit. Această reacție poate fi suficient de violentă pentru ca operatorul să piardă controlul asupra unității. Accelerarea lamei poate să apară fără avertisment, dacă lama este împiedicată, se blochează sau se lipește. Acest lucru este mai probabil să se întâmple în zonele unde este dificil de văzut materialul ce vine tăiat.
- Pentru o tăiere ușoară și sigură, apropiați-vă de buruienile ce doriți să le tăiați din partea dreaptă înspre stânga. În cazul în care este întâlnit un obiect neașteptat sau buștean de lemn, acest lucru poate micșora reacția de rezistență a lamei. Întotdeauna trebuie folosite ambele mâini pentru a controla acest produs.

## TRANSPORTAREA ȘI DEPOZITAREA

- Opriți produsul și lăsați-l să se răcească înainte de a-l depozita sau transporta.
- Curățați toate materialele străine din produs. Dacă este montată o lamă tăietoare, acoperiți-o cu capacul de protecție.
- Pentru depozitare, deconectați întotdeauna de la sursa de alimentare și înfășurați cablul. Depozitați-l într-un loc răcoros, uscat și bine aerisit ce este inaccesibil copiilor. Nu-l depozitați în apropiere de agenți corozivi cum ar fi produși chimici de grădinarit sau săruri antigel. Nu depozitați în aer liber.
- Pentru transportare, fixați produsul împotriva mișcării sau căderii pentru a preveni vătămarea persoanelor sau deteriorarea produsului.

## ÎNȚREȚINEREA

### ⚠ AVERTISMENT

Folositi doar piese de schimb, accesorii si atasamente originale ale producatorului. Neurmarea acestora poate cauza posibila vătămarea, slaba funcționare și ar putea anula garanția.

### ⚠ AVERTISMENT

Service-ul necesită atenție și cunoștințe deosebite și trebuie îndeplinit doar de către un tehnician service calificat. Pentru service sugerăm să returnați produsul la cel mai apropiat centru service autorizat pentru efectuarea reparațiilor. Când se efectuează service-ul folosiți doar piese de schimb identice.

- Opriți echipamentul și îndepărtați bateria înainte de a efectua orice tip de lucrări de întreținere sau de curățare.
- Puteți face reglaje și reparații descrise în acest manual de instrucțiuni. Pentru alte reparații, contactați agentul service autorizat.
- Pentru fir de schimb, folosiți doar linie cu filament din nylon cu diametrul descris în tabelul cu specificații din acest manual.
- Nu prelungirea noului fir de tăiere, reveniți întotdeauna produsul la poziția sa normală de funcționare înainte de a-l opera.
- După fiecare folosire curățați produsul cu o cârpă moale și uscată. Orice piesă deteriorată trebuie să fie reparată în mod corespunzător sau înlocuită de un service autorizat.
- Verificați toate piulițele, suruburile la intervale frecvente de timp ca să fie corespunzător strânse pentru a vă asigura că produsul este în stare de lucru în siguranță.

**RISCURI REZIDUALE**

Chiar dacă produsul este folosit așa cum a fost prescris, este totuși imposibil să se elimine complet anumiți factori de risc reziduali. Următoarele pericole pot apărea în timpul folosirii și operatorul trebuie să acorde atenție specială pentru a evita următoarele:

- Vătămare cauzată de vibrație.
- Țineți produsul de mânerele proiectate și restricționați timpul și expunerea de lucru.
- Poate fi cauzată vătămarea auzului de la expunerea la zgomot.
- Purtați protecție pentru auz și limitați expunerea.
- Vătămare cauzată de resturile aruncate
- Purtați întotdeauna protecție pentru ochi.

Contactul cu mijloacele de tăiere. Asigurați-vă că apărătorii lamei sunt montate atunci când produsul nu este în uz. Țineți tot timpul mâinile și picioarele ferite de lame.

Pot apărea șocuri (reculuri) atunci când utilizați lama tăietoare pentru arboret. Asigurați controlul corespunzător asupra produsului folosind ambele mâini. Citiți și urmați instrucțiunile din acest manual pentru a reduce riscul de recul al produsului.

Risc de cădere a obiectelor: În timpul tăierii tufșurilor, purtați cască de protecție dacă există risc de cădere a obiectelor.

**REDUCEREA RISCULUI**

A fost raportat faptul că vibrațiile de la produsele ținute în mână ar putea să contribuie la anumite persoane la starea numită sindromul lui Raynaud. Simptomele pot include furnicături, amorțeală și albirea degetelor, care apare, de obicei, după expunerea la frig. Factori ereditari, expunerea la frig și umiditate, dieta, fumatul și practicile de muncă contribuie la dezvoltarea acestor simptome. Există măsurători care pot fi efectuate de către operator pentru a reduce efectele de vibrațiilor:

- Păstrați-vă temperatura corporală ridicată pe vreme rece. Când operați produsul purtați mănuși pentru a menține calde mâinile și încheieturile. S-a constatat că vremea rece este un factor major care contribuie la sindromul Raynaud.
- După fiecare perioadă de operare, trebuie făcute exerciții pentru a crește circulația sângelui.
- Trebuie făcute pauze la intervale de timp regulate. Limitați expunerea zilnică.

Dacă sunt experimentate oricare dintre simptomele acestei afecțiuni, trebuie întreruptă utilizarea și consultat un medic.

**⚠ AVERTISMENT**

Pot fi cauzate sau agravate vătămările de la folosirea prelungită a aparatului. Atunci când folosiți o sculă pentru perioade prelungite, asigurați-vă că luați pauze regulate.

**CUNOAȘTEȚI-VĂ PRODUSUL**

Vezi pagina 154.

1. Bară superioară
2. Mâner de bicicletă
3. Întrerupător PORNIT/OPRIT
4. Declanșator
5. Cuplaj al coloanei/barei.
6. Bară inferioară
7. Deflector de iarbă
8. Lamă de tăiere
9. Fir de tăiere
10. Cap bombat
11. Capac bobină
12. Bobină
13. Gaură
14. Declanșator blocabil
15. Trăgaci viteză variabilă
16. Mâner anterior
17. Element de protecție lamă
18. Lamă Tri-Arc
19. Protecție lamă
20. Acumulator
21. Buton zăvor a bateriei
22. Cablul încărcătorului
23. Încărcător

**SIMBOLURILE DE PE PRODUS.**

Avertizare de siguranță



Citiți și înțelegeți toate instrucțiunile înainte operării produsului, urmați toate avertizările și instrucțiunile de siguranță.



Purtați protecție pentru ochi, auz și cap.



Purtați întotdeauna încălțăminte de siguranță antiderapantă când utilizați acest produs.



Purtați mănuși care nu alunecă, destinate pentru operațiuni grele.



Nu expuneți la ploaie sau umezeală.



Acest produs nu este destinat pentru utilizare cu o lamă de tip ferăstrău cu dinți.



Direcția de rotație și turația maximă a arborelui pentru atașamentul de tăiere.



Trage:  
Gaică de eliberare rapidă



Feriți-vă de obiecte proiectate sau în zbor. Păstrați distanța între persoanele din apropiere și produs.



Feriți-vă de obiecte proiectate sau în zbor. Țineți toți trecătorii, în special copiii și animalele de companie la cel puțin 15 metri de zona de operare.



Țineți mâinile ferite de discul de tăiere



Feriți-vă de mișcările bruște ale lamei.



Lama Tri-Arc este compatibilă cu acest produs și este adecvată pentru tăierea buruienilor cu tulpină groasă și a plantelor agățătoare.



Deșeurile produselor electrice nu trebuie să fie înălțurate împreună cu deșeurile casnice. Vă rugăm reciclați acolo unde există facilități. Verificați la autoritatea dvs locală sau la vânzător pentru sfaturi privind reciclarea.



Acest aparat este conform cu ansamblul normelor reglementare din țara din UE în care a fost cumpărat.



Marcaj de conformitate EurAsian



Semn de conformitate ucrainean



Nivel de presiune sonoră garantat la funcționarea cu lamă



Nivel de presiune sonoră garantat la funcționarea cu fir



Notă

rmătoarele cuvinte simbol și înțelesul lor au intenția de a explica nivelele de risc asociate cu acest produs.

**PERICOL**

Indică o situație periculoasă iminentă, care dacă nu este evitată va cauza decesul sau vătămarea gravă.

**AVERTISMENT**

Indică o situație periculoasă iminentă, care dacă nu este evitată poate rezulta în deces sau vătămare gravă.

**ATENȚIE**

Indică o situație potențial periculoasă, care dacă nu este evitată poate cauza vătămarea moderată sau ușoară.

**ATENȚIE**

Fără a simbolul de alertă privind siguranța

Indică o situație care poate duce la pagube materiale.

**SIMBOLURI DIN ACEST MANUAL**



Conectarea la priză



Deconectați de la priză



Piese sau accesorii vândute separat



EN
FR
DE
ES
IT
NL
PT
DA
SV
FI
NO
RU
PL
CS
HU
RO
<b>LV</b>
LT
ET
HR
SL
SK
BG
UK

Drošība, sniegums un uzticamība ir augstākā prioritāte jūsu bezvada krūmu griezējs un zāles pļaušanas trimmeris.

**PAREDZĒTAIS LIETOJUMS**

Auklas trimmeris/krūmgriezis paredzēts lietošanai tikai pieaugušiem, kuri izlasījuši un sapratuši šīs rokasgrāmatas norādes un brīdinājumus un var tikt uzskatīti par atbildīgiem par savu rīcību. Ierīce ir paredzēta tikai lietošanai ārā, labi vēdinātās apstākļos. Drošības nolūkos, trimmeri jāizmanto, to atbilstoši vadot ar abām rokām.

Šis instruments ir aprīkots ar auklas trimmera galvu (un atbilstoši aizsargu) un ir paredzēts garas zāles, mīkstu salmu un līdzīgu augu pļaušanai zemes līmenī vai tā tuvumā. Aprīkojot to ar Tri-Arc™ asmeni (un atbilstošu aizsargu), ar to var griezt arī krūmus.

Griešanas plaknei ir jābūt aptuveni paralēli zemes virsmai. Izstrādājumu nedrīkst lietot dzīvzogu, krūmu vai cita apauguma griešanai vai cirpšanai, ja griešanas plakne nav paralēla zemes virsmai.

**⚠ BRĪDINĀJUMS**

Izmantojot ierīci, izpildiet drošības noteikumus. Pirms darba uzsākšanas Jūsu un blakusstāvētāju drošības dēļ, lūdzu, izlasiet šos norādījumus. Lūdzu, glabājiet noteikumus drošā vietā vēlākai izmantošanai.

**⚠ BRĪDINĀJUMS**

Ierīce nav paredzēta bērniem vai cilvēkiem ar samazinātām fiziskām, garīgām spējām vai maņu kustību traucējumiem. Jāuzrauga bērni, lai nodrošinātu, ka viņi nespēlējās ar ierīci.

**APMĀCĪBA**

- Neļaujiet šo izstrādājumu lietot bērniem vai cilvēkiem, kuri nav izlasījuši šīs instrukcijas.
- Uzmanīgi izlasiet norādījumus. Iepazīstieties ar visām vadībām un pareizu precis izmantošanu.
- Veicot pļaušanu, turiet darba vietu brīvu no skatītājiem, bērniem un mājdzīvniekiem. Ja kāds ienāk zonā, apturiet precī.
- Nedarbiniet izstrādājumu, kad esat noguris, slims vai alkohola, narkotisko vielu vai zāļu iespaidā.
- Izmantojiet izstrādājumu tikai zāles un nezāļu pļaušanai. Nelietojiet citiem mērķiem.
- Turēkīte omenyje, kad operatorius arba vartotojas yra atsakingas už nelaimingus atsitikimus arba kitiems asmenims ar jų turėti sukeltą pavojų.

**SAGATAVOŠANA**

- Darbinot precī, valkājiet pilnus acu un ausu aizsargus. Ja strādājat zonā, kur pastāv kritošu priekšmetu risks, jāvalkā galvas aizsargs.
- Dzirdes aizsardzība var ietekmēt lietotāja spēju dzirdēt

brīdinājuma skaņas.

- Īpašu uzmanību pievēršiet potenciālajiem riskiem jums apkārt un darba vietā.
- Velciet izturīgas garās bikses, zābakus un cimdus. Nevelciet platu un vaļīgu apģērbu, īsās bikses, jebkādas rotaslietas un nelietojiet bez apaviem.
- Nostipriniet garus matus tā, lai tie ir virs plecu līmeņa, lai novērstu sapīšanas kustīgajās daļās.
- Pirms lietošanas un pēc jebkura trieciena, pārbaudiet, vai nav bojātu daļu. Bojāts slēdzis vai kāda daļa, kas ir bojāta vai nolietota, pareizi jāsalabo vai jānomaina pilnvarotā servisa centrā.
- Pārliecinieties, ka griešanas uzgalis ir pareizi uzstādīts un droši nostiprināts.
- Nekad nedarbiniet produktu, ja vien visi aizsargi, deflektori un rokturi ir pareizi un droši pievienoti.
- Pārskatiet apkārtni, kurā strādājat. Atbrīvojiet darba zonu no vadiem, zariem, akmeņiem un būvgruziem, kas, iedarbinot griezēju, var tikt izvaidīti.

**VISPĀRĪGIE DROŠĪBAS BRĪDINĀJUMI**

**⚠ BRĪDINĀJUMS**

**Izlasiet visus drošības brīdinājumus un norādījumus.** Brīdinājumu un norādījumu neizpildīšana var izraisīt elektrisko triecienu, aizdegšanos un/vai smagu ievainojumu.

Brīdinājumus un instrukcijas saglabājiet turpmākai uzziņai. Nosaukums "elektroinstruments" brīdinājumos attiecas uz jūsu elektrisko (ar vadu) elektroinstrumentu vai ar akumulatoru darbināmo (bez vada) elektroinstrumentu.

**DARBA VIETA**

- **Turiet darba vietu tīru un labi apgaismotu.** Pārblīvētas un tumšas vietas izraisa negadījumus.
- **Nedarbiniet elektroinstrumentus sprādzienbīstamā vidē, piemēram, degošu šķidrumu, gāzu vai putekļu klātbūtnē.** Elektroinstrumenti rada dzirksteles, kas var aizdedzināt putekļus vai gāzes.
- **Neļaujiet bērniem un blakusstāvētājiem tuvoties darbā esošiem elektroinstrumentiem.** Izklaidības dēļ jūs varat zaudēt kontroli.

**ELEKTRODROŠĪBA**

- **Elektroinstrumenta kontaktakšai jāatbilst kontaktligzdai. Nekad nepārveidojiet kontaktakšu. Sazemētiem elektroinstrumentiem nelietojiet pārejas ligzdas.** Nepārveidotas kontaktakšas un atbilstošas kontaktligzdas samazinās elektriskā trieciena risku.
- **Nepieļaujiet ķermeņa kontaktu ar sazemētām virsmām, piemēram, caurulēm, radiatoriem, pavadiem un saldētāvām.** Ja jūsu ķermenis ir sazemēts, pastāv palielināts elektriskā trieciena risks.

- **Nepakļaujiet precī lietum vai slapjiem apstākļiem.** Ūdens iekļūšana elektroinstrumentā palielina elektriskā trieciena risku.
- **Neizmantojiet kabeli nepareizi. Nekad neizmantojiet vadu, lai nestu, vilktu elektroinstrumentu vai atvienotu kontaktdakšu.** Turiet kabeli tālu no siltuma avota, eļļas, asiem priekšmetiem vai kustīgām detaļām. Bojāts vai savērpts kabelis palielina elektriskā trieciena iespēju.
- **Strādājot ar elektroinstrumentu ārpus telpām, lietojiet āra lietošanai piemērotu pagarinātāju.** Elektriskā trieciena risku samazina lietošanai ārpus telpām piemērota kabeļa izmantošana.
- **Ja elektroinstrumenti ir jālieto mitrās telpās, izmantojiet strāvas noplūdes automātslēdzi (RCD) barošanas vadā.** Paliekošās strāvas ierīces izmantošana samazina elektriskā trieciena risku.

### PERSONISKĀ DROŠĪBA

- **Uzmanieties darba laikā un izmantojiet veselo saprātu, darbojoties ar elektroinstrumentu.** Neizmantojiet elektroierīci, ja esat noguris vai narkotisko vielu, alkohola vai medikamentu ietekmē. Neuzmanības brīdis, strādājot ar elektroinstrumentiem, var izraisīt smagus ievainojumus.
- **Lietojiet personīgo aizsargaprīkojumu. Vienmēr lietojiet aizsargbrilles.** Aizsargaprīkojums, piemēram, putekļu maska, neslīdoši aizsargapavi, aizsargķivere vai ausu aizsargi, kas lietoti atbilstošos apstākļos, samazina personas ievainojumu iespēju.
- **Nepieļaujiet nejaušu iedarbināšanu. Pirms pievienot enerģijas avotam un/vai akumulatoram, pacelt un pārvietot darbarīku, pārliecinieties, ka slēdzis ir izslēgtā stāvoklī.** Elektroinstrumentu pārnēsāšana, turot pirkstu uz slēdža vai ieslēgtu elektroinstrumentu pārnēsāšana var izraisīt nelaimes gadījumu.
- **Noņemiet visas regulēšanas uzgriežņu atslēgas pirms elektroierīces ieslēgšanas.** Uzgriežņu atslēga vai atslēga, kas palikusi piestiprināta pie elektroinstrumenta rotējošās detaļas, var izraisīt personas ievainojumu.
- **Nepersitempkite. Visu laiku stāviet stingri un stabili.** Tas ļauj labāk vadīt elektroinstrumentu negaidītās situācijās.
- **Apģērbieties pareizi. Nevalkājiet vaļīgu apģērbu vai rotaslietas.** Turiet savus matus, apģērbu un cimdus tālu no kustīgām detaļām. Vaļīgs apģērbs, rotaslietas vai gari mati var tikt ierauti starp kustīgām detaļām.
- **Ja ierīce ir aprīkota ar putekļu nosūcēja un savācēja pievienojumu, pārliecinieties, ka tas ir pievienots un tiek pareizi lietots.** Putekļu savācēja lietošana var samazināt putekļu izraisītos riskus.

### ELEKTROINSTRUMENTU LIETOŠANA UN APRŪPE

- **Nepielietojiet spēku, izmantojot ražojumu.** Izmantojiet savam darbam atbilstošu elektroierīci. Pareizais elektroinstrumenti veiks darbu labāk un drošāk ar ātrumu, kādam ticis konstruēts.
- **Nelietojiet elektroinstrumentu, ja ar slēdzi to nevar ieslēgt un izslēgt.** Ja elektroinstrumentu nevar vadīt ar slēdzi, tas ir bīstams un jāremontē.
- **Pirms elektroinstrumentu regulēšanas, piederumu maiņas vai uzglabāšanas atvienojiet spraudni no barošanas avota un/vai akumulatora bloku no elektroinstrumenta.** Šādi profilakses pasākumi samazina elektroierīces nejaušas iedarbināšanas iespēju.
- **Glabājiet neizmantotus elektroinstrumentus bērniem nepieejamās vietās un neļaujiet neapmācītām personām darboties ar elektroinstrumentiem.** Elektroinstrumenti ir bīstami neapmācītu personu rokās.
- **Apkopt elektroinstrumentus. Pārbaudiet kustīgo detaļu savienojumu pareizību, detaļu berzi un citus apstākļus, kas var ietekmēt elektroinstrumenta darbu.** Ja elektroinstrumenti ir bojāti, pirms lietošanas veiciet tā remontu. Daudzus negadījumus izraisa slikti apkopti elektroinstrumenti.
- **Turiet griezējriklus asus un tīrus.** Pareizi apkopti griezējriklenti ar asām griezējšķautnēm retāk pielīp un ir vieglāk vadāmi.
- **Izmantojiet elektroierīci, piederumus, darbinstrumentus u.c. saskaņā ar šiem norādījumiem, ņemiet vērā darba apstākļus un veicamo darbu.** Elektroinstrumenta izmantošana neparedzētu darbību veikšanai var radīt bīstamu situāciju.

### AR AKUMULATORU DARBINĀMU IERĪČU LIETOŠANA UN KOPŠANA

- **Uzlādējiet tikai ar ražotāja noteikto lādētāju.** Lādētājs, kas paredzēts lietošanai ar viena veida akumulatoru, var būt ugunsnedrošs, ja to izmanto ar citu akumulatoru.
- **Lietojiet elektriskos instrumentus tikai ar konkrētajai ierīcei paredzēto akumulatoru.** Jebkura cita akumulatora lietošana var radīt ievainojumu un ugunsgrēka risku.
- **Kad nelietojat akumulatoru, neturiet to citu metāla priekšmetu tuvumā, piemēram: papīra saspaudes, monētas, atslēgas, naglas, skrūves vai citi sīki metāla priekšmeti, kas var veidot savienojumu starp spailēm.** Akumulatora spaiļu īsslēgums var radīt aizdegšanos vai ugunsgrēku.
- **Nepareizas rīcības gadījumā no akumulatora var izkļūt šķidrums; izvairieties no saskares ar to.** Nejaušas saskares gadījumā skalojiet skarto vietu ar ūdeni. Ja šķidrums nokūst acīs, nepieciešama arī medicīniskā palīdzība.

- No akumulatora izkljuvušais šķidrums var izraisīt kairinājumu vai apdegumus.

#### APKOPE

- Vai jūsu elektroinstrumentu apkalpo kvalificēts personāls, izmantojot tikai identiskas rezerves daļas. Tas nodrošinās elektroinstrumenta drošības saglabāšanu.

#### ⚠ BRĪDINĀJUMS

Nekad neizmantojiet griešanas aprīkojumu vai pielāgojumus, kurus Ryobi nav norādījis šajā rokasgrāmatā. Tie iekļauj daudzposmu lokanu ķēžu un asmeņu izmantošanu. Ir zināms, ka šie priekšmeti mēdz lietošanas laikā sadalīties un rada paaugstinātu smagu ievainojumu risku lietotājam vai apkārtstāvošajiem.

#### ⚠ BRĪDINĀJUMS

Pārbaude pēc nosviešanas vai citiem triecieniem: Rūpīgi pārbaudiet produktu un nosakiet jebkādas radušās vainas vai bojājumus. Jebkura bojāta detaļa jānodod remontam vai nomaīnai pilnvarotā apkopes centrā.

#### AUKLAS TRIMMERA DROŠĪBAS BRĪDINĀJUMI

- Dažos reģionos pastāv noteikumi, kas ierobežo preces lietošanu. Vērsieties pie atbildīgajām amatpersonām pēc padoma.
- Neļaujiet šo izstrādājumu lietot bērniem vai cilvēkiem, kuri nav izlasījuši šīs instrukcijas.
- Lietojiet izstrādājumu dienas gaismā vai labā mākslīgā apgaismojumā.
- Nelietojiet ierīci slapjā zālē.
- Lietojot šo precī, nesaīgājiet atmuguriski.
- Visada tvirtai stovēkite ir īslaikykite pusiausvyrā. Nepersitempkite. Persitempe galite prarasti pusiausvyrā. Slīpumā kājas vienmēr turiet stabilā pozīcijā. Ejiet, nekādā gadījumā neskrieniet.
- Nelietojiet ierīci, kad pastāv zibens spēriena risks.
- Nepakļaujiet precī lietum vai slapiem apstākļiem. Ūdenim iekļūstot iekārtā, palielināsies risks saņemt elektriskās strāvas triecienu.
- Pārliedzinieties, ka tuvumā stāvošie -bērni un dzīvnieki ir 15 m attālumā no jūsu darbošanās vietas. Ja kāds ienāk zonā, apturiet precī.
- Turiet griešanas uzgali zem jostasvietas līmeņa.
- Nekad nedarbiniet izstrādājumu ar bojātiem vai bez uzstādītiem aizsargiem.
- Nekad nepielāgojiet metāla aizvietotāja auklu.
- Turiet rokas un kājas tālāk no griezējdaļām visu laiku un īpaši, kad tiek ieslēgts motors.
- Uzmanieties, jo griezējelementi turpina rotēt arī pēc motora izslēgšanas.

- Uzmanieties no priekšmetiem, kas tiek izsvaidīti griešanas laikā. Pirms darba uzsākšanas atīriet darba zonu no maziem akmeņiem, grants un citiem svešiem priekšmetiem. Vadi vai auklas var iepīties griešanas laikā.
- Izslēdziet un atvienojiet no enerģijas avota pirms:
  - apkope
  - izstrādājuma atstāšana bez uzraudzības
  - preces tīrīšana vai nosprostošana atbrīvošana
  - maināmi piederumi
  - ierīces pārbaude pēc sitiena pa priekšmetu
  - ja izstrādājums sāk neparasti vibrēt, pārbaudiet, vai tas nav bojāts
  - apkopes veikšana
  - asmens noņemšana
  - asmens uzstādīšana
- Mazais asmens, kas pievienots zāliena aizsargam, ir paredzēts jaunas pagarinātās auklas apgriešanai pareizā garumā, nodrošinot drošu un optimālu sniegumu. Tas ir ļoti ass, tāpēc neaiztieciot to, it īpaši, tīrot instrumentu.
- Vienmēr pārliedzinieties, ka ventilācijas atveres ir tīras no netīrumiem.
- Pārliedzinieties, ka griešanas uzgali ir pareizi uzstādīts droši nostiprināts.
- Pārbaudiet, vai visi aizsargi, noliecēji un rokturi ir pareizi un stingri piestiprināti.
- Nekādā veidā neveiciet instrumenta pārveidi. Šāda situācija parādās tikai tad, ja akumulators sakarst no instrumenta nepārtrauktas lietošanas.
- Lietojiet tikai ražotāja piedāvāto rezerves griešanas auklu. Nelietojiet citus griešanas uzgali.

#### KRŪMGRIEŽA DROŠĪBAS NOTEIKUMI

- Papildus iepriekš minētajiem noteikumiem, izmantojot trimmeri krūmgrieža režīmā, ir jāievēro šādas papildu norādes.
- Izmantojiet izturīgus cimdus, uzstādot vai noņemot asmeņus - tiem ir asas malas.
- Nemēģiniet pieskarties vai apstādināt asmeni, kamēr tas griežas.
- Kustīgs asmens var izraisīt smagus ievainojumus. Turpiniet turēt trimmeri ar abām rokām, līdz asmens ir pilnīgi apstājies.
- Vienmēr nomainiet bojātu asmeni. Vienmēr pirms lietošanas pārliedzinieties, ka asmens ir uzstādīts pareizi un ir stingri piestiprināts.
- Lietojiet tikai ražotāja Tri-Arc maināmos asmeņus. Nelietojiet citus griešanas uzgali.
- Nekad neplaujiet, ja plaujamā materiāla diametrs ir lielāks par 1.25 cm (0.5 in.).
- Jūsu krūmgriezis ir apgādāts ar uzakabi. Pielāgojiet turētāju, lai varētu ērti noturēt ierīci un iekarināt to savā labajā pusē.

- Identificējiet ātrās atbrīvošanas mehānismu un iemācieties to lietot pirms jūs esat sācis lietot šo ierīci. Šī mehānisma pareiza izmantošana var pasargāt jūs no ievainojumiem ārkārtas gadījumos. Nekad nevelciet citu apģērbu virs turētāja vai jebkādā citā veidā apgrūtiniet piekļuvi ātrās atlaišanas mehānismam.
- Nosedziet asmeni ar asmens aizsargu pirms ierīces glabāšanas vai tās transportēšanas laikā. Pirms iekārtas izmantošanas vienmēr noņemiet asmens aizsargu. Pretējā gadījumā asmens aizsargs var kļūt par mestu priekšmetu, kad asmens sāk griezties.
- Izmantojot ierīci ar asmeni, ievērojiet īpašu piesardzību. Asmens grūdiens ir reakcija, kas var rasties, rotējošam asmenim nonākot saskarē ar nesagriežamu materiālu. Šāda saskare var izraisīt asmens apstāšanos uz acumirkli un pēkšņu ierīces "grūdienu" virzienā prom no aizskartā priekšmeta. Šī reakcija var būt pietiekoši spēcīga, lai operators zaudētu kontroli pār ierīci. Asmens rāviens var negaidīti rasties, ja asmens iespiežas, apstājas vai pielīp. Lielākoties tas var rasties vietās, kur ir grūtības redzēt griezamo materiālu.
- Ērtības un drošības apsvērumu dēļ grieziet nezāles no labās puses uz kreiso. Tādējādi var samazināt asmens grūdienu reakciju, pēkšņi saskaroties ar negaidītu objektu vai koka gabalu. Šis ražojums vienmēr ir jākontrolē, izmantojot abas rokas.

## TRANSPORTĒŠANA UN UZGLABĀŠANA

- Apturiet precī un ļaujiet tai atdzist pirms noglabāšanas vai transportēšanas.
- Notīriet visus svešķermeņus no izstrādājuma. Ja uzstādīts griešanas asmens, uzlieciet tam asmens aizsargu.
- Glabāšanas laikā vienmēr atvienojiet kabeli no strāvas avota un satiniet. Uzglabājiet to vēsā, sausā un labi vēdinātā vietā, kurai nevar piekļūt bērni. Neglabājiet to vietā, kur tuvumā atrodas korozīvas vielas, piemēram dārza darbos izmantojamas ķīmikālijas vai atsaldēšanas domāta sāls. Neuzglabājiet ārpus telpām.
- Transportējot nostipriniet ierīci, lai tā nekustētos un neapgāztos, jo tas var izraisīt miesas bojājumus un ierīces bojājumus.

## APKOPE

### ⚠ BRĪDINĀJUMS

Lietojiet tikai oriģinālās ražotāja rezerves daļas, piederumus un uzgaļus. Pretējā gadījumā var tikt radīti ievainojumi un parādīts slikts sniegums, kā arī var tikt anulēta garantija.

### ⚠ BRĪDINĀJUMS

Aptarnavimā atlikti būtina itin atdžītai, todėl rekomenduojame, kad techninė apžiūra vykdytų kvalifikuotas specialistas. Techninei apžiūrai atlikti patariame gražinti prietaisą į artimiausią įgaliotą paslaugų teikimo tarnybą. Sugedusias detales keiskite tik originaliomis detalėmis.

- Izslēdziet un noņemiet akumulatoru bloku, pirms veikt jebkādas apkopes vai tīrīšanas darbus.
- Daudzus šajā lietotāja rokasgrāmatā aprakstītos regulēšanas un remontdarbus varat veikt pats. Lai veiktu citus remontdarbus, sazinieties ar pilnvarotu servisa darbinieku.
- Aizstāšanai izmantojiet tikai neilona šķiedras auklu, kuras diametrs aprakstīts šīs rokasgrāmatas specifikācijas tabulā.
- Kad pagarināta jauna griešanas aukla, pirms iedarbināšanas vienmēr atgrieziet precī tās parastajā darba stāvoklī.
- Pēc katras lietošanas reizes notīriet precī ar mīkstu, sausu drāniņu. Jebkura lītiņa detaļa jānodod remontam vai nomaīnai pilnvarotā apkopes centrā.
- Regulāri pārbaudiet visus uzgriežņus, stiprinājumus un skrūves, lai pārliecinātos, ka tās ir cieši pievilktas un izstrādājums ir drošā darba stāvoklī.

## OBJEKTĪVIE RISKI

Pat ka prece ir lietotā kā noteikts, nav iespējams pilnībā novērst noteiktus riska faktorus. Lietošanas laikā var rasties šādas bīstamas situācijas, un lietotājam ir jāpievērš pastiprināta uzmanība, lai tās novērstu:

- Vibrācijas radīts ievainojums.
- Turiet precī aiz paredzētajiem rokturiem un ierobežojiet darba laiku, un pakļaušanu.
- Pakļaušanas troksnis var radīt dzirdes bojājumus. Valkājiet ausu aizsargu un ierobežojiet saskarsmi.
- Strauji izsviesta materiāla radīts veselības kaitējums. Vienmēr nēsājiet acu aizsardzību.

Saskare ar griešanas līdzekļiem. Nodrošiniet, ka asmens aizsargs ir pievienots, kad prece netiek izmantota. Turiet rokas un kājas pa gabalu no asmeņiem visu laiku.

Izmantojot krūmgriezi var notikt atsitienu. Nodrošiniet instrumenta pareizu vadīšanu, tā rokturus satverot ar abām rokām. Izlasiet un ievērojiet norādes šajā rokasgrāmatā, lai palīdzētu samazināt atsitienu risku.

Krītošu priekšmetu risks: Griešanas laikā, nēsājiet galvas aizsardzību, ja pastāv krītošu priekšmetu risks.

**RISKA SAMAZINĀŠANA**

Ir ziņots, ka rokās turamu preču vibrācijas dažām personām var veicināt „Reino sindromu”. Simptomi var ietvert pirkstu tīnkšķēšanu, nejutīgumu un nobālēšanu, parasti aukstā laikā. Tiek uzskatīts, ka tradicionālie faktori, aukstums un mitrums, uzturs, smēķēšana un darba prakse sekmē šo simptomu attīstību. Operators var veikt pasākumus, lai iespējami samazinātu vibrācijas efektu:

- Aukstā laikā ķermenim jābūt siltam. Kad darbināt precī valkājiet cimdus, lai rokas un plaukstu locītavas būtu siltas. Ir pētījumi, ka auksts laiks ir galvenais faktors, kas veicina Reino sindromu.
- Ik pēc laika apturiet darbu un veiciet vingrinājumus, kas uzlabo asins cirkulāciju.
- Strādājot jābūt biežiem pārtraukumiem. Ierobežojiet iedarbības ilgumu dienā.

Ja jūs izjūtat kādu no šiem simptomiem, nekavējoties apturiet ierīces lietošanu un sazinieties ar ārstu par šiem simptomiem.

**▲ BRĪDINĀJUMS**

Ilgstoša preces lietošana var radīt ievainojumus vai pasliktināt jau esošos. Ilgstoši lietojot jebkuru instrumentu, pārliecinieties, ka tiek veikti regulāri pārtraukumi.

**PAZĪSTIET SAVU IERĪCI**

Skatīt 154. lappusi

1. Augšējā vārpsta
2. Velosipēda veida rokturis
3. Slēdzis “ieslēgšana”/“apturēšana”
4. Mēlīte
5. Savienojumi
6. Apakšējā vārpsta
7. Zāles novirzītājs
8. Atgriešanas asmens
9. Griešanas aukla
10. Auklas kārba
11. Spoles pārsegs
12. Spole
13. Cilpa
14. Bloķēšanas mēlīte
15. Maināma ātruma slēdzis
16. Priekšējais rokturis
17. Asmens aizsargs
18. Tri-Arc asmens
19. Asmens aizsargs
20. Akumulators
21. Akumulatora stiprinājuma poga
22. Lādētāja vads
23. Lādētājs

**UZ PRECES ESOŠIE SIMBOLI**



Drošības brīdinājums



Pirms preces darbināšanas izlasiet un izprotiet visus norādījumus, ievērojiet visus brīdinājumus un drošības norādījumus.



Izmantojiet acu, ausu un galvas aizsargu.



Kad izmantojat šo izstrādājumu, lietojiet neslīdošus aizsargapavus.



Valkājiet neslīdošus darba cimdus.



Nepakļaujiet lietum vai mitriem apstākļiem.



Šis izstrādājums nav paredzēts lietošanai ar zobu zāģa tipa asmeni.



Griezējierīces vārpstas rotācijas virziens un maksimālais ātrums.



Vilkt:  
Ātrās atlaišanas cilpa



Sargieties no izmestiem vai lidojošiem priekšmetiem. Atturiet skatītājus drošā attālumā no izstrādājuma.



Sargieties no izmestiem vai lidojošiem priekšmetiem. Rūpējieties, lai visi tuvumā stāvošie, īpaši bērni un dzīvnieki atrastos vismaz 15 m attālumā no darba zonas



Turiet rokas pa gabalu no asmeņiem.



Uzmanieties no asmens.



Tri-Arc asmens ir labākā izvēle šim instrumentam un ir paredzēts mīkstu nezāļu un staipekņu griešanai



Izlietotie elektroprodukti nedrīkst tikt izmesti kopā ar mājtsaimniecības atkritumiem. Lūdzu, nododiet tos attiecīgajās atkār totas izmantošanas vietās. Sazinieties ar savu vietējo varas pārstāvi vai izplatītāju, lai noskaidrotu, kur iespējama atkārtota pārstrāde.



Darbarīks atbilst visām normām ES valstī, kurā tas ir iegādāts.



EurAsian atbilstības marķējums



Ukrainas apstiprinājuma zīme



Garantētais skaņas jaudas līmenis krūmgriezī



Garantētais skaņas jaudas līmenis auklas trimmerim

### SIMBOLI ŠAJĀ ROKASGRĀMATĀ



Pievienojiet enerģijas avotam



Atvienojiet no enerģijas avota



Atsevišķi nopērkamās daļas vai piederumi



Piezīme

Lai izskaidrotu risku, kas saistīti ar izstrādājumu, līmeni, paredzēti šādi norādījuma vārdi un jēdzieni.

#### **⚠ BĪSTAMI**

Norāda draudošo bīstamo situāciju, kas, ja no tās neizvairās, var novest pie nāves vai nopietnas traumas.

#### **⚠ BRĪDINĀJUMS**

Norāda potenciālo bīstamo situāciju, kas, ja no tās neizvairās, var novest pie nāves vai nopietnas traumas.

#### **⚠ UZMANĪBU**

Norāda potenciālo bīstamo situāciju, kas, ja no tās neizvairās, var novest pie nelielas vai vidējas traumas.

#### **UZMANĪBU**

Bez drošības brīdinājuma apzīmējuma

Norāda uz situāciju, kas var radīt īpašuma bojājumus.

Projektuojant belaidę krūmapjovę ir vejapjovę, didžiausias prioritetas suteiktas saugai, eksploatacinėms savybėms ir patikimumui.

### NAUDOJIMO PASKIRTIS

Nešiojamoji žoliapjovė / krūmapjovė su lynu yra skirta naudoti tik suaugusiems asmenims, kurie perskaitė ir suprato šioje instrukcijoje pateiktus nurodymus ir įspėjimus bei gali būti laikomi atsakingais už savo veiksmus. Prietaisas skirtas naudoti lauke, gerai vėdinamoje vietoje. Darbo šiuo įrenginiu saugą galima užtikrinti tik dirbant abiem rankomis.

Produktas, kuriame įtaisyta žoliapjovės galvutė (ir atitinkamas apsaugas), naudojamas pjaunant aukštą žolę, minkštąsias piktžoles ir panašią augmeniją prie žemės lygio ar arti jos paviršiaus. Sumontavus geležtę „Tri-Arc™“ (ir atitinkamą apsauginį įtaisą), šiuo įrenginiu galima pjauti ir krūmus.

Pjovimo plokštuma turi būti maždaug lygiagreti žemės paviršiui. Produkto negalima naudoti pjauti ar apkarpyti gyvatvoretis, krūmus ar kitus augalus, kai pjovimo plokštuma nėra lygiagreti žemės paviršiui.

### ⚠ ĮSPĖJIMAS

Būtina laikytis saugos reikalavimų naudojantis šiuo produktu. Dėl savo pačių ir šalia esančių asmenų saugumo, perskaitykite šias instrukcijas prieš pradėdami dirbti prietaisu. Išsaugokite šią instrukciją ateičiai.

### ⚠ ĮSPĖJIMAS

Krūmapjovės negali naudoti vaikai ar asmenys su fiziniais, psichiniais ar jutiminiais sutrikimais. Pasirūpinkite, kad vaikai nežaistų su šiuo prietaisu.

### APMOKYMAS

- Niekada neleiskite naudotis šiuo gaminiu vaikams ar asmenims, nesusipažinusiems su šiomis instrukcijomis.
- Atidžiai perskaitykite instrukcijas. Būtina susipažinti su gaminio valdymo įtaisais ir tinkamo naudojimo nurodymais.
- Darbo metu užtikrinkite, kad šalia prietaiso nebūtų pašalinių asmenų, vaikų, naminių gyvūnų. Į apdirbamą plotą įėjus pašaliniam asmeniui, gaminį reikia sustabdyti.
- Niekada nedirbkite šiuo gaminiu, jei esate pavargę, sergate, vartojote alkoholio, narkotikų ar stiprių vaistų.
- Šiuo gaminiu pjaukite tik žolę ir nedideles piktžoles. Nenaudokite kitais tikslais.
- Turėkite omenyje, kad operatorius arba vartotojas yra atsakingas už nelaimingus atsitikimus arba kitiems asmenims ar jų turtui sukeltą pavojų.

### PARUOŠIMAS

- Naudodami šį įrenginį, dėvėkite pilną akių ir klausos apsaugą. Dirbant zonoje, kurioje gali kristi objektai, būtina dėvėti galvos apsaugos priemones.
- Klausos apsaugos priemonės gali kliudyti operatoriui išgirsti įspėjamuosius garsus.
- Ypatingą dėmesį reikia atkreipti į potencialius pavojus aplink darbo sritį ir joje.
- Dėvėkite sunkias ilgas kelnes, batus ir pirštines. Nedėvėkite dukšlių drabužių, trumpų kelnių, papuošalų ir atviros avalynės.
- Ilgus plaukus reikia susėti virš pečių lygio, kad neįsipainiotų į judančias dalis.
- Prieš naudodami įrenginį ir po bet kokio jo sutrenkimo patikrinkite, ar nėra pakenktų dalių. Nekokybišką jungiklį ar pakenktą arba susidėvėjusią dalį reikia tinkamai sutaisyti arba pakeisti. Dalis keisti gali tik įgaliotas techninio aptarnavimo centras.
- Patikrinkite, ar pjovimo įtaisas tinkamai sumontuotas ir pritvirtintas.
- Gaminio jokiū būdu negalima naudoti, jeigu nėra tinkamai pritvirtinti apsauginiai įtaisai, kreiptuvai ir rankenos.
- Prieš pradėdami naudoti elektrinius įrankius atidžiai apžiūrėkite darbo aplinką. Darbo plote negali mėtytis laidai, pagaliai, akmenys ir nuolaužos, kurie, įstrigę pjovimo įtaise, iš jo „iššauka“.

### BENDRIEJI SAUGOS ĮSPĖJIMAI

### ⚠ ĮSPĖJIMAS

**Perskaitykite visus saugos įspėjimus ir visą instrukciją.** Įspėjimų ir instrukcijų nesilaikymas gali sukelti elektros smūgį, gaisrą ir (ar) rimtus sužeidimus.

Saugokite šiuos įspėjimus ir nurodymus, kad galėtumėte vadovautis jais vėliau. Įspėjimuose nurodytas terminas „elektrinis įrankis“ reiškia elektrinio įrankio naudojimą, jį prijungus prie maitinimo tinklo (laidu) arba maitinimo baterijos (belaidis).

### DARBO APLINKA

- **Darbo vieta turi būti švari ir gerai apšviesta.** Nelaimingi atsitikimai įvyksta netvarkingose ar tamsiose vietose.
- **Nenaudokite elektrinių įrankių, jei šalia yra degios ir sprogti galinčios medžiagos (skysčiai, dujos ar dulkės).** Elektriniai įrankiai kibirkščiuoja ir gali uždegti dulkes arba garus.
- **Neleiskite vaikams ir šalia esantiems asmenims būti šalia įjungto elektrinio įrankio.** Išsiblaškę galite prarasti kontrolę.



**ELEKTROS SAUGA**

- Elektrinio įrankio kištukai turi atitikti kištukinį lizdą. Niekada nekeiskite kištuko. Su įžemintais (įžeminimo) elektriniais įrankiais niekada nenaudokite kištukų adapterių. Nepakeisti kištukai ir atitinkantys lizdai sumažina elektros smūgio pavojų.
- Stenkitės nesiliesti prie įžemintų ar įžeminimo paviršių (vamzdžių, radiatorių, grandinių / viryklių, šaldytuvų). Įžeminus savo kūną, padidės elektros smūgio pavojus.
- Gaminio negalima naudoti ar laikyti Lietuvoje ar drėgmėje. Dėl vandens, patekusio į elektrinį įrankį, padidėja elektros smūgio pavojus.
- Laidą naudokite pagal jo paskirtį. Niekada jo nenaudokite elektriniams įrankiams pernešti, tempti ar išjungti. Saugokite maitinimo laidą nuo karščio, tepalų, aštrių kampų ir judančių detalių. Pažeisti ar supainioti laidai padidina elektros smūgio galimybę.
- Dirbdami su elektriniu įrankiu lauke, naudokite tik lauke naudoti skirtus ilginamuosius laidus. Naudojant tinkamą laukui laidą sumažinama elektros smūgio tikimybė.
- Jei būtina naudotis elektriniu įrankiu drėgnomis oro sąlygomis, naudokite likutinės srovės prietaisą (RCD). Naudojant RCD sumažinama elektros smūgio tikimybė.

**ASMENINĖ SAUGA**

- Būkite budrūs ir stebėkite, ką darote, bei sąmoningai naudokite elektrinį įrankį. Nesinaudokite įrankiu, kai esate pavargę ar paveikti narkotinių medžiagų, alkoholio ar vaistų. Neatidumas darbo su elektriniu įrankiu metu gali sukelti sunkius sužeidimus.
- Naudokite asmeninės apsaugos įrangą. Visada dėvėkite akių apsaugos priemones. Atitinkamomis sąlygomis naudojamos apsaugos priemonės, pvz. dulkių kaukė, neslystantys apsauginiai batai, šalmas ar apsaugos ausims, sumažina asmeninių sužeidimų pavojų.
- Saugokitės, kad įrankis netyčia neįsijungtų. Įsitikinkite, kad prieš prijungiant įrankį prie maitinimo šaltinio ir (ar) baterijos, pakeliant ar nešant įrankį, jungiklis yra išjungtas. Nešant elektrinį įrankį, uždėjus pirštą ant jungiklio, arba elektrinį įrankį, kurio jungiklis yra įjungtoje padėtyje, gali įvykti nelaimingas atsitikimas.
- Prieš įjungiant elektrinį įrankį, išimkite derinimo raktą ar veržliaraktį. Jei juos paliksite pridėtus prie besisukančios įrankio dalies, galite susižaloti.
- Nepersitempkite. Visada tvirtai stovėkite ir išlaikykite pusiausvyrą. Tai padės geriau kontroliuoti įrankį netikėtų situacijų metu.
- Dėvėkite tik darbui tinkamus drabužius. Nedėvėkite laisvų, neprikludusių drabužių ir juvelyrinių dirbinių. Saugokite plaukus, drabužius ir pirštines

toliau nuo judančių dalių. Laisvi drabužiai, papuošalai ar ilgi plaukai gali įsipainioti į judančias įrankio dalis.

- Jei įrengti dulkių ištraukimo ir surinkimo įrenginiai, įsitikinkite, kad jie prijungti ir naudojami tinkamai. Su dulėmis susijusiam pavojui sumažinti naudokite dulkių surinkimą.

**ELEKTRINIO ĮRANKIO NAUDOJIMAS IR PRIEŽIŪRA**

- Nenaudokite per didelės jėgos. Pritaikykite tinkamą elektrinį įrankį atliekamam darbui. Naudojami pagal paskirtį pagamintą tinkamą elektrinį įrankį, darbą atliksite geriau ir saugiau.
- Nenaudokite elektrinio įrankio, jei jungiklio negalite įjungti ir išjungti. Jungikliu nevaldomas elektrinis įrankis yra pavojingas ir jį reikia taisyti.
- Prieš sureguliuojant įrankį, keičiant atsargines dalis ar sandėliavimą atjunkite laidą nuo maitinimo šaltinio ir (ar) akumulatoriaus. Tokios saugumo priemonės apsaugos nuo atsitiktinio įrankio įsijungimo.
- Laikykite elektrinį įrankį vaikams neprieinamoje vietoje ir neleiskite juo naudotis asmenims, kurie nemoka juo naudotis. Neįgudusiems asmenims elektriniai įrankiai yra pavojingi.
- Prižiūrėkite elektrinius įrankius. Patikrinkite judančių detalių nesutapimus, sukibimą, ar sumontuotos detalės nesulūžusios bei kitą būklę, kuri gali turėti neigiamos įtakos įrankio veikimui. Jei įrankis sugedęs, prieš naudojimą jį reikia suremontuoti. Nemažai nelaimingų atsitikimų įvyksta dėl netinkamai prižiūrimų elektrinių įrankių.
- Pjovimo įrankius reikia pastoviai galėsti ir valyti. Tinkamai prižiūrimi aštriais asmenims pjovimo įrankiai mažiau stringa ir juos lengviau valdyti.
- Naudokite elektrinius įrankius, atsargines detales, grąžtus ir t. t., pagal šias instrukcijas ir atsižvelgdami į darbo sąlygas bei turimą atlikti darbą. Naudokite elektrinį įrankį tik pagal tiesioginę paskirtį, kitaip sukelsite pavojingą situaciją.

**ĮRANKIO SU AKUMULIATORIUMI NAUDOJIMAS IR PRIEŽIŪRA**

- Pakartotinai kraukite prietaisą tik naudodami gamintojo nurodytą kroviklį. Vieno tipo akumulatoriui tinkantis įkroviklis gali kelti gaisro pavojų kitokiam akumulatoriui.
- Elektrinius įrankius naudokite tik su jiems skirtais baterijų paketais. Naudojant kitokius akumulatorius, galima susižeisti ar sukelti gaisrą.
- Kai akumulatorius nenaudojamas, jį laikykite toliau nuo kitų metalinių daiktų, pavyzdžiui, sąvaržėlių, monetų, raktų, vinių, varžtų ar kitų mažųjų metalinių daiktų, kurie vieną gnybtą gali sujungti su kitu. Sutrupinus vieną akumulatoriaus gnybtą su kitu, galima nusidegini arba sukelti gaisrą.
- Netinkamomis sąlygomis iš akumulatoriaus gali ištekėti skystis - nelieskite jo. Jei atsitiktinai

**prisilietėte - nuplaukite vandeniu.** Jei skysčio pateko į akis, papildomai kreipkitės į gydytoją.

- **Iš akumulatoriaus iškėjęs skystis gali nudeginti ar sukelti sudirginimus.**

#### TECHNINIS APTARNAVIMAS

- Elektrinį įrankį turi remontuoti tik kvalifikuoti darbuotojai, kurie naudoja identiškas atsargines dalis. Tai užtikrina elektrinio įrankio saugumą.

#### ⚠ ĮSPĖJIMAS

Niekada nenaudokite pjovimo priemonių arba priedų, kurių šiame vadove nėra nurodžiusi bendrovė „Ryobi“. Tai apima metalinių kelių dalių besisukančių grandinių ir rotorinių peilių naudojimą. Yra informacijos, kad šios detalės sulūžta jas naudojant ir operatoriui ar šalia esantiems asmenims sukelia rimtą sužalojimų pavojų.

#### ⚠ ĮSPĖJIMAS

Patikrinimas įrankiui nukritus ar po kitų smūgių: Atidžiai patikrinkite prietaisą, ar jis nepažeistas. Bet kurią apgadintą detalę leidžiama remontuoti arba keisti tik autorizotuame aptarnavimo centre.

#### LYNINIO TRIMERIO SAUGOS PERSPĖJIMAI

- Kai kuriuose regionuose taisyklės riboja įrenginio naudojimą. Kreipkitės patarimo į vietos įstaigą.
- Niekada neleiskite naudotis šiuo gaminiu vaikams ar asmenims, nesuspapazinusiems su šiomis instrukcijomis.
- Naudokite šį gaminį dienos šviesoje ar esant geram dirbtiniam apšvietimui.
- Venkite naudoti ant drėgnos žolės.
- Pjaudami, neikite atbulomis.
- Visada tvirtai stovėkite ir išlaikykite pusiausvyrą. Nepersitempkite. Persitempę galite prarasti pusiausvyrą. Nuolat atkreipkite dėmesį į stabilią stovėseną nuolaidžiose vietose. Visada eikite, niekada nebėkite.
- Nenaudokite žoliapjovės, kai gali žaibuoti.
- Gaminio negalima naudoti ar laikyti lietuje ar drėgmėje. Į įrenginį patekęs vanduo padidina elektros smūgio pavojų.
- Pašaliniai asmenys, vaikai ir gyvūnai turi būti 15 m atstumu nuo genėjimo vietos. Į apdirbamą plotą įėjus pašaliniam asmeniui, gaminį reikia sustabdyti.
- Pjovimo įtaisą laikykite žemiau juosmens.
- Niekada nedirbkite šiuo gaminiu, jei apgadintos apsaugos arba jei apsaugos neuždėtos.
- Nenaudokite metalinių juostų.
- Prieš įjungdami variklį nestovėkite per arti žoliapjovės, saugokite rankas ir kojas.

- Būkite atsargūs: išjungus variklį, pjovimo dalys kurį laiką dar sukasi.
- Saugokitės iš pjovimo įtaiso „iššaunamų“ objektų. Prieš pradėdami darbą, iš darbo ploto pašalinkite nuolaužas, tokias kaip nedidelė akmenukai, žvyras ir kiti pašaliniai daiktai. Vielos arba virvelės gali įsipainioti pjovimo įtaisuose.
- Išjunkite prietaisą iš atjunkite maitinimą prieš:
  - aptarnavimas
  - gaminio palikimas be priežiūros
  - įrenginio valymas arba kamščių naikinimas
  - priedų keitimas
  - patikrinkite, ar prietaisas neapgadintas po sutrenkimo į kitą daiktą
  - patikrinkite šį gaminį dėl apgadavimo, jei jis pradeda neįprastai vibruoti
  - techninės priežiūros atlikimas
  - geležtės pašalinimas
  - Geležtės įstatymas
- Maža geležtė, pritaisyta prie vejos apsauginio aptvaro, skirta reikiamu ilgiu apkarpyti išlindusias ataugas, kad būtų saugu ir gražu. Ji labai aštri: nepalieskite jos valydamiesi įrankį.
- Visada patikrinkite, ar ventiliavimo angos nėra užsikūšusios atliekomis.
- Patikrinkite, ar pjovimo įtaisas tinkamai sumontuotas ir pritvirtintas.
- Patikrinkite, ar visos apsaugos, deflektoriai, rankenos tinkamai ir patikimai pritvirtintos.
- Draudžiama kaip nors modifikuoti gaminį. Šada situacija parādās tikai tad, ja akumulatorus sakarst no instrumenta nepārtrauktas lietošanas.
- Keitimui naudokite tik gamintojo pjovimo lyną. Nenaudokite jokio kito pjovimo įtaiso.

#### KRŪMAPJOVĖS NAUDOJIMO SAUGOS TAIŠYKLĖS

- Kai įrenginys naudojamas kaip krūmapjovė, reikia vadovautis ne tik pirmiau pateiktomis taisyklėmis, bet ir šiais papildomais nurodymais.
- Uždėdami arba nuimdami geležtes aštriomis briaunomis mėvėkite storas apsaugines pirštines.
- Geležtės nebandykite priliesti ar sustabdyti, kai ji sukasi.
- Judanti geležtė gali sunkiai sužeisti. Tvirtai laikykite įrenginį abiem rankomis, kol geležtė visiškai nustos suktis.
- Visas pažeistas geležtes būtina pakeisti. Kiekvieną kartą prieš naudodami įrankį, patikrinkite, ar geležtė yra teisingai pritvirtinta ir tvirtai priveržta.
- Keitimui naudokite tik originalią gamintojo geležtę „Tri-Arc“. Nenaudokite jokio kito pjovimo įtaiso.
- Jokiu būdu nepjunkite storesnių kaip 13 mm (0.5 in.) koto skersmens augalų.

- Prie krūmaplovės tvirtinamas diržas. Rūpestingai sureguliuokite atramą, kad padėtų patogiai atremti prietaiso svorį ir kabočių jūsų dešinėje pusėje.
- Nustatykite greitai atleidimo mechanizmą ir pasipraktikuokite, kaip juo naudotis prieš pradėdami genėti. Teisingai naudojant šį įtaisą, galima apsaugoti nuo sužeidimų įvykus avarijai. Jokiu būdu nemūvėkite palaidų drabužių virš papildomos atramos ar kitaip nekliudykite spartaus atpalaidavimo mechanizmo.
- Prieš padėdami įrankį saugoti ar jį pervežant, geležtę visada uždenkite apsauginiu gaubtu. Prieš pradėdami naudoti įrankį, visada nuimkite geležtės apsauginį gaubtą. Jei geležtės apsauginis gaubtas nenuimtas, geležtei pradėjus sukintis, gaubtas gali būti nusviestas.
- Kai su šiuo gaminiu naudojama geležtė, būkite ypač atsargūs. Geležtės sviedimas yra tokia reakcija, kuri gali pasireikšti, kai besisukanti geležtė prisiliečia prie objekto, kurio ji negali perpjauti. Dėl tokio kontakto geležtė gali akimirksniui nustoti sukintis ir staiga sviesti įrankį nuo objekto, į kurį ji atsitrenkė. Tokia reakcija gali būti gana smarki, dėl kurios dirbantysis asmuo gali įrankio nesuvaldyti. Geležtės sviedimas gali pasireikšti be įspėjimo, jei geležtė užsikabina, ji sulėtėja ar yra suvaržoma. Didesnė tikimybė, kad tai gali atsitikti yra dirbant tokiose vietose, kuriose sunku matyti pjaunamą medžiagą.
- Kad darbą atlikti būtų lengviau ir saugiau, žolę pradėkite pjauti iš dešinės į kairę. Susidūrus su netikėtu objektu ar medžio gabalu, tokie veiksmai gali sumažinti geležtės sviedimo reakciją. Šį prietaisą visada būtina valdyti abiejomis rankomis.

### GABENIMAS IR LAIKYMAS

- Prieš padedant į sandėlį arba išgabenant, kultivatorių reikia sustabdyti ir palaukti, kol jis atšąs.
- Nuo įrankio nuvalykite visas pašalines medžiagas. Jeigu geležtė sumontuota, uždenkite ją geležtės apsaugu.
- Prietaisą laikykite visada išjungę iš maitinimo lizdo ir suvynioję laidą. Laikykite vėsioje, sausoje, gerai vėdinamoje ir vaikams nepasiekiamoje vietoje. Nelaikykite jo arti nuo tokių koroziją sukeliančių reagentų kaip cheminės sodininkystės medžiagos arba druskos, naudojamos prieš apledėjimą. Nelaikykite lauke.
- Paruošiant gabenimui, gaminį reikia pritvirtinti, kad nejudėtų ir nenukrsitų, nes priešingu atveju jis gali sužaloti žmones arba sugesti pats.

### PRIEŽIŪRA

#### ⚠ ĮSPĖJIMAS

Keitimui naudokite tik originalias gamintojo atsargines dalis. Neoriginalios dalys gali būti sužeidimų ir įrenginio blogo veikimo priežastis, ir dėl to gali būti anuluotas garantinis pažymėjimas.

#### ⚠ ĮSPĖJIMAS

Aptarnavimą atlikti būtina itin atidžiai, todėl rekomenduojame, kad techninę apžiūrą vykdytų kvalifikuotas specialistas. Techninei apžiūrai atlikti patariame gražinti prietaisą į artimiausią įgaliotą paslaugų teikimo tarnybą. Sugedusias detales keiskite tik originaliomis detalėmis.

- Prieš atlikdami bet kokius techninės priežiūros ar valymo darbus, išjunkite įrenginį ir išimkite akumuliatorių paketą.
- Prietaisą galite reguliuoti ir remontuoti, kaip aprašyta šiame naudotojo vadove. Dėl kitų remonto darbų kreipkitės į įgaliotą techninio aptarnavimo centrą.
- Seną stygą keisti tik nailono pluošto styga, kurios skersmuo nurodytas šio vadovo specifikacijų lentelėje.
- Ištiesus naują pjovimo įtaisą lyną, prieš pradėdami darbą, reikia būtina gražinti įrenginį į jo įprastą darbo padėtį.
- Po kiekvieno naudojimo, išvalykite įrenginį sausu švelnaus audinio gabalėliu. Bet kurią apgadintą detalę leidžiama remontuoti arba keisti tik autorizuotame aptarnavimo centre.
- Dažnai tikrinkite visas veržles, varžtus ir sraigtus, ar jie tvirtai laikosi ir ar gaminyje yra saugios darbo būklės stovyje.

### ŠALUTINIAI PAVOJAI

Net naudojant gaminį pagal nurodymus, neįmanoma visiškai atmesti visų pavojaus veiksnių. Gali kilti toliau nurodyti pavojai, todėl operatorius turi būti itin dėmesingas, kad išvengtų šių dalykų:

- Vibracijos sukeltas sužalojimas. Laikyti gaminį už tam skirtų rankenų ir riboti darbo laiką bei buvimą sveikatai žalingoje aplinkoje.
- Klausos pakenkimas dėl buvimo triukšme. Dėvėkite akių apsaugą ir ribokite poveikio trukmę.
- Išsviestų nuolaužų sukeltas sužeidimas. Būtina dėvėti akių apsaugą.

Sąlytis su pjovimo įtaisais. Kai gaminyje nenaudojamas, būtina turi būti uždėti geležčių gaubtai. Rankas ir kojas reikia visada laikyti atokiai nuo geležčių.

Naudojant krūmaplovę galite patirti atatrakos jėgos poveikį. Tinkamas valdymas užtikrinamas tik abiem rankomis laikant įrenginį už atitinkamų rankenų. Perskaitykite šioje

instrukcijoje pateiktus nurodymus, padėsiančius sumažinti atatranksos pavojų.

Krintančių objektų pavojus: Pjaunant krūmus, jei yra krintančių daiktų pavojus, reikia dėvėti galvos apsaugą.

### RIZIKOS MAŽINIMAS

Nustatyta, kad rankinių įtaisų keliama vibracija kai kuriems asmenims paskatina Reino sindromo vystymąsi. Šios ligos požymiai yra pirštų dilgčiojimas, nutirpimas ir pabalimas, paprastai pasireiškiantis nuo šalčio. Šie simptomai vystosi dėl paveldimų veiksnių, nesisaugant nuo šalčio ir drėgmės, dėl mitybos, rūkymo ir darbo praktikos. Operatorius gali imtis šių priemonių, kurios gali sumažinti vibracijos poveikį:

- Apsirenkite kuo šilčiau šaltu oru. Naudojant gaminį, reikia mūvėti pirštines, kad plaštakos ir riešai neatšaltų. Turime pranešimų, kad Raynaud sindromas labiausiai vystosi nuo šalto oro sąlygų.
- po darbo kiekvieną kartą pasportuokite, kad pagerėtų kraujo apytaka;
- dažnai darykite darbo pertraukas. Apribokite darbo laikotarpį per dieną.

Jei jums pasireiškia kokie nors šios būklės simptomai, nedelsdami nutraukite darbą ir kreipkitės į gydytoją.

### ⚠ ĮSPĖJIMAS

Ilgiau naudojant, įrankis kelia sužeidimų pavojų ir apsunkina darbą. Ilgiau naudojant įrankius, reikia reguliariai daryti pertraukas.

### PAŽINKITE SAVO GRANDININĮ PJŪKLĄ

Žr. 154 psl.

1. Viršutinis strypas
2. Rankena
3. ĮJUNGIMO/IŠJUNGIMO jungiklis
4. Perjungiklis
5. Veleno mova
6. Apatinis velenas
7. Žolės kreiptuvus
8. Nupjovimo geležtė
9. Pjovimo linija
10. Amortizatorius
11. Ritės dangtelis
12. Ritė
13. Kilpelė
14. Užrakinimo fiksatorius
15. Kintamojo greičio spragtukas
16. Priekinė rankena
17. Geležtės apsauginis gaubtas
18. „Tri-Arc“ geležtė
19. Geležtės apsauginis gaubtas
20. Baterija
21. Baterijos užšovo mygtukas
22. Įkroviklio kabelis
23. Įkroviklis

### SIMBOLIAI ANT ĮRENGINIO



Pranešimas apie saugumą



Prieš naudodami įrenginį, atidžiai perskaitykite instrukcijas, laikykitės įspėjimų ir saugos nurodymų.



Dėvėkite akių, ausų ir galvos apsaugą.



Naudodamiesi šiuo gaminiu visada avėkite avalynę neslystančiais padais.



Mūvėkite neslystančias, tvirtas apsaugines pirštines.



Nenaudoti lyjant ar esant drėgnoms sąlygoms.



Šio gaminio negalima naudoti su pjūkle dantyta geležte.



Sukimosi kryptis ir didžiausias pjovimo priedo veleno sukimosi greitis.



Traukti:  
Greito atleidimo fiksuatorius



Saugokitės išmetamų arba skrendančių objektų. Įsitikinkite, kad atstumas tarp gaminio ir pašalinių asmenų yra saugus.



Saugokitės išmetamų arba skrendančių objektų. Visi pašaliniai asmenys, ypač vaikai ir naminiai gyvūnai, turi būti ne arčiau kaip 15 m nuo darbo vietos.



Laikykite rankas atokiai nuo lyno nupjovimo geležtės.



Saugokitės geležtės smūgio.



Su šiuo prietaisu galima naudoti geležtę „Tri-Arc“, ji tinka sumedėjusioms piktžolėms ir vijokliniams augalams pjauti



Elektrinių produktų atliekos neturi būti metamos kartu su namų ūkio atliekomis. Prašome perdirbinti jas ten, kur yra tokios perdirbimo bazės. Dėl perdirbimo patarimo kreipkitės į savo vietinę savivaldybę ar pardavėją.



Šis prietaisas atitinka visas reglamentuotas normas ES šalies, kur jis buvo nupirktas.



„EurAsian“ atitikties ženklas



Ukrainos atitikties ženklas



Krūmapjovės garantuotasis garso lygis



Nešiojamosios žoliapjovės garantuotasis garso lygis

## SIMBOLIAI VADOVE



Pajunkite į maitinimo lizdą



Išjunkite iš maitinimo lizdo



Detalės arba priedai yra parduodami atskirai



Pastaba

Šie signaliniai žodžiai yra skirti nurodyti su prietaiso naudojimu susijusio pavojaus lygį.

### ⚠ PAVOJUS

Reiškia ypač pavojingą padėtį, kurios neišvengus bus patirti sunkūs ar net mirtini sužeidimai.

### ⚠ ĮSPĖJIMAS

Reiškia potencialiai pavojingą situaciją, kurios neišvengus galimi sunkūs ar net mirtini sužeidimai.

### ⚠ ATSARGIAI

Reiškia potencialiai pavojingą situaciją, kurios neišvengus galimi lengvi ar vidutinio sunkumo sužeidimai.

### ATSARGIAI

Be įspėjamųjų simbolių

Reiškia nuosavybės žalos tikimybę.

Teie akutoitega võsalõikuri ja murutrimmeri konstrueerimisel on peaeesmärgiks olnud toote ohutus, tootlikkus ja töökindlus.

### OTSTARBEKOHANE KASUTAMINE

Jõhvtrimmer/võsalõikur on mõeldud kasutamiseks täiskasvanutele, kes on lugenud läbi selles kasutusjuhendis olevad juhised ja hoiatused ning saavad neist aru, ja kes suudavad oma tegevuse eest vastutada. See seade on ette nähtud kasutamiseks vaid väljaspool ruume, hästiventileeritud kohas. Ohutuse tagamise eesmärgil peab töötamise ajal hoidma tööriista kahe käega, et seda saaks piisavalt kontrollida.

Trimmeri peaga (ja sobiva kaitsega) toode on mõeldud kõrge rohu, umbrohu ja sarnaste taimede eemaldamiseks maapinnalt või maapinna lähedalt. Koos Tri-Arc™ lõiketeraga (ja vastava kaitsekattega) saab sellega lõigata ka põõsaid.

Lõiketaspind peab olema maapinnaga ligikaudu paralleelne. See seade ei ole ette nähtud hekkide, põõsaste või muude taimede lõikamiseks lõiketaspinnas, mis ei ole maapinnaga paralleelne.

#### ⚠ HOIATUS

Seadme kasutamisel tuleb järgida ohutusreegleid. Teie ja kõrvalseisjatele ohutuse tagamiseks lugege käesolevaid juhiseid enne seadme kasutamist läbi. Hoidke juhend edaspidiseks kasutamiseks alles.

#### ⚠ HOIATUS

Seade ei ole ette nähtud kasutamiseks laste või nende isikute poolt, kellel on piiratud füüsilised, vaimsed või sensoorsed võimed. Laste järele tuleb valvata, et nad seadmega ei mängiks.

### VÄLJAÕPE

- Ärge laske toodet kasutada lastel või inimestel, kes ei ole käesoleva juhendiga tutvunud.
- Lugege juhised hoolikalt läbi. Õppige tundma kõiki seadme juhtseadiseid ja kasutusnõudeid.
- Hoidke trimmimise tööpiirkond vaba kõrvalseisjatest, lastest ja lemmikloomadest. Kui keegi tööpiirkonda siseneb, siis seiske kultivaator.
- Ärge kasutage toodet väsinuna või haigena ega siis, kui olete uimastite, alkoholi või ravimite mõju all.
- Kasutage toodet vaid rohu ja kerge umbrohu lõikamiseks. Ärge kasutage ühekski muuks otstarbeks.
- Pidage meeles, et operaator või kasutaja on vastutav õnnetuste või ohuolukordade eest, mis võivad puudutada teisi inimesi või nende vara.

### ETTEVALMISTUSTOIMINGUD

- Kandke selle seadme kasutamisel kaitseprille ja kõrvaklappe. Töötamisel kohtades, kus on

allakukkivate esemete oht, tuleb kanda kiivrit.

- Kuulmiskaitse võib takistada kasutajal kuulda hoiatussignaale.
- Pöörake tähelepanu tööpiirkonnas ja selle ümbruses olevatele ohtudele.
- Kandke tugevast riidest pikki pükse, saapaid ja kindaid. Ärge kandke lõtvu riideid, lühikesi pükse, mistahes ehteid ega töötage paljajalu.
- Kinnitage pikad juuksed õlgadest kõrgemale, et vältida nende takerdumist liikuvate osade vahele.
- Enne töötamise alustamist kontrollige, et seadme osad ei ole vigastatud. Vigastatud lüliti ja vigastatud osad tuleb lasta pädeval hooldajal parandada või asendada.
- Veenduge, et lõikeorgan on õigesti paigaldatud ja kindlalt kinnitatud.
- Ärge hakake masinat enne kasutama, kui olete veendunud, et kõik kaitсед, suunajad ja käepidemed on õigesti ja ohutult kinnitatud.
- Hinnake keskkonda, kus töötate. Hoidke töökoht vaba traatidest, vaiadest, kividest ja prahist, mis võivad lõikeorganiga kokku puutudes välja paiskuda.

### OHUTUSE ÜLDEESKIRJAD

#### ⚠ HOIATUS

**Lugege kõik ohuhoiatused ja juhised läbi.** Hoiatuste ja juhiste eiramisel on oht saada elektrilööki või raskeid kehavigastusi ning/või põhjustada tulekahju.

Hoidke kõik hoiatused ja juhised tulevikus vaatamiseks alles. Hoiatustes kasutatav termin „elektritööriist“ tähendab mehaanilist tööriista, mis saab toidet elektrivõrgust (juhtmega) või akust (ilma juhtmata).

### TÖÖKOHT

- Hoidke töökoht puhas ja hästi valgustatud. Korrastamata ja pimedas kohas töötamisel võivad juhtuda õnnetused.
- Ärge kasutage elektritööriistu plahvatusohtlikes keskkondades, näiteks kergestisüttivate vedelike ja gaaside läheduses ega tolmuses kohas. Elektritööriistad tekitavad sädemeid, mis võivad tolmust või auru süüdata.
- Elektritööriistaga töötamisel hoidke lapsed ja kõrvalseisjad eemal. Tähelepanu hajumise korral võib teil kontroll kaduda.

### ELEKTROHUTUS

- Elektritööriistade pistikud peavad pistikupesasse sobima. Ärge püüdke pistiku konstruktsiooni mingil moel muuta. Ärge ühendage maanduskontaktiga (kordusmaandusega) elektritööriistu elektrivõrku läbi vahepistmike. Pistiku ja pistikupesasse konstruktsiooni muutmise korral tekib elektrilöögi oht.
- Hoiduge kehalisest kontaktist maandatud

pindadega, näiteks torud, radiaatorid, elektripliidid ja külmikud. Kehaosade maandamisel suureneb elektrilöögi saamise oht.

- **Ärge jätke kultivaatorit vihma kätte või märga kohta.** Vee sattumisel elektrilise tööriista sisemusse suureneb elektrilöögi saamise oht.
- **Ärge kasutage toitejuhet mittesihipäraselt.** Ärge kasutage toitejuhet tööriista kandmiseks, vedamiseks või pistikupesast väljatõmbamiseks. Hoidke toitejuhe eemal kuumusest, õlist, teravatest servadest ja liikuvatest osadest. Vigastatud või keerdsu toitekaablid suurendavad elektrilöögi ohtu.
- **Väljas töötamisel kasutage välistingimustes kasutamiseks sobivaid pikendusjuhtmeid.** Välistingimustele sobiva pikendusjuhtme kasutamine vähendab elektrilöögi ohtu.
- **Kui elektritööriistaga töötamine niisketes oludes on vältimatu, siis kasutage rikkevoolu-kaitselülitiga (RCD) kaitsitud vooluvõrku.** RCD kasutamine vähendab elektrilöögi ohtu.

#### ISIKUKAITSE

- **Mehaanilise tööriistaga töötamisel jälgige tööpiirkonda ja kasutage sealjuures tervet mõistust.** Ärge kasutage tööriista siis, kui te olete väsinud, uimastite, alkoholi või ravimite mõju all. Hetkeline tähelepanu hajumine tööriista kasutamise ajal võib põhjustada raske kehavigastuse.
- **Kasutage isikukaitsevahendeid.** Kui tööolud seda nõuavad, tuleb kasutada isikukaitsevahendeid, näiteks tolmu maski, libisemiskindlaid turvajalatsid, kiivrit ja kuulmiskaitsevahendeid, mis kehavigastuste riski vähendavad.
- **Vältige tahtmatut käivitumist.** Enne toitejuhtme või aku ühendamist, tööriista kättevõtmist või teisaldamist veenduge, et tööriista lüliti on välja lülitatud. Õnnetuste vältimiseks ärge hoidke tööriista kandmise ajal sõrme lülitisnupul ega ühendage tööriista toitevõrku siis, kui lüliti on sisse lülitatud.
- **Enne tööriista sisselülitamist eemaldage sellel reguleerivõti või mutrivõti.** Elektritööriista külge jäetud reguleerivõti või mutrivõti võivad põhjustada raske kehavigastuse.
- **Ärge kummardage.** Hoidke end pidevalt jalgadel ja tasakaalus. Siis on teil ootamatu olukorra tekkimisel tööriista üle parem kontroll.
- **Kandke tööks sobivat riietust.** Ärge kandke lõtvu riideid ja ehteid. Hoidke juuksed, riietusesemed ja töökindad liikuvatest osadest eemal. Lõdvad riietusesemed, ehted ja pikad juuksed võivad haakuda liikuvate osade külge.
- **Kui tööriistal tuleb kasutada tolmu eraldamis- või kogumisseadisi, siis veenduge, et need on ühendatud ja nõuetekohases kasutuses.** Tolmukoguri kasutamisega saab vähendada tolmu seotud ohtusid.

#### ELEKTRITÖÖRIISTA KASUTAMINE JA KORRASHOID

- **Ärge kasutage töötamisel liigset jõudu.** Kasutage tööks sobivat elektritööriista. Õigesti valitud elektritööriist töötab ettenähtud võimsuspiirkonnas paremini ja ohutumalt.
- **Ärge kasutage elektritööriista, kui lüliti ei lülita seda sisse ja välja.** Lülitiga lülitamatu tööriista kasutamine on ohtlik ja see tuleb lasta ära remontida.
- **Enne tööriista reguleerimist, tarvikute vahetamist või houstumist võtke toitejuhe pistikupesast välja ja/või eemaldage aku.** Need ennetavad ohutusmeetmed vähendavad tööriista tahtmatu käivitumise riski.
- **Hoidke kasutuses mitteolevaid elektritööriista lastele kättesaamatus kohas ja ärge lubage elektritööriista mitte tundvaid või kasutusjuhendiga mitte tutvunud isikuid elektritööriista kasutada.** Oskamatu kasutaja käes olev elektritööriist on ohtlik.
- **Mehaaniliste elektritööriistade hooldus.** Kontrollige liikuvate osade mittesentreeritust ja kinnitumist, osade vigastusi ning tehke kindlaks muud seisundid, mis võivad mõjustada elektritööriista tööd. Kui mõni osa on vigastatud, siis laske elektritööriist enne kasutamist ära parandada. Halvasti hooldatud elektritööriistad põhjustavad palju õnnetusi.
- **Hoidke lõiketerad teravad ja puhtad.** Teravate lõiketeradega ja nõuetekohaselt hooldatud lõikeriistad jäävad harvemini kinni ning neid on kergem kontrolli all hoida.
- **Tööriistade, tarvikute, otsakute ja muude lisaseadmete kasutamisel juhenduge nende kasutusjuhenditest, võttes arvesse tehtavat tööd ja tööolusid.** Tööoperatsiooniks mitte ettenähtud tööriista kasutamine võib tekitada ohtliku olukorra.

#### AKUTÖÖRIISTA KASUTAMINE JA KORRASHOID

- **Laadige akut ainult tootja poolt ettenähtud laadijaga.** Akulaadaja, mis sobib ühele akupaketile võib põhjustada tulekahju, kui seda kasutada teise akupaketiga.
- **Kasutage akutööriista ainult selleks ettenähtud akudega.** Muude akupakettide kasutamine võib põhjustada kehavigastusi või tulekahju.
- **Sel ajal kui akupakett ei ole kasutusel, hoidke seda eemal metallesemetest nagu kirjaklambrid, mündid, võtmed, naelad, kruvid ja muudest väikestest metallobjektidest, mis võivad akuklemmid lühistada.** Aku klemmide lühistamine võib põhjustada põletust või tulekahju.
- **Aku vale kasutamise korral võib akuedelik välja voolata - vältige sellega kokkupuudet.** Akuedeliku nahale sattumisel peske see veega maha. Akuedeliku silma sattumisel pöörduge arsti poole.
- **Väljapritsvitud akuedelik võib tekitada nahaärritust või -põletust.**



**TEENINDAMINE**

- Laske oma elektrilist tööriista hooldada väljaõppinud teenindustöötajal; remontimisel tohib kasutada ainult originaalvaruosi. See tagab elektriseadme ohutuse.

**⚠ HOIATUS**

Ärge kunagi kasutage löikevahendeid või tarvikuid, mida ei ole selles kasutusjuhendis Ryobi poolt nimetatud. See hõlmab metallist lülidega kette ja muruõhutaja terasid. Kasutamisel kipuvad need tarvikud purunema ja kujutavad endast raskete vigastuste ohtu tööriista kasutajale või kõrvalseisjatele.

**⚠ HOIATUS**

Kontrollige pärast mahakukkumist või saadud lööki: Kontrollige saag hoolikalt üle ja tehke kindlaks võimalikud rikked ja vigastused. Vigastatud osad tuleb lasta pädeval hooldajal parandada või asendada.

**JÕHVTRIMMERI OHUTUSEESKIRJAD**

- Mõnedes piirkondades on seadused, mis piiravad selle toote kasutamist. Lisateavet saate kohaliku omavalitsusest.
- Ärge laske toodet kasutada lastel või inimestel, kes ei ole käesoleva juhendiga tutvunud.
- Kasutage toodet päevavalguse või hea tehisvalguse korral.
- Vältige märjas rohus kasutamist.
- Ärge liikuge seadme kasutamisel selg ees.
- Hoidke kindlat jalgade asendit ja tasakaalu. Ärge kummardage. Kummardamine võib põhjustada tasakaalu kadumist. Kallakul töötamisel tagage endale kindel jalgealune. Töötamisel kõndige, ärge kunagi jookske.
- Ärge kasutage seadet kui on äikese oht.
- Ärge jätkke kultivaatorit vihma kätte või märga kohta. Vee sattumisel seadme sisemusse suureneb elektrilöögi saamise oht.
- Hoidke kõik kõrvalseisjad, lapsed ja lemmikloomad tööalalt vähemalt 15 meetri kaugusele. Kui keegi tööpiirkonda siseneb, siis seisake kultivaator.
- Hoidke löikepead allapoole võõd.
- Ärge kunagi kasutage toodet kui kaitse on vigastatud või ei ole oma kohale paigaldatud.
- Ärge paigaldage metallist asendustera.
- Hoidke jalad ja käed alati eemal löikepeast ja eriti siis, kui lülitate mootori sisse.
- Ettevaatust! Lõiketera liigub edasi ka siis, kui mootor on välja lülitatud.
- Hoidke eemale löikeorgani poolt ülespaisatud esemete eest. Enne töö alustamist puhastage tööpiirkond väikestest kividest, kruusast ja muust lahtisest

materjalist. Traadid ja nõõrid võivad takerduda lõiketeradesse.

- Lülitage seade välja või ühendage vooluvõrgust lahti enne kui teete järgmist:
  - teenindamine
  - toote jätmisel järelevalveta
  - puhastamine ja ummistuse kõrvaldamine
  - lisatarvikute vahetamine
  - kõikide vigastuste ülekontrollimine pärast lööki mõne eseme vastu
  - kõikide vigastuste ülekontrollimine kui toode hakkab ebanormaalselt vibreerima
  - hooldustööde tegemine
  - lõiketera eemaldamist
  - tera paigaldamist
- Väike lõiketera, mis on kinnitatud suunaja külge, on ette nähtud vastpaigaldatud jõhvi lõikamiseks õigesse mõõtu, et tagada ohutus ja tootlus. See on väga terav, ärge seda puhastamise ajal puudutage.
- Veenduge, et ventilatsioonivad on kogu aeg prahist puhtad.
- Veenduge, et löikeorgan on õigesti paigaldatud ja kindlalt kinnitatud.
- Veenduge, et kõik kaitse, suunajad ja käepidemed on õigesti ja ohutult kinnitatud.
- Ärge muutke toodet mitte mingil viisil. Selline olukord tekib ainult juhul, kui aku kuumeneb tulenevalt tööriista pidevast kasutamisest.
- Kasutage ainult tootja poolt tarnitud jõhvi. Ärge kasutage mingit muud löikeorganit.

**VÕSALÕIKURI OHUTUSEESKIRJAD**

- Lisaks eespool olevatele eeskirjadele, on need lisajuhised asjakohased, kui toodet kasutatakse võsaloikurina.
- Lõiketerade paigaldamisel ja eemaldamisel kasutage kaitsekindaid; lõiketeradel on teravad servad.
- Ärge püüdke pöörlevat lõiketera puudutada või mingil moel peatada.
- Liikuv tera võib põhjustada raskeid vigastusi. Säilitage vajalik kontroll tööriista üle, hoides seda mõlema käega, kuni tera on lõplikult pöörlemise lõpetanud.
- Vigastatud lõiketera tuleb igal juhul asendada. Alati enne kasutamist veenduge, et tera on nõuetekohaselt paigaldatud ja kindlalt kinnitatud.
- Kasutage ainult tootja varuosadena tarnitud lõiketerasid Tri-Arc. Ärge kasutage mingit muud lõikeorganit.
- Ärge kunagi lõigake materjali, mille läbimõõt on üle 1.25 cm (0.5 in.).
- Võsaloikur on varustatud kanderihmaga. Reguleerige rakmed enda jaoks hoolikalt välja, nii et need on mugavad, kannavad ja hoiavad seadet teie paremal küljel.

- Tehke kindlaks, kuidas kasutada kiirvabastusmehhanismi ja proovige seda enne kasutamist alustamist. Selle õige kasutamine võimaldab ära hoida hädaolukorras tekkida võiva raske kehavigastuse. Ärge mingil juhul kandke rakmete peal rietusesemeid, muidu piirate juurdepääsu kiirvabastusmehhanismile.
- Enne seadme hoiulepanekut või transportimise alustamist katke lõiketera selleks ettenähtud kaitsekatega. Võtke tera kaitsekate enne seadme kasutamist maha. Kui seda ei eemaldata, paiskub terakaitse lõiketera pöörlema hakkamisel välja.
- Seadme kasutamisel lõiketeraga olge äärmiselt ettevaatlik. Kui tera pörkub millegi vastu, mida ta ei suuda läbi lõigata, siis tekib pörkumisreaktsioon. Selline kokkupuude võib põhjustada lõiketera viivitamatu seisumise ja seade võib ootamatult pörkuda objektist, mille vastu see löögi sai. See reaktsioon võib olla nii tugev, et kasutaja kaotab seadme üle kontrolli. Tera pörkumine võib ilmnedä ilma hoiatamata kui lõiketera rebeneb, seisukub või kinni jääb. See võib suurema tõenäosusega ilmnedä kohtades, kus mahalõigatavat materjali on raske näha.
- Lõikamise kergendamiseks ja ohutuse tagamiseks tuleb umbrohtu lõigata paremalt vasakule. Juhul, kui on oodata ettearvamatuid objekte või kändusid, võib nimetatud tööviis minimeerida vastulöögi reaktsiooni. Hoidke töötamise ajal tööriistast alati kahe käega kinni.

### TRANSPORTIMINE JA HOIUSTAMINE

- Enne hoiule paneku või teisaldamise alustamist seisake mootor.
- Puhastage seade kõikidest võõrkehadedest. Kui lõiketera on paigas, katke see kaitsekatega.
- Hoiustamise ajaks ühendage seade toitevõrgust välja ja kerige juhe kokku. Hoidke kuivas ja hästi ventileeritud kohas, mis on lastele juurdepääsmatu. Hoidke kettsaagi eemal söövitavatest ainetest nagu aiakemikaalid ja jäätõrjevahendid. Ärge hoiustage õues.
- Vedamise ajal tõkestage kultivaator liikuma hakkamise ja alla kukkumise vastu, et vältida kehavigastusi ja masinaosade kahjustamist.

### HOOLDUS

#### ⚠ HOIATUS

Kasutage ainult tootja originaalvaruosi, tarvikuid ja tööorganeid. Selle nõude eiramine võib põhjustada, kehavigastuse, tootluse languse ja teile antud garantii tühistamise.

#### ⚠ HOIATUS

Hooldamine nõuab ülimalt korrrashoidu ja teadmisi ning tuleks teostada ainult kvalifitseeritud hooldustehnikute poolt. Hoolduseks soovitame me viia toote remontimiseks lähimasse vo lit atud teenind uskesse . Kui hooldate, kasutate ainult identseid varuosi.

- Enne hooldus- ja puhastustöid lülitage tööriist välja ja eemaldage aku.
- Lubatud on teha ainult selles kasutusjuhendis kirjeldatud reguleerimis- ja parandustoiminguid. Muude remonditööde tegemiseks võtke ühendust volitatud hooldajaga.
- Asendusjõhvina kasutage vaid sellise läbimõõduga nailonjõhvi, mis on esitatud selle kasutusjuhendi tehniliste andmete tabelis.
- Pärast uue trimmerijõhvi paigaldamist seadke trimmer enne käivitamist tavatöösandisse.
- Pühkige trimmer pärast iga kasutuskorra pehme kuiva lapiga puhtaks. Vigastatud osad tuleb lasta pädeval hooldajal parandada või asendada.
- Kontrollige kõiki mutreid, polte ja kruvisid sagedaste intervallidega õige pinguloleku suhtes, et veeududa toote ohutus töökorras olemises.

#### JÄÄKRISKID

Isegi siis, kui kultivaatorit kasutatakse kirjeldatud viisil, ei ole võimalik kõrvaldada kõiki jääkriskide mõjureid. Töötamise ajal võivad tekkida järgmised ohud, millele operaator peab pöörama erilist tähelepanu.

- Vibratsioonist põhjustatud kehavigastus. Hoidke kultivaatorit kinni selleks ette nähtud käepidemetest ja piirake tööaega ning vibratsiooniga kokkupuudet.
- Müraga kokkupuutumine võib kuulmist kahjustada. Kandke kuulmiskaitsevahendeid ja piirake müraga kokkupuudet.
- Väljapaiskunud prahist põhjustatud vigastus. Kandke alati silmakaitsevahendeid.

Kokkupuude lõikeorganitega. Kui seade ei ole kasutusel, siis veeuduge, et terakaitse on paigaldatud. Hoidke käed ja jalad lõiketeradest kogu aeg eemal.

Võsalõikuri kasutamisel võib esineda tagasilööök. Tagage vajalik kontroll, hoides mõlema käega käepidemetest. Lugege läbi ja järgige selles kasutusjuhendis toodud juhiseid, et vähendada tagasilöögi ohtu.

Kukkuvate esemete oht: Pöösaste lõikamise ajal kandke kaitsekiivrit, kui ilmneb mingi kukkuva objekti oht.

**RISKI ALANDAMINE**

Teadaolevalt võib käsitööriistade kasutamine põhjustada mõnedel inimestel seisundit, mida nimetatakse Raynaud' sündroomiks. Sümptomidena võib ilmuda sõrmede tuimus ja valkjaks muutumine, mis tavaliselt ilmneb külmas töötamisel. Nende sümptomite puhul tuleb hoiduda külmast ja niiskusest, dieedist ning suitsetamisest ja kasutada õigeid töövõtteid. Vibratsiooni mõju vähendamiseks tuleb rakendada järgmisi abinõusid.

- Külma ilmaga hoidke oma keha soe. Kandke kindaid, et hoida oma käed ja randmed soojad. Uuringud näitavad, et Raynaud's Syndrome ilmneb põhiliselt külma ilmaga.
- Pärast külmas töötamist tehke harjutusi, et verevarustust kiirendada.
- Tehke regulaarselt töovaheaegasid. Piirake tööperioodi pikkust.

Kui ilmnevad haigustunnused, lõpetage kohe töö ja pöörduge arsti poole.

**⚠ HOIATUS**

Seadme pikaajalisel kasutamisel võite saada kehavigastusi ja varasemad vigastused võivad süveneda. Seadme kasutamisel pika aja jooksul tuleb teha korralisi vaheaegasid.

**ÕPPIGE OMA TOODET TUNDMA**

Vt leht 154.

1. Ülemine vars
2. Juhtraud
3. SISSE/VÄLJA lüliti
4. Päästik
5. Varre ühendussõlm
6. Alumine vars
7. Rohusuunaja
8. Mahalõiketera
9. Lõikejõhv
10. Lööketeeandega lõikepea
11. Pooli kate
12. Jõhvi pool
13. Jõhvi silm
14. Lahtilukustuse nupp
15. Kiirusregulaatori päästik
16. Eesmine käepide
17. Terakaitse
18. Tri-Arc-lõiketera
19. Lõiketera kaitsekate
20. Aku paketi
21. Aku riivi nupp
22. Laadija juhe
23. Laadija

**MASINAL OLEVAD SÜMBOLID**

Ohutusala teave



Enne seadmega töö alustamist lugege kõik juhised hoolikalt läbi ja pidage kinni hoiatustest ja ohutusega seotud juhistest.



Kandke silma- ja kuulmiskaitsevahendeid ning kiivrit.



Kandke selle toote kasutamisel alati libisemiskindlaid turvajalatsid.



Kandke libisemiskindlaid, tugevdatud kaitsekindaid.



Ärge jätke vihma kätte või kasutage niiskes kohas.



See toode ei ole ette nähtud kasutamiseks hammastatud ketastega.



Lõikeorgani võlli pöörlemissuund ja maksimaalkiirus.



Tõmba: Kiirühenduse fi ksaator



Hoiduge ülespaisatud ja lendavate esemete eest. Hoidke kõrvalseisjad tootest ohutus kauguses.



Hoiduge ülespaisatud ja lendavate esemete eest. Hoidke kõik kõrvalseisjad, eriti lapsed ja lemmikloomad tööalalt vähemalt 15 meetri kaugusele.



Hoidke käed mahalõiketerast eemal.



Lõiketera vastusurve!



Sellele tootele sobib Tri-Arc lõiketera, millega saab lõigata sasisumbrohtu ja vääte.



Mittekasutatavaid elektrotooteid ei tohi visata olmejäätmete hulka. Vaid tuleb viia vastavasse kogumispunkti. Vajadusel küsige sellekohast nõu oma edasimüüjalt või vastavalt kohaliku omavalitsuse institutsioonilt.



Vastab kõigile eeskirjadele EL-i liikmesriigis, kus toode on ostenud.



Euraasia vastavusmärk



Ukraina vastavusmärgis



Võsalõikuri garanteeritud helivõimsuse tase



Jõhvtrimmeri garanteeritud helivõimsuse tase

## KASUTUSJUHENDI SÜMBOLID



Ühendage pistikupesassa



Võtke pistikupesast välja



Eraldi ostetavad osad või tarvikud



Märkus

Järgnevad märguandesõnad ja tähendused on mõeldud selle toote kasutamisega seotud riskitasemete kirjeldamiseks.

### OHT.

Viitab kohe tekkivale ohtlikule situatsioonile, mis, kui ei väldita, lõpeb surma või tõsise vigastusega.

### HOIATUS

Viitab võimalikule ohtlikule situatsioonile, mis, kui ei väldita, võib lõppeda surma või tõsise vigastusega.

### ETTEVAATUST

Viitab võimalikule ohtlikule situatsioonile, mis, kui ei väldita, võib lõppeda väiksemate või keskmiste vigastusega.

### ETTEVAATUST

Ilma hoiatussümbolita

Osutab olukorrale, mis võib põhjustada varakahju.

U razvoju ove AKO rezač grmlja i kosilica dati su maksimalni prioriteta sigurnosti, performansama i pouzdanosti.

### NAMJENA

Trimer s reznom niti/rezač grmlja smiju koristiti isključivo punoljetne osobe koje su pročitale i razumjele upute i upozorenja u ovom priručniku i koje se mogu smatrati odgovornima za svoje postupke. Ovaj uređaj namijenjen je samo za korištenje na otvorenom u dobro prozračenom prostoru. Iz sigurnosnih razloga proizvod za vrijeme rukovanja uvijek držite pod kontrolom držeći ga s obje ruke. Proizvod koji je opremljen ugrađenom glavom trimera s reznom niti (i odgovarajućim štitičnikom) namijenjen je rezanju visoke trave, mekog korova i slične vegetacije pri ili oko razine tla. Ako je ugrađen Tri-Arc™ nož s tri zupca (i odgovarajući štitičnik), proizvod može sjeći i grmlje.

Ravnina rezanja treba približno biti paralelna s površinom tla. Proizvod se ne smije koristiti za rezanje ili obrezivanje živica, žbunja ili druge vegetacije gdje površina rezanja nije paralelna s površinom tla.

### ⚠ UPOZORENJE

Prilikom korištenja proizvoda moraju se slijediti sigurnosna pravila. Radi vaše i sigurnosti ostalih promatrača, molimo vas da prije rada s proizvodom pročitate ove upute. Molimo vas da čuvate ove upute radi kasnijeg korištenja.

### ⚠ UPOZORENJE

Ovaj proizvod nije namijenjen za korištenje od strane djece ili osoba sa smanjenim fizičkim, psihičkim ili mentalnim mogućnostima. Djecu je potrebno nadzirati kako bi se osiguralo da se ne igraju s uređajem.

### OBUKA

- Nikada nemojte dopustiti korištenje ovog proizvoda djeci ili osobama koje nisu upoznate s ovim uputama.
- Pažljivo pročitajte upute. Upoznajte se sa svim upravljačkim elementima i pravilnim korištenjem proizvoda.
- Tijekom košenja prostor držite bez promatrača, djece i kućnih ljubimaca. Zaustavite proizvod ako bilo tko uđe u područje rada.
- Nemojte raditi s proizvodom kad ste umorni, bolesni ili pod utjecajem alkohola, droga ili lijekova.
- Koristite ovaj proizvod samo za rezanje trave i sitnog korova. Nemojte koristiti oštricu u nikakvu drugu svrhu.
- Imajte na umu da je rukovatelj ili korisnik odgovoran za nezgode ili opasnosti koje nastanu drugim osobama ili njihovoj imovini.

### PRIPREMA

- Kada radite s ovim proizvodom nosite zaštitu za oči i sluh. Ako radite u području gdje postoji opasnost od padajućih predmeta, morate nositi zaštitu za glavu.
- Zaštita za sluh može ograničiti sposobnost operatera da čuje zvukove upozorenja.
- Obratite posebnu pozornost na moguće opasnosti u okolini i unutar radnog područja.
- Nosite hlače s dugim nogavicama, čizme i rukavice. Nemojte nositi široku odjeću, kratke hlače, nakit bilo kakve vrste ili hodati bosonogi.
- Osigurajte dugu kosu na način da je iznad razine ramena kako biste spriječili zahvaćanje u pokretne dijelove.
- Prije korištenja i nakon svakog udara provjerite da nema oštećenih dijelova. Prekidač u kvaru ili bilo koji dio da je oštećen ili istrošen trebali biste pravilno popraviti ili zamijeniti od strane ovlaštenog servisnog centra.
- Provjerite da li je priključak za rezanje pravilno instaliran i čvrsto pritegnut.
- Nikada ne radite s proizvodom ako svi štitičnici, deflektori i ručke nisu pravilno i čvrsto priključeni.
- Razmotrite okoliš u kome radite. Radno područje držite čistim od žica, štapova, kamenja i ostataka koji ako se zaglave mogu postati leteći predmeti.

### OPĆA SIGURNOSNA PRAVILA

### ⚠ UPOZORENJE

**Pročitajte sva sigurnosna upozorenja i sve upute.** Nepridržavanje upozorenja i uputa može izazvati strujni udar, požar i/ili ozbiljne ozljede.

Sačuvajte ova upozorenja i upute kako biste ih naknadno mogli konzultirati. Pojam „električni alat“ u upozorenjima odnosi se na vaš glavni alat (napajanje preko kabela) ili električni alat koji se napaja preko baterije (bez kabela).

### RADNA OKOLINA

- **Držite radni prostor čistim i dobro osvijetljenim.** Zatrpani i neosvijetljeni radni prostori izazivaju nezgode.
- **Nemojte rukovati električnim alatima u eksplozivnim atmosferama u kojima su prisutne zapaljive tekućine, plinovi ili prašina.** Električni alati stvaraju iskre koje mogu zapaliti prašinu ili pare.
- **Tijekom rada s električnim alatom držite podalje djecu i promatrače.** Ometanje može dovesti do toga da izgubite kontrolu.

## ELEKTRIČNA SIGURNOST

- **Utikači električnog alata moraju odgovarati utičnici. Nikada nemojte modificirati utikače ni na koji način. Nemojte koristiti nikakve adapter utikače s uzemljenim električnim alatima.** Originalni utikači i odgovarajuće utičnice smanjuju opasnost od strujnog udara.
- **Izbjegavajte kontakt tijela s uzemljenim površinama poput cijevi, radijatora, štednjaka i hladnjaka.** Ako je vaše tijelo uzemljeno, povećava se opasnost od strujnog udara.
- **Nemojte proizvod izlagati kiši ili vlažnim uvjetima.** Ulazak vode u električni alat povećava opasnost od strujnog udara.
- **Nemojte zlorabiti kabel. Nikada nemojte koristiti kabel za nošenje, povlačenje ili isključivanje električnog alata. Držite kabel podalje od topline, ulja, oštih rubova ili pokretnih dijelova uređaja.** Oštećeni ili zapleteni kabeli povećavaju opasnost od strujnog udara.
- **Kada radite s električnim alatom na otvorenom, koristite produžni kabel prikladan za rad na otvorenom.** Korištenje kabela prikladnog za rad na otvorenom smanjuje opasnost od strujnog udara.
- **Ako se ne može izbjeći rad s električnim alatom u vlažnoj lokaciji koristite FID sklopku (RCD uređaj) za zaštitu napajanja.** Korištenje RCD uređaja smanjuje opasnost od električnog udara.

## OSOBNA SIGURNOST

- **Budite na oprezu, gledajte to što radite i pri radu s električnim alatom koristite zdrav razum. Nemojte koristiti električni alat kad ste umorni ili pod utjecajem droge, alkohola ili lijekova.** Trenutak nepažnje pri radu s električnim alatima može dovesti do teških osobnih ozljeda.
- **Koristite osobnu zaštitnu opremu. Uvijek nosite zaštitna sredstva za oči.** Zaštitna oprema poput maske za prašinu, zaštitna obuća sa zaštitom od klizanja, kaciga ili zaštita za uši koja se koristi u odgovarajućim uvjetima smanjuje osobne ozljede.
- **Spriječite slučajno pokretanje. Osigurajte da je prije priključivanja na izvor napajanja i/ili baterije, podizanja ili nošenja alata, sklopka u položaju OFF (isključeno).** Nošenje električnog alata s vašim prstom na sklopki ili uključivanje električnih alata sa sklopkom postavljenom na položaj on (uključeno) dovodi do nezgoda.
- **Prije uključivanja električnog alata uklonite sve klinove za podešavanje i ključeve.** Ključ ili klin ostavljen priključen na rotirajućem dijelu električnog alata može dovesti do osobne ozljede.
- **Ne sežite preko određene granice. Cijelo vrijeme držite pravilno uporište i ravnotežu.** Ovo u neočekivanim situacijama omogućuje bolju kontrolu nad električnim alatom.

- **Pravilno se odjenite. Nemojte nositi široku odjeću ili nakit. Kosu, odjeću i rukavice držite podalje od pokretnih dijelova.** Široka odjeća, nakit ili dugačka kosa mogu biti zahvaćeni u pokretne dijelove alata.
- **Ako su uređaji opremljeni s priključkom aparata za odvajanje i prikupljanje prašine, osigurajte da su oni priključeni i pravilno korišteni.** Korištenje uređaja za sakupljanje prašine smanjuje opasnosti vezane uz prašinu.

## KORIŠTENJE I BRIGA O ELEKTRIČNOM ALATU

- **Nemojte proizvod koristiti iznad njegovih mogućnosti. Za vašu primjenu koristite točan električni alat.** Točan električni alat bolje će i sigurnije uraditi posao u odnosu za što je namijenjen.
- **Nemojte koristiti električni alat ako ga sklopka pravilno ne uključuje i isključuje.** Svaki električni alat koje se ne može kontrolirati pomoću sklopke je opasan i mora se popraviti.
- **Prije nego što izvršite bilo kakva podešavanja, zamijenite dodatni pribor ili pohranite električne alate, odspojite utikač iz izvora napajanja i/ili bateriju iz električnog alata.** Ovakve preventivne sigurnosne mjere smanjuju opasnost od slučajnog pokretanja električnog alata.
- **Električne alate pohranite u stanju mirovanja izvan dohvata djece i ne dopustite rad s električnim alatom osobama koje nisu upoznate s električnim alatom ili ovim uputama.** Električni alati su opasni u rukama nestručnih korisnika.
- **Održavanje električnih alata. Provjerite radi pogrešnog poravnjanja ili savijanja pokretnih dijelova, puknuća dijelova i drugih uvjeta koji mogu utjecati na rad električnog alata. Ako je oštećen, električni alat prije korištenja popravite.** Većina nezgoda uzrokovano je od strane električnih alata koji su slabo održavani.
- **Rezne alate držite oštirim i čistim.** Pravilno održavanim reznim alatima s oštirim rubovima za rezanje, manja je vjerojatnost zahvaćanja i lakše se kontroliraju.
- **Koristite električni alat, pribor i dijelove alata itd., u skladu s ovim uputama i uzevši u obzir radne uvjete i rad koji treba izvršiti.** Korištenje električnog alata za radove drugačije od njegove namjene može dovesti do opasne situacije.

## KORIŠTENJE I BRIGA O AKU ALATU

- **Punite samo s punjačem navedenim od proizvođača.** Punjač koji je prikladan za jednu vrstu baterija može dovesti do opasnosti od požara kada se koristi s drugom baterijom.
- **Koristite AKU alate samo s posebno naznačenim baterijama.** Korištenje bilo kojih drugih baterija dovodi do opasnosti od ozljeda i požara.
- **Kada se baterija ne koristi držite je dalje od drugih metalnih predmeta kao što su spajalice za papir, kovanice, ključevi, čavli, vijci ili drugi mali metalni**

**predmeti koji mogu spojiti jedan pol na drugi.** Kratki spoj polova baterije može izazvati opekotine ili požar.

- **Pod uvjetima loma može doći do izbacivanja tekućine iz baterije, izbjegavajte kontakt. Ako dođe do nehotičnog kontakta, isperite to mjesto s vodom.** Ako tekućina dospije u oči, dodatno potražite liječničku pomoć.
- **Tekućina koja istječe iz baterije može dovesti do iritacije ili opekotina.**

#### ODR/EAVANJE

- Neka vaš električni alat servisira kvalificirana osoba za popravak koristeći samo identične zamjenske dijelove. Ovo će osigurati da se održi sigurnost električnog alata.

#### **⚠ UPOZORENJE**

Nikada nemojte koristiti sredstva za rezanje ili priključke koje Ryobi nije naveo u ovom priručniku. To uključuje korištenje metalnih višedijelnih okretnih lanaca i noževa mlatila. Poznato je da se ti artikli slamaju tijekom uporabe i postoji veliki rizik od ozbiljnog ozljeđivanja rukovatelja ili osoba u njihovoj blizini.

#### **⚠ UPOZORENJE**

Provjerite nakon pada ili drugih udara: Temeljito provjerite proizvod i identificirajte sve utjecaje ili oštećenja. Svaki oštećeni dio trebao bi pravilno popraviti ili zamijeniti ovlašteni servisni centar.

#### SIGURNOSNA UPOZORENJA ZA TIMER

- Neke regije imaju pravila koja ograničavaju korištenje proizvoda. Provjerite kod lokalnih tijela za savjet.
- Nikada nemojte dopustiti korištenje ovog proizvoda djeci ili osobama koje nisu upoznate s ovim uputama.
- Koristite proizvod po dnevnom svjetlu ili pri dobroj vještačkoj rasvjeti.
- Izbjegavajte koristiti na mokroj travi.
- Kada koristite proizvod ne hodajte unatrag.
- Zauzmite čvrst stav i ravnotežu. Ne sežite preko određene granice. Seznanje preko određene granice može imati za posljedicu gubitak ravnoteže. Uvijek se čvrsto uprite na kosinama. Hodajte, nemojte trčati.
- Nemojte raditi s proizvodom kada postoji opasnost od grmljavinskog nevremena.
- Nemojte proizvod izlagati kiši ili vlažnim uvjetima. Ulazak vode u uređaj povećava opasnost od strujnog udara.
- Držite promatrače, djecu i kućne ljubimce 15 m dalje od područja rada. Zaustavite proizvod ako bilo tko uđe u područje rada.
- Držite priključak za rezanje ispod razine pojasa.

- Nikada nemojte raditi s proizvodom s oštećenim štitnicima ili bez postavljenih štitnika.
- Nikada ne stavljajte metal umjesto silka.
- Sve vrijeme držite ruke i noge podalje od sredstva za šišanje, a posebno kada se uključuje motor.
- Imajte na umu da se rezni elementi nastavljaju okretati nakon što je motor isključen.
- Čuvajte se odbačenih premeta od flaksa. Očistite male ostatke poput kamenčića, grumena i drugih stranih predmeta iz radnog područja prije rada. Žice ili flaks se mogu upetljati odrezenim komadima.
- Ugasite i isključite iz napajanja prije:
  - servisiranje
  - ostavljanje proizvoda bez nadzora
  - čišćenje proizvoda ili čišćenje blokada
  - promjena dodatnog pribora
  - provjerite za bilo kakvo oštećenje nakon odbacivanja predmeta
  - provjerite za bilo kakvo oštećenje ako proizvod počne abnormalno vibrirati
  - izvođenje održavanja
  - uklanjanja noža
  - montaže noža
- Mala oštrica postavljena na štitniku kosilice namijenjen je za rezanje novog produženog flaksa na točnu duljinu radi sigurnosti i optimalne učinkovitosti. Vrlo je oštra, ne dodirujete je posebice kada čistite alat.
- Osigurajte da su ventilacijski otvori uvijek čisti od krhotina.
- Provjerite da li je priključak za rezanje pravilno instaliran i čvrsto pritegnut.
- Osigurajte da su svi štitnici, deflektori i ručke pravilno i čvrsto priključeni.
- Nemojte na nikakav način modificirati ovaj proizvod. baterija postaje vruća samo u slučaju dulje uporabe alata.
- Koristite samo proizvođačevu zamjenski flaks. Nemojte koristiti nikakav drugi priključak za rezanje.

#### SIGURNOSNA PRAVILA ZA REZAČ GRMLJA

- Uz gore navedena pravila, sljedeće dodatne upute se primjenjuju kada se proizvod koristi u načinu rada za rezanje grmlja.
- Prilikom montaže ili uklanjanja noževa pile nosite debele zaštitne rukavice; rubovi noževa su oštri.
- Nemojte pokušavati dodirnuti ili zaustaviti oštricu kada se okreće.
- Nož u pokretu može nanijeti ozbiljne tjelesne ozljede. Održavajte potpunu kontrolu nad proizvodom držeći ga s obje ruke sve dok nož potpuno ne zaustavi okretanje.
- Zamijenite svaku oštricu koja je oštećena. Prije svakog korištenja uvijek provjerite da je oštrica pravilno i čvrsto pritegnuta.



- Koristite samo proizvođačevu zamjensku oštricu Tri-Arc. Nemojte koristiti nikakav drugi priključak za rezanje.
- Nikada ne režite neki materijal promjera preko preko 13 mm (0.5 in.).
- Vaš rezač trave isporučuje se s pojansom za nošenje. Pažljivo podesite kopču rad komfora u pomoći podrške težine uređaja te ga objesite na desnu stranu.
- Pronađite brzi mehanizam za otpuštanje i vježbajte korištenje prije nego počnete koristiti uređaj. Njegovo pravilno korištenje sprječava ozbiljne povrede u slučaju nužde. Nikada ne nosite dodatnu odjeću preko kopče ili na drugi način ne ograničavajte pristup mehanizmu za brzo otpuštanje.
- Prije pohranjivanja jedinice ili tijekom transporta pokrijte oštricu sa štitnikom za oštricu. Prije korištenja jedinice uvijek uklonite štitnik oštrice. Ako ga ne uklonite, kad se nož počne okretati štitnik noža će biti odbačen.
- Budite osobito pažljivi kad uz ovaj proizvod koristite nož. Odbacivanje noža je reakcija do koje dolazi kada rotirajući nož dođe u kontakt s bilo čime što ne može rezati. Ovaj kontakt može uzrokovati da nož zakratko zastane i iznenada „odbaci“ jedinicu dalje od predmeta u koji je udarila. Ova reakcija može biti dovoljno nasilna da uzrokuje da operator izgubi kontrolu nad jedinicom. Odbacivanje noža može se dogoditi bez upozorenja ako nož naiđe na panj, zastane ili zahvati. Do ovoga će vjerojatnije doći u područjima gdje je teško vidjeti materijal koji se reže.
- Za jednostavno i sigurno rezanje, prilazite korovu koji je odrezan s desne na lijevu stranu. U slučajevima kada nož dođe neočekivanog predmeta ili drvene klade, ovo može minimalizirati reakciju odbacivanja noža. Za kontrolu ovog uređaja uvijek se moraju koristiti obje ruke.

### PRIVEZOV I SKLADIŠTENJE

- Zaustavite proizvod i omogućite mu da se ohladi prije skladištenja ili prijevoza.
- Očistite svaki strani materijal s uređaja. Ako je ugrađen nož za rezanje, pokrijte ga njegovim štitnikom.
- Za skladištenje uvijek isključite napajanje i namotajte kabel. Skladištite ga na suhom i dobro ventiliranom mjestu koje nije pristupačno djeci. Nemojte ju ostavljati u blizini korozivnih agenasa kao ni vrtnih kemijskih proizvoda i soli za odmrzavanje. Ne ostavljajte na otvorenom.
- Za prijevoz, osigurajte uređaj protiv pomicanja ili pada kako biste spriječili povrede osoba ili oštećenja na uređaju.

### ODRŽAVANJE

#### ⚠ UPOZORENJE

Koristite samo originalne zamjenske dijelove, dodatni pribor i priključke od proizvođača. Nepoštivanje ovih uputa može dovesti do mogućih ozljeda, loše učinkovitosti i može dovesti do poništenja jamstva.

#### ⚠ UPOZORENJE

Servisiranje iziskuje krajnju pažnju i znanje i treba da ga vrši samo kvalificirani serviser. Za servisiranje mi vam preporučamo da odnesete proizvod u najbliži ovlaštenu servisnu centar radi opravke. Prilikom servisiranja koristiti identične zamjenske dijelove.

- Prije provođenja bilo kakvih radova održavanja ili čišćenja, isključite i uklonite komplet baterija.
- Možete izvršiti podešavanja i popravke koji su opisani u ovom priručniku. Za druge popravke, obratite se ovlaštenom servisnom agentu.
- Za zamjenski flaks koristite samo najlonski flaks promjera koji je opisan u tablici specifikacija u ovom priručniku.
- Nakon produljenja novog flaksa prije uključivanja uvijek proizvod vratite u njegov uobičajeni radni položaj.
- Nakon svakog korištenja proizvod obrišite sa suhom mekom krpom. Svaki oštećeni dio trebao bi pravilno popraviti ili zamijeniti ovlaštenu servisnu centar.
- Često provjeravajte sve matice i zavrtnje da li su dobro pritegnuti kako biste bili sigurni da je proizvod u sigurnom radnom stanju.

### OSTALE OPASNOSTI:

Čak i kad je proizvod korišten kao što je prethodno opisano, još uvijek nije moguće potpuno isključiti ostale čimbenike opasnosti. Može doći do sljedećih opasnosti prilikom korištenja i operator mora obratiti posebnu pozornost kako bi izbjegao sljedeće:

- Ozljede uzrokovane vibracijom. Držite proizvod za označene ručke i ograničite radno vrijeme i izloženost.
- Oštećenje sluha uzrokovano izlaganjem buci. Nosite zaštitu za sluh i ograničite izloženost.
- Ozljede uzrokovane odbacivanjem ostataka. Cijelo vrijeme nosite sredstva za zaštitu očiju.

Kontakt s reznim elementima. Uvijek postavite pokrov oštrice kada se proizvod ne koristi. Držite ruke i stopala dalje od oštrice cijelo vrijeme.

Prilikom upotrebe rezača gmlja može doći do povratnog udara alata. Osigurajte ispravnu kontrolu nad proizvodom držeći ga s obje ruke za tome namijenjene ručke. Pročitajte i slijedite upute iz ovog priručnika kako biste smanjili rizik od povratnog udara.

Opasnost od padajućih objekata: Tijekom rezanja grmlja, nosite zaštitu za glavu ako postoji neka opasnost od padajućih objekata.

### SMANJENJE OPASNOSTI

Prijavljeno je da vibracije proizvoda koje se drži u ruci kod određenih pojedinaca mogu doprinijeti stanju pod nazivom Raynaud's Syndrome. Simptomi mogu uključivati trnce, ukočenost i bjelinu prstiju, obično uočljivo po izlaganju hladnoći. Smatra se da nasljedne osobine, izlaganje hladnoći i vlazi, dijeta, pušenje i radni postupci pridonose razvoju ovih simptoma. Postoje mjere koje operator može poduzeti kako bi smanjio moguće učinke vibracije:

- Održavajte svoje tijelo toplim u hladnim vremenskim uvjetima. Kad radite s proizvodom nosite rukavice kako biste ruke i zglobove održavali toplima. Prijavljeno je da je hladnoća glavni čimbenik koji doprinosi Raynaud's Syndrome.
- Nakon svakog perioda rada vježbajte kako biste povećali cirkulaciju krvi.
- Uzimajte česte stanke u radu. Ograničite količinu izlaganja po danu.

Ako osjetite neke od simptoma ovog stanja, odmah prekinite korištenje i obratite se svome liječniku vezano uz ove simptome.

### ⚠ UPOZORENJE

Povrede mogu biti uzrokovane ili zadobivene produljenim korištenjem alata. Kada koristite bilo koji alat dulje vremena, osigurajte da uzimate povremene stanke.

### UPOZNAJTE SVOJ PROIZVOD

Pogledajte stranicu 154.

1. Gornja osovina
2. Ručka
3. Sklopka za UKLJUČIVANJE/ISKLUČIVANJE
4. Sklopka za pokretanje
5. Spojka osovine
6. Donja osovina
7. Deflektor za travu
8. Oštrica za rezanje
9. Flaks
10. Glava s flaksom
11. Poklopac kalema
12. Kalem
13. Mali otvor za flaks
14. Okidač za otključavanje
15. Sklopka za promjenjivu brzinu
16. Prednja ručka
17. Štitnik za nož
18. Oštrica Tri-Arc
19. Štitnik za oštricu
20. Baterija
21. Gumb za zasun baterije
22. Kabel za punjenje

### 23. Punjač

#### SIMBOLI NA PROIZVODU



Sigurnosno upozorenje



Pročitajte i razumite sve upute prije rada s proizvodom, slijedite sva upozorenja i sigurnosne upute.



Nosite zaštitu za vid, sluh i glavu



Nosite obuću protiv klizanja prilikom korištenja ovog proizvoda.



Nosite zaštitne rukavice velike debljine koje se ne klizu.



Ne izlažite kiši ili vlažnim uvjetima.



Ovaj proizvod nije namijenjen za korištenje s oštricama nazubljenim poput pile.



Smjer rotacije i maksimalna brzina osovine reznog priključka.



Povuči:  
Jezičac za brzo oslobađanje



Čuvajte se odbačenih ili letećih predmeta. Čuvajte promatrače na sigurnoj udaljenosti od proizvoda.



Čuvajte se odbačenih ili letećih predmeta. Držite sve promatrače naročito djecu i kućne ljubimce, na udaljenosti najmanje 15 m od radnog područja.



Držite ruke dalje od rezne ploče.



Pazite na potisak od noža.



Oštrica Tri-Arc blade je kompatibilna s proizvodom i može se koristiti za rezanje mekog korova i trsova



Otpadni električni proizvodi ne treba da se odlažu s otpadom iz domaćinstva. Molimo da recikirate gdje je to moguće. Potražite savjet od lokalnih vlasti ili prodavca kako reciklirati.



Ovaj alat usklađen je sa svim normama i propisima zemlje Europske unije u kojoj je kupljen.



EurAsian znak konformnosti



Ukrajinska oznaka za sukladnost



Jamčena razina zvučnog tlaka za rezač grmlja



Jamčena razina zvučnog tlaka za trimer

## SIMBOLI U OVOM PRIRUČNIKU



Priključite u utičnicu za napajanje



Isključite iz utičnice za napajanje



Dijelovi ili pribor prodan odvojeno



Napomena

Slijedeće riječi upozorenja i značenja imaju namjeru da objasne nivo rizika u vezi s ovim proizvodom.

### OPASNOST

Ukazuje na neposrednu opasnu situaciju, koja, ukoliko se ne izbjegne, može rezultirati smrću ili opasnim povredama

### UPOZORENJE

Ukazuje na moguću opasnu situaciju, koja, ukoliko se ne izbjegne, može rezultirati smrću ili opasnim povredama

### UPOZORENJE

Ukazuje na moguću opasnu situaciju, koja, ukoliko se ne izbjegne, može rezultirati manjim ili blažim povredama

### UPOZORENJE

Bez sigurnosnog simbola upozorenja

Naznačuje situaciju koja može rezultirati oštećenjem imovine.

Varnost, učinkovitost in zanesljivost so bile pri načrtovanju vašega brezžičnega obrezovalnika grmičevja in kosilnice ključnega pomena.

### NAMEN UPORABE

Kosilnico z nitko/obrezovalnik grmičevja lahko uporabljajo samo odrasle osebe, ki so prebrale in razumejo navodila ter opozorila v tem priročniku ter so sposobne prevzeti odgovornost za svoja dejanja. Izdelek je namenjen le za uporabo na prostem in v dobro zračenih prostorih. Zaradi varnosti je zahtevano dvoročno krmiljenje naprave.

Výrobok vybavený so strunovou hlavou (a príslušným ochranným krytom) je určený na kosenie dlhej trávy, dužinatej buriny a podobnej vegetácie na povrchu zeme alebo blízko povrchu zeme. Po namestitvi rezila Tri-Arc™ (in ustreznega varovala) se lahko uporablja tudi za rezanje grmičevja.

Rezilna raven mora biti približno vzporedna tlom. Izdelka se ne sme uporabljati za obrezovanje živih mej, grmovja ali drugega rastlinja, kjer obrezovalna raven ni vzporedna s tlemi.

### ⚠ OPOZORILO

Med uporabo stroja upoštevajte varnostna navodila. Za svojo varnost in varnost drugih oseb preberite ta navodila pred uporabo izdelka. Prosimo, shranite ta navodila za kasnejšo rabo.

### ⚠ OPOZORILO

Izdelek ni namenjen za uporabo s strani otrok ali oseb z zmanjšanimi fizičnimi, duševnimi ali senzoričnimi zmožnostmi. Otroke nenehno nadzorujte, da se ne bodo igrali z napravo.

### URJENJE

- Izdelka nikoli ne smejo uporabljati otroci ali osebe, ki niso seznanjene z navodili za uporabo.
- Pazljivo preberite navodila. Seznanite se z vsemi krmilnimi elementi in pravilno uporabo izdelka.
- V območju dela naj ne bo drugih oseb, otrok in živali. Ugasnite izdelek, če kdo vstopi v območje.
- Izdelka nikoli ne uporabljajte, če ste utrujeni, bolni ali pod vplivom alkohola oziroma drog.
- Izdelek uporabljajte le za rezanje trave ali tankih bilk. Za druge namene ga ne uporabljajte.
- Pomnite, da je upravitelj oz. uporabnik odgovoren za nesreče ali nevarnosti, ki se pripetijo ostalim ljudem ali njihovi lastnini.

### PRIPRAVA

- Pri uporabi izdelka vedno nosite popolno zaščito za oči in sluh. Pri delu na območju, kjer obstaja tveganje za padajoče predmete, morate nositi zaščito za glavo.

- Upravitelj morda zaradi opreme za zaščito sluha ne bo slišal opozorilnih zvokov.
- Bodite še posebej pozorni na morebitne nevarnosti okrog delovnega območja in znotraj njega.
- Nosite trdne, dolge hlače, škornje in rokavice. Ne nosite ohlapnih oblačil, kratkih hlač, nobenega nakita in ne uporabljajte bosih.
- Dolge lase si spnite nad rameni in tako preprečite njihovo ujetje v premikajoče se dele.
- Pred uporabo in po vsakem udarcu se prepričajte, da ni poškodovanih delov. Okvarjeno stikalo ali drug del, ki je poškodovan ali obrabljen, morate ustrezno popraviti ali zamenjati pri pooblaščenem serviserju.
- Prepričajte se, da je rezalna glava ustrezno nameščena in trdno pritrjena.
- Izdelka nikoli ne uporabljajte, če vse zaščite, ščitniki in ročajji niso pravilno in čvrsto nameščeni.
- Pazite na okolje, v katerem delate. Na delovnem območju ne sme biti žic, palic, kamenja ali drugih predmetov, ki bi lahko leteli naokrog, če bi jih zadel rezalnik.

### SPLOŠNA VARNOSTNA OPOZORIILA

### ⚠ OPOZORILO

Preberite vsa varnostna opozorila in navodila. Zaradi neupoštevanja opozoril in navodil lahko pride do električnega udara, požara in/ali resnih poškodb.

Shranite vsa opozorila in navodila za kasnejšo uporabo. Izraz »električno orodje« v opozorilih se nanaša na orodja, ki jih poganja električni tok (žična), ali na akumulatorska (brezžična) orodja.

### DELOVNO OBMOČJE

- **Delovno območje naj bo čisto in dobro osvetljeno.** V neurejenih in temnih območjih se rade zgodijo nesreče.
- **Električnih orodij ne uporabljajte v eksplozivnih okoljih npr. v bližini vnetljivih tekočin, plinov ali prahu.** Električna orodja proizvajajo iskre, ki lahko vnamejo prah ali hlape.
- **Med uporabo električnega orodja v bližino ne pustite otrok in drugih ljudi.** Zaradi zmanjšane koncentracije lahko izgubite nadzor.

### ELEKTRIČNA VARNOST

- **Vtiči električnih orodij se morajo prilegati vtičnicam. Vtiča nikoli in na noben način ne smete spreminjati. Z ozemljenimi električnimi orodji ne uporabljajte adapterjev vtiča.** Nespremenjeni vtiči in ustrezne vtičnice zmanjšajo tveganje električnega udara.
- **Izogibajte se telesnemu stiku z ozemljenimi površinami, kot so cevi, radiatorji, kuhalniki in hladilniki.** Če je vaše telo ozemljeno, obstaja povečano tveganje električnega udara.

- **Izdelka ne izpostavljajte dežju ali vlagi.** Voda v električnem orodju znatno poveča tveganje električnega udara.
- **Kabla ne uporabljajte za neustrezne namene.** Kabla nikoli ne uporabljajte za prenašanje, vleko ali izklop električnega orodja. Pazite, da kabel ne pride v stik z vročino, oljem, ostrimi robovi ali gibljivimi deli. Poškodovani ali zapleteni kabli zvišujejo tveganje električnega udara.
- **Med uporabo električnega orodja na prostem uporabljajte podaljševalni kabel, ki je primeren za zunanjo uporabo.** Uporaba kabla, primerneza za zunanjo uporabo, znižuje tveganje električnega udara.
- **Če je delo z električnim orodjem v vlažnem okolju neizogibno, uporabite tokovno zaščitno stikalo (RCD).** Uporaba naprave RCD zmanjša tveganje za električni udar.

#### OSEBNA VARNOST

- **Med obratovanjem bodite pozorni, spremljajte potek dela in uporabljajte zdrav razum.** Električnega orodja ne uporabljajte, ko ste utrujeni oz. pod vplivom drog, alkohola ali zdravil. Trenutek nepazljivosti med uporabo električnega orodja lahko povzroči hude telesne poškodbe.
- **Uporabljajte osebno zaščitno opremo. Vedno nosite zaščito za oči.** Če v različnih okoliščinah nosite ustrezno zaščitno opremo, kot so maska proti prahu, obutev z nedrsečim podplatom, trdno pokrivalo glave in zaščita za sluh, zmanjšate možnost telesnih poškodb.
- **Preprečite neželen zagon. Preden orodje priključite na vir napajanja, vstavite baterije, ga vzamete v roke ali prenašate, se prepričajte, da je stikalo v izključenem položaju.** Prenasjanje električnih orodij, tako da prst držite na stikalu, ali dovajanje napajanja električnim orodjem, pri katerih je stikalo v položaju »on (vklop)« poveča tveganje nesreč.
- **Pred vklopom električnega orodja odstranite morebitne nastavitvene ključe ali izvijače.** Izvijač ali ključ, ki ostane pritrjen na vrtljivi del električnega orodja, lahko povzroči telesne poškodbe.
- **Nesiahajte priliš d'aleko. Pazite, da stojite stabilno in da imate ravnotežje.** To omogoča boljši nadzor nad električnim orodjem v nepričakovanih situacijah.
- **Bodite primerno oblečeni. Ne nosite ohlapnih oblačil ali nakita.** Pazite, da lasje, oblačila in rokavice ne pridejo v bližino gibljivih delov. Ohlapna oblačila, nakit ali dolgi lasje se lahko zapletejo v gibljive dele.
- **Če so naprave namenjene priključitvi na pripomočke za sesanje in zbiranje prahu, se prepričajte, da so ti priključeni in ustrezno uporabljeni.** Uporaba zbiralca prahu lahko zmanjša nevarnosti, povezane s prahom.

#### UPORABA IN NEGA ELEKTRIČNEGA ORODJA

- **Izdelka ne preobremenjujte.** Uporabite električno orodje, ki ustreza vašemu delu. Ustrezno električno

orodje bo nalogo opravilo bolje in varneje v kategoriji, za katero je bilo zasnovano.

- **Ne uporabljajte električnega orodja, če ga stikalo ne vklopi ali izklopi, kot bi bilo treba.** Kakršno koli električno orodje, ki ga ni mogoče nadzirati s stikalom, je nevarno in ga je potrebno popraviti.
- **Odklopite vtič z vira napajanja in/ali baterije, preden opravljate kakršne koli prilagoditve, menjate dodatke ali shranjujete električno orodje.** Tovrstni preventivni varnostni ukrepi zmanjšajo možnost slučajnega zagona električnega orodja.
- **Električna orodja, ki niso v uporabi, shranjujte izven dosega otrok in ne dovolite, da bi električno orodje uporabljale osebe, ki niso seznanjene z električnim orodjem ali s temi navodili.** Električna orodja so v rokah neusposobljenih uporabnikov nevarna.
- **Električna orodja redno vzdržujte. Preverite, če so gibljivi deli napačno poravnani ali zaskočeni, če so sestavni deli polomljeni ali če obstaja kakršno koli druge stanje, ki lahko vpliva na varno delovanje električnega orodja.** Če je električno orodje poškodovano, ga pred ponovno uporabo dajte v popravilo. Številne nesreče zakrivijo neustrezno vzdrževana električna orodja.
- **Rezalna orodja naj bodo vedno nabrušena in čista.** Pravilno vzdrževana rezalna orodja z ostrimi rezili se težje zaskočijo in jih je lažje nadzirati.
- **Električno orodje, dodatke, nastavke za orodje itd. uporabljajte v skladu s temi navodili ter upoštevajte delovne pogoje in vrsto dela, ki ga boste izvajali.** Uporaba električnega orodja za namene, ki so drugačni od tistih, za katere je bilo orodje zasnovano, lahko povzroči nevarne situacije.

#### UPORABA IN VZDRŽEVANJE BATERIJSKEGA ORODJA

- **Baterijo polnite le s polnilnikom, ki ga določa proizvajalec.** Polnilnik, ki ustreza eni vrsti baterij, morda lahko povzroči požar, če z njim polnite drugo vrsto baterij.
- **Baterijska orodja uporabljajte samo s predpisano vrsto baterij.** Uporaba katerih koli drugih baterij ustvari tveganje poškodb in požara.
- **Ko baterije ne uporabljate, pazite, da bo odmaknjena od kovinskih predmetov, kot so papirne sponke, kovanci, ključi, želbli, vijaki ali drugih majhni kovinski predmeti, ki bi lahko povzročili povezavo med obema terminaloma.** Kratek stik zaradi povezanih terminalov baterije lahko povzroči opeklino ali požar.
- **Ob zlorabi baterije lahko iz nje steče tekočina. Če se po nesreči dotaknete tekočine, mesto dotika sperite z vodo.** Če pride tekočina v stik z očmi, poiščite zdravstveno pomoč.
- **Tekočina, ki izteče iz baterije, lahko povzroči vnetje ali opeklino.**

**SERVISIRANJE**

- Električno orodje naj servisira usposobljena oseba, uporabljati pa sme le originalne nadomestne dele. To bo zagotovilo vzdrževanje varnostni električnega orodja.

**⚠ OPOZORILO**

Nikoli ne uporabljajte rezalnih orodij ali priključkov, ki jih proizvajalec Ryobi izrecno ne navaja v tem priročniku. To velja tudi za večdelne vrtljive kovinske verige in rezalne priključke s cepci. Znano je, da tovrstna rezalna orodja in pripomočki med uporabo lahko razpadejo in tako predstavljajo visoko nevarnost povzročitve telesnih poškodb za upravljalca ali mimoidoče.

**⚠ OPOZORILO**

Pregled, če naprava pade ali prejme drug udarec: Temeljito preglejte izdelek in opazujte, ali je morda poškodovan. Vsak poškodovani del mora ustrezno popraviti ali zamenjati pooblaščen servisni center.

**VARNOSTNA OPOZORILO ZA KOSILNICO**

- Predpisi nekaterih regij omejujejo uporabo tega izdelka. Za nasvet se obrnite na lokalne oblasti.
- Izdelka nikoli ne smejo uporabljati otroci ali osebe, ki niso seznanjene z navodili za uporabo.
- Uporabljajte izdelek pri dnevni svetlobi ali dobri umetni svetlobi.
- Ne uporabljajte v mokri travi.
- Kadar uporabljate ta izdelek, ne hodite vzvratno.
- Pazite na ravnotežje in ne pretiravajte. Nesiahajte priliš daleko. Pretiravanje lahko povzroči izgubo ravnotežja. Pri uporabi na pobočjih vedno pazite na ravnotežje. Vedno hodite, nikoli ne tecite.
- Izdelka ne uporabljajte v primeru pojava nevihte.
- Izdelka ne izpostavljajte dežju ali vlagi. Voda, ki vstopi v napravo, zviša tveganje za električni udar.
- Prisotni, otroci in živali naj bodo vsaj 15 m oddaljeni od delovnega območja. Ugasnite izdelek, če kdo vstopi v območje.
- Rezalni del imejte nenehno pod višino pasu.
- Izdelka nikoli ne uporabljajte, če je varovalo poškodovano ali če ni nameščeno.
- Nikoli ne nameščajte kovinske nadomestne nitke.
- Roke in noge stalno držite proč od rezalnih delov, še posebej ko izklapljate motor.
- Pazite! Po izklopu motorja se ostri elementi še naprej vrtijo.
- Pazite na predmete, ki jih odmetava rezalni del. Z delovnega območja odstranite ostanke, kot so kamenčki, gramoz in drugi tujki, preden začnete z delom. Žice ali vrvica se lahko ujamejo v rezila.

- Ugasnite in izključite električno napajanje, preden:
  - servisiranje
  - pustiti izdelek brez nadzora
  - čiščenje izdelka in odpravljanje blokade
  - menjava dodatkov
  - preverjanje glede poškodb, ko zadenete predmet
  - preverjanje glede poškodb, če izdelek začne neobičajno vibrirati
  - vzdrževanje
  - odmuntovanje noža
  - inštalacia noža
- Majhno rezilo, nameščeno na ščitnik za travo, je namenjeno za to, da predolgo vrstico odrežete na primerno dolžino in tako zagotovite varno in optimalno delovanje. Je zelo ostro, zato se ga ne dotikajte, zlasti ne pri čiščenju orodja.
- Poskrbite, da bodo prezračevalne odprtine vedno proste.
- Prepričajte se, da je rezalna glava ustrezno nameščena in trdno pritrjena.
- Prepričajte se, da so vsa varovala, deflektorji in ročaj pravilno in trdno pritrjeni.
- Výrobok žiadnym spôsobom neupravujte. Do te situácie pride samo, če nepretrgana uporaba naprave povzroči, da se baterije preveč segrejejo.
- Uporabljajte le originalno nadomestno rezalno vrstico. Ne uporabljajte nobenih drugih rezalnih pripomočkov.

**VARNOSTNA NAVODILA ZA OBREZOVALNIK GRMIČEVJA**

- Poleg zgornjih pravil za uporabo je treba pri uporabi orodja kot obrezovalnika grmičevja upoštevati še naslednja dodatna navodila.
- Pri nameščanju ali odstranjevanju rezil z ostrimi robovi nosite delovne rokavice.
- Ne poskušajte se dotakniti ali zaustaviti vrtečega se rezila.
- Vrteče se rezilo lahko povzroči telesne poškodbe. Dokler se rezilo povsem ne zaustavi, morate ustrezen nadzor nad orodjem ohranjati tako, da ga držite z obema rokama.
- Zamenjajte poškodovano rezilo. Pred uporabo se vedno prepričajte, če je rezilo pravilno nameščeno in dobro pritrjeno.
- Uporabljajte le proizvajalčevo nadomestno rezilo Tri-Arc. Ne uporabljajte nobenih drugih rezalnih pripomočkov.
- Nikoli ne režite materiala s premerom več kot 13 mm (0.5 in.).
- Obrezovalnik grmičevja ima nameščen nosilni pas. Previdno prilagodite trak tako, da vam je v udobno pomoč pri nošenju teže naprave, ki naj visi ob vaši desni strani.

- Preden začnete uporabljati napravo, poiščite hitri odpenjalni mehanizem in vadite njegovo uporabo. Pravilna uporaba lahko prepreči hude telesne poškodbe v nujnem primeru. Nikoli ne nosite oblačil prek traka za nošenje ali kako drugače omejite dostop do mehanizma za hitro sprostitvev.
- Pred shranjevanjem ali med transportom vedno zavarujte rezilo z zaščito rezila. Pred uporabo naprave ščitnik vedno odstranite. Če ga ne odstranite, ga bo ob zagonu odvrгло proč od naprave.
- Pri uporabi rezila z izdelkom bodite izjemno previdni. Sunek rezila je reakcija, ki se lahko pojavi, ko se rezilo dotakne predmeta, ki ga ne more prerezati. Takšen stik lahko povzroči trenutno zaustavitev rezila, nato pa napravo nenadoma "odbije" proč od predmeta, ob katerega se je zadelo rezilo. Ta reakcija je lahko zadosti sunkovita, da povzroči izgubo nadzora nad napravo. Pride lahko do povratnega udarca rezila, ki je posledica ujetja, zaustavitve ali zadetja rezila ob oviro. To se pogosteje pripeti na območjih, kjer je slaba preglednost nad predelom rezanja.
- Za lažje rezanje in večjo varnost dostopajte k vejam z desne smeri proti levi. Če naletite na nepredviden predmet ali lesen del, lahko to minimizira reakcijo povratnega udarca rezila. Za nadzorovanje izdelka vedno uporabljajte obe roki.

## TRANSPORT IN SHRANJEVANJE

- Ustavite izdelek in pustite, da se ohladi, preden ga shranite ali prevažate.
- Očistite vse tujke z izdelka. Ak je rezný nôž namontovaný, nasadte naň chránič noža.
- Pred shranjevanjem vedno izključite iz napajanja in zvijte kabel. Shranite jo na suhem in dobro prezračnem mestu, ki ni na dosegu otrok. Hranite proč od jedkih sredstev, kot so kemikalije za vrtnarjenje in soli za odmrzovanje. Ne shranjujte na prostem.
- Za transport zavarujte izdelek pred premiki ali padci, da preprečite poškodbe oseb ali izdelka.

## VZDRŽEVANJE

### ⚠ OPOZORILO

Uporabljajte le originalne rezervne dele in dodatke, ki jih priporoča proizvajalec. V nasprotnem primeru naprava lahko slabo deluje, povzroči poškodbe, garancija pa ne velja več.

### ⚠ OPOZORILO

Servisiranje zahteva posebno pozornost in znanje in naj jo zato opravlja samo izurjeni servisni tehnik. Servisiranje in popravila izdelka vam priporočamo pri vašem najbližjem pooblaščenem servisnem centru. Pri servisiranju uporabljajte le identične nadomestne dele.

- Pred vzdrževanjem ali čiščenjem izklopite baterijski sklop in ga odstranite.
- Opravljeni smete le nastavitve in popravila, ki so opisana v teh navodilih za uporabo. Za ostala popravila se obrnite na pooblaščenega serviserja.
- Za nadomestno nitko uporabljajte samo nitko iz najlonskih vlaken s premerom, ki je opisan v tabeli s tehničnimi podatki v tem priročniku.
- Po menjavi rezalne vrvice vedno preklopite napravo v normalno delovno stanje, preden jo znova zaženete.
- Po vsaki uporabi izdelek očistite z mehko in suho krpo. Vsak poškodovani del mora ustrezno popraviti ali zamenjati pooblaščen servisni center.
- Pogosto preverjajte, ali so vse matice in vijaki dobro pritiiti in tako zagotovite varno delovno stanje izdelka.

## REZIDUALNA TVEGANJA:

Tudi če izdelek uporabljate tako, kot je predpisano, še vedno ne moremo izključiti določenih preostalih dejavnikov tveganja. Med uporabo se lahko pojavijo naslednje nevarnosti, upravljavec pa naj bo pozoren na sledeče:

- Poškodbe zaradi vibracij.  
Izdelek držite za temu namenjene ročaje ter omejite čas uporabe in izpostavljenosti.
- Poškodbe sluha zaradi izpostavljenosti hrupu  
Nosite zaščito za sluh in omejite izpostavljenost.
- Poškodba zaradi izvrženih ostankov  
Vedno nosite zaščito za oči.

Stik z rezili. Kadar izdelka ne uporabljate, morajo biti nameščeni pokrovi rezila. Roke in noge držite vedno proč od rezil.

Pri použití krovinoresu sa může vyskytnút spätný ráz. Ustrezni nadzor nad orodjem zagotovite tako, da ga držite z obema rokama na za to predvidenih ročajih. Za zmanjšanje reakcijske sile preberite in upoštevajte navodila v tem priročniku.

Tveganje padajočih predmetov: Med obrezovanjem grmičevja nosite zaščito za glavo, če obstaja tveganje zaradi padajočih predmetov.

## ZMANJŠANJE TVEGANJA

Ugotovljeno je bilo, da lahko pri nekaterih posameznikih vibracije ročnih orodij povzročijo Raynaudov sindrom. Simptomi so lahko mravljinca, otrplost in pobledele prsti, kar je običajno vidno, kadar je oseba izpostavljena mrazu. Dedni dejavniki, izpostavljenost mrazu in vlagi, dieta, kajenje in delovne navade naj bi pripomogle k razvoju teh simptomov. Za zmanjšanje učinkov vibracij lahko upravljavec upošteva naslednja navodila:

- Poskrbite, da bo vaše telo na mrazu toplo. Med upravljanjem nosite rokavice in tako ohranjajte toploto vaših dlani in zapestij. Kot poročajo, je mraz glavni dejavnik, ki prispeva k Raynaudovemu sindromu.



- Po vsakem obdobju upravljanja naprave telovadite in tako pospešite krvni obtok.
- Pogosto si vzemite odmor. Omejite dnevno količino izpostavljenosti.

Če zaznavate kakršne koli simptome takšnega stanja, takoj prenehajte z uporabo naprave in se o simptomih posvetujte z zdravnikom.

### ⚠ OPOZORILO

Daljša uporaba orodja lahko privede do poškodb ali pa so poškodbe lahko hujše. Kadar orodje uporabljate dalj časa, si večkrat vzemite odmor.

### SPOZNAJTE SVOJ IZDELEK

Glejte stran 154

1. Zgornja cev
2. Ročaj
3. Stikalo za vklop/izklop
4. Sprožilce
5. Gredna vez
6. Spodnja gred
7. Deflektor trave
8. Rezilo
9. Rezilna nitka
10. Udarna glava
11. Pokrov vretena
12. Vreteno
13. Vstavitvena odprtina
14. Zaklepna tipka
15. Ročica za uravnavanje hitrosti
16. Sprednji ročaj
17. Varovalo rezila
18. Tri-Arc rezilo
19. Ščitnik rezila
20. Akumulator
21. Gumb zapaha za baterijo
22. Kabel polnilnika
23. Polnilec

### SIMBOLI NA IZDELKU



Varnostni alarm



Pred uporabo izdelka morate prebrati in razumeti vsa navodila, upoštevati vsa opozorila in varnostne napotke.



Nosite zaščito za oči, ušesa in glavo.



Ko uporabljate izdelek, nosite zaščitno obutev, ki ne drsi.



Nosite si nederseče, močne delovne zaščitne rokavice.



Ne izpostavljajte ga dežju ali vlagi.



Izdelek ni predviden za uporabo obojnih rezil, kot jih uporablja krožna žaga.



Smer vrtenja in maksimalna hitrost gredi za rezalni nastavek.



Povleci:  
Jeziček za hitro sprostitvev



Pazite na izvržene ali leteče predmete. Gledalci naj bodo na varni razdalji od izdelka.



Pazite na izvržene ali leteče predmete. Prisotni (še posebej otroci in živali) naj bodo med obratovanjem oddaljeni vsaj 15 m od delovnega območja.



Roke držite stran od rezila.



Potrebna je previdnost pred sunki rezila.



Rezilo Tri-Arc je primerno za ta izdelek ter za rezanje močnega plevla in vinske trte.



Odpadne električne izdelke odlagajte skupaj z ostalimi gospodinjstskimi odpadki. Reciklažo opravljajte na predpisanih mestih. Za reciklažni nasvet se obrnite na lokalne oblasti.



Ustreza vsem predpisanim standardom v državi članici EU, kjer je bil kupljen izdelek.



EurAsian oznaka o skladnosti



Ukrajinska oznaka za skladnost



Zajamčena raven zvočne moči za obrezovalnik grmičevja



Zajamčena raven zvočne moči za kosilnico z vrvico

**SIMBOLI V TEM PRIROČNIKU**

Priključite v vtičnico



Izključite iz vtičnice



Deli ali dodatki so na prodaj ločeno



Opomba

Sledeče signalne besede in pomeni naj bi pojasnili ravni tveganja, ki so povezane s tem izdelkom.

**⚠ NEVARNOST**

Označuje neizbežno tvegano stanje, ki če se ji ne izognete lahko povzroči smrt ali resno poškodbo.

**⚠ OPOZORILO**

Označuje morebitno tvegano stanje, ki če se ji ne izognete lahko povzroči smrt ali resno poškodbo.

**⚠ POZOR**

Označuje morebitno tvegano stanje, ki če se mu ne izognete lahko povzroči manjšo ali srednje resno poškodbo.

**POZOR**

Brez simbola za varnostno opozorilo

Prikazuje situacijo, ki lahko povzroči materialno škodo.

Pri navrhovaní tohto akumulátorového krovinoresu a strihača trávniky boli najvyššou prioritou bezpečnosť, výkon a spoľahlivosť.

### ÚČEL POUŽITIA

Strunovú kosačku/krovinores môžu používať len svojprávne dospelé osoby, ktoré si prečítali a porozumeli pokynom a varovaniam v tejto príručke. Tento produkt je určený výhradne na použitie v exteriéri a v dobre vetraných priestoroch. Z bezpečnostných dôvodov musí byť krovinores náležite ovládaný pomocou oboch rúk.

Výrobok vybavený so strunovou hlavou (a príslušným ochranným krytom) je určený na kosenie dlhej trávy, dužinatej buriny a podobnej vegetácie na povrchu zeme alebo blízko povrchu zeme. Ak je vybavený trojzubým nožom Tri-Arc™ (s vhodným ochranným krytom), môže byť používaný na rezanie kríkov.

Rezná rovina musí byť vždy približne rovnobežná s povrchom zeme. Tento produkt sa nesmie používať na strihanie či orezávanie živých plotov, kríkov či inej vegetácie, kde rezná rovina nie je rovnobežná s povrchom zeme.

### VAROVANIE

Pri používaní tohto produktu sa musia dodržiavať bezpečnostné zásady. Pre vašu vlastnú bezpečnosť a bezpečnosť okolostojacích osôb si pred použitím produktu prečítajte tento návod. Odložte si tento návod na neskoršie použitie.

### VAROVANIE

Produkt nie je určený na použitie deťmi alebo osobami so zníženými fyzickými, duševnými alebo zmyslovými schopnosťami. Deti musia byť pod dozorom, aby sa nemohli so zariadením hrať.

### ŠKOLENIE

- Produkt nikdy nedovoľte používať deťom alebo osobám neoboznámeným s návodom na použitie.
- Pozorne si prečítajte pokyny. Oboznámte sa s ovládacími prvkami a správnu obsluhu produktu.
- Pri strihaní musia všetky okolostojace osoby, deti a domáce zvieratá, stáť mimo pracovného priestoru. Ak nejaká osoba vstúpi do pracovného priestoru, zastavte produkt.
- Nikdy nepoužívajte produkt, keď ste unavení, chorí alebo pod vplyvom alkoholu, drog alebo liekov.
- Produkt používajte len na strihanie trávy a ľahších burín. Nepoužívajte na žiadne iné účely.
- Užívateľ alebo obsluha stroja sú zodpovední za nehody alebo škody na majetku a za nebezpečenstvo vzniknuté pri prevádzke stroja.

### PRÍPRAVA

- Pri práci s týmto zariadením používajte chrániče zraku a sluchu. Pri práci v priestore, kde existuje riziko pádu predmetov, používajte ochranu hlavy.
- Ochrana sluchu môže obmedziť schopnosť obsluhujúceho počuť výstražné zvuky.
- Venujte zvýšenú pozornosť potenciálnym rizikám v pracovnom priestore a jeho okolí.
- Noste hrubé a dlhé nohavice, topánky a rukavice. Nenoste voľné pohodlné oblečenie, krátke nohavice, bižutériu žiadneho druhu, ani nepracujte bosí.
- Dlhé vlasy zaisťte, aby boli nad úrovňou pliec a nedošlo tak k ich zamotaniu do pohyblivých dielov.
- Pred použitím a po každom náraze skontrolujte, či nie sú nejaké diely poškodené. Chybný spínač či akýkoľvek iný diel, ktorý je poškodený alebo opotrebovaný, je potrebné náležite opraviť alebo vymeniť v autorizovanom servisnom zariadení.
- Skontrolujte, či je rezný nástavec správne namontovaný a bezpečne upnutý.
- Nikdy nepoužívajte produkt, kým nie sú správne a bezpečne nasadené všetky ochranné kryty, odchyľovače a rukoväte.
- Berte ohľad na prostredie, v ktorom pracujete. Z pracoviska odstráňte všetky drôty, paličky, drevka, kamene a sutinu, ktoré by sa mohli pri zásahu nožom vymrštiť.

### VŠEOBECNÉ BEZPEČNOSTNÉ VÝSTRAHY

### VAROVANIE

**Prečítajte si všetky bezpečnostné výstrahy a pokyny.** Pri nedodržaní týchto výstrah a pokynov môže dôjsť k úrazu elektrickým prúdom, požiaru a/alebo závažnému poraneniu.

Odložte všetky upozornenia a pokyny použité v budúcnosti. Pojem „mechanický nástroj“ vo výstrahách sa vzťahuje na váš sieťový (káblový) mechanický nástroj alebo akumulátorový (bezkábový) mechanický nástroj.

### PRACOVNÝ PRIESTOR

- Pracovisko udržiavajte v čistote a správne osvetlené.** Prepchané alebo tmavé miesta zvyšujú pravdepodobnosť nehôd.
- Nepracujte s mechanickými nástrojmi vo výbušných atmosférach, napríklad v blízkosti zápalných tekutín, plynov alebo prachu.** Mechanické nástroje vytvárajú iskry, ktoré môžu podpáliť takýto prach alebo výpary.
- Deti a okolostojaci sa počas práce s mechanickým nástrojom nesmú zdržovať v jeho blízkosti.** Rozptýlenie môže spôsobiť, že stratíte nad nástrojom kontrolu.

**ELEKTRICKÁ BEZPEČNOSŤ**

- **Zástrčky mechanického nástroja musia zodpovedať zásuvke. Zástrčku nikdy žiadnym spôsobom neupravujte. S uzemnenými mechanickými nástrojmi nepoužívajte rozdvojné zásuvky.** Použitím neupravovaných zástrčiek a zodpovedajúcich zásuviek sa znižuje riziko úrazu elektrickým prúdom.
- **Vyhýbajte sa telesnému kontaktu s uzemnenými povrchmi, napríklad rúrami, radiátormi, sporákmi a chladničkami.** Ak je vaše telo uzemnené, hrozí vysoké riziko úrazu elektrickým prúdom.
- **Nevystavujte produkt dažďu ani mokrému prostrediu.** Voda, ktorá vnikne do mechanického nástroja, zvyšuje riziko úrazu elektrickým prúdom.
- **Kábel nenamáhajte. Nikdy nepoužívajte kábel na prenášanie, ťahanie alebo odpájanie mechanického nástroja. Kábel nedávajte do blízkosti tepla, oleja, ostrých okrajov alebo pohyblivých dielov.** Poškodené alebo zamotané káble zvyšujú riziko úrazu elektrickým prúdom.
- **Pri práci s mechanickým nástrojom v exteriéri používajte predlžovací kábel vhodný pre použitie v exteriéri.** S káblom vhodným pre použitie v exteriéri sa znižuje riziko úrazu elektrickým prúdom.
- **Ak je nevyhnutné pracovať s mechanickým nástrojom vo vlhkom prostredí, použite zdroj chránením pre zvyškový prúd.** Použitie zariadenia pre zvyškový prúd znižuje riziko úrazu elektrickým prúdom.

**OSOBNÁ BEZPEČNOSŤ**

- **Pri práci s mechanickým nástrojom buďte ostražití, sledujte, čo robíte a používajte zdravý rozum. Nepoužívajte mechanický nástroj, keď ste unavení alebo pod vplyvom drog, alkoholu alebo liekov.** Chvíľa nepozornosti počas práce s mechanickými nástrojmi môže spôsobiť závažné osobné poranenie.
- **Používajte osobné ochranné pomôcky.** Vždy používajte chrániče zraku. Ochranné pomôcky ako protiprachová maska, protišmyková bezpečnostná obuv, pevný klobúk alebo chrániče sluchu, používané pre príslušné podmienky, znižujú riziko vzniku osobného poranenia.
- **Zabráňte neúmyselnému spusteniu. Pred zapojením zariadenia do siete a/alebo k jednotke akumulátora, zdvíhaním alebo prenášaním nástroja vždy skontrolujte, či je spínač vo vypnutej polohe.** Pri prenášaní mechanických nástrojov s prstom položeným na spínači alebo pripájaní mechanických nástrojov so zapnutým spínačom sa zvyšuje riziko úrazu.
- **Pred zapnutím nástroja odstráňte prípadný nastavovací klin alebo kľúč.** Keď necháte kľúč alebo klin nasadený na rotujúci diel mechanického nástroja, môže dôjsť k vážnemu poraneniu osôb.
- **Neprečeňujte sa. Neustále zachovávajte pevnú**

**oporu nôh a rovnováhu.** Tak si zaistíte lepšiu kontrolu nad mechanickým nástrojom v nečakaných situáciách.

- **Primerane sa oblečte. Nenoste voľný odev ani šperky. Vlasý, odev a rukavice nepriliehajúce k pohyblivým sa dielom.** Voľný odev, šperky či dlhé vlasý sa môžu zachytiť do pohyblivých častí.
- **Ak sú zariadenia vybavené pripojením na prostriedky na odsávanie a zber prachu, zaistíte, aby boli správne pripojené a primerane sa používali.** Pri použití týchto prostriedkov sa znižujú riziká pochádzajúce z prachu.

**POUŽÍVANIE ELEKTRICKÉHO NÁSTROJA A STAROSTLIVOSŤ OŇ**

- **Na nástroj nevyvíjajte silu. Používajte vhodný nástroj pre dané použitie.** Správny mechanický nástroj splní svoju úlohu lepšie a bezpečnejšie pri rýchlosti, na ktorú je určený.
- **Mechanický nástroj nepoužívajte, ak spínač nezapína a nevypína nástroj.** Mechanický nástroj, ktorý sa nedá ovládať spínačom, je nebezpečný a musí sa dať opraviť.
- **Pred vykonaním akýchkoľvek úprav, výmene príslušenstva alebo odložením mechanického nástroja odpojte zástrčku zo sieťovej zásuvky a/alebo jednotky akumulátora.** Takéto preventívne opatrenie znižuje riziko neúmyselného spustenia mechanického nástroja.
- **Nečinné mechanické nástroje odložte mimo dosahu detí a nedovoľte používať mechanický nástroj osobám neoboznáneným s mechanickým nástrojom alebo týmito pokynmi.** Mechanické nástroje sú v rukách netrénovaných osôb nebezpečné.
- **Na mechanických nástrojoch vykonávajte údržbu. Skontrolujte, či pohyblivé diely nie sú nesprávne nastavené alebo zablokované, či niektoré diely nie sú poškodené, ako aj akýkoľvek iný stav, ktorý by mohol ovplyvniť činnosť mechanického nástroja. V prípade poškodenia nechajte mechanický nástroj pre použitím opraviť.** Veľké množstvo nehôd je spôsobených nedostatočnou údržbou mechanických nástrojov.
- **Rezacie nástroje udržiavajte ostré a v čistote.** Správne udržiavané rezacie nástroje s ostrými ostriami sa menej pravdepodobne zaseknú a ľahšie sa ovládajú.
- **Mechanický nástroj, príslušenstvo a vrtáky a pod., používajte v súlade s týmto návodom, pričom berte do úvahy pracovné podmienky a úlohu, ktorú chcete vykonať.** Pri používaní mechanického nástroja na iné ako určené činnosti môže dôjsť k nebezpečným situáciám.

**POUŽÍVANIE AKUMULÁTORA A STAROSTLIVOSŤ OŇ**

- **Nabíjajte len s použitím nabíjačky špecifikovanej výrobcom.** Nabíjačka, ktorá je vhodná pre jeden typ jednotky akumulátora, môže pri použití s inou jednotkou akumulátora spôsobiť riziko požiaru.

- **Používajte len mechanické nástroje so špecificky určenými jednotkami akumulátorov.** Pri použití iných jednotiek akumulátora vzniká riziko poranenia a požiaru.
- **Keď sa jednotka akumulátora nepoužíva, nedávajte ju do blízkosti iných kovových objektov, ako sú papierové sponky, mince, kľúče, klinec, skrutky či iné malé kovové predmety, ktoré by mohli skratovať svorky.** Pri skratovaní svoriek akumulátora môže dôjsť k popáleninám alebo požiaru.
- **Za nevhodných podmienok, keď by z batérie vytekala kvapalina, predchádzajte kontaktu s ňou. Pri náhodnom kontakte opláchnite vodou.** Ak tekutina zasiahne oči, dodatočne vyhladajte lekársku pomoc.
- **Tekutina vytečená z akumulátora môže spôsobiť podráždenie alebo popálenie.**

#### OPRAVY

- Servis mechanického nástroja prenechajte kvalifikovanému servisnému pracovníkovi s použitím len identických náhradných dielov. Takto zachováte bezpečnosť mechanického nástroja.

#### VAROVANIE

Nikdy nepoužívajte rezné prostriedky alebo zariadenia, nie sú špecifikované firmou Ryobi. Vztahuje sa to aj používanie kovových otočných viackusových reťazí a cepových čepelí. O týchto nástrojoch je známe, že počas prevádzky e dochádza k ich zničeniu a predstavujú tak vysoké riziko vážneho zranenia operátora alebo okoloidúcich.

#### VAROVANIE

Kontrola po páde či iných nárazoch: Dôkladne skontrolujte produkt a zistite na ňom prípadné poruchy, či poškodenia. Akýkoľvek poškodený diel sa musí náležite opraviť alebo vymeniť v autorizovanom servisnom centre.

#### DRÔTOVÝ OREZÁVAČ – BEZPEČNOSTNÉ VÝSTRAHY

- Niektoré regióny majú nariadenia, ktoré obmedzujú použitie produktu. Poradte sa s miestnym úradom.
- Produkt nikdy nedovoľte používať deťom alebo osobám neoboznámeným s návodom na použitie.
- Produkt používajte za denného svetla alebo pri dobrom umelom osvetlení.
- Nepoužívajte na mokrej tráve.
- Pri používaní produktu nekráčajte dozadu.
- Udržujte bezpečný postoj a rovnováhu. Neprecaňujte sa. Precaňovanie sa môže spôsobiť stratu rovnováhy. Na svahoch vždy dbajte na pevnú oporu nôh. Chodte

krokom, nikdy nebežte.

- Nepoužívajte produkt, keď hrozí riziko blesku.
- Nevystavujte produkt dažďu ani mokrému prostrediu. Voda, ktorá vnikne do zariadenia, zvyšuje riziko úrazu elektrickým prúdom.
- Okolostojace osoby, deti a domáce zvieratá, musia stáť min. 15 m od pracovného priestoru. Ak nejaká osoba vstúpi do pracovného priestoru, zastavte produkt.
- Rezný nástavec udržiavajte pod úrovňou pásu.
- Nikdy nepoužívajte produkt, ktorý má poškodené kryty alebo keď kryty nie sú nasadené.
- Nikdy nenasadzujte kovový náhradný drôt.
- Neustále, najmä pri zapínaní motora, držte ruky a nohy mimo dosahu rezných prostriedkov.
- Pozor, rezné prvky pokračujú v otáčaní aj po vypnutí motora.
- Pozor na objekty vymrštené rezným nástrojom. Pred začatím práce odstráňte z pracoviska kamienky, štrk a ostatné cudzie predmety. Do rezných zariadení sa môžu zamotať vodiče alebo vlákna.
- Vypnite a odpojte z elektrickej siete, pred:
  - servis
  - ponechanie produktu bez dozoru
  - čistenie produktu alebo odstránenie upchatia
  - výmena príslušenstva
  - skontrolujte akékoľvek poškodenie po zásahu objektom
  - skontrolujte akékoľvek poškodenie, ak produkt začne neštandardne vibrovať
  - vykonávanie údržby
  - odmontovanie noža
  - inštalácia noža
- Malé ostrie nasadené na kryt na trávnik slúži na orezávanie vysúvacieho vlákna na správnu dĺžku za účelom bezpečnej a optimálnej prevádzky. Je veľmi ostré, nedotýkajte sa ho, najmä pri čistení nástroja.
- Vždy skontrolujte, či vetracie otvory nie sú upchaté úlomkami.
- Skontrolujte, či je rezný nástavec správne namontovaný a bezpečne upnutý.
- Skontrolujte, či sú všetky kryty, odchyľovače a rukoväte bezpečne nasadené.
- Izdelka na noben način ne spreminajte. Táto situácia sa objaví len pri intenzívnom využívaní náradia.
- Používajte len náhradné rezné vlákno výrobcu. Nepoužívajte žiadne iné rezné nástavce.

#### BEZPEČNOSTNÉ PREDPISY PRE KROVINOREZ

- Okrem vyššie uvedených pravidiel, pri používaní výrobku v režime krovinnorezu, sú platné tieto dodatočné pokyny.

- Používajte vysoko odolné pracovné rukavice pri inštalácii alebo demontovaní nožov, ktoré majú ostré hrany.
- Ne pokúšajte sa dotýkať rotujúceho ostria, ani ho zastaviť.
- Pohybujúci sa nôž môže spôsobiť vážne zranenie. Pevne obidvomi rukami udržiajte kontrolu nad výrobkom, až kým sa nôž úplne neprestane otáčať.
- Vymeňte ostrie, ktoré bolo poškodené. Pred každým použitím vždy skontrolujte, či je ostrie namontované správne a bezpečne utiahnuté.
- Používajte len náhradné ostrie výrobcu Tri-Arc. Nepoužívajte žiadne iné rezné nástavce.
- Nikdy nerezte žiadny materiál s priemerom nad 1.25 cm (0.5 in.).
- Krovínorez je vybavený popruhom. Dôsledne nastavte postroj tak, aby pomáhal niesť hmotnosť zariadenia a visel na vašej pravej strane.
- Oboznámte sa s činnosťou mechanizmu rýchleho uvoľnenia a vyskúšajte si jeho používanie predtým, ako začnete používať zariadenie. Jeho správne použitie môže zabrániť vážnemu poraneniu v prípade ohrozenia. Nikdy nenoste na stroji ďalší odev ani nijako inak neobmedzujte prístup k mechanizmu rýchleho uvoľnenia.
- Pred skladovaním zariadenia alebo počas prepravy zakryte ostrie ochranným krytom ostria. Pred použitím zariadenia vždy odstráňte ochranný kryt ostria. Pokiaľ ochranný kryt ostria neodstránite, mohlo by dôjsť k jeho vymršteniu, ako sa ostrie začne otáčať.
- Pri použití ostria s produktom buďte mimoriadne opatrní. Zachytenie ostria je reakcia, ktorá nastane, keď sa rotujúce ostrie dostane do kontaktu a čímkoľvek, čo nedokáže prerezať. Tento kontakt môže spôsobiť zastavenie ostria na okamih a následné šklbnutie zariadenie smerom od zasiahnutého predmetu. Táto reakcia môže byť dostatočne prudká, aby spôsobila stratu kontroly obsluhujúcej osoby nad zariadením. Ak sa ostrie zachytí, zapadne alebo zovrie, môže bez výstrahy dôjsť k jeho posoteniu. K tomu pravdepodobnejšie dôjde na miestach, kde je ťažké vidieť práve rezaný materiál.
- Ak chcete rezať ľahko a bezpečne, prístupujte k rezanej burine sprava doľava. V prípade neočakávaného kontaktu s nejakým predmetom alebo dreveným pňom tak môžete minimalizovať reakciu pri zachytení ostria. Na ovládanie tohto produktu sa neustále musia používať obe ruky.

### PREPRAVA A SKLADOVANIE

- Pred uskladnením alebo prepravou zastavte produkt a nechajte ho vychladnúť.
- Odstráňte zo zariadenia všetky cudzie materiály. Ak je rezaný nôž namontovaný, nasadte naň chránič noža.
- Pred skladovaním vždy odpojte od elektrickej siete a naviňte kábel. Odložte ho na suché a dobre

vetrané miesto, na ktoré nemajú prístup deti. Nariadenie neuskladňujte v blízkosti žieravých látok, ako napríklad v blízkosti záhradníckych chemických prípravkov alebo solí na zimný posyp komunikácií. Neskladujte v exteriéri.

- Pri preprave zaistite produkt pred pohybom alebo pádom, aby nedošlo k poraneniu osôb alebo poškodeniu produktu.

### ÚDRŽBA

#### VAROVANIE

Používajte len originálne náhradné diely, príslušenstvo a nástavce výrobcu. V opačnom prípade môže dôjsť k možnému poraneniu, nedostatočnému výkonu a strate platnosti záruky.

#### VAROVANIE

Údržba vyžaduje extrémnu starostlivosť a znalosti, a musí byť prevádzkaná výhradne v autorizovanom servise. Z dôvodu servisu vám odporúčame vrátiť výrobok do najbližšieho autorizovaného servisného centra na opravu. Ak výrobok opravujete, používajte iba rovnaké originálne náhradné diely.

- Vypnite a vyberte sadu batérií pred vykonávaním akejkoľvek údržby alebo čistenia.
- Môžete vykonávať úpravy a opravy popísané v tejto príručke. Pri ostatných opravách sa obráťte na autorizovaného servisného zástupcu.
- Pri výmene drôtu používajte len nylonové drôtené vlákno s priemerom predpísaným v tabuľke špecifikácií tejto príručky.
- Po predžení nového rezného drôtu vždy vráťte produkt pred spustením do štandardnej prevádzkovej polohy.
- Po každom použití vyčistite produkt mäkkou suchou tkaninou. Akýkoľvek poškodený diel sa musí náležite opraviť alebo vymeniť v autorizovanom servisnom centre.
- Skontrolujte všetky skrutky, matice v častých intervaloch či sú riadne utiahnuté, aby sa zaistila bezpečná prevádzka produktu.

### ZVYŠKOVÉ RIZIKÁ:

Aj keď sa nástroj používa podľa predpisu, nie je možné eliminovať určité zvyškové rizikové faktory. Pri použití vznikajú nasledujúce riziká a obsluhujúca osoba musí venovať zvláštnu pozornosť, aby nedošlo k nasledovnému:

- Zranenie spôsobené vibráciami. Produkt držte za rukoväť na to určené a obmedzte pracovný čas a expozíciu.
- Poškodenie sluchu v dôsledku vystaveniu hluku. Používajte ochranu sluchu a obmedzte expozíciu.
- Zranenie spôsobené vymrštenou sutinou

Neustále používajte ochranu zraku.

Kontakt s rezacími zariadeniami. Keď produkt nepoužívate, vždy nasadte kryty ostrí. Ruky a nohy nikdy nedávajte do blízkosti ostrí.

Pri použití krovinorezu sa môže vyskytnúť spätný ráz. Zabezpečte riadne ovládanie oboma rukami na určených rukovätiach. Prečítajte si a dodržiavajte pokyny v tejto príručke, aby sa pomohlo znížiť riziko vzniku spätného rázu.

Nebezpečenstvo padajúcich predmetov: Pri rezaní kríkov používajte ochranu, ak existuje akékoľvek riziko padajúcich predmetov.

### OBMEDZENIE RIZIKA

Boli hlásené prípady, kedy vibrácie z ručných produktov u niektorých osôb prispeli k stavu nazývanému Raynaudov syndróm. K symptómom patria: trpnutie, znecitlivenie a blednutie prstov, zvyčajne zjavné po vystavení zime. Je známe, že k vývoju týchto symptómov prispievajú: dedičné faktory, vystavovanie zime a vlhkosti, diéta, fajčenie a pracovné návyky. Opatrenia, ktoré môže vykonať obsluhujúca osoba na možné zníženie účinkov vibrácií:

- V studenom počasí udržiavajte svoje telo v teple. Pri práci s produktom noste rukavice, aby ste mali ruky a zápästia v teple. Boli hlásené prípady, kedy hlavným faktorom prispievajúcim k Raynaudovmu syndrómu bolo studené počasie.
- Po každom určitom časovom úseku prevádzky cvičte, aby ste zlepšili krvný obeh.
- Počas práce si dajte časté prestávky. Obmedzte počet vystavení za deň.

Ak zistíte ktorýkoľvek zo symptómov tohto stavu, okamžite prerušte používanie zariadenia, navštívte svojho lekára a povedzte mu o symptómoch.

### VAROVANIE

Pri dlhodobom alebo zvýšenom používaní môže dôjsť k zraneniam. Pri používaní nástroja príliš dlhé obdobia si vždy dajte pravidelné prestávky.

### OBOZNÁMTE SA S VAŠIM PRODUKTOM

Pozrite stranu 154.

1. Horný hriadeľ
2. Bicyklová rukoväť
3. Spínač na zapnutie/vypnutie
4. Spínač
5. Spojka hriadeľa
6. Dolný hriadeľ
7. Odchýľovač trávy
8. Orezávacie ostrie
9. Rezací drôt
10. Nárazová hlava
11. Kryt cievky
12. Cievka

13. Pútko
14. Blokovací spínač
15. Ovládač premenlivých otáčok
16. Predná rukoväť
17. Chránič čepele
18. Ostrie Tri-Arc
19. Ochranný kryt ostria
20. Batéria
21. Tlačidlo západky akumulátora
22. Nabíjací kábel
23. Nabíjačka

### SYMBOLY NA PRODUKTE



Výstražná značka



Pred použitím produktu si s porozumením prečítajte všetky pokyny a dodržiavajte výstražné a bezpečnostné upozornenia.



Používajte chrániče zraku, sluchu a hlavy.



Pri používaní tohto produktu používajte nešmyklavú obuv.



Používajte protišmykové odolné rukavice.



Nevystavujte dažďu ani nepoužívajte vo vlhkom prostredí.



Tento produkt nie je určený na použitie s typmi ostrí s ozubením.



Smer otáčania a maximálna rýchlosť hriadeľa pre rezný nástavec.



Ťahať:  
Výložka rýchleho uvoľnenia



Pozor na vymrštené alebo odletujúce objekty. Okolostojacich udržiavajte v bezpečnej vzdialenosti od produktu.



Pozor na vymrštené alebo odletujúce objekty. Všetky okolostojace osoby (najmä deti a domáce zvieratá) musia stať minimálne 15 m od miesta práce



Nikdy nedávajte ruky do blízkosti orezávacieho ostria.



Dajte pozor na odmrštenie noža.



Tri-Arc trojzubý nôž je vyhradený pre tento výrobok a hodí sa na rezanie dužinatej buriny a popínových rastlín.





Opatrované elektrické zariadenia by ste nemali odhadzovať do domového odpadu. Prosíme o recykláciu ak je možné. Kontaktujte miestne úrady, alebo predajcu pre viac informácií ohľadom ekologického spracovania.



Vyhovuje všetkým regulačným normám v krajine EÚ, v ktorej bol výrobok zakúpený.



Euroázijská značka zhody



Ukrajinské označenie zhody



Garantovaná hladina akustického výkonu pre krovinořez



Garantovaná hladina akustického výkonu pre strunovú kosačku

## SYMBOLY V TOMTO NÁVODE



Pripojte do elektrickej zásuvky



Odpojte z elektrickej zásuvky



Diely alebo príslušenstvo predávané samostatne



Poznámka

Nasledujúce značky a významy vysvetľujú úroveň rizika spojeným s výrobkom.

### **NEBEZPEČENSTVO**

Označuje bezprostredne nebezpečnú situáciu, ktorá môže vyústiť v smrť, alebo vážne zranenie.

### **VAROVANIE**

Označuje potenciálne nebezpečnú situáciu, ktorá môže vyústiť v smrť, alebo vážne zranenie.

### **VÝSTRAHA**

Označuje potenciálne nebezpečnú situáciu, ktorá môže vyústiť v ľahké, alebo stredne ťažké zranenie.

Безопасността, производителността и надеждността са аспектите, на които е отделен най-голям приоритет при проектирането на вашия безжичен хрсторез и тример за трева.

### ПРЕДНАЗНАЧЕНИЕ

Тримерът с корда/резачката за храсти е предназначена да се използва само от възрастни, които са прочели и разбрали указанията и предупрежденията в това ръководство и могат да се считат за отговорни за своите действия. Продуктът е предназначен за използване само на открити и добре проветрени пространства. От съображения за сигурност, продуктът трябва да бъде управляван адекватно чрез работа с двете ръце.

Продуктът с прикачена кордова тримерна глава е предназначен за рязане на дълги стръкове трева, бурени и подобна растителност на нивото на земята или малко над него. Когато е оборудван с режещ диск Tri-Arc™ (и подходящия предпазител), той също може да реже храсти.

Плоскостта на косене трябва да е приблизително успоредна на земната повърхност. Продуктът не трябва да се използва за рязане или подрязване на жив плет, храсталаци или друга растителност, при която плоскостта на рязане не е успоредна на земната повърхност.

### ▲ ПРЕДУПРЕЖДЕНИЕ

При използване на продукта трябва да се спазват правилата за безопасност. За осигуряване на вашата безопасност и тази на страничните наблюдатели прочетете тези инструкции, преди да работите с продукта. Съхранявайте ръководството за експлоатация на сигурно място, за да можете да го ползвате и по-късно.

### ▲ ПРЕДУПРЕЖДЕНИЕ

Продуктът не е предназначен за използване от деца или от лица с намалени физически, сетивни или умствени способности. Децата трябва да бъдат надзирани, за да се гарантира, че не си играят с уреда.

### ОБУЧЕНИЕ

- Не позволявайте на деца или на лица, незапознати с инструкциите да използват продукта.
- Прочете инструкциите внимателно. Запознайте се с всички контроли и с правилния начин за използване на продукта.
- Не позволявайте присъствието на странични наблюдатели, деца или животни в работната зона по време на рязане. Спрете продукта, ако някой навлезе в работната зона.
- Никога не използвайте продукта, ако сте уморени,

болни или под влиянието на алкохол, лекарства или медикаменти.

- Използвайте продукта само за рязане на трева и малки бурени. Не го използвайте за никакви други цели.
- Трябва да знаете, че операторът или потребителят е отговорен за причиняването на злополуки или щети на други лица или имущество.

### ПОДГОТОВКА

- Носете пълна защитна екипировка за очите и слуха ви, когато боравите с продукта. Ако работите в зона, където съществува риск от падащи предмети, трябва да носите каска.
- Защитните средства за слуха могат да попречат на оператора да чува предупредителните звуци.
- Бъдете особено внимателни за потенциални опасности в работната зона и около нея.
- Носете здрави дълги панталони, ботуши и ръкавици. Не носете широки дрехи, къси панталони или бижута и не използвайте машината, ако не сте с обувки.
- Дългата коса трябва да бъде прибрана на ниво над раменете, за да се избегне нейното заплитане в движещите се части.
- Преди употреба и след всяко въздействие проверете дали няма повредени части. Поправянето или заменянето на дефектен превключвател или повредени или износени части трябва да се извършва само от упълномощени сервиси.
- Уверете се, че приспособлението за рязане е правилно монтирано и здраво закрепено.
- Никога не работете с продукта, докато всички предпазители, отклонители и ръкохватки не са прикрепени правилно и стабилно.
- Помислете за средата, в която работите. Прочиствайте работната зона от жици, пръчки, камъни и отпадъци, които биха могли да бъдат захвърлени във въздуха, ако попаднат в съприкосновение с режещия механизъм.

### ОБЩИ ПРЕДУПРЕЖДЕНИЯ ЗА БЕЗОПАСНОСТ

#### ▲ ПРЕДУПРЕЖДЕНИЕ

**Прочетете всички предупреждения относно безопасността и всички инструкции.** Неспазването на предупрежденията и инструкциите може да доведе до токов удар, пожар и/или сериозни наранявания.

Съхранявайте всички предупреждения и инструкции за бъдещи справки. Терминът "електрически инструмент" в предупрежденията се отнася за вашия инструмент - със захранване от електрическата мрежа (с кабел) или на батерия (безжичен).

## БЕЗОПАСНОСТ НА РАБОТНАТА ЗОНА

- **Поддържайте работното пространство чисто и добре осветено.** Безпорядъкът или тъмнината в работното пространство са предпоставка за злополуки.
- **Не използвайте електрически инструменти в експлозивни среди, например в присъствието на запалителни течности, газове или прах.** По време на работа електрическите инструменти произвеждат искри, които могат да възпламенят прах или пари.
- **Дръжте децата и страничните наблюдатели далече, докато боравите с електрически инструмент.** Ако вниманието ви бъде отклонено, може да загубите контрола над електрическия инструмент.

## ЕЛЕКТРИЧЕСКА БЕЗОПАСНОСТ

- **Щепселът на електрическия инструмент трябва да е съвместим с контакта. В никакъв случай не внасяйте изменения в конструкцията на щепсела.** Когато работите със занулени електрически инструменти, не използвайте адаптери за щепсела. Използването на оригиналните щепсели и контакти намалява риска от токов удар.
- **Избягвайте допир със заземени повърхности, като тръби, радиатори, печки и хладилници.** Когато тялото ви е заземено, рискът от възникване на токов удар е по-голям.
- **Не излагайте продукта на дъжд или влажни условия.** Проникването на вода в електрическия инструмент повишава опасността от токов удар.
- **Не насилвайте захранващия кабел.** Никога не носете, не изключвайте и не дърпайте електрическия инструмент за кабела. Предпазвайте кабела от нагряване, омасляване, допир до остри ръбове или до подвижни звена на машини. Повредените или усукани кабели увеличават риска от токов удар.
- **Когато работите с електрически инструмент на открито, използвайте само удължителни кабели, предназначени за работа на открито.** Използването на удължител, предназначен за работа на открито, намалява риска токов удар.
- **Ако не можете да избегнете използването на електрически инструмент на влажно място, използвайте RCD (прекъсвач със защитно изключване).** Използването на RCD намалява опасността от електрически удар.

## ЛИЧНА БЕЗОПАСНОСТ

- **Бъдете бдителни, внимавайте какво правите и проявявайте благоразумие, когато боравите с електрически инструмент.** Не използвайте електрическия инструмент, когато сте уморени или под влиянието на наркотични вещества, алкохол или лекарства. Миг невнимание, докато

боравите с електрически инструмент, е достатъчен за получаването на сериозни наранявания.

- **Използвайте лична защитна екипировка. Винаги носете защитни очила.** Защитната екипировка, като маска против прах, пригодени против плъзгане защитни обувки, твърда шапка или антифони, използвани за подходящите условия, ще намали опасността от физически наранявания.
- **Не допускайте нежелано стартиране. Преди да вдигате или носите инструмента и преди да го включвате в електрическата мрежа и/или батерия, винаги проверявайте дали превключвателят е на позиция OFF (изкл).** Носенето на инструмента с пръст върху превключвателя или включването му към електричеството, докато превключвателят му е на включен, е предпоставка за злополуки.
- **Махнете всички гаечни или френски ключове за настройка преди да включите инструмента.** Помощен инструмент, забравен на въртящ се елемент, може да доведе до физически наранявания.
- **Не се протягайте, за да работите на трудно достижими места. Винаги стъпвайте стабилно по време на работа и пазете равновесие.** Това дава възможност за по-добър контрол над електрическия инструмент в неочаквани ситуации.
- **Обличайте се целесъобразно. Не носете широки дрехи или украшения. Дръжте косата, дрехите и ръкавиците си на безопасно разстояние от подвижните елементи.** Широките дрехи, украшенията, дългите коси могат да бъдат захванати и увлечени от движещи се елементи.
- **Ако устройствата са оборудвани със съоръжение за издърпване и събиране на прах, уверете се, че е то свързано и функционира правилно.** Използването на устройства за събиране на прах ще намали рисковете, свързани с работа в прашни условия.

## ИЗПОЛЗВАНЕ И ОБСЛУЖВАНЕ НА ЕЛЕКТРИЧЕСКИЯ ИНСТРУМЕНТ

- **Не насилвайте продукта.** Използвайте електрическия инструмент, съобразно неговото предназначение. Правилно подбраният електрически инструмент ще свърши работата по-добре и по-безопасно в зададения от производителя диапазон на натоварване.
- **Не използвайте електрически инструменти, чиито пусков прекъсвач е повреден.** Електрически инструмент, който не може да бъде контролиран посредством превключвател, е опасен и трябва да бъде ремонтиран.
- **Изключете щепсела от източника на захранване и/или батерията от електрическия инструмент, преди да извършвате каквито и да е корекции, да сменят принадлежностите и преди**

съхраняване на електрическите инструменти  
Тази марка премахва опасността от задействане на електрическия инструмент по невнимание.

- **Съхранявайте незаеетите електрически инструменти на недостъпни за деца места и не позволявайте на лица, непознати с инструмента или с тези указания, да боравят с него.** Когато са в ръцете на неопитни потребители, електрическите инструменти могат да бъдат изключително опасни.
- **Поддържайте електрическите инструменти в изправност.** Проверявайте за неизправности или заклиняване в подвижните елементи, за счупени части или други обстоятелства, които могат да влошат работата на електрическия инструмент. Преди да използвате електрическия инструмент, се погрижете повредите да бъдат отстранени. Много от трудовете злополуки се дължат на недобре поддържани електрически инструменти.
- **Поддържайте режещите инструменти винаги добре заточени и чисти.** Инструменти, за които е полагана правилна грижа и са с добре наточени режещи елементи, се управляват по-лесно и вероятността да заядат е по-малка.
- **Използвайте електрическите инструменти, принадлежностите и режещите и др. части съобразно тези указания, като се съобразявате с работните условия и с работата, която ще извършвате.** Използването на електрически инструменти за различни от предвидените от производителя приложения повишава опасността от възникване на трудови злополуки.

#### ИЗПОЛЗВАНЕ И ОБСЛУЖВАНЕ НА ИНСТРУМЕНТА С БАТЕРИЯ

- **Презареждайте единствено със зарядното устройство, посочено от производителя.** Зарядно устройство, подходящо за зареждане на един вид батерии, може да предизвика риск от пожар, ако бъде използвано за други батерии.
- **Използвайте електрически инструменти с батерии единствено със специално предназначение за тях батерии.** Използването на всякакви други батерии може да създаде риск от нараняване и пожар.
- **Когато батерията не се използва, съхранявайте я далеч от други метални обекти, като например кламери, монети, ключове, гвоздеи, гайки или други малки метални обекти, които могат да направят връзка между клемите.** Късото съединение от клемите може да доведе до изгаряния или пожар.
- **При неправилно използване батерията може да отдели течност; избягвайте контакт. Ако случайно настъпи контакт, промийте с вода.** Ако течността влезе в контакт с очите, потърсете

допълнително медицинска помощ.

- **Отделената от батерията течност може да причини възпаление или изгаряния.**

#### СЕРВИЗНО ОБСЛУЖВАНЕ

- Ремонтът на електрическите инструменти трябва да се извършва само от квалифицирани специалисти и само с използването на оригинални резервни части. По този начин се гарантира поддържането на безопасност при работа с електрическия инструмент.

#### ▲ ПРЕДУПРЕЖДЕНИЕ

Никога не използвайте режещи механизми или приставки, които не са посочени от Ryobi в това ръководство. Това включва използването на многокомпонентни метални шарнирни вериги и вършачки. Известно е, че тези компоненти могат да се повредят по време на употреба и създават сериозен риск от нараняване на оператора или страничните наблюдатели.

#### ▲ ПРЕДУПРЕЖДЕНИЕ

Проверка след изпускане или други удари: Внимателно проверете продукта и установете дали е засегнат, или има повреда по него. Всяка повредена част трябва да бъде поправена или заменена от упълномощен сервизен център.

#### ПРЕДУПРЕЖДЕНИЯ ЗА БЕЗОПАСНОСТ НА ТРИМЕРА

- В някои региони действат наредби, които ограничават употребата на продукта. За съвети се обръщайте към местните власти.
- Не позволявайте на деца или на лица, непознати с инструкциите да използват продукта.
- Използвайте продукта през деня или при добро изкуствено осветление.
- Избягвайте използването върху мокро стъкло.
- Не ходете назад, докато използвате продукта.
- Заемайте стабилна позиция и пазете баланс. Не се протягайте, за да работите на трудно достижими места. Протягането може да доведе до загуба на равновесие. Винаги стъпвайте внимателно и стабилно на стръмни повърхности. Вървете, никога не тичайте, когато косите.
- Не използвайте продукта, когато има риск от мълнини.
- Не излагайте продукта на дъжд или влажни условия. Проникването на вода в уреда повишава риска от токов удар.
- Дръжте всички странични наблюдатели, деца и домашни животни на разстояние поне 15 метра

от работната зона. Спрете продукта, ако някоя навлезе в работната зона.

- Дръжте приспособлението за рязане под нивото на кръста.
- Никога не използвайте продукта, ако предпазителите са повредени или ако не са на мястото си.
- Никога не поставяйте метална корда.
- Дръжте ръцете и краката си далеч от режещите части и особено при включване на мотора.
- Внимавайте, режещите елементи продължават да се въртят след изключването на мотора.
- Внимавайте за обекти, захвърлени от режещия механизъм. Почистете отпадъците като малки камъни, чакъл и други чужди обекти от работната зона, преди да започнете работа. В режещите елементи могат да се заплетат жици или влакна.
- Изключете инструмента и извадете кабела от захранването преди:
  - обслужване
  - оставяне на продукта без надзор
  - почистване на продукта или отстраняване на препятствия
  - смяна на принадлежности
  - проверка за повреда след удряне на обект
  - Проверка за повреда, ако продуктът започне да вибрира необичайно
  - извършване на профилактика
  - сваляне на острието
  - монтиране на острието
- Малкото острие, монтирано към предпазителя, е проектирано за подрязване на новата удължена линия до правилната дължина за целите на безопасната и оптимална производителност. Острието е изключително остро; не го докосвайте, особено когато почиствате инструмента.
- Винаги проверявайте дали по вентилационните отвори има отпадък.
- Уверете се, че приспособлението за рязане е правилно монтирано и здраво закрепено.
- Уверете се, че всички предпазители, отклонители и дръжки са правилно стабилно прикрепени.
- По никакъв начин не модифицирайте izdelieto. Това може да увеличи риска от сериозни физически наранявания или имуществени щети.
- Подменяйте режещото влакно само с оригинално такова от производителя. Не използвайте никакво друго режещо приспособление.

#### ПРАВИЛА ЗА БЕЗОПАСНОСТ ЗА РЕЗАЧКАТА ЗА ХРАСТИ

- В допълнение към горните правила, тези допълнителни указания са подходящи, когато използвате продукта в режим на резачка за храсти.

- Използвайте ръкавици, предназначени за тежък режим на работа, при монтиране или премахване на дисковете, които имат остри ръбове.
- Не докосвайте и не се опитвайте да спирате острието, когато се върти.
- Въртящ се диск може да причини сериозни наранявания. Поддържайте правилно управление на продукта с двете ръце, докато дискът напълно спре да се върти.
- Заменяйте повредените остриета. Всеки път преди да използвате уреда, проверявайте дали острието е правилно и стабилно монтирано.
- За подмяна използвайте само оригинално Tri-Arc острие от производителя. Не използвайте никакво друго режещо приспособление.
- Не режете материали с диаметър над 1.25 cm (0.5 in.).
- Вашата резачка за храсти е оборудвана със сбруя. Внимателно регулирайте ремъка, така че да поддържа тежестта на машината и да е закачен удобно от дясната ви страна.
- Запознайте се с механизма за бързо освобождаване и упражнявайте използването му, преди да започнете да работите с машината. Правилното използване на този механизъм може да предотврати сериозно нараняване при възникване на извънредна ситуация. Никога не носете допълнително облекло над ремъка за закачане, защото така се блокира достъпът до механизма за бързо освобождаване.
- Съхранявайте и транспортирайте уреда само с монтиран предпазител на острието. Винаги махайте предпазителя, преди да използвате уреда. Предпазителят може да изхвърчи, ако острието започне да се върти, докато е монтиран.
- Проявявайте изключително внимание при боравенето с този продукт, когато е с прикачено острие. Ако острието влезе в съприкосновение с нещо, което не може да пререже, може да възникне реакцията обратен тласък. При такова съприкосновение острието може да спре рязко и внезапно да „тласне“ уреда в посока, обратна на ударения предмет. Тази реакция може да е достатъчно мощна, за да причини загубата на контрол над инструмента. Обратен тласък може да възникне изненадващо, ако острието се закачи, заткне или блокира. Вероятността за обратен тласък се увеличава в области, където материалът, който трябва да бъде отрязан, се вижда трудно.
- За лесно и безопасно рязане пристъпвайте към бурените, които ще режете, от дясно на ляво. Това може да намали силата на обратния тласък при неочакваната среща с дървен материал. За управление на този продукт винаги трябва да се използват двете ръце.

## ТРАНСПОРТИРАНЕ И СЪХРАНЕНИЕ

- Спрете продукта и го изчакайте да се охлади, преди да го транспортирате или приберете за съхранение.
- Почистете продукта от всички чужди частици. Ако е поставено острие, използвайте предпазителя му.
- За съхранение винаги изключвайте от електрическата мрежа и навийте кабела. Съхранявайте я на хладно, сухо и добре проветрявано място, което е недостъпно за деца. Не го оставяйте в близост до корозивни материали като градински химикали или соли за размразяване. Не съхранявайте на открито.
- Когато транспортирате продукта, го обезопасете така, че да не може да се движи или да падне, защото това може да доведе до евентуални наранявания на хора или повреди по продукта.

## ПОДДРЪЖКА

### ⚠ ПРЕДУПРЕЖДЕНИЕ

Използвайте само оригинални резервни части, аксесоари и приставки от производителя. В противен случай може да се влоши работата на инструмента или да получите тежки контузии, а гаранцията ви ще стане невалидна.

### ⚠ ПРЕДУПРЕЖДЕНИЕ

Сервизното обслужване изисква изключително внимание и специфични познания и следва да бъде извършвано само от квалифициран техник. За сервизно обслужване и поправка препоръчваме да занесете продукта до най-близкия упълномощен се рвизен цен тър. При ремонт използвайте само идентични резервни части.

- Изключете и извадете батерията, преди да извършите каквито и да било дейности по профилактика или почистване.
- Можете да правите настройки и поправки, описани в това ръководство на потребителя. За други поправки се свържете с агент на упълномощения сервиз.
- Когато трябва да смените кордата, използвайте само корда с найлонови влакна със съответния диаметър, посочен в таблицата със спецификации в настоящото ръководство.
- След удължаване на ново режещо влакно винаги връщайте продукта в нормална за работа позиция, преди да го включите.
- Всеки път след употреба почиствайте продукта с мека и суха кърпа. Всяка повредена част трябва да бъде поправена или заменена от упълномощен сервизен център.

- Периодично проверявайте дали всички гайки, болтове и винтове са правилно затегнати, за да сте сигурни, че продуктът е в изправност.

## НЕПРЕДВИДЕНИ РИСКОВЕ.

Дори когато продуктът се използва по предназначение, е невъзможно напълно да се ограничи влиянието на определени рискови фактори. Рисковете, описани по-долу, може да възникнат по време на употреба и операторът трябва да внимава за избягването на следното:

- Нараняване, причинено от вибрация. Дръжте продукта за предназначенияте ръкохватки и ограничавайте времето за работа.
- Увреждане на слуха в следствие на излагане на шум.
- Носете антифони и ограничете излагането.
- Наранявания, причинени от отхвъркнали отломки

По всяко време носете защитни средства за очите.

Контакт с режещите механизми. Уверете се, че предпазителят на остриетата са поставени, когато продуктът не се използва. Винаги дръжте ръцете и краката си далече от остриетата.

При използването на хростореза може да възникне откат. Осигурете правилно управление с помощта на двете си ръце върху определените дръжки. Прочетете и следвайте указанията в това ръководство, за да намалите риска от обратен удар.

Риск от падащи предмети: Когато режете клонки, носете каска, ако съществува риск от падащи предмети.

## ΜΕΙΩΣΗ ΚΙΝΔΥΝΟΥ

Установено е, че вибрациите, произведени от ръчноуправляеми продукти, могат да предизвикат у някои лица заболяване, наречено Синдром на Рейнолд (Raynaud's Syndrome). Симптомите може да включват изтръпване, схващане и избледняване на пръстите, обикновено се забелязват при излагане на студ. Смята се, че наследствените фактори, излагането на студ и влага, диетите, пушенето и някои работни навици допринасят за развитието на тези симптоми. Могат да се вземат някои мерки, които могат да се предприемат от оператора, за да се намалат ефектите от вибрациите:

- Поддържайте телесната температура в студено време. Когато работите с продукта, носете ръкавици, за да поддържате ръцете и китките си топли. Според изследванията главният фактор, допринасящ за развитието на Raynaud's Syndrome, е студеното време.
- Правете упражнения за активизиране на кръвообращението след всеки работен цикъл.
- Редовно излизайте в почивка. Ограничете излагането на вибрации на ден.

При поява на някой от симптомите на това заболяване, незабавно прекратете употребата на инструмента и посетете лекар.

## ⚠ ПРЕДУПРЕЖДЕНИЕ

Продължителното използване на инструмента може да доведе до наранявания или влошаване. При използване на инструмента за продължителни периоди от време правете чести почивки.

## ОПОЗНАЙТЕ ВАШИЯ ПРОДУКТ

Вж. страница 154.

1. Горен прът
2. Велосипедно кормило
3. Превключвател ПУСКАНЕ/СПИРАНЕ
4. Спусък
5. Снадка
6. Долен прът
7. Отклонител за трева
8. Острие за подрязване
9. Режещо влакно
10. Глава за потупване
11. Капак на макарата
12. Макара
13. Отвор
14. Спусък за фиксиране
15. Спусък за различна скорост
16. Предна ръкохватка
17. Предпазител на острието
18. Острие Tri-Arc
19. Предпазител за остриета
20. Батерия
21. Бутон за фиксатора на батерията
22. Кабел на зарядното устройство
23. Зарядно устройство

## СИМВОЛИ НА ПРОДУКТА



Предупреждение относно безопасността



Прочетете и осмислете всички указания, преди да започнете работа с продукта; спазвайте всички предупреждения и инструкции за безопасност.



Носете защитни средства за очите, слуха и главата.



Носете непързалици се защитни обувки, когато използвате продукта.



Носете здрави ръкавици, пригодени против плъзгане.



Не излагайте на дъжд и на влажни условия.



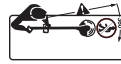
Този продукт не е предназначен за употреба с назъбени остриета, тип трион.



Максимална скорост и посока на въртене на оста за режещото приспособление.



Дърпане:  
Щифт за бързо освобождаване



Внимавайте за изхвърлени или летящи обекти. Дръжте наблюдателите на безопасно разстояние от продукта.



Внимавайте за изхвърлени или летящи обекти. Не допускайте странични наблюдатели, особено деца и домашни животни, на по-малко от 15 м от работната зона.



Дръжте ръцете си далече от острието за подрязване на кордата.



Пазете се от тягата на диска.



Острието Tri-Arc съответства за този продукт и е подходящо за рязане на месести бурени и асми.



Електрическите уреди не трябва да се изхвърлят заедно с битовите отпадъци. Рециклирайте, където има възможност. Обърнете се за съвет по рециклирането към местните власти или разпространителите.



Тази машина е в съответствие с нормативната уредба на държавата от ЕС, където е била закупена.



EurAsian знак за съответствие



Украински знак за съответствие



Гарантирано ниво на силата на шума за резачката за храсти



Гарантирано ниво на силата на шума за тримера с корда



**СИМВОЛИ В НАСТОЯЩОТО РЪКОВОДСТВО**

Свържете към електрически контакт.



Изключете от електрическия контакт



Частите или принадлежностите се продават отделно



Забележка

Следните сигнални думи и значенията им са предназначени да обяснят нивата на опасност, свързани с този продукт.

**⚠ ОПАСНОСТ**

Указва неминуемо опасна ситуация, която ако не бъде избегната, ще доведе до сериозни наранявания или смърт.

**⚠ ПРЕДУПРЕЖДЕНИЕ**

Указва потенциално опасна ситуация, която ако не бъде избегната, може да доведе до сериозни наранявания или смърт.

**⚠ ВНИМАНИЕ**

Указва потенциално опасна ситуация, която ако не бъде избегната, може да доведе до дребни или средни наранявания.

**ВНИМАНИЕ**

Без предупредителен символ за безопасност

Указва ситуация, която може да доведе до имуществени щети.

Головними міркуваннями при розробці цього куцорізу та мотокоси були безпека, ефективність та надійність.

### ПЕРЕДБАЧУВАНОМУ ВИКОРИСТАННІ

Тример/куцоріз призначений для використання тільки дорослими, які повністю прочитали та зрозуміли інструкції та попередження у цьому керівництві і можуть вважатися відповідальними за власні дії. Продукт призначений тільки для використання на відкритому повітрі у добре провітрюваній області. Задля безпеки керування інструментом має здійснюватися обома руками.

Прилад обладнаний робочою головою (із відповідним захистом) та призначений для зрізання довгої трави, м'якого бур'яну та рослинності близької до ґрунту або в рівень із ним. Якщо на інструменті встановлено ніж Tri-Arc™ (а також відповідний захисний щиток), він може використовуватися для підстригання куців.

Ріжуча площина повинна бути приблизно паралельна поверхні землі. Продукт не повинен бути використаний, щоб підрізати або обрізати живоплоти, чагарники або іншу рослинність, де ріжуча площина не паралельна поверхні землі.

#### ⚠ Попередження

При використанні продукту, потрібно дотримуватися правил безпеки. Для вашої власної безпеки та безпеки перехожих, будь ласка, прочитайте ці інструкції перед експлуатацією виробу. Будь ласка, зберіжіть інструкції з безпеки для подальшого використання.

#### ⚠ Попередження

Продукт не призначений для використання дітьми або особами з обмеженими фізичними, розумовими або сенсорними можливостями. Потрібно належним чином стежити за дітьми, щоб вони не грали з машиною.

### ПІДГОТОВКА

- Ніколи не дозволяйте дітям або людям, не знайомим з цими інструкціями, використовувати продукт.
- Уважно прочитайте інструкцію. Добре ознайомтеся з органами управління та правильним використанням машини.
- Тримайте область вільною від всіх перехожих, дітей і домашніх тварин, під час обрізки. Якщо будь-хто входить у зону роботи машини, зупиніть її.
- Не використовуйте цю машину, якщо ви втомилися, хворі, або під впливом алкоголю, наркотиків або ліків.
- Використовуйте продукт тільки для різання трави та легких бур'янів. Не використовуйте для будь-яких інших цілей.

- Майте на увазі, що оператор або користувач несе відповідальність за нещасні випадки або пошкодження спричинені іншим особам або їх майну.

### ПІДГОТОВКА

- Носіть повний захист очей і слуху під час роботи з продуктом. При роботі в місцях, де є ризик падіння предметів, потрібно носити захист для голови.
- Засоби захисту органів слуху можуть зашкодити можливості оператора чути попереджувальні звуки.
- Приділяйте особливу увагу можливим небезпекам навкруги та всередині робочої зони.
- Носіть важкі довгі штани, чоботи і рукавички. Не носіть широкий одяг, короткі штани, коштовності будь-якого виду та не використовуйте прилад босоніж.
- Зафіксуйте довге волосся вище рівня плеча, щоб запобігти заплутуванню в будь-яких рухомих частинах.
- Перед використанням і після кожної дії, переконайтеся, що немає пошкоджених частин. Несправний вимикач або будь-яка пошкоджена частина, повинні бути відремонтовані чи замінені в авторизованому сервісному центрі.
- Переконайтеся, що ріжуча насадка правильно встановлена та надійно закріплена.
- В жодному разі не користуйтеся приладом, поки всі захисні частини, дефлектори та ручки не будуть належним чином та надійно закріплені.
- Врахуйте середовище, в якому ви працюєте. Забезпечте, щоб робоча зона була вільною від дротів, палиць, каміння і уламків, які при зіткненні з лезом може пошкодити об'єкти.

### ЗАГАЛЬНІ ЗАХОДИ БЕЗПЕКИ

#### ⚠ Попередження

**Прочитайте всі правила безпеки та інструкції.** Недотримання попереджень та інструкцій може призвести до ураження електричним струмом, пожежі та / або серйозної травми.

Зберіжіть всі інструкції і вказівки для майбутнього використання. Термін "електроінструмент" "в попередженнях відноситься до Вашого мережевого (з кабелем) електроінструменту або з батарейним живленням (бездротового) електроінструменту.

### БЕЗПЕКА РОБОЧОГО МІСЦЯ

- **Утримуйте робоче місце в чистоті і добре освітленим.** Безлад на робочому місці або темні місця спричиняють аварії.
- **Не використовуйте продукт у вибухонебезпечних атмосферах, наприклад, у присутності легко**

займистих рідин, газів або пилу. Під час роботи косарки виникають іскри, що можуть призвести до займання пилу або парів.

- **Тримайте дітей та старіх осіб подалі під час роботи електроінструментом.** Відволікання уваги може призвести до втрати контролю.

### ЕЛЕКТРОБЕЗПЕКА

- **Вилка живлення електроінструменту повинна відповідати розетці. Ніколи не змінюйте вилку. Не використовуйте ніякі вилки-перехідники з заземленими (замкнутими на землю) електроінструментами.** Не змінені вилки та відповідні розетки зменшують ризик ураження електричним струмом.
- **Уникайте контакту тіла з заземленими поверхнями, такими як труби, радіатори, плити та холодильники.** Існує підвищений ризик ураження електричним струмом, якщо ваше тіло заземлене.
- **Обережіть прилад від дощу та вологи.** Попадання води на пристрій збільшує ризик ураження електричним струмом.
- **Не зловжуйте шнур.** Ніколи не використовуйте шнур живлення для перенесення, переміщення або вилучення кабелю з розетки. Тримайте шнур подалі від тепла, масла, гострих кромок або рухомих частин. Пошкоджені або заплутані шнури збільшують ризик ураження електричним струмом.
- **При роботі з електроінструментом на вулиці, використовуйте подовжувач, відповідний для використання на відкритому повітрі.** Використання кабелю, придатного для використання на відкритому повітрі, знижує ризик ураження електричним струмом.
- **При роботі з електроінструментом у вологому середовищі використовуйте залишковий поточний пристрій (ЗПП) захищеного живлення.** Використання ЗПП знижує ризик ураження електричним струмом.

### ОСОБИСТА БЕЗПЕКА

- **Будьте уважні, дивіться, що ви робите, і використовуйте здоровий глузд при експлуатації виробу. Не працюйте з виробом, коли ви втомлені або знаходитесь під дією наркотиків, алкоголю або медикаментів.** Найменша необережність при роботі з електроінструментом може призвести до серйозних травм.
- **Використовуйте персональне захисне обладнання.** Завжди одягайте захисні окуляри. Захисне устаткування, наприклад, респіратор, взуття на нековзній підшві, захисний шолом або засоби захисту органів слуху, використовувати в належних умовах, зменшать ризик отримання травми.
- **Запобігайте випадкового запуску.**

**Переконайтеся, що вимикач знаходиться у вимкненому положенні перед підключенням до джерела живлення та / або акумуляторної батареї, підніманням або переміщенням інструменту.** Не переносьте електроінструмент з пальцем на вимикачі або подачею живлення на інструмент, який має перемикач, щоб запобігти нещасного випадку.

- **Перед включенням електроінструменту знімайте регульовальний або гайковий ключ.** Гайковий ключ або регульовальний ключ, залишений на обертаємій частині електроінструменту, може призвести до травми.
- **Не тягніться.** Зберігайте правильну стійку і баланс весь час. Це дозволяє краще контролювати інструмент в несподіваних ситуаціях.
- **Одягайтеся правильно.** Не носіть вільний одяг або прикраси. Тримайте волосся, одяг і рукавички подалі від рухомих частин. Вільний одяг, прикраси або довге волосся можуть потрапити в рухомі частини.
- **Якщо є пристрої для підключення для збору пилу, переконайтеся, що вони під'єднані і використовуються правильно.** Використання пилозбірника знижує небезпеку, пов'язану з запліненням.

### ВИКОРИСТАННЯ ТА ДОГЛЯД ЗА ЕЛЕКТРОІНСТРУМЕНТОМ

- **Не використовуйте продукт.** Використовуйте відповідний для вашої потреби електроінструмент. Електроінструмент виконає роботу краще і безпечніше при швидкості, для якої він був розроблений.
- **Не використовуйте електроінструмент, якщо перемикач не включає та вимикає його.** Будь-який електроінструмент, який не може управлятися за допомогою перемикача, є небезпечним і має бути відремонтований.
- **Відключіть вилку від джерела живлення та / або від акумулятора електроінструменту, перш ніж робити будь-які регулювання, зміну приладдя або при зберіганні електроінструменту.** Такі запобіжні заходи знижують ризик випадкового запуску приладу.
- **Зберігайте непрацюючі електроприлади у недоступному для дітей місці і не дозволяйте особам, які не знайомі з інструкціями електричного прилада або з даними інструкціями, працювати з електроприладами.** Електроінструменти небезпечні в руках недосвідчених користувачів.
- **Обслуговуйте електроінструмент.** Перевіряйте рухомі частини на наявність зміщення елементів або некоректного з'єднання, а також поломки та будь-яких інших чинників, які можуть вплинути на роботу електроінструменту.

Якщо пошкоджений, відремонтуйте електроінструмент перед використанням. Багато нещасних випадків є наслідком поганого догляду за електроінструментом.

- **Тримайте ріжучий інструмент гострим і чистим.** Добре доглянутий ріжучий інструмент з гострими ріжучими крайками рідше зв'язується і легше контролюється.
- **Використовуйте електроприлади, приладдя та насадки відповідно до цих інструкцій, урахувуючи умови та характер роботи.** Використання електричного інструменту для операцій, які відрізняються від призначених, може призвести до небезпечної ситуації.

#### ВИКОРИСТАННЯ І ДОГЛЯД ІНСТРУМЕНТУ НА БАТАРЕЙКАХ

- **Перезаряджати тільки за допомогою зарядного пристрою, зазначеного виробником.** Зарядний пристрій, що підходить для одного типу акумуляторів, може створити ризик загоряння при використанні з іншим акумуляторним блоком.
- **Використовуйте електроінструменти тільки з призначеними для них акумуляторами.** Використання будь-яких інших акумуляторів, може створити ризик отримання травми і пожежі.
- **Коли акумулятор не використовується, тримайте його подалі від металевих предметів, таких як скріпки, монети, ключі, цвяхи, шурупи, або інші дрібні металеві предмети, які можуть підключити один контакт до іншого.** Коротке замикання контактів акумулятора може призвести до опіків або пожежі.
- **У важких умовах експлуатації, рідина може бути випущена з батареї; уникайте контакту.** При випадковому контакті змийте водою. При потрапленні рідини в очі, зверніться за медичною допомогою.
- **Рідина з акумулятора може викликати роздратування або опіки.**

#### ОБСЛУГОВУВАННЯ

- Дозвольте обслуговувати ваш електроінструмент тільки кваліфікованому персоналу, використовуючи тільки ідентичні запасні частини. Це гарантуватиме безпечну експлуатацію електроінструменту.

#### ⚠ Попередження

Ніколи не використовуйте засоби або насадки для різання, які не зазначені виробником Ryobi в цій інструкції. Включаючи використання металевих багатомісних поворотних ланцюгів та шарнірних ножів. Відомо, що ці предмети ламаються під час використання і представляють високий ризик нанесення серйозної травми користувачеві або спостерігачам.

#### ⚠ Попередження

Огляд після падіння або інших впливів: Ретельно огляньте прилад та виявіть будь-які пошкодження та несправності. Будь-яка пошкоджена деталь, має бути правильно відремонтована або замінена в авторизованому сервісному центрі.

#### ЗАХОДИ БЕЗПЕКИ ДЛЯ ЛІНІЙНОГО ТРИММЕРУ

- У деяких регіонах існують правила, що обмежують використання продукту для деяких операцій. Переверіте з вашим місцевим органом влади для консультації
- Ніколи не дозволяйте дітям або людям, не знайомим з цими інструкціями, використовувати продукт.
- Використовуйте продукт при денному світлі або при хорошему штучному освітленні.
- Уникайте використання на мокрій траві.
- Не задкуйте при використанні продукту.
- Тримайте міцну опору і рівновагу. Не тягніться. Намагання дотягнутися можуть призвести до втрати рівноваги. Завжди будьте впевнені в опорі на схилах. Ходіть, ніколи не бігайте.
- Не використовуйте продукт, якщо є ризик блискавки.
- Оберегайте прилад від дощу та вологи. Попадання води на пристрій збільшує ризик ураження електричним струмом.
- Тримайте перехожих, дітей і домашніх тварин на відстані 15м від місця експлуатації. Якщо будь-хто входить у зону роботи машини, зупиніть її.
- Тримайте ріжуче обладнання нижче рівня талії.
- Ніколи не працюйте з пошкодженими запобіжними пристосуваннями або без запобіжних пристосувань.
- Ніколи не використовуйте для заміни металеву лінію.
- Увесь час тримайте руки і ноги подалі від ріжучого засобу, особливо при включенні мотора.
- Обережно, ріжучі елементи продовжують обертатися після відключення двигуна.
- Остерігайтеся об'єктів, кинутих у ріжучі засоби. Вичистіть сміття таке, як дрібні камені, гравій та інші сторонні предмети з робочої зони перед початком операції. Дроти або волосінь можуть заплутатися у ріжучому засобі.
- Вимкніть і відключіть від джерела живлення перед:
  - обслуговуванням
  - залишенням продукту без нагляду
  - очистити ваш продукт або усуньте закупорку
  - зміненою приладдя
  - перевіркою на будь-яке пошкодження після удару об'єкта

- перевіркою на будь-яке ушкодження, якщо продукт починає ненормально вібрувати
- виконанням технічного обслуговування
- зняттям ножа
- встановленням ножа
- Маленьке лезо, встановлене на обмежувач ходу для галявини призначено для обрізки нової розширеної лінії до потрібної довжини для безпечної і оптимальної продуктивності. Воно дуже гостре, не торкайтеся до нього, особливо при чищенні інструменту.
- Завжди переконайтеся, що вентиляційні отвори знаходяться чистими від сміття.
- Переконайтеся, що ріжуча насадка правильно встановлена та надійно закріплена.
- Переконайтеся, що всі захисні огорожі, дефлектори і ручки правильно і надійно закріплені.
- В жодному разі не вивозіть прилад. Це може збільшити ризик отримання серйозної травми або пошкодження майна.
- Використовуйте тільки заміну ріжучу лінію від виробника. Не використовуйте будь-який інше ріжуче приладдя.
- Накрийте лезо протектором леза, перш ніж зберігати пристрій, або під час транспортування. Перед використанням приладу завжди знімайте захисний чохол. Якщо не знати, запобіжник леза може стати кинутим об'єктом, коли лезо почне повертатися.
- Слід бути дуже обережними, користуючись цим інструментом з ножем. Поштовх леза це реакція, яка може виникати, коли обертаючись леза контактують з чимось, що не можуть зрізати. Такий контакт може миттєво зупинити ніж і несподівано відштовхнути прилад при ударі об об'єкт. Така ситуація може бути достатньою для того, щоб оператор втратив контроль над приладом. Відбивання ножа може статися раптово, коли ніж натрапляє на перешкоду, застряє або затискається. Вірогідніше всього, це може відбутися в областях, де важко побачити матеріал, який зрізається.
- Для легкого та безпечного косіння, слід зрізати рослини, справа наліво. У випадку несподіваної появи предмета або стовбура, ця практика може мінімізувати реакцію поштовху ножа. При використанні завжди треба тримати інструмент обома руками для контролю.

#### ТРАНСПОРТУВАННЯ ТА ЗБЕРІГАННЯ

- Зупиніть машину і дайте їй охолонути, перед зберіганням або транспортуванням.
- Очистіть всі сторонні матеріали з продукту. Якщо ніж встановлений, закрийте його захисним щитом.
- Для зберігання, завжди від'єднуйте прилад від джерела живлення та змотуйте кабель. Зберігайте його в сухому прохолодному і добре провітрюваному місці, недоступному для дітей. Зберігати подалі від агресивних агентів, таких як садові хімікати і солей проти обледеніння. Не зберігайте на відкритому повітрі.
- Для транспортування, забезпечіть машину від руху або падіння, щоб запобігти травми людей або пошкодження машини.

#### ТЕХНІЧНЕ ОБСЛУГОВУВАННЯ

##### Попередження

Використовуйте тільки оригінальні запасні частини, аксесуари та обладнання від виробника. Невиконання цієї вимоги може привести до можливої травми, поганої продуктивності та може призвести до втрати гарантії.

#### ПРАВИЛА БЕЗПЕКИ ПРИ ВИКОРИСТАННІ В ЯКОСТІ КУЩОРИЗА

- На додаток до наведених вище правил, дотримуйтесь додаткових заходів безпеки при використанні виробу в якості кущоріза.
- Надягайте міцні рукавиці, встановлюючи чи знімаючи ніж, оскільки у нього дуже гострі краї.
- Не намагайтеся торкатися ножа або зупиняти його під час обертання.
- Під час руху ніж може нанести серйозні травми. Міцно утримуйте інструмент обома руками до тих пір, поки ніж повністю не зупиниться.
- Замініть ніж, який було пошкоджено. Перед кожним використанням слід упевнитися, що ніж правильно встановлено та надійно закріплено.
- Використовуйте тільки заміні Тгі-Агс леза від виробника. Не використовуйте будь-який інше ріжуче приладдя.
- Заборонено зрізати матеріал товстіший за 13 мм.
- Тримайте обладнання ремнем. Ретельно відрегулюйте ремені для зручності та для підтримки ваги приладу з вашого правого боку.
- Ідентифікуйте механізм швидкого вивільнення та попрактикуйтеся у його використанні, перш ніж почати використовувати продукт. Його правильне використання може запобігти серйозним травмам в разі виникнення надзвичайної ситуації. Ніколи не носіть додатковий одяг зверху ременів або інакшим чином не обмежуйте доступ до механізму швидкого вивільнення.

**⚠ Попередження**

Обслуговування вимагає крайньої обережності і знання і повинно бути виконане тільки кваліфікованим фахівцем. Для обслуговування, ми пропонуємо вам повернути продукт в найближчий авторизований сервісний центр для ремонту. При технічному обслуговуванні використовуйте тільки ідентичні заміні частини.

- Вимкніть і вийміть акумулятор перед проведенням технічного обслуговування і чищення.
- Ви можете зробити регулювання та ремонт, описані в цьому посібнику користувача. Для інших ремонтних робіт, зверніться до авторизованого сервісного агента.
- Під час заміни волосіні використовуйте тільки нейлонову волосінь з діаметром, вказаним у таблиці технічних характеристик цього керівництва.
- Після натягування нової ріжучої лінії, завжди поверніть товар в нормальне робоче положення перед початком роботи.
- Після кожного використання, очистіть виріб м'якою сухою тканиною. Будь-яка пошкоджена деталь, має бути правильно відремонтована або замінена в авторизованому сервісному центрі.
- Перевірте всі гайки, болти і гвинти після короткого проміжка часу на правильну герметичність, щоб забезпечити продукт у безпечному робочому стані.

**НЕПЕРЕДБАЧЕНІ РИЗИКИ**

Навіть за належного використання інструмента неможливо повністю нейтралізувати певні фактори залишкового ризику. Наступні небезпеки можуть виникати при використанні продукту та оператору слід звернути особливу увагу, щоб уникнути наступного:

- Травми спричинені вібрацією.  
Тримайте прилад за спеціально призначені ручки та лімітуйте час роботи із ним.
- Під впливом шуму може виникнути пошкодження слуху.  
Надягайте захист для органів слуху та лімітуйте вплив.
- Травми, викликані кинутим сміттям  
Носіть захист для очей у весь час.

Контакт із різальними засобами. Переконайтеся що захисні щитки ножів встановлені, коли прилад не експлуатується. Завжди тримайте ноги та руки подалі від ножів.

При використанні куцорізу може бути віддача. Щоб забезпечити надійне керування інструментом, тримайте його обома руками за ручки. Прочитайте інструкції в цьому керівництві та дотримуйтеся їх, щоб знизити ризик відскоку.

Ризик падіння об'єктів. Якщо існує ризик падіння об'єктів під час підстригання кущів, надягайте захисну каску.

**ЗНИЖЕННЯ РИЗИКУ**

Відомі випадки, коли вібрація від ручних інструментів сприяє появі так званого синдрому Рейно. Симптоми схожі на ті, що з'являються під впливом холоду, включаючи поколювання, оніміння та збліднення пальців. Вважається, що спадкові чинники, вплив холоду і сирості, харчування, куріння і деякі звички роботи сприяють розвитку цих симптомів. Можна прийняти деякі заходи, які можуть бути прийняті оператором, щоб зменшити вплив вібрації:

- Підтримувати температуру тіла в холодну погоду.  
При використанні інструменту надягайте рукавички, щоб тримати руки та зап'ястки у теплі. Згідно з дослідженнями, основний внесок в розвиток синдрому Рейно, є холодна погода.
- Вправа для активації кровообігу після кожного запуску.
- Регулярно йдуть на перерву. Лімітуйте кількість роботи на день.

Якщо ви виявили будь-який з цих симптомів, негайно припиніть використання і зверніться до вашого лікаря згідно цих симптомів.

**⚠ Попередження**

Тривале використання інструменту може призвести до травмування або загострення існуючої травми. При використанні приладу протягом тривалого періоду часу, часті перерви.

**ЗНАЙ СВІЙ ПРОДУКТ**

*Дивіться сторінку 154.*

1. Верхній вал
2. Велосипедна ручка
3. Перемикач УВІМК/ВИМК
4. Клямка
5. Муфта
6. Нижній вал
7. Дефлектор трави
8. Обрізаюче лезо
9. Ріжуча лінія
10. Робоча головка
11. Кришка котушки
12. Котушка
13. Вушко
14. Затисна клямка
15. Перемикач змінної швидкості
16. Передня ручка
17. Щиток для ножа
18. Ніж Tri-Arc
19. Запобіжник леза
20. Контейнер з акумулятором
21. Кнопка засувки акумулятора
22. Кабель зарядного пристрою
23. Зарядний пристрій

**СИМВОЛИ НА ПРОДУКТИ**



Попередження



Читайте і зрозумійте всі інструкції перед експлуатацією виробу, дотримуйтесь всіх вказівок і попереджень з техніки безпеки.



Носіть захист очей, слуху, і голови.



Носіть нековзне захисне взуття при використанні продукту.



Носіть неслизькі, надміцні рукавички.



Не піддавайте впливу дощу або вологих умов.



Цей виріб не призначений для використання з зубчатим ріжучим диском.



Напрямок обертання і максимальна швидкість вала для ріжучих насадок.



Тяга:  
Петля швидкого випуску



Остерігайтеся кинутих або літаючих об'єктів. Тримайте спостерігачів на безпечній відстані від продукту.



Остерігайтеся кинутих або літаючих об'єктів. Тримайте всіх перехожих, особливо дітей і домашніх тварин, принаймні 15 м від робочої зони.



Тримайте руки подалі від зрізаючого леза.



Пам'ятайте, що ніж може рухатися з ривками.



Ніж Tri-Arc підходить для використання із цим приладом та призначений для зрізання м'ясистих бур'янів та лози.



Не викидати відпрацьовані електричні прилади разом із побутовими відходами. Утилізувати у спеціально призначених закладах. За консультацією по утилізації приладу зверніться до органу місцевої влади або дилера



Відповідає всім нормативним стандартам в країнах ЄС, де виріб було придбано.



Євразійська знак відповідності.



Український знак відповідності



Гарантований рівень звукової потужності для кушорізів



Гарантований рівень звукової потужності для мотокос

**СИМВОЛИ В ЦЬОМУ ПОСІБНИКУ**



Підключення до електричної розетки.



Відключення від електричної розетки.



Запчастини та аксесуари, що продаються окремо



ПРИМІТКА

Наступні сигнальні слова і змісти призначені для пояснення рівнів ризику, пов'язаних з продуктом.

**⚠ НЕБЕЗПЕКА**

Вказує на неминуче небезпечну ситуацію, яка, якщо її не уникнути, може призвести до смерті або серйозних травм.

**⚠ Попередження**

Вказує на потенційно небезпечну ситуацію, яка, якщо її не уникнути, може призвести до смерті або серйозних травм.

**⚠ УВАГА**

Вказує на потенційно небезпечну ситуацію, яка, якщо її не уникнути, може призвести до легкої або середньої травми.

**УВАГА**

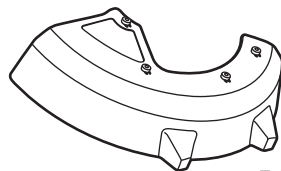
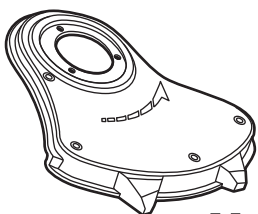
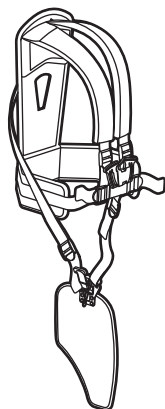
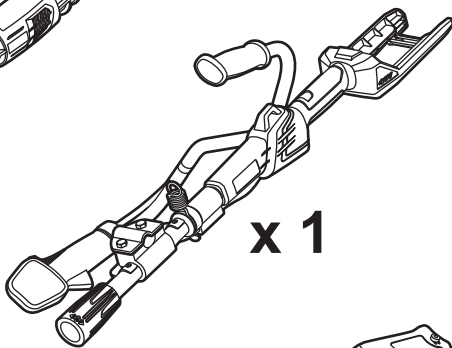
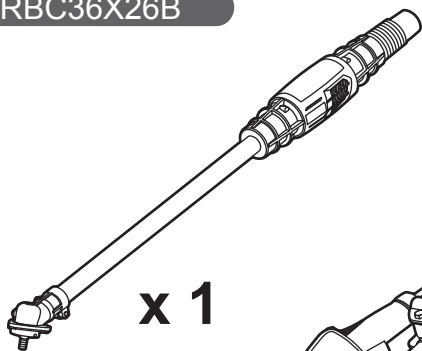
Без попереджуючих символів

Вказує на ситуацію, яка може призвести до пошкодження майна.





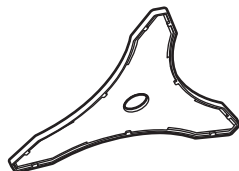
RBC36X26B



x 1

x 1

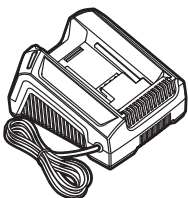
x 1



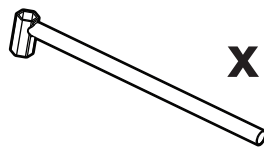
x 1



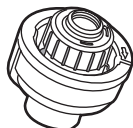
x 1



x 1



x 1



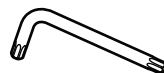
x 1



x 1



x 1



x 1



x 1



x 3

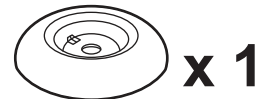
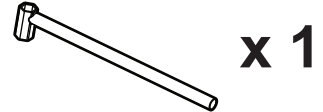
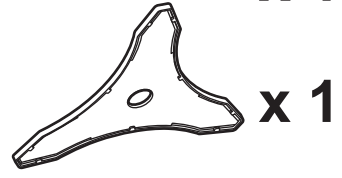
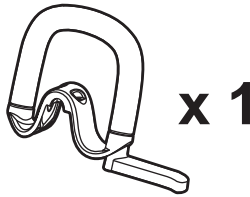
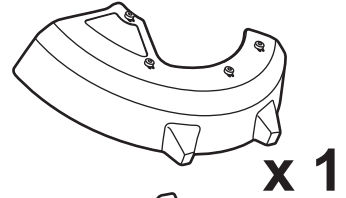
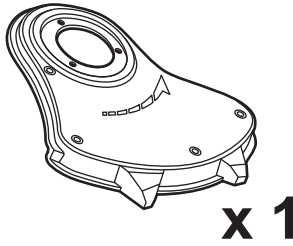
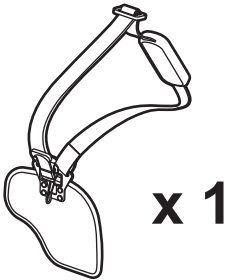
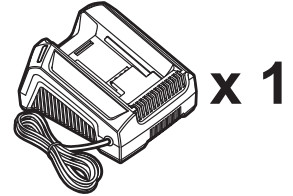
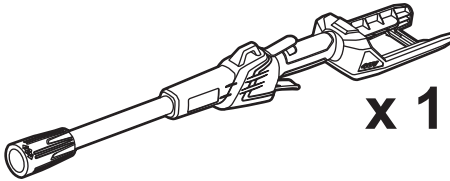
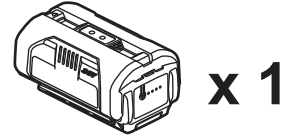
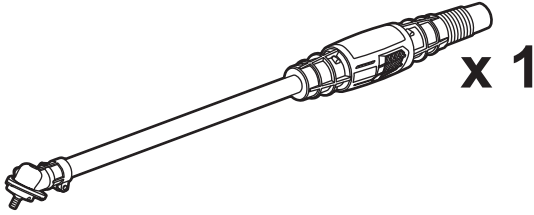


x 1

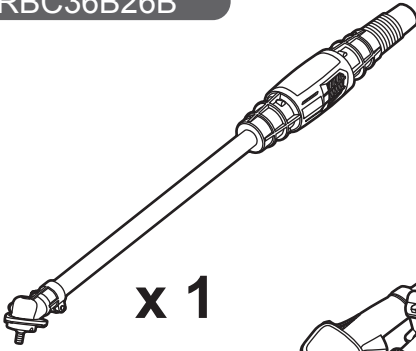


x 1

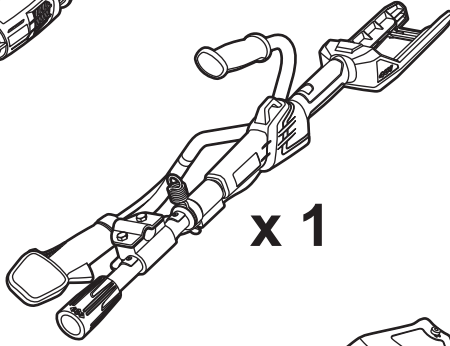
RBC36X26E



RBC36B26B



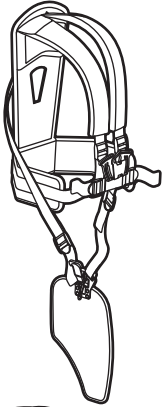
x 1



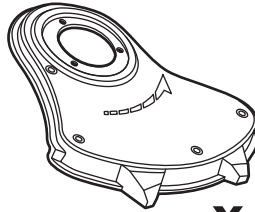
x 1



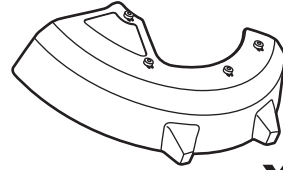
x 1



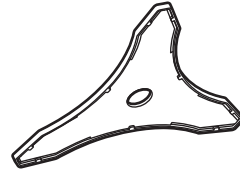
x 1



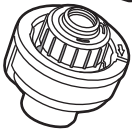
x 1



x 1



x 1



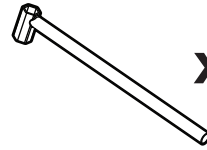
x 1



x 1



x 1



x 1



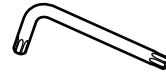
x 1



x 3



x 1

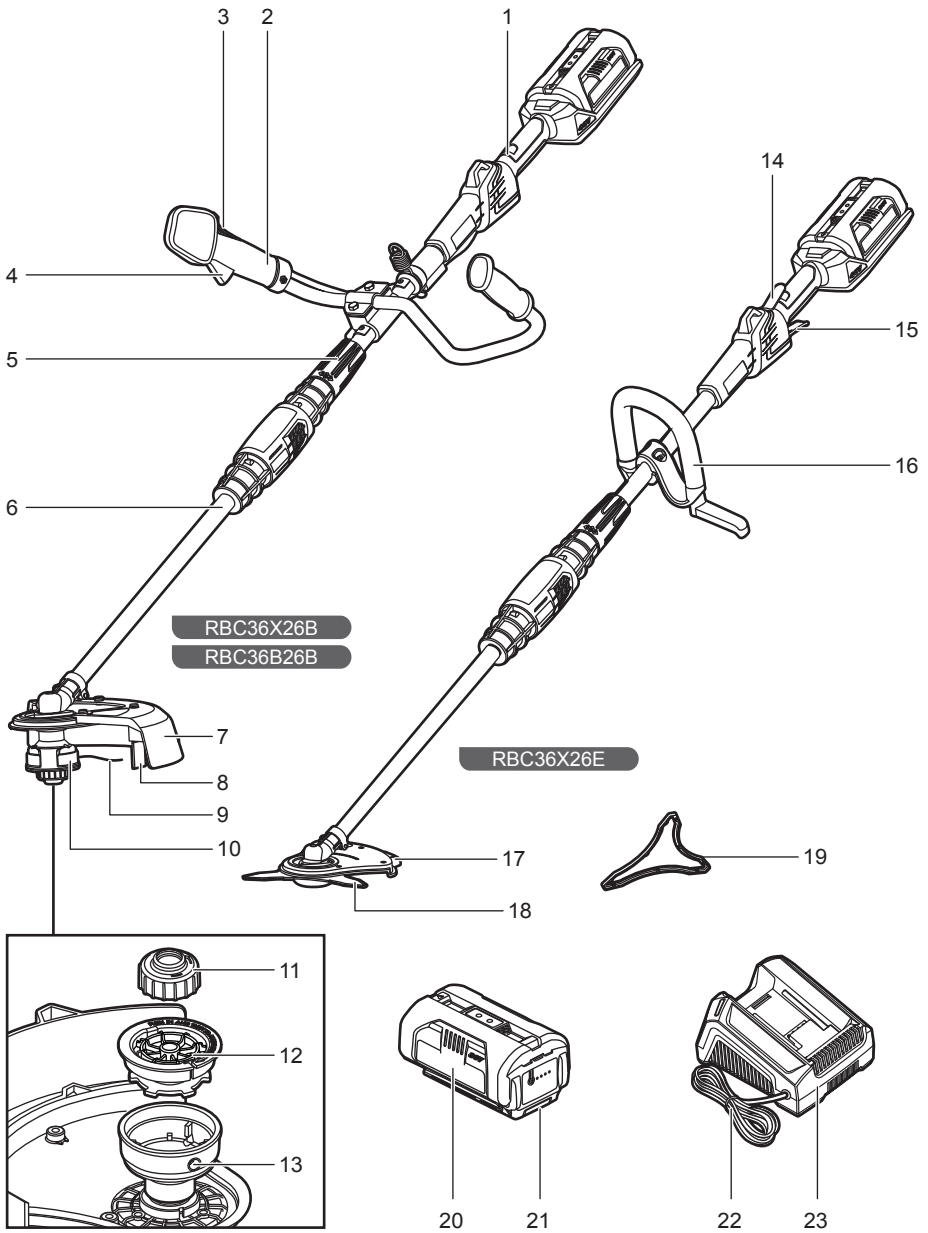


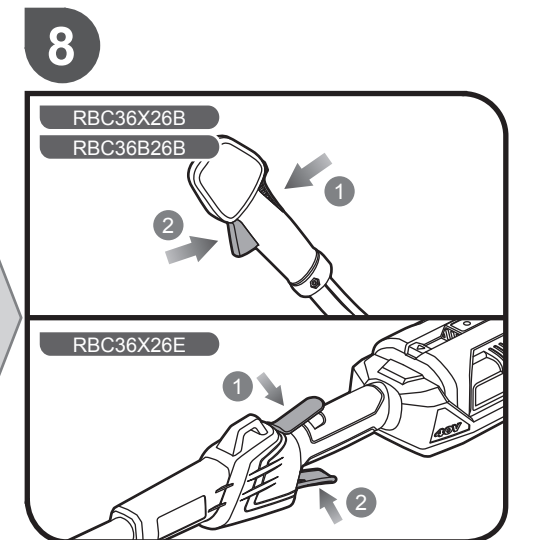
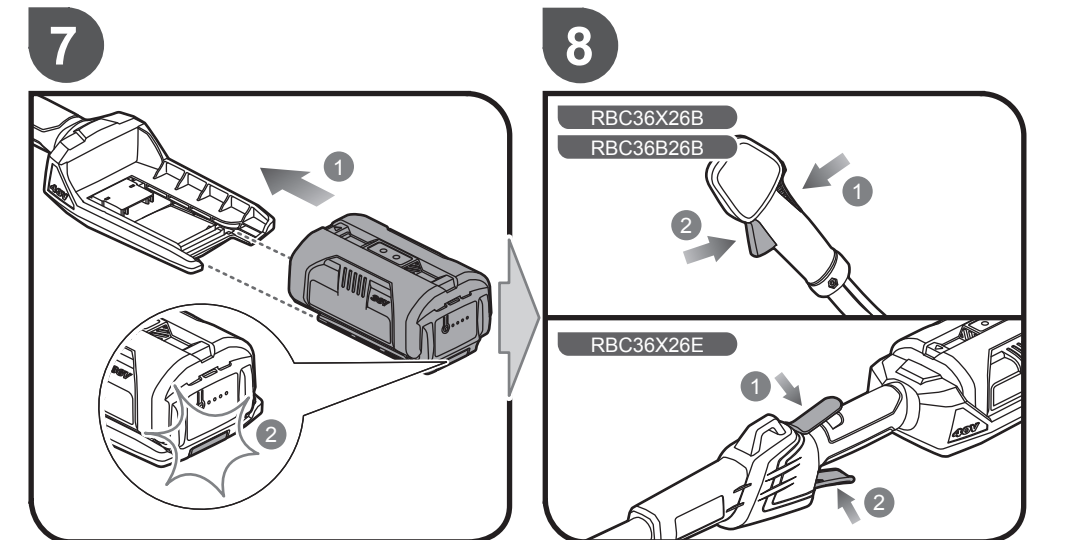
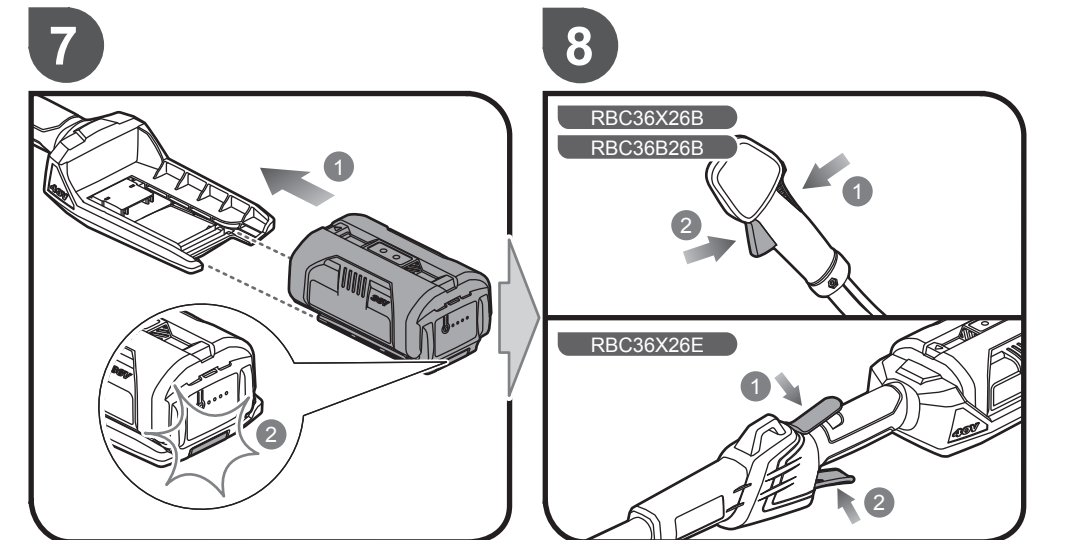
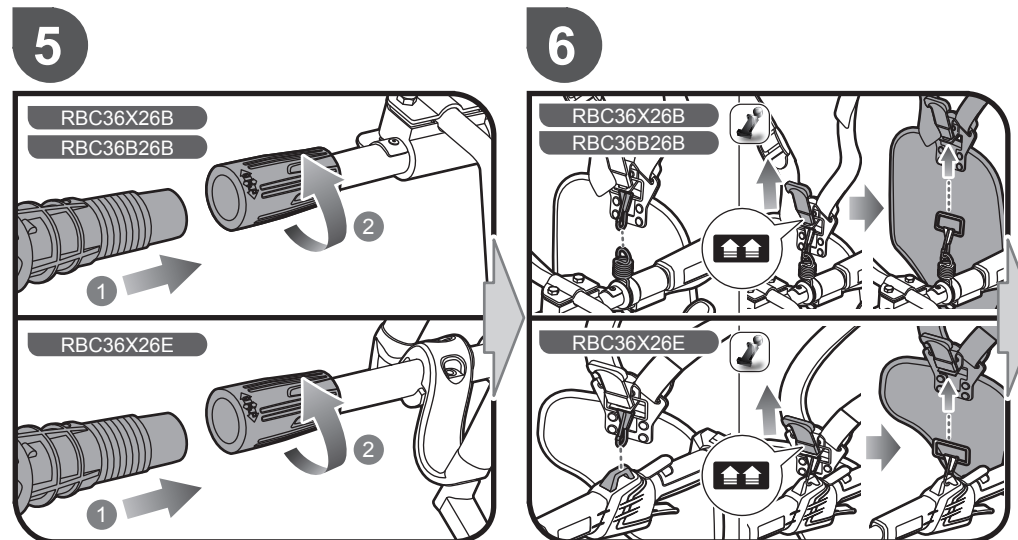
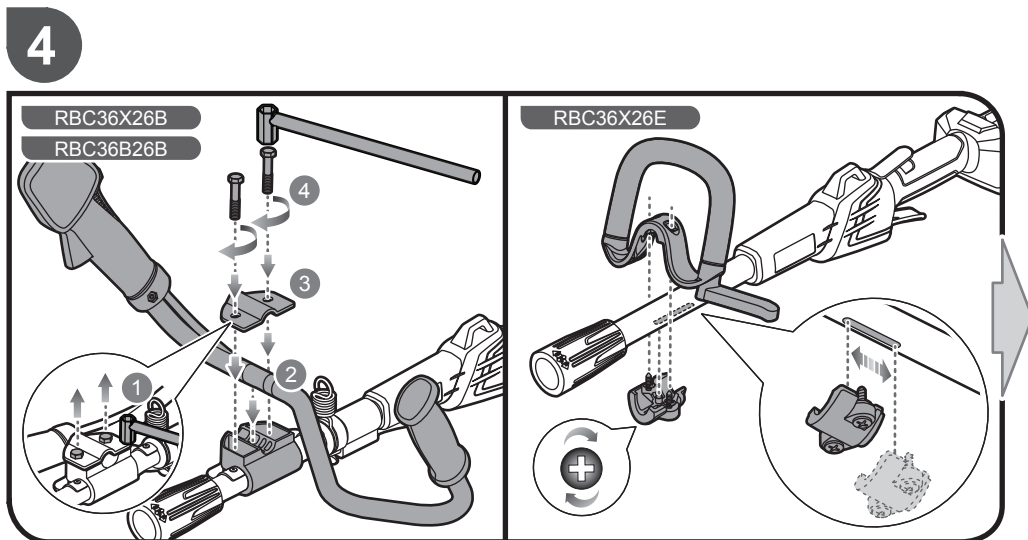
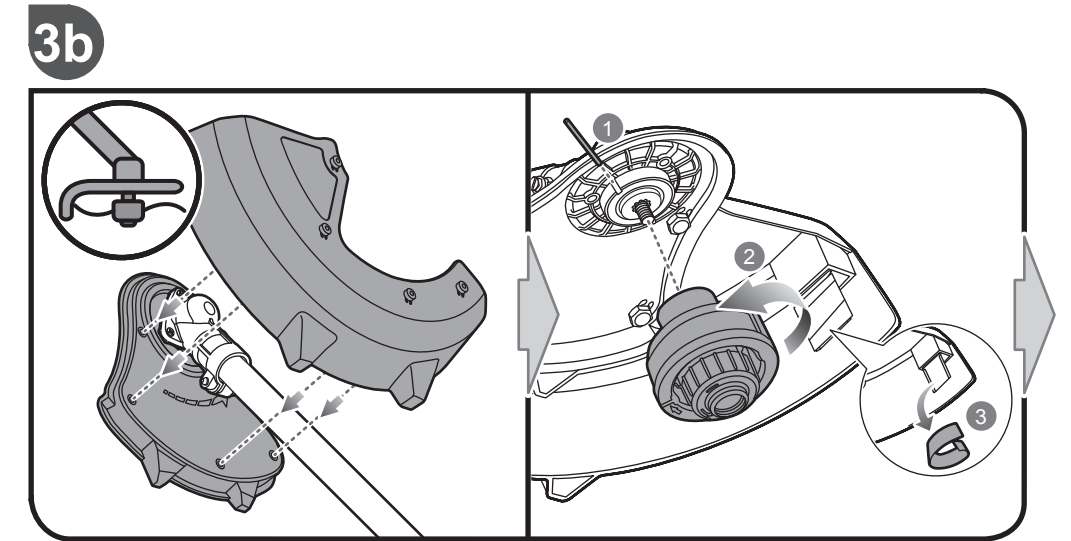
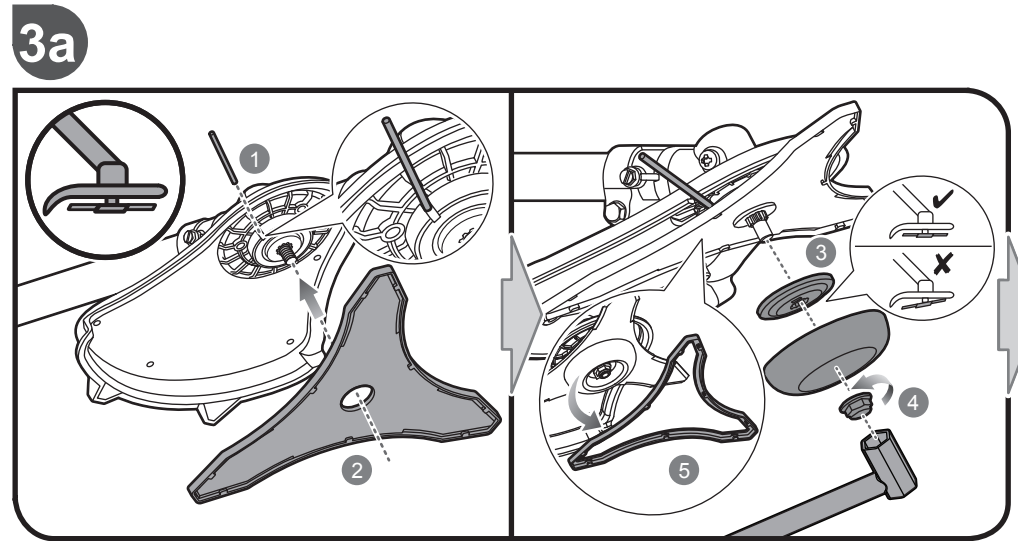
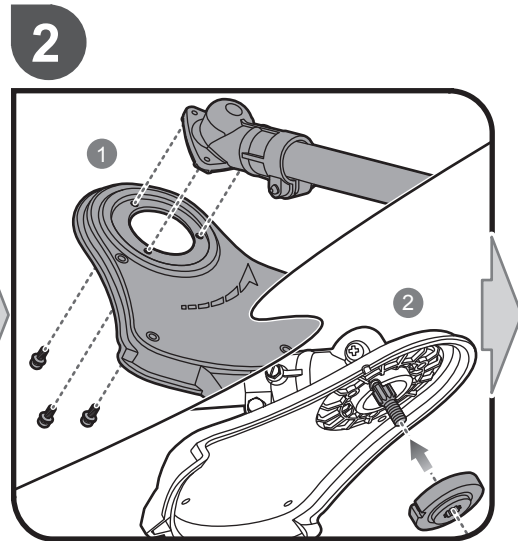
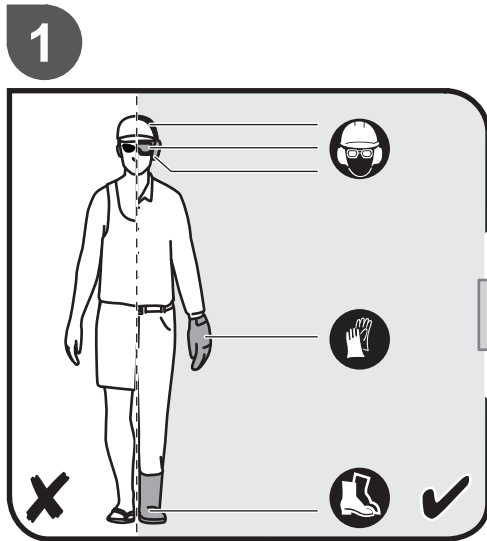
x 1



x 1

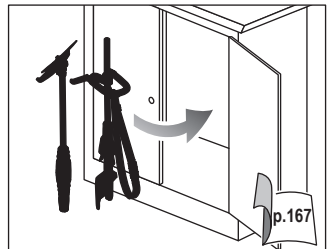
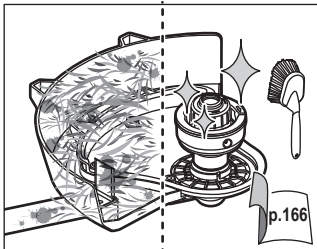
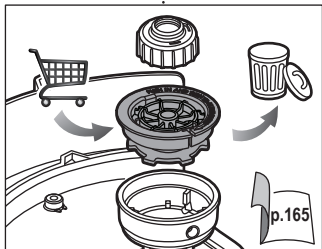
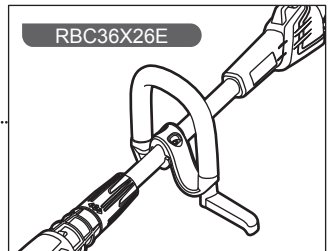
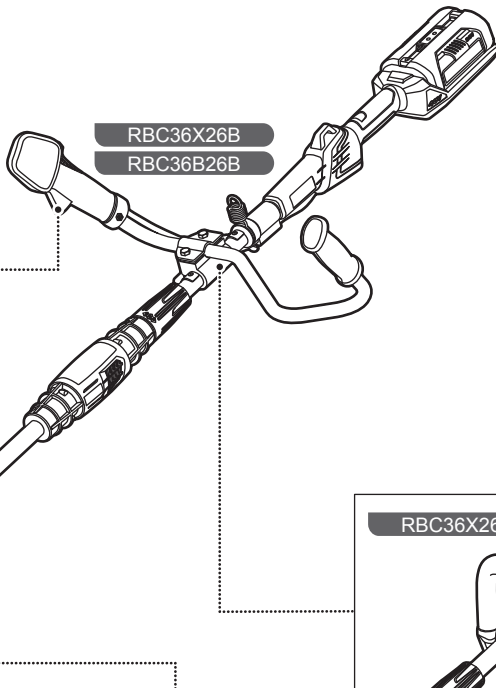
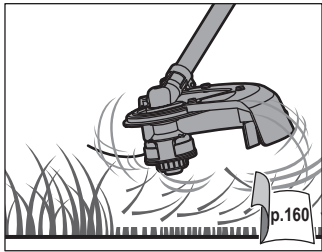
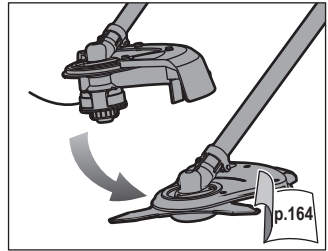
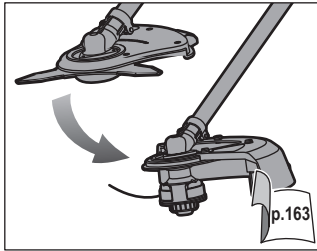
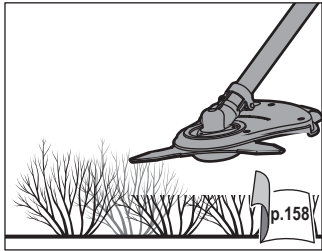


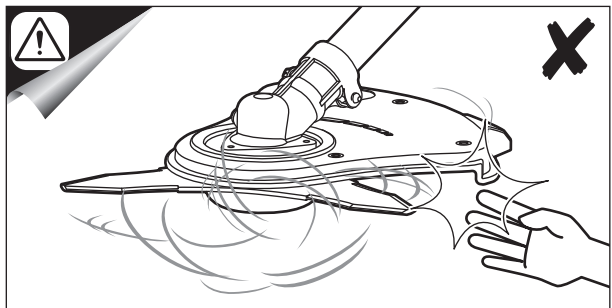
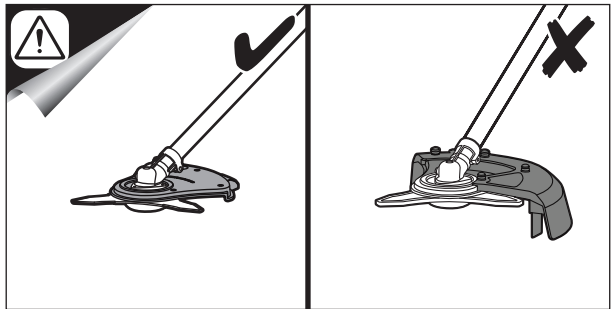
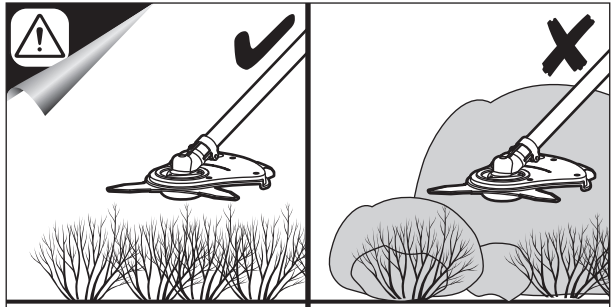
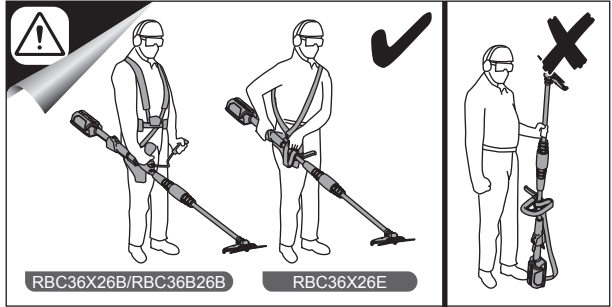


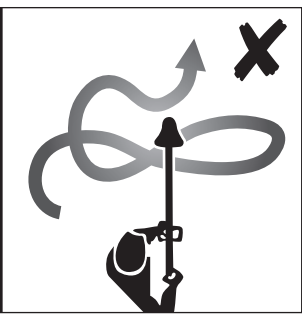
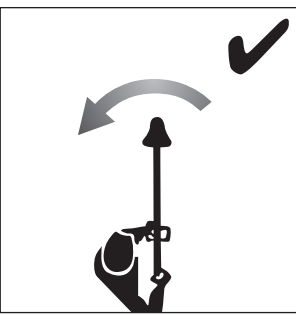
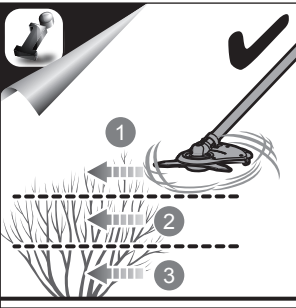
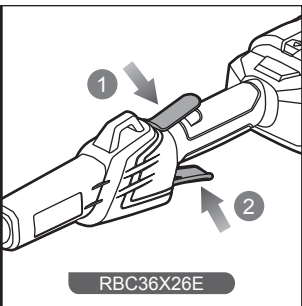
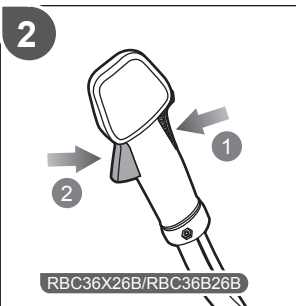
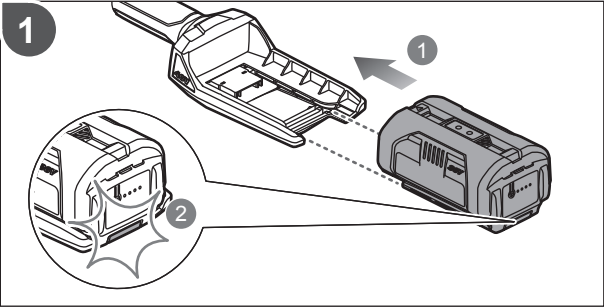


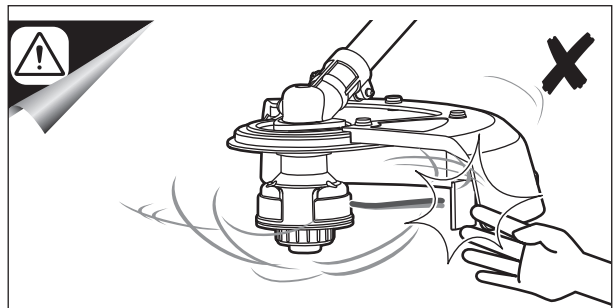
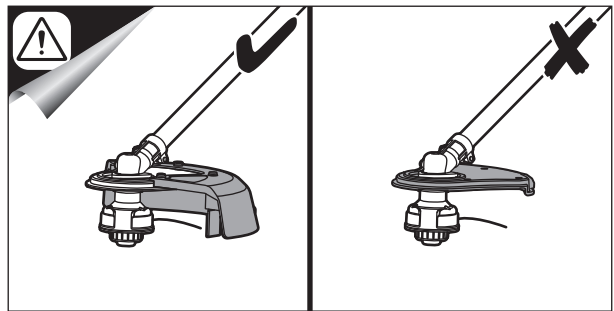
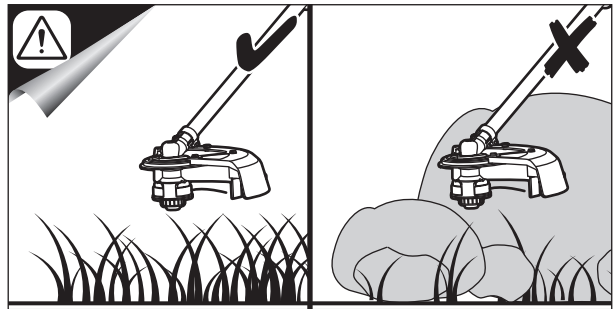
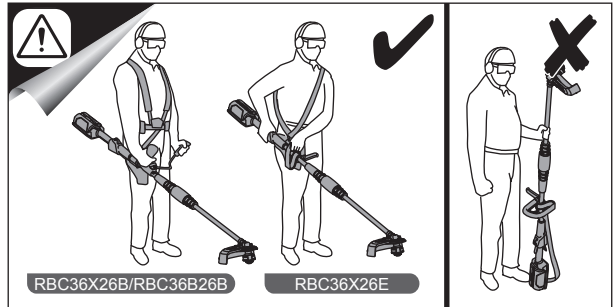


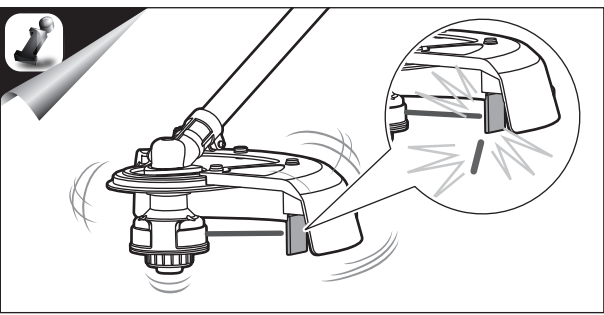
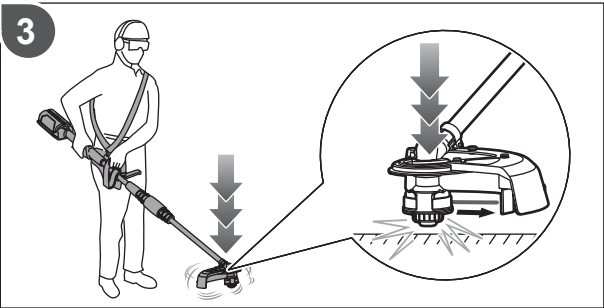
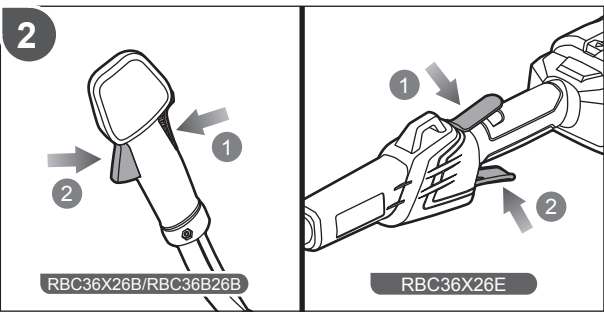
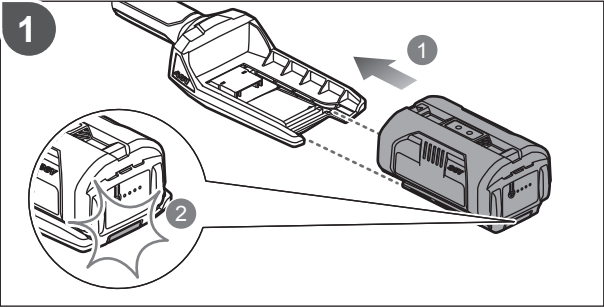


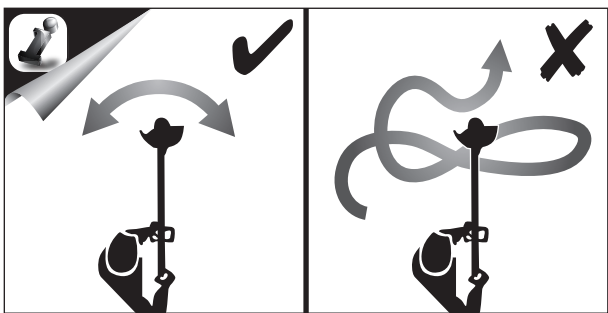
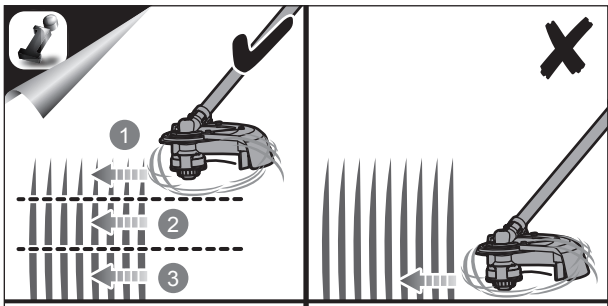
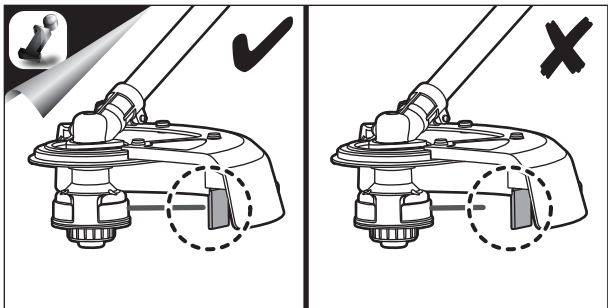


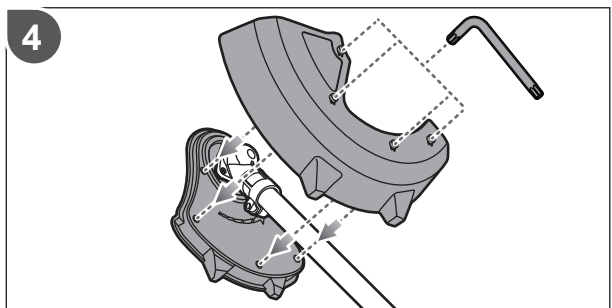
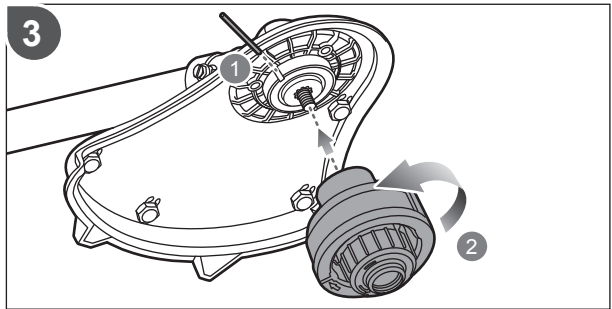
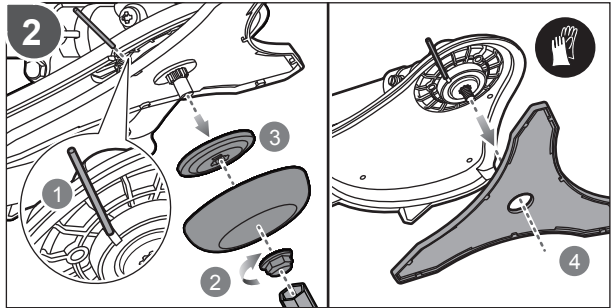
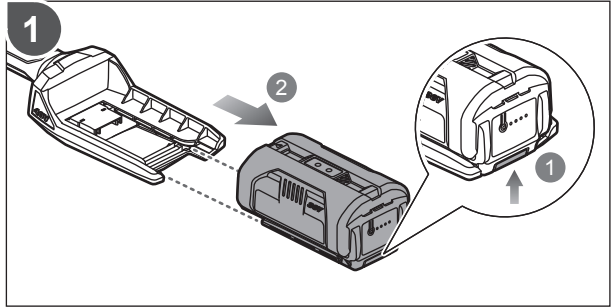
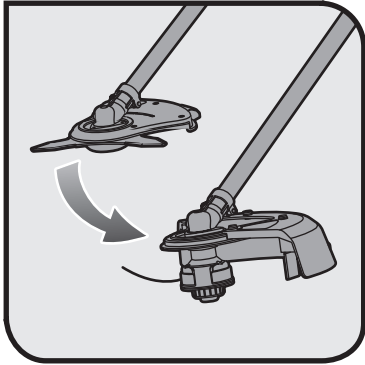




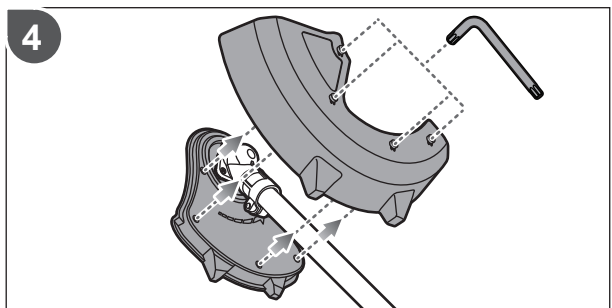
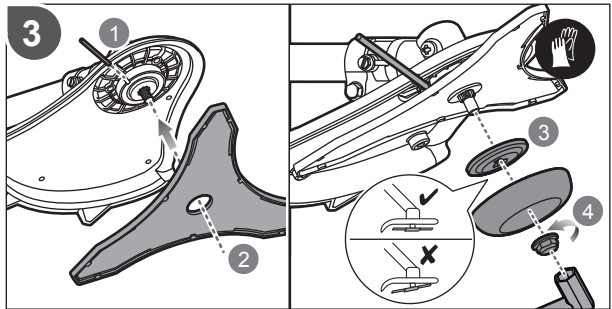
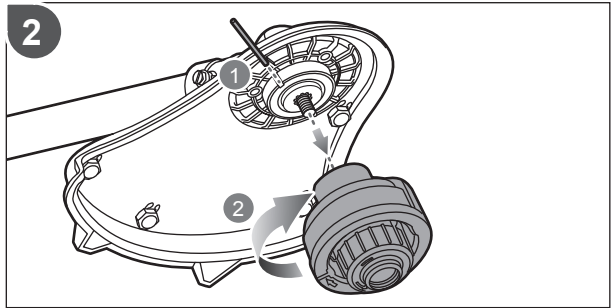
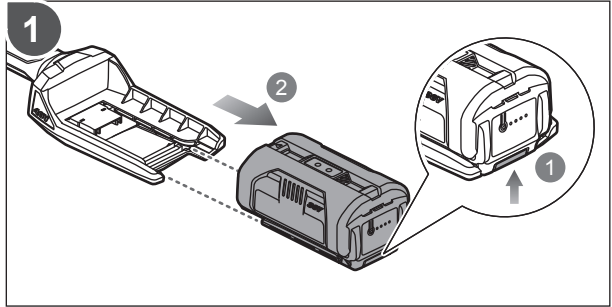
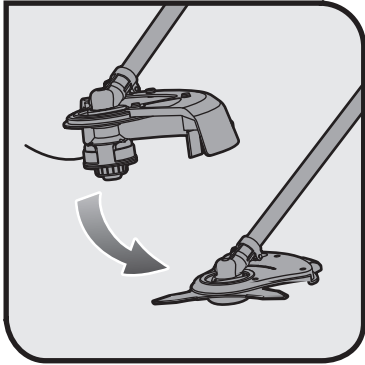


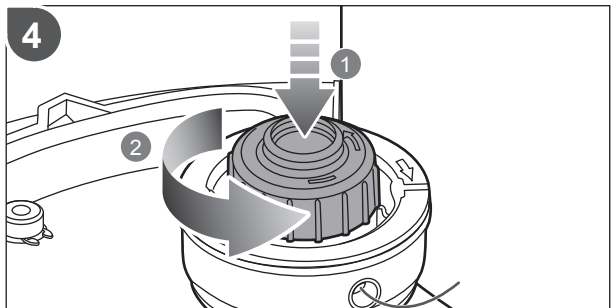
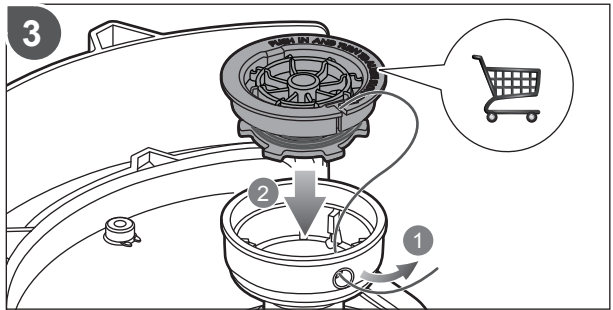
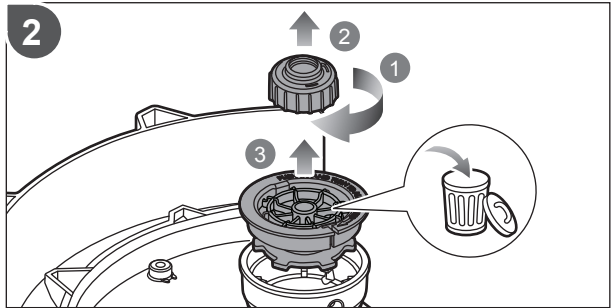
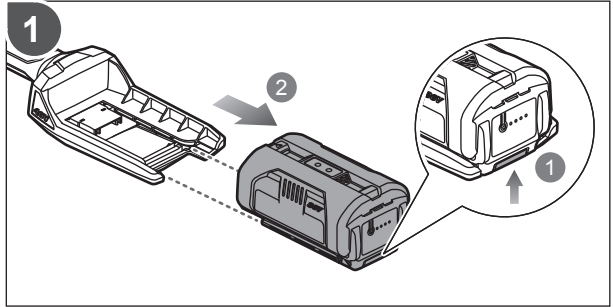
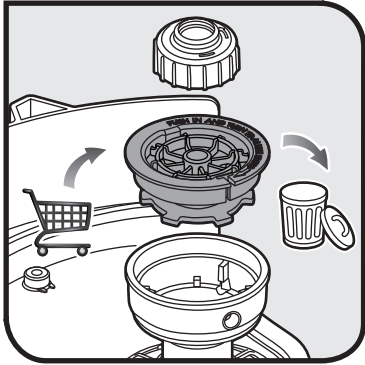


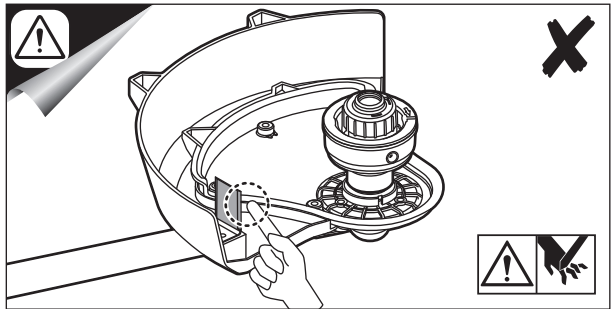
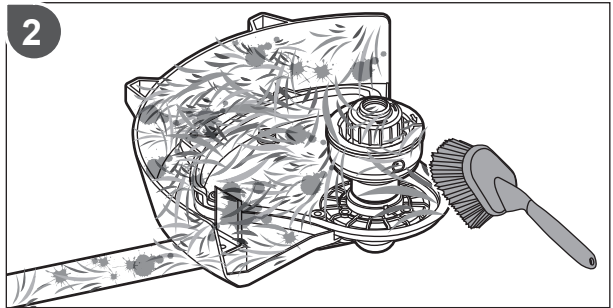
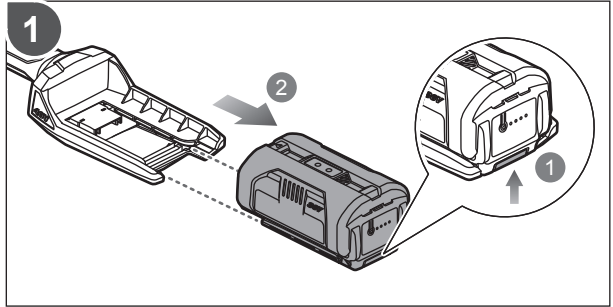
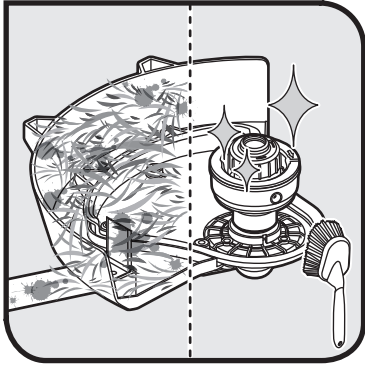


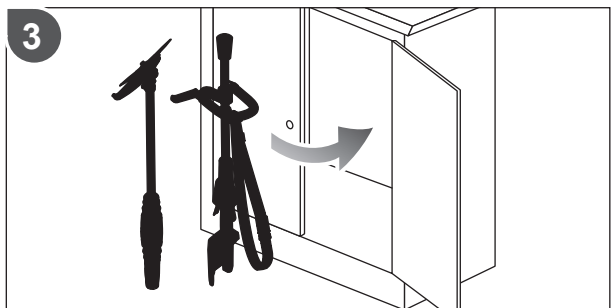
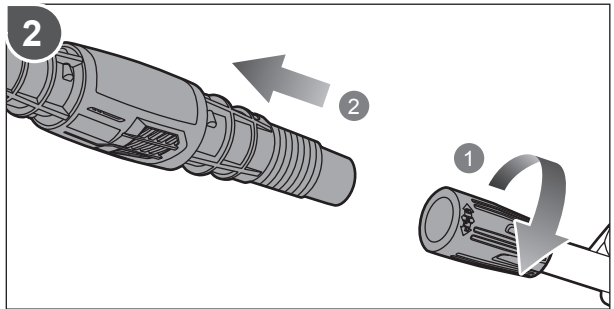
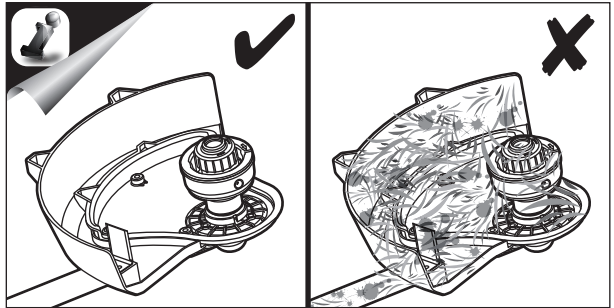
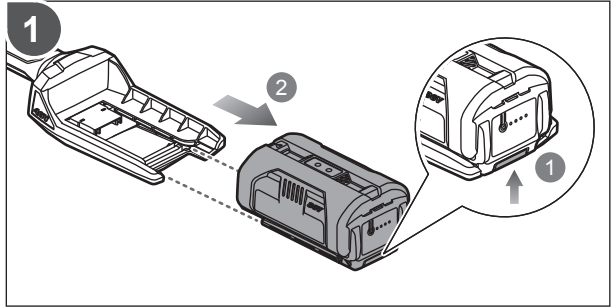
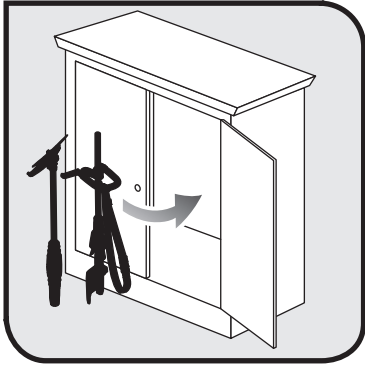














English	Français	Deutsch	Español	Italiano	Nederlands	Português
Product specifications	Caractéristiques produit	Produkt-Spezifikationen	Características del producto	Caratteristiche del prodotto	Productgegevens	Características do aparelho
Model	Modèle	Modell	Modelo	Modello	Model	Modelo
Voltage	Tension	Elektrische Spannung	Tensión	Voltaggio	Spanning	Voltagem
No-load speed	Vitesse de rotation	Leerlaufdrehzahl	Velocidad sin carga	Velocità senza carico	Snelheid zonder lading	Velocidade sem carga
Brushcutter	Débroussaileuse	Freischneider	Cortadora de maleza	Decespugliatore	Bosmaaier	Corta-sebes
Line Trimmer	Coupe-bordures	Rasentrimmer	Podadora	Tagliabordi	Lijntrimmer	Podador
Cutting line diameter	Diamètre du Fil de Coupe	Schneidfaden-Durchmesser	Cortar el diámetro de la línea	Diametro linea di taglio	Maaijindiameter	Cortar o diámetro da linha
Cutting capacity	Capacité de coupe	Schnittbreite Durchmesser	Capacidad de corte	Capacità di taglio	Snijcapaciteit	Capacidade de corte
Brushcutter	Débroussaileuse	Freischneider	Cortadora de maleza	Decespugliatore	Bosmaaier	Corta-sebes
Line Trimmer	Coupe-bordures	Rasentrimmer	Podadora	Tagliabordi	Lijntrimmer	Podador
Recommended torque for blade retention	Couple de serrage recommandé pour le maintien de la lame	Empfohlenes Drehmoment für Messerhalt	Par recomendado para retención de hojas	Coppia consigliata per tratteneere la lama	Aanbevolen aanhaalmoment voor vaszetten van het blad/mes	Binário de aperto recomendado para retenção da lâmina
Recommended torque for string head retention	Couple recommandé pour la retenue de la tête de coupe à fil	Empfohlenes Drehmoment zur Halt des Fadenkopfes	Par recomendado para resistencia de la espuma del cable	Torsione raccomandata per la ritenzione della testina a filo	Aangewezen koppel voor lijnproptentie	Binário recomendado para resistência da espuma do cabo
Vibration level (in accordance with EN 50636-2-91:2014 Annex BB)	Niveau de vibration (selon l'Annexe BB de EN 50636-2-91:2014)	Vibrationsgrad (gemäß Anhang BB von EN 50636-2-91:2014)	Nivel de vibración (de acuerdo con el Anexo BB de EN 50636-2-91:2014)	Livello vibrazioni (secondo quanto disposto dall'Allegato BB della Direttiva EN 50636-2-91:2014)	Trillingsniveau (in overeenstemming met bijlage BB van EN 50636-2-91:2014)	Nível de vibração (em conformidade com o Anexo BB de EN 50636-2-91:2014)
Brushcutter	Débroussaileuse	Freischneider	Cortadora de maleza	Decespugliatore	Bosmaaier	Corta-sebes
Line trimmer	Coupe-bordures	Rasentrimmer	Podadora	Tagliabordi	Lijntrimmer	Podador
Uncertainty of measurement	Incertitude de la mesure	Unsicherheit der Messung	Incertidumbre de medición	Incertezza della misurazione	Onzekerheid bij meting	Incerteza de medições
Noise emission level (in accordance with EN 50636-2-91:2014 Annex CC)	Niveau d'émission sonore (selon l'Annexe CC de EN 50636-2-91:2014)	Geräuschemission (gemäß Anhang CC von EN 50636-2-91:2014)	Nivel de emisión de ruido (de acuerdo con el Anexo CC de EN 50636-2-91:2014)	Livello di emissione rumore (secondo quanto disposto dall'Allegato CC della Direttiva EN 50636-2-91:2014)	Geluidsemissieniveau (in overeenstemming met bijlage CC van EN 50636-2-91:2014)	Nível de emissão de ruído (em conformidade com o Anexo CC de EN 50636-2-91:2014)
A-weighted sound pressure level (Brushcutter/Line trimmer)	Niveau de pression sonore pondéré-A (Débroussaileuse/ Taille-bordure)	A-bewerteter Schalldruckpegel (Freischneider/ Rasentrimmer)	Nivel de presión acústica ponderada en A (Cortamalezas/ Cortasetos)	Livello di pressione sonora pesato A (Decespugliatore/ Tagliabordi)	A-gewogen geluidsdrukniveau (Bosmaaier/ Grastrimmer)	Nível de pressão sonora ponderada A (Roçadora/recortadora de fio)
Uncertainty of measurement	Incertitude de la mesure	Unsicherheit der Messung	Incertidumbre de medición	Incertezza della misurazione	Onzekerheid bij meting	Incerteza de medições
A-weighted sound power level (Brushcutter/Line trimmer)	Niveau de puissance sonore pondéré-A (Débroussaileuse/ Taille-bordure)	A-bewerteter Schalleistungspegel (Freischneider/ Rasentrimmer)	Nivel de potencia acústica ponderada en A (Cortamalezas/ Cortasetos)	Livello di potenza sonora pesato A (Decespugliatore/ Tagliabordi)	A-gewogen geluidsniveau (Bosmaaier/ Grastrimmer)	Nível de potência sonora ponderada A (Roçadora/ recortadora de fio)
Uncertainty of measurement	Incertitude de la mesure	Unsicherheit der Messung	Incertidumbre de medición	Incertezza della misurazione	Onzekerheid bij meting	Incerteza de medições
Weight without battery pack	Poids sans batterie	Gewicht ohne Akku	Peso sin batería	Peso senza batteria	Gewicht zonder accupak	Peso sem bateria
Brushcutter	Débroussaileuse	Freischneider	Cortadora de maleza	Decespugliatore	Bosmaaier	Corta-sebes
Line trimmer	Coupe-bordures	Rasentrimmer	Podadora	Tagliabordi	Lijntrimmer	Podador





Dansk	Svenska	Suomi	Norsk	Русский		
<b>Produktspecifikationer</b>	<b>Produktspecifikationer</b>	<b>Tuotteen tekniset tiedot</b>	<b>Produktspesifikasjoner</b>	<b>Характеристики изделия</b>		
Model	Modell	Malli	Modell	Модель	RBC36X26B/ RBC36B26B	RBC36X26E
Spænding	Spänning	Jännite	Spenning	Напряжение	36 Volts	
Tomgangshastighed	Hastighet utan belastning	Nopeus ilman kuormaa	Tomgangshastighet	Холостая скорость		
Buskrydder	Röjsåg	Ruohoraivuri	Krattrydder	Кустореза	9,000 min <sup>-1</sup>	
Græstrimmer	Grästrimmer	Siimatrimmerin	Trådtrimmer	Триммер	8,000 min <sup>-1</sup>	
Klippestråddiameter	Klippestrådens diameter	Leikkusuiman halkaisija	Diameter på klippesnoren	Диаметр режущей струны	1.65 mm	
Skærekapacitet	Trimningskapacitet	Leikkaukskapasiteetti	Klippekapasitet	Сокращение вместимости		
Buskrydder	Röjsåg	Ruohoraivuri	Krattrydder	Кустореза	256 mm	
Græstrimmer	Grästrimmer	Siimatrimmerin	Trådtrimmer	Триммер	305 mm	
Anbefalet moment for klingefastholdelse	Rekommenderat vridmoment för fästande av skärblad	Suositettu vääntömomentti terän pitämiseksi	Anbefalt dreiningsmoment for bladstrimming	Рекомендуемый крутящий момент для увеличения срока службы ножа	> 11 N.m	
Anbefalet moment for fastspænding af tråd hoved	Rekommenderat vridmoment för trådhuvudets indrag	Siimapään kiinnityksen suositettu vääntömomentti	Anbefalt dreiemoment for trådholder	Рекомендуемый момент затяжки для закрепления струнной головки	> 6 N.m	
Vibrationsniveau (iht. bilag BB til EN 50636-2-91:2014)	Vibrationsnivå (enligt Annex BB i EN 50636-2-91:2014)	Tärinätao (standardin EN 50636-2-91:2014 liitteen BB mukaisesti)	Vibrasjonsnivå (iht. tillegg BB i EN 50636-2-91:2014)	Уровень вибрации (в соответствии с Приложением ВВ стандарта EN 50636-2-91:2014)	Left/right handle	Front/rear handle
Buskrydder	Röjsåg	Ruohoraivuri	Krattrydder	Кустореза	1.4/3.3 m/s <sup>2</sup>	4.5/4.8 m/s <sup>2</sup>
Græstrimmer	Grästrimmerz	Siimatrimmerin	Trådtrimmer	Триммер	1.4/3.2 m/s <sup>2</sup>	2.9/3.6 m/s <sup>2</sup>
Målingsusikkerhed	Osäkerhet i mätningar	Mittausten epätarkkuus	Usikkerhet ved måling	Погрешность измерения	1.5 m/s <sup>2</sup>	
Støjmissionsniveau (iht. bilag CC til EN 50636-2-91:2014)	Bullerutsläppsnivå (enligt Annex CC i EN 50636-2-91:2014)	Melutasa (standardin EN 50636-2-91:2014 liitteen CC mukaisesti)	Støyutslippsnivå (iht. tillegg CC i EN 50636-2-91:2014)	Уровень шума (в соответствии с Приложением CC стандарта EN 50636-2-91:2014)		
A-vægtet lydtryksniveau (Buskrydder/ Kantrimmer)	A-vägd ljudtrycksnivå (Röjsåg/Grästrimmer)	A-painotettu äänenpainetaso (Pensasraivuri/ Trimmeri)	A-vektet lydtryknivå (Buskekutter/kantklipper)	Уровень A-взвешенного звукового давления (кусторез/триммер)	97.5/88.6 dB(A)	97.4/88.5 dB(A) <sup>2</sup>
Målingsusikkerhed	Osäkerhet i mätningar	Mittausten epätarkkuus	Usikkerhet ved måling	Погрешность измерения	2.5 dB	
A-vægtet lydeffektivniveau (Buskrydder/ Kantrimmer)	A-vägd ljudeffektnivå (Röjsåg/Grästrimmer)	A-painotettu äänenteho (Pensasraivuri/ Trimmeri)	A-vektet lydeffektivnivå (Buskekutter/ kantklipper)	Уровень A-взвешенной звуковой мощности (кусторез/триммер)	104.3/93.8 dB(A)	104.3/92.8 dB(A)
Målingsusikkerhed	Osäkerhet i mätningar	Mittausten epätarkkuus	Usikkerhet ved måling	Погрешность измерения	2.5 dB	
Vægt (Ingen batteri)	Vikt (Utan batteri)	Paino (ilman akkua)	Vekt (Uten batteri)	вес (Без аккумулятора)		
Buskrydder	Röjsåg	Ruohoraivuri	Krattrydder	Кустореза	3.72 kg	3.12 kg
Græstrimmer	Grästrimmerz	Siimatrimmerin	Trådtrimmer	Триммер	3.78 kg	3.18 kg





Polski	Čeština	Magyar	Română	Latviski	Lietuviškai	Eesti
<b>Parametry techniczne</b>	<b>Technické údaje produktu</b>	<b>Termék műszaki adatai</b>	<b>Specificațiile produsului</b>	<b>Produkta specifikācijas</b>	<b>Gaminio techninės savybės</b>	<b>Toote tehnilised andmed</b>
Model	Model	Típus	Model	Modelis	Modelis	Mudel
Napięcie	Elektrické napětí	Feszültség	Tensiune	Spriegums	Ītampa	Pinge
Predkość obrotowa bez obciążenia	Rychlost naprázdno	Üresjárati fordulatszám	Vitezá fárá sarciná	Átrums bez slodzes	Greitis be apkrovimo	Tühikäigukiirus
Ścinacz krzewów	Křovinořez	Bozótřvágó motoros kasza	Aparat pentru tuns tuiřur	Křumgriezis	Křumapjovė	Võsalõikur
Podkaszarki	Vyřinač	Szegélyřvágó	Szegélyřvágó	Auklas trimmera	Lyninio trimerio	Jõhvtrimmeri
Średnica řyłki tnącej	Průměr záběru	Vágószál átméró	Diametru fir de tăiere	Grieřējvada diametrs	Pjovimo linijos diametras	Trimmerijõhvi lõõimõõt
Szerokość cięcia	Řezací kapacita	Vágási teljesítmény	Lungimea de tăiere	Grieřanas dziļums	Pjovimo talpa	Lõikevõimsus
Ścinacz krzewów	Křovinořez	Bozótřvágó motoros kasza	Aparat pentru tuns tuiřur	Křumgriezis	Křumapjovė	Võsalõikur
Podkaszarki	Vyřinač	Szegélyřvágó	Szegélyřvágó	Auklas trimmera	Lyninio trimerio	Jõhvtrimmeri
Zalecany moment obrotowy dokręcania elementu tnącego	Doporučený točivý moment pro zadržení nože	Ajánlott nyomatók a tárcsa rögzítéséhez	Cuplu recomandat pentru fixarea lamei	Ieteicamais spēks asmens fiksēšanai	Rekomenduojamas sukimo momentas geležtei išlaikyti	Soovitatav lõiketera pöördemoment
Zalecany moment obrotowy dla retencji głowicy żyłkowej	Doporučený krouřící moment pro upevnění strunové hlavy	Vágófej megtartásának ajánlott nyomatóka	Cuplu recomandat pentru retenția capului cu fir.	Ieteicamais griezes moments stīgas galvas aizturu	Patartinas templės galvutės išlaikymo sąšukos momentas	Jõhviipea soovitatav pingutusmoment
Poziom wibracji (zgodnie z aneksem BB normy EN 50636-2-91:2014)	Úroveň vibrací (v souladu s přílohou BB normy EN 50636-2-91:2014)	Vibrációs szint (az EN 50636-2-91:2014 BB függeléke szerint)	Nivel de vibrație (In conformitate cu Anexa BB a EN 50636-2-91:2014)	Vibrācijas līmenis (saskaņā ar direktīvas EN 50636-2-91:2014 BB pielikumu)	Vibracijos lygis (pagal EN 50636-2-91:2014 standarto BB priedą)	Vibratsioonitase (vastavalt standardi EN 50636-2-91:2014 lisale BB)
Ścinacz krzewów	Křovinořez	Bozótřvágó motoros kasza	Aparat pentru tuns tuiřur	Křumgriezis	Křumapjovė	Võsalõikur
Podkaszarki	Vyřinač	Szegélyřvágó	Szegélyřvágó	Auklas trimmera	Lyninio trimerio	Jõhvtrimmeri
Niepewność pomiaru	Nejistota měření	Mérés bizonytalansága	Incertitudine a măsurării.	Měřjuma mainīgums	Matmenų paklaida	Mõõtmismääramatus
Poziom emisji hałasu (zgodnie z aneksem CC normy EN 50636-2-91:2014)	Hladina emise hluku (v souladu s přílohou CC normy EN 50636-2-91:2014)	Hangbocsátási szint (az EN 50636-2-91:2014 CC függeléke szerint)	Nivel emisie zgomot (In conformitate cu Anexa CC a EN 50636-2-91:2014)	Trokřpju emisijas līmenis (saskaņā ar direktīvas EN 50636-2-91:2014 CC pielikumu)	Skleidžiama triukřmo lygis (pagal EN 50636-2-91:2014 standarto CC priedą)	Vibratsioonitase (vastavalt standardi EN 50636-2-91:2014 lisale CC)
A-wažony poziom ciśnienia hałasu (Przyćinarka do żywoplotu/ podkaszarka żyłkowa)	Hladina akustického tlaku vážená funkcí A (Křovinořez / Strunová sekačka)	A-súlyozott hangnyomásszint (Bozótřvágó / Szegélynyíró)	Nivel de presiune acustică ponderată A (Lamă/Fir)	A-līmeņa skaņas spiediena līmenis (Křumgriezis/auklas trimmeris)	A-svertinis garso galios lygis (Křumapjovė / nešiojami žolijapovė)	A-kaalutud helirõhu tase (Võsalõikur/ jõhvtrimmer)
Niepewność pomiaru	Nejistota měření	Mérés bizonytalansága	Incertitudine a măsurării.	Měřjuma mainīgums	Matmenų paklaida	Mõõtmismääramatus
A-wažony poziom natężenia hałasu (Przyćinarka do żywoplotu/ podkaszarka żyłkowa)	Hladina akustického výkonu vážená funkci A (Křovinořez / Strunová sekačka)	A-súlyozott hangteljesítményszint (Bozótřvágó / Szegélynyíró)	Nivel de putere acustică ponderată A (Lamă/Fir)	A-līmeņa skaņas jaudas līmenis (Křumgriezis/auklas trimmeris)	A-svertinis akustinis lygis (Křumapjovė / nešiojami žolijapovė)	A-kaalutud helivõimsuse tase (Võsalõikur/ jõhvtrimmer)
Niepewność pomiaru	Nejistota měření	Mérés bizonytalansága	Incertitudine a măsurării.	Měřjuma mainīgums	Matmenų paklaida	Mõõtmismääramatus
Ciężar (Bez akumulatora)	Hmotnost (Není vložen akumulátor)	Gépsúly (Akkumulátor nélkül)	Greutate (Fără baterie)	Svars (Bez akumulatora)	Svoris (Be akumulatorinės baterijos)	Kaal (Ilma aku pakita)
Ścinacz krzewów	Křovinořez	Bozótřvágó motoros kasza	Aparat pentru tuns tuiřur	Křumgriezis	Křumapjovė	Võsalõikur
Podkaszarki	Vyřinač	Szegélyřvágó	Szegélyřvágó	Auklas trimmera	Lyninio trimerio	Jõhvtrimmeri







Hrvatski	Slovensko	Slovenčina	България	Українська		
<b>Specifikacije proizvoda</b>	<b>Specifikacije izdelka</b>	<b>Specifikácie produktu</b>	<b>Технически характеристики</b>	<b>Технічні характеристики продукту</b>		
Model	Model	Modelis	Модел	Модель	RBC36X26B/ RBC36B26E	RBC36X26E
Napon	Napetost	Napätie	Напрежение	Напруга	36 Volts	
Brzina bez opterećenja	Hitrost neobremenjenega motorja	Rýchlosť naprázdno	Скорост в ненатоварен режим	Швидкість без навантаження		
Rezača grmlja	Rezalnika grmovja	Krovino rez	Храсторез	Кушоріз	9,000 min <sup>-1</sup>	
Trimer	Kosilnico	Drôtový orezávač	тримера	лінійний тример	8,000 min <sup>-1</sup>	
Promjer flaksa	Premer rezalne nitke	Priemer rezného drôtu	Диаметър на режещото влакно	Диаметр ріжучої лінії	1.65 mm	
Duljina rezanja	Kapaciteta rezanja	Kapacita rezania	Капацитет на разане	Ріжуча здатність		
Rezača grmlja	Rezalnika grmovja	Krovino rez	Храсторез	Кушоріз	256 mm	
Trimer	Kosilnico	Drôtový orezávač	тримера	лінійний тример	305 mm	
Preporučeni zatezni moment za stezanje oštrice	Priporočen navor za zadrževanje rezila	Oporočený krútiaci moment pre rezný nôž	Препоръчителен въртящ момент за натягане на острието	Рекомендований крутний момент для утримання ножа	> 11 N.m	
Preporučeni zakretni moment za pritezanje glave s flaksom	Priporočen navor za pritrditev glave z nitko	Oporočený ťažovací moment na uchytávanie hlavy s vláknom	Препоръчителен въртящ момент за запазване на кордовата глава	Рекомендований крутний момент для утримання струнної головки	> 6 N.m	
Razina vibracija (u skladu s Dodatkom BB EN 50636-2-91:2014)	Nivo vibracij (v skladu z dodatkom BB standarda EN 50636-2-91:2014)	Úroveň vibráci (v súlade s Dodatkom BB v EN 50636-2-91:2014)	Ниво на вибрациите (в съответствие с приложение BB на EN 836)	Рівень вібрації (відповідно до EN 836 додаток BB)	Left/right handle	Front/rear handle
Rezača grmlja	Rezalnika grmovja	Krovino rez	Храсторез	Кушоріз	1.4/3.3 m/s <sup>2</sup>	4.5/4.8 m/s <sup>2</sup>
Trimer	Kosilnico	Drôtový orezávač	тримера	лінійний тример	1.4/3.2 m/s <sup>2</sup>	2.9/3.6 m/s <sup>2</sup>
Neodređenost mjerenja	Negotovost meritev	Nespoľahlivosť meraní	Несигурност на измерването	Невизначеність вимірювання	1.5 m/s <sup>2</sup>	
Razina emisija buke (u skladu s Dodatkom CC EN 50636-2-91:2014)	Raven emisij hrupa (v skladu z dodatkom CC standarda EN 50636-2-91:2014)	Úroveň emisií hluku (v súlade s Dodatkom CC v EN 50636-2-91:2014)	Ниво на шумовите емисии (в съответствие с приложение CC на EN 50636-2-91:2014)	Рівень шуму (відповідно до EN 50636-2-91:2014 Annex CC)		
Ponderirana razina tlaka zvuka (Rezač grmlja/trimer s reznom nit)	A-izmerjena raven zvočnega tlaka (Obrezovalnik grmičevja/kosilnica z vrvcico)	Vážená A hladina akustického tlaku (Krovino rez/strunová kosačka)	Ниво на шумово налягане с равнище A (Храсторез/тример с корда)	A-зважений рівень звукового тиску (Кушоріз/мотокоса)	97.5/88.6 dB(A)	97.4/88.5 dB(A) <sup>2</sup>
Neodređenost mjerenja	Negotovost meritev	Nespoľahlivosť meraní	Несигурност на измерването	Невизначеність вимірювання	2.5 dB	
Ponderirana razina zvučne snage (Rezač grmlja/trimer s reznom nit)	A-izmerjena raven zvočne moči (Obrezovalnik grmičevja/kosilnica z vrvcico)	Vážená A hladina akustického výkonu (Krovino rez/strunová kosačka)	Ниво на силата на шума с равнище A (Храсторез/тример с корда)	A-зважений рівень звукової потужності (Кушоріз/мотокоса)	104.3/93.8 dB(A)	104.3/92.8 dB(A)
Neodređenost mjerenja	Negotovost meritev	Nespoľahlivosť meraní	Несигурност на измерването	Невизначеність вимірювання	2.5 dB	
Težina (Bez baterije)	Teža (Bez baterijskega)	Hmotnosť (Bez batérie)	Тегло (Без батерия)	Вага (без акумулятора)		
Rezača grmlja	Rezalnika grmovja	Krovino rez	Храсторез	Кушоріз	3.72 kg	3.12 kg
Trimer	Kosilnico	Drôtový orezávač	тримера	лінійний тример	3.78 kg	3.18 kg





English	Français	Deutsch	Español	Italiano	Nederlands	Português
Battery and charger	Batterie et chargeur	Akku und Ladegerät	Batería y cargador	Batteria e caricatore	Accu en oplader	Bateria e carregador
Model	Modèle	Modell	Modelo	Modello	Model	Modelo
Battery pack	Batterie	Akku	Batería	Batteria	Accu	Bateria
Weight	Poids	Gewicht	Peso	Peso	Peso	Gewicht
Charger	Chargeur	Ladegerät	Cargador	Caricatore	Lader	Carregador
Compatible battery packs	Packs Batterie Compatibles	Kompatible Akkus	Paquetes de batería compatibles	Gruppo batterie compatibili	Compatibele accupacks	Baterias Compatíveis
Compatible chargers	Chargeur compatible	Kompatibles Ladegerät	Cargador compatible	Caricatore compatibile	Kompatibel oplader	Carregador compatível
Replacement part	Pièce de rechange	Ersatzteil	Pieza de repuesto	Ricambio	Vervangonderdeel	Peça de substituição
RAC114 spool	RAC114 Fil de coupe	RAC114 Schneidfaden	RAC114 Hilo de corte	RAC114 Filo di taglio	RAC114 Maalijjn	RAC114 Linha de corte
RAC117 Tri-Arc+ blade	lame + Tri-Arc de RAC117	RAC117 Tri-Arc+ Messer	Cuchilla Tri-Arc+ de RAC117	Lama Tri-Arc+ da RAC117	Tri-Arc+-mes met diameter van RAC117	Lâmina Tri-Arc+ de RAC117



Polski	Čeština	Magyar	Română	Latviski	Lietuviškai	Eesti
Akumulator i ładowarka	Nabiječka a baterie	Akkumulátor és töltő	Bateria și încărcătorul	Akumulators un lādētājs	Akumulatorius ir įkroviklis	Aku ja laadija
Model	Model	Típus	Model	Modelis	Modelis	Mudel
Akumulator	Baterie	Akkumulátor	Acumulator	Akumulators	Baterija	Aku paketiņa
Greutate	Waga	Bec	Tömög	Teža	Težina	Mass
Ładowarka	Nabiječka	Töltő	Încărcător	Lādētājs	Įkroviklis	Laadija
Pasujące akumulatory	Kompatibilní akumulátory	Kompatibilis akkumulátorok	Acumulatori compatibili	Savietojami akumulatoru komplekti	Suderinami baterijos paketai	Ūhilduvad akupaketid
Odpowiednia ładowarka	Kompatibilní nabiječka	Kompatibilis töltő	Încărcător compatibil	Saderīgs lādētājs	Tinkamas įkroviklis	Kasutatav laadija
Części zamienne	Náhradní díl	Cserealkatrész	Piesă de schimb	Rezerves daļa	Atsarginė dalis	Varuos
RAC114 Linia cięcia	RAC114 Żací struna	RAC114 Vágószál	RAC114 Fir de tăiere	RAC114 Griešanas aukla	RAC114 Pjovimo valas	RAC114 Lõikejõhv
Nóż Tri-Arc+ RAC117	RAC117 čepel Tri-Arc+	RAC117-es Tri-Arc+ tárcsa	Lamă Tri-Arc+ de RAC117	RAC117 Tri-Arc + asmens	RAC117 „Tri-Arc+“ geležtė	RAC117 Tri-Arc+ lõiketera





Dansk	Svenska	Suomi	Norsk	Русский		
Batteri og oplader	Batteri och batteriladdare	Akku ja laturi	Batteri og lader	Аккумуляторная батарея и зарядное устройство		
Model	Modell	Malli	Modell	Модель	RBC36X26B	RBC36X26E
Batteri	Batteri	Akku	Batteri	Аккумулятор	BPL3640	
Vikt	Vægt	Vekt	Paino	Нмотност	1.4 kg	
Oplader	Batteriladdare	Laturi	Lader	Зарядное устройство	BCL3620S	
Kompatible batterier	Kompatibla batteripaket	Yhteensopivat akut	Kompatible batteripakker	Совместимая аккумуляторная батарея	BPL3615, BPL3626, BPL3640, BPL3640D BPL3650D BPL3626D	
Compatibele oplader	Passande laddare	Yhteensopiva laturi	Kompatibel lader	Совместимое зарядное устройство	BCL3620, BCL3650F	
Reservevedel	Ersättningsdel	Varaosat	Erstatningsdel	Заменяемые детали		
RAC114 Klippetråd	RAC114 Skärtråd	RAC114 Leikkuusiima	RAC114 Klippesnor	RAC114 Режущая струна	5132002669	
RAC117 Tri-Arc+ -klinge	RAC117 Tri-Arc+ blad	RAC117:n Tri-Arc+-terä	RAC117 Tri-Arc+-blad	Лезвие Tri-Arc RAC117 + нож	5132002668	



Hrvatski	Slovensko	Slovenčina	България	Українська		
Baterija i punjač	Baterija in polnilnik	Akumulátor a nabijačka	Батерия и зарядно устройство	Акумулятор і зарядний пристрій		
Model	Model	Modelis	Модел	Модель	RBC36X26B	RBC36X26E
Baterija	Akumulator	Batéria	Батерия	Акумуляторна батарея	BPL3640	
Masé	Svars	Hmotnosť	Тегло	Вага	1.4 kg	
Punjač	Polnilac	Nabijačka	Зарядно устройство	Зарядний пристрій	BCL3620S	
Kompatibilna pakiranja baterija	Zdržljive baterije	Kompatibilné jednotky akumulátorov	Съвместими батерии	сумісність батарей	BPL3615, BPL3626, BPL3640, BPL3640D BPL3650D BPL3626D	
Kompatibilni punjač	Zdržljiv polnilac	Kompatibilná nabijačka	Съвместимо зарядно устройство	сумісний зарядний пристрій	BCL3620, BCL3650F	
Zamjenski dijelovi	Nadomestni deli	Náhradné diely	Резервна част	Змінна частина		
RAC114 Flaks	RAC114 Rezilna nitka	RAC114 Rezací drôt	RAC114 Режешо влакно	RAC114 лінія різання	5132002669	
Oštrica Tri-Arc+ od RAC117	RAC117 rezilo Tri-Arc+	RAC117 Tri-Arc+ trojzubý nôž	Острие Tri-Arc+ RAC117	Tri-Arc RAC117 + ніж	5132002668	



## EN Vibration level

### WARNING

The declared vibration value has been measured with a standard test method and may be used to compare one tool with another.  
The declared vibration value may be used in a preliminary assessment of exposure.

The vibration emission during actual use of power tool can differ from the declared total value depending on the ways in which the tool is used.

Identify safety measures to protect yourself based on an estimation of exposure in the actual conditions of use, taking account of all parts of the operating cycle such as the times when the tool is switched off and when it is running idle in addition to the trigger time.

## FR Niveau de vibrations

### AVERTISSEMENT

La valeur déclarée totale des vibrations a été mesurée selon une méthode de test standardisée qui peut être utilisée pour comparer un outil avec un autre.

La valeur déclarée totale des vibrations peut également être utilisée pour évaluer par avance le niveau d'exposition.

La valeur des vibrations réellement produites durant l'utilisation de l'outil électrique peuvent différer de la valeur totale déclarée, en fonction de la manière dont l'outil est utilisé.

Identifiez les mesures de sécurité à prendre pour vous protéger, sur la base d'une estimation de l'exposition réelle, en tenant compte de tous les éléments du cycle d'utilisation tels que le temps d'arrêt de l'outil et le temps de son fonctionnement au ralenti, en plus du temps de fonctionnement normal.

## DE Vibrationsgrad

### WARNUNG

Der angegebene Vibrationswert wurde durch eine Standard-Testmethode ermittelt und kann dazu verwendet werden, ein Werkzeug mit einem anderen zu vergleichen.

Der angegebene Vibrationswert kann für eine Voraburteilung der Exponierung herangezogen werden.

Die Vibrationsemissionen bei der tatsächlichen Benutzung von Elektrowerkzeugen kann sich, abhängig von der Art der Benutzung des Werkzeugs, von dem genannten Wert unterscheiden.

Identifizieren Sie aufgrund einer Einschätzung der Exponierung unter tatsächlichen Einsatzbedingungen Maßnahmen zum eigenen Schutz, unter Berücksichtigung aller Bestandteile des Betriebszyklus, wie die Zeiten zu denen das Werkzeug ausgeschaltet ist, und zu denen es sich zusätzlich zu den Ausrüstzeitpunkten im Leerlauf befindet.

## ES Nivel de vibración

### ADVERTENCIA

El valor declarado de vibraciones se ha medido con un método de prueba estándar y puede utilizarse para comparar una herramienta con otra.

El valor declarado de vibraciones puede utilizarse en una evaluación preliminar de exposición.

La emisión de las vibraciones durante el uso real de la herramienta eléctrica puede diferir del valor total declarado según el uso que se le dé a la herramienta. Identifique las medidas de seguridad para protegerse en base a una estimación de la exposición en las condiciones reales de uso, teniendo en cuenta todas las partes del ciclo de funcionamiento, como los tiempos en que la herramienta está apagada y cuando está en ralentí, además del tiempo de activación.

## IT Livello di vibrazioni

### AVVERTENZE

Il valore delle vibrazioni dichiarato deve essere misurato con un metodo di test standard e può essere utilizzato per paragonare un utensile a un altro.

Il valore dichiarato delle vibrazioni può essere utilizzato nella valutazione preliminare dell'esposizione.

L'emissione delle vibrazioni durante l'utilizzo dell'utensile può essere diversa dal valore totale dichiarato a seconda dei modi in cui l'utensile viene utilizzato.

Individuare misure di sicurezza per proteggersi basate su una stima dell'esposizione nelle attuali condizioni di utilizzo, prendendo in considerazione tutte le parti del ciclo operativo come i tempi in cui l'utensile viene spento o quando funziona al minimo oltre al tempo di attivazione.

## NL Trillingsniveau

### WAARSCHUWING

De aangegeven trillingswaarde werd gemeten met behulp van een standaard testmethode en kan worden gebruikt om gereedschap met elkaar te vergelijken.

De aangegeven trillingswaarde kan worden gebruikt in een voorlopige blootstellingsanalyse.

De trillingsemisatie tijdens het gebruik van het werktuig kan verschillen van de aangegeven totale waarde, afhankelijk van de manier waarop het werktuig wordt gebruikt.

Neem veiligheidsmaatregelen om uzelf te beschermen op basis van een inschatting van de blootstelling in de huidige gebruiksomstandigheden, rekening houdend met alle onderdelen van de bedrijfsfscyclus, zoals de tijd dat het werktuig wordt uitgeschakeld en het stationair draait, bovenop de bedrijfstijd.

## PT Nivel de vibração

### AVISO

O valor de vibração declarado foi medido com um método de teste padrão e pode ser usado para comparar uma ferramenta com outra.

O valor de vibração declarado pode ser utilizado numa avaliação preliminar da exposição.

A emissão das vibrações durante o uso real da ferramenta eléctrica pode diferir do valor total declarado segundo o uso que se der à ferramenta.

Identifique as medidas de segurança para se proteger com base numa estimativa de exposição nas actuais condições de uso, tendo em conta todas as peças do ciclo de funcionamento, como as vezes que a ferramenta é desligada e quando está a trabalhar em ralentí para além do tempo de gatilho.

## DA Vibrationsniveau

### ADVARSEL

Den erklærede vibrationsværdi er målt i henhold til en standard-testmetode og kan bruges til at sammenligne forskellige værktøjer indbyrdes.

Den erklærede vibrationsværdi kan bruges som en foreløbig vurdering af eksponeringen.

Vibrationsemissionen ved praktisk brug af elværktøjet kan variere fra den erklærede totalværdi, alt efter hvordan værktøjet anvendes.

Træf passende sikkerhedsforanstaltninger for at beskytte dig selv ud fra den skønnede eksponering for risici under de aktuelle anvendelsesforhold, hvor du - ud over den effektive arbejdstid - også tager højde for de varierende perioder, som fx når værktøjet er slukket, og når det kører i tomgang.

## SV Vibrationsnivå

### ⚠ VARNING

Det angivna vibrationsvärdet har uppmätts med en standardmetod och kan användas för att jämföra med andra kraftverktyg.

Det angivna vibrationsvärdet kan användas i en preliminär analys av vibrationerna som användaren utsätts för.

De vibrationer som uppstår vid användningen av el-verktyget kan skilja sig från det uppgivna totalvärdet beroende på det sätt som verktyget används på.

Vidtag säkerhetsåtgärder för ditt personliga skydd utifrån den exponering som sker under användningen, ta hänsyn till all användning som då verktyget är avstängt och när det går på tomgång förutom den faktiska brukstiden.

## FI Tärinätaiso

### ⚠ VAROITUS

Ilmoitettu tärinäarvo on mitattu tavallisin testimenetelmin, ja sitä voidaan käyttää verrattaessa laitteita toiseen.

Ilmoitettua tärinäarvoa voidaan käyttää arvioitaessa tärinävaikutusta.

Sähkötyökalun todellisen käytön aikainen tärinä saattaa poiketa ilmoitetusta kokonaisarvosta, laitteen käyttötavasta riippuen.

Määritä käyttäjän suojauskeinot, jotka perustuvat todellisten käyttöolosuhteiden tärinävaikutusarvioon, ottaen huomioon kaikki käyttöjakson osat, kuten ajan, jonka laite on sammuksissa ja käy tyhjäkäynnillä, varsinaisen sahausajan lisäksi.

## NO Vibrasjonsnivå

### ⚠ ADVARSEL

Den oppgitte vibrasjonsverdien er målt med en standard testmetode og kan benyttes for å sammenligne ett verktoy med et annet.

Den oppgitte vibrasjonsverdien kan benyttes for en foreløpig angivelse av eksponering.

Vibrasjonene ved faktisk bruk av et elektrisk verktoy kan skille seg fra oppgitte totalverdier avhengig av måten verktøyet brukes på.

Identifiser sikkeringstiltak som beskytter deg selv, basert på et anslag for eksponering i den faktiske brukssituasjonen der man tar hensyn til alle brukssykluser, som tidspunktet da maskinen ble slått av og når den går på tomgang i tillegg til tiden når verktøyet arbeider.

## RU Уровень вибрации

### ⚠ ОСТОРОЖНО!

Заявленная величина вибрации измерялась в соответствии со стандартной методикой проведения испытаний и может использоваться для сравнения одного инструмента с другим.

Заявленная величина вибрации может использоваться при предварительной оценке характеристик.

Уровень вибрации при работе электроинструмента может отличаться от заявленной общей величины вибрации в зависимости от условий его использования.

Выберите средства защиты оператора с учетом реальных условий эксплуатации, принимая во внимание все факторы рабочего цикла, такие как время, в течение которого инструмент был выключен, и время его работы в холостом режиме.

## PL Poziom drgań

### ⚠ OSTRZEŻENIE

Deklarowany poziom drgań został zmierzony za pomocą standardowej metody pomiaru i jego wyniki mogą służyć do porównywania tego urządzenia z innymi.

Deklarowana wartość drgań może służyć do wstępnej oceny narażenia operatora na wibracje.

Emisja drgań podczas użytkowania elektronarzędzi może różnić się od zadeklarowanej wartości, w zależności od sposobu użytkowania urządzenia.

Określić zasady bezpieczeństwa, oparte na oszacowaniu narażenia operatora w rzeczywistych warunkach użytkowania, uwzględniając wszystkie elementy cyklu operacyjnego, takie jak czasy wyłączenia oraz czasy pracy bez obciążenia, oprócz czasu pracy przy wciśniętym przycisku uruchamiania.

## CS Úroveň vibrací

### ⚠ VAROVÁNÍ

Uznaná hodnota vibrací byla naměřena pomocí standardního testovacího postupu a lze ji použít k porovnání s jiným nástrojem.

Uznaná hodnota vibrací se může používat k předběžnému odhadu vystavování vibracím.

Aktuální hodnoty vibrací během používání nástroje se mohou lišit od výše uvedených a mohou se lišit dle použitého nástroje.

Určete bezpečnostní opatření pro vlastní ochranu, která jsou založena na odhadu vystavení v aktuálních podmínkách používání, popisu všech částí pracovního cyklu jako doby, kdy je nástroj vypnut a když běží naprázdno, kromě doby spuštění.

## HU Vibrációs szint

### ⚠ FIGYELMEZTETÉS

A megadott vibrációs érték szabványos tesztmódszerrel lett meghatározva, és két szerszám összehasonlításakor is használható.

A megadott vibrációs érték a vibrációnak való kitettség előzetes becsléséhez is felhasználható.

A vibráció-kibocsátás a szerszámgép tényleges használat során eltérhet a nyilatkozatban szereplő teljes értéktől, ez függ a gép használatának módjától.

Határozza meg a saját védelmét szolgáló óvintézkedéseket az adott használati körülmények között érvényes kitettség felmérésével, figyelembe véve a használat teljes időtartamát, vagyis beleértve azokat az időszakokat, amikor a gép ki van kacsolva, vagy bekapcsolt állapotban üresjáratban működik.

## RO Nivelul vibrațiilor

### ⚠ AVERTISMENT

Valoarea declarată a vibrațiilor a fost măsurată cu o metodă de testare standard și poate fi utilizată pentru a compara o unealtă cu alta.

Valoare declarată a vibrațiilor poate fi utilizată într-o evaluare preliminară a expunerii.

Emisia de vibrații în timpul folosirii efective a unei electrice poate diferi de valoarea totală declarată în funcție de modulul în care este utilizată unealta.

Identificați măsurile de siguranță pentru a vă proteja, pe baza estimării expunerii la condițiile efective de utilizare, luând în considerare toate etapele ciclului de operare, precum momentele în care unealta este oprită și atunci când funcționează în gol, suplimentar momentului declanșării.



## LV Vibrācijas līmenis

### ⚠ BRĪDINĀJUMS

Nosauktais vibrācijas līmenis ir ticis izmērīts ar standarta pārbaudes metodi un var tikt izmantots, lai salīdzinātu vienu instrumentu ar citu.

Nosauktā vibrācijas vērtība var tikt izmantota sākotnējās iedarbības novērtējumam.

Elektroinstrumenta vibroemisija reālā darba laikā var atšķirties no norādītās kopējās vērtības atkarībā no veidmē, kā instruments tiek lietots.

Nosakiet drošības pasākumus, lai sevi aizsargātu, balstoties uz saskares ilguma novērtējumu atbilstoši lietošanas apstākļiem, ņemot vērā visas lietošanas cikla daļas, tostarp laikus, kad instruments tiek izslēgts un kad tas darbojas tukšgaitā papildus darbināšanas laikam.

## LT Vibracijos lygis

### ⚠ IŠPĒJIMAS

Deklaruotais vibrācijas lygis yra išmatuotas standartinio testo metu ir gali būti naudojamas vieno įrankio su kitu palyginimui.

Deklaruotais vibracijos lygis gali būti naudojamas preliminariam pavojaus įvertinimui.

Elektrinio įrankio naudojimo metu vibracijos lygis gali skirtis nuo deklaruotos bendrosios vertės pagal įrankio naudojimo būdus.

Nustatykite saugumo priemones, kad apsisaugotumėte, kurios pagrįstos pavojaus įvertinimu pačiose naudojimo sąlygose, atkreipiant dėmesį į visas darbo ciklo dalis, pvz. laikotarpį, kai įrankis yra išjungtas ir kai veikia tuščiaja eiga bei perjungimo laiką.

## SL Raven vibracij

### ⚠ OPOZORILO

Navedena vrednost vibracij je bila izmerjena s standardno metodom testiranja i se lahko uporabi za primerjavo različnih orodij.

Navedena vrednost vibracij se lahko uporabi za predhodne ocene izpostavljenosti. Emisije med dejansko uporabo električnega orodja se od navedene vrednosti lahko razlikujejo, odvisno od načina, kako se orodje uporablja.

Ugotovite varnostne ukrepe za zaščito upravljavca, ki temeljijo na oceni izpostavljenosti v dejanskih pogojih uporabe, pri tem pa je treba upoštevati vse dele delovnega cikla – npr. ko je orodje izključeno in ko je v prostem teku in čas zagona.

## SK Úroveň vibrácií

### ⚠ VAROVANIE

Deklarovaná hodnota vibrácií bola meraná podľa štandardnej testovacej metódy a možno ju používať na porovnanie jedného nástroja s iným.

Deklarovaná hodnota vibrácií sa dá použiť aj v predbežnom odhade expozície. Úroveň emisii počas samotného používania elektrického nástroja sa môže líšiť od deklarovanej celkovej hodnoty v závislosti od toho, ktorý nástroj sa používa.

Identifikujte bezpečnostné opatrenia na vašu ochranu ne základe posúdenia skutočných podmienok použitia, pričom vezmite do úvahy všetky časti prevádzkového cyklu, napríklad časov, kedy je nástroj vypnutý a kedy pracuje na voľnobehu okrem času spúšťania.

## ET Vibratsioinitase

### ⚠ HOIATUS

Deklareeritud vibratsiooniväärtus on mõõdetud standardse testimismeetodiga ja seda võib kasutada tööriistade omavaheliseks võrdlemiseks.

Deklareeritud vibratsiooniväärtust võib kasutada mürataseme eelhindamiseks.

Olenevalt seadme kasutusviisist võib mehaanilise tööriista töötamisel ilmneva vibratsiooniemissioon, mille suurus erineb deklareeritud väärtustest.

Kasutaja kaitsmiseks seadmega töötamisel tuleb kindlaks teha turvameetmed, mis põhinevad tegelikes kasutustingimustes esinevale vibratsioonile, sealjuures tuleb arvesse võtta kõiki töotsükli osi, lisaks sisselülitatud olekule näiteks ka vibratsiooni väljalülitamise ajal ja tühikäigul.

## BG Ниво на вибрация

### ⚠ ВНИМАНИЕ

Посочената стойност за вибрациите е измерена с помощта на стандартен тест и може да се използва за сравнение с друг инструмент.

Посочената стойност за вибрациите може да бъде използвана в предварително оценяване за излагане на вибрация.

Вибрациите по време на действителната употреба на електромеханичния инструмент може да се различават от обявената обща стойност в зависимост от начините, по които се използва инструментът.

Определете мерки за безопасност за собствена защита според преценка за излагането на вибрации в реални условия, като се вземат предвид всички елементи на работния цикъл, като например времето, в което инструментът е изключен и когато работи на празен ход, както и времето за задействане.

## HR Razina vibracije

### ⚠ UPOZORENJE

Objavljena vrijednost vibracija je izmjerena standardnom metodom testiranja i može se koristiti za usporedbu jednog alata s drugim.

Objavljena vrijednost vibracija može se koristiti u početnom usklađivanju izloženosti.

Razina vibracija tijekom trenutačne uporabe AKU alata može se razlikovati od deklarirane ukupne vrijednosti ovisno o načinima na koje se alat koristi.

Identificirajte sigurnosne mjere za svoju zaštitu na temelju procjene izloženosti u trenutnim uvjetima korištenja, uzevši u obzir sve dijelove radnog ciklusa kao što su vrijeme kada je alat isključen i kada je pokrenut u praznom hodu u dodatku vremenu pokretanja.

## UK Рівень вібрації

### ⚠ ПОПЕРЕДЖЕННЯ

Оголошене значення вібрації було виміряно за допомогою стандартного методу випробування і може бути використане для порівняння одного інструмента з іншим.

Він може бути використаний для попередньої оцінки впливу.

Емісія вібрації під час фактичного використання електроінструменту може відрізнятись від заявленого значення залежно загального використання інструменту.

Визначити заходи безпеки, щоб захистити себе на основі оцінки впливу в реальних умовах використання, з урахуванням всіх частин робочого циклу, коли інструмент вимкнений, і коли він працює в холостому режимі, доповнюючи робоче положення.



## EN GUARANTEE

In addition to any statutory rights resulting from the purchase, this product is covered by a guarantee as stated below.

1. The guarantee period is 24 months for consumers and commences on the date when the product was purchased. This date has to be documented by an invoice or other proof of purchase. The product is designed and dedicated to consumer and private use only. So there is no guarantee provided in case of professional or commercial use.
2. There is, in some cases (i.e. promotion, range of tools), a possibility to extend the warranty period over the period described above using the registration on the [www.ryobitools.eu](http://www.ryobitools.eu) website. The eligibility of the tool is clearly displayed in stores and/or on packaging. The end user needs to register his/her newly-acquired tools online within 8 days from the date of purchase. The end user may register for the extended warranty in his country of residence if listed on the online registration form where this option is valid. Furthermore, end users must give their consent to the storage of the data which are required to enter online and they have to accept the terms and conditions. The registration confirmation receipt, which is sent out by e-mail, and the original invoice showing the date of purchase will serve as proof of the extended warranty. Your statutory rights remain unaffected.
3. The guarantee covers all defects of the product during the warranty period due to defaults in workmanship or material at the purchase date. The guarantee is limited to repair and/or replacement and does not include any other obligations including but not limited to incidental or consequential damages. The warranty is not valid if the product has been misused, used contrary to the instruction manual, or being incorrectly connected. This guarantee does not apply to
  - any damage to the product that is the result of improper maintenance
  - any product that has been altered or modified
  - any product where original identification (trade mark, serial number) markings have been defaced, altered or removed
  - any damage caused by non-observance of the instruction manual
  - any non CE product
  - any product which has been attempted to be repaired by an non-qualified professional or without prior authorization by Techtronic Industries
  - any product connected to improper power supply (amps, voltage, frequency)
  - any product used with inappropriate fuel mixture (fuel, oil, percentage of oil)
  - any damage caused by external influences (chemical, physical, shocks) or foreign substances
  - normal wear and tear of spare parts
  - inappropriate use, overloading of the tool
  - use of non-approved accessories or parts
  - carburettor after 6 months, carburettor adjustments after 6 months
  - components (parts and accessories) subject to natural wear and tear, including but not limited to bump knobs, drive belts, clutch, blades of hedge trimmers or lawn mowers, harness, cable throttle, carbon brushes, power cord, tines, felt washers, hitch pins, blower fans, blower and vacuum tubes, vacuum bag and straps, guide bars, saw chains, hoses, connector fittings, spray nozzles, wheels, spray wands, inner reels, outer spools, cutting lines, spark plugs, air filters, gas filters, mulching blades, etc.
4. For servicing, the product must be sent or presented to a RYOBI authorized service station listed for each country in the following list of service station addresses. In some countries your local RYOBI dealer undertakes to send the product to the RYOBI service organisation. When sending a product to a RYOBI service station, the product should be safely packed without any dangerous contents such as petrol, marked with sender's address and accompanied by a short description of the fault.
5. A repair/replacement under this guarantee is free of charge. It does not constitute an extension or a new start of the guarantee period. Exchanged parts or tools become our property. In some countries delivery charges or postage will have to be paid by the sender.
6. This guarantee is valid in the European Community, Switzerland, Iceland, Norway, Liechtenstein, Turkey and Russia. Outside these areas, please contact your authorized RYOBI dealer to determine if another warranty applies.

### AUTHORISED SERVICE CENTRE

To find an authorised service centre near you, visit <http://uk.ryobitools.eu/header/service-and-support/service-agents>.

## FR GARANTIE

En plus des droits statutaires liés à l'achat, ce produit est couvert par une garantie telle que décrite ci-dessous.

1. La durée de la garantie accordée au consommateur est de 24 mois à partir de la date d'achat. Cette date doit être authentifiée par une facture ou tout autre preuve d'achat. Le produit a été conçu en vue d'une utilisation strictement privée. Aucune garantie ne s'applique donc en cas d'utilisation professionnelle ou commerciale.
2. Il existe, dans certains cas (par exemple promotion, gamme d'outils), une possibilité d'étendre la période de garantie au-delà de la période précédemment décrite en utilisant le formulaire d'enregistrement présent sur le site Internet [www.ryobitools.eu](http://www.ryobitools.eu). L'éligibilité d'un outil est clairement affichée dans les points de vente et/ou sur l'emballage. L'utilisateur final doit enregistrer son/ses outil(s) nouvellement acheté(s) en ligne dans les 8 jours qui suivent la date d'achat. L'utilisateur a la possibilité de s'enregistrer pour l'extension de garantie dans son pays de résidence si celui-ci est listé dans le formulaire d'enregistrement en ligne où cette option est valide. L'utilisateur final doit donner son consentement pour l'enregistrement des données requises pour accéder au site et doit accepter les termes et conditions. La confirmation d'enregistrement, envoyée par courrier électronique, ainsi que la facture originale mentionnant la date d'achat serviront de preuve de l'extension de garantie. Vos droits statutaires restent inchangés.
3. La garantie couvre les défauts des pièces et de main d'oeuvre du produit pendant la période de garantie à partir de la date d'achat. La garantie n'inclut aucune autre obligation, tel que, mais sans s'y limiter, les dommages accessoires ou indirects. La garantie est non valable en cas de mauvaise utilisation du produit, d'utilisation contraire aux instructions du mode d'emploi, ou en cas de branchement incorrect. Cette garantie ne s'applique pas pour :
  - tout dommage au produit résultant d'un mauvais entretien
  - tout produit ayant été altéré ou modifié
  - tout produit dont les marquages originaux d'identification (marque, numéro de série) ont été dégradés, altérés ou retirés
  - tout dommage causé par le non-respect des instructions du mode d'emploi
  - tout produit non CE
  - tout produit ayant subi une tentative de réparation par du personnel non qualifié ou sans autorisation préalable de Techtronic Industries
  - tout produit raccordé à une alimentation secteur non conforme (ampérage, voltage, fréquence)
  - tout produit utilisé avec un mélange inapproprié (essence, huile, pourcentage d'huile)
  - tout dommage causé par des influences extérieures (chimiques, physiques, chocs) ou par des substances étrangères
  - l'usure normale des pièces consommables
  - une utilisation inappropriée, une surcharge de l'outil
  - l'utilisation de pièces ou accessoires non agréés
  - les carburateurs après plus de 6 mois à compter de la date d'achat, également les réglages du carburateur après plus de 6 mois à compter de la date d'achat
  - les composants (pièces et accessoires) sujets à une usure naturelle, incluant de façon non exhaustive les têtes de fil à frapper, les courroies de transmission, les embrayages, les lames des taille-haies ou des tondeuses à gazon, les harnais, les câbles d'accélérateur, les charbons, les cordons d'alimentation, les fraises de cultivateurs, les rondelles feutre, les goupilles de fraise, les turbines et lame de broyage des souffleurs, les tubes de soufflage et d'aspiration des souffleurs, les sacs de souffleurs et leurs lanières, les guides-chaîne, les chaînes de tronçonneuses, les tuyaux et raccords, les buses et lances de nettoyeurs haute pression, les roues, les recharges de fil des têtes de coupe, les têtes de coupe, le fil de coupe, les bougies d'allumage, les filtres à air, les filtres à essence, etc.
4. Si le produit doit être réparé, envoyez-le à un service après-vente agréé RYOBI dont vous trouverez ci-dessous la liste pour chaque pays. Dans certains pays, votre revendeur RYOBI se chargera d'envoyer le produit à un centre de réparation RYOBI. Lorsque vous envoyez un produit à un service après-vente RYOBI, celui-ci doit être correctement emballé, sans contenir aucun produit dangereux tel que de l'essence, et vous devez indiquer votre adresse ainsi qu'une courte description du problème.
5. Une réparation / un remplacement sous garantie est gratuit(e). Ceci ne constituera pas une extension de garantie ni un nouveau départ de la période de garantie. Les pièces ou les outils remplacés deviennent notre propriété. Dans certains pays, les frais de port devront être assumés par l'expéditeur.
6. Cette garantie est valable au sein de l'Europe, de la Suisse, de l'Islande, de la Norvège, du Liechtenstein, de la Turquie, de la Russie. En dehors de ces zones, veuillez contacter votre distributeur agréé RYOBI pour déterminer si une autre garantie s'applique.

### SERVICE APRÈS-VENTE AGRÉÉ

Pour trouver le service après-vente agréé le plus proche, rendez-vous sur <http://fr.ryobitools.eu/header/service-and-support/service-agents>.



## DE GARANTIE

Zusätzlich zu den aufgrund des Kaufs entstehenden gesetzlichen Rechten, ist dieses Produkt von der unten aufgeführten Garantie abgedeckt.

- Die Garantiezeit für Endverbraucher beträgt 24 Monate für und beginnt ab dem Kaufdatum des Produktes. Dieses Datum muss durch eine Rechnung oder einen anderen Kaufbeleg dokumentiert sein. Das Produkt ist ausschließlich für den Privatgebrauch entwickelt und bestimmt. Deshalb wird keine Garantie im Fall von professionellem oder kommerziellem Einsatz angeboten.
- In einigen Fällen (z.B. Promotion, auf eine bestimmte Produktpalette oder auf bestimmte Produkte begrenzt) besteht die Möglichkeit die Garantiezeit über den oben genannten Zeitraum, durch Registrierung auf der Webseite [www.ryobitools.eu](http://www.ryobitools.eu), zu verlängern. Der verlängerte Garantieanspruch für ein bestimmtes Produkt wird deutlich in den Geschäften und/oder auf der Verpackung des Produktes gezeigt. Der Endverbraucher muss seine neu gekauften Produkte innerhalb von 8 Tagen ab Kaufdatum registrieren. Der Endverbraucher kann sich für die erweiterte Garantie im Land seines permanenten Wohnsitzes registrieren, wenn diese Möglichkeit in dem Online-Formular gegeben ist. Des weiteren müssen die Endverbraucher ihr Einverständnis zur Speicherung der online angegebenen Daten geben und die Geschäftsbedingungen annehmen. Die per E-Mail verschickte Bestätigung der Registrierung und die Originalrechnung mit Kaufdatum dienen als Nachweis für die verlängerte Garantie. Ihre gesetzlichen Rechte bleiben unangetastet.
- Die Garantie deckt während der Garantiezeit ab Kaufdatum alle Produktmängel aufgrund von Material- oder Herstellungsmängeln ab. Diese Garantie ist auf Reparatur und/oder Ersatz beschränkt und enthält keine weitere Verpflichtungen einschließlich aber nicht beschränkt auf beiläufige oder resultierende Schäden. Die Garantie ist nicht gültig, wenn das Produkt missbräuchlich oder entgegen der Bedienungsanleitung benutzt, oder falsch angeschlossen wurde. Diese Garantie gilt nicht für:
  - Jegliche Schäden die an dem Produkt aufgrund falscher Wartung entstehen.
  - Jedes Produkt das verändert oder modifiziert wurde.
  - Jedes Produkt an dem die originale Identifizierung (Markenzeichen, Seriennummer) verunstaltet, verändert oder entfernt wurden.
  - Jede Beschädigung die durch Nichtbeachtung der Bedienungsanleitung verursacht wurde.
  - Jedes Produkt ohne CE Zeichen.
  - Jedes Produkt das von einer unqualifizierten Person oder ohne vorherige Genehmigung von Techtronic Industries versucht wurde zu reparieren.
  - Jedes Produkt das an eine falsche Stromversorgung (Ampere, Spannung, Frequenz) angeschlossen wurde.
  - Jedes Produkt das mit einer falschen Treibstoffmischung (Treibstoff, Öl, Prozentanteil von Öl) betrieben wurde.
  - Jede Beschädigung die von äußeren Einflüssen (chemisch, physisch, Stöße) oder fremden Substanzen verursacht wurde.
  - Normaler Verschleiß und Abnutzung von Ersatzteilen.
  - Zweckwidrige Benutzung, Überlastung des Werkzeugs.
  - Benutzung von nicht zugelassenem Zubehör oder Teilen.
  - Den Vergaser nach 6 Monaten, die Vergasereinstellung nach 6 Monaten.
  - Teile (Teile und Zubehörteile) die normalem Verschleiß unterliegen, einschließlich aber nicht beschränkt auf Fadenköpfe, Antriebsriemen, Kupplungen, Klingen von Heckenschneidern oder Rasenmähern, Gurtzeug, Gaszügen, Kohlebürsten, Netzkabel, Zinken, Filzunterlegscheiben, Anhangsstifte, Gebläse, Gebläse- und Saugschläuche, Saugbeutel und Riemen, Führungsschienen, Sägeketten, Schläuche, Anschlüsse, Sprühdüsen, Räder, Sprühdüsen, innere Rollen, äußere Spulen, Schneidfäden, Zündkerzen, Luftfilter, Treibstofffilter, Mulchmesser usw.
- Zur Wartung muss das Produkt eingeschickt werden oder einem für jedes Land in der folgenden Liste aufgeführten autorisierten RYOBI Kundendienst gebracht werden. In einigen Ländern schickt Ihr örtlicher RYOBI Händler das Produkt an den RYOBI Kundendienst. Wenn ein Produkt an den RYOBI Kundendienst geschickt wird, sollte es sicher verpackt werden, ohne gefährlichen Inhalt, wie Treibstoff, mit der Absenderadresse versehen sein und eine kurze Beschreibung des Fehlers enthalten.
- Reparatur/Ersatz unter dieser Garantie sind kostenfrei. Das stellt keine Verlängerung oder Neustart der Garantiezeit dar. Ausgewechselte Teile oder Werkzeuge treten in unseren Besitz über. In einigen Ländern müssen Lieferkosten oder Postgebühren von dem Absender getragen werden.
- Diese Garantie gilt in der Europäische Gemeinschaft, Schweiz, Island, Norwegen, Liechtenstein, Türkei und Russland. Bitte kontaktieren Sie Ihren autorisierten RYOBI-Händler, um herauszufinden ob eine andere Gewährleistung außerhalb dieser Gebiete gültig ist.

### AUTORISIERTER KUNDENDIENST

Besuchen Sie <http://de.ryobitools.eu/header/service-and-support/service-agents>, um einen autorisierten Kundendienst in Ihrer Nähe zu finden.

## ES GARANTÍA

Además de cualquier derecho estatutario derivado de la compra, este producto está cubierto con la siguiente garantía.

- El período de garantía es de 24 meses para los consumidores y comienza a partir de la fecha de compra del producto. Esta fecha debe demostrarse con una factura u otra prueba de compra. El producto está diseñado y destinado al consumidor y únicamente para uso privado. Por tanto, no se ofrece ninguna garantía en caso de uso profesional o comercial.
- En algunos casos (como promociones o un conjunto de herramientas) existe la posibilidad de ampliar el período de garantía hasta el período descrito anteriormente mediante el registro en el sitio web [www.ryobitools.eu](http://www.ryobitools.eu). La elegibilidad de la herramienta se muestra claramente en las tiendas o en el embalaje. El usuario final debe registrar sus herramientas recién adquiridas en línea en los 8 días siguientes a la fecha de compra. El usuario final podrá registrarse para ampliar la garantía en su país de residencia si éste aparece en el formulario de registro en línea en que esta opción es válida. Además, los usuarios finales deben dar su consentimiento para que se guarden los datos que se solicitan para entrar en línea y aceptar los términos y condiciones. El recibo de la confirmación de registro, que se enviará por correo electrónico, y la factura original que muestre la fecha de compra servirán como prueba de la ampliación de la garantía. Sus derechos estatutarios permanecerán intactos.
- La garantía cubre, durante el período de garantía, todos los defectos del producto que se deban a fallos de la mano de obra o a fallos del material en la fecha de compra. La garantía tiene un límite de reparación o sustitución y no incluye ninguna otra obligación se deba a, aunque sin limitarse a ello, daños accidentales o incidentales. La garantía no es válida si se ha hecho un uso inadecuado del producto, si no se ha usado siguiendo el manual de instrucciones o si se ha conectado incorrectamente. Esta garantía no se aplica a:
  - cualquier daño del producto derivado de un mantenimiento inadecuado
  - cualquier producto que haya sido alterado o modificado
  - cualquier producto en el que las marcas de identificación originales (marca comercial, número de serie) hayan sido borradas, modificadas o eliminadas
  - cualquier daño causado por el incumplimiento del manual de instrucciones
  - cualquier producto que no sea CE
  - cualquier producto que haya intentado reparar un profesional no cualificado o sin una autorización previa de Techtronic Industries
  - cualquier producto conectado a un suministro eléctrico inadecuado (amperios, tensión, frecuencia)
  - cualquier producto utilizado con una mezcla de combustible inadecuada (combustible, aceite, porcentaje de aceite)
  - cualquier daño causado por influencias externas (de productos químicos, daños físicos, descarga eléctrica) o sustancias extrañas
  - desgaste o rotura normal de las piezas de repuesto
  - uso inadecuado, sobrecarga de la herramienta
  - uso de accesorios o piezas no homologados
  - carburador después de 6 meses, ajustes del carburador después de 6 meses
  - componentes (piezas y accesorios) sujetos a un desgaste o rotura natural, incluyendo, aunque sin limitarse a ello, las perillas de las bombas, correas de transmisión, embrague, cuchillas de cortasetos o cortacéspedes, arnés, acelerador, escobillas de carbón, cable de alimentación, horquillas, arandelas de fieltro, pasadores de enganche, ventiladores, tubos de ventilador y de vacío, correas y bolsas de vacío, barras de guía, sierras de cadena, mangueras, accesorios de conexión, boquillas pulverizadoras, ruedas, varas riodadoras, carretes interiores y exteriores, hilos de corte, bujías, filtros de aire, filtros de gas, cuchillas de trituración, etc.
- Para el servicio, el producto debe enviarse o entregarse en un punto de servicio técnico autorizado RYOBI enumerado para cada país en la siguiente lista de direcciones de servicio técnico. En algunos países su distribuidor local RYOBI se encarga de enviar el producto a la organización del servicio de RYOBI. Al enviar un producto a un punto de servicio técnico RYOBI, el producto debe embalarse de forma segura sin que contenga ninguna sustancia peligrosa como petróleo, debe llevar la dirección del remitente e ir acompañado de una breve descripción del fallo.
- Una reparación/sustitución dentro de esta garantía se realiza de forma gratuita. No constituye una ampliación ni un reinicio del período de garantía. Las piezas o herramientas que se cambian pasan a ser de nuestra propiedad. En algunos países los gastos de envío o del franqueo deberá pagarlos el remitente.
- Esta garantía es válida en la Comunidad Europea, Suiza, Islandia, Noruega, Liechtenstein, Turquía y Rusia. Fuera de estas zonas, póngase en contacto con su distribuidor autorizado RYOBI para determinar si se aplica otra garantía.

### SERVICIO TÉCNICO AUTORIZADO

Para encontrar el servicio técnico autorizado más cercano, visite <http://uk.ryobitools.eu/header/service-and-support/service-agents>.

## IT GARANZIA

Oltre ai legittimi diritti derivanti dall'acquisto del prodotto, quest'ultimo è coperto da garanzia come indicato nei seguenti punti.

1. Il periodo di garanzia per il consumatore è di 24 mesi ed ha inizio dalla data in cui il prodotto è stato acquistato. Questa data deve essere documentata da una ricevuta o da altra prova d'acquisto. Il prodotto è stato disegnato e progettato solo per l'utilizzo privato del consumatore. La garanzia viene invalidata in caso di utilizzo professionale o commerciale.
2. In alcuni casi (per esempio promozioni e gamme di prodotti) esiste la possibilità di estendere il periodo di garanzia oltre il periodo indicato sopra registrandosi sul sito web [www.ryobitools.eu](http://www.ryobitools.eu). L'idoneità del prodotto a rievolvere tale estensione viene indicata chiaramente nei punti vendita e/o sull'imballo. L'utente finale deve registrare il suo prodotto appena acquistato online entro 8 giorni dalla data d'acquisto. L'utente finale può accedere all'offerta nel suo paese quando la stessa è valida e qualora si sia registrato online. Inoltre, gli utenti finali devono dare il proprio consenso all'archiviazione dei dati che si inseriscono online indicando che i termini e le condizioni sono stati accettati. La ricezione della conferma della registrazione verrà inviata via email e la fattura originale indicante la data d'acquisto verrà utilizzata come prova della garanzia estesa. I diritti legittimi dell'utente rimarranno invariati.
3. La garanzia copre tutti i difetti di fabbricazione del prodotto durante il periodo di garanzia a causa di guasti di fabbricazione o di materiale alla data di acquisto. La garanzia è limitata alla riparazione e/o alla sostituzione e non include altri obblighi compreso ma non limitato a danni incidentali o consequenziali. La garanzia non è valida se il prodotto non è stato utilizzato come indicato nel manuale di istruzioni o se è stato collegato in maniera non corretta. La garanzia non si applica a:
  - qualsiasi danno al prodotto che sia il risultato di una scorretta manutenzione
  - qualsiasi prodotto che sia stato alterato o modificato
  - qualsiasi prodotto sul quale l'identificazione originale (marchio registrato, numero di serie) sia stata resa illegibile, sia stata danneggiata o alterata
  - qualsiasi danno causato dalla non osservanza del manuale d'istruzioni
  - qualsiasi prodotto non contrassegnato con il marchio CE
  - qualsiasi prodotto che una persona non qualificata abbia tentato di riparare o che si è tentato di riparare senza l'autorizzazione delle Techtronisianoc Industries
  - qualsiasi prodotto collegato a un'alimentazione non corretta (per amp, voltaggio, frequenza)
  - qualsiasi prodotto utilizzato con la miscela scorretta di carburante (carburante, olio, percentuale d'olio)
  - qualsiasi danno causato da agenti esterni (chimici, fisici o shock) o da sostanze estranee
  - normale usura di parti di ricambio
  - utilizzo non appropriato, sovraccaricamento di utensili
  - utilizzo non approvato di accessori o parti
  - carburatore dopo 6 mesi, regolazioni al carburatore dopo 6 mesi
  - componenti (parti e accessori) soggetti alla normale usura, compreso ma non limitato a manopole di avviamento a spinta, cinghie di trasmissione, frizione, lame di sfrondatori o tagliaerba, cablaggio, cavo dell'acceleratore, spazzole al carbonio, cavi dell'alimentazione, lancette, rondelle in feltro, perni di aggancio, ventole del soffiatore, tubi del soffiatore e dell'aspirapolvere, sacchetti e cinghie dell'aspirapolvere, barre di guida, catene della motosega, tubi, raccordi del commutatore, ugelli a spruzzo, ruote, bacchette a spruzzo, bobine interne, bobine esterne, fili di taglio, candele, filtri dell'aria, filtri del gas, lame di triturazione, ecc.
4. Per servizi di manutenzione, il prodotto dovrà essere mandato o presentato presso un punto di servizio clienti autorizzato RYOBI indicato nella seguente lista. In alcune nazioni il rivenditore RYOBI si occuperà di inviare il prodotto al più vicino servizio clienti Ryobi. Quando si invia un prodotto a un servizio clienti RYOBI, il prodotto dovrà essere correttamente imballato senza eventuali contenuti pericolosi quali carburanti, e contrassegnato con l'indirizzo della persona che lo ha inviato e accompagnato da una breve descrizione del problema riscontrato.
5. Si garantisce una riparazione/sostituzione gratuita quando il prodotto è coperto da garanzia. Questa sostituzione o riparazione non costituisce una estensione o un nuovo inizio di un periodo di garanzia. Le parti o l'utensile cambiati sono di proprietà della ditta. In alcune nazioni i costi di consegna o invio dovranno essere pagati dalla persona che spedisce.
6. Questa garanzia è valida all'interno della Comunità Europea, in Svizzera, Islanda, Norvegia, Liechtenstein, Turchia e Russia. Al di fuori di queste aree, si prega di contattare il proprio gestore autorizzato RYOBI per determinare se si applica un'altra garanzia.

### CENTRO SERVIZI AUTORIZZATO

Per individuare il più vicino centro servizi autorizzato, visitare il sito <http://uk.ryobitools.eu/header/service-and-support/service-agents>.

## NL GARANTIE

Bovenop de statutaire rechten als gevolg van de aankoop, wordt dit product gedekt door een garantie, zoals deze hieronder wordt beschreven.

1. De garantieperiode bedraagt 24 maanden voor consumenten en begint vanaf de datum waarop het product werd aangekocht. Deze datum moet worden gedocumenteerd door een factuur of ander aankoopbewijs. Het product is uitsluitend ontworpen en bedoeld voor particuliere gebruikers. De garantie vervalt bij professioneel of commercieel gebruik.
2. In enkele gevallen (vb. promotie, gereedschapsaanbod) bestaat er een mogelijkheid om de garantieperiode te verlengen met dezelfde periode als deze hierboven beschreven met behulp van de registratie op de website [www.ryobitools.eu](http://www.ryobitools.eu). Of het product al of niet in aanmerking komt, is duidelijk aangegeven in winkels en/of de verpakking. De eindgebruiker dient zijn/haar nieuw werktuig binnen de 8 dagen na de aankoopdatum online registreren. De eindgebruiker kan zich aanmelden voor de uitgebreide garantie in zijn verblijfsland als dit op het online registratieformulier is opgenomen wanneer deze optie geldig is. Bovendien moet de eindgebruiker zijn toestemming geven om informatie te gebruiken die nodig is om toegang te krijgen tot de website en dient de algemene voorwaarden te accepteren. Het ontvangstbewijs van dit registratieformulier, dat via e-mail wordt verzonden, en de originele factuur die de aankoopdatum vermeldt dienen als bewijs van de uitgebreide garantie. Uw statutaire rechten blijven onveranderd.
3. De garantie dekt alle defecten van het product gedurende de garantieperiode als gevolg van fouten in het werk of materiaal op de aankoopdatum. De garantie is beperkt tot de reparatie en/of vervanging en omvat geen andere verplichtingen waaronder, maar niet beperkt tot, incidentele of gevolgschade. De garantie is niet geldig als het product werd misbruikt, in tegenspraak met de gebruiksaanwijzing werd gebruikt of foutief werd verbonden. Deze garantie geldt niet voor:
  - schade aan het product als gevolg van foutief onderhoud
  - als het product op enigerlei wijze werd gewijzigd
  - als originele markeringen ter identificatie (handelsmerk, serienummer) van het product werden verwijderd of gewijzigd
  - voor schade als gevolg van het niet in acht nemen van deze gebruiksaanwijzing
  - een niet EC-product
  - een product, waaraan een niet-gekwalificeerde vakman reparaties uitvoerde of waaraan reparaties werden uitgevoerd zonder voorafgaande toestemming van Techtronic Industries
  - een product dat werd aangesloten aan een foutieve krachtbron (amps, spanning, frequentie)
  - een product dat met een ongeschikt brandstofmengsel (brandstof, olie, oliepercentage) werd gebruikt
  - schade veroorzaakt door externe invloeden (chemische, fysieke schokken) of vreemde stoffen
  - normale slijtage van reserve-onderdelen
  - foutief gebruik, overbelasting van het werktuig
  - gebruik van niet-goedgekeurde accessoires of onderdelen
  - de carburator na 6 maanden, carburatorafstellingen na 6 maanden
  - componenten (onderdelen en accessoires) die onderworpen zijn aan slijtage, met inbegrip van, maar niet beperkt tot stookknoppen, aandrijfriemen, koppeling, snijbladen van heggentrimmers of grasmaaimachines, harnassen, versnellingskabels, koolborstels, stroomsnoeren, tanden, viltrenen, trekpenen, ventilatoren, blazer- en vacuümbuizen, stofzuigzakken en –riemen, geleiders, zaagkettingen, slangen, connectoren, sproeimodellen, wielen, sproeiërs, inwendige spoelen, uitwendige spoelen, maaijlijnen, bougies, luchtfilters, gasfilters, struikruimbladen, etc.
4. Voor onderhoud moet het product naar een geautoriseerd RYOBI-onderhoudsstation worden gestuurd of gebracht. Een lijst met de adressen van deze stations per land is hier opgenomen. In bepaalde landen verzendt uw plaatselijke RYOBI-verdeler het product naar de RYOBI-onderhoudsorganisatie. Als een product naar een RYOBI-onderhoudsstation wordt gezonden, moet het product veilig zijn verpakt zonder gevaarlijke inhoud, zoals benzine, met aanduiding van het adres van de verzender en met inbegrip van een korte beschrijving van de fout.
5. Een reparatie/vervanging onder deze garantie is gratis. Dit heeft geen gevolgen voor de duur van deze garantie of betekent niet dat de garantie wordt verlengd of opnieuw begint. Vervangen onderdelen of werktuigen worden onze eigendom. In bepaalde landen moeten verzendings- of leveringskosten door de verzender worden betaald.
6. Deze garantie is geldig in de Europese Unie, Zwitserland, IJsland, Noorwegen, Liechtenstein, Turkije en Rusland. Buiten deze landen neemt u contact op met uw geautoriseerde RYOBI-verdeler om te bepalen of er een andere garantie geldt is.

### GEAUTORISEERD ONDERHOUDSCENTRUM

Om een geautoriseerd onderhoudscentrum in uw buurt te vinden, surf u naar <http://uk.ryobitools.eu/header/service-and-support/service-agents>.

## PT GARANTIA

Além de qualquer direito estatutário derivado da compra, este produto está coberto com a seguinte garantia.

- O período de garantia é de 24 meses para os consumidores e começa a partir da data de compra do produto. Esta data deve ser comprovada com uma factura ou outra prova de compra. O produto foi desenhado e destinado ao consumidor e apenas para uso privado. Portanto, não se oferece qualquer garantia em caso de uso profissional ou comercial.
- Em alguns casos (como promoções ou um conjunto de ferramentas) existe a possibilidade de ampliar o período de garantia até ao período descrito anteriormente através do registo no website [www.ryobitools.eu](http://www.ryobitools.eu). A elegibilidade da ferramenta mostra-se claramente nas lojas ou na embalagem. O utilizador final deve registar as suas ferramentas recém-adquiridas on-line nos 8 dias seguintes à data de compra. O utilizador final poderá registar-se para ampliar a garantia no seu país de residência se este aparecer no formulário de registo on-line em que esta opção é válida. Além disso, os utilizadores finais devem dar o seu consentimento para se guardarem os dados que se solicitam para entrar on-line e aceitar os termos e condições. A confirmação de registo, que será enviada por correio electrónico, e a factura original que mostre a data de compra servirão como prova da ampliação da garantia. Os seus direitos estatutários permanecerão intactos.
- A garantia cobre, durante o período de garantia, todos os defeitos do produto que se devam a falhas da mão-de-obra ou a falhas do material na data de compra. A garantia tem um limite de reparação ou substituição e não inclui qualquer outra obrigação que se deva a, embora sem se limitar a tal, danos acidentais ou incidentais. A garantia não é válida se se fez um uso inadequado do produto, se não se usou seguindo o manual de instruções ou se foi ligado incorrectamente. Esta garantia não se aplica a:
  - qualquer dado do produto derivado de uma manutenção inadequada
  - qualquer produto que tenha sido alterado ou modificado
  - qualquer produto em que as marcas de identificação originais (marca comercial, número de série) tenham sido apagadas, modificadas ou eliminadas
  - qualquer dano causado por incumprimento do manual de instruções
  - qualquer produto que não seja CE
  - qualquer produto que um profissional não qualificado tenha tentado reparar ou sem uma autorização prévia de Techtronic Industries
  - qualquer produto ligado a um fornecimento eléctrico inadequado (amperios, tensão, frequência)
  - qualquer produto utilizado com uma mistura de combustível inadequada (combustível, óleo, percentagem de óleo)
  - qualquer dano causado por influências externas (de produtos químicos, danos físicos, descarga eléctrica) ou substâncias estranhas
  - desgaste ou ruptura normal das peças de substituição
  - uso inadequado, sobrecarga da ferramenta
  - uso de acessórios ou peças não homologadas
  - carburador após 6 meses, ajustes do carburador após 6 meses
  - componentes (peças e acessórios) sujeitos a um desgaste ou ruptura natural, incluindo, embora sem se limitar a tal, os botões de embate, correias de transmissão, embraiagem, lâminas de corta-arbustos ou corta-relvas, ameses, acelerador, escovas de carvão, cabo de alimentação, forquilhas, anilhas de feltro, passadores de gancho, ventiladores, tubos de ventilador e de vácuo, correias e bolsas de vácuo, barras de guia, serras de cadeia, mangueiras, acessórios de ligação, boquilhas pulverizadoras, rodas, varas borrifadoras, carretes interiores e exteriores, fios de corte, velas, filtros de ar, filtros de gás, lâminas de trituração, etc.
- Para o serviço, o produto deve ser enviado ou entregue num ponto de serviço técnico autorizado RYOBI enumerado para cada país na seguinte lista de moradas de serviço técnico. Em alguns países o seu distribuidor local RYOBI encarrega-se de enviar o produto para a organização do serviço de RYOBI. Ao enviar um produto a um ponto de serviço técnico RYOBI, o produto deve ser embalado de forma segura sem que contenha qualquer substância perigosa como petróleo, deve levar a morada do remetente e ir acompanhado de uma breve descrição da falha.
- Uma reparação/substituição dentro desta garantia realiza-se de forma gratuita. Não constitui uma ampliação nem um reinício do período de garantia. As peças o ferramentas que se alterem passam a ser da nossa propriedade. Em alguns países os gastos de envio ou da franquia deverá pagá-los o remetente.
- Esta garantia é válida na Comunidade Europeia, Suíça, Islândia, Noruega, Liechtenstein, Turquia e Rússia. Fora destas zonas, entre em contacto com o seu distribuidor autorizado RYOBI para determinar se se aplica outra garantia.

### CENTRO DE ASSISTÊNCIA AUTORIZADO

Para encontrar um centro de assistência autorizado próximo de si, visite <http://uk.ryobitools.eu/header/service-and-support/service-agents>.

## DA GARANTI

Ud over de lovbestemte rettigheder ved køb, er dette produkt dækket af en garanti som angivet nedenfor.

- Garantien er 24 måneder for forbrugerne og træder i kraft den dato, hvor produktet bliver købt. Denne dato skal dokumenteres af en faktura eller andet købsbevis. Produktet er designet og beregnet til privat brug. Så der er ingen garanti i tilfælde af erhvervs-mæssig brug.
- Der er i visse tilfælde (f.eks. kampagner eller udvalgt produkter) mulighed for at forlænge garantien i perioden beskrevet ovenfor ved at registrere produktet på [www.ryobitools.dk](http://www.ryobitools.dk). Berettigelsen af produktet vises tydeligt i butikker og / eller på emballagen. Slutbrugeren skal registrere hans/hendes nyhvervede produkter online indenfor 8 dage fra købsdatoen. Slutbrugeren kan tilmelde sig den udvidede garanti i sit bopælsland, hvis det er opført på den online tilmeldingsformular. Desuden skal slutbrugere give deres samtykke til lagring af de data, der er nødvendige for at komme ind på nettet, og de er nødt til at acceptere vilkår og betingelser. Kvittingen på modtagelsen af registrering, som udsendes via e-mail, og den originale faktura, der angiver købsdatoen, fungerer som bevis på den udvidede garanti. Dine lovbestemte rettigheder forblive uændret.
- Garantien dækker alle fejl ved produktet i løbet af garantiperioden, som kan føres tilbage til fabrikkations- eller materialefejl på købsdatoen. Garantien begrænser sig til reparation og/eller udskidning og omfatter ikke andre forpligtelser inklusiv, men ikke begrænset til, skader eller følgeskader. Garantien er ikke gyldig, hvis produktet har været udsat for misbrug, anvendelse i strid med brugsanvisningen eller har været tilsluttet forkert. Denne garanti dækker ikke:
  - Enhver skade på produktet som følge af ukorrekt vedligeholdelse
  - Ethvert produkt, som er blevet ændret eller modificeret
  - Ethvert produkt, hvor de originale identifikationsmærker (varemærke, serienummer) er blevet ødelagt, ændret eller fjernet
  - Enhver skade, der skyldes manglende overholdelse af brugsanvisningen
  - Ethvert produkt uden CE-mærkning
  - Ethvert produkt, som har været udsat for forsøg på reparation af en uautoriseret fagmand eller uden accept fra Techtronic Industries
  - Ethvert produkt, der har været sluttet til forkert strømforsyning (ampere, spænding, frekvens)
  - Ethvert produkt, der har været anvendt med forkert brændstofblanding (brændstof, olie, olieforhold)
  - Enhver skade, der skyldes udefra kommende påvirkninger (kemisk, fysisk, stød) eller fremmedlegemer
  - Normal slitage på reservedele
  - Forkert anvendelse, overbelastning af produktet
  - Brug af ikke-godkendt tilbehør eller (reserve)dele
  - Karburator efter 6 måneder, karburatorjusteringer efter 6 måneder
  - komponenter (dele og tilbehør), der har været udsat for naturlig slitage, inklusive, men ikke begrænset til, afstandsknopper, drivremme, kobling, klinger på hækkeklippere eller plæneklippere, seler, gaskabel, kulbørster, strømforsyningskabel, knive, filtknive, låsestifte, blæseventilatorer, blæse- og indsuigningsrør, sugepose og stropper, styresværd, savkæder, slanger, tilslutningsfittings, sprøjtedyser, hjul, sprøjtestave, indvendige hjul, udvendige spoler, skæretråd, tændrør, luftfilter, gasfilter, bioklip-klinger, mv.
- Til servicering skal produktet indleveres til eller forevises et autoriseret RYOBI serviceværksted for det pågældende land. I nogle lande vil din lokale RYOBI-forhandler sende produktet til RYOBI's serviceorganisation. Når et produkt indleveres til et RYOBI serviceværksted, skal det emballeres forsvarligt uden farligt indhold (som f.eks. benzin), være forsynet med afsenderadresse og ledsaget af en kort beskrivelse af fejlen.
- Reparation/udskifning i henhold til denne garanti er gratis. Den medfører ikke forlængelse eller ny start af garantiperioden. Udskiftede dele eller værktøjer overgår til vores ejendom. I nogle lande skal leveringsomkostninger eller porto betales af afsenderen.
- Denne garanti er gyldig i EU, Schweiz, Island, Norge, Liechtenstein, Tyrkiet og Rusland. Uden for disse områder bedes man venligst kontakte sin autoriserede RYOBI-forhandler for at få opklaret, om evt. andre garantier er gældende.

### AUTORISERED E SERVICE/ÆRKSTEDER

Find nærmeste autoriserede serviceværksted på <http://dk.ryobitools.eu/header/service-and-support/service-agents>.

## SV GARANTI

Förutom de lagstadgade rättigheter som följer köpet omfattas denna produkt av en garanti som anges nedan.

- Garantitiden är 24 månader för konsumenter och börjar den dag då produkten köptes. Detta datum måste kunna dokumenteras av en faktura eller annat inköpsbevis. Produkten är utformad och avsedd för konsumenter och ska endast användas för privat bruk. Det innebär att ingen garanti lämnas vid yrkesmässig eller kommersiell användning.
- I vissa fall (t.ex. marknadsföring, sortiment av verktyg), finns det en möjlighet att förlänga garantitiden under den period som beskrivs ovan genom registrering på hemsidan [www.ryobitools.eu](http://www.ryobitools.eu). De verktyg det gäller för framgår tydligt i butikler och/eller på förpackningen. Slut användaren måste registrera sitt nyinköpta verktyg på nätet inom 8 dagar från inköpsdatum. Slut användaren kan registrera sig för den utökade garantitiden i sitt hemland om det framgår på registreringsformuläret online där detta alternativ är giltigt. Dessutom måste slut användarna ge sitt samtycke till lagring av de uppgifter som krävs för att komma in på nätet och de måste godkänna villkoren. Registreringens mottagningsbevis som skickas ut via e-post och den ursprungliga fakturan som visar inköpsdatum fungerar som bevis på förlängd garantitid. Dina lagstadgade rättigheter påverkas inte.
- Garantin täcker alla fel på produkten under garantitiden som beror på fel i utförande eller material vid inköpsdatumet. Garantin är begränsad till reparation och/eller utbyte och inkluderar inte några andra åtaganden, inklusive men inte begränsat till oförutsedda skador eller följdskador. Garantin gäller inte om produkten har använts på fel sätt, använts på ett sätt som inte följer användarhandboken eller som har anslutits på ett felaktigt sätt. Denna garanti gäller inte för:
  - skador på produkten som beror på felaktigt underhåll
  - om produkten har ändrats eller modifierats
  - en produkt där den ursprungliga identifieringen (varumärke, serienummer) har förstörts, ändrats eller tagits bort
  - skador som orsakas av att användarhandboken inte har följts
  - alla produkter som inte följer CE-bestämmelser
  - en produkt som en icke-kvalificerad yrkesperson eller en person som inte har behörighet från Technronic Industries har försökt att reparera
  - en produkt som ansluts till eluttaget (ampere, spänning, frekvens) på fel sätt
  - en produkt som används med olämplig bränsleblandning (bränsle, olja, procent av olja)
  - skador som orsakas av yttre påverkan (kemiska, fysikaliska, stötar) eller främmande ämnen
  - normalt slitage av reservdelar
  - felaktig användning, överbelastning av verktyget
  - användning av icke-godkända tillbehör eller delar
  - förgasare efter 6 månader, justering av förgasare efter 6 månader
  - komponenter (delar och tillbehör) med förbehåll för normalt slitage, inklusive men inte begränsat till stötknappar, drivremmar, koppling, blad av häcksaxar eller gräsklippare, sele, kabelhållare, kolborstar, nätkabel, pinnar, filtbrickor, hitchkopplingar, blåsfåtkar, fläkt- och vakuurmör, vakuumväska och remmar, ledskenor, sågkedjor, slangar, anslutningar, sprutmunstycken, hjul, sprayanordningar, inre spolar, yttre spolar, skärande linjer, tändstift, luftfilter, gasfilter, marktäckningsblad, osv.
- För service, måste produkten skickas eller presenteras till en RYOBI-godkänd servicestation som anges för varje land i följande lista med adresser. I vissa länder ombesörjer den lokala RYOBI-återförsäljaren att skicka produkten till RYOBI-serviceorganisationen. När en produkt skickas till en RYOBI-servicestation, ska produkten förpackas på ett säkert sätt utan farligt innehåll som bensin, märkt med avsändarens adress tillsammans med en kort som beskriver felet.
- En reparation/utbyte som sker under denna garanti är gratis. Den utgör inte en förlängning eller en ny start på garantitiden. Utbys delar eller verktyg blir vår egendom. I vissa länder måste leveranskostnader eller porto betalas av avsändaren.
- Denna garanti gäller i EU, Schweiz, Island, Norge, Liechtenstein, Turkiet och Ryssland. Utanför dessa områden ska du kontakta din auktoriserade RYOBI-återförsäljare för att avgöra om en annan garanti gäller.

## AUKTORISERAT SERVICECENTER

Du hittar närmaste auktoriserade servicecenter genom att gå till <http://uk.ryobitools.eu/header/service-and-support/service-agents>.

## FI TAKUU

Hankinnasta kuitioivien laillisten oikeuksien lisäksi tätä tuotetta hallitsee alla kuvattu takuu.

- Takuukausi on 24 kuukautta kuluttajille ja alkaa tuotteen ostopäivästä. Tämän päivän on oltava merkitty kuittiin tai muuhen todisteseen hankinnasta. Tämä tuote on suunniteltu ja tarkoitettu ainoastaan kuluttajien yksityiskäyttöön. Ammatti- ja kaupalliseen käyttöön ei näin ollen ole takuuta.
- Joissain tapauksissa (kuten tarjous, laitesarjat) takuukautta voidaan pidentää kuvattua kautta pidemmäksi rekisteröimällä tuote osoitteessa [www.ryobitools.eu](http://www.ryobitools.eu). Takuun pidentymismahdollisuus ilmoitetaan selkeästi kaupassa jätai pakkauksessa. Loppukäyttäjän on rekisteröitävä uusi laitteensa online 8 päivän sisällä sen hankkimisesta. Loppukäyttäjän voi rekisteröityä saadakseen jatkettun takuun asuinmaassaan, jos se mainitaan online-rekisteröintilomakkeessa. Lisäksi, loppukäyttäjän on annettava suostumuksensa tallentaa syötetyt tiedot online, ja hänen on hyväksyttävä ehdot. Sähköpostitse lähetettävä rekisteröintivahvistus ja alkuuperäinen kuitti, josta ilmenee hankintapäivä, toimivat todistena takuun jatkamisesta. Lailliset oikeudet eivät muutu.
- Takuu kattaa takuukauteen kaikki tuotteen viat, jotka johtuvat valmistus- tai materiaaliavista hankintapäivänä. Takuu rajoittuu korjaukseen ja/ tai vaihtoon eikä sisällä mitään muita velvoitteita, mukaan lukien mm. satunnaiset ja seuraamukselliset vauriot. Takuu ei ole voimassa, jos tuotetta on väärinkäytetty tai käytetty käyttöoppaan vastaisesti tai se on kytketty virheellisesti. Takuu ei kata seuraavia:
  - tuotteelle koituneet vahingot, jotka johtuvat virheellisestä ylläpidosta
  - tuote, jota on muunneltu
  - tuote, jossa alkuuperäiset tunnisteen (tavaramerkki, sarjanumero) ovat turmeltuneet tai niitä on muutettu tai ne on poistettu
  - käyttöoppaan laiminlyönnistä johtuvat vauriot
  - ei-EC-tuotteet
  - tuotteet, jolla on yrittänyt korjata ei-pätevä asentaja tai jonka korjaukselle ei ole saatu Technronic Industriesiltä hyväksyntää etukäteen
  - tuotteet, jotka on kytketty vääränlaiseen virtalähteeseen (virta, jännite, taajuus)
  - tuote, jossa on käytetty virheellistä polttoaineseosta (polttoaine, öljy, öhlyn osuus)
  - vauriot, jotka johtuvat ulkoisista syistä (kemikaalit, fyysiset tekijät, iskut) tai vieraista aineista
  - normaalit varaosien kuluminen
  - virheellinen käyttö, laitteen ylikuormitus
  - muiden kuin hyväksytyjen lisävarusteiden ja osien käyttö
  - kaasutin 6 kuukauden jälkeen, kaasuttimen säätö 6 kuukauden jälkeen
  - komponentit (osat ja lisävarusteet), joihin kohdistuu luonnollista kulumista, mukaan lukien mm. napautusnupit, vetohihnat, kytin, pensastrimmeriden ja ruohonleikkurien terät, valjaat, kaapelikaasutin, hiilijarhat, virtajohto, piikit, huopavälilevyt, sokat, puhallimet, puhallin- ja imuputket, polynimurin pussit ja hihnat, terälevyt, teräketjut, letkut, liittimet, suuttimet, pyörät, suihkuputket, sisäkelat, ulkoiset kelat, leikkusuimat, syytystulpat, ilmansuodattimet, polttoainesuodattimet, silppuriterät jne.
- Huollon saaminen edellyttää, että tämä tuote lähetetään tai viedään RYOBI:n valtuuttamaan huoltoon, jotka luetaan maittain seuraavassa huoltojen osoiteluettelossa. Joissain maissa paikallinen RYOBI-jälleenmyyjä hoitaa tuotteen lähettämisen RYOBI-huoltoon. Kun tuote lähetetään RYOBI-huoltoon, se on pakattava turvallisesti ilman mitään vaarallista sisältöä, kuten bensiniä, siihen on merkittävä lähettäjän osoite ja sen mukana on lähetettävä vian kuvaus.
- Tämän takuun puitteissa tapahtuva korjaaminen/vaihto on ilmaista. Se ei merkitse takuujakson jatkamista tai uuden kauden alkua. Vaihdetuista osista ja laitteista tulee meidän omaisuuttamme. Joissain maissa lähettäjän on maksettava toimituskulut tai postimaksu.
- Tämä takuu on voimassa Euroopan Yhteisössä, Sveitsissä, Islannissa, Norjassa, Liechtensteinissa, Turkissa ja Venäjällä. Jos olet näiden alueiden ulkopuolella, ota yhteys valtuutettuun RYOBI-jälleenmyyjään, joka voi kertoa, onko joku muu takuu voimassa.

## VALTUUTETTU HUOLTO

Valtuutettua huoltoa varten etsi lähimmän valtuutetun huollon sivulta <http://fi.ryobitools.eu/header/service-and-support/service-agents>.

## NO GARANTI

I tillegg til enhver lovbestemt rettighet som følge av dette kjøpet er dette produktet dekket av en garanti som beskrevet nedenfor.

- Garantitiden er 24 måneder for forbrukere, og starter på produktets kjøpsdato. Denne datoen må dokumenteres av faktura eller annet kjøpsbevis. Produktet er konstruert og beregnet på forbrukere og kun privat bruk. Det gis ingen garanti ved profesjonell eller kommersiell bruk.
- Det er, i noen tilfeller, (dvs. markedsføring, serie av verktøy), mulig å utvide garantien ut over den perioden som er nevnt ovenfor ved bruk av registrering på nettstedet [www.ryobitools.eu/Verktoysgarantiberegtigelse](http://www.ryobitools.eu/Verktoysgarantiberegtigelse) vises klart i butikkene og/eller på emballasjen. Sluttbruker må registrere sitt nylig innkjøpte verktøy på nettet innen 8 dager etter kjøpsdatoen. Sluttbruker kan registrere seg for utvidet garanti i det landet hvor vedkommende bor hvis dette landet er ført opp på nettregistreringsskjemaet hvor dette alternativet er gyldig. Sluttbruker må også gi sin tillatelse til lagring av de data som er påkrevet å registrere på nettet, og må akseptere vilkår og betingelser. Registreringsbekrefnelsen, som sendes som epost, og den originale kvitteringen som viser kjøpsdatoen, vil gjelde som bevis på den utvidede garantien. Dine lovbestemte rettigheter vil fortsatt gjelde.
- Garantien gjelder alle defekter på produktet i garantitiden som følge av feil på arbeid eller materialer på kjøpsdatoen. Garantien er begrenset til reparasjon og/eller utskifting av produktet, og inkluderer ingen annen forpliktelse, inklusive men ikke begrenset til tilfældige eller direkte eller indirekte følgeskader. Garantien gjelder ikke dersom produktet er misbrukt, brukt i strid med brukermanualens instruksjoner eller vært feilaktig tilkoblet. Denne garantien gjelder ikke:
  - enhver skade på produktet som følge av utilstrekkelig vedlikehold
  - et produkt som er endret eller modifisert
  - ethvert produkt hvor original identifikasjonsmerke (varemerke, serienummer) er tildekket, endret eller fjernet
  - enhver skade som følge av at instruksjoner i brukermanualen ikke er fulgt
  - ethvert ikke-CE-produkt
  - ethvert produkt som er forsøkt reparert av en ukvalifisert person, eller uten forutgående tillatelse av Techtron Industries
  - ethvert produkt som er tilkoblet uriktig strømkilde (ampere, spenning, frekvens)
  - ethvert produkt som er brukt med feil drivstoffblanding (drivstoff, olje, prosentvis andel olje)
  - enhver skade forårsaket av eksterne påvirkninger (kjemiske, fysiske eller slag) eller fremmede substanser
  - normal slitasje på reservedeler
  - feilaktig bruk, overbelastning av verktøyet
  - bruk av ikke godkjent tilbehør eller reservedeler
  - forgasser etter 6 måneder, forgasserjusteringer etter 6 måneder
  - komponenter (deler og tilbehør) gjenstand for naturlig slitasje, inklusive men ikke begrenset til dunkeknotter, drivreimer, clutch, kniver på hekklippere eller gressklippere, seler, gasswire, karbonborster, elektriske ledninger, tenner, filtpakninger, skaftpinner, blåseviser, blåse- og sugeslangar, oppsamlingsposer, motorsagsverd, sagkjeder, slanger, tilkoblingsdeler, spraytedyser, hjul, spraytestaver, innvendige ruller, utvendige spoler, klippesnorer, tennplugger, luftfiltere, gassfiltere, oppkappingsblader, etc.
- For ettersyn og reparasjoner må produktet leveres til et RYOBI-autorisert servicesenter ført opp for det enkelte land i følgende liste av servicesentersadresser. I noen land vil din lokale RYOBI-forhandler sørge for å sende produktet til RYOBI's serviceorganisasjon. Når et produkt sendes til en RYOBI servicesentersom må produktet være forsvarlig emballert uten farlig innhold som bensin, merket med senders navn og adresse og medsendt en kort beskrivelse av feilen.
- En reparasjon/utskifting i henhold til denne garantien er gratis. Den representerer ikke en forlengelse av garantiperioden eller en ny start på garantiperioden. Utskiftede deler eller verktøy blir vår eiendom. I noen land vil leveringskostnader eller porto måtte betales av sender.
- Denne garantien er gyldig i EU, Sveits, Island, Norge, Liechtenstein, Tyrkia og Russland. Utenfor disse områdene ber vi om at du kontakter en autorisert Ryobi-forhandler for å finne ut om en annen garanti gjelder.

## AUTORISERT SERVICESENTER

For å finne et autorisert servicesenter i nærheten, gå til <http://no.ryobitools.eu/header/service-and-support/service-agents>.

## RU ГАРАНТИЯ

В дополнение к законным правам, вытекающим из факта покупки, на данный продукт распространяются следующие гарантийные обязательства.

- Гарантийный период составляет 24 месяца для покупателей и начинается с даты приобретения продукта. Дата приобретения подтверждается документально товарным чеком или другим доказательством покупки. Данный продукт предназначен для использования только в личных целях. Гарантия не предоставляется в случае профессионального или коммерческого использования данного продукта.
- В некоторых случаях (например, при продвижении продукта, приобретении некоторых видов инструментов) возможно продление гарантийного срока при регистрации продукта на веб-сайте [www.ryobitools.eu](http://www.ryobitools.eu). Применительно к продукту разъясняется в магазинах при продаже и/или на упаковке продукта. Конечному пользователю следует зарегистрировать вновь приобретенный инструмент через Интернет в течение 8 дней с даты покупки. Конечный пользователь может зарегистрировать продукт для получения расширенной гарантии в стране проживания, если данная возможность предоставляется интернет-формой регистрации. Также, конечный пользователь должен дать свое согласие на хранение данных, требуемых при заполнении формы через Интернет, и принять условия соглашения. Уведомление о подтверждении регистрации, отправляемое по электронной почте, и оригинальный товарный чек с датой покупки служат доказательством расширенной гарантии. Законные права потребителя при этом остаются в силе.
- Данная гарантия распространяется на все дефекты продукта, связанные с производственным браком или браком материалов в момент приобретения, в течение гарантийного периода. Данная гарантия ограничивается ремонтом и/или заменой и не включает другие обязательства, в том числе, связанные с побочным или косвенным ущербом. Гарантия недействительна в случае ненадлежащего использования, использования с нарушением инструкций руководства по эксплуатации или неправильного подключения продукта. Гарантия недействительна, если:
  - повреждение продукта вызвано ненадлежащим техническим обслуживанием
  - продукт подвергся изменениям или был модифицирован
  - оригинальная маркировка (товарный знак, заводской номер) неудобночитаема, изменена или удалена
  - повреждение вызвано несоблюдением инструкций данного руководства
  - отсутствует маркировка CE
  - была попытка отремонтировать продукт неквалифицированным лицом или без предварительного согласования с компанией Techtron Industries
  - продукт подключался к ненадлежащему источнику питания (ненадлежащая сила тока, напряжение, частота)
  - продукт использовался с недопустимой топливной смесью (топливо, масло, процент содержания масла)
  - повреждение вызвано внешним воздействием (химические, физические, удары) или посторонними веществами
  - это связано с нормальным износом заменяемых деталей
  - это связано с ненадлежащим использованием, перегрузкой инструмента
  - это связано с использованием нереккомендованных принадлежностей или деталей
  - карбюратор использовался свыше 6 месяцев, регулировка карбюратора после 6 месяцев
  - компоненты (детали и принадлежности) подверженные естественному износу, в том числе, коллчани, приводные ремни, муфта, режущие полотна шапалерных ножиц или газонокосилок, крепежные ремни, тросик дроссельной заслонки, угольные щетки, кабель питания, фрезы, фетровые прокладки, шпильки, крыльчатки, выпускные и всасывающие трубки, мешок для мусора и решетки, пыльные шины, пыльные щели, шланги, соединительные фитинги, распылительные насадки, колеса, распылители, внутренние бобины, внешние бобины, режущие струны, свечи зажигания, воздушные фильтры, газовые фильтры, механизмы для мульчирования и т.п.
- Для проведения технического обслуживания продукт следует представить в официальный центр технического обслуживания компании RYOBI в соответствии со списком по каждой стране. В некоторых странах дилерам компании RYOBI требуется пересылка продукта в соответствующий сервисный центр компании RYOBI. При отправке продукта в центр технического обслуживания RYOBI, продукт следует упаковать надлежащим образом без содержания любых опасных веществ (таких как бензин) с указанием адреса отправителя и кратким описанием неисправности.
- Ремонт/замена продукта по условиям данной гарантии осуществляются бесплатно. В данном случае не предусмотрено продление срока гарантии или начало нового гарантийного периода. Заменяемые детали или инструмент становятся собственностью компании. В некоторых странах оплата доставки и почтовые расходы ложатся на отправителя.
- Данная гарантия действительна в странах ЕС, Швейцарии, Исландии, Норвегии, Лихтенштейне, Турции и России. Для получения информации о применении данной гарантии в других регионах обращайтесь к официальному дилеру компании RYOBI.

## УПОЛНОМОЧЕННЫЙ СЕРВИСНЫЙ ЦЕНТР

Чтобы найти ближайший уполномоченный сервисный центр, обратитесь к веб-сайту <http://uk.ryobitools.eu/header/service-and-support/service-agents>.



## PL GWARANCJA

Oprócz wszelkich praw ustawowych wynikających z zakupu, ten produkt jest objęty gwarancją jak podano poniżej.

- Okres gwarancji wynosi 24 miesiące dla konsumentów i rozpoczyna się w dniu, w którym produkt został zakupiony. Ta data musi być udokumentowana przez fakturę lub inny dowód zakupu. Produkt został zaprojektowany i jest przeznaczony wyłącznie do użytku konsumenckiego i prywatnego. W związku z tym gwarancja nie jest udzielana w przypadku zastosowań profesjonalnych i komercyjnych.
- Nie ma, w niektórych przypadkach (promocja tj. zakres narzędzi), możliwość przedłużenia okresu gwarancji w okresie opisanym powyżej przy rejestracji na stronie internetowej [www.ryobitools.eu](http://www.ryobitools.eu). Kwalifikowalność narzędzia jest wyraźnie określona w sklepach oraz/lub na opakowaniu. Użytkownik końcowy musi zarejestrować swoje nowo zakupione narzędzia online w ciągu 8 dni od daty zakupu. Użytkownik końcowy może zarejestrować się w celu rozszerzenia gwarancji w swoim kraju zamieszkania, jeśli jest on wymieniony w formularzu rejestracji online, kiedy ta opcja jest ważna. Ponadto użytkownicy końcowi muszą wyrazić zgodę na przechowywanie danych, które są wymagane do zalogowania online oraz muszą zaakceptować regulamin. Otrzymanie potwierdzenia rejestracji, które jest wysyłane na adres e-mail oraz oryginalna faktura z podaną datą zakupu będą służyć jako dowód przedłużonej gwarancji. Twoje prawa ustawowe pozostają nienaruszone.
- Gwarancja obejmuje wszystkie wady produktu w okresie gwarancyjnym, spowodowane usterkami w wykonaniu lub materiale w chwili nabycia. Gwarancja jest ograniczona do naprawy oraz/lub wymiany i nie obejmuje żadnych innych obowiązków w tym m.in. odpowiedzialności za szkody przypadkowe lub wtórne. Gwarancja nie jest ważna, jeśli produkt był użytkowany w niewłaściwy sposób, był wykorzystywany w sposób niezgodny z instrukcją obsługi lub był nieprawidłowo podłączony. Ta gwarancja nie obejmuje:
  - uszkodzenia produktu, które jest wynikiem nieprawidłowej konserwacji
  - produktu, który został przerobiony lub zmodyfikowany
  - produktu, w którym zniekształcono, zmieniono lub usunęto oryginalne oznaczenia (nazwę handlową, numer seryjny)
  - uszkodzeń spowodowanych nieprzebraniem instrukcji obsługi
  - produktu bez certyfikatu CE
  - produktu, który był naprawiany przez niewykwalifikowaną osobę lub bez uprzedniej autoryzacji firmy Techtronic Industries
  - produktu podłączonego do nieprawidłowego źródła zasilania (napięcie, napięcie, czystość)
  - produktu używanego z nieprawidłową mieszanką paliwa (paliwo, olej, zawartość procentowa oleju)
  - uszkodzeń spowodowanych przez czynniki zewnętrzne (chemiczne, fizyczne, uderzenia) lub obce substancje
  - normalnego zużycia części zamiennych
  - niewłaściwego użytkowania, przecięcia narzędzia
  - stosowania niezatwierdzonych akcesoriów lub części
  - gaźnika po 6 miesiącach, regulacji gaźnika po 6 miesiącach
  - elementów (części i akcesoriów) podlegających naturalnemu zużyciu, m.in. gałek odbojnikowych, pasów napędowych, sprężel, ostrej nożyc do żywoptłów lub kosiariek, uprząży, przepustnicy, szczołek węglowych, przewodu zasilającego, zębów, podkładek filcowych, sworzni zaczepu, wentylatorów dmuchawy, przewodów dmuchawy i podciśnieniowych, worków próżniowych i pasków, prowadnic, łańcuchów pilarki, przewodów, mocowań złączy, dyszy rozpylających, kółek, lancy rozpylających kat., dmuchawy, dmuchawy i nury próżniowe, torebki próżniowe i paski, prowadnice, bębnow wewnętrznych, szpulki zewnętrznych, żyłki tnącej, świec zapłonowych, filtrów powietrza, filtrów gazu, ostrej do ściółkowania itp.
- W celu serwisowania produkt należy wysłać lub okazać w autoryzowanym centrum serwisowym RYOBI wymienionym dla każdego kraju na poniższej liście adresów stacji serwisowych. W niektórych krajach lokalny dealer firmy RYOBI zobowiązuje się wysłać produkt do centrum serwisowego firmy RYOBI. W przypadku wysyłki produktu do centrum serwisowego RYOBI, produkt należy dobrze zapakować, bez umieszczenia żadnych niebezpiecznych rzeczy, tj. paliwa i oznaczyć adresem nadawcy oraz krótkim opisem usterki.
- Naprawa/wymiana w ramach tej gwarancji jest bezpłatna. Nie stanowi to przedłużenia lub nowego rozporządzenia okresu gwarancji. Wymieniane części lub narzędzia stają się naszą własnością. W niektórych krajach koszty wysyłki lub pocztowe będą musiały być opłacone przez nadawcę.
- Ta gwarancja obowiązuje na terytorium Wspólnoty Europejskiej, Szwajcarii, Islandii, Norwegii, Liechtenstein, Turcji i Rosji. Poza tymi obszarami należy skontaktować się z autoryzowanym dealerem RYOBI aby sprawdzić, czy dostępna jest jeszcze inna gwarancja.

## AUTORYZOWANY PUNKT SERWISOWY

Najbliższy autoryzowany punkt serwisowy można wyszukać w witrynie internetowej <http://uk.ryobitools.eu/header/service-and-support/service-agents>.

## CS ZÁRUKA

Navíc k zákonným právam, které vznikají nákupem, je k výrobku poskytována záruka.

- Záruka je období 24 měsíců pro spotřebitele a začíná běžet datem nákupu produktu. Toto datum musí být zadokumentováno fakturou nebo jiným důkazem o koupi. Tento výrobek je určen a vyhrazen jen pro domácí a soukromé používání. Záruka se tedy nepoužije pro profesionální ani komerční používání.
- Existuje, v některých případech (tj. propagace, určité nástroje), možnost prodloužení doby záruky nad výše uvedené období pomocí registrace na stránkách [www.ryobitools.eu](http://www.ryobitools.eu). Vhodnost nástroje je jasně vyobrazena v prodejních a/nebo na obalu. Koncový uživatel musí zaregistrovat své nově pořízené nástroje online během 8 dní od data nákupu. Koncový uživatel se může zaregistrovat k prodloužení doby záruky v zemi jeho trvalého bydliště, pokud je uvedeno v online registračním formuláři, kde je tato možnost platná. Navíc musí koncový uživatel poskytnout souhlas s uchováním údajů, které jsou zapotřebí do online registru a musí přijmout podmínky smlouvy. Přijetí potvrzení o registraci, odeslané e-mailem, a originální faktura udávající datum nákupu slouží jako důkaz prodloužené záruky. Vaše zákonná práva zůstávají nedotčena.
- Záruka pokrývá veškeré vady produktu během záruky způsobené vadami při zpracování nebo v materiálu v době nákupu. Záruka se omezuje na opravu a/nebo výměnu a nezahrnuje žádné jiné závazky včetně, ale ne omezené na související nebo následné škody. Záruka neplatí, pokud, pokud se produkt nesprávně používal, používal v rozporu s návodem nebo byl nesprávně zapojen. Záruka nelze uplatnit v následujících případech:
  - jakákoliv škoda na výrobku v důsledku nesprávné údržby
  - jakýkoliv výrobek byl pozměněn či modifikován
  - jakýkoliv výrobek, kde byly původní identifikační značky (obchodní značka, výrobní číslo) odstraněny, pozměněny či modifikovány
  - jakákoliv škoda způsobená nedodržováním návodu k obsluze
  - výrobek nemá značku CE
  - každý výrobek, kde došlo k pokusu jej opravit nekvalifikovanou osobou nebo bez předchozího souhlasu společnosti Techtronic Industries
  - každý výrobek byl připojen nesprávnému napájení (proud, napětí, frekvence)
  - každý výrobek, který se používal s nesprávnou palivovou směsí (palivo, olej, podíl oleje)
  - veškeré škody byly způsobeny externími vlivy (chemické, fyzické, nárazy) či cizími látkami
  - běžné opotřebení a spotřební náhradní díly
  - nevhodné používání, přetěžování nástroje
  - použití neschválených doplňků nebo dílů
  - karburátor po 6 měsících, seřízení karburátoru po 6 měsících
  - komponenty (díly a doplňky) podléhající běžnému opotřebení, včetně, ale ne omezené, nárazových tlačítek, hnacích řemenů, spojky, nožů plotostříhu či sekaček trávy, postroje, lanka škrtící klapky, uhlikových kartáčů, napájecího kabelu, plechů, plstěných podložek, závlaček, ventilátorů fukaru, hadic fukaru a vysavače, vaku vysavače a popruhu, vodičích lišt, pilových řetězů, hadic, spojovacích tvarovek, rozprašovačích trysek, kol, stříkaček trubice, vnitřních, vnějších cívek, sekacích strun, zapalovačích svíček, vzduchových filtrů, spalňových filtrů, umíčovacích nožů atd.
- Pro servis výrobku je třeba zaslat nebo předložit pověřenému servisnímu středisku RYOBI dle seznamu adres servisních středisek. V některých zemích váš místní prodejce RYOBI provádí odeslání výrobku servisní organizaci RYOBI. Při zasílání výrobku servisnímu středisku RYOBI by se měl výrobek bezpečně zabalit bez nebezpečného obsahu jako benzin, označit adresu odesílatele a přiložit list krátkým popisem vady.
- Oprava/výměna během záruky je bezplatná. Neznamená prodloužení ani začátek nového záručního období. Vyměněné díly či nástroje se stávají naším vlastnictvím. V některých zemích doručení či poštovné platí odesílatele.
- Záruka je platná v Evropské unii, Švýcarsku, Islandu, Norsku, Lichtenštejnsku, Turecku a Rusku. U ostatních oblastí prosím kontaktujte pověřeného prodejce RYOBI pro upřesnění, zda platí jiná záruka.

## POVĚŘENÉ SERVISNÍ STŘEDISKO

Pro natezení nejbližšího pověřeného servisního střediska navštivte <http://uk.ryobitools.eu/header/service-and-support/service-agents>.

## HU GARANCIA

A vásárlással összefüggő esetleges törvény adta jogok mellett a termékre az alábbiakban részletezett garancia vonatkozik.

1. A garancia időtartama a fogyasztók számára 24 hónap, ami a termék megvásárlásának napjától számítódik. Ezt a dátumot számlával vagy a vásárlást igazoló más dokumentummal kell igazolni. A terméket kizárólag a vevő által, személyes célokra való használatra tervezték és készítették. Ezért a garancia nem vonatkozik a profik általi vagy üzleti célokra való használatra.
2. Egyes esetekben (pl. promóció, bizonyos termékcsaládok) lehetőség van a garancia időtartamának a fent leírt garanciaperióduson túli meghosszabbítására a [www.ryobitools.eu](http://www.ryobitools.eu) webhelyen történő regisztrációval. Az, hogy egy adott gép jogosult-e erre, egyértelműen fel van tüntetve a boltokban és/vagy a csomagoláson. A végfelhasználónak a vásárlás napjától számított 8 napon belül regisztrálnia kell az újonnan beszerzett gépet. A végfelhasználó a kiterjesztett garanciáért a lakóhelye szerinti országban regisztrálhat, ha az szerepel az online regisztrációs űrlapon. Emellett a végfelhasználónak hozzá kell járulnia az online belépéshez szükséges adatai tárolásához és el kell fogadnia a szerződési feltételeket. A regisztráció e-mailesben küldött visszaigazolása, valamint a vásárlást igazoló eredeti számla szolgálják a kiterjesztett garancia érvényesítésére. A törvény adta jogai nem sérülnek.
3. A garancia a garancia időtartama alatt a termék összes olyan hibájára kiterjed, amelyek a vásárlás napján is fennálló gyártási vagy anyaghiba miatt következnek be. A garancia javításra és/vagy cserére korlátozódik, és nem tartalmaz további kötelezettséget, beleértve, de nem kizárólag a véletlenszerű vagy következetes károkra vonatkozó kötelezettségeket sem. A garancia nem érvényes a termék helytelen használatra, a használati utasításban leírtakkal ellentétes használatra vagy hibás csatlakoztatás esetén. A garancia nem vonatkozik a következőkre:
  - a termék helytelen karbantartásból eredő esetleges károsodásokra
  - átalakított vagy módosított termékekre
  - olyan termékre, melyen az eredeti azonosító jelöléseket (védjegy, sorozatszám) megrongálták, átalakították vagy eltávolították
  - a használati utasítás be nem tartásával összefüggő károkra
  - a CE minősítéssel nem rendelkező termékre
  - a nem képzett szakember által vagy a Technronic Industries előzetes jóváhagyása nélküli javított termékre
  - a nem megfelelő tápforrásokhoz (áramerősség, feszültség, frekvencia) csatlakoztatott termékre
  - a nem megfelelő üzemanyag-keverékkel (üzemanyag, olaj, olajárány) használt termékre
  - külső hatások (vegyi, fizikai, ütés) vagy idegen anyagok által okozott károsodásokra
  - a cserealkatrészek normál kopására és elhasználódására
  - helytelen használatra, a szerszám túlterhelésére
  - nem jóváhagyott tartozékok vagy alkatrészek használatára
  - a karburátorra 6 hónap elteltével, a karburátor beállításaira 6 hónap elteltével
  - Természetes elhasználódásnak és kopásnak kitett összetevőkre (alkatrészek és tartozékok), beleértve de nem kizárólag az ütközőgombokra, hajtószíjakra, tengelykapcsolóra, sóvényvágó vagy fűnyíró kecséire, vezetékkecsékre, gázkábelekre, szénkefékre, tápkábeleire, kapákra, nemez alátétkarikákra, sasszegekre, fűvágó ventilátoraira, fűvő és vákuumszívókra, szívószálókra és szíjakra, láncvezetőkre, fűrészláncokra, tömlőkre, csatlakozókra, szórófejekre, kerekre, lándsákra, belső orsókra, külső orsókra, vágószálakra, gyújtógyertyákra, légszűrőkre, üzemanyagszűrőkre, tömörítő kapákra stb.
4. A szervizeléshez a terméket el kell küldeni vagy be kell mutatni valamelyik hivatalos RYOBI szervizközpontban, melyek elérhetősége az egyes országokban az alábbiakban van megadva. Egyes országokban a RYOBI kereskedő vállalja, hogy elküldi a terméket a RYOBI szervizbe. A terméknek a RYOBI szervizeltetésére való küldésekor a terméket biztonságosan be kell csomagolni, mindenféle veszélyes anyagot, pl. üzemanyagot el kell távolítani belőle, meg kell adni a feladó címét és a hiba rövid leírását.
5. A garancia keretében végzett javítás/cseréje ingyenes. Ugyanakkor ez nem jelenti a garancia időtartamának kiterjesztését vagy új garanciaperiódus kezdetét. A kicserélt alkatrészek vagy szerszámok a mi tulajdonunkban maradnak. Egyes országokban a szállítási vagy a postaköltségeket a feladó fizeti.
6. Ez a garancia az Európai Közösségekben, Svájcban, Izlandon, Norvégiában, Liechtensteinben, Törökországban és Oroszországban érvényes. Ezen területeken kívül az érvényes garancia-feltételeket illetően lépjen kapcsolatba a hivatalos RYOBI forgalmazóval.

## HIVATALOS SZERVIZKÖZPONT

A legközelebbi hivatalos szervizközpont megtalálásához látogasson el a <http://uk.ryobitools.eu/header/service-and-support/service-agents>.

## RO GARANTIE

În plus față de alte drepturi statutare rezultând din achiziție, produsul este acoperit de o garanție ca cea menționată mai jos.

1. Perioada de garanție este de 24 de luni pentru consumatori și începe de la data la care produsul a fost achiziționat. Această dată trebuie să fie dovedită de o factură sau altă dovadă de cumpărare. Produsul este proiectat și dedicat pentru consumatori și doar pentru uz privat. Ca urmare nu există nicio garanție asigurată în caz de folosire profesională sau comercială.
2. Există, în anumite cazuri (de ex. promoții, game de produse) o posibilitate de a prelungi perioada de garanție peste perioada descrisă mai sus folosind înregistrarea pe site-ul [www.ryobitools.eu](http://www.ryobitools.eu). Eligibilitatea aparatului este afișată clar în magazine și/sau ambalaj. Utilizatorul final se poate înregistra pentru o garanție extinsă în țara sa de reședință dacă e listată pe formularul de înregistrare online acolo unde opțiunea este validă. Mai mult, utilizatorii finali trebuie să-și dea consimțământul cu privire la păstrarea datelor ce sunt cerute a fi introduse online și trebuie să accepte termenii și condițiile. Notificarea de confirmare a înregistrării, ce este trimisă prin email, și factura originală ce arată data achiziționării vor servi ca dovadă a garanției extinse. Drepturile dvs. statutare rămând neafectate.
3. Garanția acoperă toate defectele produsului în timpul perioadei de garanție cauzate de defecte din procesul de producție sau ale materialului la data achiziționării. Garanția este limitată la reparație și/sau înlocuire și nu include alte obligații incluzând dar nelimitându-se la pagube incidentale sau secundare. Garanția nu este validă dacă produsul a fost folosit greșit, folosit contrar instrucțiunilor din manual sau a fost conectat incorect. Această garanție nu se aplică la:
  - orice defecțiune a produsului ca rezultat a întreținerii necorespunzătoare
  - orice produs ce a fost schimbat sau modificat
  - orice produs unde marcajul original de identificare (marcă comercială, număr serie) a fost deteriorat, schimbat sau modificat
  - orice defecțiune cauzată de nerespectarea manualului de instrucțiuni
  - orice produs non CE
  - orice produs care a fost încercat să fie reparat de către o persoană necalificată sau fără autorizare în prealabil de către Technronic Industries
  - orice produs conectat necorespunzător la sursa de curent (amperi, voltaj, frecvență)
  - orice produs folosit cu amestec necorespunzător de combustibil (combustibil, ulei, procentaj de ulei)
  - orice defecțiune cauzată de influențe externe (chimice, fizice, șocuri) sau substanțe străine
  - uzura normală a pieselor de schimb
  - folosire necorespunzătoare, suprasolicitare a sculei
  - folosire de accesorii și părți neaprobate
  - carburator după 6 luni, reglări ale carburatorului după 6 luni
  - componente (părți și accesorii) subiect a uzurii naturale, incluzând dar nelimitându-se la butoane rotative, curele de distribuție, ambreiaj, lame ale aparatelor de bordurat și tuns iarba, hamuri, cabluri de accelerație, perii de carbon, cabluri electrice, dinți ale furcii, șaibe de păsli, ventilatoare și tuburi de absorbție, sac vacuum și chingi, bare de ghidare, ferăstraie cu lanț, furture, fitinguri de conectare, vergele de pulverizat, duze de pulverizat, roți, vergele de pulverizat, bobine interioare, bobine exterioare, fire pentru tăiat, buji, filtre de aer, filtre de gaz, lame protectoare, etc
4. Pentru service, produsul trebuie să fie trimis sau prezentat la un punct service RYOBI autorizat listat pentru fiecare țară în următoarea listă cu adrese ale punctelor service. În anumite țări reprezentantul dvs local RYOBI se angajează să trimită produsul la un punct de service RYOBI. Atunci când se trimite un produs la un punct service RYOBI, produsul trebuie să fie împachetat cu grijă fără a conține produse periculoase precum benzină, marcat cu adresa expeditorului și însoțit de o scurtă descriere a defecțiunii.
5. Repararea/inlocuirea în timpul garanției este fără niciun cost. Nu constituie o prelungire sau un nou început a perioadei de garanție. Părțile sau aparatele schimbate devin proprietatea noastră. În anumite țări taxele de expediere trebuie să fie plătite de către expeditor.
6. Garanția este valabilă în Uniunea Europeană, Elveția, Islanda, Norvegia, Lichtenstein, Turcia și Rusia. În afara acestor zone, vă rugăm contactați reprezentantul dvs local autorizat RYOBI pentru a determina dacă se aplică altă garanție.

## CENTRU DE SERVICE AUTORIZAT

Pentru a găsi un centru de service autorizat lângă dvs., vizitați <http://uk.ryobitools.eu/header/service-and-support/service-agents>.



## LV GARANTĪJA

Papildus visām likumā paredzētajām tiesībām saistībā ar iegādi šim izstrādājumam ir turpinājuma izklāstīta garantija.

1. Garantijas periods patērētājiem ir 24 mēneši, un tas sākas izstrādājuma iegādes dienā. Šim datumam ir jābūt dokumentētām rēķinā vai citā iegādi apliecinošā dokumentā. Šis izstrādājums ir izgatavots un paredzēts vienīgi patērētājam un privātai lietošanai. Profesionālais vai komerciālais lietošanas gadījumā garantija nav spēkā.
2. Atsevišķos gadījumos (piem., akcija, vairāki instrumenti) pastāv iespēja pagarināt garantijas periodu virs sešmēnešu perioda, reģistrējot to [www.ryobitools.eu](http://www.ryobitools.eu) vietnē. Instrumenta pielietojums ir skaidri norādīts veikalos un/vai uz iepakojuma. Lietotājiem ir jāreģistrē savj jauniegūtie instrumenti tiešsaistē 8 dienu laikā no iegādes datuma. Lietotājs var reģistrēties pagarinātajai garantijai savā dzīvesvietas valstī, ja tā ir norādīta tiešsaistes reģistrācijas veidlapā, kur pieejama šī iespēja. Turklāt lietotājiem ir jāievada dati tiešsaistē, jādod piekrišana šo datus uzglabāšanai un jāpiekrīt noteikumiem. Saņemtais reģistrācijas apstiprinājums, kas izsūtīts pa e-pastu, un rēķinā oriģināls, kurā redzams iegādes datums, ir pagarinātās garantijas pierādījums. Jūsu likumā paredzētās tiesības netiek ietekmētas.
3. Garantija attiecas uz visiem izstrādājuma bojājumiem, kas radušies garantijas perioda laikā iegādes dienā esošo izgatavošanas vai materiāla defektu dēļ. Garantija ir ierobežota līdz remontam un/vai nomaigai un neietver citus pienākumus, ieskaitot, bet neaprobežojoties ar nejausiem vai netiešiem zaudējumiem. Garantija nav spēkā, ja izstrādājums ir liets nepareizi vai neievērojot rokasgrāmatas norādījumus vai ticis nepareizi savienots. Garantija netiecas uz:
  - izstrādājuma bojājumiem, kas radušies nepareizas apkopes dēļ;
  - izstrādājumiem, kas tikusi pielāgoti vai pārveidoti;
  - izstrādājumiem, kuru oriģinālais identifikācijas marķējums (preču zīme, sērijas numurs) ticis sabojāts, pārveidots vai noņemts;
  - bojājumiem, kurus izraisījis rokasgrāmatas norādījumu neievērošana;
  - izstrādājumiem bez CE marķējuma;
  - izstrādājumiem, kurus ir mēģinājis remontēt nekvalificēts speciālists vai kuri remontēti bez Techronic Industries atļaujas;
  - izstrādājumiem, kas tikusi pievienoti neatbilstošai energopadveī (apmēri, spriegums, frekvence);
  - izstrādājumiem, kuros izmantots nepareizs degvielas maisījums (degviela, eļļa, eļļas daudzums);
  - bojājumiem, kurus izraisījis ārēja iedarbība (ķīmiska, fiziska, triecieni) vai svešas vielas;
  - normālu detaļu nolietojumu un nodilumu;
  - instrumenta nepareizu lietošanu, pārslogozi;
  - neapstiprinātu detaļu un piederumu lietošanu;
  - karburatoru pēc 6 mēnešiem, karburatora regulējumiem pēc 6 mēnešiem;
  - komponentiem (detaļām un piederumiem), kas ir pakļauti dabiskam nodilumam un nolietojumam, ietverot, bet neaprobežojoties ar darbināšanas pogām, piedziņas siksnām, dzīvzoga trimeru un zāles plāvēji asmeņiem, plecu turētāju, kabeļa droseli, ogļekļa sukām, elektrības vadu, tapām, filca starplīkām, sakabes tapām, pūteja ventilatoriem, pūteja un vakuuma caurulēm, vakuuma maisiem un lencēm, virzošajiem stieņiem, zāga ķēdēm, šļūtenēm, savienotāja stiprinājumiem, smidzināšanas sprauslām, riteņiem, smidzināšanas nūjām, iekšējiem ruļļiem, ārējām spolēm, griešanas auklām, aizdedzes svečēm, gaisa filtriem, gāzes filtriem, mulčēšanas asmeņiem u. c.;
4. Ja nepieciešams veikt remontu, izstrādājums jānosūta vai jānodod RYOBI pilnvarotam servisa centram, kas norādīts pie attiecīgās valsts servisa centru adresu sarakstā. Atsevišķās valstīs vietējais RYOBI dīleris uzņemas nosūtīt izstrādājumu RYOBI servisa organizācijai. Nosūtīt izstrādājumu RYOBI servisa centram, izstrādājumiem jābūt droši iepakotam bez bīstama satura, piemēram, degvielas, marķētam ar sūtītāja adresi un kopā ar īsu aprakstu par defektu.
5. Remonts/nomaigā šīs garantijas ietvaros ir bez maksas. Tas nepagarina un neuzsāk jaunu garantijas periodu. Nomainītās detaļas un instrumenti nonāk mūsu īpašumā. Atsevišķās valstīs piegādes maksa un pasta izdevumi jāsedz sūtītājam.
6. Šī garantija ir derīga Eiropas Kopienā, Šveicē, Islandē, Norvēģijā, Līhtenšteinā, Turcijā un Krievijā, Ārpus šiem reģioniem, lūdzu, sazinieties ar savu pilnvaroto RYOBI dīleri, lai noskaidrotu, vai ir spēkā cita garantija.

## AUTORIZĒTS APKALPOŠANAS CENTRS

Lai atrastu tuvāko autorizēto apkalpošanas centru, apmeklējiet <http://uk.ryobitools.eu/header/service-and-support/service-agents>.

## LT GARANTĪJA

Beįstatymais nustatyty teisių, įgyjamų nusipirkus šį produktą, produktui taikoma toliau nurodyta garantija.

1. Pirkėjams galiojantis garantinis periodas yra 24 mėnesiai ir prasideda nuo produkto pirkimo datos. Data turi būti nurodyta sąskaitoje-faktūroje arba kitame pirkimą įrodančiame dokumente. Produktas sukurtas ir skirtas tik naudotojui ir tik asmeniniam naudojimui. Todėl garantija netaikoma produktą naudojančiam profesionaliam ar komerciniam tikslais.
2. Kai kuriais atvejais yra galimybė pratęsti garantinį laikotarpį iki toliau nurodyto laikotarpio, prieš tai užsiregistruvus [www.ryobitools.eu](http://www.ryobitools.eu) svetainėje. Įrankio tinkamumo aiškiai parodytas parduotuvėse ir (arba) ant pakuotės. Galutinis naudotojas turi užregistruoti savo naujai įsigytus įrankius internetu per 8 dienas nuo jų pirkimo datos. Galutinis naudotojas gali užsiregistruoti dėl garantijos pratęsimo savo šalyje, jei ši pateikta registracijos internetu formoje, kurioje galimas šis pasirinkimas. Be to, galutinai naudotojai privalo duoti savo sutikimą laikyti duomenis, kuriuos reikia įvesti internete, ir jie turi sutikti su sąlygomis ir nuostatomis. Registracijos patvirtinimo pranešimas, išsiunčiamas el. paštu, ir originali sąskaityta faktūra, kurioje nurodyta pirkimo data, įrodo pratęstą garantiją. Jūsų įstatymuose nustatytioms teisėms nebus pakenkta.
3. Garantinis laikotarpis garantija taikoma visiems produkto trūkumams, atsiradusiems dėl prastos darbo kokybės arba prastu produkto medžiagų pirkimo dieną. Garantija taikoma tik taisymsui ir (arba) pakeltimui ir ji neenumatyti jokie tik įsipareigojimai, įskaitant, bet neapsiribojant atsiiktine ar susijusia žala. Garantija negalioja produktą netinkamai naudojant, priešingai vadove nurodytoms instrukcijoms, arba netinkamai prijungus. Garantija netaikoma šiais atvejais:
  - produktui padaryti žalai netinkamai atliekant produkto techninę priežiūrą;
  - pakeistam arba modifikuotam produktui;
  - bet kokiems produktams, kurių originalios identifikacijos (prekės ženklas, serijos numeris) žymės buvo sugadintos, pakeistos ar pašalintos;
  - bet kokiai žalai, patirtai nesaikant naudojimo vadovo;
  - bet kokiam CE nepaženklintam produktui;
  - bet kokiam produktui, kurį bandė taisyti nekvalifikuotas specialistas, arba iš anksto negavus „Techronic Industries“ leidimo;
  - bet kokiam produktui, įjungtam į netinkamą maitinimo tinklą (amperai, įtampa, dažnis);
  - bet kokiam produktui, naudojamam su netinkamu degalų mišiniu (degalai, alyva, alyvos procentinis kiekis);
  - bet kokiai žalai, kilusiai dėl išorinio poveikio (cheminis, fizinis poveikis, smūgiai) arba pašalinių medžiagų;
  - įprastam atsarginių dalių dėvėjimuisi;
  - produktą netinkamai naudojant arba jį perkrovus;
  - naudojant nepatvirtintus priedus arba dalis;
  - karbiuratorius po 6 mėnesių, karbiuratoriaus reguliavimui po 6 mėnesių;
  - komponentams (daliims ir priedams), kurie dėvisi savaime, įskaitant, bet neapsiribojant iškiliais mygtukais, diržinėmis pavakomis, sankaba, gyvatvorės žirklių arba vejos pjovimo mašinų asmečiais, diržais, kabeļu droseliu, anglies šepetėliais, maitinimo laidu, virbams, veltinio poveržlėmis, traukimo kaiščiais, pūtimo ventiliatoriais, pūstuvu ir siurblio vamzdžiais, siurblio maišeliu ir dirželiais, kreipiamaisiais strypais, pjūklų grandinėmis, žarnelėmis, jungtimis, purkštukais, ratais, purškimo lazdelėmis, vidiniais sukutvais, išorinėmis ritėmis, mulktintuvais, uždegimo žvakėmis, oro filtrais, dujų filtrais, mulčiavimo asmečiais ir t. t.;
4. Norint atlikti techninį aptarnavimą, produktą reikia nusiųsti arba pristatyti į vieną iš RYOBI įgaliotų techninio aptarnavimo punktų, esančių kiekvienoje šalyje toliau pateiktame aptarnavimo punktų adresų sąraše. Kai kuriose šalyse jūsų vietinis RYOBI pardavėjas gali nusiųsti produktą į RYOBI techninio aptarnavimo punktą. Siunčiant produktą į RYOBI techninio aptarnavimo punktą, produktą reikia saugiai supakuoti, prieš tai iš jo pašalinus pavojingas medžiagas, pavyzdžiui, benzina, nurodyti siuntėjo adresą ir pridėti trumpą gedimo aprašymą.
5. Pagal šią garantiją taisyms ar keitimo darbai atliekami nemokamai. Garantijoje nenumatytas garantijos pratęsimas ar naujo garantinio laikotarpio pradėjimas. Pakeistos dalys arba įrankiai tampa mūsų nuosavybe. Kai kuriose šalyse pristatymo ar siuntimo paštu išlaidas turi padengti siuntėjas.
6. Ši garantija taikoma Europos bendrijoje, Šveicarijoje, Islandijoje, Norvegijoje, Lichtenšteine, Turkiijoje ir Rusijoje. Kitose šalyse kreipkitės į savo įgaliotą RYOBI pardavėją, norėdami sužinoti, ar taikoma kita garantija.

## ĮGALIOTAS TECHINIS PRIEŽIŪROS CENTRAS

Jei norite surasti įgaliotą techninės priežiūros centrą netoli Jūsų, apsilankykite interneto svetainėje <http://uk.ryobitools.eu/header/service-and-support/service-agents>.

## ET GARANTIID

Lisaks ostu puhul kaasnevate seadusjärgsetele õigustele kehtib tootele allpool esitatud tingimustega garantiid.

- Ostja poolt ostetud tootele on kehtestatud garantiiperiood 24 kuud ja see hakkab kehtima toote ostmise kuupäeval. See kuupäev on märgitud arvele või muule ostu lõendavale dokumendile. Toode on ette nähtud ostjale ainult isiklikuks kasutamiseks. Kui toodet kasutatakse ametialasel või äriühtel eesmärgidel, siis garantiid ei kehti.
- Mõnel juhul (nt reklaam, seadmete seeria) on võimalik pikendada garantiiperioodi pikemaks ajaks kui ülal mainitud, kui kasutatakse registreerimist veebisaidil [www.ryobitools.eu](http://www.ryobitools.eu) kaudu. Registreerimise tingimused on välja pandud kauplustesse ja/või on pakendil. Lõppkasutaja peab oma uued tüüristad veebis registreerima 8 päeva jooksul alates ostukuupäevast. Lõppkasutaja võib registreerida end pikendatud garantiis oma asukohamaal, kui see on esitatud veebis registreerimise loendil, seal kus see vaik on olemas. Peale selle, lõppkasutajad peavad andma nõusoleku enda andmete salvestamiseks, mida vajatakse veebi sisenumiseks ja nõustuma esitatud tingimustega. Pikendatud garantiid kehtivust lõendab e-postiga saadetud registreerimise kinnitusteada, ja algupärane arve, millel on ostukuupäev. Teie seadusjärgsed õigused jäävad mõjutamata.
- Garantiid kehtib kõikidele ostukuupäevast kehtima hakkaval garantiiperioodil ilmnenu rike suhtes, mis on tingitud töötamis- või materjalivigadest. Garantiid on piiratud remondi ja/või asendamise ja ei sisalda muid kohustusi, kuid mitte ainult, kaasneva või tuleneva kahju eest. Garantiid ei kehti, kui toodet on väärkasutatud, kasutusjuhendis nimetatud otstarbele mittevastavalt kasutatud või toode on ebaõigesti ühendatud. See garantiid ei rakendu järgmistel juhtudel:
  - tootel on mingi vigastus, mis on põhjustatud ebaõigest kasutamisest,
  - toodet on mingil viisil ümber ehitatud või muudetud,
  - toote algupärane tuvastusmarkering (kaubamärk, seerianumber) on kahjustatud, ümber tehtud või eemaldatud,
  - tootel on mingi vigastus, mis on tingitud kasutusjuhendi mittejälgimisest,
  - toode ei ole CE-märgisega,
  - toodet on püüdnud parandada ebaõiged spetsialist või seda on tehtud ilma Techtron Industries volitusteta,
  - toode on ühendatud selleks mitteetantud elektritoitevõrguga (väär voolu tugevus, pinge või sagedus),
  - tootes on kasutatud mitteetantud kütusesegu (kütus, õli, väär õli vahetord),
  - tootel on vigastus välistõimudest (keemilised või füüsilised mõjud või löögid),
  - toote varuosadel ilmneb tavapärane kulumine,
  - toodet on ebaõigesti kasutatud või üle koormatud,
  - tootel on kasutatud mitteetantud tarvikuid või osi,
  - toote karburaator pärast 6 kuu möödumist, toote karburaatori säätet pärast 6 kuu möödumist,
  - toote koostesadel (osad ja tarvikud) ilmneb tavapärane kulumine järgmistel detailidel (kuid mitte ainult): etteandenu, ajamirihmad, sidur, hekiõikuri või muruniiduki terad, rakmed, gaasitross, süsinikharjad, toitejuhe, piid, viitseidid, vedruühitvid, puhumisventilaatorid, puhuri ja imuri torud, imisüsteemi kotid ja ribad, juhtvardad, saeketid, voolikud, ühendusliitmikud, düüsid, rattad, pihustustorud, siseturmid, välispooled, lõikejõhid, süüteküünlad, õhufiltrid, gaasifiltrid, multšimisterad jne.
- Hooldamiseks tuleb toode saata või tuua mõnda RYOBI volitatud hoolduspunkti, mis on esitatud loendis iga riigi jaoks ja milles on hoolduspunkti aadressid. Mõnes riigis kohustub RYOBI edasimüüja saatma toote RYOBI hooldusasutusse. Kui toode saadetakse RYOBI hooldusasutusse, tuleb toode turvaliselt ära pakkida ilma, et sellesse jääks ohtlikku sisu, näiteks bensiin ja pakendile tuleb märkida saatja aadress ja riike lühikirjeldus.
- Selle garantiid alusel tehtud remont/asendus on tasuta. Sellega ei kaasne garantiiperioodi pikemine või uue garantiiperioodi algus. Asendatud osad ja tüüristad jäävad meie omandusse. Mõnes riigis tuleb saate- või postikulud tasuda saatja poolt.
- See garantiid kehtib Euroopa Liidus, Šveitsis, Islandil, Norras, Liechtensteinis, Ungaris ja Venemaal. Väljaspool neid riike võtke ühendust Ryobi volitatud edasimüüjaga, et teada saada teistsuguste garantiid kehtivus.

## VOLITATUD HOOLDUSKESKUS

Oma volitatud hoolduskeskuse leiate veebisaidil <http://uk.ryobitools.eu/header/service-and-support/service-agents>.

## HR JAMSTVO

U dodatku svih zakonskih prava koja proizlaze kao rezultat kupnje, ova proizvod pokriven je jamstvom kao što je utvrđeno u nastavku.

- Jamstveno razdoblje je 24 mjeseca za korisnike, a započinje na datum kupnje proizvoda. Ovaj datum treba biti dokumentiran računom ili nekim drugim dokazom o kupnji. Proizvod je dizajniran i namijenjen samo za korisnike i osobno korištenje. Stoga nema omogućenog jamstava u slučaju profesionalnog ili komercijalnog korištenja.
- U nekim slučajevima (primjerice promocije, paleta alata) postoji mogućnost produženog jamstvenog razdoblja preko gore navedenog razdoblja korištenjem registracije na web mjestu [www.ryobitools.eu](http://www.ryobitools.eu). Sukladnost alata jesno je prikazana u trgovini ili na pakiranju. Krajnji korisnik treba registrirati svoje nove pribavljene alate na mreži unutar 8 dana od datuma kupnje. Krajnji korisnik može se registrirati za produženo trajanje jamstava u svojoj zemlji stanovanja ako je navedena na mrežnom obrascu za registraciju gdje je ova opcija valjana. Nadalje, krajnji korisnici moraju dati svoje odobrenje za spremanje podataka koji su potrebni za unos na mreži i moraju prihvatiti uvjete i odredbe. Primatka potvrde o registraciji, koja se šalje e-poštom i originalni račun koji prikazuje datum kupnje služe kao dokaz produženog jamstava. Vaša zakonska prava ostaju nepromijenjena.
- Jamstvo pokriva sve kvarove proizvoda tijekom jamstvenog razdoblja zbog pogreški u izradi ili materijalu na datum kupnje. Jamstvo je ograničeno na popravak ili zamjenu i ne uključuje nikakve druge obveze uključujući no ne ograničavajući se na slučajne ili posljedice štete. Jamstvo nije valjano ako je proizvod pogrešno korišten, korišten suprotno od korisničkog priručnika ili je nepravilno priključen. Ovo jamstvo se ne primjenjuje na:
  - svako oštećenje proizvoda koje je rezultat nepravilnog održavanja
  - svaki proizvod koji je izmijenjen ili modificiran
  - svaki proizvod gdje su originalne identifikacijske oznake (zaštitni znak, serijski broj) izbrisane, zamijenjene ili uklonjene
  - svako oštećenje uzrokovano neprikladnim korištenjem priružnika
  - svaki proizvod koji nije CE
  - svaki proizvod koji je pokušao popraviti neovlašten profesionalac ili bez prethodnog odobrenja od strane Techtron Industries
  - svaki proizvod priključen na nepravilno napajanje energijom (amperi, napon, frekvencija)
  - Svaki proizvod korišten s neodgovarajućom mješavinom (gorivo, ulje, postotak ulja)
  - svako oštećenje uzrokovano vanjskim utjecajima (kemijsko, fiziko, udar) ili stranim stvarima
  - normalno trošenje i habanje rezervnih dijelova
  - nepravilno korištenje, preopterećenje alata
  - korištenje neodobrenog dodatnog pribora ili dijelova
  - rasplinjača nakon 6 mjeseci, podešavanje rasplinjača nakon 6 mjeseci
  - komponente (dijelovi i dodatni pribor) koji su predmet prirodnog trošenja i habanja, uključujući no ne ograničavajući se na gumbce za otpuštanje, pogonske remene, spojku, oštrice trimera za grmlje ili kosilicu, kope, sajle gasa, ugljene četke, kabele za napajanje, nožve, podloške, ztike za zgloznu vezu, ventilatore puhalice, cijevi za ispuhivanje i usisavanje, vakuumske vrećice i trake, vodilice, lance pile, crijeva, priključene elemente, mlaznice za raspršivanje, kotače, kopljia za raspršivanje, unutarnje kolute, vanjske kaleme, flaksove, svječice, filtre za zrak, filtre za plin, oštrice za usitnjavanje itd.
- Za servisiranje, proizvod se mora poslati ili predati ovlaštenoj stanici za servis tvrtke RYOBI navedenoj za svaku zemlju u sljedećem popisu adresa stanica za servis. U nekim zemljama vaši lokalni RYOBI zastupnik obavezan je poslati proizvod u servisnu organizaciju tvrtke RYOBI. Prilikom slanja proizvoda u stanicu za servis tvrtke RYOBI, proizvod treba biti sigurno pakiran bez ikakvog opasnog sadržaja poput benzina, s označenom adresom pošiljatelja i pripadajućim kratkim opisom pogreške.
- Popravak/zamjena pod ovim jamstvom se ne naplaćuje. Ne produžuje zakonsko ili ne započinje novo jamstveno razdoblje. Zamijenjeni dijelovi ili alati postaju naše vlasništvo. U nekim zemljama pošiljatelj plaća poštarinu.
- Ovo jamstvo je valjano u Europskoj zajednici, Švicarskoj, Islandu, Norveškoj, Lichtenštajnu, Turskoj i Rusiji. Izvan ovih područja molimo vas da kontaktirate vašeg ovlaštenog zastupnika RYOBI kako biste odredili ako se primjenjuje druga jamstva.

## OVLAŠTENI SERVISNI CENTAR

Za pronalaženje ovlaštenog servisnog centra pored vas posjetite <http://uk.ryobitools.eu/header/service-and-support/service-agents>.

## SL GARANCIJA

Poleg kakršnih koli zakonskih pravic, ki jih pridobite z nakupom, za ta izdelek velja tudi garancija, kot je opisano spodaj.

1. Garancijsko obdobje je 24 mesecev za potrošnike in se začne z datumom nakupa. Ta datum mora biti dokumentiran z računom ali drugim dokazilom o nakupu. Izdelek je namenjen in posevčen le potrošniški in zasebni uporabi. Zato garancija ne velja za profesionalno ali komercialno uporabo.
2. V nekaterih primerih (npr. promocija, obseg orodij) obstaja možnost podaljšanja garancijskega obdobja prek zgoraj opisanega obdobja, kar je mogoče storiti z registracijo na spletnem mestu [www.ryobitools.eu](http://www.ryobitools.eu). Namen orodja je jasno označen v trgovinah in/ali na embalaži. Končni uporabnik mora svoje novo orodje registrirati prek spleta v 8 dneh od datuma nakupa. Končni uporabnik se lahko registrira za podaljšano garancijo v svoji državi, kjer ima stalno prebivališče, če je država vključena na seznam v obrazcu za registracijo, kjer je ta možnost veljavna. Poleg tega mora končni uporabnik odobriti shranjevanje podatkov, ki so potrebni za spletni vstop, in morajo sprejeti pogoje in določila. Potrdilo o registraciji, ki se pošlje po e-pošti, ter originalni račun, na katerem je naveden datum nakupa, veljata kot dokazilo o podaljšani garanciji. Vaše zakonske pravice ostanejo nespremenjene.
3. Garancija krje vse okvare izdelka med garancijskim obdobjem zaradi napak v izdelavi ali materialu na datum nakupa. Garancija je omejena na popravilo/zamenjavo in ne vključuje drugih obveznosti, med drugim ne vključuje obveznosti zaradi nenamerne ali posledične škode. Garancija ni veljavna, če je bil izdelek zlorabljen, uporabljen v nasprotju z navodili za uporabo ali nepravilno priključen. Garancija ne velja:
  - za kakršno koli poškodbo izdelka, ki je posledica neprimernega vzdrževanja,
  - če je bil izdelek spremenjen ali modificiran,
  - če so originalne identifikacijske oznake (blagovna znamka, serijska številka) na izdelku poškodovane, spremenjene ali odstranjene,
  - če je do poškodbe prišlo zaradi neupoštevanja navodil za uporabo,
  - za katere koli izdelke, ki niso skladni z oznako CE,
  - če je izdelek poskusil opraviti neusposobljen strokovnjak ali brez predhodne odobritve družbe Techtronic Industries,
  - če je bil izdelek priključen na neustrezno električno omrežje (jakost, napetost, frekvenca),
  - če je bil izdelek uporabljen z neustrezno mešanico goriva (gorivo, olje, odstotek olja),
  - če je do poškodbe prišlo zaradi zunanjih vplivov (kemični, fizični, udarci) ali tujih snovi,
  - za normalno obrabo nadomestnih delov,
  - neustrezne uporabe, preobremenitve orodja,
  - uporabe neodobrenih dodatkov ali delov,
  - za uplinjač po 6 mesecih, prilagoditve uplinjača po 6 mesecih,
  - za sestavne dele (dele in dodatke), ki so podvrženi normalni obrabi, med drugim za vzmetne gume, pogonske jermene, sklopko, rezila obrezovalnikov ali kosilnic, nosilni trak, kabelske dušilke, karbonskih krtačk, napajalnega kabla, zobovje, polstene podložke, varnostne zatiče, ventilatorje, puhalne in sesalne cevi, sesalne vreče in trakove, vodila, verige za žage, gibljive cevi, nastavke priključkov, pršilne šobe, kolesa, pršilne palice, notranje kolote, zunanja vretena, rezalne nitke, vžigalne svečke, zračne filtre, plinske filtre, drobilna rezila itd.,
4. Za servisiranje je treba izdelek poslati ali prinesiti v pooblaščen servisni center RYOBI, ki je za vsako državo naveden na naslednjem seznamu z naslovi servisnih centrov. V nekaterih državah pošiljanje izdelka servisnemu centru RYOBI prevzame lokalni trgovec z izdelki RYOBI. Za pošiljanje servisnemu centru RYOBI mora biti izdelek varno zapakiran, brez kakršnih koli nevarnih snovi, npr. gorivo, označen z naslovom pošiljatelja, priložen pa mora biti kratek opis napake.
5. Popravilo/nadomestilo v sklopu te garancije je brezplačno. Ne pomeni podaljšanja ali novega začetka garancijskega obdobja. Zamenjani deli ali orodja postanejo naša last. V nekaterih državah mora stroške pošiljanja ali dostave poravnati pošiljatelj.
6. Ta garancija je veljavna v Evropski skupnosti, Švicji, na Islandiji, Norveškem, v Liechtensteinu, Turčiji in Rusiji. Izven teh področij stopite v stik s pooblaščenim trgovcem RYOBI, da ugotovite, ali velja katera druga garancija.

## POOBLAŠČEN SERVISNI CENTER

Pooblaščen servisni center blizu vas poiščite na <http://uk.ryobitools.eu/header/service-and-support/service-agents>.

## SK ZÁRUKA

Okrem zákonných práv vyplývajúcich zo zakúpenia je tento produkt pokrytý zárukou, ako je uvedené nižšie.

1. Záručná doba pre spotrebiteľov je 24 mesiacov a začína dňom zakúpenia produktu. Tento dátum musí byť zdokumentovaný faktúrou alebo iným dokladom o kúpe. Tento produkt je navrhnutý a určený len na potrebné a osobné použitie. Takže v prípade profesionálneho alebo komerčného použitia neplatí žiadna záruka.
2. V niektorých prípadoch (napr. reklamná akcia, rad produktov) existuje možnosť predĺženia záručnej doby nad dobu uvedenú vyššie pomocou registrácie na webovej stránke [www.ryobitools.eu](http://www.ryobitools.eu). Spôsobilosť nástroja je zreteľne zobrazená v obchodoch a ha obale. Koncový používateľ si musí zaregistrovať svoje novonadobudnuté nástroje online do 8 dní odo dňa zakúpenia. Koncový používateľ sa môže zaregistrovať za účelom získania predĺženej záruky vo svojej krajine, ak je uvedená v online registračnom formulári, kde je táto možnosť platná. Okrem toho musia koncoví používatelia poskytnúť súhlas k uloženiu údajov, ktoré sa zadávajú online a musia súhlasiť so zmluvnými podmienkami. Doklad s potvrdením o registrácii, ktorý posielame prostredníctvom e-mailu a originál faktúry s uvedeným dátumom zakúpenia slúžia ako dôkaz predĺženej záruky. Vaše zákonné práva ostávajú nedotknuté.
3. Táto záruka pokrýva všetky poruchy produktu počas záručnej doby, ktoré vznikli následkom nedostatkov vo vypracovaní alebo materiáli v deň zakúpenia. Táto záruka je obmedzená na opravu alebo výmenu a nezahŕňa ďalšie povinnosti, napríklad vedľajšie alebo následné škody. Táto záruka je neplatná, ak bol produkt požívaný nesprávne, používaný v rozpore s návodom na použitie alebo nesprávne pripojený. Táto záruka sa nevzťahuje na:
  - akékoľvek poškodenie produktu, ku ktorému došlo následkom nesprávnej údržby
  - akýkoľvek produkt, ktorý bol pozmenený alebo upravený
  - akýkoľvek produkt, na ktorom boli poškodené pozmenené alebo odstránené originálne identifikačné znaky (obchodná známka, sériové číslo)
  - akékoľvek poškodenie spôsobené následkom neododržania návodu na použitie
  - akýkoľvek produkt iný ako CE
  - akýkoľvek produkt, o ktorého opravu sa pokúšal nekvalifikovaný odborník alebo v prípade opravy bez predchádzajúceho oprávnenia od spoločnosti Techtronic Industries
  - akýkoľvek produkt pripojený k nesprávnejmu napájaciemu zdroju (prúd, napätie, frekvencia)
  - akýkoľvek produkt použitý v nevhodnou palivovú zmesou (palivo, olej, percento oleja)
  - akékoľvek poškodenie spôsobené vonkajšími vplyvmi (chemické, fyzické, nárazy) alebo cudzími látkami
  - bežné opotrebenie náhradných dielov
  - nesprávne používanie a pretážovanie nástroja
  - používanie neschváleného príslušenstva alebo dielov
  - karburátor po 6 mesiacoch, úpravy karburátora po 6 mesiacoch
  - komponenty (diely a príslušenstvo), ktoré podliehajú prirodzenému opotrebeniu, napríklad pružinové tlačidlá, hnacie remene, spojka, ostria strihača živého plotu alebo kosačky trávy, postroj, ťahadlo škrťacej klapky, uhľikové kefky, napájaci kábel, končeky, plstené podložky, kolký s háčikom, ventilátory dýchadla, rúrky dýchadla a vysávača, vrecko a remene vysávača, vodiace lišty, pilové reťaze, hadice, konektorové armatúry, rozprašovače trysky, kolieska, striekacie tyče, vnútorné navijaky, vonkajšie cievy, rezné drôty, zapalovače sviečky, vzduchové filtre, benzínové filtre, mulčovacie ostria a pod.
4. Na servis sa musí produkt odoslať alebo predložiť autorizovanému servisnému centru RYOBI uvedenému pre každú krajinu v nasledujúcom zozname adres servisných staníc. V niektorých krajinách pošle produkt do servisnej organizácie RYOBI váš miestny predajca produktov RYOBI. Pri odosielaní produktu do servisnej stanice RYOBI musí byť produkt bezpečne zabalený bez akéhokoľvek nebezpečného obsahu, napríklad paliva, označený adresou odosielateľa a musí byť k nemu priložený krátky popis poruchy.
5. Oprava či výmena v rámci tejto záruky je bezplatná. Nevplyvva z nej predĺženie či nový začiatok záručnej doby. Vymenené diely alebo nástroje sa stávajú našim majetkom. V niektorých krajinách doručovací poplatok alebo poštovné platí odosielateľ.
6. Táto záruka je platná v Európskej únii, Švajčiarsku, na Islande, v Nórsku, Lichtenštajnsku, Turecku a Rusku. Mimo týchto oblastí kontaktujte autorizovaného predajcu spoločnosti Ryobi, u ktorého zistíte, či platí nejaká iná záruka.

## AUTORIZOVANÉ SERVISNÉ CENTRUM

Ak chcete nájsť najbližšie autorizované servisné centrum, navštívte stránku <http://uk.ryobitools.eu/header/service-and-support/service-agents>.

## **BG** ГАРАНЦИЯ

В допълнение към законоустановените права, произтичащи от покупката, този продукт е обхванат от гаранция, както е изложено по-долу.

- Гаранционният срок е 24 месеца за клиенти и започва да тече от деня на закупуване на продукта. Тази дата трябва да се докаже с фактура или друго доказателство за покупка. Продуктът е изработен и предназначен само за потребителска и лична употреба. Следователно не се дава гаранция в случай на използване от професионалисти или с търговска цел.
- В някои случаи (като промоция, гама инструменти) съществува възможност за удължаване на гаранционния срок след изтичането на описания тук чрез регистрацията на уеб сайта [www.yobitools.eu](http://www.yobitools.eu). Дали инструментът отговаря на условията за такова удължаване, ясно показано в магазини и/или върху опаковката. Крайният потребител трябва да регистрира своите новопридобити инструменти онлайн в рамките на 8 дни от датата на покупка. Крайният потребител може да се регистрира за удължена гаранция в държавата си на пребиваване, ако е посочена във формуляра за онлайн регистрация като място, където тази опция е валидна. Освен това крайните потребители трябва да дадат съгласието си за съхранение на данните, които са задължителни за ползване онлайн, и трябва да приемат общите условия. Полученото потвърждение за регистрация, изработено по имейл, и оригиналната фактура, показваща датата на покупка, ще служат като доказателство за удължената гаранция. Законоустановените Ви права остават незаосенгати.
- Гаранцията покрива всички дефекти на продукта по време на гаранционния срок, които се дължат на проблеми в изработката или материалите към момента на покупката. Гаранцията е ограничена до ремонт и/или замяна и не включва други задължения, включително, но не само, случайни или закономерни щети. Гаранцията е невалидна, ако продуктът е използван неправилно или в противоречие с ръководството с инструкции, както и ако е свързан неправилно. Тази гаранция не важи за:
  - щети по продукта в резултат на неправилна профилировка;
  - продукти, които са били изменени или модифицирани;
  - продукт, при който оригиналните маркировки за идентификация (търговска марка, серийн номер) са изтрети, променени или премахнати;
  - повреда, причинена от неспазване на ръководството с инструкции;
  - продукт без CE маркировка;
  - продукт, за който е направен опит за ремонт от невалифициран специалист или без предварително разрешение от Techntron Industries;
  - продукт, свързан към неподходящо електрохранване (ампераж, волтаж, честота);
  - продукт, използван с неподходяща горивна смес (гориво, масло, процент масло);
  - щети, причинени от външни влияния (химични, физични, удари) или чужди вещества;
  - нормално износване на резервни части;
  - неподходяща употреба, претоварване на инструмента;
  - използване на неодобрени аксесоари или части;
  - карбуратора след 6 месеца, настройки на карбуратора след 6 месеца;
  - компоненти (част и аксесоари), подложени на естествено износване, включително, но не само, копчета за гласане, задвижващи ремъци, съединител, остриета на ножници за жив плет, косачки, самар, кабелен дротел, карбонови четки, захванващ кабел, остриета, фицови шайби, осигурителни цифрове, вентилатори на уреди за обдухване, тръби за обдухване и всмукване, торба за отпадъци и ремъци, водеща шапер, вериги за триони, маркучи, фитинги на конектори, дюзи, копела, пръскалки, вътрешни и външни макари, режещо влакно, запалителни свещи, въздушни филтри, горивни филтри, остриета за мулчиране и т.н.
- За обслужване продуктът трябва да се изпрати или занесе на авторизиран сервиз на RYOBI, посочен за всяка държава в следния списък с адреси на сервиси. В някои държави местният търговец на RYOBI поема да изпрати продукта до сервизен център на RYOBI. При изпращане на продукт до сервиз на RYOBI продуктът трябва да е опакован безопасно без опасност съдържане, като бензин, да е маркиран с адреса на подателя и придружен от кратко описание на повредата.
- Ремонтът или замяната по силата на тази гаранция са безплатни. Те не водят до удължаване или подновяване на гаранционния срок. Сменените части или инструменти стават наша собственост. В някои държави таксите за доставка или изпращане трябва да се платят от подателя.
- Тази гаранция е валидна в Европейската общност, Швейцария, Исландия, Норвегия, Лихтенщайн, Турция и Русия. Извън тези области се свържете с упълномощения търговец на RYOBI, за да се установи дали са приложими други гаранции.

### УПЪЛНОМОЩЕН СЕРВИЗЕН ЦЕНТЪР

За да намерите упълномощен сервизен център близо до вас, посетете <http://uk.yobitools.eu/header/service-and-support/service-agents>.

## **UK** ГАРАНТИЯ

На додаток до любих законних прав, що випливають з покупки, цей продукт покривається гарантією, як зазначено нижче.

- Гарантійний термін складає 24 місяці для споживачів і, починається з дати придбання продукту. Ця дата повинна бути задокументована рахунком або іншим документом, що підтверджує покупку. Продукт розроблений і призначений для споживача і тільки для приватного використання. Таким чином, немає ніякої гарантії, у разі професійного або комерційного використання.
- Наведені деякі випадки (наприклад, підтримка, ряд інструментів), можливості розширення гарантійного терміну протягом періоду, описаного вище, з використанням реєстрації на сайті [www.yobitools.eu](http://www.yobitools.eu). Придатність інструменту чітко відображається в магазинах та / або на упаковці. Кінцевий користувач повинен зареєструвати його / її ново придбаний інструмент онлайн протягом 8 днів з моменту покупки. Кінцевий користувач може зареєструватися на розширену гарантію у своїй країні проживання, якщо ця країна є в онлайн формі реєстрації, де ця опція діє. Крім того, кінцеві користувачі повинні дати свою згоду на зберігання даних, які необхідні для онлайн входу і вони повинні прийняти терміни та умови. Квитанція підтвердження реєстрації, яка розсилається по електронній пошті, та оригінал рахунку-фактури із зазначенням дати покупки будуть служити доказом розширеної гарантії. Ваші законні права залишаються в силі.
- Гарантія покриває всі дефекти продукту протягом гарантійного періоду, пов'язані з недоліками виготовлення або матеріалу на дату покупки. Гарантія обмежується ремонтом та / або заміною, і не покриває будь-які інші зобов'язання, включаючи, але не обмежуючись випадковими або непрямими збитками. Гарантія не діє, якщо продукт неправильно використовувався всупереч інструкції, або був неправильно підключений. Ця гарантія не поширюється на:
  - будь-яке пошкодження продукту, яке є результатом неправильного технічного обслуговування
  - будь-який продукт, який був модифікований або модифікований
  - будь-який продукт, де оригінальні ідентифікаційні (торгова марка, серийний номер) маркування були зіпсовані, змінені або видалені
  - будь-який збиток, заподіяний в результаті недотримання керівництва з експлуатації
  - будь-який не CE продукт
  - будь-який виріб, який був відремонтований неваліфікованим спеціалістом або без попереднього дозволу Techntron Industries
  - будь-який продукт підключений до неналежного живлення (підсилювачі, напруга, частота)
  - будь-який збиток, заподіяний зовнішнім впливом (хімічними, фізичними, ударами) або стороннім речовинами
  - передбачене зношення запасних частин
  - неправильне використання, перевантаження інструменту
  - використання незатверджених запасних частин або аксесуарів
  - карбуратор через 6 місяців, коригування карбуратора після 6 місяців
  - аксесоари електроінструменту надані з інструментом або куплені окремо. Такі вироби включають, але не обмежуються гвинтовою викруточкою, свердлами, абразивними дисками, наждачним шпером і лезами, бачним спрямовувачим пристроєм
  - компоненти (частини та аксесоари), схильні до природного зносу, в тому числі, але не обмежуючись щіткою, патроном, шнуром живлення, додатковою рукояткою, шліфувальними пластинами, мішком для пилу, витяжною трубою
- Для обслуговування виріб має бути відправлено або представлено в уповноважений RYOBI центр технічного обслуговування, перерахований для кожної країни в наступному списку адресів технічних центрів. У деяких країнах місцевий дилер RYOBI зобов'язується відправити виріб в сервісній організації RYOBI. При відправці продукту до станції технічного обслуговування RYOBI, продукт повинен бути надійно упакований, без жодного небезпечного вмісту, такого як бензин, відмічений адресною відправника і супроводжуватися коротким описом несправності.
- Ремонт / заміна по гарантії безкоштовні. Це не розширює або не починає новий гарантійний термін. Замінені частини або інструменти стають нашою власністю. У деяких країнах вартість доставки або відсилки повинні бути оплачені відправником.
- Ця гарантія дієсна в Європейському Співтоваристві, Швейцарії, Ісландії, Норвегії, Лихтенштейні, Туреччині та Росії. За межами цих областей, будь ласка, зв'яжіться з офіційним дилером RYOBI, щоб визначити, якщо поширюється інша гарантія

### АВТОРИЗОВАНІ СЕРВІСНІ ЦЕНТРИ

Для отримання оновленого переліка авторизованих сервісних центрів, відвідайте <http://uk.yobitools.eu/header/service-and-support/service-agents>



## EN EC DECLARATION OF CONFORMITY

Techtronic Industries GmbH  
Max-Eyth-Straße 10, 71364 Winnenden, Germany

Herewith we declare that the product  
Cordless Brushcutter and Line trimmer  
Brand: Ryobi  
Model number: RBC36X26B/ RBC36X26E/ RBC36B26B  
Serial number range:  
RBC36X26B/RBC36B26B: 44483401000001 - 44483401999999  
RBC36X26E: 44483501000001 - 44483501999999

is in conformity with the following European Directives and harmonised standards  
2006/42/EC, 2014/30/EU, 2000/14/EC, 2005/88/EC, 2011/65/EU, EN 60335-1:2012+A11:2014, EN 50636-2-91:2014, EN 60745-1:2009+A11:2010, EN ISO 11806-1:2011, EN 55014-1:2006+A1:2009+A2:2011, EN 55014-2:1997+A1:2001+A2:2008, EN ISO 3744:2010, EN 50581:2012

Brushcutter:  
Measured sound power level: 104.3 dB(A)  
Guaranteed sound power level: 105 dB(A)  
Conformity assessment method to Annex V Directive 2000/14/EC amended by 2005/88/EC.  
Line Trimmer:  
Measured sound power level: 93.5 dB(A)  
Guaranteed sound power level: 95 dB(A)  
Conformity assessment method to Annex VI Directive 2000/14/EC amended by 2005/88/EC.

The notified body involved:  
Société Nationale de Certification et d'Homologation (Notified Body 0499)  
2a. Kalchesbruck L-1852 Luxembourg

Andrew John Eyre (BEng, CEng, MIET)  
Vice President, Regulatory & Safety  
Winnenden, May, 27, 2016

Authorised to compile the technical file:  
Alexander Krug, Managing Director  
Techtronic Industries GmbH  
Max-Eyth-Straße 10, 71364 Winnenden, Germany



## DE EC KONFORMITÄTSERKLÄRUNG

Techtronic Industries GmbH  
Max-Eyth-Straße 10, 71364 Winnenden, Germany

Hiermit erklären wir, dass die Produkte  
Akku Freischneider und Rasentrimmer  
Marke: Ryobi  
Modellnummer: RBC36X26B/ RBC36X26E/ RBC36B26B  
Seriennummernbereich:  
RBC36X26B/RBC36B26B: 44483401000001 - 44483401999999  
RBC36X26E: 44483501000001 - 44483501999999

mit den folgenden europäischen Richtlinien und harmonisierten Normen entspricht  
2006/42/EC, 2014/30/EU, 2000/14/EC, 2005/88/EC, 2011/65/EU, EN 60335-1:2012+A11:2014, EN 50636-2-91:2014, EN 60745-1:2009+A11:2010, EN ISO 11806-1:2011, EN 55014-1:2006+A1:2009+A2:2011, EN 55014-2:1997+A1:2001+A2:2008, EN ISO 3744:2010, EN 50581:2012

Freischneider:  
Gemessener Schalleistungspegel: 104.3 dB(A)  
Garantierter Schalleistungspegel: 105 dB(A)  
Konformitätsbeurteilungsmethode zu Anhang V Richtlinie 2000/14/EC wie durch 2005/88/EC.  
Rasentrimmer:  
Gemessener Schalleistungspegel: 93.5 dB(A)  
Garantierter Schalleistungspegel: 95 dB(A)  
Konformitätsbeurteilungsmethode zu Anhang VI Richtlinie 2000/14/EC wie durch 2005/88/EC.

Benannte Stelle:  
Société Nationale de Certification et d'Homologation (Notified Body 0499)  
2a. Kalchesbruck L-1852 Luxembourg

Andrew John Eyre (BEng, CEng, MIET)  
Vizepräsident, Vorschriften und Sicherheit  
Winnenden, May, 27, 2016

Autorisiert die technische Datei zu erstellen:  
Alexander Krug, Geschäftsführer  
Techtronic Industries GmbH  
Max-Eyth-Straße 10, 71364 Winnenden, Germany



## FR DÉCLARATION DE CONFORMITÉ EC

Techtronic Industries GmbH  
Max-Eyth-Straße 10, 71364 Winnenden, Germany

Déclarons par la présente que le produit  
Débroussailluse et taille-bordure sans fil  
Marque: Ryobi  
Numéro de modèle: RBC36X26B/ RBC36X26E/ RBC36B26B  
Étendue des numéros de série:  
RBC36X26B/RBC36B26B: 44483401000001 - 44483401999999  
RBC36X26E: 44483501000001 - 44483501999999

est conforme aux Directives Européennes et Normes Harmonisées suivantes  
2006/42/EC, 2014/30/EU, 2000/14/EC, 2005/88/EC, 2011/65/EU, EN 60335-1:2012+A11:2014, EN 50636-2-91:2014, EN 60745-1:2009+A11:2010, EN ISO 11806-1:2011, EN 55014-1:2006+A1:2009+A2:2011, EN 55014-2:1997+A1:2001+A2:2008, EN ISO 3744:2010, EN 50581:2012

Débroussailluse:  
Niveau de puissance sonore mesuré: 104.3 dB(A)  
Niveau de puissance sonore garanti: 105 dB(A)  
Méthode d'évaluation de conformité de l'annexe V Directive 2000/14/EC modifiée 2005/88/EC.  
Coupe-bordures:  
Niveau de puissance sonore mesuré: 93.5 dB(A)  
Niveau de puissance sonore garanti: 95 dB(A)  
Méthode d'évaluation de conformité de l'annexe VI Directive 2000/14/EC modifiée 2005/88/EC.

L'organisme notifié:  
Société Nationale de Certification et d'Homologation (Notified Body 0499)  
2a. Kalchesbruck L-1852 Luxembourg

Andrew John Eyre (BEng, CEng, MIET)  
Vice-Président, Réglementation & Sécurité  
Winnenden, May, 27, 2016

Autorisé à rédiger le dossier technique:  
Alexander Krug, Directeur Général  
Techtronic Industries GmbH  
Max-Eyth-Straße 10, 71364 Winnenden, Germany



## ES DECLARACIÓN EC DE CONFORMIDAD

Techtronic Industries GmbH  
Max-Eyth-Straße 10, 71364 Winnenden, Germany

Por la presente declaramos que los productos  
Cortamalezas y cortasetos inalámbricos  
Marca: Ryobi  
Número de modelo: RBC36X26B/ RBC36X26E/ RBC36B26B  
Intervalo del número de serie:  
RBC36X26B/RBC36B26B: 44483401000001 - 44483401999999  
RBC36X26E: 44483501000001 - 44483501999999

se encuentra en conformidad con las siguientes Directivas Europeas y normas armonizadas  
2006/42/EC, 2014/30/EU, 2000/14/EC, 2005/88/EC, 2011/65/EU, EN 60335-1:2012+A11:2014, EN 50636-2-91:2014, EN 60745-1:2009+A11:2010, EN ISO 11806-1:2011, EN 55014-1:2006+A1:2009+A2:2011, EN 55014-2:1997+A1:2001+A2:2008, EN ISO 3744:2010, EN 50581:2012

Cortadora de maleza:  
Nivel de potencia acústica medido: 104.3 dB(A)  
Nivel de potencia acústica garantizado: 105 dB(A)  
Método de evaluación de conformidad con el anexo V Directiva 2000/14/EC modificada por la 2005/88/EC.  
Podadora:  
Nivel de potencia acústica medido: 93.5 dB(A)  
Nivel de potencia acústica garantizado: 95 dB(A)  
Método de evaluación de conformidad con el anexo VI Directiva 2000/14/EC modificada por la 2005/88/EC.

Organismo notificado:  
Société Nationale de Certification et d'Homologation (Notified Body 0499)  
2a. Kalchesbruck L-1852 Luxembourg

Andrew John Eyre (BEng, CEng, MIET)  
Vicepresidente, Director General de Normativa y Seguridad  
Winnenden, May, 27, 2016

Autorizado para elaborar la ficha técnica:  
Alexander Krug, Administrador Ejecutivo  
Techtronic Industries GmbH  
Max-Eyth-Straße 10, 71364 Winnenden, Germany







## IT DICHIARAZIONE DI CONFORMITÀ EC

Techtronic Industries GmbH  
Max-Eyth-Straße 10, 71364 Winnenden, Germany

Si dichiara con la presente che il prodotto

Tagliabordi e decespugliatore senza fili  
Marca: Ryobi  
Numero modello: RBC36X26B/ RBC36X26E/ RBC36B26B  
Gamma numero seriale:  
RBC36X26B/RBC36B26B: 44483401000001 - 44483401999999  
RBC36X26E: 44483501000001 - 44483501999999

è conforme alle seguenti Direttive Europee e ai seguenti standard armonizzati

2006/42/EC, 2014/30/EU, 2000/14/EC, 2005/88/EC, 2011/65/EU, EN 60335-1:2012+A11:2014, EN 50636-2-91:2014, EN 60745-1:2009+A11:2010, EN ISO 11806-1:2011, EN 55014-1:2006+A1:2009+A2:2011, EN 55014-2:1997+A1:2001+A2:2008, EN ISO 3744:2010, EN 50581:2012

Decespugliatore:

Livello di potenza acustica misurato: 104.3 dB(A)  
Livello di potenza sonora garantita: 105 dB(A)  
Metodo di valutazione sulla conformità all'allegato V Direttiva 2000/14/EC modificata con la 2005/88/EC.

Tagliabordi:

Livello di potenza acustica misurato: 93.5 dB(A)  
Livello di potenza sonora garantita: 95 dB(A)  
Metodo di valutazione sulla conformità all'allegato VI Direttiva 2000/14/EC modificata con la 2005/88/EC.

L'ente notificato:

Société Nationale de Certification et d'Homologation (Notified Body 0499)  
2a. Kalchesbruck L-1852 Luxembourg



Andrew John Eyre (BEng, CEng, MIET)  
Vice-Presidente, Dipartimento Regolazioni & Sicurezza  
Winnenden, May, 27, 2016

Autorizzato per compilare il file tecnico:

Alexander Krug, Direttore Amministrativo  
Techtronic Industries GmbH  
Max-Eyth-Straße 10, 71364 Winnenden, Germany

## PT DECLARAÇÃO EC DE CONFORMIDADE

Techtronic Industries GmbH  
Max-Eyth-Straße 10, 71364 Winnenden, Germany

Pelo presente declaramos que os produtos

Roçadora e recortadora de fio eléctrica recarregável  
Marca: Ryobi  
Número do modelo: RBC36X26B/ RBC36X26E/ RBC36B26B  
Intervalo do número de série:  
RBC36X26B/RBC36B26B: 44483401000001 - 44483401999999  
RBC36X26E: 44483501000001 - 44483501999999

se encontra em conformidade com as seguintes Directivas Europeias e normas harmonizadas

2006/42/EC, 2014/30/EU, 2000/14/EC, 2005/88/EC, 2011/65/EU, EN 60335-1:2012+A11:2014, EN 50636-2-91:2014, EN 60745-1:2009+A11:2010, EN ISO 11806-1:2011, EN 55014-1:2006+A1:2009+A2:2011, EN 55014-2:1997+A1:2001+A2:2008, EN ISO 3744:2010, EN 50581:2012

Corta-sebes:

Nível de potência sonora medido: 104.3 dB(A)  
Nível de potência sonora garantido: 105 dB(A)  
Método de avaliação de conformidade para o anexo V Diretiva 2000/14/EC alterada por 2005/88/EC.

Podador:

Nível de potência sonora medido: 93.5 dB(A)  
Nível de potência sonora garantido: 95 dB(A)  
Método de avaliação de conformidade para o anexo VI Diretiva 2000/14/EC alterada por 2005/88/EC.

Organismo notificado:

Société Nationale de Certification et d'Homologation (Notified Body 0499)  
2a. Kalchesbruck L-1852 Luxembourg



Andrew John Eyre (BEng, CEng, MIET)  
Vice-Presidente, Regulação & Segurança  
Winnenden, May, 27, 2016

Autorizado para compilar o ficheiro técnico:

Alexander Krug, Administrador Executivo  
Techtronic Industries GmbH  
Max-Eyth-Straße 10, 71364 Winnenden, Germany



## NL EC CONFORMITEITSVERKLARING

Techtronic Industries GmbH  
Max-Eyth-Straße 10, 71364 Winnenden, Germany

Hierbij verklaren wij dat het product

Accubosmaaier en -grastimmer  
Merk: Ryobi  
Modelnummer: RBC36X26B/ RBC36X26E/ RBC36B26B  
Serienummerbereik:  
RBC36X26B/RBC36B26B: 44483401000001 - 44483401999999  
RBC36X26E: 44483501000001 - 44483501999999

is in overeenstemming met de volgende Europese Richtlijnen en geharmoniseerde normen

2006/42/EC, 2014/30/EU, 2000/14/EC, 2005/88/EC, 2011/65/EU, EN 60335-1:2012+A11:2014, EN 50636-2-91:2014, EN 60745-1:2009+A11:2010, EN ISO 11806-1:2011, EN 55014-1:2006+A1:2009+A2:2011, EN 55014-2:1997+A1:2001+A2:2008, EN ISO 3744:2010, EN 50581:2012

Bosmaaier:

Gemeten geluidsniveau: 104.3 dB(A)  
Gegarandeerd geluidsniveau: 105 dB(A)  
Evaluatiemethode conformiteit volgens bijlage V Richtlijn 2000/14/EC gewijzigd door 2005/88/EC.

Lijntimmer:

Gemeten geluidsniveau: 93.5 dB(A)  
Gegarandeerd geluidsniveau: 95 dB(A)  
Evaluatiemethode conformiteit volgens bijlage VI Richtlijn 2000/14/EC gewijzigd door 2005/88/EC.

De aangemelde instantie:

Société Nationale de Certification et d'Homologation (Notified Body 0499)  
2a. Kalchesbruck L-1852 Luxembourg



Andrew John Eyre (BEng, CEng, MIET)  
Vice-president, Regelgeving en veiligheid  
Winnenden, May, 27, 2016

Afgevaardigde voor het samenstellen van de technische fiche:

Alexander Krug, Directeur  
Techtronic Industries GmbH  
Max-Eyth-Straße 10, 71364 Winnenden, Germany



## DA EC OVERENSSTEMMELSESRKLÆRING

Techtronic Industries GmbH  
Max-Eyth-Straße 10, 71364 Winnenden, Germany

Vi erklærer hermed, at produktet

Ledningsfri buskrydder og kantrimmer  
Brand: Ryobi  
Modelnummer: RBC36X26B/ RBC36X26E/ RBC36B26B  
Serienummerområde:  
RBC36X26B/RBC36B26B: 44483401000001 - 44483401999999  
RBC36X26E: 44483501000001 - 44483501999999

er i overensstemmelse med følgende EU-direktiver og harmoniserede standarder

2006/42/EC, 2014/30/EU, 2000/14/EC, 2005/88/EC, 2011/65/EU, EN 60335-1:2012+A11:2014, EN 50636-2-91:2014, EN 60745-1:2009+A11:2010, EN ISO 11806-1:2011, EN 55014-1:2006+A1:2009+A2:2011, EN 55014-2:1997+A1:2001+A2:2008, EN ISO 3744:2010, EN 50581:2012

Buskrydder:

Målt støjniveau: 104.3 dB(A)  
Garanteret støjniveau: 105 dB(A)  
Overensstemmelsesvurderingsmetode til bilag V Direktiv 2000/14/EC ændret ved 2005/88/EC.

Græstimmer:

Målt støjniveau: 93.5 dB(A)  
Garanteret støjniveau: 95 dB(A)  
Overensstemmelsesvurderingsmetode til bilag VI Direktiv 2000/14/EC ændret ved 2005/88/EC.

Relevant godkendelsesinstans:

Société Nationale de Certification et d'Homologation (Notified Body 0499)  
2a. Kalchesbruck L-1852 Luxembourg



Andrew John Eyre (BEng, CEng, MIET)  
Vicepræsident, regler og sikkerhed  
Winnenden, May, 27, 2016

Bemyndiget til at udarbejde det tekniske kartotek:

Alexander Krug, Administrerende Direktør  
Techtronic Industries GmbH  
Max-Eyth-Straße 10, 71364 Winnenden, Germany





## SV EC-KONFORMITETSDEKLARATION

Techtronic Industries GmbH  
Max-Eyth-Straße 10, 71364 Winnenden, Germany

### Härmed deklarerar vi att produkterna

Trädslös röjsåg och grässtrimmer  
Märke: Ryobi  
Modellnummer: RBC36X26B/ RBC36X26E/ RBC36B26B  
Serienummerintervall:  
RBC36X26B/RBC36B26B: 44483401000001 - 44483401999999  
RBC36X26E: 44483501000001 - 44483501999999

### är i enlighet med följande EU-direktiv och harmoniserade standarder

2006/42/EC, 2014/30/EU, 2000/14/EC, 2005/88/EC, 2011/65/EU, EN 60335-1:2012+A11:2014, EN 50636-2-91:2014, EN 60745-1:2009+A11:2010, EN ISO 11806-1:2011, EN 55014-1:2006+A1:2009+A2:2011, EN 55014-2:1997+A1:2001+A2:2008, EN ISO 3744:2010, EN 50581:2012

### Röjsåg:

Uppmått ljudeffektnivå: 104.3 dB(A)  
Garanterad ljudeffektnivå: 105 dB(A)  
Konformitetsbedömning gjord enligt metod i V Direktiv 2000/14/EC samt tilläggen i 2005/88/EC.

### Grässtrimmer:

Uppmått ljudeffektnivå: 93.5 dB(A)  
Garanterad ljudeffektnivå: 95 dB(A)  
Konformitetsbedömning gjord enligt metod i VI Direktiv 2000/14/EC samt tilläggen i 2005/88/EC.

### Myndigheten:

Société Nationale de Certification et d'Homologation (Notified Body 0499)  
2a. Kalchesbruck L-1852 Luxembourg



Andrew John Eyre (BEng, CEng, MIET)  
Vice President, regelverk och säkerhet  
Winnenden, May, 27, 2016

### Godkänt att sammanställa den tekniska filen:

Alexander Krug, VD  
Techtronic Industries GmbH  
Max-Eyth-Straße 10, 71364 Winnenden, Germany

## NO EC-SAMSVARERKLÆRING

Techtronic Industries GmbH  
Max-Eyth-Straße 10, 71364 Winnenden, Germany

### Herved erklærer vi at produktet

Batteridrevet buskkutter og kantklipper  
Märke: Ryobi  
Modellnummer: RBC36X26B/ RBC36X26E/ RBC36B26B  
Serienummerserie:  
RBC36X26B/RBC36B26B: 44483401000001 - 44483401999999  
RBC36X26E: 44483501000001 - 44483501999999

### er i samsvar med følgende europeiske direktiver og harmoniserte standarder

2006/42/EC, 2014/30/EU, 2000/14/EC, 2005/88/EC, 2011/65/EU, EN 60335-1:2012+A11:2014, EN 50636-2-91:2014, EN 60745-1:2009+A11:2010, EN ISO 11806-1:2011, EN 55014-1:2006+A1:2009+A2:2011, EN 55014-2:1997+A1:2001+A2:2008, EN ISO 3744:2010, EN 50581:2012

### Krattrydder:

Målt lydteffektivitet: 104.3 dB(A)  
Garantert lydteffektivitet: 105 dB(A)  
Metode for vurdering av konformitet til Tillegg V Direktiv 2000/14/EC endret ved 2005/88/EC.

### Trådtrimmer:

Målt lydteffektivitet: 93.5 dB(A)  
Garantert lydteffektivitet: 95 dB(A)  
Metode for vurdering av konformitet til Tillegg VI Direktiv 2000/14/EC endret ved 2005/88/EC.

### Teknisk kontrollorgan:

Société Nationale de Certification et d'Homologation (Notified Body 0499)  
2a. Kalchesbruck L-1852 Luxembourg



Andrew John Eyre (BEng, CEng, MIET)  
Visepresident, forskrifter og sikkerhet  
Winnenden, May, 27, 2016

### Autorisert til å sette sammen den tekniske filen:

Alexander Krug, Administrerende Direktør  
Techtronic Industries GmbH  
Max-Eyth-Straße 10, 71364 Winnenden, Germany



## FI EC-SÄÄNNÖSTEN NOUDATTAMINEN

Techtronic Industries GmbH  
Max-Eyth-Straße 10, 71364 Winnenden, Germany

### Ilmoitamme täten, että tuotteet

Johdoton raivaussaha ja trimmeri  
Tuotemerkki: Ryobi  
Mallinumero: RBC36X26B/ RBC36X26E/ RBC36B26B  
Sarjanumerosalue:  
RBC36X26B/RBC36B26B: 44483401000001 - 44483401999999  
RBC36X26E: 44483501000001 - 44483501999999

### noudattaa seuraavia EU-direktiivejä ja harmonoituja standardeja

2006/42/EC, 2014/30/EU, 2000/14/EC, 2005/88/EC, 2011/65/EU, EN 60335-1:2012+A11:2014, EN 50636-2-91:2014, EN 60745-1:2009+A11:2010, EN ISO 11806-1:2011, EN 55014-1:2006+A1:2009+A2:2011, EN 55014-2:1997+A1:2001+A2:2008, EN ISO 3744:2010, EN 50581:2012

### Ruuhoraivuri:

Mitattu äänenteho: 104.3 dB(A)  
Taattu äänenteho: 105 dB(A)  
Säännösten noudattaminen tarkastettu direktiivin 2000/14/EC liitteen V mukaisesti muunnettu direktiivillä 2005/88/EC.

### Simatrimmerin:

Mitattu äänenteho: 93.5 dB(A)  
Taattu äänenteho: 95 dB(A)  
Säännösten noudattaminen tarkastettu direktiivin 2000/14/EC liitteen VI mukaisesti muunnettu direktiivillä 2005/88/EC.

### Ilmoittava elin:

Société Nationale de Certification et d'Homologation (Notified Body 0499)  
2a. Kalchesbruck L-1852 Luxembourg



Andrew John Eyre (BEng, CEng, MIET)  
Varatoimitusjohtaja, säästösten mukaisuus ja turvallisuus  
Winnenden, May, 27, 2016

### Valtutettu kokoamaan tekninen tiedosto:

Alexander Krug, Toimitusjohtaja  
Techtronic Industries GmbH  
Max-Eyth-Straße 10, 71364 Winnenden, Germany



## RU ЗАЯВЛЕНИЕ О СООТВЕТСТВИИ ТРЕБОВАНИЯМ ЕС

Techtronic Industries GmbH  
Max-Eyth-Straße 10, 71364 Winnenden, Germany

### Настоящим мы заявляем, что данный продукт

Беспроводной кусторез и триммер  
Марка: Ryobi  
Номер моде ли: RBC36X26B/ RBC36X26E/ RBC36B26B  
Диапазон заводских номеров:  
RBC36X26B/RBC36B26B: 44483401000001 - 44483401999999  
RBC36X26E: 44483501000001 - 44483501999999

### соответствует требованиям следующих Директив ЕС и согласованных стандартов

2006/42/EC, 2014/30/EU, 2000/14/EC, 2005/88/EC, 2011/65/EU, EN 60335-1:2012+A11:2014, EN 50636-2-91:2014, EN 60745-1:2009+A11:2010, EN ISO 11806-1:2011, EN 55014-1:2006+A1:2009+A2:2011, EN 55014-2:1997+A1:2001+A2:2008, EN ISO 3744:2010, EN 50581:2012

### Кустореза:

Измеренный уровень звуковой мощности: 104.3 dB(A)  
Гарантируемый уровень звуковой мощности: 105 dB(A)  
Способ оценки соответствия, приложение V к директиве 2000/14/EC с изменениями 2005/88/EC.

### Триммер:

Измеренный уровень звуковой мощности: 93.5 dB(A)  
Гарантируемый уровень звуковой мощности: 95 dB(A)  
Способ оценки соответствия, приложение VI к директиве 2000/14/EC с изменениями 2005/88/EC.

### Нотифицированная организация:

Société Nationale de Certification et d'Homologation (Notified Body 0499)  
2a. Kalchesbruck L-1852 Luxembourg



Andrew John Eyre (BEng, CEng, MIET)  
Вице-президент по технике безопасности и стандартам  
Winnenden, May, 27, 2016

### Лицо, ответственное за подготовку технической документации:

Alexander Krug, Директор  
Techtronic Industries GmbH  
Max-Eyth-Straße 10, 71364 Winnenden, Germany







## PL DEKLARACJA ZGODNOŚCI EC

Techtronic Industries GmbH  
Max-Eyth-Straße 10, 71364 Winnenden, Germany

### Niniejszym deklarujem, że produkty

Bezprzewodowa przycinka do żywoplotu i podkaszarka żyłkowa  
Marka: Ryobi  
Numer modelu: RBC36X26B/ RBC36X26E/ RBC36B26B  
Zakres numerów seryjnych:  
RBC36X26B/RBC36B26B: 44483401000001 - 44483401999999  
RBC36X26E: 44483501000001 - 44483501999999

jest zgodny z następującymi dyrektywami europejskimi i zharmonizowanymi normami  
2006/42/EC, 2014/30/EU, 2000/14/EC, 2005/88/EC, 2011/65/EU, EN 60335-1:2012+A11:2014, EN 50636-2-91:2014, EN 60745-1:2009+A11:2010, EN ISO 11806-1:2011, EN 55014-1:2006+A1:2009+A2:2011, EN 55014-2:1997+A1:2001+A2:2008, EN ISO 3744:2010, EN 50581:2012

### Ścinacz krzewów:

Zmierzony poziom natężenia hałasu: 104.3 dB(A)  
Maksymalny poziom natężenia hałasu: 105 dB(A)  
Metoda ocena zgodności zgodnie z aneksem V Dyrektywa 2000/14/EC zmieniona przez dyrektywę 2005/88/EC.

### Podkaszarki:

Zmierzony poziom natężenia hałasu: 93.5 dB(A)  
Maksymalny poziom natężenia hałasu: 95 dB(A)  
Metoda ocena zgodności zgodnie z aneksem VI Dyrektywa 2000/14/EC zmieniona przez dyrektywę 2005/88/EC.

### Jednostka notyfikowana:

Société Nationale de Certification et d'Homologation (Notified Body 0499)  
2a, Kalchesbruck L-1852 Luxembourg

Andrew John Eyre (BEng, CEng, MIET)  
Wiceprezes ds. zgodności prawnej i bezpieczeństwa  
Winnenden, May, 27, 2016

### Osoba upoważniona do sporządzenia dokumentu technicznego:

Alexander Krug, Dyrektor Zarządzający  
Techtronic Industries GmbH  
Max-Eyth-Straße 10, 71364 Winnenden, Germany

## HU EC MEGFELELŐSÉGI NYILATKOZAT

Techtronic Industries GmbH  
Max-Eyth-Straße 10, 71364 Winnenden, Germany

### Ezúton kijelentjük, hogy a termékek

Akkumulátoros bozót- és szegélyvágó  
Márka: Ryobi  
Típuszám: RBC36X26B/ RBC36X26E/ RBC36B26B  
Sorozatszám tartomány:  
RBC36X26B/RBC36B26B: 44483401000001 - 44483401999999  
RBC36X26E: 44483501000001 - 44483501999999

megfelel az alábbi Európai Irányelvek és harmonizált szabványok vonatkozó rendelkezéseinek

2006/42/EC, 2014/30/EU, 2000/14/EC, 2005/88/EC, 2011/65/EU, EN 60335-1:2012+A11:2014, EN 50636-2-91:2014, EN 60745-1:2009+A11:2010, EN ISO 11806-1:2011, EN 55014-1:2006+A1:2009+A2:2011, EN 55014-2:1997+A1:2001+A2:2008, EN ISO 3744:2010, EN 50581:2012

### Bozótvágó motoros kasza:

Mért hangteljesítményszint: 104.3 dB(A)  
Garantált hangteljesítményszint: 105 dB(A)  
A megfelelőségi értékelési eljárás a 2000/14/EC irányelv V. függeléke szerint történt által módosított 2005/88/EC irányelv.

### Szegélyvágó:

Mért hangteljesítményszint: 93.5 dB(A)  
Garantált hangteljesítményszint: 95 dB(A)  
A megfelelőségi értékelési eljárás a 2000/14/EC irányelv VI. függeléke szerint történt által módosított 2005/88/EC irányelv.

### A következő tanúsító testület:

Société Nationale de Certification et d'Homologation (Notified Body 0499)  
2a, Kalchesbruck L-1852 Luxembourg

Andrew John Eyre (BEng, CEng, MIET)  
Alelnök, Megfelelőségi és biztonsági területék  
Winnenden, May, 27, 2016

### A műszaki dokumentáció összeállítására felhatalmazott:

Alexander Krug, Ügyvezető Igazgató  
Techtronic Industries GmbH  
Max-Eyth-Straße 10, 71364 Winnenden, Germany



## CS PROHLÁŠENÍ O SHODĚ EC

Techtronic Industries GmbH  
Max-Eyth-Straße 10, 71364 Winnenden, Germany

### Tímto prohlašujeme, že výrobky

Bezdrátový křovinořez a vyžinač  
Značka: Ryobi  
Číslo modelu: RBC36X26B/ RBC36X26E/ RBC36B26B  
Rozsah sériových čísel:  
RBC36X26B/RBC36B26B: 44483401000001 - 44483401999999  
RBC36X26E: 44483501000001 - 44483501999999

### že tento výrobek je v souladu s evropskými a harmonizovanými standardy

2006/42/EC, 2014/30/EU, 2000/14/EC, 2005/88/EC, 2011/65/EU, EN 60335-1:2012+A11:2014, EN 50636-2-91:2014, EN 60745-1:2009+A11:2010, EN ISO 11806-1:2011, EN 55014-1:2006+A1:2009+A2:2011, EN 55014-2:1997+A1:2001+A2:2008, EN ISO 3744:2010, EN 50581:2012

### Křovinořez:

Změřená hladina akustického výkonu: 104.3 dB(A)  
Zaručená hladina akustického výkonu: 105 dB(A)  
Soulad s metodou určování pro přílohu V směrnice 2000/14/EC upravená 2005/88/EC.  
Vyžinač:

Změřená hladina akustického výkonu: 93.5 dB(A)  
Zaručená hladina akustického výkonu: 95 dB(A)  
Soulad s metodou určování pro přílohu VI směrnice 2000/14/EC upravená 2005/88/EC.

### Úředně oznámený orgán:

Société Nationale de Certification et d'Homologation (Notified Body 0499)  
2a, Kalchesbruck L-1852 Luxembourg

Andrew John Eyre (BEng, CEng, MIET)  
Viceprezident, normy a bezpečnost  
Winnenden, May, 27, 2016

### Pověření ke kompilaci technického souboru:

Alexander Krug, Generální Ředitel  
Techtronic Industries GmbH  
Max-Eyth-Straße 10, 71364 Winnenden, Germany



## RO DECLARAȚIE DE CONFORMITATE EC

Techtronic Industries GmbH  
Max-Eyth-Straße 10, 71364 Winnenden, Germany

### Prin prezenta, declarăm că produsele

Motocoasă cu lamă și fir, cu acumulator  
Marca: Ryobi  
Număr serie: RBC36X26B/ RBC36X26E/ RBC36B26B  
Gamă număr serie:  
RBC36X26B/RBC36B26B: 44483401000001 - 44483401999999  
RBC36X26E: 44483501000001 - 44483501999999

### este în conformitate cu următoarele Directive Europene și standarde armonizate

2006/42/EC, 2014/30/EU, 2000/14/EC, 2005/88/EC, 2011/65/EU, EN 60335-1:2012+A11:2014, EN 50636-2-91:2014, EN 60745-1:2009+A11:2010, EN ISO 11806-1:2011, EN 55014-1:2006+A1:2009+A2:2011, EN 55014-2:1997+A1:2001+A2:2008, EN ISO 3744:2010, EN 50581:2012

### Aparat pentru tuns tușur:

Nivelul măsurat al puterii acustice: 104.3 dB(A)  
Nivel garantat al puterii acustice: 105 dB(A)  
Metoda de evaluare a conformității cu Anexa V Directiva 2000/14/EC modificată prin 2005/88/EC.

### Szegélyvágó:

Nivelul măsurat al puterii acustice: 93.5 dB(A)  
Nivel garantat al puterii acustice: 95 dB(A)  
Metoda de evaluare a conformității cu Anexa VI Directiva 2000/14/EC modificată prin 2005/88/EC.

### Organismul notificat:

Société Nationale de Certification et d'Homologation (Notified Body 0499)  
2a, Kalchesbruck L-1852 Luxembourg

Andrew John Eyre (BEng, CEng, MIET)  
Vicepreședintele, reglementare & siguranță  
Winnenden, May, 27, 2016

### Autorizat să completeze fișa tehnică:

Alexander Krug, Director General  
Techtronic Industries GmbH  
Max-Eyth-Straße 10, 71364 Winnenden, Germany



## LV EC ATBILSTĪBAS DEKLARĀCIJA

Techtronic Industries GmbH  
Max-Eyth-Straße 10, 71364 Winnenden, Germany

### Ar šo paziņojam, ka produkti

Bezvadu krūmgriezis un auklas trimmeris  
Zīmols: Ryobi  
Modeļa numurs: RBC36X26B/ RBC36X26E/ RBC36B26B Sērijas  
numura intervāls:  
RBC36X26B/RBC36B26B: 44483401000001 - 44483401999999  
RBC36X26E: 44483501000001 - 44483501999999

### atbilst šādām Eiropas direktīvām un saskaņotajiem standartiem

2006/42/EC, 2014/30/EU, 2000/14/EC, 2005/88/EC, 2011/65/EU, EN 60335-1:2012+A11:2014, EN 50636-2-91:2014, EN 60745-1:2009+A11:2010, EN ISO 11806-1:2011, EN 55014-1:2006+A1:2009+A2:2011, EN 55014-2:1997+A1:2001+A2:2008, EN ISO 3744:2010, EN 50581:2012

### Krūmgriezis:

Izmērītās skaņas jaudas līmenis: 104,3 dB(A)  
Garantētais skaņas intensitātes līmenis: 105 dB(A)  
Atbilstības novērtēšanas metode pielikumam V Direktīvai 2000/14/EC labota 2005/88/EC.

### Auklas trimmera:

Izmērītās skaņas jaudas līmenis: 93,5 dB(A)  
Garantētais skaņas intensitātes līmenis: 95 dB(A)  
Atbilstības novērtēšanas metode pielikumam VI Direktīvai 2000/14/EC labota 2005/88/EC.

### Pilnvarotā iestāde:

Société Nationale de Certification et d'Homologation (Notified Body 0499)  
2a, Kalchesbruck L-1852 Luxembourg



Andrew John Eyre (BEng, CEng, MIET)  
Viceprezidents, darba drošības noteikumi  
Winnenden, May, 27, 2016

### Pilnvarots sastādīt tehnisko failu:

Alexander Krug, Izpilddirektors  
Techtronic Industries GmbH  
Max-Eyth-Straße 10, 71364 Winnenden, Germany

## ET EC VASTAVUSDEKLARATSIOON

Techtronic Industries GmbH  
Max-Eyth-Straße 10, 71364 Winnenden, Germany

### Kinnitame, et see toode

Akutoitega võsalõikur ja jõhvtrimmer  
Mark: Ryobi  
Mudeli number: RBC36X26B/ RBC36X26E/ RBC36B26B  
Seerianumbri vahemik:  
RBC36X26B/RBC36B26B: 44483401000001 - 44483401999999  
RBC36X26E: 44483501000001 - 44483501999999

### vastab järgmistele Euroopa direktiividele ja harmoniseeritud standarditele

2006/42/EC, 2014/30/EU, 2000/14/EC, 2005/88/EC, 2011/65/EU, EN 60335-1:2012+A11:2014, EN 50636-2-91:2014, EN 60745-1:2009+A11:2010, EN ISO 11806-1:2011, EN 55014-1:2006+A1:2009+A2:2011, EN 55014-2:1997+A1:2001+A2:2008, EN ISO 3744:2010, EN 50581:2012

### Võsalõikur:

Mõõdetud helivõimsuse tase: 104,3 dB(A)  
Garanteeritud helivõimsuse tase: 105 dB(A)  
Vastavushindamine vastavalt lisale V direktiivis 2000/14/EC muudetud direktiiviga 2005/88/EC.

### Jõhvtrimmeri:

Mõõdetud helivõimsuse tase: 93,5 dB(A)  
Garanteeritud helivõimsuse tase: 95 dB(A)  
Vastavushindamine vastavalt lisale VI direktiivis 2000/14/EC muudetud direktiiviga 2005/88/EC.

### Tunnustatud asutus:

Société Nationale de Certification et d'Homologation (Notified Body 0499)  
2a, Kalchesbruck L-1852 Luxembourg



Andrew John Eyre (BEng, CEng, MIET)  
Asepresident standardiseerimise ja ohutuse alal  
Winnenden, May, 27, 2016

### Tehnilise faili koostamiseks volitatud isik:

Alexander Krug, Tegevdirektor  
Techtronic Industries GmbH  
Max-Eyth-Straße 10, 71364 Winnenden, Germany



## LT EC ATITIKTIES DEKLARACIJA

Techtronic Industries GmbH  
Max-Eyth-Straße 10, 71364 Winnenden, Germany

### Mes pareiškiame, kad šie produktai

Belaidė neįsiojamių krūmapjovė ir žoliapjovė  
Prekės ženklas: Ryobi  
Modelio numeris: RBC36X26B/ RBC36X26E/ RBC36B26B  
Serijinio numerio diapazonas:  
RBC36X26B/RBC36B26B: 44483401000001 - 44483401999999  
RBC36X26E: 44483501000001 - 44483501999999

### pagamintas laikantis toliau nurodytųjų Europos Direktyvų ir darniųjų standartų

2006/42/EC, 2014/30/EU, 2000/14/EC, 2005/88/EC, 2011/65/EU, EN 60335-1:2012+A11:2014, EN 50636-2-91:2014, EN 60745-1:2009+A11:2010, EN ISO 11806-1:2011, EN 55014-1:2006+A1:2009+A2:2011, EN 55014-2:1997+A1:2001+A2:2008, EN ISO 3744:2010, EN 50581:2012

### Krūmapjovė:

Išmatuotas akustinis lygis: 104,3 dB(A)  
Garantuotas akustinis lygis: 105 dB(A)  
Atitikties įvertinimo metodas pagal direktyvos 2000/14/EC, V Priedą su pataisomis 2005/88/EC.

### Lynnio trimmerio:

Išmatuotas akustinis lygis: 93,5 dB(A)  
Garantuotas akustinis lygis: 95 dB(A)  
Atitikties įvertinimo metodas pagal direktyvos 2000/14/EC, VI Priedą su pataisomis 2005/88/EC.

### Notifikuotoji institucija

Société Nationale de Certification et d'Homologation (Notified Body 0499)  
2a, Kalchesbruck L-1852 Luxembourg



Andrew John Eyre (BEng, CEng, MIET)  
Kontrolės ir saugos viceprezidentas  
Winnenden, May, 27, 2016

### Išgiotais sudaryti techninį failą:

Alexander Krug, Generalinis Direktorius  
Techtronic Industries GmbH  
Max-Eyth-Straße 10, 71364 Winnenden, Germany



## HR EC IZJAVA O USKLADENOSTI

Techtronic Industries GmbH  
Max-Eyth-Straße 10, 71364 Winnenden, Germany

### Ovime izjavljujemo da su proizvodi

Bežični rezač gmlja i trimmer s reznom nit  
Marka: Ryobi  
Broj modela: RBC36X26B/ RBC36X26E/ RBC36B26B  
Raspon serijskog broja:  
RBC36X26B/RBC36B26B: 44483401000001 - 44483401999999  
RBC36X26E: 44483501000001 - 44483501999999

### uskladen sa sljedećim Europskim Direktivama i usklađenim normama

2006/42/EC, 2014/30/EU, 2000/14/EC, 2005/88/EC, 2011/65/EU, EN 60335-1:2012+A11:2014, EN 50636-2-91:2014, EN 60745-1:2009+A11:2010, EN ISO 11806-1:2011, EN 55014-1:2006+A1:2009+A2:2011, EN 55014-2:1997+A1:2001+A2:2008, EN ISO 3744:2010, EN 50581:2012

### Rezača gmlja:

Izmjerena razina zvučne snage: 104,3 dB(A)  
Jamčena razina zvučne snage: 105 dB(A)  
Metoda procjene usklađenosti prema Dodatku V Direktive 2000/14/EC navedeno u 2005/88/EC.

### Trimer:

Izmjerena razina zvučne snage: 93,5 dB(A)  
Jamčena razina zvučne snage: 95 dB(A)  
Metoda procjene usklađenosti prema Dodatku VI Direktive 2000/14/EC navedeno u 2005/88/EC.

### Nadležno tijelo:

Société Nationale de Certification et d'Homologation (Notified Body 0499)  
2a, Kalchesbruck L-1852 Luxembourg



Andrew John Eyre (BEng, CEng, MIET)  
Potpredsjednik za pravila i sigurnost  
Winnenden, May, 27, 2016

### Ovlašten da sastavi tehničku datoteku:

Alexander Krug, Direktor Upravljanja  
Techtronic Industries GmbH  
Max-Eyth-Straße 10, 71364 Winnenden, Germany





## SL IZJAVA EC O SKLADNOSTI

Techtronic Industries GmbH  
Max-Eyth-Straße 10, 71364 Winnenden, Germany

### Izjavljamo, da je izdelek

Brezžični obrezovalnik grmičevja in kosilnica z vrstico Znamka:  
Ryobi  
Številka modela: RBC36X26B/ RBC36X26E/ RBC36B26B  
Razpon serijskih števil:  
RBC36X26B/RBC36B26B: 44483401000001 - 44483401999999  
RBC36X26E: 44483501000001 - 44483501999999

### v skladu s sledečimi evropskimi direktivami in harmoniziranimi standardi

2006/42/EC, 2014/30/EU, 2000/14/EC, 2005/88/EC, 2011/65/EU, EN 60335-1:2012+A11:2014, EN 50636-2-91:2014, EN 60745-1:2009+A11:2010, EN ISO 11806-1:2011, EN 55014-1:2006+A1:2009+A2:2011, EN 55014-2:1997+A1:2001+A2:2008, EN ISO 3744:2010, EN 50581:2012

### Rezalnica grmovja:

Izmerjena raven zvočne moči: 104.3 dB(A)  
Zajamčena raven zvočne moči: 105 dB(A)  
Način ugotavljanja skladnosti z aneksom V direktive 2000/14/EC ki je bila spremenjena z 2005/88/EC.

### Linija prirerzovalnik:

Izmerjena raven zvočne moči: 93.5 dB(A)  
Zajamčena raven zvočne moči: 95 dB(A)  
Način ugotavljanja skladnosti z aneksom VI direktive 2000/14/EC ki je bila spremenjena z 2005/88/EC.

### Priglašeni organ:

Société Nationale de Certification et d'Homologation (Notified Body 0499)  
2a, Kalchesbruck L-1852 Luxembourg



Andrew John Eyre (BEng, CEng, MIET)  
Podpredsednik, zakonodajne in varnostne zadeve  
Winnenden, May, 27, 2016

### Pooblaščen oseba za sestavo tehnične dokumentacije:

Alexander Krug, Izvršni Direktor  
Techtronic Industries GmbH  
Max-Eyth-Straße 10, 71364 Winnenden, Germany

## BG ЕС ДЕКЛАРАЦИЯ НА ЗА СЪОТВЕТСТВИЕ

Techtronic Industries GmbH  
Max-Eyth-Straße 10, 71364 Winnenden, Germany

### C настоящо декларираме, че продуктите

Безжичен храксторез и тример  
Марка: Ryobi  
Номер на моде ла: RBC36X26B/ RBC36X26E/ RBC36B26B  
Обхват на серийни номера:  
RBC36X26B/RBC36B26B: 44483401000001 - 44483401999999  
RBC36X26E: 44483501000001 - 44483501999999

### отговаря на следните директиви на ЕС и хармонизирани стандарти

2006/42/EC, 2014/30/EU, 2000/14/EC, 2005/88/EC, 2011/65/EU, EN 60335-1:2012+A11:2014, EN 50636-2-91:2014, EN 60745-1:2009+A11:2010, EN ISO 11806-1:2011, EN 55014-1:2006+A1:2009+A2:2011, EN 55014-2:1997+A1:2001+A2:2008, EN ISO 3744:2010, EN 50581:2012

### Храксторез:

Измерено ниво на шум: 104.3 dB(A)  
Гарантирано ниво на шум: 105 dB(A)  
Метод за оценяване на съответствието с приложение V Директива 2000/14/EC, изменена от 2005/88/EC.

### Тример:

Измерено ниво на шум: 93.5 dB(A)  
Гарантирано ниво на шум: 95 dB(A)  
Метод за оценяване на съответствието с приложение VI Директива 2000/14/EC, изменена от 2005/88/EC.

### Нотифициран орган:

Société Nationale de Certification et d'Homologation (Notified Body 0499)  
2a, Kalchesbruck L-1852 Luxembourg



Andrew John Eyre (BEng, CEng, MIET)  
Вицепрезидент, регулаторната и безопасност  
Winnenden, May, 27, 2016

### Упълномощено лице за съставяне на техническия файл:

Alexander Krug, Изпълнителен Директор  
Techtronic Industries GmbH  
Max-Eyth-Straße 10, 71364 Winnenden, Germany



## SK PREHLÁSENIE O ZHODE EC

Techtronic Industries GmbH  
Max-Eyth-Straße 10, 71364 Winnenden, Germany

### Týmto vyhlasujeme, že výrobok

Akumulátorový krovinořez a strunová kosačka  
Značka: Ryobi  
Číslo modelu: RBC36X26B/ RBC36X26E/ RBC36B26B  
Rozsah sériových čísel:  
RBC36X26B/RBC36B26B: 44483401000001 - 44483401999999  
RBC36X26E: 44483501000001 - 44483501999999

### je v súlade s nasledujúcimi Európskymi smernicami a harmonizovanými normami

2006/42/EC, 2014/30/EU, 2000/14/EC, 2005/88/EC, 2011/65/EU, EN 60335-1:2012+A11:2014, EN 50636-2-91:2014, EN 60745-1:2009+A11:2010, EN ISO 11806-1:2011, EN 55014-1:2006+A1:2009+A2:2011, EN 55014-2:1997+A1:2001+A2:2008, EN ISO 3744:2010, EN 50581:2012

### Krovinořez:

Nameraná úroveň hluku: 104.3 dB(A)  
Garantovaná úroveň hluku: 105 dB(A)  
Spôsob určenia zhody podľa Dodatku V Smernica 2000/14/EC doplnená o 2005/88/EC.

### Drôtový orezávač:

Nameraná úroveň hluku: 93.5 dB(A)  
Garantovaná úroveň hluku: 95 dB(A)  
Spôsob určenia zhody podľa Dodatku VI Smernica 2000/14/EC doplnená o 2005/88/EC.

### Oboznámený orgán:

Société Nationale de Certification et d'Homologation (Notified Body 0499)  
2a, Kalchesbruck L-1852 Luxembourg



Andrew John Eyre (BEng, CEng, MIET)  
Viceprezident, Regulácia a bezpečnosť  
Winnenden, May, 27, 2016

### Oprávnená osoba na zostavenie technického súboru:

Alexander Krug, Generálny Riaditeľ  
Techtronic Industries GmbH  
Max-Eyth-Straße 10, 71364 Winnenden, Germany



## UK ДЕКЛАРАЦИЯ ПРО ВІДПОВІДНІСТЬ

Techtronic Industries GmbH  
Max-Eyth-Straße 10, 71364 Winnenden, Germany

### При цьому ми заявляємо, що продукт

Акумуляторний кушоріз і мотокоса  
Марка: Ryobi  
Номер моде лі: RBC36X26B/ RBC36X26E/ RBC36B26B  
Діапазон серійного номеру:  
RBC36X26B/RBC36B26B: 44483401000001 - 44483401999999  
RBC36X26E: 44483501000001 - 44483501999999

### у відповідності з наступними європейськими директивами та гармонізованими стандартами

2006/42/EC, 2014/30/EU, 2000/14/EC, 2005/88/EC, 2011/65/EU, EN 60335-1:2012+A11:2014, EN 50636-2-91:2014, EN 60745-1:2009+A11:2010, EN ISO 11806-1:2011, EN 55014-1:2006+A1:2009+A2:2011, EN 55014-2:1997+A1:2001+A2:2008, EN ISO 3744:2010, EN 50581:2012

### Кушоріз:

Вимірний рівень звукової потужності: 104.3 dB(A)  
Гарантований рівень звукової потужності: 105 dB(A)  
Метод оцінки відповідності Annex V Directive 2000/14/EC з поправками, внесеними 2005/88 / EC.

### Лінійний тример:

Вимірний рівень звукової потужності: 93.5 dB(A)  
Гарантований рівень звукової потужності: 95 dB(A)  
Метод оцінки відповідності Annex VI Directive 2000/14/EC з поправками, внесеними 2005/88 / EC.

### Вповноважений орган, що приймає участь у оцінюванні відповідності:

Société Nationale de Certification et d'Homologation (Notified Body 0499)  
2a, Kalchesbruck L-1852 Luxembourg



Andrew John Eyre (BEng, CEng, MIET)  
Вице-президент, регулювання і безпека  
Winnenden, May, 27, 2016

### Дозвіл на складання технічного файла:

Alexander Krug, Керуючий директор  
Techtronic Industries GmbH  
Max-Eyth-Straße 10, 71364 Winnenden, Germany











**Techtronic Industries GmbH**  
Max-Eyth-Straße 10,  
71364 Winnenden, Germany

960087166-01