

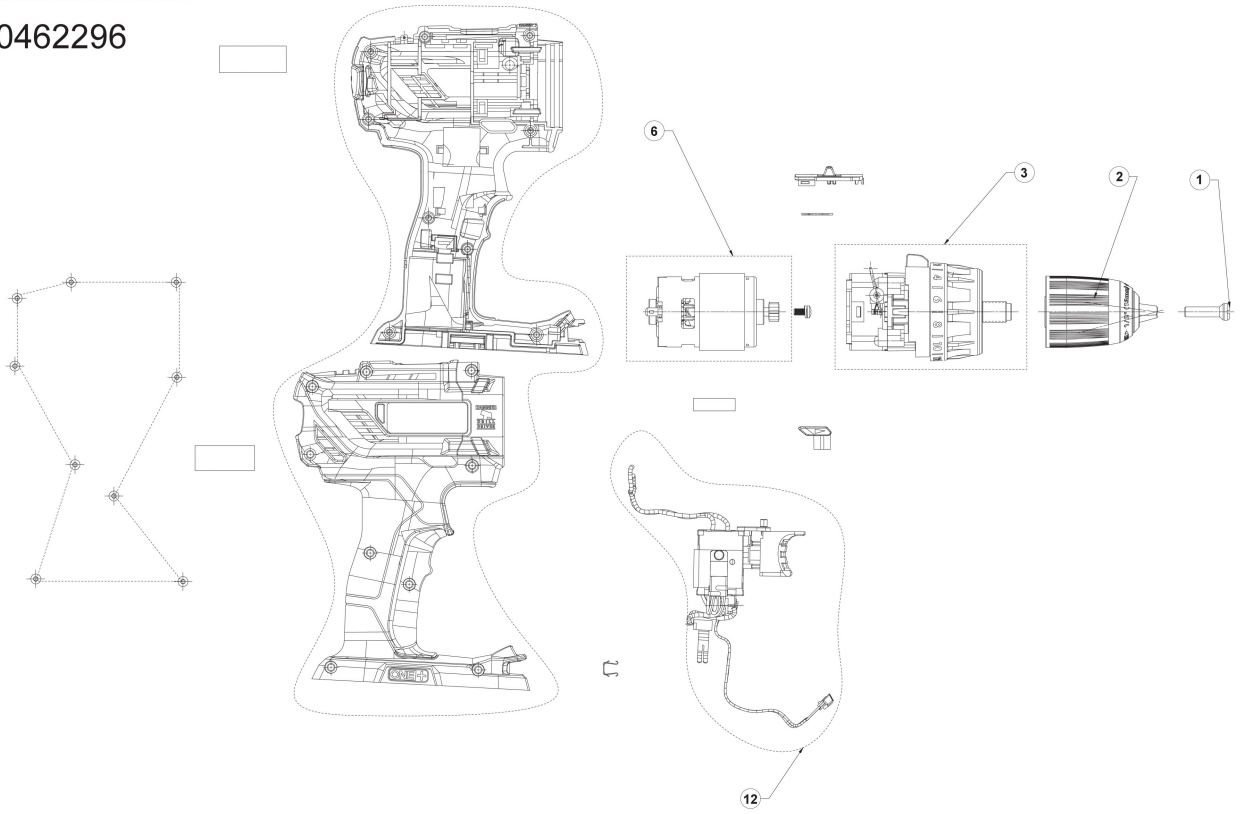
# R18PD31-225S 18V Perc Drill M Chuck IN2

5133003433 - R18PD31-225S - 4000462297





4000462296



<b>Position</b>	<b>Quantity</b>	<b>Description</b>	<b>Part number</b>	<b>EAN</b>
1001	1	SCREW	5131001845	4058546083502
1002	1	CHUCK	5131041003	4058546062675
1003	1	OFFSET GEAR	5131041007	4058546062712
1006	1	MOTOR	5131041005	4058546062699
1012	1	SWITCH	5131041006	4058546062705