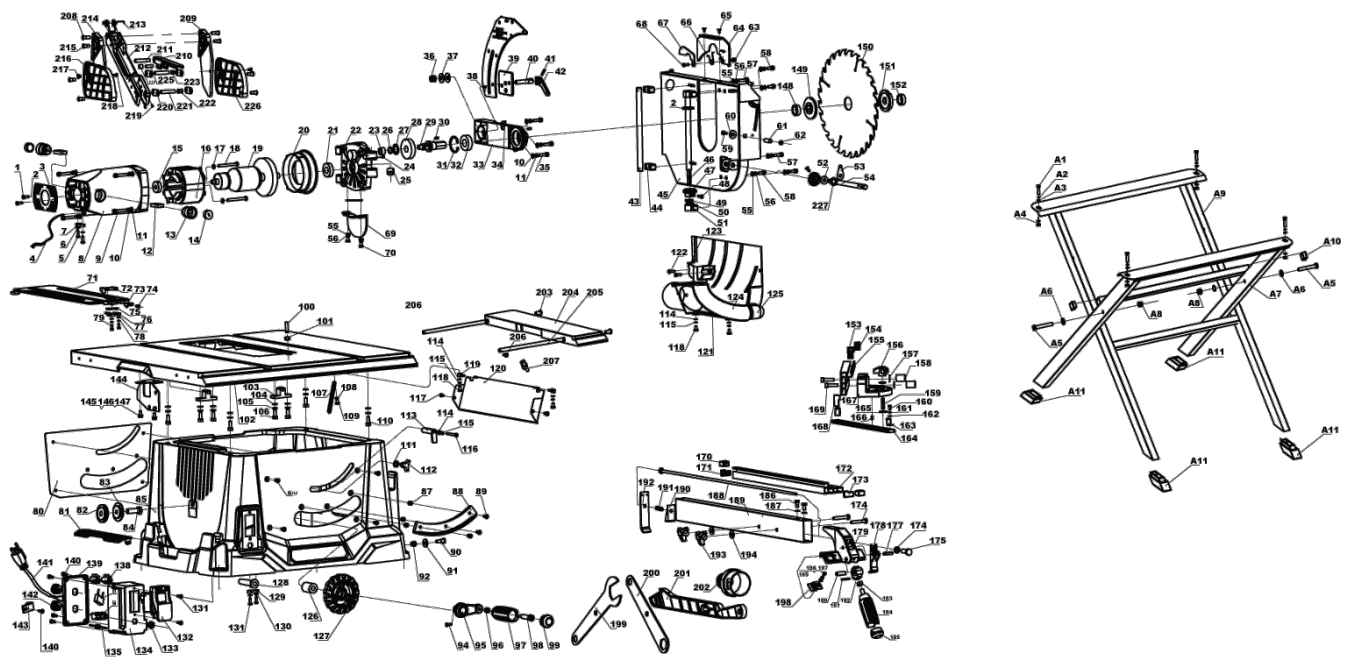


RTS1800ES 1800W TABLE SAW+STD IN2

5133002023 - RTS1800ES 1800W - 4000444245





Position	Quantity	Description	Part number	EAN
001	2	SCREW M4X8MM	5131032516	4058546136000
002	1	THREADED PIN M4X6	5131032517	4058546136017
003	1	MOTOR END COVER	5131000000	
004	1	MOTOR CORD VC3X1.0X590MM	5131032519	4058546136031
005	2	PAN HEAD TAPPING SCREW ST4.2X16	5131032520	4058546136048
006	2	SMALL WASHER DIA 4.3XDIA8X0.5T	5131032521	4058546136055
007	1	CORD CLAMP	5131032522	4058546136062
008	1	MOTOR HOUSING	5131032523	4058546136079
009	4	HEXAGON SOCKET CAP SCREW M5X35	5131032524	4058546136086
010	7	SPRING WASHER DIA 5	5131032525	4058546136093
011	7	FLAT WASHER DIA 5.3	5131032526	4058546136109
012	2	CARBON BRUSH	5131032527	4058546136116
013	2	BRUSH HOLDER	5131032528	4058546136123
014	2	BRUSH COVER	5131032529	4058546136130
015	1	DEEP GROOVE BALL BEARING 629-2Z	5131032530	4058546136147
016	1	STATOR ASSEMBLY	5131032531	4058546136154
017	2	FLAT WASHER DIA 5.5	5131000000	
018	2	PAN HEAD TAPPING SCREW ST4.8X65	5131000000	
019	1	ARMATURE ASSEMBLY	5131032534	4058546136185
020	1	AIR SEAL RING	5131032535	4058546136192
021	1	DEEP GROOVE BALL BEARING 6002-2Z	5131032536	4058546136208
022	1	GEAR BOX	5131032537	4058546136215
023	1	NEEDLE BEARING HK1010	5131032538	4058546136222
024	2	SCREW WITH FLAT POINT M5X6	5131032804	4058546138707
025	1	PRECISION SLIDING SLEEVE	5131032805	4058546138714
026	1	CIRCLIPS FOR SHAFT DIA 14	5131032541	4058546136253
027	1	WAVE SPRING WASHER DIA 14	5131032542	4058546136260
028	1	BIG GEAR 40CR	5131032543	4058546136277
029	1	OUTPUT SHAFT	5131032544	4058546136284
030	1	PARALLEL KEY 4X4X8	5131032545	4058546136291
031	1	CIRCLIPS FOR HOLE DIA 35	5131032546	4058546136307
032	1	DEEP GROOVE BALL BEARING 6003-2RS	5131032547	4058546136314
033	1	ACCEPTANCE	5131032548	4058546136321
034	2	PARALLEL PIN	5131032549	4058546136338
035	3	HEXAGON SOCKET CAP SCREW M5X18	5131032550	4058546136345
036	1	HEXAGON FULL NUT M8	5131032551	4058546136352
037	2	HEXAGON FULL NUT M8	5131032551	4058546136352
038	1	SPLITTING WEDGE	5131032553	4058546136376
039	1	PLATE	5131000000	
040	1	LOCK SHAFT	5131000000	
041	1	SPRING PINS,HEAVY TYPE DIA 4X18	5131000000	
042	1	LOCK HANDLE	5131000000	
043	1	GUIDE POST	5131032558	4058546136420
044	2	GUIDE PAD	5131032559	4058546136437
045	1	LOW BLADE GUARD	5131000000	
046	1	ADJUSTMENT ROD	5131032561	4058546136444
047	2	BEVEL GEAR	5131032562	4058546136451
048	2	PAN HEAD SCREW M4X20	5131032563	4058546136468
049	1	FRICTION WASHER A	5131032564	4058546136475
050	1	FRICTION WASHER	5131032806	4058546138721

Position	Quantité	Désignation	Référence	EAN
051	2	FIX BLOCK	5131032566	4058546136482
052	1	FRICTION WASHER B	5131032567	4058546136499
053	1	SPRING HANGER	5131032807	4058546138738
054	1	ADJUSTMENT ROD	5131032569	4058546136512
055	8	FLAT WASHER DIA 5.3	5131032526	4058546136109
056	8	SPRING WASHER DIA 5	5131032525	4058546136093
057	2	HEXGON SOCKET CAP SCREW M5X25	5131032572	4058546136543
058	4	HEXGON SOCKET CAP SCREW M5X16	5131032573	4058546136550
059	1	CARRIAGE BOLTS M6X50	5131000000	
060	3	WAVE SPRING WASHER DIA 8	5131000000	
061	1	SLEEVE	5131000000	
062	1	HEXAGON NUT M6	5131032577	4058546136598
063	1	HEXAGON FULL NUT M4	5131000000	
064	1	SCALEBOARD	5131000000	
065	2	HEAD TAPPING SCREW ST4.2X12	5131000000	
066	1	SPRING	5131000000	
067	1	SAFETY GUARD	5131000000	
068	1	PAN HEAD SCREW M4X12	5131000000	
069	1	LOW GUARD	5131000000	
070	2	PAN HEAD SCREW M5X12	5131032585	4058546136673
071	1	INSERT	5131032492	4058546135768
072	1	KEY	5131032587	4058546136697
073	1	INSERT	5131032588	4058546136703
074	1	SPRING	5131032589	4058546136710
075	1	LINKAGE	5131032590	4058546136727
076	1	PLATE	5131032591	4058546136734
077	2	SMALL WASHER DIA 4.3XDIA8X0.5T	5131032521	4058546136055
078	2	SPRING WASHER DIA 4	5131032593	4058546136758
079	2	PAN HEAD SCREW M4X10	5131032594	4058546136765
080	1	CABINET SCALEBOARD	5131032595	4058546136772
081	1	TOOL BOX COVER	5131000000	
082	1	BLADE STOCK KNOB	5131032597	4058546136796
083	1	WRENCH SEAT	5131032598	4058546136802
084	1	HEXAGON HEAD SCREW	5131000000	
085	1	CABINET	5131000000	
086	4	HEAD SCREW M4X6	5131000000	
087	3	HEXAGON FULL NUT M5	5131032602	4058546136833
088	1	RACK	5131032603	4058546136840
089	3	HEAD SCREW M5X14	5131000000	
090	1	SCREW	5131000000	
091	1	FLAT WASHER DIA,8XDIA,32X2	5131032679	4058546137571
092	3	HEXAGON FULL NUT M6	5131032808	4058546138745
093	4	CABINET FEET	5131032608	4058546136895
094	1	PAN HEAD SCREW M6X16	5131032610	4058546136918
095	1	HAND WHEEL ARM	5131032611	4058546136925
096	1	HEXAGON FULL NUT M6	5131032612	4058546136932
097	1	HANDLE	5131032613	4058546136949
098	1	HANDLE SCREW	5131032614	4058546136956
099	1	HANDLE COVER	5131032615	4058546136963
100	2	SCREW WITH FLAT POINT M6X25	5131032616	4058546136970

Position	Quantité	Désignation	Référence	EAN
101	2	HEXAGON NUT M6	5131032617	4058546136987
102	1	MAIN TABLE	5131032618	4058546198510
103	2	ADJUSTMENT BLOCK	5131000000	
104	7	FLAT WASHER-A CLASS DIA 6.4	5131000000	
105	7	SPRING WASHER Å?6	5131032621	4058546137014
106	4	HEXAGON HEAD SCREW M6X20	5131000000	
107	1	SPRING	5131000000	
108	7	FLAT WASHER-A CLASS DIA 6.4	5131000000	
109	1	HEXGON SOCKET CAP SCREW M6X12	5131000000	
110	4	HEXAGON HEAD SCREW M6X25	5131032626	4058546137052
111	2	BIG FLAT WASHER DIA 6	5131032627	4058546137069
112	1	BEVEL LOCK LEVER	5131032628	4058546137076
113	1	BEVEL INDICATOR	5131032629	4058546137083
114	3	BIG WASHER DIA,4,3	5131032842	4058546138806
115	5	SPRING WASHER DIA 4	5131032593	4058546136758
116	1	PAN HEAD SCREW M4X50	5131000000	
117	2	PAN HEAD SCREW M4X8	5131032633	4058546137120
118	4	PAN HEAD SCREW M4X14	5131032634	4058546137137
119	2	PIN	5131032635	4058546137144
120	1	FLAPPER	5131032636	4058546137151
121	1	DUST GUIDE PLATE	5131032637	4058546137168
122	2	SCREW M4X8MM	5131032516	4058546136000
123	1	HOSE CONNECTOR-A	5131032639	4058546137182
124	1	DUST HOSE	5131032640	4058546137199
125	1	HOSE CONNECTOR-B	5131032641	4058546137205
126	1	HANDLE SLEEVE	5131032642	4058546137212
127	1	HANDLE WHEEL	5131000000	
128	1	STRAIN RELIEF	5131000000	
129	1	CORD CLAMP	5131000000	
130	2	SMALL WASHER DIA 4.3XDIA8X0.5T	5131032521	4058546136055
131	4	PAN HEAD TAPPING SCREW ST4.2X16	5131032520	4058546136048
132	1	SWITCH	5131032648	4058546137267
133	1	RING OF CIRCUIT BREAKER	5131032649	4058546137274
134	1	SWITCH BOX	5131032650	4058546137281
135	1	INDUCTOR	5131032651	4058546137298
136	1	OVERLOAD PROTECTOR	5131032652	4058546137304
137	1	CAPACITANCE	5131032653	4058546137311
138	1	CORD CONNECTOR	5131032654	4058546137328
139	1	SWITCH COVER	5131000000	
140	5	PAN HEAD TAPPING SCREW ST4.2X10	5131000000	
141	1	POWER CORD WITH VED PLUG	5131032657	4058546137359
142	2	STRAIN RELIEF	5131000000	
143	1	CORD CLAMP	5131000000	
144	1	BLADE GUARD STOCK PLATE	5131000000	
145	2	FLAT WASHER DIA 5.5	5131000000	
146	2	SPRING WASHER DIA 5	5131032525	4058546136093
147	2	PAN HEAD SCREW M5X12	5131032585	4058546136673
148	1	PAD	5131032664	4058546137427
149	1	PRESSURE PLATE	5131032497	4058546135812
151	1	CLAMPING FLANGE	5131032498	4058546135829

Position	Quantité	Désignation	Référence	EAN
152	1	BLADE NUT	5131032668	4058546137465
153	1	FRONT CAP	5131032670	4058546137489
154	2	KNOB	5131032671	4058546137496
155	1	SHORT FENCE	5131032672	4058546137502
156	1	KNOB	5131032673	4058546137519
157	3	WASHER DIA 6.4	5131032674	4058546137526
158	2	LOCK KNOB	5131032675	4058546137533
159	1	BOLTS WITH DOUBLE NIP	5131032676	4058546137540
160	2	PAN HEAD SCREW M4X8	5131032633	4058546137120
161	2	SPRING WASHER DIA 4	5131032593	4058546136758
162	4	SMALL WASHER DIA 4.3XDIA8X0.5T	5131032521	4058546136055
163	1	POINTOR	5131032680	4058546137588
164	1	MITER GAUGE BAR	5131032681	4058546137595
165	1	FLAT WASHER DIA,8XDIA,32X2	5131032679	4058546137571
166	1	PIN	5131032683	4058546137618
167	1	MITER GAUGE	5131032684	4058546137625
168	1	END CAP	5131032685	4058546137632
169	2	HEXAGON NUT M6	5131032617	4058546136987
170	2	END CAP-1	5131032688	4058546137663
171	1	END CAP-2	5131032689	4058546137670
172	1	AUXILLIARY FENCE	5131032690	4058546137687
173	1	END CAP-3	5131032691	4058546137694
174	2	HEXAGON HEAD SCREW M6X35	5131032692	4058546137700
175	1	ADJUSTMENT NUT	5131032693	4058546137717
176	1	FLAT WASHER DIA 8.4	5131032694	4058546137724
177	1	PIN	5131032695	4058546137731
178	1	REAR PLATE	5131032696	4058546137748
179	1	FENCE BLOCK	5131032697	4058546137755
180	1	CAM PIN	5131032698	4058546137762
181	1	SPRING PIN,HEAVY TYPE DIA 3X25	5131032699	4058546137779
182	1	CAM	5131032700	4058546137786
183	1	HEXAGON NUT M6	5131032577	4058546136598
184	1	HANDLE	5131032702	4058546137809
185	1	HANDLE COVER	5131032703	4058546137816
186	2	HEXAGON HEAD SCREW M6X12	5131032704	4058546137823
187	2	EXT. TOOTH WASHER DIA 6	5131032705	4058546137830
188	1	CONNECT ROD	5131032706	4058546137847
189	1	RIP FENCE	5131032707	4058546137854
190	1	REAR INSERT PANEL	5131032708	4058546137861
191	1	SPRING FOR THE ROD	5131032709	4058546137878
192	1	REAR PANEL	5131032710	4058546137885
193	2	KNOB	5131032711	4058546137892
194	2	FLAT WASHER DIA,8XDIA,32X2	5131032679	4058546137571
195	1	PAN HEAD SCREW M4X8	5131032633	4058546137120
196	1	SMALL WASHER DIA 4.3XDIA8X0.5T	5131032521	4058546136055
197	1	SPRING WASHER DIA 4	5131032593	4058546136758
198	1	INDICATOR	5131032716	4058546137946
199	1	BIG WRENCH	5131032718	4058546137953
200	1	SMALL WRENCH	5131032719	4058546137960
201	1	SLIDE	5131032494	4058546135782

Position	Quantité	Désignation	Référence	EAN
202	1	DUST PORT	5131032721	4058546137984
203	2	EXTEND SCREW PIN	5131032539	4058546136239
204	1	EXTENSION TABLE	5131032540	4058546136246
205	2	EXTENSION BAR	5131032565	4058546194529
206	1	PAN HD SCREW WITH CROSS RECESSED MX8	5131032568	4058546136505
207	2	BUTTERFLY KNOB	5131032809	4058546138752
208	2	SCREW FOR BLADE GUARD	5131032592	4058546136741
209	1	FRONT LEFT PROTECT GUARD	5131032630	4058546137090
210	1	LOCK KNOB OF THE PROTECT GUARD	5131032646	4058546137250
211	2	LOCKKNOB SHAFT OF THE PROTECT GUARD	5131032714	4058546137922
212	1	SWINGING ARM OF THE PROTECT GUARD	5131032701	4058546137793
213	1	PROTECT GUARD TORSION SPRING	5131032663	4058546137410
214	1	FRONT RIGHT PROTECT GUARD	5131032631	4058546137106
215	6	SCREW ON THE PROTECT GUARD	5131032715	4058546137939
216	1	FRONT REAR PROTECT GUARD	5131032678	4058546137564
217	2	CONNECTOR SCREW OF PROTECT GUARD	5131032607	4058546136888
218	2	PAN HEAD SCREW M4X6	5131032682	4058546137601
219	2	SCREW WITH FLAT POINT M5X8	5131032712	4058546137908
220	4	LOCK LINKAGE OF THE PROTECT GUARD	5131032686	4058546137649
221	1	LINKAGE SHAFT SHORT BUSHING	5131032662	4058546137403
222	1	LINKAGE SHAFT LONG BUSHING	5131032571	4058546136536
223	1	SHAFT OF THE BUSHING FOR PROTECT GUARD	5131032677	4058546137557
224	1	CENTRAL SHAFT BUSHING	5131032713	4058546137915
225	1	CENTRAL SHAFT	5131032747	4058546138202
226	1	REAR LEFT PROTECT GUARD	5131032748	4058546138219
227	1	FLAT WASHER DIA 10	5131032761	4058546138332
300	1	SETTING GAUGE	5131032496	4058546135805
400	1	GUIDE RAIL	5131032495	4058546135799
A01	4	HEXAGON HEAD SCREW M8X35	5131032665	4058546137434
A02	4	SPRING WASHER DIA 8	5131032666	4058546137441
A03	8	FLAT WASHER DIA 8	5131032667	4058546137458
A04	4	HEXAGON NUT M6	5131032577	4058546136598
A05	2	HEXAGON HEAD SCREW M8X55	5131032669	4058546137472
A06	2	FLAT WASHER DIA 8	5131032667	4058546137458
A07	1	LEG A	5131032687	4058546137656
A08	2	NUT M8	5131032720	4058546137977
A09	1	LEG B	5131032722	4058546137991
A10	2	END CAP	5131032745	4058546138189
A11	4	FEET PAD	5131032746	4058546138196