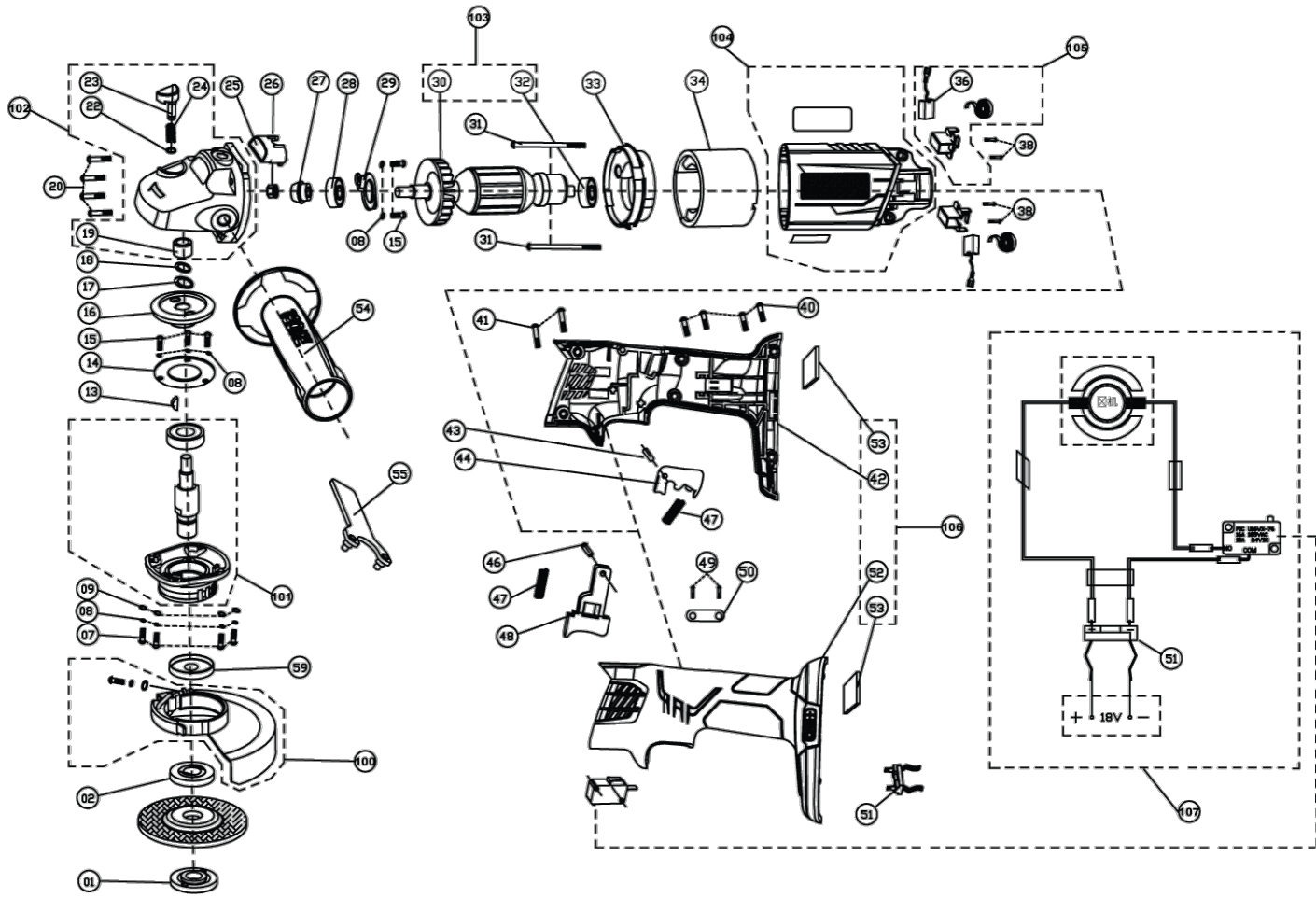


18V Angle Grinder

5133001903 - R18AG-0 - 5133001903#1





Position	Quantity	Description	Part number	EAN
001	1	CLAMPING FLANGE	5131031187	
002	1	CLAMPING FLANGE	5131031188	
003	4	SCREW	5131031189	
004	9	WASHER	5131031190	
009	4	WASHER	5131031191	
013	1	KEY	5131031192	
014	1	BEARING COVER	5131031193	
015	5	SCREW	5131031194	
016	1	GEAR	5131031195	
017	1	WASHER	5131031196	
018	1	SPRING RING	5131031197	
019	1	NEEDLE BEARING	5131031223	
020	4	SCREW	5131031198	
022	1	SPRING RING	5131031224	
023	1	LOCKING PIN	5131031225	
024	1	SPRING	5131031226	
025	1	COVER	5131031199	
026	1	NUT	5131031200	
027	1	PINION	5131031201	
028	1	BALL BEARING	5131031202	
029	1	BEARING COVER	5131031203	
031	2	SCREW	5131031204	
033	1	FAN HOUSING	5131031205	
034	1	ELECTRIC FIELD	5131031206	
036	2	CARBON BRUSH	5131031230	
038	4	SCREW	5131031207	
040	4	SCREW	5131031208	
041	2	SCREW M4.2x35mm	5131031209	
043	1	PIN	5131031210	
044	1	LOCKING LEVER	5131031211	
046	1	PIN	5131031212	
047	2	SPRING	5131031213	
048	1	TRIGGER	5131031214	
049	2	SCREW	5131031215	
050	1	PRESSURE PLATE	5131031216	
051	1	CONNECTION PLATE	5131031233	
054	1	AUXILIARY HANDLE	5131031217	
055	1	WRENCH	5131031218	
059	1	DUST SEAL	5131031219	
100	1	GUARD	5131031220	
101	1	GEAR KIT	5131031221	
102	1	GEAR BOX ASSY	5131031222	
103	1	ASSEMBLY	5131031227	
104	1	MOTOR HOUSING	5131031228	
105	1	BRUSH HOLDER COMPL.	5131031229	
106	1	HANDLE	5131031231	
107	1	SWITCH	5131031232	