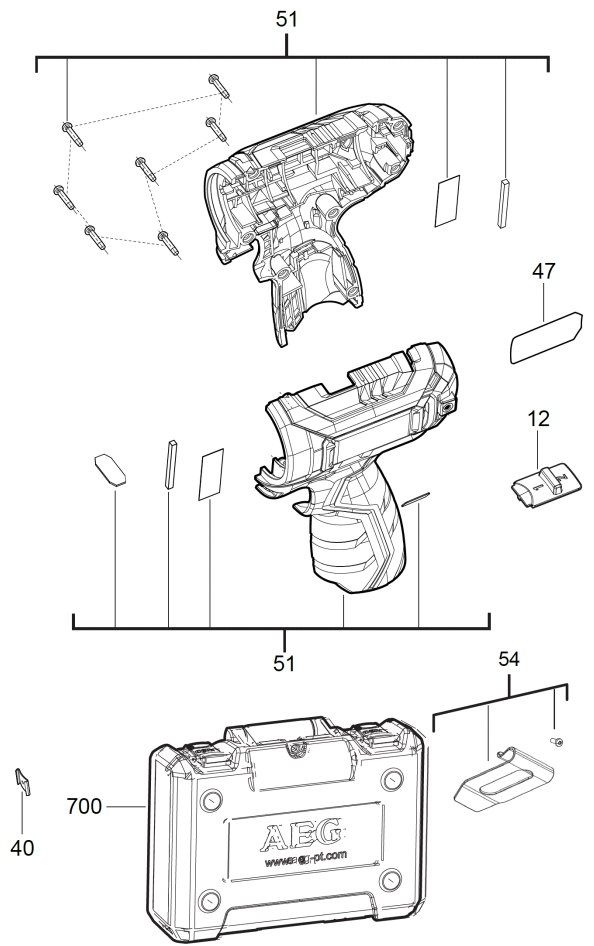
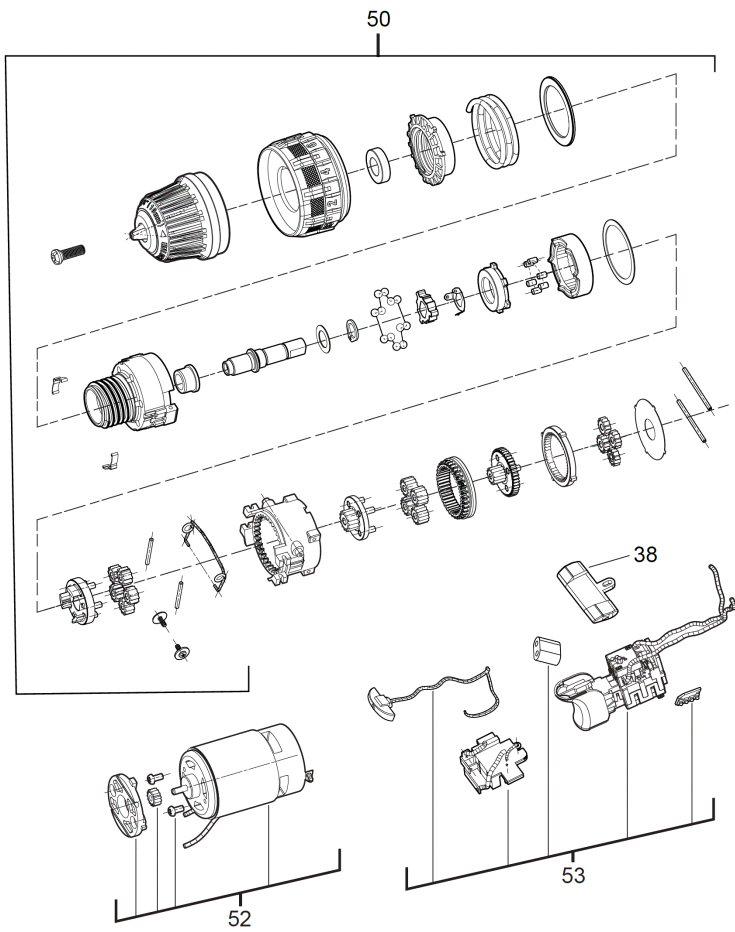


BS12C2LI-202C BTY. DRILL/SCREWDR. IN2

4935447867 - BS12C2LI-202C IN2 - 4000447868





| Position | Quantity | Description | Part number | EAN |
|-----------------|-----------------|-----------------------------------|--------------------|---------------|
| 0012 | 1 | ADJUSTING BUTTON | 4931453052 | 4002395154838 |
| 0038 | 1 | PUSH BUTTON | 4931453053 | 4002395154845 |
| 0040 | 1 | JOINT PIECE | 631542001 | 4002395822591 |
| 0047 | 1 | RATING PLATE | 4931453055 | 4002395154869 |
| 0050 | 1 | GEAR BOX | 4931453056 | 4002395154876 |
| 0051 | 1 | HOUSING | 4931453057 | 4002395154883 |
| 0052 | 1 | DC-MOTOR | 4931453058 | 4002395154890 |
| 0053 | 1 | SWITCH | 4931453059 | 4002395155507 |
| 0054 | 1 | STRAP | 4931435833 | 4002395870424 |
| 0700 | 1 | CARRYING CASE | 4931453060 | 4002395155514 |
| | 2 | L1220 BATTERY PACK LI-ION 12V XXX | 4932430165 | 4002395378265 |