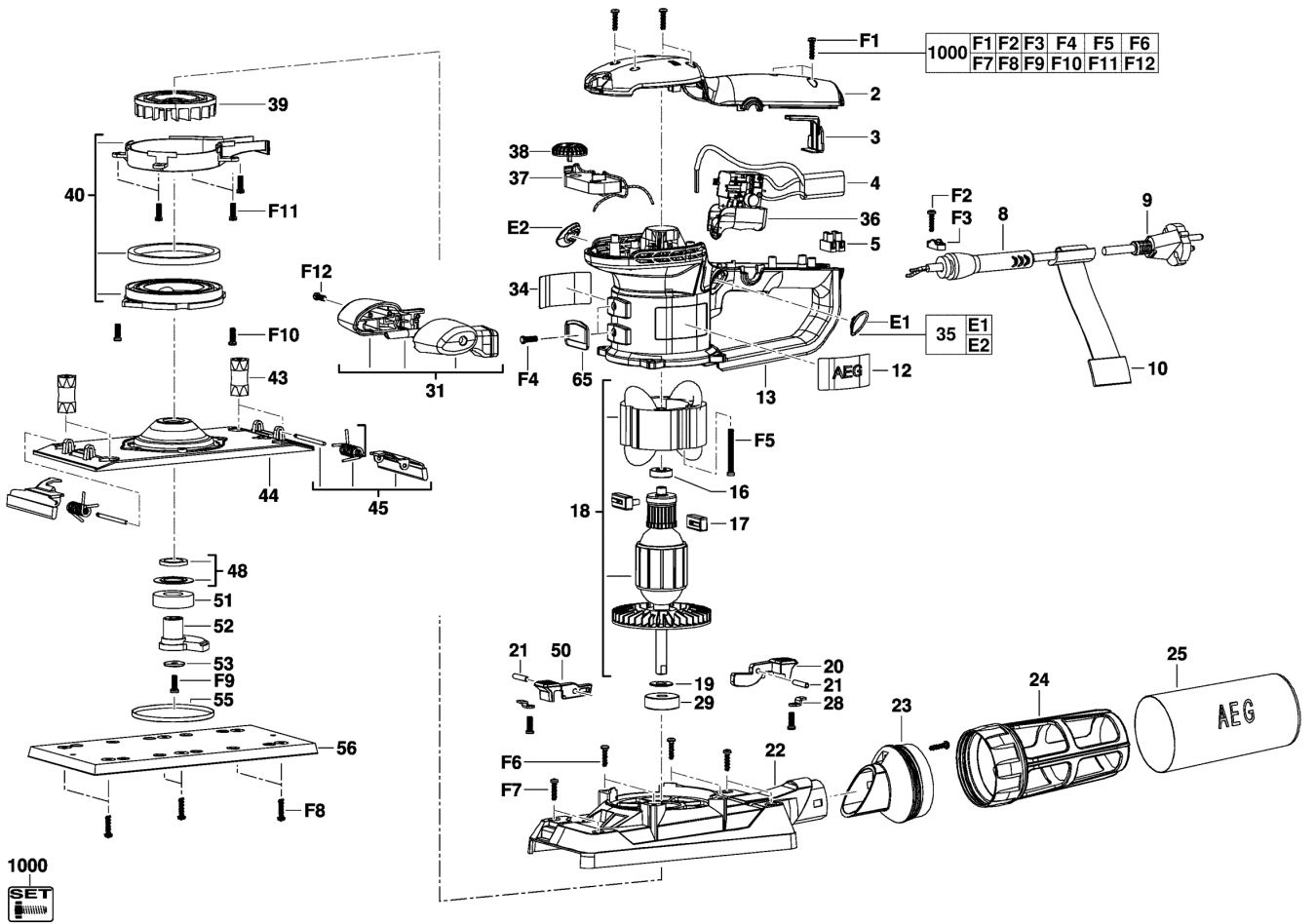


FS280 1/2 SHEET SANDER IN2

4935419280 - FS280 - 4000419281





Position	Quantity	Description	Part number	EAN
0002	1	PROTECTIVE CAP	591595002	4002395843893
0003	1	SWITCH	513746001	4002395843886
0004	1	CONNECTOR	290059006	4002395844043
0005	1	JOINING PART	513100000	
0008	1	CABLE ENTRY SLEEVE	560963001	4002395834389
0009	1	CONNECTION CABLE	730351010	4002395843381
0010	1	CONNECTION CABLE	902527001	4002395843732
0012	1	LABEL	940304684	4002395843350
0013	1	MOTOR HOUSING	300047064	4002395843374
0016	1	BEARING	680273003	4002395843305
0017	1	CARBON BRUSH	290069273	4002395843329
0018	1	MOTOR ASSEMBLY	290533001	4002395843367
0019	1	SPACER	633405001	4002395843916
0020	1	CHAIN CLAMP BODY	521781001	4002395843855
0021	1	PIN	672984001	4002395843930
0022	1	BASE PLATE	641649001	4002395843749
0023	1	PLASTIC BAG	591594002	4002395843817
0024	1	PLASTIC BAG	591593004	4002395843800
0025	1	DUST BAG	901262005	4002395843763
0028	1	STAMP	633380001	4002395843961
0029	1	BEARING	681481001	4002395843312
0031	1	HANDLE COMPL.	200235036	4002395843343
0034	1	STICKER	940488131	4002395843923
0035	1	INSERT	200261003	4002395843787
0036	1	SWITCH	760670002	4002395843428
0037	1	ELECTRIC ELEMENT	280133002	4002395843831
0038	1	SPEED GOVERNOR	343056008	4002395843909
0039	1	FAN	521777001	4002395843824
0040	1	DUST EXTRACTION AS.	200699006	4002395843770
0043	1	RUBBER BUFFER	562490001	4002395843879
0044	1	BASE PLATE	641650001	4002395844050
0045	2	ADJUSTING LOCK	200298004	4002395843794
0048	1	SEALING WASHER	200319018	4002395843411
0050	1	CHAIN CLAMP BODY	521779001	4002395843848
0051	1	BEARING	4931446184	4002395880034
0052	1	BASE PLATE	641651001	4002395843756
0053	1	STAMP	633435001	4002395843947
0055	1	STAMP	633406001	4002395843954
0056	1	GROUND PLATE	304507001	4002395844944
0065	1	RUBBER BUFFER	562818001	4002395854370
1000	1	BOLT SET	200288064	4002395843404