

# **STREND PRO**®

G A R D E N

**SK**

**Tlaková riadiaca jednotka STREND PRO**

**EN**

**Automatic Control STREND PRO**

**ESW-21**

**CE**



---

• *Návod na použitie*

• *Instruction manual*

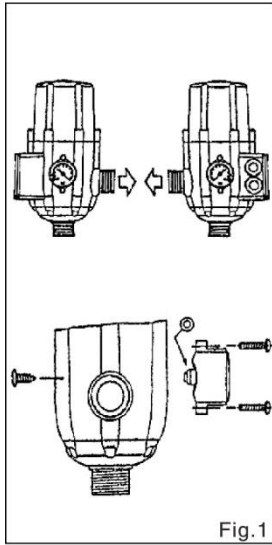


Fig. 1

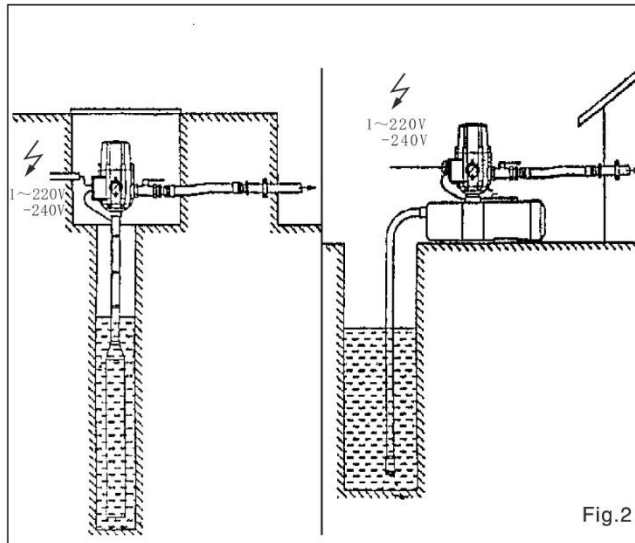


Fig. 2

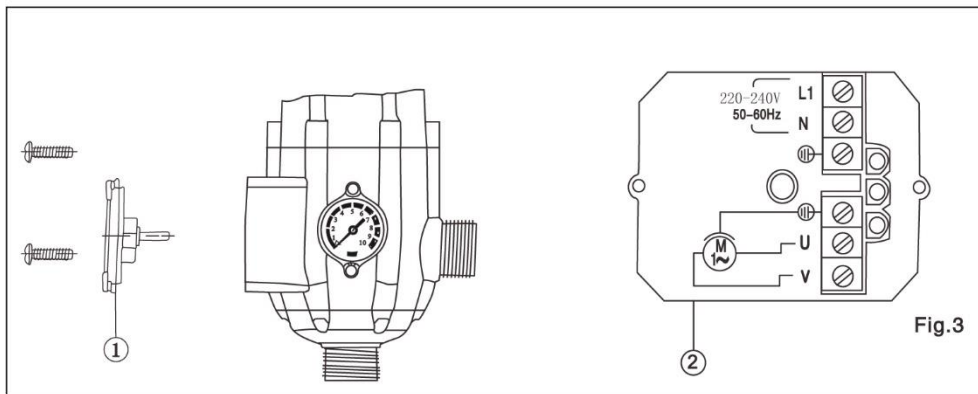


Fig. 3

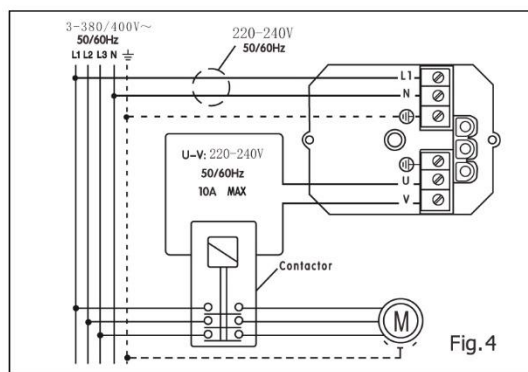


Fig. 4

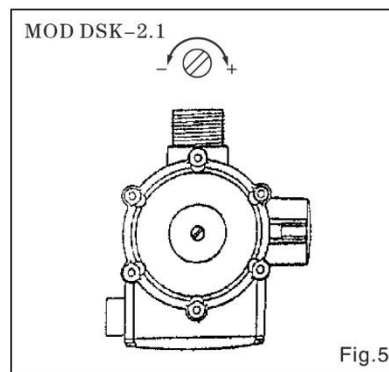




Fig. 5

**TECHNICKÉ PARAMETRE:**

<b>POWER</b>	max. 1100 W
<b>VOLTAGE / FREQUENCY</b>	230 V / 50 Hz
<b>MAX. CURRENT</b>	10 A
<b>PROTECTION CLASS</b>	IP65
<b>MAX. WORKING PRESSURE</b>	10 bar
<b>MAX. WORKING TEMPERATURE</b>	60 °C
<b>WORKING PRESSURE</b>	1,5-3 bar
<b>PIPE CONNECTION</b>	R 1"



**SYMBOLS:**

	Read the entire instruction manual before using the vibration drowned pump.
	In accordance with essential safety standards of applicable European directives

**OPERATION:**

The electronic controller orders the automatic start and stop of the water pump when opening or closing any tap or valve of the system. The controller can keep a constant pressure and water flow in the system as long as any tap in the system is open during the pump's operation.

**CAUTION!**

The electronic controller can be used either for drinking water or non-drinking water system. In installations where both types of water are present, make sure that drinking water is not mixed with non-drinking one.

**CONSTRUCTION CHARACTERISTICS**

- Inlet: male 1"
- Outlet: male 1"
- Special non return valve to avoid surges
- Security system avoiding the possibility for the machine to work without water
- Pressure gauge
- Manual start switch(RESET)
- Tension LED (POWER)
- Pump-working LED(ON)
- Security system LED (FAILURE)

**INSTALLATION OF THE PRESSURE GAUGE(Fig. 1):**

The pressure gauge is provided with an O-ring, two fixing screws and a screw cap. The pressure gauge can be mounted on any side of the controller by introducing the cylindrical connector with the O-ring into the hole in the body of the device and fixing it by means of the two supplied screws. The screw-tap is to be located on the opposite side's pressure gauge vent (without O-ring or teflon).

**HYDRAULIC CONNECTION(Fig.2):**

Before proceeding with hydraulic connection, it is essential to prime the pump correctly. The controller should be installed always in a vertical position, thus connecting the inlet opening(male 1") directly to the pump outlet and the lateral outlet(male 1") to the network. Avoid outlet non-return valves.

The following accessories are recommended:

- Flexible with a disassembling link for network connection, protecting the set from possible flexion charges and vibrations.
- Ball valve which permits the isolation of the pump from installation.

**ATTENTION:**

The water column between the pump and the highest point of use shall not exceed 15 m for model DSK- 2 and the pumps should supply a minimum pressure of 2.5 bar. If case of using the control in points between 15 and 30m height you are suggested to use model DSK-2.1. The adjustment of the starting pressure is made by the screw placed in the top of the control ( Fig.5 ) Read the indicated pressure showed in the



pressure gauge when the pump starts and perform on the screw according to the wished side ( Pressure adjusting must be performed by professional ). As per standards the starting pressure should be 0.2 bar higher than the manometric one , and the pump will have to give at least a pressure 0.8 bar higher than the adjusted one, Example:

USING HEIGHT	OPERATING PRESSURE ADJUSTMENT	MINIMUM PUMP PRESSURE
3 bar	2.2 bar	20m
3.5 bar	2.7 bar	25m

This operation only adjusts the starting pressure, not the working pressure which only depends on the pump feature. It will be easier to proceed with the adjustment if a tap of the installation is opened, that will reduce the internal pressure of the control.

### **ELECTRIC CONNECTION (Fig.3):**

Check the power supply to be 220V-240V, First disconnect the power supply, then dismount the cover X of the electronic circuit and make the connections as per diagram on plate M. The controller can be also used for three-phase or single-phase pumps with intensities higher than 10A by means of an auxiliary contact. In this case, the connections will have to be made according to the scheme in Fig.4

### **WARNING**

Bad connections may spoil the electronic circuit.

### **STARTING:**

1. Be sure that the pump is correctly primed, and then gently open the tap.
2. Connect the controller to the electric supply. The tension LED will light (POWER)
3. The pump starts working automatically and within a period of 20-25seconds the pressure gauge will reach approximately the maximum pressure provided by the pump. During its working the corresponding LED(ON) will be on.
4. Close the tap indicated on point 1. After 7-9 seconds the pump will stop. The tension LED (POWER) will be the only one to remain on. Any problem after this procedure will be due to defective pump priming.

**POSSIBLE PROBLEMS:**

<b>PROBLEM</b>	<b>CAUSES OF FAILURE</b>	<b>SOLUTIONS</b>
Pump doesn't stop	<ul style="list-style-type: none"> <li>a).Water leakage higher than 1.21/min at some point</li> <li>b) Manual start switch (RESET) is blocked</li> <li>c) Breakdown on the electronic board</li> <li>d) Incorrect electric connection on electronic board (2)</li> </ul>	<ul style="list-style-type: none"> <li>a) Check the system, the tap, etc.</li> <li>b) Press it for several times. Consult your dealer if the problem persists.</li> <li>c) Proceed to its substitution</li> <li>d) Check the connections according to Fig.3.</li> </ul>
Pump doesn't start	<ul style="list-style-type: none"> <li>a) Not enough water supply, the security system has been activated and the LED (FAILURE) is on</li> <li>b) Pump is blocked: LED (FAILURE) is on and the security system is activated. When we act on the manual start switch (RESET) the LED (ON) is activated but the pump doesn't work</li> <li>c) Failure in the electronic circuit</li> <li>d) No electrical supply</li> <li>e) Not enough pump pressure</li> <li>f) Air in the pump aspiration</li> </ul>	<ul style="list-style-type: none"> <li>a) Check the water supply and restart the pump through the reset switch (RESET).</li> <li>b) Consult your dealer</li> <li>c) Switch off power supply, wait a few seconds and turn it on again. If the pump doesn't start immediately then replace the circuit.</li> <li>d) Check the proper electric feeding. The tension LED (POWER) should be on .</li> <li>e) The security system has been activated and the corresponding LED (FAILURE) is on. Check that the pump pressure is 0.8bar higher than the starting pressure of the controller.</li> <li>f) The pressure gauge will indicate a pressure lower than the nominal or constant oscillations. The security system will act by stopping the pump and the LED (FAILURE) will be on. Check the sealing of the connections and O-ring of the aspiration conduct.</li> </ul>
The pump starts and stops repeatedly	Small leakage in some point of the installation	Verify possible tap of tank leakages and repair them.

# ES VYHLÁSENIE O ZHODE EC DECLARATION OF CONFORMITY

vydané/issued by

Firma/Company: SLOVAKIA TREND EXPORT - IMPORT, s.r.o.  
Sídlo/Seated: Michalovská 87/1414, Sobrance 07301, Slovensko  
IČO/ID Nr: 46512250

vyhlasuje, že následne označené zariadenie na základe svojej koncepcie a konštrukcie, rovnako ako do obehu uvedené vyhotovenie, zodpovedá základným bezpečnostným požiadavkám príslušných legislatívnych predpisov/ hereby declares that this appliance is in compliance with all basic safety requirements of all relevant directives.

**Tlaková riadiaca jednotka/Pressure operating control:  
119005 – DSK-2,1**

bol navrhnutý a vyrobený v zhode s nasledujúcimi predpismi (všetko v platnom znení)/and all relevant directives (all in compliance):

LVD 2014/35/EU

ES vyhlásenie o zhode bolo vydané na základe certifikátu /EC declaration of conformity issued on the basis of certificates:  
LVD Nr.: AN 503381500001, TÜV Rheinland LGA Products GmbH – Tillystraße 2 – 90431 Nürnberg, Germany

Všetky súbory technickej dokumentácie sa nachádzajú k nahliadnutiu na adrese: /All related technical documentation and test report are available for checking at seat of company on following address: Slovakia TREND Export – Import s.r.o, Michalovská 87/1414, 073 01 Sobrance, Slovenská Republika

Last two digits when product has been introduced on market  
/ Posledné dve číslice roka, kedy bol výrobok označený značkou

CE: 17

SLOVAKIA TREND EXPORT - IMPORT, s.r.o.  
Michalovská 87/1414  
073 01 SOB R A N C E  
IČO: 46512250  
DIČ: 2023403371



Sobrance 18.10.2017

Dátum a miesto vydania vyhlásenia

.....  
meno, priezvisko a podpis, pečiatka výrobcu /dovozcu  
Ing. Slavomír Čižmár, obchodný riaditeľ

## ZÁRUČNÝ LIST

Dátum predaja: .....

Sériové číslo: .....

pečiatka a podpis predajcu

### Záručné podmienky:

Na tento výrobok sa poskytuje záruka po dobu 24 mesiacov odo dňa predaja, respektíve odo dňa vyskladenia.

V dobe záruky vám záručný servis vykoná opravy všetkých závad vzniknutých následkom výrobnnej chyby bezplatne. Pri uplatnení požiadavky na záručnú opravu musí byť spolu s prístrojom predložený úplne a čitateľne vyplnený záručný list. Pri odosielaní prístroja do opravy, dopravné náklady hradí zákazník. Originálny obal od výrobku starostlivo uschovajte.

### Záruka sa nevzťahuje na:

- prístroj poškodený počas dopravy a nesprávneho skladovania
- poruchy spôsobené nesprávnou obsluhou alebo údržbou
- poruchy spôsobené vplyvom opotrebenia výrobku a materiálu
- poruchy spôsobené používaním prístroja na iný účel než na aký je určený
- prístroj, do ktorého bol vykonaný neodborný zásah alebo úprava
- nekompletnosť výrobku, ktorú bolo možné zistiť už pri predaji

### Dovozca:

Slovakia Trend Export-Import s.r.o., Michalovská 87/1414, Sobrance 073 01

### Servisné záznamy:

--

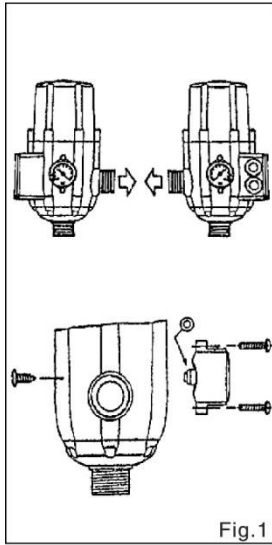


Fig. 1

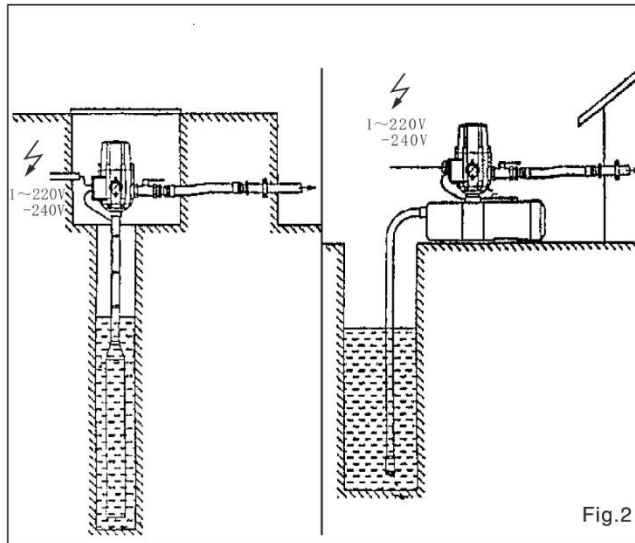


Fig. 2

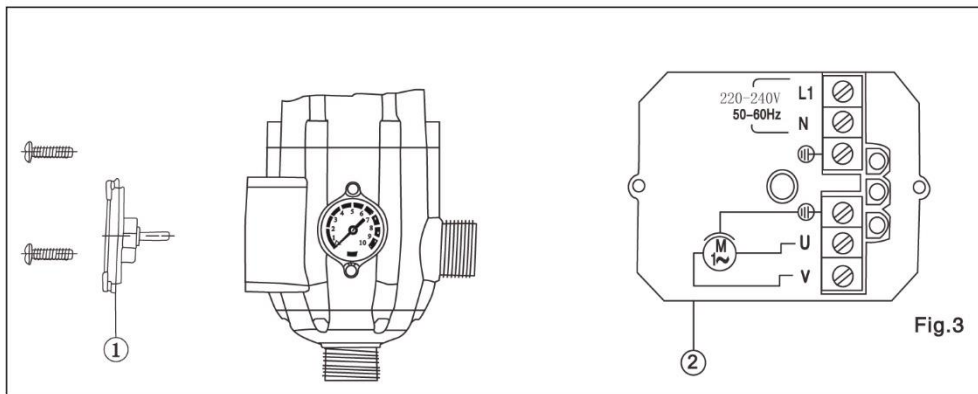


Fig. 3

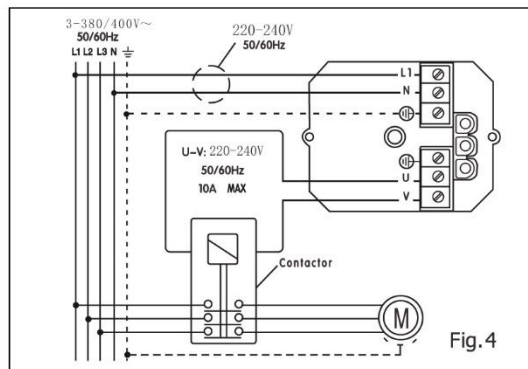


Fig. 4

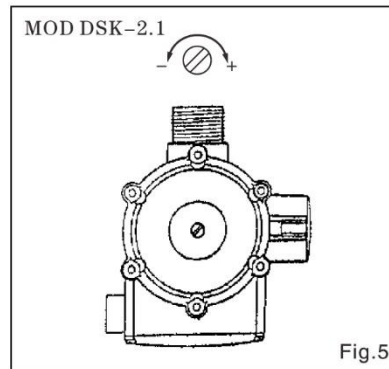


Fig. 5



**TECHNICKÉ PARAMETRE:**

<b>POWER</b>	max. 1100 W
<b>VOLTAGE / FREQUENCY</b>	230 V / 50 Hz
<b>MAX. CURRENT</b>	10 A
<b>PROTECTION CLASS</b>	IP65
<b>MAX. WORKING PRESSURE</b>	10 bar
<b>MAX. WORKING TEMPERATURE</b>	60 °C
<b>WORKING PRESSURE</b>	1,5-3 bar
<b>PIPE CONNECTION</b>	R 1"





**SYMBOLS:**

	Read the entire instruction manual before using the vibration drowned pump.
	In accordance with essential safety standards of applicable European directives

**OPERATION:**

The electronic controller orders the automatic start and stop of the water pump when opening or closing any tap or valve of the system. The controller can keep a constant pressure and water flow in the system as long as any tap in the system is open during the pump's operation.

**CAUTION!**

The electronic controller can be used either for drinking water or non-drinking water system. In installations where both types of water are present, make sure that drinking water is not mixed with non-drinking one.

**CONSTRUCTION CHARACTERISTICS**

- Inlet: male 1"
- Outlet: male 1"
- Special non return valve to avoid surges
- Security system avoiding the possibility for the machine to work without water
- Pressure gauge
- Manual start switch(RESET)
- Tension LED (POWER)
- Pump-working LED(ON)
- Security system LED (FAILURE)

**INSTALLATION OF THE PRESSURE GAUGE(Fig. 1):**

The pressure gauge is provided with an O-ring, two fixing screws and a screw cap. The pressure gauge can be mounted on any side of the controller by introducing the cylindrical connector with the O-ring into the hole in the body of the device and fixing it by means of the two supplied screws. The screw-tap is to be located on the opposite side's pressure gauge vent (without O-ring or teflon).

**HYDRAULIC CONNECTION(Fig.2):**

Before proceeding with hydraulic connection, it is essential to prime the pump correctly. The controller should be installed always in a vertical position, thus connecting the inlet opening(male 1") directly to the pump outlet and the lateral outlet(male 1") to the network. Avoid outlet non-return valves.

The following accessories are recommended:

- Flexible with a disassembling link for network connection, protecting the set from possible flexion charges and vibrations.
- Ball valve which permits the isolation of the pump from installation.

**ATTENTION:**

The water column between the pump and the highest point of use shall not exceed 15 m for model DSK- 2 and the pumps should supply a minimum pressure of 2.5 bar. If case of using the control in points between 15 and 30m height you are suggested to use model DSK-2.1. The adjustment of the starting pressure is made by the screw placed in the top of the control ( Fig.5 ) Read the indicated pressure showed in the



pressure gauge when the pump starts and perform on the screw according to the wished side ( Pressure adjusting must be performed by professional ). As per standards the starting pressure should be 0.2 bar higher than the manometric one , and the pump will have to give at least a pressure 0.8 bar higher than the adjusted one, Example:

USING HEIGHT	OPERATING PRESSURE ADJUSTMENT	MINIMUM PUMP PRESSURE
3 bar	2.2 bar	20m
3.5 bar	2.7 bar	25m

This operation only adjusts the starting pressure, not the working pressure which only depends on the pump feature. It will be easier to proceed with the adjustment if a tap of the installation is opened, that will reduce the internal pressure of the control.

### **ELECTRIC CONNECTION (Fig.3):**

Check the power supply to be 220V-240V, First disconnect the power supply, then dismount the cover X of the electronic circuit and make the connections as per diagram on plate M. The controller can be also used for three-phase or single-phase pumps with intensities higher than 10A by means of an auxiliary contact. In this case, the connections will have to be made according to the scheme in Fig.4

### **WARNING**

Bad connections may spoil the electronic circuit.

### **STARTING:**

1. Be sure that the pump is correctly primed, and then gently open the tap.
2. Connect the controller to the electric supply. The tension LED will light (POWER)
3. The pump starts working automatically and within a period of 20-25seconds the pressure gauge will reach approximately the maximum pressure provided by the pump. During its working the corresponding LED(ON) will be on.
4. Close the tap indicated on point 1. After 7-9 seconds the pump will stop. The tension LED (POWER) will be the only one to remain on. Any problem after this procedure will be due to defective pump priming.

**POSSIBLE PROBLEMS:**

<b>PROBLEM</b>	<b>CAUSES OF FAILURE</b>	<b>SOLUTIONS</b>
Pump doesn't stop	<ul style="list-style-type: none"> <li>a).Water leakage higher than 1.21/min at some point</li> <li>b) Manual start switch (RESET) is blocked</li> <li>c) Breakdown on the electronic board</li> <li>d) Incorrect electric connection on electronic board (2)</li> </ul>	<ul style="list-style-type: none"> <li>a) Check the system, the tap, etc.</li> <li>b) Press it for several times. Consult your dealer if the problem persists.</li> <li>c) Proceed to its substitution</li> <li>d) Check the connections according to Fig.3.</li> </ul>
Pump doesn't start	<ul style="list-style-type: none"> <li>a) Not enough water supply, the security system has been activated and the LED (FAILURE) is on</li> <li>b) Pump is blocked: LED (FAILURE) is on and the security system is activated. When we act on the manual start switch (RESET) the LED (ON) is activated but the pump doesn't work</li> <li>c) Failure in the electronic circuit</li> <li>d) No electrical supply</li> <li>e) Not enough pump pressure</li> <li>f) Air in the pump aspiration</li> </ul>	<ul style="list-style-type: none"> <li>a) Check the water supply and restart the pump through the reset switch (RESET).</li> <li>b) Consult your dealer</li> <li>c) Switch off power supply, wait a few seconds and turn it on again. If the pump doesn't start immediately then replace the circuit.</li> <li>d) Check the proper electric feeding. The tension LED (POWER) should be on .</li> <li>e) The security system has been activated and the corresponding LED (FAILURE) is on. Check that the pump pressure is 0.8bar higher than the starting pressure of the controller.</li> <li>f) The pressure gauge will indicate a pressure lower than the nominal or constant oscillations. The security system will act by stopping the pump and the LED (FAILURE) will be on. Check the sealing of the connections and O-ring of the aspiration conduct.</li> </ul>
The pump starts and stops repeatedly	Small leakage in some point of the installation	Verify possible tap of tank leakages and repair them.

# ES VYHLÁSENIE O ZHODE EC DECLARATION OF CONFORMITY

vydané/issued by

Firma/Company: SLOVAKIA TREND EXPORT - IMPORT, s.r.o.  
Sídlo/Seated: Michalovská 87/1414, Sobrance 07301, Slovensko  
IČO/ID Nr: 46512250

vyhlasuje, že následne označené zariadenie na základe svojej koncepcie a konštrukcie, rovnako ako do obehu uvedené vyhotovenie, zodpovedá základným bezpečnostným požiadavkám príslušných legislatívnych predpisov/ hereby declares that this appliance is in compliance with all basic safety requirements of all relevant directives.

**Tlaková riadiaca jednotka/Pressure operating control:  
119005 – DSK-2,1**

bol navrhnutý a vyrobený v zhode s nasledujúcimi predpismi (všetko v platnom znení)/and all relevant directives (all in compliance):

LVD 2014/35/EU

ES vyhlásenie o zhode bolo vydané na základe certifikátu /EC declaration of conformity issued on the basis of certificates:  
LVD Nr.: AN 503381500001, TÜV Rheinland LGA Products GmbH – Tillystraße 2 – 90431 Nürnberg, Germany

Všetky súbory technickej dokumentácie sa nachádzajú k nahliadnutiu na adrese: /All related technical documentation and test report are available for checking at seat of company on following address: Slovakia TREND Export – Import s.r.o, Michalovská 87/1414, 073 01 Sobrance, Slovenská Republika

Last two digits when product has been introduced on market  
/ Posledné dve číslice roka, kedy bol výrobok označený značkou

CE: 17

SLOVAKIA TREND EXPORT - IMPORT, s.r.o.  
Michalovská 87/1414  
073 01 SOB R A N C E  
IČO: 46512250  
DIČ: 2023403371



Sobrance 18.10.2017

Dátum a miesto vydania vyhlásenia

.....  
meno, priezvisko a podpis, pečiatka výrobcu /dovozcu  
Ing. Slavomír Čižmár, obchodný riaditeľ

## ZÁRUČNÝ LIST

Dátum predaja: .....

Sériové číslo: .....

pečiatka a podpis predajcu

### Záručné podmienky:

Na tento výrobok sa poskytuje záruka po dobu 24 mesiacov odo dňa predaja, respektíve odo dňa vyskladenia.

V dobe záruky vám záručný servis vykoná opravy všetkých závad vzniknutých následkom výrobnéj chyby bezplatne. Pri uplatnení požiadavky na záručnú opravu musí byť spolu s prístrojom predložený úplne a čitateľne vyplnený záručný list. Pri odosielaní prístroja do opravy, dopravné náklady hradí zákazník. Originálny obal od výrobku starostlivo uschovajte.

### Záruka sa nevzťahuje na:

- prístroj poškodený počas dopravy a nesprávneho skladovania
- poruchy spôsobené nesprávnou obsluhou alebo údržbou
- poruchy spôsobené vplyvom opotrebenia výrobku a materiálu
- poruchy spôsobené používaním prístroja na iný účel než na aký je určený
- prístroj, do ktorého bol vykonaný neodborný zásah alebo úprava
- nekompletnosť výrobku, ktorú bolo možné zistiť už pri predaji

### Dovozca:

Slovakia Trend Export-Import s.r.o., Michalovská 87/1414, Sobrance 073 01

### Servisné záznamy:

--