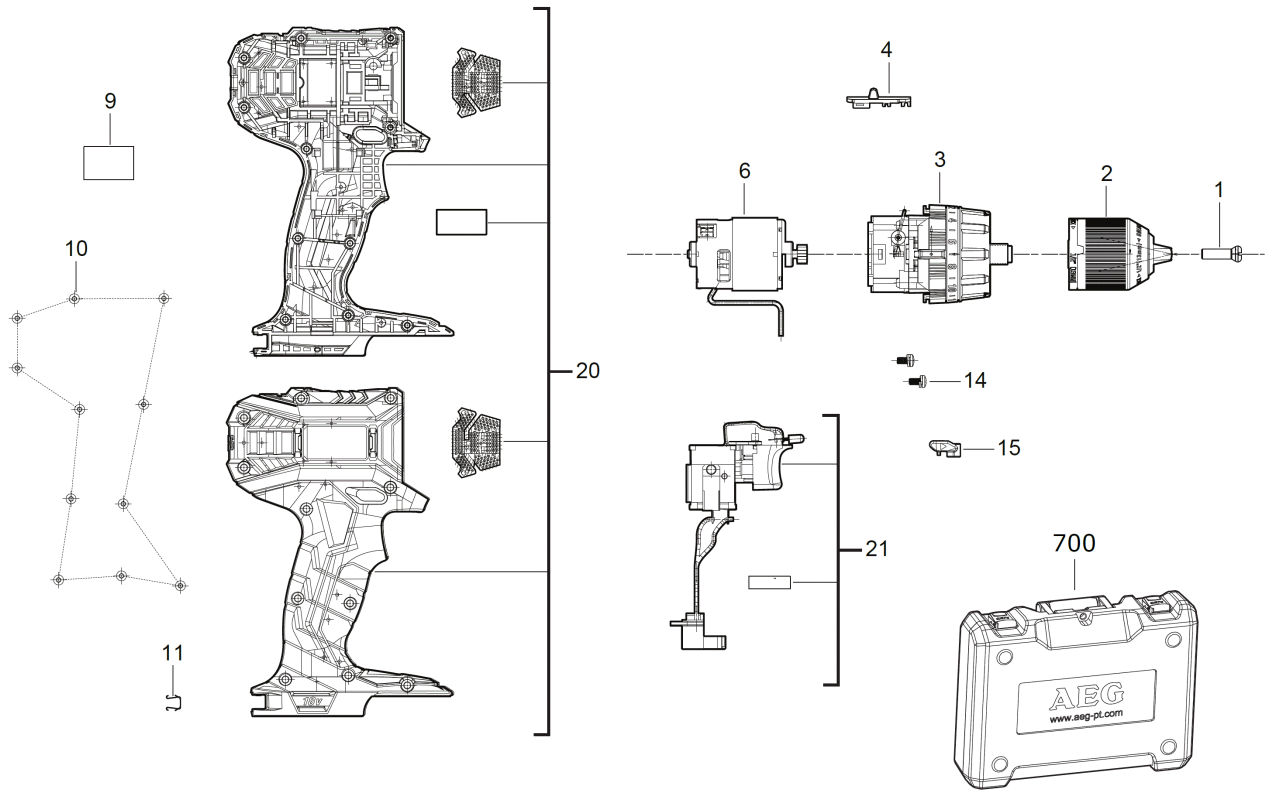


BSB18C2LI-202C PERCUSSION DRILL IN2

4935459722 - BSB18C2LI-202C - 4000460599





| Position | Quantity | Description | Part number | EAN |
|----------|----------|----------------------------|-------------|---------------|
| | 1 | PART NOT DEATAILED | 1000063920 | |
| 0001 | 1 | SCREW | 4931453063 | 4002395155071 |
| 0002 | 1 | CHUCK | 4931454098 | 4002395288939 |
| 0003 | 1 | GEAR UNIT | 4931465190 | 4058546232900 |
| 0004 | 1 | SWITCH LEVER | 4931465180 | 4058546232801 |
| 0006 | 1 | MOTOR ASSEMBLY | 4931465181 | 4058546232818 |
| 0009 | 1 | RATING PLATE | 4931465191 | 4058546232917 |
| 0010 | 11 | SCREW | 660031029 | 4002395855773 |
| 0011 | 1 | BIT CLIP | 4931454113 | 4002395290468 |
| 0014 | 2 | SCREW | 4931465183 | 4058546232832 |
| 0015 | 1 | LEVER | 4931465184 | 4058546232849 |
| 0020 | 1 | HOUSING | 4931465192 | 4058546232924 |
| 0021 | 1 | ELECTRONIC SWITCH | 4931465186 | 4058546232863 |
| 0700 | 1 | CARRYING CASE | 4931465187 | 4058546232870 |
| | 1 | BL1218 BATTERY CHARGER IN2 | 5131000000 | |
| | 2 | L1820R BATTERY PACK XXX | 4932430169 | 4002395378302 |