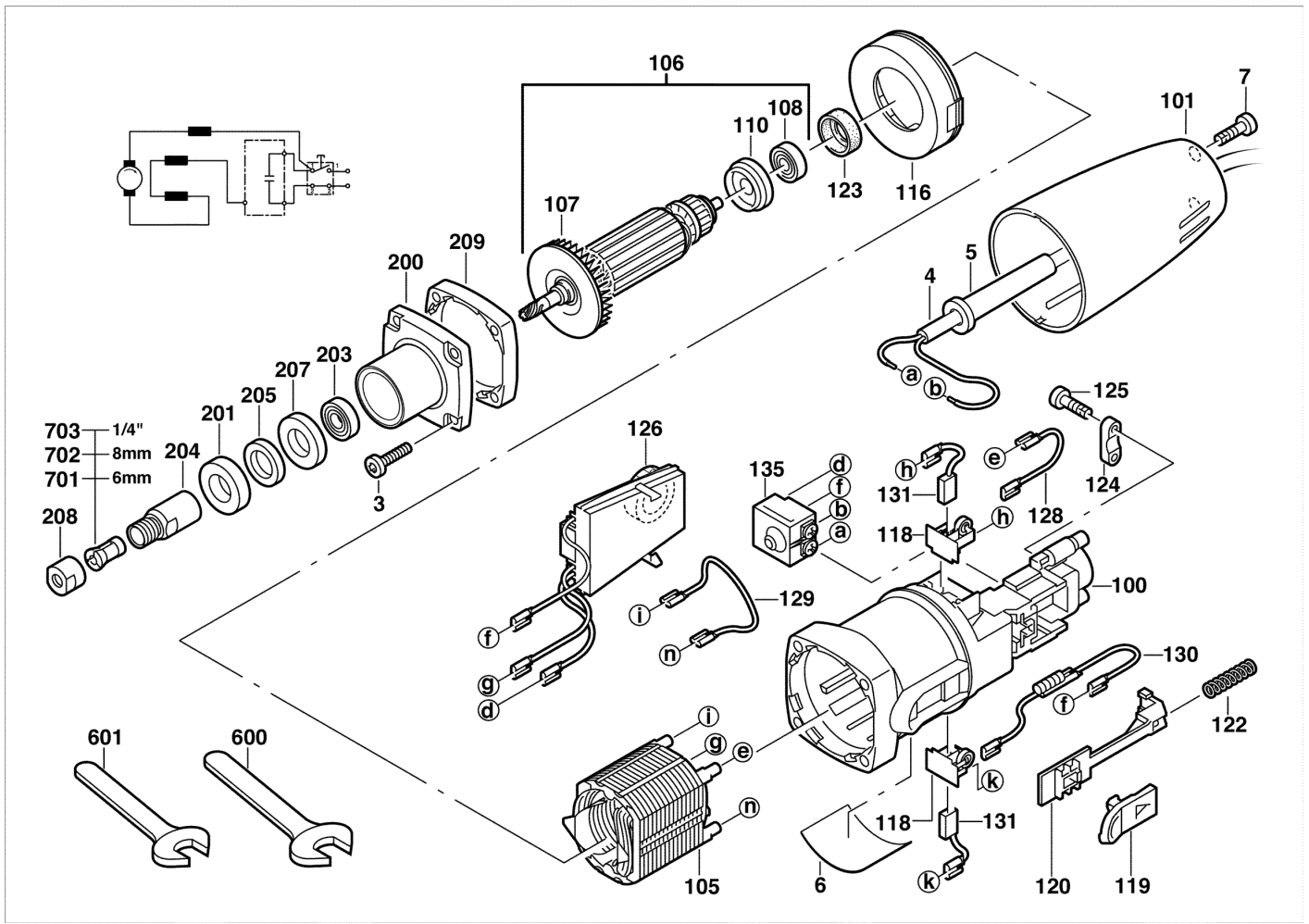


# GS500E STRAIGHT SANDER IN2

4935412985 - GS500E - 4000412986





Position	Quantity	Description	Part number	EAN
0003	4	SCREW D 7981 3,9X32	4931621515	4002395695508
0004	1	CONNECTION CABLE	4931623618	4002395703098
0005	1	CABLE ENTRY SLEEVE	4931206687	4002395583379
0006	1	RATING PLATE	4931412993	4002395791736
0007	2	SCREW	4931618253	4002395694945
0100	1	MOTOR HOUSING	4931412996	4002395793631
0101	1	HOUSING CAP	4931412994	4002395793617
0105	1	ELECTRIC FIELD	4931426181	4002395852383
0106	1	ARMATURE	4931426353	4002395841226
0107	1	FAN	4931351861	4002395640799
0108	1	BALL BEARING	4931624661	4002395790906
0110	1	INSULATING DISC	4931385658	4002395719846
0116	1	AIR DEFLECTOR RING	4931449877	4002395173051
0118	2	BRUSH HOLDER	4931351842	4002395640751
0119	1	SLIDER	4931378833	4002395684861
0120	1	GUIDE PIECE	4931351823	4002395640713
0122	1	PRESSURE SPRING	4931326981	4002395607945
0123	1	RUBBER SLEEVE	4931351729	4002395640553
0124	1	CABLE COLLAR	4931256500	4002395586547
0125	2	SCREW	4931624538	4002395760039
0126	1	ELECTRONIC ELEMENT	4931361568	4002395658695
0128	1	WIRE	4931253731	4002395586233
0129	1	WIRE	4931253598	4002395586134
0130	1	CHOKING COIL	4931369504	4002395673568
0131	1	CARBON BRUSH SET	4931392611	4002395740628
0135	1	SWITCH	4931385824	4002395724833
0200	1	FLANGE	4931426463	4002395844975
0201	1	SEAL RING	4931278527	4002395589548
0203	1	BALL BEARING	4931901253	4002395706358
0204	1	SPINDLE SLEEVE	4931351872	4002395640812
0205	1	FELT WASHER	4931278529	4002395589562
0207	1	SPACER	4931278549	4002395589593
0208	1	NUT	4931409786	4002395839728
0209	1	INTERMEDIATE FLANGE	4931412995	4002395793624
0600	1	KEY D 894 17	4931822228	4002395706181
0601	1	KEY D894 15	4931606563	4002395693726
0701	1	COLLET OF/E 6MM P1 A/M	4932313192	4002395302833
0702	1	COLLET OF/E 8MM P1 A/M	4932313190	4002395302840
0703	1	COLLET OFS450 6.35MM P1 A/M	4932313194	4002395302857