

# AEG

**PS 216 L**

**PS 254 L**

Original instructions

Originalbetriebsanleitung

Notice originale

Istruzioni originali

Manual original

Manual original

Oorspronkelijke gebruiksaanwijzing

Original brugsanvisning

Original bruksanvisning

Bruksanvisning i original

Alkuperäiset ohjeet

Πρωτότυπο οδηγίων χρήσης

Orijinal işletme talimatı

Původním návodem k používání

Pôvodný návod na použitie

Instrukcją oryginalną

Eredeti használati utasítás

Izvirna navodila

Originalne pogonske upute

Instrukcijām oriģinālvalodā

Originali instrukcija

Algupärane kasutusjuhend

Оригинальное руководство по эксплуатации

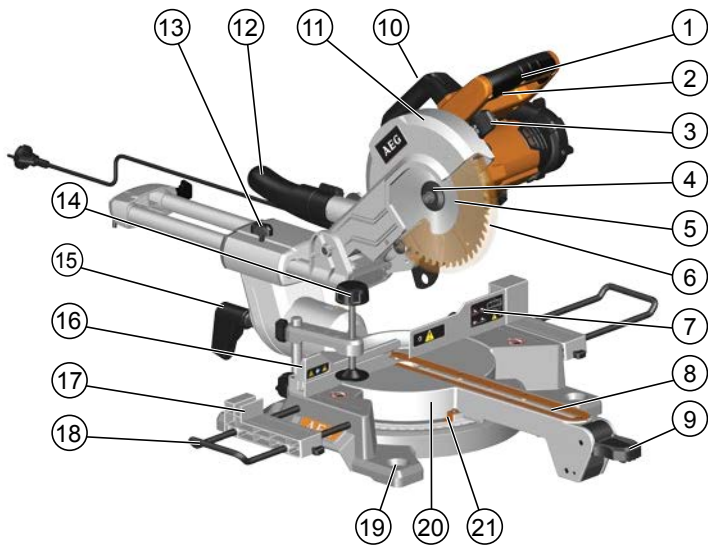
Оригинално ръководство за експлоатация

Instrucțiuni de folosire originale

Оригинален прирачник за работа

Оригінал інструкції з експлуатації

التعليمات الأصلية



Technical Data, Safety Instructions, Specified Conditions of Use, EC-Declaration of Conformity, Mains connection, Maintenance, Symbols	Please read and save these instructions!	<b>English</b>	<b>30</b>
Technische Daten, Sicherheitshinweise, Bestimmungsgemäße Verwendung, CE-Konformitätserklärung, Netzanschluss, Wartung, Symbole	Bitte lesen und aufbewahren!	<b>Deutsch</b>	<b>35</b>
Caractéristiques techniques, Instructions de sécurité, Utilisation conforme aux prescriptions, Déclaration CE de Conformité, Branchement secteur, Entretien, Symboles	A lire et à conserver soigneusement	<b>Français</b>	<b>41</b>
Dati tecnici, Norme di sicurezza, Utilizzo conforme, Dichiarazione di Conformità CE, Collegamento alla rete, Manutenzione, Simboli	Si prega di leggere e conservare le istruzioni!	<b>Italiano</b>	<b>47</b>
Datos técnicos, Instrucciones de seguridad, Aplicación de acuerdo a la finalidad, Declaración de Conformidad CE, Conexión eléctrica, Mantenimiento, Símbolos	Lea y conserve estas instrucciones por favor!	<b>Español</b>	<b>53</b>
Características técnicas, Instruções de segurança, Utilização autorizada, Declaração de Conformidade CE, Ligação à rede, Manutenção, Símbolos	Por favor leia e conserve em seu poder!	<b>Português</b>	<b>59</b>
Technische gegevens, Veiligheidsadviezen, Voorgeschreven gebruik van het systeem, EC-Konformiteitsverklaring, Net aansluiting, Onderhoud, Symbolen	Lees en let goed op deze adviezen!	<b>Nederlands</b>	<b>65</b>
Tekniske data, Sikkerhedshenvisninger, Tiltænkning, CE-Konformitetserklæring, Netttilslutning, Vedligeholdelse, Symboler	Vær venlig at læse og opbevare!	<b>Dansk</b>	<b>71</b>
Tekniske data, Spesielle sikkerhetshenvisninger, Formålsmessig bruk, CE-Samsvarserklæring, Nettettkopling, Vedlikehold, Symboler	Vennligst les og oppbevar!	<b>Norsk</b>	<b>77</b>
Tekniska data, Säkerhetsutrustning, Använd maskinen Enligt anvisningarna, CE-Försäkran, Nätslutning, Skötsel, Symboler	Läs igenom och spara!	<b>Svenska</b>	<b>82</b>
Tekniset arvot, Turvallisuusohjeet, Tarkoituksenmukainen käyttö, Todistus CE-standardinmukaisuudesta, Verkkoliitäntä, Huolto, Symbolit	Lue ja säilytä!	<b>Suomi</b>	<b>88</b>
Τεχνικά στοιχεία, Ειδικές υποδείξεις ασφαλείας, Χρήση σύμφωνα με το σκοπό προοριζομένου, Δήλωση πιστότητας ΕΚ, Σύνδεση στο Ηλεκτρικό Δίκτυο, Συντήρηση, Σύμβολα.	Παρακαλούμε να τις διαβάσετε και να τις φυλάξετε!	<b>Ελληνικά</b>	<b>93</b>
Teknik veriler, Güvenliğiniz için talimatlar, Kullanım, CE uygunluk beyanice, Şebeke bağlantısı, Bakım, Semboller	Lütfen okuyun ve saklayın	<b>Türkçe</b>	<b>99</b>
Technická data, Speciální bezpečnostní upozornění, Oblast využití, CE-prohlášení o shodě, Připojení na síť, Údržba, Symboly	Po přečtení uschovejte	<b>Česky</b>	<b>104</b>
Technické údaje, Špeciálne bezpečnostné pokyny, Použitie podľa a predpisov, CE-Vyhľadanie konformity, Sieťová prípojka, Údržba, Symboly	Prosím prečítať a uschovať!	<b>Slovensky</b>	<b>109</b>
Dane techniczne, Specjalne zalecenia dotyczace bezpieczenstwa, Uzytkowanie zgodnie z przeznaczeniem, Swiadectwo zgodnosci ce, Podlaczenie do sieci, Utrzymanie, Symboly	Należy uważnie przeczytać i zachować do wglądu!	<b>Polski</b>	<b>114</b>
Műszaki adatok, Különleges biztonsági tudnivalók, Rendeltetésszerű használat, Ce-azonossági nyilatkozat, Hálózati csatlakoztatás, Karbantartás, Szimbólumok	Olvassa el és őrizze meg	<b>Magyar</b>	<b>120</b>
Tehnični podatki, Specialni varnostni napotki, Uporaba v skladu z namembnostjo, CE-izjava o konformnosti, Omežni priključek, Vzdrževanje, Simboli	Prosimo preberite in shranite!	<b>Slovensko</b>	<b>126</b>
Tehnički podaci, Specijalne sigurnosne upute, Propisna upotreba, CE-Izjava konformnosti, Priključak na mrežu, Održavanje, Simboli	Molimo pročitati i sačuvati	<b>Hrvatski</b>	<b>131</b>
Tehniske dati, Speciālie drošības noteikumi, Noteikumiem atbilstošs izmantojums, Atbilstība CE normām, Tikla pieslēgums, Apkope, Simboli	Lūdzu, izlasīt un uzglabāt!	<b>Latviski</b>	<b>136</b>
Techniniai duomenys, Ypatingos saugumo nuorodos, Naudojimas pagal paskirti, CE Atitikties pareiškimas, Elektros tinklo jungtis, Techninis aptarnavimas, Simboliai	Prašome perskaityti ir neišmesti!	<b>Lietuviškai</b>	<b>141</b>
Tehnilised andmed, Spetsiaalsed turvajuhised, Kasutamine vastavalt otstarbele, EÜ Vastavusavaldus, Võrku ühendamine, Hooldus, Symbolid	Palun lugege läbi ja hoidke alal!	<b>Eesti</b>	<b>146</b>
Технические данные, Указания по безопасности, Использование, Декларация о соответствии стандартам ЕС, Подключение к электросети, Обслуживание, Символы	Пожалуйста прочтите и сохраните эту инструкцию.	<b>Русский</b>	<b>151</b>
Технически данни, Специални указания за безопасност, Използване по предназначение, CE - Декларация за съответствие, Връзка с Електричество, Поддръжка, Символи	Моля прочетете и запазете!	<b>Български</b>	<b>158</b>
Date tehnice, Instrucțiuni de securitate, Condiții de utilizare specifice, Declarație de conformitate, Alimentare de la rețea, Intreținere, Simboluri	Va rugăm citiți și păstrați aceste instrucțiuni	<b>Română</b>	<b>164</b>
Технички податоци, Упатства за употреба, Специфицирани услови на употреба, ЕУ- декларација за Сообразност, Напојување од мрежата, Одржување, Символи	Ве молиме прочитајте го и чувајте го ова упатство!	<b>Македонски</b>	<b>170</b>
Технічні характеристики, Вказівки З Техніки Безпеки, Використання за призначенням, Сертифікат Відповідності Вимогам ЄС, Підключення до мережі, Обслуговування, Символи	Прочитайте та збережіть цю інструкцію.	<b>Українська</b>	<b>176</b>
البيانات الفنية، تعليمات السلامة، شروط الاستخدام المعدلة، توصيل الموصلات الرئيسية، إعلان المطابقة - الاتحاد الأوروبي، الصيانة، الرموز		يُرجى قراءة وحفظ هذه التعليمات!	<b>العربية</b>





4



12



4



13



5

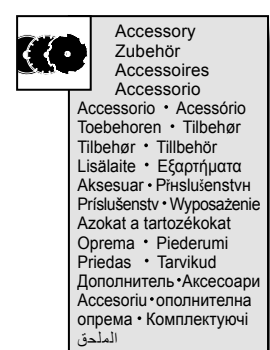
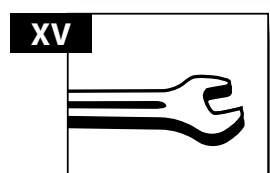
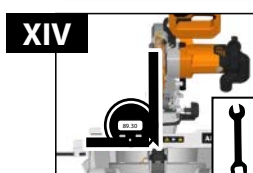
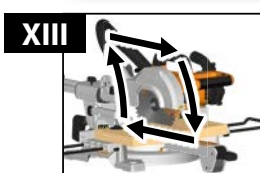
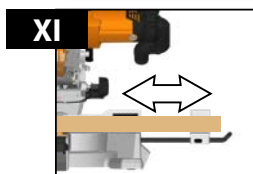
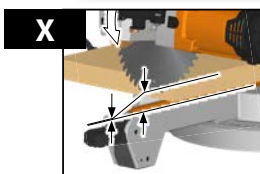
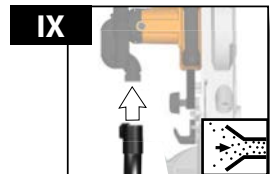
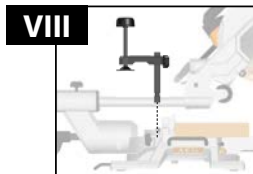
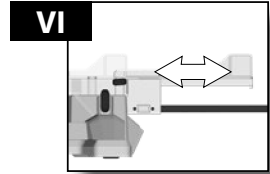
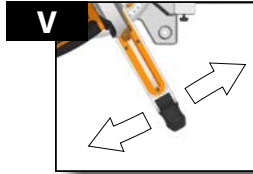
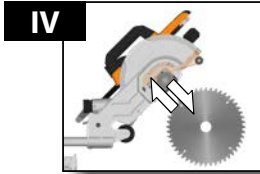
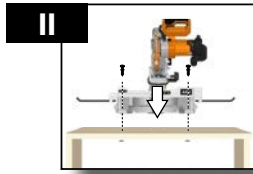
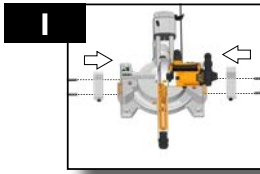


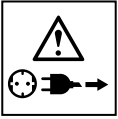
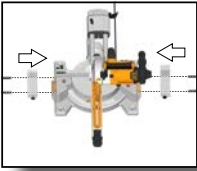
13



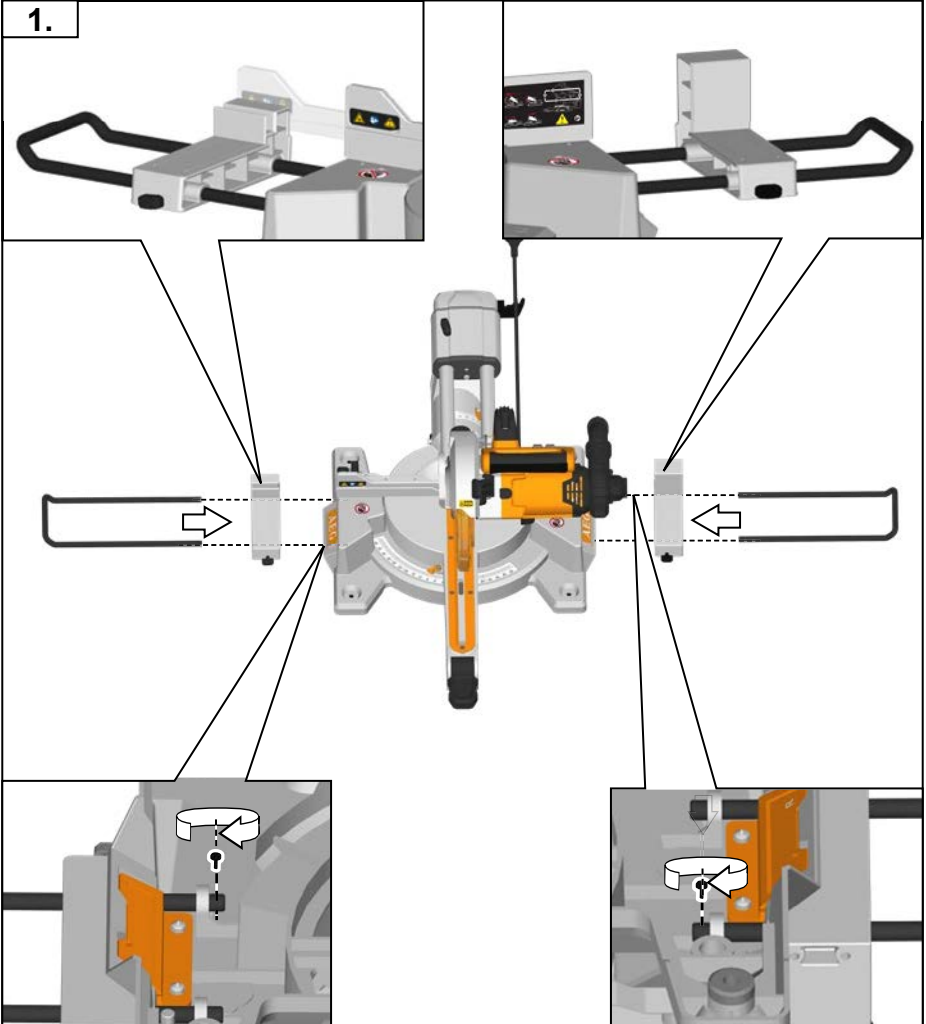
6

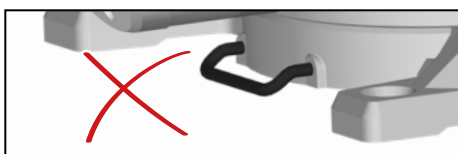
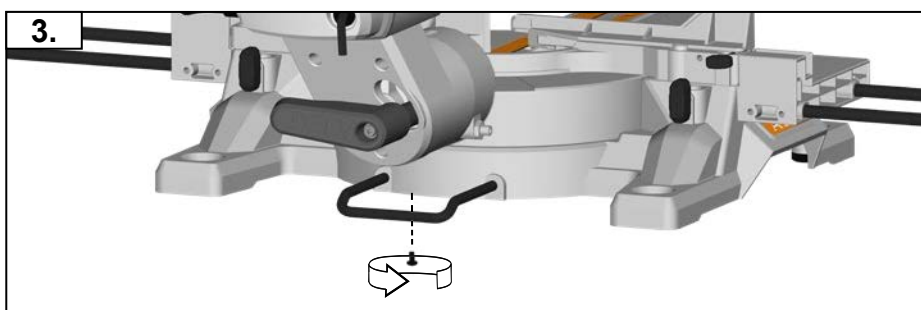
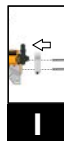
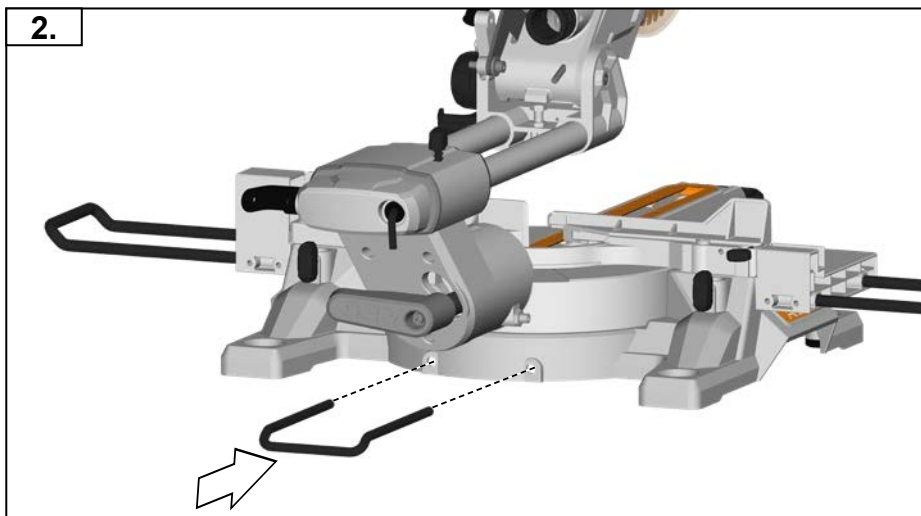
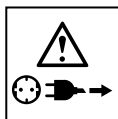
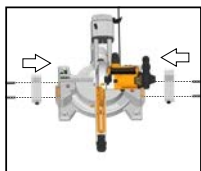


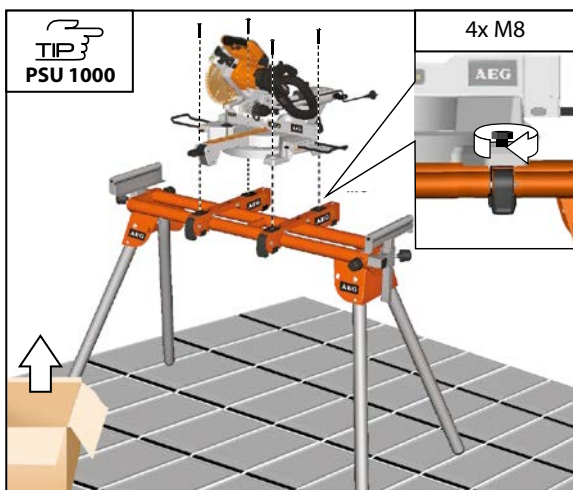
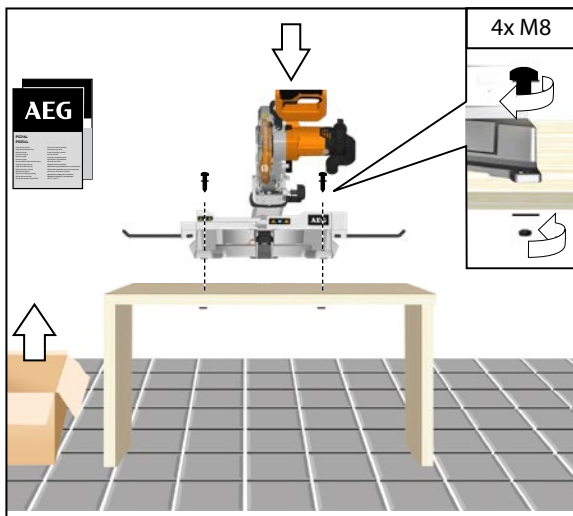
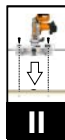
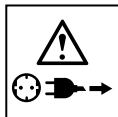
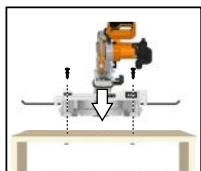




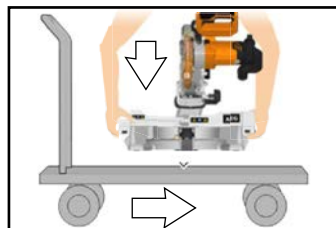
1.



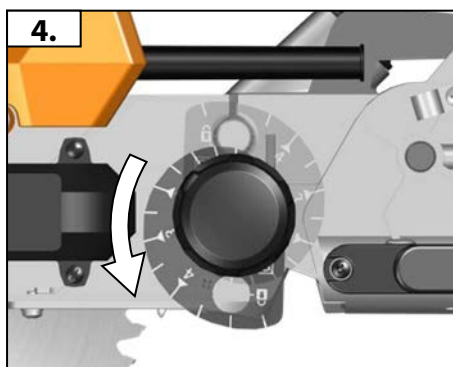
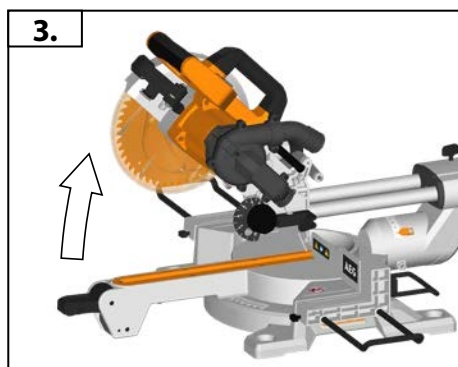
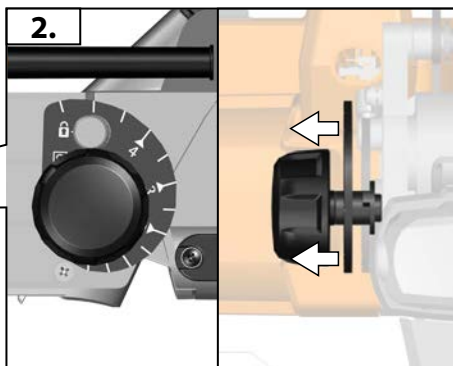
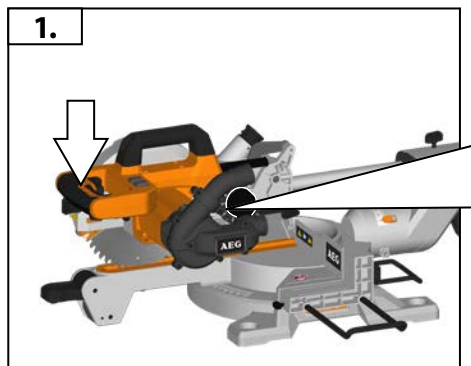
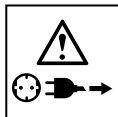
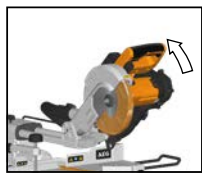


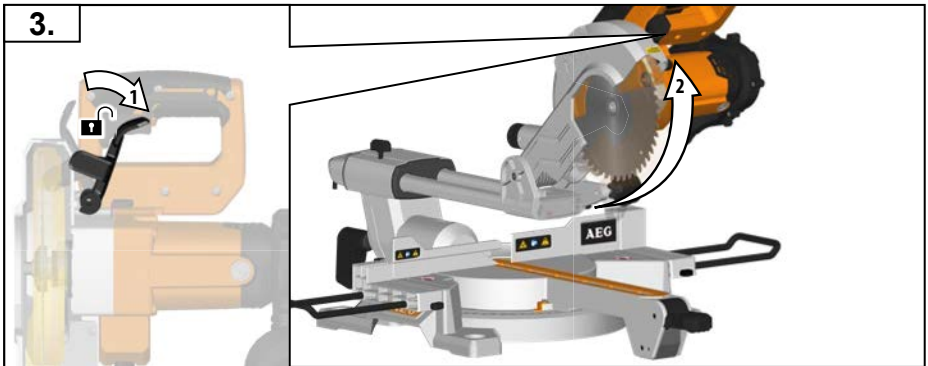
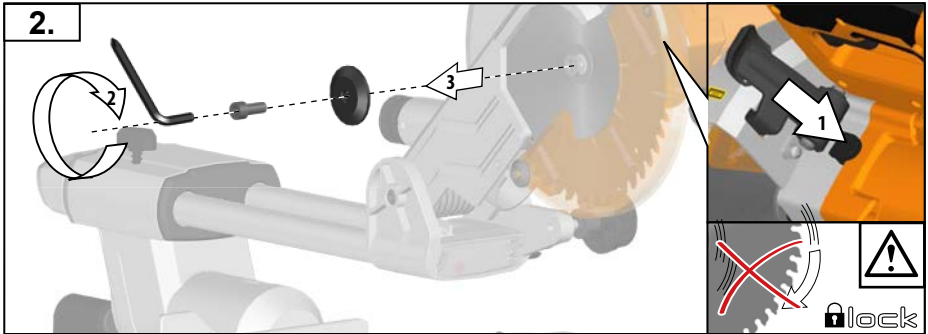
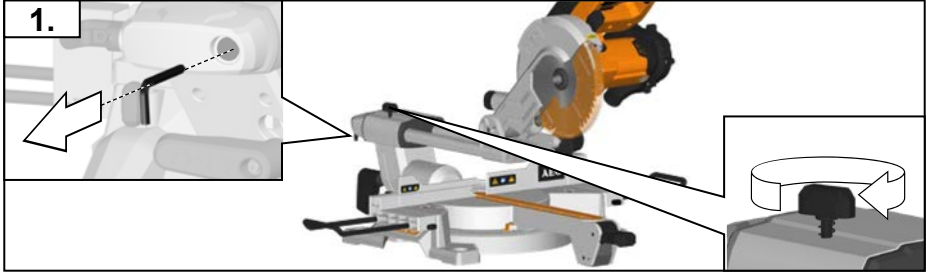
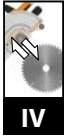


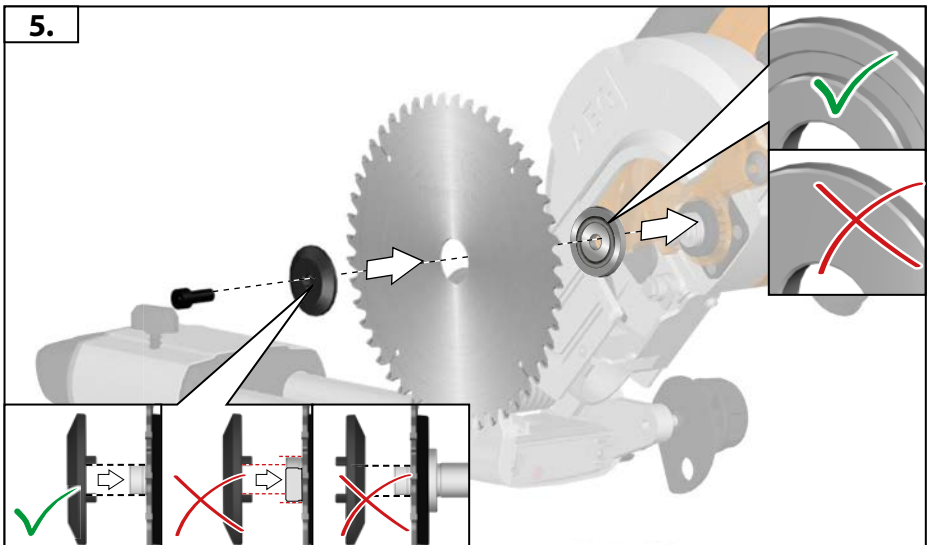
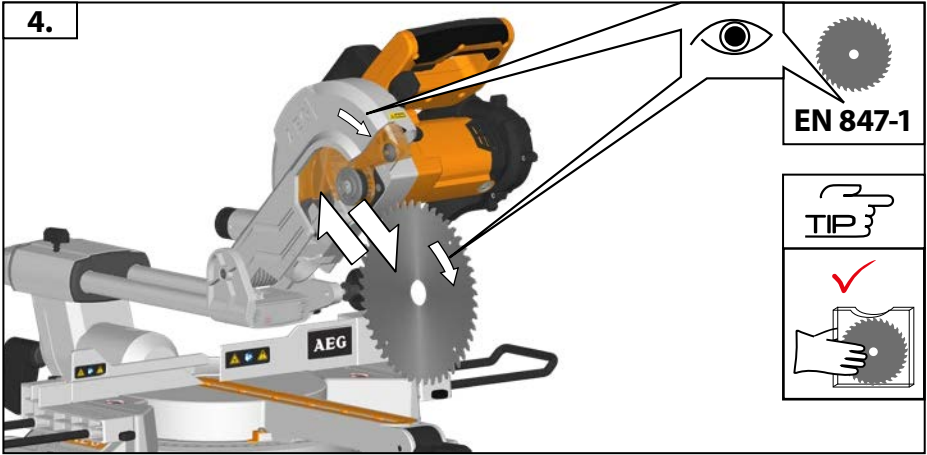
Not included in standard equipment.  
 Im Lieferumfang nicht enthalten.  
 Ces pièces ne font pas partie de la livraison.  
 on incluso nella dotazione standard.  
 No incluido en el equipo estándar.  
 Não incluído no equipamento normal.  
 Wordt niet meegeleverd.  
 Ikke inkludert i leveringsomfanget.  
 Inngår ikke i leveransen.  
 Ingår ej i leveransomfånget.  
 Ei sisälly vakiovarustukseen.  
 Δεν συμπεριλαμβάνεται  
 Teslimat kapsamında değildir.  
 V dodávce neobsaženo.  
 Nie stanowi wyposażenia standardowego  
 Nem tartozéka a készüléknek.  
 Ni v obsegu dobave.  
 U opsegu isporuke nije sadržano.  
 Komplektācijā nav ietverts.  
 Nejeina j komplektācijā.  
 Ei kuulu tarne komplekti.  
 Не входит в объем поставки  
 Не е включено в обема на доставката.  
 Nu este inclus in echipamentul standard  
 Не е включено во стандардна опрема  
 Не входит в обсяг постачання.  
 ليس مدرجا كمعدة قياسية

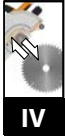




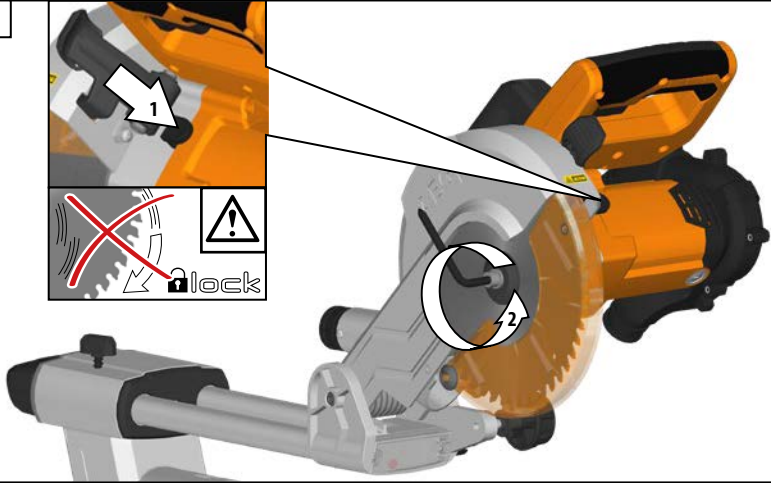
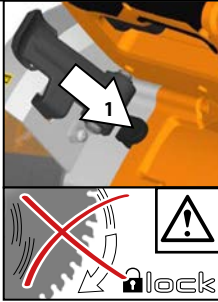






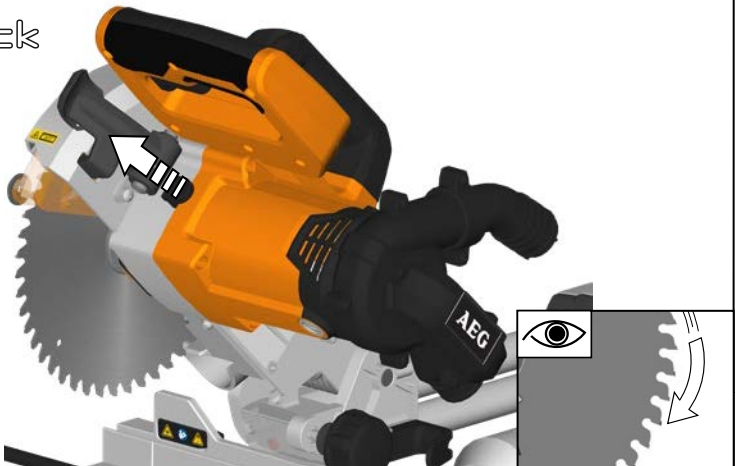


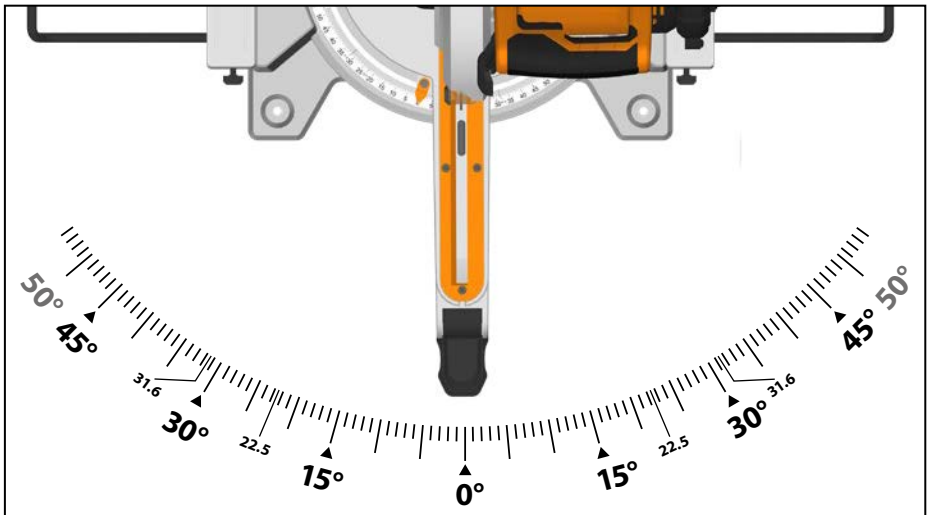
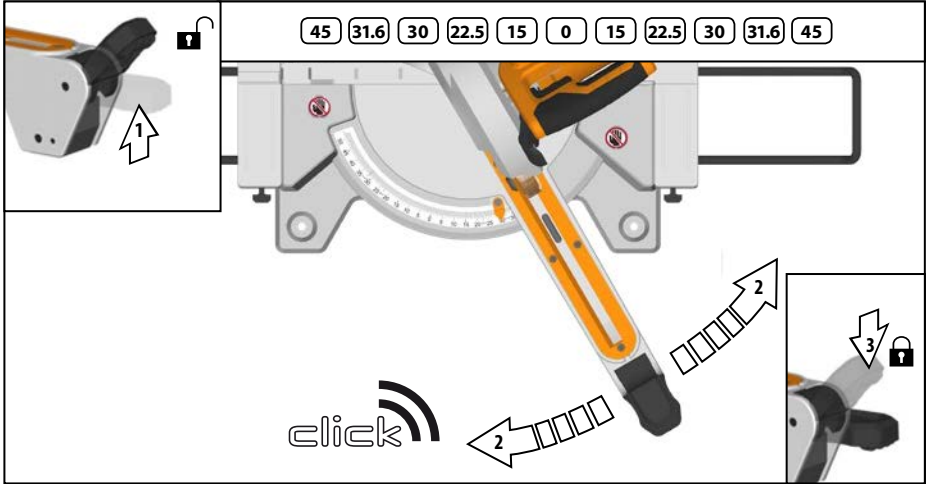
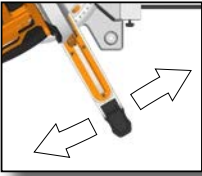
6.

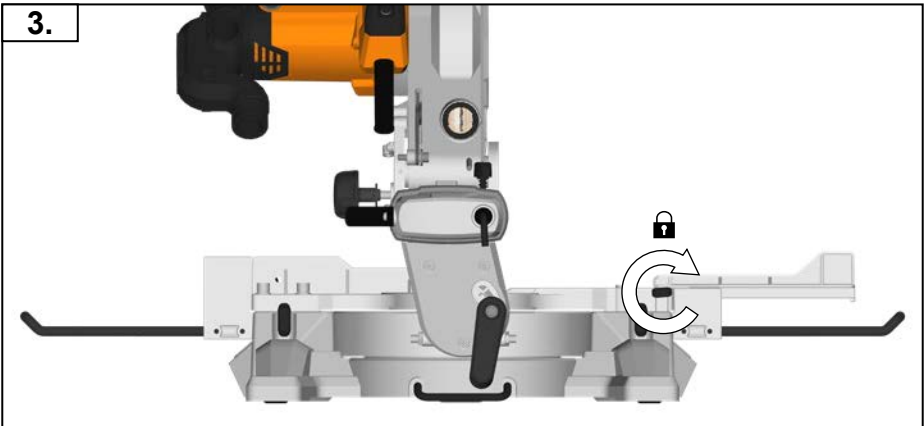
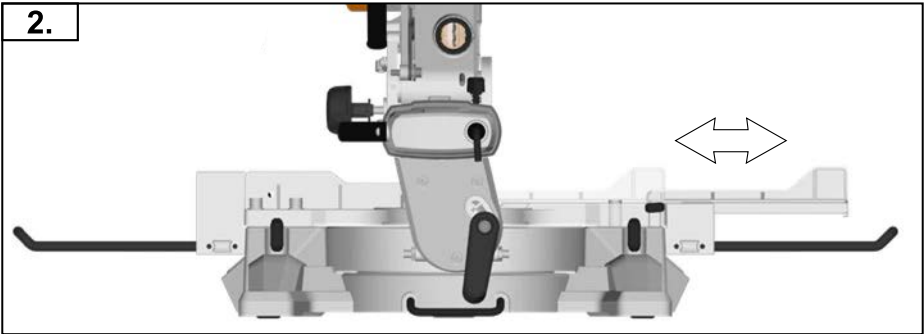
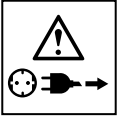
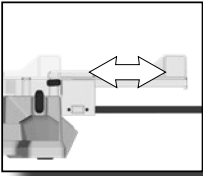


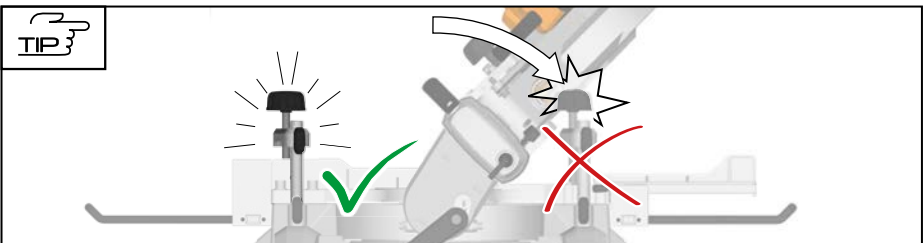
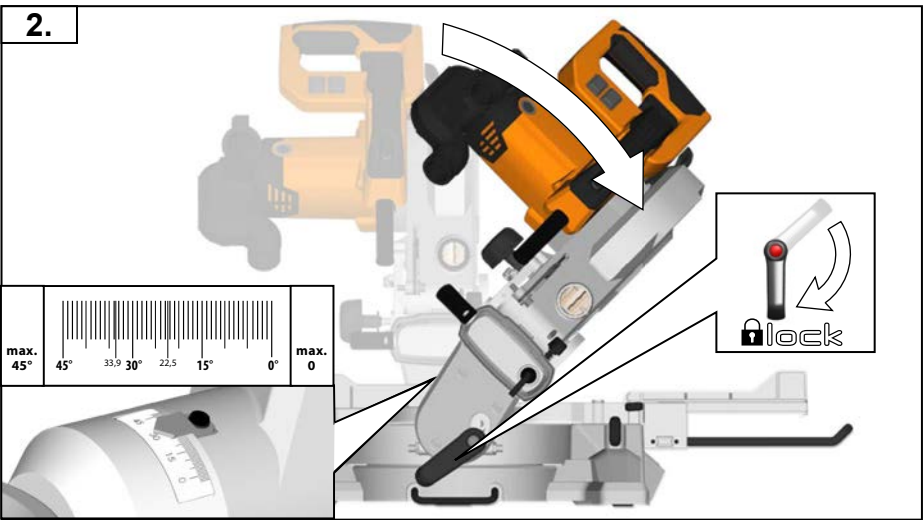
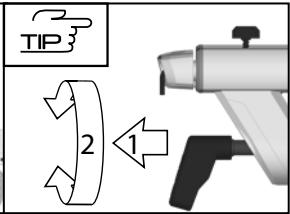
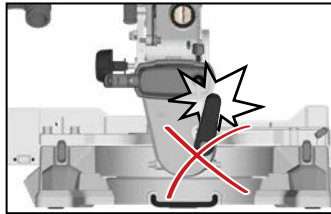
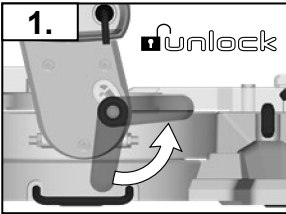
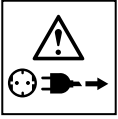
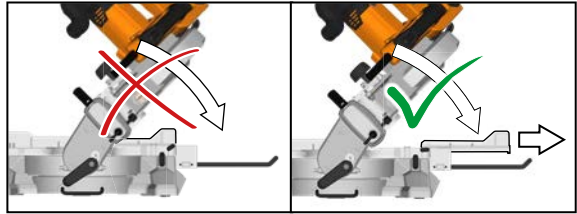
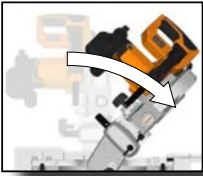
7.

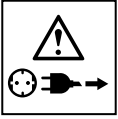
 unlock



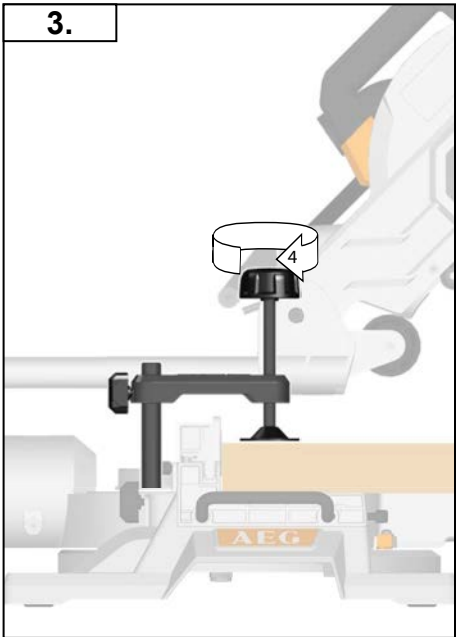
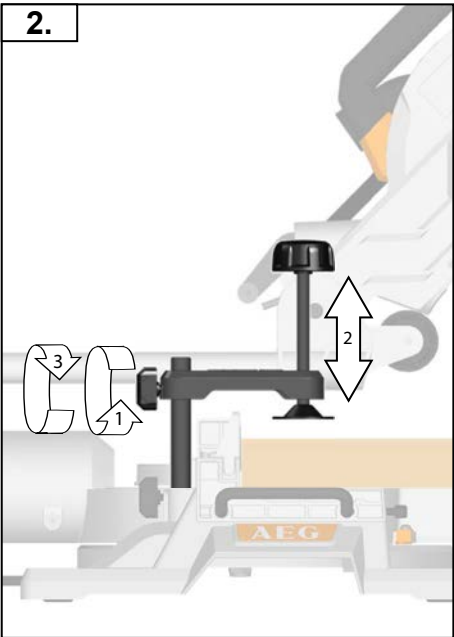
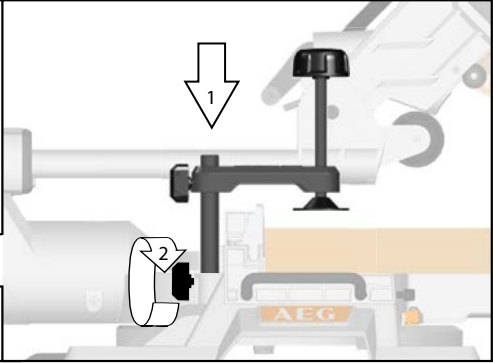
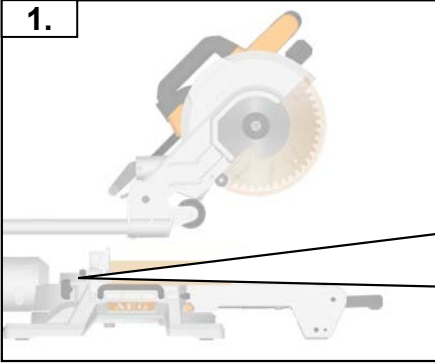




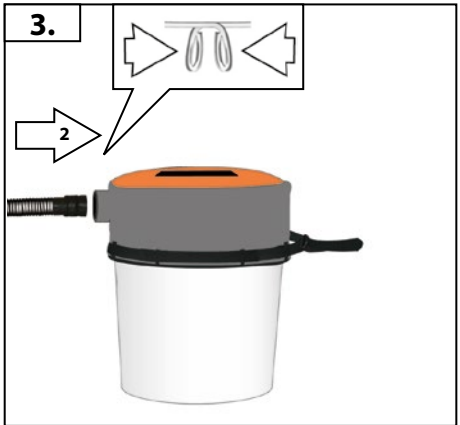
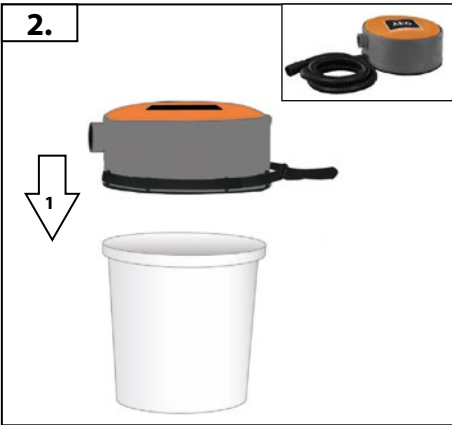
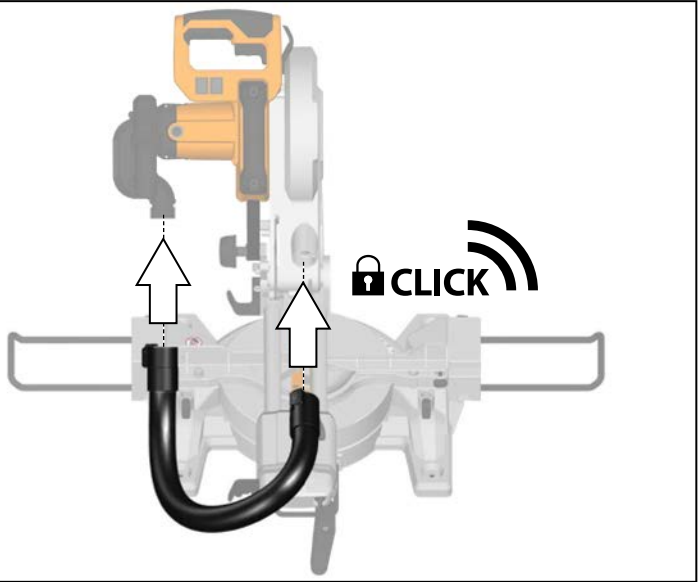
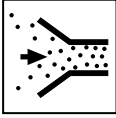
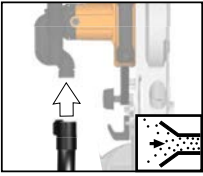


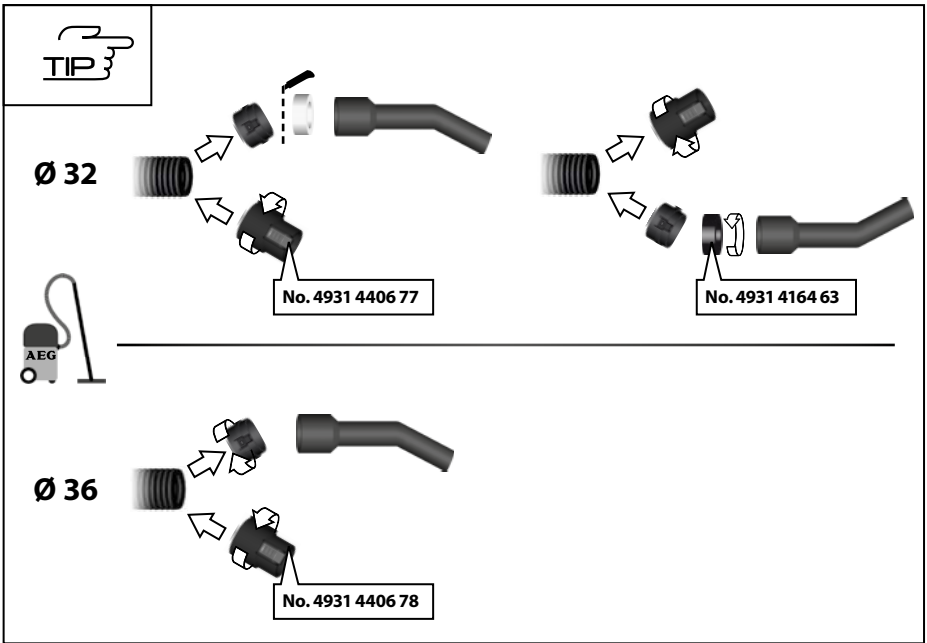
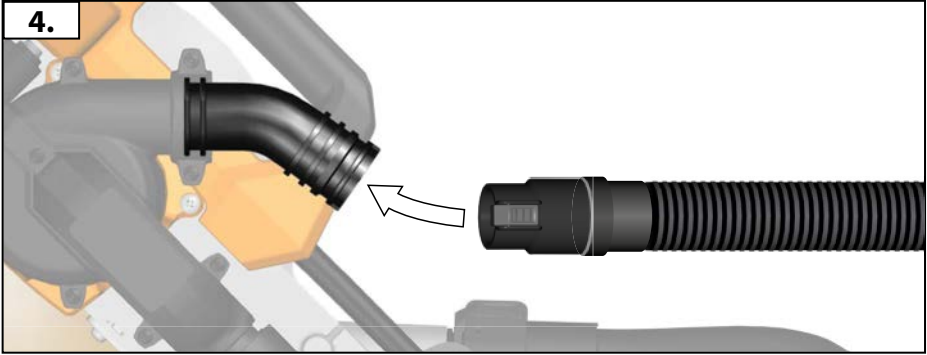
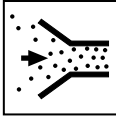
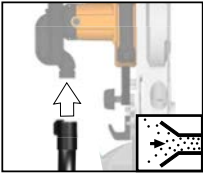


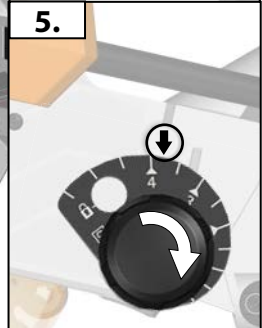
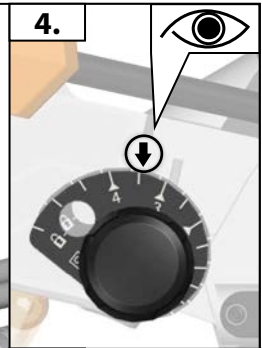
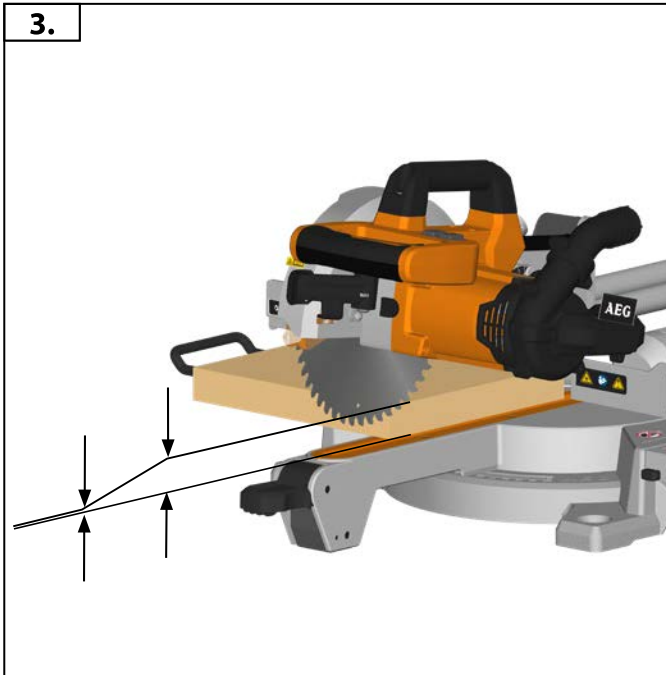
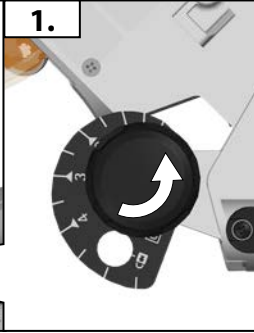
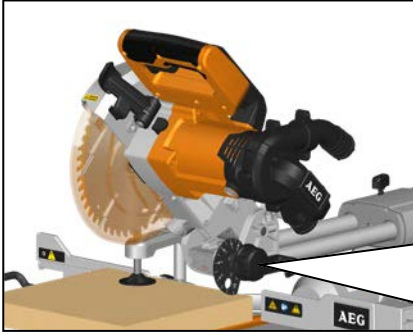
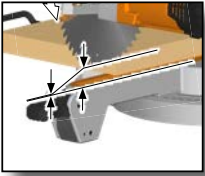
VIII

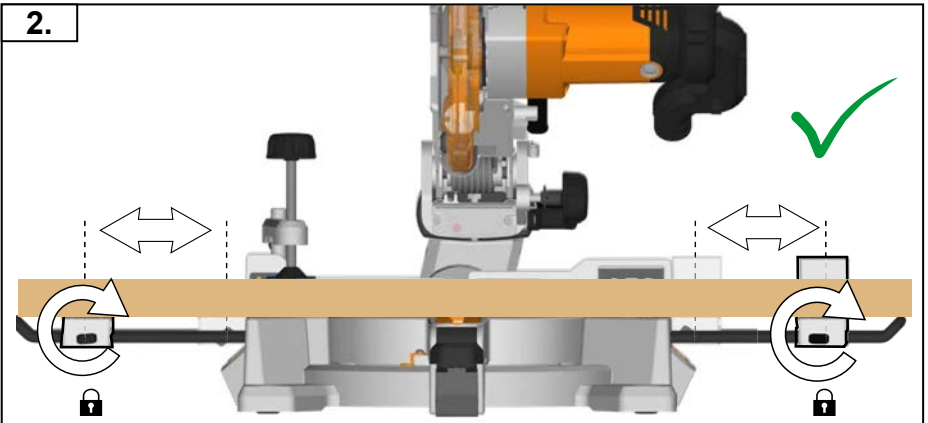
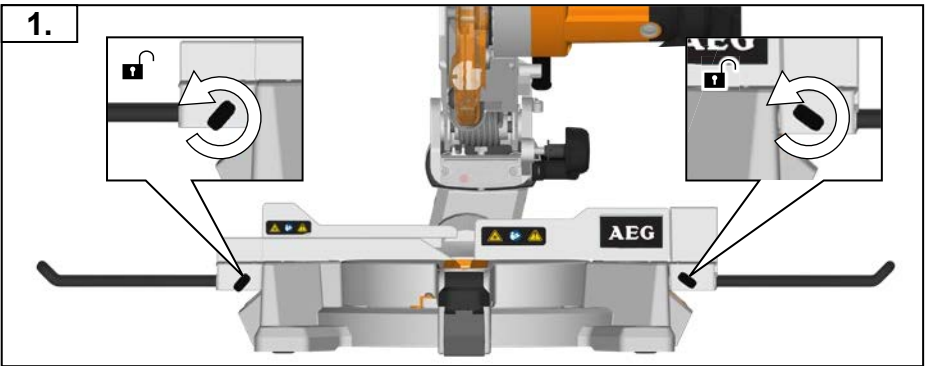
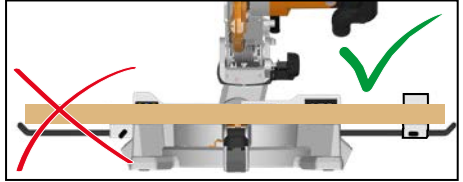
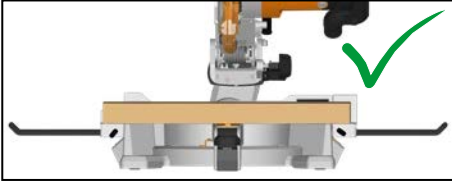
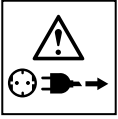
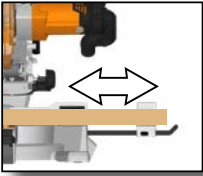






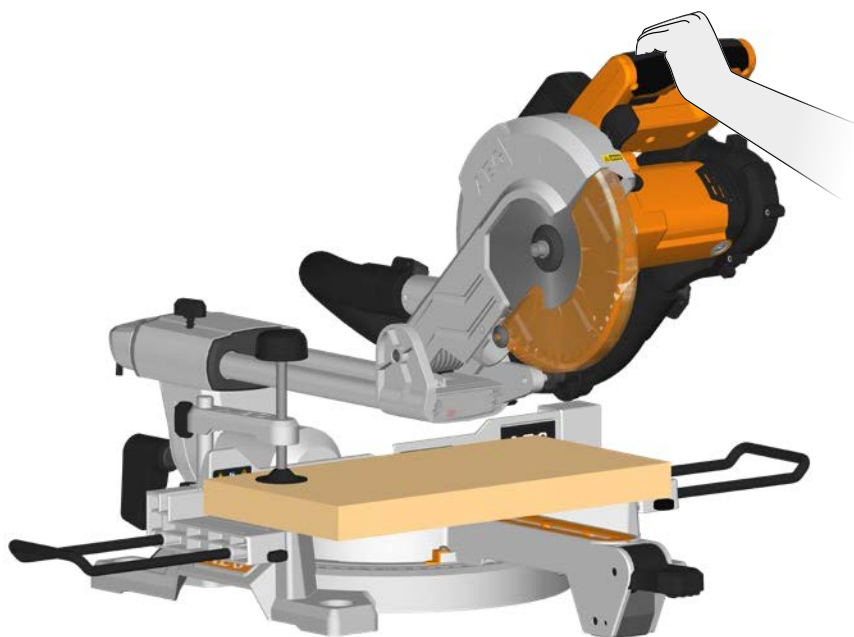








START  
STOP



START  
STOP  
XII

#### **Insulated gripping surface**

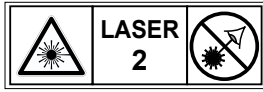
Isolierte Grifffläche  
Surface de prise isolée  
Superficie di presa isolata  
Superficie de agarre con aislamiento  
Superficie de pega isolada  
Geïsoleerde handgrepen  
Isolerede gribeflader  
Isolert gripeflate  
Isolerad greppyta

Eristetty tarttumapinta  
Μονωμένη επιφάνεια λαβής  
İzolasyonlu tutma yüzeyi  
Izolovaná uchopovací plocha  
Izolovaná úchopná plocha  
Izolowana powierzchnia uchwytu  
Szigetelt fogófelület  
Izolirana prijemalna površina  
Izolirana površina za držanje  
Izolēta satveršanas virsma

Izoliuotas rankenos paviršius  
Isoleeritud pideme piirkond  
Изолированная поверхность ручки  
Изолирана повърхност за хващане  
Suprafață de prindere izolată  
Изолирана површина на дршката  
Изольована поверхня ручки  
مساحة المقبض معزولة

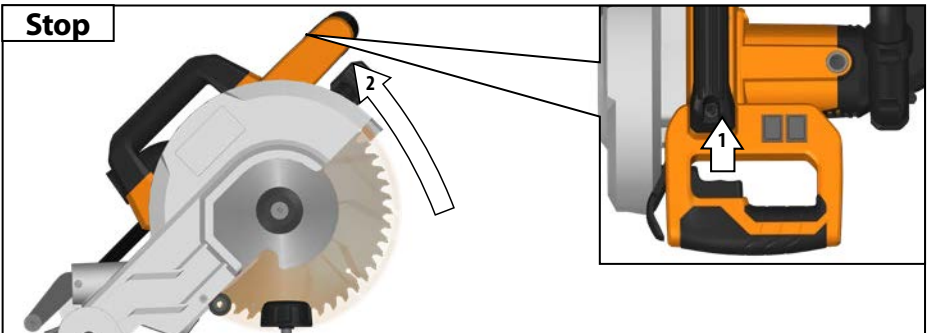
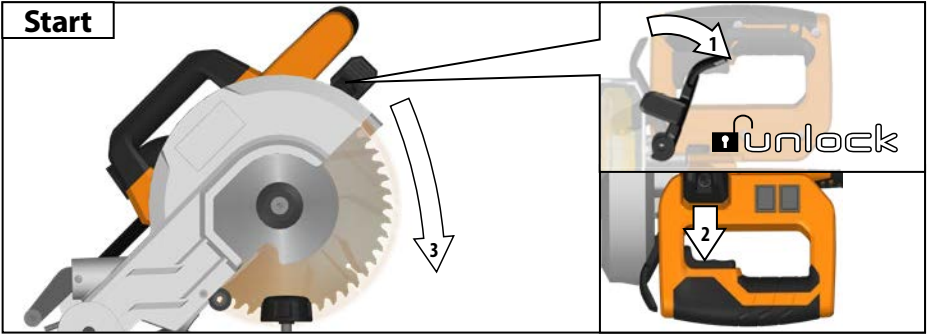
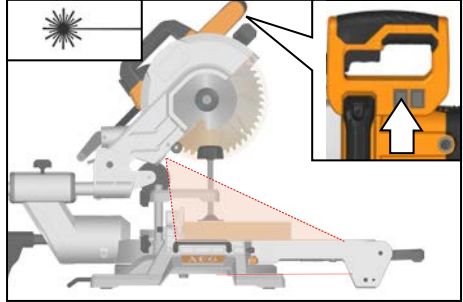
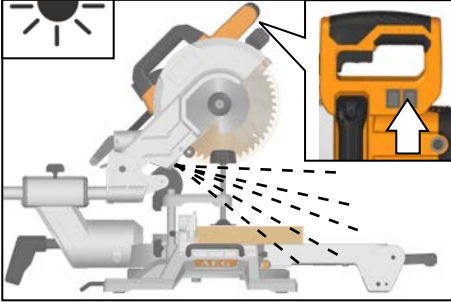


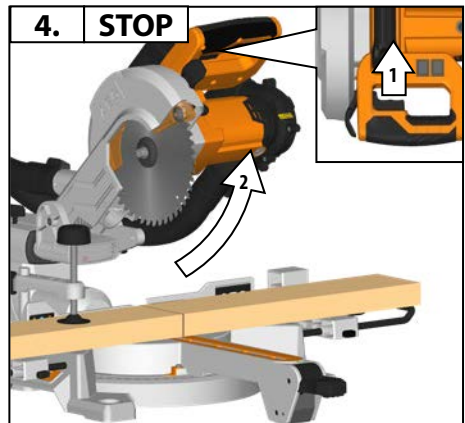
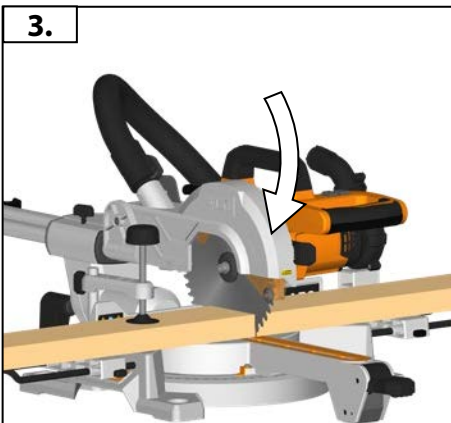
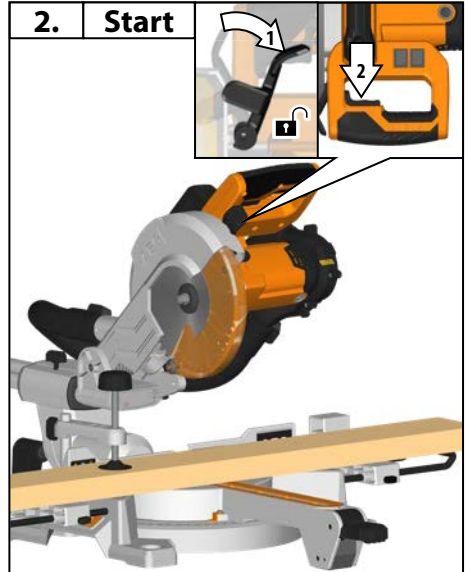
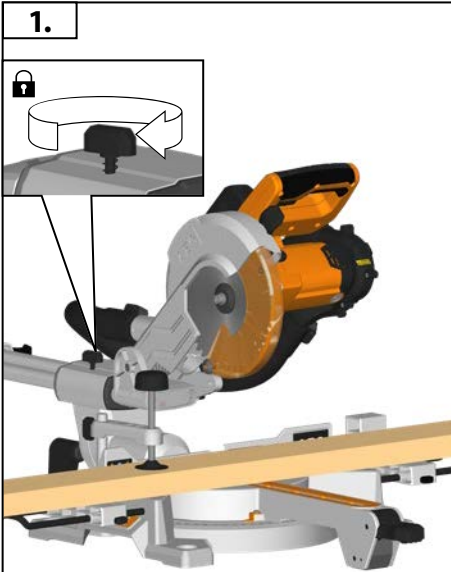
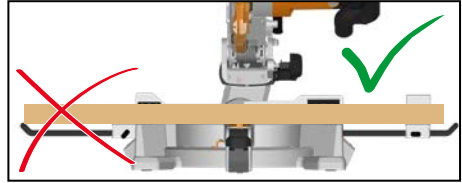
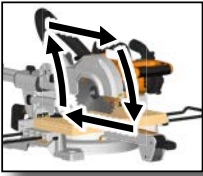
START  
STOP

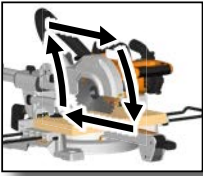


A: 650nm; P51mW EN 60825-1:2014

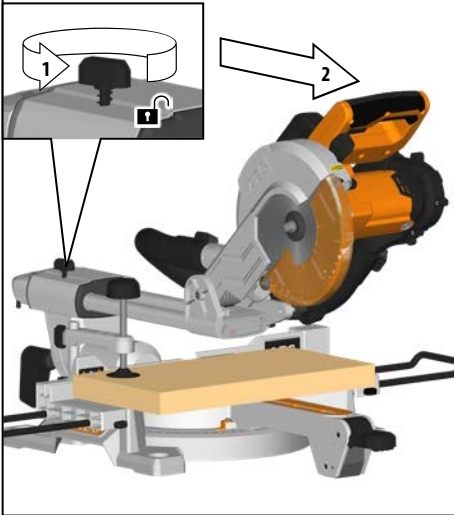
START  
STOP  
XII



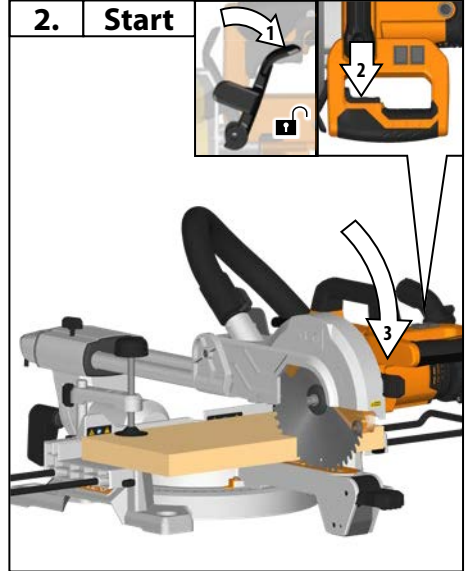




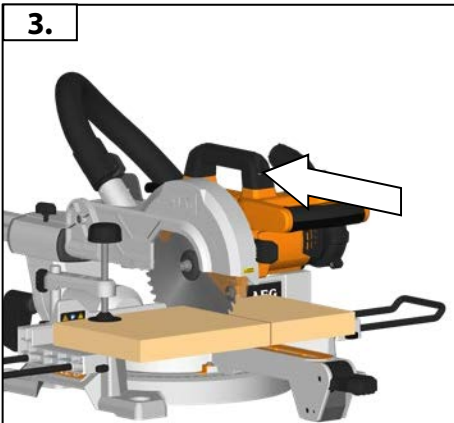
1.



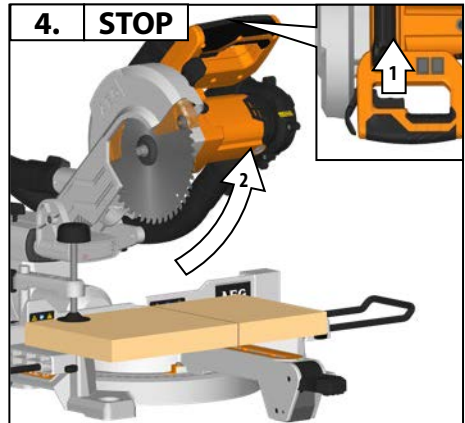
2. Start



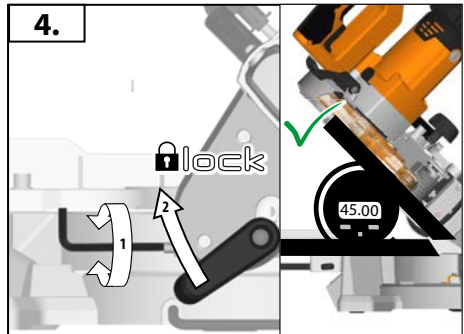
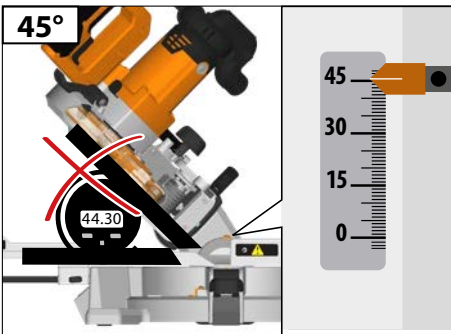
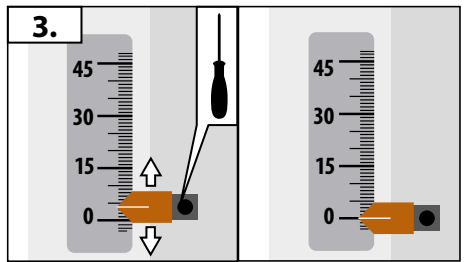
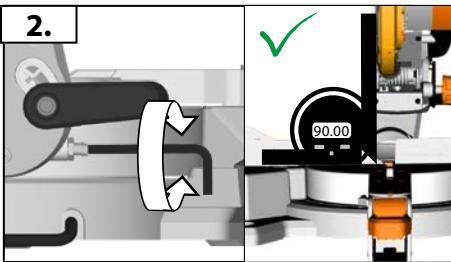
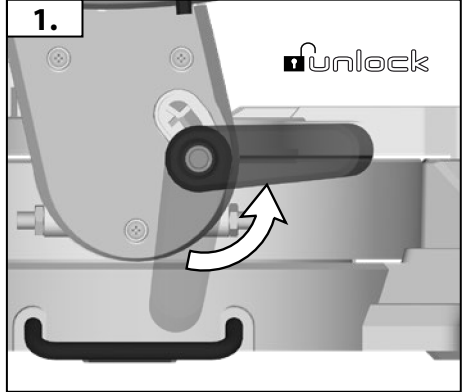
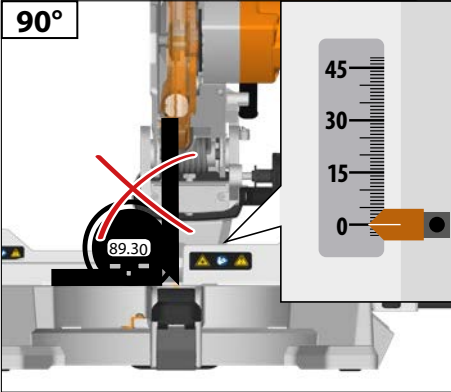
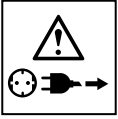
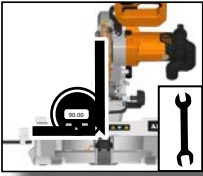
3.

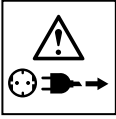
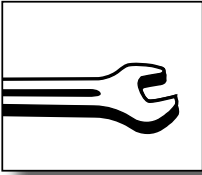


4. STOP









If a correction of the 90° angle of the guide-plate to the saw blade is necessary, use the correction screw.

Falls eine Korrektur des 90° Winkels der Führungsplatte zum Sägeblatt nötig ist, diese mit der Korrekturschraube durchführen

Si une correction de l'angle à 90° de la plaque de base par rapport à la lame de scie s'avère nécessaire, il convient alors d'avoir recours à la vis de correction.

Nella caso in cui si rendesse necessaria una correzione dell'angolo di 90° della piastra di base rispetto alla lama, questa potrà essere effettuata agendo sulla vite di correzione.

Si es necesario un ajuste o corrección de perpendicularidad (90°) del disco de sierra actuar sobre el tornillo de ajuste.

Caso se torne necessário corrigir a esquadria da base em relação ao disco de corte, agir sobre o parafuso de afinação.

Indien een correctie van de 90° hoek van de bodemplaat ten opzichte van het zaagblad nodig is kan deze worden gecorrigeerd met de correctieschroef.

Såfremt det er nødvendigt med en korrektion af bundpladens 90° vinkel i forhold til savklingen, gennemføres denne med korrektionsskruen.

Hvis det er nødvendigt å foreta en justering av 90°-vinkelen på føringsplaten i forhold til sagbladet, må dette gjøres med justeringsskruen.

sagbladet, må dette gjøres med justeringsskruen.

Med ställskruv är det möjligt att justera 90°-vinkeln, bottenplatta till sågklingen.

Mikäli pohjalevyn 90°-kulman oikaisu sahanterään nähden on tarpeen, oikaisu suoritetaan oikaisuruuvista.

Kilavuz levhanın testere biçişine 90°lik konumunda bir düzeltme gerekiyorsa, bunu düzeltme vidası ile yapın.

Je-li nutná oprava kolmosti vodičí desky k pilovému kotouči, provedte to nastavovacím šroubem.

Ak je potrebná korektúra 90° uhlu vodiacej platne k pilovému listu, použite korekčnú skrutku.

Jeżeli konieczne jest skorygowanie kąta ustawienia płytki prowadzącej 90° w stosunku do brzości, należy wykorzystać do tego celu śrubę regulacyjną.

Ha az alaplap és a fűrészlap által bezárt 90 fokos szög korrekcióra szorul, használja az állító csavart.

Če je potrebna korektura 90° kota vodilne plošče k žaginemu listu, opravite s pomočjo korekturnega vijaka.

Ako je potrebno korektura kuta vodeće ploče od 90° prema listu pile, ovu izvesti sa vijkom za korekturu.

Gadjumä, ja nepieciešama atbalsta plāksnes 90° leņķa korekcija attiecībā pret zāģa ripu, izmantojiet korekcijas skrūvi.

Jei tarp kreipiamosios ir pjūklų reikalinga 90° laipsnių pataisa, tai atlikite pataisos varžtų.

Juhul kui on vaja parandada juhtplaadi 90° nurka saelehe suhtes, siis tehke seda korrigeeriva kruviga.

Для регулировки угла 90 град направляющей шины пильного полотна служит

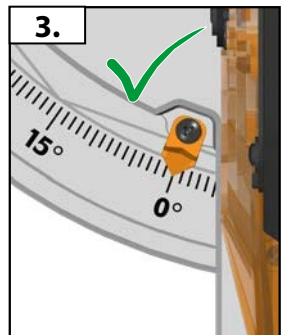
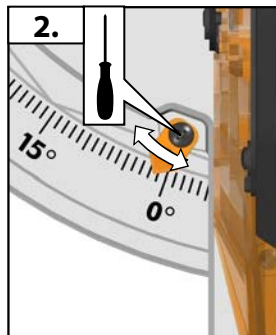
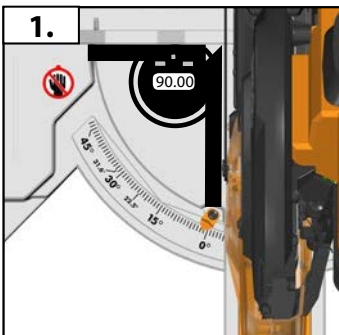
регулирующий винт Ако е необходима корекция на ъгъла от 90° наводещата плоча спрямо режещия диск, направете я с коригирация винт.

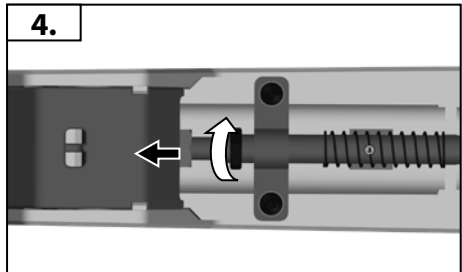
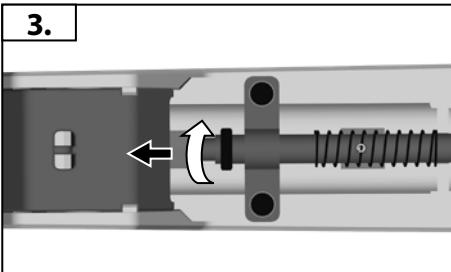
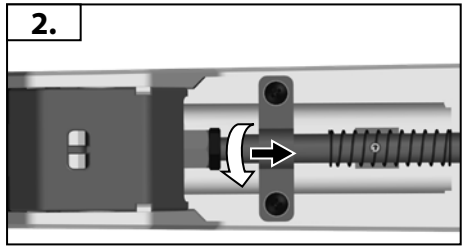
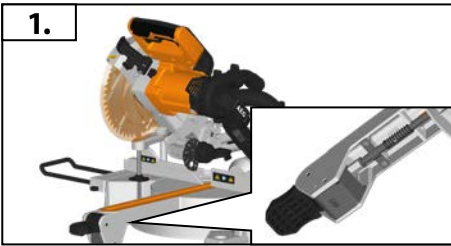
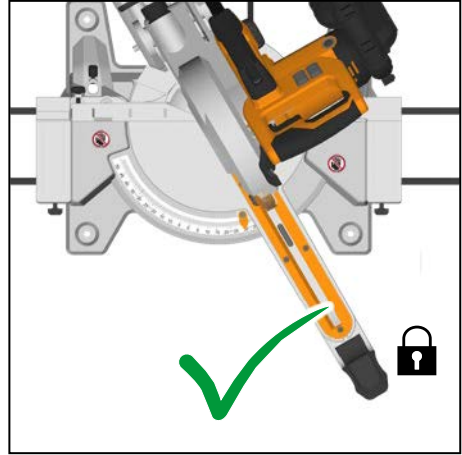
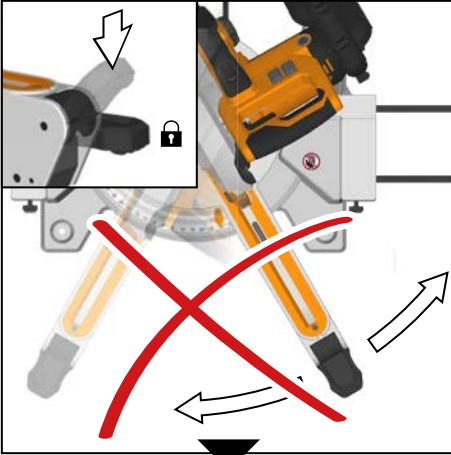
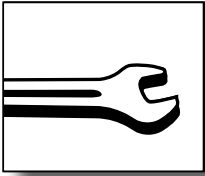
Dačã este necesarã o corecție în unghi de 90° a plăcii de ghidare față de lama ferăstrăului, utilizați șurubul de corecție.

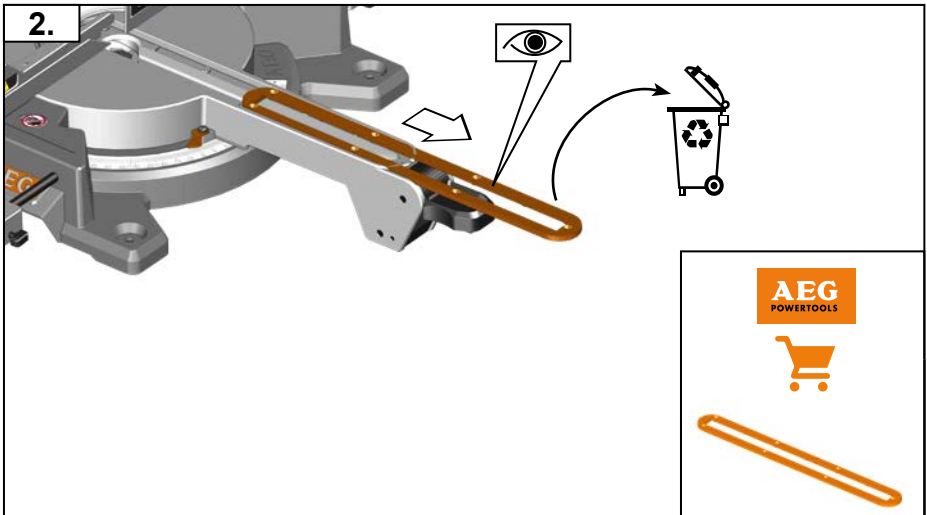
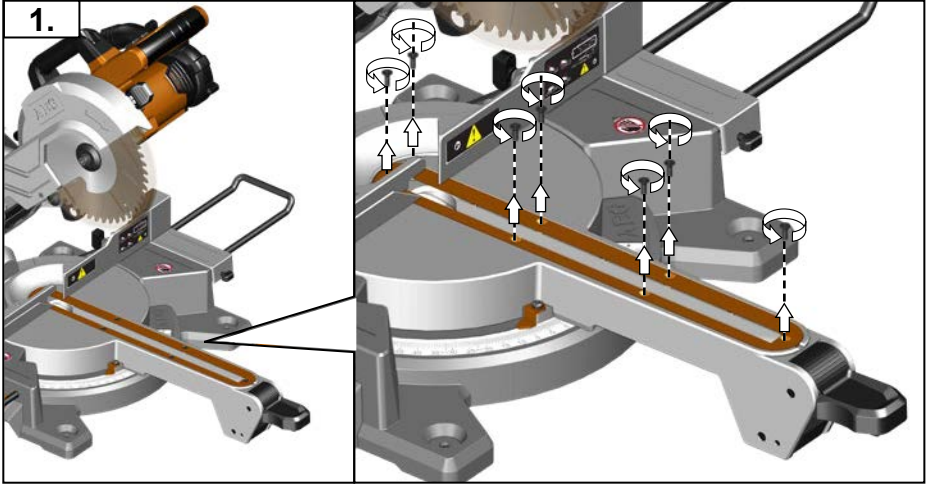
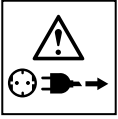
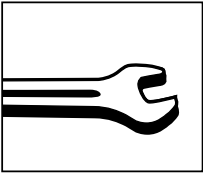
Доколку е потребно коригирање на аголот од 90° водечката површина кон сечилото на пилата, користет го шрафот за корекција.

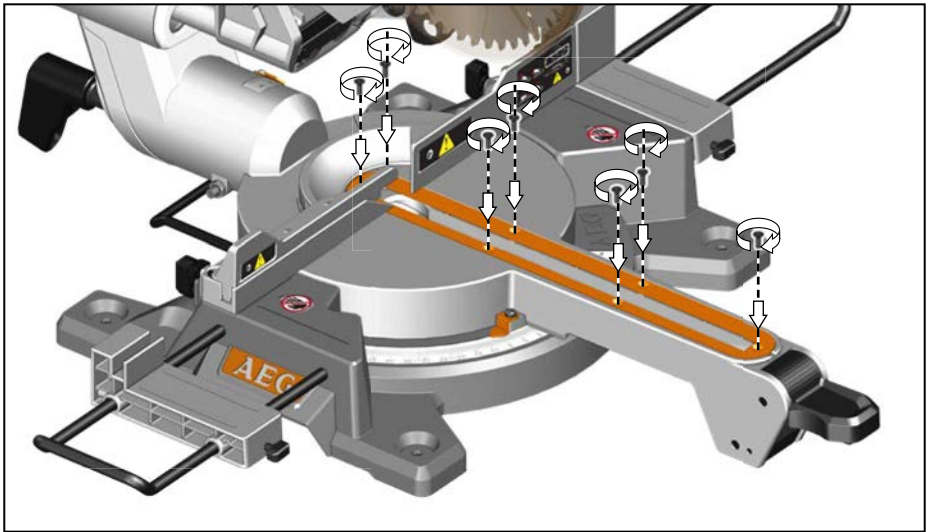
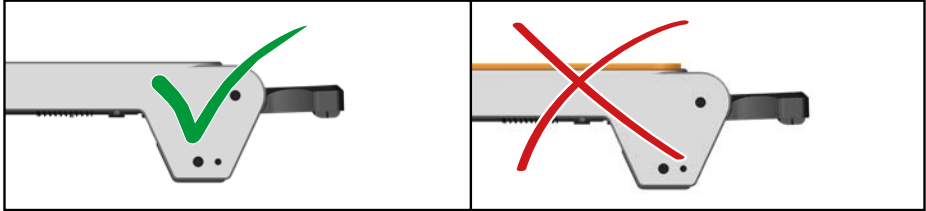
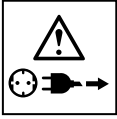
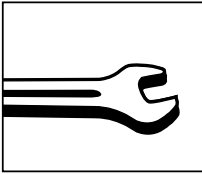
Якщо необхідна корекція кута 90° напрямної пластини пилкового диску, виконати корекцію за допомогою регулювального гвинта

إذا تطلب الأمر تصحيح الزاوية القائمة للوحة التوجيه الخاصة بشفرة المنشار، استخدم برغي التصحيح للقيام بذلك.

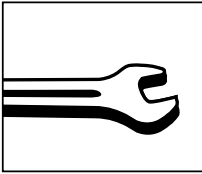




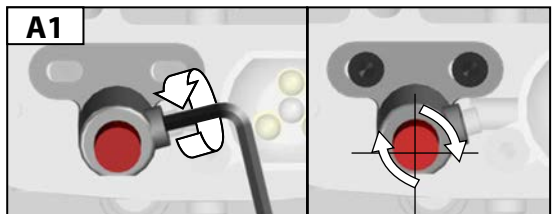
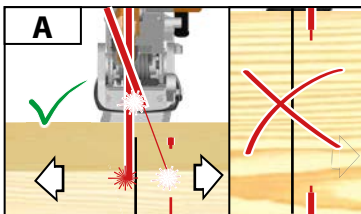
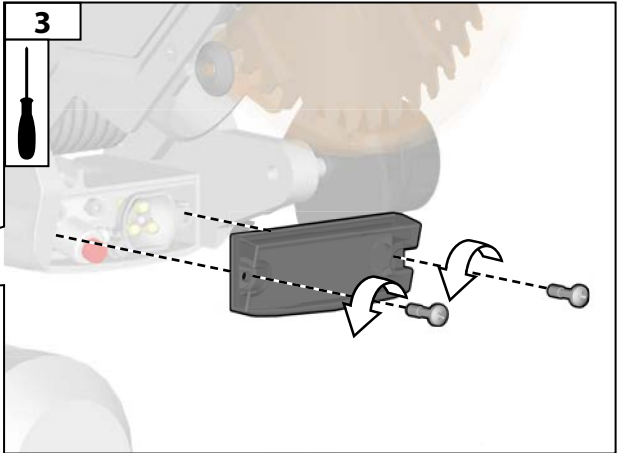
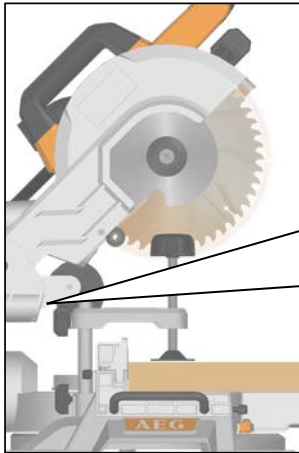
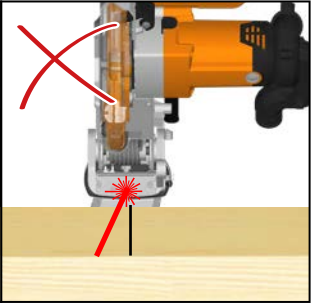
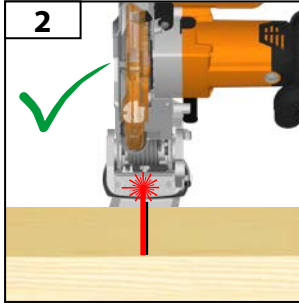
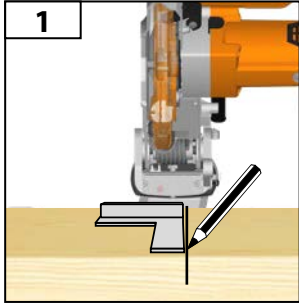
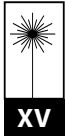


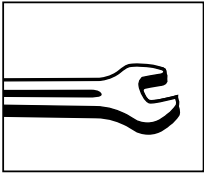


XV

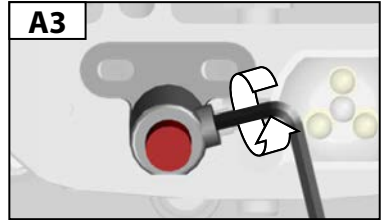
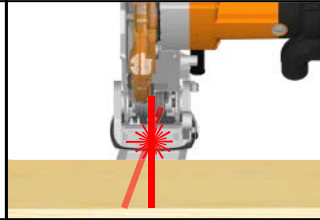
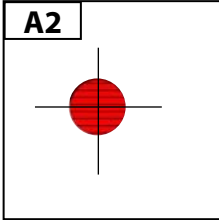


λ: 650nm; P51mW EN 60825-1:2014

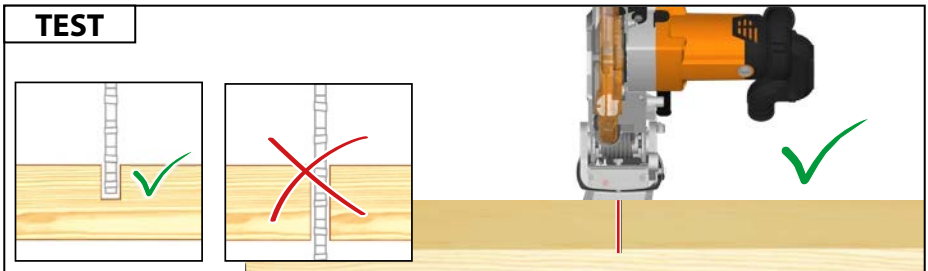
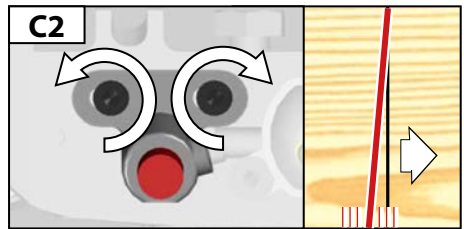
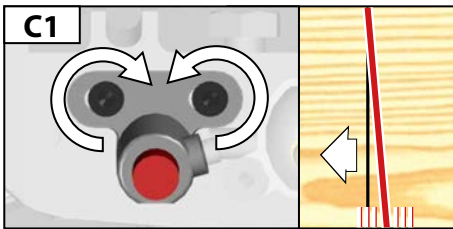
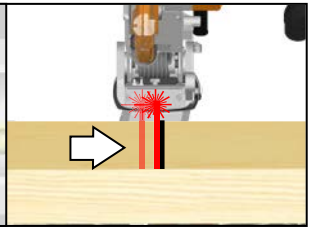
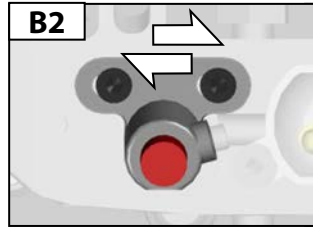
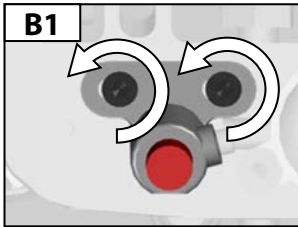


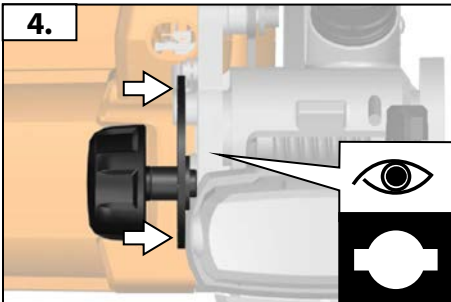
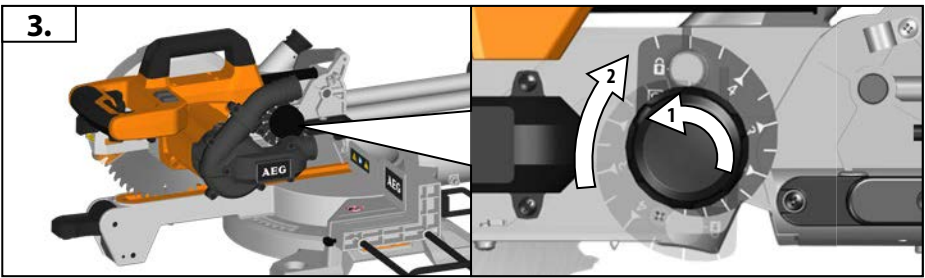
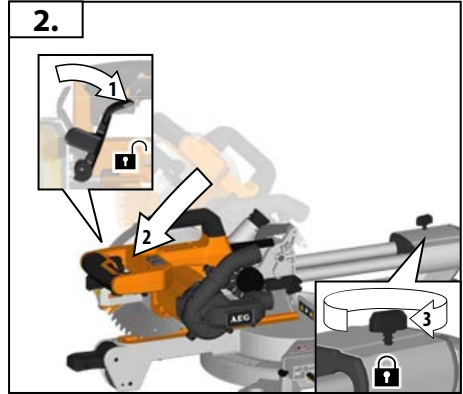
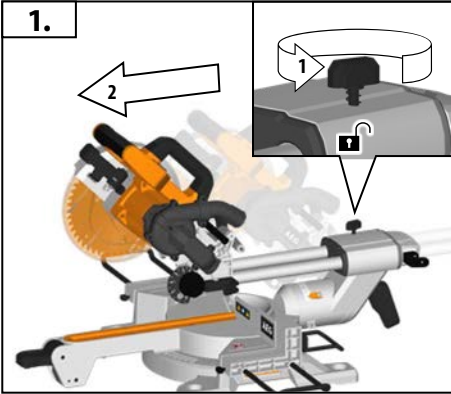


A: 650nm; P:51mW EN 60825-1:2014

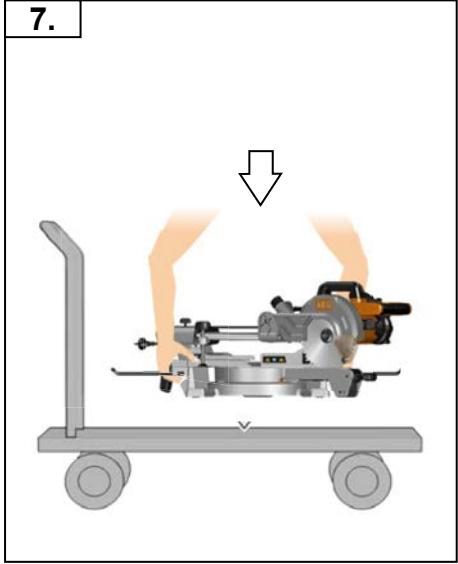
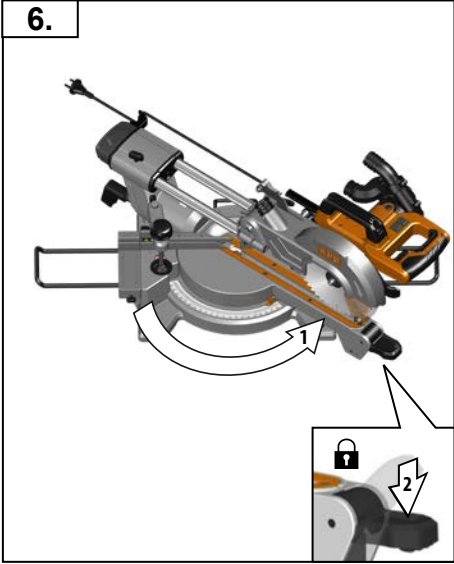
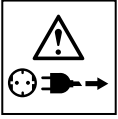


**XV**









TECHNICAL DATA Mitsubaw *	PS 216 L	PS 254 L
Production code	4699 98 01 ... ... 000001-999999	4699 99 01 ... 4740 22 01 ... ... 000001-999999
Rated input	220-240 V, 50 HZ, 1400W, 6,5 A	220-240 V, 50 HZ, 1800W, 8,7 A
No-load speed	5000 min <sup>-1</sup>	4500 min <sup>-1</sup>
Saw blade dia. x hole dia	216 x 30 mm	254 x 30 mm
Saw blade body thickness max.	1,6 mm	1,8 mm
Saw blade tooth thickness min.	2,4 mm	2,6 mm
Max. cutting capacity Mitre 0°/ Bevel 0° Mitre 45°/ Bevel 0° Mitre 0°/ Bevel 45° Mitre 45°/ Bevel 45°	65 x 305 mm 65 x 215 mm 36 x 305 mm 36 x 215 mm	90 x 305 mm 90 x 215 mm 50 x 305 mm 50 x 215 mm
Weight according EPTA-Procedure 01/2014	16,7 kg	19,6 kg
<b>Noise information</b> Measured values determined according to EN 62841. Typically, the A-weighted noise levels of the tool are:		
Sound pressure level (Uncertainty K=3dB(A))	99,27 dB (A)	95,15 dB (A)
Sound power level (Uncertainty K=3dB(A))	112,27 dB (A)	108,15 dB (A)
<b>Wear ear protectors!</b>		

\*PS ≙ Mitsubaw

### WARNING!

The declared noise emission value(s) have been measured in accordance with a standard test method of EN 62841-1 and EN 62841-3-9, and may be used for comparing one tool with another. The declared noise emission value(s) may also be used in a preliminary assessment of exposure.

The noise emissions during actual use of the power tool can differ from the declared values depending on the ways in which the tool is used especially what kind of workpiece is processed.

Identify safety measures to protect the operator that are based on an estimation of exposure in the actual conditions of use (taking account of all parts of the operating cycle such as the times when the tool is switched off and when it is running idle in addition to the trigger time).

Wear ear protectors. Exposure to noise can cause hearing loss.

**⚠ WARNING** Read all safety warnings, instructions, illustrations and specifications provided with this power tool. Failure to follow all instructions listed below may result in electric shock, fire and/or serious injury.

**Save all warnings and instructions for future reference.**

### ⚠ SAFETY INSTRUCTIONS FOR MITRE SAWS

- a) Mitre saws are intended to cut wood or wood-like products, they cannot be used with abrasive cut-off wheels for cutting ferrous material such as bars, rods, studs, etc.** Abrasive dust causes moving parts such as the lower guard to jam. Sparks from abrasive cutting will burn the lower guard, the kerf insert and other plastic parts.
- b) Use clamps to support the workpiece whenever possible. If supporting the workpiece by hand, you must always keep your hand at least 100 mm from either side of the saw blade. Do not use this saw to cut pieces that are too small to be securely clamped or held by hand.** If your hand is placed too close to the saw blade, there is an increased risk of injury from blade contact.

**c) The workpiece must be stationary and clamped or held against both the fence and the table. Do not feed the workpiece into the blade or cut "freehand" in any way.** Unrestrained or moving workpieces could be thrown at high speeds, causing injury.

**d) Push the saw through the workpiece. Do not pull the saw through the workpiece. To make a cut, raise the saw head and pull it out over the workpiece without cutting, start the motor, press the saw head down and push the saw through the workpiece.** Cutting on the pull stroke is likely to cause the saw blade to climb on top of the workpiece and violently throw the blade assembly towards the operator.

**e) Never cross your hand over the intended line of cutting either in front or behind the saw blade.** Supporting the workpiece "cross handed" i.e. holding the workpiece to the right of the saw blade with your left hand or vice versa is very dangerous.

**f) Do not reach behind the fence with either hand closer than 100 mm from either side of the saw blade, to remove wood scraps, or for any other reason while the blade is spinning.** The proximity of the spinning saw blade to your hand may not be obvious and you may be seriously injured.

**g) Inspect your workpiece before cutting. If the workpiece is bowed or warped, clamp it with the outside bowed face toward the fence. Always make certain that there is no gap between the workpiece, fence and table along the line of the cut.** Bent or warped workpieces can twist or shift and may cause binding on the spinning saw blade while cutting. There should be no nails or foreign objects in the workpiece.

**h) Do not use the saw until the table is clear of all tools, wood scraps, etc., except for the workpiece.** Small debris or loose pieces of wood or other objects that contact the revolving blade can be thrown with high speed.

**i) Cut only one workpiece at a time.** Stacked multiple workpieces cannot be adequately clamped or braced and may bind on the blade or shift during cutting.

**j) Ensure the mitre saw is mounted or placed on a level, firm work surface before use.** A level and firm work surface reduces the risk of the mitre saw becoming unstable.

**k) Plan your work. Every time you change the bevel or mitre angle setting, make sure the adjustable fence is set correctly to support the workpiece and will not interfere with the blade or the guarding system.** Without turning the tool "ON" and with no workpiece on the table, move the saw blade through a complete simulated cut to assure there will be no interference or danger of cutting the fence.

**l) Provide adequate support such as table extensions, saw horses, etc. for a workpiece that is wider or longer than the table top.** Workpieces longer or wider than the mitre saw table can tip if not securely supported. If the cut-off piece or workpiece tips, it can lift the lower guard or be thrown by the spinning blade.

**m) Do not use another person as a substitute for a table extension or as additional support.** Unstable support for the workpiece can cause the blade to bind or the workpiece to shift during the cutting operation pulling you and the helper into the spinning blade.

**n) The cut-off piece must not be jammed or pressed by any means against the spinning saw blade.** If confined, i.e. using length stops, the cut-off piece could get wedged against the blade and thrown violently.

**o) Always use a clamp or a fixture designed to properly support round material such as rods or tubing.** Rods have a tendency to roll while being cut, causing the blade to "bite" and pull the work with your hand into the blade.

**p) Let the blade reach full speed before contacting the workpiece.** This will reduce the risk of the workpiece being thrown.

**q) If the workpiece or blade becomes jammed, turn the mitre saw off. Wait for all moving parts to stop and disconnect the plug from the power source and/or remove the battery pack. Then work to free the jammed material.** Continued sawing with a jammed workpiece could cause loss of control or damage to the mitre saw.

**r) After finishing the cut, release the switch, hold the saw head down and wait for the blade to stop before removing the cut-off piece.** Reaching with your hand near the coasting blade is dangerous.

**s) Hold the handle firmly when making an incomplete cut or when releasing the switch before the saw head is completely in the down position.** The braking action of the saw may cause the saw head to be suddenly pulled downward, causing a risk of injury.

#### WOOD CUTTING BLADE SAFETY WARNINGS

Please read the manual and instructions carefully before using the saw blade and the machine.

The machine must be in good condition, the spindle without deformation and vibration.

Do not use the saw without the guards in position, keep guards in good working order and properly maintained.

Ensure the operator is adequately trained in safety precautions, adjustment, and operation of the machine.

Always wear goggles and ear protection when using the machine. It is recommended to wear gloves, sturdy non-slip shoes and apron.

Before using any accessory, consult the instruction manual. The improper use of an accessory can cause damage and increase the potential for injury.

Use only blades specified in this manual, complying with EN 847-1.

Observe the maximum speed marked on the saw blade. Ensure the speed marked on the saw blade is at least equal to the speed marked on the saw.

Always use blades with correct size and shape of arbour holes. Blades that do not match the mounting hardware of the saw will run eccentrically, causing loss of control.

Do not use blades of larger or smaller diameter other than recommended. Do not use any spacers to make the blade fit onto the spindle.

Check the tips of the saw blade for damage or abnormal appearance before each use. Tips that are damaged or loose can become flying objects in use and increase the chance of personal injury.

Do not use cracked or distorted saw blades. Do not use saw blades which are damaged or deformed

Scrap the saw blade if damaged, deformed, distorted or cracked, repairing is not permitted.

Do not use HSS blades.

Ensure the saw blade is mounted correctly, tighten the arbor nut securely before use (tightening torque approx. 12 Nm).

Fastening screw and nuts shall be tightened using the appropriate spanner, etc.

Extension of the spanner or tightening using hammer blows is not permitted.

Make sure the blade and flanges are clean and the recessed sides of the collar are against the blade.

Make sure the blade rotates in the correct direction.

Before work, make a dummy cut without the motor turned on so the position of the blade, operation of the guards with respect to other machine parts and workpiece may be checked.

Never leave the machine unattended.

Do not apply lubricants on the blade when it is running.

Never perform any cleaning or maintenance work when the machine is still running and the head is not in the rest position.

Never attempt to stop a machine in motion rapidly by jamming a tool or other means against the blade, serious accidents can be caused unintentionally in this way.

Disconnect the saw from the mains supply or remove battery pack before changing blades or carrying out maintenance.



GB

Pay attention to blade packing and unpacking, it is easy to be injured by the sharp blade tips.

Use a blade holder or wear gloves when handling a saw blade.

Keep and store the blade in original packaging or other suitable packaging, keep in dry conditions and away from chemicals which may damage the blade.

#### ADDITIONAL SAFETY AND WORKING INSTRUCTIONS

Always clamp the workpiece safely and securely.

Ensure that the machine is always stable and secure (e.g. fixed to a bench).

Wear ear protectors. Exposure to noise can cause hearing loss.

Always wear safety goggles when using the machine. It is recommended to wear gloves for handling blades and rough material, as well as sturdy non-slip shoes which also protect the feet from workpieces that may fall from the cutting area.

Always make sure the power plug has been removed from the mains power source before making adjustments, lubricating or when doing any maintenance on the product.

Only plug-in when machine is switched off.

Never reach into the area near the blade, unless the blade has completely stopped.

Before use, thoroughly check the tool for any damage or material fatigue. Repairs should only be carried out by authorised Service Agents.

Always use the guards on the machine. Do not use the machine if the guards are not in place and working correctly.

The lower blade guard should only open when the blade is lowered to the workpiece and must always be able to move freely and close automatically.

Always fix and use extension bar holders for workpiece support during operation.

Never alter or modify the saw or its function. Your safety may be compromised.

Do not use saw blades which are cracked, damaged, or deformed.

Do not use saw blades made of high-speed steel.

Only use saw blades which are sharp. Replace blunt blades with a new replacement.

Always use blades with correct size and shape of arbour holes.

Blades that do not match the mounting hardware of the saw will run eccentrically, causing loss of control.

Use only woodworking blades specified in this manual, which comply with EN 847-1.

Do not use any flanges, washers, and nuts to secure the saw blade other than those supplied or indicated in the instruction manual.

It is necessary to select a saw blade which is suitable for the material being cut. Never use the product to cut materials other than those specified in the intended use section in this manual.

It is important to avoid overheating the blade and melting the plastic workpiece when cutting.

It is essential to adhere to the maximum speed specified on the saw blade. Only use saw blade that are marked with a speed equal or higher than the speed marked on the tool.

Replace the table insert when worn or damaged.

Before work, make a dummy cut without the motor turned on so the position of the blade, operation of the guards with respect to other machine parts, and workpiece may be checked.

When performing mitre, bevel or compound mitre cuts, adjust the sliding fence to ensure the correct clearance from the blade.

The bracket stop must always be engaged when transporting the product.

Keep the floor area free of loose material e.g. chips and cut-offs.

Refrain from removing any cut-offs or other parts of the workpiece from the cutting area whilst the machine is running and the saw head is not in the rest position.

Long workpieces must be adequately supported. The working area of the saw includes the whole extent of the workpiece. The operator should secure this area from accidental contact from other persons or objects which may move the workpiece during operation.

The dust produced when using this tool may be harmful to health. Do not inhale the dust. Use a dust absorption system and wear a suitable dust protection mask. Remove deposited dust thoroughly, e.g. with a vacuum cleaner.

Do not replace the LED or laser with a different type. Any repairs must only be carried out by the manufacturer or authorised service agent.

A power spike causes voltage fluctuations and may affect other electrical products in the same power line. Connect the product to a power supply with an impedance equal to  $0.3 \Omega$  to minimize voltage fluctuations. Contact your electric power supplier for further clarification.

#### SAFETY WARNINGS LASER

The laser radiation used in this saw is Class II with maximum  $P \leq 1\text{mW}$  and  $\lambda: 650\text{nm}$  wavelengths. Do not view directly with optical instruments. Failure to comply with the rules could result in serious personal injury.

Do not stare into beam during operation.

Do not project the laser beam directly into the eyes of others. Serious eye injury could result.

Do not place the laser in a position that may cause anyone to stare into the laser beam intentionally or unintentionally.

Do not use optical tools to view the laser beam.

Do not operate the laser around children or allow children to operate the laser.

Do not attempt to repair the laser device by yourself.

Do not attempt to change any parts of the laser device by yourself.

Any repairs must only be carried out by the manufacturer or authorised service agent.

Do not replace the installed laser with a different type.

#### SPECIFIED CONDITIONS OF USE

The slide compound mitre saw is intended for sawing solid and bonded wood with or without glued veneer, plastics, and materials similar to wood.

The slide compound mitre saw is intended to be used only by adult operators who have read the instruction manual and understand the risks and hazards.

The slide compound mitre saw is designed to be fixed at the base to a solid bench top. If the base is not securely fixed, the whole machine may move during cutting operations, which increases the possibility of serious personal injury.

The slide compound mitre saw is designed make bevel and mitre cuts. The capacities for the various cuts are provided in the product specifications in this manual.



The slide compound mitre saw is to be used in dry conditions, with excellent ambient lighting and adequate ventilation.

The slide compound mitre saw is intended for consumer use and should only be used as described above and is not intended for any other purpose.

### RESIDUAL RISK

Even when the slide compound mitre saw is used as prescribed, it is still impossible to completely eliminate certain residual risk factors. The following hazards may arise and the operator should pay special attention to avoid the following:

- Risk of contact with uncovered parts of the rotating saw blade.
- Kick-back of work pieces or parts of work pieces due to improper adjustment or handling.
- Catapulting of faulty carbide tips from the saw blade.
- Damage to the respiratory system.

NOTE: Wear respiratory protection masks containing filters appropriate to the materials being worked.

Ensure adequate workplace ventilation. Do not eat, drink or smoke in the work area.

Damage to hearing if effective hearing protection is not worn.

### WARNING

Dust from certain paintsm coatings and materials may cause irritation or allergic reactions to the respiratory system. Dust from wood such as oak, beech, MDF and others are carcinogenic. Material containing asbestos should only ever be worked or processed by qualified specialist operators.

### WARNING

Injuries may be caused, or aggravated, by prolonged use of a tool. When using any tool for prolonged periods, ensure you take regular breaks.

### KNOW YOUR PRODUCT

See page A.

- |                                       |                                      |
|---------------------------------------|--------------------------------------|
| 1. Handle, insulated gripping surface | 22. 45° bevel angle adjustment screw |
| 2. Switch trigger                     | 23. 90° bevel angle adjustment screw |
| 3. Safety lock lever                  | 24. LED switch                       |
| 4. Outer flange                       | 25. Laser switch                     |
| 5. Saw blade                          | 26. Spindle lock button              |
| 6. Lower guard                        | 27. Cutting depth adjustment plate   |
| 7. Fixed fence                        | 28. Cutting depth adjustment knob    |
| 8. Kerf plate                         |                                      |
| 9. Turn table lock handle             |                                      |
| 10. Top handle                        |                                      |
| 11. Upper guard                       |                                      |
| 12. Dust chute                        |                                      |
| 13. Linear rod stop knob              |                                      |
| 14. Clamp                             |                                      |
| 15. Bevel angle lock lever            |                                      |
| 16. Sliding fence                     |                                      |
| 17. Workpiece holder                  |                                      |
| 18. Extension bar                     |                                      |
| 19. Mounting holes x4                 |                                      |
| 20. Turntable                         |                                      |
| 21. Mitre scale                       |                                      |

### REPLACEMENT LIST

- PS 216 L: Mitresaw EN 847-1/ ø216 x ø30 x 2,4 / 48T / HW / n max. 7000 min-1 (Page A: No. 5)
- PS 254 L: Mitresaw EN 847-1/ ø254 x ø30 x 2,6 / 48T / HW / n max. 7400 min-1 (Page A: No. 5)
- Kkerf plate (Page A: No. 8)

### MAINS CONNECTION

Connect only to single-phase AC system voltage as indicated on the rating plate. It is also possible to connect to sockets without an earthing contact as the design conforms to safety class II.

Appliances used at many different locations including wet room and open air must be connected via a residual current device (FI, RCD, PRCD) of 30mA or less.

Only plug-in when machine is switched off.

Keep mains lead clear from working range of the machine. Always lead the cable away behind you.

Before use check machine, cable, and plug for any damages or material fatigue. Repairs should only be carried out by authorised Service Agents.

A power spike causes voltage fluctuations and may affect other electrical products in the same power line. Connect the product to a power supply with an impedance equal to 0.3 Ω to minimize voltage fluctuations.

Contact your electric power supplier for further clarification.

### MAINTENANCE

Do not modify this saw in any way or use accessories not approved by the manufacturer. Your safety and that of others may be compromised.

Do not use the saw if any switches, guards or other function of this saw does not work as it is intended to. Return to an authorised service centre for professional repair or adjustment.

Do not make any adjustments whilst the saw blade is in motion.

Always make sure the power plug has been removed from the mains power source before making adjustments, lubricating or when doing any maintenance on the product.

Before and after each use, check your saw for damage or broken parts and keep it in top working condition by replacing parts immediately with spares approved by the manufacturer.

The blade is very hot after use, wear gloves or allow to cool before maintenance or cleaning procedures.

Clean out accumulated dust using a brush or vacuum cleaner. Do not use compressed air.

To assure safety and reliability, all repairs, including changing brushes, should be performed by an authorised service centre.

Clean tool and guarding system with dry cloth.

The ventilation slots of the machine must be kept clear at all times.

If the replacement of the supply cord is necessary, this has to be done by the manufacturer or his agent in order to avoid a safety hazard.

Use only AEG accessories and spare parts. Should components need to be replaced which have not been described, please contact one of our AEG service agents (see our list of guarantee/service addresses).

If needed, an exploded view of the tool can be ordered. Please state the Article No. as well as the machine type printed on the label and order the drawing at your local service agents or directly at: Techtronic Industries GmbH, Max-Eyth-Straße 10, 71364 Winnenden, Germany.



GB

## EC-DECLARATION OF CONFORMITY

We declare under our sole responsibility that the product described under "Technical Data" fulfills all the relevant provisions of the directives

2011/65/EU (RoHS)

2006/42/EC

2014/30/EU

and the following harmonized standards have been used.

EN 62841-1:2015

EN 62841-3-9:2015+A11:2017

EN 55014-1:2017

EN 55014-2:2015

EN 61000-3-2:2014

EN 61000-3-11:2000

EN IEC 63000:2018



Winnenden, 2019-03-08

Alexander Krug / Managing Director  
Authorized to compile the technical file

Techtronic Industries GmbH  
Max-Eyth-Straße 10, 71364 Winnenden, Germany

## SYMBOLS



CAUTION! WARNING! DANGER!



Always disconnect the plug from the socket before carrying out any work on the machine.



WARNING-To reduce the risk of injury, user must read instruction manual!



Always wear goggles when using the machine.



Wear ear protectors!



Wear gloves!



Always keep hands away from the path of the saw blade.



This tool is only suitable for indoor use. Never expose tool to rain.



Dust chute connection port



Cut wood only.



Do not stare into beam.



This product corresponds to the laser class 2 in accordance with EN 60825-1:2014.



Saw blade dia. x hole dia



Rotation direction



Blade teeth



Width of cut



No-load speed



Voltage



AC Current



Class II tool. Tool in which protection against electric shock does not rely on basic insulation only, but in which additional safety precautions, such as double insulation or reinforced insulation, are provided.

There being no provision for protective earthing or reliance upon installation conditions.



Do not dispose of electric tools together with household waste material. Electric tools and electronic equipment that have reached the end of their life must be collected separately and returned to an environmentally compatible recycling facility. Check with your local authority or retailer for recycling advice and collection point.



European Conformity Mark



Ukraine Conformity Mark



EurAsian Conformity Mark

TECHNISCHE DATEN	PS 216 L	PS 254 L
<b>Kapp- und Gehrungssäge *</b>		
Produktionsnummer	4699 98 01 ... ... 000001-999999	4699 99 01 ... 4740 22 01 ... ... 000001-999999
Nennaufnahmeleistung	220-240 V, 50 HZ, 1400W, 6,5 A	220-240 V, 50 HZ, 1800W, 8,7 A
Leerlaufdrehzahl	5000 min <sup>-1</sup>	4500 min <sup>-1</sup>
Sägeblatt- $\phi$ x Bohrungs- $\phi$	216 x 30 mm	254 x 30 mm
Stammblattdicke max.	1,6 mm	1,8 mm
Sägeblatt-Zahndicke min.	2,4 mm	2,6 mm
Schnittleistung max. Gehrung 0°/ Neigung 0° Gehrung 45°/ Neigung 0° Gehrung 0°/ Neigung 45° Gehrung 45°/ Neigung 45°	65 x 305 mm 65 x 215 mm 36 x 305 mm 36 x 215 mm	90 x 305 mm 90 x 215 mm 50 x 305 mm 50 x 215 mm
Gewicht nach EPTA-Prozedur 01/2014	16,7 kg	19,6 kg
<b>Geräuschinformation</b> Messwerte ermittelt entsprechend EN 62841. Der A-bewertete Geräuschpegel des Gerätes beträgt typischerweise: Schalldruckpegel (Unsicherheit K=3dB(A)) Schalleistungspegel (Unsicherheit K=3dB(A))	99,27 dB (A) 112,27 dB (A)	95,15 dB (A) 108,15 dB (A)
<b>Gehörschutz tragen!</b>		



\*PS  $\triangleq$  Kapp- und Gehrungssäge

### WARNUNG!

Die angegebenen Geräuschemissionswerte wurden nach einem Standardprüfverfahren der EN 62841-1 und EN 62841-3-9 gemessen und können zum Vergleich eines Werkzeugs mit einem anderen verwendet werden. Die angegebenen Geräuschemissionswerte können zu einer vorläufigen Einschätzung der Belastung verwendet werden.

Die Geräuschemissionen können während der tatsächlichen Benutzung des Elektrowerkzeugs von den Angabewerten abweichen. Dies ist abhängig von der Art und Weise, in der das Elektrowerkzeug verwendet wird, insbesondere, welche Art von Werkstück bearbeitet wird.

Legen Sie Sicherheitsmaßnahmen zum Schutz des Bedieners fest, die auf einer Abschätzung der Belastung während der tatsächlichen Benutzungsbedingungen beruhen (hierbei sind alle Anteile des Betriebszyklus zu berücksichtigen, beispielsweise Zeiten, in denen das Elektrowerkzeug abgeschaltet ist, und solche, in denen es zwar eingeschaltet ist, aber ohne Belastung läuft).

Tragen Sie Gehörschutz. Die Einwirkung von Lärm kann Gehörverlust bewirken.

**⚠️ WARNUNG** Lesen Sie alle Sicherheitshinweise, Anweisungen, Bilderungen und technischen Daten, mit denen dieses Elektrowerkzeug versehen ist. Versäumnisse bei der Einhaltung der nachfolgenden Anweisungen können elektrischen Schlag, Brand und/oder schwere Verletzungen verursachen.

**Bewahren Sie alle Sicherheitshinweise und Anweisungen für die Zukunft auf.**

### ⚠️ SICHERHEITSHINWEISE FÜR GEHRUNGSKAPPSÄGEN

**a) Gehrungskappsägen sind zum Schneiden von Holz oder holzartigen Produkten vorgesehen, sie können nicht zum Schneiden von Eisenwerkstoffen wie Stäben, Stangen, Schrauben usw. verwendet werden.** Abrasiver Staub führt zum Blockieren von beweglichen Teilen wie der unteren Schutzhaube. Schneidfunken verbrennen die untere Schutzhaube, die Einlegeplatte und andere Kunststoffteile.

**b) Fixieren Sie das Werkstück nach Möglichkeit mit Zwingen. Wenn Sie das Werkstück mit der Hand festhalten, müssen Sie Ihre Hand immer mindestens 100 mm von jeder Seite des Sägeblatts entfernt halten. Verwenden Sie diese Säge nicht zum Schneiden von Stücken, die zu klein sind, um sie einzuspannen oder mit der Hand zu halten.** Wenn Ihre Hand zu nahe am Sägeblatt ist, besteht ein erhöhtes Verletzungsrisiko durch Kontakt mit dem Sägeblatt.

**c) Das Werkstück muss unbeweglich sein und entweder festgespannt oder gegen den Anschlag und den Tisch gedrückt werden. Schieben Sie das Werkstück nicht in das Sägeblatt und schneiden Sie nie „freihändig“.** Lose oder sich bewegende Werkstücke könnten mit hoher Geschwindigkeit herausgeschleudert werden und zu Verletzungen führen.

**d) Schieben Sie die Säge durch das Werkstück. Vermeiden Sie es, die Säge durch das Werkstück zu ziehen. Für einen Schnitt heben Sie den Sägekopf und ziehen ihn über das Werkstück, ohne zu schneiden. Dann schalten Sie den Motor ein, schwenken den Sägekopf nach unten und drücken die Säge durch das Werkstück.** Bei ziehendem Schnitt besteht die Gefahr, dass das Sägeblatt am Werkstück aufsteigt und die Sägeblatteinheit dem Bediener gewaltsam entgegengeschleudert wird.

**e) Kreuzen Sie nie die Hand über die vorgesehene Schnittlinie, weder vor noch hinter dem Sägeblatt.** Abstützen des Werkstücks „mit gekreuzten Händen“, d. h. Halten des Werkstücks rechts neben dem Sägeblatt mit der linken Hand oder umgekehrt, ist sehr gefährlich.

**f) Greifen Sie bei rotierendem Sägeblatt nicht hinter den Anschlag. Unterschreiten Sie nie einen Sicherheitsabstand von 100 mm zwischen Hand und rotierendem Sägeblatt (gilt auf beiden Seiten des Sägeblatts, z. B. beim Entfernen von Holzabfällen).** Die Nähe des rotierenden Sägeblatts zu Ihrer Hand ist möglicherweise nicht erkennbar, und Sie können schwer verletzt werden.

**g) Prüfen Sie das Werkstück vor dem Schneiden. Wenn das Werkstück gebogen oder verzogen ist, spannen Sie es mit der nach außen gekrümmten Seite zum Anschlag. Stellen Sie immer sicher, dass entlang der Schnittlinie kein Spalt zwischen Werkstück, Anschlag und Tisch ist.** Gebogene oder verzogene Werkstücke können sich verdrehen oder verlagern und ein Klemmen des rotierenden Sägeblatts beim Schneiden verursachen. Es dürfen keine Nägel oder Fremdkörper im Werkstück sein.

**h) Verwenden Sie die Säge erst, wenn der Tisch frei von Werkzeugen, Holzabfällen usw. ist; nur das Werkstück darf sich auf dem Tisch befinden.** Kleine Abfälle, lose Holzstücke oder andere Gegenstände, die mit dem rotierenden Blatt in Berührung kommen, können mit hoher Geschwindigkeit weggeschleudert werden.

**i) Schneiden Sie jeweils nur ein Werkstück.** Mehrfach gestapelte Werkstücke lassen sich nicht angemessen spannen oder festhalten und können beim Sägen ein Klemmen des Blatts verursachen oder verrutschen.

**j) Sorgen Sie dafür, dass die Gehrungskappsäge vor Gebrauch auf einer ebenen, festen Arbeitsfläche steht.** Eine ebene und feste Arbeitsfläche verringert die Gefahr, dass die Gehrungskappsäge instabil wird.

**k) Planen Sie Ihre Arbeit. Achten Sie bei jedem Verstellen der Sägeblattneigung oder des Gehrungswinkels darauf, dass der verstellbare Anschlag richtig justiert ist und das Werkstück abstützt, ohne mit dem Blatt oder der Schutzhaube in Berührung zu kommen.** Ohne die Maschine einzuschalten und ohne Werkstück auf dem Tisch ist eine vollständige Schnittbewegung des Sägeblatts zu simulieren, um sicherzustellen, dass es nicht zu Behinderungen oder der Gefahr des Schneidens in den Anschlag kommt.

**l) Sorgen Sie bei Werkstücken, die breiter oder länger als die Tischoberseite sind, für eine angemessene Abstützung, z. B. durch Tischverlängerungen oder Sägeböcke.** Werkstücke, die länger oder breiter als der Tisch der Gehrungskappsäge sind, können kippen, wenn sie nicht fest abgestützt sind. Wenn ein abgeschnittenes Stück Holz oder das Werkstück kippt, kann es die untere Schutzhaube anheben oder unkontrolliert vom rotierenden Blatt weggeschleudert werden.

**m) Ziehen Sie keine anderen Personen als Ersatz für eine Tischverlängerung oder zur zusätzlichen Abstützung heran.** Eine instabile Abstützung des Werkstücks kann zum Klemmen des Blatts führen. Auch kann sich das Werkstück während des Schnitts verschieben und Sie und den Helfer in das rotierende Blatt ziehen.

**n) Das abgeschnittene Stück darf nicht gegen das rotierende Sägeblatt gedrückt werden.** Wenn wenig Platz ist, z. B. bei Verwendung von Längsanschlägen, kann sich das abgeschnittene Stück mit dem Blatt verkeilen und gewaltsam weggeschleudert werden.

**o) Verwenden Sie immer eine Zwinde oder eine geeignete Vorrichtung, um Rundmaterial wie Stangen oder Rohre ordnungsgemäß abzustützen.** Stangen neigen beim Schneiden zum Wegrollen, wodurch sich das Blatt „festbeißen“ und das Werkstück mit Ihrer Hand in das Blatt gezogen werden kann.

**p) Lassen Sie das Blatt die volle Drehzahl erreichen, bevor Sie in das Werkstück schneiden.** Dies verringert das Risiko, dass das Werkstück fortgeschleudert wird.

**q) Wenn das Werkstück eingeklemmt wird oder das Blatt blockiert, schalten Sie die Gehrungskappsäge aus. Warten Sie, bis alle beweglichen Teile zum Stillstand gekommen sind, ziehen Sie den Netzstecker und/oder nehmen Sie den Akku heraus. Entfernen Sie anschließend das eingeklemmte Material.** Wenn Sie bei einer solchen Blockierung weitersägen, kann es zum Verlust der Kontrolle oder zu Beschädigungen der Gehrungskappsäge kommen.

**r) Lassen Sie nach beendetem Schnitt den Schalter los, halten Sie den Sägekopf unten und warten Sie den Stillstand des Blatts ab, bevor Sie das abgeschnittene Stück entfernen.** Es ist sehr gefährlich, mit der Hand in die Nähe des auslaufenden Blatts zu reichen.

**s) Halten Sie den Handgriff gut fest, wenn Sie einen unvollständigen Sägeschnitt ausführen oder wenn Sie den Schalter loslassen, bevor der Sägekopf seine untere Lage erreicht hat.** Durch die Bremswirkung der Säge kann der Sägekopf ruckartig nach unten gezogen werden, was zu einem Verletzungsrisiko führt.

#### HOLZSÄGEBLATT SICHERHEITSHINWEISE

Bitte lesen Sie die Gebrauchsanleitung sorgfältig durch, bevor Sie das Sägeblatt und das Gerät benutzen.

Das Gerät muss in einem guten Zustand sein, und die Spindel darf keine Verformungen und Schwingungen aufweisen.

Benutzen Sie die Säge nicht ohne angebrachte Schutzvorrichtungen, halten Sie die Schutzvorrichtungen in einem funktionsfähigen Zustand und sorgen Sie dafür, dass sie ordnungsgemäß gewartet sind.

Vergewissern Sie sich, dass der Bediener hinreichend mit den Sicherheitsvorkehrungen, den Einstellungen und dem Betrieb des Gerätes vertraut ist.

Tragen Sie immer Ihre Schutzbrille und Ihren Gehörschutz, wenn Sie das Gerät benutzen. Es wird empfohlen, Schutzhandschuhe, festes und rutschfestes Schuhwerk und Schürze zu tragen.

Bevor Sie irgendwelche Zubehörteile verwenden, lesen Sie bitte erst die Gebrauchsanleitung durch. Die unsachgemäße Verwendung eines Zubehörs kann Schäden verursachen und die Verletzungsgefahr erhöhen.

Verwenden Sie nur Sägeblätter, die den Kenndaten in dieser Gebrauchsanleitung und der Norm EN 847-1 entsprechen.

Beachten Sie die auf dem Sägeblatt angegebene maximal zulässige Drehzahl. Stellen Sie sicher, dass die auf dem Sägeblatt angegebene Drehzahl mindestens gleich der Drehzahl der Säge ist.



Verwenden Sie immer Sägeblätter in der richtigen Größe und mit passender Aufnahmebohrung. Sägeblätter, die nicht zu den Montageteilen der Säge passen, laufen unrund und führen zum Verlust der Kontrolle.

Verwenden Sie keine Sägeblätter mit einem größeren oder kleineren Durchmesser als den empfohlenen. Verwenden Sie keine Distanzstücke, um das Sägeblatt auf der Spindel zu befestigen.

Prüfen Sie die Spitzen des Sägeblattes vor jedem Gebrauch auf Beschädigungen oder anomales Aussehen. Spitzen, die beschädigt oder lose sind, können während des Gebrauchs zu fliegenden Objekten werden und somit die Wahrscheinlichkeit von Verletzungen erhöhen.

Rissige Sägeblätter oder solche, die ihre Form verändert haben, dürfen nicht verwendet werden! Keine Sägeblätter benutzen die beschädigt oder verformt sind.

Verschrotten Sie das Sägeblatt, wenn es beschädigt, verformt, verzogen oder rissig ist; es darf auf keinen Fall repariert werden.

Keine aus Schnellarbeitsstahl gefertigten Sägeblätter verwenden.

Vergewissern Sie sich, dass das Sägeblatt richtig montiert ist, und ziehen Sie die Mutter vor dem Gebrauch fest (Zugmoment etwa 12 Nm).

Ziehen Sie die Befestigungsschraube und die Muttern mit dem passenden Schraubenschlüssel fest usw.

Sie dürfen auf keinen Fall mit einem Schraubenschlüssel mit Verlängerung oder mit Hammerschlägen festgezogen werden.

Vergewissern Sie sich, dass das Sägeblatt und die Flansche sauber sind und die ausgesparten Seiten des Sägebundes gegen das Sägeblatt drücken.

Vergewissern Sie sich, dass sich das Sägeblatt in die richtige Richtung dreht.

Bevor Sie mit dem Arbeiten beginnen, führen Sie einen Probenschnitt ohne eingeschalteten Motor durch, sodass die Position des Sägeblattes, die Funktion der Schutzvorrichtungen in Bezug auf andere Geräteteile und das Werkstück überprüft werden können.

Lassen Sie das Gerät nie unbeaufsichtigt.

Tragen Sie keine Schmiermittel auf das Sägeblatt auf, wenn es in Betrieb ist.

Führen Sie niemals Reinigungs- oder Wartungsarbeiten durch, wenn das Gerät noch in Betrieb ist und sich der Sägekopf noch nicht in der Ruhestellung befindet.

Versuchen Sie niemals, ein sich schnell bewegendes Gerät anzuhalten, indem Sie das Sägeblatt mit einem Werkzeug oder anderen Hilfsmitteln blockieren; dadurch können unbeabsichtigt schwere Unfälle verursacht werden.

Trennen Sie die Säge von der Stromversorgung oder nehmen Sie das Akkupaket heraus, bevor Sie das Sägeblatt wechseln oder Wartungsarbeiten durchführen.

Seien Sie beim Aus- oder Verpacken des Sägeblattes sehr vorsichtig, da man sich sehr leicht an den scharfen Spitzen des Sägeblattes verletzen kann.

Verwenden Sie beim Hantieren mit Sägeblättern immer einen Sägeblatthalter oder tragen Sie Schutzhandschuhe.

Bewahren Sie das Sägeblatt in der Originalverpackung oder in einer anderen geeigneten Verpackung auf, lagern Sie es an einem trockenen Ort und halten Sie es von Chemikalien fern, die das Sägeblatt beschädigen könnten.

Sichern Sie das Werkstück und klemmen Sie es immer mit der Werkstückspannvorrichtung fest.

Sicherstellen, dass die Maschine stets einen sicheren Stand hat (z.B. befestigen an der Werkbank)..

Tragen Sie Gehörschutz. Die Einwirkung von Lärm kann Gehörverlust bewirken.

Beim Arbeiten mit der Maschine stets Schutzbrille tragen. Es wird empfohlen, Schutzhandschuhe zu tragen, sowie auch festes und rutschfestes Schuhwerk, damit Ihre Füße vor Werkstücken geschützt sind, die möglicherweise aus dem Schneidbereich herausgeschleudert werden, wenn Sie das Sägeblatt wechseln oder raue Werkstoffe handhaben.

Vergewissern Sie sich immer, dass der Netzstecker aus der Steckdose gezogen wurde, bevor Sie Einstellungen vornehmen, schmieren oder Wartungsarbeiten am Gerät durchführen.

Maschine nur ausgeschaltet an die Steckdose anschließen.

Greifen Sie niemals in den Gefahrenbereich des Sägeblattes, es sei denn, das Sägeblatt ist vollständig zum Stillstand gekommen.

Prüfen Sie das Werkzeug vor dem Gebrauch sorgfältig auf Beschädigungen und Materialermüdung. Beschädigte Teile nur von einem Fachmann reparieren lassen.

Schutzeinrichtung der Maschine unbedingt verwenden. Benutzen Sie das Gerät nicht, wenn die Schutzvorrichtungen nicht angebracht sind oder nicht einwandfrei funktionieren.

Der untere Blattschutz darf sich nur öffnen, wenn das Sägeblatt auf das Werkstück abgesenkt wird und muss sich immer frei bewegen und automatisch schließen können..

Das Werkstück muss während der Arbeit immer befestigt und ggf. durch Verlängerungshalter abgestützt sein.

Verändern oder modifizieren Sie niemals die Säge oder ihre Funktion. Ihre Sicherheit kann dadurch beeinträchtigt werden.

Verwenden Sie keine rissigen, beschädigten oder verformten Sägeblätter.

Keine aus Schnellarbeitsstahl gefertigten Sägeblätter verwenden.

Verwenden Sie nur geschärfte Sägeblätter. Tauschen Sie stumpfe Sägeblätter sofort aus.

Verwenden Sie immer Sägeblätter in der richtigen Größe und mit passender Aufnahmebohrung.

Sägeblätter, die nicht zu den Montageteilen der Säge passen, laufen unrund und führen zum Verlust der Kontrolle.

Verwenden Sie nur für die Holzbearbeitung vorgesehene Sägeblätter, die den Kenndaten in dieser Gebrauchsanleitung und der Norm EN 847-1 entsprechen.

Verwenden Sie zum Sichern des Sägeblattes nur die mitgelieferten oder die in dieser Gebrauchsanleitung angegebenen Flansche, Unterlegscheiben und Muttern.

Ein für den zu schneidenden Werkstoff geeignetes Sägeblatt auswählen. Verwenden Sie das Gerät niemals zum Schneiden von Materialien, die nicht im Abschnitt über die bestimmungsgemäße Verwendung in diesem Handbuch beschrieben sind.

Beim Sägen ist es wichtig, eine Überhitzung des Sägeblattes und Schmelzen des Kunststoffwerkstücks zu vermeiden.

Die auf dem Sägeblatt angegebene Höchstdrehzahl ist einzuhalten. Verwenden Sie nur Sägeblätter, die mit einer Drehzahl gekennzeichnet sind, die gleich oder höher als die auf dem Werkzeug angegebene Drehzahl ist.

Tauschen Sie die Tischeinlage aus, wenn sie abgenutzt oder beschädigt ist.



Bevor Sie mit dem Arbeiten beginnen, führen Sie einen Probearbeit ohne eingeschalteten Motor durch, sodass die Position des Sägeblattes, die Funktion der Schutzvorrichtungen in Bezug auf andere Geräteteile und das Werkstück überprüft werden können.

Stellen Sie bei der Ausführung von Gehrungs-, Neigungs- oder Doppelgehrungschnitten den Gleitanschlag so ein, daß das richtige Spiel für die Aufgabe sichergestellt wird.

Der Halterungsanschlag muss beim Transport des Geräts immer eingearbeitet sein.

Den Boden von Materialresten z.B. Späne und Sägereste freihalten.

Keine Sägereste oder andere Teile von Werkstücken aus dem Sägebereich entfernen wenn die Maschine läuft und der Sägekopf nicht in der Ruhestellung ist.

Lange Werkstücke sind geeignet abzustützen. Der Arbeitsbereich der Säge umfasst das gesamte Werkstück. Der Bediener sollte diesen Bereich vor unbeabsichtigtem Kontakt mit anderen Personen oder Gegenständen schützen, die das Werkstück während des Betriebs bewegen könnten.

Beim Arbeiten entstehender Staub ist oft gesundheitsschädlich und sollte nicht in den Körper gelangen. Staubabsaugung verwenden und zusätzlich geeignete Staubschutzmaske tragen. Abgelagerten Staub gründlich entfernen, z.B. Aufsaugen.

Ersetzen Sie nicht die LED oder den Laser durch einen anderen Typ. Alle Reparaturen dürfen nur vom Hersteller oder einer autorisierten Fachwerkstatt durchgeführt werden.

Kurzzeitige Spannungsspitzen verursachen Spannungsschwankungen und können andere elektrische Produkte in der gleichen Stromleitung beeinflussen. Schließen Sie das Gerät an eine Stromversorgung mit einer Impedanz von 0,3  $\Omega$  um Spannungsschwankungen zu minimieren. Kontaktieren Sie Ihren Energieversorger für weitere Informationen.

#### SICHERHEITSHINWEISE LASER

Die in dieser Säge durch einen Laser erzeugte Laserstrahlung ist Klasse II mit maximal  $P \leq 1 \text{ mW}$  und  $\lambda: 650 \text{ nm}$  Wellenlängen. Richten Sie Ihren Blick nie direkt oder indirekt mithilfe von optischen Instrumenten in den Laserstrahl. Die Nichtbefolgung dieser Regeln kann zu schweren Verletzungen führen.

Starren Sie bei der Benutzung des Lasers nicht in den Strahl.

Richten Sie den Laserstrahl nie direkt auf die Augen anderer Personen. Dies könnte zu schweren Augenverletzungen führen.

Richten Sie den Laser und seinen Strahlverlauf so aus, dass es zu keiner Gefährdung anderer Personen durch eine zufällige Exposition gegenüber Laserstrahlung kommen kann; so vermeiden Sie, dass andere Personen entweder absichtlich oder unabsichtlich in den Laserstrahl starren.

Verwenden Sie keine optischen Instrumente, um in den Laserstrahl zu blicken.

Betreiben Sie den Laser nicht in Gegenwart von Kindern und erlauben Sie ihnen auf keinen Fall, den Laser zu benutzen.

Versuchen Sie nicht, das Lasergerät selbst zu reparieren.

Versuchen Sie nicht, Teile des Lasergeräts selbst zu wechseln.

Alle Reparaturen dürfen nur vom Hersteller oder einer autorisierten Fachwerkstatt durchgeführt werden.

Tauschen Sie den eingebauten Laser nicht gegen einen anderen aus.

#### BESTIMMUNGSGEMÄSSE VERWENDUNG

Die Kapp- und Gehrungsäge mit Zugfunktion ist zum Sägen von Massivhölzern und Verbundhölzern mit oder ohne verleimte Furniere, Kunststoffen und holzähnlichen Werkstoffen bestimmt.

Die Kapp- und Gehrungsäge mit Zugfunktion darf nur von Erwachsenen benutzt werden, die die Gebrauchsanleitung gelesen und verstanden haben und sich der Risiken und Gefahren bewusst sind.

Die Kapp- und Gehrungsäge mit Zugfunktion ist so konstruiert, dass sie mit ihrem Unterteil auf einer stabilen Werkbank befestigt werden kann. Wenn das Unterteil nicht sicher befestigt ist, könnte sich das Gerät während des Schneidvorgangs bewegen, wodurch die Gefahr von schweren Verletzungen erhöht wird.

Die Kapp- und Gehrungsäge mit Zugfunktion ist zum Ausführen von Schräg- und Gehrungschnitten vorgesehen. Die Schnittkapazitäten für die verschiedenen Schnitte sind im Abschnitt „Produktspezifikationen“ angegeben.

Die Kapp- und Gehrungsäge mit Zugfunktion ist in trockener Umgebung mit sehr guter Beleuchtung und ausreichender Belüftung zu benutzen.

Die Kapp- und Gehrungsäge mit Zugfunktion ist für die Verwendung durch private Verbraucher bestimmt und sollte nur wie oben beschrieben verwendet werden; sie ist nicht für andere Zwecke bestimmt.

#### RESTGEFAHREN

Selbst wenn die Kapp- und Gehrungsäge mit Zugfunktion wie vorgeschrieben verwendet wird, können nicht alle Risiken vollständig ausgeschaltet werden und gewisse Restrisiken bleiben bestehen. Es können die nachfolgend beschriebenen Gefahren auftreten und der Bediener sollte sich dieser Gefahren bewusst sein, um sie vermeiden zu können:

- Es besteht die Gefahr, mit nicht abgedeckten Teilen des rotierenden Sägeblattes in Berührung zu kommen.
- Es besteht die Gefahr eines Rückschlages von Werkstücken oder Teilen der Werkstücke aufgrund unsachgemäßer Einstellung oder Handhabung.
- Es können fehlerhafte Hartmetallspitzen aus dem Sägeblatt herausgeschleudert werden.
- Es besteht die Gefahr der Schädigung der Atmungsorgane.

**HINWEIS:** Tragen Sie eine Atemschutzmaske mit einem für die zu bearbeitenden Werkstoffe entsprechenden Filter.

Sorgen Sie für eine ausreichende Belüftung des Arbeitsplatzes. Essen, trinken oder rauchen Sie nicht im gesamten Arbeitsbereich. Es besteht die Gefahr von Gehörschäden, wenn kein entsprechender Gehörschutz getragen wird.

#### WARNUNG

Staub von bestimmten Lackbeschichtungen und -materialien kann zu Reizungen oder allergischen Reaktionen der Atemwege führen. Der von Hölzern wie Eiche, Buche, MDF und anderen Holzarten freigesetzte Staub ist krebserregend. Asbesthaltiges Material sollte immer nur von qualifizierten Fachleuten bearbeitet oder verarbeitet werden.

#### WARNUNG

Verletzungen können durch lange Benutzung eines Werkzeugs entstehen oder verschlimmert werden. Machen Sie regelmäßig Pause, wenn Sie ein Werkzeug für lange Zeit benutzen.

## MACHEN SIE SICH MIT IHREM PRODUKT VERTRAUT.

Siehe Seite A.

1. Handgriff, isolierte Grifffläche
2. Auslöseschalter
3. Sicherheitssperrgriff
4. Flansch
5. Sägeblatt
6. Unterer Sägeblattschutz
7. Hauptanschlag
8. Schlitzplatte
9. Verriegelungsklappe für Drehteller
10. Oberer Griff
11. Oberer Sägeblattschutz
12. Staubtrichter
13. Feststellschraube Schiebefunktion
14. Klemme
15. Neigungswinkel-Klemmung
16. Verschiebbarer Anschlag
17. Werkstückunterstützung
18. Verlängerungsschiene
19. Befestigungslöcher
20. Drehtisch
21. Gehrungswinkelskala
22. Einstellschraube für 45° Neigungswinkelanschlag
23. Einstellschraube für 90° Neigungswinkelanschlag
24. LED Einschalter
25. Laser Einschalter
26. Spindel-Arretierung
27. Einstellplatte für Schnitttiefe
28. Einstellknopf für Schnitttiefe

## ERSATZTEILLISTE

- PS 216 L: Kapp- und Gehrungssäge EN 847-1/  $\varnothing 216 \times \varnothing 30 \times 2,4 / 48T / HW / n \text{ max. } 7000 \text{ min}^{-1}$  (Seite A: No. 5)
- PS 254 L: Kapp- und Gehrungssäge EN 847-1/  $\varnothing 254 \times \varnothing 30 \times 2,6 / 48T / HW / n \text{ max. } 7400 \text{ min}^{-1}$  (Seite A: No. 5)
- KSchlitzplatte (Seite A: No. 8)

## NETZANSCHLUSS

Nur an Einphasen-Wechselstrom und nur an die auf dem Leistungsschild angegebene Netzspannung anschließen. Anschluss ist auch an Steckdosen ohne Schutzkontakt möglich, da ein Aufbau der Schutzklasse II vorliegt.

Steckdosen in Feuchträumen und Außenbereichen müssen mit Fehlerstrom-Schutzschaltern (FI, RCD, PRCD) ausgerüstet sein. Das verlangt die Installationsvorschrift für Ihre Elektroanlage. Bitte beachten Sie das bei der Verwendung unseres Gerätes.

Maschine nur ausgeschaltet an die Steckdose anschließen.

Anschlusskabel stets vom Wirkungsbereich der Maschine fernhalten. Kabel immer nach hinten von der Maschine wegführen.

Vor jedem Gebrauch Gerät, Anschlusskabel, Akkupack Verlängerungskabel und Stecker auf Beschädigung und Alterung kontrollieren. Beschädigte Teile nur von einem Fachmann reparieren lassen.

Kurzzeitige Spannungsspitzen verursachen Spannungsschwankungen und können andere elektrische Produkte in der gleichen Stromleitung beeinflussen. Schließen Sie das Gerät an eine Stromversorgung mit einer Impedanz von  $0,3 \Omega$  um Spannungsschwankungen zu minimieren.

Kontaktieren Sie Ihren Energieversorger für weitere Informationen.

## WARTUNG

Verändern oder modifizieren Sie die Säge nicht und verwenden Sie kein Zubehör, das nicht vom Hersteller zugelassen ist. Ihre Sicherheit und die von Dritten kann gefährdet sein.

Benutzen Sie die Säge nicht, wenn die Schalter, die Schutzvorrichtungen oder andere Funktionen der Säge nicht wie vorgesehen funktionieren. Lassen Sie die Säge in einer autorisierten Fachwerkstatt überprüfen, notfalls auch reparieren oder einstellen.

Nehmen Sie keine Einstellungen vor, während sich das Sägeblatt bewegt.

Vergewissern Sie sich immer, dass der Netzstecker aus der Steckdose gezogen wurde, bevor Sie Einstellungen vornehmen, schmieren oder Wartungsarbeiten am Gerät durchführen.

Überprüfen Sie die Säge vor und nach jedem Gebrauch auf Beschädigungen und gebrochene Teile und halten Sie sie immer in einem optimalen Betriebszustand, indem Sie die Teile unverzüglich durch vom Hersteller zugelassene Ersatzteile ersetzen.

Das Sägeblatt ist nach Gebrauch sehr heiß, tragen Sie daher entweder Schutzhandschuhe oder lassen Sie es vor Wartungs- und Reinigungsarbeiten abkühlen.

Säubern Sie den angesammelten Staub mit einer Bürste oder einem Staubsauger. Verwenden Sie keine Druckluft.

Um die Sicherheit und Zuverlässigkeit zu gewährleisten, sollten alle Reparaturen, einschließlich des Austauschs der Bürsten, von einer autorisierten Fachwerkstatt durchgeführt werden.

Reinigen Sie Gerät und Schutzeinrichtung mit einem trockenen Tuch.

Stets die Lüftungsschlitze der Maschine sauber halten.

Wenn ein Ersatz der Netzanschlussleitung erforderlich ist, ist dies vom Hersteller oder seinem Vertreter auszuführen, um Sicherheitsgefährdungen zu vermeiden.

Nur AEG Zubehör und Ersatzteile verwenden. Bauteile, deren Austausch nicht beschrieben wurde, bei einer AEG Kundendienststelle auswechseln lassen (Broschüre Garantie/Kundendienstadressen beachten).

Bei Bedarf kann eine Explosionszeichnung des Gerätes unter Angabe der Maschinen Type und der sechsstelligen Nummer auf dem Leistungsschild bei Ihrer Kundendienststelle oder direkt bei Techtronic Industries GmbH, Max-Eyth-Straße 10, 71364 Winnenden, Germany angefordert werden.

## CE-KONFORMITÄTSERKLÄRUNG

Wir erklären in alleiniger Verantwortung, dass das unter „Technische Daten“ beschriebene Produkt mit allen relevanten Vorschriften der Richtlinien

2011/65/EU (RoHS)  
2006/42/EG  
2014/30/EU

und den folgenden harmonisierten normativen Dokumenten übereinstimmt

EN 62841-1:2015  
EN 62841-3-9:2015+A11:2017  
EN 55014-1:2017  
EN 55014-2:2015  
EN 61000-3-2:2014  
EN 61000-3-11:2000  
EN IEC 63000:2018



Winnenden, 2019-03-08

Alexander Krug / Managing Director  
Bevollmächtigt die technischen Unterlagen zusammenzustellen.

Techtronic Industries GmbH  
Max-Eyth-Straße 10, 71364 Winnenden, Germany



Deutsch

## SYMBOLS



ACHTUNG! WARNUNG! GEFAHR!



Vor allen Arbeiten an der Maschine den Stecker aus der Steckdose ziehen.



WARNUNG-Zur Verringerung eines Verletzungsrisikos Betriebsanleitung lesen!



Beim Arbeiten mit der Maschine stets Schutzbrille tragen.



Gehörschutz tragen!



Schutzhandschuhe tragen!



Niemals die Hände in den Bereich des Sägeblattes bringen.



Gerät ist nur zur Verwendung in Räumen geeignet, Gerät nicht dem Regen aussetzen.



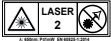
Staubschacht-Anschluss



Nur Holz sägen.



Nicht in den Laserstrahl sehen



Das Produkt entspricht der Laserklasse 2 gemäß EN 60825-1:2014.



Sägeblatt- $\varnothing$  x Bohrungs- $\varnothing$



Drehrichtung



Sägeblattzähne



Schnittbreite

**n<sub>0</sub>** Leerlaufdrehzahl

**V** Spannung



Wechselstrom



Elektrowerkzeug der Schutzklasse II. Elektrowerkzeug, bei dem der Schutz vor einem elektrischen Schlag nicht nur von der Basisisolierung abhängt, sondern auch davon, dass zusätzliche Schutzmaßnahmen, wie doppelte Isolierung oder verstärkte Isolierung, angewendet werden.

Es gibt keine Vorrichtung zum Anschluss eines Schutzleiters.



Elektrogeräte dürfen nicht zusammen mit dem Hausmüll entsorgt werden. Elektrische und elektronische Geräte sind getrennt zu sammeln und zur umweltgerechten Entsorgung bei einem Verwertungsbetrieb abzugeben. Erkundigen Sie sich bei den örtlichen Behörden oder bei Ihrem Fachhändler nach Recyclinghöfen und Sammelstellen.



Europäisches Konformitätszeichen



Ukrainisches Konformitätszeichen



Euroasiatisches Konformitätszeichen



D

CARACTÉRISTIQUES TECHNIQUES	PS 216 L	PS 254 L
Scie Radiale *		
Numéro de série	4699 98 01 ... ... 000001-999999	4699 99 01 ... 4740 22 01 ... ... 000001-999999
Puissance nominale de réception	220-240 V, 50 HZ, 1400W, 6,5 A	220-240 V, 50 HZ, 1800W, 8,7 A
Vitesse de rotation à vide	5000 min <sup>-1</sup>	4500 min <sup>-1</sup>
∅ de la lame de scie et de son alésage	216 x 30 mm	254 x 30 mm
Épaisseur de corps de la lame de scie max.	1,6 mm	1,8 mm
Épaisseur de dent de la lame de scie min.	2,4 mm	2,6 mm
Capacité de coupe max. Onglet 0°/ Inclinasion 0° Onglet 45°/ Inclinasion 0° Onglet 0°/ Inclinasion 45° Onglet 45°/ Inclinasion 45°	65 x 305 mm 65 x 215 mm 36 x 305 mm 36 x 215 mm	90 x 305 mm 90 x 215 mm 50 x 305 mm 50x 215 mm
Poids suivant EPTA-Procédure 01/2014	16,7 kg	19,6 kg
<b>Informations sur le bruit</b> Valeurs de mesure obtenues conformément à la EN 62841. Les mesures réelles (des niveaux acoustiques de l'appareil sont :		
Niveau de pression acoustique (Incertitude K=3dB(A))	99,27 dB (A)	95,15 dB (A)
Niveau d'intensité acoustique (Incertitude K=3dB(A))	112,27 dB (A)	108,15 dB (A)
<b>Toujours porter une protection acoustique!</b>		

\*PS ∆ Scie Radiale

#### AVERTISSEMENT!

La valeur déclarée pour les émissions sonores a été mesurée en respect d'une méthode standard de test selon les normes EN 62841-1 et EN 62841-3-9 et peut être utilisée pour comparer les outils entre eux. La valeur déclarée pour les émissions sonores peuvent être également utilisées dans une évaluation préliminaire de l'exposition.

Les émissions de bruits pendant l'utilisation réelle de l'outil électrique peuvent diverger des valeurs déclarées en fonction de la manière dont l'outil est utilisé et notamment du type de pièce traité.

Déterminez les conditions de sécurité relatives à la protection de l'utilisateur en vous basant sur une évaluation de l'utilisation de la bande en conditions d'utilisation réelles (toutes les composantes du cycle de fonctionnement doivent, à cet effet, être prises en compte, comme les durées pendant lesquelles l'outil électrique est éteint et les durées pendant lesquelles il est allumé mais où la bande n'est pas mise en tension).

Portez une protection acoustique. L'exposition au bruit pourrait provoquer une diminution de l'ouïe.

**⚠ AVERTISSEMENT** Lisez toutes les consignes de sécurité, instructions, présentations et données que vous recevez avec l'appareil. Le fait de ne pas suivre toutes les instructions données cidessous peut provoquer un choc électrique, un incendie et/ou une blessure grave.

**Bien garder tous les avertissements et instructions.**

#### ⚠ CONSIGNES DE SÉCURITÉ POUR LES SCIES À ONGLET

**a) Les scies à onglet sont destinées à couper du bois ou des produits analogues au bois. Elles ne peuvent être utilisées avec des disques à tronçonner abrasifs pour la découpe de matériaux ferreux tels que barres, tiges, goujons, etc. La poussière abrasive peut bloquer les pièces mobiles telles que la protection inférieure. Les étincelles de découpe abrasive peuvent brûler la protection inférieure, l'entaille d'insertion et d'autres pièces en plastique.**

**b) Utilisez des serre-joints pour maintenir la pièce à chaque fois que possible. Si vous maintenez la pièce à la main, vous devez toujours garder votre main à une distance d'au moins 100 mm de part et d'autre de la lame de la scie. N'utilisez pas cette scie pour couper des pièces trop petites pour être solidement serrées avec des serre-joints ou tenues à la main. Si votre main est placée trop près de la lame de la scie, vous encourez un risque accru de blessure par contact avec la lame.**

**c) La pièce à usiner doit être immobile et serrée avec des serre-joints ou maintenue à la fois contre le guide et la table. Ne poussez pas la pièce contre la lame et ne la coupez jamais à « main levée ». Les pièces à usiner non retenues ou mobiles risqueraient d'être projetées à grande vitesse, provoquant des blessures.**

**d) Poussez la scie à travers la pièce à usiner. Ne tirez pas la scie à travers la pièce. Pour couper, soulevez la tête de la scie et amenez-la au-dessus de la pièce sans couper, démarrez le moteur, appuyez vers le bas sur la tête de la scie et poussez la scie à travers la pièce. Couper en tirant risque de faire grimper la lame de la scie sur le dessus de la pièce et de projeter violemment l'unité porte-lame vers l'opérateur.**



e) **Ne traversez jamais avec votre main la ligne de coupe prévue, que ce soit à l'avant ou à l'arrière de la lame de scie.** Maintenir la pièce « avec une main en travers », c'est-à-dire maintenir la pièce à droite de la lame de scie avec votre main gauche ou vice versa est très dangereux.

f) **Ne mettez pas votre main derrière le guide à moins de 100 mm de part et d'autre de la lame de la scie, que ce soit pour retirer des copeaux de bois ou pour toute autre raison, pendant que la lame tourne.** Vous pouvez sous-estimer la proximité de la lame de scie en rotation par rapport à votre main et vous pouvez être gravement blessé.

g) **Inspectez votre pièce à usiner avant de la couper. Si la pièce est courbée ou déformée, maintenez-la avec des serre-joints, avec l'extérieur de la face courbée vers le guide. Assurez-vous toujours qu'il n'y a pas d'écart entre la pièce à usiner, le guide et la table le long de la ligne de coupe.** Les pièces à usiner incurvées ou déformées peuvent se tordre ou bouger et peuvent se bloquer sur la lame de scie en rotation pendant la coupe. La pièce à usiner ne doit pas présenter de clous ni d'objets étrangers.

h) **N'utilisez pas la scie tant que la table n'est pas débarrassée de tous les outils, morceaux de bois, etc., à l'exception de la pièce à usiner.** Les petits débris, morceaux de bois se détachant ou autres objets entrant en contact avec la lame en rotation peuvent être projetés à grande vitesse.

i) **Ne coupez qu'une seule pièce à la fois.** Les pièces empilées ne peuvent pas être correctement maintenues avec des serre-joints ni calées et peuvent bloquer la lame ou glisser pendant la coupe.

j) **Vérifiez que la scie à onglets est montée ou placée sur une surface de travail plane et ferme avant utilisation.** Une surface de travail plane et ferme réduit le risque de voir la scie à onglets devenir instable.

k) **Planifiez votre travail. Chaque fois que vous changez le réglage de l'inclinaison de la lame ou de l'angle de l'onglet, assurez-vous que le guide réglable est positionné correctement de façon à maintenir la pièce à usiner et à ne pas interférer avec la lame ou le système de protection.** Sans mettre l'outil sur « ON » et sans pièce à usiner sur la table, déplacez la lame de scie comme pour une coupe complète pour vous assurer que rien n'interfère et qu'il n'y a aucun danger de couper le guide.

l) **Prévoyez un support adéquat, comme des rallonges de table, des chevalets de sciage, etc., lorsque la pièce à usiner est plus large ou plus longue que le dessus de la table.** Les pièces à usiner plus longues ou plus larges que la table de la scie à onglets peuvent basculer si elles ne sont soutenues en toute sécurité. Si la pièce coupée de la pièce à usiner bascule, elle peut soulever la protection inférieure ou être projetée par la lame en rotation.

m) **N'utilisez pas une autre personne comme un substitut à une rallonge de table ou comme support supplémentaire.** Un support instable pour la pièce à usiner peut bloquer la lame. La pièce peut par ailleurs glisser pendant la coupe et vous entraîner vous et la personne qui vous aide contre la lame en rotation.

n) **La pièce découpée ne doit pas être bloquée ni pressée par quelque moyen que ce soit contre la lame de scie en rotation.** Si elle est confinée, c'est-à-dire si des butées de longueur sont utilisées, la pièce coupée risque de se coincer contre la lame et d'être violemment projetée.

o) **Utilisez toujours un serre-joint ou un dispositif de fixation conçu pour soutenir correctement les matériels ronds, comme les barres ou tubes.** Les barres ont tendance à rouler lorsqu'on les coupe, ce qui fait que la lame « mord » et entraîne la pièce et votre main contre la lame.

p) **Laissez la lame atteindre sa pleine vitesse avant d'entrer en contact avec la pièce à usiner.** Ceci réduira le risque de projection de la pièce à usiner.

q) **Si la pièce à usiner ou la lame se coincent, mettez la scie à onglets sur « OFF ». Attendez l'arrêt de toutes les pièces mobiles et débranchez la fiche de la source d'alimentation et/ou retirez la batterie. Retirez ensuite le matériel coincé.** Continuer à scier une pièce coincée peut entraîner une perte de contrôle ou causer des dommages à la scie à onglets.

r) **Une fois la coupe terminée, relâchez l'interrupteur, maintenez la tête de la scie vers le bas et attendez que la lame s'arrête avant de retirer la pièce coupée.** Tendre votre main à proximité de la lame encore en rotation est dangereux.

s) **Maintenez fermement la poignée lorsque vous exécutez une coupe partielle ou lorsque vous relâchez l'interrupteur avant que la tête de la scie soit complètement en position basse.** L'action de freinage de la scie peut faire que la tête de la scie se trouve soudainement entraînée vers le bas, ce qui constitue un risque de blessure.

#### LAME POUR LA DÉCOUPE DU BOIS INSTRUCTIONS DE SÉCURITÉ PARTICULIÈRES

Veillez lire attentivement le manuel et les instructions avant d'utiliser la lame de scie et la machine.

La machine doit être en bon état, la broche sans déformation et sans vibrations.

N'utilisez pas la scie sans que les protecteurs soient en place, et maintenez les protecteurs en bon état de fonctionnement et bien entretenus.

Assurez-vous que l'opérateur est bien formé aux mesures de sécurité, au réglage et au fonctionnement de la machine.

Portez toujours des lunettes et une protection auditive lors de l'utilisation de la machine. Il est recommandé de porter des gants, des chaussures antidérapantes robustes et un tablier.

Avant d'utiliser des accessoires, consultez le manuel d'instructions. L'utilisation inappropriée d'un accessoire peut causer des dommages et augmenter le risque de blessures.

N'utilisez exclusivement que les lames spécifiées dans ce manuel, conformes à la norme EN 847-1.

Respectez la vitesse maximale indiquée sur la lame de scie. Assurez-vous que la vitesse indiquée sur la lame de scie est au moins égale à la vitesse indiquée sur la scie.

Toujours utiliser des lames de scie de la bonne taille qui ont une forme appropriée à l'alésage de fixation. Les lames de scie qui ne conviennent pas aux parties montées de la scie sont comme voilées et entraînent une perte de contrôle.

N'utilisez pas de lames dont le diamètre est supérieur ou inférieur au diamètre recommandé. N'utilisez pas d'espateurs pour que la lame s'ajuste sur la broche.

Avant chaque utilisation, vérifiez que les pointes de la lame de scie ne sont pas endommagées et qu'elles ne présentent pas un aspect anormal. Les pointes endommagées ou lâches peuvent être projetées lors de l'utilisation et peuvent augmenter les risques de blessures.

Ne pas utiliser de lames de scie fissurées ou déformées. Ne pas utiliser de lames de scie qui sont endommagées ou déformées.

Retirez la lame de scie si elle est endommagée, déformée, faussée ou fissurée. Aucune réparation n'est autorisée.

Ne pas utiliser de lame de scie fabriquées en acier à coupe rapide.

Assurez-vous que la lame de scie est montée correctement, serrez fermement l'écrou de l'arbre avant de l'utiliser (couple de serrage d'environ 12 Nm).

Les vis et écrous de fixation doivent être serrés à l'aide de la clé appropriée, etc.

L'extension de la clé ou le serrage à l'aide de coups de marteau ne sont pas autorisés.

Assurez-vous que la lame et les brides sont propres et que les côtés en retrait du collier sont contre la lame.

Assurez-vous que la lame tourne dans le bon sens.

Avant le travail, faites une coupe factice sans que le moteur soit allumé afin de vérifier la position de la lame, le fonctionnement des protecteurs par rapport aux autres pièces de la machine et la pièce à usiner.

Ne laissez jamais la machine sans surveillance.

N'appliquez pas de lubrifiant sur la lame lorsqu'elle tourne.

N'effectuez jamais de nettoyage ou d'entretien lorsque la machine est encore en marche et que la tête n'est pas en position de repos.

Ne tentez jamais d'arrêter rapidement une machine en mouvement en bloquant la lame avec un outil ou un autre objet, car des accidents graves peuvent être provoqués involontairement de cette façon.

Débranchez la scie de la prise de courant ou retirez la batterie avant de changer les lames ou de procéder à l'entretien.

Soyez prudent(e) lorsque vous emballez ou déballez les lames, car il est facile de se blesser avec les pointes de lame tranchantes.

Utilisez un porte-lame ou portez des gants lorsque vous manipulez une lame de scie.

Conservez et entreposez la lame dans son emballage d'origine ou un autre emballage approprié. Conservez-la dans un endroit sec et à l'écart de tout produit chimique susceptible de l'endommager.

#### AVIS COMPLÉMENTAIRES DE SÉCURITÉ ET DE TRAVAIL

Maintenez toujours la pièce à usiner avec un serre-joint, solidement et en toute sécurité.

S'assurer que la machine présente toujours une bonne stabilité (par ex. par une fixation sur l'établi).

Portez une protection acoustique. L'exposition au bruit pourrait provoquer une diminution de l'ouïe.

Toujours porter des lunettes de protection pendant le travail avec la machine. Il est recommandé de porter des gants pour manipuler les lames et les matériaux rugueux, ainsi que des chaussures antidérapantes robustes qui protègent en outre les pieds des pièces à usiner pouvant tomber de la zone de coupe.

Toujours s'assurer que la fiche du cordon d'alimentation a été débranchée du secteur avant d'effectuer des réglages, de lubrifier ou d'effectuer tout entretien sur le produit.

Ne raccorder la machine au réseau que si l'interrupteur est en position arrêté.

Ne pénétrez jamais dans la zone près de la lame, à moins que la lame ne soit complètement arrêtée.

Avant l'utilisation, vérifiez soigneusement que l'outil ne présente aucun dommage ou signe d'usure du matériau. Les pièces

endommagées devront être réparées uniquement par un technicien spécialisé.

Il est absolument impératif d'utiliser le dispositif protecteur de la machine. N'utilisez pas la machine si les protecteurs ne sont pas en place ou ne fonctionnent correctement.

Le protège-lame inférieur ne doit s'ouvrir que lorsque la lame est abaissée sur la pièce et doit toujours pouvoir se déplacer librement et se fermer automatiquement.

Toujours fixer et utiliser des supports de rallonge pour le maintien de la pièce à usiner pendant le fonctionnement.

Ne modifiez jamais la scie ni son fonctionnement. Ceci pourrait compromettre votre sécurité.

N'utilisez pas de lames de scie fissurées, endommagées ou déformées.

Ne pas utiliser de lame de scie fabriquées en acier à coupe rapide.

N'utilisez que des lames de scie tranchantes. Remplacez les lames émoussées par des lames neuves.

Toujours utiliser des lames de scie de la bonne taille qui ont une forme appropriée à l'alésage de fixation.

Les lames de scie qui ne conviennent pas aux parties montées de la scie sont comme voilées et entraînent une perte de contrôle.

N'utilisez exclusivement que les lames pour le travail du bois spécifiées dans ce manuel, conformes à la norme EN 847-1.

N'utilisez pas de brides, rondelles et écrous pour fixer la lame de scie autres que ceux fournis ou indiqués dans le manuel d'instructions.

Choisir une lame de scie qui convient au matériau à couper. Ne jamais utiliser le produit pour couper des matériaux autres que ceux spécifiés dans la section « Utilisation prévue » du présent manuel.

Il est important d'éviter de surchauffer la lame et de faire fondre la pièce en plastique lors de la découpe.

La vitesse de rotation maximale indiquée sur la lame de scie doit être respectée. n'utiliser que des lames de scie marquées avec une vitesse égale ou supérieure à la vitesse indiquée sur l'outil.

Remplacez l'insert de table lorsqu'il est usé ou endommagé.

Avant le travail, faites une coupe factice sans que le moteur soit allumé afin de vérifier la position de la lame, le fonctionnement des protecteurs par rapport aux autres pièces de la machine et la pièce à usiner.

Lors de la réalisation des coupes d'onglet, des coupes en biais et des coupes d'onglet composé, réglez le guide coulissant pour assurer le jeu correct de la lame.

La butée de fixation doit toujours être enclenchée lors du transport du produit.

Veiller à ce que le fond reste exempt des restes de matériaux, par ex. des copeaux et des débris de sciage.

Ne pas enlever des restes de sciage ou d'autres parties de pièces à œuvrer de la zone de sciage lorsque la machine tourne et que la tête de sciage n'est pas dans la position de repos.

Les longues pièces à œuvrer doivent être soutenues de manière appropriée. La zone de travail de la scie comprend toute la surface de la pièce. L'opérateur doit protéger cette zone contre tout contact accidentel avec d'autres personnes ou objets susceptibles de déplacer la pièce pendant le fonctionnement.

Les poussières dégagées lors du travail sont souvent nocives et ne devraient pas pénétrer dans le corps. Utiliser un dispositif d'aspiration de poussières et porter en plus un masque de protection approprié. Éliminer soigneusement les dépôts de poussières, p. ex. en les aspirant au moyen d'un système d'aspiration de copeaux.



Ne remplacez pas la LED ou le laser par un autre type. Toute réparation doit être effectuée par le fabricant ou un agent de service agréé.

Une surconsommation temporaire provoque des variations de tension susceptibles d'affecter les autres appareils électriques branchés sur la même ligne d'alimentation. Branchez le produit sur une source d'alimentation électrique dont l'impédance est égale à 0,3 Ω afin de minimiser les variations de tension. Contactez votre compagnie de distribution d'électricité pour de plus amples informations.

#### INSTRUCTIONS DE SÉCURITÉ PARTICULIÈRES LASER

Le rayonnement laser utilisé sur cette scie est de classe II, avec maximum  $P \leq 1\text{mW}$  et longueurs d'ondes de  $\lambda: 650\text{ nm}$ . Ne regardez pas directement avec des instruments optiques. Le non-respect des règles peut entraîner des blessures graves.

Ne regardez pas fixement le faisceau pendant le fonctionnement.

Ne projetez pas le faisceau laser directement dans les yeux d'une autre personne. Des blessures graves aux yeux peuvent en résulter.

Ne placez pas le laser dans une position telle que quelqu'un pourrait regarder le faisceau laser intentionnellement ou involontairement.

N'utilisez pas d'outils optiques pour regarder le faisceau laser.

N'utilisez pas le laser à proximité d'enfants et ne permettez pas à des enfants de faire fonctionner le laser.

N'essayez pas de réparer vous-même le dispositif laser.

N'essayez pas de remplacer vous-même les pièces du dispositif laser, quelles qu'elles soient.

Toute réparation doit être effectuée par le fabricant ou un agent de service agréé.

Ne pas remplacer le laser incorporé contre un laser d'un autre type.

#### UTILISATION CONFORME AUX PRESCRIPTIONS

La scie à onglet combinée coulissante est destinée au sciage de bois massif et collé avec ou sans placage collé, de matières plastiques et de matériaux similaires au bois.

La scie à onglet combinée coulissante est destinée à être utilisée uniquement par des opérateurs adultes qui ont lu le manuel d'instructions et comprennent les risques et dangers.

La scie à onglet combinée coulissante est conçue pour être fixée à la base sur un établi robuste. Si la base n'est pas solidement fixée, toute la machine peut se déplacer pendant les opérations de coupe, ce qui augmente les risques de blessures graves.

La scie à onglet combinée coulissante est conçue pour faire des coupes en biseau et des coupes d'onglet. Les capacités pour les différentes coupes sont fournies dans les spécifications produit, dans le présent manuel.

La scie à onglets combinée coulissante doit être utilisée dans des conditions sèches, avec un excellent éclairage ambiant et une ventilation adéquate.

La scie à onglets combinée coulissante est destinée à être utilisée par les particuliers, ne doit être utilisée que comme décrit ci-dessus et n'est pas destinée à d'autres fins.

#### RISQUES RÉSIDUELS

Même lorsque la scie à onglets combinée coulissante est utilisée comme prescrit, il est quand même impossible d'éliminer complètement certains facteurs de risque résiduels. L'opérateur doit faire preuve de vigilance afin d'éviter les risques potentiels suivants :

- Risque de contact avec les parties non couvertes de la lame de scie en rotation.
- Effet de recul des pièces à usiner ou de parties des pièces à usiner en raison d'un réglage ou d'une manipulation incorrects.
- Catapultage des pointes en carbure endommagées de la lame de scie.
- Dommages causés au système respiratoire.

**REMARQUE:** Portez un masque de protection respiratoire avec filtre correspondant au matériau usiné.

Assurez une ventilation adéquate du lieu de travail. Ne pas manger, boire ni fumer dans la zone de travail.

Dommages causés au système auditif si une protection auditive efficace n'est pas portée.

#### AVERTISSEMENT

La poussière de certaines peintures, revêtements et matériaux peut provoquer une irritation ou des réactions allergiques. La poussière de bois comme le chêne, le hêtre, le MDF ou autres est cancérigène. Les matériaux contenant de l'amiante ne doivent être usinés que par des opérateurs spécialisés et qualifiés.

#### AVERTISSEMENT

Des blessures peuvent être causées ou aggravées par l'utilisation prolongée d'un outil. Lorsque vous utilisez un outil quel qu'il soit pendant des périodes prolongées, veillez à faire régulièrement des pauses.

#### CONNAÎTRE SON PRODUIT

Voir page A.

- |  |   |
|--|---|
| 1. Poignée, surface de préhension isolée         | 15. Levier de verrouillage de l'angle biseauté    |
| 2. Interrupteur marche-arrêt                     | 16. Guide coulissant                              |
| 3. Levier de verrouillage de sécurité            | 17. Porte-pièce                                   |
| 4. Bride extérieure                              | 18. Rallonge                                      |
| 5. Lame  | 19. Trous de montage x4                           |
| 6. Protection inférieure                         | 20. Table tournante                               |
| 7. Guide fixe                                    | 21. Échelle onglet                                |
| 8. Plaque à encoche                              | 22. Vis de réglage de l'angle biseauté à 45°      |
| 9. Poignée de verrouillage de la table tournante | 23. Vis de réglage de l'angle biseauté à 90°      |
| 10. Poignée supérieure                           | 24. Interrupteur LED                              |
| 11. Protection supérieure                        | 25. Interrupteur laser                            |
| 12. Évacuation des copeaux                       | 26. Bouton de blocage d'arbre                     |
| 13. Bouton d'arrêt de la tige linéaire           | 27. Plaque de réglage de la profondeur de découpe |
| 14. Pince  | 28. Bouton de réglage de la profondeur de découpe |

#### LISTE DES PIÈCES DE RECHANGE

- PS 216 L: Scie Radiale EN 847-1/ ø216 x ø30 x 2,4 / 48T / HW / n max. 7000 min<sup>-1</sup> (Page A: No. 5)
- PS 254 L: Scie Radiale EN 847-1/ ø254 x ø30 x 2,6 / 48T / HW / n max. 7400 min<sup>-1</sup> (Page A: No. 5)
- KPlaque à encoche (Page A: No. 8)



## BRANCHEMENT SECTEUR

Raccorder uniquement à un courant électrique monophasé et uniquement à la tension secteur indiquée sur la plaque signalétique. Le raccordement à des prises de courant sans contact de protection est également possible car la classe de protection II est donnée.

Les prises de courant se trouvant à l'extérieur doivent être équipées de disjoncteurs différentiel (FI, RCD, PRCD) conformément aux prescriptions de mise en place de votre installation électrique. Veuillez en tenir compte lors de l'utilisation de notre appareil.

Ne raccorder la machine au réseau que si l'interrupteur est en position arrêt.

Le câble d'alimentation doit toujours se trouver en dehors du champ d'action de la machine. Toujours maintenir le câble d'alimentation à l'arrière de la machine.

Avant toute utilisation, vérifier que la machine, le câble d'alimentation, la batterie d'accumulateurs, le câble de rallonge et la fiche ne sont pas endommagés ni usés. Ne faire réparer les éléments endommagés que par un spécialiste..

Une surconsommation temporaire provoque des variations de tension susceptibles d'affecter les autres appareils électriques branchés sur la même ligne d'alimentation. Branchez le produit sur une source d'alimentation électrique dont l'impédance est égale à  $0,3 \Omega$  afin de minimiser les variations de tension.

Contactez votre compagnie de distribution d'électricité pour de plus amples informations.

## ENTRETIEN

Ne modifiez en aucune façon cette scie et n'utilisez pas d'accessoires non agréés par le fabricant. Ceci pourrait compromettre votre sécurité et celle d'autrui.

N'utilisez pas la scie si des interrupteurs, des protecteurs ou toute autre fonction de cette scie ne fonctionnent pas comme prévu. Retournez à votre centre de service agréé pour une réparation ou un réglage professionnel.

Ne procédez à aucun réglage lorsque la lame de scie est en mouvement.

Toujours s'assurer que la fiche du cordon d'alimentation a été débranchée du secteur avant d'effectuer des réglages, de lubrifier ou d'effectuer tout entretien sur le produit.

Avant et après chaque utilisation, vérifiez que votre scie ne présente pas de pièces cassées ou endommagées et maintenez-la en parfait état de fonctionnement en remplaçant immédiatement ces pièces par des pièces de rechange approuvées par le fabricant.

La lame est très chaude après l'utilisation, portez des gants ou laissez-la refroidir avant toute procédure de maintenance ou de nettoyage.

Nettoyez la poussière accumulée à l'aide d'une brosse ou d'un aspirateur. Ne pas utiliser d'air comprimé.

Pour assurer la sécurité et la fiabilité, toutes les réparations, y compris le changement des brosses, doivent être effectuées par un centre de service agréé.

Nettoyer l'appareil et le dispositif de protection avec un chiffon sec.

Tenir toujours propres les orifices de ventilation de la machine.

S'il est nécessaire de remplacer le cordon d'alimentation, cette opération doit être effectuée par le fabricant ou son agent afin d'éviter tout risque mettant en danger la sécurité.

N'utiliser que des pièces et accessoires AEG. Pour des pièces dont l'échange n'est pas décrit, s'adresser de préférence aux stations de service après-vente AEG (voir brochure Garantie/Adresses des stations de service après-vente).

Si besoin est, une vue éclatée de l'appareil peut être fournie. S'adresser, en indiquant bien le numéro porté sur la plaque signalétique, à votre station de service après-vente (voir liste jointe) ou directement à Techtronic Industries GmbH, Max-Eyth-Straße 10, 71364 Winnenden, Germany.

## DÉCLARATION CE DE CONFORMITÉ

Nous déclarons, sous notre responsabilité exclusive, que le produit décrit ici dans les « Caractéristiques techniques » satisfait à toutes les dispositions pertinentes des directives

2011/65/UE (RoHS)

2006/42/CE

2014/30/UE

et que les normes harmonisées suivantes ont été appliquées.

EN 62841-1:2015

EN 62841-3-9:2015+A11:2017

EN 55014-1:2017

EN 55014-2:2015

EN 61000-3-2:2014

EN 61000-3-11:2000

EN IEC 63000:2018



Winnenden, 2019-03-08

Alexander Krug / Managing Director  
Autorisé à compiler la documentation technique.

Techtronic Industries GmbH  
Max-Eyth-Straße 10, 71364 Winnenden, Germany



## SYMBOLES



ATTENTION! AVERTISSEMENT! DANGER!



Avant tous travaux sur la machine extraire la fiche de la prise de courant.



AVERTISSEMENT-Pour réduire le risque de blessures, l'utilisateur doit lire la notice d'instructions!



Toujours porter des lunettes protectrices en travaillant avec la machine.



Toujours porter une protection acoustique!



Porter des gants de protection!



Ne jamais mettre les mains dans la zone de la lame de scie.



Appareil à utiliser uniquement dans un local, à ne jamais l'exposer à la pluie.



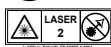
Port de connexion pour l'évacuation des copeaux



Couper uniquement du bois.



Ne pas regarder dans le rayon laser.



Le produit répond à la classe de laser 2, conformément à la norme EN 60825-1:2014.



$\varnothing$  de la lame de scie et de son alésage



Sens de rotation



Dent de scie



Largeur de coupe

**n<sub>0</sub>** Vitesse de rotation à vide

**V** Tension



Courant alternatif



Outil électrique en classe de protection II. Outil électrique équipé d'une protection contre la fulguration électrique qui ne dépend seulement de l'isolation de base mais aussi de l'application d'autres mesures de protection telles qu'une double isolation ou une isolation augmentée.

La connexion d'un conducteur de protection n'est pas prédisposée.



Les dispositifs électriques ne sont pas à éliminer dans les déchets ménagers. Les dispositifs électriques et électroniques sont à collecter séparément et à remettre à un centre de recyclage en vue de leur élimination dans le respect de l'environnement. S'adresser aux autorités locales ou au détaillant spécialisé en vue de connaître l'emplacement des centres de recyclage et des points de collecte.



Marque de conformité européenne



Marque de conformité ukrainienne



Marque de conformité d'Eurasie



DATI TECNICI Troncatrice *	PS 216 L	PS 254 L
Numero di serie	4699 98 01 ... ... 000001-999999	4699 99 01 ... 4740 22 01 ... ... 000001-999999
Potenza assorbita nominale	220-240 V, 50 HZ, 1400W, 6,5 A	220-240 V, 50 HZ, 1800W, 8,7 A
Numero di giri a vuoto	5000 min <sup>-1</sup>	4500 min <sup>-1</sup>
Diametro lama x foro lama	216 x 30 mm	254 x 30 mm
Spessore corpo lama della sega max.	1,6 mm	1,8 mm
Spessore dente lama della sega min.	2,4 mm	2,6 mm
Potenza di taglio max. Ugnatura a 0°/ incl. a 0° Ugnatura a 45°/ incl. a 0° Ugnatura a 0°/ incl. a 45° Ugnatura a 45°/ incl. a 45°	65 x 305 mm 65 x 215 mm 36 x 305 mm 36 x 215 mm	90 x 305 mm 90 x 215 mm 50 x 305 mm 50x 215 mm
Peso secondo la procedura EPTA 01/2014	16,7 kg	19,6 kg
<b>Informazioni sulla rumorosità</b> Valori misurati conformemente alla norma EN 62841. La misurazione A del livello di pressione acustica dell'utensile è di solito di: Livello di rumorosità (Incertezza della misura K=3dB(A)) Potenza della rumorosità (Incertezza della misura K=3dB(A)) <b>Utilizzare le protezioni per l'udito!</b>	99,27 dB (A) 112,27 dB (A)	95,15 dB (A) 108,15 dB (A)

\*PS ≙ Troncatrice

## AVVERTENZA!

Il/i valore/i dichiarato/i di emissione acustica sono stati misurati conformemente a un metodo di prova standard sulla base delle norme EN 62841-1 ed EN 62841-3-9 e possono essere utilizzati per confrontare gli utensili tra loro. Il/i valore/i dichiarato/i di emissione acustica possono essere utilizzati anche per una valutazione preliminare dell'esposizione.

Le emissioni acustiche durante l'uso effettivo dell'elettrotensile possono differire dai valori dichiarati a seconda delle modalità di utilizzo dell'utensile e in particolare del tipo di pezzo da trattare.

Definire misure di sicurezza per la protezione dell'operatore basate su una valutazione del carico durante le condizioni di utilizzo attuali (in questo contesto occorre considerare tutte le parti del ciclo di funzionamento, ad esempio i periodi durante i quali l'elettrotensile è spento e quelli durante i quali l'elettrotensile, pur essendo acceso, funziona a vuoto).

Indossare protezioni acustiche adeguate. L'esposizione al rumore potrebbe comportare una riduzione dell'udito.

**AVVERTENZA** Leggere tutte le avvertenze di sicurezza, le istruzioni, le illustrazioni e i dati forniti a corredo dell'apparecchio. In caso di mancata osservanza delle seguenti istruzioni vi è il pericolo di provocare una scossa elettrica, di sviluppare incendi e/o di provocare seri incidenti.

**Conservare tutte le avvertenze di pericolo e le istruzioni operative per ogni esigenza futura.**

## ISTRUZIONI DI SICUREZZA PER LE TRONCATRICI

**a) Le troncatrici servono a taglio del legno e prodotti simili al legno; esse possono essere usate con ruote di taglio abrasive per il taglio di materiale ferroso come barre, aste, chiodi ecc.** Polvere abrasiva causa il blocco delle parti in movimento come le protezioni inferiori. Scintille da taglio abrasivo bruceranno la protezione inferiore, l'inserto di taglio e altre parti in plastica.

**b) Utilizzare morsetti per sostenere il pezzo in lavorazione, per quanto possibile. Se si sostiene il pezzo con le mani, si deve tenere la mano sempre ad almeno 100 mm da entrambi i lati della lama. Non utilizzare questa sega per tagliare pezzi che troppo piccoli per essere bloccati o mantenuti con la mano in modo sicuro.** Se la mano è posizionata troppo vicino alla lama, vi è un maggiore rischio di lesioni da contatto con la lama.

**c) Il pezzo deve essere fermo e bloccato o tenuto contro la guida e il tavolo. Non alimentare il pezzo nella lama o tagliare "a mano libera" in alcun modo.** Pezzi in lavorazione non fissati o mobili possono essere scagliati ad alta velocità, provocando lesioni.

**d) Premere la sega attraverso il pezzo in lavorazione. Non tirare la sega attraverso il pezzo. Per tagliare, alzare la testa della sega e accostarla al pezzo senza tagliare, avviare il motore, premere la testa della sega verso il basso e spingere la sega attraverso il pezzo in lavorazione.** Tagliare tirando può causare il sollevamento della lama sul pezzo in lavorazione e il lancio violento del gruppo della lama verso l'operatore.



**e) Non incrociare mai le mani sulla linea di taglio intesa davanti o dietro la lama della sega.** Supportare il pezzo in lavorazione "a mani incrociate", ovvero tenendo il pezzo in lavorazione alla destra della lama della sega con la mano sinistra o viceversa è molto pericoloso.

**f) Non porre le mani a meno di 100 mm dalla lama della sega per rimuovere scarti di legno, o per qualsiasi altro motivo, mentre la lama è in rotazione.** La vicinanza della lama della sega che gira alla propria mano può non essere evidente e può portare a infortuni gravi.

**g) Ispezionare il proprio pezzo da lavorare prima del taglio. Se il pezzo da lavorare è piegato o deformato, bloccarlo con il lato piegato esterno verso la guida del pezzo. Assicurarsi sempre che non ci sia spazio tra il pezzo da lavorare, la guida del pezzo e il tavolo lungo la linea di taglio.** Pezzi da lavorare contorti o deformati possono ruotare o spostarsi e causare inceppamento della lama della sega durante il taglio. Non ci dovrebbero essere chiodi o corpi estranei nel pezzo da lavorare.

**h) Non utilizzare la sega fino a quando il tavolo non è libero da utensili, scarti di legno ecc., tranne per il pezzo da lavorare.** Detriti o piccoli pezzi di legno o altri oggetti che entrano a contatto con la lama che gira possono essere scagliati ad alta velocità.

**i) Tagliare solo un pezzo per volta.** Più pezzi da lavorare sovrapposti non possono essere adeguatamente bloccati o rinforzati e possono incastrarsi sulla lama o spostarsi durante il taglio.

**j) Assicurarsi che la troncatrice sia montata o posta su una superficie di lavoro stabile e a livello prima dell'uso.** Una superficie stabile e a livello riduce il rischio che la troncatrice diventi instabile.

**k) Programmare il proprio lavoro. Ogni volta che si cambia l'impostazione dell'angolazione della ruota o della troncatrice, assicurarsi che la guidapezzo regolabile sia impostata correttamente per sostenere il pezzo da lavorare e che non interferirà con la lama o con il sistema di protezione.** Senza accendere l'attrezzo e con nessun pezzo da lavorare sul tavolo, muovere la lama della sega effettuando una simulazione di taglio completa per assicurare che non vi siano interferenze o pericoli durante il taglio da parte della guidapezzo.

**l) Fornire adeguato supporto come prolunghe per tavolo, supporti lama ecc. per un pezzo da lavorare che è più lungo o più lungo della superficie del tavolo.** Pezzi da lavorare più lunghi o larghi del tavolo della troncatrice possono inclinarsi se non supportati correttamente. Se il pezzo tagliato o il pezzo da lavorare si inclina, esso può sollevare la protezione inferiore o essere scagliato dalla lama in movimento.

**m) Non utilizzare un'altra persona come sostituto della prolunga del tavolo o come supporto aggiuntivo.** Un supporto instabile per il pezzo da lavorare può causare la piegatura della lama o lo spostamento del pezzo da lavorare durante l'operazione di taglio tirando l'operatore o l'aiutante verso la lama in funzione.

**n) Il pezzo tagliato non deve essere incastrato o pressato in alcun modo contro la lama della sega in funzione.** Se confinato, vale a dire utilizzando dei blocchi di lunghezza, il pezzo tagliato potrebbe essere incuneato contro la lama ed essere scagliato violentemente.

**o) Usare sempre una morsa o un dispositivo progettato per supportare correttamente materiale rotondo come aste o tubi.** Le aste hanno la tendenza a rotolare mentre vengono tagliate, causando il "morso" della lama e tirando il pezzo da lavorare con la mano nella lama.

**p) Lasciare che la lama raggiunga la piena velocità prima di entrare in contatto con il pezzo da lavorare.** Ciò ridurrà il rischio che il pezzo da lavorare sia scagliato.

**q) Se il pezzo da lavorare o la lama si incastrano, spegnere la troncatrice. Attendere che le parti mobili si arrestino e scollegare la spina dall'alimentazione e/o rimuovere la batteria. Quindi liberare il materiale incastrato.** Continuare a segare con materiale incastrato può causare perdita di controllo o danneggiamento della troncatrice.

**r) Dopo aver ultimato il taglio, rilasciare l'interruttore, tenere la testa della sega verso il basso e attendere che la lama si arresti prima di rimuovere il pezzo tagliato.** Avvicinarsi con la mano alla lama che continua a muoversi per inerzia è pericoloso.

**s) Tenere salda l'impugnatura quando si effettua un taglio incompleto o quando si rilascia l'interruttore prima che la testa della sega sia completamente nella posizione inferiore.** L'azione frenante della sega può causare il ritorno improvviso della testa della sega verso il basso, causando rischio di infortunio.

#### LAMA PER TAGLIO LEGNO NORME DI SICUREZZA

Si prega di leggere attentamente il manuale e le istruzioni prima di usare la lama della sega e la macchina.

La macchina deve essere in buono stato, il mandrino senza deformazione e vibrazione.

Non usare la sega senza le protezioni in posizione, tenere le protezioni in buono stato di funzionamento e di manutenzione.

Assicurare che l'operatore sia adeguatamente addestrato nelle precauzioni di sicurezza, nella regolazione e nel funzionamento della macchina.

Indossare sempre occhiali e protezione acustica quando si usa la macchina. Si raccomanda di indossare guanti, scarpe antiscivolo e grembiule robusti.

Prima di usare un accessorio, consultare il manuale d'istruzione. L'uso improprio di un accessorio può causare danni e aumentare la potenzialità di lesioni.

Usare solo lame specificate in questo manuale, che sono conformi a EN 847-1.

Osservare la velocità massima punzonata sulla lama della sega. Assicurarsi che la velocità punzonata sulla lama della sega è almeno uguale alla velocità punzonata sulla sega.

Utilizzare sempre lame per segatrice che abbiano la misura corretta ed il foro di montaggio adatto. In caso di lame per segatrice inadatte ai relativi pezzi di montaggio non hanno una rotazione perfettamente circolare e comportano il pericolo di una perdita del controllo.

Non usare lame di diametro maggiore o inferiore a quello raccomandato. Non usare distanziali per aggiustare la lama sul mandrino.

Controllare la presenza di danni o anomalie nell'aspetto delle punte della lama della sega. Se usate, punte danneggiate o allentate possono diventare oggetti volanti e aumentare la probabilità di lesioni personali.



Non devono essere utilizzate né lame incrinata né lame la cui forma abbia subito alterazioni. Non usare lame danneggiate o deformate. Rottamare la lama della sega se danneggiata, deformata, distorta o incrinata; non sono permesse riparazioni.

Non utilizzare lame di sega fatte in acciaio rapido.

Assicurare che la lama della sega sia montata correttamente, serrare saldamente il dado dell'albero prima dell'uso (coppia di serraggio circa 12 Nm).

Serrare la viteria di fissaggio con la chiave appropriata, ecc.

Non è permesso prolungare la chiave o serrare a colpi di martello.

Assicurarsi che la lama e le flange siano pulite e che i lati incassati del collare siano contro la lama.

Assicurarsi che la lama ruoti nella direzione corretta.

Prima del lavoro, praticare un taglio fittizio senza il motore acceso, per controllare la posizione della lama, il funzionamento delle protezioni rispetto ad altre parti della macchina, e il pezzo da lavorare.

Non lasciare mai la macchina incustodita.

Non applicare lubrificanti sulla lama quando è in funzione.

Non eseguire mai interventi di pulizia o manutenzione quando la macchina è ancora in funzione e la testa non si trova nella posizione di riposo.

Non provare mai a fermare rapidamente una macchina in moto incastrandolo un utensile o altro mezzo contro la lama, per non provocare inavvertitamente incidenti gravi.

Prima di cambiare lame o eseguire la manutenzione, scollegare la sega dall'alimentazione elettrica o rimuovere il pacco batteria.

Fare attenzione all'imballo e al disimballo della lama, è facile ferirsi con le punte affilate della lama.

Quando si maneggia una lama della sega, usare un supporto lama o indossare guanti.

Mantenere e conservare la lama nell'imballo originale o in altro imballo idoneo, tenerla all'asciutto e lontana da sostanze chimiche che possono danneggiare la lama.

## ULTERIORI AVVISI DI SICUREZZA E DI LAVORO

Saldare sempre il pezzo da lavorare in modo saldo e sicuro.

Accertarsi che la macchina sia sempre stabile (ad esempio fissandola sul banco di lavoro)..

Indossare protezioni acustiche adeguate. L'esposizione al rumore potrebbe comportare una riduzione dell'udito.

Durante il lavoro con la macchina bisogna sempre portare occhiali di protezione. Si raccomanda di indossare guanti per movimentare lame e materiale scabroso, oltre a scarpe antiscivolo robuste che proteggano anche i piedi da pezzi in lavorazione che potrebbero cadere dall'area di taglio.

Assicurarsi sempre di aver staccato la spina di alimentazione dalla presa di corrente prima di effettuare regolazioni, lubrificare o eseguire qualsiasi lavoro di manutenzione sul prodotto.

Inserire la spina solo con interruttore su posizione "OFF".

Non entrare mai nell'area vicina alla lama, salvo che questa si sia completamente fermata.

Prima dell'uso, controllare l'utensile per verificare la presenza di danni o fatica del materiale. Parti danneggiate devono essere riparate esclusivamente da un tecnico specializzato.

Usare sempre il dispositivo di protezione dell'apparecchio. Non usare la macchina se le protezioni non sono posizionate e funzionano correttamente.

La protezione della lama inferiore deve aprirsi soltanto quando la lama è abbassata sul pezzo da lavorare e deve essere sempre in grado di muoversi liberamente e chiudersi automaticamente..

Fissare e usare sempre i supporti per la barra di prolunga per fissare il pezzo da lavorare durante l'operazione.

Non alterare o modificare mai la sega o la sua funzione per non compromettere la vostra sicurezza.

Non usare lame della sega incrinata, danneggiate o deformate.

Non utilizzare lame di sega fatte in acciaio rapido.

Usare solo lame della sega che sono affilate. Sostituire lame che hanno perso il filo con lame nuove.

Utilizzare sempre lame per segatrice che abbiano la misura corretta ed il foro di montaggio adatto.

In caso di lame per segatrice inadatte ai relativi pezzi di montaggio non hanno una rotazione perfettamente circolare e comportano il pericolo di una perdita del controllo.

Usare solo lame per lavorazione del legno specificate in questo manuale, che sono conformi a EN 847-1.

Non usare flange, rondelle e dadi per fissare la lama della sega diversa da quelle fornite o indicate nel manuale d'istruzione.

Scegliere una lama di sega adatta al materiale da tagliare. Non utilizzare il prodotto per tagliare materiali diversi da quelli specificati nel paragrafo "Uso previsto" di queste istruzioni per l'uso.

È importante evitare di surriscaldare la lama e di fondere il pezzo da lavorare in plastica durante il taglio.

Il numero massimo di giri indicato sulla lama della sega deve essere rispettato. Utilizzare esclusivamente le seghe che sono contrassegnate con una velocità uguale o superiore alla velocità contrassegnata sull'utensile.

Sostituire l'inserito per tavolo se usurato o danneggiato.

Prima del lavoro, praticare un taglio fittizio senza il motore acceso, per controllare la posizione della lama, il funzionamento delle protezioni rispetto ad altre parti della macchina, e il pezzo da lavorare.

Nell'eseguire tagli piramidali, tagli a squadra o tagli piramidali multipli, regolare lo schermo scorrevole per garantire la corretta distanza dalla lama.

Il blocco del supporto deve essere sempre azionato quando si trasporta il prodotto.

Tenere il pavimento libero da residui di materiali, ad es. trucioli e residui di taglio.

Non rimuovere dalla zona di lavorazione i residui di taglio o altre porzioni dei pezzi in lavorazione se la macchina è in funzione e la testa segatrice non si trova in posizione di riposo.

Pezzi lunghi devono essere supportati adeguatamente +D6. L'area di lavoro della sega include l'intera superficie del pezzo da lavorare. L'operatore deve proteggere quest'area dal contatto accidentale con altre persone od oggetti che possono muovere il pezzo da lavorare durante l'operazione.

La polvere provocata durante la lavorazione con questo utensile può essere dannosa alla salute e per questo motivo non devono entrare in contatto con il corpo. Usare un sistema d'aspirazione polvere e indossare una maschera di protezione dalla polvere. Rimuovere i depositi di polvere, per esempio con un aspiratore.

Non sostituire il LED o laser con un tipo diverso. Eventuali riparazioni devono essere effettuate solo dal fabbricante o da un tecnico di assistenza autorizzato.

Sovratensioni potrebbero influenzare altri prodotti elettrici collegati alla stessa presa. Collegare il prodotto a una presa dell'alimentazione con una impedenza pari a 0,3 Ω per minimizzare le fluttuazioni di voltaggio. Contattare il proprio fornitore elettrico per avere maggiori chiarificazioni.



## NORME DI SICUREZZA LASER

La radiazione laser usata in questa sega è di Classe II con lunghezze d'onda massime  $P \leq 1mW$  e  $\lambda: 650 nm$ . Non guardare in modo diretto con strumenti ottici. La mancata osservanza delle regole potrebbe causare gravi lesioni personali.

Non fissare il raggio luminoso durante il funzionamento.

Non proiettare il raggio laser direttamente negli occhi di altri. Potrebbero risultarne lesioni oculari gravi.

Non disporre il laser in una posizione che possa indurre altri a guardare il raggio laser con o senza intenzione.

Non usare strumenti ottici per guardare il raggio laser.

Non azionare il laser intorno a bambini o permettere a bambini di azionare la laser.

Non provare a riparare il dispositivo laser da soli.

Non provare a cambiare da soli pezzi del dispositivo laser.

Eventuali riparazioni devono essere effettuate solo dal fabbricante o da un tecnico di assistenza autorizzato.

Non sostituire il laser integrato applicandovi un laser di un altro tipo.

## UTILIZZO CONFORME

La sega da banco radiale serve a segare legno massello e a strati con o senza impiallacciatura incollata, plastiche e materiali simili a legno.

La sega da banco radiale è destinata all'uso esclusivo da parte di operatori adulti che abbiano letto il manuale d'istruzione e comprendano i rischi concreti e potenziali.

La sega da banco radiale è progettata per essere fissata alla base di un piano di banco solido. Se la base non è fissata in modo sicuro, l'intera macchina può muoversi durante le operazioni di taglio, aumentando la possibilità di lesioni personali gravi.

La sega da banco radiale è progettata per realizzare ugnature e tagli a quartabuono. Le capacità dei vari tagli sono fornite nelle specifiche di prodotto nel presente manuale.

La sega da banco radiale deve essere usata in condizioni asciutte, con illuminazione ambiente eccellente e ventilazione adeguata.

La sega da banco radiale è destinata all'uso non professionale e deve essere usata solo come descritta sopra escludendo ogni altro scopo.

## RISCHI RESIDUI

Anche quando la sega da banco radiale è usata come prescritto, è ancora impossibile eliminare completamente certi fattori di rischio residuo. Possono insorgere i seguenti rischi e l'operatore deve fare attenzione speciale a evitare quanto segue:

- rischio di contatto con parti non coperte della lama in rotazione della sega.
- Colpo indietro di pezzi in lavorazione o parti degli stessi a causa di regolazione o movimentazione improprie.
- Catapultamento di punte in carburo guaste dalla lama della sega.
- Danni all'apparato respiratorio.

**AVVISO:** Indossare maschere di protezione respiratoria contenenti filtri adatti ai materiali in lavorazione.

Assicurare una ventilazione adeguata del posto di lavoro. Non mangiare, bere o fumare nell'area di lavoro.

Danneggiamento dell'udito se non s'indossano dispositivi di protezione acustica efficaci.

## AVVERTENZA

La polvere prodotta da certe vernici, rivestimenti e materiali può causare irritazione o reazioni allergiche al sistema respiratorio.

La polvere prodotta da legno come quercia, betulla, MDF e altri è cancerogena. I materiali contenenti amianto devono essere lavorati o trattati solo da operatori specializzati qualificati.

## AVVERTENZA

L'uso prolungato di un utensile può provocare o aggravare lesioni. Quando si usa un utensile per periodi prolungati, si raccomanda di fare delle pause regolari.

## ACQUISIRE FAMILIARITÀ CON IL PRODOTTO

Vedi pagina A.

- |  |  |
|--|--|
| 1. Impugnatura, superficie di presa isolata  | 16. Rete scorrevole                                    |
| 2. Interruttore di commutazione              | 17. Supporto del pezzo da lavorare                     |
| 3. Leva di blocco di sicurezza               | 18. Barra di prolunga                                  |
| 4. Flangia esterna                           | 19. 4 fori di montaggio                                |
| 5. Sega                                      | 20. Tavolo girevole                                    |
| 6. Protezione inferiore                      | 21. Scala di giuntura                                  |
| 7. Rete fissa                                | 22. Vite di regolazione per angolo di smussatura a 45° |
| 8. Placca di incisione                       | 23. Vite di regolazione per angolo di smussatura a 90° |
| 9. Impugnatura di blocco del tavolo girevole | 24. Interruttore LED                                   |
| 10. Impugnatura superiore                    | 25. Interruttore laser                                 |
| 11. Protezione superiore                     | 26. Pulsante di blocco dell'alberino                   |
| 12. Canale di scolo della polvere            | 27. Placca di regolazione della profondità di taglio   |
| 13. Pulsante di arresto della barra lineare  | 28. Pulsante di regolazione della profondità di taglio |
| 14. Morsetto                                 |  |
| 15. Leva di blocco dell'angolo di smussatura |  |

## LISTA DELLE PARTI DI RICAMBIO

- PS 216 L: Troncatrice EN 847-1/  $\emptyset 216 \times \emptyset 30 \times 2,4 / 48T / HW / n$  max. 7000 min-1 (Pagina A: No. 5)
- PS 254 L: Troncatrice EN 847-1/  $\emptyset 254 \times \emptyset 30 \times 2,6 / 48T / HW / n$  max. 7400 min-1 (Pagina A: No. 5)
- KPlacca di incisione (Pagina A: No. 8)

## COLLEGAMENTO ALLA RETE

Connettere solo corrente alternata mono fase e solo al sistema di voltaggio indicato sulla piastra. È possibile anche connettere la presa senza un contatto di messa a terra così come prevede lo schema conforme alla norme di sicurezza di classe II.

Gli apparecchi mobili usati all'aperto devono essere collegati interponendo un interruttore di sicurezza (FI, RCD, PRCD) per guasti di corrente.

Inserire la spina solo con interruttore su posizione "OFF".

Tenere sempre lontano il cavo di collegamento dall'area di lavoro dell'attrezzo.

Prima di ogni utilizzo controllare che il cavo di alimentazione, eventuali prolunghe e la spina siano integre e senza danni. Eventualmente parti danneggiate devono essere controllate e riparate da un tecnico.

Sovratensioni potrebbero influenzare altri prodotti elettrici collegati alla stessa presa. Collegare il prodotto a una presa dell'alimentazione con una impedenza pari a 0,3 Ω per minimizzare le fluttuazioni di voltaggio.

Contattare il proprio fornitore elettrico per avere maggiori chiarificazioni.

#### MANUTENZIONE

Non modificare questa sega in alcun modo né usare accessori non approvati dal fabbricante per non compromettere la vostra sicurezza e quella di altri.

Non usare la sega se eventuali interruttori, protezioni o altra funzione della stessa non funzionano come previsto. Restituire l'utensile a un centro di assistenza autorizzato per riparazioni o regolazioni professionali.

Non effettuare regolazioni mentre la lama della sega è in movimento.

Assicurarsi sempre di aver staccato la spina di alimentazione dalla presa di corrente prima di effettuare regolazioni, lubrificare o eseguire qualsiasi lavoro di manutenzione sul prodotto.

Prima e dopo ogni uso, controllare la sega per verificare la presenza di danni o pezzi rotti e tenerla in stato di funzionamento perfetto sostituendo pezzi immediatamente con ricambi approvati dal fabbricante.

La lama è molto calda dopo l'uso; indossare guanti o lasciarla raffreddare prima di procedure manutentive o pulizia.

Pulire la polvere accumulata con una spazzola o aspirapolvere. Non usare aria compressa.

Per assicurare sicurezza e affidabilità, tutte le riparazioni, incluso il cambio delle spazzole, devono essere eseguite da un centro di assistenza autorizzato.

Pulire l'apparecchio ed il dispositivo di protezione con un panno asciutto.

Tener sempre ben pulite le fessure di ventilazione dell'apparecchio.

Se è necessario sostituire il cavo di alimentazione, rivolgersi al produttore o al Servizio di assistenza per evitare rischi per la salute.

Utilizzare esclusivamente accessori e pezzi di ricambio AEG. L'installazione di pezzi di ricambio non specificamente prescritti dall'AEG va preferibilmente effettuata dal servizio di assistenza clienti AEG (ved. opuscolo Garanzia/Indirizzi Assistenza tecnica).

In caso di mancanza del disegno esploso, può essere richiesto al seguente indirizzo: Techtronic Industries GmbH, Max-Eyth-Straße 10, 71364 Winnenden, Germany.

#### DICHIARAZIONE DI CONFORMITÀ CE

Assumendone la piena responsabilità, dichiariamo che il prodotto descritto nei "Dati tecnici" è conforme alle pertinenti disposizioni delle direttive

2011/65/UE (RoHS)

2006/42/CE

2014/30/UE

e che sono state applicate le seguenti norme armonizzate

EN 62841-1:2015

EN 62841-3-9:2015+A11:2017

EN 55014-1:2017

EN 55014-2:2015

EN 61000-3-2:2014

EN 61000-3-11:2000

EN IEC 63000:2018



Winnenden, 2019-03-08

Alexander Krug / Managing Director

Autorizzato alla preparazione della documentazione tecnica

Techtronic Industries GmbH

Max-Eyth-Straße 10, 71364 Winnenden, Germany



## SIMBOLI



ATTENZIONE! AVVERTENZA! PERICOLO!



Prima di effettuare qualsiasi lavoro sulla macchina togliere la spina dalla presa di corrente.



AVVERTENZA-Per ridurre il rischio di lesioni, l'utente deve leggere il manuale di istruzioni!



Durante l'uso dell'apparecchio utilizzare sempre gli occhiali di protezione.



Utilizzare le protezioni per l'udito!



Indossare guanti protettivi!



Tenere le mani sempre lontane dalla zona di lavoro della lama.



Apparecchio da utilizzare esclusivamente in luogo chiuso, e comunque non esposto a pioggia.



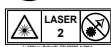
Porta di connessione dello scivolo della polvere



Tagliare esclusivamente legno.



Non guardare nel raggio laser



Il prodotto corrisponde alla classe laser 2 ai sensi della EN 60825-1:2014.



Diametro lama x foro lama



Senso di rotazione



Denti di lama



Ampiezza di taglio

**n<sub>0</sub>**

Numero di giri a vuoto

**V**

Voltaggio



Corrente alternata



Utensile elettrico di classe di protezione II. Utensile elettrico sul quale la protezione contro la folgorazione elettrica non dipende soltanto dall'isolamento di base, ma anche dall'applicazione di ulteriori misure di protezione, come il doppio isolamento o l'isolamento maggiorato.

Non è predisposto il collegamento di un conduttore di protezione.



I dispositivi elettrici non devono essere smaltiti con i rifiuti domestici. I dispositivi elettrici ed elettronici devono essere raccolti separatamente e devono essere conferiti ad un centro di riciclaggio per lo smaltimento rispettoso dell'ambiente. Chiedere alle autorità locali o al rivenditore specializzato dove si trovano i centri di riciclaggio e i punti di raccolta.



Marchio di conformità europeo



Marchio di conformità ucraino



Marchio di conformità euroasiatico



DATOS TÉCNICOS Ingletadora *	PS 216 L	PS 254 L
Número de producción	4699 98 01 ... ... 000001-999999	4699 99 01 ... 4740 22 01 ... ... 000001-999999
Potencia de salida nominal	220-240 V, 50 HZ, 1400W, 6,5 A	220-240 V, 50 HZ, 1800W, 8,7 A
Velocidad en vacío	5000 min <sup>-1</sup>	4500 min <sup>-1</sup>
Disco de sierra - ø x orificio ø	216 x 30 mm	254 x 30 mm
Grosor del cuerpo de la hoja de sierra máx.	1,6 mm	1,8 mm
Grosor de los dientes de la hoja de sierra mín.	2,4 mm	2,6 mm
Potencia máxima de corte Inglete 0°/ Inclinación 0° Inglete 45°/ Inclinación 0° Inglete 0°/ Inclinación 45° Inglete 45°/ Inclinación 45°	65 x 305 mm 65 x 215 mm 36 x 305 mm 36 x 215 mm	90 x 305 mm 90 x 215 mm 50 x 305 mm 50x 215 mm
Peso de acuerdo con el procedimiento EPTA 01/2014	16,7 kg	19,6 kg
<b>Información sobre ruidos</b> Determinación de los valores de medición según norma EN 62841. El nivel de ruido típico del aparato determinado con un filtro A corresponde a:		
Presión acústica (Tolerancia K=3dB(A))	99,27 dB (A)	95,15 dB (A)
Resonancia acústica (Tolerancia K=3dB(A))	112,27 dB (A)	108,15 dB (A)
<b>Usar protectores auditivos!</b>		



\*PS ≙ Ingletadora

#### ADVERTENCIA!

Los valores de emisión de ruido declarados se han medido de conformidad con un método de ensayo estándar de EN 62841-1 y EN 62841-3-9 y pueden utilizarse para comparar una herramienta con otra. El/los valor(es) de emisión de ruido declarados también podrán utilizarse en una evaluación preliminar de la exposición.

Las emisiones de ruido durante el uso real de la herramienta eléctrica pueden diferir de los valores declarados dependiendo de la forma en que se utilice la herramienta, especialmente de qué tipo de pieza de trabajo se procese.

Identifique las medidas de seguridad para proteger al operador sobre la base de una estimación de la exposición en las condiciones reales de uso (teniendo en cuenta todas las partes del ciclo de funcionamiento, como los tiempos en que la herramienta está apagada y cuando está inactiva, además del tiempo de desencadenamiento).

¡Utilice protección auditiva! La exposición a niveles de ruido excesivos puede causar la pérdida de audición.

**⚠ ADVERTENCIA** Lea las indicaciones de seguridad, instrucciones, descripciones y datos que se incluyen en el aparato. En caso de no atenerse a las instrucciones siguientes, ello puede provocar una electrocución, incendio y/o lesiones serias. Guardar todas las advertencias de peligro e instrucciones para futuras consultas.

#### ⚠ INSTRUCCIONES DE SEGURIDAD PARA TRONZADORAS

**a) La finalidad de las tronzadoras es cortar productos de madera y no pueden utilizarse con discos de corte abrasivos para cortar materiales ferrosos como barras, tubos, pernos, etc.** El polvo abrasivo hace que se atasquen las piezas móviles como la defensa inferior. Las chispas que genera el corte abrasivo quemarán la defensa inferior, el inserto de corte y otras piezas de plástico.

**b) Siempre que sea posible, utilice abrazaderas para sujetar la pieza de madera. Si sujeta la pieza de madera manualmente, siempre deberá mantener su mano alejada de ambos lados del disco de la tronzadora, como mínimo, 100 mm. No utilice esta tronzadora para cortar piezas que sean demasiado pequeñas como para ser sujetadas con abrazaderas o la mano.** Si su mano se sitúa demasiado cerca del disco de la tronzadora, se incrementará el riesgo de lesión por contacto con el disco de corte.

**c) La pieza de trabajo deberá estar en estado estacionario y fijada con abrazaderas o contra la reja y la mesa. No empuje la pieza de trabajo contra el disco de la tronzadora "a pulso" de ninguna forma.** Las piezas de trabajo sin sujetar o en movimiento podrían salir disparadas a altas velocidades causando lesiones.

**d) Empuje la tronzoadora a través de la pieza de trabajo. No tire de la tronzoadora a través de la pieza de trabajo. Para hacer un corte, eleve el cabezal de la tronzoadora y, pasándolo por encima de la pieza de trabajo sin cortar, arranque el motor, presione el cabezal de la tronzoadora y empujelo a través de la pieza de trabajo.** Al hacer cortes tirando, es probable que el disco de la tronzoadora ascienda a la parte superior de la pieza de trabajo y que la unidad de corte salga disparada violentamente hacia el operario.

**e) Nunca cruce su mano sobre la línea de corte programada, ya sea delante o detrás del disco de la tronzoadora.**

Sujetar la pieza de trabajo con las "manos cruzadas", p. ej., sosteniendo la pieza de trabajo a la derecha del disco de la tronzoadora con su mano izquierda o viceversa es muy peligroso.

**f) No acceda a la parte posterior de la reja con ninguna de las dos manos a una distancia inferior a 100 mm desde cualquiera de los dos lados del disco de la tronzoadora para retirar trozos de madera o por cualquier otro motivo mientras el disco este girando.** La proximidad del disco de la tronzoadora a su mano mientras esté girando podría no ser obvia y esto podría lesionar su mano seriamente.

**g) Inspeccione su pieza de trabajo antes de cortarla. Si la pieza de trabajo está abombada o deformada, sujete la parte exterior abombada con abrazaderas en dirección a la reja. Asegúrese siempre que no haya un espacio entre la pieza de trabajo, la reja y la mesa a lo largo de la línea de corte.** Las piezas de trabajo abombadas o deformadas pueden retorcerse o desplazarse y esto podría atascar el disco de la tronzoadora mientras gira durante el corte. No debe haber clavos u objetos extraños en la pieza de trabajo.

**h) No utilice la tronzoadora hasta que se hayan retirado todas las herramientas, trozos de madera, etc., de la mesa, con excepción de la pieza de trabajo.** Las astillas pequeñas o las piezas sueltas de madera, u otros objetos que entren en contacto con el disco de la tronzoadora al girar podrían salir disparados a gran velocidad.

**i) Corte únicamente una pieza de trabajo por vez.** Las piezas de trabajo múltiples apiladas no pueden sujetarse adecuadamente con una abrazadera o fijarse, y esto podría atascar el disco de la tronzoadora mientras gira o desplazarse durante el corte.

**j) Asegúrese de que la tronzoadora está montada o situada sobre una superficie de trabajo nivelada y firme antes de usarla.** Una superficie de trabajo nivelada y firme reduce el riesgo de que la tronzoadora se vuelva inestable.

**k) Planifique su trabajo. Cada vez que cambie el ajuste del ángulo de biselar o tronzar, asegúrese de que la reja ajustable está fijada correctamente para soportar la pieza de trabajo y que no interferirá con el disco o el sistema de defensa.** Sin pulsar el botón "ON" de la herramienta y sin una pieza de trabajo en la mesa, mueva el disco de la tronzoadora a lo largo de una simulación de corte para asegurar que no habrá ninguna interferencia o peligro de cortar la reja.

**l) Proporcione un soporte adecuado como, por ejemplo, extensiones de mesa, caballetes para tronzoadoras, etc., para una pieza de trabajo que sea más ancha o más larga que la superficie de trabajo de la mesa.** Las piezas de trabajo más largas o más anchas que la mesa de la tronzoadora pueden volcar si no disponen de un soporte adecuado. Si la pieza de corte o la pieza de trabajo volcase, esta podría levantar la defensa inferior o ser disparada por el disco mientras gira.

**m) No utilice a otra persona como sustituto de una extensión de la mesa o como soporte adicional.** Un soporte inestable para la pieza de trabajo puede provocar que el disco de la tronzoadora se atasque o que la pieza de trabajo se desplace durante la operación de corte, arrastrándolo a usted y a su ayudante hacia el disco de la tronzoadora mientras gira.

**n) La pieza de corte no debe martillearse o presionarse de ninguna forma contra el disco de la tronzoadora mientras gira.** Si se confina, p. ej., utilizando topes longitudinales, la pieza de corte podría quedar atascada contra el disco de la tronzoadora y salir disparado violentamente.

**o) Utilice siempre una abrazadera o una fijación designada para sujetar apropiadamente materiales cilíndricos como barras o tubos.** Las barras tienden a rodar mientras se cortan, haciendo que el disco de la tronzoadora "muerda" y tire del trabajo con su mano hacia el disco.

**p) Deje que el disco de la tronzoadora alcance la velocidad máxima antes de que entre en contacto con la pieza de trabajo.** Esto reducirá el riesgo de que la pieza de trabajo salga disparada.

**q) Si se atasca la pieza de trabajo o el disco de la tronzoadora, apague la tronzoadora. Espere hasta que todas las partes móviles se hayan detenido y desconecte el enchufe de la toma de corriente y/o retire la batería. Ahora puede comenzar a trabajar para liberar el material atascado.** Continuar tronizando con una pieza de trabajo atascada podría causar una pérdida de control o dañar la tronzoadora.

**r) Tras finalizar el corte, suelte el interruptor, mantenga el cabezal de la tronzoadora hacia abajo y espere a que el disco se detenga antes de retirar la pieza de corte.** Aproximar su mano al disco en desplazamiento es peligroso.

**s) Sujete el mango firmemente al hacer un corte incompleto o al liberar el interruptor antes de que el cabezal de la tronzoadora se encuentre completamente en la posición inferior.** La acción de frenado de la tronzoadora podría causar que el cabezal de la misma tire hacia abajo de forma inesperada, lo que conlleva riesgo de lesiones.

#### HOJA DE CARPINTERÍA INSTRUCCIONES DE SEGURIDAD

Por favor, lea detenidamente este manual y las instrucciones que contiene antes de utilizar la hoja de sierra y la máquina.

La máquina deben encontrarse en perfecto estado y el husillo no debe presentar deformación o vibración alguna.

No utilice la hoja sin contar con elementos de protección funcionales. Mantenga los elementos de protección en perfecto estado de funcionamiento y sujetos a un mantenimiento adecuado.

Asegúrese de que el operario dispone de la capacitación adecuada en cuanto a precauciones de seguridad, ajuste y operación de la máquina.

Lleve siempre puestas gafas de protección y protectores auditivos al utilizar la máquina. Se recomienda llevar guantes, calzado resistente antideslizante y un delantal.

Antes de utilizar cualquier accesorio, consulte el manual de instrucciones. El uso inadecuado de un accesorio puede causar daños e incrementar el potencial de lesiones.

Utilice únicamente las hojas indicadas en este manual, las cuales cumplen con la norma EN 847-1.

Tenga en cuenta la velocidad máxima indicada en la hoja de sierra. Asegúrese de que la velocidad indicada en la hoja de sierra sea, como mínimo, igual a la velocidad indicada en la sierra.

Siempre utilizar las hojas de sierra con las dimensiones correctas y el orificio adecuado. Las hojas de sierra que no correspondan a los elementos de montaje de ésta, giran excéntricas y pueden hacerle perder el control sobre la sierra.

No utilice hojas de un diámetro superior o inferior al recomendado. No utilice separadores para hacer que la hoja encaje en el husillo.

Compruebe los dientes de la hoja de sierra en busca de daños o de un aspecto anormal antes de cada uso. Los dientes dañados o sueltos pueden salir despedidos durante el uso e incrementar la probabilidad de lesiones personales.

No usar seguetas rajadas o torcidas. No use hojas de sierra dañadas o deformadas.

Deseche la hoja de sierra si está dañada, deformada, distorsionada o fracturada. No se permite llevar a cabo reparaciones.

No emplear hojas de sierra elaboradas de acero de corte rápido.

Asegúrese de que la hoja de sierra está montada correctamente y apriete la tuerca de husillo firmemente antes de su uso (par de apriete aproximado 12 Nm).

Los tornillos y tuercas de fijación deben apretarse utilizando la llave apropiada, etc.

No se permite utilizar un extensor para la llave o apretar mediante martillazos.

Asegúrese de que la hoja y las bridas de montaje están limpias y que los lados rebajados del cuello se encuentran contra la hoja.

Asegúrese de que la hoja gira en la dirección correcta.

Antes de comenzar con el trabajo, lleve a cabo una prueba de corte sin encender el motor para comprobar la posición de la hoja, el funcionamiento de los elementos de protección con respecto a otras partes de la máquina y la pieza de trabajo.

Nunca deje la máquina desatendida.

No aplique lubricantes sobre la hoja cuando esté girando.

Nunca lleve a cabo trabajos de limpieza o mantenimiento cuando la máquina esté en funcionamiento y el cabezal no se encuentre en la posición de reposo.

Nunca intente detener una máquina en movimiento golpeando rápidamente la hoja con una herramienta u otro objeto, de esta forma se pueden provocar accidentes graves de forma inintencionada.

Desconecte la sierra de la fuente de alimentación principal o retire el pack de batería antes de cambiar las hojas o de llevar a cabo trabajos de mantenimiento.

Preste atención al embalaje o desembalar la hoja, es fácil cortarse con los dientes afilados de la hoja.

Utilice un portahojas o lleve guantes cuando maneje hojas de sierra.

Mantenga y almacene la hoja en el embalaje original o en otro embalaje adecuado, manténgala en un lugar seco y alejada de productos químicos que pudieran dañar la hoja.

Sujete siempre la pieza de trabajo firmemente y de forma segura.

Asegúrese de que la máquina se encuentre siempre en una posición segura (p. ej. sujetarla en el banco de trabajo).

¡Utilice protección auditiva! La exposición a niveles de ruido excesivos puede causar la pérdida de audición.

Mientras trabaje con la máquina lleve siempre gafas protectoras. Se recomienda llevar guantes adecuados para el uso de hojas y materiales romos, así como calzado resistente antideslizante que también proteja los pies frente a la caída de piezas de trabajo desde el área de corte.

Asegúrese siempre de haber retirado el enchufe de la fuente de alimentación de la red eléctrica antes de realizar ajustes, lubricar o realizar cualquier tipo de mantenimiento en el producto.

Enchufar la máquina a la red solamente en posición desconectada.

No acerque nunca la mano al área próxima a la hoja, a menos que la hoja se haya detenido completamente.

Antes de utilizarla, compruebe la herramienta en busca de cualquier tiempo de daño o de desgaste en el material. Las piezas defectuosas sólo pueden ser reparadas por un especialista.

Usar siempre las piezas de protección de la máquina. No utilice la máquina si los elementos de protección no están instalados y funcionando correctamente.

El protector inferior de la cuchilla solo debe abrirse cuando se baja la cuchilla a la pieza de trabajo y siempre debe poder moverse libremente y cerrarse automáticamente..

Siempre fije y use los soportes de la barra de extensión para sujetar la pieza de trabajo durante la operación.

Nunca altere o modifique la sierra o su funcionamiento. Su seguridad nunca debe comprometerse.

No utilice hojas de sierra que estén fracturadas, dañadas o deformadas.

No emplear hojas de sierra elaboradas de acero de corte rápido.

Utilice únicamente hojas de sierra que estén afiladas. Sustituya las hojas que no esté afiladas por otras nuevas.

Siempre utilizar las hojas de sierra con las dimensiones correctas y el orificio adecuado.

Las hojas de sierra que no correspondan a los elementos de montaje de ésta, giran excéntricas y pueden hacerle perder el control sobre la sierra.

Utilice únicamente hojas de carpintería, especificadas en este manual, que cumplan con la norma EN 847-1.

No utilice ningún tipo de bridas, arandelas o tuercas que no sean las suministradas o indicadas en este manual de instrucciones para asegurar la hoja de sierra.

Elegir la hoja de sierra adecuada para el material a cortar. No utilice el producto para cortar materiales que no sean los especificados en la sección «Uso previsto» de este manual de instrucciones.

Es importante evitar el sobrecalentamiento de la cuchilla y el derretimiento de la pieza de plástico durante el corte.

Deberá observarse siempre el número de revoluciones máximo indicado en la hoja de la sierra. Solo use una hoja de sierra que esté marcada con una velocidad igual o superior a la marcada en la herramienta.

Sustituya el inserto de la mesa cuando esté gastado o dañado.

Antes de comenzar con el trabajo, lleve a cabo una prueba de corte sin encender el motor para comprobar la posición de la hoja, el



funcionamiento de los elementos de protección con respecto a otras partes de la máquina y la pieza de trabajo.

Al realizar cortes en inglete, en bisel o en inglete compuesto, ajuste la guía deslizante para garantizar la holgura correcta de la hoja.

El tope del soporte debe estar siempre encajado cuando se transporte el producto.

Mantenga la superficie libre de restos de material como p. ej. virutas y restos de aserrado

No quitar restos de aserrado u otras partes de piezas de trabajo del área de aserrado al estar la máquina en funcionamiento y si la cabeza de la sierra no se encuentra en posición inactiva.

Apoyar de forma adecuada la pieza a trabajar. El área de trabajo de la sierra incluye toda la extensión de la pieza de trabajo. El operador debe proteger esta área contra el contacto accidental de otras personas u objetos que puedan mover la pieza de trabajo durante la operación.

El polvo que se produce cuando se usa esta herramienta puede ser perjudicial para la salud. Use un sistema de absorción de polvo y utilice una máscara adecuada de protección contra el polvo. Limpie el polvo depositado, por ejemplo con un aspirador.

No sustituya las luces LED o el láser por otro tipo diferente. Solo el fabricante o un agente de servicio autorizado deberán llevar a cabo cualquier tipo de reparación.

Un pico de tensión causa variaciones de voltaje y puede afectar a otros aparatos eléctricos de la misma línea eléctrica. Enchufe el dispositivo a la toma de electricidad con una impedancia de 0,3  $\Omega$  para minimizar las fluctuaciones de voltaje. Contacte con su proveedor de energía eléctrica para obtener más aclaraciones

### INSTRUCCIONES DE SEGURIDAD LÁSER

La radiación del láser que se utiliza en esta sierra es de Clase II con máximo  $P \leq 1\text{mW}$  y una longitud de onda de  $\lambda: 650\text{nm}$ . No visualizar directamente con instrumentos ópticos. La inobservancia de estas normas puede derivar en lesiones personales serias.

No mire directamente al haz de luz láser durante el funcionamiento.

No proyecte el haz de luz láser directamente a los ojos de otra persona. Esto puede derivar en lesiones oculares.

No sitúe el láser en una posición que pudiera provocar que alguien mire intencionada o inintencionadamente al haz de luz láser.

No utilice instrumentos ópticos para visualizar el haz de luz láser.

No haga funcionar el láser en presencia de niños ni les permita utilizar el láser.

No intente reparar el dispositivo láser por sí mismo.

No intente sustituir ninguna de las piezas del dispositivo láser por sí mismo.

Solo el fabricante o un agente de servicio autorizado deberán llevar a cabo cualquier tipo de reparación.

No sustituya el láser original por uno de otro tipo.

### APLICACIÓN DE ACUERDO A LA FINALIDAD

La tronzoadora oscilante está destinada a cortar madera sólida o ligada (con o sin recubrimiento encolado), plásticos y materiales similares a la madera.

La tronzoadora oscilante está destinada a ser utilizada exclusivamente por parte de operarios adultos que hayan leído el manual de instrucciones y que entiendan los riesgos y peligros.

La tronzoadora oscilante está diseñada para fijarse en su base a la parte superior de un banco de trabajo. Si la base no está fijada de forma segura, la máquina en su totalidad podría moverse durante las operaciones de corte, lo que incrementa la posibilidad de lesiones personales serias.

La tronzoadora oscilante está diseñada para cortes de bisel y a inglete. Las capacidades para los distintos cortes se proporcionan en las especificaciones del producto disponibles en el presente manual.

La tronzoadora oscilante debe utilizarse de seco, con una iluminación ambiental excelente y con una ventilación adecuada.

La tronzoadora oscilante está destinada para el uso a nivel de consumidor, solo debe utilizarse según se describe más arriba y no está destinada para ningún otro tipo de finalidad.

### PELIGROS RESIDUALES

Incluso si la tronzoadora oscilante se utiliza para su uso prescrito, seguirá siendo imposible eliminar completamente ciertos factores de riesgo residuales. Pueden surgir los siguientes peligros y el operario debería prestar especial atención para evitarlos:

- Riesgo de contacto con partes no cubiertas de la hoja de sierra en rotación.
- Retroceso de las piezas de trabajo o partes de las piezas de trabajo a causa de una ajuste o manipulación inadecuados.
- Eyección a altas de velocidades de los dientes de carburo defectuosos de la hoja de sierra.
- Daños al sistema respiratorio.

**OBSERVACIÓN:** Llevar máscaras de protección respiratoria que contengan filtros apropiados para los materiales con los que se está trabajando.

Asegurar una ventilación adecuada del área de trabajo. No comer, beber o fumar en el área de trabajo.

Daños auditivos si no lleva puesta una protección auditiva funcional.

### ADVERTENCIA

El polvo de ciertas capas de pinturas y materiales puede causar irritación o reacciones alérgicas en el sistema respiratorio. El polvo de maderas como roble, haya, tableros DM y otras son carcinogénicas. Solo operarios especializados y cualificados deberán trabajar con o procesar materiales que contengan amianto.

### ADVERTENCIA

Las lesiones pueden estar causadas o verse agravadas por el uso prolongado de una herramienta. Cuando utilice cualquier herramienta durante periodos prolongados, asegúrese de tomar descansos periódicos.



## FAMILIARÍCESE CON EL PRODUCTO.

Ver página A.

1. Mango, superficie de agarre aislada
2. Interruptor de gatillo
3. Palanca de bloqueo de seguridad
4. Brida exterior
5. Cuchilla de sierra
6. Protección inferior
7. Reja fija
8. Placa de muesca
9. Manija de bloqueo de placa giratoria
10. Manija superior
11. Protección superior
12. Conducto de polvo
13. Botón de parada de varilla lineal
14. Abrazadera
15. Palanca de bloqueo de ángulo de bisel
16. Reja deslizante
17. Portapiezas
18. Barra de extensión
19. Orificios de montaje x4
20. Placa giratoria
21. Escala de tronzadora
22. Tornillo de ajuste para ángulo de bisel de 45°
23. Tornillo de ajuste para ángulo de bisel de 90°
24. Interruptor LED
25. Interruptor láser
26. Botón de bloqueo de husillo
27. Placa de ajuste de profundidad de corte
28. Botón de ajuste de profundidad de corte

## LISTA DE REPUESTOS

- PS 216 L: Ingletadora EN 847-1/  $\varnothing 216 \times \varnothing 30 \times 2,4$  / 48T / HW / n máx. 7000 min-1 (Página A: No. 5)
- PS 254 L: Ingletadora EN 847-1/  $\varnothing 254 \times \varnothing 30 \times 2,6$  / 48T / HW / n máx. 7400 min-1 (Página A: No. 5)
- KPlaca de muesca (Página A: No. 8)

## CONEXIÓN ELÉCTRICA

Conectar solamente a corriente AC monofásica y sólo al voltaje indicado en la placa de características. También es posible la conexión a enchufes sin toma a tierra, dado que es conforme a la Clase de Seguridad II.

Conecte siempre la máquina a una red protegida por interruptor diferencial y magnetotérmico (FI, RCD, PRCD), para su seguridad personal, según normas establecidas para instalaciones eléctricas de baja tensión.

Enchufar la máquina a la red solamente en posición desconectada.

Mantener siempre el cable separado del radio de acción de la máquina.

Antes de empezar a trabajar compruebe si está dañada la máquina, el cable o el enchufe. Las reparaciones sólo se llevarán a cabo por Agentes de Servicio autorizados.

Un pico de tensión causa variaciones de voltaje y puede afectar a otros aparatos eléctricos de la misma línea eléctrica. Enchufe el dispositivo a la toma de electricidad con una impedancia de 0,3  $\Omega$  para minimizar las fluctuaciones de voltaje.

Contacte con su proveedor de energía eléctrica para obtener más aclaraciones

## MANTENIMIENTO

No modifique esta sierra en forma alguna ni utilice accesorios que no estén autorizados por el fabricante. Se podría comprometer su seguridad y la de terceros.

No utilice la sierra si algún interruptor, elemento de protección o cualquier otra función de esta sierra no funciona de conformidad con su uso previsto. Devuélvala a un centro de servicio autorizado para llevar a cabo una reparación o un ajuste profesional.

No efectúe ningún tipo de ajustes mientras la hoja de sierra esté en movimiento.

Asegúrese siempre de haber retirado el enchufe de la fuente de alimentación de la red eléctrica antes de realizar ajustes, lubricar o realizar cualquier tipo de mantenimiento en el producto.

Antes y después de cada uso, compruebe su sierra en busca de daños o piezas rotas, y manténgala en perfectas condiciones de funcionamiento sustituyendo inmediatamente las piezas por piezas de repuesto autorizadas por el fabricante.

Las hojas están muy caliente después del uso, lleve puestos guates o permita que la hoja se enfríe antes de llevar a cabo trabajos de mantenimiento o limpieza.

Limpie el polvo acumulado utilizando un cepillo o una aspiradora. No utilice aire comprimido.

Para asegurar la seguridad y la fiabilidad, todas las reparaciones, incluidas el cambio de cepillos, deben ser llevadas a cabo por un centro de servicio autorizado.

Limpie la herramienta y el dispositivo protector con un paño seco.

Las ranuras de ventilación de la máquina deben estar despejadas en todo momento.

Si fuera necesario sustituir el cable de alimentación, deberá hacerlo el fabricante o su representante para evitar riesgos para la seguridad.

Solo se deben utilizar accesorios y piezas de repuestos AEG. Piezas cuyo recambio no está descrito en las instrucciones de uso, deben sustituirse en un centro de asistencia técnica AEG (Consulte el folleto Garantía/Direcciones de Centros de Asistencia Técnica).

En caso necesario, puede solicitar un despiece de la herramienta. Por favor indique el número de impreso que hay en la etiqueta y pida el despiece a la siguiente dirección: Techtronic Industries GmbH, Max-Eyth-Straße 10, 71364 Winnenden, Germany.

## DECLARACION DE CONFORMIDAD CE

Declaramos bajo nuestra única responsabilidad que el producto descrito bajo "Datos técnicos" cumple todas las disposiciones pertinentes de las directivas

2011/65/UE (RoHS)

2006/42/CE

2014/30/UE

y que se han implementado y estándares

EN 62841-1:2015

EN 62841-3-9:2015+A11:2017

EN 55014-1:2017

EN 55014-2:2015

EN 61000-3-2:2014

EN 61000-3-11:2000

EN IEC 63000:2018



Winnenden, 2019-03-08

Alexander Krug / Managing Director  
Autorizado para la redacción de los documentos técnicos.

Techtronic Industries GmbH  
Max-Eyth-Straße 10, 71364 Winnenden, Germany

Español



## SÍMBOLOS



¡ATENCIÓN! ;ADVERTENCIA! ;PELIGRO!



Desconecte siempre el enchufe antes de llevar a cabo cualquier trabajo en la máquina.



ADVERTENCIA-Para reducir el riesgo de lesiones, el usuario debe leer el manual de instrucciones.



Para trabajar con la máquina, utilizar siempre gafas de protección.



Usar protectores auditivos!



Usar guantes protectores



No introduzca jamás las manos en el área de la hoja de la sierra.



Sólo para uso en interiores



Puerto de conexión del conducto de polvo



Corte únicamente madera.



No mire hacia la luz láser



El producto corresponde a la clase láser 2 según EN 60825-1:2014.



Disco de sierra -  $\varnothing$  x orificio  $\varnothing$



Dirección de rotación



Dientes de la hoja



Ancho de corte

**n<sub>0</sub>** Velocidad en vacío

**V** Tensión



Corriente CA



Herramienta eléctrica de la clase de protección II. Herramientas eléctricas, en las que la protección contra un choque eléctrico no depende solamente del aislamiento básico sino también de la aplicación de medidas adicionales de protección, como doble aislamiento o aislamiento reforzado.

No existe dispositivo para la conexión de un conductor protector.



Los aparatos eléctricos no se deben eliminar junto con la basura doméstica. Los aparatos eléctricos y electrónicos se deben recoger por separado y se deben entregar a una empresa de reciclaje para una eliminación respetuosa con el medio ambiente. Infórmese en las autoridades locales o en su tienda especializada sobre los centros de reciclaje y puntos de recogida.



Marcado de conformidad europeo



Marcado de conformidad ucraniano



Marcado de conformidad euroasiático



CARACTERÍSTICAS TÉCNICAS Serra de Esquadrilhas *	PS 216 L	PS 254 L
Número de produção	4699 98 01 ... ... 000001-999999	4699 99 01 ... 4740 22 01 ... ... 000001-999999
Potência absorvida nominal	220-240 V, 50 HZ, 1400W, 6,5 A	220-240 V, 50 HZ, 1800W, 8,7 A
Velocidade em vazio	5000 min <sup>-1</sup>	4500 min <sup>-1</sup>
Ø de disco x Ø da furação	216 x 30 mm	254 x 30 mm
Espessura do corpo da serra no máx.	1,6 mm	1,8 mm
Espessura dos dentes da serra no mín.	2,4 mm	2,6 mm
Potência de corte máx. Esquadria 0°/ Inclinação 0° Esquadria 45°/ Inclinação 0° Esquadria 0°/ Inclinação 45° Esquadria 45°/ Inclinação 45°	65 x 305 mm 65 x 215 mm 36 x 305 mm 36 x 215 mm	90 x 305 mm 90 x 215 mm 50 x 305 mm 50 x 215 mm
Peso nos termos do procedimento-EPTA 01/2014	16,7 kg	19,6 kg
<b>Informações sobre ruído</b> Valores de medida de acordo com EN 62841. O nível de ruído avaliado A do aparelho é tipicamente: Nível da pressão de ruído (Incertez K=3dB(A)) Nível da potência de ruído (Incertez K=3dB(A)) <b>Use protectores auriculares!</b>	99,27 dB (A) 112,27 dB (A)	95,15 dB (A) 108,15 dB (A)

\*PS ≙ Serra de Esquadrilhas

### ATENÇÃO!

O(s) valor(es) declarados de emissão de ruído foram medidos de acordo com um método de teste padronizado estabelecido pelas normas EN 62841-1 e EN 62841-3-9, podendo ser utilizados para fazer comparações entre ferramentas. O(s) valor(es) de emissão de ruído declarados também podem ser utilizados para realizar uma avaliação preliminar da exposição.

As emissões de ruído durante a utilização efetiva da ferramenta elétrica poderão divergir dos valores declarados, em função do modo de utilização da ferramenta, e, sobretudo, do tipo de peça em processamento.

Identifique as medidas de segurança para proteger o operador, com base numa estimativa de exposição às condições reais de utilização (tendo em conta todas as partes do ciclo de funcionamento, tais como quando a ferramenta é desligada e quando está a funcionar em modo de espera, além do momento da ativação).

Sempre use a proteção dos ouvidos. Os ruídos podem causar surdez.

**⚠ ATENÇÃO** Ler todas as indicações de segurança, instruções, representações e dados fornecidos juntamente com o aparelho. O desrespeito das seguintes instruções pode levar a um choque eléctrico, incêndio e/ou graves lesões.

**Guarde bem todas as advertências e instruções para futura referência.**

### ⚠ INSTRUÇÕES DE SEGURANÇA PARA SERRAS CIRCULARES

a) As serras circulares destinam-se a cortar madeira ou produtos semelhantes a madeira, não podendo ser utilizadas com discos de corte abrasivos para cortar materiais ferrosos, tais como barras, varas, pinos, etc. O pó proveniente dos produtos abrasivos faz com que as peças móveis, tais como a proteção inferior, encravem. As faíscas produzidas pelo corte abrasivo queimarão a proteção inferior, o encaixe de corte e outras peças de plástico.

b) Sempre que possível, utilize grampos para segurar a peça. Se estiver a segurar a peça com as mãos, deverá sempre manter a sua mão a uma distância de, pelo menos, 100 mm de qualquer um dos lados da lâmina da serra. Não utilize esta serra para cortar pedaços que, por serem demasiado pequenos, não possam fixar-se em segurança com grampos ou manualmente. Se a sua mão estiver demasiado próxima da lâmina da serra, há um risco acrescido de lesão por contacto com a lâmina.

c) A peça tem de estar imóvel e presa com grampos, ou ser apoiada contra a barreira de proteção e contra a mesa. Não introduza a peça na lâmina nem efetue cortes de «mão livre», em nenhuma situação. As peças soltas ou móveis poderão ser projetadas a altas velocidades, provocando ferimentos.

d) Empurre a serra através da peça. Não puxe a serra através da peça. Para fazer um corte, levante a cabeça da serra, puxe-a sobre a peça sem cortar, ligue o motor, pressione a cabeça da serra para baixo e empurre a serra através da peça. Começar a cortar no momento de arranque poderá fazer com que a lâmina da serra suba para cima da peça e projete a montagem da lâmina, violentamente, contra o operador.



Por

**e) Nunca atravesse a sua mão sobre a linha de corte pretendida, quer em frente quer atrás da lâmina da serra.** Segurar na peça com as «mãos cruzadas», ou seja, segurar na peça à direita da lâmina da serra com a sua mão esquerda, ou vice-versa, é muito perigoso.

**f) Enquanto a serra estiver a girar, não tente chegar atrás da barreira de proteção, com nenhuma das mãos, para remover restos de madeira ou por qualquer outro motivo, a uma distância mais próxima do que 100 mm de cada um dos lados da lâmina da serra.** A proximidade da lâmina da serra em rotação relativamente à sua mão poderá não ser evidente e poderá lesionar-se de forma séria.

**g) Inspeccione a sua peça antes de a cortar. Se a peça estiver empenada ou deformada, fixe-a com grampos colocando o exterior da parte empenada contra a barreira. Certifique-se sempre de que, ao longo da linha de corte, não existe nenhum espaço vazio entre a peça, a barreira e a mesa.** As peças empenadas ou deformadas podem girar ou deslocar-se e fazer com que a serra em movimento bloqueie durante o corte. A peça não deverá conter pregos ou objetos estranhos.

**h) Não utilize a serra até que a mesa se encontre desimpedida de todas as ferramentas, restos de madeira, etc., exceto a própria peça.** Pequenos detritos e pedaços soltos de madeira ou outros objetos que contactem com a lâmina em rotação poderão ser projetados a alta velocidade.

**i) Corte apenas uma peça de cada vez.** Várias peças empilhadas não podem ser adequadamente grampeadas ou escoradas, podendo vir a bloquear a lâmina ou a deslocar-se durante o corte.

**j) Antes de utilizar, certifique-se de que a serra circular é montada ou colocada sobre uma superfície de trabalho nivelada e firme.** Uma superfície de trabalho nivelada e firme reduz o risco de a serra circular se tornar instável.

**k) Planeie o seu trabalho. Sempre que alterar a configuração do chanfradura ou o ângulo da serra circular, certifique-se de que a barreira ajustável está montada de forma correta para apoiar a peça e de que não interfere com a lâmina ou com o sistema de proteção.** Sem ligar a ferramenta e sem ter nenhuma peça na mesa, desloque a lâmina da serra através de um corte completo simulado, a fim de garantir que não existe nenhuma interferência ou perigo de cortar a barreira de proteção.

**l) Para peças que sejam mais longas do que o tempo da mesa, proporcione apoios adequados, tais como extensões de bancada, cavaletes, etc.** Se não tiverem um apoio seguro, as peças mais longas ou largas do que a mesa da serra circular poderão inclinar-se. Se o pedaço cortado ou a própria peça se inclinarem, poderão fazer levantar a proteção inferior ou ser projetados pela lâmina em rotação.

**m) Não utilize outra pessoa como substituto de uma extensão de bancada ou como apoio adicional.** O apoio instável da peça poderá fazer com que a lâmina bloqueie ou com que a peça se desloque durante a operação de corte, puxando-o a si e ao seu auxiliar para a lâmina em rotação.

**n) A peça cortada não deve ser encravada ou pressionada, seja de que modo for, contra a lâmina da serra em movimento.** Se for confinado, ou seja, se forem utilizados travões de comprimento, o pedaço cortado pode ficar encravado contra a lâmina e ser projetado violentamente.

**o) Utilize sempre um grampo ou aparelho concebido para apoiar adequadamente materiais redondos, tais como varas ou tubagens.** As varas têm tendência para rolar ao serem cortadas, fazendo com que a lâmina «morda» e puxe o trabalho, juntamente com a sua mão, para a lâmina.

**p) Deixe a lâmina alcançar a velocidade máxima antes de contactar com a peça.** Isto reduzirá o risco de a peça ser projetada.

**q) Se a peça ou a lâmina encravarem, desligue a serra circular. Espere que todas as partes em movimento parem e desligue a ficha da fonte de alimentação elétrica e/ou retire a bateria. Depois, liberte o material encravado.** Continuar a serrar uma peça encravada poderá provocar a perda de controlo ou danificar a serra circular.

**r) Depois de acabar de cortar, solte o interruptor, mantenha a cabeça da serra em baixo e aguarde que a lâmina pare, antes de remover a peça cortada.** Aproximar a sua mão da lâmina enquanto esta ainda estiver a abrandar é perigoso.

**s) Segure firmemente na pega ao fazer um corte incompleto ou ao soltar o interruptor antes de a cabeça da serra estar completamente para baixo.** A ação de travagem da serra poderá fazer com que a cabeça da serra seja puxada subitamente para baixo, provocando risco de lesão.

#### LÂMINA DE CORTE PARA MADEIRA INSTRUÇÕES DE SEGURANÇA

Por favor, antes de utilizar a máquina e a lâmina da serra, leia cuidadosamente o manual de instruções.

A máquina deve estar em boas condições e o eixo não deve apresentar deformações nem vibrações.

Não utilize a serra sem que as proteções estejam no sítio. Mantenha as proteções em bom estado de funcionamento e devidamente conservadas.

Certifique-se de que o operador tem formação adequada relativamente aos cuidados de segurança, ao ajuste e à operação da máquina.

Quando utilizar a máquina, use sempre óculos de proteção e protetores auriculares. Recomenda-se que use luvas, calçado antiderrapante resistente e avental.

Antes de utilizar qualquer acessório, consulte o manual de instruções. A utilização indevida de um acessório pode provocar danos e aumentar a possibilidade de lesões.

Utilize apenas as lâminas especificadas neste manual, em conformidade com a EN 847-1.

Respeite a velocidade máxima inscrita na lâmina da serra. Certifique-se de que a velocidade inscrita na lâmina da serra é pelo menos igual à velocidade indicada na serra.

Utilize sempre lâminas de serrar com o tamanho correcto e com orifício de admissão de forma apropriada. Lâminas de serra que não servem para as peças de montagem da serra, não giram irregularmente e levam à perda do controlo.

Não utilize lâminas de diâmetro superior ou inferior ao recomendado. Não utilize espaçadores para ajustar a lâmina ao eixo.

Antes de cada utilização, verifique se as pontas da lâmina da serra têm danos ou aspeto anormal. Ao serem utilizadas, as pontas danificadas ou soltas podem converter-se em projéteis e aumentar a possibilidade de lesões pessoais.

Não utilizar lâminas de corte fissuradas ou deformadas. Não use folhas de serra danificadas ou deformadas.



Por



Se a lâmina da serra estiver danificada, deformada, distorcida ou rachada, descarte-a para sucata. A reparação não é permitida. Não utilize folhas de serra fabricadas de aço rápido.

Certifique-se de que a lâmina da serra é montada corretamente. Antes de a utilizar, aperte a porca do eixo com firmeza (aprox. 12 Nm de torque).

As porcas e parafusos de fixação devem ser apertados utilizando a chave adequada, etc.

Não é permitido alargar ou apertar a chave inglesa à martelada.

Certifique-se de que a lâmina e as flanges estão limpas e de que os lados rebaixados do colar ficam contra a lâmina.

Certifique-se de que a lâmina gira na direção certa.

Antes de começar a trabalhar, faça uma simulação de corte sem ter o motor ligado, a fim de poder verificar a posição da lâmina, a operacionalidade das proteções em relação às outras partes da máquina e a peça de trabalho.

Nunca deixe a máquina sem vigilância.

Não aplique lubrificantes na lâmina quando estiver em funcionamento.

Nunca faça nenhuma limpeza ou trabalhos de manutenção, enquanto a máquina ainda estiver a funcionar e enquanto a cabeça não estiver na posição de descanso.

Nunca tente parar rapidamente uma máquina em movimento encravando uma ferramenta ou outro objeto contra a lâmina. Desta forma, involuntariamente, poderão ser provocados acidentes graves.

Desligue a serra da tomada elétrica ou retire a bateria antes de trocar as lâminas ou efetuar a manutenção.

Preste atenção ao embalar e desembalar a lâmina. É fácil ser ferido pelas pontas afiadas da mesma.

Quando estiver a manusear uma lâmina de serra, utilize um porta-lâminas ou calce luvas.

Mantenha e guarde a lâmina na embalagem original ou noutra embalagem adequada, armazenando-a num espaço isento de humidade e afastado de produtos químicos que possam danificá-la.

## INSTRUÇÕES DE SEGURANÇA E TRABALHO SUPLEMENTARES

Fixe sempre a peça de trabalho com segurança e firmeza.

Assegure-se que a máquina sempre esteja numa posição segura (por exemplo fixação na bancada de trabalho)..

Sempre use a protecção dos ouvidos. Os ruídos podem causar surdez.

Durante os trabalhos com a máquina, usar sempre óculos de protecção. É recomendável calçar luvas para manusear as lâminas e o material em bruto, bem como calçado antiderrapante e resistente, que também protege os pés de peças que possam cair da área de corte.

Antes de proceder a ajustes, lubrificação ou fazer qualquer manutenção ao produto, certifique-se sempre de que a ficha foi removida da tomada de alimentação elétrica.

Ao ligar à rede, a máquina deve estar desligada.

A menos que a lâmina esteja completamente parada, nunca tente chegar à área perto da mesma.

Antes da utilização, verifique cuidadosamente a ferramenta relativamente a quaisquer danos ou desgaste do material. Deixe um especialista reparar as peças danificadas.

Nunca utilizar a máquina sem dispositivo de protecção. Se as proteções não estiverem no sítio e a funcionar corretamente, não utilize a máquina.

A protecção da lâmina inferior só deverá ser aberta quando se fizer descer a lâmina sobre a peça de trabalho, e terá sempre de poder movimentar-se livremente e fechar-se de forma automática..

Fixe e utilize sempre suportes de barra de extensão para suportar a peça de trabalho durante a operação.

Nunca altere nem modifique a serra ou a sua função. A sua segurança pode ficar comprometida.

Não utilize lâminas de serra que se encontrem rachadas, danificadas ou deformadas.

Não utilize folhas de serra fabricadas de aço rápido.

Utilize apenas lâminas afiadas. Substitua as lâminas cegas por novas.

Utilize sempre lâminas de serra com o tamanho correcto e com orifício de admissão de forma apropriada.

Lâminas de serra que não servem para as peças de montagem da serra, não giram irregularmente e levam à perda do controle.

Utilize apenas as lâminas para madeira especificadas neste manual, as quais se encontram em conformidade com a EN 847-1.

Não utilize flanges, anilhas e porcas para fixar a lâmina da serra além das fornecidas ou indicadas no manual de instruções.

Selecione uma folha de serra apropriada para o material a cortar. Nunca utilize o produto para cortar outros materiais além dos especificados na secção "utilização prevista" deste manual.

Ao cortar, é importante evitar o sobreaquecimento da lâmina e o derretimento da peça de trabalho de plástico.

Observe o número de rotações máximo, indicado na folha de serra. Utilize apenas lâminas de serra assinaladas como sendo próprias para velocidade igual ou superior à velocidade indicada na ferramenta.

Substitua o encaixe da mesa quando estiver gasto ou danificado.

Antes de começar a trabalhar, faça uma simulação de corte sem ter o motor ligado, a fim de poder verificar a posição da lâmina, a operacionalidade das proteções em relação às outras partes da máquina e a peça de trabalho.

Ao efetuar cortes em ângulo, em bisel ou em ângulo compostos, ajustar a barreira deslizante para assegurar a distância correta da lâmina.

Ao transportar o produto, o bloqueio do suporte tem de estar sempre ativado.

Mantenha o piso livre de resíduos de material, por exemplo aparas ou resíduos de serração.

Não remova os resíduos de serração e outras partes de materiais da área de serração quando a máquina estiver a operar e a cabeça de serra não estiver na posição de repouso.

Materiais compridos deverão ser suportados apropriadamente. A área de trabalho da serra inclui toda a extensão da peça de trabalho. O operador deverá proteger esta área, de forma a evitar o contacto acidental de outras pessoas ou objetos que possam deslocar a peça de trabalho durante o funcionamento.

A poeira gerada ao trabalhar com esta ferramenta pode ser perigosa para a saúde e por isso não deve atingir o corpo. Utilize um sistema de absorção de poeiras e use uma máscara de protecção. Retire completamente a poeira depositada, por exemplo com um aspirador.

Não substitua o LED ou laser por um tipo diferente. Todas as reparações deverão ser efetuadas pelo fabricante ou por um agente de serviço autorizado.



Um pico de corrente causa variações de voltagem e pode afectar outros aparelhos eléctricos na mesma linha eléctrica. Ligue o dispositivo à tomada eléctrica com uma impedância de 0,3 Ω para minimizar as flutuações de voltagem. Contacte o seu fornecedor de energia eléctrica para mais esclarecimentos.

### INSTRUÇÕES DE SEGURANÇA LASER

A radiação laser utilizada nesta serra é de Classe II, com um máximo de  $P \leq 1\text{mW}$  e  $\lambda: 650\text{nm}$  de comprimentos de onda. Não olhe directamente através de instrumentos óticos. O incumprimento das regras pode resultar em lesões pessoais graves.

Não olhe para o feixe durante a operação.

Não projete o raio laser directamente para os olhos dos outros. Poderão ocorrer ferimentos oculares graves.

Não coloque o laser numa posição que possa fazer com que alguém olhe directamente para o mesmo intencionalmente ou inadvertidamente.

Não utilize ferramentas óticas para visualizar o feixe de laser.

Não opere o laser perto de crianças nem permita que crianças operem o laser.

Não tente reparar o dispositivo de laser você mesmo.

Não tente trocar nenhuma peça do dispositivo de laser você mesmo.

Todas as reparações deverão ser efetuadas pelo fabricante ou por um agente de serviço autorizado.

Não substituir o laser montado por um laser de outro tipo.

### UTILIZAÇÃO AUTORIZADA

A serra de esquadria destina-se a serrar madeira sólida e aglomerada com ou sem folheado colado, plásticos e materiais semelhantes a madeira.

A serra de esquadria destina-se a ser utilizada apenas por operadores adultos, que tenham lido o manual de instruções e compreendido os riscos e perigos.

A serra de esquadria destina-se a ser fixada na base a um tampo de bancada maciço. Se a base não for fixada com firmeza, a máquina, na sua totalidade, poderá movimentar-se durante as operações de corte, o que aumenta a possibilidade de ocorrência de lesões graves.

A serra de esquadria foi concebida para fazer cortes em chanfradura e esquadria. As capacidades referentes aos vários cortes encontram-se nas especificações de produto do presente manual.

A serra de esquadria deve ser utilizada em condições isentas de humidade, com excelente iluminação ambiente e com ventilação adequada.

A serra de esquadria destina-se a ser utilizada pelo consumidor, só deve ser utilizada conforme se descreve acima e não se destina a nenhuma outra finalidade.

### RISCOS RESIDUAIS

Mesmo quando a serra de esquadria for utilizada conforme prescrito, ainda assim é impossível eliminar por completo certos fatores de risco residuais. Os perigos que passamos a descrever poderão surgir, pelo que o operador deverá manter-se especialmente atento no sentido de evitar o seguinte:

- Risco de contacto com as partes descobertas da lâmina da serra circular.
- Ricochete de peças ou partes de trabalho devido a manipulação ou ajuste inadequados.
- Projeção de pontas defeituosas de carboneto da lâmina da serra.
- Danos no sistema respiratório.

NOTA: Utilize máscaras de proteção respiratória contendo filtros adequados para os materiais nos quais estiver a trabalhar.

Certifique-se de que tem ventilação adequada no espaço de trabalho. Não coma, beba ou fume na área de trabalho.

Se não for utilizada proteção auditiva eficaz, poderão ocorrer danos de audição.

### ATENÇÃO

O pó proveniente de determinadas tintas, revestimentos e materiais pode provocar irritações ou reações alérgicas no sistema respiratório. O pó proveniente de certas madeiras, tais como carvalho, faia, MDF e outras, é cancerígeno. Os materiais com conteúdo de amianto só devem ser trabalhados ou processados exclusivamente por operadores especialistas qualificados.

### ATENÇÃO

A utilização prolongada de uma ferramenta pode provocar ou agravar lesões. Ao utilizar qualquer ferramenta por períodos prolongados, certifique-se de que faz pausas regulares.

### CONHEÇA O SEU PRODUTO

Consulte a página A.

- |  |   |
|--|---|
| 1. Pega, superfície de aderência com isolamento          | 15. Alavanca de bloqueio do ângulo de chanfro     |
| 2. Gatilho do interruptor                                | 16. Barreira deslizante                           |
| 3. Alavanca do bloqueio de segurança                     | 17. Suporte da peça de trabalho                   |
| 4. Flange externa  | 18. Barra de extensão                             |
| 5. Lâmina da serra                                       | 19. Orifícios de montagem x4                      |
| 6. Proteção inferior                                     | 20. Plataforma giratória                          |
| 7. Barreira fixa   | 21. Régua da serra circular                       |
| 8. Disco de corte  | 22. Parafuso de ajuste de ângulo do chanfro a 45° |
| 9. Pega de bloqueio do movimento da plataforma giratória | 23. Parafuso de ajuste de ângulo do chanfro a 90° |
| 10. Pega superior  | 24. Interruptor LED                               |
| 11. Proteção superior                                    | 25. Interruptor do laser                          |
| 12. Ligação de aspiração                                 | 26. Botão de bloqueio do eixo                     |
| 13. Botão de paragem da haste linear                     | 27. Placa de ajuste da profundidade do corte      |
| 14. Grampo   | 28. Botão de ajuste da profundidade do corte      |

### LISTA DE SUBSTITUIÇÃO

- PS 216 L: Serra de Esquadilhas EN 847-1/ ø216 x ø30 x 2,4 / 48T / HW / n no máx. 7000 min-1 (Página A: No. 5)
- PS 254 L: Serra de Esquadilhas EN 847-1/ ø254 x ø30 x 2,6 / 48T / HW / n no máx. 7400 min-1 (Página A: No. 5)
- KDisco de corte (Página A: No. 8)

## LIGAÇÃO À REDE

Só conectar à corrente alternada monofásica e só à tensão de rede indicada na placa de potência. A conexão às tomadas de rede sem contacto de segurança também é possível, pois trata-se duma construção da classe de protecção II.

Aparelhos não estacionários, utilizados ao ar livre, devem ser protegidos por um disjuntor de corrente de defeito (FI, RCD, PRCD).

Ao ligar à rede, a máquina deve estar desligada.

Manter sempre o cabo de ligação fora da zona de acção da máquina.

Antes de cada utilização inspecionar a máquina, o cabo de ligação a extensão e quanto a danos e desgaste. A máquina só deve ser reparada por um técnico especializado.

Um pico de corrente causa variações de voltagem e pode afectar outros aparelhos eléctricos na mesma linha eléctrica. Ligue o dispositivo à tomada eléctrica com uma impedância de 0,3  $\Omega$  para minimizar as flutuações de voltagem.

Contacte o seu fornecedor de energia eléctrica para mais esclarecimentos.

## MANUTENÇÃO

Não modifique esta serra de nenhuma forma nem utilize acessórios que não tiverem sido aprovados pelo fabricante. A sua segurança e a dos outros poderá ser comprometida.

Não utilize a serra se verificar que algum interruptor, protecção ou outra função da mesma não trabalha como deveria trabalhar. Devolva-a a um centro de assistência autorizado para ser submetida a reparação ou ajuste profissional.

Não faça nenhuns ajustes enquanto a lâmina estiver em movimento.

Antes de proceder a ajustes, lubrificação ou fazer qualquer manutenção ao produto, certifique-se sempre de que a ficha foi removida da tomada de alimentação eléctrica.

Antes e depois de cada utilização, inspecione a sua serra para detectar se existem danos ou peças partidas e mantenha-a em perfeito estado de funcionamento, substituindo as peças, imediatamente por peças de reposição aprovadas pelo fabricante.

Após a utilização, a lâmina fica muito quente. Utilize luvas ou deixe-a arrefecer antes de efetuar a manutenção ou limpeza.

Limpe o pó acumulado com uma escova ou um aspirador. Não utilize ar comprimido.

A fim de garantir a segurança e fiabilidade, todas as reparações, incluindo a substituição de escovas, deverão ser realizadas por um centro de serviços de assistência autorizado.

Limpe o aparelho e o dispositivo de protecção com um pano seco.

Manter desobstruídos os rasgos de ventilação na carcaça da máquina.

Se for necessário substituir o cabo de alimentação, a substituição terá de ser feita pelo fabricante ou pelo agente do mesmo, a fim de se evitar que ocorra algum risco de segurança.

Utilizar unicamente acessórios e peças sobressalentes da AEG. Sempre que a substituição de um componente não tenha sido descrita nas instruções, será de toda a conveniência mandar executar esse trabalho a um Serviço de Assistência AEG (veja o folheto Garantia/Endereços de Serviços de Assistência).

A pedido e mediante indicação da referência que consta da chapa de características da máquina, pode requerer-se um desenho explosivo da ferramenta eléctrica a: Techtronic Industries GmbH, Max-Eyth-Straße 10, 71364 Winnenden, Germany.

## DECLARAÇÃO DE CONFORMIDADE CE

Declaramos, sob a nossa inteira responsabilidade, que o produto descrito em «Dados Técnicos» cumpre todas as disposições relevantes das diretivas

2011/65/UE (RoHS)

2006/42/CE

2014/30/UE

tendo sido seguidas as seguintes normas harmonizadas

EN 62841-1:2015

EN 62841-3-9:2015+A11:2017

EN 55014-1:2017

EN 55014-2:2015

EN 61000-3-2:2014

EN 61000-3-11:2000

EN IEC 63000:2018



Winnenden, 2019-03-08

Alexander Krug / Managing Director  
Autorizado a reunir a documentação técnica.

Techtronic Industries GmbH  
Max-Eyth-Straße 10, 71364 Winnenden, Germany



## SYMBOLE



ATENÇÃO! PERIGO!



Antes de efectuar qualquer intervenção na máquina, tirar a ficha da tomada.



ATENÇÃO-A fim de reduzir o risco de lesão, o utilizador tem de ler o manual de instruções!



Usar sempre óculos de protecção ao trabalhar com a máquina.



Use protectores auriculares!



Use luvas de protecção!



Nunca coloque as mãos na área da folha de serra.



O aparelho destina-se unicamente a ser utilizado em trabalhos interiores; não exponha o aparelho à chuva.



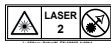
Porta de ligação de aspiração



Corte apenas madeira.



Não olhar para o raio laser



O produto corresponde à classe laser 2 segundo EN 60825-1:2014.



Ø de disco x Ø da furação



Sentido de rotação



Dentes da lâmina



Largura de corte

**n<sub>0</sub>**

Velocidade em vazio

**V**

Tensão



Corrente alternada



Ferramenta eléctrica da classe de protecção II. Ferramenta eléctrica, na qual a protecção contra choque eléctrico não só depende do isolamento básico, mas também da aplicação de medidas de protecção suplementares, como isolamento duplo ou reforçado.

Não há um dispositivo para a conexão dum condutor de protecção.



Aparelhos eléctricos não devem ser jogados no lixo doméstico. Aparelhos eléctricos e electrónicos devem ser colectados separadamente e entregues a uma empresa de reciclagem para a eliminação correcta. Solicite informações sobre empresas de reciclagem e postos de colecta de lixo das autoridades locais ou do seu vendedor autorizado.



Marca de Conformidade Europeia



Marca de Conformidade Ucrâniana



Marca de Conformidade Eurasiática



TECHNISCHE GEGEVENS Afkortzaagmachine *	PS 216 L	PS 254 L
Productienummer	4699 98 01 ... ... 000001-999999	4699 99 01 ... 4740 22 01 ... ... 000001-999999
Nominaal afgegeven vermogen	220-240 V, 50 HZ, 1400W, 6,5 A	220-240 V, 50 HZ, 1800W, 8,7 A
Onbelast toerental	5000 min <sup>-1</sup>	4500 min <sup>-1</sup>
Zaagblad ø x boring ø	216 x 30 mm	254 x 30 mm
Dikte de behuizing voor het zaagblad max.	1,6 mm	1,8 mm
Dikte van de zaagtanden min.	2,4 mm	2,6 mm
Knipvermogen max. Verstek 0°/ afschuining 0° Verstek 45°/ afschuining 0° Verstek 0°/ afschuining 45° Verstek 45°/ afschuining 45°	65 x 305 mm 65 x 215 mm 36 x 305 mm 36 x 215 mm	90 x 305 mm 90 x 215 mm 50 x 305 mm 50 x 215 mm
Gewicht volgens de EPTA-procedure 01/2014	16,7 kg	19,6 kg
<b>Geluidsinformatie</b> Meetwaarden vastgesteld volgens EN 62841. Het kenmerkende A-gewogen geluidsniveau van de machine bedraagt: Geluidsdruk niveau (Onzekerheid K=3dB(A)) Geluidsvermogen niveau (Onzekerheid K=3dB(A)) <b>Draag oorbeschermers!</b>	99,27 dB (A) 112,27 dB (A)	95,15 dB (A) 108,15 dB (A)

\*PS ≙ Afkortzaagmachine

## WAARSCHUWING!

De vermelde geluidsniveaus zijn gemeten in overeenstemming met een standaard testmethode conform EN 62841-1 en EN 62841-3-9 en kunnen worden gebruikt om gereedschap met elkaar te vergelijken. De vermelde geluidsniveaus kunnen ook worden gebruikt voor het vooraf evalueren van de blootstelling.

De geluidsniveaus tijdens het feitelijke gebruik van het elektrische gereedschap kunnen afwijken van de vermelde waarden, afhankelijk van het te bewerken werkstuk en de manier waarop de machine wordt gebruikt.

Stel veiligheidsmaatregelen op om de gebruiker te beschermen, gebaseerd op een inschatting van de belasting tijdens de daadwerkelijke gebruiksomstandigheden op. (Houd daarbij rekening met alle componenten van de gebruikscyclus, zoals tijden waarop het elektrisch gereedschap is uitgeschakeld en waarop het ingeschakeld, maar onbelast draait).

Draag oorbeschermers. Lawaai kan gehoorverlies veroorzaken.

**WAARSCHUWING** Lees en bekijk alle veiligheidsaanwijzingen, aanwijzingen, afbeeldingen en gegevens die u bij het apparaat ontvangt. Als u de volgende aanwijzingen niet in acht neemt, kunnen een elektrische schok, brand en/of ernstig letsel het gevolg zijn.

**Bewaar alle waarschuwingen en voorschriften voor toekomstig gebruik.**

## VEILIGHEIDSAANWIJZINGEN VOOR VERSTEKZAGEN

a) Verstekzagen zijn bestemd voor het zagen van hout of houtachtige producten. Zij kunnen niet worden gebruikt met slijpschijven voor het snijden in ijzerhoudende materialen zoals stangen, staven, tapbouten enz. Slijpstof en stof kan ertoe leiden dat bewegende delen zoals de onderste afscherming vast komen te zitten. Vonken door het werken met slijpschijven kunnen de onderste afscherming, het zaagsnede-element en andere plastic onderdelen verbranden.

b) Gebruik indien mogelijk klemmen om het werkstuk vast te zetten. Wanneer het werkstuk met de hand ondersteund wordt, moet u uw hand altijd aan beide zijden van het zaagblad op minimaal 100 mm afstand houden. Gebruik deze zaag niet om stukken te zagen die te klein zijn om veilig ingeklemd of vastgehouden te worden. Wanneer u met uw handen te dicht bij het zaagblad komt, neemt het risico op verwondingen door contact met de zaag toe.

c) Het werkstuk moet onbeweeglijk ingeklemd zijn of tegen de aanslag en de tafel vastgehouden worden. Beweeg het werkstuk niet naar het zaagblad toe en zaag op geen enkele manier "uit de vrije hand". Net vastgezette of bewegende werkstukken kunnen met hoge snelheid weggelingerd worden en letsel veroorzaken.

d) Duw de zaag door het werkstuk heen. Trek de zaag niet door het werkstuk heen. Om een zaagsnede te maken, tilt u de zaagkop omhoog en trekt u die boven het werkstuk zonder te zagen. Start de motor, druk de zaagkop omlaag en druk de zaag door het werkstuk. Zagen tijdens het naar voren trekken van de zaag leidt er waarschijnlijk toe dat het zaagblad op het werkstuk 'kliemt' en dat de zaagbladenheid met geweld in de richting van de gebruiker wordt geslingerd.



e) **Zat uw hand nooit dwars op de beoogde zaaglijn neer voor of achter het zaagblad.** Het 'kruiselingse' ondersteunen van het werkstuk, d.w.z. het werkstuk rechts van het zaagblad vasthouden met uw linkerhand of vice versa, is zeer gevaarlijk.

f) **Kom niet met uw hand(en) achter de afscherming tot op een afstand van minder dan 100 mm van beide zijden van het zaagblad om houtsnippers te verwijderen of om welke andere reden dan ook, terwijl het zaagblad nog draait.** De nabijheid van het draaiende zaagblad tot uw hand valt wellicht niet op en u kunt ernstig gewond raken.

g) **Inspecteer uw werkstuk alvorens te zagen. Wanneer het werkstuk verbogen of krom is, moet u het inklemmen met de buitenste ronding naar de aanslag. Zorg er altijd voor dat er in de lijn van de zaagsnede geen open ruimte / spleet is tussen het werkstuk, de aanslag en de tafel.** Verbogen of vervormde werkstukken kunnen zich draaien of verschuiven en kunnen het draaiende zaagblad laten vastlopen tijdens het zagen. Er mogen geen nagels of vreemde voorwerpen in het werkstuk zitten.

h) **Gebruik de zaag pas, wanneer alle gereedschappen, houtresten enz. - behalve het werkstuk - van de tafel verwijderd zijn.** Klein vuil, losse stukjes hout of andere voorwerpen die met het draaiende zaagblad in aanraking komen, kunnen met hoge snelheid worden weggeslingerd.

i) **Zaag slechts een werkstuk tegelijk.** Gestapelde werkstukken kunnen niet adequaat worden vastgezet of ondersteund en kunnen het blad laten vastlopen of de werkstukken kunnen bij het zagen verschuiven.

j) **Zorg ervoor dat de verstekzaag op een stevige, vlakke ondergrond staat, voordat u die in gebruik neemt.** Een vlak en stevig werkblad verlaagt het risico op een instabiele zaagmachine.

k) **Plan uw werk. Telkens wanneer u de instelling voor de afschuining of het verstek wijzigt, dient u zich ervan te verzekeren dat de instelbare aanslag correct ingesteld is, het werkstuk correct ondersteunt en niet in conflict komt met het zaagblad of de beveiligingen.** Zonder de machine "Aan" te zetten en zonder werkstuk op de tafel, beweegt u de zaag door een volledige gesimuleerde zaagbeweging om te controleren dat het zaagblad geen obstakels tegenkomt en niet in de aanslag snijdt.

l) **Zorg voor adequate ondersteuning zoals taferverlengingen, zaagbokken enz. voor een werkstuk dat breder of langer is dan het tafelblad.** Werkstukken die langer of breder zijn dan de verstekzaagtafel, kunnen kantelen, wanneer zij niet veilig ondersteund worden. Wanneer het afgezaagde stuk of het werkstuk kantelt, kan dit de onderste afscherming optillen of door het roterende blad worden weggeslingerd.

m) **Gebruik nooit iemand anders als vervanging voor een deugdelijke taferverlenging of als additionele ondersteuning.** Een instabiele ondersteuning voor het werkstuk kan ertoe leiden dat het zaagblad vastloopt of dat het werkstuk verschuift tijdens de zaagbewerking, waardoor u met de helper naar het zaagblad wordt getrokken.

n) **Het afgezaagde stuk mag niet op welke manier dan ook tegen het draaiende zaagblad worden gedrukt of gekneld.** Wanneer het afgezaagde stuk bijv. door stoppers in lengterichting wordt tegengehouden, kan het tegen het zaagblad worden gedrukt en met geweld weggeslingerd worden.

o) **Gebruik altijd een klem of een bevestiging die ontworpen is voor ondersteuning van ronde materialen zoals staven en buizen.** Staven hebben de neiging om tijdens het zagen te rollen waardoor het blad in het werkstuk "bijt" en het met uw hand naar het zaagblad trekt.

p) **Laat het zaagblad het volle toerental bereiken, voordat het contact met het werkstuk maakt.** Dit beperkt het risico dat het werkstuk wordt weggeslingerd.

q) **Wanneer het werkstuk of het zaagblad vastlopen, moet de verstekzaag worden uitgeschakeld. Wacht tot alle bewegende delen tot stilstand zijn gekomen en trek de stekker uit het stopcontact en/of verwijder het accupakket. Bevestig vervolgens het vastzittende materiaal.** Doorzagen bij een vastzittend werkstuk kan ertoe leiden dat u de controle verliest over de zaag of dat die beschadigd raakt.

r) **Na afronding van de zaagsnede laat u de schakelaar los, houdt u de zaagkop omlaag en wacht u tot het zaagblad stilstaat, voordat u het afgezaagde stuk verwijdert.** Het is gevaarlijk om met uw handen in de buurt van het uitlopende zaagblad te komen.

s) **Houd de handgreep stevig vast, wanneer u een onvolledige zaagsnede maakt of wanneer u de schakelaar loslaat, voordat de zaagkop helemaal in de onderste positie is gekomen.** De afremming van de zaag kan ertoe leiden dat de zaagkop plotseling naar beneden getrokken wordt en daardoor een risico op letsel oplevert.

#### HOUTSNIJZAAG VEILIGHEIDSADVIEZEN

Lees de handleiding en instructies zorgvuldig door voor u het zaagblad en de machine gebruikt.

De machine moet zich in een goede toestand bevinden, de spindel mag niet vervormd zijn of trillen.

Gebruik de zaag niet zonder dat de beschermkappen zijn geplaatst, zorg dat ze goed werken en correct zijn aangebracht.

Zorg dat de gebruiker correct is onderwezen in veiligheidsmaatregelen, aanpassingen en het bedienen van de machine.

Draag altijd een veiligheidsbril en gehoorbescherming tijdens het gebruik. Het wordt aangeraden handschoenen, stevige schoenen met antislipzolen en een short te dragen.

Lees altijd de instructiehandleiding voor toebehoren wordt gebruikt. Onjuist gebruik van toebehoren kan schade aanrichten en verhoogt het risico op letsel.

Gebruik alleen zaagbladen aangegeven in deze handleiding die voldoen aan EN 847-1.

Houd de maximale snelheid aan die op het zaagblad staat genoteerd. Zorg dat de op het zaagblad aangegeven snelheid overeenkomt met de snelheid op de zaag.

Gebruik altijd zaagbladen met de juiste maat en vorm van het opnameboorgat. Zaagbladen die niet bij de montagedelen van de zaagmachine passen, lopen niet rond en leiden tot het verliezen van de controle.

Gebruik geen zaagbladen met een grotere of kleinere diameter dan aanbevolen. Gebruik geen spreiders om het zaagblad op de spindel te laten passen.

Controleer de tanden van het zaagblad op schade of afwijkingen voor elk gebruik. Beschadigde of losse tanden kunnen weggeslingerd worden tijdens gebruik en verhogen het risico op persoonlijk letsel.



Gescheurde zaagbladen of welke van vorm veranderd zijn, mogen niet gebruikt worden. Gebruik geen zaagbladen die beschadigd of vervormd zijn.

Het zaagblad afvoeren als het beschadigd, vervormd, verdraaid of gescheurd is, repareren is niet toegestaan.

Gebruik geen zaagbladen van sneldraaistaal.

Controleer dat het zaagblad correct is aangebracht, draai de moer van de opspandoorn goed vast voor gebruik (aandraaimoment ca. 12 Nm).

Bevestigingsschroeven en -moeren moeten met de juiste sleutels worden vastgedraaid.

Het is niet toegestaan de spreider met een hamer strakker of lossler in te stellen.

Zorg dat het zaagblad en de flensen schoon zijn en de verzonken kanten van het halsstuk tegen het zaagblad ligt.

Controleer dat de bladen in de juiste richting draaien.

Voor begin van de werkzaamheden een proefsneede maken zonder dat de motor aanstaat, zodat de positie van het zaagblad, de bediening van de beschermkappen in combinatie met de machineonderdelen en het werkstuk kan worden gecontroleerd.

Laat de machine nooit onbeheerd achter.

Breng geen smeestoffen aan op de bladen terwijl de machine draait.

Voer nooit reinigings- of onderhoudswerkzaamheden uit als de machine nog draait en de kop niet in rustpositie is.

Probeer de draaiende machine nooit te stoppen door snel een stuk gereedschap of ander voorwerk tegen het zaagblad aan te drukken. Dit kan ernstige ongelukken tot gevolg hebben.

Koppel de zaag los van de stroomvoorziening of verwijder de accu voor de bladen worden vervangen of onderhoud wordt uitgevoerd.

Ben voorzichtig tijdens het verpakken en uitpakken van het blad, door de scherpe zaagtanden kan men snel gewond raken.

Gebruik een zaagbladhouder of draag handschoenen bij het hanteren van een zaagblad.

Bewaar het zaagblad in de originele verpakking of een andere passende verpakking, in droge omstandigheden en buiten bereik van chemicaliën die het blad kunnen beschadigen bewaren.

## VERDERE VEILIGHEIDS- EN WERKINSTRUCTIES

Het werkstuk altijd goed en veilig vastklemmen.

Waarborg dat de machine altijd veilig staat (bijv. op de werkbank bevestigen).

Draag oorbeschermers. Lawaai kan gehoorverlies veroorzaken.

Bij werkzaamheden met de machine dient u altijd een veiligheidsbril te dragen. Het wordt aangeraden handschoenen te dragen bij het hanteren van zaagblad en taai materiaal, net als stevige schoenen met antislipzolen om de voeten te beschermen tegen stukken die van het werkstuk afvallen.

Verwijder de stekker altijd uit het stopcontact voor u het product wijzigt, smeert of onderhoud uitvoert.

Machine alleen uitgeschakeld aan het net aansluiten.

Nooit in het deel in de buurt van het zaagblad grijpen, tenzij dit volledig tot stilstand is gekomen.

Controleer het gereedschap voor gebruik grondig op schade of materiaalmoetheid. Beschadigde onderdelen mogen alleen worden gerepareerd door een vakman.

Bescherming van de machine beslist gebruiken. Gebruik de machine niet als de beschermkappen ontbreken of niet goed werken.

De onderste beschermkap van het zaagblad mag alleen openen wanneer het zaagblad naar het werkstuk wordt geschoven en moet altijd vrij kunnen bewegen en automatisch kunnen sluiten.

Plaats en gebruik altijd verlengingen om het werkstuk tijdens het gebruik te ondersteunen.

De zaag of zijn functie nooit wijzigen of aanpassen. Uw veiligheid kan in het geding komen.

Gebruik geen zaagbladen die gescheurd, beschadigd of vervormd zijn.

Gebruik geen zaagbladen van sneldraaistaal.

Gebruik alleen scherpe zaagbladen. Vervang botte zaagbladen met nieuwe.

Gebruik altijd zaagbladen met de juiste maat en vorm van het opnameboorgat.

Zaagbladen die niet bij de montagegedelen van de zaagmachine passen, lopen niet rond en leiden tot het verliezen van de controle.

Gebruik alleen houtbewerkingsbladen aangegeven in deze handleiding die voldoen aan EN 847-1.

Om het zaagblad vast te zetten alleen de meegeleverde flensen, sluitringen en moeren gebruiken, of die in de instructiehandleiding staan beschreven.

Kies een geschikt zaagblad voor het te zagen materiaal. Gebruik het product alleen om materialen te zagen die in deze handleiding staan beschreven onder beoogd gebruik.

Zorg dat het zaagblad niet oververhit raakt en voorkom dat plastic werkstukken smelten bij het zagen.

Zorg dat het op het zaagblad aangegeven toerental niet wordt overschreden. Gebruik alleen zaagbladen met een toelaatbaar toerental dat minstens even hoog is als het maximale toerental dat het gereedschap is aangegeven.

Tafelinleg vervangen als deze is beschadigd of versleten.

Voor begin van de werkzaamheden een proefsneede maken zonder dat de motor aanstaat, zodat de positie van het zaagblad, de bediening van de beschermkappen in combinatie met de machineonderdelen en het werkstuk kan worden gecontroleerd.

Stel de verschuifbare geleider af bij het maken van een verstek, afschuining of samengesteld verstek om de juiste vrije spleet voor het zaagblad te garanderen.

De vergrendelbeugel moet altijd geplaatst zijn wanneer het product wordt getransporteerd.

Houd de vloer vrij van materiaalresten bijv. spaanders en zaagresten.

Verwijder geen zaagresten of andere delen van werkstukken uit het zaagbereik wanneer de machine in bedrijf is en de zaagkop niet in de ruststand staat.

Lange werkstukken moeten goed gesteund worden. Het werkbied van de zaag omvat de gehele lengte van het werkstuk. De gebruiker moet zorgen dat andere personen of objecten niet onbedoeld het werkbied kunnen betreden waardoor het werkstuk kan worden verschoven tijdens de werkzaamheden.

Stof die vrijkomt tijdens het werken vormt vaak een gevaar voor de gezondheid en mag niet met het lichaam in aanraking komen. Machines met stofafzuiging gebruiken en tevens geschikte stofmaskers dragen. Vrijgekomen stof grondig verwijderen resp. opzuigen.



Vervang de led of laser niet met een ander type. Reparaties mogen alleen door de fabrikant of een geautoriseerde servicemonteur worden uitgevoerd.

Een stroomstoot veroorzaakt stroomschommelingen die andere elektrische producten op dezelfde stroomtoevoer kunnen beïnvloeden. Verbind het product met een stroombron waarvan de impedantie gelijk is aan  $0,3 \Omega$  om de spanningschommelingen te minimaliseren. Neem contact op met uw energieleverancier voor meer informatie.

### VEILIGHEIDSAADVIEZEN LASER

De laserstraling die in deze zaag wordt gebruikt is een Klasse II met maximaal  $P \leq 1 \text{ mW}$   $\lambda$ : 650nm golflente. Niet direct in optische instrumenten kijken. Het niet-naleven van de instructies kan leiden tot ernstig persoonlijk letsel.

Tijdens de werking niet in de straal kijken.

De laserstraal niet direct op de ogen van anderen richten. Dit kan ernstig oogletsel veroorzaken.

Plaats de laser altijd zo dat personen er niet in kunnen kijken, opzettelijk of onopzettelijk.

Gebruik geen optische instrumenten om de laserstraal te bekijken.

Gebruik de laser niet in de buurt van kinderen en laat kinderen de straal niet bedienen.

Probeer het laserapparaat niet zelf te repareren.

Probeer geen onderdelen van het laserapparaat zelf te repareren.

Reparaties mogen alleen door de fabrikant of een geautoriseerde servicemonteur worden uitgevoerd.

Vervang de ingebouwde laser niet door een laser van een ander type.

### VOORGESCHREVEN GEBRUIK VAN HET SYSTEEM

De afkort-verstekzaag is bedoeld voor het zagen van massief en gelijmd hout met of zonder gelijmd fineer, plastic en op hout lijkende materialen.

De afkort-verstekzaag is alleen bedoeld voor gebruik door volwassenen die de instructiehandleiding hebben gelezen en de risico's en gevaren begrijpen.

De afkort-verstekzaag is ontworpen om te worden bevestigd op een stevige werktafel. Als de basis niet goed is vastgezet, kan de hele machine tijdens het zagen beweging, dit kan tot ernstig persoonlijk letsel leiden.

De afkort-verstekzaag is ontworpen voor schuine en versteksneden. De capaciteiten voor de verschillende sneden staan gegeven in de productspecificaties in deze handleiding.

De afkort-verstekzaag moet in droge omstandigheden worden gebruikt bij uitstekende verlichting en voldoende ventilatie.

De afkort-verstekzaag is bedoeld voor consumentengebruik en mag alleen als hierboven beschreven worden gebruikt. Hij is niet voor een andere inzet bedoeld.

### RESTERENDE GEVAREN

Zelfs als de aftrek-verstekzaag wordt gebruikt als bedoeld, zijn eventuele restrisico's niet uitgesloten. De volgende gevaren kunnen zich voordoen en de gebruik moet de volgende gevaren vermijden:

- Risico op het aanraken van onbedekte delen van het draaiende zaagblad.
- Terugschlag van werkstukken of delen van werkstukken door onjuiste aanpassing of hantering.
- Wegschieten van defecte hardmetalen tanden van het zaagblad.
- Schade aan het ademhalingsorgaan.

**OPMERKING:** Draag een mondkap met filters passend bij het materiaal waaraan wordt gewerkt.

Zorg voor voldoende ventilatie op de werkplek. Niet eten, drinken of roken op de werkplek.

Beschadiging aan het gehoor indien geen adequate gehoorbescherming wordt gedragen.

### WAARSCHUWING

Stof van bepaalde verven, coatings en materialen kan leiden tot irritatie of allergische reacties van de luchtwegen. Stof van hout zoals eiken, berken, MDF en andere soorten zijn kankerverwekkend. Materialen die asbest bevatten mogen alleen worden bewerkt door gespecialiseerde krachten.

### WAARSCHUWING

Langdurig gebruik van een apparaat kan leiden tot letsel of dit verergeren. Neem regelmatig een pauze wanneer u achter elkaar een apparaat langere tijd gebruikt.

### MAAK U VERTROUWD MET UW PRODUCT

Zie pagina A.

- |                                    |                                       |
|------------------------------------|---------------------------------------|
| 1. Handgreep, geïsoleerd greepvlak | 15. Vergrendeling voor hoekinstelling |
| 2. AAN/UIT-schakelaar              | 16. Verschuifbare aanslag             |
| 3. Veiligheidsvergrendeling        | 17. Werkstukhouder                    |
| 4. Buitenste flens                 | 18. Verlenging                        |
| 5. Zaagblad                        | 19. Bevestigingsgaten x4              |
| 6. Onderste beschermkap            | 20. Draaitafel                        |
| 7. Hoofdaanslag                    | 21. Verstekzaagschaal                 |
| 8. Inlegplaat                      | 22. Instelschroef voor hoek van 45°   |
| 9. Vergrendelgreep draaitafel      | 23. Instelschroef voor hoek van 90°   |
| 10. Bovenste handgreep             | 24. Ledschakelaar                     |
| 11. Bovenste beschermkap           | 25. Laserschakelaar                   |
| 12. Stofvangervang                 | 26. Spindelvergrendeling              |
| 13. Borgschroef schuifunctie       | 27. Instelplaat voor zaagdiepte       |
| 14. Klem                           | 28. Instelknop voor zaagdiepte        |

### LIJST MET RESERVEONDERDELEN

- PS 216 L: Afkortzaagmachine EN 847-1/  $\varnothing 216 \times \varnothing 30 \times 2,4 / 48T / HW / n \text{ max. } 7000 \text{ min}^{-1}$  (Pagina A: No. 5)
- PS 254 L: Afkortzaagmachine EN 847-1/  $\varnothing 254 \times \varnothing 30 \times 2,6 / 48T / HW / n \text{ max. } 7400 \text{ min}^{-1}$  (Pagina A: No. 5)
- KInlegplaat (Pagina A: No. 8)



## NETAANSLUITING

Uitsluitend op éénfase-wisselstroom en uitsluitend op de op het typeplaatje aangegeven netspanning aansluiten. Aansluiting is ook mogelijk op een stekerdoos zonder aardcontact mogelijk, omdat het is ontworpen volgens veiligheidsklasse II.

Verplaatsbaar gereedschap moet bij het gebruik buiten aan een aardlekschakelaar (FI,RCD,PRCD) aangesloten worden.

Machine alleen uitgeschakeld aan het net aansluiten.

Snoer altijd buiten werkbereik van de machine houden.

Voor alle ombouw- of onderhoudswerkzaamheden, de stekker uit de wandkontaktdoos nemen.

Een stroomstoot veroorzaakt stroomschommelingen die andere elektrische producten op dezelfde stroomtoevoer kunnen beïnvloeden. Verbind het product met een stroombron waarvan de impedantie gelijk is aan 0,3  $\Omega$  om de spanningsschommelingen te minimaliseren.

Neem contact op met uw energieleverancier voor meer informatie.

## ONDERHOUD

Deze zaag niet aanpassen of toebehoren gebruiken die niet door de fabrikant zijn goedgekeurd. Uw veiligheid en die van anderen kan in het geding komen.

Gebruik de zaag niet als schakelaars, beschermkappen of andere functies aan deze zaag niet naar behoren werken. Breng de zaag naar een geautoriseerde werkplaats voor professionele reparatie of aanpassing.

Geen aanpassingen aan het zaagblad uitvoeren terwijl het draait.

Verwijder de stekker altijd uit het stopcontact voor u het product wijzigt, smeert of onderhoud uitvoert.

Controleer voor en na gebruik de zaag op beschadiging of gebroken onderdelen, om hem in uitstekende conditie te houden deze onderdelen direct vervangen met door de fabrikant goedgekeurde reserveonderdelen.

Na gebruik is het zaagblad erg warm, draag handschoenen of laat het afkoelen voor onderhoud of reiniging.

Met een borstel of stofzuiger opgehoopt stof verwijderen. Gebruik geen perslucht.

Voor veiligheid en betrouwbaarheid moeten alle reparaties, ook het vervangen van borstels, worden uitgevoerd door een geautoriseerde werkplaats.

Reinig het apparaat en de veiligheidsinrichting met een droge doek.

Altijd de luchtspleten van de machine schoonhouden.

Als het netsnoer moet worden vervangen, moet dit door de fabrikant of de vertegenwoordiger worden gedaan om veiligheidsrisico's te voorkomen.

Alleen AEG toebehoren en onderdelen gebruiken. Onderdelen welke niet vermeld worden, kunnen het beste door de AEG service-dienst verwisseld worden (zie Serviceadressen).

Onder vermelding van het nummer op het machineplaatje is desgewenst een doorsnedetekening van de machine verkrijgbaar bij: Techtronic Industries GmbH, Max-Eyth-Straße 10, 71364 Winnenden, Germany.

## EC - VERKLARING VAN OVEREENSTEMMING

We verklaren geheel onder eigen verantwoordelijkheid dat het product in de "Technische data" voldoet aan alle relevante bepalingen van de richtlijnen

2011/65/EU (RoHS)

2006/42/EG

2014/30/EU

en de volgende geharmoniseerde normen zijn gebruikt.

EN 62841-1:2015

EN 62841-3-9:2015+A11:2017

EN 55014-1:2017

EN 55014-2:2015

EN 61000-3-2:2014

EN 61000-3-11:2000

EN IEC 63000:2018



Winnenden, 2019-03-08

Alexander Krug / Managing Director  
Gemachtigd voor samenstelling van de technische documenten

Techtronic Industries GmbH  
Max-Eyth-Straße 10, 71364 Winnenden, Germany



## SYMBOLEN



OPGELET! WAARSCHUWING! GEVAAR!



Voor alle werkzaamheden aan de machine de stekker uit de kontaktdoos trekken.



WAARSCHUWING- Om het risico op verwondingen te beperken, dient de gebruiker de handleiding te lezen!



Bij het werken met de machine altijd een veiligheidsbril dragen.



Draag oorbeschermers!



Draag veiligheidshandschoenen!



Houd de handen altijd buiten het bereik van het zaagblad.



Het apparaat is alléén geschikt voor toepassing in ruimtes, apparaat niet aan regen blootstellen.



Stofvanger verbindingspoot



Zaak alleen hout.



Niet in de laserstraal kijken



Het product stemt overeen met laserklasse 2 volgens EN 60825-1:2014.



Zaagblad  $\varnothing$  x boring  $\varnothing$



Draairichting



Zaagtand



Breedte van de snede

**n<sub>0</sub>** Onbelast toerental

**V** Spanning



Wisselstroom



Elektrisch gereedschap van de beschermingsklasse II. Elektrisch gereedschap waarbij de bescherming tegen elektrische schokken niet afhankelijk is van de basisisolatie, maar waarin ook extra veiligheidsmaatregelen worden toegepast zoals dubbele of versterkte isolatie.

Er is geen voorziening voor de aansluiting van een aardleiding.



Elektrische apparaten mogen niet via het huisafval worden afgevoerd. Elektrische en elektronische apparaten moeten gescheiden worden verzameld en voor een milieuvriendelijke afvoer worden afgegeven bij een recyclingbedrijf. Informeer bij uw gemeente of bij uw vakhandelaar naar recyclingbedrijven en inzamelpunten.



Europees symbool van overeenstemming



Oekraïens symbool van overeenstemming



Euro-Aziatisch symbool van overeenstemming



TEKNISKE DATA Kap-/geringssav *	PS 216 L	PS 254 L
Produktionsnummer	4699 98 01 ... ... 000001-999999	4699 99 01 ... 4740 22 01 ... ... 000001-999999
Nominel optagen effekt	220-240 V, 50 HZ, 1400W, 6,5 A	220-240 V, 50 HZ, 1800W, 8,7 A
Omdrejningstal, ubelastet	5000 min <sup>-1</sup>	4500 min <sup>-1</sup>
Savklinge-ø x hul-ø	216 x 30 mm	254 x 30 mm
Savklinge tykkelse af enhed maks.	1,6 mm	1,8 mm
Savklinge tykkelse af tænder min.	2,4 mm	2,6 mm
Klippekapacitet maks. gering 0° / hældning 0° gering 45° / hældning 0° gering 0° / hældning 45° gering 45° / hældning 45°	65 x 305 mm 65 x 215 mm 36 x 305 mm 36 x 215 mm	90 x 305 mm 90 x 215 mm 50 x 305 mm 50 x 215 mm
Vægt svarer til EPTA-procedure 01/2014	16,7 kg	19,6 kg
<b>Støjinformation</b> Måleværdier beregnes iht. EN 62841. Værktøjets A-vurderede støjniveau er typisk: Lydrykniveau (Usikkerhed K=3dB(A)) Lydeffekt niveau (Usikkerhed K=3dB(A)) <b>Brug høreværn!</b>	99,27 dB (A) 112,27 dB (A)	95,15 dB (A) 108,15 dB (A)

\*PS ≙ Kap-/geringssav

### ADVARSEL!

De(n) erklærede støjmissionsværdi(er) er målt i overensstemmelse med en standard testmetode fra EN 62841-1 og EN 62841-3-9 og kan bruges til at sammenligne ét værktøj med et andet. De(n) erklærede støjmissionsværdi(er) kan også bruges til en foreløbig bedømmelse af afsponeringen.

Støjmissionerne under den faktiske brug af el-værktøjet kan afvige fra de erklærede værdier, afhængigt af måderne, som værktøjet bruges på, herunder specielt typen af arbejdsområde, som der arbejdes med.

Identificer sikkerhedsforanstaltninger til at beskytte operatøren, som bygger på en vurdering af eksponering under de faktiske brugsbetingelser (idet der tages hensyn til alle dele af driftscyklussen, som fx de tidspunkter hvor værktøjet er slukket og når det går i tomgang udover udløsningsstiden).

Bær høreværn. Støjen kan føre til nedsat hørelse.

**ADVARSEL** Læs alle sikkerhedsanvisninger, anvisninger, instruktioner og data, der følger med enheden. Overholder du ikke følgende instruktioner, kan du få elektrisk stød, der kan opstå brand og/eller du kan blive kvæstet alvorligt.

**Opbevar alle advarselshenvisninger og instrukser til senere brug.**

### SIKKERHEDSANVISNINGER FOR GERINGSSE

**a) Geringssave er beregnet til at skære i træ- eller træliggende produkter. De må ikke benyttes med skæreskiver til skæring i jernholdige materialer, såsom stænger, stave, stolper osv. Støv fra slibepulver kan få bevægelige dele, såsom den nederste afskærmning, til at blokere. Gnister fra slibende skæring vil brænde den nederste afskærmning, savsnitindsatsen og andre plastikdele.**

**b) Brug skruetvinger til at støtte arbejdsområdet, når det er muligt. Hvis du støtter arbejdsområdet med hånden, skal du altid holde din hånd mindst 100 mm fra begge sider af savklingen. Brug ikke denne sav til at skære stykker, der er for små til at blive forsvarligt fastspændt eller holdt i hånden.**

Hvis din hånd placeres for tæt på savklingen, er der øget risiko for skader fra berøring af klingen.

**c) Arbejdsområdet skal være faststående og fastgjort eller holdt imod både værnet og bordet. Indfør ikke arbejdsområdet til klingen, og skær ikke med "fri hånd" på nogen som helst måde. Ikke fastspændte eller bevægelige arbejdsområder kan blive kastet ud med stor hastighed, hvilket kan forvolde skader.**

**d) Skub saven igennem arbejdsområdet. Træk ikke saven igennem arbejdsområdet. Hæv savhovedet, når der skal laves en skæring, og træk det over arbejdsområdet uden at skære. Start motoren, tryk savhovedet ned, og skub saven igennem arbejdsområdet. Hvis der skæres ved at trække saven, kan det medføre, at savklingen klatrer oven på arbejdsområdet og kaster klingesamlingen ud mod operatøren med stor voldsomhed.**



e) **Kryds aldrig din hånd over den tilsigtede skæringslinje, hverken foran eller bag på savklingen.** Det er meget farligt at støtte arbejdsemnet med "krydsede hænder", dvs. holde arbejdsemnet på højre side af savklingen med venstre hånd eller vice versa.

f) **Hvis der skal rækkes ind bag værnet med nogen af hænderne for at fjerne træstumper eller af nogen anden grund, mens klingens drejer rundt, skal der være mindst 100 mm's afstand på begge sider af savklingen.** Den drejende savklinge i nærheden af din hånd ses måske ikke tydeligt, og du kan komme alvorligt til skade.

g) **Kontrollér dit arbejdsemne inden skæring. Hvis arbejdsemnet er bøjet eller skævt, skal det fastgøres med den udvendige side mod værnet. Vær altid sikker på, at der ikke er noget mellemrum mellem arbejdsemnet, værnet og bordet langs skæringslinjen.** Bøjede eller skæve arbejdsemner kan dreje eller forskyde sig og kan medføre binding til den drejende savklinge under skæring. Der må ikke være nogen søm eller fremmedlegemer i arbejdsemnet.

h) **Brug ikke saven, før bordet er ryddet for alle værktøjer, træstumper osv. undtagen arbejdsemnet.** Små rester eller løse stykker træ eller andre genstande, der berører den drejende klinge, kan blive kastet ud med stor hastighed.

i) **Skær kun et arbejdsemne ad gangen.** Flere stablede arbejdsemner kan ikke fastgøres eller støttes ordentligt og kan binde på klingens eller forskyde sig under skæring.

j) **Sørg for, at geringsraven er monteret eller anbragt på en plan, fast arbejdsflade inden brug.** En plan og fast arbejdsflade reducerer risikoen, for at geringsraven bliver ustabil.

k) **Planlæg dit arbejde. Hver gang du ændrer indstillingen af slipe- eller geringsvinklen, skal du sørge for, at det justerbare værtn er indstillet korrekt til at støtte arbejdsemnet og ikke vil forstyrre med klingens og afskærmnings-systemet.** Bevæg savklingen igennem en komplet, simuleret skæring uden at tænde for værktøjet og uden nogen arbejdsemner på bordet, for at sikre, at der ikke er nogen forstyrrelse eller fare for at skære værnet.

l) **Sørg for passende støtte som bordforlængere, savbukke osv., hvis et arbejdsemne er bredere eller længere end bordpladen.** Arbejdsemner, der er længere eller bredere end geringsraven, kan vælte, hvis de ikke er forsvarligt understøttet. Hvis det afskårne stykke eller arbejdsemnets vælter, kan det løfte den nederste afskærmning eller blive kastet ud af den drejende klinge.

m) **Brug ikke en anden person som erstatning for en bordforlænger eller som ekstra støtte.** Ustabil understøttelse af arbejdsemnet kan medføre, at klingens binder, eller at arbejdsemnet forskyder sig under skæringen, og derved trækker dig og hjælperen ind til den drejende klinge.

n) **Det afskårne stykke må på ingen måde blive blokeret eller presset mod den drejende savklinge.** Hvis det afskårne stykke begrænses, dvs. ved brug af længdestop, kan det blive klemt ind mod klingens og kastet ud med voldsomhed.

o) **Brug altid en skruetvinge eller et opsændingsværktøj beregnet til korrekt understøttelse af runde materialer, såsom stænger eller rør.** Stænger har en tendens til at rulle, mens de skæres, hvilket får klingens til at "bide" og trække arbejdsemnet med din hånd ind i klingens.

p) **Lad klingens nå fuld hastighed, inden den rører ved arbejdsemnet.** Dette vil nedbringe risikoen, for at arbejdsemnet bliver kastet ud.

q) **Sluk for geringsraven, hvis arbejdsemnet eller klingens bliver blokeret. Vent til alle bevægende dele stopper, og frakobl stikket fra strømforsyningen, og/eller tag batteripakken ud. Arbejd dernæst på at løse det blokerede arbejdsemne.** Forsat savning med et blokeret arbejdsemne kan føre til tab af kontrol over eller skade på geringsraven.

r) **Frigør afbryderen, når skæringen er færdig. Hold savhovedet nedad, og vent til klingens standser, inden det afskårne stykke fjernes.** Det er farligt at række din hånd ind i nærheden af den frit kørende klinge.

s) **Hold godt fast om håndtaget, når der laves en ukomplet skæring, eller når afbryderen frigøres, inden savhovedet er helt i nede-position.** Savens bremsning kan gøre, at savhovedet pludseligt bliver trukket nedad, hvilket skaber risiko for skader.

#### KLINGE TIL SKÆRING AF TRÆ SIKKERHEDSHENVISNINGER

Læs venligst manual og instruktioner omhyggeligt før brug af savklinge og maskine.

Maskinen skal være i god stand, og spindlen må ikke være ude af facon eller vibrere.

Brug ikke saven uden at beskyttelsesskærmene er på plads, hold skærmene i god stand og vedligehold dem korrekt.

Sørg for, at operatøren er tilstrækkeligt uddannet i sikkerhedsforanstaltninger, justering og drift af maskinen.

Bær altid beskyttelsesbriller og høreværn, når du bruger maskinen. Det anbefales at bære handsker, solide skridsikre sko og forklæde.

Konsulter instruktionsbogen før du bruger nogen former for tilbehør til maskinen. Forkert anvendelse af tilbehør kan beskadige værktøjet og øge risikoen for legemlig eller materiel skade.

Brug kun klinger der er angivet i denne manual, og lever op til EN 847-1.

Overhold den maksimale hastighed, der er angivet på savklingen. Sørg for, at den hastighed, der er angivet på savklingen som minimum er lig den hastighed, der er angivet på saven.

Anvend altid en savklinge i den rigtige størrelse og med det passende spændehul. Savklinger, der ikke passer til monteringsdele på saven, vil køre ujævnt og kan nemt få maskinen til at gå ud af kontrol.

Brug ikke klinger hvis diameter er større eller mindre end det anbefalede. Brug ikke afstandsstykker for at få klingens til at passe til spindlen.

Kontroller takkerne på savklingen for beskadigelse eller unormalt udseende før hver brug. Beskadigede eller løse savtakker kan blive sendt flyvende igennem luften under brug og øge risikoen for personskade.

Ridsede savklinger eller sådanne, som har ændret form, må ikke bruges. Benyt ikke savblade, der er beskadiget eller deformet.

Skrot savklingen hvis den er beskadiget, deformet, vredet ud af facon eller revnet. Reparation af savklinger er ikke tilladt.

Brug ikke savklinger, som er fremstillet af high-speed stål.



Sørg for, at savklingen er korrekt monteret. Spænd fastgørelsesmøtrikken grundigt for brug (drejningsmoment ved stramning ca. 12 Nm).

Fastgørelsesbolt og -møtrikker skal strammes med en passende nøgle m.v.

Udvidelse af en nøgle eller stramning ved hjælp af hammerslag er ikke tilladt.

Sørg for at klinge og flanger er rene, og at de forsænkede sider af kraven vender mod klingen.

Kontroller, at klingen roterer i den rigtige retning.

For arbejdet indledes foretages en prøveskæring, uden at motoren tændes, således at klingens position, beskyttelseskærmens bevægelse i forhold til andre maskindele og emnet kan kontrolleres.

Efterlad aldrig maskinen uden opsyn.

Smøremidler må ikke tilføres klingen, når den kører.

Udfør aldrig rengøring eller vedligeholdelsesarbejde, mens maskinen stadig kører, og hovedet ikke er i hvileposition.

Forsøg aldrig at stoppe en maskine i bevægelse ekstra hurtigt ved at presse et værktøj eller andet mod klingen. Alvorlige, utilsigtede ulykker kan opstå på denne måde.

Fjern saven fra stikkontakten eller fjern batteriet før udskiftning af klinger eller vedligeholdelse.

Vær opmærksom på klingen under nedpakning og udpakning. Man kan let skære sig på de skarpe savtakker.

Brug en klingeholder eller handsker, når du håndterer en savklinge.

Opbevar og gem klingen i den originale emballage eller anden, passende indpakning. Opbevar den tørt og væk fra kemikalier, der kan beskadige klingen.

## YDERLIGERE SIKKERHEDS- OG ARBEJDSINFORMATIONER

Fastspænd altid emnet grundigt og sikkert.

Sørg for, at maskinen altid står stabilt (fastgør den f.eks. på arbejdsbænken)..

Bær høreværn. Støjen kan føre til nedsat hørelse.

Bær altid sikkerhedsbriller, når du arbejder med maskinen. Det anbefales at bære handsker egnet til håndtering af knive og grove materialer, samt robuste, skridsikre sko, der beskytter fødderne fra emner, der kan falde fra skæreområdet.

Sørg altid for, at stikket er blevet fjernet fra strømkilden inden du foretager justeringer, smører eller vedligeholder produktet.

Maskinen sluttes kun udkoblet til stikdåsen.

Ræk aldrig ind i området nær klingen, medmindre klingen er stoppet og står helt stille.

Kontroller grundigt værktøjet for skader eller materialetræthed inden brug. Få beskadigede dele repareret af en fagmand.

Maskinens sikkerhedsindretning bør ubetinget benyttes. Brug ikke maskinen, hvis beskyttelseskærmene ikke er på plads eller fungerer korrekt.

Den nedre klingskærm bør kun åbne, hvis klingen sænkes ned til arbejdsområdet, og den skal altid være i stand til at bevæge sig frit og lukke automatisk..

Brug og fastgør altid forlængerstangholderen til at støtte arbejdsområdet under brug.

Modificér aldrig saven eller dens funktion. Dette kan udsætte dig for fare.

Brug ikke savklinger, der er revnede, beskadigede eller deforme.

Brug ikke savklinger, som er fremstillet af high-speed stål.

Brug kun skarpe savklinger. Erstat sløve klinger med nye.

Anvend altid en savklinge i den rigtige størrelse og med det passende spændehul.

Savklinger, der ikke passer til monteringsdele på saven, vil køre ujævnt og kan nemt få maskinen til at gå ud af kontrol.

Til træbearbejdning må kun anvendes klinger angivet i denne vejledning, som lever op til EN 847-1.

Brug ikke andre flanger, skiver eller møtrikker til sikring af savklingen end dem, der medfølger eller er angivet i instruktionsbogen.

Vælg en savklinge, som passer til det emne, der skal skæres over. Brug aldrig produktet til at skære materialer, der ikke er specificeret i afsnittet anvendelsesformål i denne manual.

Det er vigtigt at undgå at overophede klingen og smelte arbejdsområdet af plast, når der skæres.

Det maksimale omdrejningstal, som står angivet på savklingen, må ikke overskrides. Brug udelukkende savklinger, som er markeret med en hastighed, der svarer til eller er højere end den hastighed, som står på værktøjet.

Erstat bordindsatsen, når denne er slidt eller beskadiget.

For arbejdet udføres, gennemføres en prøveskæring uden at motoren tændes, så klingens position, beskyttelseskærmens bevægelse i forhold til andre maskindele og emnet der arbejdes på, kan kontrolleres.

Når der udføres koniske skæringer, skæringer i gering eller i blandet gering, tilpas glidehæftet for at sikre den korrekte afstand til bladet.

Beslagstoppet skal altid være aktiveret, når produktet transporteres.

Hold bunden fri for materialerester f.eks. spåner og rester fra savningen.

Fjern ikke træaffald eller andre dele af arbejdsområdet fra saveområdet, når maskinen kører og savhovedet ikke er i hvilestilling.

Lange emner skal støttes af på passende måde. Savens arbejdsområde omfatter hele arbejdsområdet. Brugeren bør sikre dette område mod at der opstår kontakt ved et uheld gennem andre personer eller genstande, som evt. kan flytte arbejdsområdet under brug.

Støv, som opstår i forbindelse med fræsearbejdet, er ofte sundhedskadeligt og må ikke trænge ind i kroppen. Brug en støvsuger og bær egnet støvbeskyttelsesmaske. Fjern grundigt aflejet støv (f.eks. ved opugning).

Undlad at erstatte LED eller laser med en anden type. Reparationer må kun foretages af producenten eller en autoriseret reparatør.

En strømspids forårsager spændingssvingninger og kan påvirke andre elektriske produkter tilsluttet samme strømforsyningslinje. Produktet skal sluttes til en strømforsyning med en impedans svarende til 0,3 Ω for at minimere spændingssvingninger. Kontakt dit elseskab for nærmere oplysninger.



## SIKKERHEDSHENVISNINGER LASER

Laserstrålen i denne sav er Klasse II med maksimalt  $P \leq 1\text{mW}$  og  $\lambda: 650\text{nm}$  bølglængder. Må ikke betragtes direkte gennem optiske instrumenter. Manglende overholdelse af reglerne kan resultere i alvorlig personskade.

Se ikke ind i strålen under drift.

Ret ikke laserstrålen direkte ind i andres øjne. Dette kan føre til alvorlige øjenskader.

Placer ikke laseren på en måde der kan resultere i, at man kan komme til at se direkte ind i den - forsægtigt eller uforsægtigt.

Se ikke på laserstrålen gennem optiske instrumenter.

Brug ikke laseren nær børn, og tillad ikke børn at bruge den.

Forsøg ikke at reparere laseren selv.

Forsøg ikke at skifte eller ændre dele af laseren selv.

Reparationer må kun foretages af producenten eller en autoriseret reparatør.

Erstat ikke den indbyggede laser med en laser af en anden type.

## TILTÆNKT FORMÅL

Kap-/geringssaven er beregnet til savning i massivt træ og træbeton med eller uden limet finér, plastic og træliggende materialer.

Kap-/geringssaven er beregnet til at blive anvendt af voksne, der har læst brugsanvisningen og forstår de risici og farer, der er forbundet med brug af saven.

Kap-/geringssaven er designet til at være fæstnet til en solid arbejdsbænk i bunden. Hvis savens bund ikke er forsvarligt fæstnet, kan hele maskinen rykke sig under skæring, hvilket øger risikoen for alvorlig personskade.

Kap-/geringssaven er designet til at udføre facetter og geringer. Mulighederne for forskellige udskæringer oplyses under produkt-specifikationer i denne manual.

Kap-/geringssaven er til brug under tørre forhold med godt arbejdslys og tilstrækkelig ventilation.

Kap-/geringssaven er målrettet privat brug, og bør kun anvendes som beskrevet ovenfor og ikke til andre formål.

## RESTRISICI

Selv når kap-/geringssaven anvendes som foreskrevet, kan visse risikofaktorer ikke helt afskrives. De følgende farer kan opstå, og operatøren skal være særligt opmærksom på at undgå følgende:

- Risiko for kontakt med afdækkede dele af den roterende savklinge.
- Kick-back fra elementer der saves i, eller dele heraf, som følge af forkert justering eller håndtering.
- Flyvende, defekte stål-savtakker fra klingene.
- Skader på luftvejene.

BEMÆRK: Bær åndedrætsværn med filtre egnet til de materialer, der arbejdes med.

Sørg for tilstrækkelig ventilation af arbejdsområdet. Spis, drik og ryg ikke i arbejdsområdet.

Høreskader, hvis der ikke bæres effektive hørevarer.

## ADVARSEL

Støv fra visse malinger, belægninger og materialer kan evt. forårsage irritation eller allergiske reaktioner ift. åndedrætssystemet. Støv fra træ som eg, bøg, MDF m.fl. er kræftfremkaldende. Asbestholdigt materiale bør udelukkende bearbejdes eller håndteres af kvalificerede specialister.

## ADVARSEL

Skader kan forårsages, eller forværres af forlænget brug af et værktøj. Når et værktøj bruges længere end tilsigtet, så hold jævnlige pauser.

## LÆR DIT PRODUKT AT KENDE

Se side A.

1. Håndtag, isoleret gribeflade
2. Udløserkontakt
3. Sikkerheds-låsehåndtag
4. Ydre flange
5. Savklinge
6. Nedre skærm
7. Fast panel
8. Savsnittet plade
9. Låsehåndtag til drejebord
10. Håndtag øverst
11. Øverste skærm
12. Støvsærm
13. Lige stang stopknop
14. Klemme
15. Hældningsvinkel-låsehåndtag
16. Forskydeligt panel
17. Arbejdsneholder
18. Forlængerstang
19. Monteringshuller x4
20. Drejebord
21. Geringsskala
22. Justeringskrue med 45° hældningsvinkel
23. Justeringskrue med 90° hældningsvinkel
24. LED kontakt
25. Laserkontakt
26. Spindellåsknap
27. Justeringsplade til skæredybde
28. Justeringsknop til skæredybde

## RESERVEDELISTE

- PS 216 L: Kap-/geringssav EN 847-1/ ø216 x ø30 x 2,4 / 48T / HW / n maks. 7000 min-1 (Side A: No. 5)
- PS 254 L: Kap-/geringssav EN 847-1/ ø254 x ø30 x 2,6 / 48T / HW / n maks. 7400 min-1 (Side A: No. 5)
- KSavsnittet plade (Side A: No. 8)

## NETTILSLUTNING

Tilslutning må kun foretages til enfaset vekselstrøm og kun til en netspænding, som er i overensstemmelse med angivelsen på mærkepladen. Tilslutning kan også ske til stikdåser uden beskyttelseskontakt, da kapslingsklasse II foreligger.

Stikdåser uden dørs skal være forsynet med fejlstrømssikrings-kontakter (FI, RCD, PRCD). Det forlanger installationsforskriften for Deres elektroanlæg. Overhold dette, når De bruger vores maskiner.

Maskinen sluttes kun udkoblet til stikdåsen.

Tilslutningskablet holdes hele tiden væk fra maskinens arbejdsområde. Kablet ledes altid bort bag om maskinen.

Kontroller hvergang, før laderen anvendes, at tilslutningskabel, forlængerkabel og stik er i orden. Dele der er beskadiget bør kun repareres hos et autoriseret værksted.

En strømspids forårsager spændingssvingninger og kan påvirke andre elektriske produkter tilsluttet samme strømforsyningslinje. Produktet skal sluttes til en strømforsyning med en impedans svarende til 0,3 Ω for at minimere spændingssvingninger.

Kontakt dit elselskab for nærmere oplysninger.

## VEDLIGEHOJDELSE

Modificer ikke denne sav på nogen måde, og brug ikke tilbehør, der ikke er godkendt af producenten. Dette kan bringe både dig selv og andre i fare.

Brug ikke saven hvis knapper, beskyttelsesskærme eller andre dele ikke virker efter hensigten. Indlever til et autoriseret servicecenter for professionel reparation eller justering.

Foretag ikke justeringer, mens savklingen er i bevægelse.

Sørg altid for, at stikket er blevet fjernet fra strømkilden inden du foretager justeringer, smører eller vedligeholder produktet.

Tjek din sav for skader eller ødelagte dele før og efter brug, og hold den i optimal stand ved øjeblikkeligt at erstatte beskadigede dele med reservedele godkendt af producenten.

Klingen er meget varm efter brug. Bær handsker eller lad klingen køle af før vedligeholdelse eller rengøring.

Fjern akkumuleret støv ved hjælp af en pensel eller støvsuger. Brug ikke komprimeret luft.

For optimal sikkerhed og pålidelighed bør alle reparationer, herunder udskiftning af børster, udføres af et autoriseret serviceværksted.

Rengør maskinen og beskyttelsesudstyret med en tør klud.

Hold altid maskinens ventilationsåbninger rene.

Hvis det er nødvendigt at udskifte el-ledningen, skal dette gøres af producenten eller af en af dennes repræsentanter for at undgå fare for sikkerheden.

Brug kun AEG tilbehør og reservedele. Lad de komponenter, hvis udskiftning ikke er blevet beskrevet, udskifte hos Atlas Copco service (se kundeserviceadresser).

Ved opgivelse af type nr. der er angivet på maskinens effektskilt, kan de rekvirere en reservedelstegning, ved henvendelse til: Techtronic Industries GmbH, Max-Eyth-Straße 10, 71364 Winnenden, Germany.

## CE-KONFORMITETSERKLÆRING

Vi erklærer som eneansvarlige, at produktet, som beskrives under "Tekniske data", opfylder alle de relevante bestemmelser i direktiverne

2011/65/EU (RoHS)

2006/42/EF

2014/30/EU

og følgende harmoniserede standarder er blevet anvendt.

EN 62841-1:2015

EN 62841-3-9:2015+A11:2017

EN 55014-1:2017

EN 55014-2:2015

EN 61000-3-2:2014

EN 61000-3-11:2000

EN IEC 63000:2018



Winnenden, 2019-03-08

Alexander Krug / Managing Director  
Autoriseret til at udarbejde de tekniske dokumenter.

Techtronic Industries GmbH  
Max-Eyth-Straße 10, 71364 Winnenden, Germany



## SYMBOLER



VIGTIGT! ADVARSEL! FARE!



Før ethvert arbejde ved maskinen skal stikket tages ud af stikdåsen.



ADVARSEL-For at minimere risikoen for personskade, skal brugeren læse brugsanvisningen!



Når der arbejdes med maskinen, skal man have beskyttelsesbriller på.



Brug høreværn!



Brug beskyttelseshandsker!



Hold altid hænderne væk fra savbladets område.



- Maskinen er kun egnet til indendørsbrug, maskinen må ikke udsættes for regn.



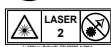
Støvsikring tilslutningsport



Skær kun i træ.



Kig ikke ind i laserstrålen



Produktet svarer til laserklasse 2 i henhold til EN 60825-1:2014.



Savklinge-Ø x hul-Ø



Omdrejningsretning



Savklinge



Savbredde

**n<sub>0</sub>**

Omdrejningstal, ubelastet

**V**

Spænding



Vekselstrøm



Kapslingsklasse II elværktøj. Elværktøj, hvor beskyttelsen mod et elektrisk stød ikke kun afhænger af basisisoleringen men også af, at der anvendes yderligere beskyttelsesforanstaltninger som dobbelt isolering eller forstærket isolering.

Der findes ikke udstyr til tilslutning af en beskyttelsesleder.



Elektrisk udstyr må ikke bortskaffes sammen med det almindelige husholdningsaffald. Elektrisk og elektronisk udstyr skal indsamles særskilt og afleveres hos en genbrugsvirksomhed til en miljømæssig forsvarlig bortskaffelse. Spørg de lokale myndigheder eller din forhandler om genbrugsstationer og indsamlingssteder til sådant affald.



Europæisk konformitetsmærke



Ukrainsk konformitetsmærke



Eurasisk konformitetsmærke





TEKNISKE DATA	PS 216 L	PS 254 L
<b>Kapp-/gjæringsag *</b>		
Produksjonsnummer	4699 98 01 ... ... 000001-999999	4699 99 01 ... 4740 22 01 ... ... 000001-999999
Nominell inngangseffekt	220-240 V, 50 HZ, 1400W, 6,5 A	220-240 V, 50 HZ, 1800W, 8,7 A
Tomgangsturtall	5000 min <sup>-1</sup>	4500 min <sup>-1</sup>
Sagblad-ø x hull-ø	216 x 30 mm	254 x 30 mm
Tykkelse på sagbladhus maks.	1,6 mm	1,8 mm
Tykkelse på sagbladtann minimum	2,4 mm	2,6 mm
Skjærekapasitet maks		
Gjæring 0°/ Skråstilling 0°	65 x 305 mm	90 x 305 mm
Gjæring 45°/ Skråstilling 0°	65 x 215 mm	90 x 215 mm
Gjæring 0°/ Skråstilling 45° ↘	36 x 305 mm	50 x 305 mm
Gjæring 45°/ Skråstilling 45° ↘	36 x 215 mm	50 x 215 mm
Vekt i henhold til EPTA-Prosedyren 01/2014	16,7 kg	19,6 kg
<b>Støyinformasjon</b>		
Måleverdier fastslått i samsvar med EN 62841. Det typiske A-bedømte støynivået for maskinen er:		
Lydtryknivå (Usikkerhet K=3dB(A))	99,27 dB (A)	95,15 dB (A)
Lydeffektnivå (Usikkerhet K=3dB(A))	112,27 dB (A)	108,15 dB (A)
<b>Bruk hørselsvern!</b>		

\*PS ≙ Kapp-/gjæringsag

## ADVARSEL!

De angitte støynivåerdi(ene) har blitt målt i samsvar med standardiserte målemetoder jamfør EN 62841-1 og EN 62841-3-9 og kan brukes til å sammenligne et verktøy med et annet. De angitte støyemisjonsverdi(ene) kan også brukes i til en foreløpig eksponeringsvurdering.

Den faktiske støyemisjonen når du bruker elektroverktøyet kan avvike fra de angitte verdiene. Dette er avhengig av hvordan verktøyet blir brukt og spesielt hvilket material det brukes til.

Gjør deg bevisst på ulike sikkerhetstiltak for å beskytte brukeren. Tiltakene skal baseres på hvor utsatt brukeren anslås å være under de aktuelle forholdene (vurder hele brukssyklusen, det betyr når verktøyet er slått av, når det ligger klar til å bruk og den tiden startbryteren er aktivert).

Bruk hørselsvern. Støy kan føre til tap av hørselen.

**⚠ ADVARSEL** Les alle sikkerhetsanvisninger, instruksjer, bildeforklaringer og data som fulgte med maskinen. Hvis du ikke følger følgende anvisninger, kan det oppstå elektriske støt, ild og/eller store skader.

**Ta godt vare på alle advarslene og informasjonene.**

## ⚠ SIKKERHETSREGLER FOR GJÆRINGSSAGER

**a) Gjæringsager skal brukes til å skjære tre eller trelignende produkter, og kan ikke brukes med slipende kutteskiver for å skjære jernholdig materiale som f.eks. staver, stenger, bolter osv.** Slipestøv får bevegelige deler så som det nedre vernet til å kjøre seg fast. Gnister fra slipeskjæring vil brenne det nedre vernet, breddeinnsatsen og andre plastdeler.

**b) Bruk klemmer for å støtte arbeidsstykket når det er mulig. Hvis du støtter arbeidsstykket med hånden, må du alltid holde hånden minst 100 mm fra begge sider av sagbladet. Ikke bruk denne sagen til å kutte stykker som er for små til å klemmes fast eller holdes med hånden.** Hvis du plasserer hånden din for nær sagbladet, øker faren for at du kommer i kontakt med bladet og skader deg.

**c) Arbeidsstykket må være i ro og festet eller holdt mot både gjerdet og bordet. Ikke mat arbeidsstykket inn i bladet eller skjær "med fri hånd" på noen måte.** Uhemmede eller bevegelige arbeidsstykker kan bli kastet i høye hastigheter, og forårsake skade.

**d) Skyv sagen gjennom arbeidsstykket. Ikke dra sagen gjennom arbeidsstykket. For å gjøre et kutt, hev sagedhodet og trekk det ut over arbeidsstykket uten å skjære, start motoren, trykk sagedhodet ned og skyv sagen gjennom arbeidsstykket.** Saging med draslaget vil sannsynligvis få sagbladet til å gå på toppen av arbeidsstykket og kaste bladenheten hardt mot brukeren.

**e) Aldri kryss hånden din over den tiltenkte skjærelinjen, verken foran eller bak sagbladet.** Å støtte arbeidsstykket "på tvers", dvs. å holde arbeidsstykket til høyre for sagbladet med venstre hånd eller vice versa er svært farlig.

**f) Ikke nå bak gjerdet med begge hender nærmere enn 100 mm fra hver side av sagbladet for å fjerne trerester, eller av andre grunner mens bladet roterer.** Du er kanskje ikke klar over hvor nært det roterende sagbladet er hånden din, og at du kan bli alvorlig skadet.



**g) Inspiser arbeidsstykket før du skjærer. Hvis arbeidsstykket er bøyd eller skjevt, fest det med den utvendige bøyde flaten mot gjerdet. Vær alltid sikker på at det ikke er noen avstand mellom arbeidsstykket, gjerdet og bordet langs skjærelinjen.** Bøyde eller skjeve arbeidsstykker kan vris eller forskyves og kan binde det roterende sagbladet mens det skjærer. Det skal ikke være spiker eller fremmedlegemer i arbeidsstykket.

**h) Ikke bruk sagen før alle verktøy, trerester osv. er fjernet fra bordet, bortsett fra arbeidsstykket.** Smårusk eller løse trebiter eller andre gjenstander som kommer i kontakt med det roterende bladet kan bli kastet i høy hastighet.

**i) Skjær bare ett arbeidsstykke om gangen.** Flere stablede arbeidsstykker kan ikke festes eller avstives tilstrekkelig og kan binde seg fast i bladet eller forskyve seg under skjæring.

**j) Sørg for at gjæringssgassen er montert eller plassert på et plant, fast underlag før bruk.** Et plant og fast underlag reduserer risikoen for at gjæringssgassen blir ustabil.

**k) Planlegg arbeidet. Hver gang du endrer skråsnitts- eller gjæringsvinkelinnstillingen, sørg for at det justerbare gjerdet er innstilt riktig for å støtte arbeidsstykket og ikke forstyrrer med bladet eller vernesystemet.** Uten å skru verktøyet "PÅ" og uten arbeidsstykke på bordet, beveg sagbladet gjennom en fullstendig simulert skjæring for å sørge for at det ikke blir noen forstyrrelser eller fare for å skjære gjerdet.

**l) Sørg for tilstrekkelig støtte så som bordutvidelser, saghester osv. for et arbeidsstykke som er bredere eller lengre enn bordplaten.** Arbeidsstykker som er lengre eller bredere enn bordet gjæringssgassen står på kan velte om de ikke er godt festet. Dersom det avskårede stykket eller arbeidsstykket velter, kan det løfte det nedre vernet eller kastes av det roterende bladet.

**m) Ikke bruk en annen person som en erstatning for en bordforlengelse eller som ekstra støtte.** Hvis arbeidsstykket er ustabil støttet kan det få bladet til å binde seg eller arbeidsstykket til å forskyves under skjæringen, og trekke deg og hjelperen inn i det roterende bladet.

**n) Det avskårede stykket må ikke kjøre seg fast eller presses på noen måte mot det roterende sagbladet.** Hvis begrenset, dvs. ved hjelp av lengdestopper, kan det avskårede stykket kiles mot bladet og kastes i voldsom fart.

**o) Bruk alltid en klemme eller et innslag laget for å støtte runde materialer godt, så som stenger eller rør.** Stenger har en tendens til å rulle når de skjæres, slik at bladet "biter" og trekker arbeidet med hånden din inn i bladet.

**p) La bladet oppnå full hastighet før det kommer i kontakt med arbeidsstykket.** Dette vil redusere risikoen for at arbeidsstykket blir kastet.

**q) Hvis arbeidsstykket eller bladet kjører seg fast, skru av gjæringssgassen. Vent til de bevegelige delene slutter å bevege seg, og trekk ut pluggen fra strømkilden og/eller ta ut batteripakken. Fjern deretter det fastkjørte materialet.** Å sage med et fastkjørt arbeidsstykke kan føre til lavere kontroll eller skade på gjæringssgassen.

**r) Etter å ha avsluttet skjæringen, slipp bryteren, hold sagehodet ned og vent på at bladet stopper før du fjerner det avskårede stykket.** Det er farlig å ta hånden nær det saktegående bladet.

**s) Hold i håndtaket når du foretar en ufullstendig skjæring eller når du slipper bryteren før sagehodet er helt i den nedre posisjonen.** Å bremse sageeffekten kan få sagehodet til plutselig å trekkes nedover, og forårsake risiko for skade.

#### KNIVBLADER FOR TRE-ARBEIDE. SPESEIELLE SIKKERHETSHENVISNINGER

Les håndbok og instruksjoner nøye før du tar i bruk sagblad og maskin.

Maskinen må være i god stand, spindelen må ikke være skadet eller vibrere under bruk.

Bruk aldri sagen uten sikkerhetsskjermer i rett posisjon, sørg for at de er vedlikeholdt og fungerer tilfredsstillende.

Vær sikker på at operatøren er tilstrekkelig opplært i sikkerhetstiltak, justering og håndtering av maskinen.

Anvend alltid vernebriller og hørselsvern når du bruker maskinen. Det anbefales å bruke hansker, gode sklisikre sko og forklø.

Les bruksanvisningen før du tar i bruk tilbehør. Feil bruk av tilbehør kan føre til skade, og øke faren for skade.

Anvend bare blader, i samsvar med EN 847-1, som er angitt i denne brukerhåndboken.

Vær oppmerksomhet på maksimal hastighet på sagbladet. Sikre deg om at hastigheten markert på sagbladet tilsvarer hastigheten på sagen.

Bruk alltid sagblad med rett størrelse og med passende festehull. Sagblad som ikke passer sammen med sagens montasjedeler, går rundt og fører til tap av kontrollen.

Ikke bruk blader med større eller mindre diameter enn det som er anbefalt. Bruk aldri navringer for å tilpasse bladet til spindelen.

Sjekk alltid taggene på sagbladet for skader eller avvik før de tas i bruk. Sagbladtagger som er skadet eller løse, kan løse under bruk og utgjøre en fare for personskade.

Sagblad som har sprekker eller som har endret form må ikke brukes! Bruk ingen sageblad som er skadet eller deformert

Kast sagblad som er skadet, deformert, forvrengte eller sprukket. Det er ikke tillatt å reparere disse.

Bruk ingen sageblad laget av hurtigstål.

Sikre at sagblad er forsvarlig montert og stram til mutteren tilstrekkelig før bruk (Tiltrekningsmoment ca. 12 Nm).

Festeskrue og mutter skal strammes til ved hjelp av passende skiftnøkkel etc.

Utvidelse med skiftenøkkel eller stramming ved bruk hammer, er ikke tillatt.

Pass på at blad og flenser er rene, og at de innfelte sidene av kragen er inn mot bladet.

Kontroller at bladet roterer i riktig retning.

Før du starter arbeidet, gjør et prøvekutt, så posisjonen av bladet, effekten av sikkerhetsskjermer og materiale kan kontrolleres.

Forlat aldri maskinen uten oppsyn.

Tilfør aldri smøremidler på bladet når maskinen er i gang.

Foreta aldri rengjøring eller vedlikehold når maskinen er i gang og kuttehodet ikke er i stille posisjon.

Prøve aldri å stoppe en maskin som er i bevegelse ved bruk av et annet verktøy mot sagbladet, dette kan føre til alvorlige ulykker som ikke var tilsiktet.

Koble alltid fra strøm eller ta ut batteri før skifte av skjæreblad eller utførelse av vedlikehold.



Nor

Vær oppmerksom på bladet ved pakking og utpakking, det er lett å skade seg på de skarpe taggene.

Bruk en holder for bladet eller bruk hansker når du håndterer et sagblad.

Oppbevar bladet i originalemballasjen eller annet egnet emballasje, i tørre forhold vekk fra kjemikalier som kan skade bladet.

## YTTERLIGE SIKKERHETS- OG ARBEIDSIKKEHETSINSTRUKSJONER

Forsikre deg om at materialet alltid er sikret på beste måte.

Kontroller at maskinen alltid står stabilt (f. eks at den er festet på arbeidsbenken..

Bruk hørselsvern. Støy kan føre til tap av hørselen.

Ta alltid på vernebrille ved bruk av maskinen. Det anbefales å bruke hansker for håndtering av blader og grovt materiale, samt robuste sklisikre sko som beskytter føttene mot deler fra materialet som kan falle fra arbeidsområdet.

Pass alltid på å fjerne nettpluggen før du foretar justeringer, smøring eller vedlikehold av maskinen.

Maskinen må være slått av når den koples til stikkkontakten.

Hold deg borte fra området nær sagbladet, til maskinen har kommet til fullstendig stopp.

Kontroller verktøyet for skader eller materialtretthet før du tar det i bruk. Skadede deler skal bare repareres av en fagmann.

Bruk alltid maskinens beskyttelsesinnetninger. Ikke ta maskinen i bruk hvis sikkerhetsskjerm ikke er på plass og fungerer ordentlig.

Den nedre sagbladbeskyttelsen skal kun åpnes når sagbladet er senket ned i arbeidsstykket. Det må alltid kunne bevege seg fritt og lukkes automatisk..

Pass på å alltid fikse og bruke forlengelsesstangen for å støtte arbeidsstykket når den er i bruk.

Foreta aldri noen endringer på sagen eller på noen av dens funksjoner. Du kan bli utsatt for fare.

Ikke bruk sagblad som er sprukket, skadet eller deformert.

Bruk ingen sageblad laget av hurtigstål .

Bruk bare skarpe sagblad. Sløve sagblad må skiftes ut med nye.

Bruk alltid sagblad med rett størrelse og med passende festehull.

Sagblad som ikke passer sammen med sagens montasjedeler, går urundt og fører til tap av kontrollen.

Bare blad egnet for tre-arbeide bør benyttes, i følge retningslinjer i håndboken EN 847-1.

For å sikre sagbladet, må du ikke bruke andre flenser, skiver og muttere enn de som er inkludert eller angitt bruksanvisningen.

Bruk sagblad som er egnet for materialet som skal sages. Du må aldri bruke dette produktet for å sage i materialer som ikke er spesifisert i delen om bruksformål i denne håndboken.

Det er viktig å unngå at sagbladene overopphetes og at plastikken ikke smelter når du sager.

Det på sagebladet angitte maksimum omdreiningstallet må overholdes. bruk kun sagblader som er merket med lik eller høyere hastighet enn den hastigheten som er angitt på verktøyet.

Erstatt bordinnlegget når det er utslitt eller skadet.

Før du starter arbeidet, gjør et prøveutt, så posisjonen av bladet, effekten av sikkerhetsskjermer og materiale kan kontrolleres.

Når du kutter med gjær-, kapp- eller kombisag, juster sleidesikringen for å sikre riktig avstand til bladet.

Støttesperrene må alltid aktiveres før du transporterer verktøyet.

Gulver skal være fritt for spon og sagerester.

Ikke fjern sagerester eller andre deler av arbeidsstykker fra sagens område mens maskinen går og sagehode ikke befinner seg i hvilestilling.

Langt materiale skal støttet på egnet måte. Sagens arbeidsområde omfatter hele arbeidsstykket. Brukeren må sikre hele dette området for uforutsett kontakt med andre personer eller gjenstander som kan bevege arbeidsstykket under saging.

Støv som oppstår under arbeidet er ofte helsefarlig og bør ikke komme inn i kroppen. Bruk støvavsug og i tillegg egnede støvbeskyttelsesmaske. Fjern oppsamlet støv grundig, f.eks. oppsuging.

Skift aldri LED eller laser med en annen type enn den anbefalte. Eventuelle reparasjoner må bare utføres av produsenten eller autoriserte personer.

Strømstans skaper spenningsvariasjoner og kan påvirke andre elektriske apparater på den samme kursen. Koble produktet til en strømforsyning med en impedans lik 0,3 Ω for å minimere spenningsvingninger. Kontakt det lokale energiverket for å få en ytterligere klargjøring

## SPESIELLE SIKKERHETSHENVISNINGER LASER

Laserstråling som brukes i denne sagen er klasse II med maksimum  $P \leq 1mW$  og  $\lambda$ : 650nm bølgelengder. Unngå å se på den direkte ved bruk av optiske instrumenter. Unnvikelse fra disse reglene kan føre til alvorlig personskade.

Unngå å se rett på strålen under arbeid.

Ikke rett strålen i retning av andre mennesker. Kan føre til alvorlige skade på øyet.

Ikke plasser strålen på en slik måte at noen er nødt til å se rett inn i den, med eller uten tilsløst vilje.

Ikke bruk optisk verktøy for å se laserstrålen.

Laseren må ikke brukes i nærheten av barn, og de må aldri få lov til å bruke den.

Ikke forsøk å reparere laserenheten på egenhånd.

Du må aldri bytte ut eller endre deler på laseren på egenhånd.

Eventuelle reparasjoner må bare utføres av produsenten eller autoriserte personer.

Bytt ikke innebygget laser ut mot en annen type laser.

## FORMÅLSMESSIG BRUK

Gjæringssagen er ment for bruk til saging av solid og limt treverk, finer som er limt eller ikke limt, plast eller trelignende materialer.

Gjæringssagen skal brukes bare av voksen operatører som har lest bruksanvisningen og forstår risiko og farer.

Gjæringssagen er utformet for å festes til toppen av benke topp. Hvis toppen ikke er forsvarlig festet, så kan hele maskinen forflytte seg under arbeidet, noe som øker faren for alvorlig personskade.

Gjæringssagen er laget for å kutte skråkanter og gjæringsskutt. Oversikt over de forskjellige kuttmetodene finnes i produktspesifikasjonene i denne håndboken.

Gjæringssagen skal brukes i tørre forhold, med passende dempet belysning og ventilasjon.

Gjæringssagen er bare beregnet for privat bruk og skal bare brukes utifra gitte beskrivelser og ikke til andre formål.



## RESTFARER

Selv om gjæringsdagen brukes som beskrevet, er det umulig å eliminere alle risikofaktorer. Visse farer kan oppstå, og operatøren bør være veldig oppmerksom på følgende:

- Risikoen for kontakt med uskjermede deler av det roterende sagbladet.
- Løse biter fra materialet grunnet dårlig sikring eller justering.
- Flyvende defekte karbid spisser fra sagbladet.
- Skade på luftveiene.

OBS: Bruk vernemasker med filter som er tilpasset materialet det jobbes med.

Sikre tilstrekkelig ventilasjon på arbeidsplassen. Ikke spis, drikk eller røyk i arbeidsområdet.

Brukes et slitt hørselsvern, kan dette skade hørselen.

### ADVARSEL

Støv fra visse typer maling og materialer kan forårsake irritasjon eller gi allergiske reaksjoner i luftveiene. Støv av tre som eik, bok, MDF og annet er kreftfremkallende. Materialer som inneholder asbest bør bare jobbes med eller bearbeides av kvalifiserte operatører.

### ADVARSEL

Skader kan oppstå eller forverres ved langvarig bruk av et verktøy. Når du bruker et verktøy over lengre perioder, bør du ta regelmessige pauser.

## BLI KJENT MED VERKTØYET DITT

Se side A.

- |  |   |
|--|---|
| 1. Håndtak, isolert sklisikker overflate | 16. Glideanlegg                           |
| 2. AV/PÅ-bryter                          | 17. Arbeidsstykkeholder                   |
| 3. Sperrehake                            | 18. Forlengelsesstang                     |
| 4. Ytre flens                            | 19. Feste hull x4                         |
| 5. Sagblad                               | 20. Dreiebord                             |
| 6. Nedre beskyttelse                     | 21. Gjæringsmåleskive                     |
| 7. Fikseringsanlegg                      | 22. Justeringskrue for 45° skråkantvinkel |
| 8. Snittplate                            | 23. Justeringskrue for 90° skråkantvinkel |
| 9. Sperrehåndtak for dreiebord           | 24. LED-bryter                            |
| 10. Topp håndtak                         | 25. Laserbryter                           |
| 11. Øvre beskyttelse                     | 26. Spindellåsknapp                       |
| 12. Støvsamler                           | 27. Justeringsplate for snittdybde        |
| 13. Stoppknapp for den lineære stangen   | 28. Justeringsknott for snittdybde        |
| 14. Klemme                               |   |
| 15. Sperrehake for skråkantvinkelen      |   |

## LISTE OVER RESERVEDELER

- PS 216 L: Kapp-/gjæringsag EN 847-1/ ø216 x ø30 x 2,4 / 48T / HW / n maks. 7000 min<sup>-1</sup> (Side A: No. 5)
- PS 254 L: Kapp-/gjæringsag EN 847-1/ ø254 x ø30 x 2,6 / 48T / HW / n maks. 7400 min<sup>-1</sup> (Side A: No. 5)
- KSnittplate (Side A: No. 8)

## NETTILKOPLING

Skal bare tilsluttes enfasevekselstrøm og bare til den på skiltet angitte nettspenning. Tilslutning til stikkontakter uten jordet kontakt er mulig fordi beskyttelse beskyttelsesklasse II er forhanden.

Stikkontakter utendørs må være utstyrt med feilstrøm-sikkerhetsbryter (FI, RCD, PRCD). Dette forlanges av installasjonsforskriften for elektroanlegg. Vennligst følg dette når du bruker vårt apparat.

Maskinen må være slått av når den koples til stikkkontakten.

Hold ledningen alltid vekk fra maskinens virkeområde. Før ledningen alltid bakover fra maskinen.

Kontroller apparat, tilkoplingsledning, akkupaack skjøteledning og støpsel for skader og aldring før bruk. La en fagmann reparere skadete deler.

Strømstans skaper spenningsvariasjoner og kan påvirke andre elektriske apparater på den samme kursen. Koble produktet til en strømforsyning med en impedans lik 0,3 Ω for å minimere spenningsvingninger.

Kontakt det lokale energiverket for å få en ytterligere klargjøring

## VEDLIKEHOLD

Du må aldri modifisere denne sagen på noe som helst måte, eller bruke tilbehør som ikke er godkjent av produsenten. Både din og andres sikkerhet vil da settes i fare.

Bruk ikke sagen hvis brytere, sikkerhetskjermer eller andre funksjoner ikke fungerer på riktig måte. Bruk bare autoriserte servicesentere for profesjonell reparasjon eller justering av verktøyet.

Foreta aldri noen justeringer så lenge bladet er i bevegelse.

Pass alltid på å fjerne nettpluggen før du foretar justeringer, smøring eller vedlikehold av maskinen.

Sjekk alltid sagen for skade eller ødelagte deler før og etter bruk, og sørg for at den er godt vedlikeholdt ved umiddelbart skifte av reservedeler godkjent av produsenten.

Etter bruk vil bladet være svært varmt, og det er derfor nødvendig å benytte hansker og la det kjøle ned seg før utførelse av vedlikehold og rengjøring.

Fjerne oppsamlet støv med en kost eller støvsuger. Ikke bruk trykkluft.

For å sikre pålitelighet og sikkerhet, bør alle reparasjoner, inkludert skifte av børste, utføres av et autorisert servicesenter.

Rengjør apparatet og verneinnretningen med en tørr klut.

Hold alltid luftenåpningene på maskinen rene.

Hvis strømledningen er skadet, må den skiftes av produsenten, servicerepresentanten eller tilsvarende kvalifisert person for å unngå fare.

Bruk kun AEG tilbehør og reservedeler. Komponenter der utskifting ikke er beskrevet skal skiftes ut hos AEG kundeservice (se brosjyre garanti/kundeserviceadresser).

Ved behov kan du be om en eksplosjonstegning av apparatet hos din kundeservice eller direkte hos Techtronic Industries GmbH, Max-Eyth-Strasse 10, 71364 Winnenden, Germany. Oppgi maskintype og det nummeret på typeskiltet.



Nor

## CE-SAMSVARERKLÆRING

Vi erklærer i alene ansvar at produktet beskrevet i „Teknisk data“ overensstemmer med alle relevante forskrifter til Eu direktiv

2011/65/EU (RoHS)

2006/42/EC

2014/30/EU

og de følgende harmoniserte normative dokumentene. fyrstikker

EN 62841-1:2015

EN 62841-3-9:2015+A11:2017

EN 55014-1:2017

EN 55014-2:2015

EN 61000-3-2:2014

EN 61000-3-11:2000

EN IEC 63000:2018



Winnenden, 2019-03-08

Alexander Krug / Managing Director

Autorisert til å utarbeide den tekniske dokumentasjonen

Techtronic Industries GmbH

Max-Eyth-Straße 10, 71364 Winnenden, Germany

## SYMBOLER



OBS! ADVARSEL! FARE!



Trekk støpslet ut av stikkontakten før du begynner arbeider på maskinen.



ADVARSEL-For å minimere risikoen for skade må brukeren ha lest manualen med instruksjonene først!



Bruk alltid vernebrille når du arbeider med maskinen.



Bruk hørselsvern!



Bruk vernehansker!



Hold hendene borte fra området til sagebladet.



Apparatet er kun egnet for bruk innendørs, det må ikke utsettes for regn.



Støvsamler tilkoblingsport



Sag kun i treverk.



Se ikke inn i laseren.



Produktet tilsvarer laserklasse 2 i henhold til EN 60825-1:2014.



Sagblad- $\emptyset$  x hull- $\emptyset$



Rotasjonsretningen



Bladtenner



Kuttbredde

**n<sub>0</sub>**

Tomgangsturtall

**V**

Spenning



Vekselstrøm



Elektroverktøy av verneklasse II. Elektroverktøy hvor beskyttelse mot elektrisk slag ikke bare er avhengig av basisisoleringen, men som også er avhengig av at tilleggs vernetiltak som dobbelt eller forsterket isolering blir brukt.

Det finnes ingen innretning for tilkobling av en beskyttelsesleder.



Elektriske apparat skal ikke kastes sammen med vanlig husholdningsavfall. Elektriske og elektroniske apparat skal samles separat og leveres til miljøvennlig deponering til en avfall bedrift. Informer deg hos myndighetene på stedet eller hos din fagforhandler hvor det finnes recycling bedrifter oppsamlingssteder.



Europeisk samsvarsmerke



Ukrainsk samsvarsmerke



Euroasiatisk samsvarsmerke



Nor

TEKNISKA DATA	PS 216 L	PS 254 L
<b>Kap-/geringssåg *</b>		
Produktionsnummer	4699 98 01 ... ... 000001-999999	4699 99 01 ... 4740 22 01 ... ... 000001-999999
Nominell upptagen effekt	220-240 V, 50 HZ, 1400W, 6,5 A	220-240 V, 50 HZ, 1800W, 8,7 A
Tomgångsvarvtal, obelastad	5000 min <sup>-1</sup>	4500 min <sup>-1</sup>
Sågklinga-ø x hål-ø	216 x 30 mm	254 x 30 mm
Tjockleken på sågbladens kropp max.	1,6 mm	1,8 mm
Tjockleken på sågbladens tänder min.	2,4 mm	2,6 mm
Skäreffekt max.		
Gering 0°/ Lutning 0°	65 x 305 mm	90 x 305 mm
Gering 45°/ Lutning 0°	65 x 215 mm	90 x 215 mm
Gering 0°/ Lutning 45° ↘	36 x 305 mm	50 x 305 mm
Gering 45°/ Lutning 45° ↘	36 x 215 mm	50 x 215 mm
Vikt enligt EPTA 01/2014	16,7 kg	19,6 kg
<b>Bullerinformation</b>		
Mätvärdena har tagits fram baserade på EN 62841. A-värdet av maskinens ljudnivå utgörs:		
Ljudtrycksnivå (Onoggrannhet K=3dB(A))	99,27 dB (A)	95,15 dB (A)
Ljudeffektsnivå (Onoggrannhet K=3dB(A))	112,27 dB (A)	108,15 dB (A)
<b>Använd hörselskydd!</b>		

\*PS ≙ Kap-/geringssåg

### VARNING!

De deklarerade bullervärdena har uppmätts i överensstämmelse med en standardiserad testmetod enligt EN 62841-1 och EN 62841-3-9 och kan användas för att jämföra ett verktyg med ett annat. De deklarerade bullervärdena kan även användas för en preliminär bedömning av exponeringen.

Bulleremissionerna vid faktisk användning av elverktyget kan skilja sig från de deklarerade värdena beroende på vilka sätt verktyget används och i synnerhet vilken typ av arbetsstycke som bearbetas.

Identifiera säkerhetsåtgärder för att skydda operatören. Dessa ska baseras på en uppskattning av exponeringen under de verkliga användningsförhållandena (med hänsyn tagen till alla delar av arbetscykeln, som till exempel förutom utlösningstiden även de tider då verktyget är avstängt eller går i tomgång).

Bär hörselskydd. Buller kan leda till att du förlorar hörseln.

**⚠ VARNING** Läs alla säkerhetsanvisningar, instruktioner, beskrivningar och uppgifter som du får tillsammans med apparaten. Om nedanstående anvisningar ignoreras finns risk för att elstöt, brand och/eller allvarliga personskador uppstår.

**Förvara alla varningar och anvisningar för framtida bruk.**

### ⚠ SÄKERHETSANVISNINGAR FÖR GERINGSÅGAR

**a) Geringssågar är avsedda för att skära trä eller träliknande produkter. De kan inte användas med kapskivor för att skära järnmaterial som till exempel stavar, stänger, bultar osv.** Slipdamm gör att rörliga delar, som till exempel det nedre skyddet, läser sig. Gnistor från slipande skärning bränner sönder det nedre skyddet, sågsparinsatsen och andra plastdelar.

**b) Använd alltid när det är möjligt skruvtingar för att hålla fast arbetsstycket. Om du håller fast arbetsstycket med handen, måste du alltid hålla din hand på minst 100 mm avstånd från endera sidan av sågbladet. Använd inte den här sågen för att skära bitar som är för små för att spännas fast eller hållas fast med handen på ett säkert sätt. Om din hand är placerad för nära sågbladet, finns en ökad risk att du skadar dig genom kontakt med sågbladet.**

**c) Arbetsstycket måste vara fastspänt så att det inte kan röra sig eller hållas både mot anhållet och bordet. Du får inte på något sätt mata in arbetsstycket i sågbladet eller skära "på fri hand".** Arbetsstycken som sitter löst eller rör på sig kan slungas iväg i hög hastighet och orsaka skada.

**d) Skjut sågen genom arbetsstycket. Dra inte sågen genom arbetsstycket. För att göra ett snitt lyfter du upp såghuvudet och drar det över arbetsstycket utan att skära. Sedan startar du motorn, trycker ner såghuvudet och skjuter sågen genom arbetsstycket.** Vid skärning i dragriktning finns risk att sågbladet klättrar upp på arbetsstycket och sågbladenshelten våldsamt slungas mot operatören.

**e) Sträck aldrig handen tvärs över den avsedda snittlinjen, varken framför eller bakom sågbladet.** Att stödja arbetsstycket med "korsade händer", dvs. att hålla fast arbetsstycket med vänster hand på höger sida av sågbladet eller tvärtom, är väldigt farligt.

- f) Sträck inte in någondera handen bakom anhållet medan sågbladet roterar, t.ex. för att ta bort träspån eller av någon annan anledning. Låt inte handen komma närmare än 100 mm från sågbladet på någondera sidan.** Det roterande sågbladets närhet till din hand är kanske inte uppenbar, och du kan skadas allvarligt.
- g) Granska ditt arbetsstycke före skärningen. Om arbetsstycket är böjt eller skevt, ska du spänna fast det med den utåtböjda sidan mot anhållet. Förvissa dig alltid om att det inte finns någon spalt mellan arbetsstycket, anhållet och bordet längs snittlinjen.** Böjda eller skeva arbetsstycken kan vrida eller flytta sig och kärva mot det roterande sågbladet under skärningen. Det får inte finnas några spikar eller främmande föremål i arbetsstycket.
- h) Använd inte sågen förrän bordet är fritt från alla verktyg, träspån osv. Endast arbetsstycket får finnas på bordet.** Smått skräp, lösa träbitar eller andra föremål som kommer i kontakt med det roterande sågbladet, kan slungas iväg med hög hastighet.
- i) Skär endast ett arbetsstycke i taget.** Flera arbetsstycken som har staplats på varandra, kan inte spännas fast eller bindas ihop på ett lämpligt sätt och kan kärva mot sågbladet eller flytta sig under skärningen.
- j) Säkerställ att geringssågen är monterad eller placerad på en jämn och fast arbetsyta innan du använder den.** En jämn och fast arbetsyta minskar risken för att geringssågen blir instabil.
- k) Planera ditt arbete. Varje gång du ändrar fas- eller geringsvinkeln måste du se till att det justerbara anhållet är korrekt inställt, så att det stöder arbetsstycket och inte är i vägen för sågbladet eller skyddssystemet.** För att säkerställa att ingenting är i vägen och att det inte finns någon risk för att skära i anhållet, ska du flytta sågbladet längs hela det simulerade snittet utan att slå på verktyget och utan arbetsstycke på bordet.
- l) Ordna med lämpligt stöd, som till exempel bordsförlängningar, sågbocker osv., för arbetsstycken som är bredare eller längre än bordskivan.** Arbetsstycken som är bredare eller längre än geringssågbordet kan tippa över om de inte har ett säkert stöd. Om det avkapade stycket eller arbetsstycket tippas över, kan det lyfta upp det nedre skyddet eller slungas iväg av det roterande sågbladet.
- m) Använd inte en annan person som ersättning för en bordsförlängning eller som ytterligare stöd.** Om arbetsstyckets stöd är instabilt, kan sågbladet kärva eller arbetsstycket flytta sig under skärningen och dra in dig och medhjälparen i det roterande sågbladet.
- n) Den avkapade biten får inte på något sätt fastna eller tryckas mot det roterande sågbladet.** Om utrymmet är begränsat, dvs. om längdanslag används, kan den avkapade biten kila fast mot sågbladet och slungas iväg våldsamt.
- o) Använd alltid en skruvtving eller fixtur som är utformad för att på rätt sätt hålla fast runt material, som till exempel stänger eller rör.** Stänger har en tendens att rulla när de kapas, vilket gör att sågbladet "biter sig fast" och drar in arbetsstycket med din hand i sågbladet.
- p) Låt sågbladet nå full hastighet innan det kommer i kontakt med arbetsstycket.** Det minskar risken för att arbetsstycket slungas iväg.
- q) Om arbetsstycket eller sågbladet fastnar, ska du stänga av geringssågen. Vänta tills alla rörliga delar har stannat och dra ut stickproppen ur kraftkällan och/eller ta ut batteripaketet. Ta sedan loss det fastslämda materialet.** Att fortsätta såga med ett arbetsstycke som har fastnat kan leda till förlust av kontrollen eller skada på geringssågen.
- r) När du är klar med snittet släpper du strömbrytaren, håller ner såghuvudet och väntar tills sågbladet har stannat, innan du tar bort den avkapade biten.** Det är farligt att komma nära sågbladet med handen så länge det fortfarande snurrar.
- s) Håll stadigt i handtaget om du gör ett ofullständigt snitt eller om du släpper strömbrytaren innan såghuvudet är helt i den nedre positionen.** Sågens bromsning kan göra att såghuvudet plötsligt dras nedåt, vilket orsakar risk för skada.

#### TRÄSÅGLAD SÄKERHETSUTRUSTNING

Läs igenom manualen och instruktionerna noga innan du använder sågbladet och maskinen.

Maskinen måste vara i gott skick, spindeln utan deformation och vibrationer.

Använd inte sågen utan att skyddsanordningarna är på plats, funktionsdugliga och väl underhållna.

Se till att operatören är tillräckligt utbildad när det gäller säkerhetsåtgärder, justering och maskinens drift.

Bär alltid skyddsglasögon och hörselskydd när du använder maskinen. Det rekommenderas att bära handskar, kraftiga halkfria skor och förkläde.

Titta i bruksanvisningen innan du använder ett tillbehör. Icke fackmässig användning av tillbehör kan orsaka skador och öka risken för personskador.

Använd endast blad som uppfyller EN 847-1 och anges i denna manual.

Beakta den maximala hastigheten som anges på sågbladet. Förvissa dig om att hastigheten på sågbladet är åtminstone lika med den hastighet som står på sågen.

Använd alltid sågklingor med rätt storlek och lämpligt infästningshål. Sågklingor som inte passar till sågens monteringskomponenter roterar orunt och leder till att kontrollen förloras över sågen.

Använd inte blad med större eller mindre diameter än den som rekommenderas. Använd inga mellanläggsbrickor för att få blad att passa på spindeln.

Kontrollera sågbladets spetsar med avseende på skador eller onormalt utseende före varje användning. Spetsar som är skadade eller lösa kan bli till flygande föremål vid drift och öka risken för personskador.

Spruckna sågklingor eller sådana som förändrat form får ej användas! Använd inga sågblad som har tagit skada eller är defomerade.

Skrota sågbladet om det är skadat, deformerat, förvrängt eller sprucket. Reparation är inte tillåten.

Använd inga sågklingor som är tillverkade av high-speed stål.

Se till att sågbladet är korrekt monterat, dra åt spindelns mutter ordentligt före användning (åtdragningsmoment ca 12 Nm).

Fästskruv och muttrar ska dras åt med hjälp av en passande skruvnyckel, etc.



Sve

Förlängning av skruvnyckeln eller åtdragning med hjälp av hammarslag är inte tillåtet.

Se till att bladet och flänsarna är rena och de försänkta sidorna på kragen ligger an mot bladet.

Se till att bladet roterar i rätt riktning.

Innan arbetet påbörjas, gör ett provsnitt utan att motorn är påslagen för att kontrollera bladets placering, skyddsanordningarnas funktion under hänsynstagande av andra maskinkomponenter och arbetsstycket.

Lämna aldrig maskinen utan uppsikt.

Applicera inte smörjmedel på bladet när det roterar.

Utför aldrig rengörings- eller underhållsarbete när maskinen fortfarande är igång och huvudet inte befinner sig i viloläge.

Försök aldrig att stoppa en maskin som är i rörelse snabbt genom att pressa ett verktyg eller något annat mot bladet. Detta kan orsaka allvarliga olyckor.

Skilj sågen från elnätet eller ta bort batteriet innan du byter blad eller utför underhåll.

Var försiktig när du packar ner eller packar upp sågblad, det är lätt att skada sig på bladens skarpa spetsar.

Använd en bladhållare eller använd handskar när du hanterar ett sågblad.

Förvara och lagra bladet i originalförpackningen eller i en annan lämplig förpackning. Håll bladet torrt och borta från kemikalier som kan skada det.

## ÖVRIGA SÄKERHETS- OCH ANVÄNDNINGSPÅBUD

Fäst alltid arbetsstycket på ett säkert sätt.

Se till att maskinen alltid står stadigt (t.ex. genom att fästa den på arbetsbänken).

Bär hörselskydd. Buller kan leda till att du förlorar hörseln.

Använd alltid skyddsglasögon när du använder maskinen. Det rekommenderas att använda handskar vid hantering av blad och grova material, samt kraftiga halkfria skor som även skyddar fötterna från arbetsstycken som kan falla ner från skärområdet.

Förvissa dig alltid om att nätkontakten har dragits ut ur eluttaget innan du utför justeringar, smörjer maskinen eller genomför underhållsarbeten på produkten.

Maskinen skall vara frånkopplad innan den anslutes till väggurtag. Ta aldrig in i området nära bladet, utom när bladet har stannat helt.

Före användning måste verktyget kontrolleras noga med avseende på eventuella skador eller materialutmattning. Endast en fackman får reparera skadade delar.

Använd alltid maskinens skyddsanordningar. Använd inte maskinen om skyddsanordningarna inte är på plats och fungerar korrekt. Det nedre klingskyddet ska endast öppnas när klingan sänks till arbetsstycket och måste alltid kunna röra sig fritt och stänga automatiskt.

Montera och använd alltid hållare till förlängningstångar för stöd till arbetsstycke under drift.

Förändra eller modifiera aldrig sågen eller dess funktion. Din säkerhet kan äventyras.

Använd inte sågklingor som är spruckna, skadade eller deformerade.

Använd inga sågklingor som är tillverkade av high-speed stål.

Använd endast skarpa sågblad. Byta ut slöa sågblad mot nya.

Använd alltid sågklingor med rätt storlek och lämpligt infästningshål.

Sågklingor som inte passar till sågens monteringskomponenter roterar orunt och leder till att kontrollen förloras över sågen.

Använd endast sågblad för träbearbetning som uppfyller EN 847-1 och anges i denna manual.

Använd inga flänsar, brickor och muttrar för att fästa sågbladet förutom de som levererats eller som anges i bruksanvisningen.

Välj en sågklinga som lämpar sig för materialet som ska sågas.

Använd aldrig produkten för att kapa andra material än de som anges under avsedd användning i denna bruksanvisning.

Det är viktigt att undvika överhettning av klingan och smältning av arbetsstycket av plast under pågående kapning.

Det maximala varvtalet som står på sågklingan får inte överskridas. använd endast sågblad som märkts med en hastighet som motsvarar eller är högre än den hastighet som står på verktyget.

Byta ut bordsinsatsen om den är sliten eller skadad.

Innan arbetet påbörjas, gör ett provsnitt utan att motorn är påslagen för att kontrollera bladets placering, skyddsanordningarnas funktion under hänsynstagande av andra maskinkomponenter och arbetsstycket.

Justera styrskenan när du utför geringssnitt, avfasningsnitt eller sammansatta geringssnitt för att försäkra dig om korrekt säkerhetsmarginal från klingan.

Anslagsvinkeln måste alltid vara inkopplad när produkten transporteras.

Se till att golvet alltid är fritt från materialrester t.ex. spån och sågrester.

Avlägsna ej några sågningsrester eller andra delar av arbetsstycket från sågens arbetsområde, när maskinen är i gång och såghuvudet inte är i viloläge.

Stötta långa arbetsstycken på lämpligt sätt. Sågens arbetsområde omfattar hela arbetsstyckets yta. Operatören ska skydda detta område från oavsiktlig kontakt från andra personer eller föremål som kan flytta arbetsstycket under pågående drift.

Damm som uppkommer vid arbeten med denna maskin kan vara skadligt för hälsan om de når kroppen. Använd ett utsugningssystem och bär skyddsmask. Avlägsna kvarblivande damm med t.ex. en dammsugare.

Ersätt aldrig lysdioden eller lasern med en annan typ. Reparationer får endast utföras av tillverkaren eller auktoriserad kundtjänst.

Spänningstopp ger spänningsvariationer och kan påverka andra elektriska produkter anslutna till samma källa. Anslut produkten till en strömkälla med impedans motsvarande 0,3 Ω för att minimera svängningar. Kontakta din elleverantör för ytterligare klargöranden.





## SÄKERHETSUTRUSTNING LASER

Laserstrålningen som används i denna såg är klass II med maximalt  $P \leq 1\text{mW}$  och  $\lambda$ : 650nm våglängd. Titta inte direkt in genom optiska instrument. Underlåtenhet att iaktta föreskrifterna kan leda till allvarliga personskador.

Titta inte in i strålen under drift.

Rikta inte laserstrålen direkt mot andra personers ögon. Risk för allvarliga ögonskador föreligger.

Placera inte lasern i en position som kan medföra att någon avsiktligt eller ofrivilligt stirrar in i laserstrålen.

Använd inte optiska verktyg för att betrakta laserstrålen.

Använd inte lasern i närheten av barn och låt inte barn använda lasern.

Försök inte att själv reparera laserenheten.

Försök inte att själv byta några delar på laserenheten.

Reparationer får endast utföras av tillverkaren eller auktoriserad kundtjänst.

Byt inte ut monterad laser mot en laser av annan typ.

## ANVÄND MASKINEN ENLIGT ANVISNINGARNA

Kap- och geringssågen är avsedd för sågning av solitt och bundet trä med eller utan limmad faner, plast och träliknande material.

Kap- och geringssågen är endast avsedd att användas av vuxna personer som läst bruksanvisningen och förstår de risker och faror som användningen kan medföra.

Kap- och geringssågen är konstruerad så att dess underrede kan fästas på en stabil arbetsbänkskiva. Om underredet inte sitter ordentligt fast, kan hela maskinen komma att röra sig under sågning, vilket ökar risken för allvarliga personskador.

Kap- och geringssågen är konstruerad för att utföra snedkapning och geringssnitt. Kapaciteten för de olika snitten finns i produkt-specifikationerna i den här bruksanvisningen.

Kap- och geringssågen ska användas under torra förhållanden, med utmärkt belysning och tillräcklig ventilation.

Kap- och geringssågen är avsedd att användas av konsumenter och bör endast användas enligt beskrivningen ovan. Den är inte lämplig att användas för något annat ändamål.

## KVARSTÅENDE RISKER

Även när kap- och geringssågen används enligt föreskrift är det omöjligt att helt eliminera vissa kvarvarande riskfaktorer. Följande risker kan uppstå och operatören bör vara särskild uppmärksam för att undvika följande:

- Risk för kontakt med oskyddade delar av det roterande sågbladet.
- Bakslag av arbetsstycken eller delar av arbetsstycken på grund av felaktig inställning eller hantering.
- Spetsar av hårdmetall från sågbladet slungas omkring.
- Skador på andningsorganen.

OBSERVERA: Använd andningskyddsmasker med filter som är lämpliga för det material som bearbetas.

Säkerställ tillräcklig ventilation på arbetsplatsen. Undvik att äta, dricka eller röka inom arbetsområdet.

Risk för hörselskador om inga effektiva hörselskydd används.

## VARNING

Damm från vissa färger, beläggningar och material kan orsaka retningar eller allergiska reaktioner på andningssystemet. Damm från trä såsom ek, bok, MDF och andra är cancerframkallande. Material som innehåller asbest bör endast bearbetas eller hanteras av kvalificerade specialister.

## VARNING

Personskador kan orsakas eller förvärras genom långvarig användning av ett verktyg. Se till att du tar regelbundna pauser om du använder ett verktyg en längre tid.

## GÖR DIG FÖRTROGEN MED DIN PRODUKT

Se sidan A.

- |                               |                                 |
|-------------------------------|---------------------------------|
| 1. Handtag, isolerad greppyta | 15. Fasvinkel låsspak           |
| 2. Utlösningsknapp            | 16. Förskjutbart anslag         |
| 3. Spak till säkerhetsspärr   | 17. Hållare till arbetsstycke   |
| 4. Ytterfläns                 | 18. Förlängningskena            |
| 5. Sågblad                    | 19. Fästhål 4x                  |
| 6. Nedre skydd                | 20. Vändskiva                   |
| 7. Huvudanslag                | 21. Geringsskala                |
| 8. Slitsplatta                | 22. 45° fasvinkel justerskruv   |
| 9. Läshandtag svängskiva      | 23. 90° fasvinkel justerskruv   |
| 10. Övre handtag              | 24. LED-strömbrytare            |
| 11. Övre skydd                | 25. Laserströmbrytare           |
| 12. Stofficka                 | 26. Spindelåsknapp              |
| 13. Linjär stång stoppknapp   | 27. Skärdjup inställningsplatta |
| 14. Klämma                    | 28. Skärdjup inställningsknapp  |

## ERSÄTTNINGSLISTA

- PS 216 L: Kap-/geringssåg EN 847-1/  $\varnothing 216 \times \varnothing 30 \times 2,4 / 48\text{T} / \text{HW} / \text{n max. } 7000 \text{ min}^{-1}$  (Sidan A: No. 5)
- PS 254 L: Kap-/geringssåg EN 847-1/  $\varnothing 254 \times \varnothing 30 \times 2,6 / 48\text{T} / \text{HW} / \text{n max. } 7400 \text{ min}^{-1}$  (Sidan A: No. 5)
- KSlitsplatta (Sidan A: No. 8)

## NÄTANSLUTNING

Får endast anslutas till 1-fas växelström och till den spänning som anges på dataskylden. Anslutning kan även ske till eluttag utan skyddskontakt, eftersom konstruktionen motsvarar skyddsklass II. Anslut alltid verktyget till via en felströmbrytare (FI, RCD, PRCD) vid användning utomhus.

Maskinen skall vara fränkopplad innan den anslutes till vägguttag. Nätkabeln skall alltid hållas ifrån arbetsområdet. Lägg kabeln bakåt i förhållande till arbetsriktningen.

Bryt alltid strömmen vid ombyggnads- och servicearbeten.

Spänningsstopp ger spänningsvariationer och kan påverka andra elektrisk produkter anslutna till samma källa. Anslut produkten till en strömkälla med impedans motsvarande 0,3  $\Omega$  för att minimera svängningar.

Kontakta din leverantör för ytterligare klagöranden.



## SKÖTSEL

Denna såg får inte förändras på något sätt. Använd inga tillbehör som inte har godkänts av tillverkaren. Din och andra personers säkerhet kan äventyras.

Använd inte sägen om kontakter, skyddsanordningar eller andra funktioner på denna såg inte fungerar som de ska. Vänd dig till en auktoriserad kundtjänst för fackmässig reparation eller inställning.

Utför inga justeringar medan sågbladet är i rörelse.

Förvissa dig alltid om att nätkontakten har dragits ut ur eluttaget innan du utför justeringar, smörjer maskinen eller genomför underhållsarbeten på produkten.

Före och efter varje användning måste du kontrollera din såg med avseende på skador eller trasiga delar och hålla den i toppskick genom att omedelbart byta ut delar mot reservdelar som godkänts av tillverkaren.

Bladet är mycket varmt efter användning, bär handskar eller låt det svalna innan du utför underhålls- eller rengöringsarbeten.

Använd en borste eller en dammsugare för att ta bort damm som samlats. Använd ej tryckluft.

För att garantera säkerhet och tillförlitlighet, bör alla reparationer, inklusive byte av borstar utföras av auktoriserad kundtjänst.

Rengör både verktyget och skyddsanordningen med en torr trasa. Se till att motorhöljets luftslitsar är rena.

Om försörjningskabeln måste bytas ut, måste detta göras av tillverkaren eller dennes representant för att undvika säkerhetsrisker.

Använd endast AEG tillbehör och reservdelar. Reservdelar vars utbyte ej beskrivs byts bäst av AEG auktoriserad serviceverkstad (se broschyr Garanti/Kundtjänstadresser).

Vid behov av sprängskiss, kan en sådan, genom att uppge maskinens art. nr. (som finns på typskylten) erhållas från: Techtronic Industries GmbH, Max-Eyth-Strasse 10, 71364 Winnenden, Germany.

## CE-FÖRSÄKRAN

Vi tar på vårt ansvar att produkten som har beskrivits under Tekniska data uppfyller alla relevanta villkor i direktiven

2011/65/EU (RoHS)

2006/42/EG

2014/30/EU

samt att följande harmoniserade standarder har använts.

EN 62841-1:2015

EN 62841-3-9:2015+A11:2017

EN 55014-1:2017

EN 55014-2:2015

EN 61000-3-2:2014

EN 61000-3-11:2000

EN IEC 63000:2018



Winnenden, 2019-03-08

Alexander Krug / Managing Director  
Befullmäktigad att sammanställa teknisk dokumentation.

Techtronic Industries GmbH  
Max-Eyth-Strasse 10, 71364 Winnenden, Germany

## SYMBOLER



OBSERVERA! VARNING! FARA!



Drag alltid ur kontakten när du utför arbeten på maskinen.



WARNING-För att minska risken för personskador måste användare läsa instruktionsboken!



Använd alltid skyddsglasögon.



Använd hörselskydd!



Bär skyddshandskar!



Se till att du aldrig kommer med händerna i närheten av sågbladet.



Aggregatet är endast lämpad att användas inomhus, För ej utsätts för regn.



Stoffficka anslutningsport



Såga endast trä.



Titta aldrig in i laserstrålen.



Denna produkt stämmer överens med laserklass 2 enligt EN 60825-1:2014.



Sågklinga- $\varnothing$  x hål- $\varnothing$



Rotationsriktning



Sågbladständer



Skärbredd



Tomgångsvarvtal, obelastad



Spänning



Växelström



Elverktyg skyddsklass II. Elverktyg hos vilket skyddet mot elstötar inte bara är avhängigt av basisoleringen utan också av att det finns extra skyddsåtgärder, som en dubbel isolering eller en förstärkt isolering.


Det finns ingen anordning för anslutning av en skyddsledare.



Elektriska maskiner och elverktyg som kasseras får inte slängas tillsammans med de vanliga hushållsoporna.

Elektriska maskiner och verktyg samt elektronisk utrustning som kasseras ska samlas separat och lämnas till en avfallsstation för miljövänlig avfallshantering. Kontakta den lokala myndigheten respektive kommunen eller fråga återförsäljare var det finns speciella avfallsstationer för elskrot.

Svenska

 Europeiskt konformitetsmärke

 Ukrainskt konformitetsmärke

 Euroasiatiskt konformitetsmärke



TEKNISET ARVOT	PS 216 L	PS 254 L
<b>Katkaisu- ja jiirisaha *</b>		
Tuotantomerkki	4699 98 01 ... ... 000001-999999	4699 99 01 ... 4740 22 01 ... ... 000001-999999
Nimellinen teho	220-240 V, 50 HZ, 1400W, 6,5 A	220-240 V, 50 HZ, 1800W, 8,7 A
Kuormittamaton kierrosnopeus	5000 min <sup>-1</sup>	4500 min <sup>-1</sup>
Sahanterän ø x reiän ø	216 x 30 mm	254 x 30 mm
Sahanterän paksuus maks.	1,6 mm	1,8 mm
Sahanterän hammastuksen paksuus min.	2,4 mm	2,6 mm
Leikkausteho enint.		
Viistekulma 0° / Kaltevuuskulma 0°	65 x 305 mm	90 x 305 mm
Viistekulma 45° / Kaltevuuskulma 0°	65 x 215 mm	90 x 215 mm
Viistekulma 0° / Kaltevuuskulma 45° ↘	36 x 305 mm	50 x 305 mm
Viistekulma 45° / Kaltevuuskulma 45° ↘	36 x 215 mm	50 x 215 mm
Paino EPTA-menetelmän 01/2014 mukaan	16,7 kg	19,6 kg
<b>Melunpäästö tiedot</b>		
Mitta-arvot määritetty EN 62841 mukaan. Koneen tyyppillinen A-luokitettu melutaso:		
Melutaso (Epävarmuus K=3dB(A))	99,27 dB (A)	95,15 dB (A)
Äänivoimakkuus (Epävarmuus K=3dB(A))	112,27 dB (A)	108,15 dB (A)
<b>Käytä kuulosuojaimia!</b>		

\*PS ≙ Katkaisu- ja jiirisaha

## VAROITUS!

Ilmoitettu (ilmoitetut) melupäästöarvo(t) on mitattu standarditestimenetelmällä SFS-EN 62841-1:en ja SFS-EN 62841-3-9:en mukaisesti ja sitä voidaan käyttää työkalun vertailemiseen toisen työkalun kanssa. Ilmoitettua (ilmoitettuja) melupäästöarvo(a)-arvoja voidaan myös käyttää alustavaan altistuksen arviointiin.

Sähkötyökalun käytön aikainen todellinen melupäästö voi poiketa ilmoitetuista arvoista riippuen työkalun käyttötavoista ja erityisesti työstettävästä työkalusta.

Selvitä ne käyttäjä suojelavat turvallisuusmenetelmät, jotka perustuvat altistusarvioon todellisissa käyttöolosuhteissa (huomioiden kaikki käyttösyklin osat, kuten työkalun sammuksajat ja tyhjääntiajat kytkentäaikaisten lisäksi).

Käytä korvasuojia. Melulle altistuminen voi heikentää kuuloa.

**VAROITUS** Lue kaikki varoimenpiteet, ohjeet, kuvalliset esitykset ja tiedot, jotka toimitetaan laitteen mukana. Ellet noudata seuraavia ohjeita, saattaa se johtaa sähköiskuun, tulipaloon ja/tai vaikeisiin loukkautumisiin. Säilytä kaikki turvallisuus- ja muut ohjeet tulevaisuutta varten.

## JIIRISAHAN KÄYTTÖOHJEET

**a) Jiirisaha on tarkoitettu puun ja puun kaltaisten materiaalien leikkaamiseen, eikä jiirisahaan tule lisätä hankaavia teriä rautapitoisten materiaalien, kuten pulttien, tankojen, harkkojen ym. hiomista varten.** Hiomisesta syntyvä pöly aiheuttaa liikkuvien osien, kuten alasuojan jumittumisen. Hiomisen yhteydessä syntyneet kipinät polttavat alasuojan, tukilevyt ja muut muoviosat.

**b) Käytä ruuvipuristinta tukemaan työstettävää osaa aina kun se on mahdollista. Mikäli työstettävää osaa pidetään kädessä, kädet on pidettävä aina vähintään 10cm päässä sahan terästä. Älä työstä tällä sahalla osia, jotka ovat liian pieniä ruuvipuristimeen tai kädessä pitämiseen.** Jos kätesi ovat liian lähellä sahan terää, kätesi saattaa osua terään ja tapahturmariski kasvaa.

**c) Työstettävän osan tulee aina olla hyvin paikoillaan ja pultattuna tai tuettuna suojusta ja työpöytä vasten. Älä koskaan työnnä työstettävää osaa huolimattomasti terää kohti tai ilman että työstetty osa on kunnolla tuettu.**

Huonosti kiinnitetyt tai irtonaiset osat saattavat sinkoutua terästä ja aiheuttaa vahinkoja.

**d) Työnnä saha työstettävän osan läpi. Älä vedä sahaa työstettävän osan läpi. Nosta paikoillaan olevaa sahan terää ja vedä se työstettävän osan yli. Kytke laite päälle, paina sahanterä alas ja työnnä se työstettävän osan yli.** Jos yrität vetää sahaa työstettävän osan yli, sahanterä saattaa hypätä työstettävän osan päälle ja heittää terän voimakkaasti kohti laitteen runkoa.

**e) Älä koskaan aseta käsiäsi leikkausviivalle sahanterän eteen tai taakse.** Työstettävän osan käsin tukeminen niin, että kätesi ovat ristissä, eli pidät työstettävää osaa vasemmalla kädellä sahan oikealla puolella tai toisin päin, on erittäin vaarallista.

**f) Älä työnnä käsiäsi suojuksen yli 10 cm lähemmäksi terää poistaaksesi leikkausjätteitä tai minkään muunkaan syyn takia, kunnes terä on täysin pysähtynyt.** Et välttämättä huomaa kuinka lähellä kätesi ovat sahanterää ja saatat loukkaantua pahasti.

**g) Tarkasta työstettävä osa ennen leikkaamista. Jos työstettävä osa on vino tai kiero, ruuvaa se niin, että sen kumara osa on suojusta vasten. Varmista aina, että työstettävän osan leikkauslinja on kiinni suojuksessa ja leikkaustasossa. Vinot tai kierot osat saattavat pyöriä tai liikkua, joka saattaa johtaa osan juuttumiseen sahanterään leikkaamisen aikana.**

**h) Älä käytä sahaa ennen kuin olet siivonnut pöydältä kaikki muut työkalut, puuosat ym. työstettävää osaa lukuun ottamatta. Jos pienet roskat, puupalat tai muut esineet joutuvat kosketuksiin liikkuvan terän kanssa, ne saattavat sinkoutua voimakkaasti terästä.**

**i) Leikkaa aina vain yksi osa kerrallaan.** Sahaa ei saa käyttää useamman osan leikkaamiseen kerralla, koska useampaa osaa ei saa kiinnitetty kunnolla paikoilleen ja tämä saattaa johtaa terän jumittumiseen tai vääntymiseen leikkaamisen aikana.

**j) Varmista ennen käyttöä, että jiirisaha on kiinnitetty tasaiselle ja tukevalle alustalle.** Tasaisen ja tukevan alustan avulla varmistetaan, että jiirisaha on tukevasti paikoillaan.

**k) Suunnittele leikkausprosessi huolellisesti. Aina, kun muutat terän kulmaa tai linjaa varmista, että muunneltava suojuus on oikealla kohdalla ja tukee työstettävää osaa, muttei häiritse terää tai suojuusjärjestelmää.** Ennen kuin käännät laitteen päälle ja asetat työstettävän osan leikkaustasolle, liikuta sahanterää leikkaurassa varmistaaksesi, ettei terän tiellä ole esteitä, eikä se osu suojuukseen.

**l) Mikäli työstettävä osa on suurempi kuin leikkaustaso, tue työstettävää osaa esimerkiksi jatkettavan pöydän, sahapukin ym. avulla.** Työstettävät osat, jotka ovat suurempia kuin leikkaustaso saattavat kaatua, ellei niitä ole asianmukaisesti tuettu. Jos leikattu pala tai työstettävä osa kaatuu, se saattaa irrottaa alemman suojuksen tai se saattaa sinkoutua liikkuvasta terästä.

**m) Älä pyydä tukialustan sijaan toista henkilöä pitämään työstettävää osaa paikoillaan tai tukemaan sitä.** Jos työstettävää osaa ei tueta riittävän hyvin, sahanterä saattaa jumittua tai työstettävä osa saattaa liikkua leikkaamisen aikana ja vetää sinua ja osaa kannattelevaa henkilöä kohti terää.

**n) Leikattua osaa ei saa painaa tai työntää väkisin liikkuvaa terää vasten.** Ahtaassa tilassa, esimerkiksi mittalaitetta käyttäessä, leikattu osa saattaa jäädä jumiin terää vasten ja sinkoutua voimakkaasti.

**o) Kun työstät pyöreitä osia, kuten tankoja tai putkia, käytä aina ruuvipuristinta tai muuta asianmukaista apuvälinettä pitämään osaa paikallaan.** Pyöreillä esineillä on taipumus pyöriä leikkaamisen aikana, mikä saattaa johtaa terän jumittumiseen ja vetää kättäsi terää kohti.

**p) Anna terän kiihtyä täyteen nopeuteen ennen kuin aloitat leikkaamisen.** Tämä ehkäisee työstettävän osan sinkoutumisen vaaraa.

**q) Mikäli työstettävä osa tai terä jää jumiin, käännä jiirisaha pois päältä. Odota, kunnes kaikki liikkuvat osat ovat pysähtyneet, irrota töpseli seinästä ja/tai irrota akku. Irrota tämän jälkeen jumittunut materiaali terästä.** Jos jatkat jumittuneen osan sahaamista, saatat menettää sahan hallinnan tai vioittaa jiirisahaa.

**r) Leikkaamisen jälkeen käännä katkaisija pois päältä, pidä saha alhaalla ja odota, kunnes sahanterä on pysähtynyt ennen kuin irrotat leikatun osan.** Käden laittaminen liikkuvan terän lähelle on vaarallista.

**s) Pidä kahvasta tiukasti kiinni, kun leikkaat työstettävää osaa vain osittain tai jos käännät katkaisijan pois päältä ennen kuin sahanterä on täysin alhaalla.** Kun terä jarruttaa, saha saattaa yhtäkkiä vetää alaspäin ja aiheuttaa vahinkoja.

## PUUNSAHAUSTERÄ TURVALLISUUSOHJEET

Lue käyttöopas ja ohjeet huolellisesti ennen sahanterän ja koneen käyttöä.

Koneen on oltava hyvässä kunnossa, karan ilman epämuodostumia ja tärinää.

Älä käytä sahaa, jos suojuukset eivät ole paikallaan. Pidä suojuukset hyvässä kunnossa ja asianmukaisesti huollettuna.

Varmista, että käyttäjällä on riittävästi koulutusta turvatoimiin, säätöön ja koneen käyttöön liittyen.

Käytä aina suojalaseja ja kuulosuojaimia konetta käytettäessä. On suositeltavaa käyttää käsineitä, tukevia luistamattomia kenkiä ja esiliinaa.

Lue käyttöopas ennen lisävarusteiden käyttöä. Lisävarusteiden väärä käyttö voi aiheuttaa vaurioita ja lisätä loukkaantumisten mahdollisuutta.

Käytä vain tässä käyttöoppaassa määriteltyjä teriä, jotka vastaavat standardia EN 847-1.

Huomioi sahanterään merkitty maksiminopeus. Varmista, että sahanterään merkitty nopeus on vähintään sama kuin sahaan merkitty nopeus.

Käytä aina oikean kokoisia ja kiinnitysliappaan sopivia sahanteriä. Sahanterät, jotka eivät sovi sahan asennusosiin pyörivät epäkeskeisesti ja johtavat sahan hallinnan menettämiseen.

Älä käytä teriä, joiden halkaisija on suositeltua suurempi tai pienempi. Älä käytä välikappaleita sovitaksesi terää karalle.

Tarkista sahanterän kärjet vaurioiden ja epänormaalien ulkonöön varalta ennen jokaista käyttökertaa. Vahingoittuneista tai irrallisista kärjistä voi tulla käytössä lentävä esineitä ja ne lisäävät henkilövahinkojen mahdollisuutta.

Rikkinäisiä sahanteriä tai sellaisia, jotka ovat muuttaneet muotoaan ei saa käyttää! Älä käytä sahanteriä, jotka ovat vahingoittuneet tai vääntyneet.

Poista sahanterät käytöstä, jos ne ovat vaurioituneita, vääntyneitä, vääristyneitä tai murtuneita, korjaaminen ei ole sallittua.

Ei saa käyttää pikateräksestä valmistettuja sahanteriä.

Varmista, että sahanterä on kiinnitetty oikein, kiristä karamutteria tiukasti ennen käyttöä (kiristysmomentti n. 12 Nm).

Kiinnitysruuvi ja mutterit on kiristettävä käyttämällä asianmukaista avainta jne.

Avaimen jatkaminen tai kiristäminen vasaran iskuilla ei ole sallittua.

Varmista, että terä ja laipat ovat puhtaat ja että kauluksen uurrettu puolet ovat terää vasten.

Varmista, että terä pyörii oikeaan suuntaan.

Tee ennen työskentelyn aloittamista testileikkaus ilman, että moottori on kytketty päälle, jotta voit tarkistaa terän asennon, suojusten toiminnan suhteessa muihin koneen osiin ja työkaluun.

Älä jätä konetta koskaan ilman valvontaa.

Älä levitä terälle voiteluainetta sen ollessa käynnissä.



Älä koskaan suorita puhdistus- tai ylläpitöitä, kun kone on vielä käynnissä, eikä sen pää ole lepoasennossa.

Älä koskaan yritä pysäyttää liikkeessä olevaa konetta nopeasti asettamalla työkalua tai muuta terää vasten, siitä voi aiheutua tahattomasti vakavia onnettomuuksia.

Irrota saha sähköverkosta tai irrota akku ennen terien vaihtoa ja huoltotoimia.

Kiinnitä huomiota terän pakkaamiseen ja purkamiseen, teräviin terän kärkiin on helppo loukata itsensä.

Käytä teränpidintä tai käsineitä, kun käsittelet sahanterää.

Säilytä terä aluperäisessä pakkauksessa tai muussa sopivassa pakkauksessa, pidä kuivissa olosuhteissa ja loitolla kemikaaleista, jotka voivat vahingoittaa terää.

## TÄYDENTÄVIÄ TURVALLISUUSMÄÄRÄYKSIÄ JA TYÖSKENTELYOHJEITA

Kiinnitä työkalu aina turvallisesti ja varmasti.

Varmista, että kone seisoo aina tukevasti paikallaan (esim. kiinnittämällä se ruuvipenkkiin)..

Käytä korvasuojia. Melulle altistuminen voi heikentää kuuloa.

Käytä aina suojalaseja käyttäessäsi konetta.. On suositeltavaa käyttää käsineitä teriä ja karkeita materiaaleja käsiteltäessä, sekä tukevia liukumattomia kenkiä, jotka myös suojaavat jalkoja leikkausalueelta mahdollisesti putoavilta työkaluilta.

Varmista aina, että virtapistoke on irrotettu virtalähteestä ennen tuotteella tehtäviä säätöjä, voitelua tai huoltotoimia.

Varmista, että kone on sammutettu ennen kytkemistä sähköverkkoon.

Älä koskaan vie kättä lähelle terää ennen kuin se on kokonaan pysähtynyt.

Tarkista työkalu huolellisesti ennen käyttöä vaurioiden ja materiaalin väsymisen varalta. Anna ainoastaan alan ammattihenkilön korjata viralliset osat.

Laitteen suojaruosteita on ehdottomasti käytettävä. Älä käytä konetta, jos suojukset eivät ole paikallaan ja toimi oikein.

Alemman teräsuojuksen tulisi aua ainoastaan, kun terä lasketaan työkalupalleelle. Sen liikkeen on oltava aina esteetöntä ja sen on sulkeuduttava automaattisesti..

Kiinnitä ja käytä jatkopalapidikettä tukeaksesi työkalupalletta työskentelyn aikana.

Älä koskaan muuta tai muokkaa sahaa tai sen toimintaa. Se voi vaarantaa turvallisuuttasi.

Älä käytä sahanterää, jotka ovat murtuneita, vaurioituneita tai väänntyneitä.

Ei saa käyttää pikateräksestä valmistettuja sahanterää.

Käytä vain teräviä sahanterää. Vaihda tylsät terät uusiin.

Käytä aina oikean kokoisia ja kiinnityslaippaan sopivia sahanterää.

Sahanterät, jotka eivät sovi sahan asennusosiin pyörivät epäkeskeisesti ja johtavat sahan hallinnan menettämiseen.

Käytä vain tässä käyttöoppaassa määritellyjä puunytöstöterää, jotka vastaavat standardia EN 847-1.

Älä käytä muita kuin mukana toimitettuja tai käyttöoppaassa ilmoitettuja laippoja, aluslaattoja tai muttereita varmistamaan sahanterää.

Valitse sahattavalle materiaalille sopiva sahanterä. Älä koskaan käytä tuotetta muiden kuin tässä käyttöoppaassa määritellyjen tarkoituksenmukaisten materiaalien leikkaamiseen.

On tärkeää, että vältät terän ylikuumenemistä ja muovisen työkalupaleen sulamista leikatessa.

Sahanterään merkittyä suurinta kierroslukua ei saa ylittää. Käytä ainoastaan sahanterää, joihin merkitty nopeus vastaa tai ylittää työkalun nopeusmerkinnän.

Vaihda kulunut tai vahingoittunut pöytäosa uuteen.

Tee ennen työskentelyä aloittamista testileikkaus ilman, että moottori on kytketty päälle, jotta voit tarkistaa terän asennon, suojusten toiminnan suhteessa muihin koneen osiin ja työkalupaleen.

Viistekulmaa, vinoa reunaa tai liitoskulmaa leikattaessa säädä liukuva este varmistamaan oikea terän etäisyys.

Käytä aina rajoitinta tuotetta siirtäessäsi.

Pidä lattia puhtaana materiaali-jätteistä, esim. purusta ja sahausjätteistä.

Älä poista sahausjätteitä tai muita työkalupaleiden paloja sahausalueelta, kun kone käy eikä sahan pää ole lepoasennossa.

Pitkiä työstökappaleita tulee tukea sopivien toimien. Sahan työskentelyalueeseen kuuluu koko työkalupaleen laajuus. Käyttäjän on varmistettava tämä alue tahattomalta kosketukselta työkalupalletta käytön aikana siirtävien muiden henkilöiden tai esineiden kanssa.

Työstössä syntynyt pöly saattaa olla terveydelle vahingollista, joten sen koskettaminen tai hengittäminen tulisi välttää. Liitä kone kohdeimujärjestelmään ja käytä sopivaa pölysuojaa kasvoilla. Poista laskeutunut pöly huolellisesti esimerkiksi pölynimurilla.

Älä koskaan korvaa LEDiä tai laseria erillisellä tyyppillä. Valmistajan tai valtuutetun huoltoliikkeen on suoritettava mahdolliset korjaustyöt.

Virtapiikki aiheuttaa jännitteen heilahtelua ja voi vaikuttaa muihin samaan syöttöverkkoon kytkettyihin tuotteisiin. Minimoidaksesi jänniteheilahtelun kytke tuote pistorasiaan, jonka impedanssi on 0,3 Ω. Lisätietoja saa sähkötyöltä.

## TURVALLISUUSOHJEET LASER

Tässä sahasa käytetty lasersäteily kuuluu luokkaan II, maksimi  $P \leq 1\text{mW}$  ja  $\lambda$ : 650nm aallonpituuksilla. Älä tarkastele suoraan optisilla laitteilla. Säätöjen laiminlyönti voi aiheuttaa vakavia henkilövahinkoja.

Älä tuijota säteeseen käytön aikana.

Älä heijasta lasersädettä suoraan muiden silmiin. Tämä voi aiheuttaa vakavia silmävammoja.

Älä aseta laseria asentoon, jossa muut voivat tuijottaa lasersäteeseen tahallaan tai tahattomasti.

Älä käytä optisia välineitä lasersäteen tarkasteluun.

Älä käytä laseria lasten lähettyvillä tai anna lasten käyttää laseria.

Älä yritä korjata laserlaitetta itse.

Älä yritä vaihtaa laserlaitteeseen mitään osia itse.

Valmistajan tai valtuutetun huoltoliikkeen on suoritettava mahdolliset korjaustyöt.

Älä vaihda sisäänrakennettua laseria toisentyyppiseen laseriin.

## TARKOITUKSEN MUKAINEN KÄYTTÖ

Yhdistelmäjiirisaha on tarkoitettu kiinteän ja liimatun puun, liimatuilla viiluilla tai ilman, muovien ja puuta muistuttavien materiaalien sahaamiseen.

Yhdistelmäjiirisaha on tarkoitettu käytettäväksi vain aikuisten käyttäjien toimesta, jotka ovat lukeneet käyttöohjeet ja ymmärtävät riskit ja vaarat.

Yhdistelmäjiirisaaha on suunniteltu kiinnitettäväksi jalustastaan kiinteään penkkiin. Jos alusta ei ole kiinnitetty varmsti, koko kone voi liukua leikkaamisen aikana, mikä lisää vakavien henkilövahingojen mahdollisuutta.

Yhdistelmäjiirisaaha on suunniteltu tekemään viisto- ja jiirileikkauksia. Erilaiset leikkausmahdollisuudet on ilmoitettu tämän käyttöoppaan tuotetiedoissa.

Yhdistelmäjiirisaaha on käytettävä kuivissa olosuhteissa, erinomaisessa valaistuksessa ja asianmukaisesta ilmanvaihdosta huolehtien.

Yhdistelmäjiirisaaha on tarkoitettu kuluttajakäyttöön ja sitä tulisi käyttää vain aiemmin mainitulla tavalla. Sitä ei ole tarkoitettu mihinkään muuhun käyttötarkoitukseen.

## JÄÄMÄRISKIT

Vaikka yhdistelmäjiirisaaha käytetään määritetyllä tavalla, tiettyjä jäljellä olevia riskitekijöitä on mahdotonta eliminoida täysin.

Seuraavia vaaroja voi syntyä ja käyttäjän on kiinnitettävä erityistä huomiota seuraavien välttämiseen:

- Pyörivän sahanterän suojaamattomien osien kontaktin riski.
- Väärästä säädöstä tai käsittelystä aiheutuva työkappaleiden tai työkappaleiden osien takapotku.
- Viallisten karbidikärkien sinkoutuminen sahanterästä.
- Vahingot hengityselimille.

HUOMAA: Käytä hengityssuojainmaskeja, joissa on työstettävälle materiaalille sopivat suodattimet.

Varmista työpaikan asianmukainen ilmanvaihto. Älä syö, juo tai tupakoi työalueella.

Tehokkaiden kuulosuojainten käyttämättä jättäminen vaurioittaa kuuloa.

## VAROITUS

Tiettyjen maalien, pinnoitteiden ja materiaalien pöly voi aiheuttaa hengitysteiden ärsytystä tai allergisia reaktioita. Puupöly, kuten tammen, pyökin, MDF:n jne. pöly aiheuttaa syöpää. Asbestia sisältäviä materiaaleja saa työstää tai käsitellä vain ammattitaitoinen käyttäjä.

## VAROITUS

Työkalan pitkittynyt käyttö voi aiheuttaa tai pahentaa vammoja. Jos käytät työkalua pidempää aikoa, muista pitää säännöllisesti taukoja.

## TUNNE TUOTTEESI

Katso sivu A.

- |                                    |                                 |
|------------------------------------|---------------------------------|
| 1. Kahva, eristetty tarttumispinta | 14. Lukitusleuka                |
| 2. Virtakytkin                     | 15. Viistekulman lukitusvipu    |
| 3. Turvalukkoviip                  | 16. Liukuva suojus              |
| 4. Ulompi laippa                   | 17. Työkappaleen pidike         |
| 5. Sahanterä                       | 18. Jatkopala                   |
| 6. Alempi suojus                   | 19. Asennusreiat x 4            |
| 7. Kiinteä suojus                  | 20. Kääntöpöytä                 |
| 8. Sahausrakolevy                  | 21. Viisteasteikko              |
| 9. Kääntöpöydän lukkokahva         | 22. 45° viistekulman säätöruuvi |
| 10. Yläkahva                       | 23. 90° viistekulman säätöruuvi |
| 11. Ylempi suojus                  | 24. LED-kytkin                  |
| 12. Pölykouru                      | 25. Laserkytkin                 |
| 13. Lineaaritangon pysäytysnappi   | 26. Karan rajoitinpainike       |
|                                    | 27. Leikkusyvyyden säätölevy    |
|                                    | 28. Leikkusyvyyden säätönappi   |

## VAROOSALUETTELO

- PS 216 L: Katkaisu- ja jiirisaaha EN 847-1/ ø216 x ø30 x 2,4 / 48T / HW / n maks. 7000 min-1 (Sivu A: No. 5)
- PS 254 L: Katkaisu- ja jiirisaaha EN 847-1/ ø254 x ø30 x 2,6 / 48T / HW / n maks. 7400 min-1 (Sivu A: No. 5)
- KSahausrakolevy (Sivu A: No. 8)

## VERKKOLIITÄNTÄ

Yhdistä ainoastaan yksivaiheiseen vaihtovirtaan, jonka verkkojännite on sama kuin tyyppikilvessä ilmoitettu. Myös liittäminen maadoittamattomiin pistorasioihin on mahdollista, sillä rakenne vastaa turvallisuuksuokkaa II.

Ulkokäytössä olevat pistorasiat on varustettava vikavirta-suojakytkimillä (FI, RCD PRCD) sähkölaitteistosi asennusmääräyksen mukaisesti. Muista tarkistaa, että laite liitetään ulkokäytössä ulkopistorasiaan ja neuvottele asiasta sähköasentajasi kanssa. Varmista, että kone on sammutettu ennen kytkemistä sähköverkkoon.

Pidä sähköjohto poissa koneen käyttöalueelta. Siirrä se aina taakseen.

Tarkista ennen jokaista käyttökertaa, ettei laitteessa, liitäntäjohdossa, jatkohjohdossa ja pistotulpassa ole vaurioita eikä niissä ole tapahtunut muutoksia. Viallisia osia saa korjata vain alan ammattilainen.

Virtapiikki aiheuttaa jännitteen heilahtelua ja voi vaikuttaa muihin samaan syöttöverkkoon kytkettyihin tuotteisiin. Minimoidaksesi jänniteheilahtelun kytke tuote pistorasiaan, jonka impedanssi on 0,3 Ω.

Lisätietoja saa sähkötyötiöltä.

## HUOLTO

Älä muuta tätä sahaa millään tavalla tai käytä lisävarusteita, joita valmistaja ei ole hyväksynyt. Se voi vaarantaa sinun ja muiden turvallisuuden.

Älä käytä sahaa, jos sen kytkimet, suojukset tai muut toiminnot eivät toimi tarkoituksenmukaisesti. Käänny valtuutetun palvelukeskuksen puoleen ammattimaista korjausta ja säätöä varten.

Älä tee mitään säätöjä silloin, kun sahanterä on liikkeessä.

Varmista aina, että virtapistoke on irrotettu virtalähteestä ennen tuotteella tehtäviä säätöjä, voitelua tai huoltotoita.

Tarkista ennen käyttöä ja sen jälkeen saha vaurioiden ja rikkinäisten osien varalta ja pidä se huippukunnossa korvaamalla osat välittömästi varaosilla, jotka ovat valmistajan hyväksymiä.

Terä on käytön jälkeen erittäin kuuma, käytä käsiineitä tai anna jäähtyä ennen huoltoa tai puhdistusta.

Siivoa kertynyt pöly pois harjalla tai pölynimurilla. Älä käytä paineilmaa.

Jotta turvallisuus ja luotettavuus voidaan taata, kaikki korjaustyöt, mukaan lukien harjojen vaihto, tulisi suorittaa vain valtuutetun palvelukeskuksen toimesta.

Puhdista laite ja suojavarusteet kuivalla liinalla.

Pidä moottorin ilmanottoaukot puhtaina.

Syöttöketjun vaihdon ollessa tarpeen, toteuttaa valmistaja tai sen edustaja vaihdon turvallisuusriskien ehkäisemiseksi.

Käytä vain AEG:n lisälaitteita ja varaosia. Käytä ammattitaitoisten AEG-huoltosopimusliikkeiden palveluja muiden kuin käyttöohjeessa kuvattujen osien vaihdossa. (esite takuu/ huoltoliikeluettelö).

Tarpeen vaatiessa voit pyytää lähettämään laitteen kokoonpanonipruuksen ilmoittamalla arvokilven numeron seuraavasta osoitteesta: Techtronic Industries GmbH, Max-Eyth-Straße 10, 71364 Winnenden, Germany.



Suo

## TODISTUS CE-STANDARDINMUKAISUUDESTA

Vakuutamme täten olevamme yksin vastuussa siitä, että kohdassa "Tekniset tiedot" kuvattu tuote vastaa kaikkia direktiivien merkityksellisiä säädöksiä

2011/65/EU (RoHS)

2006/42/EY

2014/30/EU

ja seuraavia yhdenmukaistettuja standardeja on käytetty.

EN 62841-1:2015

EN 62841-3-9:2015+A11:2017

EN 55014-1:2017

EN 55014-2:2015

EN 61000-3-2:2014

EN 61000-3-11:2000

EN IEC 63000:2018



Winnenden, 2019-03-08

Alexander Krug / Managing Director  
Valtuutettu kokoamaan tekniset dokumentit.

Techtronic Industries GmbH  
Max-Eyth-Straße 10, 71364 Winnenden, Germany

## SYMBOLIT



HUOMIO! VAROITUS! VAARA!



Irrota aina pistotulppa seinäkoskettimesta ennen koneeseen tehtäviä toimempiteitä.



VAROITUS-Vahinkovaaran vähentämiseksi käyttäjän on luettava käyttöohjeet!



Käytä laitteella työskennellessäsi aina suojalaseja.



Käytä kuulosuojaimia!



Käytä suojakäsineitä!



Älä koskaan vie käsiäsi sahanterän alueelle.



Työkalu käytettävä sisätiloissa. Suojeltava sateelta.



Pölykouru liitännäportti



Sahaa vain puuta.



Älä katso lasersäteeseen



Tuote vastaa laserluokkaa 2 standardin EN 60825-1:2014 mukaan.



Sahanterän  $\varnothing$  x reiän  $\varnothing$



Pyörimissuunta



Terän hampaat



Leikkausleveys

**n<sub>0</sub>**

Kuormittamaton kierrosnuku

**V**

Jännite



Vaihtovirta



Suojaluokan II sähkötyökalu. Sähkötyökalu, jonka sähköiskunsuojaus ei ole riippuvainen ainoastaan peruseristyksestä, vaan myös siitä, että käytetään lisäturvatoimia, kuten kaksinkertaista eristystä tai vahvistettua eristystä.

Laitteessa ei ole suojajohtimen liittämiseen tarvittavia varusteita.



Sähkölaitteita ei saa hävittää yhdessä kotitalousjätteiden kanssa. Sähkö- ja elektroniset laitteet tulee kerätä erikseen ja toimittaa kierrätysliikkeeseen ympäristöystävällistä hävittämistä varten. Pyydä paikallisilta viranomaisilta tai alan kauppiailta tarkemmat tiedot kierrätyspisteistä ja keräyspaikoista.



Euroopan säännönmukaisuusmerkki



Ukrainan säännönmukaisuusmerkki



Euraasian säännönmukaisuusmerkki

Suomi



ΤΕΧΝΙΚΑ ΣΤΟΙΧΕΙΑ ΣΤΑΘΕΡΟ ΔΙΣΚΟΠΡΙΟΝΟ *	PS 216 L	PS 254 L
Αριθμός παραγωγής	4699 98 01 ... ... 000001-999999	4699 99 01 ... 4740 22 01 ... ... 000001-999999
Όνομαστική ισχύς	220-240 V, 50 HZ, 1400W, 6,5 A	220-240 V, 50 HZ, 1800W, 8,7 A
Αριθμός στροφών χωρίς φορτίο	5000 min <sup>-1</sup>	4500 min <sup>-1</sup>
Διάμετρος λεπίδας πριονιού x διάμετρος διάτρησης	216 x 30 mm	254 x 30 mm
Πάχος σώματος πριονολεπίδας Μέγ.	1,6 mm	1,8 mm
Πάχος οδόντωσης πριονολεπίδας Ελάχισ.	2,4 mm	2,6 mm
Μέγιστη ισχύς κοπής Φαλτογωνία 0°/ Κλίση 0° Φαλτογωνία 45°/ Κλίση 0° Φαλτογωνία 0°/ Κλίση 45° Φαλτογωνία 45°/ Κλίση 45°	65 x 305 mm 65 x 215 mm 36 x 305 mm 36 x 215 mm	90 x 305 mm 90 x 215 mm 50 x 305 mm 50x 215 mm
Βάρος σύμφωνα με τη διαδικασία EPTA 01/2014	16,7 kg	19,6 kg
<b>Πληροφορίες θορύβου</b> Τιμές μέτρησης εξακριβωμένες κατά EN 62841. Η σύμφωνη με την καμπύλη A εκτιμήθεται στάθμη θορύβου του μηχανήματος αναφέρεται σε: Στάθμη ηχητικής πίεσης (Ανασφάλεια K=3dB(A)) Στάθμη ηχητικής ισχύος (Ανασφάλεια K=3dB(A)) <b>Φοράτε προστασία ακοής (ωτασπίδες)!</b>	99,27 dB (A) 112,27 dB (A)	95,15 dB (A) 108,15 dB (A)

\*PS ≙ ΣΤΑΘΕΡΟ ΔΙΣΚΟΠΡΙΟΝΟ

### ΠΡΟΕΙΔΟΠΟΙΗΣΗ!

Οι αναφερόμενες τιμές εκπομπής θορύβου έχουν μετρηθεί σύμφωνα με μια τυπική μέθοδο δοκιμών κατά τα πρότυπα EN 62841-1 και EN 62841-3-9 και μπορούν να χρησιμοποιηθούν για τη σύγκριση εργαλείων μεταξύ τους. Οι αναφερόμενες τιμές εκπομπής θορύβου μπορούν επίσης να χρησιμοποιηθούν σε μια προκαταρκτική αξιολόγηση της έκθεσης.

Οι εκπομπές θορύβου κατά τη διάρκεια της πραγματικής χρήσης του ηλεκτρικού εργαλείου μπορεί να διαφέρουν από τις αναφερόμενες τιμές, ανάλογα με τον τρόπο με τον οποίο χρησιμοποιείται το εργαλείο, ιδιαίτερα από το είδος του υλικού προς επεξεργασία.

Ορίστε μέτρα ασφαλείας για την προστασία του χειριστή τα οποία να βασίζονται σε μια εκτίμηση της έκθεσης στις πραγματικές συνθήκες χρήσης (λαμβάνοντας υπόψη όλα τα μέρη του λειτουργικού κύκλου, όπως τις φορές απενεργοποίησης του εργαλείου και το πότε λειτουργεί χωρίς φορτίο πέρα από τους χρόνους ενεργοποίησης της σκανδάλης).

Φοράτε ωτασπίδες. Η επίδραση του θορύβου μπορεί να προκαλέσει απώλεια ακοής.

**⚠ ΠΡΟΕΙΔΟΠΟΙΗΣΗ Διαβάστε όλες τις υποδείξεις ασφαλείας, τις οδηγίες, τις εικόνες και τα δεδομένα, τα οποία θα λάβετε μαζί με το μηχανήμα.** Η μη τήρηση των οδηγιών που ακολουθούν, μπορεί να οδηγήσει σε ηλεκτροπληξία, φωτιά και/ή σε σοβαρούς τραυματισμούς.

**Φυλάξτε όλες τις προειδοποιητικές υποδείξεις και οδηγίες για κάθε μελλοντική χρήση.**

### ⚠ ΟΔΗΓΙΕΣ ΑΣΦΑΛΕΙΑΣ ΓΙΑ ΦΑΛΤΣΟΠΡΙΟΝΑ

**α) Τα φαλτσοπρίονα προορίζονται για την κοπή ξύλου ή προϊόντων απομίμησης ξύλου και δεν επιτρέπεται να χρησιμοποιούνται σε συνδυασμό με τροχούς λείανσης για την επεξεργασία σιδηρούχων υλικών, όπως ράβδων, ντιζών, δοκών κ.λπ. Η σκόνη από τη λείανση προκαλεί εμπλοκή σε κινητά μέρη, όπως στον παλινδρομικό προφυλακτήρα. Οι σπινθήρες από τη λείανση μπορεί να κάψουν τον παλινδρομικό προφυλακτήρα, το ένθετο εγκοπής στην πλάκα στήριξης και άλλα πλαστικά μέρη.**

**β) Χρησιμοποιήστε σφιγκτήρες, όπου είναι δυνατό, για να ακινητοποιήσετε το προς καταργασία τεμάχιο.**

**Αν ακινητοποιήσετε το προς καταργασία τεμάχιο με το χέρι, βεβαιωθείτε ότι το χέρι σας βρίσκεται πάντα σε απόσταση τουλάχιστον 100 mm από την κάθε πλευρά του πριονόδισκου. Μη χρησιμοποιείτε αυτό το φαλτσοπρίονο για την κοπή πολύ μικρών τεμαχίων που δεν μπορούν να συγκρατηθούν με ασφάλεια με σφιγκτήρες ή με το χέρι. Αν το χέρι σας βρίσκεται πολύ κοντά στον πριονόδισκο, υπάρχει αυξημένος κίνδυνος τραυματισμού από την επαφή με το δίσκο.**

**γ) Το προς καταργασία τεμάχιο πρέπει να είναι ακινητοποιημένο και συγκρατημένο με σφιγκτήρες ή με το χέρι κόντρα, τόσο στη ράγα οδηγησης όσο και στην πλάκα στήριξης. Μην κόβετε, προωθώντας το τεμάχιο προς το δίσκο ή χωρίς να το συγκρατείτε με κάποιο τρόπο. Τα μη πλήρως ακινητοποιημένα τεμάχια μπορεί να εκσφενδονιστούν με μεγάλη ταχύτητα, προκαλώντας τραυματισμούς.**



**d) Ωθήστε τον πριονόδισκο για να διαπεράσει το προς κατεργασία τεμάχιο. Μην κόβετε το προς κατεργασία τεμάχιο με έλξη του πριονόδισκου. Για να πραγματοποιήσετε μια κοπή, ανασηκώστε και έλξετε την κεφαλή του φάλτσοπριονο προς τα έξω, επάνω από το προς κατεργασία τεμάχιο, χωρίς να κόψετε. Ενεργοποιήστε τον κινητήρα, πιέστε την κεφαλή του φάλτσοπριονο προς τα κάτω και ωθήστε την, ώστε ο δίσκος να διαπεράσει το τεμάχιο. Αν κόψετε με έλξη του πριονόδισκου προς το τεμάχιο, είναι πιθανό ο δίσκος να καβαλήσει το προς κατεργασία τεμάχιο και η διάταξη του δίσκου να εκσφενδονιστεί με μεγάλη ταχύτητα προς το μέρος του χειριστή.**

**e) Μην τοποθετείτε ποτέ το χέρι σας επάνω από τη γραμμή κοπής, είτε μπροστά είτε πίσω από τον πριονόδισκο. Μην εργάζεστε με τα χέρια σταυρωτά, συγκρατώντας δηλαδή το προς κατεργασία τεμάχιο από τη δεξιά πλευρά του πριονόδισκου με το αριστερό χέρι ή αντίστροφα, γιατί είναι εξαιρετικά επικίνδυνο.**

**f) Κατά τη διάρκεια που ο δίσκος περιστρέφεται, μη βάζετε τα χέρια πίσω από τη ράγα οδήγησης σε απόσταση μικρότερη των 100 mm από το δίσκο, προκειμένου να απομακρύνετε ξέσματα ξύλου ή για οποιονδήποτε άλλο λόγο. Η απόσταση μεταξύ του περιστρεφόμενου πριονόδισκου και του χειριού σας μπορεί να μην είναι εμφανής και να τραυματιστείτε σοβαρά.**

**g) Πριν την κοπή επιθεωρήστε το προς κατεργασία τεμάχιο. Αν το προς κατεργασία τεμάχιο είναι κυρτωμένο ή στρεβλωμένο, συσφίξτε το, με την εξωτερική κυρτωμένη πλευρά να είναι στραμμένη προς τη ράγα οδήγησης. Να βεβαιώνετε πάντα ότι δεν υπάρχει κενό μεταξύ του προς κατεργασία τεμαχίου, της ράγας οδήγησης και της πλάκας στήριξης, κατά μήκος της γραμμής κοπής. Κυρτωμένα ή στρεβλωμένα προς κατεργασία τεμάχια μπορεί να περιστραφούν ή να μετατοπιστούν και να προκαλέσουν εμπλοκή στον πριονόδισκο κατά την κοπή. Δεν πρέπει να υπάρχουν καρφιά ή άλλα ξένα σώματα μέσα στο προς κατεργασία τεμάχιο.**

**h) Μη χρησιμοποιήσετε το φάλτσοπριονο προτού απομακρύνετε από την πλάκα στήριξης όλα τα εργαλεία, ξέσματα ξύλου κ.λπ., εκτός από το προς κατεργασία τεμάχιο. Μικρά θραύσματα ή ελεύθερα κομμάτια ξύλου, καθώς και άλλα αντικείμενα, μπορεί να εκσφενδονιστούν με μεγάλη ταχύτητα, αν έρθουν σε επαφή με τον περιστρεφόμενο δίσκο.**

**i) Κόβετε μόνο ένα τεμάχιο κάθε φορά. Πολλάπλα στοιβαγμένα προς κατεργασία τεμάχια δεν μπορούν να συσφιχθούν και να στερεωθούν επαρκώς επάνω στην πλάκα στήριξης και μπορεί να εμπλακούν στο δίσκο ή να μετατοπιστούν κατά την κοπή.**

**j) Βεβαιωθείτε πριν τη χρήση ότι το φάλτσοπριονο είναι βιδωμένο ή τοποθετημένο επάνω σε μια επίπεδη και σταθερή επιφάνεια εργασίας. Η επίπεδη και σταθερή επιφάνεια εργασίας μειώνει τον κίνδυνο αστάθειας στο φάλτσοπριονο.**

**k) Σχεδιάστε την εργασία σας. Κάθε φορά που αλλάζετε τη ρύθμιση της γωνίας λοξοτομής ή φάλτσοτομής, βεβαιωθείτε ότι η ρυθμιζόμενη ράγα οδήγησης είναι ρυθμισμένη σωστά, ώστε να υποστηρίζει το προς κατεργασία τεμάχιο, χωρίς να παρεμβάλλεται στη διαδρομή του δίσκου ή των προφυλακτήρων. Χωρίς να ενεργοποιήσετε το εργαλείο και χωρίς κανένα προς κατεργασία τεμάχιο επάνω στην πλάκα στήριξης, πραγματοποιήστε μια πλήρη προσομοίωση κοπής, οδηγώντας τον πριονόδισκο σε ολόκληρη τη διαδρομή του, ώστε να βεβαιωθείτε ότι δεν υπάρχει παρεμβολή ή κίνδυνος να κόψετε τη ράγα οδήγησης.**

**l) Παρέχετε επαρκή υποστήριξη σε ένα προς κατεργασία τεμάχιο, που είναι πλατύτερο ή μακρύτερο από την πλάκα στήριξης, χρησιμοποιώντας προεκτάσεις στήριξης, καβαλέτα κ.λπ. Προς κατεργασία τεμάχια, που είναι πλατύτερα ή μακρύτερα από την πλάκα στήριξης του φάλτσοπριονο, μπορεί να ανατραπούν αν δεν είναι ασφαλώς υποστηριγμένα. Αν το αποκομμένο ή το προς κατεργασία τεμάχιο ανατραπεί, μπορεί να ανασηκώσει τον παλινδρομικό προφυλακτήρα ή να εκσφενδονιστεί εξαιτίας του περιστρεφόμενου δίσκου.**

**m) Μη χρησιμοποιείτε άλλα πρόσωπα αντί για προεκτάσεις ή άλλα κατάλληλα μέσα για την πρόσθετη στήριξη του τεμαχίου. Η ασταθής υποστήριξη του προς κατεργασία τεμαχίου μπορεί να οδηγήσει σε εμπλοκή του πριονόδισκου ή σε μετατόπιση του τεμαχίου κατά τη διάρκεια της λειτουργίας κοπής, έλκοντας εσάς και το βοηθό σας προς το μέρος του περιστρεφόμενου δίσκου.**

**n) Το αποκομμένο τεμάχιο δεν πρέπει σε καμία περίπτωση να μαγκώσει μέσα στον περιστρεφόμενο πριονόδισκο ή γενικά να πιέζεται με οποιονδήποτε τρόπο κόντρα σε αυτόν. Αν το αποκομμένο τεμάχιο περιορίζεται, π.χ. από οδηγούς μήκους, μπορεί να σφηνωθεί στο δίσκο και να εκσφενδονιστεί με μεγάλη ταχύτητα.**

**o) Να χρησιμοποιείτε πάντα σφινγκτήρες ή προσαρμογείς ειδικά σχεδιασμένους για την κατάλληλη υποστήριξη κυλινδρικών τεμαχίων, όπως ράβδων ή σωλήνων. Οι ράβδοι έχουν την τάση να κυλούν κατά τη διάρκεια της κοπής, με συνέπεια ο δίσκος να «μασάει» το υλικό και να το έλκει μαζί με το χέρι σας προς το μέρος του.**

**p) Περιμένετε μέχρι ο δίσκος να αναπτύξει πλήρη ταχύτητα περιστροφής πριν τον φέρετε σε επαφή με το προς κατεργασία τεμάχιο. Αυτό μειώνει τον κίνδυνο εκσφενδονισμού του τεμαχίου.**

**q) Σε περίπτωση εμπλοκής στο προς κατεργασία τεμάχιο ή στο δίσκο, απενεργοποιήστε το φάλτσοπριονο. Περιμένετε μέχρι να ακινητοποιηθούν όλα τα κινητά μέρη και να αποσυνδέστε το εργαλείο από την παροχή ρεύματος και/ή αφαιρέστε την μπαταρία. Στη συνέχεια, αφαιρέστε το σφηνωμένο υλικό. Αν συνεχίσετε να κόβετε με ένα σφηνωμένο υλικό, μπορεί να χάσετε τον έλεγχο του εργαλείου ή να προκληθεί βλάβη στο φάλτσοπριονο.**

**r) Μετά το τέλος της κοπής, απελευθερώστε το διακόπτη, κρατήστε την κεφαλή του δίσκου κάτω και περιμένετε, μέχρι ο δίσκος να ακινητοποιηθεί προτού αφαιρέσετε το αποκομμένο τεμάχιο. Η προσέγγιση του χειριού σας κοντά στο δίσκο ενέχει κίνδυνο.**



**5) Κρατάτε τη λαβή σταθερά όταν εκτελείτε μια ημιτελή κοπή ή όταν απελευθερώνετε το διακόπτη, πριν η κεφαλή του δίσκου βρεθεί στην τελική κάτω θέση.** Το φρενάρισμα της κίνησης του δίσκου μπορεί να προκαλέσει την απότομη έλξη της κεφαλής του δίσκου προς τα κάτω, με κίνδυνο τραυματισμού.

#### ΛΕΠΙΔΑ ΚΟΠΗΣ ΞΥΛΟΥ ΕΙΔΙΚΗΣ ΥΠΟΔΕΙΞΗΣ ΑΣΦΑΛΕΙΑΣ

Παρακαλούμε διαβάστε το εγχειρίδιο και τις οδηγίες προσεκτικά, πριν χρησιμοποιήσετε τη λεπίδα πριονιού και το μηχάνημα.

Το μηχάνημα πρέπει να βρίσκεται σε καλή κατάσταση, η άτρακτος να είναι χωρίς παραμόρφωση και δονήσεις.

Μη χρησιμοποιείτε το πριόνι, αν τα προστατευτικά δεν βρίσκονται στη θέση τους, διατηρείτε τα προστατευτικά σε καλή κατάσταση λειτουργίας και σωστά συντηρημένα.

Βεβαιωθείτε ότι ο χειριστής είναι επαρκώς εκπαιδευμένος στα προληπτικά μέτρα ασφαλείας, τη ρύθμιση και τη λειτουργία του μηχανήματος.

Να φοράτε πάντα προστατευτικά γυαλιά και γυασοπίδες, όταν χρησιμοποιείτε το μηχάνημα. Συνιστάται να φοράτε προστατευτικά γάντια, ανθεκτικά αντιολισθητικά υποδήματα και ποδιά.

Πριν από τη χρήση οποιοδήποτε εξαρτήματος, συμβουλευτείτε το εγχειρίδιο οδηγιών. Η ακατάλληλη χρήση ενός εξαρτήματος μπορεί να προκαλέσει ζημία και να αυξήσει την πιθανότητα τραυματισμού.

Χρησιμοποιείτε μόνο λεπίδες που καθορίζονται στο παρόν εγχειρίδιο, οι οποίες συμμορφώνονται με το πρότυπο EN 847-1.

Λαμβάνετε υπόψη τη μέγιστη ταχύτητα που αναγράφεται στη λεπίδα πριονιού. Βεβαιωθείτε ότι η ταχύτητα που αναγράφεται στη λεπίδα πριονιού είναι τουλάχιστον ίση με την ταχύτητα που αναγράφεται στο πριόνι.

Χρησιμοποιείτε πάντοτε πριονόδισκους με το σωστό μέγεθος και με κατάλληλη τρύπα υποδοχής. Πριονόδισκοι που δεν ταιριάζουν με τα εξαρτήματα συναρμολόγησης του πριονιού περιτρέφονται ασύμμετρα και οδηγούν στην απώλεια του ελέγχου του μηχανήματος.

Μη χρησιμοποιείτε λεπίδες μεγαλύτερης ή μικρότερης διαμέτρου από τη συνιστώμενη. Μη χρησιμοποιείτε αποστάτες για την προσαρμογή της λεπίδας στον άξονα.

Ελέγχετε τις άκρες της λεπίδας πριονιού για ζημία ή μη φυσιολογική εμφάνιση πριν από κάθε χρήση. Οι κατεστραμμένες ή χαλαρές άκρες μπορεί να εκτοξευθούν κατά τη χρήση και αυξάνουν τον κίνδυνο προσωπικού τραυματισμού.

Οι ραγισμένες πριονόλαμες (πριονόδοιοι) ή αυτές που έχουν παραμορφωθεί δεν επιτρέπεται να χρησιμοποιηθούν! Μη χρησιμοποιείτε ελαττωματικές ή στρεβλωμένες πριονόλαμες.

Αχρηστέψτε τη λεπίδα πριονιού, αν έχει υποστεί ζημία, είναι παραμορφωμένη, στρεβλωμένη ή ραγισμένη, η επισκευή δεν επιτρέπεται.

Δεν χρησιμοποιείτε πριονόδοιοις κατασκευασμένους από ταχυάλυβα.

Βεβαιωθείτε ότι η λεπίδα πριονιού έχει τοποθετηθεί σωστά, σφίξτε το περικόχλιο άξονα με ασφάλεια πριν από τη χρήση (ροπή σύσφιξης περ. 12 Nm).

Η βίδα στερέωσης και τα περικόχλια πρέπει να σφίγγονται χρησιμοποιώντας το κατάλληλο κλειδί κλπ.

Δεν επιτρέπεται η επέκταση του κλειδιού σύσφιξης ή το σφίξιμο με τη χρήση χτυπημάτων σφυριού.

Βεβαιωθείτε ότι η λεπίδα και οι φλάντζες είναι καθαρές και οι πλευρές του κολάρου με εσοχές είναι κόντρα στη λεπίδα.

Βεβαιωθείτε ότι η λεπίδα περιστρέφεται προς τη σωστή κατεύθυνση.

Πριν από την εργασία, πραγματοποιήστε μία εικονική τομή χωρίς να είναι ενεργοποιημένος ο κινητήρας, προκειμένου να ελέγξετε τη θέση της λεπίδας, τη λειτουργία των προστατευτικών αναφορικά με τα άλλα μέρη της μηχανής και το τεμάχιο εργασίας.

Μην αφήνετε ποτέ το μηχάνημα χωρίς επίβλεψη.

Μην εφαρμόζετε λιπαντικά στη λεπίδα, ενώ βρίσκεται σε λειτουργία.

Μην εκτελείτε ποτέ οποιοδήποτε εργασία καθαρισμού ή συντήρησης, ενώ το μηχάνημα βρίσκεται ακόμη σε λειτουργία και η κεφαλή δεν βρίσκεται σε θέση ηρεμίας.

Μην επιχειρείτε ποτέ να σταματήσετε γρήγορα ένα μηχάνημα σε κίνηση εμπλεκόμενος ένα εργαλείο ή άλλα μέσα κόντρα στη λεπίδα - υπάρχει κίνδυνος ακούσιας πρόκλησης σοβαρών ατυχημάτων.

Να αποσυνδέετε το πριόνι από το ηλεκτρικό δίκτυο ή να αφαιρείτε τη συστοιχία μπαταριών πριν από την αλλαγή των λεπίδων ή τη διεκτέλεση συντήρησης.

Προσέχετε, όταν συσκευάζετε και αποσυσκευάζετε τη λεπίδα, είναι εύκολο να τραυματιστείτε από τις αιχμηρές άκρες της λεπίδας.

Χρησιμοποιείτε μία λαβή λεπίδας ή φοράτε προστατευτικά γάντια, όταν χειρίζεστε μία λεπίδα πριονιού.

Φυλάσσετε και αποθηκεύετε τη λεπίδα στην αρχική συσκευασία ή σε άλλη κατάλληλη συσκευασία, σε ξηρές συνθήκες και μακριά από χημικές ουσίες που μπορούν να καταστρέψουν τη λεπίδα.

#### ΠΕΡΑΙΤΕΡΩ ΟΔΗΓΙΕΣ ΑΣΦΑΛΕΙΑΣ ΚΑΙ ΧΡΗΣΕΩΣ

Να στερεώνετε πάντα το τεμάχιο εργασίας με ασφάλεια.

Να σιγουρεύεστε πως η μηχανή είναι σταθερή (π.χ. στερέωση στον πάγκο εργασίας)..

Φοράτε γυασοπίδες. Η επίδραση του θορύβου μπορεί να προκαλέσει απώλεια ακοής.

Κατά την εργασία με τη μηχανή φοράτε πάντα προστατευτικά γυαλιά. Συνιστάται να φοράτε προστατευτικά γάντια για το χειρισμό λεπίδων και τραχιών υλικών, καθώς και ανθεκτικά αντιολισθητικά παπούτσια που προστατεύουν επίσης τα πόδια από τεμάχια εργασίας που μπορεί να πέσουν από την περιοχή κοπής.

Διασφαλίζετε πάντα πως η συστοιχία μπαταριών έχει αποσυνδεθεί από την πηγή τροφοδοσίας πριν από την πραγματοποίηση ρυθμίσεων, λιπανσης ή όταν εκτελείτε οποιαδήποτε συντήρηση στο πριόνι.

Συνδέετε τη μηχανή στην πρίζα μόνο αν ο διακόπτης είναι στη θέση απενεργοποίησης.

Μην πλησιάζετε ποτέ στην περιοχή κοντά στη λεπίδα, εκτός αν αυτή έχει σταματήσει εντελώς.

Πριν από τη χρήση, ελέγχετε προσεκτικά το εργαλείο για τυχόν ζημιές ή κόπωση του υλικού. Να αφήνετε να επισκευάζονται τα φθαρμένα εξαρτήματα από έναν ειδικό.

Χρησιμοποιείτε οπωσδήποτε τη διάταξη προστασίας της μηχανής. Μη χρησιμοποιείτε το μηχάνημα, αν τα προστατευτικά δεν είναι στη θέση τους και δε λειτουργούν σωστά.

Το κάτω προστατευτικό λεπίδας πρέπει να ανοίγεται μόνο όταν η λεπίδα χαμηλώνει προς το τεμάχιο προς επεξεργασία και θα πρέπει πάντα να μπορεί να κινείται απρόσκοπτα και να κλείνει αυτόματα..

Πάντα στερεώνετε το τεμάχιο προς επεξεργασία και χρησιμοποιείτε ράβδους επέκτασης συγκράτησης για τη στήριξή του.

Μη μεταβάλλετε ή τροποποιείτε ποτέ το πριόνι ή τη λειτουργία του. Ενδέχεται να θέσετε σε κίνδυνο τον εαυτό σας.



Μη χρησιμοποιείτε λεπίδες που είναι ραγισμένες, κατεστραμμένες ή παραμορφωμένες.

Δεν χρησιμοποιείτε πριονοδίσκου κατασκευασμένου από ταχυάλυβα.

Χρησιμοποιείτε μόνο λεπίδες που είναι αιχμηρές. Αντικαθιστάτε τις αμβλείες λεπίδες με νέες.

Χρησιμοποιείτε πάντοτε πριονοδίσκου με το σωστό μέγεθος και με κατάλληλη τρύπα υποδοχής.

Πριονοδίσκοι που δεν ταιριάζουν με τα εξαρτήματα συναρμολόγησης του πριονιού περιστρέφονται ασύμμετρα και οδηγούν στην απώλεια του ελέγχου του μηχανήματος.

Χρησιμοποιείτε μόνο λεπίδες επεξεργασίας ξύλου που καθορίζονται στο παρόν εγχειρίδιο, οι οποίες συμμορφώνονται με το πρότυπο EN 847-1.

Μη χρησιμοποιείτε φλάντζες, ροδέλες και περικόχλια για να ασφαλίσετε τη λεπίδα πριονιού, εκτός εκείνων που παρέχονται ή υποδεικνύονται στο εγχειρίδιο οδηγιών.

Επιλέγετε ένα κατάλληλο πριονοδίσκο για το υλικό που θέλετε να κόψετε. Μη χρησιμοποιείτε ποτέ το προϊόν για την κοπή υλικών άλλων από εκείνων που καθορίζονται στην ενότητα προβλεπόμενη χρήσης του παρόντος εγχειρίδιου.

Είναι σημαντικό να αποφεύγεται η υπερθέρμανση της λεπίδας και η τήξη του τεμαχίου προς επεξεργασία κατά την κοπή.

Πρέπει να τηρείται ο αναφερόμενος επάνω στον πριονοδίσκο μέγιστος αριθμός στροφών. Χρησιμοποιείτε μόνο λάμα πριονιού που φέρει σήμανση ταχύτητας ίσης ή μεγαλύτερης από την αναφερόμενη στο εργαλείο.

Αντικαθιστάτε το ένθετο πάγκου, όταν φθαρεί ή καταστραφεί.

Πριν από την εργασία, πραγματοποιήστε μία εικονική τομή χωρίς ο κινήτρες να είναι ενεργοποιημένοι, προκειμένου να ελέγξετε τη θέση της λεπίδας, τη λειτουργία των προστατευτικών αναφορικά με τα άλλα μέρη της μηχανής και το τεμάχιο εργασίας.

Κατά την εκτέλεση οδηγούμενης κοπής ξύλου, κοπής ξύλου υπό γωνία και σύνθετες οδηγούμενες κοπές ξύλου, ρυθμίστε το συρμένο φράχτη για να εξασφαλιστεί η σωστή απόσταση από τη λεπίδα.

Ο βραχίονας του αναστολέα πρέπει πάντα να βρίσκεται σε θέση εμπλοκής κατά τη μεταφορά του προϊόντος.

Το δάπεδο να διατηρείται ελεύθερο από κατάλοιπα υλικών, π.χ. ροκανίδια κλπ..

Μην απομακρύνετε υπολείμματα πριονίσματος ή άλλα τμήματα του κατεργασθέντος αντικειμένου από την περιοχή πριονίσματος όταν λειτουργεί η μηχανή και δεν έχει ακινητοποιηθεί η κεφαλή του πριονιού.

Τεμάχια κατεργασίας μεγάλου μήκους πρέπει να στηρίζονται κατάλληλα. Η περιοχή εργασίας του πριονιού καταλαμβάνει την πλήρη έκταση του τεμαχίου προς επεξεργασία. Ο χειριστής θα πρέπει να ασφαλίσει αυτή την περιοχή προκειμένου να αποτρέπεται ενδεχόμενη τυχασία επαφή άλλων ατόμων ή αντικειμένων που θα επιφέρει μετατόπιση του τεμαχίου κατά την κατεργασία.

Η δημιουργούμενη κατά την εργασία σκόνη είναι συχνά επιβλαβής για την υγεία και δεν πρέπει να έρχεται σε επαφή με το σώμα. Χρησιμοποιείτε μια διάταξη αναρρόφησης της σκόνης και φοράτε επιπλέον μια κατάλληλη προσωπικά προστασίας από τη σκόνη. Απομακρύνετε επιμελώς τη μαζεμένη σκόνη, π.χ. με αναρρόφηση.

Μην αντικαθιστάτε το LED ή το λέιζερ με άλλο διαφορετικού τύπου. Τυχόν επισκευές πρέπει να εκτελούνται μόνο από τον κατασκευαστή ή τον εξουσιοδοτημένο αντιπρόσωπο σέρβις.

Τα υπερενέργεια προκαλούν διακυμάνσεις στην τάση και μπορεί να επηρεάζουν άλλα ηλεκτρικά προϊόντα στην ίδια γραμμή. Συνδέστε το προϊόν σε παροχή ρεύματος με σύνθετη αντίσταση 0,3 Ω για

να ελαχιστοποιήσουν οι διακυμάνσεις τάσης. Επικοινωνήστε με την εταιρεία παροχής ηλεκτρικού ρεύματος για περισσότερες διευκρινίσεις.

## ΕΙΔΙΚΕΣ ΥΠΟΔΕΙΞΕΙΣ ΑΣΦΑΛΕΙΑΣ ΛΕΙΖΕΡ

Η ακτινοβολία λέιζερ που χρησιμοποιείται σε αυτό το πρίονι είναι Κατηγορίας II με μέγιστη τιμή  $P \leq 1mW$  και μήκη κύματος  $\lambda: 650nm$ . Μην κοιτάζετε απευθείας με οπτικά όργανα. Η μη συμμόρφωση με τους κανόνες μπορεί να οδηγήσει σε σοβαρό προσωπικό τραυματισμό.

Μην κοιτάζετε απευθείας την ακτίνα κατά τη λειτουργία.

Μην προβάλλετε την ακτίνα λέιζερ απευθείας στα μάτια των άλλων. Μπορεί να προκαλέσει σοβαρό τραυματισμό των ματιών.

Μην τοποθετείτε το λέιζερ σε τέτοια θέση, που μπορεί να προκαλέσει κάποιον να κοιτάξει, σκόπιμα ή μη, στην ακτίνα λέιζερ.

Μη χρησιμοποιείτε οπτικά εργαλεία για να δείτε την ακτίνα λέιζερ.

Μη χρησιμοποιείτε το λέιζερ κοντά σε παιδιά και μην αφήνετε παιδιά να το χρησιμοποιούν.

Μην επιχειρείτε να επισκευάσετε μόνοι σας τη συσκευή λέιζερ.

Μην επιχειρείτε να αλλάξετε μόνοι σας οποιαδήποτε μέρη της συσκευής λέιζερ.

Τυχόν επισκευές πρέπει να εκτελούνται μόνο από τον κατασκευαστή ή τον εξουσιοδοτημένο αντιπρόσωπο σέρβις.

Μην αντικαταστήσετε τ εσωματωμέν λέιζερ με ένα άλλ λέιζερ διαφορετικού τύπου.

## ΧΡΗΣΗ ΣΥΜΦΩΝΑ ΜΕ ΤΟ ΣΚΟΠΟ ΠΡΟΟΡΙΣΜΟΥ

Το σύνθετο δισκοπρίονο πάγκου προορίζεται για το πριόνισμα στερεού και συγκολλημένου ξύλου με ή χωρίς επικάλυψη καπλαμά, πλαστικών και υλικών παρόμοιων με ξύλο.

Το σύνθετο δισκοπρίονο πάγκου προορίζεται για χρήση μόνο από ενήλικες χειριστές που έχουν διαβάσει το εγχειρίδιο οδηγιών και κατανοούν τους κινδύνους.

Το σύνθετο δισκοπρίονο πάγκου έχει σχεδιαστεί για να στερεώνεται στη βάση μιας στερεής επιφάνειας πάγκου. Αν η βάση δεν είναι καλά στερεωμένη, ολόκληρο το μηχάνημα ενδέχεται να μετακινηθεί κατά τη διάρκεια των εργασιών κοπής, γεγονός που αυξάνει την πιθανότητα σοβαρού προσωπικού τραυματισμού.

Το σύνθετο δισκοπρίονο πάγκου έχει σχεδιαστεί για κοπές με λοξοτομή και φαλτογωνία. Οι δυνατότητες για τις διάφορες κοπές παρέχονται στις προδιαγραφές του προϊόντος στο παρόν εγχειρίδιο.

Το σύνθετο δισκοπρίονο πάγκου πρέπει να χρησιμοποιείται σε ξηρές συνθήκες, με εξαιρετικό φωτισμό περιβάλλοντος και επαρκή αερισμό.

Το σύνθετο δισκοπρίονο πάγκου προορίζεται για καταναλωτική χρήση και πρέπει να χρησιμοποιείται μόνο σύμφωνα με την άνωθεν περιγραφή και δεν προορίζεται για κανέναν άλλο σκοπό.

## ΛΟΙΠΟΙ ΚΙΝΔΥΝΟΙ

Ακόμη και όταν το σύνθετο δισκοπρίονο πάγκου χρησιμοποιείται όπως ορίζεται, εξακολουθεί να είναι αδύνατο να εξαιλεφθούν πλήρως ορισμένοι υπολειπόμενοι παράγοντες κινδύνου. Οι ακόλουθοι κίνδυνοι ενδέχεται να προκύψουν και ο χειριστής θα πρέπει να δώσει ιδιαίτερη προσοχή για να αποφευχθούν τα εξής:

- Κίνδυνος επαφής με τα εκτεθειμένα μέρη της περιστρεφόμενης λεπίδας πριονιού.
- Οπισθοδρομική κίνηση των τεμαχίων εργασίας ή μερών των τεμαχίων εργασίας λόγω ακατάλληλης ρύθμισης ή χειρισμού.
- Εκτόξευση ελαττωματικών άκρων καρβιδίου από τη λεπίδα πριονιού.
- Βλάβη στο αναπνευστικό σύστημα.

**ΣΗΜΕΙΩΣΗ:** Φοράτε μάσκες προστασίας αναπνοής που περιέχουν φίλτρα κατάλληλα για τα υλικά που επεξεργάζεστε.

Βεβαιωθείτε ότι ο χώρος εργασίας αερίζεται επαρκώς. Μην τρώτε, πίνετε ή καπνίζετε στο χώρο εργασίας.

Κίνδυνος βλάβης της ακοής, αν δεν φοράτε αποτελεσματική προστασία ακοής.

#### ΠΡΟΕΙΔΟΠΟΙΗΣΗ

Η σκόνη από ορισμένες βαφές, επιχρίσματα και υλικά μπορεί να προκαλέσει ερεθισμό ή αλλεργικές αντιδράσεις στο αναπνευστικό σύστημα. Η σκόνη από ξύλο όπως δρυς, οξιά, MDF και άλλα είναι καρκινογόνος. Τα υλικά που περιέχουν αμιάντο πρέπει να υποβάλλονται σε κατεργασία ή επεξεργασία μόνο από εξειδικευμένους χειριστές.

#### ΠΡΟΕΙΔΟΠΟΙΗΣΗ

Μπορεί να προκληθούν ή να επιδεινωθούν τραυματισμοί από την παρατεταμένη χρήση ενός εργαλείου. Όταν χρησιμοποιείτε οποιοδήποτε εργαλείο για παρατεταμένες χρονικές περιόδους, βεβαιωθείτε ότι κάνετε τακτικά διαλείμματα.

#### ΓΝΩΡΙΣΤΕ ΤΟ ΠΡΟΪΟΝ ΣΑΣ

Βλέπε σελίδα Α.

- |  |   |
|--|---|
| 1. Λαβή, μονωμένη επιφάνεια πισίματος              | 15. Μοχλός κλειδώματος γωνίας λοξοτομής   |
| 2. Διακόπτης σκανδάλης                             | 16. Ολισθαίνων φράκτης                    |
| 3. Μοχλός κλειδώματος ασφαλείας                    | 17. Σφικτήρας τειαχίου προς επεξεργασία   |
| 4. Εξωτερική φλάντζα                               | 18. Ράβδος επέκτασης                      |
| 5. Λάμα πριονιού                                   | 19. Οπές στερέωσης x4                     |
| 6. Κάτω προστατευτικό                              | 20. Περιστροφόμενη τράπεζα                |
| 7. Σταθερός φράκτης                                | 21. Κλίμακα λοξοτομής                     |
| 8. Πλάκα εγκοπής                                   | 22. Κοχλίας ρύθμισης γωνίας λοξοτομής 45° |
| 9. Λαβή κλειδώματος θέσης περιστρεφόμενης τράπεζας | 23. Κοχλίας ρύθμισης γωνίας λοξοτομής 90° |
| 10. Άνω λαβή                                       | 24. Διακόπτης LED                         |
| 11. Άνω προστατευτικό                              | 25. Διακόπτης λέιζερ                      |
| 12. Σωλήνας σκόνης                                 | 26. Κουμπί ασφαλείας άξονα                |
| 13. Διακόπτης αναστολέα ευθύγραμμης ράβδου         | 27. Πλάκα ρύθμισης βάθους κοπής           |
| 14. Σφικτήρας                                      | 28. Κουμπί ρύθμισης βάθους κοπής          |

#### ΛΙΣΤΑ ΑΝΤΑΛΛΑΚΤΙΚΩΝ

- PS 216 L: ΣΤΑΘΕΡΟ ΔΙΣΚΟΠΡΙΟΝΟ EN 847-1/ ø216 x ø30 x 2,4 / 48T / HW / n Μέγ. 7000 min<sup>-1</sup> (σελίδα Α: No. 5)
- PS 254 L: ΣΤΑΘΕΡΟ ΔΙΣΚΟΠΡΙΟΝΟ EN 847-1/ ø254 x ø30 x 2,6 / 48T / HW / n Μέγ. 7400 min<sup>-1</sup> (σελίδα Α: No. 5)
- ΚΠλάκα εγκοπής (σελίδα Α: No. 8)

#### ΣΥΝΔΕΣΗ ΣΤΟ ΗΛΕΚΤΡΙΚΟ ΔΙΚΤΥΟ

Συνδέετε μόνο σε μονοφασικό εναλλασσόμενο ρεύμα και μόνο σε τάση δικτύου όπως αναφέρεται στην πινακίδα τεχνικών χαρακτηριστικών. Η σύνδεση είναι επίσης εφικτή σε πρίζες χωρίς προστασία επαφής, διότι έχει προβλεφθεί εξοπλισμός κατηγορίας προστασίας II.

Οι πρίζες στους εξωτερικούς χώρους πρέπει να είναι εξοπλισμένες με μικροαυτόματος διακόπτες προστασίας (FI, RCD, PRCD). Αυτό απαιτεί ο σχετικός κανονισμός από την ηλεκτρική σας εγκατάσταση. Προσέξτε παρακαλώ αυτό το σημείο κατά τη χρήση της συσκευής μας.

Συνδέετε τη μηχανή στην πρίζα μόνο αν ο διακόπτης είναι στη θέση απενεργοποίησης.

Κρατάτε το καλώδιο σύνδεσης πάντοτε μακριά από την περιοχή δράσης της μηχανής. Περνάτε το καλώδιο πάντοτε πίσω από τη μηχανή.

Πριν από κάθε χρήση ελέγχετε τη συσκευή, το καλώδιο σύνδεσης, το καλώδιο επέκτασης (μπαλαντζέα), το πακέτο των μπαταριών και το φως για τυχόν ζημιά και γήρανση. Αναθέστε την επισκευή των κατεστραμμένων εξαρτημάτων μόνο σ' έναν ειδικευμένο τεχνίτη.

Τα υπερρεύματα προκαλούν διακυμάνσεις στην τάση και μπορεί να επηρεάσουν άλλα ηλεκτρικά προϊόντα στην ίδια γραμμή. Συνδέστε το προϊόν σε παροχή ρεύματος με σύνθετη αντίσταση 0,3 Ω για να ελαχιστοποιηθούν οι διακυμάνσεις τάσης.

Επικοινωνήστε με την εταιρεία παροχής ηλεκτρικού ρεύματος για περισσότερες διευκρινίσεις.

#### ΣΥΝΤΗΡΗΣΗ

Μην τροποποιείτε αυτό το πριόνι με οποιοδήποτε τρόπο και μη χρησιμοποιείτε εξαρτήματα που δεν είναι εγκεκριμένα από τον κατασκευαστή. Ενδέχεται να θέσετε σε κίνδυνο τον εαυτό σας και άλλους.

Μη χρησιμοποιείτε το πριόνι, αν οποιοδήποτε διακόπτες, προστατευτικά ή άλλες λειτουργίες του πριονιού δεν λειτουργούν όπως προβλέπεται. Απευθυνθείτε σε ένα εξουσιοδοτημένο κέντρο σέρβις για επαγγελματική επισκευή ή ρύθμιση.

Μην κάνετε οποιοσδήποτε ρυθμίσεις, ενώ η λεπίδα πριονιού είναι σε κίνηση.

Διασφαλίστε πάντα πως η συστοιχία μπαταριών έχει αποσυνδεθεί από την πηγή τροφοδοσίας πριν από την πραγματοποίηση ρυθμίσεων, λήπανσης ή όταν εκτελείτε οποιαδήποτε συντήρηση στο πριόνι.

Πριν και μετά από κάθε χρήση, ελέγχετε το πριόνι σας για ζημιές ή σπασμένα εξαρτήματα και να το διατηρείτε σε άριστη κατάσταση λειτουργίας αντικαθιστώντας εξαρτήματα αμέσως με ανταλλακτικά εγκεκριμένα από τον κατασκευαστή.

Η λεπίδα αναπτύσσει πολύ υψηλή θερμοκρασία μετά από τη χρήση, να φοράτε προστατευτικά γάντια ή να την αφήνετε να κρυώσει, πριν προβείτε σε διαδικασίες συντήρησης ή καθαρισμού.

Καθαρίζετε τη συσσωρευμένη σκόνη χρησιμοποιώντας μία βούρτσα ή ηλεκτρική σκούπα. Μη χρησιμοποιείτε πεπιεσμένο αέρα.

Προκειμένου να διασφαλιστεί η ασφάλεια και η αξιοπιστία, όλες οι επισκευές, συμπεριλαμβανομένης της αλλαγής βουρτσών, θα πρέπει να εκτελούνται από εξουσιοδοτημένο κέντρο σέρβις.

Καθαρίζετε την συσκευή και τον εξοπλισμό προστασίας με ένα στεγνό πανί.

Διατηρείτε πάντοτε τις σχισμές εξερισμού της μηχανής καθαρές.

Αν είναι απαραίτητη η αντικατάσταση του καλωδίου παροχής, αυτή πρέπει να γίνει από τον κατασκευαστή ή τον αντιπρόσωπό του, προκειμένου να αποφύγετε έναν κίνδυνο για την ασφάλεια.



Χρησιμοποιείτε μόνο εξαρτήματα και ανταλλακτικά της AEG. Αναθέστε την αλλαγή των εξαρτημάτων, των οποίων η αντικατάσταση δεν έχει περιγραφεί, σ' ένα κέντρο σέρβις της AEG (προσέξτε το εγχειρίδιο Εγγύηση/Διευθύνσεις εξυπηρέτησης πελατών).

Όταν χρειάζεται, μπορείτε να ζητήσετε ένα σχέδιο συναρμολόγησης της συσκευής, δίνοντας τον τύπο της μηχανής και αριθμό στην πινακίδα ισχύος, από το κέντρο σέρβις ή απευθείας από τη φίρμα Techtronic Industries GmbH, Max-Eyth-Straße 10, 71364 Winnenden, Germany.

## ΔΗΛΩΣΗ ΠΙΣΤΟΤΗΤΑΣ ΕΚ

Δηλώνουμε με αποκλειστική μας ευθύνη, ότι το προϊόν που περιγράφεται στα «Τεχνικά Χαρακτηριστικά» συμμορφώνεται με όλες τις σχετικές διατάξεις των οδηγιών

2011/65/EE (RoHS)

2006/42/EK

2014/30/EE

και έχουν εφαρμοστεί τα ακόλουθα εναρμονισμένα πρότυπα

EN 62841-1:2015

EN 62841-3-9:2015+A11:2017

EN 55014-1:2017

EN 55014-2:2015

EN 61000-3-2:2014

EN 61000-3-11:2000

EN IEC 63000:2018



Winnenden, 2019-03-08

Alexander Krug / Managing Director  
Εξουσιοδοτημένος να συντάξει τον τεχνικό φάκελο.

Techtronic Industries GmbH  
Max-Eyth-Straße 10, 71364 Winnenden, Germany

## ΣΥΜΒΟΛΑ



**ΠΡΟΣΟΧΗ! ΠΡΟΕΙΔΟΠΟΙΗΣΗ! ΚΙΝΔΥΝΟΣ!**



Πριν από κάθε εργασία στη μηχανή τραβάτε το φως από την πρίζα.



**ΠΡΟΕΙΔΟΠΟΙΗΣΗ-** Για να μειώσετε τον κίνδυνο τραυματισμών, ο χρήστης πρέπει να διαβάσει το εγχειρίδιο χρήσης!



Στις εργασίες με τη μηχανή φοράτε πάντοτε προστατευτικά γυαλιά.



Φοράτε προστασία ακοής (ωτασπίδες)!



Να φοράτε προστατευτικά γάντια!



Ποτέ μη βάζετε τα χέρια σας στην περιοχή της πριονόλαμας.



Η συσκευή είναι κατάλληλη για χρήση μόνο σε εσωτερικούς χώρους, μην εκθέσετε τη συσκευή στη βροχή.



Θύρα σύνδεσης σωλήνα σκόνης



Κόβετε μόνο ξύλο.



Μην κοιτάζετε στην έξοδο της ακτίνας λέιζερ



Το προϊόν πληροί την κατηγορία λέιζερ 2 σύμφωνα με το EN 60825-1:2014.



Διάμετρος λεπίδας πριονιού x διάμετρος διάτρησης



Κατεύθυνση της περιστροφής



Δόντια λεπίδας



Πλάτος κοπής



**n<sub>0</sub>** Αριθμός στροφών χωρίς φορτίο



**V** Τάση



Εναλλασσόμενο ρεύμα



Ηλεκτρικό εργαλείο κατηγορίας ασφαλείας II. Ηλεκτρικό εργαλείο στο οποίο η προστασία από ηλεκτροπληξία δεν εξαρτάται μόνο από την βασική μόνωση αλλά και από συμπληρωματικά μέτρα ασφαλείας όπως διπλή ή ενισχυμένη μόνωση.



Δεν υπάρχει εξοπλισμός για να συνδεθεί με την γείωση. Ηλεκτρικά μηχανήματα δεν επιτρέπεται να απορρίπτονται μαζί με τα οικιακά απορρίμματα. Ηλεκτρικά και ηλεκτρονικά μηχανήματα συλλέγονται ξεχωριστά και παραδίδονται προς ανακύκλωση με τρόπο φιλικό προς το περιβάλλον σε επιχείρηση επεξεργασίας απορριμμάτων. Ενημερωθείτε από τις τοπικές υπηρεσίες ή από ειδικευμένους εμπόρους σχετικά με κέντρα ανακύκλωσης και συλλογής απορριμμάτων.



Ευρωπαϊκό σήμα πιστότητας



Ουκρανικό σήμα πιστότητας



Ευρασιατικό σήμα πιστότητας

Ελληνικά

TEKNİK VERİLER	PS 216 L	PS 254 L
<b>Çekme kapaklı ve çapraz testere *</b>		
Üretim numarası	4699 98 01 ... ... 000001-999999	4699 99 01 ... 4740 22 01 ... ... 000001-999999
Giriş gücü	220-240 V, 50 HZ, 1400W, 6,5 A	220-240 V, 50 HZ, 1800W, 8,7 A
Boşta devir sayısı	5000 min <sup>-1</sup>	4500 min <sup>-1</sup>
Testere bıçağı çapı x delik çapı	216 x 30 mm	254 x 30 mm
Testere bıçağı beden kalınlığı Maks.	1,6 mm	1,8 mm
Testere bıçağı diş kalınlığı Min.	2,4 mm	2,6 mm
Maksimum kesim performansı		
Gönye 0°/ Meyilde 0°	65 x 305 mm	90 x 305 mm
Gönye 45°/ Meyilde 0°	65 x 215 mm	90 x 215 mm
Gönye 0°/ Meyilde 45°	36 x 305 mm	50 x 305 mm
Gönye 45°/ Meyilde 45°	36 x 215 mm	50 x 215 mm
Ağırlığı ise EPTA-üretici 01/2014'e göre	16,7 kg	19,6 kg
<b>Gürültü bilgileri</b>		
Ölçüm değerleri EN 62841 e göre belirlenmektedir. Aletin, frekansa bağımlı uluslararası ses basıncı seviyesi değerlendirme eğrisi A'ya göre tipik gürültü seviyesi:		
Ses basıncı seviyesi (Tolerans K=3dB(A))	99,27 dB (A)	95,15 dB (A)
Akustik kapasite seviyesi (Tolerans K=3dB(A))	112,27 dB (A)	108,15 dB (A)
<b>Koruyucu kulaklık kullanın!</b>		

\*PS  $\triangleq$  Çekme kapaklı ve çapraz testere

## UYARI!

Beyan edilmiş gürültü emisyon değeri/değerleri EN 62841-1 ve EN 62841-3-9 uyarınca standart bir test yöntemine göre ölçülmüş olup, bir aleti diğeriyle karşılaştırmak için kullanılabilir. Beyan edilmiş gürültü emisyon değeri/değerleri bir maruz kalma ön değerlendirmesi için de kullanılabilir.

Elektrikli cihazın fiili kullanımı sırasındaki gürültü emisyonları aletin kullanılma yöntemlerine ve özellikle ne tür bir parçanın işlendiğine bağlı olarak beyan edilen değerlerle farklılık gösterebilir.

Operatörü korumak için fiili kullanım koşullarında maruz kalma tahminine dayanan güvenlik önlemleri belirleyin (aletin kapatıldığı ve tetikleme süresine ek olarak boşta çalıştığı süreler gibi çalışma döngüsünün tüm kısımlarını dikkate alarak).

Koruyucu kulaklık kullanın. Gürültü etkisi işitme kaybını etkiler.

**UYARI Cihazla birlikte gelen tüm güvenlik uyarılarını, talimatları, çizimleri ve bilgileri okuyun.** Aşağıdaki talimat hükümlerine uymadığınız takdirde elektrik çarpması, yangın veya ağır yaralanma tehlikesi ile karşılaşabilirsiniz.

**Bütün uyarıları ve talimat hükümlerini ileride kullanmak üzere saklayın.**

## GÖNYE TESTERELERİ İÇİN GÜVENLİK TALİMATLARI

**a) Gönye testereleri ahşap ve ahşap benzeri ürünleri kesmek içindir; demir içeren mil, çubuk, saplama vb. gibi ürünleri kesmek amacıyla aşındırıcı kesme diskleriyle kullanılamaz.** Aşındırıcı toz alt korkuluk gibi hareketli aksamın sıkışmasına neden olur. Aşındırıcı kesme işleminin doğuracağı kıvılcımlar alt korkuluk, kesme eklentisi ve diğer plastik aksamı yakar.

**b) İşlenecek parçayı desteklemek için mümkün olduğunca mengene kullanın. İşlenecek parçayı elle tutarken elinizin testere bıçağının her iki yüzünden en az 100 mm uzakta tutun.** Mengeneyle ya da elle sıkıca kavranamayacak parçaları kesmek için bu testereyi kullanmayın. Eliniz testere bıçağına çok yaklaşırsa, bıçak teması nedeniyle yaralanma riski artar.

**c) İşlenecek parça sabit olmalı ya da hem korkuluğa hem de tezgaha dayanmalıdır. İşlenecek parçayı testereye beslemeyin ya da herhangi bir şekilde «serbest elle» kesmeyin.** Sabitlenmemiş ya da hareketli parçalar yüksek hızla fırlatılabilir ve yaralanmaya neden olabilir.

**d) Testereyi işlenecek parçanın içine itin. Testereyi işlenecek parçanın içinden çekmeyin. Kesmek için, testere başını kaldırın ve kesmeden işlenecek parçanın üzerine doğru itin, motoru açın, testere başını aşağıya bastırıp testereyi işlenecek parçanın içine itin.** Çekiş hareketi sırasında kesmek, testerenin işlenecek parçanın tepesine tırmanmasını ve bıçak takımını operatöre doğru şiddetle fırlatmasına neden olabilir.

**e) Elinizi asla testere bıçağının önünde veya arkasındaki kesme hattının üzerine koymayın.** İşlenecek parçayı «çapraz elle» desteklemek, diğer bir ifadeyle işlenecek parçayı sol elinizle testere bıçağının sağına doğru tutmak ya da bunun tam tersi, çok tehlikelidir.

**f) Bıçak dönerken, tahta artıklarını uzaklaştırmak ya da herhangi bir başka nedenle ellerinizi uzaklaştırmak ya da herhangi bir başka nedenle ellerinizin birini korkuluğun üzerinden, testere bıçağının iki yanına 100 mm'den fazla yaklaştırmayın.** Dönen testere bıçağının elinize yakınlığı belli olmayabilir ve ciddi ölçüde yaralanabilirsiniz.



Tür

g) Kesmeden önce, işlenecek parçayı kontrol edin. İşlenecek parça eğri ya da çarpıksa, eğik tarafı korkuluğa bakacak şekilde sıkıştırın. Her zaman kesme hattı boyunca işlenecek parça, korkuluk ve tezgah arasında boşluk olmamasını sağlayın. Eğik ya da çarpık parçalar dönüp kayabilir ve kesme sırasında dönen testere bıçağının bükülmesine neden olabilir. İşlenecek parçanın içinde çivi ya da yabancı madde bulunmamalıdır.

h) Tezgahın işlenecek parça dışında her türlü alet, tahta artığı ve benzerlerinden temizlenmiş olması gerekir. Dönen bıçakla temas eden küçük tahta artıkları ve diğer cisimler çok yüksek bir hızla fırlatılabilir.

i) Bir seferde sadece bir işlenecek parça kesin. Üst üste istiflenmiş işlenecek parçalar gerektiği gibi kenetlenip sabitlenemez, bıçağı bükülebilir ya da kesme sırasında kayabilir.

j) Kullanmadan önce, gönye testeresinin düz ve sağlam bir çalışma yüzeyine yerleştirildiğinden emin olun. Düz ve sağlam bir çalışma düzeyi gönye testeresinin dengesini yitirmesini engelleyebilir.

k) İşinizi planlayın. Konik ya da gönye açısını değiştirdiğiniz her sefer, ayarlanabilir korkuluğun işlenecek parçayı desteklemek için gerektiği gibi ayarlanabileceğini ve bıçağı ya da muhafaza sistemine müdahale etmediğinden emin olun. Aleti «AÇIK» konumuna getirmeden ve tezgaha işlenecek parça yerleştirmeden, korkuluğu müdahale ya da kesme tehlikesi bulunmadığından emin olmak için testere bıçağına eksiksiz bir kesme simülasyonu uygulayın.

l) İşlenecek parçanın tezgah yüzeyinden daha geniş veya daha olmasa halinde tezgah uzatması, testere tezgahı gibi gerekli destekleri temin edin. Tezgah yüzeyinden daha uzun ya da daha geniş parçalar gerektiği gibi desteklenmezse devrilebilir. İşlenecek parçanın kesilmiş bölümü devrildiğinde, alt korkuluğu kaldırabilir ya da dönen bıçak tarafından fırlatılabilir.

m) Tezgah uzatması ya da ilave destek yerine bir başka kişi kullanmayın. İşlenecek parçanın gerektiği gibi desteklenmemesi, kesme işlemi sırasında bıçağın bükülmesine ya da işlenecek parçanın kaymasına neden olarak sizi ve yardımcınızı dönen bıçağın içine çekebilir.

n) Kesik parça asla dönen testere bıçağına sıkıştırılmamalı ya da bıçağı bastırılmamalıdır. Örneğin boy stoperleri kullanılarak bastırıldığında, kesilen parça bıçağı sıkışıp şiddetle fırlatılabilir.

o) Çubuk ve tüp gibi yuvarlak cisimleri gerektiği gibi desteklemek için her zaman bir mengene ya bu iş için geliştirilmiş bir tespit düzeneği kullanın. Çubuklar kesilirken yuvarlanma eğilimi göstererek, bıçağın «sırmamasına» ve işlenecek parçanın elinizle birlikte bıçağı çekilmesine neden olur.

p) İşlenecek parçaya değirmeden önce, bıçağın tam hızla ulaşmasını bekleyin. Böylesi bir davranış, işlenecek parçanın fırlatılma riskini azaltır.

q) İşlenecek parçanın ya da bıçağın sıkışması halinde, gönye testeresini durdurun. Bütün hareketli parçaların durmasını bekleyin ve fişi güç kaynağından çekin ve/veya pil paketini çıkarın. Sonra da sıkışan maddeyi kurtarmaya çalışın. Sıkışmış bir işlenecek parçayla kesmeyi sürdürmek kontrol kaybına ya da gönye testeresinde hasara neden olabilir.

r) Kesme işlemini tamamladıktan sonra, anahtar serbest bırakın, testere başını aşağıya doğru tutun ve kesik parçayı kaldırmadan önce testerenin durmasını bekleyin. Yavaşlayan bıçağı elinizi yaklaştırmak tehlikelidir.

s) Tamamlanmış bir kesme işlemi yapar ya da testere başı tümüyle aşağıya bakar konuma gelmeden önce anahtar serbest bırakırken tutamağı sıkıca kavrayın. Testerenin frenleme hareketi testere başını aniden aşağı yönde çekerek yaralanma riskine neden olabilir.

## AHŞAP KESME BİÇAĞI GÜVENLİĞİNİZ İÇİN TALİMATLAR

Testere bıçağı ve makineyi kullanmadan önce kılavuzu ve talimatları dikkatle okuyun.

Makine iyi bir durumda, mil deformasyonsuz ve titreşimsiz olmalıdır.

Testereyi korkuluklar yerinde değilken kullanmayın, korkulukları iyi çalışır durumda ve bakımlı bir şekilde tutun.

Operatörün güvenlik önlemleri, ayarlama ve makinenin çalışması konularında yeterince eğitim almış olduğundan emin olun.

Makineyi kullanırken daima gözlük ve kulak koruyucusu takın. Eldiven, sağlam kaymayan ayakkabı ve önlük takmanız önerilir.

Herhangi bir aksuvarı kullanmadan önce kullanma kılavuzuna bakın. Aksuvarın yanlış kullanılması hasara neden olabilir ve yaralanma olasılığını artırabilir.

Sadece bu kılavuzda belirtilen, EN 847-1 ile uyumlu ahşap bıçakları kullanın.

Testere bıçağında belirtilen maksimum hızla dikkat edin. Testere bıçağında belirtilen hızın, testere üzerinde belirtilen hızla eşit olduğundan emin olun.

Daima doğru büyüklükte ve biçimi bağlama flanşına uygun testere bıçakları kullanın. Testerenin montaj parçalarına uymayan testere bıçaklar, balansız çalışır ve aletin kontrol dışına çıkma olasılığını artırır.

Önerilenden daha büyük veya daha küçük çaplı bıçakları kullanmayın. Bıçağı mil üzerine oturtmak için herhangi bir ara parçası kullanmayın.

Her kullanımı öncesinde testere bıçağı uçlarının hasarlı veya anormal görünüme sahip olup olmadığını kontrol edin. Hasarlı veya gevşek uçlar kullanımı esnasında fırlayabilir ve kişisel yaralanma olasılığını artırabilir.

Çatlamış ve deforme olmuş testere bıçaklarını kullanmayın! Hasarlı veya şekli bozulmuş testere levhaları kullanmayın.

Hasar görmüş, deforme olmuş, çarpık veya kırık testere bıçaklarını hurdaya ayırın; onarımı izin verilmez.

Seri çalışma çeliğinden mamul bıçkı levhaları kullanmayın.

Testere bıçağının doğru bir şekilde monte edildiğinden emin olun, kullanmadan önce mil somununu iyice sıkın (sıkma torku yaklaşık 12 Nm).

Tespit vidası ve somunlar uygun bir anahtar vs. yardımıyla sıkılmalıdır.

Anahtarın genişletilmesine veya çekiç darbeleri ile sıkıştırmaya izin verilmez.

Bıçak ve flanşların temiz, bileziğin girintili kenarlarının bıçağına karşı olduğundan emin olun.

Bıçağın doğru yönde döndüğünden emin olun.

Bıçakların konumunu, korkulukların diğer makine parçalarına göre çalışmasını ve iş parçasını kontrol etmek için işe başlamadan önce, motor açılmadan deneme kesimi yapın.



Tür



Makineyi asla gözetimsiz bırakmayın.

Çalışırken bıçağa yağlayıcı uygulamayın.

Makine çalışırken ve kafa hareketizi konumunda değilken asla temizlik veya bakım çalışmaları yapmayın.

Makineyi asla bıçağa bir aleti veya başka araçları sıkıştırarak hızlı bir şekilde durdurmaya çalışmayın; istemeden ciddi kazalara neden olunabilir.

Bıçakları değiştirmeden veya bakım yapmadan önce testerenin fişini prizden çekin veya pil paketini çıkarın.

Bıçağı ambalajından çıkarırken ve ambalajına koyarken dikkat edin, keskin bıçak uçları kolayca yaralayabilir.

Testere bıçağını tutarken bıçak tutucu kullanın veya eldiven takın.

Bıçağı orijinal ambalajında veya başka bir uygun ambalajda tutun, kuru koşullarda saklayın ve bıçağa zarar verebilecek kimyasal maddelerden uzak tutun.

## EK GÜVENLİK VE ÇALIŞMA TALİMATLARI

İş parçasını daima güvenli ve emniyetli bir şekilde kelepçeleysin.

Daima makinenin durduğu yerin güvenli olmasını sağlayın (örneğin bir banka tutturun).

Koruyucu kulaklık kullanın. Gürültü etkisi işitme kaybını etkiler.

Makinada çalışırken devamlı surette koruyucu gözlük takın. Bıçakları ve kaba malzemeyi tutmak için eldiven giymenin yanı sıra ayakları da kesme alanından düşebilecek iş parçalarına karşı koruyan sağlam, kaymaz ayakkabı giymenizi önerilir.

Ayarlamadan, yağlamadan veya makinenin bakımını yapmadan önce elektrik fişinin ana güç kaynağından çıkarıldığından emin olun.

Aleti sadece kapalı iken prize takın.

Bıçak tamamen durmadıkça, bıçağın kenarındaki bölgelere kesinlikle uzanmayın.

Kullanmadan önce, aleti herhangi bir hasar veya malzeme yorgunluğuna karşı iyice kontrol edin. Hasarları parçaları sadece bir uzmana tamir ettiriniz.

Aletin koruyucu donanımını mutlaka kullanın. Korkuluklar yerinde değilse ve doğru çalışmıyorsa, makineyi kullanmayın.

Alt bıçak muhafazası sadece bıçak işlenecek parçaya indirildiğinde açık olmalı ve daima serbestçe hareket edebilmeli ve otomatik olarak kapanabilmelidir..

Çalışma sırasında daima işlenecek parçayı desteklemek için uzatma çubuğu tutucuları kullanın.

Testereyi veya işlevini asla değiştirmeyin. Güvenliğiniz açısından tehlikeli olabilir.

Kırık, hasarlı veya deforme olmuş testere bıçaklarını kullanmayın.

Seri çalışma çeliğinden mamul bıçkı levhaları kullanmayın.

Çatlak, hasarlı veya deforme olmuş testere bıçaklarını kullanmayın. Kör bıçakları yenisiyle değiştirin.

Daima doğru büyüklükte ve biçimi bağlama flanşına uygun testere bıçakları kullanın.

Testerenin montaj parçalarına uymayan testere bıçaklar, balanssız çalışır ve aletin kontrol dışına çıkmaya olasıdır.

Sadece bu kılavuzda belirtilen, EN 847-1 ile uyumlu ahsap bıçakları kullanın.

Testere bıçağını güvenceye almak için tedarik edilenler ya da kullanma kılavuzunda belirtilenler dışında herhangi bir flanş, pul ve somun kullanmayın.

Kesilecek malzeme için uygun bıçkı levhası seçin. Ürünü kesinlikle bu kılavuzun "amacına uygun kullanım" bölümünde belirtilenler dışındaki malzemeleri kesmek için kullanmayın.

Kesme işlemi sırasında bıçağın aşırı ısınmasını ve işlenecek plastik parçayı eritmesini önleyin.

Bıçkı levhası üzerinde yazılı bulunan maksimum devir sayısı dikkate alınacaktır. Sadece alet üzerine işaretlenmiş hıza eşit veya bundan daha yüksek hızla işaretlenmiş testere bıçağı kullanın.

Aşınmış veya hasar görmüş masa tablasını değiştirin.

Bıçakların konumunu, korkulukların diğer makine parçalarına göre çalışmasını ve iş parçasını kontrol etmek için işe başlamadan önce, motor açılmadan deneme kesimi yapın.

Gönye, eğri ya da bileşik gönye kesme sırasında doğru bıçak mesafesini sağlamak için sürgünlü kılavuzu ayarlayın.

Ürün taşınırken braket dayanağı daima takılı olmalıdır.

Üzerinde malzeme artıkları bulunan zemini, örneğin talas ve testere atıkları, boş bulundurun.

Makine çalışırken ve testere kafası sakın bir şekilde durmuyorken, testere artıklarını ve testere sahasının tezgahlarındaki diğer parçaları kaldırmayın.

Destekleme için uzun tezgah sopası uygundur. Testerenin çalışma alanı işlenecek parçanın tamamını kapsar. Operatör bu alanı diğer kişilerle veya çalışma sırasında işlenen parçayı hareket ettirebilecek nesnelere yanlışlıkla temasa karşı emniyete alınmalıdır.

Tahtalar uzun süre işlenirken veya sağlıklı zararlı toz çıkaran malzemeler profesyonel olarak işlenirken alet uygun bir toz emme donanımına bağlanmak zorundadır. Profesyonel kullanıcılar diğer malzemelere ilişkin hükümleri yetkili meslek kuruluşu ile açıklığa kavuşturmak zorundadır.

LED'i veya lazeri farklı bir tipte değiştirmeyin. Onarımlar yalnızca üretici veya yetkili servis tarafından yapılmalıdır.

Ani bir voltaj yükselmesi, voltaj dalgalanmalarına neden olur ve bu durum aynı güç hattındaki diğer elektronik ürünlere zarar verebilir. Voltaj dalgalanmalarını en aza indirmek için ürünü 0,3 Ω değerinde empedansa sahip bir güç kaynağına bağlayın. Daha fazla bilgi almak için elektrik gücü tedarikçiniz ile iletişime geçin.

## GÜVENLİĞİNİZ İÇİN TALİMATLAR LAZER

Bu testerede kullanılan lazer radyasyonu maksimum P<1mW ve λ: 650nm dalga boylarına ve II lazer sınıfına sahiptir. Optik aletlerle doğrudan bakmayın. Kurallara uyulmaması ciddi kişisel yaralanmalara neden olabilir.

İşletim esnasında ışına bakmayın.

Lazer ışını doğrudan başkalarının gözüne yansıtmayın. Ciddi göz hasarına neden olabilir.

Lazeri, başkalarının isteyerek veya istemeden lazer ışınına bakmasına neden olabilecek bir yere yerleştirmeyin.

Lazer ışınına bakmak için optik aletler kullanmayın.

Lazeri çocukların yanında çalıştırmayın veya çocukların lazeri çalıştırmasına izin vermeyin.

Lazer cihazını kendiniz tamir etmeye çalışmayın.

Lazer cihazının herhangi bir parçasını kendiniz değiştirmeye çalışmayın.

Onarımlar yalnızca üretici veya yetkili servis tarafından yapılmalıdır.

Takılmış bulunan lazer ünitesini başka tip lazer ünitesi ile değiştirmeyin



Tür

## KULLANIM

Sürgülü bileşik gönye testeresi, yapılandırılmış kaplama, plastik ve ahşaba benzer malzeme içeren ya da içermeyen masif ve yapılandırılmış ahşabın kesilmesi için tasarlanmıştır.

Sürgülü bileşik gönye testeresinin yalnızca kullanma kılavuzunu okumuş, risk ve tehlikeleri anlamış yetişkin operatörler tarafından kullanılması amaçlanmıştır.

Sürgülü bileşik gönye testeresi, sağlam bir tezgâh üzerine tabandan sabitlenmesi için tasarlanmıştır. Taban sıkıca sabitlenmezse, kesme işlemleri sırasında bütün makine hareket edebilir, bu da ciddi kişisel yaralanma olasılığını artırır.

Sürgülü bileşik gönye testeresi, eğri ve gönyeli kesimler yapmak için tasarlanmıştır. Farklı kesimlere ilişkin kapasiteler, bu kılavuzdaki ürün özelliklerinde belirtilmiştir.

Sürgülü bileşik gönye testeresi mükemmel ortam aydınlatmasına ve yeterli havalandırmaya sahip, kuru koşullarda kullanılmak üzere tasarlanmıştır.

Sürgülü bileşik gönye testeresi tüketici kullanımına yönelik tasarlanmıştır; yalnızca yukarıda tarif edildiği gibi kullanılmalı ve başka herhangi bir amaç için kullanılmamalıdır.

## KALAN TEHLİKELER

Sürgülü bileşik gönye testeresi tarif edildiği gibi kullanıldığında bile, bazı kalıntı risk faktörlerini tamamen ortadan kaldırmak imkansızdır. Aşağıdaki tehlikeler ortaya çıkabilir ve operatör bunlardan kaçınmak için özel dikkat göstermelidir:

- Dönen testere bıçağının kapatılmamış parçaları ile temas riski.
- Yanlış ayar veya tutma nedeniyle iş parçalarının veya iş parçası parçalarının geri tepmesi.
- Hatalı karbür uçlarının testere bıçağından fırlaması.
- Solunum sisteminde hasar.

NOT: Üzerinde çalışılan malzemelere uygun filtreler içeren solunum koruyucu maskeler takın.

Çalışma yerinin yeterince havalandırmasını sağlayın. Çalışma alanında yemek yemeyin, içecek veya sigara içmeyin.

Kulak koruyucu takılmadıysa, işitmede hasar görülebilir.

## UYARI

Bazı boya, kaplama ve malzemelerdeki tozlar, tahrişe veya solunum sisteminde alerjik reaksiyonlara neden olabilir. Meşe, kayın, MDF vb. ahşapların tozları kanserojendir. Asbest içeren malzemeler sadece nitelikli uzman operatörler tarafından işlenmelidir.

## UYARI

Bir aletin uzun süre kullanılması yaralanmalara veya yaraların şiddetlenmesine neden olabilir. Herhangi bir aleti uzun süre kullanırken, düzenli mola verdiğinizden emin olun.

## ÜRÜNÜNÜZÜ TANIMIN

Bkz. sayfa A.

- |                                       |                                   |
|---------------------------------------|-----------------------------------|
| 1. Tutamak, yalıtılmış kavrama yüzeyi | 10. Üst tutamak                   |
| 2. Anahtar tetiği                     | 11. Üst korkuluk                  |
| 3. Emniyet kilidi kolu                | 12. Toz kanalı                    |
| 4. Dış flanş                          | 13. Lineer çubuk durdurma düğmesi |
| 5. Testere bıçağı                     | 14. Kelepçe                       |
| 6. Alt korkuluk                       | 15. Eğim açısı kilit kolu         |
| 7. Sabit parmaklık                    | 16. Hareketli parmaklık           |
| 8. Çentik plakası                     | 17. İşlenecek parça tutucu        |
| 9. Döner tabla kilit tutamağı         | 18. Uzatma çubuğu                 |

19. Montaj delikleri x4

20. Döner tabla

21. Gönye skalası

22. 45° eğim açısı ayar vidası

23. 90° eğim açısı ayar vidası

24. LED anahtar

25. Lazer anahtarı

26. Mil kilidi düğmesi

27. Kesme derinliği ayar plakası

28. Kesme derinliği ayar düğmesi

## DEĞİŞTİRME LİSTESİ

- PS 216 L: Çekme kapaklı ve çapraz testere EN 847-1/ ø216 x ø30 x 2,4 / 48T / HW / n Maks. 7000 min-1 (Sayfa A: No. 5)
- PS 254 L: Çekme kapaklı ve çapraz testere EN 847-1/ ø254 x ø30 x 2,6 / 48T / HW / n Maks. 7400 min-1 (Sayfa A: No. 5)
- KÇentik plakası (Sayfa A: No. 8)

## ŞEBEKE BAĞLANTISI

Aleti sadece tek fazlı alternatif akıma ve tip etiketi üzerinde belirtilen şebeke gerilimine bağlayın. Yapısı Koruma sınıfı II'ye girdiğinden alet koruyucu kontaksız prize de bağlanabilir.

Açık havadaki prizler hatalı akım koruma salterleri (FI, RCD, PRCD) ile donatılmış olmalıdır. Bu, elektrik tesisatındaki bir zorunluluktur. Lütfen aletimizi kullanırken bu hususa dikkat edin.

Aleti sadece kapalı iken prize takın.

Bağlantı kablosunu aletten uzak tutun. Kablo daima aletin arkasında olmalıdır ve toplanmamalıdır.

Her kullanımdan önce alet, bağlantı kablosu, uzatma kablosu ve fişin hasarlı olup olmadığını ve eskiyi eskimeğini kontrol edin. Hasarlı parçaları değiştirme uzmanına onartın.

Ani bir voltaj yükselmesi, voltaj dalgalanmalarına neden olur ve bu durum aynı güç hattındaki diğer elektronik ürünlere zarar verebilir. Voltaj dalgalanmalarının en az indirmek için ürünün 0,3 Ω değerinde empedansa sahip bir güç kaynağına bağlayın.

Daha fazla bilgi almak için elektrik gücü tedarikçiniz ile iletişime geçin.

## BAKIM

Bu testereyi herhangi bir şekilde değiştirmeyin veya üretici tarafından onaylanmamış aksesuarları kullanmayın. Sizin ve başkalarının güvenliği açısından tehlikeli olabilir.

Bu testerenin herhangi bir anahtarı, korkuluğu veya başka bir işlevi amaçlandığı gibi çalışmıyorsa, testereyi kullanmayın. Profesyonel onarım veya ayarlama için yetkili bir servis merkezine danışın.

Testere bıçağı hareket halindeyken herhangi bir ayar yapmayın.

Ayarlamadan, yağlamadan veya makinenin bakımını yapmadan önce elektrik fişinin ana güç kaynağından çıkarıldığından emin olun.

Her kullanım öncesinde ve sonrasında, testerede hasar veya kırık parça olup olmadığını kontrol edin ve parçaları üreticinin onayladığı yedek parçalarla derhal değiştirerek testereyi en üst düzeyde çalışma koşullarında tutun.

Bıçak kullanıldıktan sonra oldukça ısınır; bakım veya temizlik prosedürlerinden önce eldiven giyin veya bıçağı soğumaya bırakın.

Biriken tozu bir fırça veya elektrikli süpürge ile temizleyin. Basınçlı hava kullanmayın.

Güvenlik ve güvenilirliği sağlamak için, fırça değişikliği dâhil olmak üzere tüm onarımlar yetkili bir servis merkezi tarafından yapılmalıdır.

Cihazı ve koruyucu tertibatı kuru bir bezle temizleyiniz.

Aletin havalandırma aralıklarını daima temiz tutun.

## Türkçe

Besleme kablosunun değiştirilmesi gerekiyorsa, bir güvenlik tehlikesi oluşturmamak için bu işlemin üretici ya da temsilcisi tarafından yapılması gerekir.

Sadece AEG aksesuarını ve yedek parçalarını kullanın. Değiştirilmesi açıklanmamış olan parçaları bir AEG müşteri servisinde değiştirin (Garanti broşürüne ve müşteri servisi adreslerine dikkat edin).

Gerektiği takdirde aletin dağılık görünüş şeması, alet tipinin ve tip etiketi üzerindeki sayının bildirilmesi koşuluyla müşteri servisinden veya doğrudan Techtronic Industries GmbH, Max-Eyth-Straße 10, 71364 Winnenden, Germany adresinden istenebilir.

## CE UYGUNLUK BEYANI

"Teknik veriler" başlığı altında tanımlanan ürünün, sayılı direktiflerdeki tüm hükümleri

2011/65/EU (RoHS)

2006/42/EC

2014/30/EU

uyumlaştırılmış standartları

EN 62841-1:2015

EN 62841-3-9:2015+A11:2017

EN 55014-1:2017

EN 55014-2:2015

EN 61000-3-2:2014

EN 61000-3-11:2000

EN IEC 63000:2018



Winnenden, 2019-03-08

*Alexander Krug*

Alexander Krug / Managing Director  
Teknik evrakları hazırlamakla görevlendirilmiştir.

Techtronic Industries GmbH  
Max-Eyth-Straße 10, 71364 Winnenden, Germany

## SEMBOLLER



**DİKKAT! UYARI! TEHLİKE!**



Aletin kendinde bir çalışma yapmadan önce fişi prizden çekin.



**UYARI-Yaralanma riskini azaltmak için kullanıcı kullanım talimatlarını okumalıdır!**



Aletle çalışırken daima koruyucu gözlük kullanın.



Koruyucu kulaklık kullanın!



Koruyucu eldivenlerinizi takınız!



Elinizi hiçbir zaman testere levhasına doğru tutmayın.



Bu alet sadece kapalı mekânlarda kullanılmaya uygundur, yağmur altında bırakmayın



Toz kanalı bağlantı noktası



Yalnızca ahşap malzeme kesin.



Lazer ışınına bakmayın.



Ürün, EN 60825-1:2014'e göre 2. lazer sınıfına uygundur.



Testere bıçağı çapı x delik çapı



Dönme yönü



Bıçak dişleri



Kesme genişliği

**n<sub>0</sub>**

Boştaki devir sayısı

**V**

Volтаж



Dalgalı akım



Koruma sınıfı II olan elektrikli aletler. Elektrik çarpmasına karşı korumanın sadece temel izolasyona bağlı olmayıp, aynı zamanda çift izolasyon veya takviyeli izolasyon gibi ek koruyucu önlemlerin alınmasına bağlı olan elektrikli alet.

Bir koruyucu iletken bağlamak için düzeneği bulunmamaktadır.



Elektrikli cihazların evsel atıklarla birlikte bertaraf edilmesi yasaktır. Elektrikli ve elektronik cihazlar ayrılarak biriktirilmeli ve çevreye zarar vermeden bertaraf edilmeleri için bir atık değerlendirme tesisine götürülmelidirler. Yerel makamlara veya satıcınıza geri dönüşüm tesisleri ve atık toplama merkezlerinin yerlerini danışınız.



Avrupa uyumluluk işareti



Ukrayna uyumluluk işareti



Avrasya uyumluluk işareti



Tür

Türkçe

TECHNICKÁ DATA Pokosové pily *	PS 216 L	PS 254 L
Výrobní číslo	4699 98 01 ... ... 000001-999999	4699 99 01 ... 4740 22 01 ... ... 000001-999999
Jmenovitý příkon	220-240 V, 50 HZ, 1400W, 6,5 A	220-240 V, 50 HZ, 1800W, 8,7 A
Volnoběžné otáčky	5000 min <sup>-1</sup>	4500 min <sup>-1</sup>
Pilový kotouč ø x díra ø	216 x 30 mm	254 x 30 mm
Tloušťka čepele těla pily max.	1,6 mm	1,8 mm
Tloušťka čepele zubů pily min.	2,4 mm	2,6 mm
Max. střížný výkon Pokos 0° / naklopení 0° Pokos 45° / naklopení 0° Pokos 0° / naklopení 45° Pokos 45° / naklopení 45°	65 x 305 mm 65 x 215 mm 36 x 305 mm 36 x 215 mm	90 x 305 mm 90 x 215 mm 50 x 305 mm 50 x 215 mm
Hmotnost podle prováděcího předpisu EPTA 01/2014	16,7 kg	19,6 kg
<b>Informace o hluku</b> Naměřené hodnoty odpovídají EN 62841. V třídě A posuzovaná hladina hluku přístroje činí typicky: Hladina akustického tlaku (Kolísavost K=3dB(A)) Hladina akustického výkonu (Kolísavost K=3dB(A)) <b>Používejte chrániče sluchu !</b>	99,27 dB (A) 112,27 dB (A)	95,15 dB (A) 108,15 dB (A)

\*PS  $\triangleq$  Pokosové pily

## VAROVÁNÍ!

Deklarovaná hodnota (hodnoty) emisí hluku byla měřena v souladu se standardní zkušební metodou podle EN 62841-1 a EN 62841-3-9 a může být použita ke srovnání jednoho nástroje s jiným. Deklarovaná hodnota (hodnoty) emisí hluku se mohou také použít pro předběžné posouzení expozice.

Emise hluku při vlastním používání elektronářadí se mohou lišit od deklarovaných hodnot v závislosti na tom, jakým způsobem se nářadí používá, zejména jaký druh obrobku se opracovává.

Definujte bezpečnostní opatření na ochranu pracovníka obsluhy, která se zakládají na odhadu zatížení během skutečných podmínek používání (přitom se zohlední všechny části provozního cyklu, například časy, během kterých je elektrické nářadí vypnuto a ty, během kterých je sice zapnuto, ale běží bez zatížení).

Používejte chrániče sluchu. Nadměrný hluk může vést ke ztrátě sluchu.

**VAROVÁNÍ** Přečtěte si všechny bezpečnostní pokyny, instrukce, popisy a údaje, které obdržíte s přístrojem. Pokud následující pokyny nedodržíte, může to vést k úderu elektrickým proudem, požáru nebo těžkým poraněním.

**Všechna varovná upozornění a pokyny do budoucna uschovejte.**

## BEZPEČNOSTNÍ INSTRUKCE PRO POKOSOVÉ PILY

**a) Pokosové pily jsou vroubkované pro řezání dříví nebo výrobků podobných dřevu, nemohou být použity s brusnými kotouči pro řezání kovových materiálů jako např. tyče, kulatiny, čepy, atd.** Brusný prach způsobuje zadření pohyblivých částí (např. spodní kryt). Jiskry od brusného prachu zapálí spodní kryt, řeznou vodící spáru a další plastové díly.

**b) Pokud je to možné, použijte svorky pro připevnění zpracovávaného kusu. Pokud zpracovávaný kus přidržujete rukou, vaše ruka musí být nejméně 100 mm od pilového kotouče. Nepoužívejte tuto pilu k řezání příliš malých kousků, které nejsou pevně přidržet rukou. Pokud je ruka příliš blízko pilového kotouče, je zde riziko poranění kvůli možnému kontaktu ruky a kotouče.**

**c) Zpracovávaný kus musí být stacionární a musí být správně připevněn nebo držen jak na ochranném rámu, tak i na pracovním stole. Nestrkejte zpracovávaný kus přímo proti kotouči a v žádném případě jej nikdy nedržte pouze ve vzduchu v ruce. Nepřípevněný a pohybující se zpracovávaný kus může nabýt velké rychlosti a způsobit zranění vám, nebo třetímu osobám.**

**d) Tlačte pilu skrze zpracovávaný kus. Netahejte pilu skrze zpracovávaný kus. Pro řez zvedněte hlavu pily a bez řezání jí přes zpracovávaný kus vytáhněte, spusťte motor, tlačte hlavu pily dolů a tlačte pilu skrze zpracovávaný kus. Řezání tlačení pravděpodobně způsobí, že kotouč pily vyjede na horní straně zpracovávaného kusu a prudce hodí celou pilou směrem k obsluze.**

**e) Nikdy nekrížte ruce nad zamýšleným řezem před nebo za kotoučem pily. Přidržení zpracovávaného kusu „přes ruku“ tzn. držení zpracovávaného kusu na pravé straně kotoučem pily a na levé straně vaší rukou (nebo naopak) je velmi nebezpečné.**

f) Nešahejte kvůli odstranění dřevěných pilin, nebo z jiného důvodu, žádnou rukou za ochranný rám blíže než 100 mm od pilového kotouče, když se ještě pilový kotouč točí. Blízkost pilového kotouče u vaší ruky nemusí být zřejmá a může způsobit vážná zranění.

g) Před řezáním zkontrolujte zpracováváný kus. Pokud je tento kus vyboulený nebo pokroucený, připevněte jej vyboulenou stranou k ochrannému rámu. Vždy se ujistěte, že se mezi ve směru řezu mezi zpracováváním kusem, ochranným rámem a pracovním stolem nenachází žádná mezera. Ohnuté nebo pokroucené zpracováváné kusy se mohou kroutit nebo zvednout a mohou se při řezání navázat na samotný kotouč.

h) Nepoužívejte pilu, pokud není stůl zcela prost všeho nářadí, zbytků dřeva atp., s výjimkou zpracováváného kusu. Drobné nečistoty nebo uvolněné kousky dřeva, či jiného objektu, které jsou v kontaktu s otáčivým ostřím, mohou být vrženy vysokou rychlostí.

i) Řežejte vždy pouze jeden zpracováváný kus. Skládané vícenásobné zpracováváné kusy nelze dostatečně sevřít nebo jinak připevnit a mohou se přichytit na ostří kotouče nebo během řezání posunout.

j) Před použitím se ujistěte, že pokosová pila je namontovaná a umístěna na úrovni pevné pracovní plochy. Úroveň pevné pracovní desky snižuje riziko nestability pokosové pily.

k) Naplánujte si svou práci. Vždy změňte zkosení nebo nastavení úhlu pokosu. Ujistěte se, že nastavitelný plot je správně nastaven pro uchycení zpracováváného kusu a nebudete v konfliktu s ostřím nebo systémem ochranných krytů. Bez zapnutého tlačítka "ON" a bez zpracováváného kusu na pracovním stole posuňte čepel pily po dráze simulovaného řezu aby jste zjistili, že zde nehrozí žádný kontakt nebo nebezpečí přerážnutí plotu.

l) Poskytněte odpovídající uchycení, jako rozšíření pracovního stolu, podpěrné kozy, atd. pro zpracováváný kus, který je širší nebo delší, než deska pracovního stolu. Zpracováváný kus delší nebo širší, než deska pracovního stolu, se může ohnout, pokud není správně podepřen. Pokud se část zpracováváného kusu ohne, může být tento kus zvednut na spodní kryt nebo být hozen na rotující ostří kotouče.

m) Nepoužívejte jinou osobu jako náhradu za prodloužení stolu nebo jako další podporu. Nestabilní uchycení zpracováváného kusu může způsobit zaseknutí ostří nebo posunutí zpracováváného kusu, což hodí vás nebo vašeho pomocníka přímo na ostří kotouče.

n) Uříznutý kousek se nesmí vzpříčit nebo být vlisován jakýmkoliv způsobem proti otáčejícímu se řeznému kotouči. Při omezení, tj. pomocí dorazů, se může uříznutý kus zaklínit proti čepeli.

o) Vždy používejte svorky nebo držák navržený tak, aby správně přichytily kulatý materiál, jako jsou tyče nebo potrubí. Tyče mají tendenci se valit, zatímco se kotouč „zakousne“ a vystřelí vaší práci, i vaše ruce, přímo proti čepeli.

p) Před kontaktem se zpracováváním kusem nechte disk roztočit na plnou rychlost. Tím se sníží riziko vymrštění zpracováváného kusu.

q) Pokud zpracováváný kus nebo čepel uvízne, vypněte pilu. Vyčkejte, dokud se všechny pohyblivé části úplně nezastaví a odpojte zástrčku od zdroje napájení/nebo vyjměte akumulátor. Poté můžete uvolnit zpříčený materiál. Pokud budete pokračovat v řezání se vzpříčeným materiálem, můžete ztratit kontroly nad přístrojem nebo poškodit pokosovou pilu.

r) Po skončení řezání uvolněte spínač, držte hlavu pily směrem dolů a před vyndáním řezaného kousku počkejte, než se čepel zastaví. Je nebezpečné nechat ruce v blízkosti dobihajícího kotouče.

s) Pevně držte rukojeť při provádění neúplného řezu nebo při uvolnění tlačítka, než se hlava pily kompletně přesune do spodní pozice. Brzdny účinek pily může způsobit, že je hlava pily náhle tažena směrem dolů, což zvyšuje riziko zranění.

#### KOTOUČ NA ŘEZÁNÍ DŘEVA SPECIÁLNÍ BEZPEČNOSTNÍ UPOZORNĚNÍ

Před použitím pilového kotouče a zařízení si pozorně přečtěte návod a instrukce.

Zařízení musí být v dobrém stavu, hřídel bez deformací a vibrací. Nepoužívejte pilu bez ochranných krytů v určené pozici, udržte ochranné kryty v dobrém provozním stavu a řádně o ně pečujte.

Zajistěte, aby byl operátor dostatečně vyškolen ohledně bezpečnostních opatření, nastavení a provozu zařízení.

Při používání zařízení vždy noste ochranné brýle a ochranu sluchu. Doporučuje se nosit rukavice, odolnou protiskluzovou obuv a zástěru.

Před použitím jakéhokoli příslušenství nahleďte do návodu k obsluze. Nesprávné použití příslušenství může zapříčinit poškození a zvýšit možnost zranění.

Používejte pouze kotouče specifikované v tomto návodu, které splňují požadavky normy EN 847-1.

Dodržte maximální rychlost vyznačenou na pilovém kotouči. Zajistěte, aby byla rychlost vyznačená na pilovém kotouči přinejmenším rovná rychlosti vyznačené na pile.

Používejte vždy pilové kotouče ve správné velikosti a s vhodným upínacím otvorem. Pilové kotouče, jež se nehodí k montážním dílům pily, běží nekruhově a vedou ke ztrátě kontroly.

Nepoužívejte kotouče větších ani menších průměrů, než je doporučeno. Nepoužívejte žádné rozpěrky, aby kotouč zapadl do hřídele.

Před každým použitím zkontrolujte hroty pilového kotouče ohledně poškození nebo neobvyklého vzhledu. Hroty, které jsou poškozené nebo uvolněné, se mohou stát při používání létajícími objekty a zvýšit tak šanci na zranění osob.

Popraskané nebo zdeformované pilové listy nesmí být používány! Nepoužívejte poškozené nebo deformované pilové listy.

Vyřadte pilový kotouč v případě poškození, deformace, zkřivení nebo prasknutí, oprava není povolena.

Nepoužívejte pilové listy vyrobené z rychlořezné oceli

Zajistěte, aby byl pilový kotouč správně namontován, před použitím bezpečně utáhněte matici hřídele (utahovací moment cca. 12 Nm).

Upevňovací šroub a matice musí být utaheny pomocí příslušného šroubového klíče, atd.

Nástavec klíče ani utahování pomocí úderů kladiva nejsou povoleny.

Ujistěte se, že kotouč a příruby jsou čisté a zapuštěné strany nákrůžku jsou proti kotouči.



Ujistěte se, že kotouč se otáčí ve správném směru.

Před zahájením prací proveďte zkušební řez bez zapnutého motoru tak, abyste mohli zkontrolovat polohu kotouče, činnost ochranných krytů s ohledem na ostatní části zařízení a obrobek.

Nikdy nenechávejte zařízení bez dozoru.

Neaplikujte žádné mazivo na kotouč, když je v chodu.

Nikdy neprovádějte čistící ani údržbové práce, když je zařízení stále v chodu a hlava není v klidové poloze.

Nikdy se nepokoušejte zastavit zařízení v pohybu rychle zablokováním nástroje nebo jiných prostředků proti kotouči, tímto způsobem by mohlo neúmyslně dojít k vážným nehodám.

Odpojte pilu od elektrické sítě nebo vyjměte akumulátor před výměnou kotouče nebo prováděním údržby.

Věnujte pozornost balení a vybalování kotouče, snadno se můžete zranit ostrými hroty kotouče.

Při manipulaci s pilovým kotoučem používejte držák kotouče nebo noste rukavice.

Udržujte a skladujte kotouč v originálním obalu nebo jiném vhodném obalu, udržujte v suchu a pryč od chemických látek, které mohou kotouč poškodit.



## DALŠÍ BEZPEČNOSTNÍ A PRACOVNÍ POKYNY

Vždy upněte obrobek bezpečně.

Zajistěte stabilní polohu stroje (například upevněním na pracovní stůl)..

Používejte chrániče sluchu. Nadměrný hluk může vést ke ztrátě sluchu.

Při práci s elektrickým nářadím používejte vždy ochranné brýle. Doporučuje se používat rukavice pro manipulaci s kotouči a hrubým materiálem, stejně jako odolnou protiskluzovou obuv, která také chrání nohy před obrobky, které mohou spadnout z prostoru řezání.

Vždy se ujistěte, že byla síťová zástrčka vyjmuta ze síťového zdroje, než provedete úpravy, mazání nebo při údržbě výrobku.

Stroj zapínat do zásuvky pouze když je vypnutý.

Nikdy nesahejte do oblasti v blízkosti kotouče, dokud se kotouč úplně nezastaví.

Před použitím důkladně zkontrolujte nástroj ohledně jakéhokoliv poškození nebo únavy materiálu. Poškozené díly nechte opravit u odborníka.

Bezpodmínečně používat ochranná zařízení přímočaré pily.

Nepoužívejte zařízení, pokud ochranné kryty nejsou na svém místě a nefungují správně.

Spodní ochranný kryt kotouče by se měl otevřít pouze tehdy, je-li kotouč spuštěn na obrobek, a musí se vždy pohybovat volně a automaticky se uzavírat..

Při provozu vždy upevněte a používejte držáky prodlužovací listy pro podporu obrobku.

Nikdy nemodifikujte ani neupravujte pilu ani její funkci. Může být ohrožena vaše bezpečnost.

Nepoužívejte pilové kotouče, které jsou prasklé, poškozené nebo deformované.

Nepoužívejte pilové listy vyrobené z rychlořezné oceli

Používejte pouze pilové kotouče, které jsou ostré. Vyměňte tupé kotouče za novou náhradu.

Používejte vždy pilové kotouče ve správné velikosti a s vhodným upínacím otvorem.

Pilové kotouče, jež se nehodí k montážním dílům pily, běží nekrühově a vedou ke ztrátě kontroly.

Používejte pouze dřevoobráběcí kotouče specifikované v tomto návodu, které splňují požadavky normy EN 847-1.

Nepoužívejte jakékoli přírubby, podložky ani matice k zajištění pilového kotouče, pouze ty, které byly dodány nebo uvedeny v návodu k obsluze.

Vyberte pilový list vhodný k řezání vybraného materiálu. Nikdy nepoužívejte výrobek na řezání materiálů jiných, než jsou uvedeny v odstavci zamýšleného použití v tomto návodu.

Při řezání je důležité zabránit přehřátí kotouče a roztavení plastového obrobku.

Dodržujte maximální počet otáček uvedený na pilovém listu.

Používejte pouze pilový kotouč, který je označen rychlostí rovnající se nebo vyšší než je rychlost uvedená na nástroji.

Vyměňte stovolov vložku, když je opotřebená nebo poškozená.

Před zahájením prací proveďte zkušební řez bez zapnutého motoru tak, abyste mohli zkontrolovat polohu kotouče, činnost ochranných krytů s ohledem na ostatní části zařízení a obrobek.

Při provádění pokosu, úkosu nebo složených pokosových řezů nastavte posuvnou tyč pro zajištění správné vzdálenosti od čepele.

Při přepravě výrobku musí být vždy zajištěna záračka konzoly.

Udržujte čistotu a pravidelně zametejte piliny a odřezky.

Neodstraňujte odřezky a jiné zbytky materiálu z řezného prostoru dokud pila běží a řezná hlava je v pohybu.

Dlouhé obrobky vhodným způsobem podepřete. Pracovní plocha pily zahrnuje celý rozsah obrobku. Obsluha musí tuto oblast zabezpečit před náhodným kontaktem s jinými osobami nebo předměty, které mohou pohybovat obrobkem během provozu.

Prach vznikající při práci bývá zdraví škodlivý, a proto by se neměly vdechovat. Používejte odsávání prachu a navíc se chraňte vhodnou ochrannou maskou. Usazený prach dobře odstraňte, např. odsátím. Nevyměňujte LED ani laser za jiný typ. Veškeré opravy musí být prováděny pouze výrobcem nebo autorizovaným servisním technikem.

Mohou ovlivnit ostatní elektrické přístroje na stejném napájecím okruhu. Připojte výrobek ke zdroji napájení s impedancí rovné 0,3  $\Omega$  pro minimalizaci napěťové fluktuace. Více informací vám poskytne váš dodavatel elektrické energie.

## SPECIÁLNÍ BEZPEČNOSTNÍ UPOZORNĚNÍ LASER

Laserové zařízení použité v této pile je Třída II s maximem  $P \leq 1 \text{ mW}$  a  $\lambda$ : 650nm vlnových délek. Nedívejte se přímo pomocí optických přístrojů. Nedodržení pravidel může mít za následek vážné zranění osob.

Nedívejte se do paprsku během provozu.

Nezaměřujte laserový paprsek přímo do očí jiných lidí. Výsledkem by mohlo být vážné poranění očí.

Nedávejte laser do takové polohy, která by mohla způsobit, že leckdo by hleděl do laserového paprsku úmyslně nebo neúmyslně.

Nepoužívejte optické nástroje k hledění do laserového paprsku.

Neprovozujte laser v blízkosti dětí ani nedovolte dětem laser obsluhovat.

Nepokoušejte se opravit laserové zařízení sami.

Nepokoušejte se vyměnit jakékoli části laserového zařízení sami.

Veškeré opravy musí být prováděny pouze výrobcem nebo autorizovaným servisním technikem.

Nezaměřujte zabudovaný laser za laser jiného typu.

## OBLAST VYUŽITÍ

Pokosová pila je určena pro řezání kompaktního a lepeného dřeva s nebo bez lepených dřív, plastů a materiálů podobných dřevu.

Pokosová pila je určena k používání pouze dospělými osobami, které si přečetli tento návod k obsluze a pochopili rizika a nebezpečí.

Pokosová pila je určena k upevnění na základně k vrchní části pevného pracovního stolu. V případě, že základna není bezpečně upevněna, celé zařízení se může při operacích řezání pohybovat, což zvyšuje možnost vážného zranění osob.

Pokosová pila je určena k provádění zkosení a pokosu. Možnosti různých řezů jsou uvedeny v produktových specifikacích v tomto návodu.

Pokosová pila se má používat v suchých podmínkách, s výborným okolním osvětlením a dostatečným větráním.

Pokosová pila je určena pro spotřebitelské používání a měla by se používat jen tak, jak je popsáno výše, a není určena pro jakýkoli jiný účel.

## ZBYVAJÍCÍ RIZIKA

I když se pokosová pila používá tak, jak je předepsáno, je stále nemožné zcela vyloučit určité faktory zbytkového rizika. Mohou vzniknout následující nebezpečí a provozovatel by měl věnovat zvláštní pozornost, aby se zabránilo následujícím:

- Riziko kontaktu s nekrýtnými částmi rotujícího pilového kotouče.
- Zpětný odraz obrobků nebo částí obrobků v důsledku nesprávného nastavení nebo manipulace.
- Katapultace vadných karbidových hrotů z pilového kotouče.
- Poškození dýchacích cest.

**POZNÁMKA:** Noste masky na ochranu dýchacích cest obsahující filtry vhodné pro materiály, s nimiž se pracuje.

Zajistěte vhodné větrání na pracovišti. Nejezte, nepijte a nekuřte v pracovní oblasti.

Poškození sluchu, pokud se nepoužívá účinná ochrana sluchu.

## VAROVÁNÍ

Prach z některých nátěrů, povlaků a materiálů může způsobit podráždění nebo alergické reakce dýchacího systému. Prach ze dřeva, jako jsou dub, buk, MDF a ostatní, je karcinogenní. S materiálem obsahujícím azbest se smí pracovat, resp. smí být zpracováván pouze kvalifikovanými odbornými pracovníky.

## VAROVÁNÍ

Zranění mohou být způsobena nebo zhoršena dlouhodobým používáním nástroje. Pokud používáte jakýkoli nástroj prodlouženou dobu, zajistěte, abyste si dělali pravidelné přestávky.

## POZNEJTE SVŮJ PRODUKT

Viz stranu A.

- |  |                                       |
|--|---------------------------------------|
| 1. Rukojeť, izolační uchopovací plocha | 9. Rukojeť zámku otočného talíře      |
| 2. Spouštěč spínače                    | 10. Horní rukojeť                     |
| 3. Páka bezpečnostního uzávěru         | 11. Horní kryt                        |
| 4. Vnější příruba                      | 12. Prachový žlab                     |
| 5. Pilový kotouč                       | 13. Zastavovací knoflík lineární tyče |
| 6. Dolní kryt                          | 14. Svorka                            |
| 7. Fixní bariéra                       | 15. Páka uzavření úhlu zkosení        |
| 8. Podložka pro nastavení řezu         | 16. Posuvná bariéra                   |
|  | 17. Držák obrobku                     |

- |  |   |
|--|---|
| 18. Prodlužovací lišta                 | 24. LED spínač                          |
| 19. Montážní otvory x4                 | 25. Laserový spínač                     |
| 20. Otočný talíř                       | 26. Tlačítko zámku vřetena              |
| 21. Pokosová stupnice                  | 27. Podložka pro nastavení hloubky řezu |
| 22. Šroub k nastavení úhlu zkosení 45° | 28. Knoflík pro nastavení hloubky řezu  |
| 23. Šroub k nastavení úhlu zkosení 90° |   |

## NÁHRADNÍ SEZNAM

- PS 216 L: Pokosové pily EN 847-1/ ø216 x ø30 x 2,4 / 48T / HW / n max. 7000 min<sup>-1</sup> (Stranu A: No. 5)
- PS 254 L: Pokosové pily EN 847-1/ ø254 x ø30 x 2,6 / 48T / HW / n max. 7400 min<sup>-1</sup> (Stranu A: No. 5)
- KPodložka pro nastavení řezu (Stranu A: No. 8)

## PŘIPOJENÍ NA SÍT

Připojit pouze do jednofázové střídavé sítě o napětí uvedeném na štítku. Lze připojit i do zásuvky bez ochranného kontaktu nebo spotřebič z třídy II.

Ve venkovním prostředí musí být zásuvky vybaveny proudovým chráničem (FI, RCD, PRCD). Je to vyžadováno instalačním předpisem pro toto el.zařízení. Dodržujte ho při používání tohoto nářadí, prosím.

Stroj zapínat do zásuvky pouze když je vypnutý.

Neustále dbát na to, aby byl kabel pro připojení k elektrické síti mimo dosah stroje. Kabel vést vždy směrem dozadu od stroje.

Před každým použitím nabíječky překontrolujte přívodní kabel, prodlužovací kabel a zástrčku zda nejsou poškozeny a nebo zestárlé. Poškozené díly nechte opravit odborníky.

Mohou ovlivnit ostatní elektrické přístroje na stejném napájecím okruhu. Připojte výrobek ke zdroji napájení s impedancí rovné 0,3 Ω pro minimalizaci napěťové fluktuační.

Více informací vám poskytne váš dodavatel elektrické energie.

## ÚDRŽBA

Neupravujte tuto pilu žádným způsobem ani nepoužívejte příslušenství, které není schváleno výrobcem. Může být ohrožena vaše bezpečnost a bezpečnost jiných osob.

Nepoužívejte pilu, pokud nějaké přepínače, ochranné kryty nebo jiné funkce této pily nefungují tak, jak je zamýšleno. Vraťte do autorizovaného servisního střediska na profesionální opravu nebo nastavení.

Nedělejte žádné úpravy, když je pilový kotouč v pohybu.

Vždy se ujistěte, že byla síťová zástrčka vyjmuta ze síťového zdroje, než provedete úpravy, mazání nebo při údržbě výrobku.

Před a po každém použití zkontrolujte pilu ohledně poškození nebo porušených dílů a udržujte ji v optimálním provozním stavu tím, že okamžitě vyměníte díly za náhradní díly schválené výrobcem.

Kotouč je po použití velmi horký, použijte rukavice nebo nechte vychladnout před údržbou nebo čistícími procesy.

Odstraňte nahromaděný prach pomocí kartáče nebo vysavače. Nepoužívejte stlačený vzduch.

Pro zajištění bezpečnosti a spolehlivosti by měly být všechny opravy, včetně výměny kartáčů, prováděny v autorizovaném servisním středisku.

Přístroj a ochranný kryt čistěte suchým hadříkem.

Větrací štěrbiny nářadí udržujeme stále čisté.



V případě nutnosti výměny napájecího kabelu ji musí provést výrobce nebo jeho zástupce, aby nedošlo k ohrožení bezpečnosti. Používejte výhradně náhradní díly a příslušenství AEG. Díly, jejichž výměna nebyla popsána, nechávejte vyměnit v odborném servisu AEG. (Viz záruční list.)

Při potřebě podrobného rozkresu konstrukce, oslovte informaci o typu a čísle přímo servis a nebo výrobce, Techtronic Industries GmbH, Max-Eyth-Straße 10, 71364 Winnenden, Germany.

### CE-PROHLÁŠENÍ O SHODĚ

Prohlašujeme na naši výhradní odpovědnost, že produkt popsán v části „Technické údaje“ splňuje všechna příslušná ustanovení směrníc

2011/65/EU (RoHS)  
2006/42/ES  
2014/30/EU

a byly použity následující harmonizované normy

EN 62841-1:2015  
EN 62841-3-9:2015+A11:2017  
EN 55014-1:2017  
EN 55014-2:2015  
EN 61000-3-2:2014  
EN 61000-3-11:2000  
EN IEC 63000:2018



Winnenden, 2019-03-08

Alexander Krug / Managing Director  
Zplnomocněn k sestavování technických podkladů.

Techtronic Industries GmbH  
Max-Eyth-Straße 10, 71364 Winnenden, Germany

### SYMBOLY



POZOR! VAROVÁNÍ! NEBEZPEČÍ!



Před zahájením veškerých prací na stroji vytáhnout síťovou zástrčku ze zásuvky.



VAROVÁNÍ-Aby se snížilo nebezpečí úrazu, musí si uživatel přečíst návod k použití!



Při práci se strojem neustále nosit ochranné brýle.



Používejte chrániče sluchu!



Používejte ochranné rukavice!



Nikdy nedávejte ruce do prostoru pilového listu.



Zařízení lze používat jen ve vnitřních prostorách, nepoužívat v dešti.



Prachový žlab port připojení



Řežte pouze dřevo.



Nedívejte se do laserového louče.



Produkt odpovídá laserové třídě 2 podle EN 60825-1:2014.



Pilový kotouč  $\varnothing$  x díra  $\varnothing$



Směr otáčení



Zuby ostří



Šířka řezu

$n_0$

Volnoběžné otáčky

V

napětí



Střídavý proud



Elektrický přístroj s třídou ochrany II. Elektrický přístroj, u kterého ochrana před zásahem el. proudem závisí nejen na základní izolaci, ale i na tom, že budou použita také doplňková ochranná opatření, jakými jsou dvojitá izolace nebo zesílená izolace.

Neexistuje žádné zařízení pro připojení ochranného vodiče.



Elektrické přístroje se nesmí likvidovat společně s odpadem z domácnosti. Elektrické a elektronické přístroje je třeba sbírat odděleně a odevzdat je v recyklačním podniku na ekologickou likvidaci. Na místních úřadech nebo u vašeho specializovaného prodejce se informujte na recyklační podniky a sběrné dvory.



Značka shody v Evropě



Značka shody na Ukrajině



Značka shody pro oblast Eurasie

Česky



TECHNICKÉ ÚDAJE	PS 216 L	PS 254 L
<b>Ťažná kapovacia píla *</b>		
Výrobné číslo	4699 98 01 ... ... 000001-999999	4699 99 01 ... 4740 22 01 ... ... 000001-999999
Menovitý príkon	220-240 V, 50 HZ, 1400W, 6,5 A	220-240 V, 50 HZ, 1800W, 8,7 A
Otáčky naprázdno	5000 min <sup>-1</sup>	4500 min <sup>-1</sup>
Priemer pilového listu x priemer diery	216 x 30 mm	254 x 30 mm
Hrúbka tela plátu píly max.	1,6 mm	1,8 mm
Hrúbka zubu plátu píly min.	2,4 mm	2,6 mm
Max. strihový výkon		
Uhly zošíkmenia horizontálne 0° / Uhly zošíkmenia vertikálne 0°	65 x 305 mm	90 x 305 mm
Uhly zošíkmenia horizontálne 45° / Uhly zošíkmenia vertikálne 0°	65 x 215 mm	90 x 215 mm
Uhly zošíkmenia horizontálne 0° / Uhly zošíkmenia vertikálne 45°	36 x 305 mm	50 x 305 mm
Uhly zošíkmenia horizontálne 45° / Uhly zošíkmenia vertikálne 45°	36 x 215 mm	50 x 215 mm
Hmotnosť podľa vykonávacieho predpisu EPTA 01/2014	16,7 kg	19,6 kg
<b>Informácia o hluku</b>	Namerané hodnoty určené v súlade s EN 62841. V triede A posudzovaná hladina hluku prístroja číni typicky:	
Hladina akustického tlaku (Kolisavosť K=3dB(A))	99,27 dB (A)	95,15 dB (A)
Hladina akustického výkonu (Kolisavosť K=3dB(A))	112,27 dB (A)	108,15 dB (A)
<b>Používajte ochranu sluchu!</b>		

\*PS  $\triangleq$  Ťažná kapovacia píla

## POZOR!

Deklarované hodnoty emisií hluku boli merané v súlade so štandardnou skúšobnou metódou EN 62841-1 a EN 62841-3-9 a môžu sa použiť na porovnanie jedného nástroja s druhým. Deklarované hodnoty emisií hluku sa tiež môžu používať v predbežnom posúdení expozície.

Emisie hluku pri skutočnom používaní elektrického náradia sa môžu líšiť od deklarovaných hodnôt v závislosti od spôsobov, akými sa nástroj používa, predovšetkým aký druh obrobku sa opracováva.

Definujte bezpečnostné opatrenia na ochranu pracovníka obsluhu, ktoré sa zakladajú na odhade zaťaženia počas skutočných podmienok používania (berte pritom do úvahy všetky časti prevádzkového cyklu, napríklad časy, počas ktorých je elektrické náradie vypnuté a tie, počas ktorých je síce zapnuté, ale prevádzkuje sa bez zaťaženia).

Používajte ochranu sluchu. Nadmerný hluk môže viesť k strate sluchu.

**⚠ POZOR** Prečítajte si všetky bezpečnostné upozornenia, pokyny, vyobrazenia a údaje, ktoré dostanete spolu s prístrojom. Ak by ste nedodržiali nasledujúce pokyny, mohlo by to mať za následok zásah elektrickým prúdom, vznik požiaru a/alebo vážne poranenie.

**Tieto Výstražné upozornenia a bezpečnostné pokyny starostlivo uschovajte na budúce použitie.**

### ⚠ BEZPEČNOSTNÉ POKYNY PRE POKOSOVÉ PÍLY

**a) Pokosové píly sú určené na rezanie dreva alebo výrobkov podobných drevu, nemožno ich používať s brúsno-reznými kotúčmi na rezanie železiarskeho materiálu, ako sú tyče, tyčky, čapy, atď.** Brúsný prach spôsobuje zasekávajúce pohyblivých častí, ako napr. spodný kryt. Iskry od brúsneho rezania budú spaľovať spodný kryt, škárovú vložku a ďalšie plastové diely.

**b) Používajte svorky na podopieranie obrobku vždy, keď je to možné. Ak podopierate obrobok ručne, musíte mať vždy vašu ruku najmenej 100 mm od oboch strán pilového kotúča. Nepoužívajte túto pílu na rezanie kusov, ktoré sú príliš malé na to, aby boli bezpečne zovreté alebo držané v ruke. Ak je vaša ruka umiestnená príliš blízko k pilovému kotúču, existuje zvýšené riziko poranenia pri kontakte s kotúčom.**

**c) Obrobok sa nesmie pohybovať a musí byť zovretý alebo držaný oproti dorazu a stolu. Neprivádzajte obrobok ku kotúču, ani v žiadnom prípade nerezte bez držania rúk.** Nepripevnené alebo pohyblivé obrobky by mohli byť odhodené pri vysokých rýchlostiach a spôsobiť zranenie.

**d) Tlačte pílu cez obrobok. Nefahajte pílu cez obrobok. Ak chcete urobiť rez, zdvihnite hlavu píly a vytiahnite ju ponad obrobok bez rezania, spustite motor, stlačte hlavu píly dole a tlačte pílu cez obrobok.** Rezanie ťahaním pravdepodobne spôsobí, že pilový kotúč vystúpi hore na vrch obrobku a prudko hodí kotúčovú zostavu smerom k obsluhu.

**e) Nikdy nekrižujte Vašu ruku nad zamýšľanou líniou rezu ani pred, ani za pilovým kotúčom.** Podopieranie obrobku „s prekríženou rukou“, t.j. držanie obrobku na pravej strane pilového kotúča ľavou rukou alebo naopak je veľmi nebezpečné.

**f) Nesiahajte za doraz ani rukou bližšie ako 100 mm od oboch strán pilového kotúča s cieľom odstrániť drevené zvyšky, ani z akéhokoľvek iného dôvodu, keď sa kotúč otáča.** Blížkosť otáčajúceho sa pilového kotúča k vašej ruke nemusí byť zrejmá a môžete sa vážne zraniť.



Slov

**g) Pred rezaním obrobok skontrolujte. Ak je obrobok zohnutý alebo skrivený, pripevnite ho vonkajšou zohnutou stranou smerom k dorazu. Vždy sa uistite, že neexistuje žiadny voľný priestor medzi obrobkom, dorazom a stolom pozdĺž línie rezu.** Zohnuté alebo skrivené obrobky sa môžu skrútiť alebo posunúť a môžu spôsobiť omdlenie sa na otáčajúcom sa pilovom kotúči pri rezaní. V obrobku by nemali byť žiadne klinec ani cudzie predmety.

**h) Nepoužívajte pílu, kým nie je stôl čistý od všetkého náradia, drevených zvyškov, atď., s výnimkou pre obrobok.** Malé úlomky alebo uvoľnené kusy dreva alebo iných predmetov, ktoré sa dostanú do kontaktu s otáčavým kotúčom, môžu byť odhodené vysokou rýchlosťou.

**i) Naraz reže iba jeden obrobok.** Viac naskladaných obrobkov nemožno dostatočne upevniť ani zopnúť a môžu sa omdlať na čepeli či posunúť počas rezania.

**j) Pred použitím sa uistite, že pokosová píla je namontovaná alebo umiestnená na rovnej, pevnej pracovnej ploche.** Rovná a pevná pracovná plocha znižuje riziko, že pokosová píla bude labilná.

**k) Plánujte si svoju prácu. Zakaždým, keď zmeníte nastavenie uhla skosenia alebo pokosu, uistite sa, že nastaviteľný doraz je správne nastavený k podpieraniu obrobku a nebude interferovať s kotúčom alebo ochranným systémom.** Bez prepnutia nástroja do polohy „ZAP“ a bez obrobku na stole posúvajte pilový kotúč úplne simulovaným rezom, aby ste zaistili, že neexistuje žiadna prekážka ani nebezpečenstvo rezania dorazu.

**l) Zabezpečte príslušné podporenie, ako sú prídavné časti stola, kozy na rezanie, atď. pre obrobok, ktorý je širší alebo dlhší ako vrchná časť stola.** Obrobky dlhšie alebo širšie než stôl pokosovej píly sa môžu nakloniť, ak nie sú riadne podporené. V prípade, že odrezaný kus alebo obrobok sa nakloní, môže to zdvihnúť spodný kryt alebo môže byť odhodený otáčajúcou sa čepelou.

**m) Nevyužívajte inú osobu ako náhradu za prídavnú časť stola alebo ako dodatočné podporenie.** Nestabilné podporenie obrobku môže spôsobiť omdlenie na čepeli alebo posunutie obrobku počas procesu rezania, čím môže dôjsť k zraneniu vás a pomocníka do otáčajúcej sa čepele.

**n) Odrezaný kus nesmie byť zaseknutý ani pritlačený akýmikoľvek prostriedkami proti otáčajúcejmu sa pilovému kotúču.** V prípade obmedzenia, tj. pomocou dorazov, sa odrezaný kus môže zaklinovať proti čepeli a prudko odhodit.

**o) Vždy použite svorku alebo prípravok určený pre správne podporenie guľatiny, ako sú tyče alebo rúrky.** Tyče majú pri rezaní tendenciu valiť sa, čo spôsobuje zovretie kotúčom a ťahanie vašej ruky do kotúča.

**p) Nechajte kotúč dosiahnuť plnú rýchlosť pred dotykom obrobku.** Tým sa zníži riziko odhodenia obrobku.

**q) Ak dôjde k zaseknutiu obrobku alebo kotúča, vypnite pokosovú pílu. Počkajte, kým sa všetky pohyblivé časti zastavia a odpojte zástrčku od zdroja napájania a/alebo vyberte akumulátor. Potom pracujte na uvoľnení zaseknutého materiálu.** Pokračovanie v rezaní, keď je obrobok zaseknutý, by mohlo spôsobiť stratu kontroly alebo poškodenie pokosovej píly.

**r) Po dokončení rezu uvoľnite spínač, držte pílu dole hlavou a čakajte na zastavenie kotúča pred vybratím odrezaného kusu.** Siahanie rúk v blízkosti dobiehajúceho kotúča je nebezpečné.

**s) Uchopte pevne rukoväť pri neúplnom reze alebo pri uvoľnení spínača pred tým, než je hlava píly úplne v dolnej pozícii.** Brzdny účinok píly môže spôsobiť, že hlava píly bude náhle ťahaná smerom nadol, čo spôsobuje riziko zranenia.

### KOTÚČ NA REZANIE DREVA ŠPECIÁLNE BEZPEČNOSTNÉ POKYNY

Pred použitím pilového kotúča a zariadenia si pozorne prečítajte návod a inštrukcie.

Zariadenie musí byť v dobrom stave, hriadeľ bez deformácií a vibrácií.

Nepoužívajte pílu bez ochranných krytov v určenej pozícii, udržiavajte ochranné kryty v dobrom prevádzkovom stave a riadne sa o ne starajte.

Zaistite, aby bol operátor dostatočne vyškolený ohľadne bezpečnostných opatrení, nastavenia a prevádzky zariadenia.

Pri používaní zariadenia vždy noste ochranné okuliare a ochranu sluchu. Odporúča sa nosiť rukavice, odolnú protišmykovú obuv a zásteru.

Pred použitím akéhokoľvek príslušenstva nahliadnite do návodu na obsluhu. Nesprávne použitie príslušenstva môže zapríčiniť poškodenie a zvýšiť možnosť zranenia.

Používajte iba kotúče špecifikované v tomto návode, ktoré spĺňajú požiadavky normy EN 847-1.

Dodržiujte maximálnu rýchlosť vyznačenú na pilovom kotúči. Zaisťte, aby bola rýchlosť vyznačená na pilovom kotúči prinajmenšom rovná rýchlosti vyznačenej na pile.

Používajte vždy pilové listy správnej veľkosti a s vhodným upínacím otvorom. Pilové listy, ktoré sa nehodia k montážnym súčiastkam píly, nebezpečne celkom rotačne a spôsobia stratu kontroly obsluhy na náradí.

Nepoužívajte kotúče väčších ani menších priemerov, než je odporúčané. Nepoužívajte žiadne rozpierky, aby kotúč zapadol do hriadeľa.

Pred každým použitím skontrolujte hroty pilového kotúča ohľadom poškodenia alebo neobvyklého vzhľadu. Hroty, ktoré sú poškodené alebo uvoľnené, sa môžu stať pri používaní lietajúcimi objektmi a zvýšiť tak šancu na zranenia osôb.

Popraskané pilové listy alebo také, ktoré zmenili tvar, nesmú sa použiť. Nepoužívajte poškodené alebo deformované pilové listy.

Vyradte pilový kotúč v prípade poškodenia, deformácie, skrivenia alebo prasknutia, oprava nie je povolená.

Nepoužívajte pilové listy, vyrobené z rýchloreznej ocele.

Zaistite, aby bol pilový kotúč správne namontovaný, pred použitím bezpečne utiahnite maticu hriadeľa (uťahovací moment cca. 12 Nm).

Upevňovacia skrutka a matice musia byť utiahnuté pomocou príslušného skrutkového kľúča, atď.

Nadstavec kľúča ani uťahovanie pomocou úderov kladiva nie sú povolené.

Uistite sa, že kotúč a príruby sú čisté a zapusené strany nákrúžku sú proti kotúču.

Uistite sa, že kotúč sa otáča v správnom smere.



Slov

Pred začatím prác vykonajte skúšobný rez bez zapnutého motora tak, aby ste mohli skontrolovať polohu kotúča, činnosť ochranných krytov s ohľadom na ostatné časti zariadenia a obrobok.

Nikdy nenechávajte zariadenie bez dozoru.

Neaplikujte žiadne mazivo na kotúč, keď je v chode.

Nikdy nevykonávajte čistiace ani údržbové práce, keď je zariadenie stále v chode a hlava nie je v pokojovej polohe.

Nikdy sa nepokúšajte zastaviť zariadenie v pohybe rýchlo zablokovaním nástroja alebo iných prostriedkov proti kotúču, týmto spôsobom by mohlo neúmyselne dôjsť k vážnym nehodám.

Odpojte pílu od elektrickej siete alebo vyberte akumulátor pred výmenou kotúča alebo vykonávaním údržby.

Venujte pozornosť baleniu a vybalovaniu kotúča, ľahko sa môžete zraniť ostrými hrotmi kotúča.

Pri manipulácii s pílovým kotúčom používajte držiak kotúča alebo nosťe rukavice.

Udržujte a skladujte kotúč v originálnom obale alebo inom vhodnom obale, udržiujte v suchu a preč od chemických látok, ktoré môžu kotúč poškodiť.

## ĎALŠIE BEZPEČNOSTNÉ A PRACOVNÉ POKYNY

Vždy upnite obrobok bezpečne.

Zaistíte stabilnú polohu stroja (napríklad upevením na pracovný stôl)..

Používajte ochranu sluchu. Nadmerný hluk môže viesť k strate sluchu.

Pri práci s elektrickým náradím používajte vždy ochranné okuliare. Odporúča sa používať rukavice na manipuláciu s kotúčmi a hrubým materiálom, rovnako ako odolnú protišmykovú obuv, ktorá tiež chráni nohy pred obrobkami, ktoré môžu spadnúť z priestoru rezania.

Vždy sa uistite, že elektrická zástrčka bola vytiahnutá zo sieťového zdroja napájania pred vykonaním úprav, mazania alebo pri vykonávaní akejkoľvek údržby na výrobku.

Len vypnutý stroj pripájajte do zásuvky.

Nikdy nesiahajte do oblasti v blízkosti kotúča, pokiaľ sa kotúč úplne nezastavil.

Pred použitím dôkladne skontrolujte nástroj ohľadne akéhokoľvek poškodenia alebo únavy materiálu. Poškodené diely nechajte opraviť u odborníka.

Ochranné zariadenie stroja bezpodmienečne používajte. Nepoužívajte zariadenie, ak ochranné kryty nie sú na svojom mieste a nefungujú správne.

Spodný ochranný kryt kotúča by sa mal otvoriť len vtedy, keď je kotúč spustený k obrobku a vždy musí byť možné voľne s ním hýbať a automaticky ho zatvárať..

Vždy upevňujte a používajte držiaky predĺžovacej tyče na podporu obrobku počas prevádzky.

Nikdy nemodifikujte ani neupravujte pílu ani jej funkciu. Môže byť ohrozená vaša bezpečnosť.

Nepoužívajte pílové kotúče, ktoré sú prasknuté, poškodené alebo zdeformované.

Nepoužívajte pílové listy, vyrobené z rýchlereznej ocele.

Používajte len pílové kotúče, ktoré sú ostré. Vymeňte tupé kotúče za novú náhradu.

Používajte vždy pílové listy správnej veľkosti a s vhodným upínaním otvorom.

Pílové listy, ktoré sa nehodia k montážnym súčiastkam píly, nebežia celkom rotačne a spôsobia stratu kontroly obsluhy na náradí.

Používajte iba drevoobrábacie kotúče špecifikované v tomto návode, ktoré spĺňajú požiadavky normy EN 847-1.

Nepoužívajte akékoľvek príruby, podložky ani matice na zabezpečenie pílového kotúča, len tie, ktoré boli dodané alebo uvedené v návode na obsluhu.

Vyberte si pílový list vhodný na rezanie vybraného materiálu. Nikdy nepoužívajte výrobok na rezanie materiálov iných než sú uvedené v odseku zamýšľaného použitia v tomto návode.

Pri rezaní je dôležité zabrániť prehrievaniu kotúča a roztaveniu plastového obrobku.

Dodržiavajte maximálny počet otáčok uvedený na pílovom liste. používajte len pílový kotúč, ktorý je označený rýchlostou rovnou alebo vyššou ako je rýchlosť vyznačená na nástroji.

Vymeňte stovový vložku, keď je opotrebovaná alebo poškodená.

Pred začatím prác vykonajte skúšobný rez bez zapnutého motora tak, aby ste mohli skontrolovať polohu kotúča, činnosť ochranných krytov s ohľadom na ostatné časti zariadenia a obrobok.

Pri vykonávaní pokosu, úkosu alebo zložených pokosových rezov nastavte posuvné vodidlo, aby sa zabezpečila správna vzdialenosť od čepele.

Pri preprave výrobku musí byť vždy aktivovaná držiaková zarážka.

Udržujte čistotu a pravidelne zametajte píliny a odrezky.

Neodstraňujte odrezky a iné zvyšky materiálu z rezného priestoru, pokiaľ píla beží a rezná hlava je v pohybe.

Dlhé obrobky vhodným spôsobom podoprite. Pracovná oblasť píly zahŕňa celý rozsah obrobku. Prevádzkovateľ by mal túto oblasť zabezpečiť pred náhodným kontaktom s inými osobami alebo predmetmi, ktoré môžu počas prevádzky pohnúť obrobkom.

Prach, ktorý vzniká pri práci je často zdravie škodlivý a nemal by sa dostať do tela. používajte odsávac prachu a nosťe vhodnú masku proti prachu. Uskladnený prach dôkladne odstrániť, napr. vysať.

Nevymieňajte LED ani laser za iný typ. Všetky opravy musia byť vykonávané len výrobcom alebo autorizovaným servisným technikom.

Napájacia špička spôsobí fluktuácie napätia a môže mať vplyv na ostatné elektrické zariadenia na rovnakom elektrickom vedení. Produkt pripojte do elektrickej siete s impedanciou 0,3 Ω, minimalizujete tak fluktuácie napätia. Blížšie vysvetlenie žiadajte od vášho dodávateľa elektrickej energie.

## ŠPECIÁLNE BEZPEČNOSTNÉ POKYNY LASER

Laserové žiarenie použité v tejto píle je Trieda II s maximom P≤1mW a λ: 650nm vlnových dĺžok. Nepozerajte sa priamo pomocou optických prístrojov. Nedodržanie pravidiel môže mať za následok vážne zranenie osôb.

Nepozerajte sa do lúča počas prevádzky.

Nesmerujte laserový lúč priamo do očí iných ľudí. Výsledkom by mohlo byť vážne poranenie očí.

Nedávajte laser do takej polohy, ktorá by mohla spôsobiť, že hocikto by hľadel do laserového lúča úmyselne alebo neúmyselne.

Nepoužívajte optické nástroje na pozeranie do laserového lúča.

Neprevádzkujte laser v blízkosti detí ani nedovoľte deťom laser obsluhovať.

Nepokúšajte sa opraviť laserové zariadenie sami.

Nepokúšajte sa vymeniť akékoľvek časti laserového zariadenia sami.

Všetky opravy musia byť vykonávané len výrobcom alebo autorizovaným servisným technikom.

Zabudovaný laserový modul nikdy nezamieňajte za laserové zariadenie iného typu.



## POUŽITIE PODĽA PREDPISOV

Pokosová píla je určená na rezanie kompaktného a lepeného dreva s alebo bez lepených dýh, plastov a materiálov podobných drevu.

Pokosová píla je určená na používanie len dospelými osobami, ktoré si prečítali tento návod na obsluhu a pochopili riziká a nebezpečenstvá.

Pokosová píla je určená k upevneniu na základni k vrchnej časti pevného pracovného stola. V prípade, že základňa nie je bezpečne upevnená, celé zariadenie sa môže pri operáciách rezania pohybovať, čo zvyšuje možnosť vážneho zranenia osôb.

Pokosová píla je určená na vykonávanie skosenia a pokosu. Možnosti rôznych rezov sú uvedené v produktových špecifikáciách v tomto návode.

Pokosová píla sa má používať v suchých podmienkach, s výborným okolitým osvetlením a dostatočným vetraním.

Pokosová píla je určená pre spotrebiteľské používanie a mala by sa používať len tak, ako je popísané vyššie, a nie je určená na akýkoľvek iný účel.

## ZVÝŠKOVÉ RIZIKÁ

Aj keď sa pokosová píla používa tak, ako je predpísané, je stále nemožné úplne vylúčiť určité faktory zvyškového rizika. Môžu vzniknúť nasledujúce nebezpečenstvá a prevádzkovateľ by mal venovať osobitnú pozornosť, aby sa zabránilo nasledujúcemu:

- Riziko kontaktu s nekrýtimi časťami rotujúceho pilového kotúča.
- Spätný odraz obrobkov alebo častí obrobkov v dôsledku nesprávneho nastavenia alebo manipulácie.
- Katapultovanie chybných karbidových hrotov z pilového kotúča.
- Poškodenie dýchacích ciest.

**POZNÁMKA:** Noste masky na ochranu dýchacích ciest obsahujúce filtre vhodné pre materiály, s ktorými sa pracuje.

Zaistite vhodné vetranie na pracovisku. Nejedzte, nepite ani nefajčite v pracovnej oblasti.

Poškodenie sluchu, ak sa nepoužíva účinná ochrana sluchu.

## POZOR

Prach z niektorých náterov, povlakov a materiálov môže spôsobiť podráždenie alebo alergické reakcie dýchacieho systému. Prach z dreva ako sú dub, buk, MDF a iných druhov, je karcinogénny. S materiálmi obsahujúcimi azbest by sa malo pracovať, resp. by mali byť spracovávané len kvalifikovanými odbornými pracovníkmi.

## POZOR

Zranenia môžu byť spôsobené alebo zhoršené dlhodobým používaním nástroja. Ak používate akýkoľvek nástroj predĺženú dobu, zaistite, aby ste si robili pravidelné prestávky.

## POZNAJTE SVOJ VÝROBK

Pozri stranu A.

- |  |   |
|--|---|
| 1. Rukoväť, izolovaná uchopovacia plocha | 10. Vrchná rukoväť                        |
| 2. Spúšťač spínača                       | 11. Horný ochranný kryt                   |
| 3. Bezpečnostná nastavovacia páka        | 12. Prachový žľab                         |
| 4. Vonkajšia prírubica                   | 13. Tlačidlo na zastavenie lineárnej tyče |
| 5. Pilový kotúč                          | 14. Svorica                               |
| 6. Spodný ochranný kryt                  | 15. Nastavovacia páka uhlu skosenia       |
| 7. Fixná bariéra                         | 16. Posuvná bariéra                       |
| 8. Podložka pre nastavenie rezu          | 17. Držiak obrobku                        |
| 9. Uzavieracia rukoväť točne             | 18. Predlžovacia tyč                      |

- |   |                                       |
|---|---------------------------------------|
| 19. Montážne otvory x4                      | 24. LED spínač                        |
| 20. Točňa                                   | 25. Laserový spínač                   |
| 21. Pokosová stupnica                       | 26. Tlačidlo zámku vretena            |
| 22. Skrutka na nastavenie uhlu skosenia 45° | 27. Podložka na nastavenie hĺbky rezu |
| 23. Skrutka na nastavenie uhlu skosenia 90° | 28. Tlačidlo na nastavenie hĺbky rezu |

## NÁHRADNÝ ZOZNAM

- PS 216 L: Ťažná kapovacia píla EN 847-1/  $\varnothing$ 216 x  $\varnothing$ 30 x 2,4 / 48T / HW / n max. 7000 min<sup>-1</sup> (Stranu A: No. 5)
- PS 254 L: Ťažná kapovacia píla EN 847-1/  $\varnothing$ 254 x  $\varnothing$ 30 x 2,6 / 48T / HW / n max. 7400 min<sup>-1</sup> (Stranu A: No. 5)
- KPodložka pre nastavenie rezu (Stranu A: No. 8)

## SIETOVÁ PRÍPOJKA

Pripájať len na jednofázový striedavý prúd a na sieťové napätie uvedené na štítku. Pripojenie je možné aj do zásuviek bez ochranného kontaktu, pretože ide o konštrukciu ochrannej triedy II.

Zásuvky vo vonkajšom prostredí musia byť vybavené ochranným spínačom proti prudovým nárazom (FI, RCD, PRCD). Toto je inštalačný predpis na Vaše elektrické zariadenie. Venujte prosím tomuto pozornost pri používaní nášho prístroja.

Len vypnutý stroj pripájajte do zásuvky.

Pripojovací kábel držte mimo pracovnej oblasti stroja. Kábel smerujte vždy smerom dozadu od stroja.

Pred každým použitím skontrolovať prístroj, pripojovací kábel, akumulátory, predlžovací kábel a zástrčku či nedošlo k poškodeniu alebo zostarnutiu. Poškodené časti nechať opraviť odborníkom.

Napájacia špička spôsobí fluktuácie napätia a môže mať vplyv na ostatné elektrické zariadenia na rovnakom elektrickom vedení. Produkt pripojte do elektrickej siete s impedanciou 0,3  $\Omega$ , minimalizujete tak fluktuácie napätia.

Blížšie vysvetlenie žiadajte od vášho dodávateľa elektrickej energie.

## ÚDRŽBA

Nepoupravajte túto pílu žiadnym spôsobom ani nepoužívajte príslušenstvo, ktoré nie je schválené výrobcom. Môže byť ohrozená vaša bezpečnosť a bezpečnosť iných osôb.

Nepoužívajte pílu, ak nejaké prepínače, ochranné kryty alebo iné funkcie tejto píly nefungujú tak, ako je zamýšľané. Vráťte do autorizovaného servisného strediska na profesionálnu opravu alebo nastavenie.

Nerobte žiadne úpravy, keď je pilový kotúč v pohybe.

Vždy sa uistite, že elektrická zástrčka bola vytiahnutá zo sieťového zdroja napájania pred vykonaním úprav, mazania alebo pri vykonávaní akékoľvek údržby na výrobku.

Pred a po každom použití skontrolujte pílu ohľadne poškodenia alebo pokazenie súčiastok a udržiavajte ju v optimálnom prevádzkovom stave tým, že okamžite vymeníte diely za náhradné diely schválené výrobcom.

Kotúč je po použití veľmi horúci, používajte rukavice alebo nechajte vychladnúť pod údržbou alebo čistiacimi procesmi.

Odstráňte nahromadený prach pomocou kefy alebo vysávača. Nepoužívajte stlačený vzduch.

Pre zaistenie bezpečnosti a spoľahlivosti by mali byť všetky opravy, vrátane výmeny kief, vykonávané v autorizovanom servisnom stredisku.

Prístroj a ochranné zariadenie čistite suchou handričkou.

Vetracie otvory udržiavať stále v čistote.

Slovensky

Ak je potrebná výmena napájacieho kábla, musí to urobiť výrobca alebo jeho zástupca, aby sa predišlo bezpečnostnému riziku.

Používať len AEG príslušenstvo a náhradné diely. Súčiastky bez návodu na výmenu treba dať vymeniť v jednom z AEG zákazníckych centier (viď brožúru Záruka/Adresy zákazníckych centier).

Pri udaní typu stroja a čísla nachádzajúceho sa na štítku dá sa v prípade potreby vyžiadať explozívna schéma prístroja od vášho zákazníckeho centra alebo priamo v Techtronic Industries GmbH, Max-Eyth-Straße 10, 71364 Winnenden, Germany.

## CE - VYHLÁSENIE KONFORMITY

Na našu výhradnú zodpovednosť vyhlasujeme, že produkt popísaný v časti „Technické údaje“ spĺňa všetky príslušné ustanovenia smerníc

2011/65/EÚ (RoHS)

2006/42/ES

2014/30/EÚ

a boli použité nasledovné harmonizované normy

EN 62841-1:2015

EN 62841-3-9:2015+A11:2017

EN 55014-1:2017

EN 55014-2:2015

EN 61000-3-2:2014

EN 61000-3-11:2000

EN IEC 63000:2018



Winnenden, 2019-03-08

Alexander Krug / Managing Director  
Spinomocnený zostaviť technické podklady.

Techtronic Industries GmbH  
Max-Eyth-Straße 10, 71364 Winnenden, Germany

## SYMBOLY



POZOR! NEBEZPEČENSTVO!



Pred každou prácou na stroji vytiahnite zástrčku zo zásuvky.



POZOR-Používateľ si za účelom zníženia rizika zranenia musí prečítať návod na použitie.



Pri práci so strojom vždy nosíte ochranné okuliare.



Používajte ochranu sluchu!



Používajte ochranné rukavice!



Nikdy nedávajte ruky do priestoru pílového listu.



Prístroj je určený na použitie v krytých priestoroch, prístroj nevystavujte dažďu.



Prachový žlab port pripojenia



Režte len drevo.



Nedívajte sa do laserového lúča.



Produkt zodpovedá laserovej triede 2 podľa EN 60825-1:2014.



Priemer pílového listu x priemer diery



Smer otáčania



Ózubenie čepele



Šírka rezu

**n<sub>0</sub>**

Otáčky naprázdno

**V**

Napätie



Striedavý prúd



Elektrický prístroj triedy ochrany II. Elektrický prístroj, pri ktorom ochrana pred zásahom el. prúdom závisí nie len od základnej izolácie, ale aj od toho, že budú použité aj doplnkové ochranné opatrenia, akými sú dvojité izolácia alebo zosilnená izolácia.

Neexistuje žiadne zariadenie na pripojenie ochranného vodiča.



Elektrické prístroje sa nesmú likvidovať spolu s odpadom z domácností. Elektrické a elektronické prístroje treba zbierať oddelene a odovzdať ich v recyklačnom podniku na ekologickú likvidáciu. Na miestnych úradoch alebo u vášho špecializovaného predajcu sa spýtajte na recyklačné podniky a zberné dvory.



Značka zhody v Európe



Značka zhody na Ukrajine



Značka zhody pre oblasť Eurázie



DANE TECHNICZNE Ukośnica *	PS 216 L	PS 254 L
Numer produkcyjny	4699 98 01 ... ... 000001-999999	4699 99 01 ... 4740 22 01 ... ... 000001-999999
Znamionowa moc wyjściowa	220-240 V, 50 HZ, 1400W, 6,5 A	220-240 V, 50 HZ, 1800W, 8,7 A
Prędkość bez obciążenia	5000 min <sup>-1</sup>	4500 min <sup>-1</sup>
Średnica ostrza piły x średnica otworu	216 x 30 mm	254 x 30 mm
Grubość brzeszczotu piły maks.	1,6 mm	1,8 mm
Grubość zęba piły min.	2,4 mm	2,6 mm
Maksymalna wydajność cięcia Ucios 0° / Nachylenie 0° Ucios 45° / Nachylenie 0° Ucios 0° / Nachylenie 45° Ucios 45° / Nachylenie 45°	65 x 305 mm 65 x 215 mm 36 x 305 mm 36 x 215 mm	90 x 305 mm 90 x 215 mm 50 x 305 mm 50 x 215 mm
Ciężar wg procedury EPTA 01/2014	16,7 kg	19,6 kg
<b>Informacja dotycząca szumów</b> Zmierzone wartości wyznaczone zgodnie z normą EN 62841. Poziom szumów urządzenia oszacowany jako A wynosi typowo: Poziom ciśnienia akustycznego (Niepewność K=3dB(A)) Poziom mocy akustycznej (Niepewność K=3dB(A)) <b>Należy używać ochroniaczy uszu!</b>	99,27 dB (A) 112,27 dB (A)	95,15 dB (A) 108,15 dB (A)

\*PS ≙ Ukośnica

## OSTRZEŻENIE!

Deklarowaną(-e) wartość(-ci) emisji hałasu zmierzono zgodnie ze standardową metodą badania wg EN 62841-1 i EN 62841-3-9 i można ją wykorzystać do porównania narzędzia z innym narzędziem. Deklarowaną(-e) wartość(-ci) emisji hałasu można również wykorzystać przy wstępnej ocenie narażenia.

Emisje hałasu podczas rzeczywistego użytkowania elektronarzędzia mogą różnić się od deklarowanych wartości w zależności od sposobu użytkowania narzędzia, w szczególności od rodzaju obrabianego przedmiotu.

Identyfikuje środki bezpieczeństwa w celu ochrony operatora, oparte na szacunkowej ocenie narażenia w rzeczywistych warunkach użytkowania (z uwzględnieniem wszystkich części cyklu pracy, takich jak czas, w którym narzędzie jest wyłączone i kiedy pracuje na biegu jałowym w połączeniu z czasem uruchamiania).

Stosować środki ochrony słuchu! Hałas może powodować utratę słuchu.

**⚠ OSTRZEŻENIE** Przeczytać wszystkie wskazówki bezpieczeństwa, instrukcje, ilustracje i dane dołączone do urządzenia. Jeśli nie będą przestrzegane następujące przepisy, może dojść do porażenia prądem, pożaru i/lub ciężkich obrażeń ciała. **Należy starannie przechowywać wszystkie przepisy i wskazówki bezpieczeństwa dla dalszego zastosowania.**

### **⚠ UKOŚNICE — INSTRUKCJA BEZPIECZEŃSTWA**

a) Ukośnice przeznaczone są do cięcia wyrobów drewnianych lub drewnopodobnych; nie można ich używać ze ściernicami do cięcia materiałów żelaznych, np. sztab, prętów, kołków itp. Piły z cięcia ściernego powodują zacinanie się części ruchomych, np. dolnej osłony. Iskry z cięcia ściernego skutkują spalaniem dolnej osłony, wkładki szczelinowej i innych elementów plastikowych.

b) Jeśli tylko możliwe, używać zacisków do przytrzymania przedmiotu obrabianego. W razie przytrzymywania przedmiotu obrabianego dłonią, należy trzymać dłoń w odległości co najmniej 100 mm od obu stron tarczy tnącej. Nie używać tej piły do cięcia kawałków, które są zbyt małe, aby można je było przytrzymać zaciskami lub dłonią. W razie zbyt blizkiego zbliżenia dłoni do tarczy tnącej istnieje zwiększone ryzyko obrażeń w przypadku kontaktu z ostrzem.

c) Przedmiot obrabiany musi być nieruchomy i zaciśnięty lub dociskany zarówno do siatki, jak i do stołu. Nie ciągnąć przedmiotu obrabianego ostrzem, ani nie dokonywać cięć bez przytrzymania dłonią. Nieumocowane lub ruchome przedmioty obrabiane mogą zostać odrzucone z dużą prędkością, powodując obrażenia ciała.

d) Ciąć przedmiot obrabiany, naciskając piłę. Nie ciągnąć piły przez przedmiot obrabiany. Aby wykonać cięcie, unieść głowicę tnącą i wyciągnąć ją przed przedmiot obrabiany bez cięcia, uruchomić silnik, przycisnąć głowicę tnącą w dół i nacisnąć piłę przedmiot obrabiany. Cięcie przez podciąganie może spowodować znalezieniem się brzeszczota na przedmiocie obrabianym i gwałtownym odrzuceniem zespołu tarczy tnącej w kierunku operatora.

e) **Nigdy nie krzyżować rąk nad linią planowanego cięcia — ani przed tarczy tnącej, ani za nią.** Przytrzymywanie obrabianego przedmiotu skrzyżowanymi rękami, tzn. trzymając przedmiot obrabiany lewą ręką po prawej stronie tarczy tnącej lub odwrotnie, jest bardzo niebezpieczne.

f) **Gdy tarcza wiruje, nie sięgać dłonią za siatkę bliższą niż 100 m z obu stron tarczy tnącej w celu usunięcia resztek drewna lub z jakiegokolwiek innego powodu.** Niewielka odległość między wirującą tarczą tnącą a dłonią użytkownika może nie być widoczna na pierwszy rzut oka i może skutkować poważnymi obrażeniami ciała.

g) **Sprawdź obrabiany przedmiot przed cięciem. Jeśli przedmiot obrabiany jest wygięty lub wypaczony, zamocować go zewnętrzną stroną wygiętą skierowaną do siatki. Zawsze upewnić się, czy nie ma szczeliny pomiędzy obrabianym przedmiotem, siatką i stołem wzdłuż linii cięcia.** Wygięte lub zniekształcone przedmioty obrabiane mogą ulec skręceniu lub przesunięciu, co może spowodować ugrzęźnięcie w nich obracającej się podczas cięcia tarczy tnącej. W przedmiocie obrabianym nie powinno być żadnych gwoździ ani ciał obcych.

h) **Nie używać piły, dopóki stół nie zostanie oczyszczony z wszelkich narzędzi, ścinków drewna itp. za wyjątkiem obrabianego przedmiotu.** Małe odłamki lub luźne kawałki drewna lub inne przedmioty kontaktujące się z obracającym się ostrzem mogą zostać odrzucone z dużą prędkością.

i) **Dokonywać cięcia tylko jednego przedmiotu obrabianego na raz.** Ułożenie wielu obrabianych przedmiotów może skutkować nieodpowiednim zaciskiem lub spięciem oraz ugrzęźnięciem lub przesunięciem ostrza podczas cięcia.

j) **Przed użyciem należy upewnić się, czy ukośnica została zamontowana lub umieszczona na równej i stabilnej powierzchni roboczej.** Równa i stabilna powierzchnia robocza zmniejsza ryzyko utraty stabilności przez ukośnicę.

k) **Planować pracę. Przy każdej zmianie ustawienia kąta skosu lub ścięcia upewnić się, że regulowana osłona została ustawiona prawidłowo i wspiera obrabiany przedmiot oraz nie będzie kolidować z ostrzem lub z systemem ochrony.** Bez włączania narzędzia („ON”) i umieszczenia obrabianego przedmiotu na stole przesunąć tarczę tnącą, symulując kompletne cięcie, w celu upewnienia się, czy nie dojdzie do zakłóceń lub niebezpieczeństwa przecięcia siatki.

l) **Zapewnić odpowiednie wsparcie obrabianego przedmiotu, np. przedłużenie stołu, koźioł itp., w przypadku gdy przedmiot jest dłuższy lub szerszy niż stół.** Obrabiane przedmioty dłuższe lub szersze niż stół ukośnicy mogą przechylać się, jeśli nie są prawidłowo obrabiane. Jeśli odcięty kawałek lub obrabiany przedmiot przechyli się, może unieść dolną osłonę lub zostać odrzucony przez wirującą ostrze.

m) **Poza operatorem przy stole nie powinny znajdować się inne osoby, np. w celu zapewnienia przedłużenia stołu lub przytrzymania przedmiotu.** Niestabilne wsparcie obrabianego przedmiotu może spowodować, że ostrze lub obrabiany przedmiot przesunie się podczas cięcia, pociągając operatora i jego pomocnika na wirującą ostrzem.

n) **Należy chronić wirującą tarczę tnącą przez ugrzęźnięciem lub wciśnięciem odciętych kawałków.**

W przypadku ograniczonej przestrzeni, tj. z zastosowaniem ograniczników długości, odcięty kawałek może zaklinować się przy ostrzu i zostać gwałtownie odrzucony.

o) **Zawsze używać zacisku lub osprzętu zaprojektowanego tak, aby poprawnie wesprzeć okrągłe przedmioty takie jak pręty czy rurki.** Pręty mają tendencję do odskakiwania podczas cięcia, powodując ukruszenie ostrza i mogą pociągnąć dłoń na ostrze.

p) **Ostrze powinno osiągnąć pełną prędkość przed dotknięciem obrabianego przedmiotu.** Zmniejsza to ryzyko odrzucenia obrabianego przedmiotu.

q) **Jeśli obrabiany przedmiot lub ostrze zacina się, wyłущając ukośnicę. Poczekać, aż wszystkie ruchome części zatrzymają się, i odłączyć wtyczkę od źródła zasilania i/lub wyjąć akumulator. Następnie wykonać czynności w celu uwolnienia zaklinowanego materiału.** Dalsze cięcie z zaklinowanym przedmiotem obrabianym może spowodować utratę kontroli lub uszkodzenie ukośnicy.

r) **Po zakończeniu cięcia przed wyjęciem odciętego kawałka zwolnić przełącznik, skierować głowicę tnącą w dół i zaczekać, aż tarcza zatrzyma się.** Zbliżanie dłoni do spawalniającego obroty ostrza jest niebezpieczne.

s) **Trzymać mocno uchwyt przy wykonywaniu cięcia częściowego lub po zwolnieniu przełącznika, zanim głowica piły nie znajdzie się w położeniu dolnym.** Hamowanie piły może spowodować nagłe pociągnięcie głowicy piły w dół, powodując ryzyko urazów.

#### OSTRZE DO CIĘCIA DREWNA INSTRUKCJE DOTYCZĄCE BEZPIECZEŃSTWA

Przed użyciem tarczy tnącej i urządzenia uważnie przeczytać podręcznik oraz instrukcje.

Urządzenie musi być w dobrym stanie; trzpień — bez odkształceń i drgań.

Nie używać piły bez osłon w odpowiednim położeniu; utrzymywać osłony w dobrym stanie i odpowiednio je konserwować.

Upewnić się, że operator został odpowiednio przeszkolony w zakresie środków bezpieczeństwa, regulacji i eksploatacji urządzenia.

Zawsze nosić okulary ochronne i ochraniacze na uszy podczas korzystania z urządzenia. Zaleca się stosowanie rękawic, wytrzymałych butów antypoślizgowych i fartucha.

Przed użyciem jakiegokolwiek akcesorium należy zapoznać się z instrukcją obsługi. Niewłaściwe użytkowanie akcesoriów może spowodować uszkodzenie i zwiększyć ryzyko obrażeń.

Stosować wyłącznie ostrza określone w niniejszej instrukcji, zgodnie z normą EN 847-1.

Przestrzegać maksymalnej prędkości podanej na tarczy tnącej. Upewnić się, że prędkość podana na tarczy tnącej jest co najmniej równa prędkości wskazanej na pile.

Należy używać zawsze brzeszczotów odpowiedniej wielkości i z pasującym otworem zamocowania. Brzeszczoty, które nie pasują do części montażowych piły kręcą się nierównomiernie i prowadzą do utraty kontroli nad urządzeniem.

Nie używać ostrzy o średnicy większej lub mniejszej niż zalecana. Nie używać żadnych podkładek dystansowych, aby dopasować ostrze do trzpienia.



Przed każdym użyciem sprawdź końcówki tarczy tnącej pod kątem uszkodzenia lub nieprawidłowego wyglądu. Uszkodzone lub luźne końcówki mogą w trakcie pracy ulec gwałtownemu wyrzuceniu i zwiększyć ryzyko obrażeń ciała.

Nie używaj pękniętych lub zniekształconych brzeszczotów!  
Nie używaj brzeszczotów/tarcz, które są zniekształcone lub uszkodzone.

Uszkodzoną, zdeformowaną, zniekształconą lub pękniętą tarczę tnącą należy zeszlutować; naprawa nie jest dozwolona.

Nie używaj brzeszczotów wykonanych ze stali szybko tnącej.

Upewnij się, że tarcza tnąca jest prawidłowo zamocowana, bezpiecznie dokręć nakrętkę trzpienia przed użyciem (moment dokręcenia: ok. 12 Nm).

Śruba mocująca i nakrętki można dokręcić odpowiednim kluczem.

Przedłużanie klucza do nakrętek lub dokręcanie za pomocą uderzeni młotkiem jest niedopuszczalne.

Upewnij się, że ostrze i kołnierze są czyste i że zagłębione boki kołnierza są przy tarczy.

Upewnij się, że ostrze obraca się w prawidłowym kierunku.

Przed przystąpieniem do pracy bez włączania silnika wykonać próbne cięcie w celu sprawdzenia położenia ostrza, działanie osłon w stosunku do innych części urządzenia i przedmiotu obrabianego.

Nie pozostawiaj urządzenia bez nadzoru.

Nie nakładaj smaru na pracującą ostrze.

Nigdy nie wykonywać żadnych prac konserwacyjnych lub czyszczenia, gdy urządzenie nadal działa, a głowica nie znajduje się w położeniu spoczynkowym.

Nigdy nie próbować szybkiego zatrzymania urządzenia w ruchu przez zablokowanie ostrza narzędziem lub innym przedmiotem — w taki sposób może dojść do nieumyślnego spowodowania poważnego wypadku.

Odłączyć piłę od zasilania lub wyjąć akumulator przed wymianą ostrza lub przystąpieniem do konserwacji.

Uważać przy pakowaniu i rozpakowaniu ostrza; łatwo zranić się ostrymi końcówkami ostrza.

Stosować uchwyt do ostrza lub zakładając rękawice przy operowaniu tarczą tnącą.

Chronić i przechowywać ostrze w oryginalnym opakowaniu lub innym odpowiednim opakowaniu: przechowywać w suchym miejscu, z dala od substancji chemicznych, które mogą uszkodzić ostrze.

#### **DODATKOWE WSKAZÓWKI BEZPIECZEŃSTWA I INSTRUKCJE ROBOCZE**

Zawsze bezpiecznie i pewnie zacisnąć obrabiany przedmiot.

Upewnij się, czy maszyna jest zawsze pewnie osadzona (np. zamocowana na stole warsztatowym)..

Stosować środki ochrony słuchu! Hałas może powodować utratę słuchu.

Przy pracy maszyną zawsze nosić okulary ochronne. Zaleca się stosowanie rękawiczek do obsługi ostrzy i materiałów chropowatych, jak również solidnego obuwia antypoślizgowego chroniącego też stopy przed przedmiotami obrabianymi, które mogą wydoskwajać się ze strefy skrawania.

Zawsze upewnij się, że wtyczka została odłączona od źródła zasilania przed przystąpieniem do regulacji, smarowania lub dokonaniem jakichkolwiek czynności konserwacyjnych na urządzeniu.

Elektronarzędzie można podłączać do gniazdka sieciowego tylko wtedy, kiedy jest wyłączone.

Nigdy nie sięgać do obszaru w pobliżu ostrza, o ile ostrze nie zostało całkowicie zatrzymane.

Przed użyciem dokładnie sprawdź narzędzie pod kątem jakichkolwiek uszkodzeń lub zmęczenia materiału. Wymiana winna zostać dokonana wyłącznie przez specjalistę.

Zawsze stosować osłony ochronne na elektronarzędziu. Nie używać urządzenia, gdy osłony nie są na swoim miejscu i nie działają poprawnie.

Dolna osłona ostrza powinna się otwierać tylko przy opuszczaniu ostrza na obrabiany przedmiot i musi mieć zawsze możliwość swobodnego ruchu i automatycznego zamykania..

Zawsze mocować i używać uchwytów przedłużających do podparcia przedmiotu obrabianego podczas cięcia.

Nie zmieniać ani nie modyfikować piły lub jej funkcji.

Bezpieczeństwo użytkownika może być zagrożone.

Nie używać tarczy tnących, które są popękane, uszkodzone lub zdeformowane.

Nie używać brzeszczotów wykonanych ze stali szybko tnącej.

Używać wyłącznie tarczy tnących, które są ostre. Wymienić tępą ostrza na nowe.

Należy używać zawsze brzeszczotów odpowiedniej wielkości i z pasującym otworem zamocowania.

Brzeszczoty, które nie pasują do części montażowych piły kręcą się nierównomiernie i prowadzą do utraty kontroli nad urządzeniem.

Stosować wyłącznie ostrza do obróbki drewna określone w niniejszej instrukcji i zgodne z normą EN 847-1.

Do mocowania tarczy tnącej nie używać jakichkolwiek kołnierzy, podkładek i nakrętek innych niż dostarczone lub wskazane w instrukcji obsługi.

Brzeszczot należy dobrać odpowiednio do ciętego materiału. Nigdy nie używać produktu do cięcia materiałów innych niż wymienione w odpowiedniej części niniejszej instrukcji obsługi dotyczącej przeznaczenia urządzenia.

Ważne jest, aby unikać przegrzania ostrza i stopienia przedmiotu obrabianego z tworzywa sztucznego podczas cięcia.

Należy zachowywać maksymalne obroty podane na brzeszczocie. Używać wyłącznie tarcz tnących pracujących z prędkością równą lub wyższą niż prędkość podana na narzędziu.

Wymienić wkładkę stołu, gdy jest zużyta lub uszkodzona.

Przed przystąpieniem do pracy bez włączania silnika wykonać próbne cięcie w celu sprawdzenia położenia ostrza, działanie osłon w stosunku do innych części urządzenia i przedmiotu obrabianego.

Podczas wykonywania cięcia kąтового, fazowania lub złożonych cięć kątowych, dostosować ruchomy ogranicznik, aby zapewnić prawidłowy odstęp od ostrza.

Ogranicznik wspornika musi być zawsze włączony podczas transportu produktu.

Usuwać resztki materiału z podłogi np. wióry i odcięte kawałki drewna.

Nie wolno usuwać żadnych pozostałości po cięciu lub innych części przedmiotów obrabianych gdy maszyna pracuje a głowica piły nie znajduje się w położeniu spoczynkowym.

Długie przedmioty obrabiane należy odpowiednio podeprzeć. Obszar roboczy piły obejmuje cały zakres obrabianego przedmiotu. Operator powinien zabezpieczyć ten obszar przed przypadkowym kontaktem z innymi osobami lub przedmiotami, które mogą poruszać obrabiany przedmiot podczas cięcia.





Pył wydzielający się podczas pracy z elektronarzędziem może być szkodliwy dla zdrowia i dlatego też nie powinien on mieć kontaktu z ciałem. Stosować układ pochłaniania pyłu i nosić odpowiednią maskę ochronną. Dokładnie usunąć nagromadzony pył np. przy pomocy odkurzacza.

Nie wymieniać LED lub lasera na inny typ. Wszelkich napraw musi dokonywać wyłącznie producenta lub autoryzowany serwis.

Wpływać na pracę innych urządzeń elektrycznych podłączonych do tej samej linii zasilającej. Podłącz produkt do źródła zasilania o impedancji wynoszącej 0,3  $\Omega$ , aby ograniczyć wahaną napięcia. Skontaktuj się z dostawcą energii elektrycznej, aby uzyskać szczegółowe informacje.

#### INSTRUKCJE DOTYCZĄCE BEZPIECZEŃSTWA LASER

Promieniowanie laserowe stosowane w tej pile: klasa II, maksymalnie  $P \leq 1\text{mW}$ , długość fali  $\lambda$ : 650nm Nie patrzeć bezpośrednio w przyrządy optyczne. Nieprzestrzeganie zasad może doprowadzić do poważnych obrażeń ciała.

Nie patrzeć na wiązkę podczas pracy.

Nie kierować wiązki laserowej bezpośrednio na oczy innych osób. Może spowodować poważne uszkodzenie oczu.

Nie ustawiać lasera w położeniu, w którym mogłoby dojść do umyślnego lub nieumyślnego spojrzenia jakiegokolwiek osoby w wiązkę lasera.

Nie używać przyrządów optycznych do oglądania wiązki laserowej.

Nie używać lasera przy dzieciach ani nie pozwalać dzieciom obsługiwać laser.

Nie próbować naprawiać urządzenia laserowego samodzielnie.

Nie próbować wymieniać części urządzenia laserowego samodzielnie.

Wszelkich napraw musi dokonywać wyłącznie producenta lub autoryzowany serwis.

Nie zamieniać wbudowanego lasera na laser innego typu.

#### WARUNKI UŻYTKOWANIA

Ukośnica z elementem przesuwным jest przeznaczona do cięcia litego drewna i płyt klejonych formirem lub nie, z tworzywami sztucznymi i materiałami podobnymi do drewna lub bez nich.

Ukośnica z elementem przesuwным jest przeznaczona wyłącznie do użytku przez dorosłych operatorów, którzy zapoznali się z instrukcją i rozumieją ryzyko i zagrożenia.

Ukośnica z elementem przesuwным jest przeznaczona do zamocowania podstawą do solidnego blatu roboczego. Jeśli podstawa nie została prawidłowo ustalona, całe urządzenie może poruszać się podczas operacji cięcia, co zwiększa możliwość poważnego zranienia.

Ukośnica z elementem przesuwным jest przeznaczona do wykonywania cięć pod kątem. Możliwości rozmaitych cięć opisano w specyfikacji produktu zawartej w niniejszej instrukcji.

Ukośnica z elementem przesuwным jest przeznaczona do pracy w suchych warunkach, o doskonałym oświetleniu otoczenia i odpowiedniej wentylacji.

Ukośnica z elementem przesuwным jest przeznaczona do użytkowania przez konsumenta i powinien być wykorzystywana wyłącznie w sposób opisany powyżej; urządzenie to nie jest przeznaczone do innych celów.

#### ZAGROŻENIA RESZTKOWE

Nawet stosowanie ukośnicy z elementem przesuwным zgodnie z zaleceniami nie powoduje całkowitego wyeliminowania pewnych szkodliwych czynników ryzyka. Mogą wystąpić niżej wymienione zagrożenia; operator powinien zwrócić szczególną uwagę, aby uniknąć następujących sytuacji:

- Ryzyko kontaktu z odsłoniętymi częściami obracającą się tarczą tnącą.
- Odrzucenie przedmiotów obrabianych lub ich części w wyniku nieprawidłowej regulacji lub obsługi.
- Gwałtowne odrzucenie wadliwych końcówek z węgla od tarczy tnącej.
- Uszkodzenie układu oddechowego.

**UWAGA:** Nosić maskę chroniącą drogi oddechowe i zawierającą filtry odpowiednie do obrabianych materiałów.

Zapewnić odpowiednią wentylację miejsca pracy. Nie jeść, nie pić ani nie palić w obszarze roboczym.

Uszkodzenie słuchu w razie niestosowania skutecznej ochrony słuchu.

#### OSTRZEŻENIE

Pył z niektórych farb, powłok i materiałów może powodować podrażnienia lub reakcje alergiczne układu oddechowego. Pył z drewna, takiego jak dąb, buk, z pył MDF itp. jest rakotwórczy. Materiały zawierające azbest powinien obrabiać lub przetwarzać wyłącznie wykwalifikowany specjalista.

#### OSTRZEŻENIE

Urazy mogą być spowodowane lub pogłębione w wyniku długotrwałego używania narzędzia. Korzystając z dowolnego narzędzia przez dłuższy czas, należy robić regularne przerwy.

#### NALEŻY ZAPOZNAĆ SIĘ Z PRODUKTEM

patrz strona A.

- |  |  |
|--|--|
| 1. Uchwyt z izolowaną powierzchnią           | 15. Dźwignia blokady kąta ukosu        |
| 2. Przełącznik zwalnający                    | 16. Ogranicznik przesuwny              |
| 3. Dźwignia blokady bezpieczeństwa           | 17. Uchwyt przedmiotu obrabianego      |
| 4. Kołnierz zewnętrzny                       | 18. Szyna przedłużająca                |
| 5. Tarcza tnąca                              | 19. 4 otwory montażowe                 |
| 6. Dolna osłona                              | 20. Stół obrotowy                      |
| 7. Ogranicznik stały                         | 21. Podziałka prowadnicy kątovej       |
| 8. Płyta ze szczeliną                        | 22. Śruba nastawcza kąta ukosu 45°     |
| 9. Dźwignia blokady stołu obrotowego         | 23. Śruba nastawcza kąta ukosu 90°     |
| 10. Górny uchwyt                             | 24. Przełącznik diody LED              |
| 11. Górna osłona                             | 25. Przełącznik lasera                 |
| 12. Przyłącze do odprowadzania pyłu i trocin | 26. Przycisk blokady trzpienia         |
| 13. Śruba ustalająca szynę prowadzącą        | 27. Płyta nastawcza głębokości cięcia  |
| 14. Zacisk                                   | 28. Przycisk nastawy głębokości cięcia |

#### LISTA CZĘŚCI ZAMIENNYCH

- PS 216 L: Ukośnica EN 847-1/  $\varnothing 216 \times \varnothing 30 \times 2,4$  / 48T / HW / n maks. 7000 min<sup>-1</sup> (Strona A: No. 5)
- PS 254 L: Ukośnica EN 847-1/  $\varnothing 254 \times \varnothing 30 \times 2,6$  / 48T / HW / n maks. 7400 min<sup>-1</sup> (Strona A: No. 5)



## PODŁĄCZENIE DO SIECI

Podłączać tylko do źródła zasilania prądem zmiennym jednofazowym i wyłącznie o napięciu podanym na tabliczce znamionowej. Możliwe jest również podłączenie do gniazdka bez uziemienia, ponieważ konstrukcja odpowiada II klasie bezpieczeństwa.

Urządzenia pracujące w wielu różnych miejscach, w tym poza pomieszczeniami zamkniętymi, należy podłączać poprzez ochronny (FI, RCD, PRCD) wyłącznik udarowy.

Elektronarzędzie można podłączać do gniazdka sieciowego tylko wtedy, kiedy jest wyłączone.

Kabel zasilający nie może znajdować się w obszarze roboczym elektronarzędzia. Powinien on się zawsze znajdować się za operatorem.

Przed każdym użyciem należy sprawdzić, czy nie występują oznaki uszkodzeń lub zmęczenia materiału na elektronarzędziu, kablu i wtyczce. Naprawę uszkodzonych części zlecać upoważnionym Przedstawicielom Serwisu.

Wpływać na pracę innych urządzeń elektrycznych podłączonych do tej samej linii zasilającej. Podłącz produkt do źródła zasilania o impedancji wynoszącej 0,3  $\Omega$ , aby ograniczyć wahania napięcia.

Skontaktuj się z dostawcą energii elektrycznej, aby uzyskać szczegółowe informacje.

## UTRZYMANIE I KONSERWACJA

Nie należy modyfikować piły w jakikolwiek sposób ani nie używać akcesoriów nie zatwierdzonych przez producenta. Bezpieczeństwo użytkownika i innych osób może być zagrożone.

Nie należy używać piły, jeśli jakiegokolwiek przełączniki, osłony czy inne funkcje piły nie działają zgodnie z przeznaczeniem. W celu profesjonalnej naprawy lub regulacji zwrócić się do autoryzowanego centrum serwisowego.

Nie dokonywać żadnych regulacji, gdy tarcza tnąca jest w ruchu.

Zawsze upewnić się, że wtyczka została odłączona od źródła zasilania przed przystąpieniem do regulacji, smarowania lub dokonaniem jakichkolwiek czynności konserwacyjnych na urządzeniu.

Przed każdym użyciem i po każdym użyciu sprawdzić piłę pod kątem uszkodzeń lub wadliwych części. Natychmiast zastąpić takie części częściami zamiennymi zatwierdzonymi przez producenta, aby utrzymać piłę w najlepszym stanie technicznym.

Po użyciu ostre jest bardzo gorące; nosić rękawice lub pozostawić do ostygnięcia przed przystąpieniem do konserwacji lub czyszczenia.

Szczotką lub odkurzaczem usunąć nagromadzony pył. Nie używać sprężonego powietrza.

Aby zapewnić bezpieczeństwo i niezawodność, wszystkich napraw, w tym zmiany szczotek, powinien dokonywać autoryzowany serwis.

Oczyszczyć urządzenie i elementy zabezpieczające za pomocą suchej ściereczki.

Otwory wentylacyjne elektronarzędzia muszą być zawsze drożne.

Jeśli konieczna jest wymiana przewodu zasilającego, musi to zostać wykonane przez producenta lub jego przedstawiciela w celu uniknięcia zagrożenia bezpieczeństwa.

Należy stosować wyłącznie wyposażenie dodatkowe i części zamienne AEG. W przypadku konieczności wymiany części, dla których nie podano opisu, należy skontaktować się z przedstawicielami serwisu AEG (patrz lista punktów obsługi gwarancyjnej/serwisowej).

Na życzenie można otrzymać rysunek widoku zespołu rozebranego. Przy zamawianiu należy podać numer oraz typ elektronarzędzia umieszczonego na tabliczce znamionowej. Zamówienia można dokonać albo u lokalnych przedstawicieli serwisu, albo bezpośrednio w Techtronic Industries GmbH, Max-Eyth-Straße 10, 71364 Winnenden, Germany.

## DEKLARACJA ZGODNOŚCI CE

Oświadczamy na naszą wyłączną odpowiedzialność, że produkt opisany pod "Dane techniczne" spełnia wszystkie istotne przepisy dyrektyw

2011/65/UE (RoHS)

2006/42/WE

2014/30/UE

i zastosowano następujące zharmonizowane normy

EN 62841-1:2015

EN 62841-3-9:2015+A11:2017

EN 55014-1:2017

EN 55014-2:2015

EN 61000-3-2:2014

EN 61000-3-11:2000

EN IEC 63000:2018



Winnenden, 2019-03-08

Alexander Krug / Managing Director  
Upelnomocniony do zestawienia danych technicznych

Techtronic Industries GmbH  
Max-Eyth-Straße 10, 71364 Winnenden, Germany



## SYMBOLS



**UWAGA! OSTRZEŻENIE NIEBEZPIECZEŃSTWO!**



Przed przystąpieniem do jakichkolwiek prac związanych z elektronarzędziem należy wyjąć wtyczkę z gniazdka.



**OSTRZEŻENIE-** Aby zmniejszyć ryzyko urazu, użytkownik powinien przeczytać instrukcję obsługi!



Podczas pracy należy zawsze nosić okulary ochronne.



Należy używać ochroniaczy uszu!



Nosić rękawice ochronne!



Nie należy nigdy wkładać rąk w strefę brzeszczotu piły.



Urządzenie można stosować tylko w pomieszczeniach zamkniętych. Nie wystawiać na deszcz.



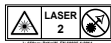
Przyłącze do odprowadzania pyłu i trocin



Urządzenie służy tylko do cięcia drewna.



Nie patrzeć na promień lasera.



Produkt odpowiada klasie lasera 2 wg EN 60825-1:2014.



Średnica ostrza piły x średnica otworu



Kierunek obrotów



Zęby ostrza



Szerokość cięcia

**n<sub>0</sub>**

Prędkość bez obciążenia

**V**

Napięcie



Prąd przemienny



Elektronarzędzie klasy ochrony II. Elektronarzędzie, w którym zabezpieczenie przed porażeniem prądowym zależy nie tylko od izolacji podstawowej, lecz również od tego, czy zostały zastosowane dodatkowe środki ochrony, takie jak: izolacja podwójna lub izolacja wzmacniona.

Nie ma żadnego urządzenia do podłączenia przewodu ochronnego.



Urządzenia elektryczne nie mogą być usuwane razem z odpadami pochodzącymi z gospodarstw domowych. Urządzenia elektryczne i elektroniczne należy gromadzić oddzielnie i w celu usuwania ich do odpadów zgodnie z wymaganiami środowiska naturalnego oddawać do przedsiębiorstwa utylizacyjnego. Proszę zasięgnąć informacji o centrach recyklingowych i punktach zbiorczych u władz lokalnych lub u wyspecjalizowanego dostawcy.



Europejski Certyfikat Zgodności



Ukraiński Certyfikat Zgodności



Euroazjatycki Certyfikat Zgodności



MŰSZAKI ADATOK	PS 216 L	PS 254 L
<b>Gérvágófűrész *</b>		
Gyártási szám	4699 98 01 ... ... 000001-999999	4699 99 01 ... 4740 22 01 ... ... 000001-999999
Névleges teljesítményfelvétel	220-240 V, 50 HZ, 1400W, 6,5 A	220-240 V, 50 HZ, 1800W, 8,7 A
Üresjáratú fordulatszám	5000 min <sup>-1</sup>	4500 min <sup>-1</sup>
Fűrészlap átmérő x lyukátmérő	216 x 30 mm	254 x 30 mm
Fűrészlárcsa lapvastagsága max.	1,6 mm	1,8 mm
Fűrészlárcsa fogvastagsága min.	2,4 mm	2,6 mm
Max. vágási teljesítmény forgásszög 0°/ dőlésszög 0° forgásszög 45°/ dőlésszög 0° forgásszög 0°/ dőlésszög 45° forgásszög 45°/ dőlésszög 45°	65 x 305 mm 65 x 215 mm 36 x 305 mm 36 x 215 mm	90 x 305 mm 90 x 215 mm 50 x 305 mm 50 x 215 mm
Súly a 01/2014 EPTA-eljárás szerint	16,7 kg	19,6 kg
<b>Zajinformáció</b> A köztölt értékek megfelelnek az EN 62841 szabványnak. A készülék munkahelyi zajszintje tipikusan: Hangnyomás szint (K bizonytalanság=3dB(A)) Hangteljesítmény szint (K bizonytalanság=3dB(A)) <b>Hallásvédő eszköz használata ajánlott!</b>	99,27 dB (A) 112,27 dB (A)	95,15 dB (A) 108,15 dB (A)

\*PS  $\triangleq$  Gérvágófűrész

## FIGYELMEZTETÉS!

A feltüntetett zajkibocsátási érték(ek) mérésére szabványos vizsgálati módszer alapján került sor – az EN 62841-1 és a EN 62841-3-9 szabványnak megfelelően – és a kapott értékek az egyes szerszámok összehasonlítására használhatók. A feltüntetett zajkibocsátási érték(ek) az expozíció előzetes értékelésében használhatók.

A villamos szerszám tényleges használata során a zajkibocsátási értékek eltérhetnek a feltüntetett értékektől a szerszám használati módjaitól függően, különösen abban a tekintetben, hogy milyen munkadarab megmunkálására kerül sor.

Határozza meg a kezelő védelméhez szükséges biztonsági intézkedéseket, amelyek a mindenkor használati körülmények között fellépő kitétség elemzésén alapulnak (ennek során minden üzemi ciklust figyelembe kell venni, például azt az időt, amikor az elektromos kéziszerszám ki van kapcsolva, illetve amikor be van kapcsolva, de üresben fut).

Viseljen hallásvédőt. A zaj hatása hallásvesztést okozhat.

**▲ FIGYELMEZTETÉS** Olvasson el minden, a géppel együtt megkapott biztonsági utalást, utasítást, ábrázolást és adatot. Ha nem tartja be a következő előírásokat, akkor ez áramütéshez, tűzhöz és/vagy súlyos személyi sérülésekhez vezethet. **Kérjük a későbbi használatra gondosan őrizze meg ezeket az előírásokat.**

### ▲ BIZTONSÁGI UTASÍTÁSOK A GÉRVÁGÓ FŰRÉSZ HASZNÁLATÁHOZ

a) A gérvágó fűrész fából vagy fához hasonló anyagból készült termékek vágására szolgál, csiszoló vágókerékkel vas anyagú árucikkhez – például különféle rúd típusok – nem használható. A csiszolási művelet közben keletkező por a mozgó alkatrészek (pl. alsó védőelem) elakadását okozza. A csiszoló vágás során keletkező szikra hatására az alsó védőelem, a horonybetét és az egyéb műanyag alkatrészek meggyulladnak.

b) Amikor csak lehetséges, használjon satut a munkadarab befogásához. Ha kézzel támasztja meg a munkadarabot, tartson legalább 100 mm-es biztonsági távolságot a fűrészlap oldalaitól. Ne használja a fűrészlapot a biztonságos befogáshoz vagy kézzel való rögzítéshez túl apró darabok vágásához. Ha túl közel tartja a kezét a fűrészlaphoz, megnöveli az annak megérintéséből származó sérülés kockázatát.

c) A munkadarabot rögzíteni kell, vagy neki kell nyomni a párhuzamvezetőnek és az asztalnak. Ne tegye a munkadarabot a fűrészlapoz, és ne hajtson végre semmilyen módon „kézi vágást”. A nem rögzített vagy mozgó alkatrészek nagy sebességgel kirepülhetnek, és sérülést okozhatnak.

d) Nyomja neki a fűrészlapot munkadarabnak (ne húzza azon). A vágáshoz emelje fel a fűrészfejet, és húzza át a munkadarab felett, anélkül, hogy vágást hajtana végre. Indítsa el a motort, nyomja le a fűrészfejet, és nyomja neki a fűrészlapot munkadarabnak. A vágásnál, húzó mozdulat hatására előfordulhat, hogy a fűrészlap „felmászik” a munkadarabra, és a fűrészlap erőteljesen a kezelőnek csapódik.

e) **Soha ne nyúljon át a kívánt vágási vonal felett, a fűrészlap előtt, ill. mögött.** A munkadarab „átnyúlással”, valamint bal kézzel a fűrészlap jobb oldalán, illetve jobb kézzel a bal oldalán való megtámasztása nagyon veszélyes művelet.

f) **Ne nyúljon a párhuzamvezető mögé a fűrészlap bármelyik oldalától mért 100 mm-es távolságon belül a faforgács eltávolításához vagy egyéb okból, mialatt a fűrészlap forog.** Előfordulhat, hogy a kezelő nem észleli a forgó fűrészlap közelségét, és emiatt súlyos sérülést szenvedhet.

g) **Vizsgálja meg a munkadarabot a vágás előtt. Ha görbe vagy vetemedés jeleit mutatja, szorítsa külső meggömbült oldalával a párhuzamvezetőhöz. Minden esetben ügyeljen arra, hogy ne legyen rés a munkadarab, a párhuzamvezető és az asztal között, a vágás vonalában.** A hajlott vagy megvetemedett munkadarabok megcsavarodhatnak vagy elmozdulhatnak, és vágás közben a forgó fűrészlaphoz tapadhatnak. Szeg vagy idegen tárgy nem lehet a munkadarabon.

h) **Ne használja a fűrészét mindaddig, míg el nem távolította az asztalról az összes szerszámot (kivéve a munkadarabot), és meg nem tisztította az asztalt a faforgácstól és egyéb hulladékoktól.** Az apró törmelék, a szabad farészek vagy a forgó fűrészlappal érintkező egyéb tárgyak nagy sebességgel kirepülhetnek.

i) **Egyszerre csak egy munkadarab vágását végezze.** Több munkadarab nem fogatható be és nem rögzíthető megfelelően, és ezek a munkadarabok a fűrészlaphoz tapadhatnak vagy a vágás során elmozdulhatnak.

j) **Használat előtt helyezze a gérvágó fűrész egy sima, masszív munkafelületre.** A sima, masszív felület csökkenti a gérvágó fűrész instabilitásának kockázatát.

k) **Tervezze meg a munkafolyamatot. Ha megváltoztatja a gérvágó fűrész szögbeállításait, minden esetben ügyeljen arra, hogy az állítható párhuzamvezető úgy legyen beállítva, hogy megfelelően rögzítse a munkadarabot, és az ne érintkezzen a fűrészlappal vagy a védőrendszerrel.** Az eszköz bekapcsolása nélkül, és anélkül, hogy munkadarabot helyezne az asztalra, hajtja végre a fűrészlap teljes vágásának simulációját, biztosítva, hogy a párhuzamvezető vágása ne ütközzön akadályba, és ne idézzen elő veszélyt.

l) **Az asztallapnál szélesebb vagy hosszabb munkadarab esetében gondoskodjon a megfelelő rögzítésről (pl. az asztal meghosszabbítása, fűrészbak stb.).** A gérvágó fűrész asztalánál hosszabb vagy szélesebb munkadarabok megfelelő rögzítés hiányában felbillenhetnek. Ha a levágott (munka)darab felbillen, megemelheti az alsó védőelemet, vagy a forgó fűrészlap kirepülheti.

m) **Az asztal meghosszabbítása helyett vagy további rögzítés céljából ne vegye igénybe másik személy segítségét.** A munkadarab instabil rögzítése a fűrészlap tapadását idézheti elő, illetve a vágási művelet során elmozdult munkadarab a kezelőt és segítőjét a forgó fűrészlaphoz ránthatja.

n) **A levágott darabot semmilyen körülmények között sem szabad a forgó fűrészlaphoz nyomni.** Helyhiány esetén (pl. hosszirányú ütközők használatakor) a levágott darab a fűrészlapha ékelődhet, és erőteljesen kirepülhet.

o) **A kerek anyagok (pl. rudak vagy csövek) rögzítéséhez minden esetben használjon szorítót vagy a célnak megfelelő eszközt.** A rudak a vágás során kifordulhatnak, minek következtében a fűrészlap odakaphat, és a kezelő a munkadarabot a fűrészlaphoz húzhatja.

p) **A fűrészlaphoz a munkadarabbal való érintkezés előtt el kell érnie a maximális sebességet.** Ezáltal csökkenthető a munkadarab kirepülésének kockázata.

q) **Ha a munkadarab vagy a fűrészlap beszorul, a gérvágó fűrész ki kell kapcsolni.** Várja meg, míg minden mozgó alkatrész leáll, húzza ki a dugót az áramforrásból, és/vagy vegye ki az akkumulátorcsomagot. Ezután könnyedén eltávolíthatja a beszorult anyagot. A beszorult munkadarab mellett végzett folyamatok fűrészhasználat ellenőrizetlen folyamathoz idézhet elő, vagy károsíthatja a gérvágó fűrész.

r) **A vágási művelet befejeztével engedje fel a kapcsolót, tartsa lent a fűrészfejet, és várja meg, míg a fűrészlap leáll, mielőtt eltávolítja a levágott darabot.** A fűrészlap közelébe nyúlni veszélyes!

s) **Tartsa erősen a fogantyút, ha nem teljes vágást hajt végre, vagy ha azelőtt engedi fel a kapcsolót, hogy a fűrészfej teljesen eléri az alsó pozíciót.** A fűrész fékező hatásának eredményeként a fűrészfej hirtelen lenyomódhat, ami sérülésveszélyt idézhet elő.

#### FA VÁGÁSÁRA ALCALMAS FÜRÉSZTÁRCSA KÜLÖNLEGES BIZTONSÁGI TUDNIVALÓK

A fűrészártsza és a gép használata előtt körültekintően olvassa el a kézikönyvet és az utasításokat.

A gépnek jó állapotban kell lennie, a tengelynek mentesnek kell lennie deformálódásoktól és vibrációtól.

A fűrész ne használja a helyére illesztett védőburkolatok nélkül; a védőburkolatokat tartsa jó üzemi állapotban és megfelelően karban tartva.

Ügyeljen rá, hogy a kezelő megfelelő kioktatásban részesüljön a biztonsági óvintézkedések, valamint a gép beállítása és üzemeltetése terén.

A gép használata során mindig viseljen védőszemüveget és hallásvédő eszközt. Ajánlottan kesztyűt, kemény csúszásmentes lábbelit és kötényt viselni.

Mindenmű tartozék használata előtt nézzen utána a használati utasításban. Bármely tartozék szakszerűtlen használata károsodást okozhat és növeli a sérülés veszélyét.

Csak a jelen használati utasításban megjelölt, az EN 847-1 szabványnak megfelelő fűrészártszást használjon.

Vegye figyelembe a fűrészártszán szereplő maximális fordulatszámot. Ügyeljen rá, hogy a fűrészártszán szereplő fordulatszám legalább egyenlő legyen a fűrészén szereplő fordulatszámmal.

Mindig csak a helyes méretű és a készüléknek megfelelő rögzítő nyílással ellátott fűrészlapokat használjon. Azok a fűrészlapok, amelyek nem illeszkednek a fűrész rögzítő alkatrészeihez, nem futnak körkörösén és ahhoz vezetnek, hogy a kezelő elveszti a készülék feletti uralmat.

Ne használjon az ajánlottól nagyobb vagy kisebb átmérőjű fűrészártszást. A fűrészártsza tengelyre illesztéséhez ne használjon távtartókat.



Minden használat előtt ellenőrizze a fűrésztárcsa csúcsainak esetleges sérülését vagy rendellenes megjelenését. A sérült vagy lelazult csúcsok használat során elrepülhetnek és növelik személyi sérülés veszélyét.

Tilos repedt vagy deformált fűrészlapot használni! Nem szabad sérült vagy deformálódott vágólapot használni.

Selejtezze le a fűrésztárcsát, ha sérült, deformálódott, eltorzult vagy repedt, mert a javítás nem megengedett.

Ne használjanak gyorsacélból készült fűrészlapokat!

Ügyeljen rá, hogy a fűrésztárcsa megfelelően legyen felhelyezve, és használat előtt húzza meg a rögzítő anyát (meghúzási nyomaték kb. 12 Nm).

A rögzítő csavart és anyákat megfelelő csavarkulcsokkal kell meghúzni.

A csavarkulcs hosszabbítása vagy kalapácsütésekkel történő meghúzás nem megengedett.

Ügyeljen rá, hogy a fűrésztárcsa és a karimák tiszták, és a perem hornyolt oldala érintkezzen a fűrésztárcsával.

Ügyeljen rá, hogy a fűrésztárcsa a helyes irányban forogjon.

Munkavégzés előtt a motor bekapcsolása nélkül végezzen vágási mozdulatot a fűrésztárcsa pozicionálásának, a védőburkolatoknak a többi géppalkatrézshez és a munkadarabhoz képest történő működésének ellenőrzése érdekében.

Soha ne hagyja a gépet felügyelet nélkül.

A fűrésztárcsa forgása közben ne tegyen kenőanyagot rá.

Ne végezzen tisztítást vagy karbantartási munkát, ha a gép még üzemben van és a fej még nincs nyugalmi állapotban.

Soha ne próbálja meg a mozgásban levő gépet a szerszám beszorításával vagy más tárgynak a fűrésztárcsához szorításával megállítani, mert így akaratlanul is súlyos baleseteket okozhat.

Fűrésztárcsa cseréje vagy karbantartás elvégzése előtt válassza le a fűrészgépet a hálózatról vagy vegye ki az akkumulátort.

A fűrésztárcsa becsomagolását és kicsomagolását figyelmesen végezze, mert a fűrésztárcsa éles csúcsai könnyen sérülést okozhatnak.

Fűrésztárcsa kezelése során használjon fűrésztárcsa-tartót vagy viseljen kesztyűt.

A fűrésztárcsát az eredeti csomagolásában vagy más alkalmas csomagolásban tárolja, száraz körülmények között, vegyszerektől távol, mert ezek a fűrésztárcsa károsodását okozhatják.

## TOVÁBBI BIZTONSÁGI ÉS MUNKAVÉDEZÉSI UTASÍTÁSOK

Mindig biztonságosan és stabilan fogja be a munkadarabot.

Biztosítani kell, hogy a gép helyzete állandóan biztonságos legyen (pl. rögzítve legyen a munkapadon)..

Viseljen hallásvédőt. A zaj hatása hallásvesztést okozhat.

Ha a gépen dolgozik, mindig hordjon védőszemüveget! Fűrésztárcsák és durva anyagok kezelése során ajánlatos kesztyű viselése, valamint kemény csúszásmentes munkavédelmi lábbeli viselése, ami védi a lábfejet a vágási területről esetlegesen leeső munkadaraboktól.

Mindig ügyeljen arra, hogy a csatlakozódugó legyen kihúva a hálózati áramforrásból, mielőtt beállításokat, kenést vagy karbantartást végez a terméken.

A készüléket csak kikapcsolt állapotban szabad ismét áram alá helyezni.

Addig ne nyúljon a fűrésztárcsa közelében levő területre, amíg a fűrésztárcsa teljesen le nem állt.

Használat előtt alaposan ellenőrizze, hogy nincs-e sérülés vagy anyagkifáradás a szerszámon. A sérült alkatrészeket csak szakemberrel javíttassa meg.

A készülék biztonságtechnikai felszereléseit feltétlenül használni kell. Ne használja a gépet, ha a védőburkolatok nincsenek a helyükön és nem működnek megfelelően.

A fűrészlappal alsó védőburkolatot csak akkor szabad kinyitni, ha a fűrészlappal van engedve a munkadarabra. A szabad mozgathatóságra és automatikus záródásra is ügyelni kell..

A gép működése közben mindig használjon és rögzítsen hosszab-bitőrúd-tartókat a munkadarab alátámasztása céljából.

Soha ne módosítsa és ne alakítsa át a fűrészt vagy annak működését. A biztonsága veszélybe kerülhet.

Ne használjon repedt, sérült vagy deformálódott fűrésztárcsát.

Ne használjanak gyorsacélból készült fűrészlapokat!

Csak éles fűrésztárcsát használjon. Az életlen fűrésztárcsákat cserélje újakra.

Mindig csak a helyes méretű és a készüléknek megfelelő rögzítő nyílással ellátott fűrészlapokat használjon.

Azok a fűrészlapok, amelyek nem illeszkednek hozzá a fűrésztárcsához, nem futnak körkörösre és ahhoz vezetnek, hogy a kezelő elveszti a készülék feletti uralmat.

Csak a jelen használati utasításban megjelölt, az EN 847-1 szabványnak megfelelő, fagymunkálásra alkalmas fűrésztárcsát használjon.

Csak a mellékelt vagy a jelen használati utasításban megjelölt karimákat, alátéteket és anyacsavarokat használja a fűrésztárcsa rögzítésére.

Válasszanak a vágni kívánt anyagnak megfelelő fűrészlapot! Soha ne használja a terméket a használati utasítás rendeltetésszerű használatra vonatkozó fejezetében előírtaktól eltérő anyagok vágására.

Fontos, hogy vágás közben a fűrészlappal ne hevüljön túl, és a műanyag munkadarab ne olvadjon meg.

Be kell tartani a fűrészlapon feltüntetett maximális fordulatszámot! Csak olyan fűrészlapot használjon, amelyen legalább akkora fordulatszám van feltüntetve, mint a szerszámon.

Cserélje ki az asztalbetétet, ha kopott vagy sérült.

Munkavégzés előtt a motor bekapcsolása nélkül végezzen vágási mozdulatot a fűrésztárcsa pozicionálásának, a védőburkolatoknak a többi géppalkatrézshez és a munkadarabhoz képest történő működésének ellenőrzése érdekében.

Gérvágás, ferdévágás vagy összetett vágások végrehajtásakor úgy állítsa be a gérvágó vezetősimot, hogy biztosítsa a megfelelő hézagot a vágólapotól.

A tartóütközöt mindig használni kell a termék szállítása során.

A padlót anyagmaradványoktól, pl. forgácstól és fűrészelési maradványoktól tisztán kell tartani.

Ha a gép jár és a fűrészfaj nincs nyugalmi állapotban, nem szabad eltávolítani fűrészelési maradványokat vagy más munkadarabrészeket a fűrészelési tartományból.

A hosszú munkadarabokat alkalmas módon meg kell támasztani. A fűrészmunkaterülete a teljes munkadarabra kiterjed. A kezelőnek ügyelnie kell arra, hogy a munkadarabot az eszköz üzemelése közben esetlegesen megmozdító más személyek vagy tárgyak ne kerüljenek véletlenül érintkezésbe ezzel a területtel.

A munkavégzés során keletkező por az egészségre ártalmas lehet. Ilyen esetben ajánlatos a megfelelő elszívó berendezés és a védőmaszk használata. A munkaterületen lerakódott port alaposan el kell takarítani.



Mag

A LED-et vagy a lézert ne cserélje más típusúra. Mindennemű javítást csak a gyártó vagy a hivatalos szerviz végezhet.

A pillanatnyi áramfelvétel kiugrások feszültségingadozást okozhatnak és ez az azonos áramkörbe kapcsolt más elektromos termékek működésére is hatással lehet. A feszültségfluktuációk minimalizálása érdekében a terméket olyan áramforráshoz csatlakoztassa, amelynek impedanciája 0,3 Ω. További információkért forduljon az áramszolgáltatóhoz.

### KÜLÖNLEGES BIZTONSÁGI TUDNIVALÓK LÉZER

Az ebben a fűrészgépben alkalmazott lézer sugárzása II. osztályba sorolt, maximálisan  $P \leq 1 \text{ mW}$  teljesítményű és  $\lambda: 650 \text{ nm}$  hullámhosszú. Optikai eszközökkel ne nézzen bele közvetlenül. A szabályok megszegése súlyos személyi sérülést eredményezhet.

A gép működése közben ne nézzen bele a lézersugárba.

A lézersugarat ne irányítsa közvetlenül mások szemébe. Ez súlyos szemsérüléshez vezethet.

A lézert ne állítsa olyan helyzetbe, hogy mások szándékosan vagy véletlenül a lézersugárba nézhessenek.

Ne használjon optikai eszközöket a lézersugár nézésére.

Ne használja a lézert gyerekek közelében és gyerekeknek ne engedje a lézer működtetését.

Ne próbálja meg saját maga megjavítani a lézereszközt.

Ne próbálja meg saját maga kicserélni a lézereszköz egyetlen alkatrészét sem.

Mindennemű javítást csak a gyártó vagy a hivatalos szerviz végezhet.

Sohase cserélje ki a készülékbe beépített lézert egy más típusú lézerre.

### RENDELTELTÉSSZERŰ HASZNÁLAT

A csúsztható motorral (és fűrészláncával) ellátott kombinált gérvágó fűrész furnirozott vagy furnír nélküli szilárd és ragasztott fa, műanyagok és a fához hasonló anyagok vágására szolgál.

A csúsztható motorral (és fűrészláncával) ellátott kombinált gérvágó fűrész olyan felnőtt kezelő általi használatra szolgál, aki előrevasta a használati utasítást és tudomásul vette a kockázatokat és a veszélyeket.

A csúsztható motorral (és fűrészláncával) ellátott kombinált gérvágó fűrész úgy van kialakítva, hogy a gépalapnál fogva szilárd munkapadhoz kell rögzíteni. Ha a gépalap nincs stabilan rögzítve, akkor a gép a vágási művelet során elmozdulhat, ami növeli a súlyos személyi sérülés lehetőségét.

A csúsztható motorral (és fűrészláncával) ellátott kombinált gérvágó fűrész ferde és félderékszögű vágásra van kialakítva. Az egyes vágások lehetőségei a jelen használati utasításban a termék műszaki adatai között szerepel.

A csúsztható motorral (és fűrészláncával) ellátott kombinált gérvágó fűrész száraz körülmények között, kiváló környezeti megvilágítás és megfelelő szellőzés mellett szabad használni.

A csúsztható motorral (és fűrészláncával) ellátott kombinált gérvágó fűrész házi használatra készült, és csak a fent leírt módon használható, más célra nem használható.

### FENNMARADÓ VESZÉLYEK

Még akkor sem lehet teljesen kizárni egyes kockázati tényezőket, ha a csúsztható motorral (és fűrészláncával) ellátott kombinált gérvágó fűrész az előírásoknak megfelelően használja. Az alábbi veszélyek felléphetnek és a kezelőnek különös figyelmet kell fordítania az alábbiak elkerülésére:

- A forgó fűrészláncra fedetlen forgó részeivel való érintkezés kockázata.
- A nem megfelelő beállítás vagy kezelés miatt munkadarabok visszarúgása vagy munkadarabok részeinek visszapattanása.
- A fűrészláncáról lerepülő karbidcsúcsok.
- Légzőrendszer károsodása.

**MEGJEGYZÉS:** Viseljen a megmunkált anyagnak megfelelő szűrővel ellátott légzésvédő maszkot.

Biztosítsa a munkahely kellő szellőzését. A munkaterületen ne étkezzon, ne igyon és ne dohányozzon.

Halláskárosodás, ha nem visel hatékony hallásvédő eszközt.

### FIGYELMEZTETÉS

Egyes festékekből, bevonatokból és anyagokból származó por irritációt vagy légzőrendszeri allergiát okozhat. A fából (tölgy, bükk, MDF és egyéb) származó por rákkeltő. Az besztartalmú anyagokat csak szakképzett kezelők munkálhatnak meg és dolgozhatnak fel.

### FIGYELMEZTETÉS

Adott szerszám hosszabb idejű vagy halmozódó használata sérüléseket okozhat. Ügyeljen rá, hogy rendszeresen szüneteket tartson, ha bármely szerszámot hosszabb ideig használ.

### ISMERJE MEG A TERMÉKET

Lásd ... oldalon A.

- |                                    |   |
|------------------------------------|---|
| 1. Fogantyú, szigetelt fogófelület | 15. Vágásszörgörgető kar                          |
| 2. Kapcsoló kioldógombja           | 16. Csúszóvezető                                  |
| 3. Biztonsági rögzítőkár           | 17. Munkadarabtartó                               |
| 4. Külső perem                     | 18. Hosszabbítórúd                                |
| 5. Fűrészlap                       | 19. Szerelőfuratok, x4                            |
| 6. Alsó védőelem                   | 20. Forgóasztal                                   |
| 7. Rögzített vezető                | 21. Gérszála                                      |
| 8. Bevágot lemez                   | 22. 45°-os vágásszög beállítására szolgáló csavar |
| 9. Forgóasztal-rögzítő fogantyú    | 23. 90°-os vágásszög beállítására szolgáló csavar |
| 10. Felső fogantyú                 | 24. LED-es kapcsoló                               |
| 11. Felső védőelem                 | 25. Lézer kapcsolója                              |
| 12. Porcsúszda                     | 26. Orsóretesz gombja                             |
| 13. Lineáriszár megállító gombja   | 27. Vágásmélység-beállító lemez                   |
| 14. Szorító                        | 28. Vágásmélység-beállító gomb                    |

### PÓTLAKTRÉSZEK LISTÁJA

- PS 216 L: Gérvágófűrész EN 847-1 / ø216 x ø30 x 2,4 / 48T / HW / n max. 7000 min<sup>-1</sup> (Oldal A: No. 5)
- PS 254 L: Gérvágófűrész EN 847-1 / ø254 x ø30 x 2,6 / 48T / HW / n max. 7400 min<sup>-1</sup> (Oldal A: No. 5)
- KBevágot lemez (Oldal A: No. 8)



## HÁLÓZATI CSATLAKOZTATÁS

A készüléket csak egyfázisú váltóáramra és a teljesítménytáblán megadott hálózati feszültségre csatlakoztassa. A csatlakoztatás védőérintkező nélküli dugaszolóaljzatokra is lehetséges, mivel a készülék felépítése II. védettségi osztályú.

Szabadban a dugaljat hibaáram-védőkapcsolóval kell ellátni. Az elektromos készülékek üzembehelyezési útmutatása ezt kötelezően előírja (FI, RCD, PRCD). Ügyeljen erre az elektromos kéziszerszámok használatakor is.

A készüléket csak kikapcsolt állapotban szabad ismét áram alá helyezni.

Munka közben a hálózati csatlakozókábel a sérülés elkerülése érdekében a munkaterülettől, illetve a készüléktől távol kell tartani.

Használat előtt a készüléket, hálózati csatlakozó- és hosszabítókábeleket, valamint a csatlakozódugót sérülés és esetleges elhasználódás szempontjából felül kell vizsgálni és szükség esetén szakemberrel meg kell javíttatni.

A pillanatnyi áramfelvétel kiugrások feszültségadozást okozhatnak és ez az azonos áramkörbe kapcsolt más elektromos termékek működésére is hatással lehet. A feszültségfluktuációk minimalizálása érdekében a terméket olyan áramforráshoz csatlakoztassa, amelynek impedanciája 0,3 Ω.

További információért forduljon az áramszolgáltatóhoz.

## KARBANTARTÁS

A fűrészt semmilyen módon ne módosítsa és ne használjon a gyártó által jóvá nem hagyott tartozékokat. Az ön és mások biztonsága veszélybe kerülhet.

Ne használja a fűrészt, ha bármely kapcsolója, védőburkolata vagy a fűrészt más funkciója nem működik rendeltetészerűen. Juttassa vissza hivatalos szervizbe szakszerű javítás vagy beállítás céljából. Ne végezzen semminemű beállítást, amíg a fűrésztárcsa mozgásban van.

Mindig ügyeljen arra, hogy a csatlakozódugó legyen kihúzva a hálózati áramforrásból, mielőtt beállításokat, kenést vagy karbantartást végez a terméken.

Minden használat előtt és után ellenőrizze a fűrészt esetleges károsodását vagy törött alkatrészeit, és a gyártó által jóváhagyott pótalkatrészekkel végzett azonnal cserével tartsa kiváló üzemi állapotban azt.

Használat után a fűrésztárcsa nagyon forró, ezért karbantartás vagy tisztítási eljárás előtt viseljen kesztyűt vagy hagyja lehűlni. Kéfével vagy porszívóval tisztítsa le a felgyülemlt port. Ne használjon sűrített levegőt.

A biztonság és a megbízhatóság biztosítása érdekében minden javítást – ide értve szénkefék cseréjét is – hivatalos szerviznek kell végeznie.

A készüléket és a védőeszközt száraz kendővel tisztítsa.

A készülék szellőzőnyílásait mindig tisztán kell tartani.

Ha a hálózati kábel cseréje szükséges, akkor ezt a biztonsági kockázat elkerülése érdekében a gyártóval vagy annak megbízottjával kell elvégeztetni.

Javításhoz, karbantartáshoz kizárólag AEG alkatrészeket és tartozékokat szabad használni. A készülék azon részeinek cseréjét, amit a kezelési útmutató nem engedélyez, kizárólag a javításra feljogosított márkaszervíz végezheti. (Lásd a szervizlistát)

Szükség esetén a készülékek robbantott ábráját - a készülék típusa és azonosító száma alapján a területileg illetékes TTI márkaszervíztől vagy közvetlenül a gyártótól (Techtronic Industries GmbH, Max-Eyth-Straße 10, 71364 Winnenden, Germany) lehet kérni.

## CE-AZONOSSÁGI NYILATKOZAT

Kizárólagos felelősségünk alapján kijelentjük, hogy a „Műszaki adatok” fejezetben leírt termék megfelel a irányelvek összes vonatkozó rendelkezésének

2011/65/EU (RoHS)

2006/42/EK

2014/30/EU

harmonizált szabvány és a

EN 62841-1:2015

EN 62841-3-9:2015+A11:2017

EN 55014-1:2017

EN 55014-2:2015

EN 61000-3-2:2014

EN 61000-3-11:2000

EN IEC 63000:2018



Winnenden, 2019-03-08

Alexander Krug / Managing Director  
Műszaki dokumentáció összeállításra felhatalmazva

Techtronic Industries GmbH  
Max-Eyth-Straße 10, 71364 Winnenden, Germany





## SZIMBÓLUMOK



FIGYELEM! FIGYELMEZTETÉS! VESZÉLY!



Bármilyen jellegű karbantartás vagy javítás előtt a készüléket áramtalanítani kell.



FIGYELMEZTETÉS-A sérülésveszély csökkentése érdekében a felhasználónak el kell olvasnia a használati utasítást!



Munkavégzés közben ajánlatos védőszemüveget viselni.



Hallásvédő eszköz használata ajánlott!



Hordjon védőkesztyűt!



A kezeknek soha nem szabad a fűrészlap tartományába kerülniük.



A készülék kizárólag zárt térben történő használatra alkalmas és semmiképpen sem szabad esőnek kitenni.



Porcsatorna csatlakozási port



Csak fát vágjon.



Tilos a lézersugárba nézni.



A termék az EN 60825-1:2014 szerint a 2. lézertípusba tartozik.



Fűrészlap átmérő x lyukátmérő



Forgásirány



Fűrészlap-fog



Vágási szélesség

**n<sub>0</sub>**

Üresjárat fordulatszám

**V**

Feszültség



Váltóáram



II. védelmi osztályú elektromos szerszám. Olyan elektromos szerszám, amelynek az elektromos áramütés elleni védelem nem csak az alapszigeteléstől függ, hanem amelyben kiegészítő védőintézkedéseket, mint pl. kettős szigetelés vagy megerősített szigetelés, alkalmaznak.

Nincs lehetőség védőérintkező csatlakoztatására. Az elektromos eszközöket nem szabad a háztartási hulladékkal együtt ártalmatlanítani. Az elektromos és elektronikus eszközöket szelektíven kell gyűjteni, és azokat környezetbarát ártalmatlanítás céljából hulladékhasznosító üzemben kell leadni. A helyi hatóságoknál vagy szakkereskedőjénél tájékozódjon a hulladékudvarokról és gyűjtőhelyekről.



Európai megfelelőségi jelölés



Ukrán megfelelőségi jelölés



Eurázsiai megfelelőségi jelölés



TEHNIČNI PODATKI	PS 216 L	PS 254 L
<b>Potezna žaga *</b>		
Proizvodna številka	4699 98 01 ... ... 000001-999999	4699 99 01 ... 4740 22 01 ... ... 000001-999999
Nazivna sprejemna moč	220-240 V, 50 HZ, 1400W, 6,5 A	220-240 V, 50 HZ, 1800W, 8,7 A
Število vrtljajev v prostem teku	5000 min <sup>-1</sup>	4500 min <sup>-1</sup>
List žage ø x vrtni ø	216 x 30 mm	254 x 30 mm
Debelina rezila žage maks.	1,6 mm	1,8 mm
Debelina zobcev na rezilu žage min.	2,4 mm	2,6 mm
Maksimalna jakost reza Jeralni kot vodoravno 0°/ Jeralni kot navpično 0° Jeralni kot vodoravno 45°/ Jeralni kot navpično 0° Jeralni kot vodoravno 0°/ Jeralni kot navpično 45° Jeralni kot vodoravno 45°/ Jeralni kot navpično 45°	65 x 305 mm 65 x 215 mm 36 x 305 mm 36 x 215 mm	90 x 305 mm 90 x 215 mm 50 x 305 mm 50 x 215 mm
Teža po EPTA-proceduri 01/2014	16,7 kg	19,6 kg
<b>Informacije o hrupnosti</b> Vrednosti merjenja ugotovljene ustrezno z EN 62841. Raven hrupnosti naprave ovrednotena z A, znaša tipično: Nivo zvočnega tlaka (Nevarnost K=3dB(A)) Višina zvočnega tlaka (Nevarnost K=3dB(A))	99,27 dB (A) 112,27 dB (A)	95,15 dB (A) 108,15 dB (A)
<b>Nosite zaščito za sluh!</b>		

\*PS ≙ Potezna žaga

### OPOZORILO!

Navedene vrednosti emisij hrupa so bile izmerjene v skladu s standardizirano preskusno metodo v skladu z EN 62841-1 in EN 62841-3-9 ter jih je mogoče uporabljati za primerjavo orodij med seboj. Navedene vrednosti emisij hrupa je mogoče tudi uporabiti v predhodni oceni izpostavljenosti.

Emisije hrupa med dejansko uporabo električnega orodja lahko odstopajo od navedenih vrednosti, odvisno od načina uporabe orodja, zlasti od vrste obdelovanca.

Opreделите varnostne ukrepe za zaščito upravljalca, ki temeljijo na oceni izpostavljenosti v dejanskih pogojih uporabe (ob upoštevanju vseh delov obratovalnega cikla, kot so časi, ko je orodje izklopljeno, in ko ta deluje v prostem teku, poleg časa sprožitve).

Nosite zaščito za sluh. Hrup lahko povzroči izgubo sluha.

**⚠ OPOZORILO** Preberite vse varnostne napotke, navodila, prikaze in podatke, ki ste jih prejeli skupaj z napravo. Zaradi nespoštovanja spodaj navedenih navodil lahko pride do električnega udara, požara in/ali težkih telesnih poškodb.

**Vsa opozorila in napotila shranite, ker jih boste v prihodnje še potrebovali.**

### ⚠ VARNOSTNA NAVODILA ZA ZAJERALNE ŽAGE

**a) Zajeralne žage so namenjene rezanju lesa ali lesu podobnih izdelkov, ni jih mogoče uporabljati z brusilnimi rezalnimi koluti za rezanje železnih materialov kot so palice, drogovci, žebliji, itd.** Brusni prah povzroča, da se gibljivi deli, kot je spodnji ščitnik, zagodijo. Iskre povzročene z brusilnim rezanjem bodo stopile spodnji ščitnik, mizni vstavek in druge plastične dele.

**b) Kadar je mogoče, za podporo obdelovanca uporabite primeže.** V primeru podpiranja obdelovanca z roko, morate roko vedno držati vsaj 100 mm stran od obeh strani žaginega lista. Te žage ne uporabljajte za rezanje kovov, ki so premajhni, da bi jih lahko varno pritrdili ali ročno držali. Če je vaša roka postavljena približno žaginemu listu, obstaja povečana nevarnost poškodb zaradi stika z rezilom.

**c) Obdelovanec mora biti v mirovanju in vpet ali pridržan tako ob ograjo kot ob mizo. Obdelovanca ne potiskajte v rezilo ali režite "prostorčno" na kakršen koli način.** Nepri-vezani ali premikajoči se obdelovanci so pri visokih hitrostih lahko izvrženi in povzročijo poškodbe.

**d) Potisnite žago skozi obdelovanec. Ne vlečite žage skozi obdelovanec. Da bi naredi rez, dvignite glavo žage in jo povlecite preko obdelovanca, ne da bi pri tem zarezali vanj, zaženite motor, pritisnite glavo žage navzdol in potisnite žago skozi obdelovanec.** Rezanje na poteg lahko povzroči, da se žagin list vzpne na vrh obdelovanca in nasilno izvrže sklop rezil proti uporabniku.

**e) Z roko nikoli ne prečkajte predvidene linije za rezanje tako pred kot za žaginim listom.** Podpiranje obdelovanca z prekrizanimi rokami, torej držanje obdelovanca desno od žaginega lista z levo roko in obratno, je zelo nevarno.

**f) Medtem ko se rezilo vrti, z nobeno roko ne segajte za ograjo bližje kot 100 mm od obeh strani žaginega lista, da bi odstranili lesne ostanke ali iz katerega koli drugega razloga.** Bližina vrteče se žage vaši roki morebiti ni očitna in lahko se resno poškodujete.

**g) Pred rezanjem preglejte vašega obdelovanca.** Če je obdelovanec uklonjen ali ukrivljen, ga pripnite z zunanjo uklonjeno ploskvijo proti ograji. Vedno se prepričajte, da med obdelovancem, ograjo in mizo ni vrzeli vzdolž linije reza. Zviti ali ukrivljeni obdelovanci se lahko zvijejo ali premaknejo in lahko povzročijo sprjetje na vrteči se žagin list med rezanjem. Na obdelovancu ne sme biti žebeljev in tujih predmetov.

**h) Žage ne uporabljajte dokler miza ni prosta vseh orodij, lesnih ostankov, itd., razen obdelovanca.** Majhni delci ali razmajani kosi lesa ali drugi predmeti, ki pridejo v stik z vrtečim se rezilom, so lahko izvrženi z visoko hitrostjo.

**i) Režite le enega obdelovanca naenkrat.** Več zloženih obdelovancev ni mogoče ustrezno pripetiti ali podpreti in se posledično lahko med rezanjem sprimejo na rezilo ali premaknejo.

**j) Pred uporabo poskrbite, da je zajeralna žaga nameščena ali postavljena na ravni, stabilni delovni površini.** Ravna in stabilna delovna površina zmanjšuje tveganje, da zajeralna žaga postane nestabilna.

**k) Načrtujte svoje delo. Vsakič, ko spremenite nastavitve naklona in kota zajeralne žage, poskrbite, da je nastavljava ograja pravilno nastavljena za podporo obdelovanca in ne bo ovirala rezila ali varovalnega sistema.** Ne da vklopite orodje in brez nobenega obdelovanca na mizi premaknite žagin list skozi celoten simulirani rez, da se prepričate, da ne pride do interference ali nevarnosti, da bi prerezali ograjo.

**l) Za obdelovanca, ki je večji ali daljši od plošče mize, zagotovite ustrezno podporo, kot je podaljšek za mizo, koza za žaganje, itd.** Obdelovanci, ki so daljši ali širši od mize zajeralne žage se lahko prevrnejo, če niso varno podprti. Če se odrezani kos ali obdelovanec prevrne, lahko dvigne spodnji ščitnik ali pa je izvržen s strani vrtečega se rezila.

**m) Ne uporabljajte druge osebe kot nadomestilo za razširitev mize ali kot dodatno podporo.** Nestabilna podpora obdelovanca lahko povzroči, da se rezilo zagodzi ali pa se obdelovanec med rezanjem premakne ter povleče vas in pomočnika v vrteče se rezilo.

**n) Odrezani kos ne sme bit zagoden ali stisnjen s kakršnikoli sredstvi ob vrtečo se žago.** Če je omejen, npr. s pomočjo dolžinskega prislona, se odrezani kos lahko zagodzi med rezilo in je silovito izvržen.

**o) Vedno uporabljajte premež ali opremo zasnovano za ustrezno podporo okroglih materialov, kot so palice in cevi.** Med rezanjem so palice nagnjene k obračanju, kar povzroči, da rezilo "ugrizne" in potegne obdelovanca skupaj z vašo roko v rezilo.

**p) Preden se rezilo dotakne obdelovanca mora doseči polno hitrost.** To bo zmanjšalo tveganje za izvrženje obdelovanca.

**q) Če se obdelovanec ali rezilo zagodzi, ugasnite zajeralno žago. Počakajte, da se vsi gibljivi deli ustavijo in iztaknite vtič iz vira napajanja in/ali odstranite baterijski sklop. Potem odstranite zagodeni material.** Nadaljevanje žaganja z zagodzanim obdelovancem lahko povzroči izgubo nadzora ali škodo na zajeralni žagi.

**r) Po končanem rezanju spustite stikalo, držite glavo žage navzdol in počakajte, da se rezilo ustavi preden odstranite odrezani kos.** Iztegotvanje roke proti rezilu v prostem teku je nevarno.

**s) Pri izvajanju nepopolnega reza ali ob sprostitvi stikala preden je glava žage v popolnoma spodnjem položaju, trdno držite ročico.** Zavorno delovanje žage lahko povzroči nenaden poteg glave žage navzdol, kar povzroči možnost telesne poškodbe.

#### REZILLO ZA LES SPECIALNI VARNOSTNI NAPOTKI

Pred uporabo žaginega lista in stroja pozorno preberite priročnik in navodila.

Stroj mora biti v dobrem stanju, os brez deformacij in vibracij. Žage ne uporabljajte, če varovala niso v pravilnem položaju, dobrem stanju in ustrezno vzdrževana.

Poskrbite, da je upravljavec ustrezno usposobljen za varnostne ukrepe, namestitve in delovanje stroja.

Pri uporabi stroja vedno nosite zaščitna očala in zaščito za ušesa. Priporočljiva je uporaba rokavic, vzdržljivih nedrsečih čevljev in predpasnika.

Pred uporabo kakršne koli dodatne opreme, preberite priročnik z navodili. Nepravilna uporaba dodatne opreme lahko povzroči škodo in poveča možnosti za poškodbe.

Uporabljajte le rezila, ki so določena v tem priročniku in so v skladu z EN 847-1.

Upošteвайте največjo hitrost, označeno na žaginem listu.

Prepričajte se, da je hitrost, označena na žaginem listu enaka ali večja hitrosti označeni na žagi.

Vedno uporabljajte žagine liste pravilne velikosti, ki se prilagodijo obliki prijemalne prirobnice. Žagini listi, ki se ne ujemajo z montažnimi deli žage, se vrtijo neenakomerno in povzročijo izgubo nadzora nad napravo.

Ne uporabljajte rezil s premerom večjim ali manjšim od priporočenega. Za nameščanje rezila na os ne uporabljajte distančnikov.

Pred usako uporabo, preverite konice žaginega lista, da niso poškodovane ali nenormalnega videza. Konice, ki so poškodovane ali ohlapne lahko med uporabo postanejo leteči predmetu in povečajo možnost telesnih poškodb.

Napokani listi žage in taki, ki so spremenili svojo obliko, se ne smejo uporabljati! Ne uporabljajte žaginih listov, ki so poškodovani ali deformirani.

Zavržite žagin list, ki je poškodovan, deformiran, izkrivljen ali razpokan. Popravilo ni dovoljeno.

Ne uporabljajte žaginih listov izdelanih iz hitroreznega jekla.

Pred uporabo se prepričajte, da je žagin list pravilno nameščen in privijte matico osi (navor zategovanja pribl. 12 Nm).

Pritrdilni vijak in matice morajo biti priviti z uporabo ustreznega ključa, itd.

Podaljšanje ključa ali zategovanje z uporabo kladiva ni dovoljeno.

Prepričajte se, da so vsa rezila in prirobnice čisti ter da so utori prirobnice usmerjeni proti rezilu.

Prepričajte se, da se rezilo vrti v pravi smeri.

Pred delom izvedite navidezni rez z izklopljenim motorjem, tako da lahko preverite položaj rezila, delovanje varoval v povezavi z drugimi strojnimi deli in obdelovanca.

Nikoli ne pustite stroja brez nadzora.

Na rezilo ne nanašajte maziva, ko je le-to v teku.

Če je stroj še vedno v teku in če glava ni v položaju mirovanja, ne izvajajte kakršnegakoli čiščenja ali vzdrževalnih del.



Nikoli ne poskušajte stroja med delovanjem ustaviti na hitro tako, da rezilo blokirate z drugim pripomočkom ali sredstvom, saj lahko pride do hudih nesreč.

Pred zamenjavo rezila ali postopki vzdrževanja, žago odklopite iz električnega omrežja ali odstranite baterijo.

Bodite pozorni ob pakiranju in razpakiranju rezila, saj se zaradi ostrih konic rezila lahko hitro poškodujete.

Pri rokovanju z rezilom uporabite držalo ali nosite rokavice.

Rezilo hranite v originalni embalaži ali drugi ustrezni embalaži, v suhem prostoru in stran od kemikalij, ki lahko poškodujejo rezilo.

## NADALJNA VARNOSTNA IN DELOVNA OPOZORILA

Obdelovanca vedno varno in zanesljivo vpnite.

Zagotovite, da bo stroj zmeraj stal varno (npr. pritrđitev na pult)..

Nosite zaščito za sluh. Hrup lahko povzroči izgubo sluha.

Pri delu s strojem vedno nosite zaščitna očala. Pri rokovanju z rezilom ali grobim materialom nosite rokavice in vzdržljive nedrseče čevlje za zaščito stopal pred obdelovanci, ki lahko padejo iz območja rezanja.

Pred nastavljanjem, mazanjem ali kakršnimkoli vzdrževanjem naprave vedno preverite, ali je električni vtič izvlačen iz električnega omrežja.

Stroj priklopite na vtičnico samo v izklopljenem stanju.

Nikoli ne segajte v območje v bližini rezila, razen če je rezilo popolnoma ustavljeno.

Pred uporabo temeljito preglejte orodje za kakršnokoli škodo ali utrujenost materiala. Poškodovane dele damo v popravilo zgolj strokovnjaku.

Brezpogojno uporabljajte zaščitne priprave stroja. Če varovala niso na mestu in ne delujejo pravilno, stroja ne uporabljajte.

Spodnje varovalo noža se mora odpreti samo, ko je rezilo spuščeno na obdelovanec ter se mora vedno prosto premikati in se samodejno zapirati..

Med delovanjem vedno pritrđite in uporabite držala za podaljševalno vodilo za podporo obdelovanca.

Nikoli ne spreminjati ali predelovati žage ali njene funkcije. Vaša varnost je lahko ogrožena.

Ne uporabljajte žaginih listov, ki so razpokani, poškodovani ali deformirani.

Ne uporabljajte žaginih listov izdelanih iz hitroreznega jekla.

Uporabljajte samo ostre žagine liste. Topa rezila zamenjajte z novimi.

Vedno uporabljajte žagine liste pravilne velikosti, ki se prilagajajo obliki prijemalne prirobnice.

Žagini listi, ki se ne ujemajo z montažnimi deli žage, se vrtijo neenakomerno in povzročijo izgubo nadzora nad napravo.

Uporabljajte le rezila, ki so določena v teh navodilih in so v skladu z EN 847-1.

Za pritrđitev žaginega lista ne uporabljajte prirobnic, podložkov in matic, ki niso priložene ali navedene v priročniku za uporabo.

Izberite rezanemu materialu ustrezen žagin list. Izdelka ne uporabljajte za rezanje materialov, ki niso navedeni v relevantnem odstavku tega priročnika.

Podembno je prepričati pregrevanje rezila in taljenje plastičnega obdelovanca med rezanjem.

Ravnati se je potrebno glede na največjo dovoljeno število vrtljajev navedeno na žaginem listu. uporabljajte samo žagin list, ki je

označen s hitrostjo, ki je enaka ali višja od hitrosti, označene na orodju.

Če jeezni vstavki obrabljeni ali poškodovani, ga zamenjajte.

Pred delom, z izklopljenim motorjem izvedite simulirani rez, tako da lahko preverite položaj rezila, delovanje varoval v povezavi z drugimi strojnimi deli in namestitve obdelovanca.

Med izvajanjem zajeralnih, stožastih ali sestavljenih zajeralnih rezov, nastavite drsno ograjo, da zagotovite ustrezno razdaljo od rezila.

Pri transportu izdelka mora biti nosilec vedno nameščen.

Tla ohranjajte ostankov materiala npr. odrezkov in ostankov žaganja prosta.

Kadar stroj obratuje in kadar glava žage ni v stanju mirovanja, iz območja žaganja ne odstranjujte nobenih ostankov žaganja ali drugih delov obdelovanca.

Dolge obdelovance je potrebno podpreti. Delovno območje žage vključuje celoten obseg obdelovanca. Upravljevec mora to območje zavarovati pred nenamernim dotikom drugih oseb ali predmetov, ki lahko med delovanjem premikajo obdelovanec.

Prah, ki nastaja pri delu, je pogosto zdravju škodljiv in naj ne zaide v telo. Uporabljajte odsesavanje prahu in dodatno nosite primerno masko za zaščito proti prahu. Prah, ki se usede, temeljito očistite, npr. posejajte.

LED diod ali laserja ne zamenjajte z drugo vrsto. Popravila lahko izvede samo proizvajalec ali pooblašeni serviser.

Tokovna konica povzroči fluktuacije napetosti in lahko vpliva na druge električne izdelke na istem električnem vodu. Izdelek priključite na napajanje z impedanco 0,3 Ω, da čim bolj zmanjšate napetostna nihanja. Za nadaljnja pojasnila se obrnite na svojega dobavitelja električne energije.

## SPECIALNI VARNOSTNI NAPOTKI LASER

Lasersko sevanje, uporabljeno pri tej žagi je Razreda II z največ  $P \leq 1mW$  in  $\lambda: 650nm$  valovne dolžine. Z optičnimi instrumenti ne glejte direktno. Neupoštevanje pravil lahko povzroči hude telesne poškodbe.

Med delovanjem ne glejte v žarek.

Laserskega žarka ne usmerjajte neposredno v oči drugih. Lahko povzroči resne poškodbe oči.

Laserja ne postavljajte v položaju, ki lahko povzroči, da kdorkoli gleda v laserski žarek namerno ali nenamerno.

Za gledanje laserskega žarka ne uporabljajte optičnih orodij.

Laserja ne uporabljajte v prisotnosti otrok in le-tem ne dovolite upravljanja z laserjem.

Ne poskušajte sami popravljati laserske naprave.

Ne poskušajte sami zamenjati delov laserske naprave.

Popravila lahko izvede samo proizvajalec ali pooblašeni serviser.

Laserskega žarka ne usmerjajte na osebe ali živali in sami ne glejte v laserski žarek.

## UPORABA V SKLADU Z NAMEDBOSTJO

Potezna krožna žaga je namenjena žaganju trdnega in lepljenega lesa z ali brez lepljenim furnirjem, plastiko in materialom, podobnim lesu.

Potezno krožno žago lahko uporabljajo le odrasle osebe, ki so prebrale priročnik za uporabo in razumejo tveganja in nevarnosti.

Potezna krožna žaga mora biti pritrđena na zgornjo ploskev trdne klopi. Če baza ni dobro pritrđena, se lahko celoten stroj med rezanjem premakne, kar povečuje možnost hudih telesnih poškodb.

Potezna krožna žaga je zasnovana za poševne in zajeralne reze. Zmogljivosti za različne vrste rezov so podane v specifikacijah proizvodov v tem priročniku.

Potezna krožna žaga se uporablja v suhih pogojih, pri odlični osvetlitvi prostora in ob ustreznem prezračevanju.

Potezna krožna žaga je namenjena za potrošniško uporabo in jo je treba uporabljati le kot je opisano zgoraj ter ni predvidena za noben drug namen.

## PREOSTALE NEVARNOSTI

Tudi pri uporabi potezne krožne žage, kot je predpisano, je še vedno nemogoče popolnoma odpraviti nekatere preostale dejavnike tveganja. Pojavijo se lahko naslednje nevarnosti in upravljavec mora biti posebej pozoren, da se prepreči naslednje:

- Tveganje stika z nepokritimi deli vrtečega se žaginega lista.
- Odkok obdelovancev ali delov obdelovancev zaradi nepravilne namestitve ali ravnanja.
- Izvrženje okvarjenih karbidovih konic iz žaginega lista.
- Poškodbe dihal.

**NAPOTEK:** Nosite maske za zaščito dihal, ki vsebujejo filtre, primerne za material, ki ga obdelujete.

Poskrbite za zadostno prezračevanje na delovnem mestu. V delovnem območju ne jesti, piti in ne kaditi.

Ob ne uporabi učinkovite zaščite so možne poškodbe sluha.

## OPOZORILO

Prah nekaterih barv, premazov in materialov lahko povzroči draženje ali alergijske reakcije dihal. Prah lesa, kot so hrast, bukev, vlaknene plošče srednje gostote in drugih, je rakotvoren. Materiale, ki vsebujejo azbest, lahko obdelujejo ali predelujejo samo usposobljeni specializirani izvajalci.

## OPOZORILO

Če uporabljate orodje dlje časa, lahko pride do telesnih poškodb ali pa se te poslabšajo. Če uporabljate katero koli orodje dlje časa, poskrbite za redne premore.

## SPOZNAJTE SVOJ IZDELEK

Glejte stran A.

- |  |   |
|--|---|
| 1. Ročaj, izolirana prijemna površina                  | 16. Drsnovo varovalo                      |
| 2. Stikalo za vklop                                    | 17. Nosilec obdelovanca                   |
| 3. Varnostna ročica za zaklepanje                      | 18. Podaljševalno vodilo                  |
| 4. Zunanja prirobnica                                  | 19. Pritrdilne luknje x4                  |
| 5. Rezilo žage   | 20. Vrtljiva plošča                       |
| 6. Spodnje varovalo                                    | 21. Skala za zajeralne reze               |
| 7. Fiksirano varovalo                                  | 22. Nastavitveni vijak za 45° poševni kot |
| 8. Rezalna plošča                                      | 23. Nastavitveni vijak za 90° poševni kot |
| 9. Ročica za zaklepanje vrtljive plošče                | 24. Stikalo za lučko LED                  |
| 10. Zgornji ročaj                                      | 25. Stikalo za laser                      |
| 11. Zgornje varovalo                                   | 26. Gumb za blokado vretena               |
| 12. Drča za prah                                       | 27. Plošča za nastavitev globine reza     |
| 13. Gumb za zaustavitev linearne palice                | 28. Gumb za nastavitev globine reza       |
| 14. Objemka  |   |
| 15. Kotna varnostna ročica za navpično poševno rezanje |   |

## SEZNAM NADOMESTNIH DELOV

- PS 216 L: Potezna žaga EN 847-1/  $\varnothing 216 \times \varnothing 30 \times 2,4 / 48T / HW / n$  maks. 7000 min<sup>-1</sup> (Stran A: No. 5)
- PS 254 L: Potezna žaga EN 847-1/  $\varnothing 254 \times \varnothing 30 \times 2,6 / 48T / HW / n$  maks. 7400 min<sup>-1</sup> (Stran A: No. 5)
- KRezalna plošča (Stran A: No. 8)

## OMREŽNI PRIKLJUČEK

Priključite samo na enofazni izmenični tok in samo na omrežno napetost, ki je označena na tipski ploščici. Priključitev je možna tudi na vtičnice brez zaščitnega kontakta, ker obstaja nadgradnja zaščitnega razreda.

Vtičnice v zunanjem področju morajo biti opremljene z zaščitnimi stikalami za okvorni tok (FI, RCD, PRCD). To zahteva instalacijski predpis za vašo električno napravo. Prosimo, da to pri uporabi naše naprave upoštevate.

Stroj priklopite na vtičnico samo v izklopljenem stanju.

vedno pazite, da se priključni kabel ne približa področju delovanja stroja. Kabel vedno vodite za strojem.

Pred vsako uporabo kontrolirajte napravo, priključni kabel, AkkuPack, kabel za podaljšek in vtičač glede poškodb in obrabe. Poskrbite, da poškodovane dele popravilno izključno strokovnjak.

Tokovna konica povzroči fluktuacije napetosti in lahko vpliva na druge električne izdelke na istem električnem vodu. Izdelek priključite na napajanje z impedanco 0,3  $\Omega$ , da čim bolj zmanjšate napetostna nihanja.

Za nadaljnja pojasnila se obrnite na svojega dobavitelja električne energije.

## VZDRŽEVANJE

Ne spreminjajte te žage na kakršen koli način in ne uporabljajte opreme, ki je proizvajalec ni odobril. Ogrožena je lahko vaša varnost in varnost drugih.

Ne uporabljajte žage, če katero od stikal, varoval ali drugih funkcij žage ne deluje, kot je predvideno. Vrnite na pooblaščen servisni center za strokovno popravilo ali nastavitev.

Medtem ko je žagin list v gibanju, ne izvajajte nobenih nastavitvev.

Pred nastavljanjem, mazanjem ali kakršnimkoli vzdrževanjem naprave vedno preverite, ali je električni vtič izvlečen iz električnega omrežja.

Pred in po vsaki uporabi preglejte žago, da ni poškodovana in da ni zlomljenih delov ter jo ohranjajte v brezhibnem stanju, tako da delo zamenjate z rezervnimi deli, odobrenimi s strani proizvajalca.

Rezilo je po uporabi zelo vroče, zato nosite rokavice in pustite, da se ohladi, preden prične s postopki vzdrževanja ali čiščenja.

S krtačo ali sesalnikom očistite nakopičen prah. Ne uporabljajte stisnjene zraka.

Za zagotavljanje varnosti in zanesljivosti mora vsa popravila, vključno z zamenjavo krtač, opraviti pooblaščen servisni center.

Napravo in zaščitno pripravo čistite s suho krpo.

Pazite na to, da so prezračevalne reže stroja vedno čiste.

Če je potrebna zamenjava napajalnega kabla, mora to storiti proizvajalec ali njegov zastopnik, da bi se izognili nevarnosti za varnost.

Uporabljajte samo AEG pribor in nadomestne dele. Poskrbite, da sestavne dele, katerih zamenjava ni opisana, zamenjajo v AEG servisni službi (upoštevajte brošuro Garancija/Naslovi servisnih služb).

Po potrebi se lahko pri vaši servisni službi ali direktno pri Technronic Industries GmbH naroči eksplozijska risba naprave ob navedbi tipa stroja in številke s tipske ploščice Technronic Industries GmbH, Max-Eyth-Straße 10, 71364 Winnenden, Germany.



## CE-IZJAVA O KONFORMNOSTI

S polno odgovornostjo izjavljamo, da izdelek, opisan pod „Tehnični podatki“ izpolnjuje vse ustrezne določbe direktiv

2011/65/EU (RoHS)

2006/42/ES

2014/30/EU

ter da so bili uporabljeni naslednji harmonizirani standardi

EN 62841-1:2015

EN 62841-3-9:2015+A11:2017

EN 55014-1:2017

EN 55014-2:2015

EN 61000-3-2:2014

EN 61000-3-11:2000

EN IEC 63000:2018



Winnenden, 2019-03-08



Alexander Krug / Managing Director  
Pooblaščen za izdelavo spisov tehnične dokumentacije.

Techtronic Industries GmbH  
Max-Eyth-Straße 10, 71364 Winnenden, Germany

## SIMBOLI



POZOR! OPOZORILO! NEVARNO!



Pred vsemi deli na stroju izvlcite vtikač iz vtičnice.



OPOZORILO-Za zmanjšanje tveganj telesnih poškodb mora uporabnik prebrati navodila za uporabo!



Pri delu s strojem vedno nosite zaščitna očala.



Nosite zaščito za sluh!



Nositi zaščitne rokavice



Nikdar ne dajajte rok v območje žaginega lista.



Naprava je primerna samo za uporabo v prostorih, naprave ne izpostavljajte dežju.



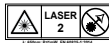
Drča za prah priključak za povezivanje



Žagajte samo les.



Ne glejte v laserski žarek.



Proizvod ustreza 2. razredu laserja ustrezno EN 60825-1:2014.



List žage  $\varnothing$  x vrtni  $\varnothing$



Smer vrtenja



Zobi žaginega lista



Širina reza

$n_0$

Število vrtljajev v prostem teku

V

Napetost



Izmenični tok



Električno orodje zaščitnega razreda II. Električno orodje, pri katerem zaščita pred električnim udarom ni odvisna zgolj od osnovne izolacije, temveč tudi od tega, da so uporabljeni dodatni ukrepi, kot dvojna ali okrepljena izolacija.



Ni priprave za priključek zaščitnega vodnika. Električnih naprav ni dovoljeno odstranjevati skupaj z gospodinjstskimi odpadki. Električne in elektronske naprave je potrebno zbirati ločeno in za okolju prijazno odstranitev, oddati podjetju za reciklažo. Pri krajevnem uradu ali vašem strokovnem prodajalcu se pozanimajte glede reciklažnih dvorišč in zbirnih mest.



Evropska oznaka za združljivost



Ukrajinska oznaka za združljivost



Evrazijska oznaka za združljivost

Slovensko

TEHNIČKI PODACI	PS 216 L	PS 254 L
<b>Vlačna pila za obrezivanje i iskošavanje *</b>		
Broj proizvodnje	4699 98 01 ... ... 000001-999999	4699 99 01 ... 4740 22 01 ... ... 000001-999999
Snaga nominalnog prijema	220-240 V, 50 HZ, 1400W, 6,5 A	220-240 V, 50 HZ, 1800W, 8,7 A
Broj okretaja praznog hoda	5000 min <sup>-1</sup>	4500 min <sup>-1</sup>
List pile- $\emptyset$ x Bušenje- $\emptyset$	216 x 30 mm	254 x 30 mm
Debljina lista max.	1,6 mm	1,8 mm
Debljina zuba pile min.	2,4 mm	2,6 mm
Učinak rezanja max. Kut kosog rezanja horizontalni 0° / Kut kosog rezanja vertikalni 0° Kut kosog rezanja horizontalni 45° / Kut kosog rezanja vertikalni 0° Kut kosog rezanja horizontalni 0° / Kut kosog rezanja vertikalni 45° Kut kosog rezanja horizontalni 45° / Kut kosog rezanja vertikalni 45°	65 x 305 mm 65 x 215 mm 36 x 305 mm 36 x 215 mm	90 x 305 mm 90 x 215 mm 50 x 305 mm 50x 215 mm
Težina po EPTA-proceduri 01/2014	16,7 kg	19,6 kg
<b>Informacije o buci</b> Mjerne vrijednosti utvrđene odgovarajuće EN 62841. A-ocijenjeni nivo buke aparata iznosi tipično:		
Nivo pritiska zvuka (Nesigurnost K=3dB(A))	99,27 dB (A)	95,15 dB (A)
Nivo učinka zvuka (Nesigurnost K=3dB(A))	112,27 dB (A)	108,15 dB (A)
<b>Nositi zaštitu sluha!</b>		

\*PS  $\triangleq$  Vlačna pila za obrezivanje i iskošavanje

## UPOZORENIE!

Navedene vrijednosti emisije buke izmjerene su u skladu sa standardnom ispitnom metodom prema EN 62841-1 i EN 62841-3-9 i mogu se upotrebljavati za međusobnu usporedbu alata. Navedene vrijednosti emisije buke također se mogu upotrebljavati za prethodnu procjenu izloženosti.

Emisija buke tijekom stvarne upotrebe električnog alata može se razlikovati od navedenih vrijednosti ovisno o načinu na koji se alat upotrebljava, a posebno o vrsti obratka koji se obrađuje.

Utvrđite sigurnosne mjere za zaštitu rukovatelja koje se temelje na procjeni opterećenja u stvarnim uvjetima upotrebe (uzimajući u obzir sve dijelove radnog ciklusa kao što su razdoblja kada je alat isključen i kada je njegova sklopka za uključivanje uključena, no radi bez opterećenja).

Nosite zaštitu za sluh. Djelovanje buke može uzrokovati gubitak sluha.

**⚠ UPOZORENIE** Pročitajte sve sigurnosne upute, napomene, prikaze i podatke koje dobijete uz uređaj. Ako se ne bi pridržavali slijedećih uputa, moglo bi doći do električnog udara, požara i/ili teških ozljeda.

**Sačuvajte sve napomene o sigurnosti i upute za buduću primjenu.**

### ⚠ SIGURNOSNE UPUTE ZA PILE ZA KOSO REZANJE

**a) Pile za koso rezanje namijenjene su za rezanje drva ili drvenih proizvoda. Ne mogu se koristiti s brusnim reznim pločama za rezanje željeznih materijala poput poluga, šipki, prečki itd.** Abrazivna prašina uzrokuje blokadu pokretnih dijelova kao što je donji štitnik. Iskre koje nastaju zbog rezanja abrazivnih materijala spalit će donji štitnik, ureznu ploču i ostale plastične dijelove.

**b) Kad god je moguće, koristite stezaljke da biste podupri radni komad. Ako rukom podupirete radni komad, morate uvijek držati razmak od barem 100 mm od lista pile s obje strane. Ne koristite ovu pilu za rezanje komada koji su premali da bi se sigurno pričvrstili ili držali u ruci. Ako je ruka preblizu listu pile, postoji povećan rizik nastanka ozljede zbog kontakta s oštrocim.**

**c) Radni komad mora biti stacionaran i pričvršćen ili se mora nalaziti između ograde i stola. Ni u kojem slučaju ne stavljajte radni komad u list pile niti ne režite napamet. Predmeti koji nisu pričvršćeni ili koji se miču mogu se odbaciti velikim brzinama te uzrokovati ozljedu.**

**d) Pilu gurajte kroz radni komad. Ne vucite je. Da biste napravili rez, podignite glavu pile i povucite je iznad radnog komada bez rezanja, pokrenite motor, pritisnite glavu pile prema dolje i gurnite pilu kroz radni komad. Kada biste rezali uz povlačenje, list pile mogao bi se podići iznad radnog komada i naglo odbaciti pilu prema korisniku.**



Hrv

e) **Nikada nemojte prekriziti ruke tako da jedna prijeđe preko namijenjene linije rezanja ispred ili iza lista pile.** Vrlo je opasno poduprijeti pilu s prekrizanim rukama npr. držati radni komad s desne strane lista pile lijevom rukom ili obrnuto.

f) **Nemojte rukama posezati iza ograde na udaljenosti manjoj od 100 mm s bilo koje strane pile kako biste uklonili ostatke drva ili zbog bilo kojeg drugog razloga dok god se oštrica vrti.** Udaljenost između lista pile koji se vrti i vaše ruke može biti drugačija nego što vam se čini te se možete ozbiljno ozlijediti.

g) **Provjerite radni komad prije rezanja. Ako je savijen ili deformiran, pričvrstite ga tako da savijeni dio bude okrenut prema ogradi. Uvijek budite sigurni u to da nema razmaka između radnog komada, ograde i stola uzduž linije reza.** Savinuti ili deformirani radni komadi mogu se okrenuti ili pomaknuti i to može uzrokovati blokadu lista pile koji se okreće tijekom rezanja. U radnom komadu ne smiju biti čavli ili strani predmeti.

h) **Koristite pilu kad se na stolu nalazi samo radni komad te kad na njemu nema alata, ostataka drva itd.** Male krotine ili slobodni komadi drva ili ostali predmeti koji dodiruju list pile koji se okreće mogu se odbaciti velikom brzinom.

i) **Radne komade rezite jedan po jedan.** Više radnih komada poredanih jedan za drugim ne mogu se adekvatno pričvrstiti ili pritegnuti te mogu blokirati list pile ili se pomaknuti tijekom rezanja.

j) **Pobrnite se za to da pilu za koso rezanje prije uporabe postavite ili smjestite na ravnu, čvrstu radnu površinu.** Takva radna površina smanjuje rizik nestabilnosti pile.

k) **Isplanjajte svoj rad. Svaki put kada promijenite postavku kuta kosine ili kuta pile pobrnite se da podesiva ograda bude pravilno postavljena tako da podupire radni komad i da sukladno ne smeta oštrici ili zaštitnom sustavu.** Kada uključite uređaj i kad nema radnog komada na stolu, pomičite list pile kroz cijelu dužinu da biste simularili rez te da biste se uvjerali da neće biti smetnji ili opasnosti od rezanja ograde.

l) **Osigurajte adekvatnu potporu za radni komad koji je širi ili duži od stola kao što su produžeci stola, postolja pile itd.** Radni komadi koji su duži ili širi od stola pile za koso rezanje mogu se prevrnuti ako nisu dobro poduprti. Ako se odrezani dio ili radni komad prevrne, može podići donji štitnik ili ga list pile koji se okreće može odbaciti.

m) **Ne koristite drugu osobu kao zamjenu za produžetak stola ili kao dodatnu potporu.** Nestabilna potpora radnog komada može dovesti do blokade lista pile ili pomicanja radnog komada tijekom rezanja te može povući vas i vašeg pomoćnika prema listu pile koji se okreće.

n) **Odrezani dio ne smije se nikako zaglaviti ili pritisnuti o list pile koji se okreće.** U slučaju ograničenog prostora, npr. korištenjem graničnika dužine, odrezani komad može se uklještitu s listom pile i biti naglo odbačen.

o) **Uvijek koristite stezaljke ili predmet za fiksiranje kako biste pravilno poduprli okrugle materijale kao što su šipke i cijevi.** Šipke se mogu kotrljati prilikom rezanja što može dovesti do toga da pila „zagriže“ predmet i povuče vašu ruku prema oštrici.

p) **Pustite da list pile dosegne punu brzinu prije nego što dodirne radni komad.** To će smanjiti opasnost od odbacivanja radnog komada.

q) **Ako se radni komad ili oštrica zaglave, isključite pilu za koso rezanje. Pričekajte da se svi pokretni dijelovi zaustave i izvadite utičnicu iz izvora napajanja i/ili uklonite baterije.** Tek tada možete ukloniti zaglavljene materijal. Kontinuirano piljenje sa zaglavljenim radnim komadom može dovesti do gubitka kontrole ili oštetiti pilu.

r) **Kad je rez završen, pustite prekiđač, držite glavu pile prema dolje i pričekajte da se oštrica zaustavi prije nego što uklonite odrezani komad.** Posezanje rukom blizu lista pile koji se spušta je opasno.

s) **Držite ručku čvrsto kada je rez nedovršen ili kada puštate prekiđač prije nego što je glava pila potpuno u donjem položaju.** Zaustavljanje pile može dovesti do toga da se glava pile naglo pomakne prema dolje što može uzrokovati ozljedu.

## OŠTRICA ZA REZANJE DRVETA SPECIJALNE SIGURNOSNE UPUTE

Prije uporabe oštrice pile i stroja pažljivo pročitajte upute i napomene.

Stroj mora biti u dobrom stanju, a vreteno bez deformacija i ne smije vibrirati.

Pilu koristite samo ako su štitnici na svom mjestu, a oni trebaju biti tehnički ispravni i propisno održavani.

Osigurajte da je rukovatelj propisno obučan za sigurnosne mjere predostrožnosti, namještanje i rad stroja.

Uvijek nosite naočale i zaštitu za sluh dok koristite stroj. Preporučuje se nošenje rukavica, čvrste, neklizave obuće i pregače.

Provjerite u uputama za uporabu prije nego što počnete koristiti neki pribor. Uporaba neprikladnog pribora može prouzročiti štete i povećati opasnost od ozljeda.

Koristite samo oštrice navedene u ovim uputama koje ispunjavaju normu EN 847-1.

Obratite pozornost na maksimalnu brzinu označenu na oštrici pile. Osigurajte da je brzina označena na oštrici pile barem jednaka brzini označenoj na pili.

Koristite uvijek listove pile odgovarajuće veličine i odgovarajućeg steznog otvora. Listovi pile koji ne odgovaraju montažnim dijelovima pile, okretat će se neokruglo i mogu dovesti do gubitka kontrole nad pilom.

Ne koristite oštrice većeg ili manjeg promjera od preporučenog. Za stavljanje oštrice na vreteno ne koristite odstojinke

Prije svake uporabe provjerite jesu vrhovi oštrice pile oštećeni i izgledaju li neobično. Oštećeni ili labavi vrhovi tijekom uporabe mogu letjeti uokolo i povećati mogućnost tjelesne ozljede.

Listovi pile sa pukotinama, koji su promijenili oblik, se ne smiju upotrebljavati! Listove pile koji su oštećeni ili deformirani ne koristiti

Oštricu pile koja je oštećena, izobličena, iskrivljena ili napuknuta potrebno je baciti. Zabranjen je njezin popravak.

Ne upotrebljavati listove pile izrađene od brzoreznog čelika

Osigurajte da je oštrica pile ispravno pričvršćena, čvrsto stegnite maticu vretena (pritezni moment približno 12 Nm).

Pritezne vijke i matice treba zategnuti prikladnim ključem i sl.

Nije dopuštena uporaba ključa s nastavkom ili stezanje udarcima čekićem.

Oštrice i pribornice trebaju biti čiste, a udubljene stranice ležaja trebaju biti uz oštricu.

Oštrice se trebaju okretati u pravom smjeru.





Prije rada napravite probni rez bez uključenog motora kako biste provjerili položaj oštrice, rad štitnika u odnosu na druge dijelove stroja i obradak.

Ne ostavljajte stroj bez nadzora.

Ne koristite maziva na oštricama dok one rade.

Ne čistite i ne održavajte stroj koji radi i ako glava nije u položaju mirovanja.

Ne pokušavajte brzo zaustaviti stroj koji radi stavljanjem alata ili drugog sredstva uz oštricu jer se tako mogu prouzročiti ozbiljne ozljede.

Prije mijenjanja oštrice ili održavanja odspojite pilu od mrežnog napajanja ili izvadite baterijski sklop.

Obratite pozornost na pakiranje i raspakiranje oštrice jer se možete lako ozlijediti oštrim vrhovima oštrice.

Prilikom rukovanja oštricom pile koristite držač oštrice ili nosite rukavice.

Spremite i čuvajte oštrice u originalnom pakiranju ili drugoj prikladnoj ambalaži. Čuvajte ih na suhom mjestu i podalje od kemikalija koje mogu oštetiti oštrice.

## OSTALE SIGURNOSNE I RADNE UPUTE

Obradak uvijek stežite sigurno.

Utvrđiti da stroj uvijek ima sigurnu poziciju stajanja (npr. pričvršćenje na radioničkom stolu)..

Nosite zaštitu za sluh. Djelovanje buke može uzrokovati gubitak sluha.

Kod radova sa strojem uvijek nositi zaštitne naočale. Za rukovanje oštricama i grubim materijalima preporučuje se nošenje rukavica te se preporučuje nošenje čvrste, neklizave obuće koja štiti noge od obradaka koji mogu pasti s rezne površine.

Prije namještanja, podmazivanja ili održavanja proizvoda uvijek provjerite je li strujni utikač odspojen od strujnog izvora.

Samo isključeni stroj priključiti na utičnicu.

Ne dirajte područje u blizini oštrice, osim ako se oštrica nije potpuno zaustavila.

Prije uporabe alata provjerite je li oštećen ili je li materijal istrošen. Oštećene dijelove dati popraviti jednom stručnjaku.

Bezuvjetno upotrijebiti zaštitnu napravu stroja. Ne koristite stroj ako štitnici nisu na svom mjestu i ne rade ispravno.

Donja zaštitna lista pile treba se otvoriti samo kada se pila spusti na obradak te se uvijek mora moći slobodno kretati i automatski zatvarati..

Uvijek fiksirajte i koristite se držačima za produžnu vodilicu u svrhu pridržavanja obratka tijekom rada.

Ne radite preinake na pili i ne prepravljajte ju ili ne mijenjajte njezinu funkciju. Možete ugroziti svoju sigurnost.

Ne koristite oštrice pile koje su napuknute, oštećene ili izobličene.

Ne upotrebljavati listove pile izrađene od brzoreznog čelika

Koristite samo oštre oštrice pile. Zamijenite tupe oštrice novima.

Koristite uvijek listove pile odgovarajuće veličine i odgovarajućeg steznog otvora.

Listovi pile koji ne odgovaraju montažnim dijelovima pile, okretat će se neokruglo i mogu dovesti do gubitka kontrole nad pilom.

Koristite samo oštrice za obradu drveta navedene u ovim uputama koje ispunjavaju normu EN 847-1.

Ne koristite druge prirubnice, podloške i matice za osiguranje oštrica pile osim isporučениh ili navedenih u uputama za uporabu.

Izabrati list za pilu koji je prikladan za materijal koji se reže. Nikada se nemojte koristiti drugim proizvodima za rezanje materijala osim onim navedenim u odjeljku o namjenskoj uporabi u ovim uputama.

Važno je izbjeći pregrijavanje oštrice i taljenje plastičnog obratka tijekom sjecanja.

Pridržavati se najvećeg broja okretaja koji je naveden na listu pile. Koristite se samo listovima pile koji sadrže oznaku za brzinu jednaku ili veću od brzine navedene na alatu.

Zamijenite stolni umetak ako je istrošen ili oštećen.

Prije rada napravite probni rez bez uključenog motora kako biste provjerili položaj oštrice, rad štitnika u odnosu na druge dijelove stroja i obradak.

Kod izvođenja kutnih, rubno kutnih ili složenih kutnih rezova, namjestite klizni vodič kuta obrade da biste osigurali odgovarajući razmak od oštrice.

Aktivacijska blokada uvijek mora biti aktivirana tijekom transporta proizvoda.

Tlo osloboditi od ostataka materijala, kao piljevine i ostataka od piljenja

Kada stroj radi, a glava pile nije u stanju mirovanja, nemojte sa područja piljenja odstranjivati ostatke piljenja ili druge dijelove izradaka.

Materijali velike dužine koji se obrađuju, se moraju prikladno poduprijeti. Radno područje pile uključuje cjelokupnu površinu obratka. Rukovatelj ovo područje uvijek treba osigurati od slučajna pristupa drugih osoba ili kontakta s predmetima koji bi obradak mogli pomicati tijekom rada.

Pršina koja nastaje kod rada je često štetna po zdravlje i ne bi smjela dospjeti u tijelo. Primijeniti usisavanje prašine i dodatno nositi prikladnu zaštitnu masku protiv prašine. Sleglu prašinu temeljito odstraniti, npr. usisati.

Ne zamjenjujte LED diode ili laser različitim tipovima. Sve popravke treba izvoditi proizvođač ili ovlašteni serviser.

Vršna struja uzrokuje fluktuacije napona i može utjecati na druge električne proizvode na istoj liniji napajanja. priključite uređaj na napajanje s impedancijom jednakom 0,3 Ω za minimiziranje fluktuacije napona. Obratite se dobavljaču električne energije za daljnje informacije.

## SPECIJALNE SIGURNOSNE UPUTE LASER

Ova pila ima lasersko zračenje II. razreda s maksimalnom  $P \leq 1 \text{ mW}$  i valne duljine od  $\lambda: 650 \text{ nm}$ . Ne gledajte izravno u optički instrument. Zbog nepridržavanja pravila moguće su ozbiljne tjelesne ozljede.

Tijekom rada ne gledajte u zrake.

Ne usmjeravajte lasersku zraku izravno u oči drugih osoba. Moguće su ozbiljne ozljede oka.

Ne stavljajte laser u takav položaju u kojem svi trebaju namjerno ili nenamjerno gledati u lasersku zraku.

Ne koristite optičke alate za gledanje laserske zrake.

Ne koristite laser u blizini djece i ne dopuštajte djeci da koriste laser.

Ne pokušavajte sami popravljati laserski uređaj.

Ne pokušavajte samovoljno prepravljati dijelove samog laserskog uređaja.

Sve popravke treba izvoditi proizvođač ili ovlašteni serviser.

Ugrađeni laser ne zamijenite sa laserom nekog drugog tipa.



## PROPISNA UPOTREBA

Potezna kružna pila namijenjena je za piljenje krugotog i lijepljenog drveta s lijepljenim furnirom ili bez njega, plastike ili materijala nalik drvetu.

Poteznom kružnom pilu smiju rukovati samo odrasle osobe koje su pročitale upute za uporabu i koje razumiju rizike i opasnosti.

Potezna kružna pila konstruirana je za pričvršćivanje temelja na fiksni stol. Ako njezin temelj nije čvrsto pričvršćen, cijeli se stroj može pomicati tijekom rezanja zbog čega se povećava mogućnost teške tjelesne ozljede.

Potezna kružna pila konstruirana je za kose i kružne rezove. Kapacitete raznih rezova možete pronaći u proizvodnim specifikacijama u ovim uputama.

Potezna kružna pila koristi se u suhim uvjetima s izvrsnim osvjetljenjem prostora i dostatnom ventilacijom.

Potezna kružna pila namijenjena je za korisničku uporabu i treba s koristiti samo onako kako je to gore opisano i nije namijenjena za druge svrhe.

## PREOSTALE OPASNOSTI

Čak i ako se potezna kružna pila koristi kao što je to gore opisano, i dalje je nemoguće potpuno ukloniti određene faktore preostalog rizika. Mogu se pojaviti sljedeći rizici i rukovatelj treba na njih obratiti posebnu pozornost kako bi ih izbjegao:

- rizik od kontakta s nepokrivenim dijelovima pokretne oštrice pile
- odbacivanje obradaka ili dijelova obradaka zbog neodgovarajućeg namještanja ili rukovanja
- odbacivanje neispravnih vrhova od tvrdog metala s oštrice pile.
- Oštećenje dišnog sustava.

**NAPOMENA:** Nosite maske za zaštitu disanja s filterima prikladnim za materijale koji se obrađuju.

Osigurajte prikladnu ventilaciju radnog prostora. Zabranjena konzumacija hrane, napitaka te zabranjeno pušenje u radnom prostoru.

Moguće oštećenje sluha ako se ne nosi učinkovita zaštita za sluh.

## UPOZORENIE

Prašina nekih boja, obloga i materijala može prouzročiti nadraživanje i alergijske reakcije dišnog sustava. Prašina drva kao što je hrastovina, bukovina, medijapan ili drugih materijala je kancerogena. S materijalom s azbestom trebaju raditi ili ih trebaju obrađivati samo osposobljeni stručnjaci.

## UPOZORENIE

Ozljede mogu biti uzrokovane ili s pogoršati uslijed proizvedene uporabe alata. Ako bilo koji alat koristite duže vrijeme, radite redovite stanke.

## UPOZNAJTE SVOJ PROIZVOD

vidi str. A.

- |  |   |
|--|---|
| 1. Držak uređaja, izolirana površina za hvatanje | 9. Držak za blokiranje okretnih ploče       |
| 2. Prekidač sklopke za uključivanje              | 10. Gornji držak                            |
| 3. Sigurnosna blokirna poluga                    | 11. Gornja zaštita                          |
| 4. Vanjska prirubnica                            | 12. Lijevak za prašinu                      |
| 5. List pile                                     | 13. Vijak za fiksiranje s kliznom funkcijom |
| 6. Donja zaštita                                 | 14. Stezaljka                               |
| 7. Fiksni graničnik                              | 15. Blokirna poluga za kut nagiba           |
| 8. Proreznna pločica                             |   |

- |   |   |
|---|---|
| 16. Klizni graničnik                              | 23. Podesni vijak za graničnik kuta nagiba od 90° |
| 17. Držak za obradak                              | 24. LED prekidač                                  |
| 18. Produžna vodilica                             | 25. Laserski prekidač                             |
| 19. Otvori za pričvršćivanje x4                   | 26. Blokiranje vretena                            |
| 20. Okretna ploča                                 | 27. Podesna ploča za dubinu reza                  |
| 21. Skala kutnika rezanja                         | 28. Podesni gumb za dubinu reza                   |
| 22. Podesni vijak za graničnik kuta nagiba od 45° |   |

## POPIS ZAMJENSKIH DIJELOVA

- PS 216 L: Vlačna pila za obrezivanje i iskošavanje EN 847-1 / ø216 x ø30 x 2,4 / 48T / HW / n max. 7000 min-1 (Str. A: No. 5)
- PS 254 L: Vlačna pila za obrezivanje i iskošavanje EN 847-1 / ø254 x ø30 x 2,6 / 48T / HW / n max. 7400 min-1 (Str. A: No. 5)
- KProreznna pločica (Str. A: No. 8)

## PRIKLJUČAK NA MREŽU

Priključiti samo na jednofaznu naizmjeničnu struju i samo na napon struje, naveden na pločici snage. Priključak je moguć i na utičnice bez zaštitnog kontakta, jer postoji dogradnja zaštitne klase II.

Utičnice na vanjskom području moraju biti opremljene zaštitnim prekidačima za pogrešnu struju (FI, RCD, PRCD). To zahtjeva instalacijski propis za električne uređaje. Molimo da ovo poštujuete prilikom upotrebe našeg aparata.

Samo isključeni stroj priključiti na utičnicu.

Priključni kabel uvijek držati udaljenim sa područja djelovanja. Kabel uvijek voditi od stroja prema nazad.

Prije svake upotrebe aparat, priključni kabel, svežanj baterije, produžni kabel i utikač provjeriti zbog oštećenja i starenja. Oštećene dijelove dati popraviti od strane stručnjaka.

Vršna struja uzrokuje fluktuacije napona i može utjecati na druge električne proizvode na istoj liniji napajanja. priključite uređaj na napajanje s impedancijom jednakom 0,3 Ω za minimiziranje fluktuacije napona.

Obratite se dobavljaču električne energije za daljnje informacije.

## ODRŽAVANJE

Ne prepravljajte ovu pilu ni na koji način i ne koristite pribor koji proizvođač nije odobrio. Možete ugroziti svoju i tuđu sigurnost.

Ne koristite pilu ako sklopke, štitičnici ili druge funkcije ne rade kao što bi trebale. Odnosite uređaj na stručni popravak ili za namještanje ovlaštenoj servisnoj radionici.

Ne namještajte pilu dok ona radi.

Prije namještanja, podmazivanja ili održavanja proizvoda uvijek provjerite je li strujni utikač odspojen od strujnog izvora.

Prije i nakon svake uporabe provjerite je li pila oštećena i ima li puknutih dijelova, držite je u tehnički ispravnom stanju odmah zamjenjujući dijelove dijelovima koje je odobrio proizvođač.

Oštrica je vrlo vruća nakon uporabe, nosite rukavice ili ostavite uređaj da se ohladi prije čišćenja ili održavanja.

Četkom ili usisavačem očistite nataloženu prašinu. Ne koristite komprimirani zrak.

Kako bi se osigurala sigurnost i pouzdanost, sve popravke, uključujući promjenu četki, treba obavljati ovlaštena servisna radionica.

Aparat i zaštitni uređaj čistite jednom suhom krpom.

Proreze za prozračivanje stroja uvijek držati čistima.

Ako treba zamijeniti kabel za napajanje, to treba napraviti proizvođač ili njegov zastupnik, kako bi se izbjegle opasnosti.

Primijeniti samo AEG opremu i rezervne dijelove. Sastavne dijelove, čija zamjena nije opisana, dati zamijeniti kod jedne od AEG servisnih službi (poštivati brošuru Garancija/Adrese servisa).

Po potrebi se može zatražiti crtež eksplozije aparata uz davanje podataka o tipu stroja i desetoznamenkastog broja na pločici snage kod Vaše servisne službe ili direktno kod Technronic Industries GmbH, Max-Eyth-Straße 10, 71364 Winnenden, Germany.

## CE-IZJAVA KONFORMNOSTI

Izjavljujemo pod vlastitom odgovornošću da proizvod opisan u ovdjelnju "Tehnički podaci" ispunjava sve potrebne odredbe smjernica

2011/65/EU (RoHS)

2006/42/EC

2014/30/EU

i da su korišteni sljedeći usklađeni standardi

EN 62841-1:2015

EN 62841-3-9:2015+A11:2017

EN 55014-1:2017

EN 55014-2:2015

EN 61000-3-2:2014

EN 61000-3-11:2000

EN IEC 63000:2018



Winnenden, 2019-03-08

Alexander Krug / Managing Director  
Ovlašten za formiranje tehničke dokumentacije.

Technronic Industries GmbH  
Max-Eyth-Straße 10, 71364 Winnenden, Germany

## SIMBOLI



PAŽNJA! UPOZORENIE! OPASNOST!



Prije radova na stroju izvući utikač iz utičnice.



UPOZORENIE-Kako biste smanjili opasnost od ozljeda, pročitajte upute za uporabu!



Kod radova na stroju uvijek nositi zaštitne naočale.



Nositi zaštitu sluha!



Nositi zaštitne rukavice!



Ruke nikada ne stavljati na područje lista pile.



Aparat je prikladan samo za korištenje u prostorijama, aparat ne izlagati kiši.



Lijevak za prašinu priključak za povezivanje



Režite samo drvo.



Ne gledati u lasersku zraku



Proizvod odgovara klasi lasera 2 po EN 60825-1:2014.



List pile- $\varnothing$  x Bušenje- $\varnothing$



Smjer vrtnje



Zupci lista



Širina reza

**n<sub>0</sub>**

Broj okretaja praznog hoda

**V**

Napon



Izmjenična struja



Električni alat zaštitne kategorije II. Električni alat, čija zaštita od jednog električnog udara ne zavisi samo od osnovne izolacije, već i od toga, da se primijene dodatne zaštitne mjere, kao što su dvostruka izolacija ili pojačana izolacija.

Ne postoji nikakva naprava za priključak nekog zaštitnog voda.



Električni uređaji se ne smiju zbrinjavati skupa sa kućnim smećem. Električni uređaji se moraju skupljati odvojeno i predati na zbrinjavanje primjereno okolišu jednom od pogona za iskorišćavanje. Raspitajte se kod mjesnih vlasti ili kod stručnog trgovca u svezi gospodarstva za recikliranje i mjesta skupljanja.



Europski znak suglasnosti



Ukrajinski znak suglasnosti



Euroazijski znak suglasnosti



TEHNISKIE DATI	PS 216 L	PS 254 L
<b>Taisnleņķa zāģis *</b>		
Izlaides numurs	4699 98 01 ... ... 000001-999999	4699 99 01 ... 4740 22 01 ... ... 000001-999999
Nominālā atdotā jauda	220-240 V, 50 HZ, 1400W, 6,5 A	220-240 V, 50 HZ, 1800W, 8,7 A
Tukšgaitas apgriezienu skaits	5000 min <sup>-1</sup>	4500 min <sup>-1</sup>
Zāģa ripas ārējais diametrs x iekšējais diametrs	216 x 30 mm	254 x 30 mm
Zāģa asmens biezums maksimālais	1,6 mm	1,8 mm
Zāģa asmens zobu biezums minimālais	2,4 mm	2,6 mm
Maksimālā apgriešanas jauda		
Zāģēšanas leņķis Horizontālais 0° / Zāģēšanas leņķis Vertikālais 0°	65 x 305 mm	90 x 305 mm
Zāģēšanas leņķis Horizontālais 45° / Zāģēšanas leņķis Vertikālais 0°	65 x 215 mm	90 x 215 mm
Zāģēšanas leņķis Horizontālais 0° / Zāģēšanas leņķis Vertikālais 45° ↙	36 x 305 mm	50 x 305 mm
Zāģēšanas leņķis Horizontālais 45° / Zāģēšanas leņķis Vertikālais 45° ↘	36 x 215 mm	50x 215 mm
Svars atbilstoši EPTA -Procedure 01/2014	16,7 kg	19,6 kg
<b>Trokšņu informācija</b>		
Vērtības, kas noteiktas saskaņā ar EN 62841. A novērtētās aparatūras skaņas līmenis ir:		
Trokšņa spiediena līmenis (Nedrošība K=3dB(A))	99,27 dB (A)	95,15 dB (A)
Trokšņa jaudas līmenis (Nedrošība K=3dB(A))	112,27 dB (A)	108,15 dB (A)
<b>Nēsāt trokšņa slāpētāju!</b>		

\*PS  $\triangleq$  Taisnleņķa zāģis

## UZMANĪBU!

Norādītā(-) trokšņa emisijas vērtība(-s) ir mērita(-s) saskaņā ar EN 62841-1 un EN 62841-3-9 standarta testa metodi un var tikt izmantota(-s), lai salīdzinātu vienu ierīci ar otru. Norādītā(-s) trokšņa emisijas vērtība(-s) var tikt izmantota(-s) ietekmes sākotnējai izvērtēšanai.

Trokšņa emisijas elektriskā darbarīka lietošanas laikā var atšķirties no norādītajām vērtībām atkarībā no tā, kā darbarīks tiek lietots, it īpaši — kāda sagatave tiek apstrādāta.

Nosakiet drošības pasākumus operatora aizsardzībai, kas pamatojas uz ekspozīciju reālos darba apstākļos (ņemot vērā visas lietošanas cikla daļas, piemēram, laiku, kad instruments ir izslēgts un darbojas tukšgaitā papildus palaišanas laikam).

Nēsājiet ausu aizsargus. Trokšņa iedarbība var izraisīt dzirdes zudumu.

**⚠ UZMANĪBU Izlasiet visus drošības norādījumus, instrukcijas, attēlus un datus, ko saņemat kopā ar ierīci.** Turpmāk sniegto norādījumu neievērošana var kļūt par cēloni elektriskajam triecienam, ugunsgrēkam un/vai smagam savainojumam.

**Pēc izlasīšanas uzglabājiet šos noteikumus turpmākai izmantošanai.**

## ⚠ LEŅĶZĀĢA DROŠĪBAS NORĀDĪJUMI

**a) Leņķzāģi ir paredzēti koksnes vai koksnei līdzīgu materiālu zāģēšanai, tos nevar lietot tādu dzelzs materiālu zāģēšanai kā stabi, stieņi, skrūves utt.** Abrazīvi putekļi izraisa kustīgo detaļu, piemēram, apakšējā aizsargvāka, bloķēšanos. Zāģēšanas dzirksteles aizdedzina apakšējo aizsargvāku, ieliktni un citas plastmasas detaļas.

**b) Pēc iespējas nofiksējiet sagatavi ar spilēm. Ja turēsiet sagatavi ar roku, rokai vienmēr jābūt vismaz 100 mm attālumā no katras zāģa plātnes puses. Nelietojiet šo zāģi tādu sagatavu zāģēšanai, kuras ir pārāk mazas, lai tās varētu droši iespilēt vai turēt ar roku.** Ja roka atrodas pārāk tuvu zāģa plātni, plātne to var viegli aizskart.

**c) Sagatavei jābūt nekustīgai un iespilētai vai droši turētai attiecībā pret atturi un galdu. Nebīdīet sagatavi uz zāģa plātni un nekad nezāģējiet «plikām rokām».** Neiespilētas vai kustīgas sagataves var tikt izmestas lielā ātrumā, izraisot traumas.

**d) Bīdīet zāģi caur sagatavi. Nevelciet zāģi caur sagatavi. Lai veiktu zāģējumu, paceliet zāģa galvu un pārvelciet to pāri sagatavei nezāģējot. Tad ieslēdziet motoru, pagrieziet zāģa bloku uz leju un spiediet zāģi caur sagatavi.** Ja zāģē velkot, rodas risks, ka zāģa plātne sagatavē paceļas un zāģa plātnes bloks ar varu tiek izmests uz operatoru.

**e) Nekad ar roku nešķersojiet paredzēto zāģējuma līniju ne pirms, ne aiz zāģa plātnes.** Ir ļoti bīstami atbalstīt sagatavi «ar sakrustotām rokām», proti, turēt sagatavi labajā pusē blakus zāģa plātni ar kreiso roku vai otrādi.

**f) Kad zāģa plātne griežas, nelieciet rokas aiz attura un vienmēr ievērojiet 100 mm drošības attālumus starp roku un rotējošu zāģa plātni katrā tās pusē, piemēram, kad tirāt koksnes atkritumus.** Rotējošas zāģa plātnes tuvums rokai var nebūt acimredzams, un tādējādi var rasties smags traumas.

**g) Pirms zāģēšanas pārbaudiet sagatavi. Ja sagatave ir izliekta vai sagriezusies, iespējāiet to ar uz āru izliekto zipsi pret atturi. Vienmēr pārlicinieties, ka pa zāģējuma vietu nav spraugas starp sagatavi, atturi un galdū. Izliektas vai sagriezušās sagataves var pagriezties vai savērties un izraisīt rotējošās zāģa plātnes iesprūšanu zāģēšanas laikā. Sagatavē nedrīkst būt naglas vai svešķermeņi.**

**h) Lietojiet zāģi tikai tad, kad galds ir brīvs no instrumentiem, koksnē atkritumiem utt.; uz galdā drīkst atrasties tikai sagatave. Nelieli atkritumi, nenostiprināti koka gabali vai citi priekšmeti, saskaroties ar rotējošu zāģa plātņi, var tikt izmesti lielā ātrumā.**

**i) Vienā reizē zāģējiet tikai vienu sagatavi. Vairākas sakrūtas sagataves nevar atbilstoši iespīlēt vai noturēt, un zāģēšanas laikā tās var izraisīt plātnes iesprūšanu vai tās var noslidēt.**

**j) Pirms lietošanas novietojiet leņķzāģi uz lidzenas un cietas darba virsmas. Lidzena un cietā darba virsma mazina risku, ka leņķzāģis var kļūt nestabils.**

**k) Plānojiēt savu darbu. Regulējot zāģa plātnes slīpumu vai leņķi, vienmēr ievērojiet, lai pareizi būtu noregulēts regulējamais atturis un sagatave būtu pareizi atbalstīta, nesaskaroties ar plātņi vai aizsargvāku. Neieslēdzot mašīnu un bez sagataves uz galdā, ir jāizmēģina zāģa plātnes pilna zāģēšanas kustība, lai pārlicinātos, ka nerodas traucējumi vai risks iezāģēt atturi.**

**l) Nodrošiniēt pīetiekamu atbalstu sagatavēm, kas ir plataākas vai garākas par galdā augšpusi, piemēram, ar galdā pagarinājumiem vai steķiem. Sagataves, kas ir garākas vai plataākas par leņķzāģa galdū, var apgāzties, ja tās nav nekustīgi atbalstītas. Ja nozāģēta koksnes daļa vai sagatave apgāžas, tā var pacelt apakšējo aizsargvāku un plātne to var nekontrolēti izmest.**

**m) Neizmantojiet citu personu, lai aizvietotu galdā pagarinājumu vai papildu balstu. Sagataves nestabila atbalstīšana var izraisīt plātnes iesprūšanu. Tāpat zāģēšanas laikā sagatave var pārbīdīties un ievilk operatoru vai palīgu rotējošā plāksnē.**

**n) Nozāģēto gabalu nedrīkst spīest pret rotējošu zāģa plātņi. Ja ir pārāk maz vietas, piemēram, izmantojot garenvirziena atturus, nozāģētais gabals var saķīlēt plātņi un ar varu tikt izmests.**

**o) Vienmēr lietojiet spīles vai piemērotu mehānismu, lai atbalstītu apaļu materiālu, piemēram, stīenpusi un caurules. Stīenpusē zāģēšanas laikā ir tendence rīpot, kā rezultātā plātne var «īestrēgt» un ievilk sagatavi kopā ar operatora roku plātņē.**

**p) Pirms sagataves zāģēšanas ļaujiet plātņē sasniegt pilnu apgrīezienu skaitu. Tas palīdz izvairīties no sagataves izmetes.**

**q) Ja sagatave iesprūst vai plātne bloķējas, izslēdziet leņķzāģi. Nogaidiet, līdz apstājas visas kustīgās detaļas, izvelciet kontaktdakšu un/vai izņemiet akumulatoru. Pēc tam izņemiet iesprūdušo materiālu. Ja turpināt zāģēt šādas bloķēšanas gadījumā, iespējams kontroles zudums vai leņķzāģa bojājumi.**

**r) Pēc pabeigta zāģējuma atlaidiet slēdzi, turiet zāģa galvu lejā un nogaidiet, līdz plātne apstājas, pirms izņemat nozāģēto gabalu. Ir ļoti bīstami snīgties ar roku vēl neapstājušās plātnes tuvumā.**

**s) Turiet stingri rokturi, ja veicat nepilnu zāģējumu vai atlaižat slēdzi, pirms zāģa galva ir sasniegusi apakšējo galdā pozīciju. Zāģa bremzēšanas darbība var izraisīt zāģa galvas pēkšņu novilkšanu uz leju, izraisot traumu risku.**

## KOKA ZĀĢĒŠANAS ASMENS SPECIĀLIE DROŠĪBAS NOTEIKUMI

Pirms izmantot zāģa asmeni un mašīnu, uzmanīgi izlasiet rokasgrāmatu un instrukcijas.

Mašīnai jābūt labā stāvoklī, vārpsta nedrīkst būt deformēta un vibrēt.

Neizmantojiet zāģi, ja aizsargi nav savās vietās, uzturiet aizsargus labā darba kārtībā un pareizi apķoptus.

Nodrošiniēt, ka operators ir atbilstoši apmācīts par drošības pasākumiem, regulēšanu un mašīnas ekspluatāciju.

Vienmēr valkājiēt brilles un dzirdes aizsargus, kad lietojat mašīnu. Ieteicams valkāt cimdus, izturīgus, neslidošus apavus un priekšautu.

Pirms lietot kādu no pīederumiem, skatīēt instrukciju rokasgrāmatu. Pīederuma nepareiza lietošana var izraisīt bojājumu un palielināt traumu risku.

Izmantojiet tikai asmeņus, kas norādīti šajā rokasgrāmatā un kas atbilst EN 847-1.

Ievērojiet maksimālos apgrīezienu, kas norādīti uz zāģa asmens. Pārlicinieties, ka apgrīezieni, kas norādīti uz zāģa asmens, ir vismaz vienādi ar apgrīezieniem, kas norādīti uz zāģa.

Vienmēr lietojiet pareiza izmēra zāģa asmeni, ar piemērotas formas centrālo atvērsmu. Zāģa asmei, kas neatbilst zāģa stīrinādo elementu formai, necentrējas uz darbvārpstas un var novest pie kontroles zaudēšanas pār zāģēšanas procesu.

Neizmantojiet asmeņus, kuru diametrs ir lielāks vai mazāks par ieteicamo. Neizmantojiet distancerus, lai pielāgotu asmeni vārpstas diametram.

Pirms katras lietošanas reizes pārbaudiet, vai zāģa asmens gali nav bojāti vai ar izskata anomālijām. Gali, kuri ir bojāti vai valģīgi, lietošanas laikā var atdalīties, kļūstot par lidojošiem objektiem, ka palielina traumu risku.

Saplaisājušās zāģu rīpas un tādas, kas ir izmainījušās savu formu, nedrīkst izmantot. Neizmantojot bojātus vai deformētus zāģa diskus.

Ja zāģa asmens ir bojāts, deformēts, mainījis vai ieleplaisājis, utīlizējiēt to; remonts nav atļauts.

Nelīetojiet zāģa plātnes, kas izgatavotas no ātrām darbam paredzētā tēraudā.

Pārlicinieties, ka zāģa asmens ir uzstādīts pareizi, pirms lietošanas kārtīgi pievelciet vārpstas uzgrīzni (pievilšanas moments apm. 12 Nm).

Stīprināšanas skrūvi un uzgrīzņņus jāpievelk, izmantojot atbilstošu uzgrīzņņatslēgu utt.

Nav atļauts izmantot uzgrīzņņatslēgas pagarinājumu vai veikt pievilšanu ar āmuru stīieniem.

Pārlicinieties, ka asmens un atloki ir tīri un ka apciņa īegremdētās malas atrodas asmens pusē.

Pārlicinieties, ka asmens rotē pareizajā virzienā.

Pirms darba veiciēt zāģējuma imitāciju ar izslēgtu motoru, lai varētu pārbaudīt asmens novīetojumu, aizsargu darbību attīecībā pret citām mašīna daļām un apstrādājamo daļu.

Nekādā gadījumā neatstājiēt mašīnu bez pieskatīšanas.

Neuzklājiēt uz asmens smērvīelas, kamēr tas grīezās.



Lat

Nekādā gadījumā neveiciet tīrīšanas vai apkopes darbus, kamēr mašīna vēl darbojas un galva neatrodas miera pozīcijā.

Nekādā gadījumā nemēģiniet strauji apturēt mašīnas kustību, nosprostojot asmeni ar instrumentu vai citu priekšmetu; šādā veidā var tikt nejausi izraisīti nopietni negadījumi.

Atvienojiet zāģi no barošanas vai izņemiet akumulatoru, pirms mainīt asmeņus vai veikt apkopi.

Pievērsiet uzmanību asmens iepakošanai un izpakošanai; no asmens asajiem galiem ir viegli gūt traumas.

Kad strādājat ar zāģa asmeni, izmantojiet asmeņu turētāju vai valkājiet cimdus.

Glabājiet asmeni oriģinālajā iepakojumā vai citā piemērotā iepakojumā, glabājiet to sausus apstākļos un atstātos no ķīmiskajām vielām, kas var bojāt asmeni.

## CITAS DROŠĪBAS UN DARBA INSTRUKCIJAS

Vienmēr droši un kārtīgi nostipriniet apstrādājamo daļu.

Nodrošināt, lai ierīce vienmēr stāvētu stabili (piem., piestiprinot pie darbgalda)..

Nesājiēt ausu aizsargus. Trokšņa iedarbība var izraisīt dzirdes zudumu.

Strādājot ar mašīnu, vienmēr jānēsā aizsargbrilles. Ieteicams valkāt cimdus, strādājot ar asmeņiem un rupjiem materiāliem, kā arī izturīgus, neslidošus apavus, kas arī aizsargā pēdas no apstrādājamām daļām, kas nav nokrist no griešanas zonas.

Vienmēr pārliecinieties, vai kontaktakša ir izņemta no barošanas avota, pirms veicat ierīces regulēšanas, eļļošanas vai apkopes darbus.

Mašīnu pievienot kontaktligzdai tikai izslēgtā stāvoklī.

Nekādā gadījumā nespiedzieties blakus asmenim, kamēr tas nav pilnībā apstājies.

Pirms lietošanas pārbaudiet instrumentu, vai tam nav bojājumu vai materiāla noguruma pazīmju. Bojātās detaļas drīkst remontēt tikai profesionālis.

Noteikti vajag izmantot mašīnai paredzēto aizsargapriekojumu. Nelietojiet mašīnu, ja aizsargi nav savās vietās un nedarbojas pareizi.

Apakšējā asmens aizsargam vajadzētu atvērties tikai tad, kad asmens ir nolaists līdz detaļai, tam vienmēr brīvi jākustas un jāaiztaisa automātiski..

Vienmēr nofiksējiet un izmantojiet pagarinātājstieņa rokturus detaļas atbalstam darbības laikā.

Nekādā gadījumā nemodificējiet zāģi vai tā funkcijas. Tas var mazināt jūsu drošību.

Neizmantojiet zāģa asmeņus, kas ir ierīkaisījuši, bojāti vai deformēti.

Nelietojiet zāģa plātnes, kas izgatavotas no ātrām darbām paredzētā tērauda.

Izmantojiet tikai asus zāģa asmeņus. Nomainiet trulus asmeņus ar jauniem.

Vienmēr lietojiet pareiza izmēra zāģa asmeni, ar piemērotas formas centrālo atvēršumu.

Zāģa asmei, kas neatbilst zāģa stiprinādo elementu formai, necentrējas uz darbavirsmas un var novest pie kontroles zaudēšanas pār zāģēšanas procesu.

Izmantojiet tikai koka zāģēšanas asmeņus, kas norādīti šajā rokasgrāmatā un kas atbilst EN 847-1.

Neizmantojiet citus atlokus, paplāksnes un uzgriežņus, lai piestiprinātu zāģa asmeni, izņemot tos, kas norādīti instrukcijā

Lietojiet zāģa plātni, kas ir piemērota attiecīgā materiāla griešanai. Nekādā gadījumā neizmantojiet ražojumu, lai sagrieztu citus materiālus, izņemot tos, kas norādīti šajā instrukcijā paredzētā lietojuma sadaļā.

Zāģēšanas laikā nepārkarsējiet asmeni un neizkausējiet plastmasas detaļu.

Nodrošiniet, lai netiktu pārsniegti uz zāģa plātnes norādītie maksimālie apgrīzieni. Izmantojiet tikai zāģa asmeni, kas paredzēts tādām pašām vai lielākam ātrumam kā ierīce.

Nomainiet galda ieliktni, kad tas ir nodilis vai bojāts.

Pirms darba veiciet zāģējuma imitāciju ar izslēgtu motoru, lai varētu pārbaudīt asmens novietojumu, aizsargu darbību attiecībā pret citām mašīna daļām un apstrādājamo daļu.

Veicot slīpizgriešanu, nošļaušanu vai sarežģītu slīpīgo griezumus, noregulējiet slīdošo barjeru, lai nodrošinātu pareizu attālumu no asmens.

Ražojuma pārvaidāšanas laikā vienmēr nostipriniet to ar balstiem.

Raudzīties, lai uz grīdas nemēģinātu materiālu atlikumi, piem., zāģskaidas, atgriezumus.

Neizņem zāģēšanas pārpalikumus vai citus formu fragmentus no zāģēšanas iekārtas, ja tā ir iedarbināta un zāģis neatrodas mierīgā pozīcijā.

Garas apstrādājamās sagataves piemērotā veidā atbalstiet. Zāģa darba zona ietver visu detaļas apjomu. Strādniekam vajadzētu norobežot šo zonu no citiem cilvēkiem vai objektiem, kas varētu izkustināt detaļu darbošanās laikā.

Putekļi, kas rodas strādājot, bieži ir kaitīgi veselībai un tiem nevajadzētu nokļūt ķermenī. Vajag izmantot putekļusūcēju un bez tam nēsāt masku, kas pasargā no putekļiem. Nosēdušos putekļus vajag aizvākt, piem. nosūknēt.

Nenomainiet LED lampiņu vai lāzēri ar cita tipa aizvietotāju. Jebkāds remontdarbs drīkst veikt tikai ražotājs vai pilnvarots servisa centrs.

Elektrības kāpumi ir zāģa sprieguma svārstības un var ietekmēt citas elektroierīces tajā pašā elektrības slēgumā. Lai mazinātu sprieguma svārstības, pievienojiet izstrādājumu strāvas padevei, kuras pretestība ir vienāda ar 0,3 Ω. Sazinieties ar savu elektroenerģijas piegādātāju, lai saņemtu plašāku informāciju.

## SPECIĀLIE DROŠĪBAS NOTEIKUMI LĀZERS

Šim zāģim izmantotā lāzera starojums atbilst II. klasei ar maksimāli  $P \leq 1 \text{ mW}$  un  $\lambda$ : 650nm viļņu garumu. Neskatieties tajā tieši ar optiskajiem instrumentiem. Šo noteikumu neievērošana var izraisīt smagas traumas.

Neskatieties starā darbības laikā.

Nevērsiet lāzera staru tieši acīs citiem. Tas var izraisīt smagas acu traumas.

Neovietojiet lāzera pozīciju, kur tā stars var tīšām vai netīšām iespidēt kādam aci.

Neizmantojiet optiskos instrumentus, lai skatītos uz lāzera staru.

Nestrādājiet ar lāzera bērnu tuvumā un neļaujiet bērniem strādāt ar lāzera.

Nemēģiniet patstāvīgi saremontēt lāzera iekārtu.

Nemēģiniet patstāvīgi mainīt lāzera iekārtas daļas.

Jebkāds remontdarbs drīkst veikt tikai ražotājs vai pilnvarots servisa centrs.

Nenomainiet elektroinstrumentā iebūvēto lāzera ar cita tipa lāzera ierīci.

## NOTEIKUMIEM ATBILSTOŠS IZMANTOJUMS

Slidrāmja kombinētais leņķzāģis ir paredzēts, lai zāģētu monolītu un savienotu koku ar vai bez līmēta saplākšņa, plastmasas un materiāliem, kas līdznās kokam.

Slidrāmja kombinētais leņķzāģis ir paredzēts lietošanai tikai pieaugušiem operatoriem, kuri ir izlasījuši instrukciju rokasgrāmatu un izpratūši riskus un draudus.

Slidrāmja kombinētais leņķzāģis ir paredzēts, lai tā pamatni piestiprinātu uz stingra darbgalda. Ja pamatne nav pareizi piestiprināta, visa mašīna griešanas darbu laikā var izkustēties, kas palielina smagu traumu iespēju.

Slidrāmja kombinētais leņķzāģis ir paredzēts, lai veiktu leņķa un šķersseniskus griezumus. Iespējas veikt dažādus griezumus ir norādītas šīs rokasgrāmatas produkta specifikācijās.

Slidrāmja kombinētais leņķzāģis jālieto sausos apstākļos, kur ir liels risks apgaismojums un atbilstoša ventilācija.

Slidrāmja kombinētais leņķzāģis ir paredzēts patērētāju lietošanai, un to drīkst izmantot tikai atbilstoši augstāk sniegtajām instrukcijām, tas nav paredzēts citiem mērķiem.

## PĀRĒJIE RISKI

Pat tad, kad slidrāmja kombinētais leņķzāģis tiek lietots atbilstoši norādēm, nav iespējams pilnībā novērst noteiktus neizbēgamus riska faktorus. Var rasties zemāk aprakstītie draudi, un operatoram jāpievērš īpaša uzmanība, lai izvairītos no šīm situācijām:

- Saskares ar rotējošā zāģa asmeņa neizsegtajām daļām risks.
- Apstrādājamo daļu vai to daļu atslēgšana nepareizas regulēšanas vai apiešanās dēļ.
- Bojātu karbida galu katapultēšana no zāģa asmens.
- Elpošanas sistēmas bojājumi.

**PIEZĪME:** Valkājiet elpošanas aizsargmaskas.

Nodrošiniet atbilstošu darba vietas ventilāciju. Neēdiet, nedzeriet un nesmēķējiet darba zonā.

Var rasties dzirdes traucējumi, ja netiek valkāti dzirdes aizsargi.

## UZMANĪBU

Putekļi no noteiktām krāsām, pārklājumiem un materiāliem var izraisīt elpceļu kairinājumu vai alerģiskas reakcijas. Putekļi no tādēim kokmateriāliem kā ozols, dižskābardis, MDF un citiem var būt kancerogēni. Ar materiāliem, kas satur azbestu, drīkst strādāt vai tos apstrādāt drīkst tikai kvalificēti specializētie operatori.

## UZMANĪBU

Ilgstoša kādas ierīces lietošana var radīt vai paasināt miesas bojājumus. Lietojot jebkuru ierīci ilgstoši, ir jāievēro regulāri pārtraukumi.

## IEPAZĪSTIET SAVU RAŽOJUMU

Skatīt ... lappusi A.

1. Rokturis, izolēta satveršanas virsma
2. Sprūda slēdzis
3. Drošības aiztura svira
4. Ārējais atloks
5. Zāģa asmens
6. Apakšējais aizsargs
7. Fiksētais vadlīnēāls
8. Zāģēšanas plāksnīte
9. Grozāmā galda aiztura rokturis
10. Augšējais rokturis
11. Augšējais aizsargs
12. Putekļu atsūces kanāls
13. Lineārā vītspietņa bloķēšanas poga
14. Iespilētājs
15. Zāģēšanas leņķa aiztura svira
16. Slidošais vadlīnēāls
17. Detaļas turētājs
18. Pagarinājuma stienis
19. Montāžas caurumi x4

20. Pagriežamais galds

21. Leņķa skala

22. 45° zāģēšanas leņķa iestatīšanas skrūve

23. 90° zāģēšanas leņķa iestatīšanas skrūve

24. LED slēdzis

25. Lāzera slēdzis

26. Vārpstas aiztura taustiņš

27. Zāģēšanas dziļuma regulēšanas plāksne

28. Zāģēšanas dziļuma regulēšanas poga

## REZERVES DAĻU SARAKSTS

- PS 216 L: Taisnleņķa zāģis EN 847-1/  $\varnothing 216 \times \varnothing 30 \times 2,4 / 48T / HW / n$  maksimālais 7000 min<sup>-1</sup> (Lappusi A: No. 5)
- PS 254 L: Taisnleņķa zāģis EN 847-1/  $\varnothing 254 \times \varnothing 30 \times 2,6 / 48T / HW / n$  maksimālais 7400 min<sup>-1</sup> (Lappusi A: No. 5)
- KZāģēšanas plāksnīte (Lappusi A: No. 8)

## TĪKLA PIESLĒGUMS

Pieslēgt tikai vienpola mainstrāvas tīklam un tikai spriegumam, kas norādīts uz jaudas paneļa. Pieslēgums iespējams arī kontaktligzdām bez aizsargkontaktiem, ja runa ir par uzbūvi, kas atbilst II. aizsargklasei.

Kontaktligzdām, kas atrodas ārpus jādūbūvām jābūv ar automātiskiem drošinātājslēdzīem, kas nostrādā, ja strāvas plūsmā radušies (FI, RCD, PRCD) bojājumi. To pieprasa jūsu elektroiekārtas instalācijas noteikumi. Lūdzū, to ņemt vārā, izmantojot mūsu instrumentus.

Mašīnu pievienot kontaktligzdām tikai izslēgtā stāvoklī.

Pievienojuma kabeli vienmēr turēt atstātus no mašīnas darbības lauka. Kabelim vienmēr jāatrodas aiz mašīnas.

Pirms katras lietošanas pārbaudīt, vai nav bojāts vai novecojis pats instruments, pievienojuma kabelis, akumulatori, pagarinājuma kabelis un kontaktdakša. Bojātās detaļās drīkst labot tikai speciālisti.

Elektrības kāpumi izraisa sprieguma svārstības un var ietekmēt citas elektroierīces tajā pašā elektrības slēgumā. Lai mazinātu sprieguma svārstības, pievienojiet izstrādājumu strāvas padevei, kuras pretestība ir vienāda ar 0,3  $\Omega$ .

Sazinieties ar savu elektroenerģijas piegādātāju, lai saņemtu plašāku informāciju.

## APKOPĒ

Zāģi nedrīkst nekādā veidā modificēt, kā arī nedrīkst izmantot piederumus, kas nav ražotāja apstiprināti. Tas var mazināt jūsu un citu drošību.

Neizmantojiet zāģi, ja slēdži, aizsargi vai citas šī zāģa funkcijas nedarbojas, kā paredzēts. Atgrieziet to pilnvarotā servisa centrā, lai veiktu remonta un regulēšanas darbus.

Neveiciet nekādas regulēšanas darbības, kamēr zāģa asmens griežas.

Vienmēr pārliecinieties, vai kontaktdakša ir izņemta no barošanas avota, pirms veicat ierīces regulēšanas, elļošanas vai apkopes darbus.

Pirms un pēc katras lietošanas reizes pārbaudiet, vai zāģa daļas nav bojātas vai salūzušas, un uzturiet to labā darba kārtībā, nekavējoties nomainot vajadzīgās daļas ar ražotāja apstiprinātām rezervēs daļām.

Asmens pēc lietošanas ir ļoti karsts, valkājiet cimdus vai ļaujiet tam atdzist, pirms veikt apkopes vai tīrīšanas darbus.

Notīriet sakrājušos putekļus, izmantojot birsti vai putekļsūcēju. Neizmantojiet saspīestu gaisu.



Lat

Lai nodrošinātu drošību un uzticamību, visi remontdarbi, ieskaitot suku maiņu, jāveic pilnvarotā servisa centrā.

Iekārtu un aizsardzības aprīkojumu jātīra ar tīru un sausu lupatīņu.

Vajag vienmēr uzmanīt, lai būtu tīras dzesēšanas atveres.

Ja nepieciešama barošanas vada nomaīņa, lai novērstu apdraudējumu, to jāveic ražotājam vai tā pārstāvim.

Izmantojiet tikai firmu AEG piederumus un firmas rezerves daļas. Lieciet nomainīt detaļas, kuru nomaīņa nav aprakstīta, kādā no firmu AEG klientu apkalpošanas servisiem. (Skat. brošūru "Garantija/klientu apkalpošanas serviss".)

Ja nepieciešams, klientu apkalpošanas servisā vai tieši pie firmas Techtronic Industries GmbH, Max-Eyth-Straße 10, 71364 Winnenden, Germany, var pieprasīt instrumenta numurs, kas norādīts uz jaudas paneļa.



Lat

## ATBILSTĪBA CE NORMĀM

Mēs ar pilnu atbildību paziņojam, ka izstrādājums, kas raksturots sadaļā „Tehniskie dati“, atbilst visām attiecīgajām prasībām direktīvās

2011/65/ES (RoHS)

2006/42/EK

2014/30/ES

un ir piemēroti šādi saskaņotie standarti

EN 62841-1:2015

EN 62841-3-9:2015+A11:2017

EN 55014-1:2017

EN 55014-2:2015

EN 61000-3-2:2014

EN 61000-3-11:2000

EN IEC 63000:2018



Winnenden, 2019-03-08

Alexander Krug / Managing Director  
Pilnvarotais tehniskās dokumentācijas sastādīšanā.

Techtronic Industries GmbH  
Max-Eyth-Straße 10, 71364 Winnenden, Germany

## SIMBOLI



**UZMANĪBU! BĪSTAMI!**



Pirms jebkādiem darbiem, kas attiecas uz mašīnas apkopi, mašīnu noteikti vajag atvienot no kontaktlīdzdas.



**UZMANĪBU!**-Lai izvairītos no savainojumiem, lietotājam jāizlasa instrukcija!



Strādājot ar mašīnu, vienmēr jānēsā aizsargbrilles.



Nēsāt trokšņa slāpētāju!



Jāvalkā aizsargcimdi!



Raugieties, lai rokas vienmēr būtu ārpus zaģa diska zonas.



Šis instruments ir piemērots tikai darbam iekštelpās. Sargāt instrumentu no lietus.



Putekļu atsūces kanāls



Zāģējiet tikai koksnī.



Nelūkot cieši lāzera starā.



Produkts atbilst lāzera 2. klasei saskaņā ar EN 60825-1:2014.



Zaģa ripas ārējais diametrs x iekšējais diametrs



Griešanās virzienu



Zaģa plātnes zobi



Zāģējuma platums

**n<sub>0</sub>**

Tukšgaitas apgriezienu skaits

**V**

Voltāža



Mainstrāva



II aizsardzības klases elektroinstruments. Elektroinstruments, kuram aizsardzība pret elektrisko triecienu ir atkarīga ne tikai no pamata izolācijas, bet arī no tā, ka tiek piemēroti papildu aizsardzības pasākumi, piemēram, dubultā izolācija vai pastiprināta izolācija.



Aizsarga pieslēgšanai instrumenti nav paredzēti. Elektroiekārtas nedrīkst izņemt kopā ar sadzīves atkritumiem. Elektriskās un elektroniskās iekārtas ir jāsavāc atsevišķi un jānodod pārstrādes uzņēmumam, kas no tām atbrīvosies dabai draudzīgā veidā. Meklējiet otrreizējās pārstrādes poligonus un savākšanas punktus vietējās pārvaldes iestādēs vai pie preces pārdevēja.



Eiropas atbilstības zīme



Ukrainas atbilstības zīme



Eiropas atbilstības zīme

Latviski



TECHNINIAI DUOMENYS	PS 216 L	PS 254 L
<b>Traukiamasis kampinis apipjovimo pjūklas *</b>		
Produkto numeris	4699 98 01 ... ... 000001-999999	4699 99 01 ... 4740 22 01 ... ... 000001-999999
Vardinė imamoji galia	220-240 V, 50 HZ, 1400W, 6,5 A	220-240 V, 50 HZ, 1800W, 8,7 A
Sūkių skaičius laisva eiga	5000 min <sup>-1</sup>	4500 min <sup>-1</sup>
Pjovimo disko ø x gręžinio ø	216 x 30 mm	254 x 30 mm
Pjūklų disko korpuso storis maks.	1,6 mm	1,8 mm
Pjūklų disko dantuko storis min.	2,4 mm	2,6 mm
Maks. kirpimo našumas  strižo pjūvio kampas horizontalioje plokštumoje 0°/  strižo pjūvio kampas vertikaliaje plokštumoje 0°  strižo pjūvio kampas horizontalioje plokštumoje 45°/  strižo pjūvio kampas vertikaliaje plokštumoje 0°  strižo pjūvio kampas horizontalioje plokštumoje 0°/  strižo pjūvio kampas vertikaliaje plokštumoje 45°  strižo pjūvio kampas horizontalioje plokštumoje 45°/  strižo pjūvio kampas vertikaliaje plokštumoje 45°	65 x 305 mm 65 x 215 mm 36 x 305 mm 36 x 215 mm	90 x 305 mm 90 x 215 mm 50 x 305 mm 50 x 215 mm
Prietaiso svoris įvertintas pagal EPTA 01/2014 tyrimų metodiką	16,7 kg	19,6 kg
<b>Informacija apie keliamą triukšmą</b> Vertės matuotos pagal EN 62841. Įvertintas A įrenginio keliamo triukšmo lygis dažniausiai sudaro: Garso slėgio lygis (Paklaida K=3dB(A)) Garso galios lygis (Paklaida K=3dB(A))	99,27 dB (A) 112,27 dB (A)	95,15 dB (A) 108,15 dB (A)
<b>Nešioti klausos apsauginės priemonės!</b>		

\*PS ≙ Traukiamasis kampinis apipjovimo pjūklas

## DĖMESIO!

Nurodyta bendrosios triukšmo emisijos vertė nustatyta pagal standartinius bandymo metodus pagal EN 62841-1 ir EN 62841-3-9, todėl gali būti taikoma lyginant vieną įrankį su kitu. Nurodyta bendroji triukšmo emisijos vertė gali būti taikoma nustatant išankstinį poveikio įvertinimą.

Priklausomai nuo prietaiso naudojimo paskirčių ir apdorojamų ruošinių, triukšmo emisijos vertė naudojant elektrinį įrankį gali skirtis nuo nustatytų bendrųjų normų.

Nustatyti saugos priemonės, pagal numatytas prietaiso naudojimo sąlygas, kad šio įrenginio naudotojas būtų apsaugotas (įtraukiant visus naudojimo ciklus, taip pat kai įrankis yra išjungtas ar veikia tuščiąja eiga prieš darbo pradžią).

Nešioti klausos apsaugos priemonės. Dėl didelio triukšmo poveikio gali būti pažeidžiama klausos.

**⚠ DĖMESIO** Perskaitykite visas saugos nuorodas, instrukcijas, iliustracijas ir duomenis, kuriuos gaunate su prietaisu. Jei nepaisysite toliau pateiktų nuorodų, gali kilti elektros smūgio, gaisro ir/arba sunkių sužalojimų pavojus.

**Išsaugokite šias saugos nuorodas ir reikalavimus, kad ir ateityje galėtumėte jais pasinaudoti.**

### ⚠ |STRIZIO PJOVIMO STAKLIŲ SAUGOS INSTRUKCIJOS

a) |strižo pjovimo staklės skirtos medienai ir gaminiam, panašiems į medieną pjauti, staklėmis negalima pjauti naudojant abrazyvinius pjovimo diskus, skirtus pjauti tokias medžiagas kaip strypai, juostos, smeigės ir pan. Dėl šlifavimo dulkių pradeda strigti judančios dalys, pavyzdžiui, apatinis gaubtas. Abrazyvinio pjovimo darbų kibirkštys išdegins apatinį gaubtą, idėklą įpjovai ir kitas plastmasines dalis.

b) Jei įmanoma, pritvirtinkite ruošinį spaustukais. Jei ruošinį prilaikote ranka, privalote ją laikyti bent 100 mm atstumu nuo bet kurios pjovimo disko pusės. Nenaudokite šių staklių dalims, kurios yra per mažos, kad būtų tvirtai prispaustos arba prilaikomos ranka, pjauti. Jei ranka padėta per atliktą pjovimo disko, padidėja pavojus susižaloti prisilietus prie disko.

c) Ruošinys turi būti stacionarus ir priveržtas arba laikomas prie kreiptuvo ir stalo. Nestumkite ruošinio į diską, nepjunkite „laisvomis rankomis“. Nepritvirtinti arba judantys ruošiniai gali būti išmesti dideliu greičiu ir sužaloti.

d) Stumkite stakles per ruošinį. Netraukite staklių per ruošinį. Norėdami atlikti pjūvį pakelkite pjovimo galvutę ir traukite ją per ruošinį nepjudami, paleiskite variklį, spauskite pjovimo galvutę žemyn ir stumkite stakles per ruošinį. Pjaunant traukimo judesiu pjovimo diskas gali pakilti ant ruošinio, o disko blokas gali stipriai trenktis į operatoriaus pusę.



Liet

e) Niekada nedėkite rankos kryžmai virš numatytos pjovimo linijos, tiek prieš pjovimo diską, tiek ir už jo. Labai pavojinga prilaikyti ruošinį „sukeitus rankas“, t. y. laikyti ruošinį kaire ranka dešinėje pusėje nuo pjovimo disko ir atvirksčiai.

f) Diskui sukantis nesiekite bet kuria ranka už kreiptuvo arčiau negu 100 mm atstumu nuo bet kurios pjovimo disko pusės, jei norite pašalinti medienos likučius ar dėl kurios nors kitos priežasties. Galite nepajusti, kai besisukantis pjovimo diskas bus arti rankos, todėl galite sunkiai susižaloti.

g) Prieš pjudami apžiūrėkite ruošinį. Jei ruošinys yra sulinkęs ar iškrypęs, prispauskite jį prie kreiptuvo neiškrypisia dalimi. Visada patikrinkite, ar palei pjovimo liniją tarp ruošinio, kreiptuvo ir stalo nėra tarpų. Sulinkę ar iškrypę ruošiniai gali pasisukti arba pasislinkti, todėl pjaunant įstrigti besisukančiame pjovimo diske. Ruošinyje neturi būti vinių ar pašalinių daiktų.

h) Nenaudokite staklių, kol ant stalo yra paliktų įrankių, medienos likučių ir pan., turi likti tik ruošinys. Smulkios nuopjovos ar laisvi medienos ar kitų daiktų gabalėliai prisilietę prie besisukančio disko gali būti išsviesti dideliu greičiu.

i) Vienu metu pjaukite tik vieną ruošinį. Kelių ruošinių, sudėtų vienas ant kito, negalima tinkamai prispausti ar sustvirtinti, todėl pjaunant jie gali užstrigti prie disko ar pasislinkti.

j) Prieš naudodami patikrinkite, ar įstrizo pjovimo staklės yra uždėtos ar pritvirtintos prie lygaus ir tvirto darbo paviršiaus. Dėl lygaus ir tvirto darbo paviršiaus sumažėja pavojus įstrizo pjovimo staklėms tapti nestabilioms.

k) Kiekvieną kartą keisdami nuožambio ar įstrizo pjovimo kampo nustatymus įsitikinkite, kad reguliuojamas kreiptuvus yra nustatytas tinkamai, prilaiko ruošinį ir netrukdo diskui ar apsauginei sistemai pagal. Prieš JUNGDAMI įrankį pastumkite pjovimo diską visu būsimu pjūviu be ruošinio, kad įsitikintumėte, jog nebus jokių trukdžių ar pavojaus įpjauti kreiptuvą.

l) Jei ruošinys yra platesnis ar ilgesnis už stalviršį, pasirūpinkite pakankama atrama, pavyzdžiui, stalo pailginimu, pjovimo stovais ar pan. Tinkamai neatremti, ilgesni ar platesni už įstrizo pjovimo staklių stalą ruošiniai gali nuvirsti. Jei atpjauta dalis ar ruošinys nuvirsta, jie gali pakelti apatinę staklių apsaugą, taip pat juos gali išsviesti besisukantis diskas.

m) Kito žmogaus pagalba negali atstoti stalo pailginimo. Dėl nestabilios ruošinio atramos pjaunant diskas gali įstrigti arba ruošinys gali pasislinkti, todėl jūs arba jūsų pagalbininkas gali būti trūktelėtas link besisukančio disko.

n) Nupjautos dalies negalima spausti, tiesiogiai ar ne, prie besisukančio pjovimo disko. Prispausda, pvz., naudojant ilgio stabdiklius, nupjauta dalis gali įsisprausti prieš diską ir būti smarkiai išsviesta.

o) Apvalias medžiagas, pavyzdžiui, strypus ar vamzdelius visada tinkamai atremkite naudodami spaustuvus ar fiksavimo įrangą. Pjaunami strypai linkę riedėti, todėl diskas gali įsispausti į juos, traukdamas ruošinį ir jūsų rankas į diską.

p) Prieš pridėdami diską prie ruošinio diskas turi pasiekti visą savo sukimosi greitį. Taip sumažės ruošinio išsviedimo rizika.

q) Jei ruošinys ar diskas įstrigo, išjunkite įstrizo pjovimo stakles. Palaukite, kol visos judančios dalys sustos, tada ištraukite kištuką iš elektros lizdo ir (arba) išimkite akumuliatorių pakuotę. Tada atlaisvinkite įstrigusį ruošinį. Jei toliau pjausite įstrigusį ruošinį, galite prarasti įstrizo pjovimo staklių kontrolę arba jas apgadinti.

r) Užbaigę pjovimą atleiskite jungiklį, laikykite pjovimo galvutę nukreiptą žemyn ir palaukite, kol diskas nebesuks, tada išimkite ruošinį. Siekti ranka šalia disko, judancio iš inercijos, yra pavojinga.

s) Atleiskdami nevisą pjūvį ar atleisdami jungiklį laikykite rankeną tvirtai, kol pjovimo galvutė bus visiškai apatinėje padėtyje. Dėl pjovimo staklių stabdymo veiksmo pjovimo galvutė staiga atsukti žemyn, taip kyla pavojus susižaloti.

## MEDIENOS PJOVIMO DISKAS YPATINGOS SAUGUMO NUORODOS

Prieš naudodami pjovimo diską ir mašiną atidžiai perskaitykite vadovą ir instrukcijas.

Mašina turi būti geros būklės, suklys nedeformuotas, jis neturi vibruoti.

Nenaudokite pjūklo su neuždėtomis apsaugomis, pasirūpinkite, kad būtų palaikoma tinkama apsaugų darbinė būklė.

Užtikrinkite, kad operatorius būtų tinkamai išmokytas laikytis atsargumo priemonių, reguliuoti mašiną ir dirbti ja.

Naudodami mašiną visada nešiokite apsauginius akinius ir klausos apsaugą. Rekomenduojama mėvėti pirštines, avėti tvirtus neslidžius batus ir ryšėti prijuostę.

Prieš uždėdami bet kokį priedą, paskaitykite apie jį instrukcijų vadove. Netinkamai naudojant priedą galima pridaryti žalos ir padidinti pavojų susižaloti.

Naudokite tik šiame vadove nurodytus diskus, atitinkančius standartą EN 847-1.

Neviršykite maksimalaus, ant pjovimo disko pažymėto greičio. Įsitikinkite, kad ant pjovimo diskų pažymėtas greitis yra bent jau lygus greičiui, nurodytam ant pjūklo.

Naudokite tik tinkamo dydžio diskus. Pjūklo disko skylė turi būti reikiamo dydžio ir formos. Pjūklo diskai, kurie neatitinka pjūklo tvirtinimo detalio formos, sukasi ekscentriškai, todėl yra prarandama pjūvio kontrolė.

Nenaudokite mažesnio ar didesnio skersmens diskų nei rekomenduojama. Jei diskas netelpa ant suklio, nenaudokite jokių tarpiklių.

Kiekvieną kartą prieš naudodami patikrinkite, ar neapgadinti pjovimo disko antgaliai, ar jų išvaizda nėra neįprasta. Apgadinti ar laisvi antgaliai gali atsilaisvinti ir nuskrieti nuo įrankio, taip padidindami susižalojimo pavojų.

Įtrūkusius arba pakitusius formas pjovimo diskus naudoti draudžiama! Nenaudoti apgadintų ir deformuotų pjūklo diskų.

Apgadintą, deformuotą ar įskilusį diską reikia išmesti, jo negalima naudoti.

Negalima naudoti iš greitapjūvio plieno pagamintų pjovimo diskų.

Įsitikinkite, kad pjovimo diskas tinkamai sumontuotas, prieš naudodami tvirtai suveržkite atraminę veržlę (maždaug 12 Nm suveržimo jėga).

Tvirtinimo varžtus ir veržles reikia veržti naudojant tinkamą veržliaraktį ar pan.

Neleidžiama naudoti veržliarakčio pailginimo ar suveržti daužant plaktuku.



Liet

Įsitikinkite, kad diskai ir jungės yra švarūs, o movos įdubos yra prieš diską.

Patikrinkite, ar diskas sukasi tinkama kryptimi.

Prieš dirbdami atlikite bandomąjį pjūvį neįjungę variklio, kad patikrintumėte disko padėtį, apsaugų veikimą atsižvelgiant į kitas mašinos dalis ir ruošinį.

Niekada nepalikite mašinos be priežiūros.

Netepkite tepalu besisukančio disko.

Niekuomet nevalykite ir neatlikite techninės priežiūros darbų, kol aparatas dar veikia, o jo galvutė nėra nuleista.

Niekuomet nebandykite staigiai išjungti mašinos ir sustabdyti greitai besisukančio disko, užkirsdami jį įrankiu arba kitais daiktais; tokiu būdu galima netyčia sukelti skaudžių nelaimingų atsitikimų.

Prieš keisdami diskus ar atlikdami techninės priežiūros darbus atjunkite pjūklą nuo elektros lizdo arba išimkite akumuliatorių pakuotę.

Būkite atidūs supakuodami arba išpakuodami diską, galima netyčia įsipjauti į aštrų disko antgalį.

Tvarkydami pjovimo diskus naudokite laikiklį arba mūvėkite pirštines.

Diską laikykite originalioje arba kitoje tinkamoje pakuotėje; sausoje vietoje ir atokiai nuo cheminių medžiagų, galinčių apgadinti diską.

### KITI SAUGUMO IR DARBO NURODYMAI

Visuomet tinkamai ir saugiai pritvirtinkite ruošinį.

Užtikrinti, kad įrenginys stovėtų stabiliai (pvz., pritvirtinti prie darbatalio).

Nešiokite klausos apsaugos priemonės. Dėl didelio triukšmo poveikio gali būti pažeidžiama klausos.

Dirbdami su mašina visada užsidėkite apsauginius akinius. Dirbant su diskais ar šurkščia žaliava rekomenduojama mūvėti pirštines, taip pat – avėti tvirtus neslystančius batus, kurie apsaugotų pėdas nuo ruošinių, galinčių nukristi nuo pjovimo vietos.

Prieš atlikdami bet kokius reguliavimo, tepimo ar techninės priežiūros darbus įsitikinkite, kad kištukas buvo atjungtas nuo maitinimo šaltinio.

Kištuką į lizdą įstatykite, tik kai įrenginys išjungtas.

Niekada nesiekite vietos šalia disko, kol šis visiškai nesustabdytas.

Prieš naudodami įrankį, atidžiai jį patikrinkite, ar nėra apgadinimų arba medžiagos nuovargio. Pažeistas dalis gali remontuoti tik specialistas.

Būtinai naudokite įrenginio saugos įtaisus. Nenaudokite mašinos, jei neuždėtos apsaugos arba jos veikia netinkamai.

Apatinis disko apsaugas turėtų būti atidaromas tik tuomet, kai diskas nusileidžia prie ruošinio, jis turi laisvai judėti ir automatiškai užsidaryti..

Visada pritvirtinkite ilginimo antgalio laikiklius ruošinio atramai naudojimo metu.

Niekada nekeiskite ir nemodifikuokite pjūklo ar jo funkcijų. Gali kilti pavojus jūsų saugai.

Nenaudokite įskilusių, apgadintų ar deformuotų pjovimo diskų.

Negalima naudoti iš greitapjūvio plieno pagamintų pjovimo diskų.

Naudokite tik aštrius pjovimo diskus. Atbukusius diskus pakeiskite naujais.

Naudokite tik tinkamo dydžio diskus. Pjūklo disko skylė turi būti reikiamo dydžio ir formos.

Pjūklo diskai, kurie neatitinka pjūklo tvirtinimo detalio formos, sukasi ekscentriškai, todėl yra prarandama pjūvio kontrolė.

Naudokite tik šiame vadove nurodytus medienos apdirbimo diskus, atitinkančius standartą EN 847-1.

Pjovimo diskui tvirtinti naudokite tik tiekiamas ar vadove nurodytas junges, poveržles ir veržles.

Pasirinkite pjaunamai medžiagai tinkamą pjovimo diską. Niekada nepjaukite prietaisu kitokių medžiagų pjovimui, nei nurodyta šiame vadove.

Svarbu vengti geležtės perkaitimo ir plastikinio ruošinio išlydimo pjaunant.

Būtinai neviršyti ant pjovimo disko nurodyto maksimalaus sūkių skaičiaus. Naudokite tik tokį pjovimo diską, kurio apusokis yra lygūs nurodytoms ant įrankio ženklavimo arba didesnės už jas.

Jei stalo įdėklas nusidėvėjęs ar apgadintas, jį pakeiskite.

Prieš dirbdami atlikite bandomąjį pjūvį neįjungę variklio, kad patikrintumėte disko padėtį, apsaugų veikimą atsižvelgiant į kitas mašinos dalis ir ruošinį.

Atlikdami įžambius, įstrizus arba įžambius kombinuotus pjovimus, sureguliuokite slankiąją tvorelę taip, kad užtikrintumėte tinkamą atstumą nuo asmenų.

Transportuojamas prietaisas visada turi būti pritvirtintas laikikliu.

Pasirūpinti tvarka, kad ant grindų nesimėtytų medžiagų atliekos: drožlės, nuopjovos.

Nešalinti jokių pjovimo likučių ar kitų pjovimo detalių liekanų, jei mašina veikia, o pjūklo galvutė nėra pradinėje padėtyje.

Jei pjaunami objektai ilgi, juos tinkamai paremkite. Pjaunamasis paviršius apima visą ruošinį. Naudotojas turi apsaugoti šį paviršų nuo atsitiktinio sąlyčio su žmonėmis ar kitais objektais, kurie gali pajudinti ruošinį įrankio naudojimo metu.

Darbo metu kylančios dulklės dažnai kenkia sveikatai, todėl turėtų nepatekti į organizmą. Naudokite dulkių nusiurbimą, papildomai nešiokite tinkamą apsaugos nuo dulkių kaukę. Kruopščiai pašalinkite, pvz. nusiurbkite, nusėdusias dulkes.

Nekeiskite šviesos diodo ar lazerio kito tipo diodu ar lazeriu. Visus remonto darbus turi atlikti gamintojas ar įgijotasis techninės priežiūros atstovas.

Dėl srovės pertrūkio įtampa pradeda svyruoti bei gali turėti įtakos kitiems prie tos pačios energijos grandinės prijungtiems elektros prietaisams. Kad sumažintumėte įtampos svyravimus, gaminįjunkite į maitinimo tinklą, kurio tariamoji varža yra 0,3 Ω. Dėl išsamesnės informacijos kreipkitės į elektros energijos tiekėją.

### YPATINGOS SAUGUMO NUORODOS LAZERIS

Šiame pjūkle naudojama II klasės lazerio spinduliuotė, su maksimaliu  $P \leq 1\text{mW}$  ir  $\lambda$ : 650nm bangų ilgiu. Nežiūrėkite tiesiai į optinius instrumentus. Nesilaikant šių taisyklių galima sunkiai susižaloti.

Dirbdami nežiūrėkite į spindulį.

Nenukreipkite lazerio spindulio tiesiai į kitų žmonių akis. Galima sunkiai sužaloti akis.

Nenustatykite lazerio taip, kad kas nors galėtų tyčia ar netyčia žiūrėti į lazerio spindulį.

Nežiūrėkite į lazerio spindulį naudodami optinius įrankius.

Nenaudokite lazerio šalia vaikų, neleiskite vaikams naudoti lazerio.

Nemėginkite patys remontuoti lazerio įrenginio.

Nemėginkite patys keisti jokių lazerio įrenginio dalių.

Visus remonto darbus turi atlikti gamintojas ar įgijotasis techninės priežiūros atstovas.

Įmontuoto lazerio nepakeiskite kito tipo lazeriu.



## NAUDOJIMAS PAGAL PASKIRTĮ

Skersavimo bei suleidimo ir įstrižo pjovimo staklės yra skirtos vientsiai ir suleistai medienai, medienai padengtai klijuota fanera, plastikui ar panašioms į medieną medžiagoms pjauti.

Skersavimo bei suleidimo ir įstrižo pjovimo staklės gali naudoti tik suaugę operatoriai, perskaite instrukcijų vadovą ir suprantantys galimą riziką ir pavojus.

Skersavimo bei suleidimo ir įstrižo pjovimo staklės turi būti užfiksuotos ant tvirtu darbatalio viršaus. Jei pagrindas nėra tvirtai užfiksuotas, pjaunant visa mašina gali pajudėti, todėl padidėja sunkių sužalojimų pavojus.

Skersavimo bei suleidimo ir įstrižo pjovimo staklės yra skirtos nuosklemboms ir įstrižiams pjūviams atlikti. Įvairių pjūvių atlikimo gėba nurodyta šiame vadove, gaminio specifikacijoje.

Skersavimo bei suleidimo ir įstrižo pjovimo staklės yra skirtos naudoti sausoje vietoje, kur yra geras apšvietimas ir pakankamas vėdinimas.

Skersavimo bei suleidimo ir įstrižo pjovimo staklės yra skirtos naudoti buitėje, todėl turi būti naudojamos tik kaip aprašyta aukščiau, jos nėra skirtos naudoti kitu tikslu.



Liet

## KITI PAVOJAI

Net naudojant skersavimo bei suleidimo ir įstrižo pjovimo staklės kaip aprašyta, negalima visiškai išvengti tam tikrų liekamųjų pavojų. Galimi toliau nurodyti liekamieji pavojai, todėl operatorius turi būti labai atidus ir jų vengti:

- Pavojus prisiliesti prie neuždengtų besisukančių pjovimo disko dalių.
- Ruošinio ar ruošinio dalių atitransko pavojus dėl netinkamo reguliavimo ar tvarkymo.
- Sugedusių karbido antgalių atšokimas nuo pjovimo disko.
- Kvėpavimo sistemos pakenkimas.

**PASTABA:** Dėvėkite kvėpavimo apsaugos kaukę su filtrais, pritaikytais apdirbamai medžiagai.

Užtikrinkite pakankamą darbo vietos vėdinimą. Darbo vietoje nevalgykite, negerkite ir nerūkykite.

Nedėvint efektyvių klausos apsaugos įtaisų galima pakenkti klausai.

## DĖMESIO

Tam tikrų dažų dangos ar medžiagos gali sukelti kvėpavimo takų dirginimą ar alerginę reakciją. Medienos dulksės, pavyzdžiui, ažuolo, buko, MDF ar kitos yra kancerogeniškos. Su medžiagomis, kurių sudėtyje yra asbesto, turi dirbti ir jas apdirbti tik kvalifikuoti specialistai.

## DĖMESIO

Dėl ilgo įrankio naudojimo galimi sužalojimai, taip pat gali pablogėti sveikata. Jei įrankį reikia naudoti ilgą laiką, būtina reguliariai darykite pertraukas.

## PAŽINKITE SAVO PRIETAISĄ

Žr. p. A.

- |  |                                      |
|--|--------------------------------------|
| 1. Rankena, izoliuotas suėmimo paviršius | 7. Įtvirtinta užtvara                |
| 2. Gaidukas                              | 8. Įpjovos plokštelė                 |
| 3. Saugos užrakto svirtis                | 9. Sukamojo pagrindo užrakto rankena |
| 4. Išorinė jungė                         | 10. Viršutinė rankena                |
| 5. Pjovimo diskas                        | 11. Viršutinis apsaugas              |
| 6. Apatinis apsaugas                     | 12. Dulkių latakas                   |

- |  |  |
|--|--|
| 13. Linijinio strypo pritvirtinimo rankenėlė | 22. 45 laipsnių nuožulnaus kampo koregavimo sraigtas |
| 14. Veržiklis                                | 23. 90 laipsnių nuožulnaus kampo koregavimo sraigtas |
| 15. Nuožulnaus kampo fiksavimo svirtis       | 24. LED jungiklis                                    |
| 16. Slankiojanti užtvara                     | 25. Lazerio jungiklis                                |
| 17. Ruošinio laikiklis                       | 26. Suklio užrakto mygtukas                          |
| 18. Ilginimo antgalis                        | 27. Pjovimo gylio reguliavimo plokštė                |
| 19. Tvirtinimo skyklės 4 vnt.                | 28. Pjovimo gylio reguliavimo rankenėlė              |
| 20. Sukamasis pagrindas                      |  |
| 21. Įstrižojo pjūvio skalė                   |  |

## PAKAITINIŲ DALIŲ SARAŠAS

- PS 216 L: Traukiamasis kampinis apijovimo pjūklas EN 847-1/ø216 x ø30 x 2,4 / 48T / HW / n maks. 7000 min-1 (P. A: No. 5)
- PS 254 L: Traukiamasis kampinis apijovimo pjūklas EN 847-1/ø254 x ø30 x 2,6 / 48T / HW / n maks. 7400 min-1 (P. A: No. 5)
- KĮpjovos plokštelė (P. A: No. 8)

## ELEKTROS TINKLO JUNGTI

Jungti tik prie vienfazės kintamos elektros srovės ir tik į specifikacijų lentelėje nurodytos įtampos elektros tinklą. Konstruktijos saugos klase II, todėl galima jungti ir į lizdus be apsauginio kontakto.

Lauke esantys el. lizdai turi būti su gedimo srovės išjungikliais. Tai nurodyta Jūsų elektros įrenginio instaliacijos taisyklėse (FI, RCD, PRCD). Atsižvelkite į tai, naudodami prietaisą.

Kištuką į lizdą įstatykite, tik kai įrenginys išjungtas.

Maitinimo kabelis turi nebūti įrenginio poveikio srityje. Kabelį visada nuveskite iš galinės įrenginio pusės.

Kiekvieną kartą prieš naudojimą patikrinkite, ar ant prietaiso, maitinimo kabelio, akumuliatoriaus bloko prailginimo kabelio ir kištuko nėra pažeidimų ir senėjimo požymių. Pažeistas dalis leidžiama taisyti tik specialistams.

Dėl srovės pertrūkio įtampa pradeda svyruoti bei gali turėti įtakos kitiems prie tos pačios energijos grandinės prijungtiems elektros prietaisams. Kad sumažintumėte įtampos svyravimus, gaminį jungkite į maitinimo tinklą, kurio tariamoji varža yra 0,3 Ω.

Dėl išsamesnės informacijos kreipkitės į elektros energijos tiekėją.

## TECHNINIS APTARNAVIMAS

Niekai nepatvirtinkite šio pjūklo, nenaudokite gamintojo nepatvirtintų priedų. Galite pakenkti savo ar kitų žmonių saugai.

Nenaudokite pjūklo, jei tinkamai neveikia kokie nors jungikliai, apsaugos ar kitos šio pjūklo funkcijos. Atiduokite prietaisą į įgaliotąjį priežiūros centrą, kad jį profesionaliai suremontuotų ar sureguliuotų.

Neatlikite jokių pakeitimų, kai juda pjovimo diskas.

Prieš atlikdami bet kokius reguliavimo, tepimo ar techninės priežiūros darbus įsitikinkite, kad kištukas buvo atjungtas nuo maitinimo šaltinio.

Prieš naudodami ir po naudojimo patikrinkite, ar pjūklas neapgadintas, ar nėra sulūžusių dalių. Palaikykite gerą darbinę būklę iškart pakeisdami apgadintas dalis gamintojo patvirtintomis atsarginėmis dalimis.

Po naudojimo diskai yra labai karšti, todėl mėvėkite pirštines arba prieš atlikdami techninės priežiūros ar valymo darbus palaukite, kol diskai atvės.

Lietuviškai

Susikaupusias dulkes nuvalykite šepetėliu ar dulkių siurbliu. Nenaudokite suslėgto oro.

Siekiant užtikrinti saugą ir patikimumą, visus remonto darbus, įskaitant šepetėlių keitimą, turi atlikti įgalioto priežiūros centro darbuotojai.

Sausu skudurėliu nuvalykite prietaisą ir apsauginį įrenginį. Įrenginio vėdinimo angos visada turi būti švarios.

Jei reikia pakeisti maitinimo laidą, siekiant išvengti pavojaus saugai tai turi atlikti gamintojas arba jo atstovas.

Naudokite tik AEG priedus ir atsargines dalis. Dalis, kurių keitimas neaprašytas, leidžiama keisti tik AEG klientų aptarnavimo skyriams (žr. garantiją/klientų aptarnavimo skyrių adresus brošiūroje).

Jei reikia, nurodant įrenginio tipą bei specifikacijų lentelėje esanti numerį, iš klientų aptarnavimo skyriaus arba tiesiai iš Techtronic Industries GmbH, Max-Eyth-Straße 10, 71364 Winnenden, Germany, galima užsisakyti prietaiso surinkimo brėžinius.

## CE ATITIKTIES PAREIŠKIMAS

Prisiimdami visą atsakomybę pareiškiamo, kad gaminyje, aprašytas „Techniniuose duomenyse“, atitinka taikomus reikalavimus, išdėstytus direktyvose

2011/65/ES (RoHS)

2006/42/EB

2014/30/ES

ir buvo taikyti šie darnieji standartai

EN 62841-1:2015

EN 62841-3-9:2015+A11:2017

EN 55014-1:2017

EN 55014-2:2015

EN 61000-3-2:2014

EN 61000-3-11:2000

EN IEC 63000:2018



Winnenden, 2019-03-08

Alexander Krug / Managing Director  
Įgaliotas parengti techninius dokumentus.

Techtronic Industries GmbH  
Max-Eyth-Straße 10, 71364 Winnenden, Germany

## SIMBOLIAI



DĖMESIO! ĮSPĖJIMAS! PAVOJUS!



Prieš atlikdami bet kokius įrenginyje, ištraukite iš lizdo kištuką.



DĖMESIO-Norėdami išvengti susižalojimo, būtinai perskaitykite naudojimo instrukciją!



Dirbdami su įrenginiu visada nešiokite apsauginius akinius.



Nešioti klausos apsaugines priemones!



Lietojiet aizsardzības cimdus!



Rankas laikyti kuo toliau nuo diskinio pjūklo.



Prietaisą galima naudoti tik patalpose, saugoti prietaisą nuo lietaus.



Dulkių lataukų jungtis



Pjunkite tik medieną.



Nežiūrėkite į lazerio spindulį.



Gaminys atitinka 2 lazerio klasę pagal EN 60825-1:2014.



Pjovimo disko  $\varnothing$  x gręžinio  $\varnothing$



Sukimosi kryptis



Ašmenų dantukai



Pjūvio plotis

**n<sub>0</sub>**

Sūkių skaičius laisva eiga

**V**

Įtampa



Kintamoji srovė



II apsaugos klasės elektrinis įrankis. Šio elektrinio įrankio apsauga nuo elektros smūgio priklauso ne tik nuo pagrindinės izoliacijos, bet ir nuo to, kaip naudojamos papildomos apsauginės priemonės, tokios kaip dviguba arba pagerinta izoliacija.



Nėra jokie prietaiso apsauginio laido pajungimui. Elektros prietaisų negalima išmesti kartu su buitinėmis atliekomis. Būtina rūšiuoti elektros ir elektroninius prietaisus ir atiduoti į atliekų perdirbimo centrą, kad jie būtų utilizuoti netešiant aplinkos. Informacijos apie perdirbimo centrus ir atliekų surinkimo įstaigas teiraukitės vietos įstaigoje arba prekybininko.



Europos atitikties ženklas



Ukrainos atitikties ženklas



Eurazijos atitikties ženklas



Lietuviškai

TEHNILISED ANDMED Nurgasaag *	PS 216 L	PS 254 L
Tootmisnumber	4699 98 01 ... ... 000001-999999	4699 99 01 ... 4740 22 01 ... ... 000001-999999
Nimitarbitimine	220-240 V, 50 HZ, 1400W, 6,5 A	220-240 V, 50 HZ, 1800W, 8,7 A
Pöörlemiskiirus tühijooksul	5000 min <sup>-1</sup>	4500 min <sup>-1</sup>
Saelehe ø x puuri ø	216 x 30 mm	254 x 30 mm
Saelehe kere paksus max	1,6 mm	1,8 mm
Saelehe hamba paksus min	2,4 mm	2,6 mm
Lõikevõimsus max Kaldenurk horisontaalne 0°/ Kaldenurk vertikaalne 0° Kaldenurk horisontaalne 45°/ Kaldenurk vertikaalne 0° Kaldenurk horisontaalne 0°/ Kaldenurk vertikaalne 45° Kaldenurk horisontaalne 45°/ Kaldenurk vertikaalne 45°	65 x 305 mm 65 x 215 mm 36 x 305 mm 36 x 215 mm	90 x 305 mm 90 x 215 mm 50 x 305 mm 50 x 215 mm
Kaal vastavalt EPTA-protseduurile 01/2014	16,7 kg	19,6 kg
<b>Müra andmed</b> Mööteväärtsused on kindlaks tehtud vastavalt normile EN 62841. Seadme tüüpiline hinnanguline (müratase): Helirõhutase (Määramatus K=3dB(A)) Helivõimsuse tase (Määramatus K=3dB(A)) <b>Kandke kaitseks kõrvaklappe!</b>	99,27 dB (A) 112,27 dB (A)	95,15 dB (A) 108,15 dB (A)

\*PS  $\triangleq$  Nurgasaag

## TÄHELEPANU!

Müraemissiooni deklareeritud koguväärtus(ed) on mõõdetud kooskõlas standardi EN 62841-1 ja EN 62841-3-9 kohase katsemeetodiga ja neid võib kasutada tööriistade omavaheliseks võrdlemiseks. Müraemissiooni deklareeritud koguväärtust (-väärtuseid) võib kasutada ka kokkupuute esialgseks hindamiseks.

Müraemissioon elektritööriista tegeliku kasutamise ajal võib erineda deklareeritud väärtustest sõltuvalt sellest, kuidas tööriista kasutatakse ja eriti sellest, millist toorikut töödeldakse.

Tuvastage operaatori kaitsmiseks ohutusmeetmed, mis põhinevad prognoositalv kokkupuutel tegelikes kasutustingimustes (võttes arvesse töötajaliikimise oosi, näiteks lisaks käivitusaajale ka aega, kui tööriist on välja lülitatud ja kui see töötab tühikäigul).

Kandke kaitseks kõrvaklappe. Müra toime võib põhjustada kuulmiskadu.

**⚠ TÄHELEPANU** Lugege kõik seadmega kaasas olevad ohutusjuhised, juhendid, joonised ja andmed läbi. Järgnevalt toodud juhiste eiramise tagajärjeks võib olla elektrilöök, tulekahju ja/ või raskest vigastused.

**Hoidke kõik ohutusnõuded ja juhised edasiseks kasutamiseks hoolikalt alles.**

## ⚠ OHUTUSJUHISED PENDELSAAGIDELE

**a) Pendelsaad on mõeldud puidu või puidusarnaste toodete lõikamiseks, neid ei saa kasutada abrasiivsete lõikeketastega raudmaterjalide lõikamiseks, nagu talad, vardad, needid jne.** Abrasiivne tolm põhjustab liikuvate osade, nagu alumise kaitse, ummistumist. Abrasiivse lõikamise põhjustatud sädemed kõrvetavad alumist kaitset, saelõike vahetükki ja teisi plastosi.

**b) Kasutage võimalusel alati töödetalli toetamiseks klambreid.** Töödetalli käega toetades peate alati hoidma oma käe vähemalt 100 mm kaugusel saetera mõlemast küljest. Ärge kasutage seda saagi detailide lõikamiseks, mis on turvaliselt kinnitamiseks või käega hoidmiseks liiga väikesed. Kui teie käsi asub saeterale liiga lähedal, suureneb saeteraga kokku puutumise tõttu vigastuste saamise oht.

**c) Töödetail peab seisma paigal ning see peab olema kinnitatud klambri või hoitud vastu nii võre kui lauda.** Ärge sõotke töödetalli terale ega lõigake mingil viisil „vaba käega“. Kinnitamata või liikuvaid töödetalle võidakse suurel kiirusel eemale heita, põhjustades vigastusi.

**d) Lükake saagi läbi töödetalli. Ärge tõmmake saagi läbi töödetalli. Lõike tegemiseks tõstke saepea ja tõmmake see üle töödetalli välja ilma seda lõikamata, käivitage mootor, suruge saepea alla ja lükake saag läbi töödetalli.** Lõikamine tõmbamise ajal võib tõenäoliselt põhjustada saetera töödetallile ronimise ja tera koostu tugevalt kasutaja suunas heitmise.

**e) Ärge kunagi viige oma kätt saetera ees ega taga üle soovitud lõikejoone.** Töödetalli „kæed risti“ toetamine, st töödetalli hoidmine saetera paremal küljel oma vasaku käega või vastupidi, on väga ohtlik.

**f) Ärge harake saetera töötamise ajal puidujääkide eemaldamiseks või muudel põhjustel kummagi käega võre taha lähemale kui 100 mm saetera kummastki küljest.** Saetera lähedus teie käele ei pruugi olla ilme ja te võite saada tõsiselt vigastusi.

**g) Vaadake oma töödetail enne lõikamist üle.** Kui töödetail on paindunud või kõverdunud, kinnitage see väljapoole kaardus küljega võre poole. Veenduge alati, et **töödetaili, võre ja laua vahel ei oleks lõikejoonel vahe**sid. Painutatud või kõverdunud töödetailid võivad pöörduda või liukuda ning põhjustada lõikamise ajal pöörleva saetera takerdumist. Töödetailis ei tohi olla naelu ega vöörkehi.

**h) Ärge kasutage saagi enne seda, kui laud on puhas kõigist tööriistadest, puidujääkidest jne peale töödetaili.**

Pöörleva teraga kokku puutuvad väikesi jäätmteid või lahtisi puutükke või muid esemeid võidakse suure kiirusega eemale heita.

**i) Lõigake korraga ainult ühte töödetaili.** Üksteise peale asetatud mitut töödetaili ei saa piisavalt kindlalt kinnitada või toetada ning need võivad põhjustada tera kinni kiilumist või lõikamise ajal liukuda.

**j) Enne kasutamist veenduge, et pendelsaag oleks paigaldatud või asetatud tasasele ja kindlale tööpinna**le. Tasane ja kindel tööpind vähendab pendelsaega ebastabiilseks muutumise ohtu.

**k) Planige oma töö ette. Kaldpinna või lõikenurga seadistuse muutmisel veenduge alati, et reguleeritav võre on seatud korralikult töödetaili toetama ega häiri tera ega kaitsesüsteemi.** Liigutage saetera ilma tööriista „SISSE” lülitama ja ilma laual oleva töödetaili läbi täieliku simuleeritud lõike, et veenduda takistuste või võre lõikamise ohu puudumisest.

**l) Pakkuge laua pinnast laiemale või pikemale töödetailile piisavat tuge, nagu lauapikendused, saepukid jne.** Pendelsaega lauast pikemad või laiemad töödetailid võivad kindla toetuse puudumisel kalduda. Lõigatud tüki või töödetaili kaldumisel võib see tõsta alumist kaitsset või võidakse see pöörleva tera poolt eemale heita.

**m) Ärge kasutage teist isikut lauapikenduse asendaja või täiendava toena.** Töödetaili ebastabiilne togi võib põhjustada saetera kinni kiilumise või töödetaili lõikamise käigus liikumise, tõmmates teid ja abistajat pöörlevasse terasse.

**n) Lõigatud tükki ei tohi mingil viisil vastu pöörlevat saetera suruda või vajutada.** Kui see on piiratud, nt pikisuunaliste tugede abil, võib lõigatud tükk kiiluda vastu tera ja see võidakse jõuliselt minema heita.

**o) Kasutage ümarmaterjali nagu varaste või torude puhul alati nende korralikuks toetamiseks mõeldud klambrit või kinnitust.** Varrastel on kalduvus lõikamise ajal pöörduda, põhjustades tera „hammastamist” ning töö koos teie käega terasse tõmbamist.

**p) Laskete alati enne töödetaili puudutamist saavutada täiskiirus.** See vähendab töödetaili heitmise ohtu.

**q) Kui töödetail või tera takerdub, lülitage pendelsaag välja. Oodake kõigi liikuvate osade peatumiseni ning eemaldage pistik vooluvõrgust ja/või eemaldage akupakk. Seejärel teostage takerdunud materjali vabastustööd.** Takerdunud töödetailil saagimise jätkamine võib põhjustada kontrolli kaotamise või kahjustada pendelsaagi.

**r) Pärast lõike lõpetamist vabastage lüliti, hoidke saepea all ja oodake enne lõigatud tüki eemaldamist tera peatumiseni.** Käega vabalt pöörleva tera poole haaramine on ohtlik.

**s) Ebatäieliku lõike teostamisel või lüliti vabastamisel enne saepea täielikult alumisse asendisse jõudmist hoidke kindlalt käepidemest.** Sae pidurdamine võib põhjustada saepea äkilist allapoole tõmbamist, põhjustades vigastusohu.

## PUIDU LÕIKETERA SPETSIAALSED TURVAJUHISED

Lugege hoolikalt käesolevat kasutusjuhendit ja ohutusjuhendit enne saekettaste, -terade, -lehtede ning masina kasutamist.

Seade peab olema heas korras, spindel ei tohi võbeleda ega olla deformeerunud.

Ärge kasutage saagi, kui kaitsmed pole õiges asendis, hoidke kaitsmeid heas töökorras ja hoolikalt hooldatud.

Tagage seadme kasutaja asjakohased ja piisavad teadmised ja oskused masina seadistuste, kohandamise, käsitsemise ja ohutusaabinõude suhtes.

Kasutage alati kaitsesprille ja kuulmiskaitset seadmega töötamisel. On soovitatav kanda kindaid, vastupidavaid mittelibisevaid jalatseid ja põlle.

Enne mis tahes lisatarvikute kasutamist tutvuge kasutusjuhendiga. Tarviku ebaõige kasutamine võib tekitada kahju ning suurendada võimalike kehavigastuste riski.

Kasutage ainult selles kasutusjuhendis eritletud saeteri, mis vastavad EN 847-1 standardile.

Uurige saeketta andmesildile märgitud maksimaalset kiirust. Veenduge, et saeketta andmesildile märgitud maksimaalne kiirus oleks vähemalt samavõrdne saele märgitud kiirusega.

Kasutage alati saekettaid, mille siseava suurus ja kuju on õiged. Saekettad, mis ei sobi sae völliga, pöörlevad ekstsentriliselt ja põhjustavad tööriista väljumise kasutaja kontrolli alt.

Ärge kasutage soovitatust suurema või väiksema diameetriga kettaid. Ärge kasutage ühtegi vahedetaili, et sobitada saelehte või -kettast spindli telgedele vahele.

Kontrollige enne kasutamist saeketta ja -lehe otsi, et täheldada nende võimalikke kahjustusi või välimuse kõrvalekaldeid. Kahjustunud või lõdvad otsad võivad kasutamisel lenduda ning suurendada kehavigastuste riski.

Mõranenud ning deformeerunud saelehti ei tohi kasutada! Kahjustatud või deformeerunud saekettaid ei tohi kasutada.

Kahjustunud, deformeerunud, moonduvad, purunenud saeleht tuleb ära visata, parandamine ei ole lubatud.

Mitte kasutada kiirlõiketerasest valmistatud saelehti.

Veenduge, et saeleht on korralikult kinnitatud, turvalisuse tagamiseks pinguldage kontramutrit enne seadme kasutamist (kinnituse pingutusmoment umbes 12 Nm).

Kruviga ja mutrite kinnitamiseks ja pinguldamiseks tuleb kasutada sobivaid mutrivõtmeid jne.

Mutrivõtme pikendusi või haamrit ei tohi kinnitada tihendamiseks kasutada.

Veenduge, et saelehed ja äärikud oleksid puhtad ning süvistatud osade kaelused oleksid saeketta vastas.

Veenduge, et saeketas pöörleks õiges suunas.

Enne tööle asumist ja seadme käivitamist tehke näiline lõige, mis aitaks saelehe asendit ning kaitsmete toimimist seadme teiste osade ja töödetailide suhtes kontrollida.

Ärge kunagi jätke seadet järelevalveta.

Ärge lisage määrdeaineid kettale, kui see töötab.

Ärge kunagi puhastage või hooldage masinat, kui masin veel töötab ja töötlemispea pole seisuasendis.



Est

Ärge kunagi püüdke liikuvat mootorit järsult seistatada kiiludes tööriista või muud vahendit vastu saeketast, mis võib sel viisil tahtmatult põhjustada raskeid õnnetusi.

Ühendage saag vooluvõrgust lahti või toimetage akukomplekt eemale enne saeketta vahetamist või masina hooldamist.

Olge tähelepanelik ketaste pakkimisel ja lahti pakkimisel, teravad saekettahambad võivad kergesti tekitada vigastusi.

Kasutage terahoidikut või kandke saetera käsitsemisel kaitsekindaid.

Hoidke saekettaid, -lehti ja teri originaal- või muus sobivas pakendis kuivas kohas, eemal kemikaalidest, mis võivad kahjustada ketast.

## EDASISED OHUTUS- JA TÖÖJUHISED

Kinnitage töödetaalid alati ohutult ja turvaliselt.

Kontrollida tuleb, et seade oleks alati stabiilses asendis (nt tööpingile kinnitatud)..

Kandke kaitseks kõrvaklappe. Müra toime võib põhjustada kuulmiskadu.

Masinaga töötamisel kanda alati kaitseprille. On soovitatav kasutada lööketerade ja karedate materjalide käsitsemisel kaitsekindaid ja tugevaid mittelibisevaid jalatseid, mis kaitseksid jalgu juhu, kui seadmelt kukuks löökamise käigus töödetaale.

Toitepistik tuleb enne toote reguleerimist, määrimist ja hooldamist toitevõrgust lahutada.

Masin peab pistikupessa ühendamisel olema alati väljalülitatud seisundis.

Ärge kunagi puudutage saelehe lähedal olevat pinda, välja arvatud juhul kui leht on täiesti seisma jäänud.

Enne kasutamist kontrollige tööriist põhjalikult üle igasuguste võimalike vigastuste või seadme kulumise tuvastamiseks. Kahjustatud detaile tohib remontida ainult selle ala professionaal.

Kasutage tingimata masina kaitseseadist. Ärge kasutage seadet, kui kaitsemed ei ole korralikult kinnitatud ega tööta õigesti.

Alumise terakaitse tohib avada ainult siis, kui tera langetatakse detailile, ning peab saama alati vabalt liikuda ja automaatselt sulguda..

Kasutage töö ajal detaili toetamiseks alati pikenduslati hoidikuid ja kinnitage need.

Ärge kunagi muutke või muundage saagi ennast või selle funktsiooni. Nii võite vähendada oma turvalisust.

Ärge kasutage mõranenud, kahjustunud või deformeerunud saeteri.

Mitte kasutada kiirlööketerasest valmistatud saelehti.

Kasutage ainult teravaid saekettaid ja -lehti. Vahetage nürid kettad uute vastu välja.

Kasutage alati saekettaid, mille siseava suurus ja kuju on õiged.

Saekettad, mis ei sobi sae võlliga, pöörlevad eksentriliselt ja põhjustavad tööriista väljumise kasutaja kontrolli alt.

Kasutage ainult selles kasutusjuhendis esitatud tootja poolt soovitatud saekettaid, mis vastavad EN 847-1 standardile.

Kasutage saeketta kinnitamiseks ainult neid äärikuid, alusseibe ja mutreid, mis kuuluvad toote varustusse või on esitatud kasutusjuhendis.

Lõigatava materjali jaoks valida välja sobiv saeleht. Ärge kunagi kasutage toodet muude kui siin kasutusjuhendis kirjeldatud materjalide lõikamiseks.

Vältige lööketera ülekuumenemist ning plastist detaili sulamist löökamise ajal.

Pidada kinni saelehele märgitud maksimaalsest pöörete arvust. Kasutage üksnes saetera, millele märgitud kiirus on vähemalt sama suur kui tööriistale märgitud kiirus.

Vahetage välja tööpingi laud, kui see on kulunud või kahjustunud.

Enne tööle asumist ja seadme käivitamist tehke näiline löige, mis aitaks saelehe asendit ning kaitsete toimimist seadme teiste osade ja töödetaalide suhtes kontrollida.

Kald- või liitkaldlõigete teostamisel reguleerige liugtõket, et tagada õige vahemaataraga.

Klamberpiiraja tuleb toote transportimise ajaks alati rakendada.

Pörand tuleb hoida materjalijääkidest, nt saepurust ja jääklotsidest puhas.

Sel ajal, kui seade töötab ja saepea ei ole puhkeasendis, ei tohi saagimisjääke ega materjalitükke saagimispiirkonnast eemaldada!

Pikad materjalid tuleb sobival viisil toetada. Sae tööpiirkond hõlmab kogu detaili ulatust. Operaator peab kindlustama selle ala juhusliku kokku puute eest teiste inimeste ja esemetega, mis võivad detaili töö ajal liigutada.

Töötamisel tekkinud tolm on sageli tervistkahjustav ning ei tohiks organismi sattuda. Kasutage tolmuaärmist ning kandke täiendavalt sobivat tolmukaitsemaski. Kogunenud tolm eemaldage põhjalikult, nt imemisega.

Ärge vahetage LED või laservalguse seadeldist teise tüüpi vastu. Parandustöid tohib teostada ainult tootja või selleks volitatud teenuse pakkuja.

Voolutõuke põhjustavad pingekoikumisi ja võivad mõjutada samasse toiteahelasse ühendatud elektriseadmete tööd. Ühendage seade toitevõrku, mille näivtakistus on 0,3 Ω, et pingekoikumisi minimeerida. Lisateabe saamiseks võtke ühendust oma elektritarbijaga.

## SPETSIAALSED TURVAJUHISED LASER

Käesolevas süsteemis kasutatav laservalgus ja laserkiirus vastavad klassile II, selle maksimaalne jõudlus on  $P \leq 1 \text{ mW}$  ja see on  $\lambda: 650 \text{ nm}$  lainepikkusega. Ärge vaadake optiliste vahenditega otse laserkiirde. Reeglite eiramine võib põhjustada raskeid kehavigastusi.

Ärge jõllitage kiirt, kui töötate masinaga.

Ärge suunake laserkiirt kunagi otse teiste inimeste silmade peale. Laserkiir võib põhjustada raskeid silmakahjustusi.

Ärge seadke laserit asendisse, mis võiks viia selleni, et inimesed kas kogemata või tahtlikult vaatavad laserkiirde.

Ärge kasutage laserkiire vaatamiseks optilisi vahendeid.

Ärge käsitsege laserit laste läheduses, ärge laske lapsi laseriga mängida.

Ärge üritage laserseadet ise parandada.

Ärge üritage laserseadme ühtegi osa ise vahetada.

Parandustöid tohib teostada ainult tootja või selleks volitatud teenuse pakkuja.

Ärge vahetage seadmesse integreeritud laserit välja mõnda teist tüüpi laseri vastu.



## KASUTAMINE VASTAVALT OTSTARBELE

Lükandliit- ja pöördosa on mõeldud täispuit- ja liimpuitplaatide, sh koos või ilma liimitud vineeri, plast- ja puiduvalmistatud materjalide saagimiseks.

Lükandliit- ja pöördosa tohivad käsitseda ainult täiskasvanud, kes on lugendud kasutusjuhendit ning on riskidest ja ohtudest teadlikud.

Lükandliit- ja pöördosa on projekteeritud kinnitatavaks tugeva ja tasase tööpingi alusraamistikuga otsa. Kui alusraam ei ole kinnitatud tugevalt ja kindlalt, võib kogu masin löiketoimingute ajal liikuda paigast, mistõttu võib omakorda tõusta raskete kehavigastuste risk.

Lükandliit- ja pöördosa on mõeldud eeskätt kalserv- ja nurklõigete tegemiseks. Täpsem info, milliseid eri lõiketüüpe masina abil võib teha, leiate käesoleva kasutusjuhendi toote spetsifikatsioonidest.

Lükandliit- ja pöördosa on mõeldud kasutamiseks kuivas, suurepärase ümbritseva valgustuse ja piisava õhutusega kohas.

Lükandliit- ja pöördosa on mõeldud tavakasutuseks ning seda tohib käsitseda sihtotstarbeliselt ülal toodud reeglite järgi; kõik muud kasutusviisid ei ole ette nähtud ja seega mitte lubatud.

## JÄÄKOHUD

Isegi lükandliit- ja pöördosa nõuetekohasel kasutamisel ei ole võimalik täielikult välistada teatud jääkriske. Töötamisel võivad esile kerkida järgmised ohud, mille vältimiseks tuleb masina käsitsejal erilist tähelepanu pöörata:

- Kokkupuuteohut katmata pöörlevate saeketta osade suhtes.
- Toorikud, töödetaidid või nende osad võivad ebaõigese seadistuse või käsitsemise tagajärjel vastu pörkuda.
- Saeketta vigased karbiidhambad võivad välja paiskuda.
- Hingamisteede kahjustusi.

**MÄRKUS:** Kandke alati hingamisteede kaitseks mõeldud filtriga maske, mis sobivad töödeldavate materjalide puhul kasutamiseks.

Tagage töökohas hea õhuvahetus. Ärge sööge, jooge ega suitsetage tööruumis.

Efektiivse kuulmiskaitse puudumine võib põhjustada kuulmiskahjustusi.

## TÄHELEPANU

Teatud värvkatetest ja materjalidest tekkinud tolmu võib põhjustada hingamisteede ärritust ja allergilist reaktsiooni. Puidutolmu, näiteks tamme, pöõgi, MDF-plaadi ning muude materjalide tolmu on kantserogeenne. Asbesti sisaldavaid materjale tohivad käidelda või töödelda ainult selleks volitatud ja kvalifitseeritud spetsialistid.

## TÄHELEPANU

Tööriista pikaajaline kasutamine võib põhjustada või süvendada tervisekahjustusi. Ükskõik millise tööriista pikaajalisel järjekohal kasutamisel tuleb teha regulaarseid pause.

## TUNDKE OMA TOODET

Vt lk A.

- |                         |                               |
|-------------------------|-------------------------------|
| 1. Käepide, haardepind  | 9. Pöördlaua lukustuspid      |
| 2. Käivituslüüti        | 10. Ülemine käepide           |
| 3. Kaitselukustuse hoob | 11. Ülemine kaitse            |
| 4. Väline äärk          | 12. Tolmurenn                 |
| 5. Saetera              | 13. Lineaarvarda lukustusnupp |
| 6. Alumine kaitse       | 14. Klamber                   |
| 7. Fikseeritud juhik    | 15. Kaldnurga lukustushoob    |
| 8. Sälguplaat           | 16. Liugjuhik                 |

- |                                     |                                     |
|-------------------------------------|-------------------------------------|
| 17. Detailihoidik                   | 23. 90° kaldnurga reguleerimisruuvi |
| 18. Pikenduslattu                   | 24. LED-lüüti                       |
| 19. Paigaldusavad 4 x               | 25. Laserlüüti                      |
| 20. Pöördlaud                       | 26. Spindlilukustusnupp             |
| 21. Faasiskaala                     | 27. Lõikesügavuse reguleerimisplaat |
| 22. 45° kaldnurga reguleerimisruuvi | 28. Lõikesügavuse reguleerimisnupp  |

## ASENDUSLOEND

- PS 216 L: Nurgasaag EN 847-1/ø216 x ø30 x 2,4 / 48T / HW / n max 7000 min-1 (lk A: No. 5)
- PS 254 L: Nurgasaag EN 847-1/ø254 x ø30 x 2,6 / 48T / HW / n max 7400 min-1 (lk A: No. 5)
- KSälguplaat (lk A: No. 8)

## VÕRKU ÜHENDAMINE

Ühendage ainult ühefaasilise vahelduvvooluga ning ainult andmesiltdil toodud võrgupingega. Ühendada on võimalik ka kaitsekontaktita pistikupesadesse, kuna nende konstruktsioon vastab kaitseklassile II.

Välitingimustes asuvad pistikupesad peavad olema varustatud rikkevoolukaitselülititega (FI, RCD, PRCD). Seda nõutakse Teie elektriseadme installeerimiseeskirjas. Palun pidage sellest meie seadme kasutamisel kinni.

Masin peab pistikupesasse ühendamisel olema alati väljalülitatud seisundis.

Hoidke ühendusjuhe alati masina tööpiirkonnast eemal. Vedage juhe alati masinast tahapoole.

Enne iga kasutamist kontrollige seadet, ühendusjuhtmeid, akupaketi pikendusjuhtmeid ja pistikuid, et poleks kahjustusi ega materjali väsimist. Kahjustatud osi laske parandada ainult spetsialistil.

Voolutõuke põhjustavad pingekoikumisi ja võivad mõjutada samasse toiteahelasse ühendatud elektriseadmete tööd. Ühendage seade toitevõrku, mille näivtakistus on 0,3 Ω, et pingekoikumisi minimeerida.

Lisateabe saamiseks võtke ühendust oma elektritarbijaga.

## HOOLDUS

Ärge modifitseerige saagi mitte ühelgi viisil või kasutage varikuid, mis ei ole tootja poolt heakskiidetud. Nii võite vähendada nii oma kui ka teiste turvalisust.

Ärge kasutage saagi, kui sae mis tahes lülitid, kaitsmed või funktsioonid ei tööta nii nagu ette nähtud. Pöörduge volitatud teeninduskeskuse poole professionaalse paranduse ja seadistuse tagamiseks.

Ärge kohandage ega muutke masina seadistust, kui saeketas töötab või veel pöörleb.

Toitepistik tuleb enne toote reguleerimist, määrimist ja hooldamist toitevõrgust lahutada.

Kontrollige saagi enne ja pärast selle käsitsemist, et tuvastada masina osade võimalikke kahjustusi ning hoida saag suurepärase töökorras, vahetades vigased osad viivitamatult tootja poolt heakskiidetud varuosade vastu välja.

Saeketas on pärast masinaga töötamist väga kuum, kandke kaitsekindaid ja laske masinal enne hooldamist ja puhastamist jahutada.

Pühkige kogunenud tolmu ära harja või tolmuimejaga. Ärge kasutage sasuõhku.



Est

Ohutuse ja töökindluse tagamiseks tohib masinat parandada, sh harjaseid vahetada, ainult selleks volitatud teeninduskeskus. Puhastage seadet ja kaitseosadist kuiva lapiga.

Hoidke masina õhutuspidul alati puhtad.

Kui on vaja vahetada toitejuhet, peab ohutuse tagamise raames seda tegema tootja või tema agent.

Kasutage ainult AEG tarvikuid ja tagavaraosi. Detailid, mille väljavahetamist pole kirjeldatud, laske välja vahetada AEG kliendi-teeninduspunktis (vaadake brošüüri garantii / klienditeeninduste aadressid).

Vajaduse korral võite tellida seadme läbilõikejoonise, näidates ära masina tüüpi ja andmesildil oleva numbriga. Selleks pöörduge klienditeeninduspunkti või otse: Techtronic Industries GmbH, Max-Eyth-Straße 10, 71364 Winnenden, Germany.

## EÜ VASTAVUSAVALDUS

Kinnitame oma ainuvastutust, et „Tehniliste andmete“ all kirjeldatud toode vastab direktiivide kõigile asjakohastele sätetele

2011/65/EU (RoHS)

2006/42/EÜ

2014/30/EU

ning täidetud on järgmiste ühtlustatud standardite nõuded.

EN 62841-1:2015

EN 62841-3-9:2015+A11:2017

EN 55014-1:2017

EN 55014-2:2015

EN 61000-3-2:2014

EN 61000-3-11:2000

EN IEC 63000:2018



Winnenden, 2019-03-08

Alexander Krug / Managing Director  
On volitatud koostama tehnilist dokumentatsiooni.

Techtronic Industries GmbH  
Max-Eyth-Straße 10, 71364 Winnenden, Germany

## SÜMBOLID



ETTEVAATUST! TÄHELEPANU! OHUD!



Enne kõiki töid masina kallal tõmmake pistik pistikupesast välja.



TÄHELEPANU-Vigastusohu vähendamiseks peab kasutaja lugema läbi juhendi!



Masinaga töötades kandke alati kaitseprille.



Kandke kaitseks kõrvaklappe!



Kanda kaitsekindaid!



Mitte kunagi ei tohi panna käsi saeketta piirkonda.



Seade sobib ainult ruumides kasutamiseks, ärge jätke seadet vihma kätte.



Tolmurenni ühenduse port



Lõigake ainult puitu.



Ärge vaadake laserkiirde.



See toode vastab laseri klassile 2 standardi EN 60825-1:2014 alusel.



Saelehe  $\phi$  x puuri  $\emptyset$



Pöörlemisuund



Saelehe hambad



Lõikelaius



$n_0$  Pöörlemiskiirus tühijooksul



V Voltaaž



Vahelduvvool



Kaitseklassi II elektritööriist. Elektritööriist, mille puhul ei sõltu kaitse mitte üksnes baasisolatsioonist, vaid ka täiendavate kaitsemeetmete nagu topeltisolatsiooni või tugevdatud isolatsiooni kohaldamisest.



Mehhanism kaitsejuhi ühendamiseks puudub. Elektriseadmeid ei tohi utiliseerida koos majapidamisprügiga. Elektrilised ja elektroonilised seadmed tuleb eraldi kokku koguda ning keskkonnasõbralikuks utiliseerimiseks vastavas käitlusettevõttes ära anda. Küsige kohalikest pädevatest ametitest või edasimüüjalt käitlusjaamade ja kogumispunktide kohta järele.



Euroopa vastavusmärk



Ukraina vastavusmärk



Euraasia vastavusmärk

Eesti

ТЕХНИЧЕСКИЕ ДАННЫЕ	PS 216 L	PS 254 L
<b>Торцовочная пила *</b>		
Серийный номер изделия	4699 98 01 ... ... 000001-999999	4699 99 01 ... 4740 22 01 ... ... 000001-999999
Номинальная потребляемая мощность	220-240 V, 50 HZ, 1400W, 6,5 A	220-240 V, 50 HZ, 1800W, 8,7 A
Число оборотов без нагрузки	5000 min <sup>-1</sup>	4500 min <sup>-1</sup>
Диаметр диска пилы x диаметр отверстия	216 x 30 mm	254 x 30 mm
Толщина диска пилы макс.	1,6 mm	1,8 mm
Толщина зубца пилы мин.	2,4 mm	2,6 mm
Ноперечное сечение заготовки макс. Скос 0°/ Наклон 0° Скос 45°/ Наклон 0° Скос 0°/ Наклон 45° Скос 45°/ Наклон 45°	65 x 305 mm 65 x 215 mm 36 x 305 mm 36 x 215 mm	90 x 305 mm 90 x 215 mm 50 x 305 mm 50x 215 mm
Вес согласно процедуре EPTA 01/2014	16,7 kg	19,6 kg
<b>Информация по шумам</b> Значения замерялись в соответствии со стандартом EN 62841. Уровень шума прибора, определенный по показателю A, обычно составляет:		
Уровень звукового давления (Небезопасность K=3dB(A))	99,27 dB (A)	95,15 dB (A)
Уровень звуковой мощности (Небезопасность K=3dB(A))	112,27 dB (A)	108,15 dB (A)
<b>Пользуйтесь приспособлениями для защиты слуха.</b>		

\*PS ≙ Торцовочная пила

## ВНИМАНИЕ!

Заявленные значения шумового излучения были измерены согласно стандартизированному методу испытания EN 62841-1 и EN 62841-3-9 и могут использоваться для сравнения одного инструмента с другим. Заявленные значения шумового излучения могут также использоваться для предварительной оценки воздействия на организм человека.

Значения шумового излучения при фактическом использовании электроприводного инструмента могут отличаться от заявленных значений в зависимости от способа использования инструмента, а в особенности — от типа обрабатываемой детали.

Для защиты оператора определите меры безопасности, основываясь на оценке вероятности взрыва в реальных условиях использования (с учетом всех частей рабочего цикла, таких как время выключения инструмента и время его работы вхолостую, в дополнение ко времени срабатывания).

Используйте наушники! Воздействие шума может привести к потере слуха.

**⚠ ВНИМАНИЕ** Ознакомьтесь с правилами техники безопасности, техническими регламентами, изображениями и данными, прилагаемыми к устройству.

При несоблюдении нижеследующих указаний возможно поражение электротоком, возникновение пожара и/или получение серьезных травм.

**Сохраняйте эти инструкции и указания для будущего использования.**

### ⚠ ИНСТРУКЦИЯ ПО БЕЗОПАСНОЙ ЭКСПЛУАТАЦИИ ТОРЦОВОЧНОЙ ПИЛЫ

**а) Торцовочные пилы предназначены для разрезания дерева или имитаций дерева и не должны использоваться с абразивными отрезными кругами для резки черного металла, например, стержневой арматуры, прутков, штырей и т.п.** Из-за абразивной пилы движущиеся части, такие как нижний защитный кожух, могут застревать. Искры, образующиеся во время абразивного отрезания, будут нагревать нижний защитный кожух, направляющую вставку и другие пластиковые детали.

**б) Для удержания заготовки на месте по возможности используйте зажимы.** Если вы придерживаете заготовку рукой, постоянно следите за тем, чтобы рука находилась не ближе 100 мм от края полотна пилы. **Не используйте эту пилу для резки предметов, размер которых слишком мал для того, чтобы надежно закрепить их зажимами или придержать рукой.** Если ваша рука окажется слишком близко к лезвию пилы, то риск получения травмы от соприкосновения с лезвием будет выше.

**с) Заготовка должна быть закреплена неподвижно и удерживаться зажимами, либо держаться перпендикулярно направляющей и столу.** Не «втапливайте» заготовку в лезвие и не отходите от шаблона резки. Незакрепленные или движущиеся заготовки могут с высокой скоростью отскочить и вызвать травму.



**д) С усилием проталкивайте пилу через заготовку, не тяните. Для выполнения разреза поднимите головку пилы и установите ее над заготовкой, ничего не разрезая. Затем включите двигатель, прижмите головку пилы книзу и с усилием проталкивайте ее через заготовку. Если вы будете тянуть, а не проталкивать пилу через заготовку, то лезвие пилы может задраться вверх заготовки, а режущий блок на большой скорости полетит в оператора.**

**е) Ни в коем случае не кладите руку на намеченную линию разреза — ни спереди, ни позади лезвия пилы. Очень опасно поддерживать заготовку руками «крест-накрест», т.е. держать заготовку справа от лезвия пилы левой рукой и наоборот.**

**ф) Во время вращения лезвия не пытайтесь смахнуть опилки рукой или поместить руку в область за направляющей на расстоянии ближе, чем 100 мм от любого края лезвия пилы. Вы можете не заметить, как рука окажется вблизи лезвия пилы, и получить серьезную травму.**

**г) Перед тем как приступить к разрезанию, осмотрите заготовку. Если она искривлена или деформирована, прижмите ее внешней искривленной поверхностью к направляющей. Обязательно убедитесь в отсутствии зазора между заготовкой, направляющей и столом по линии разрезания. Согнутые или деформированные заготовки могут перевернуться или сместиться, вызвав зажим лезвия пилы во время вращения. В заготовке не должно быть гвоздей или посторонних объектов.**

**h) Не включайте пилу, не убрав со стола все инструменты, опилки и т.п. На столе не должно быть ничего, кроме заготовки. Мелкий мусор, куски древесины и другие предметы, попавшие на лезвие пилы во время ее вращения, могут отлететь с высокой скоростью.**

**и) Одновременно можно обрабатывать только одну заготовку. Несколько заготовок в одном штабеле невозможно надлежащим образом зажать или закрепить; они могут затруднить работу лезвия или сместиться во время процесса резки.**

**j) Перед началом работы убедитесь, что торцовочная пила установлена или размещена на ровной, прочной рабочей поверхности. Ровная и прочная рабочая поверхность снижает риск потери торцовочной пилой устойчивости.**

**к) Спланируйте ход своей работы. При каждой смене угла наклона или скоса проверяйте правильность расположения регулируемой направляющей: она должна поддерживать заготовку и не мешать лезвию и системе защитных кожухов в соответствии со стандартом. При выключенном инструменте и без заготовки на столе проверните лезвие по полному воображаемому кругу разреза, чтобы убедиться в отсутствии мешающих объектов и риска разреза направляющей.**

**l) Если заготовка шире или длиннее, чем верхняя поверхность стола, установите удлинителя стола, пильные козлы и т.п. Без надлежащей поддержки заготовки длиннее или шире стола торцовочной пилы могут опрокинуться. В случае опрокидывания отрезанного бруска или заготовки нижней защитный кожух может задраться или упасть на вращающееся лезвие.**

**m) Не используйте вместо удлинителя стола или дополнительной поверхности помощь другого человека. Недостаточная поддержка заготовки может привести к сгибанию лезвия или смещению заготовки во время резки, вследствие чего вы и помогающий вам человек можете упасть на вращающееся лезвие.**

**n) Не нужно каким бы то ни было образом прижимать или придавливать отрезаемый брусок к вращающемуся лезвию пилы. Брусок, прижимаемый, например, упорными линейками, может застрять в лезвии и внезапно отскочить.**

**o) Обязательно используйте зажим или крепеж, специально предназначенный для надлежащей поддержки материалов с круглым сечением, таких как прутки или трубы. Прутки могут перекатыться во время резки, что заставляет лезвие «захватывать» металл и затягивать его вместе с вашей рукой.**

**p) Перед соприскосовением с заготовкой дождитесь, когда лезвие наберет полную скорость. Это снижает риск разрыва заготовки.**

**q) Если заготовка застряла в лезвии, выключите торцовочную пилу. Дождитесь, пока все вращающиеся детали остановятся, и выньте вилку из розетки и/или выньте аккумулятор. Затем высвободите застрявший материал. Если вы продолжите процесс разрезания с застрявшей заготовкой, то можете потерять контроль над работой пилы или повредить пилу.**

**r) Закончив разрез, выключите пилу, направьте головку пилы вниз и дождитесь остановки лезвия, после чего удалите отрезанный брусок. Нахождение руки вблизи вращающегося по инерции лезвия является опасным.**

**s) Выполняя неполный разрез или выключая пилу до полного опускания ее головки, держите рукоятку крепко. Срабатывание тормозной системы пилы может вызвать внезапное опускание ее головки, что чревато травмой.**

#### **ЛЕЗВИЕ ДЛЯ РАЗРЕЗАНИЯ ДРЕВЕСИНЫ РЕКОМЕНДАЦИИ ПО ТЕХНИКЕ БЕЗОПАСНОСТИ**

Перед использованием лезвия пилы и станка в целом внимательно прочтите настоящее руководство и инструкции. Станок должен быть в хорошем состоянии, шпиндель должен быть не поврежден и вращаться без вибрации.

Не используйте пилу, если защитные щитки не установлены, поддерживайте защитные щитки в надлежащем состоянии и выполняйте необходимое обслуживание.

Убедитесь в том, что оператор прошел надлежащее обучение по технике безопасности, настройке и эксплуатации станка.

При использовании станка всегда носите защитные очки и средства защиты слуха. Рекомендуется носить перчатки, прочную нескользящую обувь и фартук.



Перед использованием вспомогательных принадлежностей см. соответствующие инструкции в руководстве. Неправильное использование вспомогательных принадлежностей может стать причиной повреждения оборудования и повышает риск ранения.

Используйте только лезвия, указанные в настоящем руководстве и соответствующие стандарту EN 847-1.

Соблюдайте максимальную скорость вращения, указанную на лезвии пилы. Убедитесь в том, что скорость, указанная на лезвии пилы, как минимум равна скорости, указанной на пиле.

Всегда применяйте пыльные полотна с правильными размерами и соответствующим отверстием кожухом.

Не используйте лезвия с диаметром больше или меньше рекомендованного. Для установки лезвия на шпиндель не используйте какие-либо распорки.

Перед каждым использованием проверяйте зубцы лезвия на наличие повреждений или отклонений от нормы. Поврежденные или надломленные зубцы могут отлететь во время работы и повышают риск ранения.

Не используйте треснувшие или погнутые полотна пилы. Не используйте поврежденные или деформированные пыльные диски.

Если лезвие пилы повреждено, деформировано, искривлено или имеет трещины, утилизируйте его; ремонт не допускается. Не применяйте какие-либо пыльные диски из быстрорежущей стали.

Убедитесь в том, что лезвие пилы установлено правильно. Перед использованием надежно затягивайте гайку на opravке (усилие затяжки прибл. 12 Н·м).

Затягивайте крепежные винты и гайки с помощью подходящего гаечного ключа или аналогичного инструмента.

Удлинение гаечного ключа или затяжка ударами молотка не допускаются.

Убедитесь в том, что лезвие и фланцы имеют чистую поверхность и что утопленные стороны обруча прижаты к лезвию.

Убедитесь в том, что лезвие вращается в правильном направлении.

Перед работой сделайте тренировочный разрез с включенным двигателем, чтобы проверить заготовку, положение лезвия и работу защитных устройств с учетом других деталей станка.

Ни в коем случае не оставляйте машину без присмотра.

Не наносите на лезвие смазку, когда оно вращается.

Ни в коем случае не проводите работы по очистке и техобслуживанию, если станок еще работает и головка не установлена в положение выключения.

Ни в коем случае не пытайтесь остановить работающий станок, прижав инструмент или что-либо иное к лезвию, это может привести к несчастным случаям.

Перед сменой лезвий или проведением техобслуживания отключайте пилу от электропитания или извлекайте аккумуляторную батарею.

Будьте внимательны при распаковке и запакровке лезвия, вы можете легко пораниться острыми зубцами лезвия.

При съеме или установке лезвия пилы используйте приспособление для крепления лезвия или носите перчатки.

Храните лезвие в оригинальной или другой подходящей упаковке в сухом помещении вдали от химических веществ, которые могут повредить лезвие.

## ДОПОЛНИТЕЛЬНЫЕ УКАЗАНИЯ ПО БЕЗОПАСНОСТИ И РАБОТЕ

Всегда фиксируйте заготовку надежным и безопасным образом.

Удостоверьтесь в том, что машина всегда имеет надежное положение (например, закреплена на верстаке)..

Используйте наушники! Воздействие шума может привести к потере слуха.

Работать с инструментом всегда в защитных очках. При работе с лезвиями и грубыми материалами рекомендуется носить перчатки, а также прочную нескользящую обувь, которая защищает ступни в случае падения рабочей заготовки из области разрезания.

Перед настройкой, смазыванием или проведением любых операций по техобслуживанию продукта обязательно извлекайте вилку питания из розетки электросети.

Вставляйте вилку в розетку только при выключенном инструменте.

Ни в коем случае не протягивайте руку по направлению к лезвию до его полной остановки.

Перед использованием всегда тщательно проверяйте инструмент на наличие повреждений или признаков износа материала. Ремонт поврежденных деталей может выполнять только специалист сервисного центра

Всегда пользуйтесь защитной крышкой на инструменте. Не используйте станок, если защитные щитки не установлены или не работают надлежащим образом.

Открывайте нижний защитный щиток лезвия только в том случае, если лезвие опущено и опирается на заготовку. Щиток должен всегда перемещаться свободно и автоматически закрываться..

Для поддержки заготовки во время эксплуатации всегда фиксируйте заготовку и используйте держатели удлинительной планки.

Ни в коем случае не подвергать пилу или ее функциональные элементы изменениям или модификациям. Это может повлиять на вашу безопасность.

Не используйте лезвия пилы, если они повреждены, деформированы или имеют трещины.

Не применяйте какие-либо пыльные диски из быстрорежущей стали.

Используйте только острые лезвия пилы. Заменяйте затупленные лезвия новыми.

Всегда применяйте пыльные полотна с правильными размерами и соответствующим отверстием кожухом.

Используйте только лезвия для деревообработки, указанные в настоящем руководстве и соответствующие стандарту EN 847-1.

Для крепления лезвия пилы используйте только те фланцы, шайбы и гайки, которые входят в комплект поставки или указаны в настоящем руководстве.

Выберите пригодное для разрезаемого материала пыльное полотно. Ни в коем случае не используйте продукт для разрезания материалов, не указанных в разделе «Целевое назначение» настоящего руководства.

Важно избегать перегрева лезвия и расплавления пластиковой заготовки во время разрезания.



Соблюдайте максимальное число оборотов, указанное на пильном диске. Используйте только лезвие пыли, предназначенное для скорости вращения (см. маркировку), равной указанной на инструменте скорости вращения, или выше.

Заменяйте пластину для пропила в случае износа или повреждения.

Перед работой сделайте тренировочный разрез с включенным двигателем, чтобы проверить заготовку, положение лезвия и работу защитных устройств с учетом других деталей станка.

При выполнении срезов под углом в сорок пять градусов, скосов кромки или сложных наклонных срезов отрегулируйте скользящий ограничитель, чтобы установить необходимый зазор до лезвия.

При транспортировке продукта обязательно задействуйте стопор крышестейна.

Удаляйте с пола остатки материала, например, опилки и стружку.

Не удаляйте остатки стружки или иные части заготовок из области распиловки, если машина работает, а планшайба круглой пыли не находится в нейтральном положении.

Длинные заготовки соответственно подоприте. К рабочей области пыли относится вся поверхность заготовки. Оператор должен оградить эту область, предотвратив контакт других лиц с заготовкой и защитив ее от объектов, которые могут переместить заготовку во время эксплуатации.

Пыль, образующаяся при работе с данным инструментом, может быть вредна для здоровья и попасть на тело. Пользуйтесь системой пылеудаления и надевайте подходящую защитную маску. Тщательно убирайте скапливающуюся пыль (напр. пылесосом).

Не заменяйте светодиод или лазер устройствами другого типа. Все ремонтные работы должны выполняться производителем или уполномоченным представителем по обслуживанию.

Резкое увеличение нагрузки приводит к флуктуации напряжения, что может повлиять на работу других электроприборов, подключенных к данной линии питания. Подключите устройство к источнику питания с полным сопротивлением, равным 0,3 Ω, для минимизации колебаний напряжения. За подробными разъяснениями обращайтесь к поставщику электроэнергии.

#### РЕКОМЕНДАЦИИ ПО ТЕХНИКЕ БЕЗОПАСНОСТИ ЛАЗЕР

Лазерное излучение, используемое в настоящей пиле, относится к классу II при максимальной мощности  $P \leq 1$  мВт и длине волны λ: 650 нм. Не рассматривайте луч непосредственно с помощью оптических приборов. Несоблюдение этих правил может привести к серьезному ранению.

Не смотрите в луч во время работы.

Не направляйте лазерный луч непосредственно в глаза другим людям. Это может привести к поражению глаз.

Не располагайте лазер таким образом, при котором кто-либо может случайно или умышленно посмотреть в лазерный луч.

Не используйте оптические приборы, чтобы рассматривать лазерный луч.

Не работайте с лазером вблизи детей и не позволяйте детям эксплуатировать лазерное устройство.

Не пытайтесь самостоятельно отремонтировать лазерное устройство.

Не пытайтесь самостоятельно заменять какие-либо детали лазерного устройства.

Все ремонтные работы должны выполняться производителем или уполномоченным представителем по обслуживанию.

Не меняйте встроенный лазер на лазер другого типа.

#### ИСПОЛЬЗОВАНИЕ

Передвижная композитная торцевая пила предназначена для распиливания цельной древесины или связанных деревянных заготовок с приклеенным фанерным слоем или без него, для распиливания пластика и материалов, аналогичных древесине.

Передвижная композитная торцевая пила предназначена для использования исключительно взрослыми операторами, ознакомленными с настоящим руководством и понимающими риски и опасности.

Передвижная композитная торцевая пила предназначена для крепления за основание к неразборной столешнице. Если основание не закреплено надлежащим образом, весь станок может перемещаться во время операций резания, что повышает возможность ранения.

Передвижная композитная торцевая пила предназначена для выполнения косых и угловых срезов. Режущая способность для разных срезов приведена в спецификации продукта в настоящем руководстве.

Передвижная композитная торцевая пила предназначена для использования в сухих помещениях с хорошим общим освещением и надлежащей вентиляцией.

Передвижная композитная торцевая пила предназначена для использования конечным потребителем и только описанным выше образом; запрещено использовать пилу для любой другой цели.

#### ОСТАТОЧНЫЕ ОПАСНОСТИ

Даже в том случае, если передвижная композитная торцевая пила используется согласно инструкциям, невозможно полностью исключить определенные остаточные факторы риска. Могут возникнуть указанные ниже опасности, и оператор должен обращать особое внимание, чтобы избежать их.

- Риск контакта с незакрытыми частями вращающегося лезвия пыли.
- Обратный удар от рабочих заготовок или их частей вследствие неправильной регулировки или ненадлежащего обращения.
- Выбрасывание сломанных карбидных зубцов от лезвия пыли.
- Возможное повреждение дыхательной системы.

**ПРИМЕЧАНИЕ:** Носите защитные респираторные маски с фильтрами, соответствующими обрабатываемым материалам. Обеспечьте надлежащую вентиляцию рабочей области. Не употребляйте еду и напитки, не курите в рабочей области. При отказе от использования эффективных средств защиты слуха возможно повреждение органов слуха.

#### ВНИМАНИЕ

Пыль от некоторых видов красок, покрытий и материалов может вызвать раздражение или аллергическую реакцию органов дыхания. Пыль от таких материалов, как дуб, бук, МДФ и т.п., имеет канцерогенные свойства. Работа с асбесто содержащим материалом и его обработка могут выполняться только квалифицированными специалистами.

## ВНИМАНИЕ

Травмы также могут быть вызваны или усугублены использованием инструмента в течение чрезмерно продолжительного времени. Если вы используете какой-либо инструмент слишком долго, делайте регулярные перерывы.

## ИЗУЧИТЕ СВОЙ ПРОДУКТ

См. страницу А.

- |  |  |
|--|--|
| 1. Рукоятка, изолированная поверхность захвата | 15. Рычаг блокировки угла наклона        |
| 2. Кнопка переключения                         | 16. Скользящая направляющая              |
| 3. Рычаг предохранительной блокировки          | 17. Держатель заготовки                  |
| 4. Внешний фланец                              | 18. Удлинительная планка                 |
| 5. Лезвие пилы                                 | 19. Монтажные отверстия x4               |
| 6. Нижний защитный элемент                     | 20. Поворотный стол                      |
| 7. Фиксированная направляющая                  | 21. Шкала скоса                          |
| 8. Пластина пропила                            | 22. Винт регулировки угла наклона 45°    |
| 9. Рукоятка блокировки поворота стола          | 23. Винт регулировки угла наклона 90°    |
| 10. Верхняя рукоятка                           | 24. Выключатель светодиодного освещения  |
| 11. Верхний защитный элемент                   | 25. Выключатель лазера                   |
| 12. Воронка для пыли                           | 26. Кнопка блокировки шпинделя           |
| 13. Ручка остановки прямого стержня            | 27. Пластина регулировки глубины разреза |
| 14. Зажим                                      | 28. Ручка регулировки глубины разреза    |

## ПЕРЕЧЕНЬ ЗАПАСНЫХ ДЕТАЛЕЙ

- PS 216 L: Торцовочная пила EN 847-1/ ø216 x ø30 x 2,4 / 48T / HW / n макс. 7000 min<sup>-1</sup> (страницу А: No. 5)
- PS 254 L: Торцовочная пила EN 847-1/ ø254 x ø30 x 2,6 / 48T / HW / n макс. 7400 min<sup>-1</sup> (страницу А: No. 5)
- КПластина пропила (страницу А: No. 8)

## ПОДКЛЮЧЕНИЕ К ЭЛЕКТРОСЕТИ

Подсоединять только к однофазной сети переменного тока с напряжением, соответствующим указанному на инструменте. Электроинструмент имеет второй класс защиты, что позволяет подключать его к розеткам электропитания без заземляющего вывода.

Электроприборы, используемые во многих различных местах, в том числе на открытом воздухе, должны подключаться через устройство, предотвращающее резкое повышение напряжения (FI, RCD, PRCD).

Вставляйте вилку в розетку только при выключенном инструменте.

Держите силовой провод вне рабочей зоны инструмента. Всегда прокладывайте кабель за спиной.

Перед включением проверьте инструмент, кабель и вилку на предмет повреждений или износа. Ремонт может производиться только уполномоченными Сервисными центрами

Резкое увеличение нагрузки приводит к флуктуации напряжения, что может повлиять на работу других электроприборов, подключенных к данной

линии питания. Подключите устройство к источнику питания с полным сопротивлением, равным 0,3 Ω, для минимизации колебаний напряжения.

За подробными разъяснениями обращайтесь к поставщику электроэнергии.

## ОБСЛУЖИВАНИЕ

Не вносите какие-либо модификации в конструкцию пилы и не используйте принадлежности, не утвержденные производителем. Это может повлиять на вашу безопасность и безопасность в других людей.

Не используйте пилу, если какие-либо выключатели, защитные щитки или другие функциональные элементы не работают надлежащим образом. Верните оборудование в уполномоченный центр обслуживания для профессионального ремонта или настройки.

Не выполняйте какие-либо настройки, когда лезвие пилы находится в движении.

Перед настройкой, смазыванием или проведением любых операций по техобслуживанию продукта обязательно извлекайте вилку питания из розетки электросети.

Перед каждым использованием и после него проверяйте пилу на наличие повреждений или сломанных деталей и поддерживайте ее в надлежащем рабочем состоянии, немедленно заменяя детали запчастями, утвержденными производителем.

После использования лезвие имеет очень высокую температуру, перед выполнением операций по техобслуживанию или очистке надевайте перчатки.

Удаляйте скопившуюся пыль щеткой или пылесосом. Не используйте сжатый воздух.

Для обеспечения безопасности и надежности все ремонтные работы, включая замену щеток, необходимо выполнять в уполномоченном центре обслуживания.

Очищать прибор и защитное устройство с помощью сухой салфетки.

Всегда держите охлаждающие отверстия чистыми.

Если требуется замена шнура питания, во избежание угроз безопасности она должна осуществляться производителем или его представителем.

Пользуйтесь аксессуарами и запасными частями только фирмы АЕГ. В случае возникновения необходимости в замене, которая не была описана, пожалуйста, обращайтесь на один из сервисных центров (см. список наших гарантийных/сервисных организаций).

При необходимости может быть заказан чертеж инструмента с трехмерным изображением деталей. Пожалуйста, укажите номер и тип инструмента и закажите чертеж у Ваших местных агентов или непосредственно у Techtronic Industries GmbH, Max-Eyth-Strasse 10, 71364 Winnenden, Germany.



## ДЕКЛАРАЦИЯ О СООТВЕТСТВИИ СТАНДАРТАМ ЕС

Мы несем исключительную ответственность за то, что изделие, описанное в разделе «Техническая информация» соответствует всем применимым положениям директив

2011/65/EU (RoHS)  
2006/42/EC  
2014/30/EU

а также следующим согласованным стандартам

EN 62841-1:2015  
EN 62841-3-9:2015+A11:2017  
EN 55014-1:2017  
EN 55014-2:2015  
EN 61000-3-2:2014  
EN 61000-3-11:2000  
EN IEC 63000:2018



Winnenden, 2019-03-08

Alexander Krug / Managing Director  
Уполномочен на составление технической документации.

Techtronic Industries GmbH  
Max-Eyth-Straße 10, 71364 Winnenden, Germany

## СИМВОЛЫ



**ВНИМАНИЕ! ПРЕДУПРЕЖДЕНИЕ! ОПАСНОСТЬ!**



Перед выполнением каких-либо работ по обслуживанию инструмента всегда вынимайте вилку из розетки.



**ВНИМАНИЕ!** Для снижения риска травмирования пользователь должен прочесть инструкцию!



При работе с инструментом всегда надевайте защитные очки.



Пользуйтесь приспособлениями для защиты слуха.



Надевать защитные перчатки!



Никогда не протягивайте руки в область пильного полотна.



Устройство может использоваться только внутри помещений. Не допускается оставлять устройство под дождем.



Воронка для пыли порт подключения



Изделие предназначено только для разрезания древесины.



Не смотреть на лазерный луч.



Продукт соответствует классу лазера 2 согласно EN 60825-1:2014.



Диаметр диска пилы х диаметр отверстия



Направление вращения



Зубья лезвия



Ширина разреза

**n<sub>0</sub>**

Число оборотов без нагрузки

**V**

Напряжение



Переменный ток



Электроинструмент с классом защиты II. Электроинструмент, в котором защита от электрического удара зависит не только от основной изоляции, но и от того, что принимаются дополнительные защитные меры, такие как двойная изоляция или усиленная изоляция.



Нет устройства для подключения защитного провода. Электрические устройства нельзя утилизировать вместе с бытовым мусором. Электрические и электронные устройства следует собирать отдельно и сдавать в специализированную утилизирующую компанию для утилизации в соответствии с нормами охраны окружающей среды. Сведения о центрах вторичной переработки и пунктах сбора можно получить в местных органах власти или у вашего специализированного дилера.



Европейский знак соответствия



Украинский знак соответствия

Сертификат Соответствия  
No. TC RU C-DE гп86, В,00224

Срок действия Сертификата Соответствия  
по 23.06.2020



000 «Ручные электрические машины. Сертификация»  
141400, Россия, Московская область, Химки, ул.  
Ленинградская, дом 29

## Транспортировка:

Категорически не допускается падение и любые механические воздействия на упаковку при транспортировке.

При разгрузке/погрузке не допускается использование любого вида техники, работающей по принципу зажима упаковки.

## Хранение:

Необходимо хранить в сухом месте.

Необходимо хранить вдали от источников повышенных температур и воздействия солнечных лучей.

При хранении необходимо избегать резкого перепада температур.

Хранение без упаковки не допускается.

## Срок службы изделия:

Срок службы изделия составляет 5 лет.

Не рекомендуется к эксплуатации по истечении 5 лет хранения с даты изготовления без предварительной проверки.

Русский



**Дата изготовления** (код даты)

отштампован на поверхности корпуса изделия.

Пример:

A2015, где 2015 - год изготовления

A – месяц изготовления

Определить месяц изготовления можно согласно приведенной ниже таблице.

A - Январь	G - Июль
B - Февраль	H - Август
C - Март	J - Сентябрь
D - Апрель	K - Октябрь
E - Май	L - Ноябрь
F - Июнь	M - Декабрь

Тектроник Индастриз ГмбХ  
Германия, 71364, Винненден,  
ул. Макс-Ай-Штрассе, 10  
Сделано в КНР



ТЕХНИЧЕСКИ ДАННИ	PS 216 L	PS 254 L
Производствен номер	4699 98 01 ... ... 000001-999999	4699 99 01 ... 4740 22 01 ... ... 000001-999999
Номинална консумирана мощност	220-240 V, 50 HZ, 1400W, 6,5 A	220-240 V, 50 HZ, 1800W, 8,7 A
Обороти на празен ход	5000 min <sup>-1</sup>	4500 min <sup>-1</sup>
Ø на режещия диск x Ø на отвора	216 x 30 mm	254 x 30 mm
Дебелина на тялото на циркулярния диск макс.	1,6 mm	1,8 mm
Дебелина на зъбите на циркулярния диск мин.	2,4 mm	2,6 mm
Макс. капацитет на рязане Наклон хоризонтално 0°/ Наклон вертикално 0° Наклон хоризонтално 45°/ Наклон вертикално 0° Наклон хоризонтално 0°/ Наклон вертикално 45° Наклон хоризонтално 45°/ Наклон вертикално 45°	65 x 305 mm 65 x 215 mm 36 x 305 mm 36 x 215 mm	90 x 305 mm 90 x 215 mm 50 x 305 mm 50 x 215 mm
Тегло съгласно процедурата EPTA 01/2014	16,7 kg	19,6 kg
<b>Информация за шума</b> Измерените стойности са получени съобразно EN 62841. Оцененото с А ниво на шума на уреда е съответно: Равнище на звуковото налягане (Несигурност K=3dB(A)) Равнище на мощността на звука (Несигурност K=3dB(A)) <b>Да се носи предпазно средство за слуха!</b>	99,27 dB (A) 112,27 dB (A)	95,15 dB (A) 108,15 dB (A)

\*PS ≙ Циркуляр с циркулярни диска режещи под ъгъл "Mitresaw" \*

## ВНИМАНИЕ!

Декларираните стойности на шумови емисии са измерени в съответствие със стандартните методи на изпитване EN 62841-1 и EN 62841-3-9 и могат да се използват за сравняване на един инструмент с друг. Декларираните стойности на шумови емисии могат също така да се използват и за предварителна оценка на излагането на вредни въздействия.

Възможно е шумовите емисии по време на реално използване на електрическия инструмент да се различават от декларираните стойности в зависимост от начините на използване на инструмента, особено в зависимост от типа работен детайл.

Уточнете мерките за безопасност за защита на оператора, които са базирани на преценка на излагането на риск при действителните условия на ползване (като се вземат предвид всички етапи на работния цикъл, като напр. времето, през което инструментът е изключен и през което работи на празен ход, освен пусковото време).

Носете средство за защита на слуха. Шумът може да доведе до загуба на слуха.

**▲ ВНИМАНИЕ** Прочетете всички указания за безопасност, инструкции, изображенията и техническите данни, които получавате с уреда. Ако не спазвате следните указания, това може да доведе до токов удар, пожар и/или тежки наранявания.

**Запазете всички указания и инструкции за безопасност за бъдещето.**

## ▲ ИНСТРУКЦИИ ЗА БЕЗОПАСНОСТ НА ЦИРКУЛЯРНИ ТРИОНИ

**а) Циркулярните триони са предназначени за рязане на дърво или дървоподобни продукти; те не могат да бъдат използвани с абразивни дискове за рязане на цветни метали, като например шанги, профили, шипове и т.н. Абразивният прах причинява блокиране на подвижни части като долния предпазител. Искрите от абразивно рязане ще изгорят долния предпазител, разрезната вложка и други пластмасови части.**

**б) Използвайте клемите за закрепване на работната заготовка, когато е възможно. Ако я крепите на ръка, Виے винаги трябва да държите ръката си най-малко на 100 мм от двете страни на режещия диск. Не използвайте този трион за рязане на парчета, които са твърде малки, за да бъдат сигурно заклемени или крепени на ръка. Ако ръката Ви е твърде близо до режещия диск, съществува повишен риск от нараняване при контакт с острието.**

**в) Обработваната заготовка трябва да бъде неподвижна и затегната или държана едновременно срещу предпазителя и работната маса. Не я подавайте към острието и не режете „на свободна ръка“ по никакъв начин. Нефиксиран или подвижен заготовки могат да бъдат изхвърлени при високи скорости, причинявайки наранявания.**

**д) Натиснете триона през заготовката. Не дърпайте триона през нея. За да направите разрез, повдигнете главата на триона и го издърпайте върху заготовката, без да режете, стартирайте мотора, натиснете главата на триона надолу и го натиснете през заготовката.**

Рязането с дърпане е вероятно да предизвика покачането на режещия диск върху работната заготовка и да изхвърли силно режещата конструкция към оператора.

**е) Никога не прекарвайте ръката си над подготвената линия на рязане преди или зад режещия диск.** Държането на работната заготовка „свс скръстени ръце“, т.е. държането на детайла вдясно от режещия диск с лявата ръка, или обратно, е много опасно.

**ф) Не пипайте зад предпазителя с която и да е ръка по-близо от 100 мм от двете страни на режещия диск, за да отстраните дървени отпадъци, или по някаква друга причина, докато острието се върти.** Близостта на въртящия се режещ диск до ръката Ви може да не е очевидна и Вие може да бъдете сериозно наранени.

**г) Проверете Вашата работна заготовка преди рязане. Ако тя е наклонена или деформирана, стегнете я с наклонено навън лице спрямо предпазителя. Винаги проверявайте дали няма пространство между заготовката, предпазителя и масата по линията на среза.** Огънати или деформирани заготовки могат да се извият или преместят и могат да причинят закачане за въртящото се острие по време на рязане. Не трябва да има пирони или чужди обекти в работната заготовка.

**h) Не използвайте циркулярния трион докато работната маса не е почистена от всички инструменти, дървени отпадъци и пр., с изключение на работната заготовка.** Малки отломки или хлабави парчета дърво, или други предмети, които са в контакт с режещия диск, могат да бъдат подхвърлени с висока скорост.

**и) Режете само една работна заготовка наведнъж.** Натрупани множество работни заготовки не могат да бъдат адекватно стегнати или закрепени и могат да се качат за острието или преместят по време на рязане.

**j) Уверете се, че циркулярният трион е монтиран или поставен върху равна, твърда работна повърхност преди употреба.** Равната и твърда работна повърхност намалява риска циркулярният трион да стане нестабилен.

**к) Планирайте работата си. Всеки път, когато промените наклона или настройката на ъгъла на скосяване от 45°, се уверете, че регулираният предпазител е настроен правилно да крепи заготовката и няма да попречи на стандартите с острието или системата за предпазване.** Без да включвате уреда и без заготовка на масата, придвижете циркулярния трион, симулирайки пълен дължинен разрез, за да се уверите, че няма да има смущения или опасност от срязване на предпазителя.

**l) Осигурете адекватна подкрепа като разширения за работната маса, поддържаща конструкция за триона и пр., за заготовка, която е по-широка или по-дълга от плота на масата.** Заготовки по-дълги или по-широки от масата на циркулярния трион може да се обърнат, ако не са сигурно закрепени. Ако отрязаното парче или заготовката се обърнат, те могат да повдигнат долния предпазител или да бъдат изхвърлени от въртящото се острие.

**т) Не ползвайте друго лице като заместител на разширения за маса или като допълнителна подкрепа.** Нестабилната подкрепа за заготовката може да причини блокиране на острието или разместване на заготовката по време на рязането, издърпвайки Вас или Вашия помощник към острието.

**п) Отрязаното парче не бива по никакъв начин да се напъва или притиска срещу въртящото се острие на циркуляра.** Ако е блокирано, напр. посредством ограничители, парчето за рязане може да се заклещи срещу острието и да бъде изхвърлено със сила.

**о) Винаги използвайте клема или приспособление за захващане, пригодно да поддържа правилно кръгли материали като щанги или тръби.** Щангите имат тенденция да се въртат при рязане, предизвиквайки „захапване“ на острието, и да издърпват обработваната заготовка заедно с ръката Ви към острието.

**р) Оставете режещият диск да достигне пълната си скорост преди контакта с работната заготовка.** Това ще намали риска от подхвърляне на работната заготовка.

**q) Ако заготовката или острието се блокират, изключете циркулярния трион. Изчакайте всички движещи се части да спрат и изключете щепсела от захранването и/или отстранете батерията. След това освободете блокирания материал.** Продължаване на рязането с блокирана заготовка може да предизвика загуба на контрол или да повреди циркуляра.

**г) След като завършите рязането, освободете бутона, дръжте циркуляра с главата надолу и изчакайте острието да спре, преди да извадите отрязаното парче.** Пипането с ръка, докато дискът се върти по инерция, е опасно.

**с) Дръжте здраво дръжката, докато правите непълен разрез или когато освобождавате бутона, преди главата на циркуляра изцяло да се обърната надолу.** Спирачното действие на циркуляра може да доведе до внезапно издърпване на главата надолу, което да предизвика риск от нараняване.

#### **РЕЖЕЩО ДИСК ЗА ДЪРВО СПЕЦИАЛНИ УКАЗАНИЯ ЗА БЕЗОПАСНОСТ**

Моля, прочетете ръководството и инструкциите внимателно преди да използвате циркуляра и машината.

Машината трябва да е в добро състояние, шпинделът без деформации и да не вибрира.

Не използвайте циркуляра без предпазителите да са в правилна позиция; поддържайте предпазителите в добро работно състояние и правилно сервизирани.

Операторът следва да е подходящо обучен в предпазните мерки, нагласяването и работата на машината.



**БЪЛ**

Винаги носете защитни очила и антифони при използване на машината. Препоръчва се носенето на ръкавици, здрави, неплъзгащи се обувки и работна престилка.

Преди да използвате каквито и да било аксесоари, консултирайте ръководство за експлоатация. Неправилното използване на някой аксесоар може да предизвика повреда и да увеличи риска от нараняване.

Използвайте само режещи дискове, обозначени в това ръководство, които съответстват на EN 847-1.

Спазвайте максималната скорост, обозначена на режещия диск. Уверете се, че скоростта, маркирана на режещия диск е поне равна на скоростта, маркирана на циркуляра.

Винаги използвайте циркулярни дискове с подходящ размер и форма на присъединителния отвор. Циркулярни дискове, които не пасват точно на стъпалото на вала, имат биене и могат да предизвикат загуба на контрол над електроинструмента.

Не използвайте дискове с по-голям или по-малък диаметър от препоръчания. Не използвайте втулки, за да напаснете диска на шпиндела.

Проверете връхчетата на режещия диск за повреди или нетипичен вид преди всяка употреба. Връхчетата, които са повредени или хлабави, могат да се превърнат в летящи обекти по време на употреба и да увеличат шанса от нараняване.

Да не се използват напукани режещи листове или такива, които са се деформирали! Не използвайте листове на трион, които са повредени или деформирани.

Изхвърлете за скрап режещия диск ако е повреден, деформиран, изкривен или напукан; ремонт не е разрешен.

Да не се използват режещи дискове, изработени от бързорежеща стомана.

Уверете се, че режещият диск е монтиран правилно, стегнете фиксиращата гайка преди употреба по сигурен начин (възтяж момент на затягане прибл. 12 Nm).

Закрепващите болтове и гайки следва да бъдат затегнати при използването на подходящия гаечен ключ и т.н.

Удължител за гаечния ключ или използването на чук не са разрешени.

Уверете се, че острието и фланците са чисти и вдлъбнатите страни на втулката са срещу острието.

Уверете се, че острието се върти в правилната посока.

Преди да започнете работа, направете фиктивно рязане, без да включвате мотора, тъй че да можете да проверите позицията на острието, действието на предпазителите спрямо другите части на машината и заготовката.

Никога не оставяйте машината без надзор.

Не смазвайте режещия диск докато той се върти.

Никога не извършвайте почиствателни или работи по поддръжката докато машината още работи и главата не е в спокойно положение.

Никога не пробвайте да спрете машината в движение бързо, блокирайки острието с някакъв инструмент ило по друг начин; така могат да бъдат предизвикани непреднамерено сериозни наранявания.

Изключете циркуляра от мрежата или отстранете батерията преди да смените режещите дискове или да извършвате поддръжка.

Внимавайте при опаковане и разопаковане на режещия диск - лесно е да се нараните от острието върхове на диска.

Използвайте държач за острие или носете ръкавици, когато боравите с режещи дискове.

Съхранявайте и пазете режещия диск в оригиналната опаковка или в друга подходяща опаковка, пазете на сухо и надалеч от химикали, които могат да повредят острието.

## ДОПЪЛНИТЕЛНИ УКАЗАНИЯ ЗА РАБОТА И БЕЗОПАСНОСТ

Винаги закрепвайте заготовката безопасно и сигурно.

Уверете се, че машината винаги е стабилно разположена (например е закрепена за тезгах)..

Носете средство за защита на слуха. Шумът може да доведе до загуба на слуха.

При работа с машината винаги носете предпазни очила. Препоръчва се носенето на ръкавици при боравене с остриета и суров материал, както и здрави, неплъзгащи се обувки, които също предпазват крака от заготовки, които могат да паднат от областта на рязането.

Винаги проверявайте дали захранващият кабел е изключен от контакта, преди да извършвате корекции, смазвате уреда или когато извършвате каквато и да е поддръжка на продукта.

Свързвайте машината към контакта само в изключено положение.

Никога не пипайте в пространството около острието, освен ако острието не е напълно спряно.

Преди употреба внимателно проверете инструмента за повреди или умора на материала. Повредени части да бъдат ремонтирани само от специалист.

Предпазните устройства на машината да се използват задължително. Не използвайте машината ако предпазителите не са на мястото си или не действат правилно.

Долният предпазител за диска трябва да се отваря само когато дискът бъде спуснат към работния детайл и трябва винаги да може да се движи свободно, и да се затваря автоматично..

Винаги фиксирайте и използвайте държачи за удължаващия прът като опора за работния детайл по време на работа.

Никога не променяйте или модифицирайте циркуляра или неговите функции. Вашата сигурност може да бъде в опасност.

Не използвайте циркуляри, които са напукани, повредени или деформирани.

Да не се използват режещи дискове, изработени от бързорежеща стомана.

Използвайте само остри режещи дискове. Сменяйте тъпите остриета с нови.

Винаги използвайте циркулярни дискове с подходящ размер и форма на присъединителния отвор.

Циркулярни дискове, които не пасват точно на стъпалото на вала, имат биене и могат да предизвикат загуба на контрол над електроинструмента.

Използвайте само режещи дискове за дърво, обозначени в това ръководство, които съответстват на EN 847-1.

За закрепване на циркулярния режещ диск не използвайте никакви фланци, шайби и гайки, различни от тези, предоставени или посочени в ръководството за експлоатация.

Изберете режещ диск, подходящ за материала, който ще се реже. Никога не използвайте уреда за рязане на материали, различни от посочените в раздела „Правилна употреба“ на настоящото ръководство.



**БЪЛ**

Важно е да избягвате прегряване на диска и разтапяне на пластмасовия работен детайл по време на рязане.

Да се спазва максималната честота на въртене, посочена на режещия диск. Използвайте само дискове на циркуляр, които са предназначени за скорост на въртене равна или по-висока от посочената върху инструмента.

Сменете вложката за маса когато е износена или повредена.

Преди да започнете работа, направете фиктивно рязане, без да включавате мотора, тъй че да можете да проверите позицията на острието, действието на предпазителя спрямо другите части на машината и заготовката.

При извършване на ъглово, конусно или комбинирано рязане, регулирайте плъзгачия се предпазител, за да сте сигурни, че режещият диск е на правилното отстояние.

При транспортиране на уреда блокиращата скоба трябва винаги да е включена.

Почиствайте пода от остатъци от материал - например стърготини и остатъци от рязането.

Не отстранявайте остатъци от рязането или други части от материали, ако машината работи и режещата глава не се намира в състояние на покой.

Дългите детайли да се подпират по подходящ начин. Работната площ на циркуляра покрива цялата повърхност на работния детайл. Операторът следва да подсигури тази зона срещу случаен досег от друго лице или предмети, които могат да отместят работния детайл по време на работа.

При работа на открито или когато в машината могат да попаднат влага или прах, се препоръчва уредът да се свързва чрез защитен прекъсвач за утечен ток с максимално 30 mA ток на задействане.

Не заменяйте светодиодите и лазерите с такива от различен тип. Всякакви ремонти следва да се извършват само от производителя или от оторизиран сервис.

Рязко увеличение на напрежението води до промени в същото и може да повлияе на други електроуреди включени в същата мрежа. За възможно най-малки промени в напрежението включвайте уреда към източници на енергия със съпротивление от 0,3  $\Omega$ . За допълнителна информация се обрънете към вашата доставчик на електроенергия.

### СПЕЦИАЛНИ УКАЗАНИЯ ЗА БЕЗОПАСНОСТ ЛАЗЕР

Лазерното излъчване, използвано в този циркуляр, е от Клас II с макс. P ≤ 1 мв и дължина на вълната  $\lambda$ : 650 нм. Не гледайте пряко в оптически уреди. Неспазването на тези правила би могло да предизвика сериозно нараняване.

Не гледайте директно в лъча по време на работа.

Не насочвайте лазерния лъч директно в очите на други хора. Това може да причини сериозно нараняване на очите.

Не поставяйте лазера в такава позиция, която може да накара някого съзнателно или случайно да погледне в лазерния лъч.

Не използвайте оптически инструменти, за да гледате в лазерния лъч.

Не работете с лазера, когато наоколо има деца и не позволявайте на деца да работят с лазера.

Не пробвайте да ремонтирате лазерното устройство сами.

Не пробвайте да сменят никакви части на лазерното устройство сами.

Всякакви ремонти следва да се извършват само от производителя или от оторизиран сервис.

Не заменяйте вграден в електроинструмента лазер с лазер от друг модел.

### ИЗПОЛЗВАНЕ ПО ПРЕДНАЗНАЧЕНИЕ

Настолният циркулярен трион с плъзгачо се съединение е предназначен за рязане на твърдо дърво или шперплат с или без залепен фурнир, пластмаси и материали, подобни на дърво.

Настолният циркулярен трион с плъзгачо се съединение е предназначен за използване само от пълнолетни оператори, които са прочели ръководството за експлоатация и разбират рисковете и опасностите.

Настолният циркулярен трион с плъзгачо се съединение е предвиден за закрепване в основата към твърд работен плот. Ако основата не е сигурно закрепена, цялата машина може да се движи по време на рязане, което увеличава риска от сериозно нараняване.

Настолният циркулярен трион с плъзгачо се съединение е проектиран за извършване на скосяващо рязане и рязане под ъгъл. Възможностите за различни рязания са посочени в спецификациите на продукта в това ръководство.

Настолният циркулярен трион с плъзгачо се съединение следва да се ползва на сухо, при отлично околно осветление и подходяща вентилация.

Настолният циркулярен трион с плъзгачо се съединение е предназначен за потребителско ползване и следва да се ползва само както е посочено по-горе и не е предназначен за никаква друга цел.

### ОСТАТЪЧНИ РИСКОВЕ

Дори когато настолният циркулярен трион с плъзгачо се съединение се ползва по предписание, не е възможно да се елиминират определени остатъчни рискови фактори. Следните опасности могат да възникнат и операторът следва да обърне особено внимание да избягва следното:

- Риск от контакт с непокрити части на въртящия се режещ диск.
- Откат на заготовката или части от нея вследствие неправилна настройка или боравене.
- Изстрелване на дефектни твърдосплавни пластини от циркуляра.
- Вреда за дихателната система.

**ЗАБЕЛЕЖКА:** Носете защитни дихателни маски, съдържащи филтри, подходящи за обработваните материали.

Осигурете подходящо проветряване на работното място. Не яжте, не пийте и не пушете на работното място.

Настъпва уверждаване на слуха, ако не се използва ефективна защита за слуха.

### ВНИМАНИЕ

Прахът от определени бои, лакове и материали може да предизвика раздразнение или алергични реакции на дихателния тракт. Прахът от дървесина като дъб, бук, плочи от дървесни влакна със средна плътност (MDF) и други е канцероген. Съдържащи азбест материали следва да бъдат обработвани или преработвани само от квалифицирани оператори специалисти.

### ВНИМАНИЕ

Продължителното използване на инструмента може да предизвика наранявания или да доведе до усложнения. Когато използвате какъвто и да било инструмент за по-дълги периоди, винаги правете редовни почивки.



**БЪЛ**

## ЗАПОЗНАЙТЕ СЕ С ПРОДУКТА

Вж. стр. А.

1. Ръкохватка, изолирана повърхност за хващане
2. Пусков ключ
3. Лост за обезопасяване
4. Външен фланец
5. Диск на циркуляра
6. Долен предпазител
7. Неподвижен водач
8. Прорезна плоча
9. Ръкохватка за заключване на въртящия се плот
10. Горна ръкохватка
11. Горен предпазител
12. Изход за извървяне на прах
13. Копче за спиране на линейния прът
14. Стяга
15. Лост за заключване на ъгъла на наклон
16. Плъзгач се водач
17. Държач на работния детайл
18. Удължаващ прът
19. Монтажни отвори 4 бр.
20. Въртящ се плот
21. Скала на скосяване
22. Регулиращ винт за ъгъла на наклон при 45°
23. Регулиращ винт за ъгъла на наклон при 90°
24. Ключ за светодиодния индикатор
25. Ключ за лазера
26. Бутон на заключващия механизъм на шпиндела
27. Плоча за регулиране дълбочината на рязане
28. Копче за регулиране дълбочината на рязане

## СПИСЪК С РЕЗЕРВНИ ЧАСТИ

- PS 216 L: Циркуляр с циркулярни диска режещи под ъгъл "Mitresaw" EN 847-1/  $\varnothing 216 \times \varnothing 30 \times 2,4 / 48T / HW / n$  макс. 7000 min-1 (стр. А: No. 5)
- PS 254 L: Циркуляр с циркулярни диска режещи под ъгъл "Mitresaw" EN 847-1/  $\varnothing 254 \times \varnothing 30 \times 2,6 / 48T / HW / n$  макс. 7400 min-1 (стр. А: No. 5)
- КПрорезна плоча (стр. А: No. 8)

## ЗАЩИТА НА ДВИГАТЕЛЯ В ЗАВИСИМОСТ ОТ НАТОВАРВАНЕТО

Да се свързва само към еднофазен променлив ток и само към мрежово напрежение, посочено върху заводската табелка. Възможно е и свързване към контакт, който не е от тип "шуко", понеже конструкцията е от защитен клас II.

Контактите във външните участъци трябва да бъдат оборудвани със защитни прекъсвачи за утечен ток (FI, RCD, PRCD). Това изисква предписанието за инсталиране за електрическата инсталация. Моля спазвайте това при използване на Вашия уред.

Свързвайте машината към контакта само в изключено положение.

Свързващият кабел винаги да се държи извън работния обсег на машината. Кабелът да се отвежда от машината винаги назад.

Преди всяка употреба проверявайте уреда, свързващия кабел, акумулаторния пакет от удължителен кабел и щепсел за повреда или стареене. Повредените части да се поправят само от специалист.

Рязко увеличение на напрежението води до промени в същото и може да повлияе на други електроуреди включени в същата мрежа. За възможно най-малки промени в напрежението включвайте уреда към източници на енергия със съпротивление от 0,3  $\Omega$ .

За допълнителна информация се обърнете към вашия доставчик на електроенергия.

## ПОДДРЪЖКА

Не модифицирайте този циркуляр по никакъв начин и не използвайте аксесоари, които не са разрешени от производителя. Вашата сигурност и сигурността на околните може да бъде в опасност.

Не използвайте този циркуляр ако някои превключватели, предпазители или други функции на циркуляра не работят, както е предвидено. Отнесете се към оторизиран сервизен център за професионален ремонт или настройване.

Не извършвайте никакви корекции докато циркулярът е в движение.

Винаги проверявайте дали захранващият кабел е изключен от контакта, преди да извършвате корекции, смазвате уреда или когато извършвате каквато и да е поддръжка на продукта.

Преди и след всяка употреба проверявайте Вашия циркуляр за повреди или счупени части и го поддръжвайте в отлично работно състояние, заменяйки повредените части веднага с резервни части, одобрени от производителя.

Острието е много горещо след употреба - носете ръкавици или го оставете да изстине преди поддръжка или почистване.

Почистете натрупалия се прах, използвайки четка или прахосмукачка. Не използвайте гъстен въздух.

За да се гарантират безопасност и надеждност, всички ремонти, включително смяната на четки, трябва да се извършват от оторизиран сервизен център.

Почиствайте уреда и предпазното съоръжение със суха кърпа.

Вентилационните шлицы на машината да се поддържат винаги чисти.

Ако е необходима подмяна на захранващия кабел, тя трябва да бъде извършена от производителя или негов представител, за да се избегнат рискове за безопасността.

Да се използват само аксесоари на АЕГ и резервни части на. Елементи, чията подмяна не е описана, да се дадат за подмяна в сервиз на АЕГ (вижте брошурата "Гаранция и адреси на сервиси).

При необходимост можете да поискате за уреда от Вашия сервиз или директно от Techtronic Industries GmbH, Max-Eyth-Straße 10, 71364 Winnenden, Germany, чертеж за в случай на експлозия, като посочите типа на машината и номер върху заводската табелка.



**БЪЛ**

## CE - ДЕКЛАРАЦИЯ ЗА СЪОТВЕТСТВИЕ

Ние декларираме, изцяло на наша отговорност, че продуктът, описан в „Технически данни“, съответства на всички необходими изисквания на директивите

2011/65/EC (RoHS)

2006/42/EO

2014/30/EC

и че са използвани следните хармонизирани стандарти

EN 62841-1:2015

EN 62841-3-9:2015+A11:2017

EN 55014-1:2017

EN 55014-2:2015

EN 61000-3-2:2014

EN 61000-3-11:2000

EN IEC 63000:2018



Winnenden, 2019-03-08

Alexander Krug / Managing Director

Упълномощен за съставяне на техническата документация

Techtronic Industries GmbH

Max-Eyth-Straße 10, 71364 Winnenden, Germany

## СИМВОЛИ



**ВНИМАНИЕ! ПРЕДУПРЕЖДЕНИЕ! ОПАСНОСТ**



Преди каквито и да е работи по машината извадете щепсела от контакта.



**ВНИМАНИЕ-**За да намалите риска от нараняване, задължително прочетете ръководството за експлоатация!



При работа с машината винаги носете предпазни очила.



Да се носи предпазно средство за слуха!



Да се носят предпазни ръкавици!



Внимавайте ръцете Ви да не попаднат в обсега на листа на триона.



Уредът е подходящ за използване само в помещения. Да не се излага на дъжд.



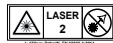
Изход за изхвърляне на прах порт за връзка



Режете единствено дърва.



Не гледайте към лазерния лъч.



Продуктът съответства на лазерен клас 2 съгласно EN 60825-1:2014.



$\varnothing$  на режещия диск х  $\varnothing$  на отвора



Посока на въртене



Зъбци на режещ диск



Ширина на среза

$n_0$

Обороти на празен ход

$V$

Напрежение



Променлив ток



Електроинструмент от защитен клас II. Електроинструмент, при който защитата от електрически удар зависи не само от основната изолация, а и от обстоятелството, че се използват допълнителни защитни мерки като двойна изолация или усилена изолация.

Няма приспособление за присъединяване на защитен проводник.



Електрическите уреди не трябва да се изхвърлят заедно с битовите отпадъци. Електрическото и електронното оборудване трябва да се събират разделно и да се предават на службите за рециклиране на отпадъците според изискванията за опазване на околната среда. Информирайте се при местните служби или при местните специализирани търговци относно местата за събиране и центровете за рециклиране на отпадъци.



Европейски знак за съответствие



Украински знак за съответствие



Евро-азиатски знак за съответствие



БЪЛ

DATE TEHNICE Ferăstrău de tăiat corniere / Ferăstrău pentru tăiere oblică *	PS 216 L	PS 254 L
Număr producție	4699 98 01 ... ... 000001-999999	4699 99 01 ... 4740 22 01 ... ... 000001-999999
Putere nominală de ieșire	220-240 V, 50 HZ, 1400W, 6,5 A	220-240 V, 50 HZ, 1800W, 8,7 A
Viteza de mers în gol	5000 min <sup>-1</sup>	4500 min <sup>-1</sup>
Diametru lamă x diametru orificiu	216 x 30 mm	254 x 30 mm
Grosimea pânzei ferăstrăului max.	1,6 mm	1,8 mm
Grosimea dinților de la pânza ferăstrăului min.	2,4 mm	2,6 mm
Capacitate de tăiere max. Unghi 0° / Înclinare 0° Unghi 45° / Înclinare 0° Unghi 0° / Înclinare 45° ↙ Unghi 45° / Înclinare 45° ↘	65 x 305 mm 65 x 215 mm 36 x 305 mm 36 x 215 mm	90 x 305 mm 90 x 215 mm 50 x 305 mm 50 x 215 mm
Greutatea conform „EPTA procedure 01/2014”	16,7 kg	19,6 kg
<b>Informație privind zgomotul</b> Valori măsurate determinate conform EN 62841. Nivelul de zgomot evaluat cu A al aparatului este tipic de:		
Nivelul presiunii sonore (Nesiguranță K=3dB(A))	99,27 dB (A)	95,15 dB (A)
Nivelul sunetului (Nesiguranță K=3dB(A))	112,27 dB (A)	108,15 dB (A)
<b>Purtați căști de protecție</b>		

\*PS ≙ Ferăstrău de tăiat corniere / Ferăstrău pentru tăiere oblică

## AVERTISMENT!

Valoarea declarată a emisie de zgomot/valorile declarate ale emisie de zgomot a fost măsurată/au fost măsurate printr-o metodă standard de testare conform EN 62841-1 și EN 62841-3-9 și se poate/se pot utiliza pentru a compara dispozitivele între ele. Valoarea declarată a emisie de zgomot/valorile declarate ale emisie de zgomot se poate/se pot utiliza și într-o evaluare preliminară a expunerii.

Emisiile de zgomot din timpul utilizării actuale a dispozitivului electric pot diferi față de valorile declarate, în funcție de modulele în care se utilizează dispozitivul, și mai ales în funcție de piesa de prelucrat care se procesează.

Pentru a proteja operatorul, identificați măsurile de siguranță care se bazează pe o estimare a expunerii în condițiile actuale de utilizare (luând în considerare toate părțile ciclului de operare, cum ar fi timpul când instrumentul este oprit și când funcționează la ralanti, în plus față de timpul de declanșare).

Purtați aparatoare de urechi. Expunerea la zgomot poate duce la pierderea auzului.

**⚠️ AVERTISMENT Citiți toate instrucțiunile de securitate, recomandările, reprezentările grafice și datele pe care le primiți livrate împreună cu aparatul.** În cazul în care nu veți respecta următoarele instrucțiuni, se poate ajunge la electrocutare, incendii și/sau răniri grave.

**Păstrați toate indicațiile de avertizare și instrucțiunile în vederea utilizărilor viitoare.**

## ⚠️ INSTRUCȚIUNI DE SIGURANȚĂ PENTRU FERĂSTRĂILE CIRCULARE STAȚIONARE

**a) Ferăstraiele circulare staționare sunt destinate tăierii în lemn sau produse din lemn. Acestea nu pot fi folosite cu discuri de tăiere abrazive pentru tăierea materialelor feroaase, cum ar fi bare, țije, știfturi, etc.** Praful abraziv provoacă blocarea pieselor în mișcare, cum ar fi apăratăoarea inferioară. Scănteile generate de tăierea cu disc abraziv vor arde apăratăoarea inferioară, inserția kerf sau alte părți ale produsului, realizate din material plastic.

**b) Utilizați cleme pentru a sprijini piesa de lucru ori de câte ori este posibil. În cazul în care susținerea piesei de lucru se face manual, trebuie să vă păstrați întotdeauna mâna la cel puțin 100 de mm de fiecare latură a lamei de ferăstrău. Nu utilizați acest ferăstrău pentru a tăia bucăți care sunt prea mici pentru a fi prinse sau ținute de mână în condiții de siguranță. În cazul în care mâna este amplasată prea aproape de lama de ferăstrău, există un risc crescut de rănire prin contactul cu lama.**

**c) Piesa de lucru trebuie să fie staționară și fixată sau ținută bine față de apăratăoarea sau de masa de lucru. Nu alimentați piesa de lucru înspre lama de tăiat și nu tăiați în nici un caz, „cu mâna liberă”. Pieselor de lucru nefixate sau în aflate mișcare pot fi aruncate la viteze mari, cauzând prejudicii.**

**d) Împingeți lama de ferăstrău prin piesa de lucru. Nu trageți prin piesa de lucru. Pentru a face o tăietură, ridicați capul de ferăstrău și trageți-l peste piesa de lucru, fără tăiere, porniți motorul, apăsați capul în jos și împingeți lama ferăstrăului prin piesa de lucru. Tăierea prin tragere este de natură să provoace urcarea lamei de ferăstrău pe partea de sus a piesei de lucru și aruncarea violentă a ansamblului de lame spre operator.**



**e) Nu treceți niciodată cu mâna peste linia de tăiere prezonizată, fie în fața sau în spatele lamei de ferăstrău.** Sprinjirea piesei de prelucrat cu mâna „în cruce”, adică prinderea piesei de lucru de la dreapta lamei de ferăstrău cu mâna stângă, sau invers, este foarte periculoasă.

**f) Nu încercați să ajungeți în spatele apărătoarei, cu oricare din mâini, la mai puțin de 100 mm de fiecare laterală a lamei de ferăstrău, cu scopul, de exemplu, de a îndepărta resturile de lemn, sau pentru orice alt scop, în timp ce lama se rotește.** Aproximarea mâinii de lama de ferăstrău aflată în mișcare poate să nu fie evidentă și aceasta poate avea ca urmare o rănire gravă.

**g) Controlați piesa de lucru înainte de tăiere.** În cazul în care piesa de lucru este înclinată sau deformată, prindeți-o cu fața exterioară înclinată spre apărătoare. Asigurați-vă întotdeauna că nu există niciun joc liber și nici o diferență de spațiu între piesa de lucru, apărătoare și masa de lucru, de-a lungul liniei de tăiere. Piese de lucru deformatate se pot răsuca sau răsturna și aceasta poate cauza deoieră sau rotirea lamei de ferăstrău în timpul tăierii. Nu trebuie să existe cuie sau obiecte străine în piesa de lucru.

**h) Nu folosiți ferăstrăul până când masa nu este eliberată de toate instrumentele, resturile de lemn, etc., cu excepția piesei de lucru.** Bucățile mici de moloz sau părți libere din bucățile de lemn sau alte obiecte care intră în contact cu lama rotativă pot fi aruncate cu viteză mare.

**i) Tăiați doar o singură piesă de lucru la un moment dat.** Piese de lucru multiple stivuite nu pot fi prinse adecvat sau fixate adecvat cu legături. Ele pot îndoi lama sau cauza deplasarea sa în timpul tăierii.

**j) Asigurați-vă că ferăstrăul circular staționar este montat sau plasat pe o suprafață de lucru plană și fermă înainte de utilizare.** O suprafață de lucru plană și fermă reduce riscul ca ferăstrăul circular staționar să devină instabil.

**k) Planificați-vă bine munca. De fiecare dată când schimbați a unghiului de tăiere conic sau oblic, asigurați-vă că apărătoarea reglabilă este setată corect pentru a sprijini piesa de lucru și nu va interfera cu lama sau sistemul de protecție.** Fără a porni unealta apăsând pe „ON” și fără a introduce vreo piesă de lucru pe masa de lucru, deplasați lama de ferăstrău printr-o tăietură simulată complet pentru a vă asigura că nu va exista nici o interferență și niciun pericol de tăierea a apărătoarei.

**l) Asigurați-vă că oferiți un sprijin adecvat: cum ar fi extensii de masă, extensii de ferăstrău etc. atunci când lucrați cu o piesă de lucru care este de dimensiuni mai mari în lățime sau lungime decât blatul mesei.** Piese de lucru mai lungi sau mai late decât masa lucru a ferăstrăului circular pot inclina masa, în cazul în care nu sunt prinse în condiții de siguranță. În cazul în care piesa tăiată sau piesa de lucru se răstoarnă, apărătoarea inferioară se poate ridica sau poate să fie aruncată de lama aflată în mișcare.

**m) Nu folosiți o altă persoană ca substitut pentru o extensie de masă sau de suport suplimentar.** Un sprijin instabil pentru piesa de lucru poate provoca deoieră lamei sau deplasarea sa neadecvată în timpul tăierii, trăgându-vă pe dvs. și pe persoană care vă asistă înspre lama aflată în mișcare.

**n) Piesa tăiată nu trebuie, sub nicio formă, să fie prinsă în sau apăsată pe lama de ferăstrău aflată în mișcare.** Dacă sunteți limitat, adică folosiți opritori de lungime, piesa de tăiat ar putea să opună rezistență împotriva lamei și să o arunce violent.

**o) Folosiți întotdeauna o clemă sau un dispozitiv conceput pentru a prinde în mod adecvat un material rotund: cum ar fi tije sau tuburi.** Tijele au tendința să se rostogolească în timp ce se taie, făcând ca lama să „muște” și să vă tragă mâna și piesa de lucru înspre lama.

**p) Lăsați lama să ajungă la viteza maximă înainte de a face contact cu piesa de lucru.** Acest lucru va reduce riscul de aruncare a piesei de lucru.

**q) În cazul în care piesa de lucru sau lama se blochează, deconectați ferăstrăul circular. Așteptați ca toate piesele mobile să se oprească și deconectați ștecărul de la sursa de alimentare și/sau scoateți acumulatorul. Apoi eliberați materialul blocat.** Dacă continuați tăierea cu o piesă de lucru blocată aceasta ar putea cauza pierderea controlului sau deteriorarea ferăstrăului de tăiere.

**r) După terminarea tăierii, eliberați comutatorul, țineți capul fierăstrăului în jos și așteptați ca lama ferăstrăului să se oprească înainte de a scoate bucata de lemn tăiată.** Este periculos să ajungeți cu mâna în apropierea lamei.

**s) Țineți mânerul ferm atunci când efectuați o tăiere incompletă sau la eliberarea comutatorului înainte de poziționarea capului de ferăstrău complet în jos.** Acțiunea de frânare a ferăstrăului poate determina tragerea bruscă a capului de ferăstrău în jos, cauzând un risc de accidentare.

#### PÂNZA TĂIERE LEMN INSTRUCȚIUNI DE SECURITATE

Vă rugăm să citiți manualul și instrucțiunile cu atenție înainte de a utiliza pânza de fierăstrău și mașina.

Aparatul trebuie să fie în stare bună, iar axul fără deformări și vibrații.

Nu folosiți fierăstrăul fără dispozitivele de protecție în poziție, păstrați dispozitivele de protecție în stare bună de funcționare și întreținute în mod corespunzător.

Asigurați-vă că operatorul este instruit suficient cu privire la prevederi de protecție, ajustări și operarea mașinii.

Purtați întotdeauna ochelari și căști de protecție atunci când utilizați mașina. Se recomandă să se poarte mănuși, încălțăminte robustă, anti-alunecare și șorț.

Înainte de a utiliza orice accesoriu, consultați Manualul de instrucțiuni. Utilizarea improprie a unui accesoriu poate provoca daune și creșterea potențialului de vătămare.

Folosiți doar pânze specificate în acest manual, care aplică standardul EN 847-1.

Observați viteza maximă marcată pe pânza de fierăstrău. Asigurați-vă că viteza marcată pe pânză este cel puțin egală cu viteza marcată pe fierăstrău.

Folosiți întotdeauna pânze de ferăstrău de mărime corespunzătoare și cu orificii de prindere adecvat. Pânzele de ferăstrău care nu se potrivesc elementelor de montaj ale ferăstrăului, se vor roti excentric și vor duce la pierderea controlului.

Nu folosiți pânze de diametru mai mare sau mai mic, altele decât cele recomandate. Nu folosiți distanțieri pentru a potrivi pânza pe ax.



Ro

Înainte de fiecare utilizare verificați vârful pânzei de fierăstrău pentru deteriorări sau aspect anormal. Vârfulurile care sunt deteriorate sau slăbite pot deveni obiecte mobile, care zboară și astfel cresc șansele de vătămare corporală.

Nu folosiți lame de ferăstrău crăpate sau deformate. Nu folosiți pânze de circular deteriorate ori deformate.

Evacuați pânza de ferăstrău la fier vechi dacă este deteriorată, distrusă sau fisurată, repararea ei nu este permisă.

Nu folosiți pânze de ferăstrău din oțel rapid

Asigurați-vă că pânza de fierăstrău este montat corect, strângeți piulița de siguranță înainte de utilizare (cuplu de strângere aprox. 12 Nm).

Șurubul de fixare și piulițele trebuie să fie strânse cu ajutorul cheii adecvate, etc.

Extinderea cheii de piulițe sau a strângerii folosind lovituri de ciocan, nu este permisă.

Asigurați-vă că pânza și flanșele sunt curate și laturile cavităților gulerului sunt poziționate contra pânzei.

Asigurați-vă că pânza se rotește în direcția corectă.

Înainte de începerea lucrărilor, faceți o tăietură test fără motorul pornit, astfel încât poziția pânzei, funcționarea dispozitivelor de siguranță cu privire la alte organe ale mașinii și piesa de prelucrat să poată fi verificate.

Nu lăsați mașina niciodată nesupravegheată.

Nu aplicați lubrifianți pe pânză atunci aceasta este în funcțiune.

Nu efectuați nicio operațiune de curățare sau de întreținere atunci când aparatul este încă în funcțiune, iar capul nu se află în poziția de repaos.

Nu încercați niciodată să opriți o mașină aflată în mișcare prin inserarea rapidă a unei scule sau a altui instrument contra pânzei - accidente grave pot fi cauzate neintenționat în acest fel.

Decuplați ferăstrăul de la sursa de alimentare sau scoateți acumulatorul înainte de schimbarea pânzelor sau efectuarea întreținerii.

La ambalare și dezambalare accordați mare atenție pânzei, este ușor să vă răniți la vârfulurile ascuțite ale ei.

Folosiți un suport de pânze sau mânuși în momentul în care manipulați o pânză de fierăstrău.

Păstrați și depozitați pânza în ambalajul ei original sau în alt ambalaj adecvat, pentru ca ea să stea în condiții uscate și departe de substanțe chimice care o pot deteriora.

## INSTRUCȚIUNI SUPPLEMENTARE DE SIGURANȚĂ ȘI DE LUCRU

Fixați întotdeauna piesa de prelucrat cu cleme în condiții de siguranță.

Aveți în vedere ca mașina să aibe mereu o poziție sigură (de ex. fixați-o la bancul de montaj)..

Purtați aparatoare de urechi. Expunerea la zgomot poate duce la pierderea auzului.

Purtați întotdeauna ochelari de protecție când lucrați cu mașina. Se recomandă să se poarte mânuși pentru pânzele de manipulare și materialul dur, precum și încălțăminte robustă, anti-alunecare care protejează de piesele care ar putea cădea din zona de tăiere.

Înainte de a realiza lucrări de reglare, lubrifiere sau întreținere asupra produsului, asigurați-vă întotdeauna că ștecherul de alimentare a fost scos din sursa de alimentare.

Conectați la rețea numai când mașina este oprită.

Niciodată nu inserați mâna în zona din apropierea pânzei, cu excepția cazului în care pânza s-a oprit complet.

Înainte de utilizare verificați cu atenție utilajul să nu prezinte deteriorări sau zone uzate. Încredințați repararea componentelor defecte numai unor specialiști.

Întotdeauna utilizați ecranele de protecție ale mașinii. Nu utilizați utilajul în cazul în care dispozitivele de protecție nu sunt la locul lor și nu funcționează corect.

Protecția lamei inferioare trebuie să se deschidă numai atunci când lama este coborâtă pe piesa de prelucrat și trebuie să poată întotdeauna să se miște liberă și să se închidă automat..

Fixați și utilizați întotdeauna suporturi de bare de extensie pentru susținerea piesei de prelucrat în timpul operării.

Nu modificați niciodată ferăstrăul sau funcția sa. Siguranța dvs. ar putea fi compromisă dacă acționați în acest mod.

Nu folosiți pânze de ferăstrău fisurate, deteriorate sau deformate.

Nu folosiți pânze de ferăstrău din oțel rapid

Folosiți doar pânze de ferăstrău ascuțite. Înclocuiți pânzele toxice cu altele noi.

Folosiți întotdeauna pânze de ferăstrău de mărime corespunzătoare și cu orificii de prindere adecvat.

Pânzele de ferăstrău care nu se potrivesc elementelor de montaj ale ferăstrăului, se vor roti excentric și vor duce la pierderea controlului.

Folosiți doar pânze pentru prelucrarea lemnului specificate în acest manual, care aplică standardul EN 847-1.

Nu folosiți flanșe, șaibe și piulițe pentru a fixa pânza de fierăstrău, altele decât cele furnizate sau indicate în acest Manual de utilizare.

Folosiți pânza de ferăstrău potrivită pentru materialul care urmează a fi tăiat. Nu folosiți niciodată produsul pentru a tăia alte materiale decât cele specificate în secțiunea referitoare la utilizarea prevăzută din acest manual.

Este important să se evite supraîncălzirea lamei și topirea piesei de prelucrat din plastic în timpul tăierii.

Respectați turatia maximă indicată pe pânza de ferăstrău. Utilizați numai lame de ferăstrău inscripționate cu o viteză egală sau mai mare decât viteza inscripționată pe dispozitiv.

Puneți la loc inserția mesei atunci când este uzată sau deteriorată.

Înainte de începerea lucrărilor, faceți o tăietură test fără motorul pornit, astfel încât poziția pânzei, funcționarea dispozitivelor de siguranță cu privire la alte organe ale mașinii și piesa de prelucrat să poată fi verificate.

În momentul realizării unor tăieturi oblice, conice sau combinate, ajustați fața glisantă pentru a asigura distanța corectă a cuțitului.

Opritorul cu colier trebuie să fie întotdeauna cuplat la transportarea produsului.

Păstrați podeaua liberă de resturi de material, de ex. așchii și resturi de la tăiatul lemnului.

Nu îndepărtați resturi de tăiere sau alte părți de piesă din zona de tăiere atâta timp cât mașina se află în mișcare, iar capul ferăstrăului nu a ajuns în poziția de repaos.

Piese lungi se vor sprijini în mod corespunzător. Zona de lucru a ferăstrăului include întreaga dimensiune a piesei de prelucrat. Operatorul trebuie să asigure această zonă împotriva atingerii accidentale a altor persoane sau obiecte, care pot mișca piesa de prelucrat în timpul operării.

Praful care apare când se lucrează cu această sculă poate fi dăunător sănătății și prin urmare nu trebuie să atingă corpul. Utilizați un sistem de absorbție a prafului și purtați o mască de protecție împotriva prafului. Îndepărtați cu grijă praful depozitat, de ex. cu un aspirator.

Nu înlocuiți LED-ul sau laser-ul cu un alt tip. Orice reparații trebuie efectuate numai de către producător sau agentul de service autorizat.

O cădere a tensiunii cauzează fluctuații ale voltajului și poate afecta alte produse electrice de la aceeași sursă de curent. Conectați produsul la o sursă de curent cu o impedanță egală cu  $0,3 \Omega$  pentru a reduce fluctuațiile de voltaj. Contactați furnizorul dvs de energie electrică pentru clarificări ulterioare.

### INSTRUCȚIUNI DE SECURITATE LASER

Radiația laser utilizată la acest tip de fierăstrău este Clasa II cu o valoare maximă  $P \leq 1mW$  și lungimi de undă  $\lambda$ : 650nm. Nu priviți direct cu instrumente optice. Nerespectarea regulilor poate duce la vătămări corporale grave.

Nu priviți direct în fasciculul de lumină în timpul funcționării.

Nu proiectați fasciculul laser direct în ochii altor persoane. Efectul ar putea fi vătămarea corporală gravă a ochilor.

Nu așezați laserul într-o poziție care poate determina pe cineva să privească în fasciculul laser în mod intenționat sau neintenționat.

Nu utilizați instrumente optice pentru a vizualiza fasciculul laser.

Nu operați laserul în jurul copiilor și nici nu le permiteți să îl utilizeze.

Nu încercați să reparați dispozitivul cu laser dvs. personal.

Nu încercați să modificați orice părți ale dispozitivului cu laser dvs. personal.

Orice reparații trebuie efectuate numai de către producător sau agentul de service autorizat.

Nu înlocuiți laserul încorporat cu un laser de alt tip.

### CONDIȚII DE UTILIZARE SPECIFICATE

Fierăstrăul cu mitră compus, glisant este destinat tăierii lemnului masiv și a lemnului lipit, cu sau fără furnir încleiat, a materialelor plastice, și a altor materiale similare lemnului.

Fierăstrăul cu mitră compus, glisant este destinat să fie utilizat numai de către operatorii adulți, care au citit manualul de instrucțiuni și care au înțeles riscurile și pericolele aferente.

Fierăstrăul cu mitră compus, glisant este conceput pentru a fi fixat la baza de o placă solidă a unui banc de lucru. În cazul în care baza nu este fixată bine, întreaga mașină se poate deplasa în timpul operațiilor de tăiere, lucru care crește posibilitatea producerii de vătămări corporale grave.

Fierăstrăul cu mitră compus, glisant este conceput este conceput pentru a face tăieturi conice și oblice. Capacitățile pentru diferite tăieturi sunt furnizate în specificațiile produsului din acest manual. Componenta glisantă de tăiere oblică a fierăstrăului trebuie să fie utilizată în condiții uscate, cu iluminare ambientală excelentă și o ventilație adecvată.

Fierăstrăul cu mitră compus, glisant este destinat utilizării de către orice client și ar trebui să fie utilizat numai așa cum s-a descris mai sus, el nu este destinat pentru nici un alt scop.

### RISCURI REZIDUALE

Chiar și atunci când fierăstrăul cu mitră compus, glisant este folosit după cum s-a specificat mai sus, tot este imposibil să se elimine complet anumiți factori de risc rezidual. Următoarele pericole pot apărea și operatorul ar trebui să acorde o atenție deosebită pentru a evita următoarele:

- Risc de contact cu părțile descoperite ale pânzei rotative a fierăstrăului.
- Reculul pieselor de procesat sau a unor părți ale lor din cauza ajustării sau a manipulării necorespunzătoare.

- Catapultarea unor vârfuri deteriorate de carbură din pânda de fierăstrău.

- Afectiuni ale sistemului respirator.

NOTĂ: Purtați măști de protecție respiratorie care conțin filtre adecvate materialelor care sunt prelucrate.

Asigurați o ventilație adecvată la locul de muncă. Nu mâncați, nu beți și nu fumați în zona de lucru.

Există riscul de deteriorare a auzului în cazul în care protecția auzului nu este eficientă.

### AVERTISMENT

Praful rezultat din anumite vopsele, straturi de acoperire și materiale poate provoca iritații sau reacții alergice ale sistemului respirator. Praful rezultat din lemn, cum ar fi stejar, fag, MDF și altele este cancerigen. Materialele care conțin azbest trebuie să fie prelucrate întotdeauna numai de către operatori specializați și calificați.

### AVERTISMENT

Utilizarea prelungită a unui dispozitiv poate cauza vătămări sau le poate agrava. Orice dispozitiv utilizați pe perioade îndelungate, asigurați-vă că faceți pauze periodice.

### CUNOAȘTEȚI-VĂ PRODUSUL

A se vedea la pagina A.

- |  |   |
|--|---|
| 1. Mâner, suprafață aderentă izolată   | 16. Grilaj glisare                        |
| 2. Declanșator comutator               | 17. Suport piesă de prelucrat             |
| 3. Pârghie de blocare de siguranță     | 18. Bară de extensie                      |
| 4. Flanșă exterioară                   | 19. Orificii de montaj x 4                |
| 5. Lamă de ferăstrău                   | 20. Masă rotativă                         |
| 6. Protecție inferioară                | 21. Scală tăiere unghi ascuțit            |
| 7. Grilaj fix                          | 22. Șurub de ajustare șablon de unghi 45° |
| 8. Placă de tăietură                   | 23. Șurub de ajustare șablon de unghi 90° |
| 9. Mâner de blocare masă rotativă      | 24. Comutator LED                         |
| 10. Mâner superior                     | 25. Comutator laser                       |
| 11. Protecție superioară               | 26. Buton sistem de blocare a axului      |
| 12. Duza praf                          | 27. Placă de ajustare adâncime de tăiere  |
| 13. Buton de oprire bară liniară       | 28. Buton de ajustare adâncime de tăiere  |
| 14. Dispozitiv de fixare               |   |
| 15. Pârghie de blocare șablon de unghi |   |

### LISTĂ DE PIESE DE SCHIMB

- PS 216 L: Ferăstrău de tăiat corniere / Ferăstrău pentru tăiere oblică EN 847-1/  $\varnothing 216 \times \varnothing 30 \times 2,4 / 48T / HW / n \text{ max. } 7000 \text{ min}^{-1}$  (oldal A: No. 5)
- PS 254 L: Ferăstrău de tăiat corniere / Ferăstrău pentru tăiere oblică EN 847-1/  $\varnothing 254 \times \varnothing 30 \times 2,6 / 48T / HW / n \text{ max. } 7400 \text{ min}^{-1}$  (oldal A: No. 5)
- KPlacă de tăietură (oldal A: No. 8)



## ALIMENTARE DE LA REȚEA

Conectați numai la prizele de curent alternativ monofazat și numai la tensiunea specificată pe plăcuța indicatoare. Se permite conectarea și la prizele fără împantantare dacă modelul se conformează clasei II de securitate.

Aparatele utilizate în multe locații diferite inclusiv în aer liber trebuie conectate printr-un disjunctiv (FI, RCD, PRCD) care previne comutarea.

Conectați la rețea numai când mașina este oprită.

Pastrați cablul de alimentare la o distanță de arie de lucru a mașinii. Întotdeauna țineți cablul în spatele dvs.

Înainte de utilizare, verificați mașina, cablul și stecarul pentru orice defecțiuni sau uzură a materialului. Reparațiile vor fi efectuate numai de către agenții de service autorizați.

O cădere a tensiunii cauzează fluctuații ale voltajului și poate afecta alte produse electrice de la aceeași sursă de curent. Conectați produsul la o sursă de curent cu o impedanță egală cu 0,3 Ω pentru a reduce fluctuațiile de voltaj.

Contactați furnizorul dvs de energie electrică pentru clarificări ulterioare.



Ro

## INTREȚINERE

Nu modificați acest fierăstrău sub nicio formă și nici nu folosiți accesorii neaprobate de producător. Siguranța dvs. și a altora ar putea fi compromisă în acest mod.

Nu folosiți fierăstrăul dacă întrerupătoarele, dispozitivele de securitate sau alte funcții de acest tip ale fierăstrăului nu funcționează în mod adecvat. Adresați-vă unui centru de service autorizat pentru reparații profesionale sau de reglare.

Nu efectuați reglaje în timp ce pânza este în funcțiune.

Înainte de a realiza lucrări de reglare, lubrifiere sau întreținere asupra produsului, asigurați-vă întotdeauna că ștecherul de alimentare a fost scos din sursa de alimentare.

Înainte și după fiecare utilizare, verificați fierăstrăul pentru deteriorări sau piese rupte și păstrați-l în stare bună de funcționare prin înlocuirea imediată a pieselor cu piese de schimb aprobate de către producător.

Pânza este foarte caldă după utilizare, de aceea purtați mănuși sau lăsați să se răcească înainte de efectuarea procedurilor de întreținere sau de curățare.

Curățați praful acumulat folosind o perie sau un aspirator. Nu folosiți aer comprimat.

Pentru a asigura siguranța și fiabilitatea, toate reparațiile, inclusiv schimbarea perilor, ar trebui să fie efectuate de către un centru de service autorizat.

Curățați aparatul și dispozitivul de protecție cu o lavetă uscată.

Fantele de aerisire ale mașinii trebuie să fie menținute libere tot timpul

Dacă este necesară înlocuirea cablului, acest lucru trebuie efectuat de către producător sau de către reprezentantul acestuia, pentru a evita periclitarea siguranței.

Utilizați numai accesorii și piese de schimb AEG. Dacă unele din componente care nu au fost descrise trebuie înlocuite, vă rugăm contactați unul din agenții de service AEG (vezi lista noastră pentru service / garanție)

Dacă este necesară, se poate comanda o imagine descompusă a sculei. Vă rugăm menționați numărul art. Precum și tipul mașinii tipărit pe etichetă și comandați desenul la agenții de service locali sau direct la Techtronic Industries GmbH, Max-Eyth-Straße 10, 71364 Winnenden, Germany.

## DECLARAȚIE DE CONFORMITATE

Declaram pe propria răspundere că produsul descris în capitolul „Date tehnice” îndeplinește toate cerințele relevante ale directivelor

2011/65/UE (RoHS)

2006/42/CE

2014/30/UE

și au fost utilizate următoarele standarde armonizate

EN 62841-1:2015

EN 62841-3-9:2015+A11:2017

EN 55014-1:2017

EN 55014-2:2015

EN 61000-3-2:2014

EN 61000-3-11:2000

EN IEC 63000:2018



Winnenden, 2019-03-08

Alexander Krug / Managing Director  
Împuternicit să elaboreze documentația tehnică.

Techtronic Industries GmbH  
Max-Eyth-Straße 10, 71364 Winnenden, Germany

Română

## SIMBOLURI



PERICOL! AVERTIZARE! ATENȚIE!



Întotdeauna scoateți stecarul din priză înainte de a efectua intervenții la mașină.



AVERTISMENT-Pentru a reduce riscul de rănire, utilizatorul trebuie să citească Manualul de instrucțiuni!



Purtați întotdeauna ochelari de protecție când utilizați mașina.



Purtați căști de protecție



Purtați mănuși de protecție!



Nu introduceți niciodată mâinile în perimetrul pânzei de circular.



Acest aparat este recomandat doar pentru utilizare în interior. Nu expuneți niciodată aparatul la ploaie.



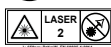
Duza praf port de conectare



Tăiați numai lemn.



Nu priviți în fasciculul de laser.



Produsul corespunde clasei de laser 2 conform EN 60825-1:2014.



Diametru lamă x diametru orificiu



Direcția de rotație



Dinți de lamă



Lățimea de tăiere

**n<sub>0</sub>**

Viteza de mers în gol

**V**

Tensiune



Curent alternativ



Sculă electrică cu clasa de protecție II. Sculă electrică la care protecția împotriva unei electrocutări nu depinde doar de izolația de bază, ci și de aplicarea de măsuri suplimentare de protecție, cum ar fi o izolație dublă sau o izolație mai puternică.

Nu există un dispozitiv pentru conectarea unui conductor de protecție.



Aruncarea aparatelor electrice la gunoierul menajer este interzisă. Echipamentele electrice și electronice trebuie colectate separat și predate la un centru de reciclare și eliminare a deșeurilor, pentru a fi eliminate ecologic. Interesați-vă la autoritățile locale sau la comerciantul dvs. de specialitate unde se află centre de reciclare și puncte de colectare.



Marcă de conformitate europeană



Marcă de conformitate ucraineană



Marcă de conformitate eurasiatică



ТЕХНИЧКИ ПОДАТОЦИ	PS 216 L	PS 254 L
Пила за отсекување, влечење и аголна пила *		
Произведен број	4699 98 01 ... ... 000001-999999	4699 99 01 ... 4740 22 01 ... ... 000001-999999
Определен внес	220-240 V, 50 HZ, 1400W, 6,5 A	220-240 V, 50 HZ, 1800W, 8,7 A
Брзина без оптоварување	5000 min <sup>-1</sup>	4500 min <sup>-1</sup>
Сечило на пила дијаметар x дијаметар на отвор	216 x 30 mm	254 x 30 mm
Дебелина на телото на ножот макс.	1,6 mm	1,8 mm
Дебелина на заштите од ножот за сечење мин.	2,4 mm	2,6 mm
Максимален учинок на сечење агол на навалување 0° / агол на навалување вертикално 0° агол на навалување 45° / агол на навалување вертикално 0° агол на навалување 0° / агол на навалување вертикално 45° агол на навалување 45° / агол на навалување вертикално 45°	65 x 305 mm 65 x 215 mm 36 x 305 mm 36 x 215 mm	90 x 305 mm 90 x 215 mm 50 x 305 mm 50 x 215 mm
Тежина според ЕПТА-процедурата 01/2014	16,7 kg	19,6 kg
<b>Информации за бучавата</b> Измерените вредности се одредени согласно стандардот EN 62841. А-оценетото ниво на бучава на апаратот типично изнесува: Ниво на звучен притисок. (Несигурност K=3dB(A)) Ниво на јачина на звук. (Несигурност K=3dB(A)) <b>Носете штитник за уши.</b>	99,27 dB (A) 112,27 dB (A)	95,15 dB (A) 108,15 dB (A)

\*PS  $\triangleq$  Пила за отсекување, влечење и аголна пила

## ПРЕДУПРЕДУВАЊЕ!

Наведените вредности на емисија на бучава се измерени во согласност со стандарден метод на тестирање од EN 62841-1 и EN 62841-3-9 и може да се користат за споредување на еден електричен алат со друг. Наведените вредности на емисија на бучава исто така може да се користат при првична проценка на изложеност.

Емисиите на бучава при фактичката употреба на алатот на струја може да се разликуваат од наведените вредности во зависност од начините на кои се користи алатот, особено каков вид работен материјал се обработува.

Дефинирајте безбедносни мерки за да го заштитите операторот врз основа на проценката на изложеност во вистинските услови на употреба (земајќи ги во предвид сите делови од оперативниот циклус како на пример времињата кога е исклучен алатот, како и кога е вклучен на работи на празно).

Носете штитник за уши. Влијанието на бука може да предизвика губење на сепилото за слух.

**⚠ ПРЕДУПРЕДУВАЊЕ** Прочитајте ги сите безбедносни напомени, упатства, цртежи и податоци, коишто ги добивате заедно со уредот. Доколку не ги почитувате следните упатства, може да дојде до електричен удар, до пожар и/или до тешки повреди.

Сочувајте ги сите безбедносни упатства и инструкции за во иднина.

### ⚠ БЕЗБЕДНОСНИ УПАТСТВА ЗА ПИЛА ЗА СЕЧЕЊЕ ПОД АГОЛ

а) Пилите за сечење под агол се наменети за сечење дрво или слични производи, не може да се употребуваат со абразивни дискови за сечење на црни метали, како на пр. шипки, палки, шајки и др. Абразивниот прав предизвикува блокирање на подвижните делови, на пр. на долниот штитник. Искриите од абразивно сечење го горат долниот штитник, засекот и пластичните делови.

б) Користете стегачи за држење на парчето за обработка секогаш кога можете. Ако го потпирате парчето за обработка со рака, раката постојано мора да биде на оддалеченост од најмалку 100 мм од обете страни на сечилото од пила. Не ја користете оваа пила за сечење на многу мали парчиња кои не може безбедно да се прицврстат или да се држат со рака. Ако раката ја ставите преблиску до сечилото на пила, постои голема опасност од повреда при допирање на сечилото.

в) Парчето за обработка мора да биде статично и прицврстено или да се држи и за граничникот и за масата. Не го ставајте парчето за обработка во сечилото или жлебот „со слободна рака“ на никој начин. Слободно или неприцврстено парче за обработка може да биде исфрлено со голема брзина и да предизвика повреда.

**d) Притиснете ја пилата низ парчето за обработка.** Не ја влечете пилата низ парчето за обработка. За да пресечете, подигнете ја главата на пилата и повлечете ја преку парчето за обработка без сечење, вклучете го моторот, притиснете ја главата на пилата надолу и притиснете ја пилата низ парчето за обработка. Со повлекување на пилата додека сечете, сечилото може да се искачи на врвот на парчето за обработка и силно да го отфрли склопот на сечилото кон ракувачот.

**e) Никогаш не ги прекрстувајте рацете врз одредената линија за сечење пред и зад сечилото на пилата.** Држење на парчето за обработка „со вкрстени раце“ т.е. држење на парчето за обработка на десната страна од сечилото на пилата со лева рака или обратно, е многу опасно.

**f) Не посегнувајте со рацете зад граничникот поблиску од 100 мм од двете страни на сечилото за да ги отстраните дрвените остатоци или заради друга причина, додека сечилото ротира.** Може да не забележите колку е блиску сечилото до Вашата рака, па може сериозно да се повредите.

**g) Проверете го парчето за обработка пред да започнете со сечењето.** Ако парчето за обработка е накривено или навалено, прицврстете ја надворешната навалена страна на граничникот. Секогаш проверувајте дали има луфта меѓу парчето за обработка, граничникот и масата покрај линијата на сечење. Накривено или навалено парче за обработка може да се извита или помести и да предизвика замотување на сечилото кое ротира при сечење. Не смее да има шајки или други туѓи предмети во парчето за обработка.

**h) Не ја употребувајте пилата ако на масата, освен парчето за обработка, има алати, дрвени остатоци и др.** Ако малите остатоци или расфрлените парчиња дрво или другите предмети се допрат до ротирачкото сечило, може да се расфрлаат со голема брзина.

**i) Сечете само едно парче.** Ако повеќе парчиња се наредени едно врз друго, не може соодветно да се зацврстат или поврзат, па може да се фатат за сечилото или да се изместат во текот на сечењето.

**j) Проверете дали пилата за сечење под агол е монтирана или наместена на рамна, цврста работна површина пред да ја користите.** Рамната и цврста работна површина го намалува ризикот пилата за сечење под агол да стане нестабилна.

**k) Испланирајте ја работата. Секојпат кога ќе ја промените косината или подесениот агол на закосување, проверете дали граничникот кој се подесува е правилно поставен за држење на парчето и дека нема да му пречи на сечилото или на заштитниот систем.** Без да го вклучување алатот на „ON“ и без ставено парче за обработка на масата, движете го сечилото на пилата низ целосно симулиран пресек, за да проверите дали има некакви пречки, или опасно да се пресече граничникот.

**l) Обезбедете соодветен потпирач, како на пр. продолжеток на масата, ногарки за потпора на пилата и др., за парчиња за обработка кои се широки или подолги од горниот дел на масата.** Ако парчињата за обработка се подолги или пошироки од пилата за сечење под агол, тие може да паднат доколку не се прицврстени. Ако отсеченото парче или парчето кое се обработува се навали, може да ја подигне долната заштита или да биде исфрлено од самото ротирачко сечило.

**m) Не користете друго лице како замена за продолжеток на масата или како дополнителен држач.** Нестабилен држач за парчето кое се обработува може да предизвика зафаќање на сечилото или поместување на парчето за обработка во текот на сечењето, па да Ве повлече Вас и помошникот кон ротирачкото сечило.

**n) Отсеченото парче никако не смее да се заглави или да притиска кон ротирачкото сечило.** Ако се заглави, т.е. со помош на должинските граничници, отсеченото парче може да се заглави на сечилото и силно да биде исфрлено.

**o) Секогаш користете стега или прицврстувајќи го е правилно дизајниран за држење на тркалезен материјал, како на пр. мотки или цевки.** Мотките се склонли да се вртат додека ги сечете, па предизвикуваат сечилото да го „зафаќа“ и влече парчето со Вашата рака кон сечилото.

**p) Оставете сечилото да достигне целосна брзина пред да го допре парчето за обработка.** Со ова ќе се намали ризикот парчето за обработка да биде исфрлено.

**q) Ако парчето за обработка или сечилото биде блокирано, исклучете ја пилата за сечење под агол.** Почекајте сите подвижни делови да запрат и исклучете го приклучокот од струја и/или извадете ги батериите. Потоа извадете го заглавениот материјал. Ако продолжите да сечете со заглавено парче за обработка, може да изгубите контрола или да ја оштетите пилата.

**r) Откако ќе завршите со сечењето, ослободете го копчето, држете ја главата на пилата надолу и почекајте сечилото да застане пред да го извадите исеченото парче.** Добижување на раката до сечилото кое сè уште се врти, е опасно.

**s) Држете ја цврсто рачката кога правите нецелосно сечење или кога го ослободувате прекинувачот, пред главата на пилата да биде целосно во позиција надолу.** Закочувањето на пилата може да предизвика главата на пилата одеднаш да биде повлечена надолу, па да предизвика ризик од повреда.

#### НОЖ ЗА СЕЧЕЊЕ ДРВО УПАТСТВО ЗА УПОТРЕБА

Ве молиме внимателно прочитајте го прирачникот и упатствата пред да го користите ножот од пилата и машината. Машината мора да биде во добра состојба, вретеното да е без деформации и без вибрации.

Немојте да ја користите пилата без да се ставени штитниците на своето место, штитниците чувајте ги во добра работна состојба и одржувајте ги правилно.

Погрижете се операторот да е адекватно упатен во сигурносните мерки, штелувањето и функционирањето на машината.



Секогаш носете заштитни очила и штитници за ушите кога ја користите машината. Се препорачува да носите ракавици, тврди нелизгачки чевли и престилка.

Ред да користите било каков прибор, консултирајте се со упатствата од прирачникот. Направилната употреба на приборот може да предизвика оштетување и да ја зголеми веројатноста од повреда.

Користете само ножеви кои се специфицирани во овој прирачник и во согласност со EN 847-1.

Внимавajte на максималната брзина која е означена на ножот од пилата. Водете сметка брзината што е означена на ножот да е најмалку еднаква на брзината што е означена на пилата.

Секогаш користете сечила со соодветна големина и форма или крунски пили. Сечила кои не одговараат на монтираниот хардвер на пилата ќе се движат неправилно предизвикувајќи губење на контролата.

Немојте да користите ножеви со пречник што е поголем или помал од оној што е препорачан. Немојте да користите било какви дистанцери за да го наместите на ножот на вретеното.

Пред секоја употреба, поверете ги запците на ножот од пилата да не се оштетени или лабави, може да станат летечки објекти при употребата и да ја зголемат веројатноста од повреда.

Не користете скршени или избличени сечила. Не употребувајте оштетени или деформирани дискови.

Фрлете го ножот од пилата доколку е оштетен, деформиран или напукнат, поправање не е дозволено.

Не користете сечила за пила кои се направени од високобрзински челик

Погрижете се ножот од пилата да биде монтиран правилно, пред употреба безбедно прицврстете го прстенот на навртката (затезен момент отприлика 12 Nm).

Завртката за прицвртување и навртките треба да бидат затегнати со помош на соодветен затегач, итн.

Не е дозволен продолжеток на затегањот или затегање со удирање со чекан.

Погрижете се ножот и прирабницата да бидат чисти, а вдлабнатите страни на навртката за подесување да бидат накај ножот.

Погрижете се ножот да ротира во правилната насока.

Пред работа, направете едно пробно сечење без да е клучен моторот, за да може да се провери положбата на ножот, функционирањето на штитниците во однос на другите делови од машината и работното парче.

Никогаш не оставајте ја машината ненадгледувана.

Немојте да ставате средства за подмачкување на ножот додека тој се врти.

Никогаш немојте да вршете било какво чистење или сервисирање додека машината уште работи, и ако главата не е во положба на мирување.

Никогаш немојте да се обидуваат да ја сопрате машината додека се движи брзо, така што ножот ќе го притискате со алатот или со други средства, на овој начин може ненамерно да дојде до сериозни неагоди.

Исклучете ја пилата од струја или извадете ја батеријата пред да ги менувате ножевите или да вршете сервисирање.

Обрнете внимание на пакувањето и распакувањето на ножот, лесно можете да се повредите од острите запци на ножот.

Користете држат за ножот или носете ракавици кога ракувате со ножот на пилата.

Ножот чувајте го во оригиналната амбалажа или во друго соодветно пакување, чувајте го на суво и подалеку од хемикалии кои можат да му наштетат на ножот.

## ОСТАНАТИ БЕЗБЕДНОСИ И РАБОТНИ УПАТСТВА

Обработуваното парче секогаш притегнувајте го, за да биде безбедно и сигурно.

Обезбедете, машината да стои постојано цврсто (на пример прицврстување на работната маса)..

Носете штитник за уши. Влијанието на бука може да предизвика губење на сетилото за слух.

При работа со машината постојано носете заштитни очила. Се препорачува да носите ракавици кога ракувате со ножеви и рапав материјал, како и тврди нелизгачки чевли кои ги штитат нозете од обработуваните пачиња кои може да паднат од зоната каде што се реже.

Секогаш извадете го приклучокот од изворот на струја пред да правите приспособувања, подмачкување или кога го сервисирате производот.

Вклучувањето на кабелот на струја се прави исклучиво машината е исклучена.

Никогаш немојте да ги ставате рацете близу ножот, освен ако ножот не е целосно запрен.

Пред употребата, комплетно проверете го алатот да не има некако оштетување или маана. Оштетените делови да се поправат исклучиво од страна на стручно лице.

Секогаш користете заштитен штит на машината. Немојте да ја користите машината ако штитниците не се на место и не работат правилно.

Долниот заштитник на сечилото треба да се отвори само кога ќе се спушти сечилото на парчето за обработка и мора секогаш да може да се движи слободно и да се затвора автоматски..

Секогаш прицврстете и користете држачи за продолжна шина за парчето за обработка за време на работа.

Никогаш не менувајте ја пилата или нејзината функција. Вашата безбедност може да биде компромитирана.

Немојте да користите ножевите кои се напукнати, оштетени или деформирани.

Не користете сечила за пила кои се направени од високобрзински челик

Користете само ножеви кои се остри. Тапите ножеви заменете ги со нови.

Секогаш користете сечила со соодветна големина и форма или крунски пили.

Сечила кои не одговараат на монтираниот хардвер на пилата ќе се движат неправилно предизвикувајќи губење на контролата. Користете само ножеви за сечење дрво, специфицирани во овој прирачник, кои се во согласност со EN 847-1.

Немојте да користите било какви други прирабници, подлошки или бургии за прицврстување на ножот, освен оние кои се обезбедени или наведени во упатството за употреба.

Неопходно е да изберете го виде ножот кој е погоден за материјалот се сече. Никогаш немојте да го користите производот за сечење поинакви материјали од оние кои се наведени во поглавјето за употреба во овој прирачник.

Избегнувајте прегревање на сечилото и топење на пластичното парче за обработка при сечење.

Ок клучно значење е да се остане до максимално специфицираната брзина на сечилото. Користете само листови





за пила коишто се означени со брзина еднаква или поголема од брзината означена на алатот.

Заменете го вметокот во масата доколку е изабен или оштетен.

Пред работа, направете едно пробно сечење без да е вклучен моторот, за да може да се провери положбата на ножот, функционирањето на штитниците во однос на другите делови од машината и работното парче.

При спојувањето на цевките под прав агол, под наклон или комбинирани агли под прав агол, подесете ја лизгачката ограда, за да обезбедите правилно минување на ножот.

Граничната дршка треба секогаш да биде активирана кога го транспортирате производот.

Одржувајте го подот чист од остатоци на материјал, на пример стругини или остатоци од пилење.

Не отстранувајте остатоци од пилење или други делови од обработуваните предмети во подрачјето на пилење кога машината работи и кога главата за пилење не е во положба на мирување.

Долгите парчиња мораат да бидат соодветно потпирали. Работниот простор на пилата ја опфаќа целата должина на парчето за обработка. Операторот треба да го обезбеди овој простор од ненамерен контакт од други лица или објекти кои може да го придвижат парчето за обработка за време на работа.

Прашината која се крева при работа со овој алат може да биде штетна по здравјето и затоа не го изложувајте го телото. Користете систем за апсорпција на прашината и носете соодветна заштитна маска. Одстранете ја целосно наталожената прашина пр: со правосмукалка.

Немојте да ги заменуваат LED светилките или ласерот со поинаков тип. Било кои поправки мора да ги прави само производителот или овластен сервисен агент.

Кратковремени вршни напони предизвикуваат осцилирање на напонот и можат да извршат влијание врз други електрични производи во истиот струен вод. Приклучете го апаратот на снабдевање со струја со импеданца од 0,3 Ω за да минимизирате осцилирања на напонот. Контакттирајте го Вашиот снабдевач со енергија за понатамошни информации.

### УПАТСТВО ЗА УПОТРЕБА ЛАСЕРСКИ

Ласерското зрачење кое се користи во оваа пила е од Класа II со максимум  $P \leq 1 \text{ mW}$  и  $\lambda: 650 \text{ nm}$  бранова должина. Немојте да гледате директно во оптичките инструменти. Непочитувањето на овие правила може да доведе до сериозни повреди.

Немојте да зјапате во зракот во текот на работењето.

Немојте да им го проектирате ласерскиот зрак директно во очите на другите. Може да дојде до сериозна повреда на очите.

Ласерот немојте да го ставате во положба која може да наведе неког несакани или несвесно да гледа во ласерскиот зрак.

Немојте да користите оптички алатки за да гледате во ласерскиот зрак.

Немојте да работите со ласерскиот зрак во близина на деца или, пак, да им дозволувате на децата да го чепкаат ласерот.

Немојте да се обидуваат самите да го поправат ласерскиот уред.

Немојте да се обидуваат самите да менуваат било какви делови од ласерот.

Било кои поправки мора да ги прави само производителот или овластен сервисен агент.

Не ги променувајте инсталираната ласер со различен тип.

### СПЕЦИФИЦИРАНИ УСЛОВИ НА УПОТРЕБА

Кружната лизгачка пила е наменета за сечење на тврдо и пресувано дрво со или без лепен фурнир, пластика и материјали слични на дрво.

Кружната лизгачка пила е наменета да ја користат само возрасни оператори кои го прочитале прирачникот за користење и ги разбрале ризиците и опасностите.

Кружната лизгачка пила е наменета со основата да биде прицврстена за цврста работна маса. Доколку основата не е безбедно прицврстена, целата машина може да се движи за време операциите за сечење, кое ја зголемува веројатноста од сериозна повреда.

Кружната лизгачка пила е наменета да прави коси и аголни сечења. Капацитетите за различни сечења се дадени во спецификациите на производот во овој прирачник.

Кружната лизгачка пила треба да се користи во суви услови, со одлично осветление и адекватна вентилација.

Кружната лизгачка пила е наменета за потрошувачи и треба да се користи само во склад со горепишаното, и не е наменета за никаква друга цел.

### ОСТАТОЧНИ ОПАСНОСТИ

Дури и кога кружната лизгачка пила се користи како што е пропишано, сè уште не е можно целосно да се елиминираат извесни преостанати фактори на ризик. Може да се појават следните ризици и операторот треба да обрне посебно внимание да го избегне следното:

- Ризикот од контакт со непокриени делови на ротирачкиот нож на пилата.
- Повратен удар на обработуваните парчиња или делови од обработуваните парчиња поради неисправно штелување или ракување.
- Исфрлање на запки од тврд метал од ножот на пилата.
- Оштетување на респираторниот систем.

**ЗАБЕЛЕШКА:** Носете маска за заштита на респираторниот систем, која содржи филтери соодветни на материјалите кои се обработуваат.

Погрижете се да има адекватна вентилација на работното место. Немојте да јадејте, да пиете или да пушите во работниот простор.

Оштетување на слухот доколку не се носи заштита за ушите.

### ПРЕДУПРЕДУВАЊЕ

Прагот од некои бои, премази и материјали може да предизвика иритација или алергиски реакции на респираторниот систем. Прагот од дрво како на пр. од даб, бука, медијан и други се канцерогени. Со материјалите кои содржат азбест секогаш треба да работат само квалификувани специјалисти-оператори.

### ПРЕДУПРЕДУВАЊЕ

Од долготрајната употреба на алатот може да се предизвикаат повреди или да се влошат истите. Ако го користите некој алат подолго време преравете редовни паузи.



## ЗАПОЗНАЈТЕ ГО ПРОИЗВОДОТ

Види страна А.

1. Рачка, изолирана површина за фаќање
2. Прекинувач за вклучување
3. Безбедносен лост за блокирање
4. Надворешна прирабница
5. Сечило за пила
6. Долен заштитник
7. Неподвижен граничник
8. Плоча со засеци
9. Рачка за блокирање за ротациона плоча
10. Горна рачка
11. Горен заштитник
12. Канал за правот
13. Стоп-копче за линеарна рачка
14. Стега
15. Рачка за блокирање на агол на наклонот
16. Лизгачки граничник
17. Држач на парчето за обработка
18. Продолжна шина
19. Монтажни отвори x4
20. Ротациона плоча
21. Аголна скала
22. Завртка за регулирање на 45° агол на наклонот
23. Завртка за регулирање на 90° агол на наклонот
24. LED-прекинувач
25. Ласерски прекинувач
26. Копче за блокирање на вретеното
27. Плоча за регулирање на длабочината на сечење
28. Копче за регулирање на длабочината на сечење

## СПИСОК НА ДЕЛОВИ ЗА ЗАМЕНА

- PS 216 L: Пила за отсекување, влечење и аголна пила EN 847-1/ ø216 x ø30 x 2,4 / 48T / HW / n макс. 7000 min-1 (страна А: No. 5)
- PS 254 L: Пила за отсекување, влечење и аголна пила EN 847-1/ ø254 x ø30 x 2,6 / 48T / HW / n макс. 7400 min-1 (страна А: No. 5)
- КПлоча со засеци (страна А: No. 8)

## ГЛАВНИ ВРСКИ

Да се спои само за една фаза АС коло и само на главниот напон наведен на плочката. Можно е исто така и поврзување на приклучок без заземјување доколку изведбата соодветствува на безбедност од 2 класа.

Уредите кои се користат на многу различни локации вклучувајќи и отворен простор мора да бидат поврзани за струја преку направата за поврзување (FI, RCD, PRCD).

Вклучувањето на кабелот во струја се прави исклучиво машината е исклучена.

Чувајте го кабелот за напојување подалеку од работната површина. Секогаш водете го кабелот позади вас.

Пред употреба проверете дали машината, кабелот и приклучокот се исправни. Ако се оштетени дозволени се поправки исклучиво од авторизираните сервиси.

Кратковремени вршни напони предизвикуваат осцилирање на напонот и можат да извршат влијание врз други електрични производи во истиот струен вод. Приклучете го апаратот на снабдевање со струја со импеданца од 0,3 Ω за да минимизирате осцилирања на напонот.

Контактирајте го Вашиот снабдевач со енергија за понатамошни информации.

## ОДРЖУВАЊЕ

Немојте да ја менувате оваа пила на никаков начин или да користите прибор кој не е одобрен од производителот. Вашата безбедност и безбедноста на другите може да биде доведена во прашање.

Немојте да ја користите пилата доколку некој прекинувач, штитник или други функции на пилата не работат како што е наменето. Вратете ја во овластениот сервисен центар за професионална поправка или штелување.

Немојте да правите никакви преиначувања додека ножот на пилата е во движење.

Секогаш извадете го приклучокот од изворот на струја пред да правите приспособувања, подмачкување или кога го сервисирате производот.

Пред и после секоја употреба проверете ја пилата да не има оштетување или скршени делови и одржувајте ја во тоа работна состојба така што веднаш ќе ги смените деловите со делови кои се одобрени од производителот.

После употреба, ножот е многу жежок, носете ракавици или оставете го да се излади пред да правите сервисирање или чистење.

Исчистете ја насобраната прав со помош на четка или правосмукалка. Немојте да користите компримиран воздух.

За да обезбедите сигурност и доверливост, сите поправки, вклучително менувањето на четките, треба да ги прави овластен сервисен центар.

Апаратот и заштитната направа очистете ја со сува крпа.

Вентилациските отвори на машината мора да бидат комплетно отворени постојано.

Ако е потребна замена на струјниот кабел, тоа треба да го направи производителот или неговиот застапник со цел да се избегнат опасности.

Користете само АЕГ додатоти и резервни делови. Доколку некои од компонентите кои не се опишани треба да бидат заменети, Ве молиме контактирајте ги сервисните агенти на АЕГ (консултирајте ја листата на адреси).

Доколку е потребно можно е да биде набавен детален приказ на алатот. Ве молиме наведете го бројот на артиклот како и типот на машина кој е отпечатан на етикетата и порачајте ја скицата кај локалниот застапник или директно кај: Techtronic Industries GmbH, Max-Eyth-Straße 10, 71364 Winnenden, Germany.



## ЕУ-ДЕКЛАРАЦИЈА ЗА СООБРАЗНОСТ

Под целосна лична одговорност изјавуваме дека производот опишан во „Технички податоци“ е во сообразност со сите релевантни прописи од директивите

2011/65/EU (RoHS)  
2006/42/EC  
2014/30/EU

и дека се применети следните хармонизирани стандарди

EN 62841-1:2015  
EN 62841-3-9:2015+A11:2017  
EN 55014-1:2017  
EN 55014-2:2015  
EN 61000-3-2:2014  
EN 61000-3-11:2000  
EN IEC 63000:2018



Winnenden, 2019-03-08

Alexander Krug / Managing Director  
Ополномоштен за составување на техничката документација.

Techtronic Industries GmbH  
Max-Eyth-Straße 10, 71364 Winnenden, Germany

## СИМБОЛИ



**ВНИМАНИЕ! ПРЕДУПРЕДУВАЊЕ! ОПАСНОСТ!**



Секогаш кога преземате активности врз машината исклучете го кабелот од струјата.



**ПРЕДУПРЕДУВАЊЕ**-Корисникот мора да го прочита упатството за употреба за да се намали ризикот од повреда!



Секогаш при користење на машината носете ракавици.



Носте штитник за уши.



Носете ракавици!



Никогаш не ги поставувајте рацете во подрачјето на дискот за сечење.



Овој алат е исклучиво за внатрешна употреба.  
Никогаш не го изложувајте алатот на дожд.



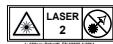
Канал за правот



Сечете само дрво.



Не гледајте во ласерскиот зрак.



Овој производ одговара на класата на ласер 2 согласно EN 60825-1:2014.



Сечило на пила дијаметар x дијаметар на отвор



Насока на вртење



Назабен лист



Ширина на резот

**n<sub>0</sub>**

Брзина без оптоварување

**V**

Напон



Наизменична струја



Електрично орудие од заштитната категорија II.  
Електрично орудие чијашто заштита од електричен удар не зависи само од основната изолација туку и од тоа дали ќе се применат дополнителните заштитни мерки како што се двоструките изолации или појачаната изолација.

Не постои никаква направа за приклучување на некој заштитен вод.



Електричните апарати не смеат да се фрлат заедно со домашниот отпад. Електричните и електронските апарати треба да се собираат одделно и да се однесат во соодветниот погон заради нивно фрлање во склад со начелата за заштита на околината. Информирајте се кај Вашите местни служби или кај специјализираниот трговски претставник, каде има такви погони за рециклажа и собирни станици.



Европска ознака за сообразност



Украинска ознака за сообразност



Евроазиска ознака за сообразност



Македонски

ТЕХНІЧНІ ХАРАКТЕРИСТИКИ	PS 216 L	PS 254 L
<b>Торцювальна та вусорізна пилка *</b>		
Номер виробу	4699 98 01 ... ... 000001-999999	4699 99 01 ... 4740 22 01 ... ... 000001-999999
Номінальна споживана потужність	220-240 V, 50 HZ, 1400W, 6,5 A	220-240 V, 50 HZ, 1800W, 8,7 A
Кількість обертів холостого ходу	5000 min <sup>-1</sup>	4500 min <sup>-1</sup>
Ø пилкового диску x Ø отвору	216 x 30 mm	254 x 30 mm
Товщина тіла пильного полотна макс.	1,6 mm	1,8 mm
Товщина зубців пильного полотна мін.	2,4 mm	2,6 mm
Продуктивність різання макс. З'єднання під гострим кутом 0°/ Нахил 0° З'єднання під гострим кутом 45°/ Нахил 0° З'єднання під гострим кутом 0°/ Нахил 45° З'єднання під гострим кутом 45°/ Нахил 45°	65 x 305 mm 65 x 215 mm 36 x 305 mm 36 x 215 mm	90 x 305 mm 90 x 215 mm 50 x 305 mm 50x 215 mm
Вага згідно з процедурою EPTA 01/2014	16,7 kg	19,6 kg
<b>Інформація про шум</b> Виміряні значення визначені згідно з EN 62841. Рівень шуму "A" приладу становить в типовому випадку: Рівень звукового тиску (похибка K = 3 дБ(A)) Рівень звукової потужності (похибка K = 3 дБ(A))	99,27 dB (A) 112,27 dB (A)	95,15 dB (A) 108,15 dB (A)
<b>Використовувати засоби захисту органів слуху!</b>		

\*PS ∆ Торцювальна та вусорізна пилка

## ПОПЕРЕДЖЕННЯ!

Заявлені значення шумового випромінювання було виміряно відповідно до стандартизованого методу випробування EN 62841-1 і EN 62841-3-9 та можуть використовуватися для порівняння одного інструмента з іншим. Заявлені значення шумового випромінювання також можуть використовуватися для попередньої оцінки рівня навантаження.

Значення шумового випромінювання під час фактичного використання електропривідного інструмента можуть відрізнятися від заявлених значень залежно від способу використання інструмента, зокрема від виду оброблюваної деталі.

Визначте заходи безпеки для захисту оператора відповідно до оцінки вірогідності вибуху в фактичних умовах використання (з урахуванням усіх частин операційного циклу, таких як періоди знаходження інструмента у вимкненому стані та періоди холостого роботи, на додаток до періодів запуску).

Користуйтеся засобами захисту органів слуху. Вплив шуму може спричинити втрату слуху.

**⚠ ПОПЕРЕДЖЕННЯ** Ознайомтеся з усіма вказівками щодо техніки безпеки, інструкціями, ілюстраціями та відомостями, що було надано разом із приладом. Недотримання наведених далі інструкцій може спричинити ураження електричним струмом, пожежу та/або тяжкі травми. **Зберігайте всі вказівки з техніки безпеки та інструкції на майбутнє.**

### ⚠ ІНСТРУКЦІ З ТЕХНІКИ БЕЗПЕКИ ДЛЯ КУТОРІЗНИХ ПИЛ

**а) Куторізні пили призначені для розрізання деревини та деревоподібних виробів, їх не можна використовувати з абразивними відрізними дисками для розрізання металевих матеріалів, наприклад брусків, прутків, стержнів тощо.** Абразивний пил призводить до заклинювання рухомих частин, наприклад нижнього захисного щитка. Іскри від різання абразивним диском призведуть до розплавлення нижнього захисного щитка, прорізної вставки й інших пластмасових деталей.

**б) Якщо це можливо, фіксуйте заготовку зажимами.** Якщо ви підтримуєте заготовку рукою, завжди тримайте руку на відстані не менше 100 мм від кожного боку леза. **Не розрізайте пилою заготовки замалого розміру, які неможливо безпечно зафіксувати зажимом або рукою.** Якщо рука знаходиться надто близько до леза, існує підвищений ризик травмування внаслідок контакту з лезом.

**с) Заготовка повинна бути нерухомо зафіксована зажимом або рукою відносно столу й перегородки.** Не направляйте заготовку до леза та не виконуйте розрізання будь-яким чином «від руки». Пила викине незафіксовані чи рухомі заготовки під час роботи на великих швидкостях, що може призвести до травмування.

**д) Переміщуйте пилу по відношенню до заготовки, штовхаючи пилу від себе. Не тягніть пилу на себе.** Щоб зробити розріз, підніміть головку пили, наведіть її над заготовкою без розрізання, увімкніть двигун, опустіть головку пили вниз і штовхайте пилу від себе. Якщо під час розрізання перемішувати пилу до себе, лезо пили може переміститися на верхню частину заготовки, через що сила обертання виштовхне блок леза в бік оператора.

**е) У жодному разі не вводьте руку на передбачену лінію розрізу перед лезом пили або позаду нього.** Не тримайте заготовку «перехрещеними руками», тобто не ставте ліву руку праворуч від леза чи навпаки, це дуже небезпечно.

**ф) Коли лезо обертається, не простягайте руку за перегородку ближче ніж на 100 мм від будь-якого боку леза, щоб прибрати обрізки деревини, або з будь-якою іншою метою.** Не завжди можна оцінити, наскільки близько рука розташовується від леза, що обертається, і ви можете отримати важку травму.

**г) Перед розрізанням огляньте заготовку. Якщо заготовка викривлена чи деформована, розташуйте її вигином убік перегородки та зафіксуйте зажимом. Вздвож лінії розрізання не повинно бути щілини між заготовкою, перегородкою та столом.** Викривлені чи деформовані заготовки можуть перекутитися чи зміститися, через що під час розрізання вони можуть зачепитися за лезо пили, що обертається. На заготовках не повинно бути цвяхів або сторонніх об'єктів.

**h) Перед використанням пили очистьте стіл від усіх інструментів, обрізків деревини тощо, залишивши лише заготовку.** Пила може з великою швидкістю викинути невеликі сторонні об'єкти, незакріплені шматки деревини чи інші об'єкти, якщо вони контактують із лезом, що обертається.

**і) Розрізайте лише одну заготовку за один раз.** Групу з кількох установлених одна на одну заготовок не можна належним чином зафіксувати зажимом або ремнем, і заготовки можуть зачепитися за лезо чи зміститися під час розрізання.

**j) Перед використанням переконайтеся в тому, що куторізну пилу встановлено чи закріплено на рівній твердій поверхні.** Робоча поверхня повинна бути рівною та твердою, щоб знизити ризик коливання пили.

**к) Плануйте свою роботу. Кожного разу, коли ви змінюєте налаштування нахилу чи кута розрізання, перевіряйте, чи правильно встановлено налаштовану перегородку, яка повинна підтримувати заготовку та не перешкоджати роботі леза чи запобіжній системі.** Не вмикаючи інструмент і не встановлюючи заготовку на стіл, проведіть лезо пили через усю умовну лінію розрізу та переконайтеся в тому, що лезо не наشوухнеться на перегородку та не пошкодить її.

**l) Якщо довжина чи ширина заготовки перевищує розміри столу, використовуйте необхідну опору, наприклад додаткові секції столу, підставки тощо.** Без належного закріплення заготовки, довжина чи ширина яких перевищує розміри столу куторізної пили, можуть перекинутися. Якщо відрізнена частина чи заготовка перекинеться, вона може підняти нижній захисний щиток, або її може викинути лезо, що обертається.

**m) Не звертайтеся до іншої особи з проханням зафіксувати заготовку вручну.** Ненадійне закріплення заготовки може призвести до защемлення леза або до зміщення заготовки під час розрізання, внаслідок чого ви або помічник можете попасти під лезо, що обертається.

**n) Заборонено будь-яким чином притискати чи штовхати частину, що відрізається, у напрямку до леза під час його обертання.** Якщо частину, що відрізається, зафіксовано, наприклад за допомогою упорної лінійки, вона може перешкоджати роботі леза, і її може бути викинуто під дією сили обертання.

**o) Для фіксації круглих матеріалів, наприклад стовбурів чи труб, завжди використовуйте зажим або спеціальне приладдя для кріплення.** Стовбури мають тенденцію до обертання під час розрізання, через що пила може захопити заготовку та затягнути її та ваші руки під лезо.

**p) Перед розрізанням заготовки лезо повинно досягти повної швидкості обертання.** Це знизить ризик викидання заготовки.

**q) У разі защемлення леза чи заготовки вимкніть пилу. Дочекайтеся зупинки всіх рухомих частин, вимкніть штепсель із розетки живлення та/або від'єднайте акумулятор. Потім видавіть матеріал, який перешкоджає роботі.** Якщо ви продовжуєте роботу, коли заготовку заклинено, ви можете втратити контроль або пошкодити пилу.

**r) Після розрізання вимкніть перемикач, опустіть головку пили та дочекайтеся зупинки леза, перш ніж виймати відрізану частину.** Не наближайте руки до леза, що рухається за інерцією, це небезпечно.

**s) Міцно тримайте ручку, коли ви робите неповний надріз або якщо ви вимикаєте перемикач, перш ніж головка пили встановиться в крайньому нижньому положенні.** Під дією гальмівної сили головка пили може раптово зміститися вперед, що становить загрозу поранення.

#### ЛЕЗО ДЛЯ РОЗРІЗАННЯ ДЕРЕВИНИ ВКАЗІВКИ З ТЕХНІКИ БЕЗПЕКИ ДЛЯ

Перед використанням леза пили та станка в цілому уважно прочитайте цей посібник й інструкції.

Станок повинен бути в належному стані, шпindel повинен бути не пошкодженим і обертатися без вібрації.

Не використовуйте пилу, якщо захисні щитки не встановлено, підтримуйте захисні щитки в належному стані та виконуйте необхідне обслуговування.

Переконайтеся в тому, що оператор пройшов належне навчання з техніки безпеки, налаштування й експлуатації станка.

Під час використання станка завжди носіть захисні окуляри та засоби захисту слуху. Рекомендується носити рукавиці, міцні нековзані черевики та фартух.

Перед використанням допоміжного приладдя див. відповідні інструкції в посібнику. Неправильне використання допоміжного приладдя може спричинити пошкодження обладнання та підвищує ризик поранення.

Використовуйте тільки леза, вказані в цьому посібнику, що відповідають стандарту EN 847-1.

Не перевищуйте максимальну швидкість обертання, вказану на лезі пили. Переконайтеся в тому, що швидкість, вказана на лезі пили, щонайменше дорівнює швидкості, вказаній на пилі. Використовувати пилкові диски завжди необхідного розміру та з відповідним отвором для кріплення. Пилкові диски, які не пасують до деталей кріплення пилки, працюють не плавно та ведуть до втрати контролю.



УКР

Не використовуйте леза з діаметром більше чи менше рекомендованого. Для встановлення леза на шпиндель не використовуйте будь-які вставки.

Перед кожним використанням перевіряйте зубці леза на наявність пошкоджень або відхилень від норми. Пошкоджені чи надламані зубці можуть відлетіти під час роботи та підвищують ризик поранення.

Пилкові полотна з тріщинами або деформовані диски використовувати не можна! Не використовувати пилкові диски, що пошкоджені або деформовані.

Якщо лезо пили пошкоджено, деформовано, викривлено чи має тріщини, утилізуйте його; ремонт не допускається.

Не використовувати пилкові диски, вироблені з швидкокорозійної сталі.

Переконайтеся в тому, що лезо пили встановлено правильно. Перед використанням надійно затягуйте гайку на оправці (зусилля затягування близько 12 Н·м).

Затягуйте кріпильні гвинти та гайки за допомогою відповідного гайкового ключа чи аналогічного інструмента.

Подовження гайкового ключа чи затягування ударами молотка не допускаються.

Переконайтеся в тому, що лезо та фланці мають чисту поверхню і що утоплені сторони обруча притиснуто до леза.

Переконайтеся в тому, що лезо обертається у правильному напрямку.

Перед роботою зробіть тренувальний розріз з увімкненим двигуном, щоб перевірити заготовку, положення леза та роботу захисних пристроїв із урахуванням інших деталей станка.

У жодному разі не залишайте машину без нагляду.

Не змашуйте лезо, коли воно обертається.

У жодному разі не виконуйте роботи з очищення й обслуговування, якщо станок ще працює й голову не встановлено в положення вимикання.

У жодному разі не намагайтеся зупинити станок, що працює, притиснувши інструмент або будь-що інше до леза, це може призвести до нещасних випадків.

Перед заміною леза чи проведенням техобслуговування від'єднуйте пилу від живлення чи виймайте акумуляторну батарею.

Будьте обережні під час розпакування та запакування леза, ви можете легко поранитися гострими зубцями леза.

Під час зняття чи встановлення леза пили використовуйте пристрої для кріплення леза чи носіть рукавиці.

Зберігайте лезо в оригінальній або іншій придатній упаковці в сухому приміщенні подалі від хімічних речовин, які можуть пошкодити лезо.

## ДОДАТКОВІ ІНСТРУКЦІЇ З ТЕХНІКИ БЕЗПЕКИ ТА ЕКСПЛУАТАЦІЇ

Завжди фіксуйте заготовку надійним і безпечним чином.

Завжди забезпечувати стійке положення машини (наприклад, закріпити на верстаті)..

Користуйтеся засобами захисту органів слуху. Вплив шуму може спричинити втрату слуху.

Під час роботи з машиною завжди носити захисні окуляри. Під час роботи з лезами та грубими матеріалами рекомендується носити рукавиці, а також міцні нековзні черевики, які захищають ноги у разі падіння робочої заготовки з області розрізання.

Перед налаштуванням, змашуванням або будь-якими операціями з обслуговування продукту виймайте вилку живлення з розетки електромережі.

Під'єднати машину до штепсельної розетки тільки в вимкненому стані.

У жодному разі не простягайте руку в напрямку леза до його повної зупинки.

Перед використанням завжди ретельно перевіряйте інструмент на наявність пошкоджень чи ознак зношення матеріалу. Ремонт пошкоджених деталей доручається лише фахівцям.

Обов'язково користуватися захисним обладнанням машини. Не використовуйте станок, якщо захисні щитки не встановлено чи якщо вони не функціонують належним чином.

Відкрийте нижній захисний щиток леза тільки тоді, коли лезо опущено та спирається на заготовку. Щиток повинен завжди переміщуватися вільно та автоматично закриватися..

Для підтримки заготовки під час експлуатації завжди фіксуйте заготовку та використовуйте тримачі подовжувальної планки.

У жодному разі не вносьте зміни чи модифікації в конструкцію пили чи її функціональних елементів. Це може вплинути на вашу безпеку.

Не використовуйте леза пили, якщо вони пошкоджені, деформовані чи мають тріщини.

Не використовувати пилкові диски, вироблені з швидкокорозійної сталі.

Використовуйте тільки гострі леза пили. Замінійте затуплені леза на нові.

Використовувати пилкові диски завжди необхідного розміру та з відповідним отвором для кріплення.

Пилкові диски, які не пасують до деталей кріплення пилки, працюють не плавно та ведуть до втрати контролю.

Використовуйте тільки леза для деревообробки, вказані в цьому посібнику, що відповідають стандарту EN 847-1.

Для кріплення леза пили використовуйте тільки ті фланці, шайби та гайки, які входять у комплект поставки чи вказані в цьому посібнику.

Вибрати пилковий диск відповідно до оброблюваного матеріалу. У жодному разі не використовуйте продукт для розрізання матеріалів, не вказаних у розділі «Цільове призначення» цього посібника.

Важливо уникати перегрівання леза та розплавлення пластикої заготовки під час розрізання.

Необхідно витримувати максимальну кількість обертів, вказану на пилковому диску. Використовуйте тільки лезо пили, призначене для швидкості обертання (див. маркування), що



дорівнює вказаній на інструменті швидкості обертання, або більше.

Замінійте пластину для пропили в разі зношення чи пошкодження.

Перед роботою зробіть тренувальний розріз з увімкненим двигуном, щоб перевірити заготовку, положення леза та роботу захисних пристроїв із урахуванням інших деталей станка.

Відрегулювати направляючий упор для різання під кутом, з нахилом або для комбінованого різання так, щоб встановити правильний зазор для подавання.

Під час транспортування продукту стопор кронштейна повинен бути задіяний.

На підлозі не повинно бути залишків матеріалів - стружки та тирси.

Не видаляти стружку або інші частини заготовок з області пиляння, коли машина працює і голівка пилки не знаходиться в положенні зупинки.

Для довгих заготовок необхідні відповідні опори. До робочої області пили належить уся поверхня заготовки. Оператор повинен обмежити цю область, запобігаючи контакту інших осіб із заготовкою та захистивши її від об'єктів, які можуть перемістити заготовку під час експлуатації.

Пил, що утворюється під час роботи, часто буває шкідливим для здоров'я; він не повинен потрапляти в організм. Використовувати засоби для відсмоктування пилу та додатково носити відповідну маску для захисту від пилу. Відкладення пилу ретельно видаляти, наприклад, пилососом.

Не замінійте світлодіод або лазер пристроями іншого типу. Усі ремонтні роботи повинні виконуватися виробником або уповноваженим представником із обслуговування.

Короточасні піки напруги призводять до коливання напруги та можуть впливати на інші електричні вироби в тій самій лінії струму. Підключайте прилад до лінії енергоживлення з загальним опором 0,3 Ом, щоб знизити до мінімуму коливання напруги. Подальшу інформацію можна отримати у вашій організації енергопостачання.

#### ВКАЗІВКИ З ТЕХНІКИ БЕЗПЕКИ ДЛЯ ЛАЗЕР

Лазерне випромінювання, що використовується в цій пилі, відноситься до класу II з максимальною потужністю  $P \leq 1$  мВт і довжиною хвилі  $\lambda$ : 650 нм. Не розглядайте промінь безпосередньо за допомогою оптичних приладів. Невиконання цих правил може спричинити тяжке поранення.

Не дивіться в промінь під час роботи.

Не спрямовуйте лазерний промінь безпосередньо в очі іншим людям. Це може спричинити ураження очей.

Не розташовуйте лазер таким чином, коли хто-небудь може випадково чи навмисно подивитися в лазерний промінь.

Не використовуйте оптичні пристрої, щоб розглядати лазерний промінь.

Не працюйте з лазером поблизу дітей і не дозволяйте дітям експлуатувати лазерний пристрій.

Не намагайтеся самостійно відремонтувати лазерний пристрій. Не намагайтеся самостійно замінювати будь-які деталі лазерного пристрою.

Усі ремонтні роботи повинні виконуватися виробником або уповноваженим представником із обслуговування.

Не замінювати вбудований лазер іншим.

#### ВИКОРИСТАННЯ ЗА ПРИЗНАЧЕННЯМ

Ковзна композитна куторізна пила призначена для розпили суцільної деревини чи зв'язаних дерев'яних заготовок із приклеваним шаром фанери чи без нього, для розпили пластику й деревоподібних матеріалів.

Ковзна композитна куторізна пила призначена для використання виключно дорослими операторами, що були ознайомлені з цим посібником і усвідомлюють ризики й небезпеки.

Ковзна композитна куторізна пила призначена для кріплення за основу до суцільної стільниці. Якщо основу не закріплено належним чином, весь станок може переміщуватися під час операцій розрізання, що підвищує імовірність поранення.

Ковзна композитна куторізна пила призначена для виконання скошених і кутових зрізів. Товщину розрізання для різних зрізів наведено в специфікації продукту в цьому посібнику.

Ковзна композитна куторізна пила призначена для використання в сухих приміщеннях із добрим загальним освітленням і належною вентиляцією.

Ковзна композитна куторізна пила призначена для використання кінцевим споживачем і лише описаним вище чином; заборонено використовувати пилу для будь-якої іншої потреби.

#### ЗАЛИШКОВІ НЕБЕЗПЕКИ

Навіть у тому випадку, якщо ковзна композитна куторізна пила використовується згідно з інструкціями, неможливо повністю виключити певні залишкові фактори ризику. Можуть виникати вказані нижче ризики, й оператор повинен звертати особливу увагу, щоб уникати їх.

- Ризик контакту з незакритими частинами леза пили, що обертається.
- Зворотний удар від робочих заготовок або їх частин внаслідок неправильного налаштування чи неналежного поводження.
- Викидання зламаних карбідних зубців від леза пили.
- Існує ризик ураження дихальної системи.

**ПРИМІТКА:** Носіть захисні респіраторні маски з фільтрами, що відповідають оброблюваному матеріалом.

Забезпечте належну вентиляцію робочої області. Не вживайте їжу та напої, не паліть у робочій області.

У разі відмови від використання ефективних засобів захисту слуху може статися ураження органів слуху.

#### ПОПЕРЕДЖЕННЯ

Пил від певних красок, покриттів і матеріалів може спричиняти подразнення чи алергічну реакцію органів дихання. Пил від таких матеріалів, як дуб, бук, МДФ тощо має канцерогенні властивості. Робота з азбестовмісним матеріалом і його обробка може виконуватися лише кваліфікованими спеціалістами.

#### ПОПЕРЕДЖЕННЯ

Тривале використання інструмента може спричинити чи погіршити поранення. Якщо інструмент використовується протягом тривалого часу, обов'язково робіть регулярні перерви.



## ВИВЧИТЬ СВІЙ ПРОДУКТ

Див. сторінку А.

1. Ручка, ізовольована поверхня контакту
2. Кнопка перемикачання
3. Важіль блокування захисного елемента
4. Зовнішній фланець
5. Лезо пили
6. Нижній захисний щиток
7. Нерухома напрямна
8. Пластина пропилу
9. Важіль блокування обертання столу
10. Верхня ручка
11. Верхній захисний щиток
12. Лоток для збору пилу
13. Ручка зупинки праміолінійного стрижня
14. Захисим
15. Важіль блокування кута нахилу
16. Ковзна напрямна
17. Тримач заготовки
18. Подовжувальна планка
19. Монтажні отвори x4
20. Поворотний стіл
21. Шкала скошування
22. Гвинт регулювання кута нахилу 45°
23. Гвинт регулювання кута нахилу 90°
24. Вимикач світлодіодного освітлення
25. Вимикач лазера
26. Кнопка блокування шпинделя
27. Пластина регулювання глибини розрізання
28. Ручка регулювання глибини розрізання

## ПЕРЕЛІК ЗАПЧАСТИН

- PS 216 L: Торцювальна та вусорізна пилка EN 847-1/ ø216 x ø30 x 2,4 / 48T / HW / п макс. 7000 min-1 (сторінку А: No. 5)
- PS 254 L: Торцювальна та вусорізна пилка EN 847-1/ ø254 x ø30 x 2,6 / 48T / HW / п макс. 7400 min-1 (сторінку А: No. 5)
- КПластина пропилу (сторінку А: No. 8)

## ПІДКЛЮЧЕННЯ ДО МЕРЕЖИ

Підключати лише до однофазного змінного струму і напруги мережі, які вказані на фірмовій таблиці з паспортними даними. Можливе підключення також до штепсельних розеток без захисного контакту, адже конструкція має клас захисту II.

Штепсельні розетки за межами приміщень та на вологих ділянках повинні бути оснащені автоматичним запобіжним вимикачем, який спрацьовує при появі струму витоку (FI, RCD, PRCD). Для цього необхідні монтажні інструкції для вашої електричної системи. Майте це на увазі при користуванні нашим приладом.

Під'єднати машину до штепсельної розетки тільки в вимкненому стані.

З'єднувальний кабель завжди тримати за межами радіуса дії машини. Вести кабель завжди позаду машини.

Перед кожним використанням пристрій, з'єднувальний кабель, подовжувач для акумуляторної батареї та штекер необхідно перевірити на наявність ознак пошкодження або старіння. Ремонт пошкоджених деталей доручається лише фахівцеві.

Короточасні піки напруги призводять до коливання напруги та можуть впливати на інші електричні вироби в тій самій лінії струму. Підключайте прилад до лінії енергоживлення з загальним опором 0,3 Ом, щоб знизити до мінімуму коливання напруги.

Подальшу інформацію можна отримати у вашій організації енергопостачання.

## ОБСЛУГОВУВАННЯ

Не вносьте будь-які модифікації в конструкцію пили та не використовуйте приладдя, не затверджене виробником. Це може вплинути на вашу безпеку та безпеку інших людей.

Не використовуйте пилу, якщо будь-які вимикачі, захисні щитки та інші функціональні елементи не працюють належним чином. Поверніть обладнання в уповноважений центр обслуговування для професійного ремонту чи налаштування.

Не виконуйте будь-які операції з налаштування, коли лезо пили рухається.

Перед налаштуванням, змашуванням або будь-якими операціями з обслуговування продукту виймайте вилку живлення з розетки електромережі.

Перед кожним використанням і після нього перевіряйте пилу на наявність пошкоджень і зламаних деталей та підтримуйте її в належному робочому стані, негайно замінюючи деталі запчастинами, затвердженими виробником.

Після використання лезо має дуже високу температуру, перед виконанням операцій з обслуговування чи очищення надягайте рукавиці.

Видаляйте пил, що накопичується, за допомогою щітки чи пилососа. Не використовуйте стиснене повітря.

Для забезпечення безпеки та надійності всі ремонтні роботи, включно з заміною щіток, необхідно виконувати в уповноваженому центрі обслуговування.

Чистити прилад та захисний пристрій сухою серветкою.

Завжди підтримувати чистоту вентиляційних отворів.

Якщо потребується заміна шнура живлення, для уникнення небезпеки вона повинна виконуватися виробником або його представником.

Використовувати комплектуючі та запчастини тільки від AEG. Деталі, заміна яких не описується, замінювати тільки в відділі обслуговування клієнтів AEG (зверніть увагу на брошуру "Гарантія / адреси сервісних центрів").

У разі необхідності можна запросити креслення з зображенням вузлів машини в перспективному вигляді, для цього потрібно звернутися в ваш відділ обслуговування клієнтів або безпосередньо в Techtronic Industries GmbH, Max-Eyth-Straße 10, 71364 Winnenden, Німеччина, та вказати тип машини та шестизначний номер на фірмовій таблиці з даними машини.





## СЕРТИФІКАТ ВІДПОВІДНОСТІ ВИМОГАМ ЄС

Ми заявляємо на власну відповідальність, що виріб, описаний в "Технічних даних", відповідає всім застосовним положенням директиви

2011/65/EU (RoHS)

2006/42/EC

2014/30/EU

та наступним гармонізованим нормативним документам:

EN 62841-1:2015

EN 62841-3-9:2015+A11:2017

EN 55014-1:2017

EN 55014-2:2015

EN 61000-3-2:2014

EN 61000-3-11:2000

EN IEC 63000:2018



Winnenden, 2019-03-08

Alexander Krug / Managing Director  
Уповноважений із складання технічної документації.

Techtronic Industries GmbH  
Max-Eyth-Straße 10, 71364 Winnenden, Germany

## СИМВОЛИ



**УВАГА! ПОПЕРЕДЖЕННЯ! НЕБЕЗПЕЧНО!**



Перед будь-якими роботами на машині витягнути штекер із штепсельної розетки.



**ПОПЕРЕДЖЕННЯ-**Щоб зменшити ризик травмування, користувач повинен прочитати інструкцію з експлуатації!



Під час роботи з машиною завжди носити захисні окуляри.



Використовувати засоби захисту органів слуху!



Носити захисні рукавиці!



Руки ніколи не повинні знаходитися в області пилкового диску.



Пристрій підходить тільки для використання в приміщеннях, не виставляти пристрій під дощ.



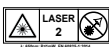
Лоток для збору пилу порт підключення



Розрізайте лише деревину.



Не дивитися в лазерний промінь



Виріб відповідає класу лазера 2 згідно з EN 60825-1:2014.



$\varnothing$  пилкового диску x  $\varnothing$  отвору



Напрямок обертання



Зубці леза



Ширина розрізу

$n_0$

Кількість обертів холостого ходу

$V$

Напруга



Змінний струм



Електроінструмент класу захисту II. Електроінструмент, в якому захист від враження електричним струмом залежить не лише від базової ізоляції, але й від використовуваних додаткових засобів захисту, таких як подвійна ізоляція або посилена ізоляція.

Немає пристроїв для підключення захисного з'єднання.



Електричні прилади не можна утилізувати з побутовими відходами. Електричні та електронні прилади необхідно збирати окремо та здавати в спеціалізовані підприємства для утилізації, що не шкодить навколишньому середовищу. Зверніться до місцевих органів або до вашого дилера, щоб отримати адреси пунктів вторинної переробки та пунктів прийому.



Європейський знак відповідності



Український знак відповідності



Євразійський знак відповідності





في نارك وأل قفاوتل ا عمال ع

في ويس أل ا في بر وأل ا قفاوتل ا عمال ع



تنبيه! تحذير! خطراً!



افصل دائماً القابس عن المقبس قبل تنفيذ أي عمل بالجهاز.



تحذير- للحد من خطر الإصابة، يتعين على المستخدم قراءة دليل التعليمات!



ارتد دائماً نظارات الوقاية عند استخدام الجهاز.



ارتد واقيات الأذن!



ارتد القفازات!



احتفظ دائماً بيدك بعيداً عن مسار شفرة المنشار.



هذه الأداة مناسبة للاستخدام الداخلي فقط. لا تُعرض الآلة للمطر مطلقاً.



منفذ تفريغ تيار الغبار



اقطع الخشب فقط.



لا تحدد في الشعاع.

يتوافق هذا المنتج مع فئة الليزر 2 وفقاً لمعيار EN 60825-1:2014.



قطر شفرة المنشار x قطر الثقب



اتجاه دوران



سن النصل



عرض القطع



$n_0$  أقصى سرعة دون وجود حمل

$V$  الجهد الكهربى

التيار المتردد



أداة كهربائية ذات درجة حماية 2 أداة كهربائية لا تتوقف الحماية فيها من الصعق الكهربائي ليس فقط على العزل الأساسي، بل أيضاً على إجراءات الحماية الإضافية، مثل العزل المزدوج أو العزل المقوى.

ليس هناك تجهيزة لتوصيل تاريض واقى يحظر التخلص من الأجهزة الكهربائية في القمامة المنزلية. يجب جمع الأجهزة الكهربائية والإلكترونية منفصلة وتسليمها للتخلص منها بشكل لا يضر بالبيئة لدى شركة إعادة استغلال. الرجاء الاستفسار لدى الهيئات المحلية أو لدى التجار المتخصصين عن مواقع إعادة الاستغلال ومواقع الجمع.



نعلن تحت مسؤوليتنا وحدنا أن المنتج المعين تحت اسم "البيانات الفنية" يستوفي جميع الأحكام ذات الصلة ضمن التوجيهات

2011/65/EU (RoHS)  
2006/42/EG  
2014/30/EU

والمعايير المتسقة التالية

EN 62841-1:2015  
EN 62841-3-9:2015+A11:2017  
EN 55014-1:2017  
EN 55014-2:2015  
EN 61000-3-2:2014  
EN 61000-3-11:2000  
EN IEC 63000:2018

2019-03-08 ,Winnenden



*Alexander Krug*

Alexander Krug / Managing Director  
معمتمة للمطابقة مع الملف الفني

Techtronic Industries GmbH  
Max-Eyth-Straße 10, 71364 Winnenden,  
Germany

لا تتم بتعديل هذا المنشار بأي شكل من الأشكال ولا تستخدم ملحقات غير معتمدة من قبل الشركة المصنعة. قد تُعرض سلامتك وسلامة الآخرين للخطر.

لا تستخدم المنشار في حالة عدم عمل أي مفاتيح أو أدوات حماية أو غيرها من الوظائف كما ينبغي. ارجع إلى مركز صيانة معتمد للحصول على عمليات إصلاح أو ضبط محترفة. لا تجر أي عمليات ضبط أثناء حركة شفرة المنشار.

تأكد دائماً من فصل القابس عن المقبس، قبل إجراء عمليات الضبط أو التشحيم، أو عند إجراء أي صيانة على المنتج. قبل وبعد كل استخدام، تحقق من المنشار للتأكد من عدم وجود تلف أو أجزاء مكسورة وحافظ عليه في أفضل حالة عمل عن طريق استبدال الأجزاء على الفور بقطع غير معتمدة من قبل الشركة المصنعة.

تكون الشفرة ساخنة جداً بعد الاستخدام، فارتد قفازات أو اتركها لتبرد قبل إجراءات الصيانة أو التنظيف.

نظف الغبار المتراكم باستخدام فرشاة أو مكنسة كهربائية. لا تستخدم الهواء المضغوط.

لضمان السلامة والموثوقية، ينبغي إجراء جميع الإصلاحات، بما في ذلك تغيير الفرش، بواسطة مركز صيانة معتمد. نظف الجهاز وحاجب الحماية بفضة جافة.

يجب أن تكون فتحات تهوية الجهاز نظيفة طوال الوقت. إذا كان من الضروري استبدال السلك الكهربائي يجب أن يتم ذلك بمعرفة الشركة المصنعة أو وكيلها لتجنب أية مخاطر تهدد السلامة.

استخدم ملحقات AEG وقطع الغبار التابعة لها فقط. إذا كانت المكونات التي يجب تغييرها غير مذكورة، يرجى الاتصال بأحد عملاء صيانة AEG (انظر قائمة عناوين الضمان/الصيانة الخاصة بنا).

عند الحاجة يمكن طلب رمز انفجار الجهاز بعد ذكر طراز الآلة والرقم السداسي المذكور على بطاقة طاقة الآلة لدى جهة خدمة العملاء أو مباشرة لدى شركة

Techtronic Industries GmbH, Max-Eyth-Straße  
10, 71364 Winnenden  
ألمانيا



## شروط الاستخدام المحددة

يهدف منشار تلسين مجمع الشرائح إلى نشر الأخشاب الصلبة والمجمعة مع أو بدون قشرة لاصقة أو مواد بلاستيكية أو مواد مماثلة للخشب.

يهدف منشار تلسين مجمع الشرائح للاستخدام فقط من قبل المشغلين البالغين الذي قرأوا دليل التعليمات وفهموا المخاطر والأخطار.

تم تصميم منشار تلسين مجمع الشرائح ليتم تثبيته من القاعدة في منصة صلبة. إذا لم يتم تثبيت القاعدة بشكل آمن، فقد يتحرك الجهاز كله أثناء عمليات القطع، مما يزيد من احتمالية الإصابة الشخصية الخطيرة.

تم تصميم منشار تلسين مجمع الشرائح لعمل عمليات قطع مائلة الحواف ومشطوبة. يتم توفير قدرات مختلف عمليات القطع في مواصفات المنتج بهذا الدليل.

ينبغي استخدام منشار تلسين مجمع الشرائح في الظروف الجافة ومع وجود إضاءة محيطية ممتازة ونهوية كافية.

تم تخصيص منشار تلسين مجمع الشرائح لاستخدام العملاء ولا ينبغي استخدامه إلا بالطريقة الموضحة أعلاه وغير مخصص للاستخدام لأي غرض آخر.

## المخاطر المتبقية

حتى عند استخدام منشار تلسين مجمع الشرائح على النحو المنصوص عليه، فلا يزال من المستحيل القضاء نهائياً على بعض عوامل الخطر المحتملة قد تنشأ المخاطر التالية وينبغي على المشغل الحذر الشديد لتجنب ما يلي:

- خطر التلامس مع الأجزاء المكشوفة لشفرة المنشار الدوارة.
- ارتداد لقطع العمل أو أجزاء من قطع العمل بسبب الضبط أو المعالجة غير السليمة.
- قذف لأطراف الكريبيد المعيبة من شفرة المنشار.
- ضرر بالجهاز التنفسي.

ملاحظة: ارتد أذنيك لحماية الجهاز التنفسي تحتوي على مرشحات مناسبة للمواد التي يتم التعامل بها. تأكد من التهوية الكافية في مكان العمل. لا تأكل أو تشرب أو تدخن في منطقة العمل. ضرر بحاسة السمع إذا لم يتم ارتداء واقي سمع.

## تحذير

قد يتسبب الغبار الناتج عن طلاءات ومواد معينة في تهيج أو رد فعل تحسسي للجهاز التنفسي. الغبار الناتج عن الخشب مثل البليوط والأزبان ومDF وغيره، يعد من المواد المسرطنة. ينبغي عدم العمل على المواد التي تحتوي على إسبستوس أو معالجتها، إلا بواسطة مشغلين متخصصين ومؤهلين.

## تحذير

قد تحدث الإصابات أو تتفاقم، من خلال الاستخدام المطول للداة. عند استخدام أي أداة لفترات مطولة، تأكد من أخذ فترات راحة منتظمة.

## تعرف على منتجك

راجع صفحة A.

1. مقبض، سطح قبض معزول
2. مفتاح زر الانطلاق
3. ذراع قفل واقي
4. فلانشة خارجية
5. شفرة نشر
6. واقي سفلي
7. حاجز ثابت
8. لوحة الشق
9. مقبض قفل القرص الدوار
10. مقبض علوي
11. واقي علوي
12. مجرى تفريغ الغبار
13. مقبض توقيف العمود الخفي
14. مشبك
15. ذراع قفل زاوية الشطب
16. حاجز انزلاقي
17. حامل قطعة العمل
18. وصلة تطويل
19. 4 ثقب تثبيت
20. قرص دوار
21. مقياس متري
22. برغي تعديل زاوية الشطب 45 درجة
23. برغي تعديل زاوية الشطب 90 درجة
24. مفتاح LED
25. مفتاح ليزر
26. زر قفل مغزلي الشكل
27. لوحة ضبط عمق القطع
28. مقبض ضبط عمق القطع

## قائمة قطع الغيار

- PS 216 L: منشار زاوية  
EN 847-1/ ø216 x ø30 x 2,4 / 48T / HW / n  
(A: No. 5) min-1 7000
- PS 254 L: منشار زاوية  
EN 847-1/ ø254 x ø30 x 2,6 / 48T / HW / n  
(A: No. 5) min-1 7400
- K: لوحة الشق (صفحة 8 (A: No. 8))

## توصيل الموصلات الرئيسية

قم بالتوصيل بتيار متردد أحادي الطور وبنظام الجهد الكهربائي المحدد على لوحة الجهد المقتن فقط. يمكن أيضاً التوصيل بالمقاييس غير الموضحة حيث يتطابق التصميم مع معايير سلامة الفئة الثانية لحماية الأجهزة الكهربائية.

يجب تزويد القوابس في الغرف الرطبة وفي الأماكن الخارجية بأزرار حماية ضد تيار العطل (FI, RCD, PRCD). هذا يتطلب تعليمات التركيب الخاصة بجهازك. الرجاء مراعاة ذلك عند استخدام جهازنا.

يتم توصيل القابص فقط عندما تكون الآلة مطفاة.

ابق السلك الرئيسي بعيداً عن نطاق عمل الجهاز. ابق دائماً السلك بعيداً عنك أو خلفك.

وقبل الاستخدام، تحقق من حالة الماكينة والكبل والقابص لاحتمال وجود أي تلف أو كلال بالمواد. يجب أن يقوم بتنفيذ الإصلاحات عملاء صيانة معتمدين.

يتسبب ارتفاع الطاقة في تذبذب فولتية التيار الكهربائي وقد يؤثر في المنتجات الكهربائية الأخرى الموجودة على نفس خط الطاقة. قم بتوصيل المنتج بمصدر طاقة ذي مقاومة تساوي 0.3 أوم لتقليل تذبذب فولتية التيار الكهربائي إلى الحد الأدنى.

تواصل مع مورد الطاقة الكهربائية للمزيد من التوضيح.

لا تقم بإجراء أي أعمال تنظيف أو صيانة أثناء تشغيل الجهاز وعدم وجود الرأس في موضع الراحة.

لا تحاول مطلقاً إيقاف الجهاز الذي يعمل بحركة سريعة عن طريق حشر أداة أو أية وسائل أخرى أمام الشفرة، فقد يتسبب ذلك في حوادث خطيرة عن غير قصد.

افصل المنشار عن مصدر إمداد التيار الكهربائي أو قم بإزالة حزمة البطارية قبل تعيد الشفرات أو القيام بأعمال صيانة. كن حذراً أثناء تعبئة أو فك تعبئة الشفرة، فمن السهل الإصابة من أطراف الشفرة الحادة.

استخدم حامل شفرات أو ارتد قفازات عند التعامل مع شفرة منشار.

احتفظ بالشفرة وخنزنها في مواد التعبئة الأصلية أو مواد تعبئة أخرى مناسبة، وحافظ عليها في ظروف جافة وبعيداً عن المواد الكيميائية التي قد تآكلت الشفرة.

## إرشادات أمان وعمل إضافية

أحجم دائماً تثبيت قطعة العمل بسلامة وأمان.

تأكد دائماً من أن الماكينة ثابتة ومؤمنة (على سبيل المثال، مثبتة في طاولة العمل).

ارتد وفيات الأذن. ارت قد يسبب التعرض للضوضاء إلى فقدان السمع.

ارتد دائماً نظارة الوقاية عند العمل بالآلة. يوصى بارتداء قفازات عند التعامل مع الشفرات والمواد الخشنة، فضلاً عن ارتداء أحذية قوية مانعة للانزلاق لكي تحمي القدم من قطع العمل التي قد تقع من منطقة القطع.

تأكد دائماً من فصل القابس عن المقبس، قبل إجراء عمليات الضبط أو التشحيم، أو عند إجراء أي صيانة على المنتج.

يتم توصيل القابس فقط عندما تكون الآلة مطفاة.

لا تقرب أبداً من المنطقة القريبة من الشفرة، ما لم تكن الشفرة متوقفة تماماً.

قبل الاستخدام، تحقق بدقة من الأداة من حيث وجود تلف أو مواد منهكة. أو تقادم. الأجزاء التي بها أضرار يتم إصلاحها من شخص متخصص فقط.

استخدم دائماً درع الوقاية عند تشغيل الآلة. لا تستخدم الجهاز إذا لم تكن أدوات الحماية في مكانها وتعمل بشكل صحيح.

يجب ألا يُفتح واقي الشفرة السفلي إلا إن كانت الشفرة منخفضة نحو قطعة العمل، ويجب دائماً أن يكون بمقدوره الحركة بحرية والإغلاق أو توماتيكياً.

قم دائماً بتثبيت واستخدام حوامل وصلة التطويل؛ لدعم قطعة العمل أثناء التشغيل.

لا تقم بتغيير أو تعيد المنشار أو إحدى وظائفه مطلقاً. فقد تُعرض سلامتك للخطر.

لا تستخدم شفرات المنشار المتصدعة أو التالفة أو المشوهة.

لا تستخدم شفرات المنشار المصنوعة من صلب عالي السرعة.

لا تستخدم شفرات المنشار إلا إذا كانت حادة. استبدل الشفرات غير الحادة بأخرى جديدة.

استخدم دائماً الشفّن مقابل الشكل الدائري للثقوب المجوفة. تعمل الشفرات التي لا تتناسب مع جهاز التركيب بالمنشار بشكل غريب، مسببة فقدان السيطرة.

لا تستخدم سوى شفرات الأشغال الخشبية المحددة في هذا الدليل، التي تتوافق مع المعيار EN 847-1.

لا تستخدم أية حواف أو حلقات أو صواميل لتثبيت شفرة المنشار بخلاف المزودة أو المهيّنة في دليل التعليمات.

من الضروري اختيار شفرة المنشار التي تتناسب مع المادة المراد قطعها. لا تستخدم المنتج مطلقاً لقطع مواد بخلاف تلك المحددة في قسم "الاستخدام المقصود" في هذا الدليل.

من المهم تجنب السخونة المفرطة للشفرة وانصهار قطعة العمل البلاستيكية عند القطع.

من الأهمية بمكان الالتزام بحدود السرعة القصوى المحدد على شفرة المنشار. لا تستخدم سوى شفرة النشر المحدد عليها سرعة مساوية للسرعة المحددة على الآلة أو أعلى منها.

استبدل وليجة الطاولة عند تآكلها أو تلفها.

قبل التشغيل، قم بعمل قطع وهمي دون تشغيل المحرك حتى تتمكن من التحقق من موضع الشفرة ومن تشغيل أدوات الحماية بالنسبة لأجزاء الجهاز الأخرى والتحقق من قطعة العمل.

عند القيام بالقطوعات المائلة أو المخروطية أو الزاوية المركبة، قم بتعديل الحاجز المنزلق لضمان تخليص القطع من النصل بشكل صحيح.

يجب أن يكون حاجز القوس معشّقاً دائماً، عند نقل المنتج.

حافظ على نظافة الأرضية من بقايا المواد المفككة مثل، الشطابيا وفضلات القطع.

لا تعمل على إزالة أي فضلات للقطع أو غيرها من أجزاء قطعة العمل من منطقة القطع أثناء تشغيل الماكينة وحينما يكون رأس المنشار ليس في وضع السكون.

يجب دعم قطع العمل الطويلة بشكل كافٍ لتشمل منطقة عمل المنشار كامل نطاق قطعة العمل. لذلك، يجب على المشغل تأمين هذه المنطقة من المس العرضي من قبل أشخاص آخرين، أو أشياء أخرى قد تُحرك قطعة العمل في أثناء التشغيل.

قد تكون الأتربة الناتجة عن استخدام هذه الآلة ضارة بالصحة. لا تستنشق هذه الأتربة. استخدم نظام امتصاص الأتربة وارتد قناعاً وقيماً من الأتربة مناسباً. قم بإزالة الأتربة الموجودة تماماً، باستخدام المكنسة الكهربائية على سبيل المثال.

لا تستبدل المصباح LED أو الليزر بنوع آخر. لا يجب إجراء أي إصلاحات إلا بواسطة الشركة المصنعة أو وكيل صيانة معتمد.

يتسبب ارتفاع الطاقة في تذبذب فولطية التيار الكهربائي وقد يؤثر في المنتجات الكهربائية الأخرى الموجودة على نفس خط الطاقة. قم بتوصيل المنتج بمصدر طاقة ذي مقاومة تساوي 0.3 أوم لتقليل تذبذب فولطية التيار الكهربائي إلى الحد الأدنى. تواصل مع مورد الطاقة الكهربائية للمزيد من التوضيح.

## تعليمات السلامة لليزر

أشعة الليزر المستخدمة في هذا المنشار من الفئة II آل موجية P<1 ميجاوات و650:8 نانومتر بحد أقصى. لا تنظر بشكل مباشر على الأدوات البصرية. قد يؤدي عدم الامتثال لهذه القواعد إلى حدوث إصابات شخصية خطيرة.

لا تحدث في الشعاع أثناء التشغيل.

لا تسلط الشعاع الليزر مباشرة باتجاه عيون الآخرين. فقد يؤدي ذلك إلى إصابة خطيرة في العين.

لا تضع لليزر في موضع قد يتسبب في تحديق أحد الأشخاص على شعاع الليزر بقصد أو عن غير قصد.

لا تستخدم الأدوات البصرية لعرض شعاع الليزر.

لا تقم بتشغيل الليزر حول الأطفال أو تسمح لهم بتشغيله.

لا تحاول إصلاح الليزر بنفسك.

لا تحاول تغيير أي جزء من أجزاء جهاز الليزر بنفسك.

لا يجب إجراء أي إصلاحات إلا بواسطة الشركة المصنعة أو وكيل صيانة معتمد.

حرك حاجز القطع بعيداً عن مسار العمل عند القطع المتعمد.



**(g) أقص** قطعة الشغل المراد قطعها جيدا قبل القطع، فإذا كانت ملتوية أو مقوسة فقم بتثبيتها بحيث يصبح الوجه المنبجج ناحية الحاجز. واحرص دائما على عدم وجود أي فراغ بين قطعة الشغل والحاجز والطاولة بطول مسار القطع. حيث أن قطعة الشغل الملتوية أو المقوسة قد تتدثني أو تتحرك وتؤدي إلى انحسار نصل المنشار الدوار أثناء القطع. واحرص على عدم وجود أية مسامير أو أجسام غريبة في قطعة الشغل.

**(h) قبل استعمال المنشار** احرص على تنظيف الطاولة من أية أدوات أو نشارة خشب أو غيرها باستثناء قطعة الشغل. إذ أن قطع الخشب الصغيرة أو الأجزاء المنحلة وغيرها من الأشياء التي تلامس نصل المنشار أثناء دورانه قد تُقذف بسرعة كبيرة.

**(i) اكتفي** بقطع قطعة شغل واحدة فقط في كل مرة. إذ لا يمكن تثبيت أو احتواء عدة قطع معاً بإحكام كافٍ وقد تؤدي إلى التواء نصل المنشار أو انخلاعها.

**(j) قبل البدء في استخدام منشار التلسين، احرص على وضع** المنشار على سطح مستو وثابت. إذ أن السطح المستوي والثابت سيحد من خطر اهتزاز المنشار.

**(k) خطط للعمل** قبل تنفيذه. وفي كل مرة تقوم فيها بتغيير زاوية أو ميل التلسين احرص على ضبط الحاجز المتحرك في التلاصق الصحيح المناسب لتثبيت قطعة الشغل. ويحدث لا يتلامس مع نصل المنشار أو الوافي. قبل تشغيل المنشار أو وضع قطعة الشغل على الطاولة قم بمحاكاة مسار القطع بالكامل لكي تتأكد من عدم وجود أي تداخل بين مسار النصل والحاجز أو احتمال تعرض الحاجز للقطع.

**(l) إذا كانت قطعة الشغل أطول أو أعرض من الطاولة فأحرص على** سند قطعة الشغل بما يكفي، باستخدام تطويلة للطاولة أو حضان المنشار. علماً بأن قطعة الشغل الأطول أو الأعرض من سطح الطاولة قد تتعرض للميلان إذا لم تكن مثبتة بإحكام. وعندما تميل قطعة الشغل فقد تؤدي إلى رفع الوافي أو قد تُقذف بفعل النصل الدوار.

**(m) لا تستعن بأي شخص لمساعدتك في تثبيت قطعة الشغل** إذا كانت طول أو أعرض من الطاولة. لأن قطعة الشغل المنحلة قد تؤدي إلى انثناء نصل المنشار أو تحرك قطعة الشغل أثناء القطع وسحبك أنت ومن يساعدك في تثبيتها باتجاه النصل.

**(n) احرص على عدم ضغط أو حشر** قطعة الشغل في نصل المنشار أثناء دورانه بأي حال من الأحوال. وإذا كانت قطعة الشغل منحصرة، كما في حالة الاستعانة بمصدمات لتحديد الطول المراد قطعه، فقد تصطدم بالنصل وتُقذف بعنف.

**(o) احرص دائماً على استخدام كلاب أو وسيلة تثبيت لغرض** تثبيت قطعة الشغل المستديرة مثل القضبان أو الأنابيب. حيث أن القضبان غالباً ما تدور أثناء قطعها فتؤدي إلى "تشتيت" النصل بها وسحب قطعة الشغل مع يدك باتجاه النصل.

**(p) اترك النصل** يصل إلى أقصى سرعة لدورانه قبل ملامسته لقطعة الشغل. إذ أن ذلك سوف يساعد كثيراً في الحد من خطر قذف قطعة الشغل.

**(q) إذا انحسرت قطعة الشغل أو النصل، فأوقف المنشار،** وانتظر قليلاً حتى تتوقف كافة الأجزاء الدوارة ثم افصل مصدر التيار وأو انزع البطارية ثم قم بإزالة المادة المحسورة. في حالة مواصلة القطع رغم انحسار قطعة الشغل فقد تفقد السيطرة على المنشار أو قد يتعرض للنلف.

**(r) بعد الانتهاء من القطع ارفع يدك عن زر التشغيل واخفض** رأس المنشار لأسفل وانتظر حتى يتوقف نصل المنشار تماماً قبل إبعاد قطعة الشغل المقطوعة. من الخطورة بمكان تقرب يدك من نصل المنشار أثناء دورانه.

### شفرة قطع الخشب تعليمات السلامة

يرجى قراءة الدليل والتعليمات بعناية قبل استخدام شفرة المنشار والجهاز.

يجب أن يكون الجهاز في حالة جيدة والمحور سليم لا يحتوي على تشوهات أو اهتزازات.

لا تستخدم المنشار بدون وضع أدوات الحماية في موضعها، وحافظ على أدوات الحماية في وضع تشغيل جيد وقم بصيانتها بشكل مناسب.

تأكد من تدريب المشغل بشكل كافٍ على احتياطات السلامة وعمليات ضبط وتشغيل الجهاز.

ارتد دائماً نظارات واقية وواقي للأذن عند استخدام الجهاز. يوصى بارتداء قفازات وأحذية قوية مانعة للانزلاق ومريضة واقية.

قبل استخدام أي ملحقات، راجع دليل التعليمات. يمكن أن يتسبب الاستخدام غير السليم لأحد الملحقات إلى التلف وزيادة احتمالية الإصابة.

لا تستخدم سوى الشفرات المحددة في هذا الدليل، المتوافقة مع المعيار EN 847-1.

لاحظ السرعة القصوى الموضحة على شفرة المنشار. تأكد من أن السرعة الموضحة على شفرة المنشار مساوية على الأقل للسرعة الموضحة على المنشار.

استخدم دائماً الشفن مقابل الشكل الدائري للثقوب المجوفة. تعمل الشفرات التي لا تتناسب مع جهاز التركيب بالمنشار بشكل غريب، مسببة فقدان السيطرة.

لا تستخدم شفرات بقطر أكبر أو أصغر من القطر الموصى به. لا تستخدم أية مبادعات لجعل الشفرة مناسبة على المحور.

تحقق من أطراف المنشار للتأكد من خلوها من أي أضرار أو مظاهر غير طبيعية قبل كل استخدام. قد تُشكل الأطراف التالفة أو المفككة أجساماً طائرة عند الاستخدام، مما يزيد من احتمالية الإصابة الشخصية.

لا تستخدم شفرات منشار مشقوقة أو معوجة. لا تستخدم شفرات المنشار التالفة أو المشوهة.

تخلص من شفرة المنشار في حالة تلفها أو تشوهها أو انحرافها أو تصدعها، وغير مسموح بإصلاحها.

لا تستخدم شفرات المنشار المصنوعة من صلب عالي السرعة.

تأكد من تثبيت شفرة المنشار بشكل صحيح، وإحكام ربط صامولة المحور بشكل آمن قبل الاستخدام (عزم إحكام الربط 12 نيوتن متر تقريباً).

يجب إحكام ربط براغي وصواميل التثبيت باستخدام مفتاح براغي مناسب، وما إلى ذلك.

غير مسموح باستخدام أداة تمديد لمفتاح البراغي أو إحكام الربط باستخدام ضربات المطرقة.

تأكد من نظافة الشفرة والحواف ومن أن الجوانب المجوفة للطوق مقابلة للشفرة.

تأكد من دوران الشفرة في الاتجاه الصحيح.

قبل التشغيل، قم بعمل قطع وهمي دون تشغيل المحرك حتى تتمكن من التحقق من موضع الشفرة ومن تشغيل أدوات الحماية بالنسبة لأجزاء الجهاز الأخرى والتحقق من قطعة العمل.

لا تترك الجهاز بدون مراقبة.

لا تضع مواد التشحيم على الشفرة أثناء التشغيل.

PS 254 L	PS 216 L	البيانات الفنية متشار زاوية *
4699 99 01 ... 4740 22 01 ... ... 000001-999999	4699 98 01 ... ... 000001-999999	إنتاج عدد
220-240 V, 50 HZ, 1800W, 8,7 A	220-240 V, 50 HZ, 1400W, 6,5 A	الدخل المقدر
4500 min <sup>-1</sup>	5000 min <sup>-1</sup>	أقصى سرعة دون وجود حمل
254 x 30 mm	216 x 30 mm	قطر شفرة المنشار x قطر الثقب
1,8 mm	1,6 mm	سمك هيكل شفرة المنشار الحد الأقصى
2,6 mm	2,4 mm	سمك سن شفرة المنشار الحد الأدنى
90 x 305 mm 90 x 215 mm 50 x 305 mm 50x 215 mm	65 x 305 mm 65 x 215 mm 36 x 305 mm 36 x 215 mm	الحد الأقصى لفتحة القطع القطع المائل 0° / الأسطح المائلة 0° القطع المائل 45° / الأسطح المائلة 0° القطع المائل 0° / الأسطح المائلة 45° القطع المائل 45° / الأسطح المائلة 45°
19,6 kg	16,7 kg	الوزن وفقاً لنهج EPTA رقم 01/2014
معلومات الضوضاء		
القيم التي تم قياسها محددة وفقاً للمعايير الأوروبية EN 62841 مستويات ضوضاء الجهاز، ترجيحاً بشكل نموذجي كالتالي:		
95,15 dB (A)	99,27 dB (A)	مستوى ضغط الصوت (الارتباب في القياس = 3 ديسيبل (A))
108,15 dB (A)	112,27 dB (A)	مستوى شدة الصوت (الارتباب في القياس = 3 ديسيبل (A))
ارتد واقبات الأذن!		



PS\* ≙ منشار زاوية

### تحذير!

تم قياس القيمة (القيم) المعلنه لإنبعاث الضوضاء، وفقاً لطريقة اختيار قياسية محددة في المواصفات 1-62841-EN 3-62841-EN، ويمكن استخدامها لمقارنة آلة مع أخرى. كما يمكن أيضاً استخدام قيمة (قيم) انبعاث الضوضاء المعلنه في تقييم أولي للتعرض.

يمكن أن تختلف انبعاثات الضوضاء أثناء الاستخدام الفعلي للأداة الكهربائية عن القيم المعلنه تبعاً للطرق التي يتم بها استخدام الأداة خاصةً ماهية قطعة الشغل التي تتم معالجتها.

حدد إجراءات الحماية التي تهدف لحماية المشغل والتي تستند إلى تقدير التعرض في ظروف الاستخدام الفعلية (مع الأخذ في الاعتبار جميع أجزاء دورة التشغيل مثل أوقات إيقاف تشغيل الأداة وحين تعمل في وضع التباطؤ بالإضافة إلى وقت التشغيل).

ارتد واقبات الأذن. ارتد قد يسبب التعرض للضوضاء إلى فقدان السمع.

(c) يجب تثبيت قطعة الشغل أو الإمساك بها من الحاجز أو

على الطاولة. ولا تدفع بقطعة الشغل باتجاه النصل أو تقطع "بيد حرة" بأي حال من الأحوال. فقطعة الشغل غير المثبتة أو المتحركة يمكن أن تقذف بسرعة كبيرة، مما يعرضك للإصابة.

(d) ادفع المنشار داخل قطعة الشغل لكن احرص على ألا

تسحب للخلف من خلالها. ولعمل قطع ارفع رأس المنشار واسحبه حتى يصير فوق قطعة الشغل دون قطع ثم شغل المحرك وحرك رأس المنشار لأسفل واضغطه داخل قطعة الشغل. حيث أنك إذا قطعت بسحب المنشار للخلف خلال قطعة الشغل فمن المحتمل أن يقفز نصل المنشار فوق قطعة الشغل ويتسبب في اندفاع مجموعة الذنصل بعنف باتجاه المشغل.

(e) تجنب وضع يدك متقاطعتين فوق مسار القطع المحدد سلفاً سواء أمام المنشار أو خلفه. إذ أن من الخطورة بمكان تثبيت قطعة الشغل في مكانها "بتشبيك اليدين"، أي تثبيتها على يمين نصل المنشار باستخدام اليد اليسرى أو العكس.

(f) لا تمد يدك خلف الحاجز لمسافة أقرب من 100 مم على أي من جانبي نصل المنشار، لإزالة نشارة الخشب أو لأي سبب آخر أثناء دوران النصل. وقد يتعدى تقدير مدى القرب من نصل المنشار الدوار وهو ما قد يعرضك لإصابة خطيرة.

⚠ تحذير اقرأ جميع تعليمات السلامة والإرشادات والشروح والبيانات المرفقة مع الجهاز. قد يؤدي عدم مراعاة التعليمات المدرجة أدناه إلى التعرض للإصابة بصدمة كهربية أو الحريق وأو إصابة خطيرة.

احتفظ بجميع التنبيهات والتعليمات للرجوع إليها مستقبلاً.

⚠ تعليمات السلامة المتعلقة بمناشير التلسين

(a) تستخدم مناشير التلسين لقطع الخشب أو المنتجات الخشبية ولا يمكن استخدام أسطوانات القطع الكاشطة الخاصة بها لقطع الخامات الحديدية مثل القضبان والأسياخ والبراي وغيرها. ففي هذه الحالة ستؤدي البرادة الناتجة عن القطع إلى انحسار الأجزاء المتحركة مثل الواقي التحتي؛ كما ستؤدي الشرارات المتولدة إلى إحراق الواقي التحتي وصفيحة القطع وغيرها من الأجزاء البلاستيكية.

(b) استخدم كلاً (قائمة) لتثبيت قطعة الشغل ما أمكن ذلك. وفي حالة تثبيت الشغلة بيدك أثناء قطعها يجب عليك إبعاد يدك بمسافة 100 مم على الأقل من جانبي نصل المنشار. ولا تستخدم هذا المنشار لقطع أشياء صغيرة يتعدى عليك تثبيتها بالكلايت أو بيدك بإحكام. إذ عندما تكون يدك قريبة جداً من نصل المنشار سيزيد خطر تعرضك للإصابة بسبب ملامسة الذنصل.

# AEG

[www.aeg-powertools.eu](http://www.aeg-powertools.eu)

**Techtronic Industries GmbH**

Max-Eyth-Straße 10  
71364 Winnenden  
Germany

(03.19)  
4931 4252 46



*AEG is a registered trademark used under  
license from AB Electrolux (publ).*