

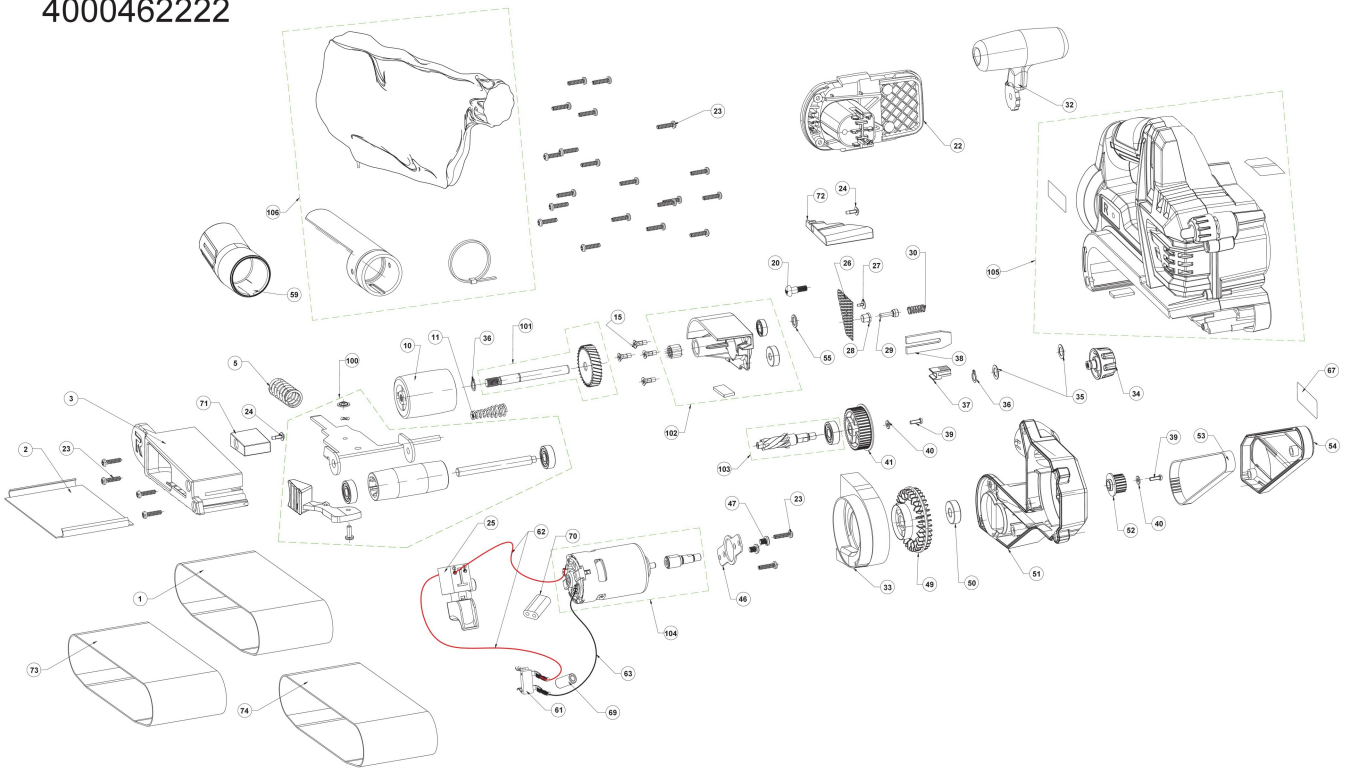
R18BS-0 Belt Sander XXX

5133002916 - R18BS-0 - 4000462222





4000462222



Position	Quantity	Description	Part number	EAN
1001	1	SANDING PAPER	5131041128	4058546063924
1002	1	INTERMEDIATE FLANGE	5131041129	4058546063931
1003	1	ROLLER BRACKET	5131041130	4058546063948
1005	1	SPRING	5131000000	
1010	1	ROLLER	5131008382	4058546092641
1011	1	SPRING	5131041131	4058546063955
1015	4	SCREW	5131041132	4058546063962
1020	1	SCREW	5131041133	4058546063979
1022	1	ACCEPTANCE	5131041134	4058546063986
1023	26	SCREW	5131032090	4058546131890
1024	1	SCREW	5131041135	4058546063993
1025	1	SWITCH	5131041136	4058546064006
1026	1	DISTANCE PLATE	5131041137	4058546064013
1027	1	SCREW	5131041138	4058546064020
1028	1	ACCEPTANCE	5131041139	4058546064037
1029	1	PIN	5131041140	4058546064044
1030	1	SPRING	5131041141	4058546064051
1032	1	HANDLE	5131041142	4058546064068
1033	1	FAN HOUSING	5131041143	4058546064075
1034	1	TURNING KNOB	5131041144	4058546064082
1035	2	WASHER	5131000000	
1036	2	GRIP RETAIN	5131000000	
1037	1	DISTANCE HOLDER	5131041145	4058546064099
1038	1	INTERMEDIATE FLANGE	5131041146	4058546064105
1039	2	SCREW	5131000000	
1040	2	WASHER	5131041147	4058546064112
1041	1	PULLEY	5131041148	4058546064129
1046	1	RETAINING PLATE	5131041149	4058546064136
1047	2	SCREW	5131041150	4058546064143
1049	1	FAN	5131041151	4058546064150
1050	1	BEARING	5131041152	4058546064167
1051	1	HOUSING	5131041153	4058546064174
1052	1	PULLEY	5131041154	4058546064181
1053	1	BELT	5131041155	4058546064198
1054	1	COVER	5131041156	4058546064204
1055	1	WASHER	5131041157	4058546064211
1059	1	CONNECTOR	5131041059	4058546063238
1061	1	CONNECTOR	5131029520	4058546119461
1062	2	WIRE	5131041158	4058546064228
1063	1	WIRE	5131041159	4058546064235
1067	1	LABEL	5131019705	4058546067700
1069	1	FERRITE BEAD NI-ZN	5131000000	
1070	1	FERRITE BEAD	5131032921	4058546139575
1071	1	BALANCE WEIGHT	5131041160	4058546064242
1072	1	BALANCE WEIGHT	5131041161	4058546064259
1100	1	ROLLER BRACKET	5131041164	4058546064280
1101	1	GUIDE SHAFT	5131041165	4058546064297
1102	1	SUPPORT BRACKET	5131041166	4058546064303
1103	1	REDUCT. GEAR SHAFT	5131041167	4058546064310
1104	1	MOTOR	5131041168	4058546064327

Position	Quantité	Désignation	Référence	EAN
1105	1	HOUSING	5131041169	4058546064334
1106	1	DUST BAG	5131041170	4058546064341