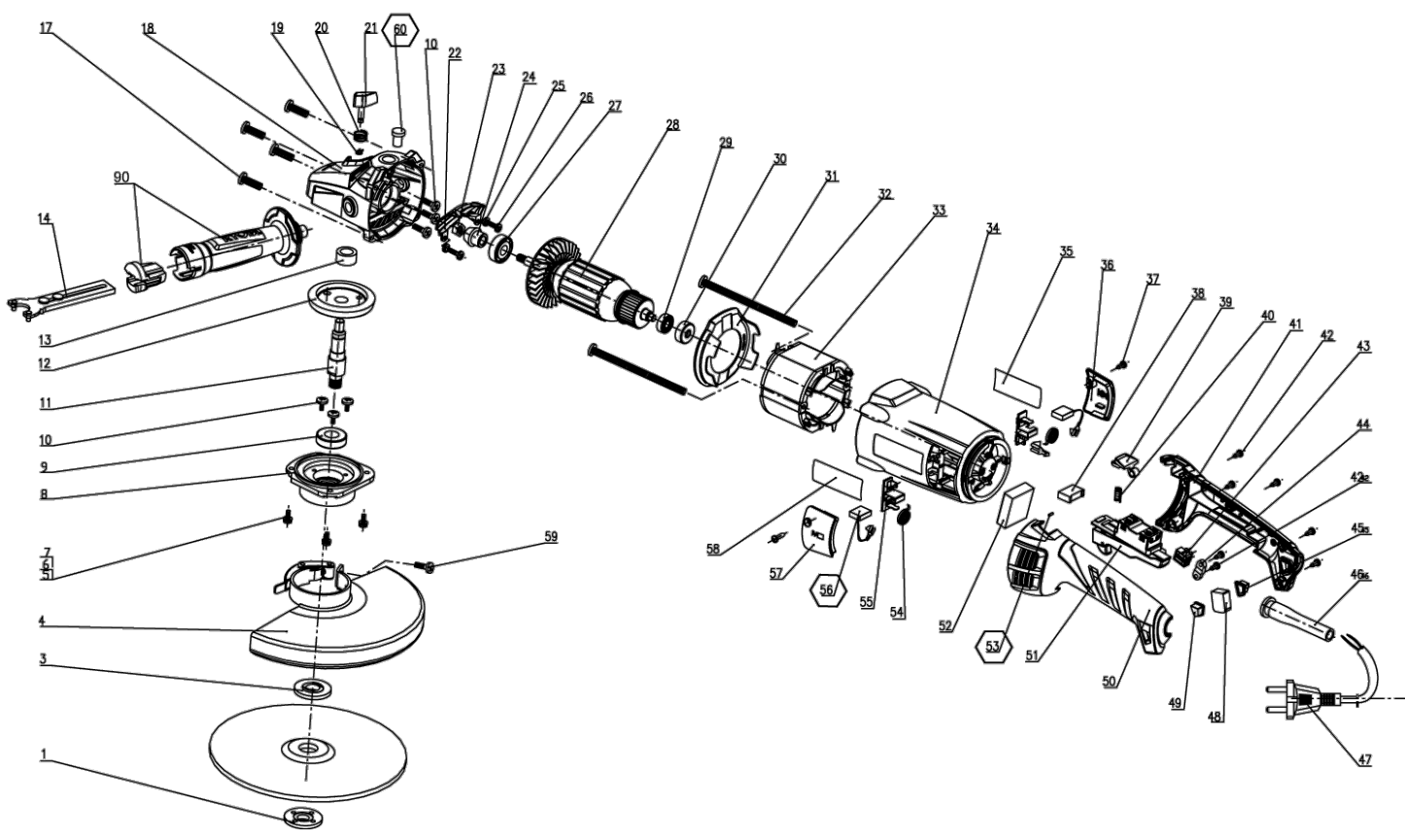


2000W 230mm Angle Grinder

5133000550 - EAG2000RS - EAG2000RS#2





Position	Quantity	Description	Part number	EAN
001	1	CLAMPING FLANGE	5131026787	
003	1	CLAMPING FLANGE	5131026788	
004	1	GUARD	5131026789	
005	4	SCREW	5131026790	
006	4	WASHER	5131026791	
007	4	WASHER	5131026792	
008	1	GEAR COVER	5131026793	
009	1	BALL BEARING	5131026794	
010	6	SCREW	5131026795	
011	1	GEAR SHAFT	5131026796	
012	1	GEAR	5131026797	
013	1	NEEDLE BEARING	5131026798	
014	1	SPANNER	5131026799	
017	4	self tapping screw	5131026800	
018	1	GEAR BOX	5131026801	
019	1	SPRING	5131026802	
020	1	SPRING	5131026803	
021	1	LOCKING PIN	5131026804	
022	1	COVER	5131026805	
023	1	NUT	5131026806	
024	1	PINION	5131026807	
025	1	WASHER	5131026808	
026	2	SCREW	5131026809	
027	1	BALL BEARING	5131026810	
028	1	ARMATURE ASSEMBLY	5131026811	
029	1	BALL BEARING	5131031184	
030	1	BEARING CAGE	5131026813	
031	1	FAN HOUSING	5131026814	
032	2	SCREW	5131026815	
033	1	ELECTRIC FIELD	5131026816	
034	1	MOTOR HOUSING	5131026817	
036	1	COVER PLATE	5131026818	
037	2	SCREW	5131026819	
038	1	CAPACITOR	5131026820	
039	1	BUTTON	5131026821	
040	1	SPRING	5131026822	
041	1	RIGHT HANDLE HALF	5131026823	
042	7	SCREW	5131026824	
043	2	TERMINAL PLUG	5131026825	
044	1	CLAMP	5131026826	
045	1	LENS	5131026827	
046	1	PROTECTION SLEEVE	5131026828	
047	1	POWER CORD EU	5131026829	
048	1	INDICATOR LIGHT	5131026830	
049	1	LENS	5131026831	
050	1	LEFT HANDLE HALF	5131026832	
051	1	SWITCH	5131026833	
052	1	PRINTED CIRCUIT	5131026834	
053	1	PIN	5131031185	
054	2	SPRING	5131026836	

Position	Quantité	Désignation	Référence	EAN
055	2	BRUSH HOLDER	5131026837	
056	2	CARBON BRUSH	5131026838	
057	1	COVER PLATE	5131026839	
059	1	SCREW	5131026840	
060	1	PLUG	5131031186	
090	1	AUXILIARY HANDLE	5131026841	
	1	SWISS ADAPTER	5131027809	