

AEG

POWERTOOLS

PE 150, SE 12-180

Original instructions

Originalbetriebsanleitung

Notice originale

Istruzioni originali

Manual original

Manual original

Oorspronkelijke
gebruiksaanwijzing

Original brugsanvisning

Original bruksanvisning

Bruksanvisning i original

Alkuperäiset ohjeet

Πρωτότυπο οδηγιών χρήσης

Orijinal işletme talimatı

Původním návodem k používání

Pôvodný návod na použitie

Instrukcja oryginalna

Eredeti használati utasítás

Izvirna navodila

Originalne pogonske upute

Instrukcijām oriģinālvalodā

Originali instrukcija

Algupärane kasutusjuhend

Оригинальное руководство по
эксплуатации

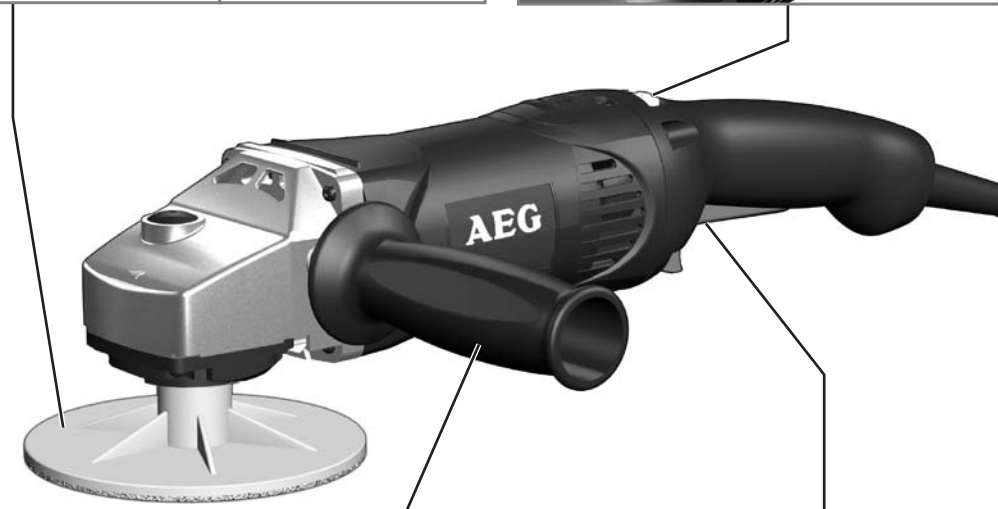
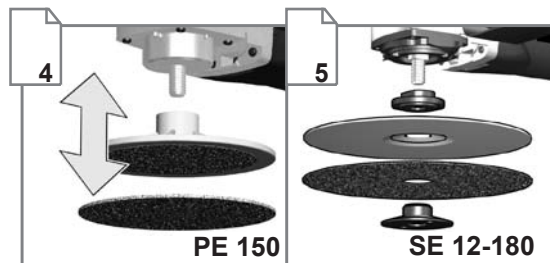
Оригинално ръководство за
експлоатация

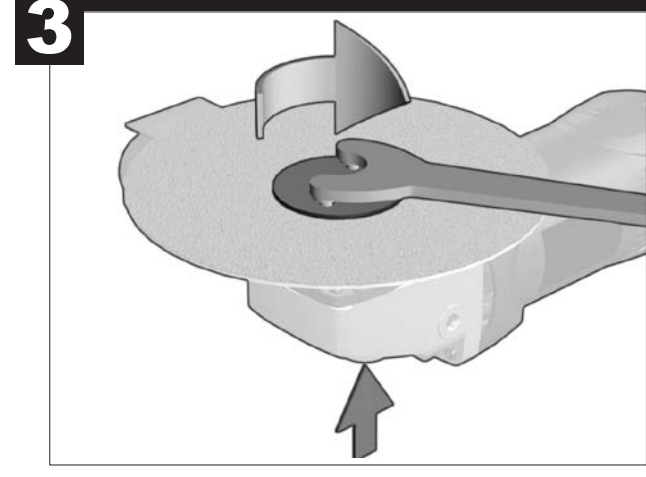
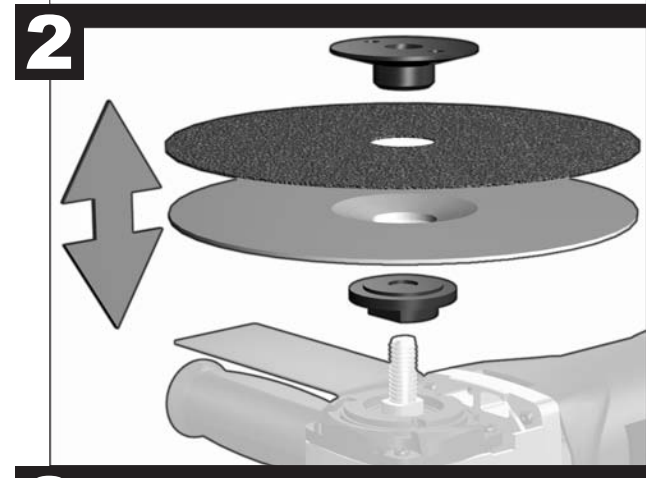
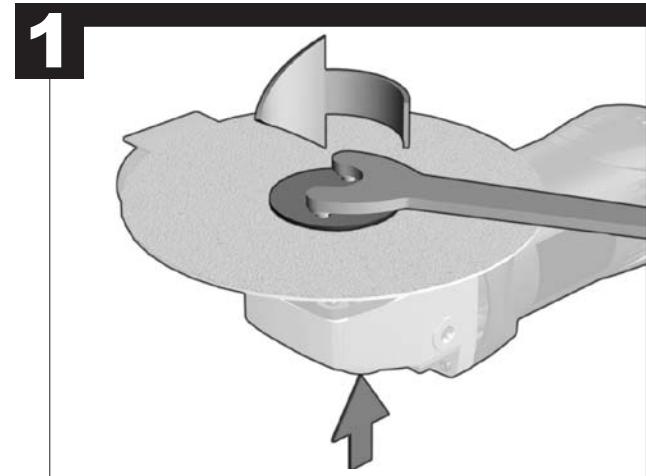
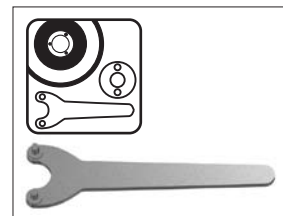
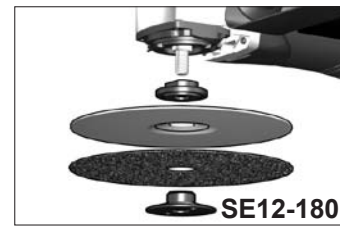
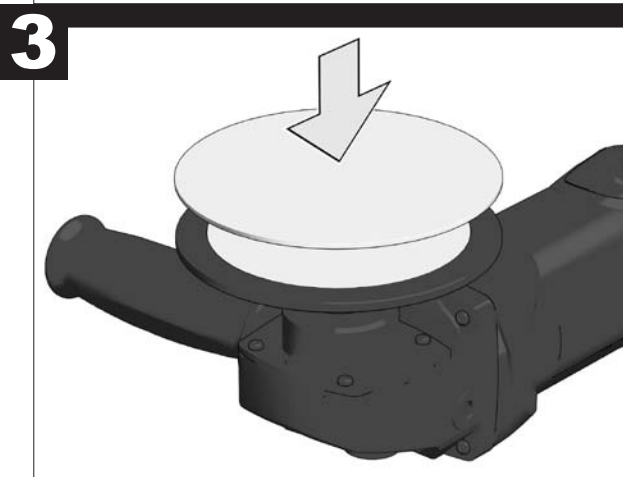
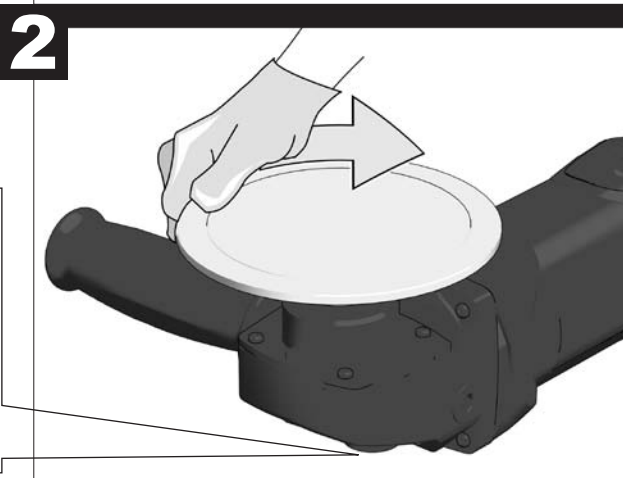
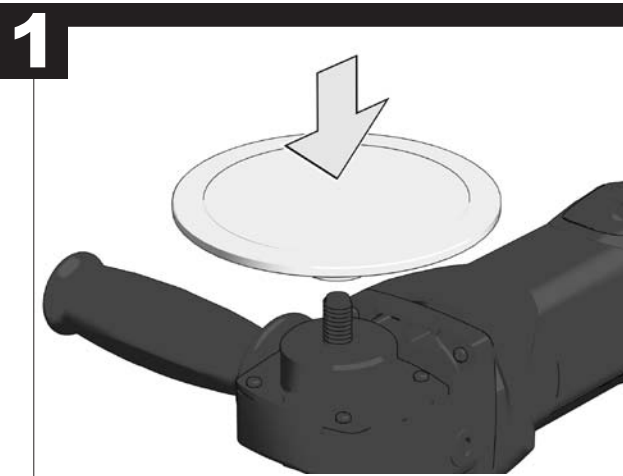
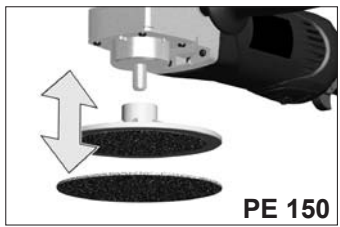
Instrucțiuni de folosire originale

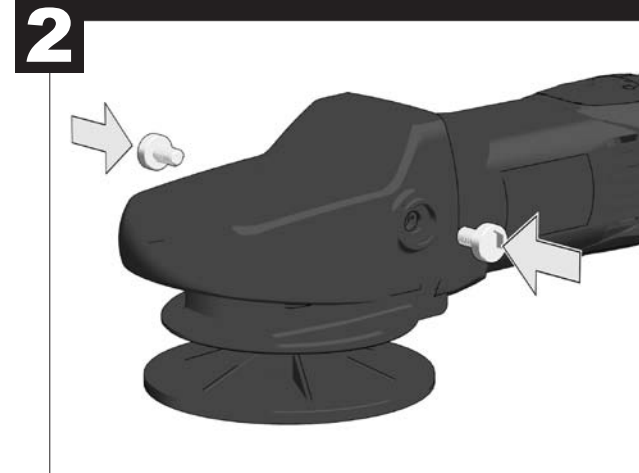
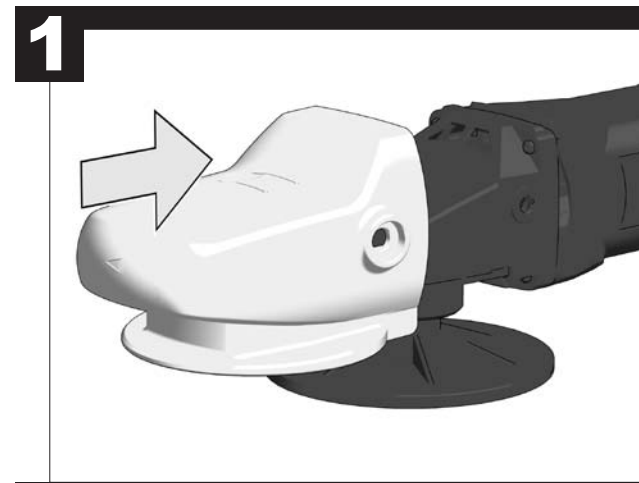
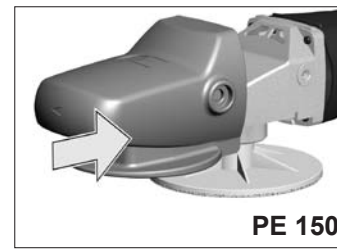
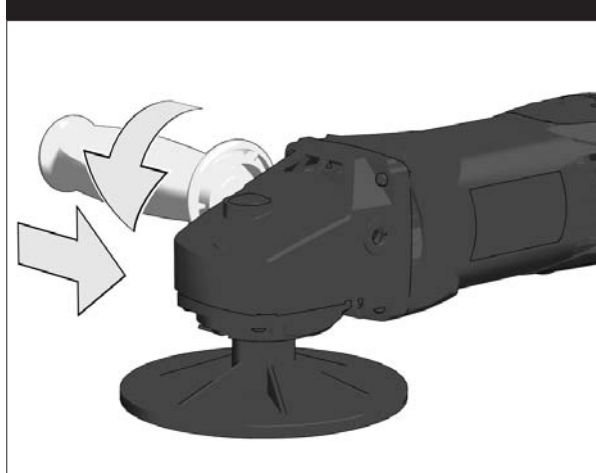
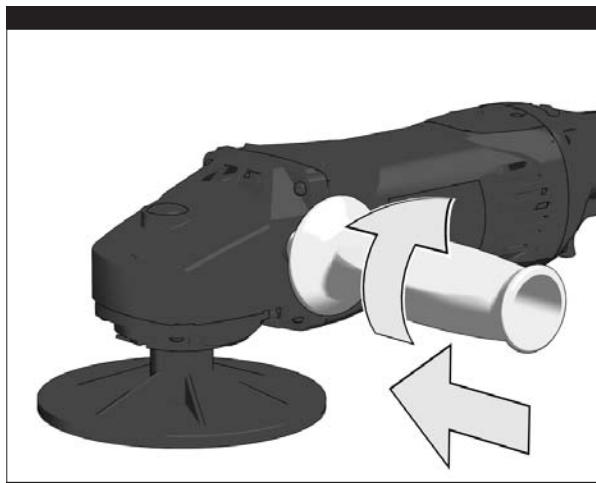
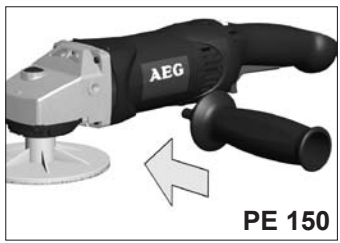
Оригинален прирачник за работа

原始的指南

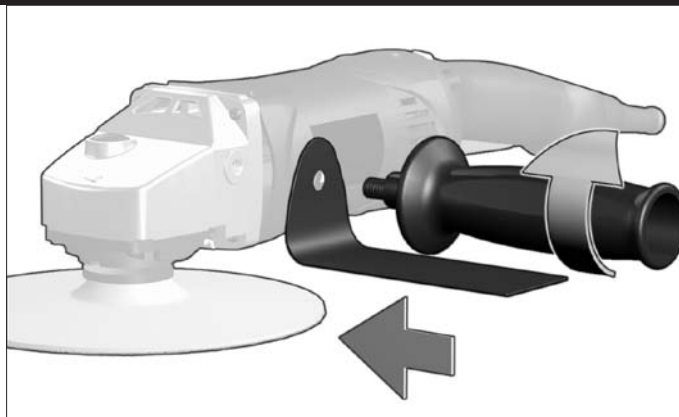
Technical Data, Safety Instructions, Specified Conditions of Use, EC-Declaration of Conformity, Mains connection, Maintenance, Symbols	Please read and save these instructions!	ENGLISH	12
Technische Daten, Sicherheitshinweise, Bestimmungsgemäße Verwendung, CE-Konformitätserklärung, Netzanschluss, Wartung, Symbole	Bitte lesen und aufbewahren!	DEUTSCH	15
Caractéristiques techniques, Instructions de sécurité, Utilisation conforme aux prescriptions, Déclaration CE de Conformité, Branchement secteur, Entretien, Symboles	Prière de lire et de conserver!	FRANÇAIS	18
Dati tecnici, Norme di sicurezza, Utilizzo conforme, Dichiarazione di Conformità CE, Collegamento alla rete, Manutenzione, Simboli	Si prega di leggere le istruzioni e di conservarle!	ITALIANO	21
Datos técnicos, Instrucciones de seguridad, Aplicación de acuerdo a la finalidad, Declaración de Conformidad CE, Conexión eléctrica, Mantenimiento, Símbolos	Lea y conserve estas instrucciones por favor!	ESPAÑOL	24
Características técnicas, Instruções de segurança, Utilização autorizada, Declaração de Conformidade CE, Ligaçao à rede, Manutenção, Símbolo	Por favor leia e conserve em seu poder!	PORTUGUES	27
Technische gegevens, Veiligheidsadviezen, Voorgeschreven gebruik van het systeem, EC-Konformiteitsverklaring, Netaansluiting, Onderhoud, Symbolen	Lees en let goed op deze adviezen!	NEDERLANDS	30
Tekniske data, Sikkerhedshenvisninger, Tiltænkt formål, CE-Konformitetserklæring, Netttilslutning, Vedligeholdelse, Symboler	Vær venlig at læse og opbevare!	DANSK	33
Tekniske data, Spesielle sikkerhetshenvisninger, Formålmessig bruk, CE-Samsvarserklæring, Netttilkopling, Vedlikehold, Symboler	Vennligst les og oppbevare!	NORSK	36
Tekniska data, Säkerhetsutrustning, Använd maskinen Enligt anvisningarna, CE-Försäkran, Nätanslutning, Skötsel, Symboler	Var god läs och tag tillvara dessa instruktioner!	SVENSKA	39
Tekniset arvot, Turvallisuusohjeet, Tarkoituksenmukainen käyttö, Todistus CE-standardinmukaisuudesta, Verkkoliitäntä, Huolto, Symbolit	Lue ja säilytö!	SUOMI	42
Τεχνικά στοιχεία, Ειδικά υποδείξεις ασφαλείας, Χρήση σύμφωνα με το σκοπό προορισμού, Δήλωση πιστότητας εκ, Συνδεδειγμένο ηλεκτρικό δίκτυο, Συντήρηση, Σύμβολα	Παρακαλώ διαβάστε τις και φυλάξτε τις!	ΕΛΛΗΝΙΚΑ	45
Teknik veriler, Güvenliğinizi için talimatlar, Kullanım, CE uygunluk beyanince, Şebeke bağlantısı, Bakım, Semboller	Lütfen okuyun ve saklayın	TÜRKÇE	48
Technická data, Speciální bezpečnostní upozornění, Oblast využití, Ce-prohlášení o shodě, Připojení na síť, Udržba, Symboly	Po přečtení uschovejte	ČESKY	51
Technické údaje, Speciálne bezpečnostné pokyny, Použitie podľa predpisov, CE-Vyhlasenie konformity, Sieťová prípojka, Udržba, Symboly	Prosím prečítať a uschovať!	SLOVENSKY	54
Dane techniczne, Specjalne zalecenia dotyczace bezpieczerstwa, Uzytkowanie zgodnie z przeznaczeniem, Swiadczenie zgodnosci ce, Podlaczenie do sieci, Gwarancja, Symbole	Prosimy o uwazne przeczytanie i przestrzeganie zaleceń zamie szczonych w tej instrukcji.	POLSKI	57
Műszaki adatok, Különleges biztonsági tudnivalók, Rendeltetésszerű használat, Ce-azonosság nyilatkozat, Hálózati csatlakoztatás, Karbantartás, Szimbólumok	Olvassa el és őrizze meg	MAGYAR	60
Tehnični podatki, Specialni varnostni napotki, Uporaba v skladu z namembnostjo, Ce-izjava o konformnosti, Omrežni priključek, Vzdrževanje, Simboli	Prosimo preberite in shranite!	SLOVENSKO	63
Tehnički podaci, Specijalne sigurnosne upute, Propisna upotreba, Ce-izjava konformnosti, Priključak na mrežu, Održavanje, Simboli	Molimo pročitati i sačuvati	HRVATSKI	66
Tehniske dati, Speciālie drošības noteikumi, Noteikumiem atbilstošs izmantojums, Atbilstība CE normām, Tīkla pieslēgums, Apkope, Simboli	Pielikums lietošanas pamācībai	LATVISKI	69
Techniniai duomenys, Ypatingos saugumo nuorodos, Naudojimas pagal paskirtį, CE Atitikties pareiškimas, Elektros tinklo jungtis, Techninis aptarnavimas, Simboliai	Prašome perskaityti ir neišmesti!	LIETUVIŠKAI	72
Tehnilised andmed, Spetsiaalsed turvajuhised, Kasutamise vastavalt otstarbele, EU Vastavusavaldus, Võrku ühendamine, Hooldus, Sümbolid	Palun lugege läbi ja hoidke alal!	EESTI	75
Технические данные, Рекомендации по технике безопасности, Использование, Подключение к электросети, Обслуживание, Символы	Пожалуйста, прочтите и сохраните настоящую инструкцию	РУССКИЙ	78
Технически данни, Специални указания за безопасност, Използване по предназначение, CE-Декларация за съответствие, Свързване към мрежата, Поддръжка, Символи	Моля прочетете и запазете!	БЪЛГАРСКИ	81
Date tehnice, Instrucțiuni de securitate, Condiții de utilizare specificate, Declarație de conformitate, Alimentare de la rețea, Intreținere, Simboluri	Va rugăm citiți și păstrați aceste instrucțiuni	ROMÂNIA	84
Технички Податоци, Упатство За Употреба, Специфицирани Услови На Употреба, Еу-декларација За Сообразност, Главни Врски, Одржување, Символи	Ве молиме прочитајте го и чувајте го ова упатство!	МАКЕДОНСКИ	87
技术数据, 特殊安全指示, 正确地使用机器, 欧洲安全规定说明, 电源插头, 维修符号	请仔细阅读并妥善保存!	中文	90
العربية البيانات الفنية، تعليمات السلامة، شروط الاستخدام المحددة، إعلان التوافق من الاتحاد الأوروبي، التوصيل بمصدر التيار الكهربائي، الصيانة، الرموز مكان أم!	يرجى قراءة هذه التعليمات وحفظها في مكان أم!	عربي	92

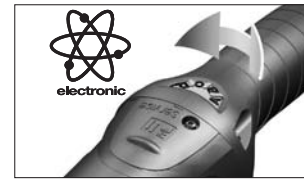
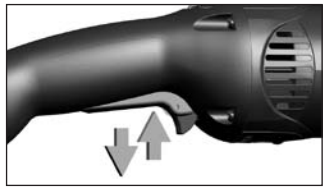




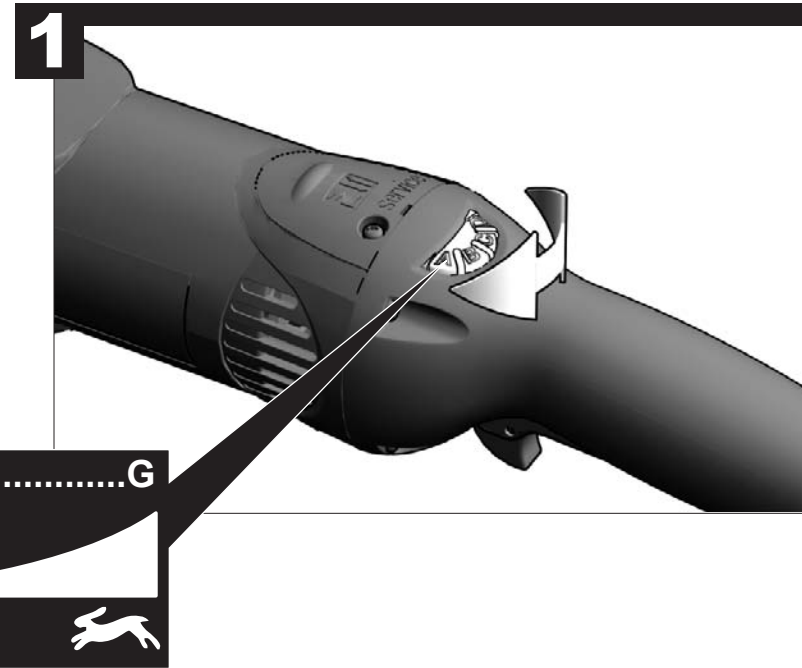
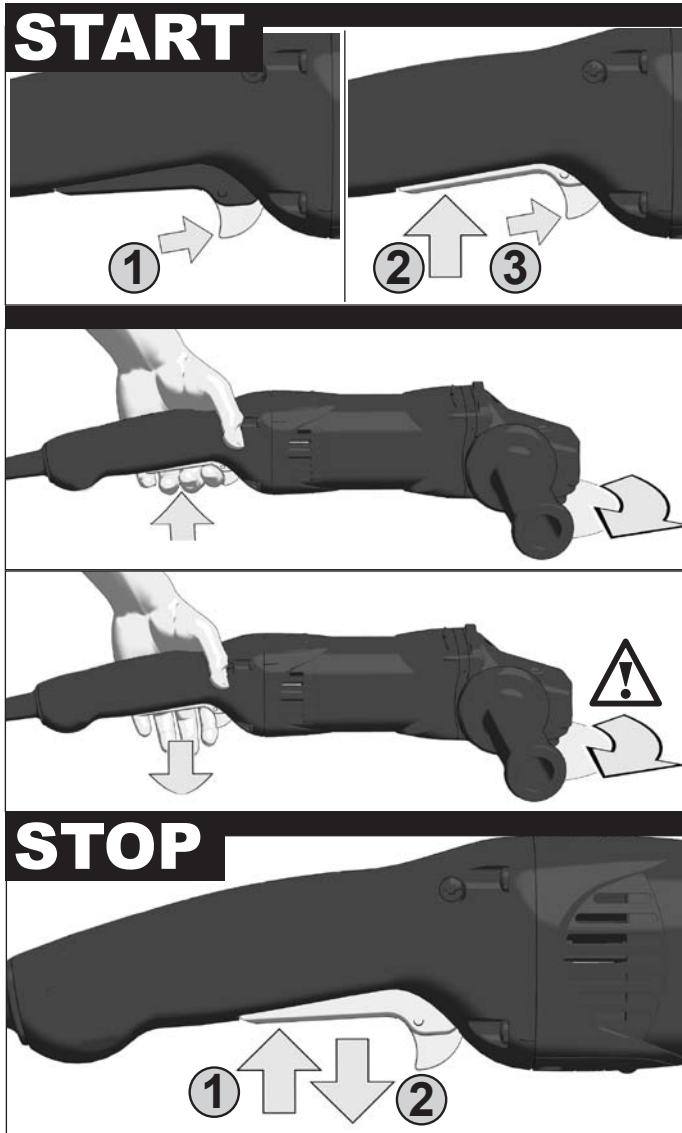


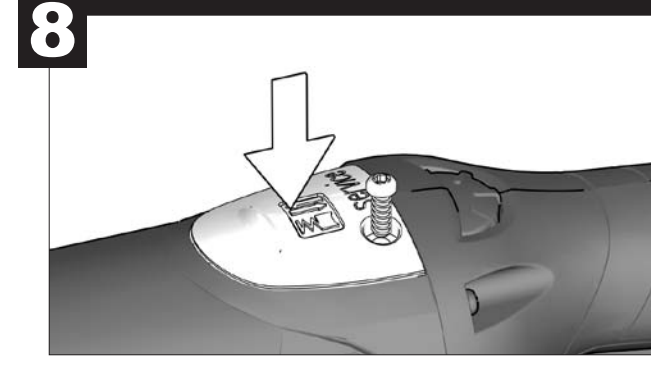
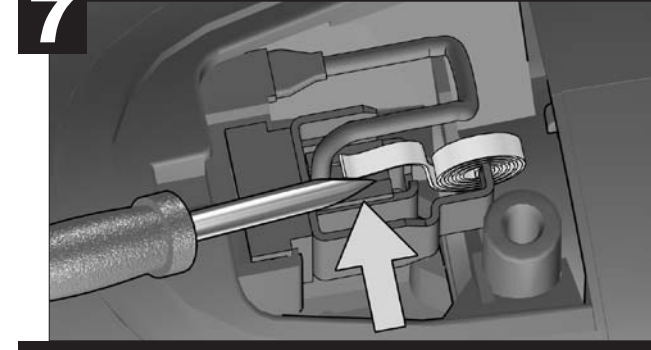
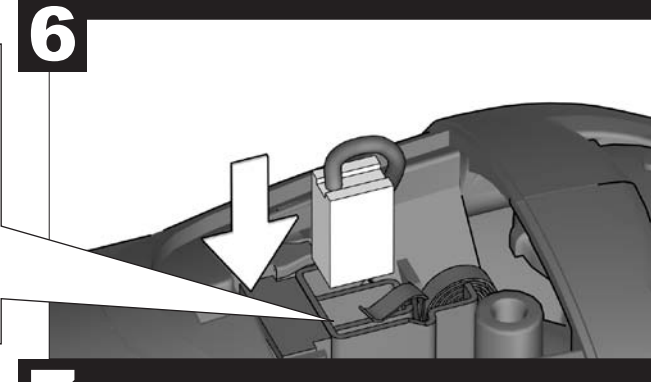
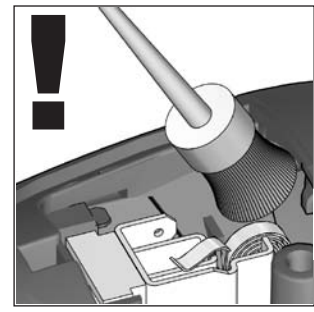
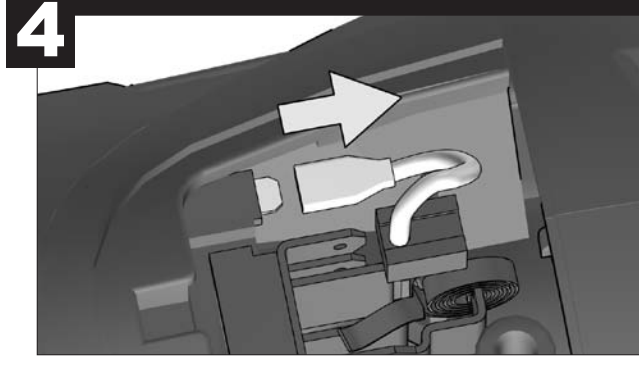
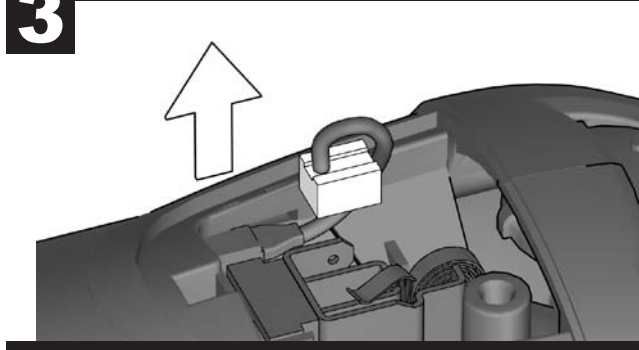
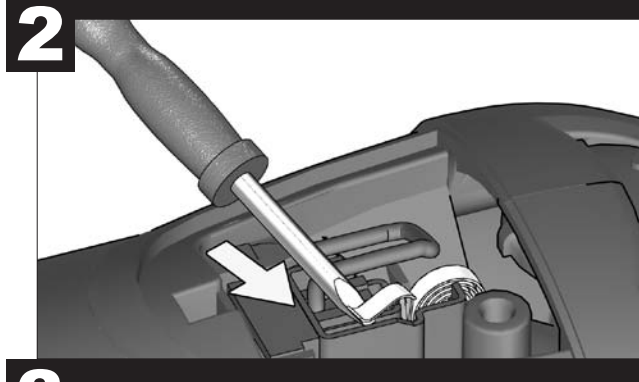
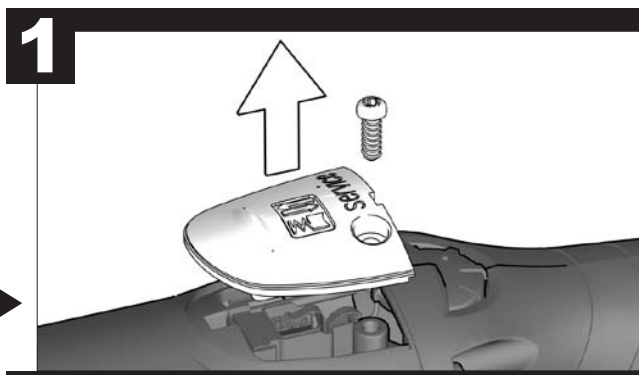
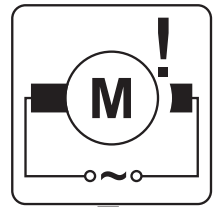
SE 12-180





Switch can be locked
 Schalter ist **arretierbar**
 Le commutateur peut être **verrouillé**
 L'interruttore si può **bloccare**
 El interruptor se puede **bloquear**.
 O interruptor pode ser **bloqueado**
 Schakelaar is **vastzetbaar**
 Afbryder kan **fikseres**
 Bryter kan **låsnes**
 Brytaren kan **arreteras**.
 Katkaisimen voi **lukita**.
 Ο διακόπτης **μπορεί να ασφαλιστεί**
 Şalter **ayarlanabilir**
 Vypínač je **aretovateľný**
 Vypínač je **aretovateľný**
 Przełącznik **daje się zablokować**
 A kapcsoló **rögzíthető**
 Stikalo je **nastavljivo**
 Prekidač se **može aretirati**
 Slēdzis ir **labojams**
 Jungiklis gali būti **užblokuojamas**
 Lüliti on **fikseeritav**
 Фиксируемый переключатель
 Превключателят може да се **фиксира**
 Comutatorul **poate fi blocat**
 Прекинувачот може да се **заклучи**
 开关有定位功能。





TECHNICAL DATA	POLISHER/SANDER	PE 150	SE 12-180
Production code.....	4095 75 02...4325 00 02...000001-999999	4122 81 02...000001-999999	
Rated input	1200 W	1200 W	
Output.....	600 W	600 W	
No-load speed	900-2500 min ⁻¹	1800-4800 min ⁻¹	
Max. no-load speed.....	4700 min ⁻¹	9000 min ⁻¹	
Grinding disk diameter.....	150 mm	180 mm	
Thread of work spindle	M 14	M 14	
Weight according EPTA-Procedure 01/2003.....	2,1 kg.....	2,5 kg	

Noise/Vibration Information

Measured values determined according to EN 60745.

Typically, the A-weighted noise levels of the tool are:

Sound pressure level (K = 3 dB(A))	82 dB(A)	82 dB(A)
Sound power level (K = 3 dB(A)).....	93 dB(A)	93 dB(A)

Wear ear protection!

Total vibration values (vector sum in the three axes) determined according to EN 60745:

Polishing: vibration emission value a _h	3 m/s ²	- m/s ²
Uncertainty K =	1,5 m/s ²	- m/s ²
Disk sanding vibration emission value a _h	- m/s ²	3,3 m/s ²
Uncertainty K =	- m/s ²	1,5 m/s ²

WARNING

The vibration emission level given in this information sheet has been measured in accordance with a standardised test given in EN 60745 and may be used to compare one tool with another. It may be used for a preliminary assessment of exposure.

The declared vibration emission level represents the main applications of the tool. However if the tool is used for different applications, with different accessories or poorly maintained, the vibration emission may differ. This may significantly increase the exposure level over the total working period.

An estimation of the level of exposure to vibration should also take into account the times when the tool is switched off or when it is running but not actually doing the job. This may significantly reduce the exposure level over the total working period.

Identify additional safety measures to protect the operator from the effects of vibration such as: maintain the tool and the accessories, keep the hands warm, organisation of work patterns.

⚠ WARNING! Read all safety warnings and all instructions, including those given in the accompanying brochure. Failure to follow the warnings and instructions may result in electric shock, fire and/or serious injury. **Save all warnings and instructions for future reference.**

POLISHER/SANDER SAFETY INSTRUCTIONS

Safety warnings that are common for polishing and sanding:

a) This power tool is intended to function as a polisher (only PE 150) or sander (only SE 12-180). Read all safety warnings, instructions, illustrations and specifications provided with this power tool. Failure to follow all instructions listed below may result in electric shock, fire and/or serious injury.

b) Operations such as sanding (only PE 150), polishing (only SE 12-180), grinding, wire brushing, or cutting-off are not recommended to be performed with this power tool. Using the electric tool for purposes other than those for which it is designed may cause dangers and injuries.

c) Do not use accessories which are not specifically designed and recommended by the tool manufacturer. Just because the accessory can be attached to your power tool, it does not assure safe operation.

d) The rated speed of the accessory must be at least equal to the maximum speed marked on the power tool. Accessories running faster than their rated speed can break and fly apart.

e) The outside diameter and the thickness of your accessory must be within the capacity rating of your power tool. Incorrectly sized accessories cannot be adequately guarded or controlled.

f) The arbour size of wheels, flanges, backing pads or any other accessory must properly fit the spindle of the power tool. Accessories with arbour holes that do not

match the mounting hardware of the power tool will run out of balance, vibrate excessively and may cause loss of control.

g) Do not use a damaged accessory. Before each use inspect the accessory such as backing pad for cracks, tear or excess wear. If power tool or accessory is dropped, inspect for damage or install an undamaged accessory. After inspecting and installing an accessory, position yourself and bystanders away from the plane of the rotating accessory and run the power tool at maximum no-load speed for one minute. Damaged accessories will normally break apart during this test time.

h) Wear personal protective equipment. Depending on application, use face shield, safety goggles or safety glasses. As appropriate, wear dust mask, hearing protectors, gloves and shop apron capable of stopping small abrasive or workpiece fragments. The eye protection must be capable of stopping flying debris generated by various operations. The dust mask or respirator must be capable of filtering particles generated by your operation. Prolonged exposure to high intensity noise may cause hearing loss.

i) Keep bystanders a safe distance away from work area. Anyone entering the work area must wear personal protective equipment. Fragments of workpiece or of a broken accessory may fly away and cause injury beyond immediate area of operation.

j) Hold power tool by insulated gripping surfaces only, when performing an operation where the cutting accessory may contact hidden wiring or its own cord. Cutting accessory contacting a „live“ wire may make exposed metal parts of the power tool „live“ and shock the operator.

k) Position the cord clear of the spinning accessory. If you lose control, the cord may be cut or snagged and your hand or arm may be pulled into the spinning accessory.

l) Never lay the power tool down until the accessory has come to a complete stop. The spinning accessory may grab the surface and pull the power tool out of your control.

m) Do not run the power tool while carrying it at your side. Accidental contact with the spinning accessory could snag your clothing, pulling the accessory into your body.

n) Regularly clean the power tool's air vents. The motor's fan will draw the dust inside the housing and excessive accumulation of powdered metal may cause electrical hazards.

o) Do not operate the power tool near flammable materials. Sparks could ignite these materials.

p) Do not use accessories that require liquid coolants. Using water or other liquid coolants may result in electrocution or shock.

Kickback and Related Warnings

Kickback is a sudden reaction to a pinched or snagged rotating wheel, backing pad, brush or any other accessory. Pinching or snagging causes rapid stalling of the rotating accessory which in turn causes the uncontrolled power tool to be forced in the direction opposite of the accessory's rotation at the point of the binding.

For example, if an abrasive wheel is snagged or pinched by the workpiece, the edge of the wheel that is entering into the pinch point can dig into the surface of the material causing the wheel to climb out or kick out. The wheel may either jump toward or away from the operator, depending on direction of the wheel's movement at the point of pinching.

Kickback is the result of power tool misuse and/or incorrect operating procedures or conditions and can be avoided by taking proper precautions as given below.

a) Maintain a firm grip on the power tool and position your body and arm to allow you to resist kickback forces. Always use auxiliary handle, if provided, for maximum control over kickback or torque reaction during start-up. The operator can control torque reactions or kickback forces, if proper precautions are taken.

b) Never place your hand near the rotating accessory. Accessory may kickback over your hand.

c) Do not position your body in the area where power tool will move if kickback occurs. Kickback will propel the tool in direction opposite to the wheel's movement at the point of snagging.

d) Use special care when working corners, sharp edges etc. Avoid bouncing and snagging the accessory. Corners, sharp edges or bouncing have a tendency to snag the rotating accessory and cause loss of control or kickback.

e) Do not attach a saw chain, woodcarving blade or toothed saw blade. Such blades create frequent kickback and loss of control.

SE 12-180:

Safety Warnings Specific for Sanding Operations:

a) Do not use excessively oversized sanding disc paper. Follow manufacturers recommendations, when selecting sanding paper. Larger sanding paper extending beyond the sanding pad presents a laceration hazard and may cause snagging, tearing of the disc or kickback.

PE 150:

Safety Warnings Specific for Polishing Operations:

a) Do not allow any loose portion of the polishing bonnet or its attachment strings to spin freely. Tuck away or trim any loose attachment strings. Loose and spinning attachment strings can entangle your fingers or snag on the workpiece.

Appliances used at many different locations including open air should be connected via a residual current device of 30 mA or less.

Dust and splinters must not be removed while the machine is running.

Only plug-in when machine is switched off.

Never reach into the danger area of the tool when it is running.

Always use the auxiliary handle.

Immediately switch off the machine in case of considerable vibrations or if other malfunctions occur. Check the machine in order to find out the cause.

Always use and store the grinding disks according to the manufacturer's instructions.

When grinding metal, flying sparks are produced. Take care that no persons are endangered. Because of the danger of fire, no combustible materials should be located in the vicinity (spark flight zone). Do not use dust extraction.

Due care should be taken that no sparks or sanding dust flying from the workpiece come into contact with you.

The adjusting nut must be tightened before starting to work with the machine.

The workpiece must be fixed if it is not heavy enough to be steady. Never lead the workpiece to the grinding disk with your hand.

Under extreme conditions (e.g. smooth-grinding metals with the arbour and vulcanized fibre grinding wheel), significant contamination can build up on the inside of the angle grinder. For safety reasons, in such conditions the inside should be cleaned thoroughly of metal deposits and a motor circuit-breaker must be connected in series. If the motor circuit-breaker trips the machine must be sent for repair.

For accessories intended to be fitted with threaded hole wheel, ensure that the thread in the wheel is long enough to accept the spindle length.

SPECIFIED CONDITIONS OF USE

PE 150: The polisher can be used for polishing lacquers, coatings, plastics and other smooth surfaces.

SE 12-180: The sander can be used for sanding wood, plastics and metal.

Do not use this product in any other way as stated for normal use.

STARTING CURRENT LIMITER + SMOOTH START

The starting current for the machine is several times greater than rated current. The starting current limiter reduces the starting current to such an extent that a fuse (16 A, slow-blow) is not tripped.

Electronic smooth start for save use prevents jerky run-up of the machine.

ELECTRONICS

The speed of rotation is adjusted electronically when the load increases.

In case of a longer overload period the speed is decreased electronically. The machine continues to run slowly to cool down the motor coil. After switching off and on the machine can be used at rated load.

EC-DECLARATION OF CONFORMITY

We declare under our sole responsibility that the product described under "Technical Data" fulfills all the relevant regulations and the directives 2011/65/EU (RoHS), 2006/42/EC, 2004/108/EC and the following harmonized standards have been used:

EN 60745-1:2009 + A11:2010
 EN 60745-2-3:2011 + A2:2013
 EN 55014-1:2006 + A1:2009 + A2:2011
 EN 55014-2:1997 + A1:2001 + A2:2008
 EN 61000-3-2:2006 + A1:2009+A2:2009
 EN 61000-3-3:2008

Winnenden, 2013-01-28


 Alexander Krug
 Managing Director



Authorized to compile the technical file.

Techtronic Industries GmbH
 Max-Eyth-Straße 10
 71364 Winnenden
 Germany

MAINS CONNECTION

Connect only to single-phase a.c. current and only to the system voltage indicated on the rating plate. It is also possible to connect to sockets without an earthing contact as the design conforms to safety class II.

MAINTENANCE

The ventilation slots of the machine must be kept clear at all times.

Use only AEG accessories and spare parts. Should components need to be exchanged which have not been described, please contact one of our AEG service agents (see our list of guarantee/service addresses).

If needed, an exploded view of the tool can be ordered. Please state the machine type printed as well as the six-digit No. on the label and order the drawing at your local service agents or directly at: Techtronic Industries GmbH, Max-Eyth-Straße 10, 71364 Winnenden, Germany.

SYMBOLS



CAUTION! WARNING! DANGER!



Always disconnect the plug from the socket before carrying out any work on the machine.



Please read the instructions carefully before starting the machine.



Always wear goggles when using the machine.



Wear gloves!



Do not use force.



Accessory - Not included in standard equipment, available as an accessory.



Do not dispose of electric tools together with household waste material! In observance of European Directive 2002/96/EC on waste electrical and electronic equipment and its implementation in accordance with national law, electric tools that have reached the end of their life must be collected separately and returned to an environmentally compatible recycling facility.



Class II tool, tool in which protection against electric shock does not rely on basic insulation only, but in which additional safety precautions, such as double insulation or reinforced insulation, are provided. There being no provision for protective earthing or reliance upon installation conditions.



European Conformity Mark

TECHNISCHE DATEN

Polierer/Sandpapierschleifer

PE 150

SE 12-180

Produktionsnummer	4095 75 02...	4122 81 02...
.....	4325 00 02...000001-999999
.....	...000001-999999	
Nennaufnahmeleistung.....	1200 W	1200 W
Abgabeleistung.....	600 W	600 W
Leerlaufdrehzahl.....	900-2500 min ⁻¹	1800-4800 min ⁻¹
max. Leerlaufdrehzahl.....	4700 min ⁻¹	9000 min ⁻¹
Schleifscheiben-Ø.....	150 mm	180 mm
Spindelgewinde.....	M 14	M 14
Gewicht nach EPTA-Prozedur 01/2003.....	2,1 kg.....	2,5 kg

Geräusch/Vibrationsinformation

Messwerte ermittelt entsprechend EN 60 745.

Der A-bewertete Geräuschpegel des Gerätes beträgt typischerweise:

Schalldruckpegel (K = 3 dB(A)).....	82 dB(A).....	82 dB(A)
Schalleistungspegel (K = 3 dB(A))	93 dB(A)	93 dB(A)

Gehörschutz tragen!

Schwingungsgesamtwerte (Vektorsumme dreier Richtungen) ermittelt entsprechend EN 60745.

Polieren: Schwingungsemissionswert a _h	3 m/s ²	- m/s ²
Unsicherheit K =	1,5 m/s ²	- m/s ²
Sandpapierschleifen: Schwingungsemissionswert a _h	- m/s ²	3,3 m/s ²
Unsicherheit K =	- m/s ²	1,5 m/s ²

WARNUNG

Der in diesen Anweisungen angegebene Schwingungspegel ist entsprechend einem in EN 60745 genormten Messverfahren gemessen worden und kann für den Vergleich von Elektrowerkzeugen miteinander verwendet werden. Er eignet sich auch für eine vorläufige Einschätzung der Schwingungsbelastung.

Der angegebene Schwingungspegel repräsentiert die hauptsächlichsten Anwendungen des Elektrowerkzeugs. Wenn allerdings das Elektrowerkzeug für andere Anwendungen, mit abweichenden Einsatzwerkzeugen oder ungenügender Wartung eingesetzt wird, kann der Schwingungspegel abweichen. Dies kann die Schwingungsbelastung über den gesamten Arbeitszeitraum deutlich erhöhen.

Für eine genaue Abschätzung der Schwingungsbelastung sollten auch die Zeiten berücksichtigt werden, in denen das Gerät abgeschaltet ist oder zwar läuft, aber nicht tatsächlich im Einsatz ist. Dies kann die Schwingungsbelastung über den gesamten Arbeitszeitraum deutlich reduzieren.

Legen Sie zusätzliche Sicherheitsmaßnahmen zum Schutz des Bedieners vor der Wirkung von Schwingungen fest wie zum Beispiel: Wartung von Elektrowerkzeug und Einsatzwerkzeugen, Warmhalten der Hände, Organisation der Arbeitsabläufe.

⚠ WARNUNG! Lesen Sie alle Sicherheitshinweise und Anweisungen, auch die in der beiliegenden Broschüre. Versäumnisse bei der Einhaltung der Sicherheitshinweise und Anweisungen können elektrischen Schlag, Brand und/oder schwere Verletzungen verursachen. **Bewahren Sie alle Sicherheitshinweise und Anweisungen für die Zukunft auf.**

SICHERHEITSHINWEISE POLIERER/SANDPAPIERSCHLEIFER

Gemeinsame Sicherheitshinweise zum Polieren und Sandpapierschleifen.

a) Dieses Elektrowerkzeug ist zu verwenden als Polierer (nur PE 150) und Sandpapierschleifer (nur SE 12-180). Beachten Sie alle Sicherheitshinweise, Anweisungen, Darstellungen und Daten, die Sie mit dem Elektrowerkzeug erhalten. Wenn Sie die folgenden Anweisungen nicht beachten, kann es zu elektrischem Schlag, Feuer und/oder schweren Verletzungen kommen.

b) Dieses Elektrowerkzeug ist nicht geeignet zum Sandpapierschleifen (nur PE 150), Polieren (nur SE 12-180), Schleifen mit Schleifscheibe, Trennschleifen und Drahtbürsten. Verwendungen, für die das Elektrowerkzeug nicht vorgesehen ist, können Gefährdungen und Verletzungen verursachen.

c) Verwenden Sie kein Zubehör, das vom Hersteller nicht speziell für dieses Elektrowerkzeug vorgesehen und empfohlen wurde. Nur weil Sie das Zubehör an Ihrem Elektrowerkzeug befestigen können, garantiert das keine sichere Verwendung.

d) Die zulässige Drehzahl des Einsatzwerkzeugs muss mindestens so hoch sein wie die auf dem Elektrowerkzeug angegebene Höchstzahl. Zubehör,

das sich schneller als zulässig dreht, kann zerbrechen und umherfliegen.

e) Außendurchmesser und Dicke des Einsatzwerkzeugs müssen den Maßangaben Ihres Elektrowerkzeugs entsprechen. Falsch bemessene Einsatzwerkzeuge können nicht ausreichend abgeschirmt oder kontrolliert werden.

f) Einsatzwerkzeuge, Flansche, Schleifteller oder anderes Zubehör müssen genau auf die Schleifspindel Ihres Elektrowerkzeugs passen. Einsatzwerkzeuge, die nicht genau auf die Schleifspindel des Elektrowerkzeugs passen, drehen sich ungleichmäßig, vibrieren sehr stark und können zum Verlust der Kontrolle führen.

g) Verwenden Sie keine beschädigten Einsatzwerkzeuge. Kontrollieren Sie vor jeder Verwendung Einsatzwerkzeuge wie Schleifteller auf Risse, Verschleiß oder starke Abnutzung. Wenn das Elektrowerkzeug oder das Einsatzwerkzeug herunterfällt, überprüfen Sie, ob es beschädigt ist, oder verwenden Sie ein unbeschädigtes Einsatzwerkzeug. Wenn Sie das Einsatzwerkzeug kontrolliert und eingesetzt haben, halten Sie und in der Nähe befindliche Personen sich außerhalb der Ebene des rotierenden Einsatzwerkzeugs auf und lassen Sie das Elektrowerkzeug eine Minute lang mit Höchstzahl laufen. Beschädigte Einsatzwerkzeuge brechen meist in dieser Testzeit.

h) Tragen Sie persönliche Schutzausrüstung. Verwenden Sie je nach Anwendung Vollgesichtsschutz, Augenschutz oder Schutzbrille. Soweit angemessen, tragen Sie Staubmaske, Gehörschutz, Schutzhandschuhe oder Spezialschürze, die kleine Schleif- und Materialpartikel von Ihnen fernhält. Die Augen sollen vor herumfliegenden Fremdkörpern geschützt werden, die bei verschiedenen Anwendungen entstehen.

Staub- oder Atemschutzmaske müssen den bei der Anwendung entstehenden Staub filtern. Wenn Sie lange lautem Lärm ausgesetzt sind, können Sie einen Hörverlust erleiden.

j) Achten Sie bei anderen Personen auf sicheren Abstand zu Ihrem Arbeitsbereich. Jeder, der den Arbeitsbereich betritt, muss persönliche Schutzausrüstung tragen. Bruchstücke des Werkstücks oder gebrochener Einsatzwerkzeuge können wegfiegen und Verletzungen auch außerhalb des direkten Arbeitsbereichs verursachen.

j) Fassen Sie das Elektrowerkzeug nur an den isolierten Griffflächen an, wenn Sie Arbeiten ausführen, bei denen das Einsatzwerkzeug verborgene Stromleitungen oder das eigene Netzkabel treffen kann. Kontakt mit einer spannungsführenden Leitung setzt auch Metallteile des Elektrowerkzeuges unter Spannung und führt zu einem elektrischen Schlag.

k) Halten Sie das Netzkabel von sich drehenden Einsatzwerkzeugen fern. Wenn Sie die Kontrolle über das Elektrowerkzeug verlieren, kann das Netzkabel durchtrennt oder erfasst werden und Ihre Hand oder Ihr Arm in das sich drehende Einsatzwerkzeug geraten.

l) Legen Sie das Elektrowerkzeug niemals ab, bevor das Einsatzwerkzeug völlig zum Stillstand gekommen ist. Das sich drehende Einsatzwerkzeug kann in Kontakt mit der Ablagefläche geraten, wodurch Sie die Kontrolle über das Elektrowerkzeug verlieren können.

m) Lassen Sie das Elektrowerkzeug nicht laufen, während Sie es tragen. Ihre Kleidung kann durch zufälligen Kontakt mit dem sich drehenden Einsatzwerkzeug erfasst werden, und das Einsatzwerkzeug sich in Ihren Körper bohren.

n) Reinigen Sie regelmäßig die Lüftungsschlitze Ihres Elektrowerkzeugs. Das Motorgebläse zieht Staub in das Gehäuse, und eine starke Ansammlung von Metallstaub kann elektrische Gefahren verursachen.

o) Verwenden Sie das Elektrowerkzeug nicht in der Nähe brennbarer Materialien. Funken können diese Materialien entzünden.

p) Verwenden Sie keine Einsatzwerkzeuge, die flüssige Kühlmittel erfordern. Die Verwendung von Wasser oder anderen flüssigen Kühlmitteln kann zu einem elektrischen Schlag führen.

Rückschlag und entsprechende Sicherheitshinweise

Rückschlag ist die plötzliche Reaktion infolge eines hakenden oder blockierten drehenden Einsatzwerkzeugs wie Schleifteller oder Polierscheibe. Verhaken oder Blockieren führt zu einem abrupten Stopp des rotierenden Einsatzwerkzeugs. Dadurch wird ein unkontrolliertes Elektrowerkzeug gegen die Drehrichtung des Einsatzwerkzeugs an der Blockierstelle beschleunigt. Wenn z. B. ein Schleifteller im Werkstück hakt oder blockiert, kann der Schleifteller einen Rückschlag verursachen. Der Schleifteller bewegt sich dann auf die Bedienperson zu oder von ihr weg, je nach Drehrichtung des Schleiftellers an der Blockierstelle. Ein Rückschlag ist die Folge eines falschen oder fehlerhaften Gebrauchs des Elektrowerkzeugs. Er kann durch geeignete Vorsichtsmaßnahmen, wie nachfolgend beschrieben, verhindert werden.

a) Halten Sie das Elektrowerkzeug gut fest und bringen Sie Ihren Körper und Ihre Arme in eine Position, in der Sie die Rückschlagkräfte abfangen können. Verwenden Sie immer den Zusatzgriff, falls vorhanden, um die größtmögliche Kontrolle über Rückschlagkräfte oder Reaktionsmomente beim Hochlauf zu haben. Die Bedienperson kann durch geeignete Vorsichtsmaßnahmen die Rückschlag- und Reaktionskräfte beherrschen.

b) Bringen Sie Ihre Hand nie in die Nähe sich drehender Einsatzwerkzeuge. Das Einsatzwerkzeug kann sich beim Rückschlag über Ihre Hand bewegen.

c) Meiden Sie mit Ihrem Körper den Bereich, in den das Elektrowerkzeug bei einem Rückschlag bewegt wird. Der Rückschlag treibt das Elektrowerkzeug in die Richtung entgegengesetzt zur Bewegung der Schleifscheibe an der Blockierstelle.

d) Arbeiten Sie besonders vorsichtig im Bereich von Ecken, scharfen Kanten usw. Verhindern Sie, dass Einsatzwerkzeuge vom Werkstück zurückprallen und verkleben. Das rotierende Einsatzwerkzeug neigt bei Ecken, scharfen Kanten oder wenn es abbrüllt, dazu, sich zu verkleben. Dies verursacht einen Kontrollverlust oder Rückschlag.

e) Verwenden Sie kein Ketten- oder gezähntes Sägeblatt. Solche Einsatzwerkzeuge verursachen häufig einen Rückschlag oder den Verlust der Kontrolle über das Elektrowerkzeug.

SE 12-180: Besondere Sicherheitshinweise zum Sandpapierschleifen

a) Benutzen Sie keine überdimensionierten Schleifblätter, sondern befolgen Sie die Herstellerangaben zur Schleifblattgröße. Schleifblätter, die über den Schleifteller hinausragen, können Verletzungen verursachen sowie zum Blockieren, Zerreißens der Schleifblätter oder zum Rückschlag führen.

PE 150: Besondere Sicherheitshinweise zum Polieren

a) Lassen Sie keine losen Teile der Polierhaube, insbesondere Befestigungsschnüre, zu. Verstauen oder kürzen Sie die Befestigungsschnüre. Lose, sich mitdrehende Befestigungsschnüre können Ihre Finger erfassen oder sich im Werkstück verfangen.

Steckdosen in Außenbereichen müssen mit Fehlerstrom-Schutzschaltern (FI, RCD, PRCD) ausgerüstet sein. Das verlangt die Installationsvorschrift für Ihre Elektroanlage. Bitte beachten Sie das bei der Verwendung unseres Gerätes.

Späne oder Splitter dürfen bei laufender Maschine nicht entfernt werden.

Maschine nur ausgeschaltet an die Steckdose anschließen.

Nicht in den Gefahrenbereich der laufenden Maschine greifen.

Stets den Zusatzhandgriff verwenden.

Gerät sofort ausschalten, wenn beträchtliche Schwingungen auftreten oder andere Mängel festgestellt werden. Überprüfen Sie die Maschine, um die Ursache festzustellen.

Schleifscheiben stets gemäß den Angaben des Herstellers verwenden und aufbewahren.

Beim Schleifen von Metallen entsteht Funkenflug. Darauf achten, dass keine Personen gefährdet werden. Wegen der Brandgefahr dürfen sich keine brennbaren Materialien in der Nähe (Funkenflugbereich) befinden. Keine Staubabsaugung verwenden.

Gerät immer so halten, dass Funken oder Schleifstaub vom Körper wegfiegen.

Die Flanschmutter muss vor Inbetriebnahme der Maschine angezogen sein.

Das zu bearbeitende Werkstück muss festgespannt werden, sofern es nicht durch sein Eigengewicht hält. Niemals Werkstück mit der Hand gegen die Scheibe führen.

Bei extremen Einsatzbedingungen (z. B. beim Glattschleifen von Metallen mit dem Stützteller und Vulkanfieber-Schleifscheiben) kann sich eine starke Verschmutzung im Inneren des Winkelschleifers aufbauen. Bei solchen Einsatzbedingungen ist aus Sicherheitsgründen eine gründliche Reinigung im Inneren von Metallablagerungen

und zwingend das Vorschalten eines Fehlerstrom- (FI) Schutzschalters erforderlich. Nach Ansprechen des FI-Schutzschalters muss die Maschine zur Reparatur eingesandt werden.

Vergewissern Sie sich bei Schleifwerkzeugen mit Gewindeinsatz, dass das Gewinde lang genug ist, um die Spindellänge aufzunehmen.

BESTIMMUNGSGEMÄSSE VERWENDUNG

PE 150: Der Polierer ist einsetzbar zum Polieren von vielen Materialien, z.B. Metall, Kunststoff und Glas. Beachten Sie im Zweifelsfall die Hinweise der Zubehörhersteller.

SE 12-180: Der Sandpapierschleifer ist einsetzbar zum Schleifen von vielen Materialien, z.B. Metall, Kunststoff und Holz. Beachten Sie im Zweifelsfall die Hinweise der Zubehörhersteller.

Dieses Gerät darf nur wie angegeben bestimmungsgemäß verwendet werden.

ANLAUFSTROMBEGRENZUNG + SANFTANLAUF

Der Einschaltstrom der Maschine beträgt ein Mehrfaches des Nennstromes. Durch die Anlaufstrombegrenzung wird der Einschaltstrom so weit reduziert, dass eine Sicherung (16 A träge) nicht anspricht.

Elektronischer Sanftanlauf für sichere Handhabung verhindert beim Einschalten ein ruckartiges Anlaufen der Maschine.

ELEKTRONIK

Die Elektronik regelt die Drehzahl bei steigender Belastung nach.

Bei längerer Überlastung schaltet die Elektronik auf reduzierte Drehzahl. Die Maschine läuft langsam weiter zum Kühlen der Motorwicklung. Nach Aus- und Wiedereinschalten kann mit der Maschine im Nennlastbereich weitergearbeitet werden.

CE-KONFORMITÄTSERKLÄRUNG

Wir erklären in alleiniger Verantwortung, dass das unter „Technische Daten“ beschriebene Produkt mit allen relevanten Vorschriften der Richtlinie 2011/65/EU (RoHS), 2006/42/EG, 2004/108/EG und den folgenden harmonisierten normativen Dokumenten übereinstimmt:

EN 60745-1:2009 + A11:2010
EN 60745-2-3:2011 + A2:2013
EN 55014-1:2006 + A1:2009 + A2:2011
EN 55014-2:1997 + A1:2001 + A2:2008
EN 61000-3-2:2006 + A1:2009 + A2:2009
EN 61000-3-3:2008

Winnenden, 2013-01-28



Alexander Krug
Managing Director



Bevollmächtigt die technischen Unterlagen zusammenzustellen

Techtronic Industries GmbH
Max-Eyth-Straße 10
71364 Winnenden
Germany

NETZANSCHLUSS

Nur an Einphasen-Wechselstrom und nur an die auf dem Leistungsschild angegebene Netzspannung anschließen. Anschluss ist auch an Steckdosen ohne Schutzkontakt möglich, da ein Aufbau der Schutzklasse II vorliegt.

WARTUNG

Stets die Lüftungsschlitze der Maschine sauber halten.

Nur AEG Zubehör und Ersatzteile verwenden. Bauteile, deren Austausch nicht beschrieben wurde, bei einer AEG Kundendienststelle auswechseln lassen (Broschüre Garantie/Kundendienstadressen beachten).

Bei Bedarf kann eine Explosionszeichnung des Gerätes unter Angabe der Maschinen Type und der sechsstelligen Nummer auf dem Leistungsschild bei Ihrer Kundendienststelle oder direkt bei Techtronic Industries GmbH, Max-Eyth-Straße 10, 71364 Winnenden, Germany angefordert werden.

SYMBOL



ACHTUNG! WARNUNG! GEFAHR!



Vor allen Arbeiten an der Maschine Stecker aus der Steckdose ziehen.



Bitte lesen Sie die Gebrauchsanweisung vor Inbetriebnahme sorgfältig durch.



Beim Arbeiten mit der Maschine stets Schutzbrille tragen.



Schutzhandschuhe tragen!



Keine Kraft anwenden.



Zubehör - Im Lieferumfang nicht enthalten, empfohlene Ergänzung aus dem Zubehörprogramm.



Werfen Sie Elektrowerkzeuge nicht in den Hausmüll! Gemäß Europäischer Richtlinie 2002/96/EG über Elektro- und Elektronik-Altgeräte und Umsetzung in nationales Recht müssen verbrauchte Elektrowerkzeuge getrennt gesammelt und einer umweltgerechten Wiederverwertung zugeführt werden.



Elektrowerkzeug der Schutzklasse II. Elektrowerkzeug, bei dem der Schutz vor einem elektrischen Schlag nicht nur von der Basisisolierung abhängt, sondern auch davon, dass zusätzliche Schutzmaßnahmen, wie doppelte Isolierung oder verstärkte Isolierung, angewendet werden. Es gibt keine Vorrichtung zum Anschluss eines Schutzleiters.



CE-Zeichen

CARACTÉRISTIQUES TECHNIQUES	Polisseuse/Ponceuse	PE 150	SE 12-180
Numéro de série	4095 75 02.....	4122 81 02.....000001-999999
Puissance nominale de réception.....	1200 W.....	1200 W.....	600 W.....
Puissance utile	4325 00 02.....000001-999999
Vitesse de rotation à vide	900-2500 min ⁻¹	1800-4800 min ⁻¹
Vitesse de rotation à vide max.	4700 min ⁻¹	9000 min ⁻¹
Diamètre de meule	150 mm.....	180 mm.....
Filetage de l'arbre	M 14.....	M 14.....
Poids suivant EPTA-Procédure 01/2003	2,1 kg.....	2,5 kg.....

Informations sur le bruit et les vibrations

Valeurs de mesure obtenues conformément à la EN 60 745.

Les mesures réelles (A) des niveaux acoustiques de l'appareil sont :

Niveau de pression acoustique (K = 3 dB(A))	82 dB(A).....	82 dB(A).....
Niveau d'intensité acoustique (K = 3 dB(A))	93 dB(A).....	93 dB(A).....

Toujours porter une protection acoustique!

Valeurs totales des vibrations (somme vectorielle de trois sens) établies conformément à EN 60745.

Polissage: valeur d'émission d'oscillations a _r	3 m/s ²	- m/s ²
Incertitude K =	1,5 m/s ²	- m/s ²
Rectification avec disque de rectification en matière plastique: valeur d'émission d'oscillations a _r	- m/s ²	3,3 m/s ²
Incertitude K =	- m/s ²	1,5 m/s ²

AVERTISSEMENT

Le niveau vibratoire indiqué dans ces instructions a été mesuré selon un procédé de mesure normalisé dans la norme EN 60745 et peut être utilisé pour comparer des outils électriques entre eux. Il convient aussi à une estimation provisoire de la sollicitation par les vibrations.

Le niveau vibratoire indiqué représente les applications principales de l'outil électrique. Toutefois, si l'outil électrique est utilisé pour d'autres applications, avec des outils rapportés qui diffèrent ou une maintenance insuffisante, il se peut que le niveau vibratoire diverge. Cela peut augmenter nettement la sollicitation par les vibrations sur tout l'intervalle de temps du travail.

Pour une estimation précise de la sollicitation par les vibrations, on devrait également tenir compte des temps pendant lesquels l'appareil n'est pas en marche ou tourne sans être réellement en service. Cela peut réduire nettement la sollicitation par les vibrations sur tout l'intervalle de temps du travail.

Définissez des mesures de sécurité supplémentaires pour protéger l'utilisateur contre l'influence des vibrations, comme par exemple : la maintenance de l'outil électrique et des outils rapportés, le maintien au chaud des mains, l'organisation des déroulements de travail.

⚠ AVERTISSEMENT! Lisez toutes les consignes de sécurité et les instructions, même celles qui se trouvent dans la brochure ci-jointe. Le non-respect des avertissements et instructions indiqués ci après peut entraîner un choc électrique, un incendie et/ou de graves blessures sur les personnes.

Bien garder tous les avertissements et instructions.

INSTRUCTIONS DE SÉCURITÉ PARTICULIÈRES POLISSEUSE/PONCEUSE

Avertissements communs pour le ponçage au papier de verre et le polissage:

a) Cet outil électrique est destiné à fonctionner comme lustreuse (uniquement PE 150), ponceuse (uniquement SE 12-180). Lire toutes les mises en garde de sécurité, les instructions, les illustrations et les spécifications fournies avec cet outil électrique. Le fait de ne pas suivre toutes les instructions données ci-dessous peut provoquer un choc électrique, un incendie et/ou une blessure grave.

b) Cet outil électrique ne convient pas au meulage à la toile émeri (uniquement PE 150), au polissage (uniquement SE 12-180), tronçonnage à la meule et de dégrossissage en travailler avec des brosses. Les cas d'utilisation pour lesquels l'outil électrique n'est pas prévu peuvent présenter des mises en danger et être à l'origine de blessures.

c) Ne pas utiliser d'accessoires non conçus spécifiquement et recommandés par le fabricant d'outils. Le simple fait que l'accessoire puisse être fixé à votre outil électrique ne garantit pas un fonctionnement en toute sécurité.

d) La vitesse assignée de l'accessoire doit être au moins égale à la vitesse maximale indiquée sur l'outil électrique. Les accessoires fonctionnant plus vite que leur vitesse assignée peuvent se rompre et voler en éclat.

e) Le diamètre extérieur et l'épaisseur de votre accessoire doivent se situer dans le cadre des caractéristiques de capacité de votre outil électrique. Les accessoires dimensionnés de façon incorrecte ne peuvent pas être protégés ou commandés de manière appropriée.

f) La taille de mandrin des meules, flasques, patins d'appui ou tout autre accessoire doit s'adapter correctement à l'arbre de l'outil électrique. Les accessoires avec alésages centraux ne correspondant pas aux éléments de montage de l'outil électrique seront en déséquilibre, vibreront excessivement, et pourront provoquer une perte de contrôle.

g) Ne pas utiliser d'accessoire endommagé. Avant chaque utilisation examiner les accessoires comme les patins d'appui pour détecter des traces éventuelles de fissures, de déchirure ou d'usure excessive. Si l'outil électrique ou l'accessoire a subi une chute, examiner les dommages éventuels ou installer un accessoire non endommagé. Après examen et installation d'un accessoire, placez-vous ainsi que les personnes présentes à distance du plan de l'accessoire rotatif et faire marcher l'outil électrique à vitesse maximale à vide pendant 1 min. Les accessoires endommagés seront normalement détruits pendant cette période d'essai.

h) Porter un équipement de protection individuelle. En fonction de l'application, utiliser un écran facial, des lunettes de sécurité ou des verres de sécurité. Le cas échéant, utiliser un masque antipoussières, des protections auditives, des gants et un tablier capables d'arrêter les petits fragments abrasifs ou des pièces à usiner. La protection oculaire doit être capable d'arrêter les débris volants produits par les diverses opérations. Le masque antipoussières ou le respirateur doit être capable de filtrer les particules produites par vos travaux. L'exposition prolongée aux bruits de forte intensité peut provoquer une perte de l'audition.

i) Maintenir les personnes présentes à une distance de sécurité par rapport à la zone de travail. Toute personne entrant dans la zone de travail doit porter un équipement de protection individuelle. Des fragments de pièce à usiner ou d'un accessoire cassé peuvent être projetés et provoquer des blessures en dehors de la zone immédiate d'opération.

j) Tenir l'outil uniquement par les surfaces de préhension isolantes, pendant les opérations au cours desquelles l'accessoire coupant peut être en contact avec des conducteurs cachés ou avec son propre câble. Le contact de l'accessoire coupant avec un fil « sous tension » peut également mettre « sous tension » les parties métalliques exposées de l'outil électrique et provoquer un choc électrique sur l'opérateur.

k) Placer le câble éloigné de l'accessoire de rotation. Si vous perdez le contrôle, le câble peut être coupé ou subir un accroc et votre main ou votre bras peut être tiré dans l'accessoire de rotation.

l) Ne jamais reposer l'outil électrique avant que l'accessoire n'ait atteint un arrêt complet. L'accessoire de rotation peut agripper la surface et arracher l'outil électrique hors de votre contrôle.

m) Ne pas faire fonctionner l'outil électrique en le portant sur le côté. Un contact accidentel avec l'accessoire de rotation pourrait accrocher vos vêtements et attirer l'accessoire sur vous.

n) Nettoyer régulièrement les orifices d'aération de l'outil électrique. Le ventilateur du moteur attirera la poussière à l'intérieur du boîtier et une accumulation excessive de poudre de métal peut provoquer des dangers électriques.

o) Ne pas faire fonctionner l'outil électrique à proximité de matériaux inflammables. Des étincelles pourraient enflammer ces matériaux.

p) Ne pas utiliser d'accessoires qui nécessitent des réfrigérants fluides. L'utilisation d'eau ou d'autres réfrigérants fluides peut aboutir à une électrocution ou un choc électrique.

Rebonds et mises en garde correspondantes

Le rebond est une réaction soudaine au pincement ou à l'accrochage d'une meule rotative, d'un patin d'appui, d'une brosse ou de tout autre accessoire. Le pincement ou l'accrochage provoque un blocage rapide de l'accessoire en rotation qui, à son tour, contraint l'outil électrique hors de contrôle dans le sens opposé de rotation de l'accessoire au point du grippage. Par exemple, si une meule abrasive est accrochée ou pincée par la pièce à usiner, le bord de la meule qui entre dans le point de pincement peut creuser la surface du matériau, provoquant des sauts ou l'expulsion de la meule. La meule peut sauter en direction de l'opérateur ou encore en s'en éloignant, selon le sens du mouvement de la meule au point de pincement. Le rebond résulte d'un mauvais usage de l'outil et/ou de procédures ou de conditions de fonctionnement incorrectes et peut être évité en prenant les précautions appropriées spécifiées ci-dessous.

a) Maintenir fermement l'outil électrique et placer votre corps et vos bras pour vous permettre de résister aux forces de rebond. Toujours utiliser une poignée auxiliaire, le cas échéant, pour une maîtrise maximale du rebond ou de la réaction de couple au cours du démarrage. L'opérateur peut maîtriser les couples de réaction ou les forces de rebond, si les précautions qui s'imposent sont prises.

b) Ne jamais placer votre main à proximité de l'accessoire en rotation. L'accessoire peut effectuer un rebond sur votre main.

c) Ne pas vous placer dans la zone où l'outil électrique se déplacera en cas de rebond. Le rebond pousse l'outil dans le sens opposé au mouvement de la meule au point d'accrochage.

d) Apporter un soin particulier lors de travaux dans les coins, les arêtes vives etc. Éviter les rebondissements et les accrochages de l'accessoire. Les coins, les arêtes vives

ou les rebondissements ont tendance à accrocher l'accessoire en rotation et à provoquer une perte de contrôle ou un rebond.

e) Ne pas fixer de chaîne coupante, de lame de sculpture sur bois, de chaîne coupante ni de lame de scie dentée. De telles lames provoquent des rebonds fréquents et des pertes de contrôle.

SE 12-180:

Mises en garde de sécurité spécifiques aux opérations de ponçage

a) Ne pas utiliser de papier abrasif trop surdimensionné pour les disques de ponçage. Suivre les recommandations des fabricants, lors du choix du papier abrasif. Un papier abrasif plus grand s'étendant au-delà du patin de ponçage présente un danger de lacération et peut provoquer un accrochage, une déchirure du disque ou un rebond.

PE 150:

Mises en garde de sécurité spécifiques aux opérations de lustrage

a) Ne permettre à aucune partie lâche du bonnet de lustrage ou de ses fils de fixation de tourner librement. Cacher ou tailler tous les fils de fixation lâches. Les fils de fixation lâches et en rotation peuvent s'enchevêtrer sur vos doigts ou s'accrocher sur la pièce à usiner.

Les prises de courant se trouvant à l'extérieur doivent être équipées de disjoncteurs différentiel (FI, RCD, PRCD) conformément aux prescriptions de mise en place de votre installation électrique. Veuillez en tenir compte lors de l'utilisation de notre appareil.

Ne jamais enlever les copeaux ni les éclats lorsque la machine est en marche.

Ne raccorder la machine au réseau que si l'interrupteur est en position arrêt.

Ne jamais intervenir dans la zone dangereuse lorsque la machine est en marche.

Utiliser toujours la poignée supplémentaire.

Arrêter la machine tout de suite lorsqu'il y a des vibrations importantes ou que d'autres défauts surgissent. Contrôler la machine afin d'en trouver les causes.

Toujours utiliser et conserver les meules conformément aux indications du fabricant.

L'usinage des métaux génère des étincelles. Veiller à ce que personne ne soit exposé à un danger. En raison du risque d'incendie, aucune matière inflammable ou combustible ne doit se trouver dans la zone de projection des étincelles. Ne pas utiliser d'aspirateur de poussières.

Toujours maintenir la machine de façon à ce que étincelles et poussières soient projetées dans la direction opposée au corps.

L'écran du flasque doit être serré avant de mettre en marche la machine.

La pièce à travailler doit être fortement serrée lorsque son propre poids ne suffit pas à la maintenir. Ne jamais guider la pièce à travailler à la main vers la meule.

Dans le cas de conditions d'utilisation extrêmes (par exemple, pendant le polissage à la meule des métaux avec le plateau d'appui et les disques de rectification aux fibres vulcanisées), un encrassement important peut se former à l'intérieur de la meuleuse d'angle. Dans de telles conditions d'utilisation, il est nécessaire pour des raisons de sécurité de procéder à un nettoyage minutieux à l'intérieur pour éliminer les dépôts métalliques et de monter absolument un interrupteur de protection contre les courants de court-circuit en amont. La machine doit nous être expédiée pour une réparation si cet interrupteur de protection se déclenche.

Sur les machines prévues pour les outils abrasifs à orifice fileté, vérifiez que la profondeur du filetage est suffisante pour la longueur de la broche.

UTILISATION CONFORME AUX PRESCRIPTIONS

PE 150: La ponceuse peut être utilisée pour le polissage de vernis, de revêtements, de matières synthétiques et autres surfaces planes.

SE 12-180: La machine utilisée pour poncer le bois, les plastiques et le métal.

Comme déjà indiqué, cette machine n'est conçue que pour une utilisation normale.

LIMITATION DU COURANT DE DÉMARRAGE + DÉMARRAGE EN DOUCEUR

La tension d'amorçage de la machine est un multiple de sa tension nominale. Grâce à la limitation du courant de démarrage, la tension d'amorçage est réduite à tel point qu'un fusible (16 A à action retardée) ne répond pas.

Démarrage électronique en douceur garantissant un maniement fiable tout en empêchant un démarrage brusque lors de la mise en marche de la machine.

ÉLECTRONIQUE

En cas d'augmentation de la sollicitation, l'électronique adapte la vitesse de rotation en conséquence.

En cas de surcharge prolongée, l'électronique réduit la vitesse de rotation. La machine continue à tourner lentement afin de refroidir le bobinage du moteur. Après arrêt et remise en marche de la machine, il est possible de la faire tourner en charge nominale.

DECLARATION "CE DE CONFORMITÉ

Nous déclarons sous notre seule responsabilité que le produit décrit sous « Caractéristiques techniques » concorde avec toutes les consignes pertinentes de la directive 2011/65 EU (RoHS), 2006/42/CE, 2004/108/CE et les documents normatifs harmonisés suivants :

EN 60745-1:2009 + A11:2010
EN 60745-2-3:2011 + A2:2013
EN 55014-1:2006 + A1:2009 + A2:2011
EN 55014-2:1997 + A1:2001 + A2:2008
EN 61000-3-2:2006 + A1:2009+A2:2009
EN 61000-3-3:2008

Winnenden, 2013-01-28


Alexander Krug
Managing Director



Autorisé à compiler la documentation technique.

Technronic Industries GmbH
Max-Eyth-Straße 10
71364 Winnenden
Germany

BRANCHEMENT SECTEUR

Raccorder uniquement à un courant électrique monophasé et uniquement à la tension secteur indiquée sur la plaque signalétique. Le raccordement à des prises de courant sans contact de protection est également possible car la classe de protection II est donnée.

ENTRETIEN

Tenir toujours propre les orifices de ventilation de la partie moteur.

N'utiliser que des pièces et accessoires AEG. Pour des pièces dont l'échange n'est pas décrit, s'adresser de préférence aux stations de service après-vente AEG (voir brochure Garantie/ Adresses des stations de service après-vente).

En cas de besoin il est possible de demander un dessin éclaté du dispositif en indiquant le modèle de la machine et le numéro de six chiffres imprimé sur la plaquette de puissance et en s'adressant au centre d'assistance technique ou directement à Technronic Industries GmbH, Max-Eyth-Straße 10, 71364 Winnenden, Germany.

SYMBOLLES



ATTENTION! AVERTISSEMENT! DANGER!



Avant tous travaux sur la machine extraire la fiche de la prise de courant.



Veillez lire avec soin le mode d'emploi avant la mise en service



Toujours porter des lunettes protectrices en travaillant avec la machine.



Porter des gants de protection!



Ne pas appliquer de la force.



Accessoires - Ces pièces ne font pas partie de la livraison. Il s'agit là de compléments recommandés pour votre machine et énumérés dans le catalogue des accessoires.



Ne pas jeter les appareils électriques dans les ordures ménagères ! Conformément à la directive européenne 2002/96/EG relative aux déchets d'équipements électriques ou électroniques (DEEE), et à sa transposition dans la législation nationale, les appareils électriques doivent être collectés à part et être soumis à un recyclage respectueux de l'environnement.



Outil électrique en classe de protection II. Outil électrique équipé d'une protection contre la fulguration électrique qui ne dépend seulement de l'isolation de base mais aussi de l'application d'autres mesures de protection telles qu'une double isolation ou une isolation augmentée. La connexion d'un conducteur de protection n'est pas prédisposée.



Marque CE

DATI TECNICI

	Lucidatrice/Levigatrice	PE 150	SE 12-180
Numero di serie	4095 75 02...	4122 81 02...	4325 00 02...
.....000001-999999000001-999999000001-999999
Potenza assorbita nominale	1200 W	1200 W	1200 W
Potenza erogata	600 W	600 W	600 W
Numero di giri a vuoto	900-2500 min ⁻¹	1800-4800 min ⁻¹	1800-4800 min ⁻¹
Max. numero di giri a vuoto	4700 min ⁻¹	9000 min ⁻¹	9000 min ⁻¹
Ø disco abrasivo	150 mm	180 mm	180 mm
Passo attacco codolo	M 14	M 14	M 14
Peso secondo la procedura EPTA 01/2003	2,1 kg	2,5 kg	2,5 kg

Informazioni sulla rumorosità/sulle vibrazioni

Valori misurati conformemente alla norma EN 60 745.

La misurazione A del livello di pressione acustica dell'utensile è di solito di:

Livello di rumorosità (K=3 dB(A))	82 dB(A)	82 dB(A)
Potenza della rumorosità (K=3 dB(A))	93 dB(A)	93 dB(A)

Utilizzare le protezioni per l'udito!

Valori totali delle oscillazioni (somma di vettori in tre direzioni) misurati conformemente alla norma EN 60745

Lucidatura: valore di emissione oscillazioni a _h	3 m/s ²	- m/s ²
Incertezza della misura K =	1,5 m/s ²	- m/s ²
Rettificata con disco smerigliatore di plastica: valore di emissione oscillazioni a _h	- m/s ²	3,3 m/s ²
Incertezza della misura K =	- m/s ²	1,5 m/s ²

AVVERTENZA

Il livello di vibrazioni indicato nelle presenti istruzioni è stato misurato in conformità con un procedimento di misurazione codificato nella EN 60745 e può essere utilizzato per un confronto tra attrezzi elettrici. Inoltre si può anche utilizzare per una valutazione preliminare della sollecitazione da vibrazioni.

Il livello di vibrazioni indicato rappresenta le applicazioni principali dell'attrezzo elettrico. Se viceversa si utilizza l'attrezzo elettrico per altri scopi, con accessori differenti o con una manutenzione insufficiente, il livello di vibrazioni può risultare diverso. E questo può aumentare decisamente la sollecitazione da vibrazioni lungo l'intero periodo di lavorazione.

Ai fini di una valutazione precisa della sollecitazione da vibrazioni si dovrebbero tenere presente anche i periodi in cui l'apparecchio rimane spento oppure, anche se acceso, non viene effettivamente utilizzato. Ciò può ridurre notevolmente la sollecitazione da vibrazioni lungo l'intero periodo di lavorazione.

Stabilite misure di sicurezza supplementari per la tutela dell'operatore dall'effetto delle vibrazioni, come ad esempio: manutenzione dell'attrezzo elettrico e degli accessori, riscaldamento delle mani, organizzazione dei processi di lavoro.

AVVERTENZA! E' necessario leggere tutte le indicazioni di sicurezza e le istruzioni, anche quelle contenute nella brochure allegata. In caso di mancato rispetto delle avvertenze di pericolo e delle istruzioni operative si potrà creare il pericolo di scosse elettriche, incendi e/o incidenti gravi.
Conservare tutte le avvertenze di pericolo e le istruzioni operative per ogni esigenza futura.

NORME DI SICUREZZA LUCIDATRICE/LEVIGATRICE

Istruzioni di sicurezza generali per lavori di levigatura con carta vetrata e lucidatura:

a) Questo elettroutensile è previsto per essere utilizzato come lucidatrice (solo PE 150) e levigatrice per carta a vetro (solo SE 12-180). Attenersi a tutte le avvertenze di pericolo, istruzioni, rappresentazioni e dati che si ricevono insieme all'elettroutensile. In caso di mancata osservanza delle seguenti istruzioni vi è il pericolo di provocare una scossa elettrica, di sviluppare incendi e/o di provocare seri incidenti.

b) Questo attrezzo elettrico non è idoneo per la rettifica con carta vetrata (solo PE 150), la lucidatura (solo SE 12-180), rettifica di asportazione e di sgrossatura e al lavoro con spazzole metalliche. Qualsiasi utilizzo non previsto con il presente attrezzo elettrico può causare pericolo e lesioni.

c) Non utilizzare nessun accessorio che la casa costruttrice non abbia esplicitamente previsto e raccomandato per questo elettroutensile. Il semplice fatto che un accessorio possa essere fissato al Vostro elettroutensile non è una garanzia per un impiego sicuro.

d) Il numero di giri ammesso dell'accessorio impiegato deve essere almeno tanto alto quanto il numero massimo di giri riportato sull'elettroutensile. Un accessorio che gira più rapidamente di quanto consentito può rompersi in vari pezzi e venir lanciato intorno.

e) Il diametro esterno e lo spessore dell'accessorio montato devono corrispondere ai dati delle dimensioni dell'elettroutensile in dotazione. In caso di utilizzo di portautensili e di accessori di dimensioni sbagliate non sarà possibile schermarli oppure controllarli a sufficienza.

f) Dischi abrasivi, flange, platorelli oppure altri portautensili ed accessori devono adattarsi perfettamente al mandrino portamola dell'elettroutensile in dotazione. Portautensili ed accessori che non si adattano perfettamente al mandrino portamola dell'elettroutensile non ruotano in modo uniforme, vibrano molto forte e possono provocare la perdita del controllo.

g) Non utilizzare mai portautensili od accessori danneggiati. Prima di ogni utilizzo controllare i portautensili e gli accessori ed accertarsi che il platorello non sia soggetto ad incrinature. Se l'elettroutensile oppure l'accessorio impiegato dovesse sfuggire dalla mano e cadere, accertarsi che questo non abbia subito nessun danno oppure utilizzare un accessorio intatto. Una volta controllato e montato il portautensili o accessorio, far funzionare l'elettroutensile per la durata di un minuto con il numero massimo di giri avendo cura di tenersi lontani e di impedire anche ad altre persone presenti di avvicinarsi al portautensili o accessorio in rotazione. Nella maggior parte dei casi i portautensili o accessori danneggiati si rompono nel corso di questo periodo di prova.

h) Indossare abbigliamento di protezione. A seconda dell'applicazione in corso utilizzare una visiera completa, maschera di protezione per gli occhi oppure occhiali di sicurezza. Per quanto necessario, portare maschere per polveri, protezione acustica, guanti di protezione oppure un grembiule speciale in grado di proteggerli da piccole particelle di levigatura o di materiale. Gli occhi dovrebbero essere protetti da corpi estranei espulsi in aria nel corso di diverse applicazioni. La maschera antipolvere e la maschera respiratoria devono essere in grado di filtrare la polvere

provocata durante l'applicazione. Esponendosi per lungo tempo ad un rumore troppo forte vi è il pericolo di perdere l'udito.

i) Avere cura di evitare che altre persone possano avvicinarsi alla zona in cui si sta lavorando. Ogni persona che entra nella zona di operazione deve indossare un abbigliamento protettivo personale. Frammenti del pezzo in lavorazione oppure utensili rotti possono volare via oppure provocare incidenti anche al di fuori della zona diretta di lavoro.

j) Quando si eseguono lavori in cui vi è pericolo che l'accessorio impiegato possa arrivare a toccare cavi elettrici nascosti oppure anche il cavo elettrico della macchina stessa, tenere l'elettrotensile afferrandolo sempre alle superfici di impugnatura isolate. Un contatto con un cavo elettrico mette sotto tensione anche le parti in metallo dell'elettrotensile e provoca quindi una scossa elettrica.

k) Tenere il cavo di collegamento elettrico sempre lontano da portautensili o accessori in rotazione. Se si perde il controllo sull'elettrotensile vi è il pericolo di troncare o di colpire il cavo di collegamento elettrico e la Vostra mano o braccio può arrivare a toccare il portautensile o accessorio in rotazione.

l) Mai poggiare l'elettrotensile prima che il portautensile o l'accessorio impiegato non si sia fermato completamente. L'utensile in rotazione può entrare in contatto con la superficie di appoggio facendoVi perdere il controllo sulla macchina pneumatica.

m) Mai trasportare l'elettrotensile mentre questo dovesse essere ancora in funzione. Attraverso un contatto casuale l'utensile in rotazione potrebbe fare presa sugli indumenti oppure sui capelli dell'operatore e potrebbe arrivare a ferire seriamente il corpo dell'operatore.

n) Pulire regolarmente le feritoie di ventilazione dell'elettrotensile in dotazione. Il ventilatore del motore attira polvere nella carcassa ed una forte raccolta di polvere di metallo può provocare pericoli di origine elettrica.

o) Non utilizzare mai l'elettrotensile nelle vicinanze di materiali infiammabili. Le scintille possono far prendere fuoco questi materiali.

p) Non utilizzare mai accessori che richiedano refrigeranti liquidi. L'utilizzo di acqua o di altri liquidi refrigeranti può provocare una scossa di corrente elettrica.

Contraccollo e relative avvertenze di pericolo

Un contraccollo è l'improvvisa reazione in seguito ad agganciamento oppure blocco di accessorio in rotazione come può essere un disco abrasivo, piatello, spazzola metallica ecc.. Agganciandosi oppure bloccandosi il portautensile o accessorio provoca un arresto improvviso della rotazione dello stesso. In questo caso l'operatore non è più in grado di controllare l'elettrotensile ed al punto di blocco si provoca un rimbalzo dello stesso che avviene nella direzione opposta a quella della rotazione del portautensile o dell'accessorio. Se p. es. un disco abrasivo resta agganciato o bloccato nel pezzo in lavorazione, il bordo del disco abrasivo che si abbassa nel pezzo in lavorazione può rimanere impigliato provocando in questo modo una rottura oppure un contraccollo del disco abrasivo. Il disco abrasivo si avvicina o si allontana dall'operatore a seconda della direzione di rotazione che ha nel momento in cui si blocca.

Un contraccollo è la conseguenza di un utilizzo non appropriato oppure non corretto dell'elettrotensile. Esso può essere evitato soltanto prendendo misure adatte di sicurezza come dalla descrizione che segue.

a) Tenere sempre ben saldo l'elettrotensile e portare il proprio corpo e le proprie braccia in una posizione che vi permetta di compensare le forze di contraccollo. Se disponibile, utilizzare sempre l'impugnatura supplementare in modo da poter avere sempre il maggior controllo possibile su forze di contraccollo oppure momenti di reazione che si sviluppano durante la fase in cui la macchina raggiunge il regime di pieno carico. Prendendo appropriate misure di precauzione l'operatore può

essere in grado di tenere sotto controllo le forze di contraccollo e quelle di reazione a scatti.

b) Mai avvicinare la propria mano alla zona degli utensili in rotazione. Nel corso dell'azione di contraccollo il portautensile o accessorio potrebbe passare sulla Vostra mano.

c) Evitare di avvicinarsi con il proprio corpo alla zona in cui l'elettrotensile viene mosso in caso di un contraccollo. Un contraccollo provoca uno spostamento improvviso dell'elettrotensile che si sviluppa nella direzione opposta a quella della rotazione della mola abrasiva al punto di blocco.

d) Operare con particolare attenzione in prossimità di spigoli, spigoli taglienti ecc.. Avere cura di impedire che portautensili o accessori possano rimbalzare dal pezzo in lavorazione oppure possano rimanervi bloccati. L'utensile in rotazione ha la tendenza a rimanere bloccato in angoli, spigoli taglienti oppure in caso di rimbalzo. Ciò provoca una perdita del controllo oppure un contraccollo.

e) Non utilizzare seghe a catena e neppure lame dentellate. Questo tipo di accessori provocano spesso un contraccollo oppure la perdita del controllo sull'elettrotensile.

SE 12-180:

Avvertenze di pericolo specifiche per lavori di levigatura con carta vetro

a) Non utilizzare mai fogli abrasivi troppo grandi ma attenersi alle indicazioni del rispettivo produttore relative alle dimensioni dei fogli abrasivi. Fogli abrasivi che dovessero sporgere oltre il piatello possono provocare incidenti oppure blocchi, strappi dei fogli abrasivi oppure contraccolli.

PE 150:

Avvertenze di pericolo specifiche per operazioni di lucidatura

a) Evitare assolutamente che parti della cappa lucidatura restino staccate e prestare in modo particolare attenzione alle cordicelle di fissaggio. Raccogliere per bene oppure tagliare le cordicelle di fissaggio ad una lunghezza adatta. Cordicelle di fissaggio che girino con la cappa possono far presa sulle dita dell'operatore oppure rimanere impigliate nel pezzo in lavorazione.

Gli apparecchi mobili usati all'aperto devono essere collegati interponendo un interruttore di sicurezza (FI, RCD, PRCD) per guasti di corrente.

Non rimuovere trucioli o schegge mentre l'utensile è in funzione.

Inserire la spina solo con interruttore su posizione "OFF".

Non entrare nel raggio d'azione dell'utensile mentre è in funzione.

Utilizzare sempre l'impugnatura laterale.

Disinserire immediatamente la macchina in caso che si verificano delle forti oscillazioni oppure se si riscontrano altri difetti. Controllare la macchina per cercare di identificarne le cause.

Utilizzare e conservare le mole abrasive conformemente alle indicazioni della casa costruttrice.

Smerigliando metalli si producono scintille. Attenzione a non mettere in pericolo l'incolumità di persone. Per via del pericolo di incendio, nessun tipo di materiale infiammabile può trovarsi nelle vicinanze (potenziale raggio delle scintille). Non utilizzare aspirapolveri.

Tenere sempre l'utensile in modo tale che le scintille e polveri di molatura volino lontano dal corpo.

Il dado flangiato deve essere serrato prima dell'utilizzo della macchina.

Il pezzo in lavorazione deve essere ben bloccato in posizione a meno che non resti stabile per via del proprio peso. Mai applicare a mano sulla mola il pezzo in lavorazione.

In condizioni di utilizzo estreme (ad es. nella rettifica liscia di metalli con il piatto di appoggio e dischi smerigliatori in fibra vulcanizzata) si può accumulare molta sporcizia all'interno della smerigliatrice angolare. Con simili condizioni di utilizzo, per motivi di sicurezza, è necessaria una pulizia a fondo all'interno per eliminare i depositi di metallo ed è assolutamente indispensabile inserire un interruttore di sicurezza per corrente di guasto a monte. Quando scatta l'interruttore di sicurezza la macchina va spedita alla riparazione.

Per gli utensili previsti per il montaggio con mola con foro filettato, verificare che la filettatura della mola sia sufficientemente lunga da consentire l'inserimento del mandrino.

UTILIZZO CONFORME

PE 150: Il lucidatore può essere usato per lucidare vernici, rivestimenti, plastiche o altre superfici lisce.

SE 12-180: La macchina è adatta per trattare superfici piane di legno, plastica e metallo.

Utilizzare il prodotto solo per l'uso per cui è previsto.

LIMITAZIONE DELLA CORRENTE D'AVVIAMENTO + AVVIAMENTO GRADUALE

La corrente d'avviamento della macchina ha un valore multiplo della corrente nominale. Mediante la limitazione della corrente d'avviamento, essa viene ridotta in modo da non causare lo sgancio dell'interruttore automatico (da 16 A).

Avviamento elettronico graduale, non brusco, per garantire una presa più sicura

ELETTRONICA

L'elettronica regola l'assorbimento di corrente in base al carico.

In caso di sovraccarico l'elettronica provvede a ridurre l'assorbimento di corrente fino a che non viene ridotto il carico, la macchina procede lentamente. A seguito dello spegnimento il motore si raffredda e alla riaccensione riparte normalmente.

DICHIARAZIONE DI CONFORMITÀ CE

Dichiaro sotto la nostra esclusiva responsabilità che il prodotto descritto ai „Dati tecnici“ corrisponde a tutte le disposizioni delle direttive 2011/65/EU (RoHS), 2006/42/CE, 2004/108/CE e successivi documenti normativi armonizzati:

EN 60745-1:2009 + A11:2010
EN 60745-2-3:2011 + A2:2013
EN 55014-1:2006 + A1:2009 + A2:2011
EN 55014-2:1997 + A1:2001 + A2:2008
EN 61000-3-2:2006 + A1:2009+A2:2009
EN 61000-3-3:2008

Winnenden, 2013-01-28

Alexander Krug
Managing Director



Autorizzato alla preparazione della documentazione tecnica

Techtronic Industries GmbH
Max-Eyth-Straße 10
71364 Winnenden
Germany

COLLEGAMENTO ALLA RETE

Connettere solo corrente alternata mono fase e solo al sistema di voltaggio indicato sulla piastra. E' possibile anche connettere la presa senza un contatto di messa a terra così come prevede lo schema conforme alla norme di sicurezza di classe II.

MANUTENZIONE

Tener sempre ben pulite le fessure di ventilazione dell'apparecchio.

Utilizzare esclusivamente accessori e pezzi di ricambio AEG. L'installazione di pezzi di ricambio non specificamente prescritti dall'AEG va preferibilmente effettuata dal servizio di assistenza clienti AEG (ved. opuscolo Garanzia/Indirizzi Assistenza tecnica).

In caso di necessità è possibile richiedere un disegno esploso del dispositivo indicando il modello della macchina ed il numero a sei cifre sulla targa di potenza rivolgendosi al centro di assistenza tecnica o direttamente a Techtronic Industries GmbH, Max-Eyth-Straße 10, 71364 Winnenden, Germany.

SIMBOLI



ATTENZIONE! AVVERTENZA! PERICOLO!



Prima di effettuare qualsiasi lavoro sulla macchina togliere la spina dalla presa di corrente.



Leggere attentamente le istruzioni per l'uso prima di mettere in funzione l'elettrotensile.



Durante l'uso dell'apparecchio utilizzare sempre gli occhiali di protezione.



Indossare guanti protettivi!



Non applicare forza.



Accessorio - Non incluso nella dotazione standard, disponibile a parte come accessorio.



Non gettare le apparecchiature elettriche tra i rifiuti domestici. Secondo la Direttiva Europea 2002/96/CE sui rifiuti di apparecchiature elettriche ed elettroniche e la sua attuazione in conformità alle norme nazionali, le apparecchiature elettriche esauste devono essere accolte separatamente, al fine di essere reimpiegate in modo eco-compatibile.



Utensile elettrico di classe di protezione II. Utensile elettrico sul quale la protezione contro la folgorazione elettrica non dipende soltanto dall'isolamento di base, ma anche dall'applicazione di ulteriori misure di protezione, come il doppio isolamento o l'isolamento maggiorato. Non è predisposto il collegamento di un conduttore di protezione.



Marchio CE

DATOS TÉCNICOS	Pulidora/Lijadora	PE 150	SE 12-180
Número de producción	4095 75 02...	4122 81 02...
.....	4325 00 02...000001-999999
Potencia de salida nominal.....	1200 W.....	1200 W.....
Potencia entregada	600 W.....	600 W.....
Velocidad en vacío	900-2500 min ⁻¹	1800-4800 min ⁻¹
Máx. velocidad en vacío	4700 min ⁻¹	9000 min ⁻¹
Diám. disco de amolado.....	150 mm.....	180 mm.....
Rosca de eje de trabajo.....	M 14.....	M 14.....
Peso de acuerdo con el procedimiento EPTA 01/2003	2,1 kg.....	2,5 kg.....

Información sobre ruidos / vibraciones

Determinación de los valores de medición según norma EN 60 745.

El nivel de ruido típico del aparato determinado con un filtro

A corresponde a:

Presión acústica (K = 3 dB(A)).....	82 dB(A).....	82 dB(A).....
Resonancia acústica (K = 3 dB(A)).....	93 dB(A).....	93 dB(A).....

Usar protectores auditivos!

Nivel total de vibraciones (suma vectorial de tres direcciones) determinado según EN 60745.

Pulido: valor emisiones de vibración a_v.....
 3 m/s²..... | - m/s²..... |

Tolerancia K =.....
 1,5 m/s²..... | - m/s²..... |

Rectificar con plato de rectificado de plástico: valor emisiones de vibración a_v.....
 - m/s²..... | 3,3 m/s²..... |

Tolerancia K =.....
 - m/s²..... | 1,5 m/s²..... |

ADVERTENCIA

El nivel vibratorio indicado en estas instrucciones ha sido medido conforme a un método de medición estandarizado en la norma EN 60745, y puede utilizarse para la comparación entre herramientas eléctricas. También es apropiado para una estimación provisional de la carga de vibración.

El nivel vibratorio indicado representa las aplicaciones principales de la herramienta eléctrica. Si, pese a ello, se utiliza la herramienta eléctrica para otras aplicaciones, con útiles adaptables diferentes o con un mantenimiento insuficiente, el nivel vibratorio puede diferir. Esto puede incrementar sensiblemente la carga de vibración durante todo el periodo de trabajo.

Para una estimación exacta de la carga de vibración deberían tenerse en cuenta también los tiempos durante los que el aparato está apagado o, pese a estar en funcionamiento, no está siendo realmente utilizado. Esto puede reducir sustancialmente la carga de vibración durante todo el periodo de trabajo.

Adopte medidas de seguridad adicionales para la protección del operador frente al efecto de las vibraciones, como por ejemplo: mantenimiento de la herramienta eléctrica y de los útiles adaptables, mantener las manos calientes, organización de los procesos de trabajo.

⚠ ADVERTENCIA! Rogamos leer las indicaciones de seguridad y las instrucciones, también las que contiene el folleto adjunto. En caso de no atenderse a las advertencias de peligro e instrucciones siguientes, ello puede ocasionar una descarga eléctrica, un incendio y/o lesión grave.
Guardar todas las advertencias de peligro e instrucciones para futuras consultas.

INSTRUCCIONES DE SEGURIDAD PULIDORA/LIJADORA

Advertencias de peligro generales al realizar trabajos lijarse y pulir:

a) Esta herramienta eléctrica ha sido concebida para pulir (sólo PE 150) y lijarse (sólo SE 12-180). Observe todas las advertencias de peligro, instrucciones, ilustraciones y especificaciones técnicas que se suministran con la herramienta eléctrica. En caso de no atenderse a las instrucciones siguientes, ello puede provocar una electrocución, incendio y/o lesiones serias.

b) Esta herramienta eléctrica no es adecuada para esmerilar con papel de lija (sólo PE 150) ni para pulir (sólo SE 12-180), tronzado y rectificado de desbaste y trabajar con cepillo de alambre. El uso de la herramienta para un fin no previsto puede conllevar riesgos y causar heridas.

c) No emplee accesorios diferentes de aquellos que el fabricante haya previsto o recomendado especialmente para esta herramienta eléctrica. El mero hecho de que sea acoplable un accesorio a su herramienta eléctrica no implica que su utilización resulte segura.

d) Las revoluciones admisibles del útil deberán ser como mínimo iguales a las revoluciones máximas

indicadas en la herramienta eléctrica. Aquellos accesorios que giren a unas revoluciones mayores a las admisibles pueden llegar a romperse y salir despedidos.

e) El diámetro exterior y el grosor del útil deberán corresponder con las medidas indicadas para su herramienta eléctrica. Los útiles de dimensiones incorrectas no pueden protegerse ni controlarse con suficiente seguridad.

f) Los orificios de los discos amoladores, bridas, platos lijadores u otros útiles deberán alojar exactamente sobre el husillo de su herramienta eléctrica. Los útiles que no ajusten correctamente sobre el husillo de la herramienta eléctrica, al girar descentrados, generan unas vibraciones excesivas y pueden hacerle perder el control sobre el aparato.

g) No use útiles dañados. Antes de cada uso inspeccione el estado de los útiles con el fin de detectar, p. ej. si está agrietado o muy desgastado el plato lijador. Si se le cae la herramienta eléctrica o el útil, inspeccione si han sufrido algún daño o monte otro útil en correctas condiciones. Una vez controlado y montado el útil sitúese Vd. y las personas circundantes fuera del plano de rotación del útil y deje funcionar la herramienta eléctrica en vacío, a las revoluciones máximas, durante un minuto. Por lo regular, aquellos útiles que estén dañados suelen romperse al realizar esta comprobación.

h) Utilice un equipo de protección personal. Dependiendo del trabajo a realizar use una careta, una protección para los ojos, o unas gafas de protección. Si procede, emplee una mascarilla antipolvo, protectores auditivos, guantes de protección o un mandil especial adecuado para protegerle de los pequeños fragmentos que pudieran salir proyectados al desprenderse del útil

o pieza. Las gafas de protección deberán ser indicadas para protegerle de los fragmentos que pudieran salir despedidos al trabajar. La mascarilla antipolvo o respiratoria deberá ser apta para filtrar las partículas producidas al trabajar. La exposición prolongada al ruido puede provocar sordera.

i) Cuides que las personas en las inmediaciones se mantengan a suficiente distancia de la zona de trabajo. Toda persona que acceda a la zona de trabajo deberá utilizar un equipo de protección personal. Podrían ser lesionadas, incluso fuera del área de trabajo inmediato, al salir proyectados fragmentos de la pieza de trabajo o del útil.

j) Únicamente sujete el aparato por las empuñaduras aisladas al realizar trabajos en los que el útil pueda tocar conductores eléctricos ocultos o el propio cable del aparato. El contacto con conductores portadores de tensión puede hacer que las partes metálicas del aparato le provoquen una descarga eléctrica.

k) Mantenga el cable de red alejado del útil en funcionamiento. En caso de que Vd. pierda el control sobre la herramienta eléctrica puede llegar a cortarse o enredarse el cable de red con el útil y lesionarle su mano o brazo.

l) Jamás deposite la herramienta eléctrica antes de que el útil se haya detenido por completo. El útil en funcionamiento puede llegar a tocar la base de apoyo y hacerle perder el control sobre la herramienta eléctrica.

m) No deje funcionar la herramienta eléctrica mientras la transporta. El útil en funcionamiento podría lesionarle al engancharse accidentalmente con su vestimenta.

n) Limpie periódicamente las rejillas de refrigeración de su herramienta eléctrica. El ventilador del motor aspira polvo hacia el interior de la carcasa, por lo que, en caso de una acumulación fuerte de polvo metálico, ello puede provocar una descarga eléctrica.

o) No utilice la herramienta eléctrica cerca de materiales combustibles. Las chispas producidas al trabajar pueden llegar a incendiar estos materiales.

p) No emplee útiles que requieran ser refrigerados con líquidos. La aplicación de agua u otros refrigerantes líquidos puede comportar una descarga eléctrica.

Causas del rechazo y advertencias al respecto

El rechazo es una reacción brusca que se produce al atascarse o engancharse el útil, como un disco de amolar, plato lijador, cepillo, etc. Al atascarse o engancharse el útil en funcionamiento, éste es frenado bruscamente. Ello puede hacerle perder el control sobre la herramienta eléctrica y hacer que ésta salga impulsada en dirección opuesta al sentido de giro que tenía el útil. En el caso, p. ej., de que un disco amolador se atasque o bloquee en la pieza de trabajo, puede suceder que el canto del útil que penetra en el material se enganche, provocando la rotura del útil o el rechazo del aparato. Según el sentido de giro y la posición del útil en el momento de bloquearse puede que éste resulte despedido hacia, o en sentido opuesto al usuario.

El rechazo es ocasionado por la aplicación o manejo incorrecto de la herramienta eléctrica. Es posible evitarlo atendiéndose a las medidas preventivas que a continuación se detallan.

a) Sujete con firmeza la herramienta eléctrica y mantenga su cuerpo y brazos en una posición propicia para resistir las fuerzas de reacción. Si forma parte del aparato, utilice siempre la empuñadura adicional para poder soportar mejor las fuerzas del rechazo, además de los pares de reacción que se presentan en la puesta en marcha. El usuario puede controlar las fuerzas del rechazo y de reacción si toma unas medidas preventivas oportunas.

b) Jamás aproxime su mano al útil en funcionamiento. En caso de un rechazo, el útil podría lesionarle la mano.

c) No se sitúe dentro del área hacia el que se movería la herramienta eléctrica al ser rechazada. Al resultar rechazada, la herramienta eléctrica saldrá despedida desde el punto de bloqueo en dirección opuesta al sentido de giro del útil.

d) Tenga especial precaución al trabajar esquinas, cantos afilados, etc. Evite que el útil de amolar rebote contra la pieza de trabajo o que se atasque. En las esquinas, cantos afilados, o al rebotar, el útil en funcionamiento tiende a atascarse. Ello puede hacerle perder el control o causar un rechazo del útil.

e) No utilice hojas de sierra para madera ni otros útiles dentados. Estos útiles son propensos al rechazo y pueden hacerle perder el control sobre la herramienta eléctrica.

SE 12-180:

Instrucciones de seguridad específicas para trabajos con hojas lijadoras

a) No use hojas lijadoras más grandes que el soporte, ateniéndose para ello a las dimensiones que el fabricante recomienda. Las hojas lijadoras de un diámetro mayor que el plato lijador pueden provocar un accidente, fisurarse, o provocar un rechazo.

PE 150:

Instrucciones de seguridad específicas para pulido

a) Evite partes sueltas en la caperuza para pulir, especialmente el cordón de sujeción. Recoja o corte los cabos del cordón de sujeción. Los cabos del cordón pueden engancharse con sus dedos o en la pieza de trabajo.

Conecte siempre la máquina a una red protegida por interruptor diferencial y magnetotérmico (FI, RCD, PRCD), para su seguridad personal, según normas establecidas para instalaciones eléctricas de baja tensión.

Nunca se debe intentar limpiar el polvo o viruta procedente del taladrado con la máquina en funcionamiento.

Enchufar la máquina a la red solamente en posición desconectada.

No manipular en el rodillo ni en las cuchillas con la máquina conectada.

Emplear siempre el asidero adicional.

Desconectar inmediatamente el aparato al presentarse vibraciones fuertes u otras anomalías. Examine la máquina para determinar las posibles causas.

Utilice y guarde siempre los discos de amolar según las indicaciones del fabricante.

Al amolar metales se proyectan chispas. Cuidar de no poner en peligro a personas. Debido al peligro de incendio no deben encontrarse cerca (en el área de alcance de las chispas) materiales inflamables. No utilice extracción de polvo en este caso.

Tenga cuidado para que no le salten chispas ni virutas de la pieza de trabajo.

La tuerca de apriete se debe asegurar antes de comenzar a trabajar con la máquina.

La pieza de trabajo debe fijarse adecuadamente, a no ser que se mantenga bien fija por su propio peso. Jamás aproxime una pieza al disco, sujetándola con la mano.

En caso de condiciones de funcionamiento extremas (p. ej. pulido de metales con el plato soporte y discos abrasivos de fibra vulcanizada) se puede acumular mucha suciedad en el interior de la amoladora angular. En estas condiciones es necesario realizar, por motivos de seguridad, una limpieza profunda de las acumulaciones metálicas en el interior y debe conectarse obligatoriamente un interruptor de protección de corriente diferencial (FI). Si salta el interruptor

24 ESPAÑOL

ESPAÑOL 25

de protección FI debe enviarse la máquina para su reparación.

En las herramientas que llevan una muela con agujero roscado, cerciéndose de que la rosca en la muela es lo suficientemente larga para aceptar la longitud del vástago.

APLICACIÓN DE ACUERDO A LA FINALIDAD

PE 150: La pulidora puede utilizarse para pulir lacados, barnices, plásticos y otras superficies

SE 12-180: La máquina está diseñada para lijar madera, plástico y metal.

No utilice este producto para ninguna otra aplicación que no sea su uso normal.

LIMITACIÓN DE LA CORRIENTE DE ARRANQUE + ARRANQUE SUAVE

La corriente de conexión de la máquina es igual a un múltiplo de la corriente nominal. Mediante la limitación de la corriente de arranque la corriente de conexión se reduce hasta tal punto que los fusibles (16 A, lentos) no llegan a actuar.

Arranque suave electrónico, para una segura manejabilidad, evita un brusco retroceso al conectar la máquina.

ELECTRÓNICA

La velocidad de rotación se ajusta electrónicamente cuando aumenta la carga.

En caso de un período más largo de sobrecarga, la velocidad disminuye electrónicamente. La máquina continúa funcionando a bajas revoluciones para enfriar el devanado del motor. Después de refrigerarse convenientemente, desconecte y conecte nuevamente. La máquina se puede usar a la carga nominal.

DECLARACION DE CONFORMIDAD CE

Declaramos bajo nuestra responsabilidad que el producto descrito bajo "Datos técnicos" está en conformidad con todas las normas relevantes de la directiva 2011/65/EU (RoHs), 2006/42/CE, 2004/108/CE y con las siguientes normas o documentos normalizados:

EN 60745-1:2009 + A1:2010
EN 60745-2-3:2011 + A2:2013
EN 55014-1:2006 + A1:2009 + A2:2011
EN 55014-2:1997 + A1:2001 + A2:2008
EN 61000-3-2:2006 + A1:2009+A2:2009
EN 61000-3-3:2008

Winnenden, 2013-01-28

Alexander Krug
Managing Director



Autorizado para la redacción de los documentos técnicos.

Techtronic Industries GmbH
Max-Eyth-Straße 10
71364 Winnenden
Germany

CONEXIÓN ELÉCTRICA

Conectar solamente a corriente AC monofásica y sólo al voltaje indicado en la placa de características. También es posible la conexión a enchufes sin toma a tierra, dado que es conforme a la Clase de Seguridad II

MANTENIMIENTO

Las ranuras de ventilación de la máquina deben estar despejadas en todo momento.

Solo se deben utilizar accesorios y piezas de repuestos AEG. Piezas cuyo recambio no está descrito en las instrucciones de uso, deben sustituirse en un centro de asistencia técnica AEG (Consulte el folleto Garantía/ Direcciones de Centros de Asistencia Técnica).

Puede solicitar, en caso necesario, una vista despiezada del aparato bajo indicación del tipo de máquina y el número de seis dígitos en la placa indicadora de potencia en su Servicio de Postventa o directamente en Techtronic Industries GmbH, Max-Eyth-Straße 10, 71364 Winnenden, Germany.

SÍMBOLOS



¡ATENCIÓN! ¡ADVERTENCIA! ¡PELIGRO!



Desconecte siempre el enchufe antes de llevar a cabo cualquier trabajo en la máquina.



Lea las instrucciones detenidamente antes de conectar la herramienta



Para trabajar con la máquina, utilizar siempre gafas de protección.



Usar guantes protectores



No aplique fuerza.



Accesorio - No incluido en el equipo estándar, disponible en la gama de accesorios.



¡No deseche los aparatos eléctricos junto con los residuos domésticos! De conformidad con la Directiva Europea 2002/96/CE sobre residuos de aparatos eléctricos y electrónicos y su aplicación de acuerdo con la legislación nacional, las herramientas eléctricas cuya vida útil haya llegado a su fin se deberán recoger por separado y trasladar a una planta de reciclaje que cumpla con las exigencias ecológicas.



Herramienta eléctrica de la clase de protección II.
Herramientas eléctricas, en las que la protección contra un choque eléctrico no depende solamente del aislamiento básico sino también de la aplicación de medidas adicionales de protección, como doble aislamiento o aislamiento reforzado. No existe dispositivo para la conexión de un conductor protector.



Marca CE

CARACTERÍSTICAS TÉCNICAS

	Polidora/Lixadora	PE 150	SE 12-180
Número de produção.....	4095 75 02...	4122 81 02...
.....	4325 00 02...000001-999999
Potência absorvida nominal.....	1200 W.....	1200 W.....
Potência de saída.....	600 W.....	600 W.....	600 W.....
Nº de rotações em vazio.....	900-2500 min ⁻¹	1800-4800 min ⁻¹
Máx. velocidade em vazio.....	4700 min ⁻¹	9000 min ⁻¹
Diâmetro do disco.....	150 mm.....	180 mm.....
Rosca do veio de trabalho.....	M 14.....	M 14.....
Peso nos termos do procedimento-EPTA 01/2003.....	2,1 kg.....	2,5 kg.....

Informações sobre ruído/vibração

Valores de medida de acordo com EN 60 745.

O nível de ruído avaliado A do aparelho é tipicamente:

Nível da pressão de ruído (K=3 dB(A)).....	82 dB(A).....	82 dB(A).....
Nível da potência de ruído (K=3 dB(A)).....	93 dB(A).....	93 dB(A).....

Use protectores auriculares!

Valores totais de vibração (soma dos vectores das três direcções) determinadas conforme EN 60745.

Polir: Valor de emissão da vibração a_h.....3 m/s².....- m/s²

Incerteza K =1,5 m/s².....- m/s²

Desbaste com disco de desbaste em plástico: Valor de emissão da vibração a_h.....3,3 m/s².....- m/s²

Incerteza K =1,5 m/s².....- m/s²

ATENÇÃO

O nível vibratório indicado nestas instruções foi medido em conformidade com um procedimento de medição normalizado na EN 60745 e pode ser utilizado para comparar entre si ferramentas eléctricas. O mesmo é também adequado para avaliar provisoriamente o esforço vibratório.

O nível vibratório indicado representa as principais aplicações da ferramenta eléctrica. Se, no entanto, a ferramenta eléctrica for utilizada para outras aplicações, com outras ferramentas adaptadas ou uma manutenção insuficiente, o nível vibratório poderá divergir. Isto pode aumentar consideravelmente o esforço vibratório ao longo de todo o período do trabalho.

Para uma avaliação exacta do esforço vibratório devem também ser considerados os tempos durante os quais o aparelho está desligado ou está a funcionar, mas não está efectivamente a ser utilizado. Isto pode reduzir consideravelmente o esforço vibratório ao longo de todo o período do trabalho.

Defina medidas de segurança suplementares para proteger o operador do efeito das vibrações, como por exemplo: manutenção da ferramenta eléctrica e das ferramentas adaptadas, manter as mãos quentes, organização das sequências de trabalho.

⚠ ATENÇÃO! Leia todas as instruções de segurança e todas as instruções, também aquelas que constam na brochura juntada. O desrespeito das advertências e instruções apresentadas abaixo pode causar choque eléctrico, incêndio e/ou graves lesões.
Guarde bem todas as advertências e instruções para futura referência.

INSTRUÇÕES DE SEGURANÇA POLIDORA/LIXADORA

Indicações de aviso gerais para lixar com lixa de papel e polir:

a) Esta ferramenta eléctrica pode ser utilizada como polir (só nos PE 150) e lixadeira com lixa de papel (só nos SE 12-180). Observar todas as indicações de aviso, instruções, apresentações e dados fornecidos com a ferramenta eléctrica. O desrespeito das seguintes instruções pode levar a um choque eléctrico, incêndio e/ou graves lesões.

b) Esta ferramenta eléctrica não é adequada para lixar com lixa de papel (só nos PE 150), para polir (só nos SE 12-180), rectificação de corte e desbaste e escovas de arame. Utilizações, para as quais a máquina não tenha sido prevista, podem causar perigos e ferimentos.

c) Não utilizar acessórios, que não foram especialmente previstos e recomendados pelo fabricante para serem utilizados com esta ferramenta eléctrica. O facto de poder fixar o acessório a esta ferramenta eléctrica, não garante uma aplicação segura.

d) O número de rotação admissível da ferramenta de trabalho deve ser no mínimo tão alto quanto o máximo número de rotação indicado na ferramenta eléctrica. Acessórios que girem mais rápido do que permitido, podem quebrar e serem atirados para longe.

e) O diâmetro exterior e a espessura da ferramenta de trabalho devem corresponder às indicações de medida da sua ferramenta eléctrica. Ferramentas de trabalho incorrectamente medidas podem não ser suficientemente blindadas nem controladas.

f) Discos abrasivos, flanges, pratos abrasivos ou outros acessórios devem caber exactamente no veio de rectificação da sua ferramenta eléctrica. Ferramentas de trabalho, que não cabem exactamente no veio de rectificação da ferramenta eléctrica, giram irregularmente, vibram fortemente e podem levar à perda de controlo.

g) Não utilizar ferramentas de trabalho danificadas. Antes de cada utilização deverá verificar se por exemplo os se pratos abrasivos apresentam fissuras, se há desgaste ou forte atrição. Se a ferramenta eléctrica ou a ferramenta de trabalho cair, deverá verificar se sofreram danos, ou trocar por uma ferramenta de trabalho intacta. Após ter controlado e introduzido a ferramenta de trabalho, deverá manter-se, e as pessoas que se encontrem nas proximidades, fora do nível de rotação da ferramenta de trabalho e permitir que a ferramenta eléctrica funcione durante um minuto com o máximo número de rotação. A maioria das ferramentas de trabalho danificadas quebram durante este período de teste.

h) Utilizar um equipamento de protecção pessoal. De acordo com a aplicação, deverá utilizar uma protecção para todo o rosto, protecção para os olhos ou um óculos protector. Se for necessário, deverá utilizar uma máscara contra pó, protecção auricular, luvas de protecção ou um avental especial, para proteger-se de pequenas partículas de amoladura e de material. Os olhos devem ser protegidos contra partículas a voar, produzidas durante as diversas aplicações. A máscara contra pó ou a máscara de respiração deve ser capaz de

filtrar o pó produzido durante a respectiva aplicação. Se for sujeito durante longo tempo a fortes ruídos, poderá sofrer a perda da capacidade auditiva.

j) Observe que as outras pessoas mantenham uma distância segura em relação ao seu local de trabalho. Cada pessoa que entrar na área de trabalho, deverá usar um equipamento de protecção pessoal. Estilhaços da peça a ser trabalhada ou ferramentas de trabalho quebradas podem voar e causar lesões fora da área imediata de trabalho.

j) Ao executar trabalhos durante os quais possam ser atingidos cabos eléctricos ou o próprio cabo de rede, deverá sempre segurar a ferramenta eléctrica pelas superfícies isoladas do punho. O contacto com um cabo sob tensão pode colocar peças de metal da ferramenta eléctrica sob tensão e levar a um choque eléctrico.

k) Manter o cabo de rede afastado de ferramentas de trabalho em rotação. Se perder o controlo sobre a ferramenta eléctrica, é possível que o cabo de rede seja cortado ou enganchado e a sua mão ou braço sejam puxados contra a ferramenta de trabalho em rotação.

l) Jamais depositar a ferramenta eléctrica, antes que a ferramenta de trabalho esteja completamente parada. A ferramenta de trabalho em rotação pode entrar em contacto com a superfície de apoio, provocando uma perda de controlo da ferramenta eléctrica.

m) Não permitir que a ferramenta eléctrica funcione enquanto estiver a transportá-la. A sua roupa pode ser agarrada devido a um contacto accidental com a ferramenta de trabalho em rotação, de modo que a ferramenta de trabalho possa ferir o seu corpo.

n) Limpar regularmente as aberturas de ventilação da sua ferramenta eléctrica. A ventoinha do motor puxa pó para dentro da carcaça, e uma grande quantidade de pó de metal pode causar perigos eléctricos.

o) Não utilizar a ferramenta eléctrica perto de materiais inflamáveis. Faíscas podem incendiar estes materiais.

p) Não utilizar ferramentas de trabalho que necessitem agentes de refrigeração líquidos. A utilização de água ou de outros agentes de refrigeração líquidos pode provocar um choque eléctrico.

Contra-golpe e respectivas advertências

Contra-golpe é uma repentina reacção devido a uma ferramenta de trabalho travada ou bloqueada, como por exemplo um disco abrasivo, um prato abrasivo, uma escova de arame etc. Um travamento ou um bloqueio levam a uma parada abrupta da ferramenta de trabalho em rotação. Desta maneira, uma ferramenta eléctrica descontrolada pode ser acelerada no local de bloqueio, sendo forçada no sentido contrário da rotação da ferramenta de trabalho. Se por exemplo um disco abrasivo travar ou bloquear numa peça a ser trabalhada, o canto do disco abrasivo pode mergulhar na peça a ser trabalhada e encravar-se, quebrando o disco abrasivo ou causando um contra-golpe. O disco abrasivo se movimenta então no sentido do operador ou para longe deste, dependendo do sentido de rotação do disco no local do bloqueio. Um contra-golpe é a consequência de uma utilização incorrecta ou indevida da ferramenta eléctrica. Ele pode ser evitado por apropriadas medidas de precaução como descrito a seguir.

a) Segurar firmemente a ferramenta eléctrica e posicionar o seu corpo e os braços de modo que possa resistir às forças de um contra-golpe. Sempre utilizar o punho adicional, se existente, para assegurar o máximo controlo possível sobre as forças de um contra-golpe ou sobre momentos de reacção durante o arranque. O operador pode controlar as forças de contra-golpe e as forças de reacção através de medidas de precaução apropriadas.

b) Jamais permita que as suas mãos se encontrem perto de ferramentas de trabalho em rotação. No caso

de um contra-golpe a ferramenta de trabalho poderá passar pela sua mão.

c) Evite que o seu corpo se encontre na área, na qual a ferramenta eléctrica possa ser movimentada no caso de um contra-golpe. O contra-golpe força a ferramenta eléctrica no sentido contrário ao movimento do disco abrasivo no local do bloqueio.

d) Trabalhar com especial cuidado na área ao redor de esquinas, cantos afiados etc. Evite que ferramentas de trabalho sejam ricocheteadas e travadas pela peça a ser trabalhada. A ferramenta de trabalho em rotação tende a travar em esquinas, em cantos afiados ou se for ricocheteada. Isto causa uma perda de controlo ou um contra-golpe.

e) Não utilizar lâminas de serra de correias nem dentadas. Estas ferramentas de trabalho causam frequentemente um contra-golpe ou a perda de controlo sobre a ferramenta eléctrica.

SE 12-180:
Advertências especiais de segurança específicas para lixar com lixa de papel

a) Não utilizar lixas de papel demasiado grandes, mas sempre seguir as indicações do fabricante sobre o tamanho correcto das lixas de papel. Lixas de papel, que sobressaem dos cantos do prato abrasivo, podem causar lesões, assim como bloquear e rasgar as lixas de papel ou levar a um contra-golpe.

PE 150:
Indicações especiais de aviso para polir

a) Não permitir que hajam partes soltas da boina de polimento, principalmente cordões de fixação. Os cordões de fixação devem ser bem arrumados ou cortados. Cordões de fixação soltos e em rotação podem agarrar os seus dedos ou prender-se na peça a ser trabalhada.

Aparelhos não estacionários, utilizados ao ar livre, devem ser protegidos por um disjuntor de corrente de defeito (FI, RCD, PRCD).

Não remover aparas ou lascas enquanto a máquina trabalha.

Ao ligar à rede, a máquina deve estar desligada.

Não introduza as mãos na área perigosa, estando a máquina em funcionamento.

Utilizar sempre o punho lateral.

Desligar imediatamente o aparelho, se ocorrerem grandes oscilações ou se forem observadas outras avarias.

Controlar a máquina para determinar a causa.

Sempre utilizar e guardar os discos abrasivos, de acordo com as indicações do fabricante.

Ao lixar metais, voam faíscas. Observe que ninguém seja posto em perigo. Devido ao perigo de incêndio não devem encontrar-se materiais inflamáveis nas proximidades (área de voo de faíscas). Não utilize sistema de extracção de poeiras.

Tome atenção que nem as faíscas nem as poeiras da lixagem geradas na peça de trabalho devem entrar em contacto consigo.

A porca de ajuste deve ser apertada antes de iniciar o trabalho com a máquina.

A peça a ser trabalhada deve ser fixa, caso não esteja firme devido ao seu peso próprio. Jamais conduzir a peça a ser trabalhada em direcção do disco com as mãos.

Em caso de condições extremas de utilização (por ex., ao polir metais com o prato de apoio e rebolos de fibra vulcanizada) pode formar-se uma forte sujidade no interior da lixadora de detalhes. Por motivos de segurança, quando

tais condições de utilização se verificarem, é necessário limpar o interior de deposições metálicas e ligar em série um disjuntor de corrente de falha (FI). Depois da reacção do disjuntor-FI, a máquina tem de ser enviada para reparação.

Para as ferramentas a serem montadas com a roda de orifício roscado, certifique-se de que a rosca na roda é suficientemente longa para receber o fuso em todo o seu comprimento.

Para trabalhos de corte deve utilizar-se uma cobertura de protecção fechada, disponível no programa de acessórios.

UTILIZAÇÃO AUTORIZADA

PE 150: A polidora pode ser usada para polir pinturas, revestimentos, plásticos e outras superfícies lisas.

SE 12-180: A máquina pode ser usada para lixar madeira, plásticos ou metal.

Não use este produto de outra maneira sem ser a normal para o qual foi concebido.

LIMITAÇÃO DA CORRENTE DE ARRANQUE + ARRANQUE SUAVE

A corrente de arranque da máquina é um múltiplo da corrente nominal. A limitação de corrente de arranque reduz a corrente de arranque a um valor tal que não faz actuar o fusível (16 A lento).

Arranque suave electrónico para manejo seguro; evita o arranque brusco da máquina ao ligá-la.

ELECTRÓNICA

A electrónica regula o número de rotações no caso de carga ascendente.

A electrónica comuta para um número de rotações reduzido no caso de uma sobrecarga prolongada. A máquina continua a funcionar lentamente para arrefecer o enrolamento do motor. Após ligar e desligar, é possível continuar a trabalhar com a máquina no nível de carga nominal.

DECLARAÇÃO DE CONFORMIDADE CE

Declaramos sob responsabilidade exclusiva, que o produto descrito sob "Dados técnicos" corresponde com todas as disposições relevantes da directiva 2011/65/EU (RoHS), 2006/42/CE, 2004/108/CE e dos seguintes documentos normativos harmonizados.

EN 60745-1:2009 + A11:2010

EN 60745-2-3:2011 + A2:2013

EN 55014-1:2006 + A1:2009 + A2:2011

EN 55014-2:1997 + A1:2001 + A2:2008

EN 61000-3-2:2006 + A1:2009+A2:2009

EN 61000-3-3:2008

Winnenden, 2013-01-28



Alexander Krug
Managing Director



Autorizado a reunir a documentação técnica.

Techtronic Industries GmbH
Max-Eyth-Straße 10
71364 Winnenden
Germany

LIGAÇÃO À REDE

Só conectar à corrente alternada monofásica e só à tensão de rede indicada na placa de potência. A conexão às tomadas de rede sem contacto de segurana também é possível, pois trata-se duma construção da classe de protecção II.

MANUTENÇÃO

Através dos rasgos de ventilação podem soprar-se com ar comprimido os depósitos de poeira no motor.

Utilizar unicamente acessórios e peças sobresselentes da AEG. Sempre que a substituição de um componente não tenha sido descrita nas instruções, será de toda a conveniência mandar executar esse trabalho a um Serviço de Assistência AEG (veja o folheto Garantia/Endereços de Serviços de Assistência).

Se for necessário, um desenho de explosão do aparelho pode ser solicitado do seu posto de assistência ao cliente ou directamente da Techtronic Industries GmbH, Max-Eyth-Straße 10, 71364 Winnenden, Alemanha, indicando o tipo da máquina e o número de seis posições na chapa indicadora da potência.

SYMBOLS



ATENÇÃO! PERIGO!



Antes de efectuar qualquer intervenção na máquina, tirar a ficha da tomada.



Leia atentamente o manual de instruções de colocar a máquina em funcionamento.



Usar sempre óculos de protecção ao trabalhar com a máquina.



Use luvas de protecção!



Não aplique força.



Acessório - Não incluído no equipamento normal, disponível como acessório.



Não deite ferramentas eléctricas no lixo doméstico! De acordo com a directiva europeia 2002/96/CE sobre ferramentas eléctricas e electrónicas usadas e a transposição para as leis nacionais, as ferramentas eléctricas usadas devem ser recolhidas em separado e encaminhadas a uma instalação de reciclagem dos materiais ecológica.



Ferramenta eléctrica da classe de protecção II.
Ferramenta eléctrica, na qual a protecção contra choque eléctrico não só depende do isolamento básico, mas também da aplicação de medidas de protecção suplementares, como isolamento duplo ou reforçado. Não há um dispositivo para a conexão dum condutor de protecção.



Marca CE

TECHNISCHE GEGEVENS	Polijstmachine/Schuurmachine	PE 150	SE 12-180
Productienummer	4095 75 02... ..	4122 81 02... ..	4325 00 02... ..
.....000001-999999000001-999999
Nominaal afgegeven vermogen.....	1200 W	1200 W	1200 W
Afgegeven vermogen	600 W	600 W	600 W
Onbelast toerental	900-2500 min ⁻¹	1800-4800 min ⁻¹	1800-4800 min ⁻¹
Min. Onbelast toerental	4325 00 02... ..	4700 min ⁻¹	9000 min ⁻¹
Slijpschijf-Ø	150 mm	180 mm	180 mm
Asaansluiting	M 14	M 14	M 14
Gewicht volgens de EPTA-procedure 01/2003.....	2,1 kg.....	2,5 kg	2,5 kg

Geluids-/trillingsinformatie

Meetwaarden vastgesteld volgens EN 60 745.
Het kenmerkende A-gewogen geluidsniveau van de machine bedraagt:

Geluidsdruk niveau (K = 3 dB(A))	82 dB(A)	82 dB(A)
Geluidsvermogen niveau (K = 3 dB(A))	93 dB(A)	93 dB(A)

Draag oorbeschermers!

Totale trillingswaarden (vectorsom van drie richtingen) bepaald volgens EN 60745.

Polijsten: trillingsemissiewaarde a _w	3 m/s ²	- m/s ²
Onzekerheid K =	1,5 m/s ²	- m/s ²
Slijpen met kunststof slijpschijf: trillingsemissiewaarde a _w	- m/s ²	3,3 m/s ²
Onzekerheid K =	- m/s ²	1,5 m/s ²

WAARSCHUWING

De in deze aanwijzingen vermelde trillingsdruk is gemeten volgens een in EN 60745 genormeerde meetmethode en kan worden gebruikt voor de onderlinge vergelijking van apparaten. Hij is ook geschikt voor een voorlopige inschatting van de trillingsbelasting.

De aangegeven trillingsdruk geldt voor de meest gebruikelijke toepassingen van het elektrische apparaat. Wanneer het elektrische gereedschap echter voor andere doeleinden, met andere dan de voorgeschreven hulpstukken gebruikt of niet naar behoren onderhouden wordt, kan de trillingsdruk afwijken. Dit kan de waarde van de trillingsdruk over de hele werkperiode aanzienlijk verhogen.

Voor een nauwkeurige inschatting van de trillingsdruk moeten ook de tijden in aanmerking worden genomen dat het apparaat uitgeschakeld is of weliswaar loopt, maar niet werkelijk in gebruik is. Dit kan de waarde van de trillingsdruk over de hele werkperiode aanzienlijk verminderen.

Bepaal extra veiligheidsmaatregelen ter bescherming van de bediener tegen de inwerking van trillingen, bijvoorbeeld: onderhoud van elektrische gereedschappen en apparaten, warmhouden van de handen, organisatie van de werkprocessen.

⚠ WAARSCHUWING! Lees alle veiligheidsinstructies en aanwijzingen door - ook die in de bijgeleverde brochure. Als de waarschuwingen en voorschriften niet worden opgevolgd, kan dit een elektrische schok, brand of ernstig letsel tot gevolg hebben.
Bewaar alle waarschuwingen en voorschriften voor toekomstig gebruik.

VEILIGHEIDSAADVIEZEN POLIJSTMACHINE/ SCHUURMACHINE

Algemene waarschuwingen voor schuren en polijsten:

a) Dit elektrische gereedschap is bestemd voor gebruik als polijstmachine (alleen bij de PE 150) en schuurmachine (alleen bij de SE 12-180). Neem alle waarschuwingen, aanwijzingen, afbeeldingen en gegevens die u bij het elektrische gereedschap ontvangt in acht. Als u de volgende aanwijzingen niet in acht neemt, kunnen een elektrische schok, brand en/of ernstig letsel het gevolg zijn.

b) Dit elektrische gereedschap is niet geschikt voor het schuren met schuurpapier (alleen bij de PE 150), voor het polijsten (alleen bij de SE 12-180), doorslijpen en voorbewerken en werkzaamheden met draadborstels. Ondoelmatig gebruik van dit elektrische gereedschap kan leiden tot gevaren en persoonlijk letsel.

c) Gebruik uitsluitend toebehoren dat door de fabrikant speciaal voor dit elektrische gereedschap is voorzien en geadviseerd. Het feit dat u het toebehoren aan het elektrische gereedschap kunt bevestigen, waarborgt nog geen veilig gebruik.

d) Het toegestane toerental van het inzetgereedschap moet minstens even hoog zijn als het maximale toerental dat op het elektrische gereedschap vermeld

staat. Toebehoren dat sneller draait dan toegestaan, kan breken en wegvliegen.

e) De buitendiameter en de dikte van het inzetgereedschap moeten overeenkomen met de maatgegevens van het elektrische gereedschap. Inzetgereedschappen met onjuiste afmetingen kunnen niet voldoende afgeschermd of gecontroleerd worden.

f) Slijpschijven, flenzen, steunschijven en ander toebehoren moeten nauwkeurig op de uitgaande as van het elektrische gereedschap passen. Inzetgereedschappen die niet nauwkeurig op de uitgaande as van het elektrische gereedschap passen, draaien ongelijkmatig, trillen sterk en kunnen tot het verlies van de controle leiden.

g) Gebruik geen beschadigde inzetgereedschappen. Controleer voor het gebruik altijd inzetgereedschappen zoals steunschijven op scheuren of sterke slijtage. Als het elektrische gereedschap of het inzetgereedschap valt, dient u te controleren of het beschadigd is, of gebruik een onbeschadigd inzetgereedschap. Als u het inzetgereedschap hebt gecontroleerd en ingezet, laat u het elektrische gereedschap een minuut lang met het maximale toerental lopen. Daarbij dient u en dienen andere personen uit de buurt van het ronddraaiende inzetgereedschap te blijven. Beschadigde inzetgereedschappen breken meestal gedurende deze testtijd.

h) Draag persoonlijke beschermende uitrusting. Gebruik afhankelijk van de toepassing een volledige gezichtsbescherming, oogbescherming of veiligheidsbril. Draag voor zover van toepassing een stofmasker, een gehoorbescherming, werkhandschoenen of een speciaal schort dat kleine slijp- en materiaaldeeltjes tegenhoudt. Uw ogen moeten worden beschermd tegen wegvliegende deeltjes die bij

verschillende toepassingen ontstaan. Een stof- of adembeschermingsmasker moet bij de toepassing ontstaande stof filteren. Als u lang wordt blootgesteld aan loud lawaai, kan uw gehoor worden beschadigd.

i) Let erop dat andere personen zich op een veilige afstand bevinden van de plaats waar u werkt. Iedereen die de werkomgeving betreedt, moet persoonlijke beschermende uitrusting dragen. Brokstukken van het werkstuk of gebroken inzetgereedschappen kunnen wegvliegen en verwondingen veroorzaken, ook buiten de directe werkomgeving.

j) Houd het elektrische gereedschap alleen vast aan de geïsoleerde greepvlakken als u werkzaamheden uitvoert waarbij het inzetgereedschap verborgen stroomleidingen of de eigen netkabel kan raken. Contact met een onder spanning staande leiding zet ook de metalen delen van het elektrische gereedschap onder spanning en leidt tot een elektrische schok.

k) Houd de stroomkabel uit de buurt van draaiende inzetgereedschappen. Als u de controle over het elektrische gereedschap verliest, kan de stroomkabel worden doorgesneden of meegenomen en uw hand of arm kan in het ronddraaiende inzetgereedschap terecht komen.

l) Leg het elektrische gereedschap nooit neer voordat het inzetgereedschap volledig tot stilstand is gekomen. Het draaiende inzetgereedschap kan in contact komen met het oppervlak, waardoor u de controle over het elektrische gereedschap kunt verliezen.

m) Laat het elektrische gereedschap niet lopen terwijl u het draagt. Uw kleding kan door toevallig contact met het draaiende inzetgereedschap worden meegenomen en het inzetgereedschap kan zich in uw lichaam boren.

n) Reinig regelmatig de ventilatieopeningen van het elektrische gereedschap. De motorventilator trekt stof in het huis en een sterke ophoping van metaalstof kan elektrische gevaren veroorzaken.

o) Gebruik het elektrische gereedschap niet in de buurt van brandbare materialen. Vonken kunnen deze materialen ontsteken.

p) Gebruik geen inzetgereedschappen waarvoor vloeibare koelmiddelen vereist zijn. Het gebruik van water of andere vloeibare koelmiddelen kan tot een elektrische schok leiden.

Terugslag en bijbehorende waarschuwingen

Terugslag is de plotselinge reactie als gevolg van een vasthakend of geblokkeerd draaiend inzetgereedschap, zoals een slijpschijf, steunschijf, draadborstel, enz. Vasthaken of blokkeren leidt tot abrupte stilstand van het ronddraaiende inzetgereedschap. Daardoor wordt een ongecontroleerd elektrisch gereedschap tegen de draairichting van het inzetgereedschap vernield op de plaats van de blokkering.

Als bijvoorbeeld een slijpschijf in het werkstuk vasthaakt of blokkeert, kan de rand van de slijpschijf die in het werkstuk invalt, zich vastgrijpen. Daardoor kan de slijpschijf uitbreken of een terugslag veroorzaken. De slijpschijf beweegt zich vervolgens naar de bediener toe of van de bediener weg, afhankelijk van de draairichting van de schijf op de plaats van de blokkering.

Een terugslag is het gevolg van het verkeerd gebruik of onjuiste gebruiksomstandigheden van het elektrische gereedschap. Terugslag kan worden voorkomen door geschikte voorzorgsmaatregelen, zoals hieronder beschreven.

a) Houd het elektrische gereedschap goed vast en breng uw lichaam en uw armen in een positie waarin u de terugslagkrachten kunt opvangen. Gebruik altijd de extra handgreep, indien aanwezig, om de grootst mogelijke controle te hebben over terugslagkrachten of reactiemomenten bij het voorzorgsmaatregelen de terugslag- en reactiekrachten beheersen.

b) Breng uw hand nooit in de buurt van draaiende inzetgereedschappen. Het inzetgereedschap kan bij de terugslag over uw hand bewegen.

c) Mijd met uw lichaam het gebied waarheen het elektrische gereedschap bij een terugslag wordt bewogen. De terugslag drijft het elektrische gereedschap in de richting die tegengesteld is aan de beweging van de slijpschijf op de plaats van de blokkering.

d) Werk bijzonder voorzichtig in de buurt van hoeken, scherpe randen, enz. Voorkom dat inzetgereedschappen van het werkstuk terugspringen en vastklemmen. Het ronddraaiende inzetgereedschap neigt er bij hoeken, scherpe randen of wanneer het terugspringt toe om zich vast te klemmen. Dit veroorzaakt een controleverlies of terugslag.

e) Gebruik geen kettingblad of getand zaagblad. Zulke inzetgereedschappen veroorzaken vaak een terugslag of het verlies van de controle over het elektrische gereedschap.

SE 12-180: Bijzondere waarschuwingen voor schuurwerkzaamheden

a) Gebruik geen schuurbladen met te grote afmetingen, maar houd u aan de voorschriften van de fabrikant voor de maten van schuurbladen. Schuurbladen die over de rand van de steunschijf uitsteken, kunnen verwondingen veroorzaken en kunnen tot blokkeren, scheuren van de schuurbladen of terugslag leiden.

PE 150: Bijzondere waarschuwingen voor polijstwerkzaamheden

a) De polijstkap mag geen losse delen hebben, in het bijzonder geen losse bevestigingsnoren. Maak de bevestigingsnoren vast of kort ze in. Losse, meedraaiende bevestigingsnoren kunnen uw vingers meenemen of in het werkstuk vasthaken.

Verplaatsbaar gereedschap moet bij het gebruik buiten aan een aardlekschakelaar (FI,RCD,PRCD) aangesloten worden.

Spanen of splinters mogen bij draaiende machine niet worden verwijderd.

Machine alleen uitgeschakeld aan het net aansluiten.

Niet aan de draaiende delen komen.

Altijd de zijhandgreep gebruiken.

Machine onmiddellijk controleren als sterke trillingen optreden of andere gebreken worden vastgesteld. Controleer de machine om de oorzaak vast te stellen.

Slijpschijven altijd volgens de voorschriften van de fabrikant gebruiken en bewaren.

Bij het schuren van metalen ontstaan vonken. Er op letten dat er geen personen in gevaar worden gebracht. In verband met het brandgevaar mogen zich geen brandbare materialen in de buurt (gebied waar de vonken vallen) bevinden. Geen stofafzuiging gebruiken

Machine altijd zo vasthouden dat vonken of slijpstof van het lichaam zijn af gericht.

De flensmorf moet vóór de ingebruikname van de machine aangetrokken zijn.

Het te bewerken werkstuk moet vast worden ingespannen als het niet door het eigen gewicht stabiel ligt. Nooit het werkstuk met de hand tegen de schijf houden.

Bij extreme gebruiksvoorwaarden (bijv. gladslippen van metaal met de steun en de vulkaanfiber-slijpschijven) kan in het inwendige van de haakse slijper ernstige verontreiniging ontstaan. Bij dergelijke werkzaamheden is om veiligheidsredenen een grondige reiniging van de

CE-SAMSVARERKLÆRING

Vi erklærer i alene ansvar at produktet beskrevet i „Teknisk data“ overensstemmer med alle relevante forskrifter til Eu direktiv 2011/65/EU (RoHS), 2006/42/EF, 2004/108/EF og de følgende harmoniserte normative dokumentene.

EN 60745-1:2009 + A11:2010
EN 60745-2-3:2011 + A2:2013
EN 55014-1:2006 + A1:2009 + A2:2011
EN 55014-2:1997 + A1:2001 + A2:2008
EN 61000-3-2:2006 + A1:2009+A2:2009
EN 61000-3-3:2008

Winnenden, 2013-01-28



Alexander Krug
Managing Director



Autorisert til å utarbeide den tekniske dokumentasjonen

Techtronic Industries GmbH
Max-Eyth-Straße 10
71364 Winnenden
Germany

NETTILKOPLING

Skal bare tilsluttes enfasevekselstrøm og bare til den på skiltet angitte nettspenning. Tilslutning til stikkontakter uten jordet kontakt er mulig fordi beskyttelse beskyttelsesklasse II er forhanden.

VEDLIKEHOLD

Hold alltid luftenåpningene på maskinen rene.

Bruk kun AEG tilbehør og reservedeler. Komponenter der utskifting ikke er beskrevet skal skiftes ut hos AEG kundeservice (se brosjyre garanti/kundeserviceadresser).

Ved behov kan det fås en eksplosjonstegning av apparatet hos kundeservice eller direkte hos Techtronic Industries GmbH, Max-Eyth-Straße 10, 71364 Winnenden, Germany ved angivelse av maskinens type og det sekstallige nummeret på maskinens skilt.

SYMBOLER



OBS! ADVARSEL! FARE!



Trekk støpslet ut av stikkontakten før du begynner arbeidet på maskinen.



Les nøye gjennom bruksanvisningen før maskinen tas i bruk.



Bruk alltid vernebrille når du arbeider med maskinen.



Bruk vernehansker !



Ikke bruk kraft.



Tilbehør - inngår ikke i leveransen, anbefalt komplettering fra tilbehørsprogrammet.



Kast aldri elektroverktøy i husholdningsavfallet! I henhold til EU-direktiv 2002/96/EF om kasserte elektriske og elektroniske produkter og direktivets iverksetting i nasjonal rett, må elektroverktøy som ikke lenger skal brukes, samles separat og returneres til et miljøvennlig gjenvinningsanlegg.



Elektroverktøy av verneklasse II. Elektroverktøy hvor beskyttelse mot elektrisk slag ikke bare er avhengig av basisisoleringen, men som også er avhengig av at tilleggs vernetiltak som dobbelt eller forsterket isolering blir brukt. Det finnes ingen innretning for tilkobling av en beskyttelsesleder.



CE-tegn

TEKNISKA DATA

Polermaskin/Slipmaskin	PE 150	SE 12-180
Produktionsnummer	4095 75 02... ..	4122 81 02... ..
.....	4325 00 02...000001-999999
.....000001-999999
Nominell opptagen effekt	1200 W	1200 W
Uteffekt	600 W	600 W
Obelastet varvtal	900-2500 min ⁻¹	1800-4800 min ⁻¹
Max. Tomgangsvarvtal, obelastet	4700 min ⁻¹	9000 min ⁻¹
Slipskivor-Ø	150 mm	180 mm
Spindelgånga	M 14	M 14
Vikt enligt EPTA 01/2003	2,1 kg	2,5 kg

Buller-vibrasjonsinformasjon

Måtværdene har tagits fram baserande på EN 60 745.

A-værdet av maskinens ljudnivå utgør:

Ljudtrycksnivå (K = 3 dB(A))	82 dB(A)	82 dB(A)
Ljudeffektsnivå (K = 3 dB(A))	93 dB(A)	93 dB(A)

Anvånd hørselskydd!

Totala vibrationsvärden (vektorsumma ur tre riktningar) framtaget enligt EN 60745.

Polering: svängningsemissionsvärde a_h

Onoggrannhet K =

Slipning med plastslipfallrik: svängningsemissionsvärde a_h

Onoggrannhet K =

VARNING

Den i de här anvisningarna angivna vibrationsnivån har uppmåtts enligt ett i EN 60745 normerat mätförfarande och kan användas vid jämförelse mellan olika elverktyg. Nivån är även lämplig att använda vid en preliminär bedömning av vibrationsbelastningen.

Den angivna vibrationsnivån representerar den huvudsakliga användningen av det aktuella elverktøyet. Men om elverktøyet ska användas i andra användningsområden, tillsammans med avvikende insatsverktøy eller efter utilrækkelig underhåll, kan vibrationsnivån skilja sig. Det kan øka vibrationsbelastningen betydeligt under hela arbeidstiden.

Før ått få en exaktare bedømning av vibrationsbelastningen ska även den tid beaktas, under vilken elverktøyet är avstångt eller är påslaget, utan ått det verkligen används. Det kan reducera vibrationsbelastningen betydeligt under hela arbeidstiden.

Lågg som skydd för användaren fast extra säkerhetsåtgårder mot vibrationernas verkan, som till exempel: underhåll av elverktøy och insatsverktøy, varmhållning av hånder och organisering av arbeidsfårløpp.

⚠ WARNING! Lås alla säkerhetsanvisningar och andra tillhörande anvisningar, även de i den medföljande broschyren. Fel som uppstår till följd av att anvisningarna nedan inte följs kan orsaka elstöt, brand och/eller allvarliga kroppsskador.

Förvara alla varningar och anvisningar för framtida bruk.

SÄKERHETSUTRUSTNING POLERMASKIN/SLIPMASKIN

Gemensamma säkerhetsanvisningar för sandpappersslipning och polering:

a) Elverktøyet kan användas som poleringsmaskin (endast PE 150) och slippappersslipmaskin (endast SE 12-180). Beakta alla säkerhetsanvisningar, anvisningar, illustrationer och data som levereras med elverktøyet. Om nedanstående anvisningar ignoreras finns risk för ått elstöt, brand och/eller allvarliga personskador uppstår.

b) Den här maskinen är inte avsedd för slipning med sandpapper (endast PE 150), polering (endast SE 12-180), kapping og slipning og arbeften med trådborste. Tillämpningar som maskinen inte är avsedd för kan förorsaka faror og personskador.

c) Använd inte tillbehør som tillverkaren inte uttryckligen godkånt og rekommenderat för detta elverktøy. Åven om tillbehør kan fåstas på elverktøyet finns det ingen garanti för en säker användning.

d) Insatsverktøyet tillåtna varvtal måste åttminstone motsvara det på elverktøyet angivna högsta varvtalet. Tillbehør med en høyre rotationshastighet kan brista og slungas ut.

e) Insatsverktøyet yttre diameter og tjocklek måste motsvara elverktøyet dimensioner. Feldimensionerade

insatsverktøy kan inte på betryggande såt avskårmas og kontrolleras.

f) Slipskivor, flånsar, sliprondeller og annat tillbehør måste passa exakt på elverktøyet slippindel. Insatsverktøy som inte exakt passer till elverktøyet slippindel roterer øjåmnt, vibrerer kraftigt og kan leda till ått du fårlorar kontrollen øver verktøyet.

g) Anvånd aldrig skadade insatsverktøy. Kontrollera fåre varje anvåndning insatsverktøyet som t. ex. sliprondeller avseende sprickor repor eller kraftigt nedslitning. Om elverktøyet eller insatsverktøyet skulle falla ned kontrollera om skada uppstått eller montera ett oskadat insatsverktøy. Du og andra personer i nærheten ska efter kontroll og montering av insatsverktøy stålla er utanför insatsverktøyet rotationsradie og sedan låta elverktøyet rotera en minut med högsta varvtal. Skadade insatsverktøy går i de flesta fall sånder vid denna provkårnning.

h) Anvånd personlig skyddsutrustning. Anvånd alltefter avsett arbete ansiktsskårm, øgonskydd eller skyddsglasøgon. Om så behøvs, anvånd dammfiltermask, hørselskydd, skyddshånskar eller skyddsfårklåde som skyddar mot små utslungade slip- og materialpartiklar. Øgonen ska skyddas mot utslungade fråmmande partiklar som kan uppstå under arbeften. Damm- og andningsskydd måste kunna filtrera bort det damm som eventuelt uppstår under arbeften. Risk finns för hørselskada under en långre tids kraftigt buller.

i) Se till ått øbehørige personer hålls på betryggande avstånd från arbeidsområdet. Alla som rår sign inom arbeidsområdet måste anvånd personlig skyddsutrustning. Brotstycken från arbeidstycket eller insatsverktøyet kan slungas ut og orsaka personskada åven utanför arbeidsområdet.

j) Håll fast elverktyget endast vid de isolerade handtagen när arbeten utförs på ställen där insatsverktyget kan skada dolda elledningar eller egen nätsladd. Om elverktyget kommer i kontakt med en spänningsförande ledning sätts elverktygets metalldelar under spänning som sedan leder till elstöt.

k) Håll nätsladden på avstånd från roterande insatsverktyg. Om du förlorar kontrollen över elverktyget kan nätsladden kapas eller dras in varvid risk finns för att din hand eller arm dras mot det roterande insatsverktyget.

l) Lägg aldrig bort elverktyget innan insatsverktyget stannat fullständigt. Det roterande insatsverktyget kan komma i beröring med underlaget varvid risk finns för att du förlorar kontrollen över verktyget.

m) Elverktyget får inte rotera när det bärs. Kläder kan vid tillfällig kontakt med det roterande insatsverktyget dras in varvid insatsverktyget dras mot din kropp.

n) Rengör regelbundet elverktygets ventilationsöppningar. Motorfläkten drar in damm i huset och en kraftig anhopning av metalldam kan orsaka farliga elströmmar.

o) Använd inte elverktyget i närheten av brännbara material. Risk finns för att gnistor antänder materialet.

p) Använd inte insatsverktyg som kräver flytande kylmedel. Vatten eller andra kylvätskor kan medföra elstöt.

Varning för bakslag

Ett bakslag är en plötslig reaktion hos insatsverktyget när t. ex. slipskivan, sliprondellen, stålborsten hakar upp sig eller blockerar. Detta leder till abrupt uppbromsning av det roterande insatsverktyget. Härvid accelererar ett okontrollerat elverktyg mot insatsverktygets rotationsriktning vid inklämningssättet.

Om t. ex. en slipskiva hakar upp sig eller blockerar i arbetsstycket kan slipskivans kant i arbetsstycket klämmas fast varvid slipskivan bryts sönder eller orsakar bakslag. Slipskivan rör sig nu mot eller bort från användaren beroende på skivans rotationsriktning vid inklämningssättet. Bakslag uppstår till följd av missbruk eller felaktig hantering av elverktyget. Detta kan undvikas genom skyddsåtgärder som beskrivs nedan.

a) Håll stadigt i elverktyget samt kroppen och armarna i ett läge som är lämpligt för att motstå bakslagskrafter. Använd alltid stödhandtaget för bästa möjliga kontroll av bakslagskrafter och reaktionsmoment vid start. Användaren kan genom lämpliga försiktighetsåtgärder bättre behärska bakslags- och reaktionskrafterna.

b) Håll alltid handen på betryggande avstånd från det roterande insatsverktyget. Insatsverktyget kan vid ett bakslag gå mot din hand.

c) Undvik att hålla kroppen inom det område elverktyget vid ett bakslag rör sig. Bakslaget kommer att driva elverktyget i motsatt riktning till slipskivans rörelse vid inklämningssättet.

d) Var särskilt försiktig vid bearbetning av hörn, skarpa kanter osv. Håll emot så att insatsverktyget inte studsar ut från arbetsstycket eller kommer i kläm. På hörn, skarpa kanter eller vid studsning tenderar det roterande insatsverktyget att komma i kläm. Detta kan leda till att kontrollen förloras eller att bakslag uppstår.

e) Använd aldrig kedje- eller tandade sägklingar. Dessa insatsverktyg orsakar ofta ett bakslag eller förlust av kontrollen över elverktyget.

SE 12-180:
Speciella säkerhetsanvisningar för sandpappersslipning

a) Använd inte för stora slippapper, se tillverkarens uppgifter om slippapperets storlek. Slippapper som står ut över sliprondellen kan leda till personskada, blockera, rivas sönder eller också orsaka bakslag.

PE 150:
Speciella säkerhetsanvisningar för polering
a) Se till att inga lösa delar finns på polerhättan t.ex. fastspänningsband. Kläm in eller kapa fastspänningsbanden. Lösa roterande fastspänningsband kan gripa tag i fingren eller dras in i arbetsstycket.

Anslut alltid verktyget till via en felströmbrytare (FI, RCD, PRCD) vid användning utomhus.

Avlägsna aldrig spån eller flisor när maskinen är igång. Maskinen skall vara fränkopplad innan den anslutes till väggurtag.

Laktag största försiktighet när maskinen är igång.

Använd alltid stödhandtag.

Fränkoppla maskinen omedelbart om kraftiga vibrationer uppstår eller andra felfunktioner registreras. Kontrollera maskinen för lokalisering av orsak.

Använd och uppbevara alltid slipskivorna enligt tillverkarens anvisningar.

Vid slipning av metall uppstår gnistor. Se till att personer inte skadas. Pga brandrisken får inga brännbara material finnas i närheten (inom gnistområdet). Använd inte dammsugning!

Håll alltid maskinen så, att gnistor och slipdamm flyger i riktning från kroppen.

Fläsmuttern skall vara åtdragen innan start av maskinen.

Spänn fast arbetsstycket om det inte ligger stadigt till följd av egen vikt. För aldrig arbetsstycket för hand mot slipskivan.

Vid extrema användningsvillkor (till exempel vid planslipning av metaller med stödtallrik och slipskivor av vulkanfiber) kan det bildas mycket smuts på insidan av vinkelslipmaskinen. Vid sådana tillfällen krävs det av säkerhetsskäl såväl en grundlig rengöring från metallavlagringar på insidan som en förkoppling av en jordfelsbrytare. Om jordfelsbrytaren skulle löser ut, så måste vinkelslipmaskinen skickas på reparation.

För verktyg avsedda att förses med skivor med gängat hål, bör man kontrollera att skivans gängning är tillräckligt lång att hantera spindelns

ANVÄND MASKINEN ENLIGT ANVISNINGARNA

PE 150: Polermaskinen kan användas för polering av lack, beläggningar, plaster och andra släta ytor.

SE 12-180: Maskine är lämpad att slipa ytor på trä, plastmaterial och metall.

Maskinen får endast användas för angiven tillämpning.

STARTSTRÖMBEGRÄNSNING + MJUKSTART

Maskinens inkopplingsströmstyrka uppnår flera gånger nominella strömstyrkan. Genom startströmbegränsning reduceras inkopplingsströmmen så mycket, att en säkring (16 A trög) inte slår till.

Mjukstart för säker hantering, inget ryck vid uppstart av maskinen.

ELEKTRONIK

Elektroniken efterjusterar varvtalet vid ökad belastning.

Vid längre belastning växlar elektroniken till reducerat varvtal. Verktyget arbetar långsamt för att kyla ned motorn. Efter från-och tillkoppling kan man arbeta vidare med verktyget.

CE-FÖRSÄKRAN

Vi intygar och ansvarar för att den produkt som beskrivs under "Tekniska data" överensstämmer med alla relevanta bestämmelser i direktiv 2011/65/EU (RoHS), 2006/42/EG, 2004/108/EG och följande harmoniserade numrerade dokument:

EN 60745-1:2009 + A11:2010
EN 60745-2-3:2011 + A2:2013
EN 55014-1:2006 + A1:2009 + A2:2011
EN 55014-2:1997 + A1:2001 + A2:2008
EN 61000-3-2:2006 + A1:2009+A2:2009
EN 61000-3-3:2008

Winnenden, 2013-01-28



Alexander Krug
Managing Director



Befullmäktigad att sammanställa teknisk dokumentation.

Techtronic Industries GmbH
Max-Eyth-Straße 10
71364 Winnenden
Germany

NÄTANSLUTNING

Får endast anslutas till 1-fas växelström och till den spänning som anges på dataskylten. Anslutning kan även ske till eluttag utan skyddskontakt, eftersom konstruktionen motsvarar skyddsklass II.

SKÖTSEL

Se till att motorhöljets luftslitsar är rena.

Använd endast AEG tillbehör och reservdelar. Byggdelar vars utbyte ej beskrives utväxlas bäst av AEG auktoriserad serviceverkstad. (beakta broschyrer Garanti/Kundtjänstadresser).

Vid behov kan du rekvirera apparatens sprängskiss antingen hos kundservicen eller direkt hos Techtronic Industries GmbH, Max-Eyth-Straße 10, 71364 Winnenden, Germany. Du ska då ange maskintypen och numret på sex siffror som står på effektskylten.

SYMBOLER



OBSERVERA! VARNING! FARA!



Drag alltid ur kontakten när du utför arbeten på maskinen.



Läs instruktionen noga innan du startar maskinen.



Använd alltid skyddsglasögon.



Bär skyddshandskar!



Använd ingen kraft.



Tillbehör - Ingår ej i leveransomfånget, erhålles som tillbehör.



Elektriska verktyg får inte kastas i hushållssoporna! Enligt direktivet 2002/96/EG som avser äldre elektrisk och elektronisk utrustning och dess tillämpning enligt nationell lagstiftning ska uttjänta elektriska verktyg sorteras separat och lämnas till miljövänlig återvinning.



Elverktyg skyddsklass II. Elverktyg hos vilket skyddet mot elstötar inte bara är abhängiggt av basisoleringen utan också av att det finns extra skyddsåtgärder, som en dubbel isolering eller en förstärkt isolering. Det finns ingen anordning för anslutning av en skyddsledare.



CE-symbol

ELEKTRONIK

Aletin elektronik sistemi, yüklenme artarken devir sayısını regüle eder

Motor aşırı ölçüde zorlandığında aşırı zorlama koruma donanımı devreye girer. Motor sarğılarının soğuması için alet yavaş çalışmaya devam eder. Yeterli soğuma sağlandıktan sonra alet tekrar çalıştırılabilir. Bu işlem için aleti kapatın ve açın

CE UYGUNLUK BEYANI

Tek sorumlu olarak "Teknik Veriler" bölümünde tarif edilen ürünün 2011/65/EU (RoHS), 2006/42/EC, 2004/108/EC sayılı direktifin ve aşağıdaki harmonize temel belgelerin bütün önemli hükümlerine uygun olduğunu beyan etmekteyiz:

EN 60745-1:2009 + A1:2010
EN 60745-2-3:2011 + A2:2013
EN 55014-1:2006 + A1:2009 + A2:2011
EN 55014-2:1997 + A1:2001 + A2:2008
EN 61000-3-2:2006 + A1:2009+A2:2009
EN 61000-3-3:2008

Winnenden, 2013-01-28


Alexander Krug
Managing Director



Teknik evrakları hazırlamakla görevlendirilmiştir.

Techtronic Industries GmbH
Max-Eyth-Straße 10
71364 Winnenden
Germany

ŞEBEKE BAĞLANTISI

Aleti sadece tek fazlı alternatif akıma ve tip etiketi üzerinde belirtilen şebeke gerilimine bağlayın. yapısı Koruma sınıfı II'ye girdiğinden alet koruyucu kontaklı prize de bağlanabilir.

BAKIM

Aletin havalandırma aralıklarını daima temiz tutun.

Sadece AEG aksesuarını ve yedek parçalarını kullanın. Değiştirilmesi açıklanmamış olan parçaları bir AEG müşteri servisinde değiştirin (Garanti broşürüne ve müşteri servisi adreslerine dikkat edin).

Gerektiğinde cihazın ayrıntılı çizimini, güç levhası üzerindeki makine modelini ve altı haneli rakamı belirterek müşteri servisizden veya doğrudan Techtronic Industries GmbH, Max-Eyth-Straße 10, 71364 Winnenden, Germany adresinden isteyebilirsiniz.

SEMBOLLER



DİKKAT! UYARI! TEHLİKE!



Aletin kendinde bir çalışma yapmadan önce fişi prizden çekin.



Lütfen aleti çalıştırmadan önce kullanma kılavuzunu dikkatli biçimde okuyun.



Aletle çalışırken daima koruyucu gözlük kullanın.



Koruyucu eldivenlerinizi takınız!



Güç kullanmayın.



Aksesuar - Teslimat kapsamında değildir, önerilen tamamlayıcılar aksesuar programında.



Elektrikli el aletlerini evdeki çöp kutusuna atmayınız! Kullanılmış elektrikli aletleri, elektrik ve elektrikli eski cihazlar hakkındaki 2002/96/EC Avrupa yönergelerine göre ve bu yönergeler ulusal hukuk kurallarına göre uyarlanarak, ayrı olarak toplanmalı ve çevre şartlarına uygun bir şekilde tekrar değerlendirilmeye gönderilmelidir.



Koruma sınıfı II olan elektrikli aletler. Elektrik çarpmasına karşı korumanın sadece temel izolasyona bağlı olmayıp, aynı zamanda çift izolasyon veya takviyeli izolasyon gibi ek koruyucu önlemlerin alınmasına bağlı olan elektrikli alet. Bir koruyucu iletken bağlamak için düzeneği bulunmamaktadır.



CE işareti

TECHNICKÁ DATA Leštička/Bruska brusným papírem

	PE 150	SE 12-180
Výrobní číslo.....	4095 75 02...	4122 81 02...
	4325 00 02.....	...000001-999999
Jmenovitý příkon	1200 W	1200 W
Odběr.....	600 W	600 W
Počet otáček při běhu naprázdno.....	900-2500 min ⁻¹	1800-4800 min ⁻¹
Volnoběžné otáčky max.....	4700 min ⁻¹	9000 min ⁻¹
Průměr brusného kotouče	150 mm	180 mm
Závět vřetene.....	M 14	M 14
Hmotnost podle prováděcího předpisu EPTA 01/2003.....	2,1 kg.....	2,5 kg

Informace o hluku / vibracích

Naměřené hodnoty odpovídají EN 60 745. V třídě A posuzovaná hladina hluku přístroje činí typicky:

Hladina akustického tlaku (K=3 dB(A))	82 dB(A)	82 dB(A)
Hladina akustického výkonu (K=3 dB(A)).....	93 dB(A)	93 dB(A)

Použijte chrániče sluchu!

Celkové hodnoty vibrací (vektorový součet tří směrů) zjištěné ve smyslu EN 60745.

Leštění: hodnota vibračních emisí a _v	3 m/s ²	- m/s ²
Kolisavost K =	1,5 m/s ²	- m/s ²
Broušení plastovým brusným kotoučem: hodnota vibračních emisí a _v	- m/s ²	3,3 m/s ²
Kolisavost K =	- m/s ²	1,5 m/s ²

VAROVÁN

Úroveň chvění uvedená v tomto návodu byla naměřena podle metody měření stanovené normou EN 60745 a může být použita pro porovnání elektrického nářadí. Hodí se také pro průběžný odhad zatížení chvěním.

Uvedená úroveň chvění představuje hlavní účely použití elektrického nářadí. Jestliže se ale elektrické nářadí používá pro jiné účely, s odlišnými nástroji nebo s nedostatečnou údržbou, může se úroveň chvění odlišovat. To může značně zvýšit zatížení chvěním během celé pracovní doby.

Pro přesný odhad zatížení chvěním se musí také zohlednit časy, během kterých je přístroj vypnutý nebo kdy je sice v chodu, ale skutečně se s ním nepracuje. To může zatížení chvěním během celé pracovní doby značně snížit.

Stanovte doplňková bezpečnostní opatření pro ochranu obsluhy před účinky chvění jako například: technická údržba elektrického nářadí a nástrojů, udržování teploty rukou, organizace pracovních procesů.

VAROVÁNÍ! Seznamte se se všemi bezpečnostními pokyny a sice i s pokyny v příložené brožuře. Zanedbání při dodržování varovných upozornění a pokynů mohou mít za následek úder elektrickým proudem, požár a/nebo těžká poranění.

Všechna varovná upozornění a pokyny do budoucna uschovejte.

SPECIÁLNÍ BEZPEČNOSTNÍ UPOZORNĚNÍ LEŠTIČKA/BRUSKA BRUSNÝM PAPIŘEM

Společná varovná upozornění k smirkování a leštění:

a) Toto elektronářadí se používá jako leštička (pouze u PE 150) a bruska brusným papírem (pouze u SE 12-180). Dbejte všech varovných upozornění, pokynů, zobrazení a údajů, jež jste s elektronářadím obdrželi. Pokud následující pokyny nedodržíte, může to vést k úderu elektrickým proudem, požáru nebo těžkým poraněním.

b) Toto elektrické nářadí není vhodné k broušení smirkovým papírem (pouze u PE 150) k leštění (pouze u SE 12-180), řezání a hrubování brusným kotoučem a kartáčování. Použití tohoto elektrického nářadí k jiným než určeným účelům může vést k ohrožení zdraví a ke zranění.

c) **Nepoužívejte žádné příslušenství, které není výrobcem speciálně pro toto elektronářadí určeno a doporučeno.** Pouze to, že můžete příslušenství na Vaše elektronářadí upevnit, nezaručuje bezpečné použití.

d) Dovolенý počet otáček nasazovacího nástroje musí být minimálně tak vysoký, jako na elektronářadí uvedený nejvyšší počet otáček. Příslušenství, jež se otáčí rychleji než je dovoleno, se může rozlomit a rozletět.

e) Vnější rozměr a tloušťka nasazovacího nástroje musí odpovídat rozměrovým údajům Vašeho elektronářadí. Špatně dimenzované nasazovací nástroje nemohou být dostatečně stíněny nebo kontrolovány.

f) **Brusné kotouče, přírubby, brusné taliře nebo jiné příslušenství musí přesně lícovat na brusné vřeteno Vašeho elektronářadí.** Nasazovací nástroje, které přesně nelicují na brusné vřeteno elektronářadí, se nerovnoměrně točí, velmi silně vibrují a mohou vést ke ztrátě kontroly.

g) **Nepoužívejte žádné poškozené nasazovací nástroje.** Zkontrolujte před každým použitím nasazovací nástroje jako brusné taliře na trhlíny, otěr nebo silné opotřebení. Spadne-li elektronářadí nebo nasazovací nástroj z výšky, zkontrolujte zda není poškozený nebo použijte nepoškozený nasazovací nástroj. Pokud jste nasazovací nástroj zkontrolovali a nasadili, držte se VY a v blízkosti nacházející se osoby mimo rovinu rotujícího nasazovacího nástroje a nechte stroj běžet jednu minutu s nejvyššími otáčkami. Poškozené nasazovací nástroje většínou v této době testování prasknou.

h) **Noste osobní ochranné vybavení.** Podle aplikace použijte ochranu celého obličej, ochranu očí nebo ochranné brýle. Taktéž adekvátně noste ochrannou masku proti prachu, ochranu sluchu, ochranné rukavice nebo speciální zástěru, jež Vás ochrání před malými částicemi brusiva a materiálu. Oči mají být chráněny před odletujícími cizími tělísky, jež vznikají při různých aplikacích. Protiprachová maska či respirátor musejí při používání vznikající prach odfiltrovat. Pokud jste dlouho vystaveni silnému hluku, můžete utrpět ztrátu sluchu.

i) **Dbejte u ostatních osob na bezpečnou vzdálenost k Vaší pracovní oblasti.** Každý, kdo vstoupí do této pracovní oblasti, musí nosit osobní ochranné vybavení. Úlomky obrobku nebo ulomených nasazovacích nástrojů mohou odlétnout a způsobit poranění i mimo přímou pracovní oblast.

j) **Pokud provádíte práce, při kterých může nasazovací nástroj zasáhnout skrytá elektrická vedení nebo vlastní**

j) Če izvajate dela, pri katerih bi lahko vstavno orodje zadelo ob skrite električne vodnike ali ob lastni omrežni kabel, držite električno orodje samo za izolirane ročaje. Stik z vodnikom, ki je pod napetostjo, prenese napetost tudi na kovinske dele električnega orodja in povzroči električni udar.

k) Omrežnega kabla ne približujte vrtečemu se vsadnemu orodju. Če izgubite nadzor nad električnim orodjem, lahko orodje prereže ali zagradi kabel, Vaša roka pa zaide v vrteče se vsadno orodje.

l) Ne odlagajte električnega orodja, dokler se vsadno orodje popolnoma ne ustavi. Vrteče se vsadno orodje lahko pride v stik z odlagalno površino, zaradi česar lahko izgubite nadzor nad električnim orodjem.

m) Električno orodje naj medtem, ko ga prenašate naokrog, ne deluje. Vrteče se vsadno orodje lahko zaradi naključnega kontakta zagradi Vaše oblačilo in se zavrti v Vaše telo.

n) Prezračevalne reže Vašega električnega orodja morate redno čistiti. Ventilator motorja povleče v ohišje prah in velika količina nabranega prahu je lahko vzrok za električno nevarnost.

o) Ne uporabljajte električnega orodja v bližini gorljivih materialov. Ti materiali se lahko zaradi iskenja vnamejo.

p) Ne uporabljajte vsadnih orodij, ki za hlajenje potrebujejo tekočino. Uporaba vode ali drugih tekočin lahko povzroči električni udar.

Povratni udarec in ustrežna opozorila

Povratni udarec je nenadna reakcija, ki nastane zaradi zagodenja ali blokiranja vrtečega se vsadnega orodja, na primer brusilnega koluta, brusilnega krožnika, žične ščetke in podobnega. Zagodenje ali blokiranje ima za posledico takojšnjo ustavitve vrtečega se vsadnega orodja. Nekonrolirano električno orodje se zaradi tega pospešeno premakne v smer, ki je nasprotna smeri vrtenja vsadnega orodja.

Če se na primer brusilni kolut zatakne ali zablokira v obdelovancu, se lahko rob brusilnega koluta, ki je potopljen v obdelovanec, zaplete vanj in brusilni kolut se odloži ali povzroči povratni udarec. Brusilni kolut se nato premakne proti uporabniku ali proč od njega, odvisno od smeri vrtenja brusilnega koluta na mestu blokiranja.

Povratni udarec je posledica napačne ali pomanjkljive uporabe električnega orodja. Preprečite ga lahko z ustreznimi previdnostnimi ukrepi. Navedeni so v nadaljevanju besedila.

a) Dobro držite električno orodje in premaknite telo in roke v položaj, v katerem boste lahko prestregli moč povratnega udarca. Če je na voljo dodatni ročaj, ga obvezno uporabljajte in tako zagotovite najboljše možno nadziranje moči povratnih udarcev ali reakcijskih momentov pri zagonu naprave. Z ustreznimi previdnostnimi ukrepi lahko uporabnik obvlada moč povratnih udarcev in reakcijskih momentov.

b) Nikoli z roko ne segajte v bližino vrtečih se vsadnih orodij. V primeru povratnega udarca se lahko orodje premakne čez Vašo roko.

c) Ne približujte telesa področju, v katerega se lahko v primeru povratnega udarca premakne električno orodje. Povratni udarec potisne električno orodje v smer, ki je nasprotna smeri premikanja brusilnega koluta na mestu blokiranja.

d) Posebno previdno delajte v kotih, na ostrih robovih in podobnih površinah. Preprečite, da bi vsadna orodja odskočila od obdelovanca in se zagozdila. Vrteče se vsadno orodje se v kotih, na ostrih robovih ali če odskoči, zlahka zagozdi. To povzroči izgubo nadzora ali povratni udarec.

e) Ne uporabljajte verižnih ali nazobčanih žaginih listov. Ta vsadna orodja pogosto povzročijo povratni udarec ali izgubo nadzora nad električnim orodjem.

SE 12-180:

Posebna opozorila za brušenje z brusnim papirjem

a) Ne uporabljajte predimenzioniranih brusilnih listov, temveč upoštevajte podatke proizvajalca o velikosti žaginega lista. Brusilni listi, ki gledajo čez brusilni krožnik, lahko povzročijo telesne poškodbe ali pa blokiranje in trganje žaginega lista oziroma povratni udarec.

PE 150:

Posebna opozorila za poliranje

a) Polirna kapa ne sme imeti nobenih opletajočih delov, kar še posebno velja za pritrđilne trakove. Pritrđilne trakove spravite ali skrajšajte. Opletajoči pritrđilni trakovi, ki se vrtijo skupaj s polirno kapo, lahko zagrabijo Vaše prste ali se zapletejo v obdelovanec.

Vtičnice v zunanjem področju morajo biti opremljene z zaščitnimi stikali za okvarni tok (FI, RCD, PRCD). To zahteva instalacijski predpis za vašo električno napravo. Prosimo, da to pri uporabi naše naprave upoštevate.

Trske ali iveri se pri tekočem stroju ne smejo odstranjevati.

Stroj priključite na vtičnico samo v izklopljenem stanju.

Ne segajte na področje nevarnosti tekočega stroja.

Vedno uporabljajte dodatni ročaj.

Napravo takoj izklopite, če nastopijo znatne vibracije ali če ugotovite drugačne pomanjkljivosti. Preverite stroj, da ugotovite vzrok.

Brusilne ploščice vedno uporabljajte in shranjujte v skladu z navedbami proizvajalca.

Pri brušenju kovin nastaja iskenje. Pazite na to, da ne ogrožate nobenih oseb. Zaradi nevarnosti požara se v bližini (na področju iskenja) ne smejo nahajati nobeni gorljivi materiali. Ne uporabljajte odsesavanja prahu.

Aparat vedno držite tako, da iskre ali brusilni prah letijo vstran od telesa.

Matica prirobnice mora biti pred zagonom stroja zategnjena.

Kos, ki ga želite obdelovati, mora biti trdno vpet, če ne drži že zaradi lastne teže. Nikoli obdelovalnega kosa ne vodite z roko proti plošči.

Pri ekstremnih pogojih uporabe (npr. obrusu kovin z opornim krožnikom in vulkan-fiber brusilnimi ploščami) se lahko v notranjosti kotne brusilke naberejo nečistoče. Pri tovrstnih pogojih uporabe je iz varnostnih razlogov potrebno temeljito čiščenje kovinskih oblog v notranjosti in obvezen predklop varovalnega (FI) stikala. V primeru sprožitve FI-varovalnega stikala je potrebno stroj dati v popravilo.

Pri brusilnih sredstvih, ki so opremljeni s ploščico z navojem se prepričajte, da je navoj v ploščici dovolj dolg za vreteno.

UPORABA V SKLADU Z NAMEMBNOSTJO

PE 150: Polirna priprava je uporabna za poliranje lakov, slojev, umetnih mas in drugih gladkih površin.

SE 12-180: Brusilnik je primeren za površinsko brušenje lesa, umetne mase in kovine.

Ta naprava se sme uporabiti samo v skladu z namembnostjo uporabiti samo za navede namene.

OMEJITEV ZAGONSKEGA TOKA + RAHLI ZAGON

Zagonski tok stroja je nekajkrat višji od nazivnega toka. S pomočjo omejevalnika zagonskega toka se vklopni tok reducira za toliko, da se ne aktivira varovalka (16 A inertno).

Elektronski rahli zagon za varno delovanje pri vklopu preprečuje sunkovit zagon stroja.

ELEKTRONIKA

Elektronika naknadno uravnava število vrtljajev pri naraščajoči obremenitvi.

Pri dlje trajajoči preobremenitvi elektronika preklopi na zmanjšano število vrtljajev. Stroj teče počasi dalje zaradi hlajenja navojev motorja. Po izklopu in ponovnem vklopu stroja lahko delate s strojem dalje na področju nazivne obremenitve.

CE-IZJAVA O KONFORMNOSTI

V lastni odgovornosti izjavljamo, da se pod "Tehnični podatki" opisan proizvod ujema z vsemi relevantnimi predpisi smernice 2011/65/EU (RoHS), 2006/42/ES, 2004/108/ES in s sledečimi harmoniziranimi normativnimi dokumenti:

EN 60745-1:2009 + A11:2010
EN 60745-2-3:2011 + A2:2013
EN 55014-1:2006 + A1:2009 + A2:2011
EN 55014-2:1997 + A1:2001 + A2:2008
EN 61000-3-2:2006 + A1:2009+A2:2009
EN 61000-3-3:2008

Winnenden, 2013-01-28

Alexander Krug
Managing Director



Pooblaščen za izdelavo spisov tehnične dokumentacije.

Techtronic Industries GmbH
Max-Eyth-Straße 10
71364 Winnenden
Germany

OMREŽNI PRIKLJUČEK

Priključite samo na enofazni izmenični tok in samo na omrežno napetost, ki je označena na tipski ploščici. Priključitev je možna tudi na vtičnice brez zaščitnega kontakta, ker obstaja nadgradnja zaščitnega razreda.

VZDRŽEVANJE

Pazite na to, da so prezračevalne reže stroja vedno čiste.

Uporabljajte samo AEG pribor in nadomestne dele.

Poskrbite, da sestavne dele, katerih zamenjava ni opisana, zamenjajo v AEG servisni službi (upoštevajte brošuro Garancija/Naslovi servisnih služb).

Po potrebi je mogoče pri vašem servisnem mestu ali neposredno pri Techtronic Industries GmbH, Max-Eyth-Straße 10, 71364 Winnenden, Germany, naročiti eksplozijsko risbo naprave ob navedbi tipa stroja in na tablici navedene šestmestne številke.

SIMBOLI



POZOR! OPOZORILO! NEVARNO!



Pred vsemi deli na stroju izvlecite vtič iz vtičnice.



Prosimo, da pred uporabo pozorno preberete to navodilo za uporabo.



Pri delu s strojem vedno nosite zaščitna očala.



Nositi zaščitne rokavice



Brez uporabe sile.



Oprema – ni vsebovana v obsegu dobave, priporočeno dopolnilo iz programa opreme.



Električnega orodja ne odstranjujte s hišnimi odpadki! V skladu z Evropsko direktivo 2002/96/EC o odpadni elektrini in elektronski opremi in z njenim izvajanjem v nacionalni zakonodaji je treba električna orodja ob koncu njihove življenjske dobe loceno zbirati in jih predati v postopek okolju prijaznega recikliranja.



Električno orodje zaščitnega razreda II. Električno orodje, pri katerem zaščita pred električnim udarom ni odvisna zgolj od osnovne izolacije, temveč tudi od tega, da so uporabljeni dodatni ukrepi, kot dvojna ali okrepjena izolacija.

Ni priprave za priključek zaščitnega vodnika.



CE-znak

ELEKTRONIKA

Elektronika naknadno regulira broj okretaja kod porasta opterećenja

Kod dužeg opterećenja elektronika preklapa na reducirani broj okretaja. Stroj radi sporo dalje zbog hlađenja namotaja motora. Nakon isključivanja i ponovnog uključivanja se strojem može raditi dalje u području nominalnog opterećenja.

CE-IZJAVA KONFORMNOSTI

Izjavljujemo na osobnu odgovornost, da je proizvod opisan pod "Tehnički podaci", sukladan sa svim relevantnim propisima smjernice 2011/65/EU (RoHS), 2006/42/EC, 2004/108/EC i sa sljedećim harmoniziranim normativnim dokumentima:

EN 60745-1:2009 + A11:2010
EN 60745-2-3:2011 + A2:2013
EN 55014-1:2006 + A1:2009 + A2:2011
EN 55014-2:1997 + A1:2001 + A2:2008
EN 61000-3-2:2006 + A1:2009+A2:2009
EN 61000-3-3:2008

Winnenden, 2013-01-28



Alexander Krug
Managing Director



Ovlašten za formiranje tehničke dokumentacije.

Techtronic Industries GmbH
Max-Eyth-Straße 10
71364 Winnenden
Germany

PRIKLJUČAK NA MREŽU

Priključiti samo na jednofaznu naizmjeničnu struju i samo na napon struje, naveden na pločici snage. Priključak je moguć i na utičnice bez zaštitnog kontakta, jer postoji dogradnja zaštitne klase II.

ODRŽAVANJE

Proreze za prozračivanje stroja uvijek držati čistima.

Primijeniti samo AEG opremu i rezervne dijelove. Sastavne dijelove, čija zamjena nije opisana, dati zamijeniti kod jedne od AEG servisnih službi (poštivati brošuru Garancija/Adrese servisa).

Po potrebi se crtež pojedinih dijelova aparata uz navođenje podatka o tipu stroja i šestznamenastog broja na pločici snage može zatražiti kod vašeg servisa ili direktno kod Techtronic Industries GmbH, Max-Eyth-Straße 10, 71364 Winnenden, Njemačka.

SIMBOLI



PAŽNJA! UPOZORENJE! OPASNOST!



Prije radova na stroju izvruci utikač iz utičnice.



Molimo da pažljivo pročitate uputu o upotrebi prije puštanja u rad.



Kod radova na stroju uvijek nositi zaštitne naočale.



Nositi zaštitne rukavice!



Ne upotrebljavati silu.



Oprema - u opsegu isporuke nije sadržana, preporučena dopuna iz promgrama opreme.



Elektricne alate ne odlažite u kucne otpatke! Prema Europskoj direktivi 2002/96/EC o starim elektricnim i elektronicnim strojevima i prezimanju u nacionalno pravo moraju se istrošeni elektricni alati sakupljati odvojeno i odvesti u pogon za reciklažu.



Električni alat zaštitne kategorije II. Električni alat, čija zaštita od jednog električnog udara ne zavisi samo od osnovne izolacije, već i od toga, da se primijene dodatne zaštitne mjere, kao što su dvostruka izolacija ili pojačana izolacija. Ne postoji nikakva naprava za priključak nekog zaštitnog voda.



Oznaka-CE

TEHNIŠKIE DATI

	Pulētājs/Slīpētājs	PE 150	SE 12-180
Izlaides numurs	4095 75 02...	4122 81 02...	4325 00 02...
	...000001-999999		...000001-999999
Nominālā atdotā jauda	1200 W	1200 W	1200 W
Cietkoks (W)	600 W	600 W	600 W
Apgriezieni tukšgaitā	900-2500 min ⁻¹	1800-4800 min ⁻¹	1800-4800 min ⁻¹
Maks. tukšgaitas apgriezienu skaits	4700 min ⁻¹	9000 min ⁻¹	9000 min ⁻¹
Slīpdisks ar diametru	150 mm	180 mm	180 mm
Vārpstas vijums	M 14	M 14	M 14
Svars atbilstoši EPTA -Procedure 01/2003	2,1 kg	2,5 kg	2,5 kg

Trokšņu un vibrāciju informācija

Vērtības, kas noteiktas saskaņā ar EN 60 745.

A novērtētās aparatūras skaņas līmenis ir:

trokšņa spiediena līmenis (K = 3 dB(A))	82 dB(A)	82 dB(A)
trokšņa jaudas līmenis (K = 3 dB(A))	93 dB(A)	93 dB(A)

Nēsāt trokšņa slāpētāju!

Svārstību kopējā vērtība (Trīs virzienu vektoru summa) tiek noteikta atbilstoši EN 60745.

Pulēšana: svārstību emisiju vērtība a _h	3 m/s ²	- m/s ²
Nedrošība K =	1,5 m/s ²	- m/s ²
Slīpēt ar plastmasas slīpēšanas ripu: svārstību emisiju vērtība a _h	- m/s ²	3,3 m/s ²
Nedrošība K =	- m/s ²	1,5 m/s ²

UZMANĪBU

Instrukcijā norādītā svārstību robežvērtība ir izmērīta mērījumu procesā, kas veikts atbilstoši standartam EN 60745, un to var izmantot elektroinstrumentu savstarpējai salīdzināšanai. Tā ir piemērota arī svārstību noslogojuma pagaidu izvērtēšanai.

Norādītā svārstību robežvērtība ir reprezentatīva elektroinstrumenta pamata pielietojuma jomām. Tomēr, ja elektroinstrumentus tiek pielietoti citās jomās, papildus izmantojot neatbilstošus elektroinstrumentus vai pēc nepietiekamas tehniskās apkopes, tad svārstību robežvērtība var atšķirties. Tas var ievērojami palielināt svārstību noslogojumu visa darba laikā.

Prēcizai svārstību noslogojuma noteikšanai, ir jāņem vērā arī laiks, kad ierīces ir izslēgta vai arī ir ieslēgta, tomēr faktiski netiek lietota. Tas var ievērojami samazināt svārstību noslogojumu visa darba laikā.

Integrējiet papildus drošības pasākumus pret svārstību ietekmi lietotājam, piemēram: elektroinstrumentu un darba instrumentu tehniskā apkope, roku siltuma uzturēšana, darba procesu organizācija.

UZMANĪBU! Izlasiet visu drošības instrukciju un lietošanas pamācību klāt pievienotajā bukletā. Seit sniegto drošības noteikumu un norādījumu neievērošana var izraisīt aizdegšanos un būt par cēloni elektriskajam triecienam vai nopietnam savainojumam. **Pēc izlasīšanas uzglabājiet šos noteikumus turpmākai izmantošanai.**

SPECĪLIE DROŠĪBAS NOTEIKUMI PULĒTĀJS/SLĪPĒTĀJS

Kopējie drošības noteikumi slīpēšanai ar smilšpapīra loksni un pulēšanai:

a) Šis elektroinstrumenti ir lietojams kas piemērota arī pulēšanai (tikai attiecībā uz PE 150) un slīpēšanai ar smilšpapīra loksni (tikai attiecībā uz SE 12-180). Ņemiet vērā visas elektroinstrumentam pievienotās instrukcijas, norādījumus, attēlus un citu informāciju. Turpmāk sniegto norādījumu neievērošana var kļūt par cēloni elektriskajam triecienam, ugunsgrēkam un/vai smagam savainojumam.

b) Šis elektriskais darbarīks nav piemērots smilšpapīra slīpēšanai (tikai attiecībā uz PE 150), pulēšanai (tikai attiecībā uz SE 12-180), slīpēšanai, darbam ar metāla birstēm un leņķa slīpmašīnām. Šīs ierīces izmantošana mērķiem, kuriem tā nav paredzēta, var to sabojāt.

c) Neizmantojiet piederumus, kurus ražotājfirma nav paredzējusi šim elektroinstrumentam un ieteikusi lietošanai kopā ar to. Iespēja nostiprināt piederumu uz elektroinstrumenta vēl negarantē tā drošu lietošanu.

d) Iestiprināmā darbinstrumenta pieļaujamajam griešanās ātrumam jābūt ne mazākam par elektroinstrumenta lielāko norādīto griešanās ātrumu. Piederums, kas griežas ātrāk, nekā pieļaujams, var salūzt un tikt mests prom.

e) Darbinstrumentu ārējam diametram un biežumam jāatbilst elektroinstrumenta konstrukcijai un izmēriem. Ja darbinstrumenta izmēri ir izvēlēti nepareizi, tas pilnībā nenovietojas zem aizsarga un darba laikā apgrūtina instrumenta vadību.

f) Slīpēšanas diskam, balstapvlāksnei, slīpēšanas pamatnei vai citiem piederumiem precīzi jānovietojas uz elektroinstrumenta darbavārpstas. Nomaināmie darbinstrumenti, kas precīzi neatbilst elektroinstrumenta darbavārpstas konstrukcijai, nevienmērīgi griežas, ļoti spēcīgi vibrē un var būt par cēloni kontroles zaudēšanai pār instrumentu.

g) Neizmantojiet bojātus darbinstrumentus. Ik reizi pirms darbinstrumentu lietošanas pārbaudiet, vai tie nav bojāti, vai slīpēšanas diski nav atslāņojušies vai iekļāvušies, vai slīpēšanas pamatnē nav vērojamas plaisas un vai stieple suku veidojošās stieples. Ja elektroinstrumenti vai darbinstrumenti ir kritis no zināma augstuma, pārbaudiet, vai tas nav bojāts, vai arī izmantojiet darbam nebojātu darbinstrumentu. Pēc darbinstrumenta apskates un iestiprināšanas ļaujiet elektroinstrumentam darboties ar maksimālo griešanās ātrumu vienu minūti ilgi, turot rotējošo darbinstrumentu drošā attālumā no sevis un citām tūvumā esošajām personām. Bojātie darbinstrumenti šādas pārbaudes laikā parasti salūst.

h) Lietojiet individuālos darba aizsardzības līdzekļus. Atkarībā no veicamā darba rakstura izvēlieties pilnu sejas aizsargu, noslēdzošās aizsargbrilles vai parastās aizsargbrilles. Lai aizsargātos no lidojošajām slīpēšanas darbinstrumenta un apstrādājamā materiāla daļiņām, pēc vajadzības lietojiet putekļu aizsargmasku, ausu aizsargus un aizsargcimdus vai arī īpašu priekšautu. Lietotāja acis jāpasargā no lidojošajiem svešķermeņiem, kas dažkārt rodas darba gaitā. Putekļu

ELEKTRONINIS VALDYMAS

Didėjant apkrovai, elektroninis valdymas perreguliuoja sūkių skaičių.

Esant ilgesnei perkrovai, elektroninis valdymas sumažina sūkių skaičių. Įrenginys toliau lėtai veikia ir aušina variklio apviją. Išjungus ir vėl įjungus, galima įrenginiui dirbti toliau vardinės apkrovos diapazone.

CE ATITIKTIES PAREIŠKIMAS

Remiantis bendrais atsakomybės reikalavimais pareiškiamie, jog skyriuje "Techniniai duomenys" aprašytas produktas atitinka visus toliau pateikti juridinių direktyvų reikalavimus: 2011/65/EU (RoHS), 2006/42/EB, 2004/108/EB ir kitus su jomis susijusius norminius dokumentus:

EN 60745-1:2009 + A11:2010
EN 60745-2-3:2011 + A2:2013
EN 55014-1:2006 + A1:2009 + A2:2011
EN 55014-2:1997 + A1:2001 + A2:2008
EN 61000-3-2:2006 + A1:2009+A2:2009
EN 61000-3-3:2008

Winnenden, 2013-01-28


Alexander Krug
Managing Director



Įgaliojtas parengti techninius dokumentus.

Techtronic Industries GmbH
Max-Eyth-Straße 10
71364 Winnenden
Germany

ELEKTROS TINKLO JUNGTIŠ

Jungti tik prie vienfazės kintamos elektros srovės ir tik į specifikacijų lentelėje nurodytos įtampos elektros tinklą. Konstrukcijos saugos klasė II, todėl galima jungti ir į lizdus be apsauginio kontakto.

TECHNINIS APTARNAVIMAS

Įrenginio vėdinimo angos visada turi būti švarios.

Naudokite tik AEG priedus ir atsargines dalis. Dalis, kurių keitimas neaprašytas, leidžiama keisti tik AEG klientų aptarnavimo skyriams (žr. garantiją/klientų aptarnavimo skyrių adresus brošiūroje).

Esant poreikiui, nurodžius mašinos modelį ir šešiaženklį numerį, esantį ant specifikacijų lentelės, klientų aptarnavimo centre arba tiesiogiai „Techtronic Industries GmbH“, Max-Eyth-Str. 10, 71364 Winnenden, Vokietija, galite užsakyti išplėstinį prietaiso brėžinį.

ŠIMBOLIAI



DĖMESIO! ĮSPĖJIMAS! PAVOJUS!



Prieš atlikdami bet kokius įrenginyje, ištraukite iš lizdo kištuką.



Prieš pradėdami dirbti su prietaisu, atidžiai perskaitykite jo naudojimo instrukciją.



Dirbdami su įrenginiu visada nešiokite apsauginius akinius.



Lietojiet aizsardzības cimdus!



Nenaudoti jėgos.



Priedas – nejeina į tiekimo komplektaciją, rekomenduojamas papildymas iš priedų asortimento.



Neišmeskite elektros irengimu i buitinius šiukšlynus! Pagal ES Direktyva 2002/96/EB del naudotu irengimu, elektros irengimu ir ju itraukimo i valstybinius istatymus naudotus irengimus butina suringti atskirai ir nugabenti antriniu žaliavu perdurbimui aplinkai nekenksmingu budu.



Į apsaugos klasės elektrinis įrankis. Šio elektrinio įrankio apsauga nuo elektros smūgio priklauso ne tik nuo pagrindinės izoliacijos, bet ir nuo to, kaip naudojamos papildomos apsauginės priemonės, tokios kaip dviguba arba pagerinta izoliacija. Nėra jokio prietaiso apsauginio laido pajungimui.



CE ženklas

TEHNIŠED ANDMED

Poleerija/Lihvija	PE 150	SE 12-180
Tootmisnumber.....	4095 75 02.....	4122 81 02.....
.....	4325 00 02.....000001-999999
.....000001-999999
Nimtarbimine.....	1200 W.....	1200 W.....
Väljundvõimsus.....	600 W.....	600 W.....
Pöörlemiskiirus tühjooksul.....	900-2500 min ⁻¹	1800-4800 min ⁻¹
Maks pöörlemiskiirus tühjooksul.....	4700 min ⁻¹	9000 min ⁻¹
Lihvketta ø.....	150 mm.....	180 mm.....
Spindlikeere.....	M 14.....	M 14.....
Kaal vastavalt EPTA-protseduurile 01/2003.....	2,1 kg.....	2,5 kg.....

Müra/vibratsioonid andmed

Mõõteväärtused on kindlaks tehtud vastavalt normile EN 60 745.

Seadme tüüpiline hinnanguline (A) müratase:

Helirõhutase (K = 3 dB(A)).....	82 dB(A).....	82 dB(A).....
Helivõimsuse tase (K = 3 dB(A)).....	93 dB(A).....	93 dB(A).....

Kandke kaitseks kõrvaklappe!

Vibratsioonid koguväärtus (kolme suuna vektorsumma) mõõdetud EN 60745 järgi.

Poleerimine: vibratsiooni emissiooni väärtus a _v	3 m/s ²	- m/s ²
Määramatus K =.....	1,5 m/s ²	- m/s ²
Kunstmaterjalist kettaga lihvimine: vibratsiooni emissiooni väärtus a _v	- m/s ²	3,3 m/s ²
Määramatus K =.....	- m/s ²	1,5 m/s ²

TÄHELEPANU

Antud juhendis toodud võnketase on mõõdetud EN 60745 standardile vastava mõõtesüsteemiga ning seda võib kasutada erinevate elektriseadmete omavahelises võrdlemises. Antud näitaja sobib ka esmaseks võnkekoormuse hindamiseks.

Antud võnketase kehtib elektriseadme kasutamisel sihtotstarbeliselt. Kui elektriseadet kasutatakse muudel otstarvetel, muude tööriistadega või seda ei hooldata piisavalt võib võnketase siintoodust erineda. Eeltoodu võib võnketaset märkimisväärselt tõsta terves töökeskkonnas.

Võnketaseme täpsaks hindamiseks tuleks arvestada ka aega, mil seade on välja lülitatud või on küll sisse lülitatud, kuid ei ole otseselt kasutuses. See võib märgatavalt vähendada kogu töökeskkonna võnketaset.

Rakendage spetsiaalseid ettevaatusabinõusid töötajate suhtes, kes puutuvad töö käigus palju kokku vibratsiooniga. Nendeks abinõudeks võivad olla, näiteks: elektri- ja tööseadmete korraline hooldus, käte soojendamine, töövoos parem organiseerimine.

⚠ TÄHELEPANU! Lugege kõik ohutusnõuanded ja juhendid läbi, ka juures olevast brošüürist. Ohutusnõuete ja juhiste eiramise tagajärjeks võib olla elektrilöökk, tulekahju ja/või raske vigastused. Hoidke kõik ohutusnõuded ja juhised edasiseks kasutamiseks hoolikalt alles.

SPETSIAALSED TURVAJUHISED POLEERIJAJA/LIHVIJAJA

Ühised ohutusjuhised liivapaberiga lihvimiseks ja poleerimiseks:

- Käesolev elektriline tööriist on ette nähtud poleerimiseks (ainult P puhul) ja liivapaberiga lihvimiseks (ainult S puhul). Järgige kõiki tööriistaga kaasasolevaid hoiatusi, juhiseid, jooniseid ja tehnilisi andmeid. Järgnevalt toodud juhiste eiramise tagajärjeks võib olla elektrilöökk, tulekahju ja/või raske vigastused.**
- See elektritööriist ei ole mõeldud liivapaberiga lihvimiseks (ainult PE 150 puhul), poleerimiseks (ainult SE 12-180 puhul), lõikamine ja jämelihvimine ja traatharjaga. Seadme kasutamine mitteetennatud otstarbel võib põhjustada kahjustusi ja vigastusi.**
- Ärge kasutage tarvikuid, mida ei ole tootja selle elektrilise tööriista jaoks ette näinud ega soovitanud. Asjaolu, et saate tarvikud oma seadme külge kinnitada, ei taga veel seadme ohutut tööd.**
- Kasutatava tarviku lubatud pöörlemiskiirus peab olema vähemalt sama suur nagu elektrilise tööriista maksimaalne pöörde arv. Lubatud kiirusest kiiremini pöörlev tarvik võib puruneda ning selle tüki võivad laili paiskuda.**
- Tarviku välisläbimõõt ja paksus peavad vastama elektrilise tööriista mõõtmetele. Valedes mõõtetega tarvikuid ei kata kaitsekate piisaval määral, mistõttu võivad need kontrolli alt väljuda.**

f) Lihvketad, seibid, lihvtallad ja teised tarvikud peavad elektrilise tööriista spindli läbimõõduga täpselt sobima. Tarvikud, mis spindli läbimõõduga täpselt ei sobi, pöörlevad ebaühtlaselt, viibreivad tugevalt ja võivad põhjustada kontrolli kaotuse seadme üle.

g) Ärge kasutage vigastatud tarvikuid. Iga kord enne kasutust kontrollige tarvikuid. Kui seade või tarvik kukub maha, siis veenduge, et see ei ole vigastatud, või kasutage vajaduse korral vigastamata tarvikut. Kui olete tarviku üle vaadanud ja kohale asetanud, laske seadmel ühe minuti jooksul töötada maksimaalsel pöoretel. Seejuures ärge asetsege pöörleva tarvikuga ühel tasandil ja veenduge, et seda ei tee ka läheduses viibivad inimesed. Selle katseaja jooksul vigastatud tarvikud üldjuhul purunevad.

h) Kandke isikukaitsevahendeid. Kasutage vastavalt kasutusotstarbele näomaski, silmakaitset või kaitseprille. Vajaduse korral kandke tolmukaitsemaski, kuulmiskaitsevahendeid, kaitsekindaid või kaitsepõlle, mis kaitseb Teid lihvimisel eralduvate väikeste osakeste eest. Silmad peavad olema kaitstud seadme kasutamisel eralduvate võõrkehade eest. Tolmu- või hingamisteede kaitsemaskid peavad filtreerima kasutamisel tekkiva tolmu. Pikaajaline vali müra võib kahjustada kuulmist.

i) Veenduge, et teised inimesed on tööpiirkonnast ohutus kauges. Igaüks, kes tööpiirkonda siseneb, peab kandma isikukaitsevahendeid. Tooriku või tarviku murdunud tükid võivad eemale paiskuda ja põhjustada vigastusi ka väljaspool otsest tööpiirkonda.

j) Kui esineb oht, et seade võib tabada varjatud elektrijuhtmeid või omaenda toitejuhet, tohib seadet hoida üksnes isoleeritud käepidemetest. Kontakt pingele all oleva juhtmega pingestab ka seadme metalldetailid ja põhjustab elektrilöögi.

k) Hoidke toitejuhe pöörlevatest tarvikutest eemal. Kontrolli kaotusel seadme üle tekib toitejuhtme läbilõikamise

või kaasahaaramise oht ning Teie käsi võib pöörleva tarvikuga kokku puutuda.

l) Ärge pange seadet käest enne, kui seadme spindel on täielikult seiskunud. Pöörlev tarvik võib aluspinnaga kokku puutuda, mille tagajärjeks võib olla kontrolli kaotus seadme üle.

m) Seadme transportimise ajal ärge laske seadmel töötada. Teie rõivad võivad pöörleva tarvikuga juhuslikult kokku puutuda ning tarvik võib tungida Teie kehasse.

n) Puhastage regulaarselt seadme ventilatsioonivasid. Mootori ventilaator tõmbab tolmu korpusesse, kuhjув metallitölm võib põhjustada elektrilisi ohte.

o) Ärge kasutage seadet kergesti süttivate materjalide läheduses. Sädemete tõttu võivad need materjalid süttida.

p) Ärge kasutage tarvikuid, mille puhul tuleb kasutada jahutusvedelikke. Vee või teiste jahutusvedelike kasutamine võib põhjustada elektrilöögi.

Tagasilöökk ja asjaomased ohutusnõuded

Tagasilöökk on kinnikiilduvast tarvikust, näiteks lihvketast, lihvallast, traatharjast vmt tingitud järsk reaktsioon.

Kinnikiildumine põhjustab tarviku järsu seiskumise. Selle tagajärjel liigub seade kontrollimatult tarviku pöörlemissuunale vastupidises suunas.

Kui näiteks lihvketas toorikus kinni kiildub, võib tagajärjeks olla tagasilöökk või lihvketta murdumine. Lihvketas liigub sõltuvalt ketta pöörlemissuunast kas seadme kasutaja poole või kasutajast eemal.

Tagasilöökk on seadme ebaõige kasutamise või valede tööviiside tagajärg. Seda saab vältida, rakendades järgnevalt kirjeldatud sobivaid ettevaatusabinõusid.

a) Hoidke seadet tugevasti kinni ja viige oma keha ja käed asendisse, milles saate tagasilöögiõududele vastu astuda. Suurima kontrolli saavutamiseks tagasilöögiõudude või reaktsioonimomentide üle kasutage alati lisakäepidet, kui see on olemas. Seadme kasutaja suudab sobivaid ettevaatusabinõusid rakendada tagasilöögi- ja reaktsioonijõudusid kontrollida.

b) Ärge viige oma kätt kunagi pöörlevate tarvikute lähedusse. Tagasilöögi puhul võib tarvik liikuda üle Teie käe.

c) Vältige oma kehaga piirkonda, kuhu seade tagasilöögi puhul liigub. Tagasilöökk viib seadme lihvketta liikumissuunale vastupidises suunas.

d) Eriti ettevaatlikult töötage nurkade, teravate servade jmt piirkonnas. Hoidke ära tarvikute tagasipöörkumise ohtu ja kinnikiildumise. Pöörlev tarvik kaldub nurkades, teravates servades ja tagasipöörkumise korral kinni kiilduma. See põhjustab kontrolli kaotuse seadme üle või tagasilöögi.

e) Ärge kasutage kett- ega hammastatud saeketast. Sellised tarvikud põhjustavad tihti tagasilöögi või kontrolli kaotuse seadme üle.

SE 12-180:

Spetsiifilised ohutusnõuded liivapaberiga lihvimisel

a) Ärge kasutage liiga suurte mõõtetega lihvapabereid, juhendage tootja andmetest lihvapaberi suuruse kohta. Üle lihvalla ulatuvad lihvapaberid võivad põhjustada vigastusi, samuti lihvapaberi kinnijäämist, rebenemist või tagasilööki.

PE 150:

Spetsiifilised ohutusjuhised poleerimiseks

a) Veenduge, et poleerkettal ei oleks lahtisi osi, esmajoones kinnitusnõõre. Peitke või lühendage kinnitusnõõrid. Lahtised kaasapöörlevad kinnitusnõõrid võivad Teie sõrmed kaasa haarata või toorikusse kinni jääda.

Välitingimustes asuvad pistikupesad peavad olema varustatud rikkevoolukaitselülitega (FI, RCD, PRCD). Seda nõutakse Teie elektriseadme installeerimiseeskirjas. Palun pidage meid seadme kasutamisel kinni.

Puru ega pilpaid ei tohi eemaldada masina töötamise ajal.

Masin peab pistikupesaga ühendamisel olema alati väljalülitatud seisundis.

Ärge pange kätt töötava masina ohupiirkonda.

Kasutage alati lisakäepidet.

Lülitage seade välja kohe, kui tekib märgatav vibratsioon või märkate muid puudusi. Kontrollige masin üle, et põhjus kindlaks teha.

Kasutage ja säilitage lihvketaid alati vastavalt valmistaja juhiste.

Metallide lihvimisel tekib sädemeid. Veenduge selles, et inimesed poleks ohustatud. Tuleohu tõttu ei tohi lähedal (sädemete piirkonnas) olla tuleohtlikke materjale. Ärge kasutage tolmu äraimemist.

Hoidke seadet alati nii, et sädemed või lihvimistolm lendaksid kehast eemal.

Ääriku mutter peab enne masina käiklaskmist olema pingutatud.

Töödelday toorik tuleb kinnitada, kui ta ei seisa oma kaaluga. Ärge kunagi juhtige toorikut ketta vastu käega.

Ekstreemsetes tingimustes (nt tugiketta ja vulkaanfiber-lihvkettaga metallide siledaks lihvimine) töötamisel võib nurklihvijasse koguneda rohkesti puru ja prahti. Ohutuse tagamiseks tuleb niisugustes tingimustes töötamisel metallpindu seest korralikult puhastada, tingimata tuleb paigaldada rikkevoolukaitselüliti. Kui rikkevoolukaitselüliti reageerib, tuleb masin saata ülekontrollimisele.

Keermestatud kettaga varustada tulevate lihvimisvahendite puhul tagage kettas oleva keermepiisav pikkus spindli jaoks.

KASUTAMINE VASTAVALT OTSTARBELE

PE 150: Poleerijat saab rakendada lakkide, kattekihtide, plastide ja teiste siledade pealispindade poleerimiseks.

SE 12-180: Lihvija sobib puidu, plasti ja metalli pindade lihvimiseks.

Antud seadet tohib kasutada ainult vastavalt äranäidatud otstarbele.

KÄIVITUSVOOLU PIIRIK + SUJUVKÄIVITUS

Masina sisselülitusvool on nimivoolust mitu korda suurem. Käivitusvoolu piirikuga vähendatakse sisselülitusvoolu sedavõrd, et kaitse (16 A inertkaitse) ei reageeriks.

Turvaliseks käsitsemiseks mõeldud elektrooniline sujuvkäivitus takistab masina järsku käivitumist sisselülitamisel.

ELEKTROONIKA

Elektroonika häälestab koormuse tõusu puhul pöörlemiskiiruse.

Pikema ülekoormuse korral lülitub elektroonika vähendatud pöörlemiskiirusele. Masin töötab mootori mähise jahutamiseks aeglaselt edasi. Pärast välja ja uuesti sisse lülitamist saab masinaga nimikoormusvahemikus edasi töötada.

EÜ VASTAVUSAVALDUS

Me deklareerime ainuisikuliselt vastutades, et lõigus „Tehnilised andmed“ kirjeldatud toode vastab direktiivide 2011/65/EU (RoHS), 2006/42/EÜ, 2004/108/EÜ kõigile olulisele tähtsusega eeskirjadele ning järgmistele harmoneeritud normatiivsetele dokumentidele:

EN 60745-1:2009 + A11:2010
EN 60745-2-3:2011 + A2:2013
EN 55014-1:2006 + A1:2009 + A2:2011
EN 55014-2:1997 + A1:2001 + A2:2008
EN 61000-3-2:2006 + A1:2009+A2:2009
EN 61000-3-3:2008

Winnenden, 2013-01-28

Alexander Krug
Managing Director



On volitatud koostama tehnilist dokumentatsiooni.

Techtronic Industries GmbH
Max-Eyth-Straße 10
71364 Winnenden
Germany

VÕRKU ÜHENDAMINE

Ühendage ainult ühefaasilise vahelduvvooluga ning ainult andmesildil toodud võrgupingega. Ühendada on võimalik ka kaitsekontaktita pistikupesadesse, kuna nende konstruktsioon vastab kaitseklassile II.

HOOLDUS

Hoidke masina õhutuspilud alati puhtad.

Kasutage ainult AEG tarvikuid ja tagavaraosi. Detailid, mille väljavahetamist pole kirjeldatud, laske välja vahetada AEG klientideeninduspunktis (vaadake brošüüri garantii / klientideeninduste aadressid).

Vajadusel saab nõuda seadme plahvatusjoonise võimsussildil oleva masinatüübi ja kuuekohalise numbrilise klienditeeninduspunktist või vahetult firmalt Techtronic Industries GmbH, Max-Eyth-Straße 10, 71364 Winnenden, Germany.

SÜMBOLID



ETTEVAATUST! TÄHELEPANU! OHUD!



Enne kõiki töid masina kallal tõmmake pistik pistikupesast välja.



Palun lugege enne käiklaskmist kasutamisyhend hoolikalt läbi.



Masinaga töötades kandke alati kaitseprille.



Kanda kaitsekindaid!



Ärge kasutage jõudu.



Tarvikud - ei kuulu tarne komplekti, soovitatav täiendus on saadaval tarvikute programmis.



Ärge käidelize kasutuskõlbmatuks muutunud elektrilisi tööriistu koos olmejäätmetega! Vastavalt Euroopa Parlamendi ja nõukogu direktiivile 2002/96/EÜ elektri- ja elektroonikaseadmete jäätmete kohta ning direktiivi nõuete kohaldamisele liikmesriikides tuleb asutuskõlbmatuks muutunud elektrilised tööriistad koguda eraldi ja keskkonnasäästlikult korduskasutada või ringlusse võtta.



Kaitseklassi II elektritööriist. Elektritööriist, mille puhul ei sõltu kaitse mitte üksnes baasisolatsioonist, vaid ka täiendavate kaitsemeetmete nagu topeltisolatsiooni või tugevdatud isolatsiooni kohaldamisest. Mehhanism kaitsejuhi ühendamiseks puudub.



CE-märk

ТЕХНИЧЕСКИЕ ДАННЫЕ Полировальная машина/Зачистная машина	PE 150	SE 12-180
Серийный номер изделия	4095 75 02... 4325 00 02... ...000001-999999	4122 81 02... ...000001-999999
Номинальная выходная мощность.....	1200 W	1200 W
Номинальная мощность (Ватт).....	600 W	600 W
Число оборотов без нагрузки (об/мин).....	900-2500 min ⁻¹	1800-4800 min ⁻¹
Число оборотов без нагрузки (об/мин).....	4700 min ⁻¹	9000 min ⁻¹
Диаметр шлифовального диска	150 mm	180 mm
Резьба шпинделя.....	M 14	M 14
Вес согласно процедуре EPTA 01/2003.....	2,1 kg	2,5 kg

Информация по шумам/вибрации

Значения замерялись в соответствии со стандартом EN 60 745.

Уровень шума прибора, определенный по показателю A, обычно составляет:

Уровень звукового давления (K=3dB(A)).....	82 dB(A)	82 dB(A)
Уровень звуковой мощности (K=3dB(A)).....	93 dB(A)	93 dB(A)

Пользуйтесь приспособлениями для защиты слуха.

Общие значения вибрации (векторная сумма трех направлений) определены в соответствии с EN 60745.

Полирование: значение вибрационной эмиссии a _v	3 m/s ²	- m/s ²
Небезопасность K =	1,5 m/s ²	- m/s ²
шлифовального круга: значение вибрационной эмиссии a _v	- m/s ²	3,3 m/s ²
Небезопасность K =	- m/s ²	1,5 m/s ²

ВНИМАНИЕ

Указанный в настоящем руководстве уровень вибрации измерен в соответствии с технологией измерения, установленной стандартом EN 60745 и может использоваться для сравнения электроинструментов друг с другом. Он также подходит для предварительной оценки вибрационной нагрузки.

Указанный уровень вибрации представляет основные виды использования электроинструмента. Но если электроинструмент используется для других целей, используемый инструмент отклоняется от указанного или технического обслуживания было недостаточным, то уровень вибрации может отклоняться от указанного. В этом случае вибрационная нагрузка в течение всего периода работы значительно увеличивается.

Для точной оценки вибрационной нагрузки необходимо также учитывать время, в течение которого прибор отключен или включен, но фактически не используется. В этом случае вибрационная нагрузка в течение всего периода работы может существенно уменьшиться.

Установите дополнительные меры безопасности для защиты пользователя от воздействия вибрации, например: техническое обслуживание электроинструмента и используемого инструмента, поддержание рук в теплом состоянии, организация рабочих процессов.

⚠ ВНИМАНИЕ! Ознакомьтесь со всеми указаниями по безопасности и инструкциями, в том числе с инструкциями, содержащимися в прилагающейся брошюре. Улучшения, допущенные при соблюдении указаний и инструкций по технике безопасности, могут стать причиной электрического поражения, пожара и тяжелых травм.
Сохраняйте эти инструкции и указания для будущего использования.

РЕКОМЕНДАЦИЯ ПО ТЕХНИКЕ БЕЗОПАСНОСТИ ПОЛИРОВАЛЬНАЯ МАШИНА/ЗАЧИСТНАЯ МАШИНА

Общие предупреждающие указания по шлифованию наждачной бумагой и для полирования:

а) Настоящий электроинструмент предназначен для проволочной щетки (только у моделей PE 150) и применения в качестве шлифовальной машины с наждачной бумагой (только у моделей SE 12-180). Учитывайте все предупреждающие указания, инструкции, иллюстрации и данные, которые Вы получите с электроинструментом. При несоблюдении нижеследующих указаний возможно поражение электротоком, возникновение пожара и/или получение серьезных травм.

б) b) Данный электроинструмент не предназначен для шлифования при помощи наждачной бумаги (только у моделей PE 150), полировки (только у моделей SE 12-180), разделение и черновое шлифование и работе с проволочными щетками. Использование электроинструмента не по назначению может вывести его из строя и нанести травмы.

в) Не применяйте принадлежности, которые не предусмотрены изготовителем специально для настоящего электроинструмента и не рекомендуются им. Только возможность крепления принадлежностей в Вашем

электроинструменте не гарантирует еще его надежного применения.

г) Допустимое число оборотов рабочего инструмента должно быть не менее указанного на электроинструменте максимального числа оборотов. Оснастка, вращающаяся с большей, чем допустимо скоростью, может разорваться и разлететься в пространстве.

д) Наружный диаметр и толщина рабочего инструмента должны соответствовать размерам Вашего электроинструмента. Неправильно соразмеренные рабочие инструменты не могут быть в достаточной степени защищены или контролироваться.

е) Шлифовальные круги, фланцы, шлифовальные тарелки или другие принадлежности должны точно сидеть на шпинделе Вашего электроинструмента. Рабочие инструменты, неточно сидящие на шпинделе электроинструмента, вращаются с биением, сильно вибрируют и могут привести к потере контроля.

ж) Не применяйте поврежденные рабочие инструменты. Проверяйте каждый раз перед использованием рабочие инструменты, как то, шлифовальные тарелки на трещины, риски или сильный износ. После падения электроинструмента или рабочего инструмента проверяйте последний на повреждение и при надобности установите неповрежденный рабочей инструмент. После закрепления рабочего инструмента займите сами и все находящиеся вблизи лица положение за пределами плоскости вращения рабочего инструмента и включите электроинструмент на одну минуту на максимальное число оборотов. Поврежденные рабочие инструменты разрываются, в большинстве случаев, за это время контроля.

з) Применяйте средства индивидуальной защиты. В зависимости от выполняемой работы применяйте

защитный щиток для лица, защитное средство для глаз или защитные очки. Насколько уместно, применяйте противопылевой респиратор, средства защиты органов слуха, защитные перчатки или специальный фартук, которые защищают Вас от абразивных частиц и частиц материала. Глаза должны быть защищены от летающих в воздухе посторонних тел, которые возникают при выполнении различных работ. Противопылевой респиратор или защитная маска органов дыхания должны задерживать возникающую при работе пыль. Продолжительное воздействие сильного шума может привести к потере слуха.

и) Следите за тем, чтобы все лица находились на безопасном расстоянии к Вашему рабочему участку. Каждое лицо в пределах рабочего участка должно иметь средства индивидуальной защиты. Осколки детали или разорванных рабочих инструментов могут отлететь в сторону и стать причиной травм также и за пределами непосредственного рабочего участка.

й) Держите электроинструмент только за изолированные поверхности рукояток, если Вы выполняете работы, при которых рабочий инструмент может попасть на скрытую электропроводку или на собственный шнур подключения питания. Контакт с токоведущим проводом ставит под напряжение также металлические части электроинструмента и ведет к поражению электрическим током.

к) Держите шнур подключения питания в стороне от вращающегося рабочего инструмента. Если Вы потеряете контроль над инструментом, то шнур подключения питания может быть перерезан или захвачен вращающейся частью и Ваша кисть или рука может попасть под вращающийся рабочий инструмент.

л) Никогда не выпускайте электроинструмент из рук, пока рабочий инструмент полностью не остановится. Вращающийся рабочий инструмент может зацепиться за опорную поверхность и в результате Вы можете потерять контроль над электроинструментом.

м) Выключайте электроинструмент при транспортировании. Ваша одежда может быть случайно захвачена вращающимся рабочим инструментом и последний может нанести Вам травму.

н) Регулярно очищайте вентиляционные прорези Вашего электроинструмента. Вентилятор двигателя затягивает пыль в корпус и большое скопление металлической пыли может привести к электрической опасности.

о) Не пользуйтесь электроинструментом вблизи горючих материалов. Искры могут воспламенить эти материалы.

п) Не применяйте рабочие инструменты, требующие применение охлаждающих жидкостей. Применение воды или других охлаждающих жидкостей может привести к поражению электротоком.

Обратный удар и соответствующие предупреждающие указания

Обратный удар это внезапная реакция в результате заедания или блокирования вращающегося рабочего инструмента, как то, шлифовального круга, шлифовальной тарелки, проволочной щетки и т. д., ведущая к резкому останову вращающегося рабочего инструмента. При этом неконтролируемый электроинструмент ускоряется на месте блокировки против направления вращения рабочего инструмента. Если шлифовальный круг заедает или блокирует в заготовке, то погруженная в заготовку кромка шлифовального круга может быть зажата и в результате привести к выскакиванию круга из заготовки или к обратному удару. При этом шлифовальный круг движется на оператора или от него, в зависимости от направления вращения круга на месте блокирования. Обратный удар является следствием неправильного использования электроинструмента или ошибки оператора. Он может быть предотвращен описанными ниже мерами предосторожности.

а) Крепко держите электроинструмент и займите Вашим телом и руками положение, в котором Вы можете противодействовать обратным силам. При нажатии,

всегда применяйте дополнительную рукоятку, чтобы как можно лучше противодействовать обратным силам или реакционным моментам при наборе оборотов. Оператор может подходящими мерами предосторожности противодействовать силам обратного удара и реакционным силам.

б) Ваша рука никогда не должна быть вблизи вращающегося рабочего инструмента. При обратном ударе рабочий инструмент может пойти по Вашей руке.

в) Держитесь в стороне от участка, в котором при обратном ударе будет двигаться электроинструмент. Обратный удар ведет электроинструмент в противоположном направлении к движению шлифовального круга в месте блокирования.

г) Особенно осторожно работайте на углах, острых кромках и т. д. Предотвращайте отскок рабочего инструмента от заготовки и его заклинивание. Вращающийся рабочий инструмент склонен на углах, острых кромках и при отскоке к заклиниванию. Это вызывает потерю контроля или обратный удар.

д) Не применяйте пыльные цепи или пыльные полотна. Такие рабочие инструменты часто становятся причиной обратного удара или потери контроля над электроинструментом.

SE 12-180:

Spetsiifilised ohutusjuhised poleerimiseks

a) Veenduge, et poleerkettal ei oleks lahtisi osi, esmajoones kinnitusnõõre. Peitke või lühendage kinnitusnõõrid. Lahtised kaasapöörelvad kinnitusnõõrid võivad Teile sõrmed kaasa haarata või toorkusse kinni jääda.

PE 150:

Spetsiifilised ohutusjuhised poleerimiseks

a) Veenduge, et poleerkettal ei oleks lahtisi osi, esmajoones kinnitusnõõre. Peitke või lühendage kinnitusnõõrid. Lahtised kaasapöörelvad kinnitusnõõrid võivad Teile sõrmed kaasa haarata või toorkusse kinni jääda.

Электроприборы, используемые во многих различных местах, в том числе на открытом воздухе, должны подключаться через устройство, предотвращающее резкое повышение напряжения (FI, RCD, PRCD).

Не убирайте опилки и обломки при включенном инструменте.

Вставляйте вилку в розетку только при выключенном инструменте.

Никогда не касайтесь опасной режущей зоны в момент работы.

Всегда пользуйтесь дополнительной рукояткой.

Немедленно выключайте машину если почувствовали осязаемую вибрацию или при других неисправностях. Проверьте инструмент чтобы обнаружить причину неисправности.

Всегда используйте и храните шлифовальные диски в соответствии с инструкциями производителя.

Необходимо следить за тем, чтобы искры, вылетающие с обрабатываемой поверхности, не попадали на воспламеняющиеся материалы.

Следите чтобы искры или образующаяся при работе пыль не попадали на Вас.

Перед включением инструмента затяните зажимную гайку.

Если изделие не достаточно тяжелое и неустойчивое, то его необходимо закрепить. Никогда не подносите изделие к шлифовальному диску, держа его в руках.

При предельных условиях эксплуатации (напр., при гладкой шлифовке металлов с опорным диском и шлифовальным кругом из вулканизированной фибры) может образоваться сильное загрязнение во внутренней части угловой шлифовальной машинки. При таких условиях эксплуатации из соображений безопасности необходима основательная очистка внутренней части от

опложен металла и принудително предварително включение защитного выключателя тока утечки (FI). После срабатывания защитного выключателя FI следует отправить машинку в ремонт.

Предназначается для инструментов, которые могут использоваться с кругами, оснащенными резьбовым отверстием, причем длина резьбы должна соответствовать длине шпинделя.

ИСПОЛЬЗОВАНИЕ

PE 150: Полировщик может быть использован для полировки лаков, облицовки, пластика и других гладких поверхностей.

SE 12-180: Шлифовальная машина может использоваться для шлифования деревянных, пластиковых и металлических поверхностей.

Не пользуйтесь данным инструментом способом, отличным от указанного для нормального применения.

ЭЛЕКТРОНИКА + ПЛАВНЫЙ СТАРТ

Стартовый ток при запуске машины в несколько раз выше чем номинальный ток. Ограничитель стартового тока ограничивает ток до значений исключающих срабатывание предохранителя (16А)

Плавный старт для безопасной работы предотвращает резкое включение инструмента.

ЭЛЕКТРОНИКА

При увеличении нагрузки скорость вращения регулируется электроникой.

Если перегрузка продолжается в течение длительного времени, то электросистема переключается на пониженное число оборотов. Инструмент будет продолжать медленно работать, чтобы дать мотору остыть. После достаточного остывания инструмент можно включить снова, предварительно выключив его.

ДЕКЛАРАЦИЯ О СООТВЕТСТВИИ СТАНДАРТАМ ЕС

Мы заявляем под собственную ответственность, что изделие, описанное в разделе „Технические характеристики“, соответствует всем важным предписаниям Директивы 2011/65/EU (Директива об ограничении применения опасных веществ в электрических и электронных приборах), 2006/42/ЕС, 2004/108/ЕС и приведенным далее гармонизированным нормативным документам:

EN 60745-1:2009 + A11:2010
EN 60745-2-3:2011 + A2:2013
EN 55014-1:2006 + A1:2009 + A2:2011
EN 55014-2:1997 + A1:2001 + A2:2008
EN 61000-3-2:2006 + A1:2009+A2:2009
EN 61000-3-3:2008

Winnenden, 2013-01-28



Alexander Krug
Managing Director



Уполномочен на составление технической документации.

Techtronic Industries GmbH
Max-Eyth-Straße 10
71364 Winnenden
Germany

ПОДКЛЮЧЕНИЕ К ЭЛЕКТРОСЕТИ

Подсоединять только к однофазной сети переменного тока с напряжением, соответствующим указанному на инструменте. Электроинструмент имеет второй класс защиты, что позволяет подключать его к розеткам электропитания без заземляющего вывода.

ОБСЛУЖИВАНИЕ

Всегда держите охлаждающие отверстия чистыми.

Пользуйтесь аксессуарами и запасными частями только фирмы AEG. В случае возникновения необходимости в замене, которая не была описана, пожалуйста, обращайтесь на один из сервисных центров (см. список наших гарантийных/сервисных организаций).

При необходимости, у сервисной службы или непосредственно у фирмы Techtronic Industries GmbH, Max-Eyth-Straße 10, 71364, Winnenden, Германия, можно запросить сборочный чертеж устройства, сообщив его тип и шестизначный номер, указанный на фирменной табличке.

СИМВОЛЫ



ВНИМАНИЕ! ПРЕДУПРЕЖДЕНИЕ!
ОПАСНОСТЬ!



Перед выполнением каких-либо работ по обслуживанию инструмента всегда вынимайте вилку из розетки.



Пожалуйста, внимательно прочтите инструкцию по использованию перед началом любых операций с инструментом.



При работе с инструментом всегда надевайте защитные очки.



Надевать защитные перчатки!



Не применяйте силу



Принадлежности - В стандартную комплектацию не входит, поставляется в качестве дополнительной принадлежности.



Не выбрасывайте электроинструмент с бытовыми отходами! Согласно Европейской директиве 2002/96/ЕС по отходам от электрического и электронного оборудования и соответствующим нормам национального права вышедшие из употребления электроинструменты подлежат сбору отдельно для экологически безопасной утилизации.



Электроинструмент с классом защиты II. Электроинструмент, в котором защита от электрического удара зависит не только от основной изоляции, но и от того, что принимаются дополнительные защитные меры, такие как двойная изоляция или усиленная изоляция. Нет устройства для подключения защитного провода.



Знак CE



Соответствие техническому регламенту



Национальный знак відповідності України

TR 066

ТЕХНИЧЕСКИ ДАННИ

Полировачна машина/Шлайфмашина	PE 150	SE 12-180
Производствен номер.....	4095 75 02.....	4122 81 02.....
.....	4325 00 02.....000001-999999
.....000001-999999		
Номинална консумирана мощност.....	1200 W.....	1200 W
Отдавана мощност (W).....	600 W.....	600 W
Обороти на празен ход.....	900-2500 min ⁻¹	1800-4800 min ⁻¹
Макс. обороти на празен ход.....	4700 min ⁻¹	9000 min ⁻¹
Ø на абразивните дискове.....	150 mm.....	180 mm
Резба на шпиндела.....	M 14.....	M 14
Тегло съгласно процедурата EPTA 01/2003.....	2,1 kg.....	2,5 kg

Информация за шума/вибрациите

Измерените стойности са получени съобразно EN 60 745.

Оцененото с А ниво на шума на уреда е съответно:

Ниво на звукова мощност (K=3 dB(A)).....	82 dB(A).....	82 dB(A)
Ниво на звукова мощност (K=3 dB(A)).....	93 dB(A).....	93 dB(A)

Да се носи предпазно средство за слуха!

Общите стойности на вибрациите (векторна сума на три посоки) са определени в съответствие с EN 60745.

Полиране: стойност на емисии на вибрациите a_h..... 3 m/s²..... - m/s²

Несигурност K = 1,5 m/s²..... - m/s²

Шлайфане/пластмасови шлифовни дискове: стойност на емисии на вибрациите a_w..... - m/s²..... 3,3 m/s²

Несигурност K = - m/s²..... 1,5 m/s²

ВНИМАНИЕ

Посоченото в тези инструкции ниво на вибрациите е измерено в съответствие със стандартизиран в EN 60745 измервателен метод и може да се използва за сравнение на електрически инструменти помежду им. Подходящ е и за временна оценка на вибрационното натоварване.

Посоченото ниво на вибрациите представя основните приложения на електрическия инструмент. Ако обаче електрическият инструмент се използва с друго предназначение, с различни сменяеми инструменти или при недостатъчна техническа поддръжка, нивото на вибрациите може да е различно. Това чувствително може да увеличи вибрационното натоварване по време на целия работен цикъл.

За точната оценка на вибрационното натоварване трябва да се вземат предвид и периодите от време, в които уредът е изключен или работи, но в действителност не се използва. Това чувствително може да намали вибрационното натоварване по време на целия работен цикъл.

Определете допълнителни мерки по техника на безопасност в защита на обслужващия работник от въздействието на вибрациите като например: техническа поддръжка на електрическия инструмент и сменяемите инструменти, поддръжане на ръцете топли, организация на работния цикъл.

⚠ ВНИМАНИЕ! Прочетете указанията за безопасност и съветите в приложената брошура. Неспазването на приведените по-долу указания може да доведе до токов удар, пожар и/или тежки травми.

Съхранявайте тези указания на сигурно място.

СПЕЦИАЛНИ УКАЗАНИЯ ЗА БЕЗОПАСНОСТ ПОЛИРОВАЧНА МАШИНА/ШЛАЙФМАШИНА

Общи указания за безопасна работа при шлифване с шкурка и полиране:

а) Този електроинструмент може да се използва за полиране (само при PE 150) и шлифване с шкурка (само при SE 12-180). Спазвайте всички указания и предупреждения, съобразявайте се с приведените технически параметри и изображения. Ако не спазвате посочените по-долу указания, последствията могат да бъдат токов удар, пожар и/или тежки травми.

б) Този електроинструмент не е подходящ за шлайфане с шкурка (само при PE 150), за полиране (само при SE 12-180), рязане и грубо шлайфане и работа с телена четка. Ако се използва за цели, за които не е предвиден, този електроуред може да доведе до опасност и наранявания.

в) Не използвайте допълнителни приспособления, които не се препоръчват от производителя специално за този електроинструмент. Фактът, че можете да закрепите към машината определено приспособление или работен инструмент, не гарантира безопасна работа с него.

г) Допустимата скорост на въртене на работния инструмент трябва да е най-малкото равна на изписаната на табелката на електроинструмента максимална скорост на въртене. Работни инструменти,

които се въртят с по-висока скорост от допустимата, могат да се счупят и парчета от тях да отхвърчат с висока скорост.

д) Външният диаметър и дебелината на работния инструмент трябва да съответстват на данните, посочени в техническите характеристики на Вашия електроинструмент. Работни инструменти с неподходящи размери не могат да бъдат екранирани по необходимия начин или да бъдат контролирани достатъчно добре.

е) Шлифоващите дискове, фланци, подложните дискове или другите приложни инструменти трябва да пасват точно на вала на Вашия електроинструмент. Работни инструменти, които не пасват точно на вала на електроинструмента, се въртят неравномерно, вибрират силно и могат да доведат до загуба на контрол над машината.

ж) Не използвайте повредени работни инструменти. Преди всяка употреба проверявайте работните инструменти, подложните дискове за пукнатини или силно износване. Ако изтървете електроинструмента или работния инструмент, ги проверявайте внимателно за уреждания или използвайте нови неповредени работни инструменти. След като сте проверили внимателно и сте монтирали работния инструмент, оставете електроинструмента да работи на максимални обороти в продължение на една минута; стойте и дръжте намиращи се наблизо лица встрани от равнината на въртене. Най-често повредени работни инструменти се чупят през този тестов период.

з) Работете с лични предпазни средства. В зависимост от приложението работете с цяла маска за лице, защита за очите или предпазни очила. Ако е необходимо, работете с дихателна маска, шумозаглушители (антифони), работни обувки или специализирана престилка, която Ви предпазва от

技术数据	抛光机/磨机	PE 150	SE 12-180
生产号.....		4095 75 02...	4122 81 02...
		4325 00 02...	000001-999999
		...000001-999999	
输入功率.....		1200 W.....	1200 W
输出功率.....		600 W.....	600 W
无负载转速.....		900-2500 min ⁻¹	1800-4800 min ⁻¹
最高无负载转速.....		4700 min ⁻¹	9000 min ⁻¹
磨片直径.....		150 mm.....	180 mm
主轴螺纹.....		M 14.....	M 14
重量符合EPTA—Procedure01/2003.....		2,1 kg.....	2,5 kg

噪声/振动信息
本测量值符合 EN 60745 条文的规定。
器械的标准A-值噪音级为：
音压值 (K = 3 dB(A))..... 82 dB(A)..... 82 dB(A)
音量值 (K = 3 dB(A))..... 93 dB(A)..... 93 dB(A)
请戴上护耳罩！

依欧盟EN 60745 标准确定的振荡总值（三方向矢量和）。
抛光: ah-振荡发射值..... 3 m/s²..... - m/s²
K-不可靠性..... 1,5 m/s²..... - m/s²
用塑料盘研磨: ah-振荡发射值..... - m/s²..... 3,3 m/s²
K-不可靠性 = - m/s²..... 1,5 m/s²

注意
本规程列出的依欧盟EN 60745 标准一项标准测量方法测量的振荡级也可用于电动工具比较并适合于临时振荡负荷估计。
该振荡级代表电动工具的主要应用。电动工具的其他应用，不正确的工作工具或缺欠维护可造成振荡级偏差。此可明确提高总工作期间的振荡负荷。
正确地估计一定工作期间的振荡负荷也要考虑到工具关闭或接通而不使用的期间。此可明确减少总工作期间的振荡负荷。
为提高操作人员对振荡作用的保护得规定补充安全措施：电动工具及工作工具的维护，温手，工作过程组织等。

注意！ 务必仔细阅读所有安全说明和安全指示（应仔细阅读附上的小册子）。如未确实遵循警告提示和指示，可能导致电击、火灾并且/或其他的严重伤害。
妥善保存所有的警告提示和指示，以便日后查阅。

特殊安全指示 抛光机/磨机

- 砂纸研磨，抛光作业和切割作业的警告事项：**
- a) 本电动工具可以充当研砂纸研刨光机（只在PE 150）、磨机（只在SE 12-180）。务必遵循所有与电动工具有关的警告提示、操作说明、描述和数据。如果忽视以下的指示，可能遭受电击，造成火灾甚至受重伤。**
- b) 本电动工具不适用于砂纸研磨和（只在PE 150）抛光工作（只在SE 12-180），切割和粗磨，金属丝刷作业和砂轮切割作业的警告事项。** 将本电动工具用于不适合的目的可致人员重伤的风险。
- c) 不可以使用未经製造厂商指定或推荐的附件。** 即使您能够将此类附件固定在机器上，仍然无法确保操作安全。
- d) 所选用的磨具的许可转速，不可以低于电动工具的最高转速。** 机器的转速如果超出磨具的许可范围会损毁磨具，甚至磨具会从机器上飞开。
- e) 工具的外直径与厚度必须能够配合电动工具的尺寸。** 使用了大小不合的工具，不仅防护罩无法正确地发挥保护功能，甚至会造成机器失控。
- f) 砂轮，法兰，磨盘或其他附件必须与电动工具的砂轮轴完全吻合。** 如果磨具和电动工具的砂轮轴之间有隙隙，不仅磨具无法均匀旋转，转动时甚至会强烈震动，进而造成机器失控。
- g) 不可以使用损坏的工具。** 使用前先详细检查工具，检视磨盘是否已经出现裂痕，或强烈磨损。如果电动工具或工具掉落地面，务必检查机器、工具是否摔毁了，为了安全起见也可以选用其它的完好工具。检查並安装好工具之后，您本身以及您附近的人都必须远离转动中的工具。接著让电动工具以最高转速旋转一分钟。损坏的工具大多会在这段测试时间内断裂。
- h) 穿戴好您个人的防护装备。** 根据用途选择合适的面具、眼罩或护目镜。视情况佩戴防尘面具、耳罩、防护手套或能够隔离细磨屑和金属碎片的特殊工作围裙。避免让操作机器时

- 产生的飞动异物侵入眼睛。防全面具或防毒面具必须能够过滤工作时产生的粉尘。长期曝露在高噪音的环境中，听力可能受损。
 - i) 与工作无关的人必须和工地保持安全距离。进入工作范围的人都必须穿戴好防护装备。** 工件的碎片或断裂的工具也可能飞离机器的操作地点，进而伤害工作范围以外的人。
 - j) 如果工作时可能切断隐藏的电线或机器本身的电源线，那麼一定要握紧绝缘手柄操作机器。** 电动工具如果接触了带电的线路，机器上的金属部件会导电，並可能造成操作者触电。
 - k) 机器的电源线必须远离自转中的工具。** 如果一时无法掌控机器，电源线可能被割断或卷入机器中，而您的手或手臂也可能被转动中的工具割伤。
 - l) 在工具尚未完全静止之前，千万不可以放下电动工具。** 处于自转状态的工具如果接触工作桌面，会产生机器失控的情况。
 - m) 携带电动工具时，切勿开动机器。** 您的衣服或头髮可能因为一时疏忽而被卷入自转的工具中，甚至工具会割伤您的身体。
 - n) 定期清洁电动工具的通风孔。** 发动机会把灰尘吸入机壳中，机器中如果堆积了大量的金属尘容易造成触电。
 - o) 不可以易燃材料的附近使用电动工具。** 火花可能点燃这些材料。
 - p) 勿选择必须使用液态冷却剂的工具。** 使用水或液态冷却剂容易导致触电。
- 回击和有关的警告事项**
运转中的工具，例如砂轮、磨盘和钢丝刷等，如果突然被卡住或堵住了，会造成突发性的反弹效应，这个反弹效应被称为回击。转动中的工具如果被堵住了或卡住了会突然停止转动，此时失去控制的电动工具会朝著工具转向的相反方向弹开。
如果砂轮在工件中被卡住或堵住了，陷在工件中的砂轮缘会被绊住，並造成砂轮断裂或产生回击。此时砂轮可能会朝著操作者移动，或飞离操作者，砂轮的移动方向是由砂轮在被阻挡处的转向决定。

- 未按照规定使用电动工具或者操作不当，都会造成回击。确实遵守下列各防范措施可预防回击。
- a) 牢牢地握住电动工具。握持机器和操作机器的姿态必须能够抵挡回击。如果机器配备了辅助手柄，一定要握著辅助手柄操作机器，如此才能有效控制回击，並且掌握开动机器时产生的反应扭力。** 採取合适的预防措施 便能够有效控制回击力道和反应力。
- b) 手不可以靠近转动中的工具。** 产生回击时工具可能割伤您的手。
- c) 身体必须远离电动工具的回击范围。** 发生回击时，电动工具会朝著砂轮转向的相反方向弹开。
- d) 在角落和锋利的边缘上工作时必须特别小心。避免让工具回弹或是被工件夹住。转动中的工具容易被夹在角落或锋利的边缘上。** 如果发生上述状况，可能无法控制机器或者造成机器回击。
- e) 不可以使用锯齿或齿状磨片。** 使用此类工具容易造成回击，也容易发生机器失控的情况。

SE 12-180: 有关砂纸研磨的特殊警告事项

- a) 不可以使用过大的砂磨纸。请按照机器製造商提供的尺寸，选购合适的砂磨纸。** 砂磨纸如果突出磨盘之外可能引起伤害或堵住磨盘。而且过大的砂磨纸容易被扯破甚至还会造成机器回击。

PE 150: 有关抛光的特别警告事项

- a) 抛光罩上不可以有任何松脱的部件，特别是抛光罩的固定绳索。更换或剪短过长的固定绳索。松脱或随著机器旋转的固定绳索可能缠住您的手指，或被卷入转动的工具中。**
- 户外插座必须连接剩余电流防护开关。这是使用电器用品的基本规定。使用本公司机器时，务必遵守这项规定（FI, RCD, PRCD）。
- 如果机器仍在运转，切勿清除其上的木屑或金属碎片。
- 确定机器已经关闭了才可以插上插头。
- 请和运转中的机器保持安全距离。
- 务必使用辅助把手。
- 如果机器强烈震动或出现其它毛病，必须马上关闭机器。详细检查机器以找出故障的原因。
- 根据磨盘製造商提供的指示操作、储藏磨盘。
- 研磨金属时会产生火花。勿让喷溅的火花伤害旁关者。为了预防火灾，工作范围内（火花的喷溅范围内）不可堆放易燃物品。不可以使用吸尘装置。
- 握持机器时请注意，勿让火花或研磨屑喷到身上。
- 使用机器之前必须先收紧法兰螺母。
- 如果工件无法靠本身的重量站稳，则必须使用固定装置夹紧工件。割锯时切勿用手握持工件。

在某些极端的使用状况下（例如用支撑磨盘和纤维板磨盘研磨金属表面），会在角磨机的内部囤积大量污垢。基于安全的理由，必须彻底清除机器内部的金属堆积物，并且要在机器上连接剩余电流（FI）防护开关。如果剩余电流防护开关发出警告讯号，要尽快把机器交给合格修理厂修理。
使用有螺纹安装孔的磨盘时必须注意，安装孔上螺纹的长度必须能够配合主轴的长度。

正确地使用机器

- PE 150:** 本抛光机可以用来抛光油漆表层、保护漆层、塑料以及其它平滑的表面。
- SE 12-180:** 本研磨机适合在木材、塑料和墙壁上进行表面磨平作业。请依照本说明书的指示使用此机器。

起动的电流限制功能 + 缓速启动装置

机器启动时需要的电流远超过额定输入电流。起动的电流限制装置能够降低起动的电流，如此可以避免烧断保险丝（16 安培保险丝）。

电子缓速启动装置可以避免机器猛然启动，让使用者能够握稳机器安全操作。

电子











当负荷不断增加时，电子装置会自动调节转速。
机器如果长期处在超荷状况下，电子装置会降低转速。此时机器以低转速继续转动，以便冷却马达线圈。在关闭机器并再度开动机器后，可以在额定负荷范围内继续操作机器。

维修

机器的通气孔必须随时保持清洁。
只能使用 AEG 的配件和零件。缺少检修说明的机件如果损坏了，必须交给 AEG 的顾客服务中心更换（参考手册“保证书 / 顾客服务中心地址”）。

如果需要机器的分解图，可以向您的顾客服务中心或直接向 Techtronic Industries GmbH, Max-Eyth-Straße 10, 71364 Winnenden, Germany 联络。案件时必须提供以下资料: 机型和机器铭牌上的六位数字号码。

符号

	请注意!警告!危险!
	在机器上进行任何修护工作之前，务必从插座上拔出插头。
	使用本机器之前请仔细阅读使用说明书。
	操作机器时务必佩戴护目镜。
	请戴好工作手套!
	不要加力。
	配件 - 不包含在供货范围中。请另外从配件目录选购。
	不可以把损坏的电动工具丢弃在家庭垃圾中! 根据被欧盟各国引用的有关旧电子机器的欧洲法规2002/96/EC，必须另外收集旧电子机器，並以符合环保规定的方式回收再利用。
	保护等级II工具。具有不只依赖于基本绝缘，但依赖于双重或强化绝缘等保护措施电击保护的电动工具。没有连接保护线的装置。
	欧洲共同体标志

AEG

POWERTOOLS

www.aeg-pt.com

(01.14)
4931 4145 27



Techtronic Industries GmbH
Max-Eyth-Straße 10
71364 Winnenden
Germany