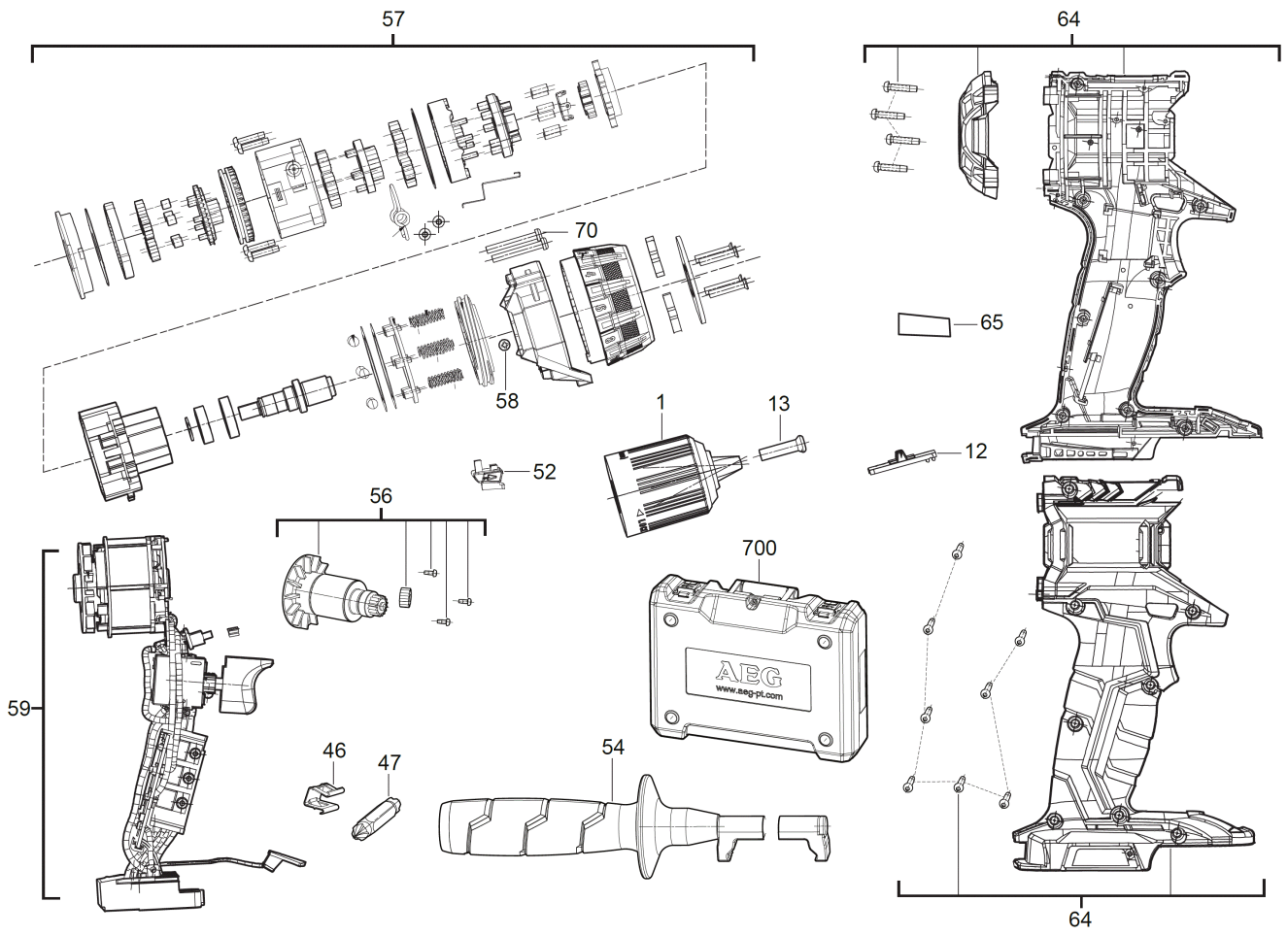


# BS18CBLLI-202C BTY.PERCUSS.DRILL IN2

4935448768 - BS18CBLLI-202C IN2 - 4000448769





Position	Quantity	Description	Part number	EAN
0001	1	CHUCK	4931453061	4002395155057
0012	1	ADJUSTING BUTTON	4931453062	4002395155064
0013	1	SCREW	4931453063	4002395155071
0046	1	BIT HOLDER	630206001	4002395819164
0047	1	SCREWDRIVER BIT	670820066	4002395819195
0052	1	ADJUSTING BUTTON	4931453064	4002395155088
0054	1	AUXILIARY HANDLE	4931453065	4002395155095
0056	1	MOTOR	4931453066	4002395155705
0057	1	GEAR BOX	4931453067	4002395155712
0058	1	SCREW	4931453068	4002395155729
0059	1	SWITCH ASSEMBLY	4931453069	4002395155736
0064	1	HOUSING	4931453070	4002395155743
0065	1	RATING PLATE	4931453071	4002395155750
0070	2	SCREW	660031022	4002395856596
0700	1	CARRYING CASE	4931453072	4002395155767
	2	L1820R BATTERY PACK XXX	4932430169	4002395378302