

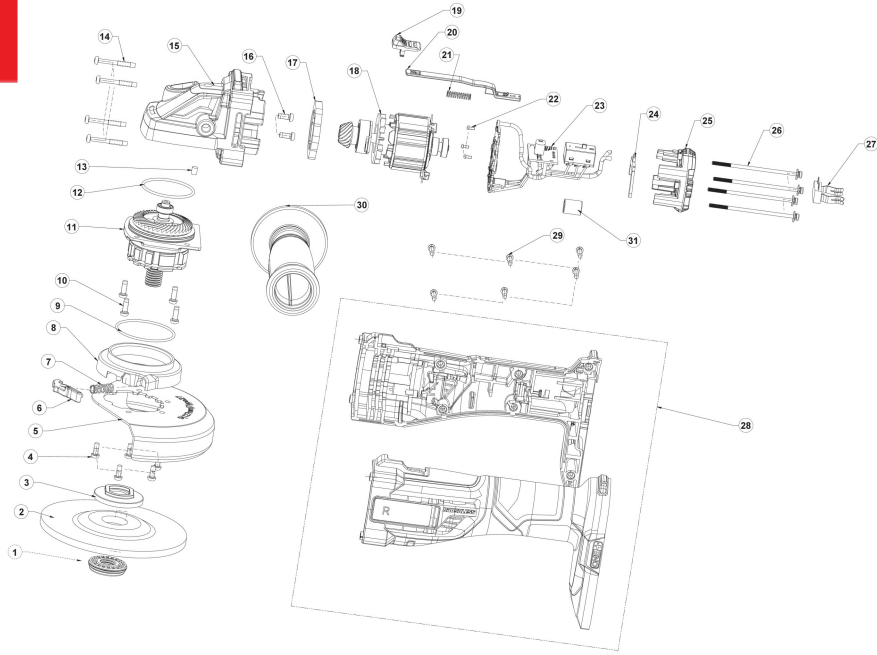
R18AG7-0 BL Grinder XXX

5133002852 - R18AG7-0 BL - 4000462324





4000462324



Position	Quantity	Description	Part number	EAN
1001	1	CLAMPING FLANGE	5131041173	4058546064372
1003	1	HOLDING DISC	5131041174	4058546064389
1004	5	SCREW	5131041175	4058546064396
1005	1	GUARD CAP	5131041176	4058546064402
1006	1	CLAMPING LEVER	5131041177	4058546064419
1007	1	SPRING	5131041178	4058546064426
1008	1	SPACER	5131041179	4058546064433
1009	1	O-RING	5131041180	4058546064440
1010	4	SCREW	5131030409	4058546124649
1011	1	OFFSET GEAR	5131041181	4058546064457
1012	1	O-RING	5131041182	4058546064464
1013	1	RUBBER BUFFER	5131041183	4058546064471
1014	4	SCREW	5131041184	4058546064488
1015	1	GEAR HEAD	5131041185	4058546064495
1016	2	SCREW	5131033591	4002395148042
1017	1	SPACER	5131041186	4058546064501
1018	1	MOTOR	5131041187	4058546064518
1019	1	TRIGGER	5131041188	4058546064525
1020	1	BUTTON	5131041189	4058546064532
1021	1	SPRING	5131041190	4058546064549
1022	3	SCREW	5131041191	4058546064556
1023	1	ELECTRONIC	5131041192	4058546064563
1024	1	DUST SEAL	5131041193	4058546064570
1025	1	COVER	5131041194	4058546064587
1026	4	SCREW	5131041195	4058546064594
1027	1	CONTACT	5131035714	4058546151171
1028	1	HOUSING	5131041196	4058546064600
1029	6	SCREW	5131033012	4002395156924
1030	1	HANDLE	5131041197	4058546064617
1031	1	CYLINDER	5131041242	4058546065065
1002	1	RAK6AGD125 6pc Grinding kit XXX	5132003149	4892210144645