

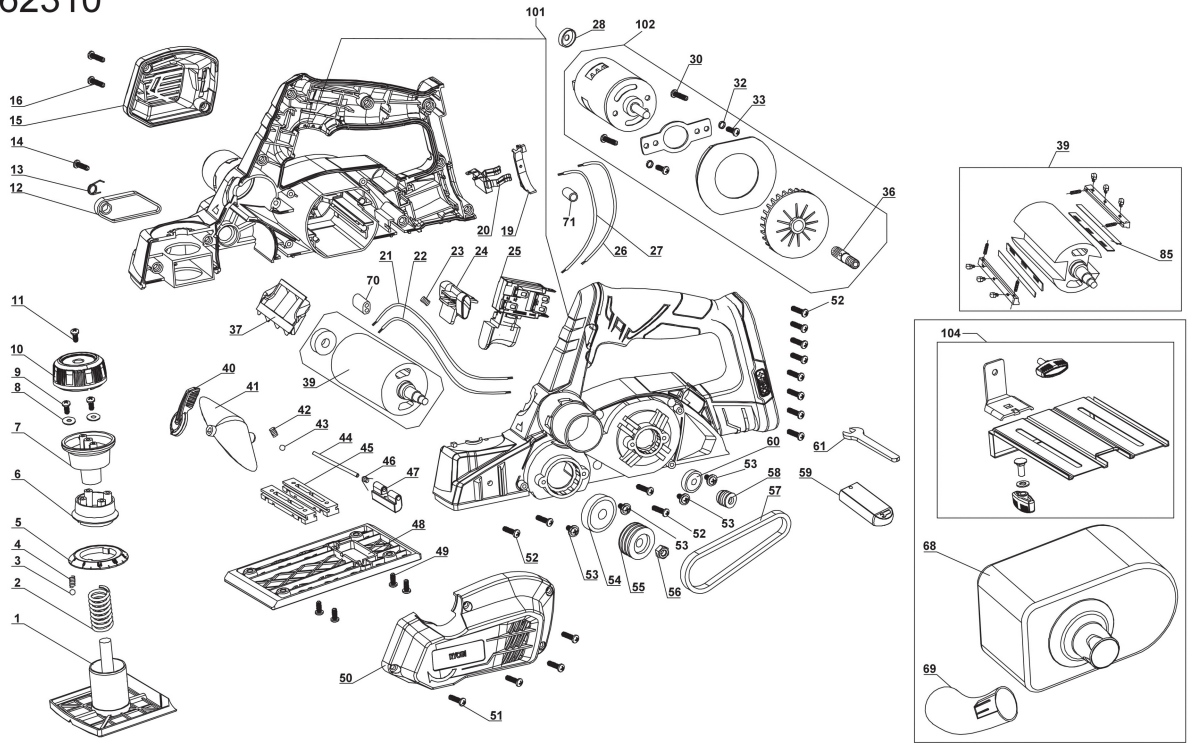
# R18PL-0 18V Planer XXX

5133002921 - R18PL-0 - 4000462310





4000462310



Position	Quantity	Description	Part number	EAN
1001	1	DISTANCE HOLDER	5131041011	4058546062750
1002	1	SPRING	5131041012	4058546062767
1003	1	BALL	5131041013	4058546062774
1004	1	SPRING	5131041014	4058546062781
1005	1	INDICATOR SET	5131041015	4058546062798
1006	1	HOLDING DEVICE	5131041016	4058546062804
1007	1	ACCEPTANCE	5131041017	4058546062811
1008	2	WASHER	5131041018	4058546062828
1009	2	SCREW	5131041019	4058546062835
1010	1	TURNING KNOB	5131041020	4058546062842
1011	1	SCREW	5131041019	4058546062835
1012	1	RABBET	5131041021	4058546062859
1013	1	SPRING	5131041022	4058546062866
1014	1	SCREW	5131041023	4058546062873
1015	1	COVER	5131041024	4058546062880
1016	2	SCREW	5131041019	4058546062835
1019	1	GUIDE PIECE	5131041025	4058546062897
1020	1	CONNECTOR	5131029520	4058546119461
1021	1	WIRE	5131041026	4058546062903
1022	1	WIRE	5131041027	4058546062910
1023	1	SPRING	5131041028	4058546062927
1024	1	TRIGGER	5131041029	4058546062934
1025	1	SWITCH	5131041030	4058546062941
1026	1	WIRE	5131041031	4058546062958
1027	1	WIRE	5131041032	4058546062965
1028	1	RUBBER SLEEVE	5131041033	4058546062972
1030	2	SCREW	5131041034	4058546062989
1032	2	SPRING WASHER	5131041035	4058546062996
1033	2	SCREW	5131041036	4058546063009
1036	1	CONNECTING SHAFT	5131041037	4058546063016
1037	1	DUST GUARD CAP	5131041038	4058546063023
1039	1	PLANER SHAFT	5131041039	4058546063030
1040	1	LEVER	5131041040	4058546063047
1041	1	SWITCH	5131041041	4058546063054
1042	1	SPRING	5131041014	4058546062781
1043	1	BALL	5131041042	4058546063061
1044	1	PIN	5131041043	4058546063078
1045	2	INTERMEDIATE FLANGE	5131041044	4058546063085
1046	1	SPRING	5131041045	4058546063092
1047	1	PROTECTION LEVER	5131041046	4058546063108
1048	1	BASE PLATE	5131041047	4058546063115
1049	4	SCREW	5131041048	4058546063122
1050	1	COVER	5131041049	4058546063139
1051	4	SCREW	5131041019	4058546062835
1052	12	SCREW	5131041019	4058546062835
1053	4	SCREW	5131041023	4058546062873
1054	1	BEARING	5131041050	4058546063146
1055	1	PULLEY	5131041051	4058546063153
1056	1	NUT	5131041052	4058546063160
1057	1	BELT	5131041053	4058546063177

Position	Quantité	Désignation	Référence	EAN
1058	1	PULLEY	5131041054	4058546063184
1059	1	SPANNER	5131041055	4058546063191
1060	1	BEARING	5131041056	4058546063207
1061	1	WRENCH	5131041057	4058546063214
1068	1	DUST BAG	5131041058	4058546063221
1069	1	CONNECTOR	5131041059	4058546063238
1070	1	FERRITE BEAD NI-ZN	5131000000	
1071	1	FERRITE BEAD	5131032921	4058546139575
1101	1	HOUSING	5131041061	4058546063252
1102	1	MOTOR ASSEMBLY	5131041062	4058546063269
1104	1	EDGE GUIDE KIT	5131041063	4058546063276
1085	1	PB82A2 PLANER BLADES 82MM 2PCS	5132002597	4892210120861