

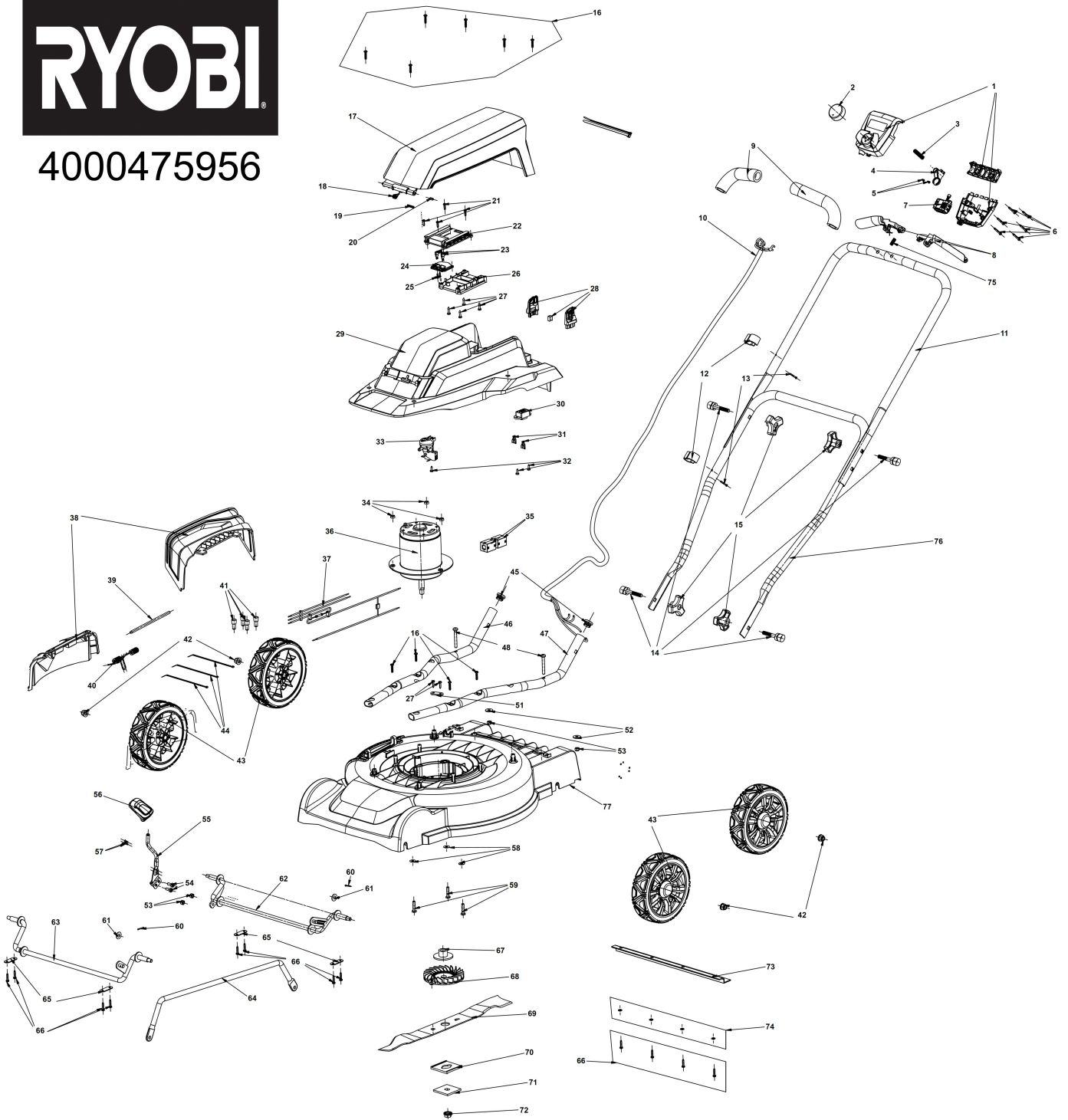
RY36LMM46A-140 CLSS MLCH LMOWER+BAT IN2

5133005486 - RY36LMM46A-140 - 4000475956



RYOBI

4000475956



Position	Quantity	Description	Part number	EAN
1001	1	HOUSING	5131045699	4058546432911
1002	1	BUTTON	5131045700	4058546432928
1003	1	SPRING	5131045701	4058546432935
1004	1	RELEASE LEVER	5131045702	4058546432942
1005	2	SCREW	5131045703	4058546432959
1006	6	SCREW	5131034780	4058546143510
1007	1	SWITCH	5131045704	4058546432966
1008	1	TRIGGER	5131045705	4058546432973
1009	2	FOAM RUBBER	5131045706	4058546432980
1010	1	CABLE	5131045707	4058546432997
1011	1	GUIDE BAR	5131045708	4058546433000
1012	2	CORD GRIP	5131045709	4058546380960
1013	2	SCREW	5131045710	4058546380977
1014	4	SCREW	5131045711	4058546380984
1015	4	NUT	5131045712	4058546401139
1016	10	SCREW	5131035616	4058546150235
1017	1	COVER	5131045713	4058546401184
1018	1	SPRING	5131045714	4058546401191
1019	1	SPRING	5131035621	4058546150280
1020	1	AXLE	5131035622	4058546150297
1021	1	PART NOT DEATAILED	1000063920	
1022	1	ADAPTER SHANK	5131042901	4058546261153
1023	2	CLAMP	5131042590	4058546258047
1024	1	COVER	5131042591	4058546258054
1025	2	SCREW	5131042900	4058546261146
1026	1	BATTERY BOX	5131045715	4058546401207
1027	6	SCREW	5131044609	4058546383329
1028	1	KEY SAFE	5131035631	4058546150372
1029	1	COVER	5131045716	4058546466329
1030	1	BRACKET	5131035636	4058546150426
1031	2	CONNECTING WIRE	5131035637	4058546150433
1032	3	SCREW	5131036253	4058546156244
1033	1	SWITCH	5131045717	4058546453497
1034	3	NUT	5131035639	4058546150457
1035	2	FERRITE CORE	5131044640	4058546383633
1036	1	MOTOR	5131045718	4058546453503
1037	1	WIRE	5131045719	4058546453510
1038	1	SIDE DISCHARGE CHUTE	5131045720	4058546453527
1039	1	ROD CHOKE	5131045721	4058546453534
1040	1	SPRING	5131045722	4058546453541
1041	4	CONNECTOR	5131040277	4058546053390
1042	4	NUT	5131033521	4002395147038
1043	4	WHEEL	5131045723	4058546453558
1044	1	PART NOT DEATAILED	1000063920	
1045	2	PLUG	5131045724	4058546453565
1046	1	GUIDE TUBE	5131045725	4058546453572
1047	1	GUIDE TUBE	5131045726	4058546453589
1048	2	SCREW	5131040896	4058546061609
1051	1	RETAINING PLATE	5131045727	4058546453596
1052	2	WASHER	5131040192	4058546052546

Position	Quantité	Désignation	Référence	EAN
1053	2	NUT	5131035760	4058546151607
1054	2	SCREW	5131035291	4058546147563
1055	1	OPERATING HANDLE	5131045728	4058546453602
1056	1	GRIP PART	5131045729	4058546453619
1057	1	PART NOT DEATAILED	1000063920	
1058	3	WASHER	5131035656	4058546150617
1059	3	SCREW	5131035657	4058546150624
1060	2	PIN	5131035642	4058546150488
1061	2	WASHER	5131035664	4058546056483
1062	1	AXLE	5131045730	4058546453626
1063	1	AXLE	5131045731	4058546453633
1064	1	ROD	5131045732	4058546453640
1065	4	TERMINAL STRIP	5131042942	4058546261566
1066	12	SCREW	5131035603	4058546150105
1067	1	SPACER	5131042951	4058546261658
1068	1	FAN	5131042950	4058546261641
1070	1	SPACER	5131042949	4058546261634
1071	1	RETAINING PLATE	5131035662	4058546150679
1072	1	NUT	5131035663	4058546150686
1073	1	RETAINING PLATE	5131045733	4058546453657
1074	4	FLAT WASHER	5131033446	4002395161836
1075	1	SPRING	5131000000	
1076	1	GUIDE BAR	5131045734	4058546453664
1077	1	ABSOLUTE UNIT	5131045735	4058546453671
1069	1	RAC452 46cm Blade for RY36LMM46A XXX	5132005704	4892210215178