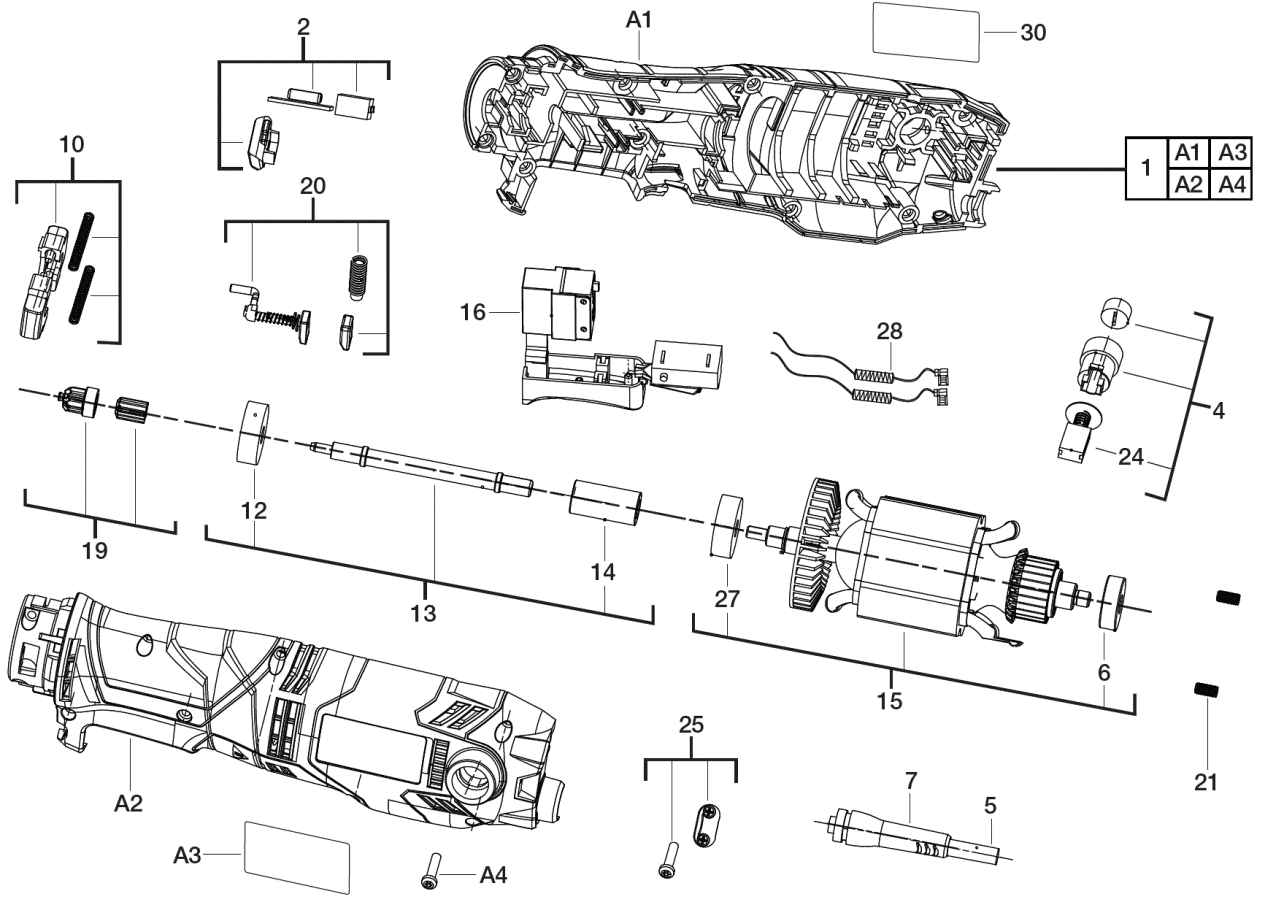


OMNI300-KIT1 SET POWERPACK IN2

4935431790 - OMNI300-PB - 4000431781





| Position | Quantity | Description | Part number | EAN |
|----------|----------|-------------------|-------------|---------------|
| 0001 | 1 | HOUSING | 4931435615 | 4002395863594 |
| 0002 | 1 | ELECTRIC ELEMENT | 4931435616 | 4002395864201 |
| 0004 | 1 | BRUSH HOLDER | 4931435617 | 4002395864218 |
| 0005 | 1 | CONNECTION CABLE | 4931435618 | 4002395864225 |
| 0006 | 1 | BALL BEARING | 690727001 | 4002395824281 |
| 0007 | 1 | RUBBER BUFFER | 4931435619 | 4002395864232 |
| 0010 | 1 | LOCK RELEASE KIT | 4931435620 | 4002395864249 |
| 0012 | 1 | BALL BEARING | 681258001 | 4002395823383 |
| 0013 | 1 | SHAFT | 4931435621 | 4002395864256 |
| 0014 | 1 | SHAFT | 4931435622 | 4002395864263 |
| 0015 | 1 | MOTOR ASSEMBLY | 4931435623 | 4002395864270 |
| 0016 | 1 | SWITCH KIT | 4931435624 | 4002395864287 |
| 0019 | 1 | PINION | 4931435625 | 4002395864294 |
| 0020 | 1 | STOP | 4931435626 | 4002395861507 |
| 0021 | 1 | STOP | 4931435626 | 4002395861507 |
| 0024 | 1 | CARBON BRUSH | 4931435628 | 4002395861521 |
| 0025 | 1 | CLAMP | 4931435629 | 4002395861538 |
| 0027 | 1 | BALL BEARING | 4931435630 | 4002395861545 |
| 0028 | 1 | ELECTRIC COMPLETE | 4931435631 | 4002395861552 |
| 0030 | 1 | RATING PLATE | 4931435632 | 4002395861569 |