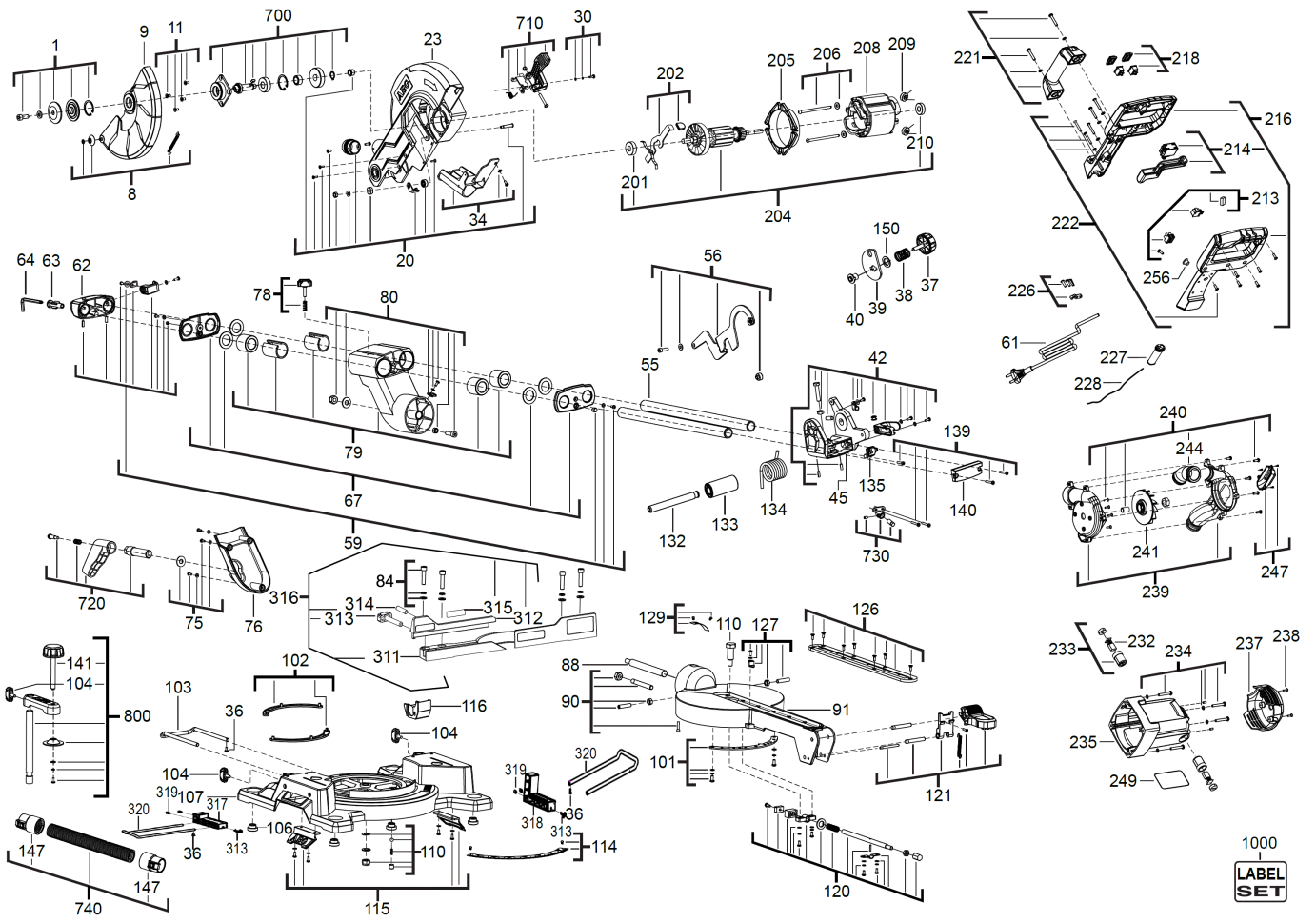


PS216L 220-240V COMPOUND MITER SAW IN2

4935440650 - PS216L - 4000469998





1000
LABEL SET

Position	Quantity	Description	Part number	EAN
0001	1	FLANGE	4931447316	4002395880478
0008	1	FASTENING PARTS	4931447317	4002395880485
0009	1	GUARD	4931447318	4002395880492
0011	4	SCREW	4931446283	4002395886074
0020	1	FASTENING PARTS	4931447319	4002395881109
0023	1	GUARD	4931447320	4002395881116
0030	1	SCREW	4931446286	4002395886777
0034	1	DUST CATCHER	4931447321	4002395881123
0036	10	SCREW	4931446288	4002395886791
0037	1	KNOB	4931446289	4002395887408
0038	1	SPRING WASHER	4931446290	4002395887415
0039	1	ECCENTRIC DISC	4931447322	4002395881130
0040	1	FLANGE	4931446292	4002395887439
0042	1	CLAMPING SET	4931447323	4002395881147
0045	1	BRACKET	4931447324	4002395881154
0055	1	SLIDE	4931446295	4002395888818
0056	1	JOINING PART	4931447325	4002395881161
0059	1	CABLE CLIP	4931446297	4002395887460
0061	1	CONNECTION CABLE	4931446298	4002395888740
0062	1	SLIDE PLATE	4931446301	4002395888108
0063	1	BUSH	4931446302	4002395888115
0064	1	KEY	4931446303	4002395888122
0067	1	BEARING COVER	4931446304	4002395888139
0075	1	SCREW	4931446305	4002395886081
0076	1	COVER	4931447326	4002395881178
0078	1	KNOB	4931446307	4002395888146
0079	1	BEARING KIT	4931447327	4002395881185
0080	1	FASTENING PARTS	4931446309	4002395888153
0084	1	SCREW AND WASHER ASSY	4931446310	4002395886098
0088	1	PIVOT	4931447329	4002395881802
0090	1	GUARD	4931447330	4002395881819
0091	1	TABLE	4931446314	4002395888184
0101	1	BOLT SET	4931446315	4002395888191
0102	1	GUIDE	4931446316	4002395888825
0103	1	EXTENSION	4931446317	4002395888832
0104	3	CLAMP	4931446318	4002395888849
0106	4	RUBBER FOOT	4931446319	4002395888856
0107	1	BASE PLATE	4931447331	4002395881826
0110	1	PIVOT	4931446321	4002395888870
0114	1	SCALE	4931446529	4002395172184
0115	1	HANDLE	4931446323	4002395888894
0116	1	SUPPORTING PLATE	4931446324	4002395886104
0120	1	LOCK	4931446325	4002395886111
0121	1	LOCKING LEVER	4931446326	4002395886128
0126	1	INSERT	4931446327	4002395886135
0127	1	TURN TABLE	4931446328	4002395886142
0129	1	SCALE	4931446530	4002395879892
0132	1	PIVOT	4931447332	4002395881833
0133	1	BUSHING	4931447333	4002395881840
0134	1	TORSION SPRING	4931447334	4002395881857

Position	Quantité	Désignation	Référence	EAN
0135	1	LAMP	4931446333	4002395886197
0139	1	SCREW	4931446334	4002395886708
0140	1	HOLDER	4931446335	4002395886807
0141	1	VARIABLE RING	4931446336	4002395886814
0147	2	DUST EXTR.CONNECTOR	4931446337	4002395886821
0150	1	WASHER	4931446338	4002395886838
0201	1	BALL BEARING	4931447335	4002395881864
0202	1	SPINDLE LOCK	4931447336	4002395881871
0204	1	ARMATURE	4931447337	4002395881888
0205	1	AIR DEFLECTOR RING	4931447338	4002395881895
0206	1	BOLT SET	4931447339	4002395879106
0208	1	ELECTRIC FIELD	4931447340	4002395879113
0209	2	MAGNETIC DISC	4931447341	4002395879120
0210	1	BALL BEARING	4931447342	4002395879144
0213	1	ELECTRONIC	4931446349	4002395887545
0214	1	SWITCH KIT	4931465669	4058546237691
0216	1	HANDLE HALF	4931446351	4002395887552
0218	1	SWITCH ASSEMBLY	4931446352	4002395887569
0221	1	HANDLE COMPL.	4931446353	4002395887576
0222	1	SCREW	4931446354	4002395886715
0226	1	LATCH PLATE	4931446355	4002395887583
0227	1	PROTECTING COVER	4931447343	4002395879151
0228	1	CABLE	4931446357	4002395888207
0232	1	CARBON BRUSH SET	4931447344	4002395879168
0233	1	BRUSH HOLDER	4931447345	4002395879175
0234	1	BOLT SET	4931447346	4002395879182
0235	1	MOTOR HOUSING	4931447347	4002395879199
0237	1	END COVER CAP	4931447348	4002395879809
0238	2	SCREW	4931446364	4002395888214
0239	1	DUST EXTRACTION	4931447349	4002395879816
0240	1	BOLT SET	4931447350	4002395879823
0241	1	FAN	4931447351	4002395879830
0244	1	DUST EXTRACTION	4931446368	4002395888245
0247	1	COVER ASSY	4931447352	4002395879847
0249	1	RATING PLATE	4931472166	4058546283834
0256	1	HOUSING SET ASSY	4931446373	4002395888795
0311	1	STOP	4931453261	4002395159277
0312	1	STOP	4931453270	4002395160631
0313	3	WING NUT	4931453271	4002395160648
0314	1	BOLT	4931453262	4002395159284
0315	1	STICKER	4931453263	4002395159291
0316	1	EXT. W. STOP GAUGE	4931456196	4002395173228
0317	1	CLAMPING SET	4931466887	4058546281045
0318	1	CLAMPING SET	4931466888	4058546281052
0319	4	SCREW	4931466885	4058546281021
0320	2	HOLDING BRACKET	4931466886	4058546281038
0700	1	OUTPUT SHAFT KIT	4931447354	4002395879861
0710	1	LOCK RELEASE KIT	4931447355	4002395879878
0720	1	LOCKING LEVER	4931447356	4002395879885
0730	1	INDICATOR SET	4931446377	4002395888290

Position	Quantité	Désignation	Référence	EAN
0740	1	DUST EXTRACTION AS.	4931446378	4002395888900
0800	1	CLAMP	4931446379	4002395888917
1000	1	ADHESIVE LABEL	4931466891	4058546281083