

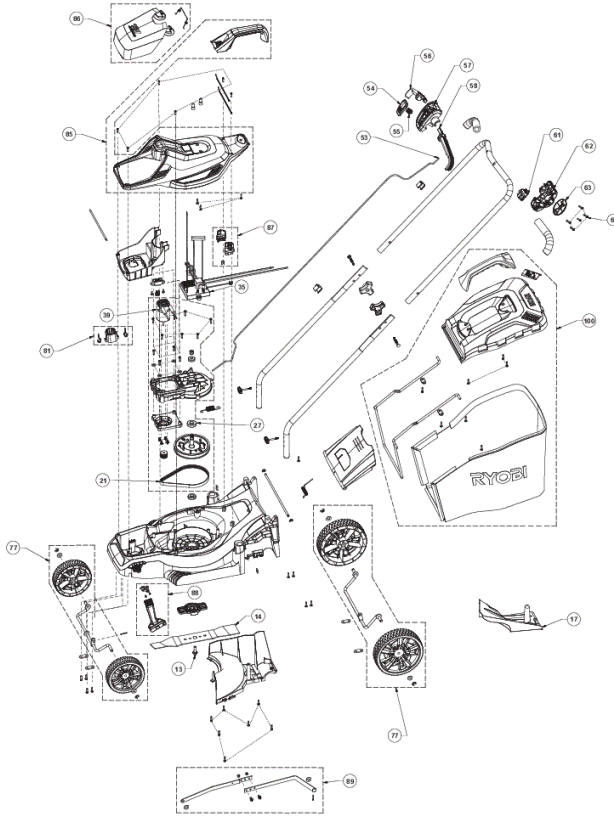
# RLM18X33B40 MOWER + BAT + CHARGER IN2

5133004306 - RLM18X33B40 - 4000462910





4000462910



Position	Quantity	Description	Part number	EAN
1006	5	SCREW	5131035603	4058546150105
1013	1	SCREW	5131042504	4058546257187
1017	1	PLUG	5131042250	4058546254643
1021	1	BELT	5131042251	4058546254650
1027	1	BEARING	5131042252	4058546254667
1035	1	ELECTRONIC	5131042253	4058546254674
1039	1	MOTOR	5131042254	4058546254681
1053	1	CABLE	5131042255	4058546254698
1054	1	TRIGGER	5131042256	4058546254704
1055	1	SPRING	5131040206	4058546052683
1056	1	OPERATING HANDLE	5131042257	4058546254711
1057	1	HOUSING COVER	5131042258	4058546254728
1058	1	OPERATING HANDLE	5131042259	4058546254735
1061	1	SWITCH	5131042260	4058546254742
1062	1	HOUSING BOTTOM	5131042261	4058546254759
1063	1	COVER	5131042262	4058546254766
1077	1	WHEEL SET	5131042263	4058546254773
1081	1	BATTERY BOX	5131042264	4058546254780
1085	1	HOUSING COVER	5131042265	4058546254797
1086	1	GUARD COVER	5131042266	4058546254803
1087	1	KEY SAFE	5131035631	4058546150372
1088	1	SETTING BOW	5131042315	4058546255299
1089	1	JOINT PIECE	5131042443	4058546256579
1100	1	GRASS-CATCHING BAG	5131042536	4058546257507
1014	1	RAC434 OLM1833B REPLACEMENT BLADE XXX	5132004516	4892210181183