

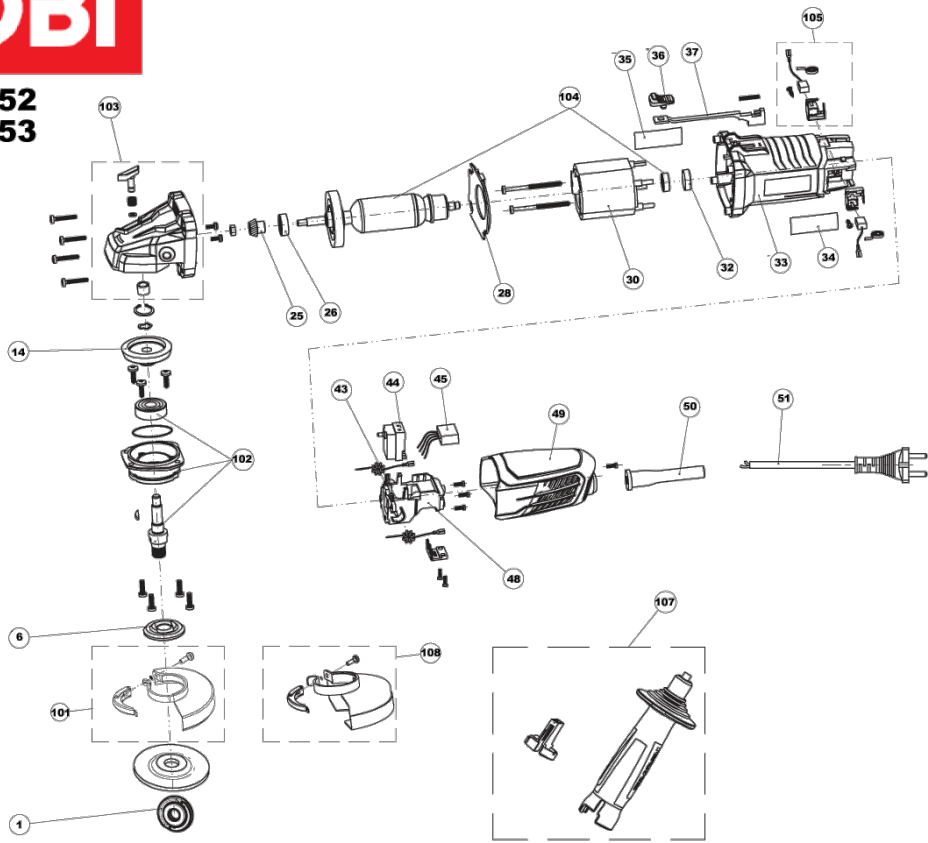
RAG1010-125SF Angle grinder GB2

5133002498 - RAG1010-125SF - 4000444553





4000444552
4000444553



Position	Quantity	Description	Part number	EAN
001	1	FIXTEC NUT	5131033653	4002395149629
006	1	CLAMPING FLANGE	5131033070	4002395156429
014	1	PINION	5131033139	4002395151721
025	1	PINION	5131033149	4002395152421
026	1	BALL BEARING	5131033150	4002395152438
028	1	GEAR FLANCE	5131033641	4002395148905
030	1	STATOR	5131033642	4002395148912
032	1	BEARING SLEEVE	5131033160	4002395153138
033	1	HOUSING	5131033654	4002395149636
034	1	LABEL	5131033644	4002395148936
035	1	LABEL	5131033655	4002395149643
036	1	SWITCH BUTTON	5131033162	4002395153152
037	1	SWITCH LEVER	5131033163	4002395153169
043	2	CHOKING COIL	5131033173	4002395153862
044	1	SWITCH	5131033170	4002395153831
045	1	PRINTED CIRCUIT	5131033646	4002395148950
048	1	SWITCH RETAINER	5131033647	4002395148967
049	1	HOUSING	5131033648	4002395148974
050	1	PROTECTION SLEEVE	5131033181	4002395151141
051	1	CONNECTION CABLE	5131033119	4002395156528
101	1	GUARD CAP	5131033639	4002395148288
102	1	DRIVING SHAFT	5131033649	4002395148981
103	1	GEAR BOX ASSY	5131033650	4002395148998
104	1	ARMATURE	5131033651	4002395149605
105	1	CARBON BRUSH SET	5131033164	4002395153176
107	1	AUXILIARY HANDLE	5131033652	4002395149612
108	1	CUTTING GUARD	5131033640	4002395148295