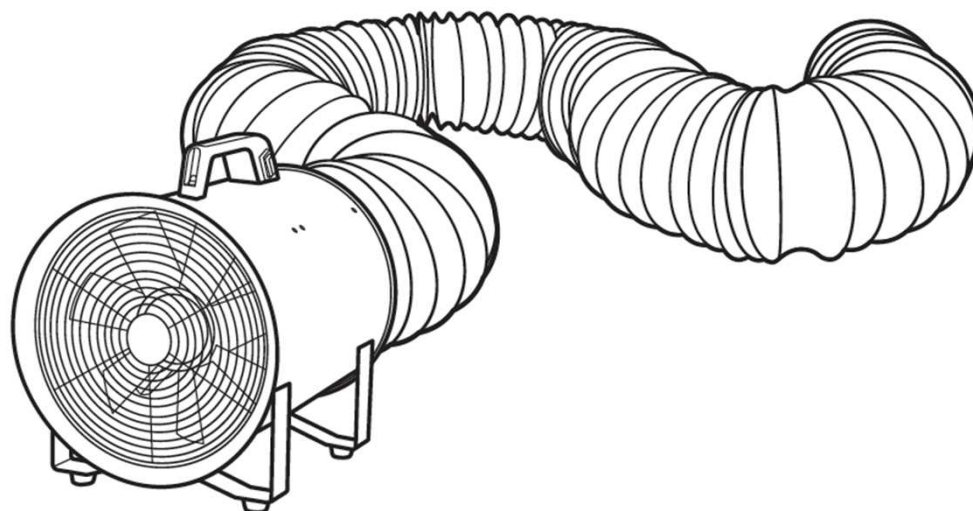


BLOWER

BLM 6800



FUNCTIONING PRINCIPLES



The air flow is forced by an axial fan towards rear part of the device.
 Optional flexible hose can be connected to air inlet or outlet.

TECHNICAL DATA

Power	W	350	Current	A	1,4
Power source		Electrical	Voltage	V	220-240
Net weight	kg	9,5	Frequency	Hz	50
Gross weight	kg	10,5			
Speed mode		1			
Air flow	m ³ /h	3900			
Pressure	Pa	373			
Noise level	dBa	71			

PACKING

Package dimensions	mm	365 x 405 x 340
Device dimensions	mm	343 x 383 x 317
Pieces per Euro-pallet	n°	36
Pallet dimensions	mm	810 x 1200 x 2190

COMPONENTS

Motor

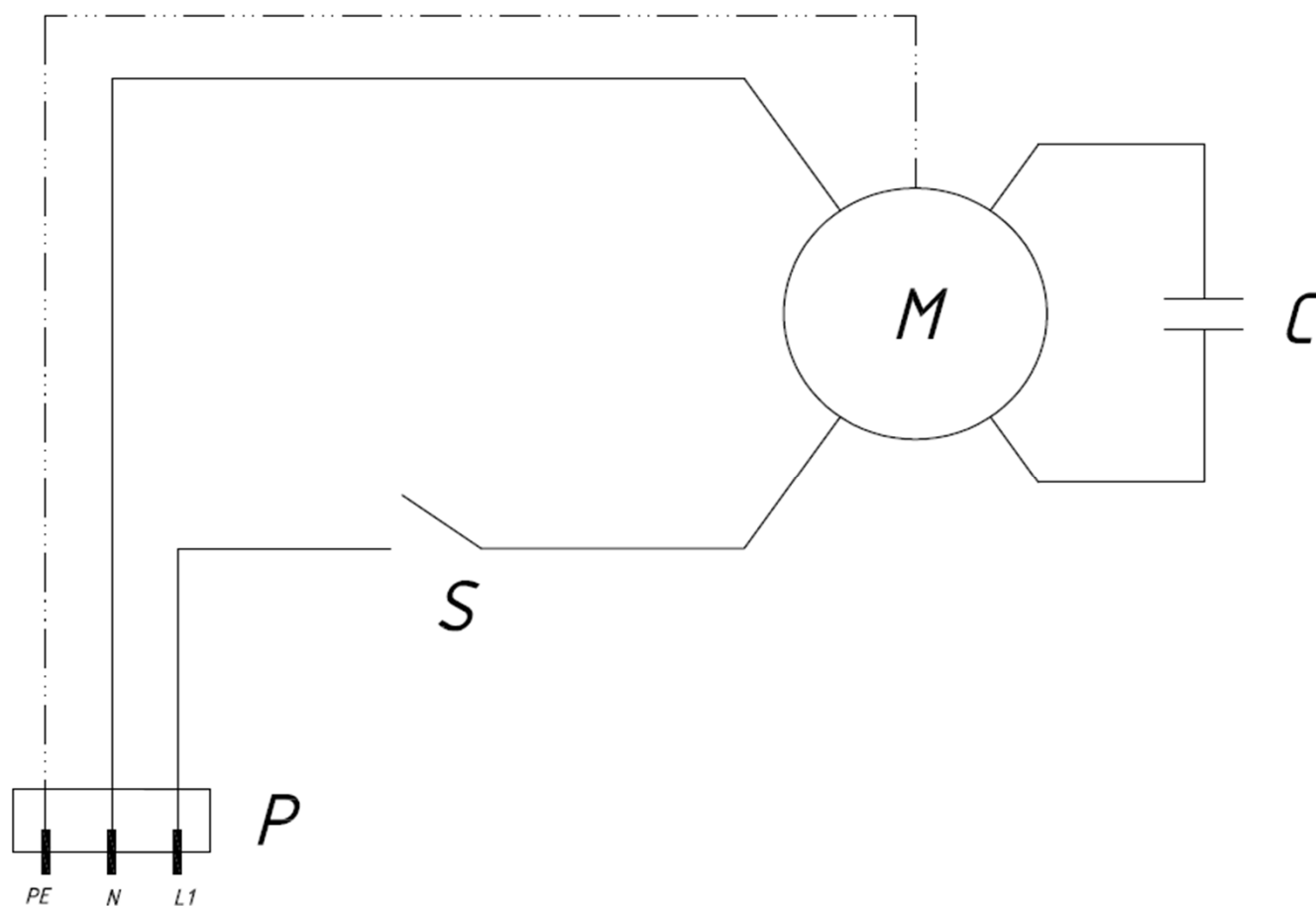
Asynchronous, monophasic, with thermal protection,
2793 rpm

ACCESSORIES

Flexible hose

Diameter 350mm, length 7,6m

WIRING DIAGRAM



220-240 V / 50 Hz

P - PLUG

S - SWITCH

M - MOTOR

C - CAPACITOR