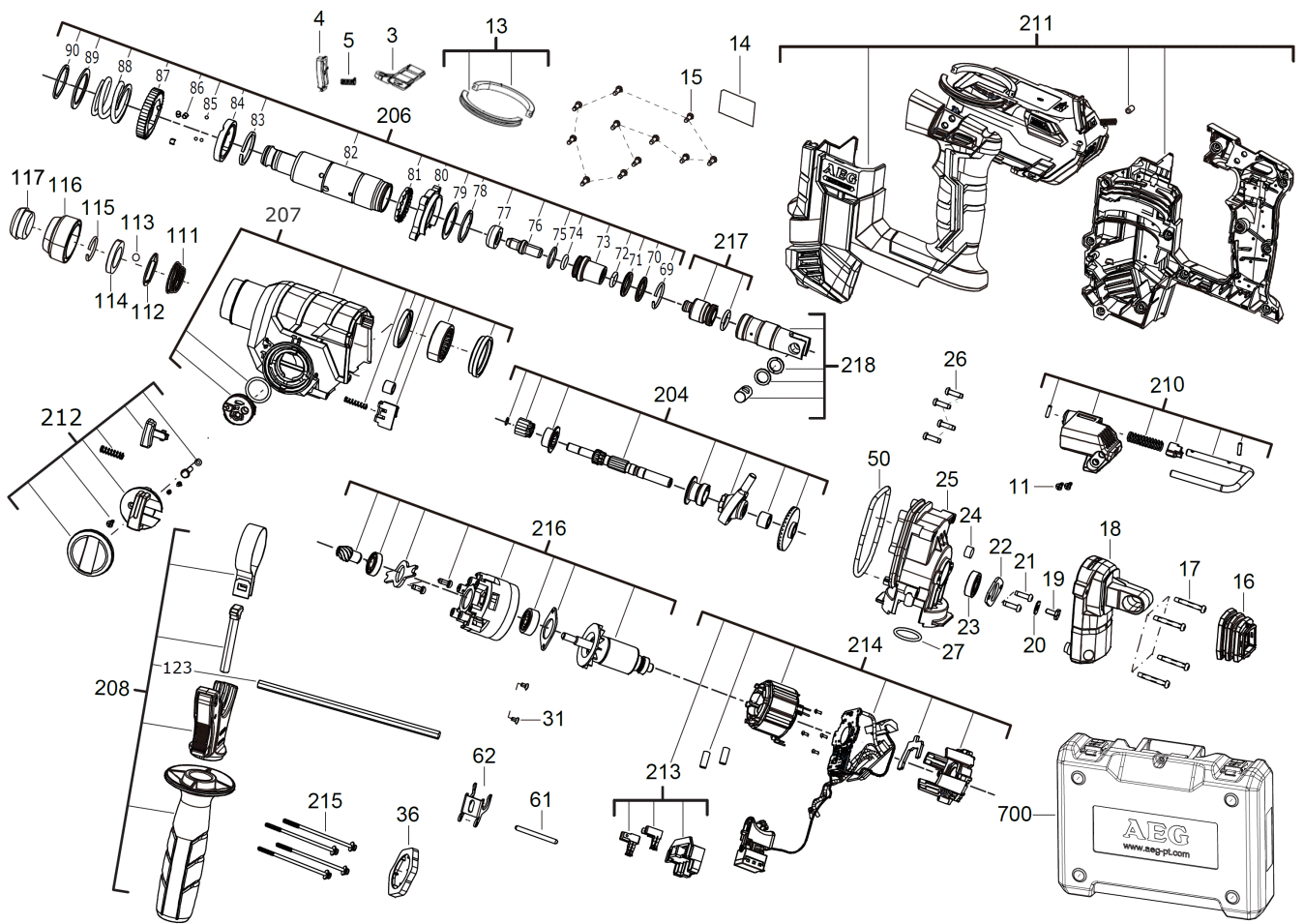


BBH18BLLI-502C BTY.COMBI HAMMER IN2

4935464753 - BBH18BLLI-502C - 4000469245





Position	Quantity	Description	Part number	EAN
0003	1	SLIDER	4931466535	4058546277529
0004	1	BUTTON	4931466536	4058546277536
0005	1	SPRING	692688001	4002395852345
0011	2	SCREW	661164001	4002395829934
0013	1	CUP SPRING PACK/5	4931466537	4058546277543
0014	1	RATING PLATE	4931466538	4058546277550
0015	11	SCREW	4931461905	4058546230050
0016	1	BELLOWS	4931466539	4058546277567
0017	4	SCREW	4931466540	4058546277574
0018	1	HOUSING	4931466541	4058546277581
0019	1	SCREW	4931436821	4002395179060
0020	1	WASHER	680335010	4002395759972
0021	2	SCREW	660165015	4002395849826
0022	1	BEARING END PLATE	4931436537	4002395251261
0023	1	BALL BEARING	4931441228	4002395870066
0024	1	FELT WASHER	4931466542	4058546277598
0025	1	HOUSING	4931466543	4058546277604
0026	4	SCREW	4931454270	4002395286003
0027	1	O-RING	4931454442	4058546008703
0031	2	SCREW	660165015	4002395849826
0036	1	DISTANCE HOLDER	4931465130	4058546232306
0050	1	O-RING	4931436533	4002395251223
0061	1	PIN	4931466544	4058546277611
0062	1	INSERT	4931466545	4058546277628
0069	1	CIRCLIP	672632001	4002395851386
0070	1	WASHER	633518001	4002395851348
0071	1	O-RING	562595001	4002395850655
0072	1	O-RING	4931454456	4058546008840
0073	1	SLEEVE	4931436798	4002395180493
0074	1	O-RING	4931436823	4002395179046
0075	1	O-RING	4931436819	4002395179084
0076	1	PERCUSSION BODY	4931436799	4002395180486
0077	1	RING	4931436797	4002395181100
0078	1	CIRCLIP	633529001	4002395851355
0079	1	WASHER	633516001	4002395851324
0080	1	GUIDE	4931466546	4058546277635
0081	1	BEARING	4931466547	4058546277642
0082	1	SPINDLE	4931466548	4058546277659
0083	1	HOLDING RING	4931436804	4002395180431
0084	1	CLUTCH DISC	4931466549	4058546277666
0085	3	BALL	611405001	4002395851201
0086	3	PIN	4931466550	4058546277673
0087	1	GEAR	4931466551	4058546277680
0088	1	SPRING	4931466552	4058546277697
0089	1	WASHER	633517001	4002395851331
0090	1	RETAINING RING	672634004	4002395854219
0111	1	SPRING	4931453607	4002395143849
0112	1	PLATE	632399001	4002395856275
0113	1	BALL	4931453606	4002395143832
0114	1	RETAINING RING	633521001	4002395856237

Position	Quantité	Désignation	Référence	EAN
0115	1	SPRING RING	672631001	4002395856336
0116	1	CLAMPING SLEEVE	522172001	4002395854295
0117	1	RUBBER CAP	561993001	4002395854936
0123	1	DEPTH GAUGE	620448002	4002395851218
0204	1	WOBBLE DRIVE	4931466553	4058546277703
0206	1	SPINDLE KIT	4931466554	4058546277710
0207	1	HOUSING	4931466555	4058546277727
0208	1	HANDLE COMPL.	4931454497	4058546009250
0210	1	HOOK	4931466556	4058546277734
0211	1	HOUSING	4931466557	4058546277741
0212	1	TURNING KNOB	4931466558	4058546277758
0213	1	TERMINAL PLUG	4931466559	4058546277765
0214	1	SWITCH	4931466560	4058546277772
0215	1	SCREW	4931466561	4058546277789
0216	1	MOTOR ASSEMBLY	4931466562	4058546277796
0217	1	STRIKER	4931466563	4058546277802
0218	1	CYLINDER	4931466564	4058546277819
0700	1	CARRYING CASE	4931466565	4058546277826