

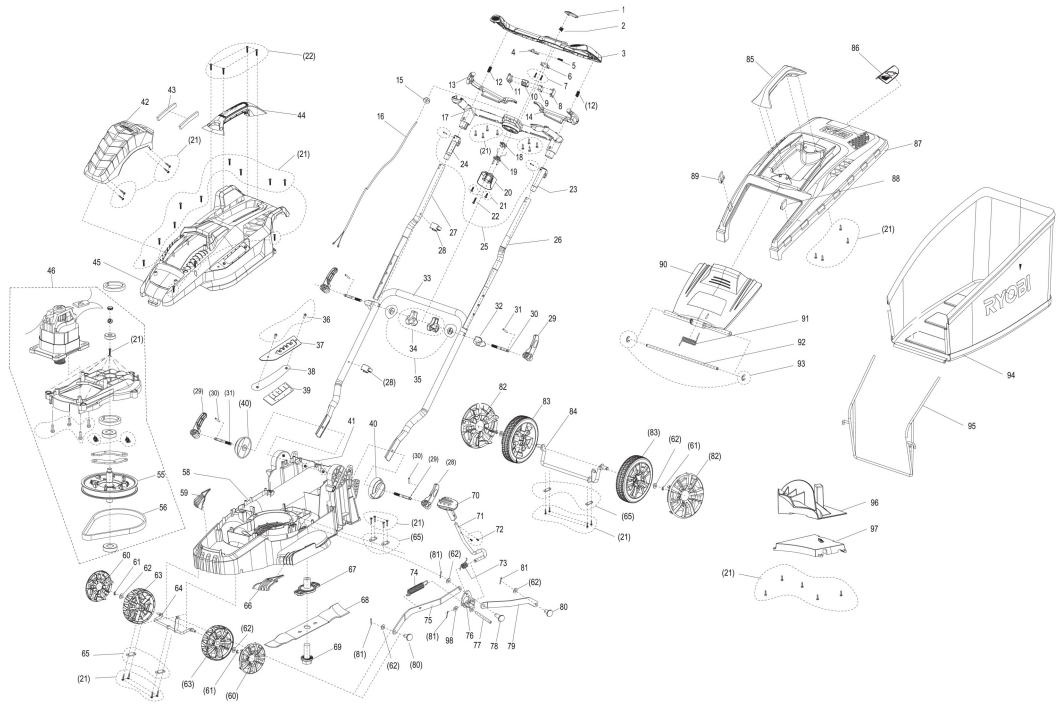
# RLM15E36H 1500W 36cm Lawn Mower IN2

5133002345 - RLM15E36H 1500W 36cm - 4000444361





4000444361



Position	Quantity	Description	Part number	EAN
001	1	PLASTIC , SAFETY BUTTON / 099737	5131036485	4058546158125
002	1	METAL , SPRING FOR SAFETY BUTTON /099737	5131036486	4058546158132
003	1	PLASTIC , UPPER ERGO HANLDE COVER/099737	5131036487	4058546158149
004	1	PLASTIC , SLIDE /099737	5131036491	4058546158187
005	1	MATEL, SPRING FOR SLIDE/099737	5131036490	4058546158170
006	1	PLASTIC,PARTITION PLATE FOR SLIDE/099737	5131036499	4058546158255
007	2	ST SCREW 3XL10, OXIDE / 099737	5131036494	4058546158200
008	1	PLASTIC, LEFT FIXURE OF SWITCH/099737	5131036495	4058546158217
009	1	PLASTIC,FLASE SWITCH/099737	5131036496	4058546158224
010	1	SWITCH_10(10)A/099737	5131036493	4058546026752
011	1	PLASTIC, RIGHT FIXURE OF SWITCH/099737	5131036498	4058546158248
012	2	METAL , SPRING FOR TRIGGER / 099737	5131036488	4058546158156
013	1	PLASTIC, LEFT TRIGGER/099737	5131036492	4058546158194
014	1	PLASTIC, RIGHT TRIGGER/099737	5131036489	4058546158163
015	1	PLASTIC ,CORD SLEEVE/099737	5131036497	4058546158231
016	1	WIRE	5131036947	4002395170524
017	1	PLASTIC,LOWER ERGO HANLDE COVER / 099737	5131036502	4058546158286
018	1	PLASTIC ,PLATE FOR PERESSING PULG/099737	5131036500	4058546158262
019	1	VDE PLUG W/LEAD WIRE 2X1.0X80MM/099737	5131036501	4058546158279
020	1	PLASTIC ,GUARD FOR PLUG/099737	5131036504	4058546158309
021	30	ST SCREW 4.2XL15, OXIDE / 099737	5131036503	4058546158293
022	1	ST SCREW 4.2XL35, OXIDE / 099737	5131036505	4058546026745
023	1	PLASTC , LEFT CONNECTOR/099737	5131036508	4058546158330
024	1	PLASTC , RIGHT CONNECTOR/099737	5131036506	4058546158316
025	2	ST SCREW 4XL12, OXIDE / 099737	5131036507	4058546158323
026	1	METAL,LEFT UPPER TBUE/099737	5131036512	4058546158378
027	1	METAL,RIGHT UPPER TBUE/099737	5131036510	4058546158354
028	2	PASTIC , CORD CLIP/099737	5131036511	4058546158361
029	4	PLASTIC ,QUICK RELEASE FASTENER/099737	5131036514	4058546158392
030	4	M SCREW STEEL CH BOLT M8X73/099737	5131036516	4058546158415
031	4	SPRING PIN OD4X25/099737	5131036513	4058546158385
032	2	PLASTIC ,PRESS WASHER/099737	5131036515	4058546158408
033	1	TUBE	5131036948	4002395170531
034	2	WING NUTS WILL INSRET M8X8NUT/099737	5131036518	4058546158439
035	2	PLASTIC ,WAHSER BLOCK/099737	5131036517	4058546158422
036	2	CROSS-SHAPED SCREW M5XL12/099737	5131036521	4058546158460
037	1	METAL, ADJSUT HEIGHT STEP PLATE/099737	5131036524	4058546158484
038	2	METAL , NUT M5/099737	5131036525	4058546158491
039	1	RUBBER , DUST PROOF PLATE/099737	5131036526	4058546158507
040	2	PLASTIC , QUICK LOCK PRESS BLOCK/099737	5131036532	4058546158552
041	2	METAL, INSERT NUT M8X8/099737	5131036533	4058546158569
042	1	PLASTIC , MOTOR COVER/099737	5131036527	4058546026738
043	2	AIR FLOW PLATE	5131036949	4002395170548
044	1	HANDLE	5131036950	4002395170555
045	1	HOUSING CAP	5131036951	4002395170562
046	1	MOTOR ASSEMBLY	5131036952	4002395170579
055	1	PULLEY	5131040942	4058546062064
056	1	BELT	5131040943	4058546062071
057	1	METAL,DUST PROOF BEARING 6902-2RS/099737	5131036554	4058546026707
058	1	HOUSING	5131036953	4002395170586

Position	Quantité	Désignation	Référence	EAN
059	1	CAP	5131036954	4002395170593
060	2	COVER	5131036955	4002395171200
061	4	MTEAL ,E RING/099737	5131036535	4058546158583
062	7	MEATEL ,FLAT WHSER 10*20x1.5 /099737	5131036536	4058546158590
063	2	WHEEL	5131036956	4002395171217
064	1	AXLE	5131036957	4002395171224
065	6	MATEL , PRESS PLATE _WHEEL / 099737	5131036545	4058546158682
066	1	CAP	5131036958	4002395171231
067	1	ADAPTER SHANK	5131036555	4058546026721
068	1	BLADE	5131036959	4002395171248
069	1	BALDE BOLT M8*20/WHITE ZN-PLATED/099737	5131036557	4058546026714
070	1	PLASTIC, HEIGHT ADJUST HANDLE / 099737	5131036522	4058546158477
071	1	BENT LEVER	5131036960	4002395171255
072	2	SCREW	5131036961	4002395171262
073	1	ADJUST HEIGHT TORSION SPRING/099737	5131036561	4058546158811
074	1	METAL ,RETENTION SPRING / 099737	5131036553	4058546158767
075	1	METAL, FRONT CONNECT ROD / 099737	5131036549	4058546158729
076	1	BRACKET	5131036962	4002395171279
077	1	AXLE	5131036963	4002395171286
078	1	PIN	5131036964	4002395171293
079	1	METAL ,REAR CONNECT ROD / 099737	5131036565	4058546158859
080	2	PIN	5131036965	4002395168507
081	2	METAL , SPLIT PIN / 099737	5131036551	4058546158743
082	2	COVER	5131036966	4002395168514
083	2	WHEEL	5131036967	4002395168521
084	1	AXLE	5131036968	4002395168538
085	1	PLASTIC , GRASS BAG HANDLE / 099737	5131036578	4058546158989
086	1	PLASTIC , BAG FULL INDICATOR / 099737	5131036577	4058546158972
087	1	COVER	5131036969	4002395168545
088	1	PLUG	5131036970	4002395168552
089	1	PLUG	5131036971	4002395168569
090	1	DOOR	5131036972	4002395168576
091	1	TORSION SPRING	5131036973	4002395168583
092	1	AXLE	5131036974	4002395168590
093	2	CIRCLIP	5131036975	4002395169214
094	1	BAG	5131036976	4002395169221
095	1	FRAME	5131036977	4002395169238
096	1	PLUG	5131036978	4002395169245
097	1	AIR FLOW PLATE	5131036979	4002395169252
098	1	WASHER	5131036980	4002395169269
	1	RAC414 36cm mower blade	5132002718	4892210132277