

RYOBI®

RM480e

ORIGINAL INSTRUCTIONS
TRADUCTION DES INSTRUCTIONS ORIGINALES
ÜBERSETZUNG DER ORIGINALANLEITUNG
OVERSÆTTELSE AF DE ORIGINALE INSTRUKTIONER
ÖVERSÄTTNING AV DE URSPRUNGLIGA INSTRUKTIONERNA
ALKUPERÄISTEN OHJEIDEN SUOMENNO
OVERSETTELSE AV DE ORIGINALE INSTRUKSJONENE

EN
FR
DE
DA
SV
FI
NO





- Important!** It is essential that you read the instructions in this manual before assembling, maintaining and operating the product.
- Attention!** Il est essentiel que vous lisiez les instructions contenues dans ce manuel avant d'assembler, d'entretenir et d'utiliser le produit.
- Achtung!** Es ist wichtig, dass Sie vor Zusammenbau, Wartung und Benutzung des Produktes die Anweisungen in dieser Anleitung lesen.
- OBS!** Det er vigtigt, at man læser instrukserne i denne brugsanvisning, inden man samler, vedligeholder og betjener produktet.
- Observera!** Det är viktigt att du läser instruktionerna i manualen före montering, användning och underhåll av produkten.
- Huomio!** On tärkeää, että luet tämän käsikirjan ohjeet ennen tuotteen kokoamista, huoltoa ja käyttöä.
- Advarsel!** Det er viktig at du leser instruksjonene i denne manualen før sammensetning, vedlikehold og bruk av produktet



Subject to technical modification | Sous réserve de modifications techniques | Technische Änderungen vorbehalten | Med forbehold for tekniske ændringer | Med förbehåll för tekniska ändringar | Tekniset muutokset varataan | Med forbehold om tekniske endringer



Safety, performance, and dependability have been given top priority in the design of your ride-on mower.

INTENDED USE

The ride-on mower is intended for outdoor use only.

The product is designed for domestic lawn mowing. The cutting blade should rotate approximately parallel to the ground over which it is being wheeled. All four wheels should touch the ground while mowing.

The product is to be used only in domestic application by adults who have received adequate training on the hazards and preventive measures or actions taken while using it.

Do not use the product for any other purpose.

GENERAL SAFETY WARNINGS

⚠ WARNING

Read all safety warnings, instructions, illustrations and specifications provided with this power tool. Failure to follow all instructions listed below may result in electric shock, fire, and/or serious injury.

Save all warnings and instruction for future reference.

The term “power tool” in the warnings refers to your mains-operated (corded) product or battery-operated (cordless) product.

WORK AREA SAFETY

- **Keep work area clean and well lit.** Cluttered or dark areas invite accidents.
- **Do not operate power tools in explosive atmospheres, such as in the presence of flammable liquids, gases or dust.** Power tools create sparks which may ignite the dust or fumes.
- **Keep children and bystanders away while operating a power tool.** Distractions can cause you to lose control.

ELECTRICAL SAFETY

- **Power tool plugs must match the outlet. Never modify the plug in any way. Do not use any adapter plugs with earthed (grounded) power tools.** Unmodified

plugs and matching outlets will reduce risk of electric shock.

- **Avoid body contact with earthed or grounded surfaces, such as pipes, radiators, ranges and refrigerators.** There is an increased risk of electric shock if your body is earthed or grounded.
- **Do not expose power tools to rain or wet conditions.** Water entering a power tool will increase the risk of electric shock.
- **Do not abuse the cord. Never use the cord for carrying, pulling or unplugging the power tool. Keep cord away from heat, oil, sharp edges or moving parts.** Damaged or entangled cords increase the risk of electric shock.
- **When operating a power tool outdoors, use an extension cord suitable for outdoor use.** Use of a cord suitable for outdoor use reduces the risk of electric shock.
- **If operating a power tool in a damp location is unavoidable, use a residual current device (RCD) protected supply.** Use of an RCD reduces the risk of electric shock.

PERSONAL SAFETY

- **Stay alert, watch what you are doing and use common sense when operating a power tool. Do not use a power tool while you are tired or under the influence of drugs, alcohol or medication.** A moment of inattention while operating power tools may result in serious personal injury.
- **Use personal protective equipment. Always wear eye protection.** Protective equipment such as dust mask, non-skid safety shoes, hard hat or hearing protection used for appropriate conditions will reduce personal injuries.
- **Prevent unintentional starting. Ensure the switch is in the off-position before connecting to power source and/or battery pack, picking up or carrying the tool.** Carrying power tools with your finger on the switch or energising power tools that have the switch on invites accidents.
- **Remove any adjusting key or wrench before turning the power tool on.** A wrench or a key left attached to a rotating part of the power tool may result in personal injury.

- **Do not overreach. Keep proper footing and balance at all times.** This enables better control of the power in unexpected situations.
- **Dress properly. Do not wear loose clothing or jewellery. Keep your hair and clothing away from moving parts.** Loose clothes, jewellery or long hair can be caught in moving parts.
- **If devices are provided for the connection of dust extraction and collection facilities, ensure these are connected and properly used.** Use of dust collection can reduce dust-related hazards.
- **Do not let familiarity gained from frequent use of tools allow you to become complacent and ignore tool safety principles.** A careless action can cause severe injury within a fraction of a second.

POWER TOOL USE AND CARE

- **Do not force the power tool. Use the correct power tool for your application.** The correct power tool will do the job better and safer at the rate for which it was designed.
- **Do not use the power tool if the switch does not turn it on and off.** Any power tool that cannot be controlled with the switch is dangerous and must be repaired.
- **Disconnect the plug from the power source and/or the battery pack, if detachable, from the power tool before making any adjustments, changing accessories or storing power tools.** Such preventive safety measures reduce the risk of starting the power tool accidentally.
- **Store idle power tools out of the reach of children and do not allow persons unfamiliar with the power tool or these instructions to operate the power tool.** Power tools are dangerous in the hands of untrained users.
- **Maintain power tools and accessories. Check for misalignment or binding of moving parts, breakage of parts and any other condition that may affect the power tool's operation. If damaged, have the power tool repaired before use.** Many accidents are caused by poorly maintained power tools.

- **Keep cutting tools sharp and clean.** Properly maintained cutting tools with sharp cutting edges are less likely to bind and are easier to control.
- **Use the power tool, accessories and tool bits, etc. in accordance with these instructions, taking into account the working conditions and the work to be performed.** Use of the power tool for operations different from those intended could result in a hazardous situation.
- **Keep handles and grasping surfaces dry, clean, and free from oil and grease.** Slippery handles and grasping surfaces do not allow for safe handling and control of the tool in unexpected situations.

BATTERY TOOL USE AND CARE

- **Recharge only with the charger specified by the manufacturer.** A charger that is suitable for one type of battery pack may create a risk of fire when used with another battery pack.
- **Use power tools only with specifically designated battery packs.** Use of any other battery packs may create a risk of injury and fire.
- **When battery pack is not in use, keep it away from other metal objects, like paper clips, coins, keys, nails, screws or other small metal objects, that can make a connection from one terminal to another.** Shorting the battery terminals together may cause burns or a fire.
- **Under abusive conditions, liquid may be ejected from the battery; avoid contact.** If contact accidentally occurs, flush with water. If liquid contacts eyes, additionally seek medical help. Liquid ejected from the battery may cause irritation or burns.
- **Do not use a battery pack or tool that is damaged or modified.** Damaged or modified batteries may exhibit unpredictable behaviour resulting in fire, explosion or risk of injury.
- **Do not expose a battery pack or tool to fire or excessive temperature.** Exposure to fire or temperature above 130°C may cause explosion.
- **Follow all charging instructions and do not charge the battery pack or tool outside the temperature range specified in the instructions.** Charging improperly

or at temperatures outside the specified range may damage the battery and increase the risk of fire.

SERVICE

- **Have your power tool serviced by a qualified repair person using only identical replacement parts.** This will ensure that the safety of the power tool is maintained.
- **Never service damaged battery packs.** Service of the battery packs should only be performed by the manufacturer or authorised service providers.

RIDE-ON MOWER SAFETY WARNINGS

TRAINING

- When using the product, the safety rules must be followed. For your own safety and that of bystanders, please read these instructions before operating the product. Please keep the instructions safe for later use.
- Allow only responsible adults, who are familiar with and understand the instructions, to use the product.
- Be familiar with the controls and the correct use of the product.
- Always use safety protective devices. Do not use the product without the side discharge chute in place and working properly. The mulch cover should be correctly installed and working properly during mulching operation.
- Be aware of possible hazards when not using the product or when changing accessories. Following this rule will reduce the risk of electric shock, fire, or serious personal injury.
- Never carry passengers or children, even when the blades have stopped. They may fall off and be seriously injured or interfere with the safe operation of the product. Children who have been given rides in the past may suddenly appear in the mowing area for another ride and be run over or backed over by the product.
- Keep in mind that the operator or user is responsible for accidents or hazards occurring to other people or their property.
- Never allow children or people with reduced physical, sensory, or mental capabilities or

persons not familiar with these instructions to operate, clean, or maintain the product. Local regulations may restrict the age of the operator. Children should be adequately supervised to ensure they do not play with the product.

- Follow the manufacturer's instructions for proper operation and installation of accessories. Use only accessories approved by the manufacturer. The use of other accessories may increase the risk of injury.
- Never interfere with the intended function of a safety device or reduce the protection provided by a safety device. Check the proper operation of the safety devices regularly.
- Never tamper with safety devices. Check the proper operation of the safety devices regularly.
- Never use the product while people, especially children, or pets are within 15 m because of the danger of objects being thrown by contact with the blade.
- Do not use the product when there is a risk of lightning.
- Do not operate the product in poor lighting. The operator requires a clear view of the work area to identify potential hazards.
- Keep hands and feet away from the cutting area, which is located under the mower deck and inside the side discharge chute. Keep clear of the side discharge chute opening at all times. Do not reach under the mower deck.
- Follow instructions for changing accessories.

PREPARATION

- Wear heavy, long trousers, long sleeves, and sturdy anti-slip footwear. Do not wear short trousers, sandals, or go barefoot. Avoid wearing clothing that is loose fitting or that has hanging cords or ties.
- Always wear safety glasses with side shields. Use a face mask if operation is dusty.
- Objects struck by the blade can cause severe injuries to persons. Thoroughly inspect the area where the product is to be used, and remove all rocks, sticks, metal, wire, bones, toys, or other foreign objects.

Remember, string or wire may entangle with the blades.

- Before use, always visually inspect the product to ensure that blades, blade nuts, and the cutter assembly are not worn or damaged.
- Replace worn or damaged blades and nuts in sets to preserve balance.
- Replace worn or damaged parts before operating the product.
- Never direct discharged material toward anyone. Plan the mowing pattern to avoid discharge of material toward bystanders, roads, sidewalks, windows, and cars. Also, avoid discharging material against a wall or obstruction, which may cause the material to ricochet back toward the operator.

OPERATION

- The product must be started with the user properly seated and behind the steering wheel. Never start the product if:
 - not all four wheels are on the ground
 - the side discharge chute is exposed and is not protected by the bagging kit or mulch cover
 - hands and feet of all persons are not clear of the cutting enclosure
- Disengage the blades when the product is not in use.
- Never use the product in a closed area.
- Stop the blade when crossing gravelly surfaces to avoid discharging gravel and rocks. Drive the product slowly and carefully to avoid loss of control.
- Turn on the motor carefully according to instructions, and keep hands and feet away from blades. Do not put hands or feet near or under rotating parts.
- Do not mow in reverse unless absolutely necessary. Always look down and behind before and while reversing.
- Before and while reversing, look behind and down for small children, bystanders, and pets.
- Use extra care when approaching blind corners, shrubs, trees, or other objects including overhanging shrubs, which may block your view.
- Slow down before turning.
- Slopes are a major factor related to loss of

control and tip-over accidents, which can result in severe injury or death. Operation on all slopes requires extra caution. If you cannot back up the slope or if you feel uneasy on it, do not mow it. Never use the product on steep slopes greater than 15°. Make a copy or cut out the "Slope Guide" at the back of this manual and use it to determine if your slope is too steep for safe operation.

- Never attempt to ride on a steep slope or mow a slope that is greater than 15°.
 - Mow up and down; not across the face of slopes.
 - Avoid holes, ruts, bumps, rocks, property stakes, or other hidden objects. Uneven terrain could overturn the product. Tall grass can hide obstacles.
 - Use a slow speed so you will not have to stop suddenly or accidentally accelerate while on a slope.
 - Do not mow on wet grass when on a slope. Tyres may lose traction and you may lose control.
 - Always keep the direction control switch in the forward position when going down slopes. Do not shift to neutral and coast downhill, which may cause you to lose control of the product.
 - Avoid starting, stopping, or turning on a slope. If the tyres lose traction, disengage the blades and proceed slowly straight down the slope.
 - Keep all movement on slopes slow and gradual. Do not make sudden changes in speed or direction, which could cause the product to roll over.
 - Use extra care while using the product with attachments; they can affect the stability of the product. Do not use on steep slopes greater than 15°.
 - Do not try to stabilize the product by putting your foot on the ground.
 - Do not use the product near drop-offs, ditches, excessively steep slopes, or embankments. The product could suddenly roll over if a wheel goes over the edge or if the edges caves in and result in death or serious personal injury.
- Never leave a running product unattended. Always turn off the blades, engage the parking brake, stop the motor, and remove the start key before dismounting.

- Watch for traffic when operating near roadways. Do not operate the mower on roadways.

ADDITIONAL CHARGER SAFETY WARNINGS

- The charger is for indoor use only.
- Do not recharge primary cells (non-rechargeable).
- Before every use, examine the supply cord for damage. If there are signs of damage, it must be replaced by a qualified person at an authorised service centre to avoid a hazard.
- Charge the product indoors, in a well ventilated area. Do not charge the product in a confined space.
- The charger is equipped with a plug featuring a grounding pin and must be plugged into a matching outlet that has been properly installed and grounded in accordance with all local codes and ordinances. Do not use adaptors or modify the plug provided. If it does not fit the outlet, have the proper outlet installed by a qualified electrician. The metal enclosure of the charger is not earthed.

ADDITIONAL BATTERY SAFETY WARNINGS

⚠ WARNING

To reduce the risk of fire, personal injury, and product damage due to short circuit, never immerse your tool, battery pack, or charger in fluid or allow a fluid to flow inside them. Corrosive or conductive fluids, such as seawater, certain industrial chemicals, and bleach or bleach-containing products, etc., can cause a short circuit.

⚠ WARNING

Risk of fire, explosion, or burns. Do not disassemble, expose to heat above 60°C, or incinerate the battery pack.

- The battery pack contains acid. If acid comes in contact with skin or clothing, flush immediately with water for 10 minutes. If liquid comes in contact with eyes, seek medical help immediately.

- Do not charge battery packs that show signs of leaks. Dispose of them properly.

BATTERY PACK REMOVAL AND PREPARATION FOR RECYCLING

To preserve natural resources, recycle or dispose of batteries properly.

The product contains lead-acid batteries. Local regulations may prohibit disposal of lead-acid batteries in ordinary trash. Consult your local waste authority for information regarding available recycling and/or disposal options.

⚠ WARNING

Upon removal, cover the battery pack terminals with heavy-duty adhesive tape. Do not attempt to destroy or disassemble battery pack or remove any of its components. Lead-acid batteries must be recycled or disposed of properly. Never touch both terminals with metal objects and body parts as short circuit may result. Keep away from children. Failure to comply with these warnings could result in fire and/or serious injury.

TRANSPORTATION AND STORAGE

- Turn off the product, engage the parking brake, and remove the start key. Make sure that all moving parts have come to a complete stop. Allow the product to cool down before storing or transporting.
- Clean all foreign materials from the product. Store the product in a cool, dry, and well-ventilated place that is inaccessible to children. The start key should also be removed and stored in a separate location out of the reach of children.
- Keep the product away from corrosive agents such as garden chemicals and de-icing salts. Do not store the product outdoors.
- Use extra care when loading or unloading the product onto a trailer or truck. Step on the brake pedal as needed to control the speed. The product will freely roll if it is moved on an inclined surface without stepping on the brake pedal or engaging the parking brake. When loading or unloading the product, do not exceed the maximum recommended operation angle of 15°.

⚠ WARNING

Use extreme caution when lifting or tilting the product for maintenance, cleaning, storage, or transportation. The blade is sharp. Keep all body parts away from the blade while it is exposed.

TRANSPORTING LEAD-ACID BATTERIES

Transport the battery in accordance with local and national provisions and regulations.

Follow all special requirements on packaging and labelling when transporting batteries by a third party. Ensure that no batteries can come in contact with other batteries or conductive materials while in transport by protecting exposed connectors with insulating, non-conductive caps or tape. Do not transport batteries that are cracked or leaking. Check with the forwarding company for further advice.

TOWING SAFETY WARNINGS

⚠ WARNING

Use extreme caution when towing the product. The blade is sharp. Keep all body parts away from the blade while it is exposed.

- Use common sense when towing. Too heavy of a load while on a slope is dangerous. Tyres can lose traction with the ground and cause you to lose control of the product.
- Follow the manufacturer's recommendations for wheel weights or counterweights.
- Total towed weight must not exceed the maximum towing load of 226.8 kg (500 lbs.).
- Attach tow equipment only at the hitch plate.
- Never allow children or others on the towed equipment.
- Stopping distance increases with speed and weight of load being towed. Travel slowly and allow extra time and distance to stop.
- Do not turn sharply when towing. Use additional caution when turning or operating under adverse surface conditions. Use care when reversing.

MAINTENANCE

⚠ WARNING

Use only original manufacturer's replacement parts, accessories and attachments. Failure to do so can cause possible injury, can contribute to poor performance, and may void your warranty.

⚠ WARNING

Servicing requires extreme care and knowledge and should be performed only by a qualified service technician. Have the product serviced by an authorised service centre only. When servicing, use only original replacement parts.

- Maintain the product with care and in good working condition. Keep blades sharp and guards in place and in working order. To prevent serious personal injury, prevent damage to the product, and to maintain best performance, replace damaged, bent, cracked, or unevenly worn out blades. An unbalanced blade causes vibration that could damage the motor drive unit or could cause personal injury.
- Never make any adjustments or repairs while the motor is running and the blades are moving.
- Remove the start key from the product before storing, servicing, or changing accessories. Such preventive safety measures reduce the risk of starting the product accidentally.
- Turn off the product, engage the parking brake, and remove the start key. Make sure that all moving parts have come to a complete stop:
 - before leaving the product unattended (including disposal of grass clippings).
 - before clearing blockages or unclogging discharge chute
 - before checking, cleaning, or working on the product
 - before removing the mulch cover
 - before opening the grass discharge chute cover
 - after striking a foreign object
 - thoroughly inspect the product for any damage



- replace the blade if it is damaged in any way
- repair any damage before restarting and continuing to operate the product.
- whenever the product starts to vibrate abnormally (check immediately)
 - inspect for damage, particularly the blades
 - replace the blade if it is damaged in any way
 - replace or repair any damaged parts
 - check for and tighten any loose parts
- You may make adjustments and repairs described in this manual. For other repairs, have the product serviced by an authorised service centre only.
- Contact an authorised service centre to replace damaged or unreadable labels.
- Service on the product and the charger must be performed by qualified repair personnel only. Service or maintenance performed by unqualified personnel could result in injury to the user or damage to the product.
- Check all nuts, bolts and screws at frequent intervals for proper tightness to ensure that the product is in safe working condition.
- The blade bolts must be tightened to the recommended torque.
- Check the brakes before each use and frequently during use. Adjust and service as required.
- The side discharge chute is a spring-loaded guard that covers the side discharge opening on the cutting deck and deflects grass clippings and debris away from the operator. Always ensure that the motor is off and the blades have stopped moving before inspecting, moving, cleaning, or performing maintenance on the side discharge chute.
- Replace worn or damaged parts for safety.
- Replace damaged blades and bolts in sets to preserve balance.
- Be careful during adjustment of the product to prevent entrapment of the fingers between moving blades and fixed parts of the product.
- The cutting blades continue to rotate for a few seconds after the motor is shut off. When servicing the blades, be aware that

even though the power source is switched off, the blades can still be moved. Never place any part of the body in the blade area until you are sure the blades have stopped rotating.

- The blade on the product is sharp. Use extreme caution and wear heavy-duty gloves when fitting, replacing, cleaning or checking bolt security.
- After each use, clean the product with a soft, dry cloth. Any part that is damaged should be properly repaired or replaced by an authorised service centre.
- Keep the product free of grass, leaves, or other debris build up.
- Do not use water to clean the product. Use an air moving device, such as a compressor or leaf blower to clean the product.

CLEARING BLOCKAGES

- Turn off the product, engage the parking brake, and remove the start key. Set the cutting deck to the maximum height. Make sure that all moving parts have come to a complete stop.
- Always wear heavy-duty gloves when checking or clearing a blockage. The blades are sharp and the blockage itself could be a sharp object.
- Check and carefully clear the side discharge chute for blockages.
- If any blockages are found, remove carefully. Remember the blade may move during cleaning.

RESIDUAL RISKS

Even when the product is used as prescribed, it is still impossible to completely eliminate certain residual risk factors. The following hazards may arise during use, and the operator should pay special attention to avoid the following:

- injury caused by vibration
 - Always use the right tool for the job. Use designated handles and restrict working time and exposure.
- injury caused by exposure to noise
 - Wear ear protection and limit exposure.
- injury from contact with the blades
 - Keep unprotected body parts away from the blades at all times.



- injury caused by thrown objects
 - Wear full eye protection at all times.

RISK REDUCTION

It has been reported that vibrations from handheld tools may contribute to a condition called Raynaud's Syndrome. Symptoms may include tingling, numbness and blanching of the fingers, usually apparent upon exposure to cold. Hereditary factors, exposure to cold and dampness, diet, smoking and work practices are all thought to contribute to the development of these symptoms. There are measures that can be taken by the operator to possibly reduce the effects of vibration:

- Keep your body warm in cold weather. When operating the product, wear gloves to keep the hands and wrists warm. It is reported that cold weather is a major factor contributing to Raynaud's Syndrome.
- After each period of operation, exercise to increase blood circulation.
- Take frequent work breaks. Limit the amount of exposure per day.

If you experience any of the symptoms of this condition, immediately discontinue use and see your physician.

⚠ WARNING

Injuries may be caused, or aggravated, by prolonged use of a tool. When using any tool for prolonged periods, ensure you take regular breaks.

WHAT'S IN THE BOX

- Ride-on mower x 1
- Seat assembly x 1
- Tool kit and accessory box
 - Open-ended spanners x 2
 - Allen wrench x 1
 - Torx wrench x 1
 - Start keys x 2
 - Mulch cover x 1
 - Operator manual x 1
 - Quick start guide x 1
 - Assembly guide x 1
- Steering column assembly box
- Charger x 1

NOTE: For a complete list of the steering column assembly, see the "Loose Parts List" section.

SYMBOLS ON THE PRODUCT



Safety alert.



Read and understand all instructions before operating the product. Follow all warnings and safety instructions.



Keep all bystanders, especially children and pets, at least 30 m away from the operating area.



Never carry children or anyone, even when the blades are off.



Always look down and behind you before and during backing and make sure children, bystanders, and pets are clear of the area.



Do not operate on inclines greater than 15°. Mow up and down slopes, not across.



The guaranteed sound power level is 100 dB (A).



Keep hands and feet away from blade and cutting area. Do not step on the cutting deck or on the side discharge chute.



Keep all bystanders, especially children and pets, at least 30 m away from the operating area.



Beware of thrown or flying objects.

Never carry children or anyone, even when the blades are off.



Always look down and behind you before and during reversing, and make sure that children, bystanders, and pets are clear of the area.



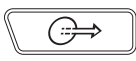
Keep hands and feet away from the blade and cutting area.



Brake
Step on the brake pedal to stop the product.



Parking brake



Accelerate
Step on the accelerator pedal to move forward or backward.



Charging port



Conforms to all regulatory standards in the country in the EU where the product is purchased



EurAsian Conformity Mark

The product can be operated in reverse with blades engaged when RMO button is pushed and red button light is on. Always look down and behind you before and when maneuvering in reverse. Mowing in reverse is not recommended.



Lift the blade engagement button up to engage. Press the blade engagement button down to disengage.



Cruise control allows the product to remain at a constant speed without the operator having to maintain pressure on the accelerator pedal. Refer to the "Setting the cruise control" section.



Waste electrical products should not be disposed of with household waste. Please recycle where facilities exist. Check with your local authority or retailer for recycling advice.



Ukrainian mark of conformity



For indoor use only



Time-lag fuse type



To reduce the risk of injury, user must read and understand user's manual before using this product.



Burst hazard



To reduce the risk of injury or damage, avoid contact with any hot surface.



Failure to use in dry conditions and to observe safe practices can result in electric shock.



Electric shock hazard.



Always unplug the charger from the power supply before connecting to or disconnecting from the battery.



Do not expose to rain or use in damp locations.



Do not expose to rain or use in damp condition.



Keep away from all sources of ignition, sparks, and flames. Do not cover any ventilation slots, and provide adequate ventilation during operation.



Keep out of the reach of children or untrained individuals.



Wear eye protection.



The battery pack contains acid. If acid comes in contact with skin or clothing, flush immediately with water for 10 minutes.



If liquid gets into your eyes, flush them with clean water for at least 10 minutes, then seek immediate medical attention



Non-spillable. Battery must be recycled.



The product contains lead-acid batteries. Local regulations may prohibit disposal of lead-acid batteries in ordinary trash. Consult your local waste authority for information regarding available recycling and/or disposal options.



Make sure that the side discharge chute is fully closed before operating the product.



Do not operate the product when the side discharge chute is open.



Driving the mower



Insert the start key, and turn the key to the ON position.



Set the direction control switch in the forward (F) position.



Step on the brake pedal to disengage the parking brake.



Pull up the blade engage knob to activate the blades.



Step on the accelerator pedal to mow the lawn.



Mowing in reverse



Step on the brake pedal, and bring the mower to a complete stop.



Push down the blade engage knob to turn off the blades.



Press the reverse mode button.



Pull up the blade engage knob to activate the blades.



Set the direction control switch in the reverse (R) position.



Step on the accelerator pedal, and reverse mow as needed.



Parking the mower



Stop the mower on a flat, level surface. Do not stop the product on slopes.



Step on the brake pedal, and engage the parking brake.



Set the direction control switch in the neutral (N) position.



Push down the blade engage knob to turn off the blades.



Turn the key to the OFF position.



Stopping the mower



Push down the blade engage knob to turn off the blades.



Step on the brake pedal.



Engage the parking brake.



Turn the key to the OFF position.



Remove the start key.

CAUTION

(Without Safety Alert Symbol) Indicates a situation that may result in property damage.

EN
FR
DE
DA
SV
FI
NO

SYMBOLS IN THIS MANUAL



Parts or accessories sold separately



Note



Warning

The following signal words and meanings are intended to explain the levels of risk associated with this product:

DANGER

Indicates an imminently hazardous situation, which, if not avoided, will result in death, or serious injury.

WARNING

Indicates a potentially hazardous situation, which, if not avoided, could result in death, or serious injury.

CAUTION

Indicates a potentially hazardous situation, which, if not avoided, may result in minor, or moderate injury.



ASSEMBLY

⚠ WARNING

To reduce the risk of injury, read and understand the assembly section of this manual before attempting to assemble the product. Save this guide for future reference.

ASSEMBLY SAFETY RULES

⚠ WARNING

Strictly adhere to all torque wrench tightening specifications. Failure to do so could cause serious personal injury.

All information, illustrations, photographs, and specifications contained in this manual are based on the latest product information available at the time of publication. Due to improvements or other changes, there may be some discrepancies in this manual. We reserve the right to make product changes at any time, without notice and without incurring any obligation to make the same or similar changes to any products previously built or sold.

- Any person attempting to assemble the product must have proper training and experience. Read this manual carefully and follow all assembly procedures in this manual.
- All assembly must be completed with the product on a level surface.

REQUIRED TOOLS

The following tools are needed for assembly:

- Torque wrench
- Tyre pressure gauge
- Socket wrench
 - 12 mm socket
 - 13 mm socket
 - 6 mm hex bit

UNPACKING

See fig. 1

- Remove the bolts securing the corner and side braces to the frame bottom, then lift the braces to remove.
- Cut the nylon straps securing the front and rear wheel axles to the frame.
- Remove the boxes containing loose parts, assembly hardware, and documentation.
- Remove and set aside all accessible packaging and wrap from the unit and parts. Do not discard the packing material until you have carefully inspected and satisfactorily operated the product.

⚠ WARNING

If any parts on the "Loose parts list" section are already assembled to the product when you unpack it, verify that the part is assembled correctly, is properly tightened, and is torqued correctly (where applicable) before proceeding to the next assembly step. Use of a product that may have been improperly assembled could result in serious personal injury.

- Inspect the product carefully to ensure that no breakage or damage occurred during shipping.
- If any parts are damaged or missing, contact an authorised service centre.
NOTE: The product should be assembled while positioned on the frame bottom. Once assembly is complete, set the cutting deck to its maximum height, then position a ramp next to the frame bottom, and slowly and carefully drive the product off the frame.

⚠ WARNING

Use care when driving the product off of the frame, and step on the brake pedal as needed to control the speed. The product freely rolls if it is moved on an inclined surface without stepping on the brake pedal or engaging the parking brake. Failure to follow these instructions can result in loss of control and result in death, serious personal injury, or property damage.

⚠ WARNING

If no ramp is available, slowly and carefully drive the product off the frame in reverse while looking down and behind. Driving the product off the frame in the forward direction without a ramp can cause damage to the cutting deck.

EN
FR
DE
DA
SV
FI
NO

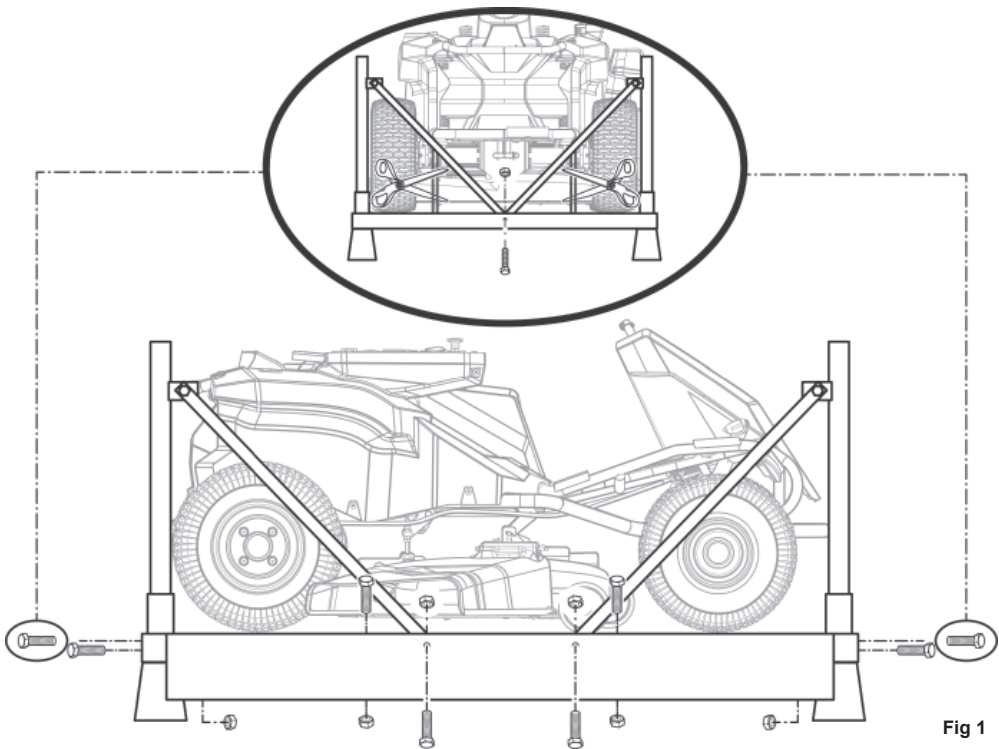


Fig 1

LOOSE PARTS LIST

1. Seat assembly x 1
2. Steering column assembly
Upper steering shaft x 1
Bolts x 2
Steering column x 1
Steering column cover x 1
Flange washers x 2
Spring x 1
Steering wheel hub x 1
Steering wheel x 1
Flat washer x 1
Flange nut x 1
Steering wheel cover x 1

3. Charger x 1
4. Bumper x 1
5. Start keys x 3

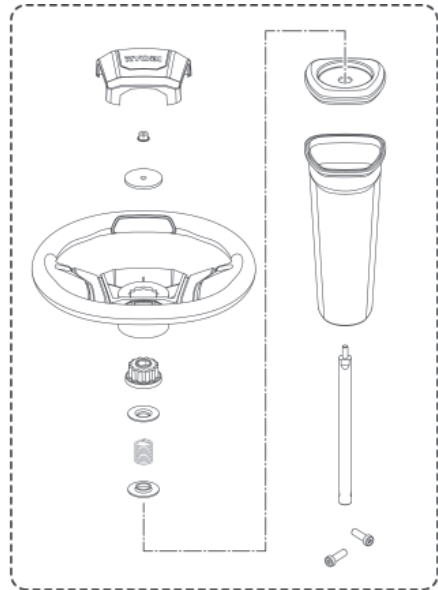
⚠ WARNING

If any parts are damaged or missing do not assemble the product until the parts are replaced with new original manufacturer's parts. Assembling the product with damaged, missing, or incorrect parts could result in serious personal injury.

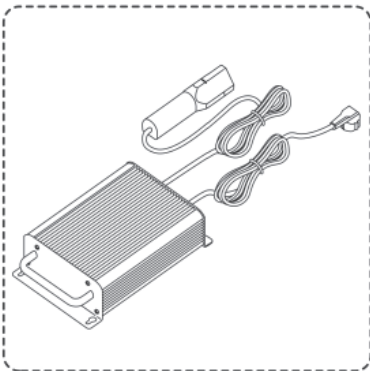
1.



2.



3.



4.



5.



⚠ WARNING

Strictly adhere to all torque wrench tightening specifications. Failure to do so could cause serious personal injury.

⚠ WARNING

Do not attempt to modify the product or create accessories not recommended for use with the product. Any such alteration or modification is a misuse and could result in a hazardous condition leading to possible serious personal injury.

⚠ WARNING

To prevent accidental starting that could cause serious personal injury, always remove the start key from the product when assembling the parts.

CONNECTING THE BATTERY

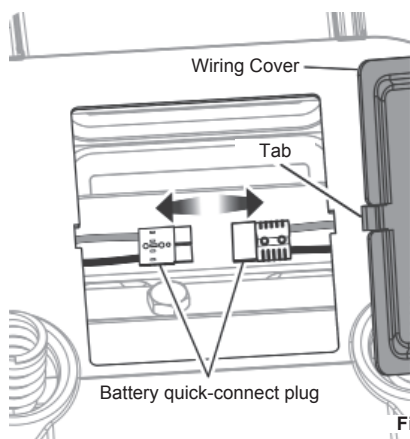
See fig. 2

When shipped from the factory, the product's batteries are disconnected.

To connect:

1. Press the tabs on the wiring cover, and lift the cover to remove.
2. Connect the two ends of the battery quick-connect plug together.

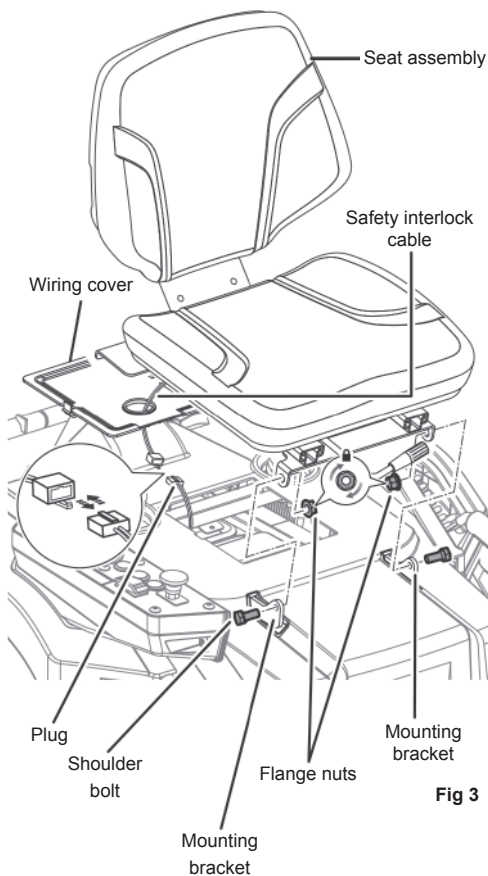
NOTE: Before reinstalling the wiring cover, install the seat as described in the next section.



INSTALLING THE SEAT

See fig. 3

1. Remove the bolts and flange nuts from seat mounting brackets.
2. Place the seat assembly over the mounting brackets, aligning the holes as shown.
3. Reinstall and securely tighten the bolts and flange nuts.
4. Route the seat safety interlock cable through hole in the wiring cover, then connect to the plug on the mower.
5. Reinstall wiring cover, and ensure that it is securely seated.



INSTALLING THE STEERING COLUMN

See fig. 4 - 5

1. Install the upper steering shaft into the coupler, rotating as needed to align the hole in the shaft with bolt hole in the coupler.
2. Install two bolts, and tighten securely to 20 Nm torque.
3. Insert the steering column over the shaft. Note the tabs on the bottom of the steering column that fit into the holes in the opening and make sure that the steering column is securely seated.
4. Install the steering column cover so that it is seated securely. The upper steering shaft protrudes through the opening in the cover.
5. Install the flange washer (flange up), the spring, the second flange washer (flange down), and the steering wheel hub onto the upper steering shaft.
6. Ensure the mower's wheels are pointed straight ahead, then install the steering wheel over the wheel hub.
7. Install the flat washer and flange nut. Securely tighten the nut to 25 Nm torque.
8. Install the steering wheel cover.

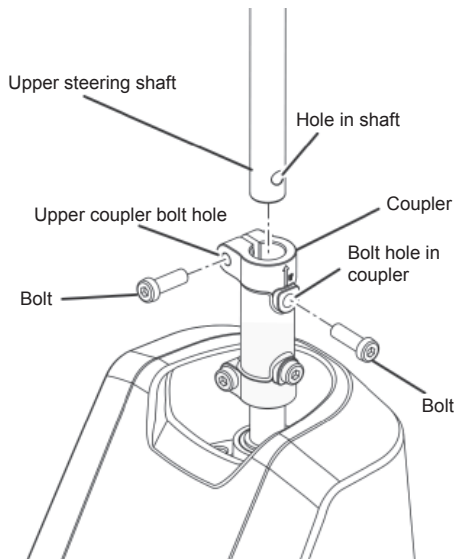


Fig 4

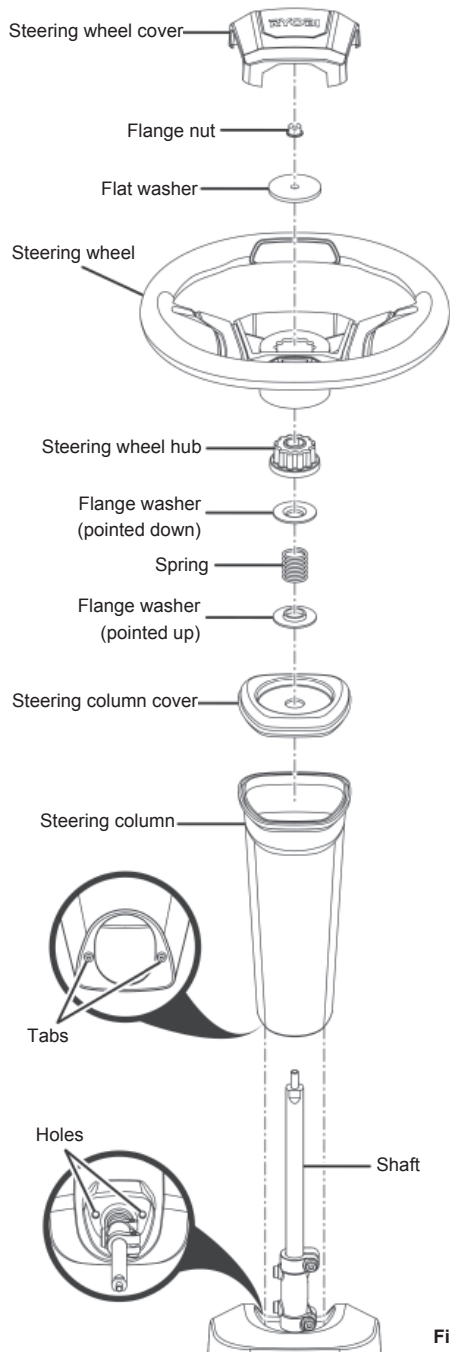


Fig 5

INSTALLING THE BUMPER

See fig. 6

1. Remove the flange nuts and hex head bolts that secure the bumper cover to the mower frame.
2. Install the bumper into the openings at the front of the mower frame as shown.
3. Align the holes in the bumper, the mower frame, and the bumper cover. Reinstall and securely tighten the hex shoulder bolts and flange nuts.

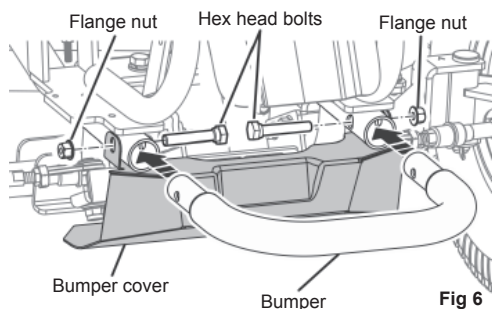


Fig 6

CHARGING THE PRODUCT

See fig. 7 - 8

Mower batteries must be charged for 24 hrs. before first use. To verify that the mower batteries are fully charged, check the battery level indicator.

For best results:

- Do not charge in an area of extreme heat or cold. The batteries charge best at temperatures from 0 °C to 40 °C.
- Never charge a frozen battery.
- Mount or place the charger in an area with adequate ventilation, without covering the cooling fins.
- Make sure that both the charger and mower connections are clean and free of dirt or debris.

To charge:

1. Insert the charger plug into the charging port on the mower, making sure that it is properly connected.
2. Connect the charger to a power supply using normal household current of 220-240 VAC, 50 / 60 Hz. The batteries should automatically begin to charge.

3. When you are ready to mow, disconnect the charger from the power supply, then disconnect the charger from the mower.

NOTE: The charger is equipped with a plug featuring a grounding pin and must be plugged into a matching outlet that has been properly installed and grounded in accordance with all local codes and ordinances. Do not use adaptors or modify the plug provided. If it does not fit the outlet, have the proper outlet installed by a qualified electrician. The metal enclosure of the charger is not earthed.

When powered, the LED indicator on the charger illuminates to indicate the charger's status. Refer to the following chart to determine the meaning of the LED's display.

⚠ WARNING

Always turn the power switch to the OFF position and remove the start key when charging the product and when the product is not in use.

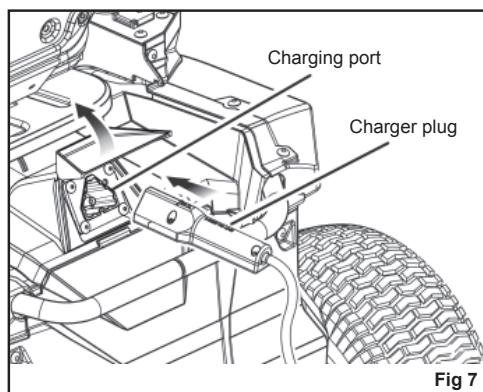


Fig 7

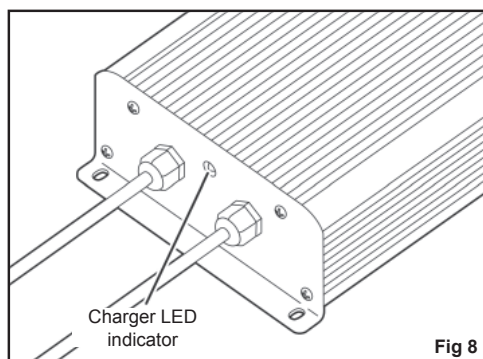


Fig 8

⚠ WARNING

Leave the charger connected to mower when it is not in use. If it is not possible to leave the mower charger connected, make sure to fully charge the batteries at least once a month.

⚠ WARNING

Charge the product indoors, in a well-ventilated area. Do not charge the product in a confined space.

CHARGER LED INDICATOR

Charger status	Connected to		LED		Action
	Power supply	Mower	Charger	Mower	
Standby	Yes	No	On	Off	Ready to charge battery pack.
Charging	Yes	Yes	On	Slow flashing	—
Charger error	Yes	Yes	Off	Fast flashing	Battery temperature, battery capacity, or charger may be faulty.
	<ul style="list-style-type: none"> • If the LED status shows error, wait for about 15 minutes to allow the battery and charger to cool down. • If the LED status repeats a second time, reset the charger or reinsert the battery. • If a different charger charges normally, the charger may be defective. • If a different battery charges normally, battery capacity may be faulty. 				
Fully charged	Yes	Yes	On	On	Fast charging is complete; charger maintains charge mode.
Interlock	No	Yes	Off	Fast flashing	The plug is still connected to the mower. The mower cannot be started.
Defective	Yes	Yes	On	Fast flashing	Battery pack could be defective.
	<ul style="list-style-type: none"> • If the LED status shows defective, reset the charger or reinsert the battery. • If the LED status repeats a second time, try charging a different battery. • If a different battery charges normally, dispose of the defective pack (see maintenance section). 				

FINAL CHECKS

EN
FR
DE
DA
SV
FI
NO

CHECKING THE TYRE AIR PRESSURE

Check the air pressure in all tyres before use. Improper air pressure affects handling, steering response, traction, tyre life, level cutting, and operator comfort. Ensure that tyres are inflated to the recommended pressure (1.6 bar).

NOTE: Measured or adjust air pressure only when the tyres are cold.

⚠ WARNING

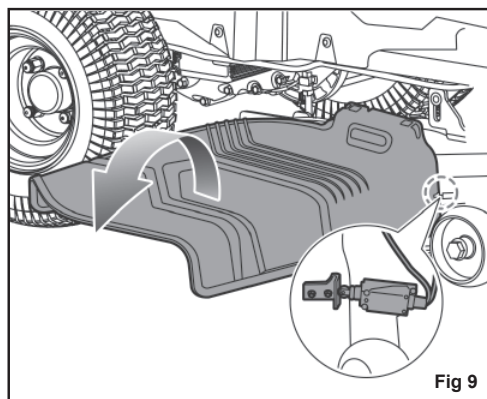
Check the tyre pressure carefully while inflating. Too much air in the tyre could cause the tyre to burst, causing serious personal injury.

CHECKING THE SIDE DISCHARGE CHUTE SAFETY INTERLOCK SYSTEM

See fig. 9

Before using the product, check that the side discharge chute is properly closed. The side discharge chute has an interlock system that stops the blades if the side discharge chute is opened while the blades are running.

Stop using the product and have it serviced by an authorised service center if the blades do not stop when the side discharge chute is lifted during use by an obstacle.



TESTING THE OPERATOR PRESENCE SAFETY INTERLOCK SYSTEM

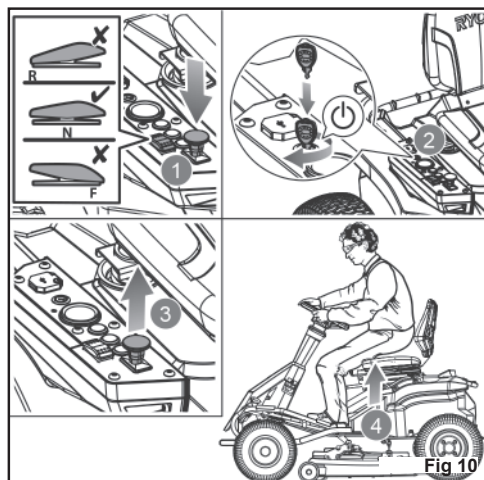
See fig. 10

The safety interlock system stops the blades if the operator leaves the mower while the blades are running. Test the system before each use to ensure that it is working correctly.

1. Make sure that the direction control switch is in neutral (N) position, and the blade engage knob is down.
2. Insert the start key, and turn the key to the ON position.
3. Pull up the blade engage knob to activate the blades.
4. Briefly stand up but do not get off the mower.

The blades should stop within 5 seconds. If the blades do not stop, contact an authorised service centre.

Do not operate the product until the safety interlock system has been repaired.



FEATURES

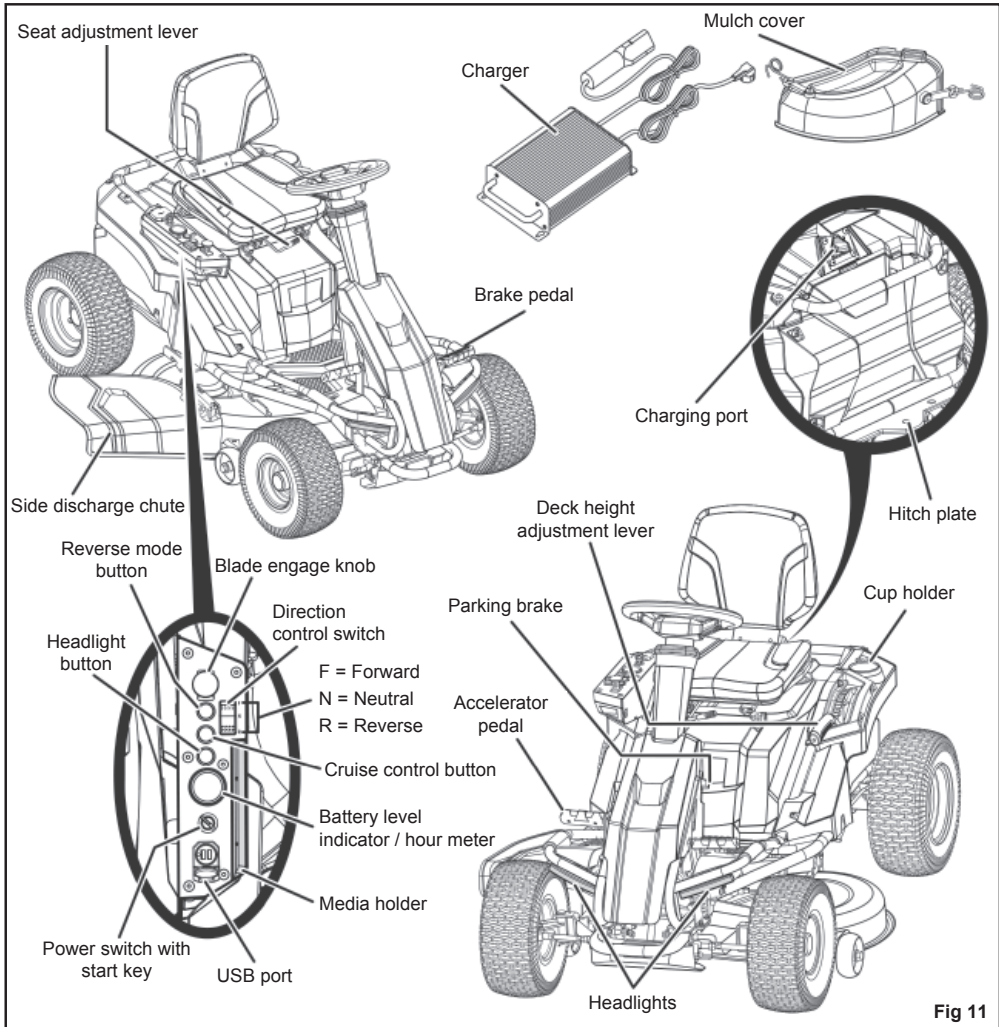


Fig 11

KNOW THE PRODUCT

See fig. 11

For safety, read and understand the information on the product and in this manual. Familiarise all operating features and safety rules before using the product.

ACCELERATOR PEDAL

The accelerator pedal controls the speed of the product.

BATTERY LEVEL INDICATOR / HOUR METER

The battery level indicator shows the amount of battery charge remaining. The hour meter tracks the total number of hours the product has been used (key in on position) for maintenance purposes.

BLADE ENGAGE KNOB

The blade engage knob activates or stops the cutting blades.

Pull up the blade engage knob to activate the cutting blades.

Push down the knob to stop the cutting blades. The blades should stop within 5 seconds. If the blades do not stop, contact an authorised service centre.

NOTE: For cutting in reverse, the reverse mode button must also be activated.

BRAKE PEDAL

The brake pedal slows down or stops the product.

CHARGER

The charger recharges the batteries of the mower. It has a key hole hanging feature for convenient, space-saving storage. When hanging by the keyhole slots, use at least one additional screw in the hole in the mounting flange to secure in place. Always mount in such a way that the charger's LED status light is visible while charging.

CRUISE CONTROL BUTTON

The cruise control button allows the product to continue forward at a set speed without needing to step on the accelerator pedal.

DECK HEIGHT ADJUSTMENT LEVER

The deck height adjustment lever raises or lowers the cutting deck.

DIRECTION CONTROL SWITCH

The direction control switch controls the direction movement of the mower. Available settings are forward (F), neutral (N), and reverse (R).

HEADLIGHT BUTTON

The headlight button turns ON and OFF the headlights.

MEDIA HOLDER

The media holders provide a convenient place to store your mobile phone or MP3 player when charging with the USB port.

MULCH COVER

The mulch cover covers the side discharge chute, which allows the mower blade to cut and recut for finer clippings.

PARKING BRAKE

The parking brake locks the product in the brake position.

POWER SWITCH WITH START KEY

The power switch turns ON and OFF the product. The start key must be inserted before the switch can be operated. When the key is in the accessory position, the power switch is also used to power optional manufacturer-approved mower accessories.

OPERATOR PRESENCE SAFETY INTERLOCK SYSTEM

The operator presence safety interlock system stops the blades if the operator leaves the mower while the blades are running.

SEAT ADJUSTMENT LEVER

The seat adjustment lever moves the seat to the preferred position.

SIDE DISCHARGE CHUTE SAFETY INTERLOCK SYSTEM

The side discharge chute safety interlock system stops the blades if the side discharge chute is opened while the blades are running.

USB PORT

The USB charging port provides charging power of 5 V DC at up to 1 A for your cell phone, MP3 player, or other USB devices. Check the manual of your device for specific charging requirements.

Connect one end of a USB cable (not provided) to your device and the other end to the USB charging port on the product to charge your device.

NOTE: The USB port is powered only when the start key is in the ON position.

⚠ WARNING

Attempting to charge devices rated more than 1 A could damage the USB charging port and the mower. Always close the USB cover when not in use to prevent trapping debris in the port.

⚠ WARNING

Never use headphones or any electronic device, such as a smart phone or tablet, while operating the product. A lapse in concentration while operating the product may result in serious personal injury to the operator or a bystander.

HITCH PLATE

The hitch plate can be used to tow loads not more than 226.8 kg. (500 lbs.) in weight.

⚠ WARNING

Do not allow familiarity with products to make you careless. Remember that a careless fraction of a second is sufficient to inflict serious injury.

⚠ WARNING

Always wear eye protection with side shields. Failure to do so could result in objects being thrown into your eyes resulting in possible serious injury.

⚠ WARNING

Turn off the product, engage the parking brake, and remove the start key. Make sure that all moving parts have come to a complete stop before assembling parts, making adjustments, cleaning the product, or leaving the product unattended. This will prevent accidental starting that could cause serious personal injury.

⚠ WARNING

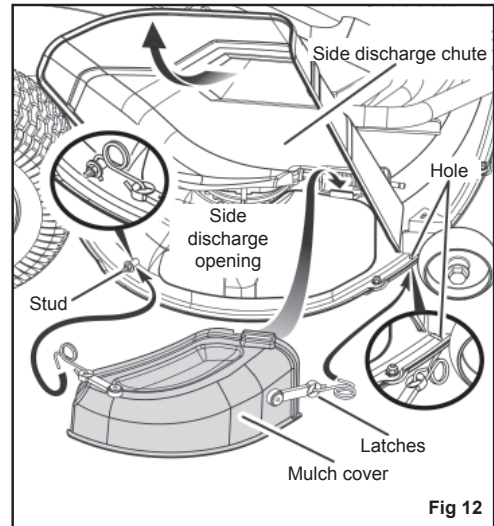
Always inspect the product for missing or damaged parts. Always check the blades for damage or uneven or excessive wear prior to use. Using the product with damaged or missing parts may result in serious personal injury.

INSTALLING THE MULCH COVER

See fig. 12

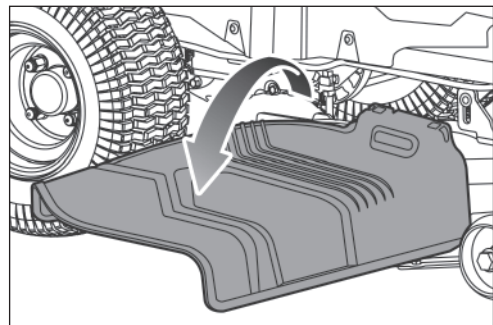
The product is configured for side discharge when shipped. If mulching is preferred:

1. Lift the side discharge chute.
2. Place the mulch cover on the tab on the mower housing.
3. Connect the mulch cover latches to the two side mounting points on the mower deck housing.
4. Release the side discharge chute.



⚠ WARNING

Ensure that the side discharge chute fully closes when finished. Failure to do so may cause serious personal injury.



ENGAGING THE PARKING BRAKE

See fig. 13

To engage the parking brake:

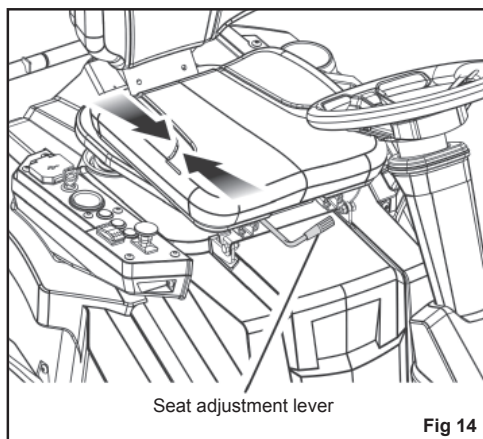
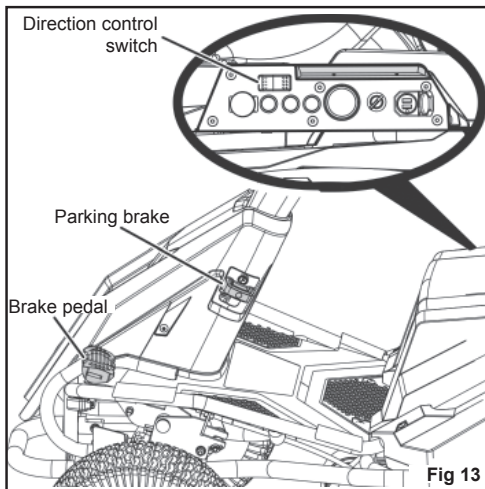
1. Place the direction control switch in the neutral (N) position.
2. Step on and hold the brake pedal.
3. Lift the parking brake lever all the way up and hold.
4. Release the brake pedal.
5. Release the parking brake lever.

To disengage the parking brake:

- Step on and release the brake pedal.

⚠ WARNING

Never leave the product unattended when the motor is running. Verify that the parking brake is engaged and the key has been removed. Failure to engage the parking brake could cause the product to move, and leaving the key could allow unauthorised use that could result in serious personal injury.



SETTING THE CUTTING DECK HEIGHT

See fig. 15

Before using the product, raise the deck height to the cutting position best suited for your lawn.

NOTE: To prevent scalping the lawn when encountering high spots, the cutting deck wheels should be positioned approximately 1.27 cm (1/2 in.) off the ground when the mower is at the desired cutting height. When shipped, the cutting deck wheels are set to the 3.81 cm (1.5 in.) position. Depending on your desired cutting height, you may need to change the position of the cutting deck wheels. To do so, refer to the "Adjusting Cutting Deck Wheels" section in this manual.

ADJUSTING THE SEAT

See fig. 14

Adjust the seat position to ensure that the user is able to make firm contact with the accelerator and brake pedals before operating the product.

To move the seat:

1. Sit down on the seat, and lift the seat adjustment lever.
2. While holding the lever, slide the seat to the preferred position.
3. Release the lever, and make sure that the seat is locked in position before operating the product.

⚠ WARNING

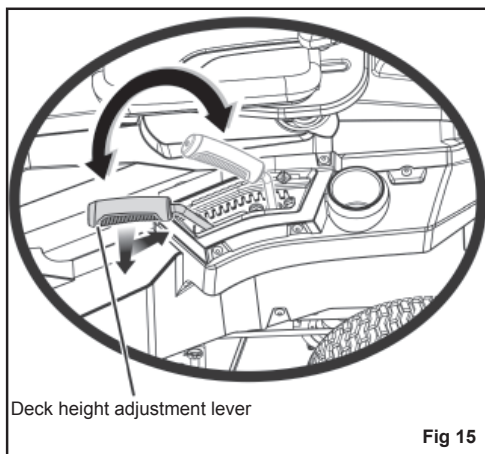
Ensure that the seat is locked into place before operating the mower. A seat that is not secure can cause the operator to shift and lose control of the mower and result in possible death or serious personal injury.

To adjust the cutting deck height:

1. Stop the product and disengage the blades.
2. Turn the start key to the OFF position and engage the parking brake.
3. To raise the cutting deck, grasp the deck height adjustment lever, push left to disengage from slot, move toward the back of the mower, then push right into slot to secure.
4. To lower the cutting deck, grasp the deck height adjustment lever, push left to disengage from slot, move toward the front of the mower, then push right into slot to secure.

⚠ WARNING

Hold the deck height adjustment lever firmly when setting the deck height and release only when it is secure in the desired slot. Quickly letting go of the lever may create a pinching or pulling hazard to the operator's hand.



SETTING THE CRUISE CONTROL

See fig. 16

Cruise control allows the product to remain at a constant speed without the operator having to maintain pressure on the accelerator pedal. It should only be used in the forward position on relatively smooth, straight surfaces, and should never be used on slopes or rough terrain.

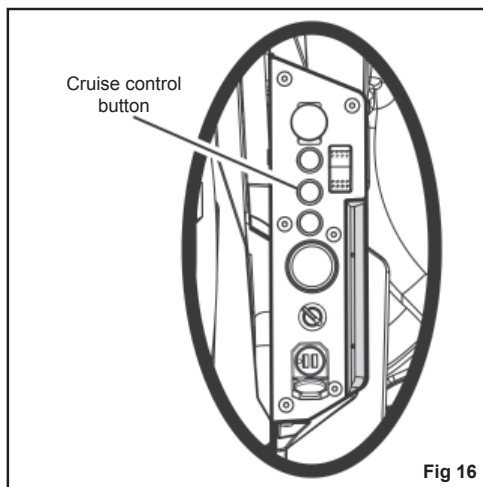
To set the cruise control:

While driving the product forward, press the accelerator pedal until the desired rate of speed is achieved.

1. Press the cruise control button. The light around the button illuminates to indicate that cruise control is active.
2. Release pressure on the accelerator pedal. Mower speed should remain constant.

To release the cruise control:

1. Tap on the accelerator pedal.
2. Release the brake pedal, or press the cruise control button again. The light around the cruise control button goes out to indicate that cruise control is no longer active.



USING THE PRODUCT

See fig. 17 - 18

⚠ WARNING

Clear the area of bystanders before operating the product. If anyone enters the mowing area, stop immediately and do not return to mowing until the bystanders leave the area.

Before starting the product:

- Ensure that the work area is clear of children, bystanders, and pets.
- Clear the work area of objects that may be thrown by the mower blades.
- Check the brake operation.
- Check the tyre pressure.
- Check for loose fasteners.
- Make sure that all guards are in place and working properly.
- Clean debris from mower.
- Check the side discharge chute safety interlock system
- Test the operator presence safety interlock system.
- Adjust the seat to the preferred position.
- Verify the battery charge level.

⚠ WARNING

When the level of battery charge reaches the red zone on the battery charge indicator, the blades automatically stop. Immediately return to the charging location, and recharge the mower. Continuing to mow when the battery charge level is in the red zone causes the mower to be stranded away from the charging area.

NOTE: If the mower is stranded away from the charger, set the direction control switch to the neutral (N) position, and push the mower back to the charging location.

⚠ WARNING

Use caution when crossing over gravelly paths or driveways. Before crossing, stop the blades and set the cutting deck to the maximum height to minimize the possibility of ricochet. Drive slowly to avoid loss of traction and control.

⚠ WARNING

Do not attempt to change the direction of operation while the mower is in motion. Always come to a complete stop before changing the mower direction.

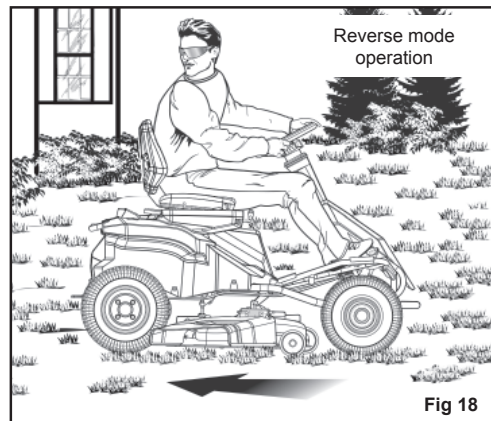
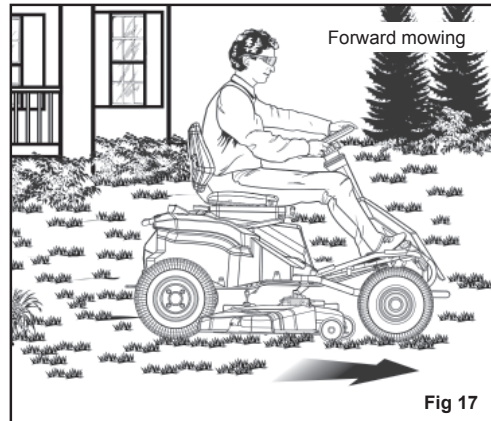
Mowing:

1. Set the cutting deck to the maximum height.
2. Insert start key, and turn the key to the ON position.
3. Disengage the parking brake.
4. Set the direction control switch in forward (F) position, and drive to desired mowing location.

⚠ WARNING

Be certain that you have correctly set your intended direction of travel with the direction control switch before pressing the accelerator pedal. Failure to do so could result in you driving the mower in an unintended direction, which could cause loss of control or an accident resulting in death, serious personal injury, or property damage.

5. Stop the mower, engage the parking brake, and turn the start key to the OFF position.
6. Set the cutting deck to the preferred position.
7. Turn the start key to the ON position, and disengage the parking brake.
8. Pull up the blade engage knob to activate the blades, and step on the accelerator pedal to mow the lawn.



Reverse mode operation:

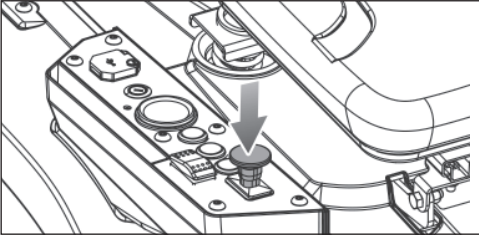
⚠ WARNING

The product will emit a constant beeping sound when operated in reverse with either the blade off or in reverse mode operation.

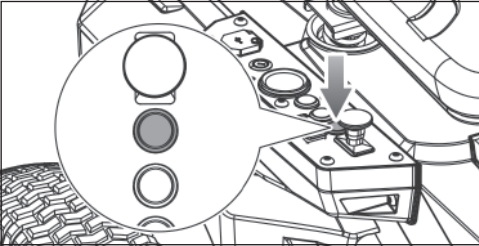
1. Step on the brake pedal, and bring the product to a complete stop.



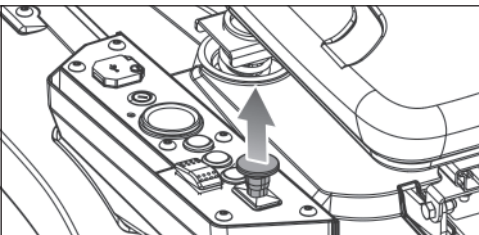
2. Push down the blade engage knob to stop the blades.



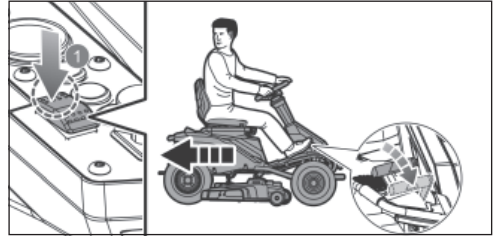
3. Press the reverse mode button.



4. Pull up the blade engage knob.



5. Set the direction control switch in reverse (R) position. Slowly step on the accelerator pedal, and reverse mow as needed.



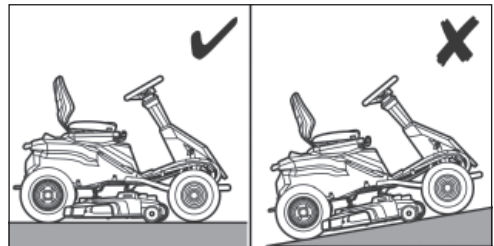
⚠ WARNING

Do not mow in reverse unless absolutely necessary. Always look down and behind before and while reversing to make sure no children, bystanders, or pets enter the mowing area. Be aware that the reverse mode operation is activated when the reverse mode button is illuminated in red and a constant beeping sound is emitted. Remember that a careless fraction of a second is sufficient to inflict death or serious injury.

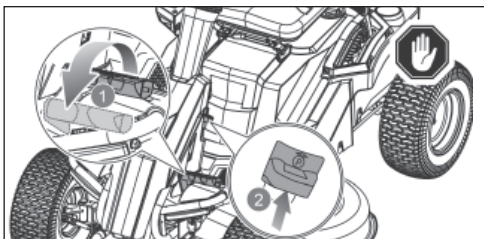
When mowing is complete:

⚠ WARNING

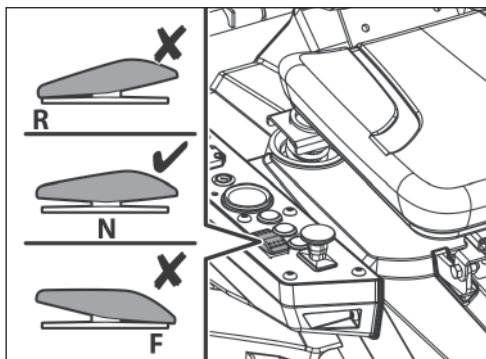
Stop the product on a flat, level surface. Do not stop the product on a slope.



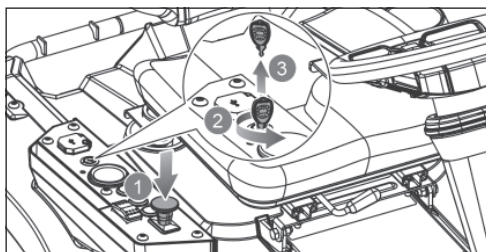
1. Step on the brake pedal, and engage the parking brake.



2. Set the direction control switch in the neutral (N) position.



3. Push down the blade engage knob to stop the blades. Turn the start key to the OFF position, and remove the key.



⚠ WARNING

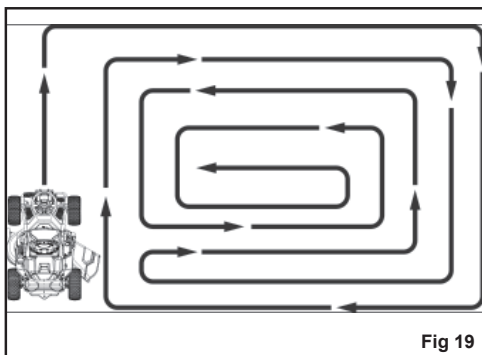
If the product emits a beeping noise after you leave the seat, verify that the parking brake is engaged and the key has been removed. Failure to engage the parking brake could cause the product to move, and leaving the key could allow unauthorised use that could result in serious personal injury.

NOTE: Reverse mode operation resets each time the power switch is turned to the OFF position.

MOWING TIPS

See fig. 19

- Keep the mower blades sharp.
- Make sure that the lawn is clear of stones, sticks, wires, toys, tree nuts, tree branches, and other objects that could damage the mower blades or motor. Do not mow over property stakes or other metal posts. Such objects could damage the blade or be accidentally thrown by the product in any direction and cause serious personal injury to the operator and others.
- For a healthy lawn, always cut off one-third or less of the total length of the grass.



- When mowing large areas, start by turning to the right so that clippings discharge away from shrubs, fences, and driveways. After one or two rounds, mow in the opposite direction, making left hand turns until finished.
- Mow so that discharged clippings exit in the direction of the lawn area that has already been cut.
- When cutting heavy grass, reduce speed for more effective cutting and a proper discharge of the clippings.
- Do not cut wet grass. Wet grass sticks to the underside of the deck and prevent proper mulching of grass clippings.
- New or thick grass may require a narrower cut or a higher cutting height.
- Keep the mower deck and side discharge chute clean. Remove grass clippings, leaves, dirt, and any other accumulated debris before and after each use. Do not spray the product with a garden hose to clean.

NOTE: Always stop product, allow blades to completely stop, and remove the start key before cleaning underneath the product.

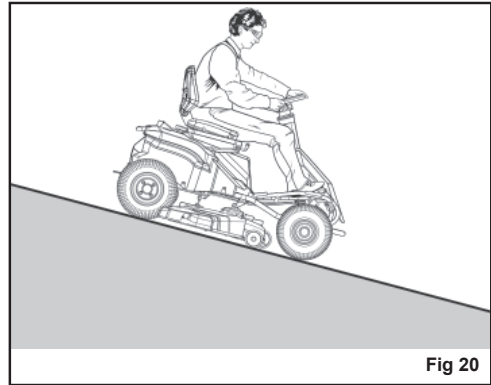
SLOPE OPERATION

See fig. 20

⚠ WARNING

Slopes are a major factor related to loss of control and tip-over accidents, which can result in severe injury or death. Operation on all slopes requires extra caution. If you cannot back up the slope or if you feel uneasy on it, do not mow it. Never use the product on steep slopes greater than 15°. Make a copy or cut out the “Slope Guide” at the back of this manual and use it to determine if your slope is too steep for safe operation.

- Mow up and down; not across the face of slopes.
- Do not mow on wet grass. Wet grass can cause the tyres to lose traction or slip on slopes, even though the brakes are functioning properly.
- Watch out for holes, ruts, rocks, hidden objects, or bumps which can cause you to slip or trip. Tall grass can hide obstacles. Remove all objects such as rocks and tree limbs, which could be tripped over or thrown by the blade.
- Do not mow near drop-offs, ditches, or embankments.
- Drive slowly, and do not make sudden changes in speed or direction.
- Avoid stopping on slope if at all possible. If stopping is unavoidable, make sure to engage the parking brake. When restarting, use lowest possible speed. If turning is necessary, exercise extreme caution when changing direction and always turn downhill.
- Never attempt to stabilize the mower on a slope by placing your foot on the ground during operation.
- Always use the brakes when travelling down the slope. Do not attempt to let the mower coast downhill in neutral.
- If at any point the tyres lose traction while operating on a slope, disengage the blades and proceed slowly and carefully straight down the slope.



TRANSPORTING THE PRODUCT

See fig. 21

⚠ WARNING

Use care when driving the product off of or onto a trailer or truck. Step on the brake pedal as needed to control the speed. The mower freely rolls if it is moved on an inclined surface without stepping on the brake pedal or engaging the parking brake. Failure to follow these instructions can result in loss of control and result in death, serious personal injury, or property damage.

⚠ WARNING

Use care when loading or unloading the product onto a trailer. Ensure that the cutting deck is raised to the highest position so that it is not caught on the ramp. The wheels on the product can go off the ramp or trailer, causing the product to pivot or tip over, and result in a crush hazard that can cause death or serious personal injury.

1. Park the product on a level surface.
 2. Set the cutting deck to the maximum height.
 3. Position and secure a ramp to the trailer according to manufacturer's instructions.
- NOTE:** Use one full width loading ramp that is at least 30.5 cm. wider than the mower to minimise the risk of the wheels going off the side of the ramp.
4. Slowly drive the product onto the ramp and into the trailer.
 5. Set the cutting deck to the lowest height.

6. Turn off the product, engage the parking brake, and remove the start key.
7. Secure the product as needed using straps or cables to prevent movement during transport.

⚠ WARNING

To avoid accidental starting or movement of the product that could result in serious personal injury, always remove the start key and engage the parking brake when transporting the product.

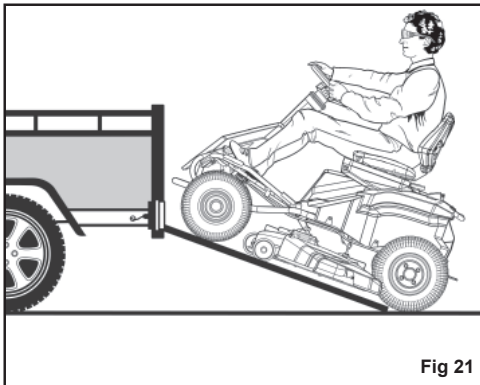


Fig 21

⚠ WARNING

Consequences of improper maintenance may cause the product or safety features to not function correctly, thus increasing the potential for serious injury. Keep the product professionally maintained and safe.

⚠ WARNING

When servicing, use only original replacement parts. Use of any other parts can create a hazard or cause product damage.

⚠ WARNING

Strictly adhere to all torque wrench tightening specifications. Failure to do so could cause serious personal injury.

⚠ WARNING

Before each use, inspect the entire product for damaged, missing, or loose parts such as screws, nuts, bolts, and caps. Tighten securely all fasteners and caps and do not operate this product until all missing or damaged parts are replaced. Please contact an authorised service centre.

MAINTAINING THE PRODUCT

⚠ WARNING

Turn off the product, engage the parking brake, and remove the start key. Make sure that all moving parts have come to a complete stop before performing any maintenance tasks to avoid accidental starting and possible serious personal injury.

⚠ WARNING

Always wear eye protection with side shields. Failure to do so could result in objects being thrown into your eyes resulting in possible serious injury.

General maintenance

Avoid using solvents when cleaning plastic parts. Most plastics are susceptible to damage from various types of commercial solvents and may be damaged by their use. Use clean cloths to remove dirt, dust, oil, and grease.

⚠ WARNING

Do not at any time let brake fluids, gasoline, petroleum-based products, and penetrating oils, come in contact with plastic parts. Chemicals can damage, weaken, or destroy plastic, which can result in serious personal injury.

Remove any build-up of grass and leaves on or around the motor cover. Wipe the mower clean with a dry cloth occasionally. Do not use water.

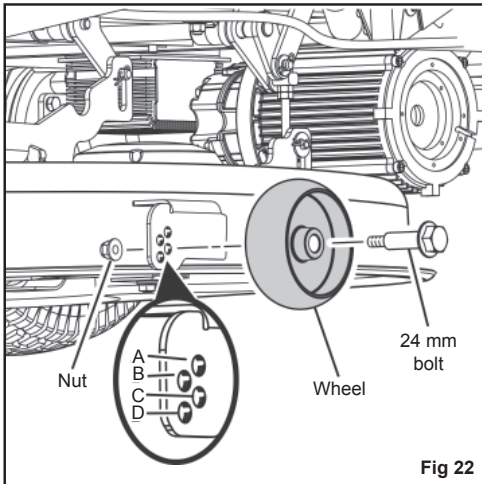
ADJUSTING CUTTING DECK WHEELS

See fig. 22

The cutting deck wheels should be positioned approximately 1.27 cm. (1/2 in.) off the ground when the mower is at the desired cutting height. This will minimize the chance of scalping the lawn in most situations. When shipped, the wheels are positioned in Position A.

To adjust the cutting deck wheels:

1. Park the product on a level surface and engage the parking brake.
2. Turn off the product, and remove the start key. Make sure that all moving parts have come to a complete stop.
3. Set the cutting deck to the preferred height setting.
4. Remove the nut and bolt securing the cutting deck wheel in place.
5. Move the wheel to the preferred position. Available hole positions are:
 - 3.81 cm. (1.5 in.) (A)
 - 4.44 cm (1.75 in.) (B)
 - 5.08 cm. (2 in.) (C)
 - 5.72 cm (2.25 in.) (D)
6. Replace the bolt and nut, and tighten securely. Torque nut to 5.42-8.13 Nm (4-6 ft. lbs.).
7. Repeat the steps with the remaining cutting deck wheel, making sure that both wheels are installed in the same position.



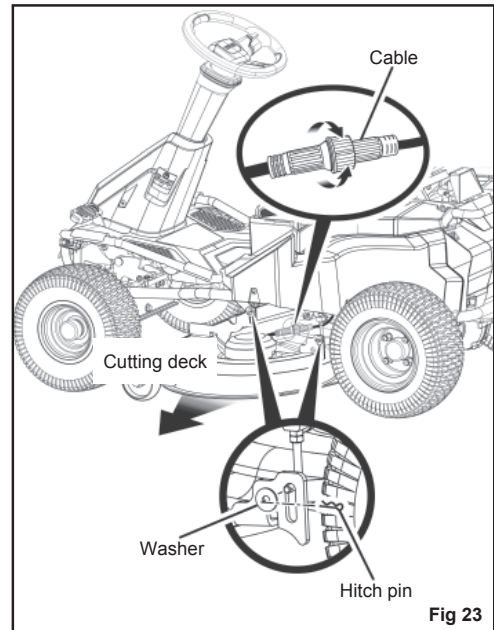
REMOVING THE CUTTING DECK

See fig. 23

The cutting deck can be removed from the mower to make accessing the blades easier when changing.

1. Make sure that the direction control switch is in neutral (N) position, and blade engage knob is down.
2. Turn off the product, engage the parking brake, and remove the start key. Make sure that all moving parts have come to a complete stop.
3. Disconnect the cables that connect the cutting deck to the mower.
4. Set the cutting deck to the lowest height.
5. Remove the 4 hitch pins and washers that secure the cutting deck in place.
6. Slide the deck out from under the mower.

Reverse the steps to reinstall the cutting deck to the mower.



REPLACING THE CUTTING BLADES

See fig. 24 - 26

⚠ WARNING

Use only original replacement blades and blade bolts authorised by the manufacturer of your ride-on mower. Use of blades and blade bolts that are not authorised is hazardous and may damage your ride-on mower.

1. Make sure that the direction control switch is in neutral (N) position, and blade engage knob is down.
2. Turn off the product, engage the parking brake, and remove the start key.
3. Set the cutting deck to the maximum height to allow access to the blades.

NOTE: If necessary, raise the mower by placing on a lift or using a jack and jack stands, or remove the cutting deck as described in the previous section to gain access to the blades.

⚠ WARNING

If raising the mower to access the blades, make sure that the mower is properly secured and the parking brake is engaged before proceeding. Failure to properly secure the mower could cause it to fall, resulting in death or possible serious personal injury.

4. Wedge a block of wood between the blade and mower deck to prevent the blade from turning.
5. Loosen the blade nut by turning it counterclockwise (as viewed from bottom of mower) using a 15 mm wrench or socket (not provided).
6. Remove the blade nut, spacer, blade insulator, and blade.
7. Place the new blade on the shaft against the corresponding blade posts. Ensure that blade is properly seated with the shaft going through centre blade hole and the two blade posts inserted into their respective holes on the blade. Make sure

that the blade is installed with the curved ends pointing up toward the mower deck and not down toward the ground. When seated properly, the blade should be flat against the blade posts.

8. Reinstall the blade insulator and spacer, making sure that the flat sides on each piece align and the straight sides of the opening on the spacer are aligned with the straight sides of the blade shaft.

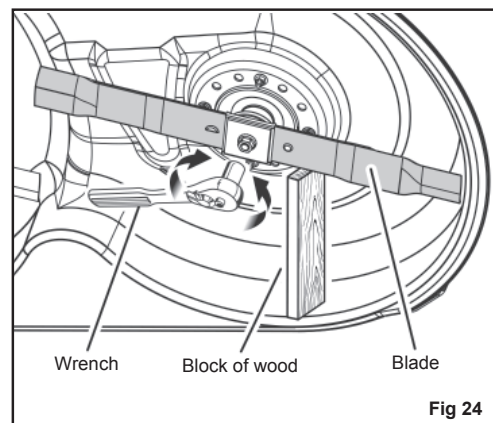
NOTE: Make sure that all the parts are replaced in the exact order in which they were removed.

9. Thread the blade nut on the shaft and finger tighten.
10. Torque the blade nut down clockwise using a torque wrench (not provided) to ensure the bolt is properly tightened. The recommended torque for the blade nut is 68 - 74 Nm (600-650 in. lbs.)

⚠ WARNING

Ensure that the blade is properly seated and the blade nut is tightened to the torque specifications above. Failure to properly attach the blade could cause it to come loose and result in possible serious personal injury.

Repeat the steps with the second blade, if needed.



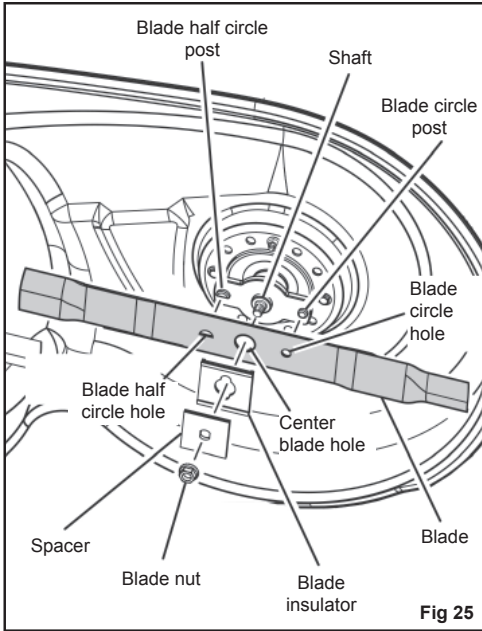


Fig 25

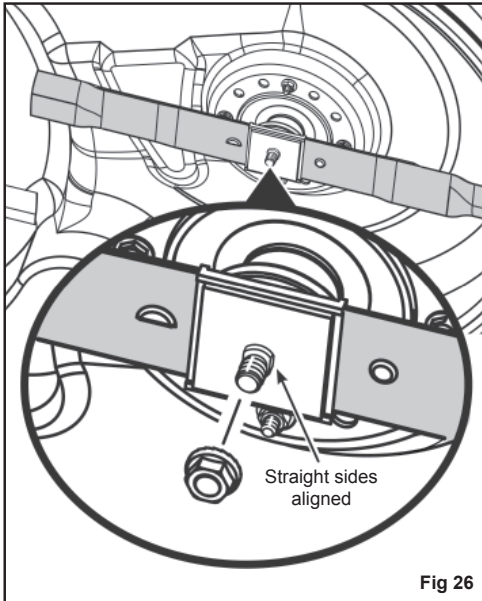


Fig 26

TYRE MAINTENANCE

The product is equipped with tubeless tyres with the following dimensions:

- Front tyres: 38.1x15.2x15.2 cm
- Rear tyres: 40.6x16.5x20.3 cm

Tyre air pressure

Check the air pressure in all tyres before use. Improper air pressure will affect handling, steering response, traction, tyre life, level cutting, and operator comfort. Be sure tyres are inflated to the recommended pressure (1.6 bar).

NOTE: Tyre pressure should only be measured or adjusted when tyres are cold.

⚠ WARNING

Check the tyre pressure carefully while inflating. Too much air in the tyre could cause the tyre to burst, causing serious personal injury.

⚠ WARNING

Maintaining correct air pressure in the tyres is very important. Too little pressure could allow the tyre to rotate off the wheel rim. Too much pressure could cause the tyre to burst. Failure to maintain correct air pressure in the tyres could cause problems with mower operation and stability, causing serious personal injury.

TYRE REPAIR

If a leak or flat tyre occurs due to a puncture, the tyre may be repaired using a plug-type patch. If the damage is from a cut, or if the puncture cannot be repaired using a plug, replace the tyre.

REPLACING TYRES

When tyres are worn, the traction of the mower decreases, which increases the chance of having an accident. Replace the tyres when the depth on the tread is 4 mm or less, or any time there is damage to the tyre. Always use original replacement tyres. Using improper tyres on the product could cause loss of control, which could cause serious personal injury.

Have the tyres replaced only by an authorised service centre.

ADJUSTING THE BRAKES

See fig. 27

Being able to stop the mower properly is critical to mowing safety. If the mower travels farther before stopping when you step on the brake pedal, the brakes may need adjusting.

To test:

1. Stop the product on a level surface and engage the parking brake.
2. Set the direction control switch in neutral (N) position.
3. Stand behind the mower and try to push it forward. If the rear tyres turn, the brakes need to be tightened.

To tighten:

1. Locate the brake adjustment nuts on the interior side of each of the rear wheels.
2. Turn each adjustment nut 1/4 turn clockwise, then try again to push the mower.
3. Continue rotating each nut 1/4 turn and testing until the mower can no longer be moved by pushing.

After final adjustment, test the brakes by driving the mower at normal speed on flat ground to be sure the mower stops quickly when the brake pedal is pressed.

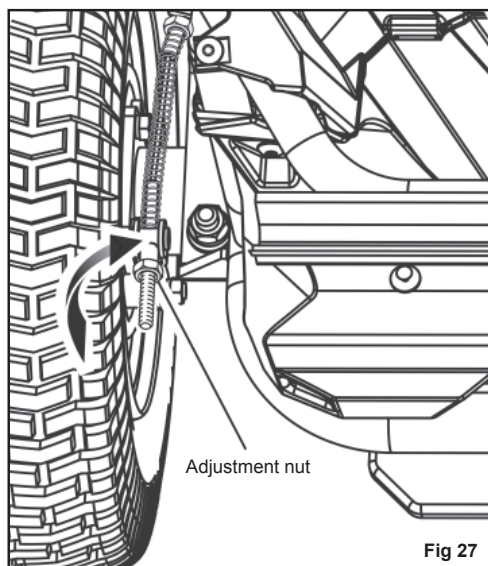


Fig 27

REPLACING THE HEADLIGHTS

See fig. 28

Contact an authorised service centre to order a new headlight.

1. Stop the product on a level surface, and engage the parking brake.
2. Turn off the product, and remove the start key.
3. Remove and set aside the hex head screw and flat washer holding the mower floor panel in place.
4. Lift floor panel slightly to access the two hex head screws and flat washers securing the headlight in place. Remove screws and washers and set aside.
5. Disconnect the old headlight and discard.
6. Connect the new headlight, and reinstall and securely tighten the washers and screws.
7. Lower the floor panel, and reinstall the washer and screw to secure.

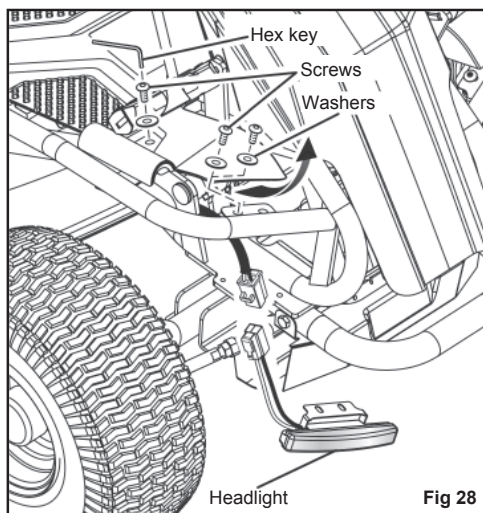


Fig 28

LEVELLING THE CUTTING DECK

See fig. 29 - 30

If your lawn appears unevenly cut after using the mower, the cutting deck may need adjusting. Before deciding that levelling the cutting deck is necessary, make sure that the tyres are properly inflated to the recommended pressure when mowing. Over-inflated or under-inflated tyres can affect the

appearance of the cut, and proper inflation of the tyres may be all that is needed to resolve uneven cutting issues.

NOTE: Always check side-to-side alignment and adjust as needed before measuring and adjusting front to back.

Before beginning:

1. Make sure that the direction control switch is in the neutral (N) position and the blade engage knob is down.
2. Turn off the product, engage the parking brake, and remove the start key.
3. Set the cutting deck to the maximum height.

To make side-to-side adjustment:

1. Position the blades so that the ends point toward the sides of the mower.
2. On the outside edge of each blade, measure the distance from the bottom edge of the side of the blade to the ground. If the distance between the two sides is greater than 0.32 cm (1/8 in.) , a side-to-side adjustment is necessary.
3. On the side you wish to adjust, loosen the jam nuts as shown.
4. Turn the adjustment nuts clockwise to raise or counterclockwise to lower the side of the cutting deck. Each full turn of the adjustment nut will change the deck height approximately 0.48 cm (3/16 in.). **NOTE:** If raising the side, you will need to turn the top adjustment nut first. If lowering, turn the bottom nut first.
5. Measure the distance between the blade and ground again. Continue to adjust and measure until the difference between the distance on each side is 0.32 cm (1/8 in.) or less.
6. Proceed to front-to-back adjustment or retighten jam nuts to secure.

To make front-to-back adjustment:

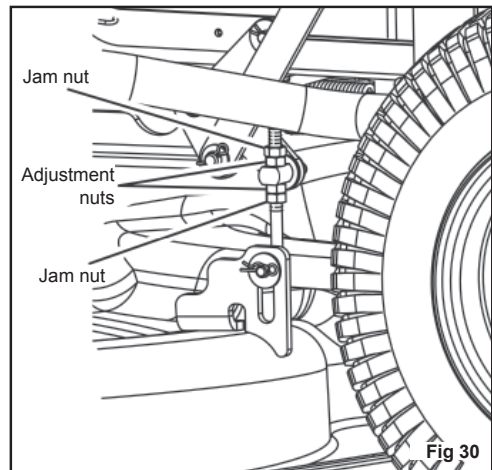
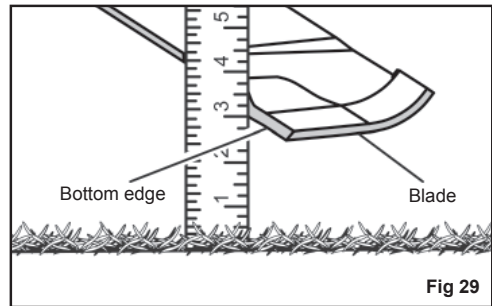
NOTE: Always level the deck side to side before making a front to back adjustment.

1. Position the blade nearest the side discharge chute so that the ends now point toward the front and back of the mower.
2. Measure the distance from the tip of the blade to the ground. For best results, the front tip of the blade should be from 0.32 cm. to 0.95 cm. (1/8 in. to 3/8 in.) lower than the rear tip.

3. If front-to-back adjustment is needed, turn the adjustment nuts clockwise to raise or counterclockwise to lower the back of the cutting deck. Each full turn of the adjustment nut will change the deck height approximately 0.32 cm. (1/8 in.).

NOTE: Make sure to turn the adjustment nuts on both sides equally to prevent throwing the side-to-side measurement off again.

4. Measure the distance between the blade and ground again to verify that the front tip is 0.32 cm. to 0.95 cm. (1/8 in. to 3/8 in.) lower than the rear tip. If not, continue to adjust and measure until they are.
5. Without moving the adjustment nuts, retighten the jam nuts to secure the adjustment nuts in place.



REPLACING THE BATTERIES

See fig. 31 - 36

NOTE: Use only RYOBI ride-on mower lead-acid batteries, part number 5131042607.

The mower operates on four 12-volt batteries connected in series. If replacing one or more of the batteries, always replace them using batteries of the same type with equal voltage and capacity.

⚠ WARNING

Use only original lead-acid batteries when replacing.

Never mix different makes and sizes of batteries in the series. Doing so will eventually cause damage to the batteries and may also damage the mower.

⚠ WARNING

Do not open or damage the batteries. Released electrolyte is corrosive and may cause damage to the eyes or skin. It may be toxic if swallowed.

Do not incinerate the battery. The batteries could explode. Check with local codes for possible special disposal instructions.

When batteries are not in use, keep it away from other metal objects like, paper clips, coins, keys, nails, screws, or other small metal objects, that can make a connection from one terminal to another. Shorting the battery pack terminals together may cause sparks, burns, fire or explosion.

Exercise care in handling batteries in order not to short the battery with conducting materials such as rings, bracelets, and keys. The battery or conductor may overheat and cause burns.

1. Stop the product on a level surface, and engage the parking brake.
2. Turn off the product, and remove the start key.
3. Tip over the mower seat.
4. Push the two tabs on each side of the cable cover, lift up the cover, and turn it to one side.

5. Remove and set aside the hex head bolt that secures the battery tray in place.
6. Disconnect the battery quick-connect plug. This plug connects the batteries to the mower.
7. Remove the four screws that secure the battery compartment cover in place.
8. Disconnect the thermistor plug. The plug connects the batteries to the charging port.
9. Remove the two flange nuts and flange bolts that secure the front of the battery tray in place.
10. Pull out the battery tray, resting the end outside the mower on a stable surface that can support a minimum weight of 136.1 kg. (300 lb.).

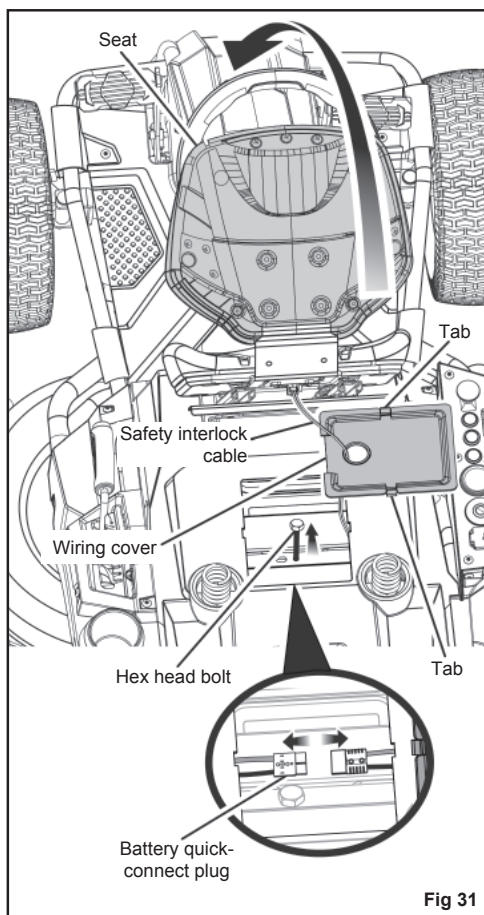
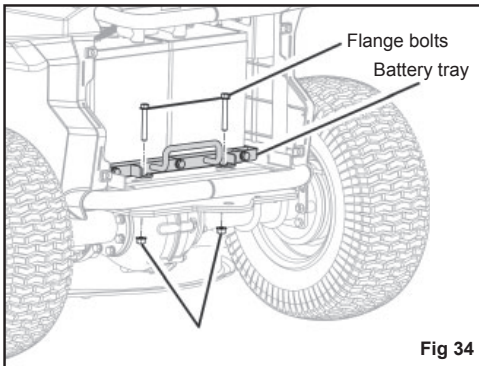
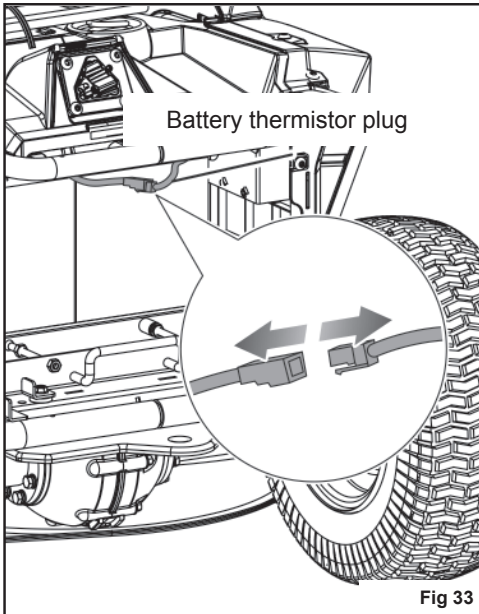
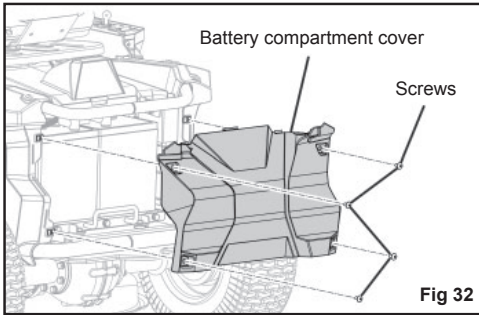
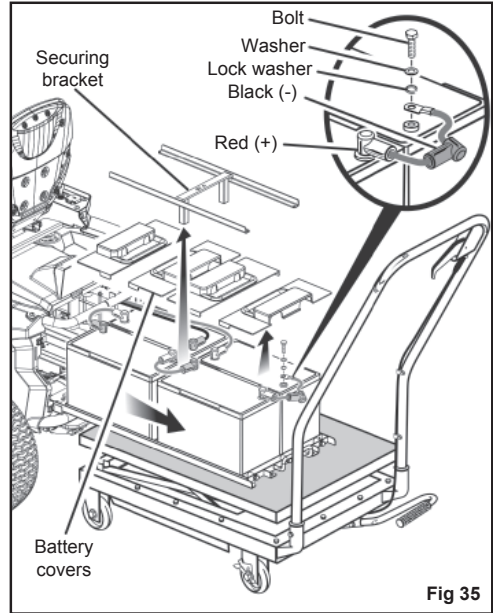


Fig 31



⚠ WARNING

The battery tray is very heavy and require at least two people to extend. We recommend the use of a hydraulic tabletype cart (or similar device) to extend the tray. Failure to properly extend and support the battery tray could result in serious personal injury, as well as damage to the mower.



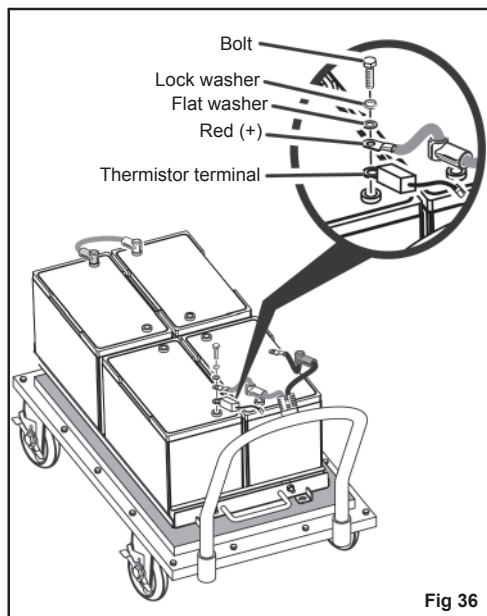


Fig 36

⚠ WARNING

Under abusive conditions, liquid may be ejected from the batteries; avoid contact. If contact accidentally occurs, flush with water. If liquid comes in contact with eyes, additionally seek medical help. Liquid ejected from the battery may cause irritation or burns.

11. Lift the battery securing bracket off the batteries, and set aside.
12. Remove and set aside the battery covers for the battery or batteries being replaced.
13. Disconnect the battery or batteries that need to be replaced.
Disconnect the negative (black) cable first, then the positive (red) cable. Be careful not to short across the terminals.
NOTE: When disconnecting the rear cables, take note of the position of the battery thermistor terminal on the positive post. Make sure to reinstall the terminal in the same location.
14. Replace the battery or batteries as needed and reinstall cables. Connect the positive (red) cable first, then the negative (black) cable, being careful not to short across the terminals.

15. Reinstall the battery covers and the battery securing bracket.
16. Push the battery tray back inside the mower just enough to allow you to reconnect the battery quick-connect plug.
NOTE: To gain enough leverage to reconnect, it is often easier to connect from the battery compartment area rather than the area under the seat.
17. Once the batteries are reconnected to the mower, push the battery tray fully back inside the mower.
18. Reinstall the flange bolts and flange nuts to secure outside edge of battery tray. Tighten securely.
19. Reinstall the hex head bolt to secure battery tray in place. Tighten securely.
20. Connect the battery thermistor.
21. Replace the battery compartment cover, and reinstall hardware to secure.
NOTE: Make sure that the tabs on the battery compartment cover are seated in the slots on the mower top and side panels before tightening the screws.
22. Reinstall wiring cover, and push down until it latches securely in place, then lower the seat.

NOTE: Always ensure that the safety interlock cable connection is still fully seated when replacing the wiring cover.

NOTE: Always abide by the safety warnings provided with the battery. Dispose of old battery according to local and state regulations.

STORING THE PRODUCT

The following steps should be taken before storing the product:

- Park the mower on a level surface, and engage the parking brake.
- Remove any build-up of grass and leaves on or around the motor cover. Wipe the product clean with a dry cloth. Do not use water to clean the product.
- Plug the product up to charge for the entire time of storage.
NOTE: If it is not possible to leave the mower charger connected during storage, charge the batteries at least once a month during storage. The batteries charge best at temperatures from 0 °C to 40 °C.
- Store the product in a clean, dry place that is inaccessible to children. Do not store near any appliance that operates with flame such as a gas water heater, clothes

dryer, or furnace.

NOTE: Do not leave the start key in the product during storage.

- Keep the product away from corrosive agents such as garden chemicals and de-icing salts.

PREPARING FOR USE AFTER STORAGE

The following steps should be taken before using the product after it has been stored:

- Review maintenance chart.
- Fully charge the batteries.
- Check tyre pressure and inflate as needed.
- Briefly drive the product and check all systems and components to ensure they are functioning correctly.

MAINTENANCE SCHEDULE

EN
FR
DE
DA
SV
FI
NO

	Inspect before each use	Every 25 hours	Every 50 hours or yearly	Before storage	Once a month during storage
Check brake operation	▪				
Check tyre pressure	▪				
Check side discharge chute and operator presence safety interlock systems	▪				
Check for loose fasteners	▪			▪	
Clean debris from the product	▪			▪	
Check / Replace mulching blades	▪	▪			
Clean battery terminals			▪		
Check and charge the battery	▪				▪

NOTE: Maintenance should be performed more frequently when the product is used in dusty areas.

When the product has exceeded the maximum figures specified in the table, maintenance should still be cycled according to the intervals of time or hours stated herein.

If you are unsure how to perform any of the maintenance items listed above, have the product serviced by an authorised service centre only.

ACCESSORIES

Description	Part number
Mulching Blades (for Mulching and Side Discharge)	RAC438 (996516)

WARNING

Current attachments and accessories available for use with the product are listed above. Do not use any attachments or accessories not recommended by the manufacturer of the product. The use of attachments or accessories not recommended can result in serious personal injury.

REPLACEMENT PARTS

Description	Part number
Mulch cover	5131042540
Side discharge chute	5131042541
Front wheels	5131042542
Rear wheels	5131042543
Battery	5131042607

TROUBLESHOOTING

If these solutions do not solve the problem, have the product serviced by an authorised service centre only.

Problem	Possible cause	Solution
The product does not start.	The battery charge is low.	Charge the battery.
	The charger is connected to the product.	Disconnect the charger from product.
	The start key is not installed or is in the OFF position.	Install the start key, and turn to the ON position.
	Poor battery cable connections	Check and clean all the battery connections.
The product will not move.	The start key is not installed or is in the OFF position.	Install the start key, and turn to the ON position.
	The parking brake is engaged.	Disengage the parking brake.
	The direction control switch is in the neutral (N) position.	Place the direction control switch in the desired direction (forward or reverse).
	The brake pedal is pressed and/or accelerator pedal is not pressed.	Release the brake pedal, and step on the accelerator pedal.
	The charger is connected to the product.	Disconnect the charger from product.
The product is cutting grass unevenly.	The tyre pressure is uneven.	Check the tyre pressure in all four tyres.
	The mower deck is not level.	Perform cutting deck level adjustment.
	The blade is worn, bent, loose, or dull.	Replace the blade.
	There is build-up of debris under the product.	Clean underside of the mower deck.
	The mowing speed is too fast.	Mow at a slower speed.
The product is not mulching properly.	There are wet grass clippings sticking to the underside of the deck.	Wait until the grass dries before mowing.
	The grass is too high.	Mow once at a high cutting height, then mow again at the preferred height.
	The blade is worn, bent, loose, or dull.	Replace the blade.
	The mowing speed is too fast.	Mow at a slower speed.
The product is vibrating at a higher speed.	The blade is unbalanced, loose, or excessively or unevenly worn.	Replace the blade.
	The motor shaft is bent.	Stop the motor, and remove the start key. Inspect the product for damage. Have the product serviced by an authorised service centre before restarting.

Poor grass discharge.	The side discharge chute or opening is plugged.	Clean the side discharge chute and opening.
	The grass is wet.	Allow grass to dry before mowing.
	The mowing speed is too fast.	Mow at a slower speed.
	The grass is too high.	Mow once at a high cutting height, then mow again at the desired height.
The motor stops while cutting.	The cutting height is set too low.	Raise the cutting height.
	The battery charge is low.	Charge the battery.
The blades do not rotate.	The battery charge is low.	Charge the battery.
	The side discharge interlock switch is not pressed by the side discharge chute.	Push down the side discharge chute, and make sure that it fully presses the side discharge interlock switch.
	The blade engage knob is down.	Pull up the blade engage knob.
	The operator is not fully seated.	Fully sit down on the seat.
	There is build-up of debris under mower.	Clean the underside of the mower deck.
The blades do not rotate while moving in reverse.	The reverse mode option is off.	Press the reverse mode button to activate reverse mode.
	The blade engage knob is down.	Pull up the blade engage knob.
The product won't reach full speed.	The battery charge is low.	Charge the battery.
The blades continue to turn after the operator leaves the seat without engaging the parking brake.	The safety interlock system is not functioning correctly.	Ensure that the safety interlock system seat plug is fully connected. If the blades still won't stop, have the product serviced by an authorised service centre only.
The headlights are not working.	The headlights are off.	Press the headlight button to turn on the headlights.
	The headlights are damaged.	Replace the headlights.
The battery will not charge.	The battery cells are bad.	Replace the battery.
	The cable connections are poor.	Check and clean all the battery connections.

FREQUENTLY ASKED QUESTIONS

- Should the mower remain plugged into the charger when not in use?
 - Yes, continually charge the mower when not in use.
- What is the recommended tyre pressure, and how often should I check the air pressure in the tyres?
 - For best performance, the tyre pressure should be 1.6 bar. Check the tyre pressure before each use.
- What can cause the blades to stop during use?
 - Check the battery level indicator. The deck motor turns off when the battery power gets low to allow you enough time to drive back to the charging location. Drive back and charge the battery immediately.
 - If the the battery level is not low, slow down or raise the cutting deck to a higher level. High load applications can also cause one or both deck motors to stop.
 - Check that the side discharge chute is properly closed. Push down the side discharge chute, and make sure that it fully presses the side discharge interlock switch.
- When coasting downhill, why does the mower sometimes accelerates and sometimes does not?
 - For your safety and better performance, the mower is designed to automatically limit its speed when travelling on a slope, which may cause fluctuations in speed.
- Why does the mower make a beeping sound when I drive in reverse?
 - To alert anyone nearby of the mower's location.
- When operating the mower, how do I bring the mower to a complete stop?
 - To stop the mower, step on the brake pedal on the operator's left side. This product is not a hydrostatic drive.
- Why does the mower make a beeping sound when I leave the seat?
 - The parking brake has not been engaged or the start key is still installed and in the ON position. Always remove the key when the mower is not in use.
- When should I use the parking brake?
 - Always engage the parking brake before getting off the mower.
- Can I rinse off the mower deck with a garden hose?
 - Do not clean the product with water. Use a blower or air compressor to clean it.

Votre tondeuse autoportée a été conçue en donnant priorité à la sécurité, à la performance et à la fiabilité.

UTILISATION PRÉVUE

La tondeuse autoportée est exclusivement destinée à un usage extérieur.

Ce produit est destiné à la tonte du gazon par les particuliers. La lame de coupe doit tourner en position à peu près parallèle au sol sur lequel l'appareil se déplace. L'ensemble des quatre roues doit toucher le sol au cours de la tonte.

Le produit doit uniquement être utilisé dans le cadre d'applications domestiques, par des adultes ayant reçu une formation adéquate concernant les risques et les mesures de prévention à prendre lors de l'utilisation du produit.

Utilisez ce produit pour aucun autre travail.

AVERTISSEMENTS GÉNÉRAUX DE SÉCURITÉ

⚠ AVERTISSEMENT

Lisez l'ensemble des instructions des mises en garde de sécurité, des illustrations et des spécifications fournies avec ce produit. Le non-respect des instructions présentées ci-après peut entraîner des accidents tels que des incendies, des décharges électriques et/ou des blessures corporelles graves.

Conservez tous les avertissements et toutes les instructions pour pouvoir vous y reportez ultérieurement.

Le terme « outil électrique » dans les avertissements fait référence à votre outil électrique alimenté par le secteur (avec cordon d'alimentation) ou votre outil électrique fonctionnant sur batterie (sans cordon d'alimentation).

SÉCURITÉ DE LA ZONE DE TRAVAIL

- **Gardez la zone de travail propre et bien éclairée. Les zones en désordre ou sombres sont propices aux accidents.**
- **Ne faites pas fonctionner les outils électriques en atmosphère explosive, par exemple en présence de liquides inflammables, de gaz ou de poussières.** Les outils électriques produisent des

étincelles qui peuvent enflammer les poussières ou les fumées.

- **Maintenez les enfants et les personnes présentes à l'écart pendant l'utilisation de l'outil électrique.** Les distractions peuvent vous faire perdre le contrôle de l'outil.

SÉCURITÉ ÉLECTRIQUE

- **Les fiches de l'outil électrique doivent être adaptées au socle. Ne modifiez jamais la fiche de quelque façon que ce soit. N'utilisez pas d'adaptateurs avec des outils électriques à branchement de terre.** Des fiches non modifiées et des socles adaptés réduisent le risque de décharge électrique.
- **Évitez tout contact du corps avec des surfaces reliées à la terre telles que les tuyaux, les radiateurs, les cuisinières et les réfrigérateurs.** Il existe un risque accru de décharge électrique si votre corps est relié à la terre.
- **N'exposez pas les outils électriques à la pluie ou à des conditions humides.** La pénétration d'eau à l'intérieur d'un outil électrique augmente le risque de décharge électrique.
- **Ne maltraitez pas le cordon. N'utilisez jamais le cordon pour porter, tirer ou débrancher l'outil électrique. Maintenez le cordon à l'écart de la chaleur, du lubrifiant, des arêtes vives ou des parties en mouvement.** Des cordons endommagés ou emmêlés augmentent le risque de décharge électrique.
- **Lorsque vous utilisez un outil électrique à l'extérieur, utilisez un prolongateur adapté à l'utilisation extérieure.** L'utilisation d'un cordon adapté à l'utilisation extérieure réduit le risque de décharge électrique.
- **Si l'usage d'un outil électrique dans un emplacement humide est inévitable, utilisez une alimentation protégée par un dispositif à courant résiduel (RCD).** L'usage d'un RCD réduit le risque de décharge électrique.

SÉCURITÉ DES PERSONNES

- **Restez vigilant, regardez ce que vous êtes en train de faire et faites preuve de bon sens dans votre utilisation de l'outil électrique. N'utilisez pas un outil**

électrique lorsque vous êtes fatigué ou sous l'emprise de drogues, de l'alcool ou de médicaments. Un moment d'inattention en cours d'utilisation d'un outil électrique peut entraîner des blessures graves.

- **Portez un équipement de protection individuelle. Portez toujours une protection oculaire.** Les équipements de protection individuelle tels que les masques antipoussières, les chaussures de sécurité antidérapantes, les casques ou les protections auditives utilisés pour les conditions appropriées réduisent les blessures.
- **Évitez tout démarrage intempestif. Assurez-vous que l'interrupteur est en position arrêt avant de brancher l'outil au secteur et/ou au bloc de batteries, de le ramasser ou de le porter.** Porter les outils électriques en ayant le doigt sur l'interrupteur ou brancher des outils électriques dont l'interrupteur est en position marche est source d'accidents.
- **Retirez toute clé de réglage avant de mettez l'outil électrique en marche.** Une clé laissée fixée sur une partie tournante de l'outil électrique peut donner lieu à des blessures.
- **Ne travaillez pas en extension. Gardez une position et un équilibre adaptés à tout moment.** Cela permet un meilleur contrôle de l'outil électrique dans des situations inattendues.
- **Habillez-vous de manière adaptée. Ne portez pas de vêtements amples ni de bijoux. Gardez les cheveux et les vêtements à distance des parties en mouvement.** Des vêtements amples, des bijoux ou les cheveux longs peuvent être pris dans des parties en mouvement.
- **Si des dispositifs sont fournis pour le raccordement d'équipements pour l'extraction et la récupération des poussières, assurez-vous qu'ils sont connectés et correctement utilisés.** Utilisez des collecteurs de poussière peut réduire les risques dus aux poussières.
- **Restez vigilant et ne négligez pas les principes de sécurité de l'outil sous prétexte que vous avez l'habitude de l'utilisez.** Une fraction de seconde d'inattention peut provoquer une blessure grave.

UTILISATION ET ENTRETIEN DE L'OUTIL ÉLECTRIQUE

- **Ne faites pas forcer l'outil électrique. Utilisez l'outil électrique adapté à votre application.** L'outil électrique adapté réalise mieux le travail et de manière plus sûre au régime pour lequel il a été construit.
- **N'utilisez pas l'outil électrique si l'interrupteur ne permet pas de passer de l'état de marche à arrêt et inversement.** Tout outil électrique qui ne peut pas être commandé par l'interrupteur est dangereux et doit être réparé.
- **Débranchez la fiche de la source d'alimentation et/ou enlevez le bloc de batterie, s'il est amovible, avant tout réglage, changement d'accessoires ou avant de ranger l'outil électrique.** De telles mesures de sécurité préventives réduisent le risque de démarrage accidentel de l'outil électrique.
- **Rangez les outils électriques à l'arrêt hors de portée des enfants et ne laissez pas des personnes qui ne sont pas familières avec l'outil électrique ou les présentes instructions le faites fonctionner.** Les outils électriques sont dangereux entre les mains d'utilisateurs novices.
- **Observez la maintenance des outils électriques et des accessoires. Vérifiez qu'il n'y a pas de mauvais alignement ou de blocage des parties mobiles, de pièces cassées ou toute autre condition pouvant affecter le fonctionnement de l'outil électrique. En cas de dommages, faites réparer l'outil électrique avant de l'utilisez.** De nombreux accidents sont dus à des outils électriques mal entretenus.
- **Gardez affûtés et propres les outils permettant de couper.** Des outils destinés à couper correctement entretenus avec des pièces coupantes tranchantes sont moins susceptibles de bloquer et sont plus faciles à contrôler.
- **Utilisez l'outil électrique, les accessoires et les lames etc., conformément à ces instructions, en tenant compte des conditions de travail et du travail à réaliser.** L'utilisation de l'outil électrique pour des opérations différentes de celles prévues peut donner lieu à des situations dangereuses.



- **Les poignées et les surfaces de préhension doivent rester sèches, propres et dépourvues d'huiles et de graisses.** Des poignées et des surfaces de préhension glissantes rendent impossibles la manipulation et le contrôle en toute sécurité de l'outil dans les situations inattendues.

- **Suivez toutes les instructions de charge et ne chargez pas le bloc de batterie ou l'outil fonctionnant sur batteries hors de la plage de températures spécifiée dans les instructions.** Un chargement incorrect ou à des températures hors de la plage spécifiée de températures peut endommager la batterie et augmenter le risque d'incendie.

UTILISATION DES OUTILS FONCTIONNANT SUR BATTERIES ET PRÉCAUTIONS D'EMPLOI

- **Rechargez uniquement avec le chargeur spécifié par le fabricant.** Un chargeur qui est adapté à un type de bloc de batterie peut créer un risque de feu lorsqu'il est utilisé avec un autre type de bloc de batterie.
- **N'utilisez les outils électriques qu'avec des blocs de batterie spécifiquement désignés.** L'utilisation de tout autre bloc de batterie peut créer un risque de blessure et d'incendie.
- **Lorsqu'un bloc de batterie n'est pas utilisé, maintenez-le à l'écart de tout autre objet métallique, par exemple trombones, pièces de monnaie, clés, clous, vis ou autres objets de petite taille qui peuvent donner lieu à une connexion d'une borne à une autre.** Le court-circuitage des bornes d'une batterie entre elles peut causer des brûlures ou un incendie.
- **Dans de mauvaises conditions, du liquide peut être éjecté de la batterie ; évitez tout contact. En cas de contact accidentel, nettoyez à l'eau. Si le liquide entre en contact avec les yeux, recherchez également une aide médicale.** Le liquide éjecté des batteries peut causer des irritations ou des brûlures.
- **N'utilisez pas un bloc de batterie ou un outil fonctionnant sur batteries qui a été endommagé ou modifié.** Les batteries endommagées ou modifiées peuvent avoir un comportement imprévisible provoquant un incendie, une explosion ou un risque de blessure.
- **N'exposez pas un bloc de batterie ou un outil fonctionnant sur batteries au feu ou à une température excessive.** Une exposition au feu ou à une température supérieure à 130 °C peut provoquer une explosion.

ENTRETIEN

- **Faites entretenir l'outil électrique par un réparateur qualifié utilisant uniquement des pièces de rechange identiques.** Cela assure le maintien de la sécurité de l'outil électrique.
- **N'effectuez jamais d'opération d'entretien sur des blocs de batterie endommagés.** Il convient que l'entretien des blocs de batterie ne soit effectué que par le fabricant ou les fournisseurs de service autorisés.

MISES EN GARDE DE SÉCURITÉ CONCERNANT LA TONDEUSE AUTOPORTÉE

ENTRAÎNEMENT

- Suivez les règles de sécurité lorsque vous utilisez le produit. Pour votre sécurité et celle des passants, veuillez lire ces instructions avant d'utilisez le produit. Veuillez conserver les instructions pour vous y reportez ultérieurement.
- Seuls des adultes responsables familiers avec les instructions et capables de les comprendre sont autorisés à utiliser le produit.
- Familiarisez-vous avec les commandes du produit ainsi qu'avec son utilisation correcte.
- Utilisez toujours des dispositifs de sécurité et de protection. N'utilisez pas le produit si la goulotte de décharge latérale n'est pas en place et si elle ne fonctionne pas correctement. Le couvercle de paillis doit être bien installé et fonctionner correctement lors du paillage.
- Si le produit n'est pas utilisé ou lors du changement d'accessoires, faites attention aux risques possibles. Vous réduisez ainsi les risques d'incendie, de décharge électrique et de blessures corporelles.
- Ne transportez jamais de passagers ou d'enfants, même une fois les lames



immobilisées. Ceux-ci pourraient tomber et se blesser gravement, ou empêcher le bon fonctionnement du produit. Les enfants qui ont pu monter sur la tondeuse ou un tracteur dans le passé pourrait surgir subitement dans la zone de tonte pour monter à nouveau, et se faites ainsi renverser par le produit.

- Gardez à l'esprit que l'opérateur est responsable des accidents qui arrivent aux autres personnes présentes dans sa propriété.
- Ne laissez jamais les enfants ou les personnes aux capacités physiques, sensorielles ou mentales réduites, ni les personnes non familiarisées avec ces instructions utiliser, nettoyer ou entretenir le produit. Les lois locales peuvent imposer un âge minimum à l'opérateur. Les enfants doivent être bien surveillés afin de s'assurer qu'ils ne jouent pas avec le produit
- Suivez les recommandations du fabricant concernant l'utilisation et l'installation correcte des accessoires. N'utilisez que des accessoires d'origine fournis par le fabricant. L'utilisation d'autres accessoires pourrait augmenter le risque de blessures.
- Ne touchez jamais le fonctionnement du dispositif de sécurité, et n'atténuez pas la protection assurée par le dispositif de sécurité. Vérifiez régulièrement le bon fonctionnement des dispositifs de sécurité.
- N'altérez jamais le bon fonctionnement des dispositifs de sécurité. Vérifiez régulièrement le bon fonctionnement des dispositifs de sécurité.
- N'utilisez jamais le produit lorsque des gens, en particulier des enfants, ou des animaux se trouvent à moins de 15 m à cause du risque de projection d'objets par la lame en rotation.
- N'utilisez pas le produit en cas de risque d'éclair.
- Ne faites pas fonctionner le produit sous un mauvais éclairage. L'opérateur doit avoir une bonne vue d'ensemble de la zone de travail pour identifier les dangers éventuels.
- Gardez les mains et les pieds à distance de la zone de coupe qui se trouve sous le carter de coupe et à l'intérieur de la goulotte de décharge latérale. Ne vous approchez jamais de l'ouverture de la

goulotte de décharge latérale. Ne pas mettez vos mains ou des objets sous le carter de coupe.

- Suivez les instructions concernant le changement d'accessoires.

PRÉPARATION

- Portez des pantalons solides et, longs, des manches longues et des chaussures antidérapantes robustes. Ne portez pas un pantalon court, des sandales et ne vous promenez pas pieds nus. Évitez de porter des vêtements amples ou qui possèdent des cordons ou attaches qui pendent.
- Portez toujours des lunettes de sécurité avec protections latérales. Portez un masque anti-poussières si l'opération est poussiéreuse.
- Les objets heurtés par la lame peuvent provoquer des blessures graves. Vérifiez avec soin la zone où vous allez utiliser la machine, et retirez-en tous les cailloux, bâtons, objets métalliques, câbles, os, jouets et autres objets étrangers. N'oubliez pas que de la ficelle ou du fil pourrait s'enchevêtrer dans les lames.
- Avant utilisation, inspectez toujours visuellement le produit afin de veillez à ce que les lames, les écrous de lame et l'ensemble de coupe ne sont ni usés ni endommagés.
- Remplacez les lames et écrous endommagés ou usés par ensembles afin de préserver l'équilibre de la machine.
- Remplacez les éléments usés ou endommagés avant d'utilisez le produit.
- Ne dirigez jamais les produits déchargés vers qui que ce soit. Prévoyez le schéma de tonte de façon à éviter les décharges de produit vers les personnes se tenant à proximité, les routes, les trottoirs, les fenêtres et les voitures. Évitez également l'éjection de matières vers les murs et obstacles, ce qui pourrait produire un ricochet renvoyant des objets vers l'opérateur.

UTILISATION

- Le produit doit être mis en marche avec l'utilisateur bien assis derrière le volant. Ne démarrez jamais le produit si:
 - l'ensemble des quatre roues ne repose pas sur le sol.



- la goulotte de décharge latérale est exposée et n'est pas protégée par le kit d'ensachage ou le couvercle de pailis.
- les mains et les pieds de toutes les personnes présentes ne sont pas à l'écart du carter de coupe.
- Désengagez les lames lorsque le produit n'est pas utilisé.
- N'utilisez jamais le produit dans un espace fermé.
- Arrêtez la lame pour franchir les surfaces gravillonneuses afin de ne pas éjecter de cailloux et de gravillons. Conduisez le produit lentement et avec prudence afin d'éviter toute perte de contrôle.
- Mettez prudemment le moteur sous tension en respectant les instructions et maintenez vos mains et vos pieds éloignés des lames. Ne mettez pas vos pieds ou vos mains sous les pièces en rotation ou à leur proximité.
- Ne tondez pas en marche arrière, sauf en cas de nécessité absolue. Regardez toujours regarder vers le bas et derrière vous avant et pendant les marches arrière.
- Avant et pendant les marche arrière, regardez derrière vous et vers le bas pour déceler la présence de petits enfants, de personnes se tenant à proximité et d'animaux domestiques.
- Soyez particulièrement prudent lors de l'approche des angles morts, des buissons, des arbres et d'autres objets, dont les arbustes en surplomb, qui peuvent bloquer la vue.
- Ralentissez avant de tourner.
- Les pentes constituent un facteur majeur de pertes de contrôle et peuvent des renversements, et provoquer ainsi des blessures graves, voire mortelles. La tonte d'un terrain pentu demande des précautions supplémentaires. Ne tondez pas sur dans une pente s'il est impossible de la remonter en marche arrière ou en cas de manque de confiance quant à la manipulation de la tondeuse. N'utilisez jamais le produit sur des pentes de plus de 15°. Effectuez une copie du « Guide pour tondez en pente » située à la fin de ce manuel, ou découpez-le, et utilisez-le pour déterminer si la pente est trop abrupte pour un fonctionnement en toute sécurité.
- Ne cherchez jamais à utiliser la tondeuse sur une pente abrupte ou à tondez une pente de plus de 15°.
- Tondez dans le sens de la pente, pas en travers.
- Évitez trous, racines, monticules, pierres et autres objets cachés. Le produit pourrait se retourner sur les terrains irréguliers. Les herbes hautes peuvent masquer les obstacles.
- Procédez lentement afin d'éviter les arrêts soudains ou les accélérations accidentelles en pente.
- Ne tondez pas de pelouse mouillée sur un terrain en pente. Les pneus pourraient perdre leur adhérence, ce qui pourrait entraîner une perte de contrôle du véhicule.
- Lors de la descente de pentes, maintenez toujours la commande de direction en position de marche avant. Ne passez pas au point mort et ne descendez pas en pente en roue libre, au risque de perdre le contrôle du produit.
- Évitez tout démarrage, arrêt ou changement de direction en pente. Si les pneus perdent leur traction, désengagez les lames et descendez lentement la pente.
- Veillez à ce que tous les mouvements effectués en pente soient lents et progressifs. Ne changez pas subitement de vitesse ou de direction, au risque de provoquer un retournement du produit.
- Faites preuve de grande prudence lors de l'utilisation du produit avec des accessoires. Ceux-ci pourraient, en effet, affecter la stabilité du produit. N'utilisez pas le produit dans des pentes de plus de 15°.
- Ne pas chercher pas à stabiliser le produit en posant le pied au sol.
- N'utilisez pas le produit à proximité des à-pics, des fossés, des fortes pentes ou des talus. Le produit pourrait subitement se retourner si une roue passait sur une zone vide ou si les bords s'affaissaient, provoquant ainsi des blessures graves, voire mortelles.
- Ne laissez jamais un produit en marche sans surveillance. Arrêtez toujours arrêtez les lames, serrez le frein de stationnement, arrêtez le moteur et retirez la clé de contact avant de descendre de la machine.



- Lors d'une utilisation à proximité d'une route, faites attention à la circulation. Ne pas fonctionner la tondeuse sur la route.

MISES EN GARDE DE SÉCURITÉ SUPPLÉMENTAIRES CONCERNANT LE CHARGEUR

- Le chargeur n'est prévu que pour une utilisation à l'intérieur.
- Ne rechargez pas les cellules primaires (non rechargeables).
- Avant chaque utilisation, vérifiez que le câble d'alimentation n'est pas endommagé. En cas de signe de dommages, faites procéder à son remplacement par une personne qualifiée ou par un service après-vente agréé afin d'éviter tout danger.
- Chargez le produit à l'intérieur, dans un endroit bien ventilé. Ne chargez pas le produit dans un espace confiné.
- Le chargeur est équipé d'une fiche munie d'une broche de mise à la masse et doit être branché à une prise de courant adaptée qui a été correctement installée et mise à la terre conformément à tous les codes et règlements locaux. N'utilisez pas d'adaptateurs et ne modifiez pas la fiche fournie. S'il ne s'adapte pas à la prise, faites installer la prise appropriée par un électricien qualifié.

MISES EN GARDE DE SÉCURITÉ SUPPLÉMENTAIRES CONCERNANT LA BATTERIE

⚠ AVERTISSEMENT

Pour réduire le risque d'incendie, de blessures corporelles et de dommages causés par un court-circuit, n'immergez jamais l'outil, le bloc-de batterie ou le chargeur dans un liquide ne laissez pas couler un fluide à l'intérieur de celui-ci. Les fluides corrosifs ou conducteurs, tels que l'eau de mer, certains produits chimiques industriels, les produits de blanchiment ou contenant des agents de blanchiment etc. peuvent provoquer un court-circuit

⚠ AVERTISSEMENT

Risque d'incendie, d'explosion ou de brûlures. Ne désassemblez pas le bloc-de batterie, ne l'exposez pas à une chaleur supérieure à 60 °C et, ne l'incinerez pas.

- Le bloc-de batterie contient de l'acide. Si de l'acide entre en contact avec la peau ou des vêtements, rincez immédiatement à l'eau pendant 10 minutes. Si du liquide entre en contact avec les yeux, consultez un médecin.
- Ne chargez pas les blocs de batterie présentant des signes de fuite. Mettez-les correctement au rebut.

RETRAIT ET PRÉPARATION DU BLOC DE BATTERIE EN VUE DE SON RECYCLAGE

Pour préserver les ressources naturelles, veuillez recycler ou mettre au rebut les batteries de façon appropriée.

Le produit contient des batteries à l'acide de plomb. Il est possible que la réglementation locale interdise la mise au rebut de batteries à l'acide avec les ordures ménagères. Prenez contact avec votre organisme local de gestion des déchets pour obtenir des informations à propos des conditions de recyclage et/ou de mise au rebut.

⚠ AVERTISSEMENT

Lorsque vous retirez une batterie, couvrez ses bornes avec un morceau de ruban adhésif épais. N'essayez pas de détruire ou de démonter le bloc de batterie ou de démonter l'un de ses composants. Les batteries à l'acide de plomb doivent être recyclées ou mises au rebut correctement. De même, ne touchez jamais les deux bornes avec un objet métallique et/ou avec une partie du corps, cela pourrait occasionner un court-circuit. Gardez les enfants à l'écart. Le non-respect de ces avertissements pourrait entraîner un incendie et/ou de graves blessures.

TRANSPORT ET STOCKAGE

- Mettez le produit à l'arrêt, serrez le frein de stationnement et retirez la clé de contact. Assurez-vous que tous les éléments en

mouvement se sont bien arrêtés. Laissez le produit refroidir suffisamment avant de le ranger ou de le transporter.

- Débarrassez l'appareil de tous les corps étrangers. Rangez-le dans un endroit sec, bien aéré et hors de portée des enfants. La clé de contact doit également être retirée et stockée dans un endroit distinct, hors de portée des enfants.
- Gardez l'appareil à l'écart des produits corrosifs tels que les produits chimiques de jardinage et le sel de déneigement. Ne rangez pas le produit à l'extérieur.
- Faites preuve d'extrême prudence lors du chargement ou du déchargement du produit sur/depuis une remorque ou un camion. Appuyez sur la pédale de frein si nécessaire pour contrôler la vitesse. Le produit roulera librement s'il se déplace sur une surface inclinée sans que la pédale de frein ou le frein de stationnement ne soit actionné(e). Lors du chargement ou du déchargement du produit, ne pas dépasser l'angle de fonctionnement maximum recommandé de 15°.

⚠ AVERTISSEMENT

Soyez particulièrement prudent lorsque vous inclinez ou soulevez la machine pour l'entretenir, la nettoyez, la ranger ou la transporter. La lame est coupante. Gardez toutes les parties du corps éloignées de la lame lorsque celle-ci est à découvert.

TRANSPORT DES BATTERIES À L'ACIDE DE PLOMB

Transportez les batteries en conformité avec les dispositions et règlements locaux et nationaux.

Respectez tous les exigences légales particulières concernant l'emballage et l'étiquetage des batteries lorsque vous confiez leur transport à un tiers. Assurez-vous qu'aucune batterie ne puisse entrer en contact avec une autre batterie ou avec des matériaux conducteurs lors de son transport en isolant les bornes électriques avec du ruban adhésif ou des capuchons isolants. Ne transportez pas une batterie qui serait fendue ou qui fuirait. Demandez conseil au transporteur pour de plus amples informations.

AVERTISSEMENTS DE SÉCURITÉ CONCERNANT LE REMORQUAGE

⚠ AVERTISSEMENT

Faites preuve d'extrême prudence lors du remorquage du produit. La lame est coupante. Gardez toutes les parties du corps éloignées de la lame lorsque celle-ci est à découvert.

- Faites preuve de bon sens lors du remorquage. Une charge trop lourde lors d'un déplacement en pente est dangereuse. Les pneus peuvent perdre leur adhérence au sol et provoquer une perte de contrôle du produit.
- Suivez les recommandations du fabricant concernant les masses de roue ou les contrepoids.
- Le poids total remorqué ne doit pas dépasser la charge de remorquage maximale de 226,8 kg (500 lbs).
- Fixer l'équipement à remorquer uniquement au niveau de la plaque d'attelage.
- Ne laissez jamais des enfants ni personne d'autre sur l'équipement remorqué.
- La distance d'arrêt augmente avec la vitesse et le poids de la charge remorquée. Déplacez-vous lentement et prévoyez un temps et une distance d'arrêt supplémentaires.
- N'effectuez pas de virage brusque lors du remorquage d'un équipement. Faites preuve de prudence supplémentaire lors de virages ou d'une utilisation de la machine dans des conditions de surface défavorables. Faites preuve de prudence lors d'une marche arrière.

ENTRETIEN

⚠ AVERTISSEMENT

N'utilisez que des pièces détachées et des accessoires d'origine constructeur. Le non-respect de cette précaution peut entraîner de mauvaises performances, des blessures, et annuler votre garantie.

⚠ AVERTISSEMENT

Les réparations demandent un soin et des connaissances extrêmes et ne doivent être effectuées que par un technicien de service qualifié. Confiez l'entretien du produit à un centre de service agréé. N'utilisez que des pièces détachées d'origine constructeur pour les opérations d'entretien.

- Assurer la bonne maintenance du produit et préservez-le en bon état de fonctionnement. Conservez les lames bien tranchantes et veillez à ce que les protections soient en place et en bon état de fonctionnement. Afin d'empêcher les blessures graves, l'endommagement du produit et la dégradation des performances de celui-ci, remplacez les lames endommagées, tordues, fissurées ou inégalement usées. Un mauvais équilibrage de la lame provoque des vibrations susceptibles d'endommager l'unité d'entraînement du moteur ou de provoquer des blessures personnelles.
- N'effectuez jamais de réparations ou d'ajustements lorsque le moteur tourne et que les lames sont en mouvement.
- Retirez la clé de contact du produit avant de procéder au stockage, à l'entretien ou à un changement d'accessoire; Ces mesures de sécurité réduisent le risque de démarrer le produit par accident.
- Mettez le produit à l'arrêt, serrez le frein de stationnement et retirez la clé de contact. Assurez-vous que tous les éléments en mouvement se sont bien arrêtés:
 - avant de laissez le produit sans surveillance (y compris pour la mise au rebut des déchets de tonte) ;
 - avant de nettoyez un blocage ou de décolmater la chute de décharge.
 - avant de travailler sur le produit, de le vérifiez ou de le nettoyez.
 - avant de retirez le capot de paillis ;
 - avant d'ouvrir le capot de la goulotte de décharge d'herbe.
 - après un choc avec un corps étranger
 - Vérifiez minutieusement tout dommage éventuel de la machine.
 - Remplacez la lame au cas où elle serait endommagée de quelque façon que ce soit.
- Réparez tout dommage avant de redémarrer la tondeuse et de reprendre la tonte.
- si le produit se met à vibrer de façon anormale, (effectuez immédiatement ce qui suit):
 - Vérifiez les dommages éventuels, en particulier lorsque cela concerne les lames;
 - Remplacez la lame au cas où elle serait endommagée de quelque façon que ce soit.
 - Remplacez ou réparez toute pièce endommagée.
 - Vérifiez l'absence d'éléments desserrés et resserrez-les au besoin.
- Vous pouvez n'effectuez les réglages et réparations décrits dans ce manuel. Pour les autres réparations, adressez-vous uniquement à un centre de service agréé.
- Contactez un centre de service agréé pour remplacez les étiquettes endommagées ou illisibles.
- Toute opération d'entretien au niveau du produit et du chargeur doit être effectuée exclusivement par du personnel de réparation qualifié. Les réparations et l'entretien effectués par du personnel non qualifié peuvent entraîner des blessures à l'opérateur et endommager l'appareil.
- Vérifiez régulièrement le bon serrage des écrous, vis et boulons pour vous assurer que le produit soit toujours en bon état de fonctionnement.
- Les boulons de lame doivent être serrés au couple recommandé.
- Vérifiez les freins avant chaque utilisation et régulièrement en cours d'utilisation. Effectuez les ajustements et l'entretien nécessaire.
- La goulotte de décharge latérale est une protection actionnée par ressort qui couvre l'ouverture de la décharge latérale sur le carter de coupe et dirige les débris de coupe et l'herbe coupée en direction opposée à l'opérateur. Vérifiez toujours que le moteur est coupé et que les lames sont immobilisées avant de procédez à tout(e) inspection, déplacement, nettoyage ou entretien de la goulotte de décharge latérale.

- Pour des raisons de sécurité, remplacez toute pièce usée ou endommagée.
- Remplacez toujours les lames usées ou endommagées ainsi que les boulons dans leur ensemble pour conserver l'équilibre.
- Lors du réglage de la machine, prenez garde de ne pas vous coincer les doigts entre les lames et les parties fixes de la machine.
- Les lames de coupe continuent à tourner pendant plusieurs secondes une fois le moteur coupé. Lorsque vous entretenez les lames, soyez conscient que les lames ont toujours la possibilité de bouger, même si l'alimentation est coupée. Ne mettez jamais la moindre partie du corps dans le périmètre des lames tant que celles-ci n'ont pas fini de tourner.
- La lame dont est équipé le produit est très coupante. Soyez particulièrement prudent et portez des gants solides lorsque vous mettez en place, remplacez, nettoyez ou vérifiez le bon serrage de ses boulons.
- Après chaque utilisation, utilisez un chiffon propre et sec pour nettoyer le produit. Toute pièce endommagée doit être correctement remplacée ou réparée par un centre de service agréé.
- Maintenez le produit exempt d'herbe, de feuilles ou de toute autre accumulation de débris.
- Ne nettoyez pas le produit avec de l'eau. Nettoyez le produit avec un produit à jet d'air, tel qu'un compresseur ou une souffleuse de feuilles.

DÉGAGEMENT D'UN BLOCAGE

- Mettez le produit à l'arrêt, serrez le frein de stationnement et retirez la clé de contact. Réglez le carter de coupe à la hauteur maximale. Assurez-vous que tous les éléments en mouvement se sont bien arrêtés.
- Portez toujours des gants de protection épais lorsque vous vérifiez et dégagez un blocage. Les lames sont tranchantes. Le blocage peut être provoqué par un objet tranchant.
- Vérifiez que la goulotte de décharge latérale est exempte de blocage et dégagez toute obstruction éventuelle.

- Si vous trouvez des blocages, éliminez-les prudemment. Notez que la lame peut bouger pendant le nettoyage.

RISQUES RÉSIDUELS

Même lorsque le produit est utilisé selon les prescriptions, il reste impossible d'éliminer totalement certains facteurs de risque résiduels. Les dangers suivants risquent de se présenter en cours d'utilisation et l'utilisateur doit faire particulièrement attention afin d'éviter ce qui suit :

- Blessures dues aux vibrations
 - Utilisez toujours l'outil adapté au travail à n'effectuez. Servez-vous des poignées appropriées et limitez le temps de travail et d'exposition.
- Blessures dues au bruit
 - Portez une protection auditive et limitez le temps d'exposition.
- Blessures dues à l'entrée en contact avec les lames de coupe.
 - Tenez systématiquement les parties du corps non protégées à distance des lames.
- Blessure causée par des objets projetés.
 - Portez en permanence une protection oculaire adaptée.

RÉDUCTION DES RISQUES

Il a été reporté que les vibrations engendrées par les outils tenus à la main peuvent contribuer à l'apparition d'un état appelé le syndrome de Raynaud chez certaines personnes. Les symptômes peuvent comprendre des fourmillements, un engourdissement et un blanchiment des doigts, généralement par temps froid. Des facteurs héréditaires, l'exposition au froid et à l'humidité, le régime alimentaire, le tabagisme et les habitudes de travail peuvent contribuer au développement de ces symptômes. Certaines mesures peuvent être prises par l'utilisateur pour aider à réduire les effets des vibrations:

- Gardez votre corps au chaud par temps froid. Lorsque vous utilisez le produit, portez des gants afin de garder vos mains et vos poignets au chaud. Le temps froid est considéré comme un facteur contribuant très largement à l'apparition du syndrome de Raynaud.

- Après chaque session de travail, pratiquez des exercices qui favorisent la circulation sanguine.
- Faites des pauses fréquentes. Limitez la quantité d'exposition journalière.

Si vous ressentez l'un des symptômes associés à ce syndrome, arrêtez immédiatement le travail et consultez votre médecin pour lui en faites part.

⚠ AVERTISSEMENT

L'utilisation prolongée d'un outil est susceptible de provoquer ou d'aggraver des blessures. Assurez-vous de faites des pauses de façon régulière lorsque vous utilisez tout outil de façon prolongée.

CONTENU DU COLIS

- Tondeuse autoportée x1
- Siège x1
- Boîte à outils et coffret d'accessoires
 - Clés à fourche x2
 - Clé Allen x1
 - Clé Torx x1
 - Clé de contact x2
 - Couvercle de paillis x1
 - Manuel d'utilisation x 1
 - Guide de démarrage rapide x1
 - Guide d'assemblage x1
- Boîte de la colonne de direction
- Chargeur x 1

REMARQUE: Pour obtenir une liste complète de l'ensemble de la colonne de direction, voir la section « Liste des pièces détachées ».

SYMBOLES APPLIQUÉS SUR LE PRODUIT



Alerte de sécurité



Lisez et comprenez toutes les instructions avant d'utilisez l'appareil. Suivez tous les avertissements et consignes de sécurité.



Gardez tous les passants, en particulier les enfants et les animaux, éloignés d'au moins 30 m de la zone de travail.



Ne jamais transporter qui que ce soit, enfant ou autre, même lorsque les lames sont désactivées.



Toujours regardez vers le bas et derrière soi avant et pendant les marches arrière et veillez à ce qu'aucun enfant, observateur et animal domestique ne se tienne dans la zone.



Ne travaillez-pas dans des pentes supérieures à 15°. Tondez dans le sens de la pente, pas en travers.



Le niveau de puissance sonore garanti est de 100 dB (A)



Eloignez vos pieds et vos mains de la lame et de la zone de coupe. Ne pas monter sur le carter de coupe ou sur la goulotte de décharge latérale.



Gardez tous les passants, en particulier les enfants et les animaux, éloignés d'au moins 30 m de la zone de travail.



Prenez garde à la projection d'objets au sol et dans les airs.

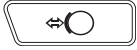


Ne jamais transporter qui que ce soit, enfant ou autre, même lorsque les lames sont désactivées.

Toujours regardez vers le bas et derrière soi avant et pendant les marches arrière et veillez à ce qu'aucun enfant, observateur et animal domestique ne se tienne dans la zone.



Eloignez vos pieds et vos mains de la lame et de la zone de coupe.



Frein
Appuyez sur la pédale de frein pour arrêter le produit.



Frein de stationnement



Accélérer
Appuyez sur la pédale de l'accélérateur pour se déplacer vers l'avant ou vers l'arrière.



Port de charge



Cet outil est conforme à l'ensemble des normes réglementaires du pays de l'UE où il a été acheté.



Marque de conformité d'Eurasie

Le produit peut être utilisé en marche arrière, avec les lames engagées, lorsque le bouton RMO est enfoncé et que le voyant rouge du bouton est allumé. Regardez toujours regarder vers le bas et derrière vous avant et pendant les manœuvres en marche arrière. La tonte en marche arrière est déconseillée.



Soulevez le bouton d'activation des lames pour les engager. Enfoncez le bouton d'activation des lames pour les désengager.



Le régulateur de vitesse permet de maintenir le produit à une vitesse constante sans que l'opérateur n'ait à garder le pied sur la pédale de l'accélérateur. Consultez la section « Réglage du régulateur de vitesse ».

Les produits électriques hors d'usage ne doivent pas être jetés avec les ordures ménagères. Recyclez-les par l'intermédiaire des structures disponibles. Contactez les autorités locales ou votre distributeur pour vous renseigner sur les conditions de recyclage.



Marque de conformité ukrainienne



Utilisation à l'intérieur uniquement



T15A

Fusible à action différée 3,15A



Pour réduire les risques de blessures ou de dommages, évitez tout contact avec les surfaces chaudes.



Risque d'éclatement



Pour réduire les risques de blessures ou de dommages, évitez tout contact avec les surfaces chaudes.

L'utilisation en milieu humide et le non respect des consignes de sécurité peut entraîner une décharge électrique.



Risque de décharge électrique.



Toujours débrancher le chargeur de l'alimentation avant de le connecter à la batterie ou de la déconnecter de celle-ci.





N'exposez pas cet outil à la pluie et ne l'utilisez pas dans des endroits humides.



Ne pas exposer à la pluie ou à des conditions humides.



Tenez-vous éloigné(e) de toute source d'inflammation, des étincelles et des flammes. Ne pas couvrir les événements de ventilation et assurer une ventilation correcte en cours d'utilisation.



Gardez hors de portée des enfants et des personnes non entraînées.



Portez une protection oculaire.



Le bloc-batterie contient de l'acide. Si de l'acide entre en contact avec la peau ou des vêtements, rincer immédiatement à l'eau pendant 10 minutes.



Si du liquide pénètre dans vos yeux, rincez-les à l'eau claire pendant au moins 10 minutes, puis contactez immédiatement un médecin.



Anti-déversement. La batterie doit être recyclée.



Le produit contient des batteries à l'acide de plomb. Il est possible que la réglementation locale interdise la mise au rebut de batteries à l'acide avec les ordures ménagères. Prenez contact avec votre organisme local de gestion des déchets pour obtenir des informations à propos des conditions de recyclage et/ou de mise au rebut.



Assurez-vous que la goulotte de décharge latérale est entièrement fermée avant d'utilisez le produit.



Ne'utilisez pas le produit lorsque la goulotte de décharge latérale est ouverte.



Conduite de la tondeuse



Insérez la clé de contact et Mettez-lare en position de marche.



Mettez la commande de direction en position de marche avant (F).



Appuyez sur la pédale de frein pour désactiver le frein de stationnement.



Tirez le bouton d'activation des lames pour activez les lames.



Appuyez sur la pédale d'accélération pour tondez la pelouse.



Tonte en marche arrière



Appuyez sur la pédale de frein et immobilisez complètement la tondeuse.



Appuyez sur le bouton d'activation des lames pour désactivez les lames.



Appuyez sur le bouton de mode Marche arrière.



Tirez le bouton d'activation des lames pour activez les lames.



Réglez la commande de direction en position de marche arrière (R).



Appuyez sur la pédale de l'accélérateur et tondez en marche arrière.



Stationnement de la tondeuse



Arrêtez la tondeuse sur une surface plane et de niveau. N'arrêtez pas le produit sur une pente.



Appuyez sur la pédale de frein et activez le frein de stationnement.



Mettez la commande de direction au point mort (N).



Appuyez sur le bouton d'activation des lames pour désactivez les lames.



Mettez la clé en position d'arrêt (OFF).



Arrêt de la tondeuse



Appuyez sur le bouton d'activation des lames pour désactivez les lames.



Appuyez sur la pédale de frein.



Serrez le frein de stationnement.



Mettez la clé en position d'arrêt (OFF).



Retirez la clé de contact.

SYMBOLES DE CE MANUEL



Pièces détachées et accessoires vendus séparément



Remarque



Avertissement

Les signaux et mots suivants sont destinés à indiquer le niveau de risque associé au produit :

DANGER

Imminence d'un danger qui, si l'on n'y prend garde, peut entraîner la mort ou des blessures graves.

AVERTISSEMENT

Situation potentiellement dangereuse qui, si l'on n'y prend garde, peut entraîner la mort ou des blessures graves.

ATTENTION

Situation potentiellement dangereuse qui, si l'on n'y prend garde, peut entraîner des blessures moyennes ou légères.

ATTENTION

(Sans symbole d'alerte de sécurité) Indique une situation pouvant entraîner des dommages matériels.

EN

FR

DE

DA

SV

FI

NO

MONTAGE

⚠ AVERTISSEMENT

Afin de réduire le risque de blessure, veuillez à bien lire et comprendre la partie Montage de ce manuel avant de procéder au montage du produit. Conservez ce manuel pour vous-y reporter ultérieurement.

RÈGLES DE SÉCURITÉ CONCERNANT L'ASSEMBLAGE

⚠ AVERTISSEMENT

Observez scrupuleusement toutes les spécifications de serrage de la clé dynamométrique. Le non-respect de cet avertissement peut entraîner de graves blessures.

Toutes les informations, illustrations, photographies et spécifications contenues dans ce manuel sont basées sur les toutes dernières informations produit disponibles au moment de la publication. Ce manuel pourrait contenir des incohérences des suites d'améliorations ou autres modifications apportées. Nous nous réservons le droit de modifier les produits à tout moment, sans aucun préavis et sans être tenu par quelque obligation d'apporter des modifications similaires ou identiques à des produits préalablement construits ou vendus.

- Toute personne procédant à l'assemblage du produit doit avoir suivi une formation correcte et disposer de l'expérience adéquate. Lisez attentivement ce manuel et suivez toutes les procédures d'assemblage qu'il contient.
- Tout assemblage doit être effectué avec le produit placé sur une surface plane.

OUTILS REQUIS

L'assemblage nécessite les outils suivants :

- Clé dynamométrique
- Jauge de pression des pneus
- Clé à douille
 - Douille de 12 mm
 - Douille de 13 mm
 - Embout hexagonal (6°mm)

DÉBALLAGE

Voir figure 1.

- Retirez les boulons fixant les supports de coin et latéraux au bas du bâti, puis soulevez les supports pour retirez la structure.
- Coupez les attaches en nylon fixant les essieux de roue avant et arrière au bâti.
- Retirez les boîtes contenant des pièces détachées, la visserie d'assemblage et la documentation.
- Retirez et mettez de côté l'ensemble du conditionnement et de l'emballage accessibles de l'unité et des pièces. Ne jetez pas les emballages avant d'avoir vérifié et utilisé avec succès le produit.

⚠ AVERTISSEMENT

Dans le cas où des pièces de la section « Liste des pièces détachées » sont déjà assemblées sur le produit lorsque vous le déballez, vérifiez que la pièce est assemblée correctement, qu'elle est correctement serrée et que sa torsion est correcte (le cas échéant) avant de passer à l'étape d'assemblage suivante. L'utilisation d'un appareil qui aurait pu être mal monté est susceptible d'entraîner de graves blessures.

- Vérifiez le produit avec soin afin de vous assurer qu'il n'a pas été cassé ou endommagé durant le transport.
- Si une pièce quelconque est manquante ou abîmée, veuillez contactez un centre de service après-vente agréé.

REMARQUE: Le produit doit être assemblé lorsqu'il est positionné sur le bas du bâti. Une fois l'assemblage terminé, réglez le carter de coupe à sa hauteur maximale, positionnez une rampe sur le bas du bâti, puis dégagez le produit du bâti en procédant de façon lente et avec prudence.

⚠ AVERTISSEMENT

Faites preuve de prudence en faisant descendre le produit du bâti et appuyez sur la pédale de frein au besoin pour contrôler la vitesse. Le produit roule librement s'il se déplace sur une surface inclinée sans que la pédale de frein ou le frein de stationnement ne soit actionné(e). Le non-respect de ces instructions peut entraîner une perte de contrôle et provoquer des blessures graves, voire mortelles, ainsi que des dommages matériels.

⚠ AVERTISSEMENT

Si aucune rampe n'est disponible, faites descendre lentement et soigneusement le produit en marche arrière tout en regardant vers le bas et vers l'arrière. Ne pas descendre le produit du bâti en marche avant et sans rampe, au risque d'endommager le carter de coupe.

EN
FR
DE
DA
SV
FI
NO

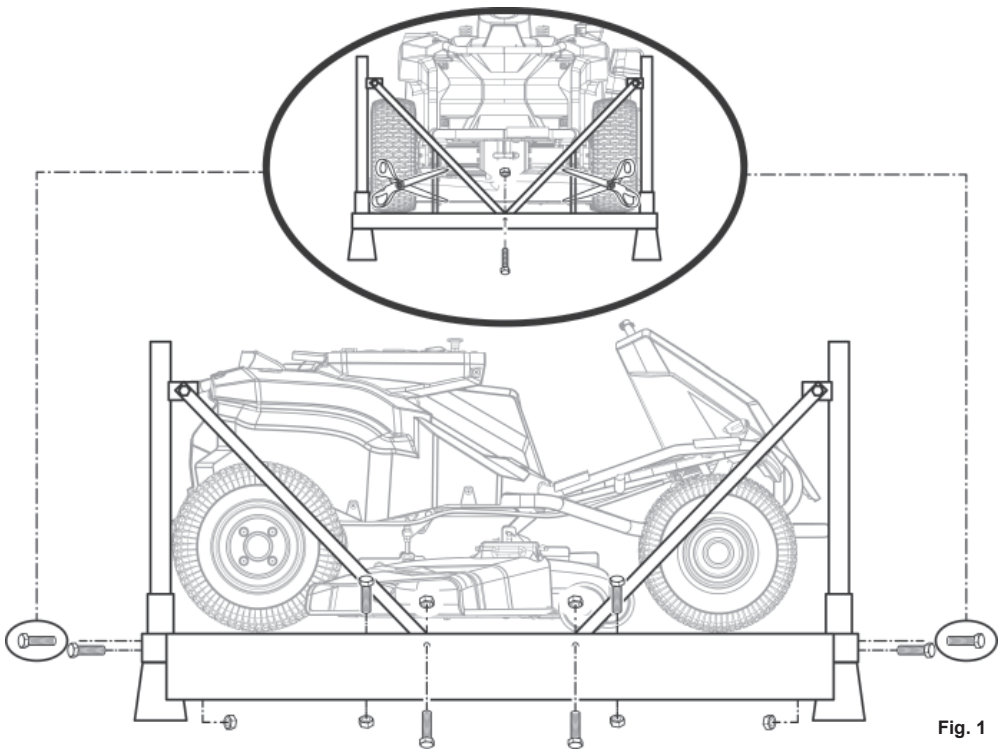


Fig. 1

LISTE DES PIÈCES DÉTACHÉES

1. Siège x1
2. Ensemble de colonne de direction
Arbre de direction supérieur x1
Boulons x 2
Colonne de direction x1
Couvercle de la colonne de direction x1
Rondelles de bride x2
Ressort x 1
Moyeu de volant x1
volant x1
Rondelle plate x 1
Écrou de bride x2
Couvercle de roue volant x1

3. Chargeur x 1
4. Amortisseur x 1
5. Clé de contact x3

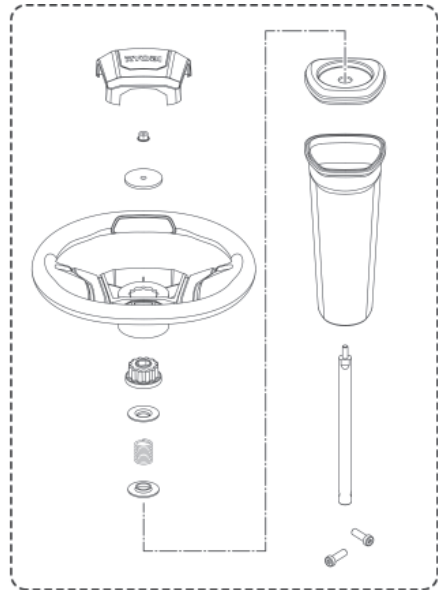
⚠ AVERTISSEMENT

Si des pièces sont endommagées ou manquantes, ne faites pas fonctionner le produit avant d'avoir remplacé les pièces par des pièces d'origine neuves. L'assemblage du produit avec des pièces endommagées, manquantes ou incorrectes peut entraîner de graves blessures.

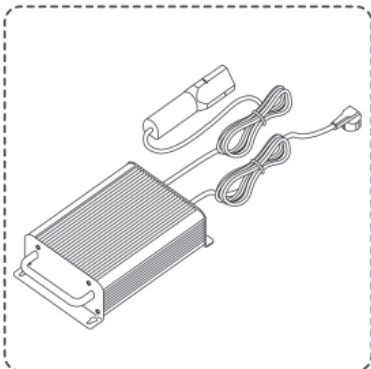
1.



2.



3.



4.



5.



⚠ AVERTISSEMENT

Observez scrupuleusement toutes les spécifications de serrage de la clé dynamométrique. Le non-respect de cet avertissement peut entraîner de graves blessures.

⚠ AVERTISSEMENT

Ne tentez pas de modifier cet appareil ou de fabriquer des accessoires non recommandés pour l'utilisation avec ce produit. Toute altération ou modification de ce type constitue un mésusage et peut entraîner des dangers susceptibles de provoquer des blessures graves.

⚠ AVERTISSEMENT

Pour éviter tout démarrage accidentel pouvant provoquer des blessures graves, retirez toujours la clé de contact du produit lors de l'assemblage de pièces.

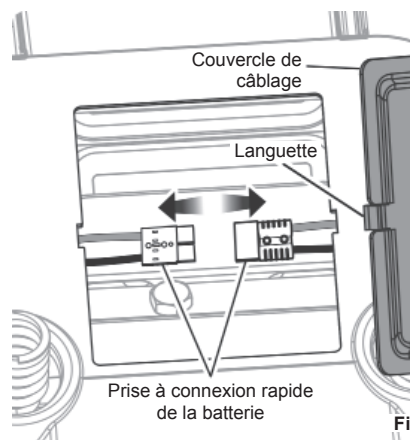


Fig. 2

CONNEXION DE LA BATTERIE

Voir figure 2.

À la sortie de l'usine, les batteries du produit sont déconnectées.

Pour connecter la batterie:

1. Appuyez sur les languettes du couvercle de câblage et soulevez le couvercle pour le retirer.
2. Connectez ensemble les deux extrémités de la fiche de connexion rapide de la batterie.

REMARQUE: Avant de réinstaller le couvercle de câblage, installez le siège tel que décrit à la section suivante.

INSTALLATION DU SIÈGE

Voir figure 3.

1. Retirez les vis et les écrous à bride des supports de montage du siège.
2. Placez le siège sur les supports de montage, en alignant les trous comme illustré.
3. Réinstallez les vis et les écrous à bride, puis serrez-les correctement.
4. Acheminez le câble de verrouillage de sécurité du siège dans le trou du couvercle de câblage, puis connectez-le à la prise de la tondeuse.
5. Réinstallez le couvercle de câblage et s'assurez -vous qu'il est correctement installé.

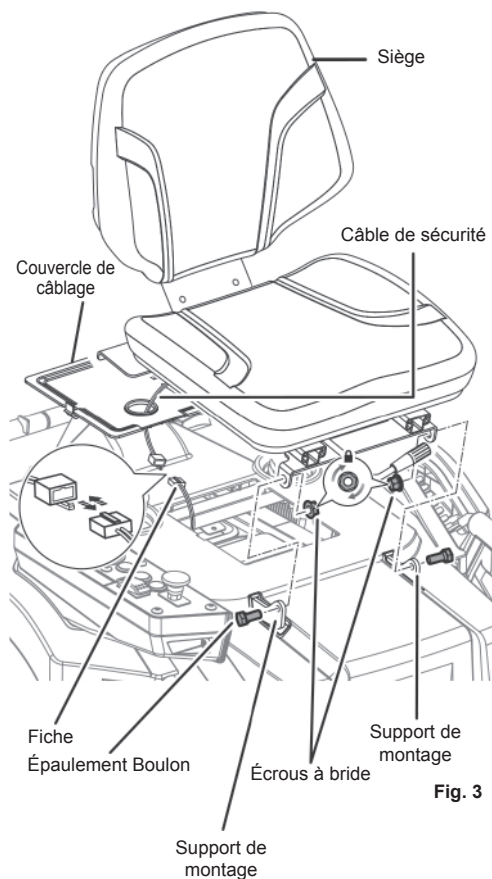


Fig. 3

INSTALLATION DE LA COLONNE DE DIRECTION

Voir figures 4 - 5.

1. Installez l'arbre de direction supérieur dans le coupleur, en tournant au besoin pour aligner le trou se trouvant dans l'arbre avec le trou de vis se trouvant dans le coupleur.
2. Installez deux vis, puis serrez correctement à 20 Nm.
3. Insérez la colonne de direction sur l'arbre. Notez les languettes figurant en bas de la colonne de direction qui s'insèrent dans les trous de l'ouverture et s'assurer que la colonne de direction est correctement installée.

4. Installez le couvercle de la colonne de direction en veillant à ce qu'il soit positionné correctement. L'arbre de direction supérieur dépasse par l'ouverture dans le couvercle.
5. Installez la rondelle à bride (bride vers le haut), le ressort, la deuxième rondelle à bride (bride vers le bas) et le moyeu du volant sur l'arbre de direction supérieur.
6. Veillez à ce que les roues de la tondeuse soient dirigées tout droit vers l'avant, puis installez le volant sur le moyeu de roue.
7. Installez la rondelle plate et l'écrou à bride. Serrez correctement l'écrou à un couple de 25 Nm.
8. Installez le couvercle volant.

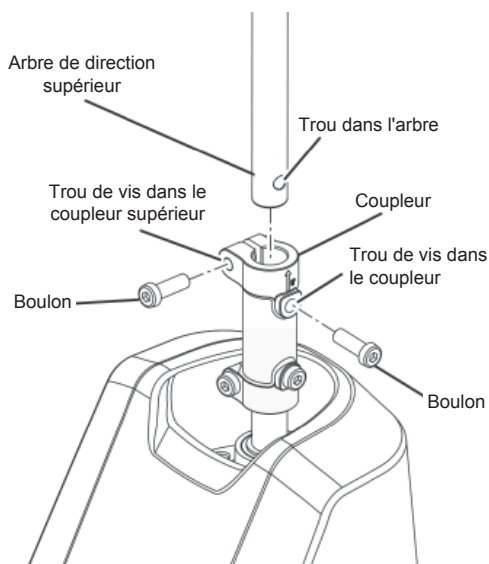


Fig. 4

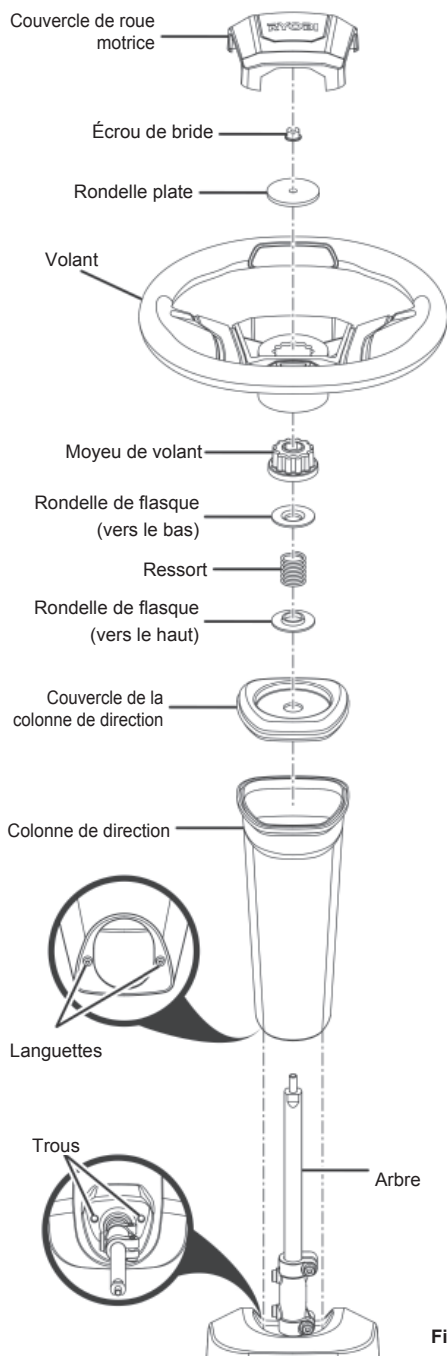


Fig. 5

INSTALLATION DE L'AMORTISSEUR

Voir figure 6.

1. Retirez les écrous à bride et les vis à tête hexagonale fixant le couvercle de l'amortisseur au bâti de la tondeuse.
2. Installez l'amortisseur sur les ouvertures situées à l'avant du bâti de la tondeuse, comme illustré.
3. Aligner les trous de l'amortisseur, du cadre de la tondeuse et le couvercle de l'amortisseur. Réinstallez les vis d'épaulement hexagonales et les écrous à bride, puis les serrez correctement.

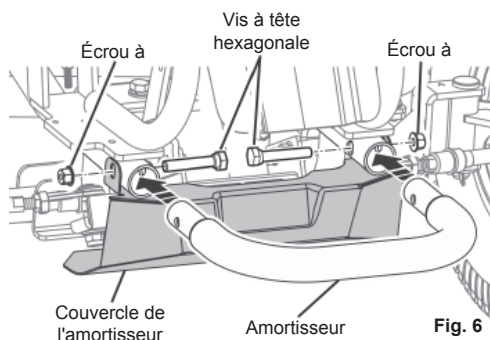


Fig. 6

CHARGEMENT DU PRODUIT

Voir figures 7 - 8.

Les batteries de la tondeuse doivent être chargées pendant 24 heures avant la première utilisation. Pour vérifier que les batteries de la tondeuse sont complètement chargées, vérifiez l'indicateur de niveau.

Pour obtenir des résultats optimaux :

- N'effectuez pas n'effectuez de charge dans une zone soumise à une chaleur ou un froid extrême. Pour être optimale, la charge des batteries doit s'effectuer à une température comprise entre 0 °C et 40 °C.
- Ne chargez jamais une batterie gelée.
- Montez ou placez le chargeur dans une zone correctement ventilée, sans couvrir les ailettes de refroidissement.

- Assurez-vous que les connexions du chargeur et de la tondeuse sont propres et exemptes de saletés ou de débris.

Pour recharger:

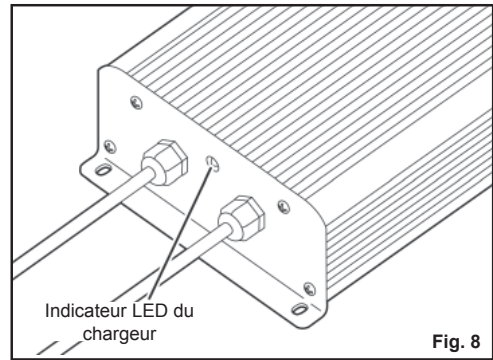
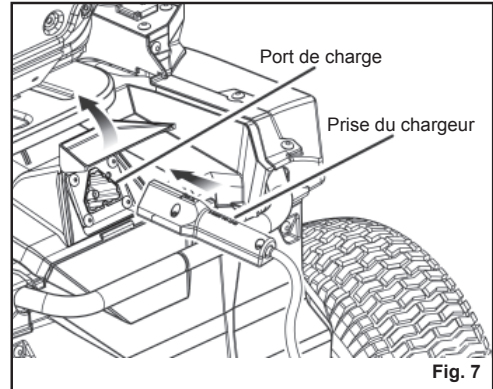
1. Insérez la prise du chargeur dans le port de charge sur la tondeuse, en veillant à ce qu'elle soit bien connectée.
2. Connectez le chargeur à une source d'alimentation normale de 220-240 V c.a., 50/60 Hz. La charge des batteries doit commencer automatiquement.
3. Juste avant de commencer à tondez, déconnectez le chargeur de l'alimentation, puis déconnectez le chargeur de la tondeuse.

REMARQUE: Le chargeur est équipé d'une fiche comportant une broche de mise à la masse. Il doit être branché à une prise correspondante correctement installée et reliée à la terre, conformément à l'ensemble des codes et ordonnances en vigueur au niveau local. N'utilisez pas d'adaptateurs et ne modifiez pas la prise fournie. S'il ne peut pas être correctement inséré dans la prise, faites installer une prise adéquate par un électricien qualifié.

Lorsqu'il est sous tension, l'indicateur LED du chargeur s'allume pour indiquer l'état du chargeur. Pour connaître la signification de l'affichage de l'indicateur LED, reportez vous au tableau suivant.

⚠ AVERTISSEMENT

Mettez toujours l'interrupteur en position d'arrêt, puis retirez la clé de contact lors de la charge du produit et, lorsque le produit n'est pas utilisé.



⚠ AVERTISSEMENT

Laissez la tondeuse connectée au chargeur lorsqu'elle n'est pas utilisée. Si le chargeur ne peut être laissé connecté à la tondeuse, vérifiez au moins une fois par mois que les batteries sont entièrement chargées.

⚠ AVERTISSEMENT

Chargez le produit à l'intérieur, dans une zone bien ventilée. Ne chargez pas le produit dans un espace confiné.

INDICATEUR LED DU CHARGEUR

Statut du chargeur	Connecté à		LED		Action
	Alimentation électrique	Tondeuse	Chargeur	Tondeuse	
En attente	Oui	Non	Allumé	Éteint	Chargeur prêt à recharger une batterie.
En charge	Oui	Oui	Allumé	Clignotement lent	—
Erreur du chargeur	Oui	Oui	Éteint	Clignotement rapide	Température de la batterie, capacité de la batterie ou chargeur défectueux.
	<ul style="list-style-type: none"> • Si l'état de la LED indique une erreur, attendre environ 15 minutes que la batterie et le chargeur refroidissent. • Si l'état de la LED se répète, réinitialiser le chargeur ou réinsérer la batterie. • Si un autre chargeur assure une charge normale, le chargeur peut être défectueux. • Si une autre batterie charge normalement, la capacité de la batterie pourrait être poser problème. 				
Charge complète	Oui	Oui	Allumé	Allumé	Le mode charge rapide est terminé, le chargeur continue de charger.
Sécurité	Non	Oui	Éteint	Clignotement rapide	La fiche est toujours connectée à la tondeuse. La tondeuse ne démarre pas.
Problème	Oui	Oui	Allumé	Clignotement rapide	Le bloc-batterie pourrait être défectueux.
	<ul style="list-style-type: none"> • Si le voyant LED indique que le dispositif est défectueux, réinitialiser le chargeur ou réinsérer la batterie. • Si les voyants lumineux indiquent toujours un problème, essayez d'utiliser votre chargeur avec une autre batterie. • Si une autre batterie peut être chargée normalement, débarrassez-vous de la batterie défectueuse (reportez-vous à la section entretien). 				

VÉRIFICATIONS FINALES

VÉRIFICATION DE LA PRESSION DE GONFLAGE DES PNEUS

Avant utilisation, vérifiez la pression de gonflage de tous les pneus. Une mauvaise pression de gonflage affectera la manipulation, la réaction de direction, la traction, la durée de vie des pneus, la régularité de coupe et le confort de l'opérateur. Vérifiez que les pneus sont gonflés à la pression recommandée (1,6 bar).

REMARQUE: Mesurez ou ajustez la pression de gonflage des pneus uniquement lorsque les pneus sont froids.

⚠ AVERTISSEMENT

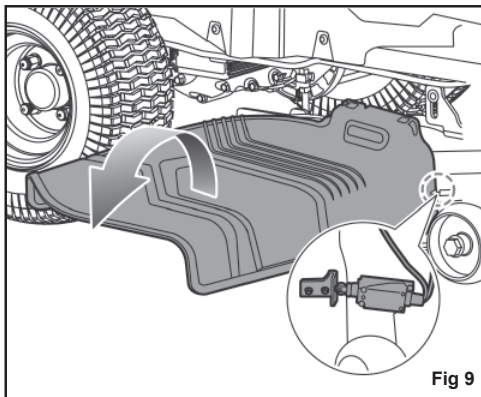
Vérifiez soigneusement la pression des pneus lors du gonflage. Une quantité d'air trop importante dans les pneus pourrait provoquer leur éclatement et provoquer de graves lésions.

VÉRIFICATION DU SYSTÈME DE SÉCURITÉ DE LA GOULOTTE DE DÉCHARGE LATÉRALE

Voir figure 9.

Avant d'utiliser le produit, vérifiez que la goulotte de décharge latérale est correctement fermée. La goulotte de décharge latérale est dotée d'un système de sécurité bloquant les lames si la goulotte est ouverte alors que les lames fonctionnent.

Cessez d'utiliser le produit et confiez-en l'entretien à un centre de service agréé si les lames ne s'arrêtent pas lorsque la goulotte de décharge latérale est soulevée par un obstacle en cours d'utilisation.



VÉRIFICATION DU SYSTÈME DE VERROUILLAGE DE SÉCURITÉ DE PRÉSENCE DE L'OPÉRATEUR

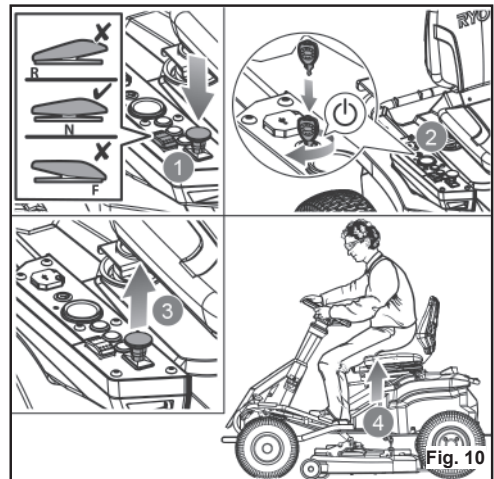
Voir figure 10.

Le système de verrouillage de sécurité de présence de l'opérateur arrête les lames si l'opérateur quitte la tondeuse alors que les lames sont en cours de fonctionnement. Testez le système avant chaque utilisation pour vérifier son bon fonctionnement.

1. Assurez-vous que la commande de direction est au point mort (N) et que le bouton d'activation lames est enfoncé.
2. Insérez la clé de contact et la mettez en position de marche.
3. Tirez sur le bouton d'activation des lames pour activer les lames.
4. Levez-vous un court instant, mais ne quittez pas la tondeuse.

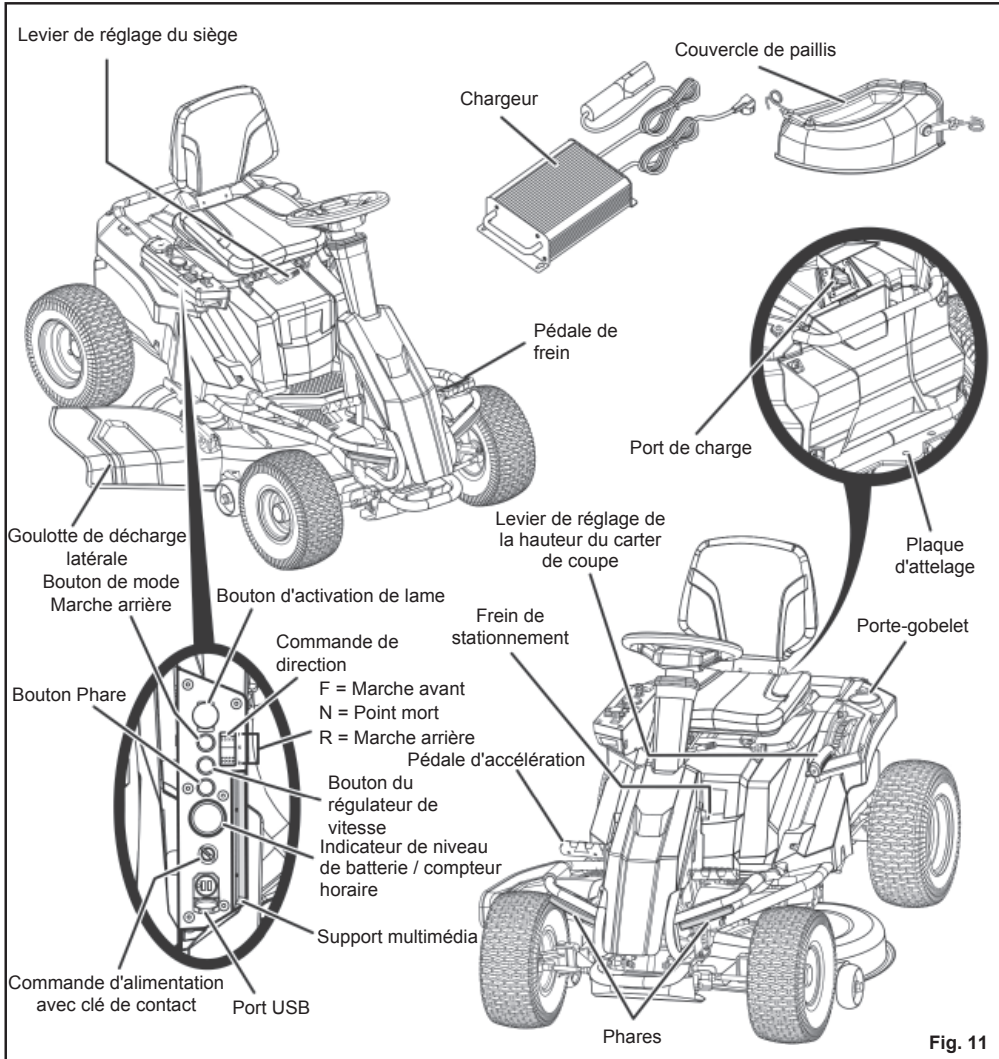
Les lames devraient s'arrêter dans un intervalle de 5 secondes. Si les lames ne s'arrêtent pas, contactez un centre de service agréé.

N'utilisez pas le produit tant que le système de verrouillage de sécurité n'a pas été réparé.



DESCRIPTION

EN
FR
DE
DA
SV
FI
NO



APPRENEZ À CONNAÎTRE VOTRE PRODUIT

Voir figure 11.

Pour des raisons de sécurité, lisez et comprenez les informations figurant sur le produit et dans ce manuel. Familiarisez-vous avec toutes les fonctionnalités d'utilisation et les règles de sécurité avant d'utilisez le produit.

PÉDALE D'ACCÉLÉRATION

La pédale régule la vitesse du produit.

INDICATEUR DE NIVEAU DE BATTERIE / COMPTEUR HORAIRE

L'indicateur de niveau de la batterie indique la quantité de charge de batterie restante. Le compteur horaire décompte le nombre total d'heures de fonctionnement du produit (clé de contact sur marche) à des fins de maintenance.



BOUTON D'ACTIVATION DE LAME

Le bouton d'activation de la lame active ou désactive les lames de coupe. Tirez le bouton d'activation des lames pour activez les lames de coupe. Appuyez sur le bouton pour arrêtez les lames de coupe.

REMARQUE: Pour couper en marche arrière, le bouton de marche arrière doit également être activé.

PÉDALE DE FREIN

La pédale de frein ralentit ou arrête le produit.

CHARGEUR

Le chargeur recharge les batteries de la tondeuse. Comporte un crochet pour clé de contact, pour un stockage pratique offrant un gain de place. Pour une suspension par les fentes de trou de serrure, utilisez au moins une vis supplémentaire dans le trou présent dans la bride de montage pour le fixez en place. Procédez toujours à un montage de telle sorte que le voyant d'état LED du chargeur est visible lors de la charge.

BOUTON DU RÉGULATEUR DE VITESSE

Le bouton de régulation de vitesse permet au produit de continuer en marche avant à une vitesse donnée sans avoir à appuyez sur la d'accélération.

LEVIER DE RÉGLAGE DE LA HAUTEUR DU CARTER DE COUPE

Le levier de réglage de la hauteur d'unité de coupe permet de rehaussez ou d'abaissez le carter de coupe.

COMMANDE DE DIRECTION

La commande de direction contrôle le mouvement de direction de la tondeuse. Réglages disponibles : marche avant (F), point mort (N) et marche arrière (R).

BOUTON PHARE

Le bouton de phare permet d'allumer et d'éteindre les phares.

SUPPORT MULTIMÉDIA

Les supports multimédia permettent de ranger un téléphone portable ou un lecteur MP3 lors d'une charge avec le port USB.

COUVERCLE DE PAILLIS

Le couvercle du pailis recouvre la goulotte de décharge latérale, ce qui permet à la lame de la tondeuse de couper et de recouper pour obtenir des rognures plus fines.

FREIN DE STATIONNEMENT

Le frein de stationnement verrouille le produit en position de freinage.

COMMANDE D'ALIMENTATION AVEC CLÉ DE CONTACT

L'interrupteur permet d'activez/désactivez le produit. La clé de contact doit être insérée avant de pouvoir actionner l'interrupteur. Une fois la clé en position accessoire, l'interrupteur permet également d'alimenter les accessoires de tonte approuvés par le fabricant.

SYSTÈME DE VERROUILLAGE DE SÉCURITÉ DE PRÉSENCE DE L'OPÉRATEUR

Le système de verrouillage de sécurité de présence de l'opérateur arrête les lames si l'opérateur quitte la tondeuse alors que les lames sont en cours de fonctionnement.

LEVIER DE RÉGLAGE DU SIÈGE

Le levier de réglage du siège permet de mettez le siège en position souhaitée.

SYSTÈME DE VERROUILLAGE DE SÉCURITÉ DE LA GOULOTTE DE DÉCHARGE LATÉRALE

La goulotte de décharge latérale est dotée d'un système de verrouillage de sécurité bloquant les lames en cas d'ouverture de la goulotte de décharge latérale alors que les lames fonctionnent.

PORT USB

Le port de charge USB fournit une puissance de charge de 5 V c.c. à une intensité maximale de 1 A pour téléphone portable, lecteur MP3 et autres périphériques USB. Pour connaître les spécifications de charge du dispositif, consultez le manuel de ce dernier.

Connectez une extrémité d'un câble USB (non fourni) à votre dispositif et l'autre extrémité au port de charge USB sur le produit pour chargez le dispositif.

REMARQUE: Le port USB est alimenté uniquement lorsque la clé de contact est en position de marche.



⚠ AVERTISSEMENT

Toute tentative de chargement de dispositifs d'une intensité nominale supérieure à 1 A risquerait d'endommager le port de charge USB et la tondeuse. Fermez toujours le couvercle USB lorsque celui-ci n'est pas utilisé afin d'empêcher tout amas de débris dans l'orifice.

⚠ AVERTISSEMENT

N'utilisez jamais de casque audio ou tout autre dispositif électronique, tel que les smartphones ou les tablettes, lors de l'utilisation du produit. Toute absence de concentration lors de l'utilisation du produit peut causer des blessures graves, pour l'opérateur comme pour les personnes se tenant à proximité.

PLAQUE D'ATTELAGE

La plaque d'attelage peut être utilisée pour remorquer des charges de 226,8 kg (500 lbs) maximum.

⚠ AVERTISSEMENT

Ne laissez pas l'habitude de l'appareil vous rendre moins prudent. N'oubliez jamais qu'il suffit d'une seconde d'inattention pour vous blesser gravement.

⚠ AVERTISSEMENT

Portez toujours des lunettes de sécurité avec protections latérales. Le non-respect de cette consigne peut entraîner la projection de corps étrangers dans vos yeux et provoquer des lésions oculaires graves.

⚠ AVERTISSEMENT

Mettez le produit à l'arrêt, serrez le frein de stationnement et retirez la clé de contact. Assurez-vous que l'ensemble des pièces en mouvement se sont complètement immobilisées avant d'assembler des pièces, d'effectuez des ajustements, de nettoyez le produit ou de laissez ce dernier sans surveillance. Ceci empêchera tout démarrage accidentel susceptible d'entraîner des blessures graves.

⚠ AVERTISSEMENT

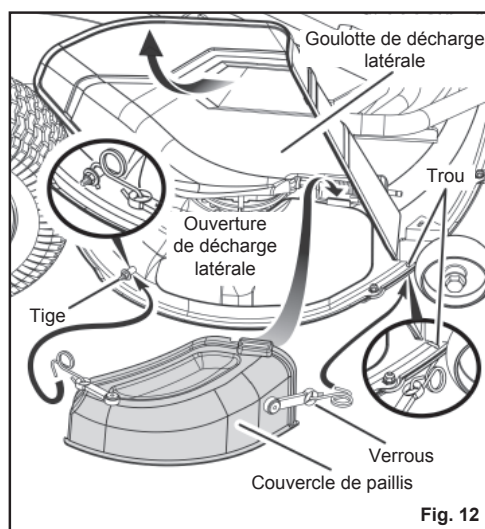
Inspectez toujours le produit afin de vérifier qu'aucune pièce n'est manquante ou endommagée. Vérifiez toujours que les lames ne sont pas endommagées ou irrégulières, ou qu'elles ne présentent pas d'usure excessive avant utilisation. L'utilisation d'un produit ayant des pièces manquantes ou abîmées peut entraîner de graves blessures.

INSTALLATION DU COUVERCLE DE PAILLIS

Voir figure 12.

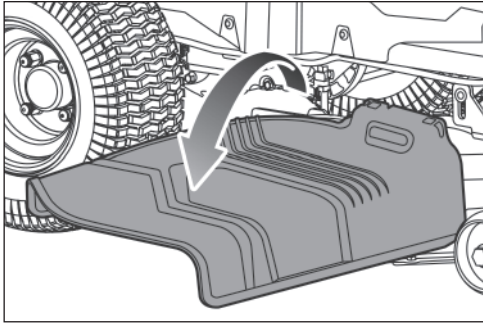
À sa livraison, le produit est configuré pour une décharge latérale. Pour du paillage :

1. Soulevez la goulotte de décharge latérale.
2. Placez le couvercle de paillis sur l'onglet présent sur le logement du carter de coupe.
3. Connectez les loquets du couvercle de paillis aux deux points de montage latéraux du logement du carter de coupe.
4. Libérez la goulotte de décharge latérale.



⚠ AVERTISSEMENT

Veillez à ce que la goulotte de décharge latérale se ferme complètement une fois terminé. Le non-respect de cette précaution peut entraîner de graves blessures.



SERRAGE DU FREIN DE STATIONNEMENT

Voir figure 13.

Pour serrez le frein de stationnement :

1. Mettez la commande de direction au point mort (N).
2. Appuyez sur la pédale de frein et la maintenez-enfoncée.
3. Levez au maximum le levier du frein à main et maintenez-le dans cette position.
4. Relâchez la pédale de frein.
5. Relâchez le levier du frein de stationnement.

Pour desserrez le frein de stationnement :

- Appuyez sur la pédale de frein, puis la Relâchez-la.

⚠ AVERTISSEMENT

Ne laissez jamais le produit sans surveillance lorsque le moteur tourne. Vérifiez que le frein de stationnement est serré et que la clé a été retirée. Si le frein de stationnement n'est pas serré, le produit pourrait se déplacer. Si la clé de contact n'est pas retirée, la machine pourrait être utilisée sans autorisation, ce qui risquerait de provoquer des blessures.

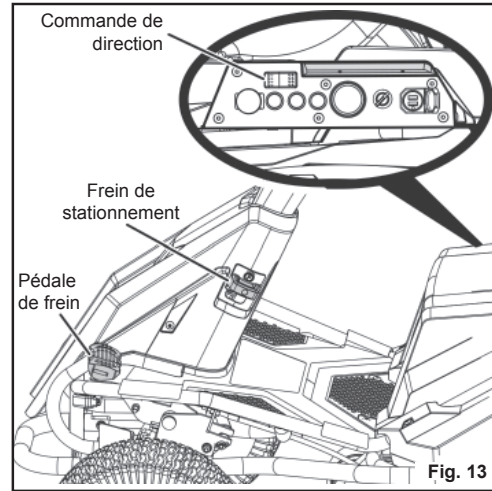


Fig. 13

RÉGLAGE DU SIÈGE

Voir figure 14.

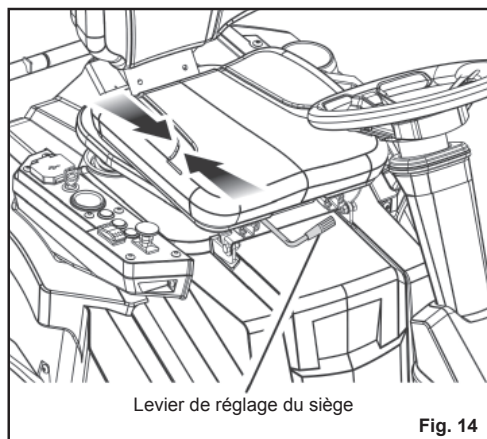
Ajustez la position du siège pour permettre un bon contact entre le pied de l'utilisateur et les pédales d'accélération et de frein avant l'utilisation du produit.

Pour déplacez le siège :

1. Asseyez-vous sur le siège et levez le levier de réglage du siège.
2. Tout en tenant le levier, faites glisser le siège jusqu'à la position souhaitée.
3. Relâchez le levier et assurez-vous que le siège est verrouillé en position avant d'utilisez le produit.

⚠ AVERTISSEMENT

Assurez-vous que le siège est verrouillé en place avant d'utiliser la tondeuse. Un siège mal fixé peut provoquer un mouvement de l'opérateur, qui risquerait alors de perdre le contrôle de la tondeuse et de s'exposer à des blessures graves, voire mortelles.



Levier de réglage du siège

Fig. 14

RÉGLAGE DE LA HAUTEUR DU CARTER DE COUPE

Voir figure 15.

Avant d'utiliser le produit, rehaussez le carter de coupe à la hauteur de coupe la mieux adaptée à votre pelouse.

REMARQUE: Pour éviter de dénuder la terre dans les points les plus hauts, les roues du carter de coupe doivent être positionnées à environ 1,27 cm (1/2 in.) du sol lorsque la tondeuse est réglée à la hauteur de coupe souhaitée. À la livraison, les roues du carter de coupe sont réglées à 3,81 cm (1,5 in.). Selon la hauteur de coupe souhaitée, il pourrait être nécessaire de modifier la position des roues du carter de coupe. Pour ce faites, consultez la section « Réglage des roues du carter de coupe » de ce manuel.

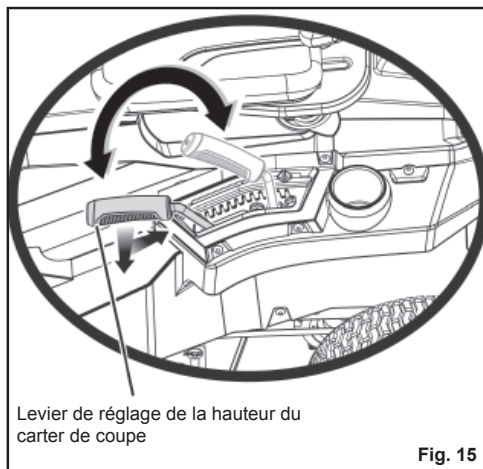
Pour régler la hauteur du carter de coupe :

1. Arrêtez le produit et désengagez les lames.
2. Mettez la clé de contact en position d'arrêt et engagez le frein de stationnement.
3. Pour rehaussez le carter de coupe, saisissez le levier de réglage de la hauteur du carter de coupe, poussez-le vers la gauche pour le dégager de la fente, amenez-le vers l'arrière de la tondeuse, puis poussez vers la droite dans la fente pour le sécuriser.
4. Pour abaissez le carter de coupe, saisissez le levier de réglage de la hauteur du carter de coupe, poussez-le vers la gauche pour le dégager de la fente, amenez-le vers l'avant de la tondeuse,

puis poussez vers la droite dans la fente pour le sécuriser.

⚠ AVERTISSEMENT

Maintenez fermement le levier de réglage de la hauteur du carter de coupe lors du réglage de la hauteur du carter de coupe et relâchez-le uniquement lorsqu'il est sécurisé dans la fente souhaitée. Le relâchement trop rapide du levier peut causer un risque de pincement ou de traction au niveau de la main de l'opérateur.



Levier de réglage de la hauteur du carter de coupe

Fig. 15

RÉGLAGE DU RÉGULATEUR DE VITESSE

Voir figure 16.

Le régulateur de vitesse permet de maintenir le produit à une vitesse constante sans que l'opérateur n'ait à garder le pied sur la pédale d'accélération. Celui-ci ne doit être utilisé qu'en position de marche avant sur des surfaces relativement droites et sans aspérités, et jamais sur des terrains en pente ou accidentés.

Pour régler le régulateur de vitesse :

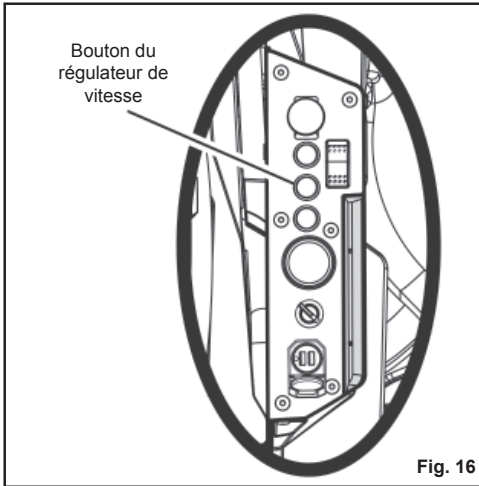
Tout en conduisant le produit en marche avant, appuyez sur la pédale de d'accélération jusqu'à atteindre la vitesse souhaitée.

1. Appuyez sur le bouton du régulateur de vitesse. Le voyant situé autour du bouton s'allume pour indiquer que le régulateur de vitesse est en marche.
2. Relâchez la pédale d'accélération.

La vitesse de la tondeuse doit rester constante.

Pour désactiver le régulateur de vitesse :

1. Appuyez sur la pédale d'accélération.
2. Relâchez la pédale de frein ou appuyez à nouveau sur le bouton du régulateur de vitesse. Le voyant situé autour du bouton s'éteint pour indiquer que le régulateur de vitesse est désactivé.



UTILISATION DU PRODUIT

Voir figures 17 - 18.

⚠ AVERTISSEMENT

Éloignez toutes les personnes se trouvant à l'intérieur du périmètre de travail avant d'utiliser le produit. Si une personne entre dans la zone de travail, arrêtez immédiatement et ne recommencez pas à tondez tant que cette personne n'a pas quitté la zone de travail.

Avant de démarrer le produit :

- Assurez-vous que la zone de travail est exempte de toute personne, d'enfants et d'animaux domestiques.
- Dégagez la zone de travail de tout objet susceptible d'être éjecté par les lames de la tondeuse.
- Vérifiez le fonctionnement du frein.
- Vérifiez la pression des pneus.

- Vérifiez le bon serrage des attaches.
- Assurez-vous que toutes les protections sont en place et qu'elles fonctionnent correctement.
- Nettoyez les débris de la tondeuse.
- Vérifiez le système de verrouillage de sécurité de la goulotte de décharge.
- Vérifiez le système de verrouillage de sécurité de présence de l'opérateur.
- Réglez le siège à la position souhaitée.
- Vérifiez le niveau de charge de la batterie.

⚠ AVERTISSEMENT

Lorsque le niveau de charge de la batterie atteint la zone rouge de la jauge de charge de la batterie, les lames s'arrêtent automatiquement. Revenez immédiatement au point de charge et rechargez la tondeuse. En continuant à tondez alors que le niveau de charge de la batterie se situe dans la zone rouge, la tondeuse tombera à court de charge loin de la zone de charge.

REMARQUE: Dans ce cas, mettez la commande de direction au point mort (N) et poussez la tondeuse jusqu'au point de charge.

Tonte :

1. Réglez le carter de coupe à la hauteur maximale.
2. Insérez la clé de contact et mettez-la en position de marche.
3. Desserrez le frein de stationnement.
4. Mettez la commande de direction en position de marche avant (F) et conduisez jusqu'à l'emplacement de tonte souhaité.

⚠ AVERTISSEMENT

Avant d'appuyer sur la pédale d'accélération, assurez-vous d'avoir correctement réglé le sens de déplacement souhaité au niveau de la commande de direction, au risque de déplacer la tondeuse dans une autre direction et provoquer ainsi une perte de contrôle ou un accident, qui entraînerait des blessures graves, voire mortelles, ou des dommages matériels.

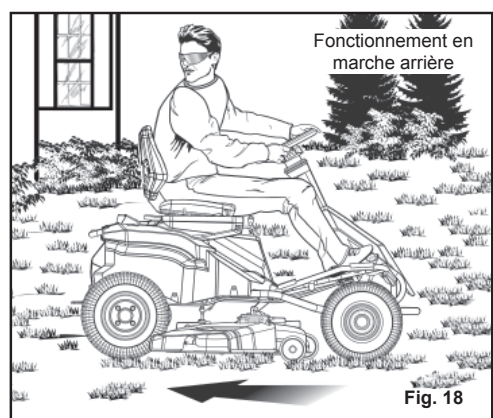
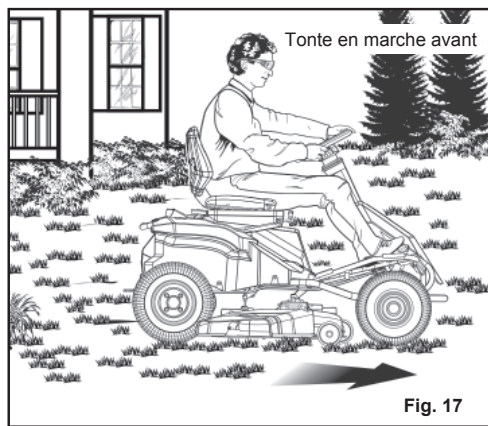
5. Arrêtez la tondeuse, serrez le frein de stationnement et mettez la clé de contact en position d'arrêt.
6. Réglez de carter de coupe à la position souhaitée.
7. Mettez la clé de contact en position de marche et desserrez le frein de stationnement.
8. Tirez sur le bouton d'activation des lames et appuyez sur la pédale d'accélération pour tondez la pelouse.

⚠ AVERTISSEMENT

Faites preuve de prudence lors du franchissement de chemins ou allées gravillonné(e)s. Avant de traverser, arrêtez les lames et réglez le carter de coupe à la hauteur maximale afin de limiter les risques de ricochets. Conduisez lentement afin d'éviter toute perte de traction et de contrôle.

⚠ AVERTISSEMENT

Ne cherchez pas à changer de sens de fonctionnement lorsque la tondeuse est en mouvement. Attendez toujours une immobilisation complète avant de changer la direction de tonte.

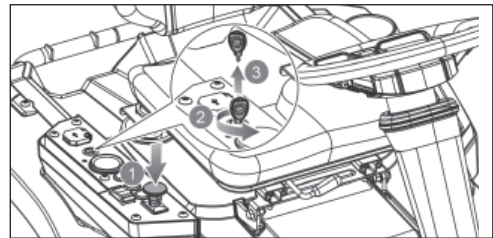


Fonctionnement en marche arrière :

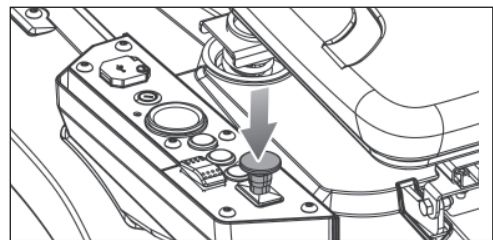
⚠ AVERTISSEMENT

Le produit émettra une tonalité continue lors d'un fonctionnement en marche arrière avec la lame désactivée ou en marche arrière.

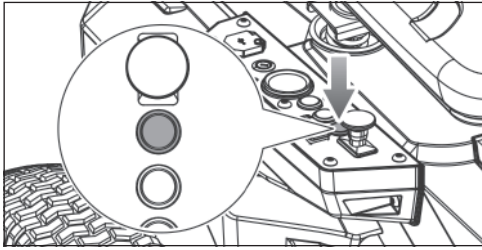
1. Appuyez sur la pédale de frein et immobilisez complètement le produit.



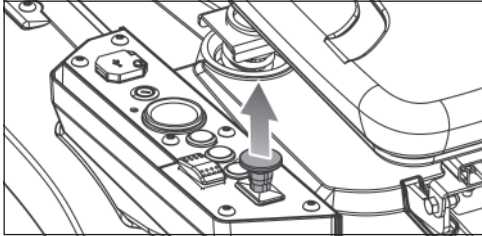
2. Appuyez sur le bouton d'activation des lames pour arrêter les lames.



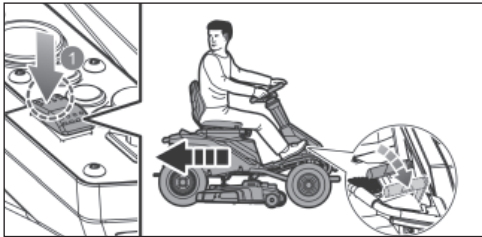
3. Appuyez sur le bouton de mode Marche arrière.



4. Tirez sur le bouton d'activation des lames.



5. Réglez la commande de direction en position de marche arrière (R). Appuyez lentement sur la pédale d'accélération et tondez en marche arrière.



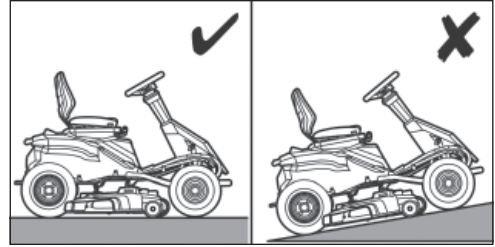
⚠ AVERTISSEMENT

Ne tondez pas en marche arrière, sauf en cas de nécessité absolue. Regardez toujours vers le bas et derrière vous avant et pendant une marche arrière afin de veiller à ce qu'aucune personne, adulte ou enfant, ou animal domestique n'entre dans la zone de tonte. Notez que le fonctionnement en mode de marche arrière est activé lorsque le bouton de marche arrière est allumé en rouge et qu'une tonalité continue est émise. N'oubliez pas qu'il suffit d'une fraction de seconde d'inattention pour provoquer des blessures graves, voire mortelles.

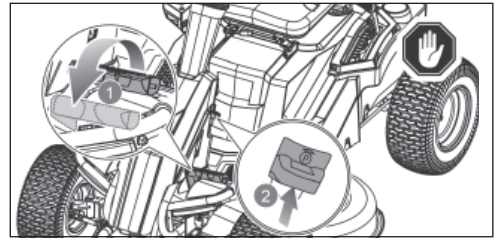
Une fois la tonte terminée :

⚠ AVERTISSEMENT

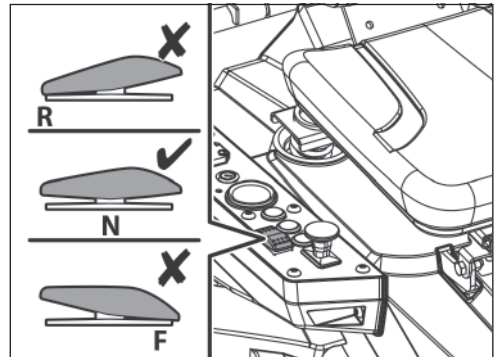
Arrêtez le produit sur une surface plane et de niveau. N'arrêtez pas le produit en pente.



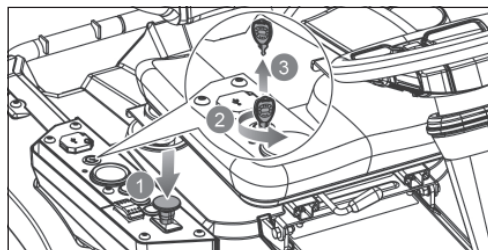
1. Appuyez sur la pédale de frein et activez le frein de stationnement.



2. Mettez la commande de direction au point mort (N).



3. Appuyez sur le bouton d'activation des lames pour arrêter les lames. Mettez la clé de contact en position d'arrêt et retirez la clé.



⚠ AVERTISSEMENT

Si le produit émet un bip lorsque le siège devient vacant, vérifiez que le frein de stationnement est engagé et que la clé a été retirée. Si le frein de stationnement n'est pas serré, le produit pourrait se déplacer. Si la clé de contact n'est pas retirée, la machine pourrait être utilisée sans autorisation, ce qui risquerait de provoquer des blessures.

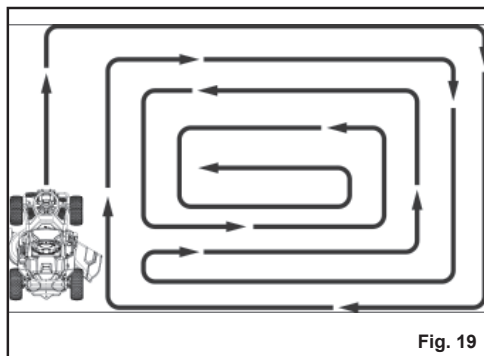


Fig. 19

REMARQUE: Le fonctionnement en marche arrière se réinitialise à chaque fois que l'interrupteur est mis en position d'arrêt.

CONSEILS DE TONTE

Voir figure 19.

- Gardez les lames de la tondeuse bien tranchantes.
- Assurez-vous que la pelouse ne comporte pas de cailloux, bâtons, fils, jouets, fruits à coque, branches et autres objets susceptibles d'endommager le moteur ou les lames de la tondeuse. Ne tondez pas au niveau des poteaux de propriétés ou autres poteaux métalliques. De tels objets pourraient endommager la lame ou se trouver accidentellement projetés par le produit dans n'importe quelle direction et provoquer des blessures graves pour l'opérateur et les autres.
- Pour la santé du gazon, coupez toujours un tiers de la hauteur totale de l'herbe ou moins.

- Lors de la tonte dans de grands espaces, commencez par tondez vers la droite afin de ne pas éjecter les résidus de tonte vers les arbustes, barrières et allées. Après un ou deux tours, tondez dans la direction opposée et n'effectuez des tours vers la gauche jusqu'à la fin.
- Tondez de façon à ce que les résidus de tonte soient éjectés en direction de la surface ayant déjà été tondu.
- Lors de la coupe d'herbes hautes, réduisez la vitesse afin d'obtenir une coupe plus efficace et d'éjecter correctement les résidus.
- Ne coupez pas de l'herbe humide. Les tiges d'herbe mouillée colle à la partie inférieure du carter de coupe et empêchent le paillage correct des résidus de coupe.
- L'herbe épaisse ou les nouvelles pousses peuvent nécessiter une largeur de coupe moins importante ou une hauteur de coupe plus importante.
- Veillez à ce que le carter de coupe et la décharge latérale restent propres. Retirez les résidus de coupe, les feuilles, la saleté et tout autre amas de débris avant et après chaque utilisation. Ne nettoyez pas le produit en le pulvérisant avec un tuyau d'arrosage de jardin.

REMARQUE: Arrêtez toujours le produit, laissez le produit s'immobiliser totalement et retirez la clé de contact avant de nettoyer sous le produit.

TONTE D'UN TERRAIN EN PENTE

Voir figure 20.

⚠ AVERTISSEMENT

Les pentes constituent un facteur majeur de pertes de contrôle et des renversements, et peuvent provoquer ainsi des blessures graves, voire mortelles. La tonte d'un terrain pentu demande des précautions supplémentaires. Ne tondez pas sur dans une pente s'il est impossible de la remonter en marche arrière ou en cas de manque de confiance quant à la manipulation de la tondeuse. N'utilisez jamais le produit dans des pentes de plus de 15°. Effectuez une copie du « Guide pour tondez en pente » située à la fin de ce manuel, ou découpez-le, et utilisez-le pour déterminer si la pente est trop abrupte pour un fonctionnement en toute sécurité.

- Tondez dans le sens de la pente, pas en travers.
- Ne tondez pas une pelouse mouillée. L'herbe mouillée pourrait provoquer une perte d'adhérence des pneus ou un patinage/dérapiage de ceux-ci en pente, même si les freins fonctionnent correctement.
- Prenez garde aux trous, racines, pierres, objets cachés, ou buttes qui peuvent vous faites glisser ou trébucher. Les herbes hautes peuvent masquer les obstacles. Retirez tous les objets tels que pierres, branches, etc. qui pourraient vous faites trébucher ou être projetés par la lame.
- Ne tondez pas à proximité de fossés, d'escarpements ou de talus.
- Conduisez lentement et n'effectuez pas de changement soudain de vitesse ou de direction.
- Évitez de vous arrêter en pente, dans la mesure du possible. Si un arrêt est inévitable, veillez à bien engager le frein de stationnement. Lors du redémarrage, utilisez la vitesse la plus basse possible. Si un changement de direction est nécessaire,

faites preuve d'extrême prudence et tournez toujours en descendant la pente.

- En cours de fonctionnement, n'essayez jamais de stabiliser la tondeuse dans une pente en mettant le pied au sol.
- Utilisez toujours les freins lors de la descente de la pente. N'essayez de laisser pas la tondeuse descendre une pente en roue libre au point mort.
- Si, à tout moment, les pneus perdent leur adhérence lors d'une utilisation en pente, désengagez les lames et avancez doucement et avec précaution dans le sens de la pente.

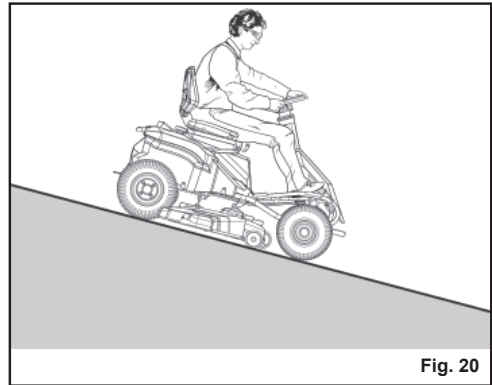


Fig. 20

TRANSPORT DE L'APPAREIL

Voir figure 21.

⚠ AVERTISSEMENT

Faites preuve de prudence lors du chargement ou du déchargement du produit sur/ depuis une remorque ou un camion. Appuyez sur la pédale de frein si nécessaire pour contrôler la vitesse. La tondeuse roule librement si elle se déplace sur une surface inclinée sans que la pédale de frein ou le frein de stationnement ne soit actionné(e). Le non-respect de ces instructions peut entraîner une perte de contrôle et provoquer des blessures graves, voire mortelles, ainsi que des dommages matériels.

⚠ AVERTISSEMENT

Faites preuve de prudence lors du chargement ou du déchargement du produit sur/depus une remorque. Assurez-vous que le carter de coupe est relevé en position maximale pour ne pas se trouver bloquer sur la rampe. Les roues du produit peuvent quitter la rampe ou la remorque, provoquant le pivotement ou le basculement du produit, et entraîner un risque d'écrasement susceptible de causer des blessures graves, voire mortelles.

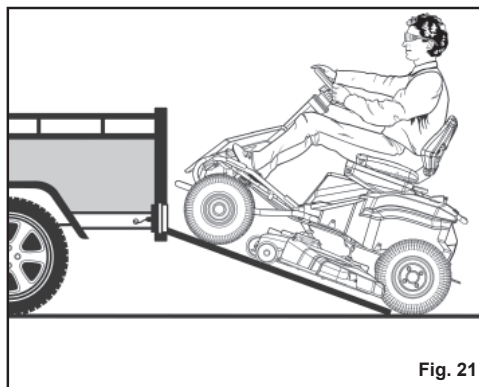


Fig. 21

1. Garez le produit sur une surface plane.
2. Réglez le carter de coupe à la hauteur maximale.
3. Positionnez et fixez une rampe sur la remorque conformément aux instructions du fabricant.

REMARQUE: Utilisez une rampe de chargement d'au moins 30,5 cm plus large que la tondeuse afin d'éviter au maximum que les roues quittent la rampe.

4. Conduisez lentement le produit sur la rampe et sur la remorque.
5. Réglez le carter de coupe à la hauteur minimale.
6. Mettez le produit à l'arrêt, serrez le frein de stationnement et retirez la clé de contact.
7. Sécurisez le produit si nécessaire à l'aide de sangles ou de câbles afin d'empêcher tout mouvement pendant le transport.

⚠ AVERTISSEMENT

Afin d'éviter tout démarrage ou mouvement accidentel du produit susceptible de causer des blessures graves, retirez toujours la clé de contact et engagez le frein de stationnement lors du transport du produit.

ENTREtenir LE PRODUIT

⚠ AVERTISSEMENT

Mettez le produit à l'arrêt, serrez le frein de stationnement et retirez la clé de contact. Assurez-vous que toutes les pièces mobiles se sont immobilisées totalement avant d'effectuer des tâches de maintenance afin d'éviter tout démarrage accidentel et d'éventuelles blessures graves.

⚠ AVERTISSEMENT

Portez toujours des lunettes de sécurité avec protections latérales. Le non-respect de cette consigne peut entraîner la projection de corps étrangers dans vos yeux et provoquer des lésions oculaires graves.

⚠ AVERTISSEMENT

Une maintenance incorrecte pourrait empêcher le bon fonctionnement du produit ou des fonctions de sécurité, et augmenter ainsi les risques de blessure grave. Veillez à la sécurité permanente du produit et confiez son entretien à du personnel qualifié.

⚠ AVERTISSEMENT

N'utilisez que des pièces détachées d'origine constructeur pour les opérations d'entretien. L'utilisation de toute autre pièce peut être dangereuse et entraîner des dommages matériels.

⚠ AVERTISSEMENT

Observez scrupuleusement toutes les spécifications de serrage de la clé dynamométrique. Le non-respect de cette précaution peut entraîner de graves blessures.

⚠ AVERTISSEMENT

Avant chaque utilisation, vérifiez qu'aucun élément du produit tel que vis, écrous, boulons, couvercles, etc. n'est endommagé, manquant ou desserré. Serrez fermement toutes les attaches et tous les bouchons et n'utilisez pas ce produit tant que tous ses éléments manquants ou endommagés n'ont pas été remplacés. Contactez un centre de service agréé.

Entretien général

Évitez d'utiliser des solvants pour nettoyer les parties en plastique. La plupart des plastiques sont susceptibles d'être endommagés par un grand nombre de solvants du commerce. Utilisez des chiffons propres pour retirer la saleté, les poussières, l'huile, la graisse, etc.

⚠ AVERTISSEMENT

Ne laissez jamais du liquide de frein, de l'essence, des produits pétroliers, des huiles pénétrantes, etc. entrer en contact avec les éléments en plastique. Les produits chimiques peuvent endommager, affaiblir ou détruire les plastiques, ce qui peut entraîner de graves blessures.

Éliminez tout amas d'herbes et de feuille sur ou autour du couvercle du moteur. Nettoyez de temps en temps la tondeuse à l'aide d'un chiffon sec. N'utilisez pas d'eau.

RÉGLAGE DES ROUES DU CARTER DE COUPE

Voir figure 22.

Les roues du carter de coupe doivent être positionnées à environ 1,27 cm (1/2 in.) du sol

lorsque la tondeuse est réglée à la hauteur de coupe souhaitée. Ceci permettra d'éviter de dénuder la terre dans la plupart des situations. À la livraison, les roues sont en Position A.

Pour régler les roues du carter de coupe :

1. Garez le produit sur une surface plane et engagez le frein de stationnement.
2. Mettez le produit à l'arrêt et retirez la clé de contact. Assurez-vous que tous les éléments en mouvement se sont bien arrêtés.
3. Réglez le carter de coupe à la hauteur souhaitée.
4. Retirez l'écrou et la vis fixant la roue du carter de coupe en place.
5. Mettez la roue à la position souhaitée. Positions de trou possibles :
 - 3,81 cm. (1,5 in.) (A)
 - 4,44 cm (1,75 in.) (B)
 - 5,08 cm. (2 in.) (C)
 - 5,72 cm (2,25 in.) (D)
6. Remettez le boulon et l'écrou en place et serrez fermement l'écrou. Serrez l'écrou à 5,42-8,13 Nm (4-6 ft. lbs.).
7. Répétez la procédure avec l'autre roue du carter de coupe, en veillant à ce que les deux roues soient installées dans la même position.

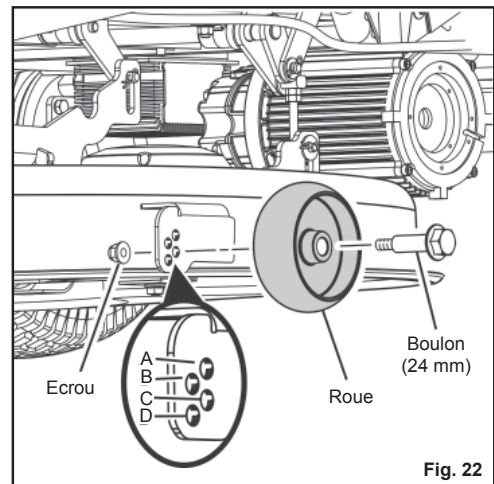


Fig. 22

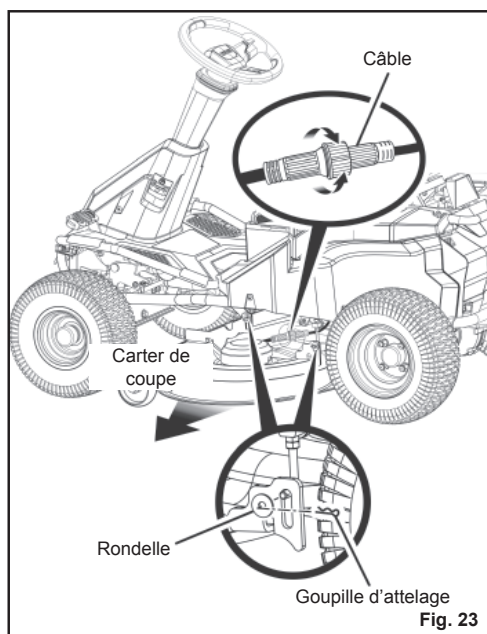
RETRAIT DU CARTER DE COUPE

Voir figure 23.

Le carter de coupe peut être retiré de la tondeuse pour faciliter l'accès aux lames en vue de leur remplacement.

1. Assurez-vous que la commande de direction est au point mort (N) et que le bouton d'activation des lames est enfoncé.
2. Mettez le produit à l'arrêt, serrez le frein de stationnement et retirez la clé de contact. Assurez-vous que tous les éléments en mouvement se sont bien arrêtés.
3. Déconnectez les câbles raccordant le carter de coupe à la tondeuse.
4. Réglez le carter de coupe à la hauteur minimale.
5. Déposez les 4 ensembles broche d'attelage/rondelle fixant le carter de coupe en place.
6. Faites coulisser le carter situé sous la tondeuse.

Effectuez la procédure dans le sens inverse pour réinstallez le carter de coupe sur la tondeuse.



REMPACEMENT DE LA LAME DE COUPE

Voir figures 24 - 26.

⚠ AVERTISSEMENT

Utilisez uniquement des lames de rechange d'origine et des boulons de lame autorisés par le fabricant de la tondeuse autoportée. L'utilisation de lames et de boulons de lame non autorisés est dangereuse et pourrait endommager la tondeuse autoportée.

1. Assurez-vous que la commande de direction est au point mort (N) et que le bouton d'activation des lames est enfoncé.
2. Mettez le produit à l'arrêt, serrez le frein de stationnement et retirez la clé de contact.
3. Réglez le carter de coupe à la hauteur maximale pour permettre l'accès aux lames.

REMARQUE: Si nécessaire, soulevez la tondeuse. Pour cela, mettez-la sur un pont élévateur, utilisez des chandelles ou retirez le carter de coupe tel que décrit à la section préalable pour accéder aux lames.

⚠ AVERTISSEMENT

En cas d'élévation de la tondeuse afin d'accéder aux lames, assurez-vous que la tondeuse est correctement fixée et que le frein de stationnement est engagé avant d'effectuer les opérations prévues. Si la tondeuse est mal sécurisée, elle pourrait tomber et provoquer des blessures graves, voire mortelles.

4. Coincez un bloc de bois entre la lame et son carter pour l'empêcher de tourner.
5. Desserrez l'écrou de la lame en le tournant dans le sens inverse des aiguilles d'une montre (lorsque l'on regarde par dessous la tondeuse) à l'aide d'une clé ou d'une douille de 15°mm (non fournie).
6. Retirez l'écrou de lame, l'entretoise, l'isolateur de lame, et la lame.
7. Mettez la nouvelle lame sur l'arbre, contre les montants de lame correspondants. Assurez-vous que la lame est bien en place sur l'arbre qui passe à travers le trou central de la lame et que les deux pions de centrage de lame sont bien insérés dans

leurs trous de lame respectifs. Assurez-vous qu'elle est orientée de façon que ses extrémités recourbées pointent vers le carter et non vers le sol. Lorsqu'elle est bien installée, la lame doit reposer à plat contre les montants de lame.

8. Réinstallez l'isolant de lame et l'entretoise, en veillant à ce que les côtés plats de chaque composant soient bien alignés et que les côtés droits de l'ouverture de l'entretoise soient alignés avec les côtés droits du corps de lame.

REMARQUE: Assurez-vous que toutes les pièces ont bien été remontées dans l'ordre inverse du démontage.

9. Filetez l'écrou de lame sur le corps et serrez à la main.
10. Serrez l'écrou de lame dans le sens des aiguilles d'une montre à l'aide d'une clé dynamométrique (non fournie) afin de vous assurer que l'écrou est serré de façon correcte. Le couple de serrage recommandé pour le boulon de lame est de 68 - 74 Nm (600-650 in. lbs.)

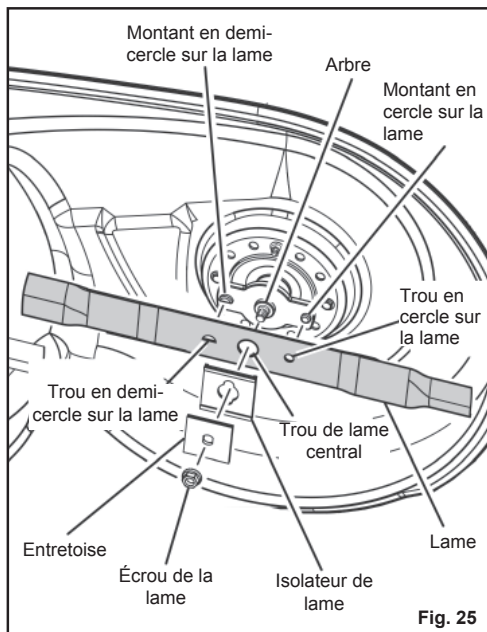


Fig. 25

⚠ AVERTISSEMENT

Vérifiez que la lame est correctement installée et que l'écrou de lame est serré conformément aux spécifications ci-dessus. Une mauvaise fixation de la lame pourrait provoquer son desserrage et entraîner des blessures graves.

Répétez la procédure avec la deuxième lame, si nécessaire.

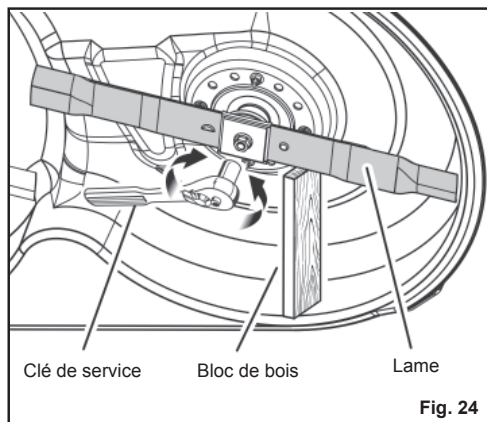


Fig. 24

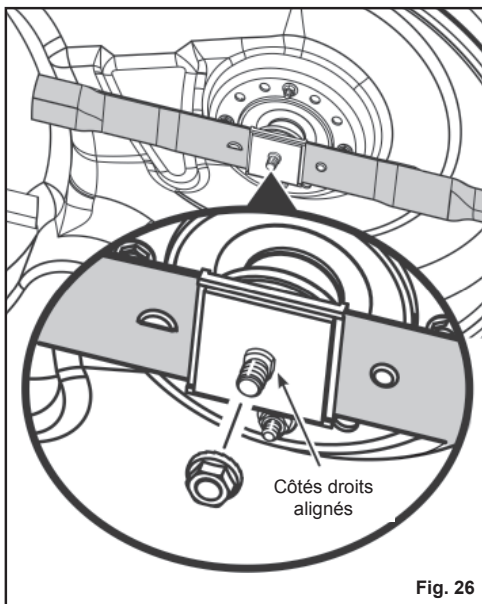


Fig. 26

ENTRETIEN DES PNEUS

Le produit est équipé de pneus sans tube aux dimensions suivantes :

- Pneus avant : 38,1x15,2x15,2 cm
- Pneus arrière : 40,6x16,5x20,3 cm

Pression de gonflage des pneus

Avant utilisation, vérifiez la pression de gonflage de tous les pneus. Une mauvaise pression de gonflage affectera la manipulation, la réaction de direction, la traction, la durée de vie des pneus, la régularité de coupe et le confort de l'opérateur. Vérifiez que les pneus sont gonflés à la pression recommandée (1,6 bar).

REMARQUE: La pression des pneus doit être mesurée ou ajustée uniquement lorsque les pneus sont froids.

⚠ AVERTISSEMENT

Vérifiez soigneusement la pression des pneus lors du gonflage. Une quantité d'air trop importante dans les pneus pourrait provoquer leur éclatement et provoquer de graves lésions.

⚠ AVERTISSEMENT

Il est très important de maintenir une pression de gonflage correcte au niveau des pneus. Une pression trop faible permettrait au pneu de se déformer progressivement de la jante. Une pression trop importante pourrait provoquer l'éclatement du pneu. Une pression de gonflage incorrecte au niveau des pneus pourrait affecter le fonctionnement et la stabilité de la tondeuse, et provoquer de graves blessures.

RÉPARATION DES PNEUS

En cas de dégonflage total ou partiel lié à une crevaison, le pneu peut être réparé au moyen d'une rustine. En cas de dommage causé par une coupure ou si la crevaison ne peut être réparée à l'aide d'une rustine, remplacez le pneu.

REMPACEMENT DE PNEUS

L'usure des pneus et augmente ainsi les risques d'accident. Remplacez les pneus lorsque la profondeur du filetage est inférieure ou égale à 4 ou dès lors que le pneu est endommagé. Utilisez toujours des pneus de rechange originaux. L'utilisation de pneus incorrects sur le produit pourrait provoquer une perte de contrôle et provoquer des blessures graves.

Confiez le remplacement des pneus à un centre de service agréé.

RÉGLAGE DES FREINS

Voir figure 27.

Il est essentiel pour la sécurité de la tonte que la tondeuse puisse être arrêtée. Si la tondeuse se déplace plus loin avant de s'arrêter lorsque l'opérateur appuie sur la pédale de frein, les freins pourraient nécessiter un réglage.

Pour effectuer un test de freinage :

1. Arrêtez le produit sur une surface plane et engagez le frein de stationnement.
2. Mettez la commande de direction au point mort (N).
3. Tenez-vous derrière la tondeuse et essayez de la pousser vers l'avant. En cas de rotation des pneus arrière, les freins ont besoin d'être resserrés.

Pour resserrer les freins :

1. Placez les écrous de réglage des freins sur le côté interne de chacune des roues arrière.
2. Tournez chaque écrou de réglage d'1/4 de tour dans le sens horaire, puis essayez à nouveau de pousser la tondeuse.
3. Continuez à tourner chaque écrou d'1/4 de tour et à tester jusqu'à ce que la tondeuse ne puisse plus se déplacer lorsqu'elle est poussée.

Après un dernier réglage, testez les freins. Pour cela, conduisez la tondeuse à une vitesse normale sur un terrain plat afin de vérifier que la tondeuse s'arrête rapidement lors d'une pression sur la pédale de frein.

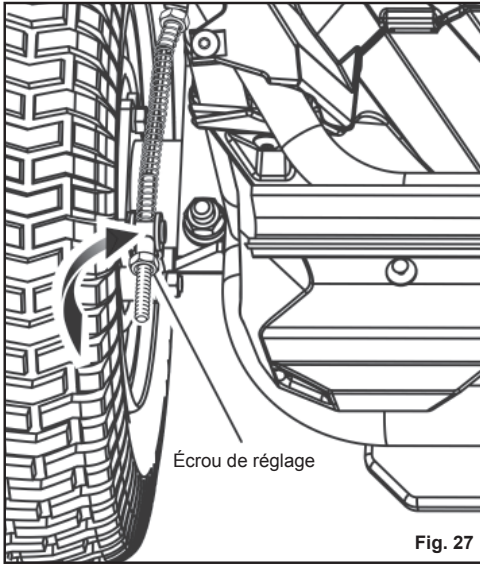


Fig. 27

REPLACEMENT DES PHARES

Voir figure 28.

Contactez un centre de service autorisé pour commander un nouveau phare.

1. Arrêtez le produit sur une surface plane et engagez le frein de stationnement.
2. Mettez le produit à l'arrêt et retirez la clé de contact.
3. Retirez la vis à tête hexagonale et la rondelle plate en maintenant le panneau de sol de la tondeuse en place. mettez -les de côté.
4. Soulevez légèrement le panneau de sol pour accéder aux deux vis hexagonales et aux rondelles plates fixant le phare en place. Retirez les vis et les rondelles, et mettez-les de côté.
5. Déconnectez l'ancien phare et mettez-le au rebut.
6. Connectez le nouveau phare, puis réinstallez et serrez bien les rondelles et les vis.
7. Abaissez le panneau de sol et fixez-le à l'aide de la rondelle et de la vis.

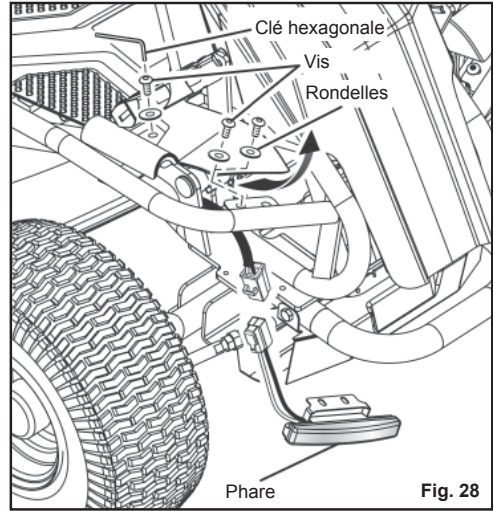


Fig. 28

MISE À NIVEAU DU CARTER DE COUPE

Voir figures 29 - 30.

En cas de coupe irrégulière de la pelouse après avoir utilisé la tondeuse, le carter de coupe pourrait avoir besoin d'être réglé. Avant d'établir qu'un nivellement du carter de coupe est nécessaire, assurez-vous que les pneus sont correctement gonflés à la pression recommandée lors de la tonte. Un gonflage excessif ou insuffisant des pneus pourrait affecter l'aspect de la coupe. Un simple ajustement du gonflage des pneus pourrait résoudre les problèmes de coupe irrégulière.

REMARQUE: Vérifiez toujours l'ajustement transversal et ajustez-le au besoin avant de mesurer et d'ajustez l'assiette longitudinale.

Avant de commencer :

1. Assurez-vous que la commande de direction est au point mort (N) et que le bouton d'activation des lames est enfoncé.
2. Mettez le produit à l'arrêt, serrez le frein de stationnement et retirez la clé de contact.
3. Réglez le carter de coupe à la hauteur maximale.

Pour procéder à un ajustement transversal :

1. Positionnez les lames de sorte que les extrémités pointent vers les côtés de la tondeuse.

2. Sur le bord extérieur de chaque lame, mesurez la distance entre le bord inférieur du côté de la lame et le sol. Si la distance entre les deux côtés est supérieure à 0,32 cm. (1/8 in.), un ajustement transversal est nécessaire.
3. Desserrez les contre-écrous comme illustré sur le côté que vous souhaitez ajustez.
4. Tournez les écrous de réglage dans le sens horaire pour rehaussez le côté du carter de coupe, ou dans le sens anti-horaire pour l'abaissez. Chaque tour complet de l'écrou de réglage modifie la hauteur du carter d'environ 0,48 cm (3/16 in.).
5. Mesurez à nouveau la distance entre la lame et le sol. Continuez à procéder à des ajustements et à des mesures jusqu'à ce que la différence entre la distance de chaque côté soit inférieure ou égale à 0,32 cm. (1/8 in.).
6. Procédez à un réglage de l'assiette longitudinale ou resserrez les contre-écrous pour les fixez.

REMARQUE: Lors du rehaussement du côté, l'écrou de réglage supérieur doit être tourné en premier. En cas d'abaissement, tournez en premier l'écrou inférieur.

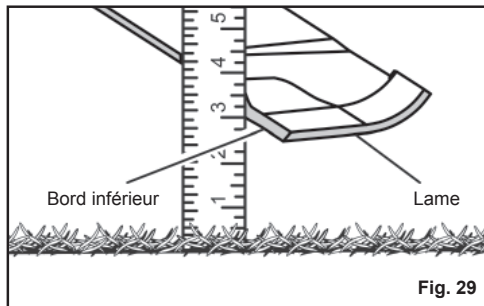


Fig. 29

Pour régler l'assiette longitudinale :

REMARQUE: Ajustez toujours l'assiette transversale du carter de coupe avant d'ajuster l'assiette longitudinale.

1. Positionnez la lame au plus près de la goulotte de décharge, de sorte que l'extrémité soit orientée vers l'avant et l'arrière de la tondeuse.
2. Mesurez la distance entre la pointe de la lame et le sol. Pour des résultats optimaux, la pointe avant de la lame doit se situer entre 0,32 et 0,95 cm. (1/8 et 3/8 po.) plus bas que la pointe arrière.
3. Pour procéder à un ajustement longitudinal, tournez les écrous de réglage dans le sens horaire pour rehaussez l'arrière du carter de coupe, ou dans le sens anti-horaire pour l'abaissez. Chaque tour complet de l'écrou de réglage modifie la hauteur du carter d'environ 0,32 cm (1/8 in.).

REMARQUE: Tournez de façon égale les écrous de réglage se trouvant de chaque côté afin d'éviter de fausser à nouveau les mesures transversales.

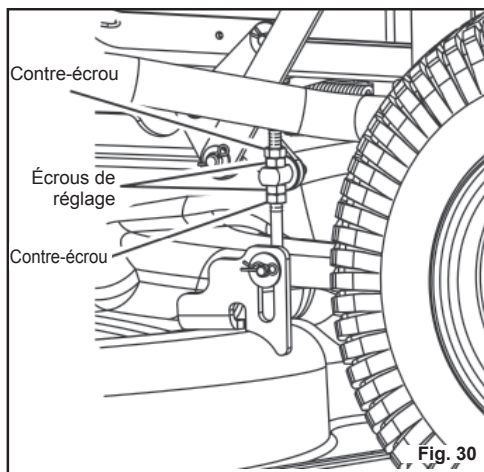


Fig. 30

REMPACEMENT DE LA BATTERIE

Voir figure 31 - 36.

REMARQUE: Utilisez uniquement des batteries à l'acide-plomb pour tondeuse autoportée RYOBI, réf.: 5131042607.

La tondeuse fonctionne sur quatre batteries de 12 V raccordées en série. Si vous remplacez au moins une des batteries, vous devez toujours les remplacer par des batteries du même type, de tension et de capacité égales.

⚠ AVERTISSEMENT

Lors du remplacement, utilisez uniquement des batteries à l'acide-plomb d'origine.

Ne mélangez jamais différentes marques et tailles de batteries dans une même série. À terme, ceci aurait pour effet d'endommager les batteries et, potentiellement, la tondeuse.

⚠ AVERTISSEMENT

N'ouvrez pas et n'endommagez pas les batteries. Les fuites d'électrolyte sont corrosives et sont susceptibles de causer des dommages aux yeux ou à la peau. L'électrolyte peut être toxique en cas d'ingestion.

N'incinerez pas la batterie. Les batteries pourraient exploser. Vérifiez dans les codes locaux l'éventuelle existence d'instructions spécifiques concernant la mise au rebut.

Lorsqu'un bloc de batterie n'est pas utilisé, maintenez-le à l'écart de tout autre objet métallique, par exemple trombones, pièces de monnaie, clés, clous, vis ou autres objets de petite taille qui peuvent donner lieu à une connexion d'une borne à une autre. La mise en court-circuit des bornes du bloc de batterie pourrait causer des étincelles, des brûlures, un incendie, ou une explosion.

Lors de la manipulation des batteries, veillez à ne pas les court-circuiter avec des matériaux conducteurs tels que des bagues, des bracelets ou des clés. La batterie ou le conducteur pourrait surchauffer et provoquer des brûlures.

1. Arrêtez le produit sur une surface plane et engagez le frein de stationnement.
2. Mettez le produit à l'arrêt et retirez la clé de contact.
3. Basculez le siège de la tondeuse.
4. Appuyez sur les deux languettes se trouvant de chaque côté du couvercle de câbles, soulevez le couvercle et tournez-le sur un côté.
5. Retirez et mettez de côté la vis à tête hexagonale fixant le plateau de batteries en place.

6. Débranchez la prise à connexion rapide des batteries. Cette prise permet de raccorder les batteries à la tondeuse.
7. Retirez les quatre vis fixant le couvercle du compartiment de batterie en place.
8. Débranchez la prise de la thermistance. La prise connecte les batteries au port de charge.
9. Déposez les deux boulons/écrous à bride fixant l'avant du plateau de batterie en place.
10. Tirez le plateau de batterie, en reposant l'extrémité se situant à l'extérieur de la tondeuse sur une surface stable, capable de supporter un poids minimum de 136,1 kg.

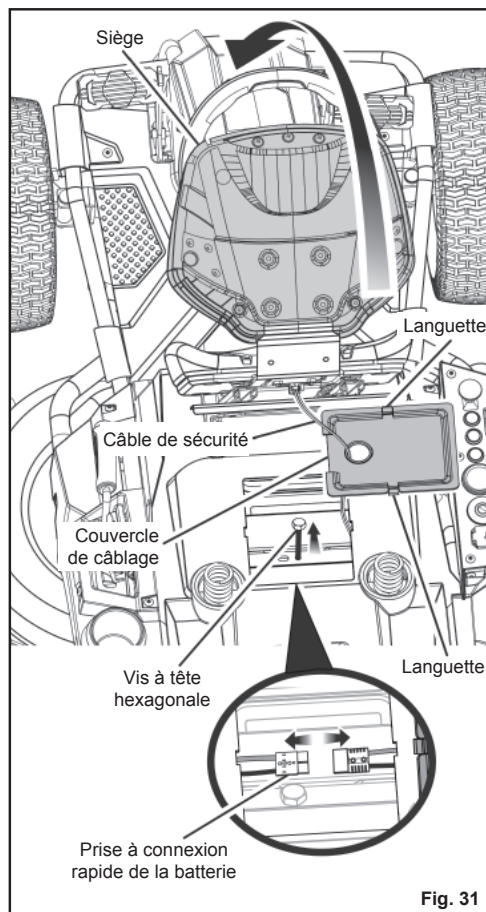
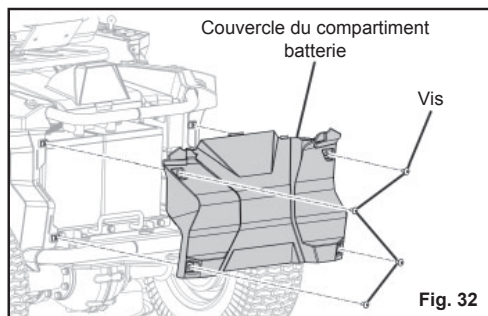
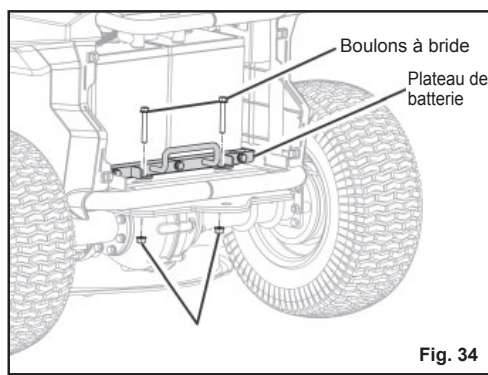
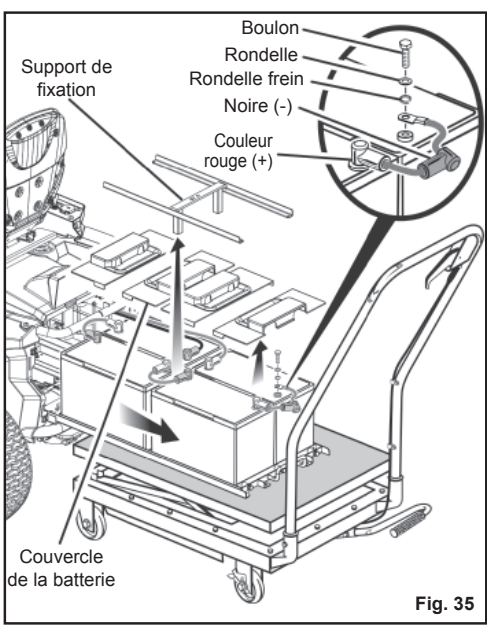
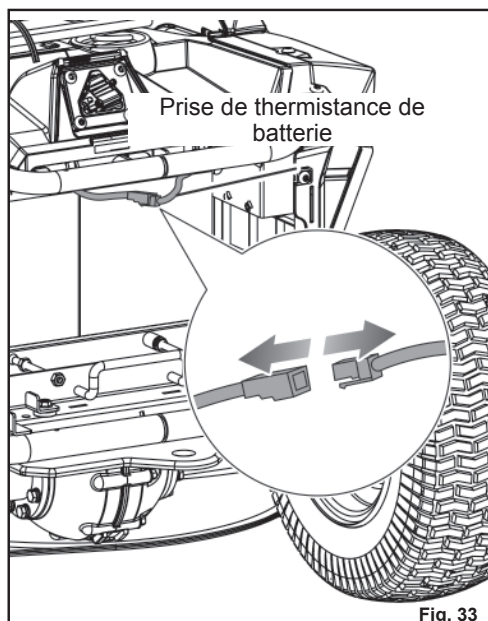


Fig. 31



⚠ AVERTISSEMENT

Le plateau de batterie est très lourd ; son extension nécessite l'intervention de deux personnes. Nous conseillons l'utilisation d'un chariot hydraulique de type table (ou un dispositif similaire) pour l'extension du plateau. Une mauvaise extension du plateau de batterie et un support incorrect pourraient entraîner des blessures graves et endommager la tondeuse.



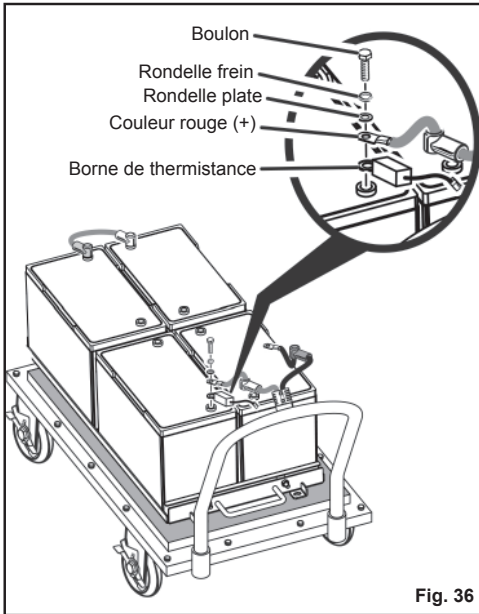


Fig. 36

⚠ AVERTISSEMENT

En cas d'utilisation abusive, du liquide peut sortir du bloc de batterie. Évitez tout contact avec ce liquide. En cas de contact accidentel, rincez soigneusement avec de l'eau. Si du liquide entre en contact avec les yeux, consultez un médecin. Le liquide qui sort du bloc de batterie peut entraîner des irritations de la peau ou causer des brûlures.

11. Soulevez le support de fixation des batteries de ces dernières et mettez-le de côté.
12. Retirez et mettez de côté les couvercles des batteries remplacées.
13. Déconnectez les batteries devant être remplacées.
Débranchez le câble négatif (noir) en premier, puis le câble positif (rouge). Veillez à ne pas court-circuiter les bornes.
REMARQUE: Lors de la déconnexion des câbles arrière, noter la position de la borne de la thermistance de batterie sur le montant positif. Veillez à réinstaller la borne dans la même position.

14. Remplacez la ou les batteries selon le besoin et réinstallez les câbles. Connectez le câble positif (rouge) dans un premier temps, puis le câble négatif (noir), en faisant attention à ne pas court-circuiter les bornes.
15. Réinstallez les couvercles de batterie et le support de fixation de la batterie.
16. Rentrez le plateau de batterie dans la tondeuse, juste assez pour vous permettre de reconnecter la prise de connexion rapide de la batterie.
REMARQUE: Pour obtenir un appui suffisant pour la reconnexion, il est souvent plus simple d'effectuer la connexion depuis le compartiment de batterie plutôt que depuis la zone située sous le siège.
17. Une fois les batteries reconnectées à la tondeuse, rentrez complètement le plateau de batterie dans la tondeuse.
18. Réinstallez les boulons/écrous à bride afin de sécuriser le bord extérieur du plateau de batterie. Serrez-le fermement.
19. Réinstallez le boulon à tête hexagonale afin de fixer le plateau de batterie en place. Serrez-le fermement.
20. Connectez la thermistance de la batterie.
21. Remplacez le couvercle du compartiment de batterie et réinstallez la visserie pour le sécuriser.

22. Réinstallez le couvercle de câblage et enfoncez jusqu'à ce qu'il se verrouille correctement en place, puis abaissez le siège.
REMARQUE: Lors du remplacement du couvercle de câbles, toujours veillez à ce que la connexion du câble de verrouillage de sécurité soit bien en place.

REMARQUE: Respectez toujours les avertissements de sécurité fournis avec la batterie. Mettez l'ancienne batterie au rebut conformément aux réglementations en vigueur au niveau local et national.

STOCKAGE DE L'APPAREIL

Avant de remiser le produit, procédez comme suit :

- Garez la tondeuse sur une surface plane et engagez le frein de stationnement.
- Éliminez tout amas d'herbes et de feuille sur ou autour du couvercle du moteur. Nettoyez la tondeuse en l'essuyant à l'aide d'un chiffon humide. Ne nettoyez pas le produit avec de l'eau.
- Branchez le produit pour assurer une charge pendant toute la durée de stockage.

REMARQUE: Si le chargeur ne peut être laissé connecté à la tondeuse pendant le remisage, chargez au moins une fois par mois les batteries pendant la période de remisage. Pour être optimale, la charge des batteries doit s'effectuer à une température comprise entre 0 °C et 40 °C.

- Remisez le produit dans un endroit propre et sec, inaccessible par les enfants. Ne remisez pas le produit à proximité d'appareils fonctionnant avec une flamme, tels qu'une chaudière au gaz, un sèche-linge ou un poêle.

REMARQUE: Ne laissez pas la clé de contact sur le produit pendant le stockage.

- Gardez l'appareil à l'écart des produits corrosifs tels que les produits chimiques de jardinage et le sel de déneigement.

PRÉPARATION À L'UTILISATION APRÈS LE STOCKAGE

Avant d'utiliser le produit après une période de remisage, procédez comme suit :

- Consultez le tableau d'entretien.
- Chargez complètement les batteries.
- Vérifiez la pression des pneus et gonflez si nécessaire.
- Conduisez brièvement le produit et vérifiez que l'ensemble des systèmes et composants fonctionnent correctement.

PÉRIODICITÉ D'ENTRETIEN

	Vérifiez avant chaque utilisation	Toutes les 25 heures	Toutes les 50 heures ou tous les ans	Avant le remisage	Une fois par mois pendant le remisage
Vérifiez le fonctionnement du frein	■				
Vérifiez la pression des pneus	■				
Vérifiez la goulotte de décharge et les systèmes de verrouillage de sécurité de présence de l'opérateur	■				
Vérifiez le bon serrage des attaches.	■			■	
Nettoyez les débris présents sur le produit	■			■	
Vérifiez/remplacez les lames de paillage	■	■			
Nettoyez les bornes de la batterie			■		
Chargez la batterie.	■				■

REMARQUE: La maintenance doit être effectuée plus fréquemment lorsque le produit est utilisé dans des endroits poussiéreux.

Si le produit dépasse les chiffres maximums spécifiés dans le tableau, la maintenance doit être effectuée conformément aux intervalles de temps ou d'heures indiqués.

En cas de doute quant à la manière d'effectuer une des opérations de maintenance décrites précédemment, confiez l'entretien du produit à un centre de service agréé.

ACCESSOIRES

Description	N° pièce
Lames de paillage (pour le paillage et la décharge latérale)	RAC438 (996516)

⚠ AVERTISSEMENT

Les tout derniers équipements et accessoires disponibles à utiliser avec le produit sont répertoriés ci-dessus. N'utilisez pas de pièces ou accessoires autres que ceux recommandés par le fabricant pour cet appareil. L'utilisation de pièces ou accessoires non recommandés peut entraîner des risques de blessures graves.

PIÈCES DE RECHANGE

Description	N° pièce
Couvercle de paillis	5131042540
Goulotte de décharge latérale	5131042541
Roues avant	5131042542
Roues arrière	5131042543
Batterie	5131042607

GUIDE DE DÉPANNAGE

Si ces solutions ne permettent pas de résoudre le problème, confiez-le à un centre de service agréé à des fins d'entretien.

Problème	Cause possible	Solution
La tondeuse ne démarre pas.	La charge de la batterie est faible.	Chargez la batterie.
	Le chargeur est connecté au produit.	Déconnectez le chargeur du produit.
	La clé de contact n'est pas installée ou se trouve en position d'arrêt.	Insérez la clé de contact et la mettez en position de marche.
	Mauvaise connexion des câbles de batterie	Vérifiez et nettoyez l'ensemble des connexions de batterie.
Le produit reste immobile.	La clé de contact n'est pas installée ou se trouve en position d'arrêt.	Insérez la clé de contact et la mettez en position de marche.
	Le frein de stationnement est serré.	Desserrez le frein de stationnement.
	La commande de direction est au point mort (N).	Placez la commande de direction dans le sens désiré (marche avant ou marche arrière).
	La pédale de frein est enfoncée et/ou la pédale de l'accélérateur n'est pas enfoncée.	Relâchez la pédale de frein et appuyez sur la pédale de l'accélérateur.
	L'opérateur n'est pas bien assis.	Bien s'asseoir sur le siège, remettez les leviers de conduite au point mort et réessayez.
La tonte se fait de façon inégale.	La pression de gonflage des pneus est irrégulière.	Vérifiez la pression de gonflage des quatre pneus.
	Le carter de coupe n'est pas nivelé.	Ajustez l'assiette du carter de coupe.
	La lame est usée, tordue, desserrée ou émoussée.	Remplacez la lame.
	Un amas de débris est présent sous le produit.	Nettoyez le dessous du carter de coupe.
	La vitesse de tonte est trop élevée.	Tondez plus lentement.
Le paillage se fait mal.	De l'herbe humide coupée s'est agglutinée sous le carter.	Attendez que l'herbe ait séché avant de la tondez.
	L'herbe est trop haute.	Tondez une première fois à une hauteur de coupe élevée, puis une deuxième fois à la hauteur souhaitée.
	La lame est usée, tordue, desserrée ou émoussée.	Remplacez la lame.
	La vitesse de tonte est trop élevée.	Tondez plus lentement.
La tondeuse vibre à haut régime.	La lame est déséquilibrée, desserrée, très usée ou usée de façon irrégulière.	Remplacez la lame.
	L'arbre moteur est tordu.	Arrêtez le moteur et retirez la clé de contact. Inspectez minutieusement le produit afin de vérifier qu'il n'est pas endommagé. Confiez l'entretien du produit à un centre d'entretien agréé avant de redémarrer.

EN
FR
DE
DA
SV
FI
NO



Décharge d'herbe médiocre.	La goulotte de décharge latérale ou l'ouverture est bouchée/obstruée.	Nettoyez la goulotte de décharge latérale et l'ouverture.
	L'herbe est mouillée.	Laissez l'herbe sécher avant de tondez.
	La vitesse de tonte est trop élevée.	Tondez plus lentement.
	L'herbe est trop haute.	Tondez une première fois à une hauteur de coupe élevée, puis une deuxième fois à la hauteur souhaitée.
Le moteur s'arrête en cours de tonte.	La hauteur de coupe est réglée trop bas.	Augmentez la hauteur de coupe.
	La charge de la batterie est faible.	Chargez la batterie.
Les lames ne tournent pas.	La charge de la batterie est faible.	Chargez la batterie.
	La commande de verrouillage de décharge latérale n'est pas activée par la goulotte de décharge latérale.	Appuyez sur la goulotte de décharge latérale et s'assurer qu'elle appuie bien sur le contacteur de verrouillage de décharge latérale.
	Le bouton d'activation des lames est enfoncé.	Tirez sur le bouton d'activation des lames.
	L'opérateur n'est pas bien assis.	Bien s'asseoir sur le siège.
	Un amas de débris est présent sous la tondeuse.	Nettoyez le dessous du carter de coupe.
Les lames ne tournent pas lors d'une tonte en marche arrière.	Le mode de fonctionnement en marche arrière est désactivé.	Appuyez sur le bouton de marche arrière pour activer la marche arrière.
	Le bouton d'activation des lames est enfoncé.	Tirez sur le bouton d'activation des lames.
Le produit n'atteint pas sa vitesse maximale.	La charge de la batterie est faible.	Chargez la batterie.
Les lames continuent à tourner alors que l'opérateur a quitté son siège sans serrez le frein de stationnement.	Le système de verrouillage de sécurité ne fonctionne pas correctement.	Assurez-vous que la fiche du siège du système de verrouillage de sécurité est bien connectée. Si les lames ne s'arrêtent pas, confiez l'entretien du produit à un centre de service agréé.
Les phares ne fonctionnent pas.	Les phares sont éteints.	Appuyez sur le bouton des phares pour allumer les phares.
	Les phares sont endommagés.	Remplacez les phares.
La batterie ne charge pas.	Les cellules des batteries sont endommagées.	Changez la batterie.
	Les connexions de câble sont défectueuses.	Vérifiez et nettoyez l'ensemble des connexions de batterie.



QUESTIONS FRÉQUEMMENT POSÉES

EN
FR
DE
DA
SV
FI
NO

- La tondeuse doit-elle restée branchée au chargeur lorsqu'elle n'est pas utilisée ?
 - Oui, chargez la tondeuse en continu lorsqu'elle n'est pas utilisée.
- Quelle est la pression de gonflage recommandée pour les pneus et à quelle fréquence dois-je vérifiez la pression des pneus ?
 - Pour des performances optimales, la pression des pneus doit être de 1,6 bar. Vérifiez la pression de gonflage des pneus avant chaque utilisation.
- Pour quelle raison les lames pourraient-elles s'arrêter en cours d'utilisation ?
 - Vérifiez l'indicateur de niveau de la batterie. Le moteur du carter de coupe s'arrête lorsque l'alimentation de la batterie est faible, afin de laissez à l'opérateur suffisamment de temps pour retourner au poste de charge. Revenez immédiatement au point de charge et chargez la batterie.
 - Si la charge de la batterie n'est pas faible, ralentissez ou rehaussez le niveau du carter de coupe. Les applications à charge élevée peuvent également provoquer l'arrêt de l'un ou l'autre des moteurs du carter de coupe.
 - Vérifiez que la goulotte de décharge latérale est correctement fermée. Appuyez sur la goulotte de décharge latérale et s'assurer qu'elle appuie bien sur le contacteur de verrouillage de décharge latérale.
- Lors de la descente d'une pente en roue libre, pourquoi est-ce que la tondeuse accélère par moments et pas à d'autres ?
 - Pour votre sécurité et afin d'assurer des performances optimales, la tondeuse est conçue pour limiter automatiquement sa vitesse lors d'un déplacement en pente. Ceci pourrait entraîner des fluctuations de vitesse.
- Pourquoi la tondeuse émet-elle un avertissement sonore lorsque je conduis en marche arrière ?
 - Pour alerter toute personne se trouvant à proximité de la zone de tonte.
- Lors de l'utilisation de la tondeuse, comment immobilisez complètement la tondeuse ?
 - Pour arrêter la tondeuse, appuyez sur la pédale de frein sur le côté gauche de l'opérateur. Ce produit n'est pas doté d'un dispositif d'entraînement hydrostatique.
- Pourquoi la tondeuse émet-elle un avertissement sonore lorsque je quitte le siège ?
 - Le frein de stationnement n'a pas été serré ou la clé de contact se trouve encore en position de marche. Retirez toujours la clé lorsque la tondeuse n'est pas utilisée.
- Quand dois-je utiliser le frein de stationnement ?
 - Engagez toujours le frein de stationnement avant de descendre de la tondeuse.
- Est-il possible de rincer le carter de coupe avec un tuyau d'arrosage de jardin ?
 - Ne nettoyez pas le produit avec de l'eau. Nettoyez-le avec une souffeuse ou de l'air comprimé.

Sicherheit, Leistung und Zuverlässigkeit hatten oberste Priorität bei der Entwicklung Ihres Aufsitzmähers.

BESTIMMUNGSGEMÄSSE VERWENDUNG

Der Aufsitzmäher ist ausschließlich zur Nutzung im Freien geeignet.

Dieses Produkt ist zum Rasenmähen im häuslichen Bereich vorgesehen. Das Messer dreht sich ungefähr parallel zum Boden, über den es sich bewegt. Alle vier Räder müssen beim Mähen den Boden berühren.

Das Produkt ist nur zur Anwendung im Haushalt durch Erwachsene vorgesehen, die angemessen über die Gefahren und die bei der Bedienung des Geräts durchzuführenden Präventionsmaßnahmen/-handlungen informiert wurden.

Es darf zu keinen anderen Zwecken verwendet werden.

ALLGEMEINE SICHERHEITSWARNUNGEN

⚠️ WARNUNG

Lesen Sie aufmerksam alle mit diesem Werkzeug gelieferten Warnungen, Anweisungen und Spezifikationen, beziehen Sie sich auf die Illustrationen. Die Nichtbeachtung der weiter unten aufgeführten Anweisungen kann Unfälle wie Brände, Elektroschocks und/oder schwere Körperverletzungen zur Folge haben.

Bewahren Sie alle Sicherheitshinweise und Anweisungen für die Zukunft auf.

Der in den Sicherheitshinweisen verwendete Begriff „Elektrowerkzeug“ bezieht sich auf netzbetriebene Elektrowerkzeuge (mit Netzleitung) oder auf akkubetriebene Elektrowerkzeuge (ohne Netzleitung).

ARBEITSPLATZSICHERHEIT

- **Halten Sie Ihren Arbeitsbereich sauber und gut beleuchtet.** Unordnung oder unbeleuchtete Arbeitsbereiche können zu Unfällen führen.
- **Arbeiten Sie mit dem Elektrowerkzeug nicht in explosionsgefährdeter Umgebung, in der sich brennbare Flüssigkeiten, Gase oder Stäube befinden.** Elektrowerkzeuge erzeugen

Funken, die den Staub oder die Dämpfe entzünden können.

- **Halten Sie Kinder und andere Personen während der Benutzung des Elektrowerkzeugs fern.** Bei Ablenkung können Sie die Kontrolle über das Gerät verlieren.

ELEKTRISCHE SICHERHEIT

- **Der Anschlussstecker des Elektrowerkzeugs muss in die Steckdose passen. Der Stecker darf in keiner Weise verändert werden. Verwenden Sie keine Adapterstecker gemeinsam mit schutzgeerdeten Elektrowerkzeugen.** Unveränderte Stecker und passende Steckdosen verringern das Risiko eines elektrischen Schlages.
- **Vermeiden Sie Körperkontakt mit geerdeten Oberflächen wie von Rohren, Heizungen, Herden und Kühlschränken.** Es besteht ein erhöhtes Risiko durch elektrischen Schlag, wenn Ihr Körper geerdet ist.
- **Halten Sie Elektrowerkzeuge von Regen oder Nässe fern.** Das Eindringen von Wasser in ein Elektrowerkzeug erhöht das Risiko eines elektrischen Schlages.
- **Zweckentfremden Sie die Anschlussleitung nicht, um das Elektrowerkzeug zu tragen, aufzuhängen oder um den Stecker aus der Steckdose zu ziehen. Halten Sie die Anschlussleitung fern von Hitze, Öl, scharfen Kanten oder sich bewegenden Geräteteilen.** Beschädigte oder verwickelte Anschlussleitungen erhöhen das Risiko eines elektrischen Schlages.
- **Wenn Sie mit einem Elektrowerkzeug im Freien arbeiten, verwenden Sie nur Verlängerungsleitungen, die auch für den Außenbereich geeignet sind.** Die Anwendung einer für den Außenbereich geeigneten Verlängerungsleitung verringert das Risiko eines elektrischen Schlages.
- **Wenn der Betrieb des Elektrowerkzeugs in feuchter Umgebung nicht vermeidbar ist, verwenden Sie einen Fehlerstromschutzschalter.** Der Einsatz eines Fehlerstromschutzschalters vermindert das Risiko eines elektrischen Schlages.

SICHERHEIT VON PERSONEN

- **Seien Sie aufmerksam, achten Sie darauf, was Sie tun, und gehen Sie mit Vernunft an die Arbeit mit einem Elektrowerkzeug. Benutzen Sie kein Elektrowerkzeug, wenn Sie müde sind oder unter dem Einfluss von Drogen, Alkohol oder Medikamenten stehen.** Ein Moment der Unachtsamkeit beim Gebrauch des Elektrowerkzeugs kann zu ernsthaften Verletzungen führen.
- **Tragen Sie persönliche Schutzausrüstung und immer eine Schutzbrille.** Das Tragen persönlicher Schutzausrüstung, wie Staubmaske, rutschfeste Sicherheitsschuhe, Schutzhelm oder Gehörschutz, je nach Art und Einsatz des Elektrowerkzeugs, verringert das Risiko von Verletzungen.
- **Vermeiden Sie eine unbeabsichtigte Inbetriebnahme. Vergewissern Sie sich, dass das Elektrowerkzeug ausgeschaltet ist, bevor Sie es an die Stromversorgung und/oder den Akku anschließen, es aufnehmen oder tragen.** Wenn Sie beim Tragen des Elektrowerkzeugs den Finger am Schalter haben oder das Gerät eingeschaltet an die Stromversorgung anschließen, kann dies zu Unfällen führen.
- **Entfernen Sie Einstellwerkzeuge oder Schraubenschlüssel, bevor Sie das Elektrowerkzeug einschalten.** Ein Werkzeug oder Schlüssel, der sich in einem drehenden Teil des Elektrowerkzeugs befindet, kann zu Verletzungen führen.
- **Vermeiden Sie eine abnormale Körperhaltung. Sorgen Sie für einen sicheren Stand und halten Sie jederzeit das Gleichgewicht.** Dadurch können Sie das Elektrowerkzeug in unerwarteten Situationen besser kontrollieren.
- **Tragen Sie geeignete Kleidung. Tragen Sie keine weite Kleidung oder Schmuck. Halten Sie Haare und Kleidung fern von sich bewegenden Teilen.** Lockere Kleidung, Schmuck oder lange Haare können von sich bewegenden Teilen erfasst werden.
- **Wenn Staubabsaug- und -auffangeinrichtungen montiert werden können, sind diese anzuschließen und richtig zu verwenden.** Verwendung einer Staubabsaugung kann Gefährdungen durch Staub verringern.

- **Wiegen Sie sich nicht in falscher Sicherheit und setzen Sie sich nicht über die Sicherheitsregeln für Elektrowerkzeuge hinweg, auch wenn sie nach vielfachem Gebrauch mit dem Elektrowerkzeug vertraut sind.** Achtloses Handeln kann binnen Sekundenbruchteilen zu schweren Verletzungen führen.

VERWENDUNG UND BEHANDLUNG DES ELEKTROWERKZEUGS

- **Überlasten Sie das Gerät nicht. Verwenden Sie für Ihre Arbeit das dafür bestimmte Elektrowerkzeug.** Mit dem passenden Elektrowerkzeug arbeiten Sie besser und sicherer im angegebenen Leistungsbereich.
- **Benutzen Sie kein Elektrowerkzeug, dessen Schalter defekt ist.** Ein Elektrowerkzeug, das sich nicht mehr ein- oder ausschalten lässt, ist gefährlich und muss repariert werden.
- **Ziehen Sie den Stecker aus der Steckdose und/oder entfernen Sie einen abnehmbaren Akku, bevor Sie Geräteeinstellungen vornehmen, Einsatzwerkzeuge wechseln oder das Gerät weglegen.** Diese Vorsichtsmaßnahme verhindert den unbeabsichtigten Start des Elektrowerkzeugs.
- **Bewahren Sie unbenutzte Elektrowerkzeuge außerhalb der Reichweite von Kindern auf. Lassen Sie keine Personen das Elektrowerkzeug benutzen, die mit diesem nicht vertraut sind oder diese Anweisungen nicht gelesen haben.** Elektrowerkzeuge sind gefährlich, wenn Sie von unerfahrenen Personen benutzt werden.
- **Pflegen Sie Elektrowerkzeuge und Einsatzwerkzeug mit Sorgfalt. Kontrollieren Sie, ob bewegliche Teile einwandfrei funktionieren und nicht klemmen, ob Teile gebrochen oder so beschädigt sind, dass die Funktion des Elektrowerkzeugs beeinträchtigt ist. Lassen Sie beschädigte Teile vor dem Einsatz des Gerätes reparieren.** Viele Unfälle haben ihre Ursache in schlecht gewarteten Elektrowerkzeugen.
- **Halten Sie Schneidwerkzeuge scharf und sauber. Sorgfältig gepflegte Schneidwerkzeuge mit scharfen**

Schneidkanten verklemmen sich weniger und sind leichter zu führen.

- **Verwenden Sie Elektrowerkzeug, Zubehör, Einsatzwerkzeuge usw. entsprechend diesen Anweisungen. Berücksichtigen Sie dabei die Arbeitsbedingungen und die auszuführende Tätigkeit.** Der Gebrauch von Elektrowerkzeugen für andere als die vorgesehenen Anwendungen kann zu gefährlichen Situationen führen.
- **Halten Sie Griffe und Griffflächen trocken, sauber und frei von Öl und Fett.** Rutschige Griffe und Griffflächen erlauben keine sichere Bedienung und Kontrolle des Elektrowerkzeugs in unvorhergesehenen Situationen.

VERWENDUNG UND BEHANDLUNG VON AKKUWERKZEUGEN

- **Laden Sie die Akkus nur mit Ladegeräten auf, die vom Hersteller empfohlen werden.** Durch ein Ladegerät, das für eine bestimmte Art von Akkus geeignet ist, besteht Brandgefahr, wenn es mit anderen Akkus verwendet wird.
- **Verwenden Sie nur die dafür vorgesehenen Akkus in den Elektrowerkzeugen.** Der Gebrauch von anderen Akkus kann zu Verletzungen und Brandgefahr führen.
- **Halten Sie den nicht benutzten Akku fern von Büroklammern, Münzen, Schlüsseln, Nägeln, Schrauben oder anderen kleinen Metallgegenständen, die eine Überbrückung der Kontakte verursachen könnten.** Ein Kurzschluss zwischen den Akkukontakten kann Verbrennungen oder Feuer zur Folge haben.
- **Bei falscher Anwendung kann Flüssigkeit aus dem Akku austreten. Vermeiden Sie den Kontakt damit. Bei zufälligem Kontakt mit Wasser abspülen. Wenn die Flüssigkeit in die Augen kommt, nehmen Sie zusätzlich ärztliche Hilfe in Anspruch.** Austretende Akkuflüssigkeit kann zu Hautreizungen oder Verbrennungen führen.
- **Benutzen Sie keinen beschädigten oder veränderten Akku.** Beschädigte oder veränderte Akkus können sich unvorhersehbar verhalten und zu Feuer, Explosion oder Verletzungsgefahr führen.

- **Setzen Sie einen Akku keinem Feuer oder zu hohen Temperaturen aus.** Feuer oder Temperaturen über 130°C können eine Explosion hervorrufen.
- **Befolgen Sie alle Anweisungen zum Laden und laden Sie den Akku oder das Akkuwerkzeug niemals außerhalb des in der Betriebsanleitung angegebenen Temperaturbereichs.** Falsches Laden oder Laden außerhalb des zugelassenen Temperaturbereichs kann den Akku zerstören und die Brandgefahr erhöhen.

SERVICE

- **Lassen Sie Ihr Elektrowerkzeug nur von qualifiziertem Fachpersonal und nur mit Original-Ersatzteilen reparieren.** Damit wird sichergestellt, dass die Sicherheit des Gerätes erhalten bleibt.
- **Warten Sie niemals beschädigte Akkus.** Sämtliche Wartung von Akkus sollte nur durch den Hersteller oder bevollmächtigte Kundendienststellen erfolgen.

SICHERHEITSHINWEISE FÜR AUFSITZMÄHER

UNTERWEISUNG

- Die Sicherheitsregeln müssen befolgt werden, wenn dieses Produkt benutzt wird. Lesen Sie für Ihre eigene Sicherheit und die von Außenstehenden diese Anweisungen, bevor Sie das Produkt benutzen. Bitte bewahren Sie die Anweisungen zum späteren Nachschlagen auf.
- Erlauben Sie nur verantwortungsbewussten Erwachsenen, die mit den Anweisungen vertraut sind und diese verstehen, das Produkt zu verwenden.
- Seien Sie vertraut mit den Stellteilen und der ordnungsgemäßen Verwendung der Maschine.
- Verwenden Sie immer Schutzvorrichtungen. Verwenden Sie das Produkt nicht, wenn der seitliche Auswurfschacht nicht angebracht ist und ordnungsgemäß funktioniert. Die Mulchabdeckung sollte während des Mulchvorgangs korrekt installiert sein und ordnungsgemäß funktionieren.
- Seien Sie sich möglicher Gefahren bewusst, wenn Sie das Produkt nicht verwenden oder Zubehörteile wechseln.



Durch Befolgung dieser Anweisung wird das Risiko von Bränden, elektrischen Schlägen und Körperverletzungen verringert.

- Transportieren Sie niemals Personen oder Kinder, auch wenn die Messer nicht in Betrieb sind. Sie können herunterfallen und schwer verletzt werden oder den sicheren Betrieb des Produkts beeinträchtigen. Kinder, die in der Vergangenheit mitgefahren sind, können plötzlich im Mähbereich für eine weitere Fahrt erscheinen und vom Produkt überfahren oder umgestoßen werden.
- Vergessen Sie nie, dass der Benutzer verantwortlich ist für Unfälle und Gefahren, die an Eigentum Fremder oder an anderen Personen entstehen könnte.
- Lassen Sie niemals Kinder oder Personen mit verminderten physischen, geistigen oder sensorischen Fähigkeiten oder Personen, die mit diesen Anweisungen nicht vertraut sind das Produkt bedienen, reinigen oder warten. Die lokale Gesetzgebung regelt das Mindestalter des Benutzers. Kinder müssen ausreichend beaufsichtigt werden, so dass gewährleistet ist, dass sie nicht mit dem Produkt spielen.
- Befolgen Sie alle Anweisungen des Herstellers zur Installation und zum sicheren Betrieb des Rasenmähers. Benutzen Sie nur geeignete und zugelassene Ersatzteile. Die Verwendung von anderem Zubehör kann das Verletzungsrisiko erhöhen.
- Beeinträchtigen Sie niemals die vorgesehene Funktion einer Sicherheitseinrichtung und beeinträchtigen Sie nicht den durch eine Sicherheitseinrichtung gebotenen Schutz. Überprüfen Sie regelmäßig den ordnungsgemäßen Betrieb der Sicherheitsvorrichtungen.
- Manipulieren Sie niemals Sicherheitsvorrichtungen. Überprüfen Sie regelmäßig den ordnungsgemäßen Betrieb der Sicherheitsvorrichtungen.
- Benutzen Sie das Produkt niemals während Menschen, besonders Kinder, oder Tiere sich im Umkreis von 15 m befinden, weil die Gefahr besteht, dass Gegenstände von dem Messer geschleudert werden könnten.
- Benutzen Sie das Produkt nicht, wenn die Gefahr von Blitzschlag besteht.

- Arbeiten Sie nicht mit dem Gerät bei schlechter Beleuchtung. Der Benutzer braucht einen ungehinderten Blick auf den Arbeitsbereich, um mögliche Gefahren zu erkennen.
- Halten Sie Hände und Füße vom Schneidbereich fern, der sich unter dem Mähwerk und im seitlichen Auswurfkanal befindet. Halten Sie sich zu jeder Zeit von der Öffnung des seitlichen Auswurfkanal fern. Nicht unter das Mähwerk greifen.
- Befolgen Sie die Anweisungen zum Austausch von Zubehörteilen.

VORBEREITUNG

- Tragen Sie eine schwere, lange Hose, lange Ärmel und robuste, rutschfeste Schuhe. Tragen Sie keine kurzen Hosen und Sandalen und gehen Sie nicht barfuß. Vermeiden Sie lockere Kleidung oder Kleidung mit Schnüren oder Bändern zu tragen.
- Tragen Sie eine Schutz- oder Sicherheitsbrille mit Seitenschutz. Benutzen Sie bei Staub eine Gesichtsmaske.
- Von den Messern getroffene Gegenstände können Personen schwer verletzen. Untersuchen Sie den Bereich, in dem die Maschine verwendet werden soll, genau und entfernen Sie alle Steine, Stöcke, Metall, Draht, Knochen, Spielzeug oder andere fremde Objekte. Denken Sie daran, dass sich Fäden und Drähte an den Messern verfangen können.
- Überprüfen Sie das Produkt vor dem Gebrauch immer visuell, um sicherzustellen, dass die Messer, Messermuttern und die Schneidbaugruppe nicht abgenutzt oder beschädigt sind.
- Ersetzen Sie abgenutzte oder beschädigte Messer und Muttern in Sets, um Unwucht zu vermeiden.
- Ersetzen Sie abgenutzte oder beschädigte Teile, bevor Sie das Produkt in Betrieb nehmen.
- Werfen Sie das Material niemals in Richtung von Personen aus. Planen Sie den Mähweg, um zu vermeiden, dass Material in Richtung Personen, Straßen, Gehwege, Fenster und Autos ausgeworfen wird. Vermeiden Sie ebenso das Material gegen eine Wand auszuwerfen, es könnte gegen den Benutzer geschleudert werden.

EN

FR

DE

DA

SV

FI

NO



VERWENDUNG

- Das Produkt darf erst gestartet werden, wenn der Benutzer ordnungsgemäß sitzt und sich hinter dem Lenkrad befindet. Starten Sie das Produkt niemals, wenn:
 - Nicht alle vier Räder auf dem Boden stehen.
 - Der seitliche Auswurfkanal freiliegt und nicht durch die Mulchabdeckung geschützt ist.
 - Hände und Füße aller Personen nicht fern von dem Schneidgehäuse sind.
- Schalten Sie die Messer aus, wenn das Produkt nicht verwendet wird.
- Verwenden Sie das Produkt niemals in geschlossenen Räumen.
- Stoppen Sie die Messer, wenn Sie Kiesflächen überqueren, um das Aufwirbeln von Kies und Steinen zu vermeiden. Fahren Sie das Produkt langsam und vorsichtig, um einen Kontrollverlust zu vermeiden.
- Schalten Sie das Produkt vorsichtig gemäß der Anleitung ein und halten Sie die Hände und Füße von den Messern fern. Bewegen Sie Ihre Hände oder Füße nicht in die Nähe von rotierenden Teilen oder unter diese.
- Mähen Sie nicht rückwärts, es sei denn, dies ist unbedingt erforderlich. Schauen Sie vor und während des Rückwärtsfahrens immer nach unten und hinten.
- Achten Sie vor und während des Rückwärtsfahrens auf kleine Kinder, umstehende Personen und Haustiere.
- Seien Sie besonders vorsichtig, wenn Sie sich nicht einsehbaren Ecken, Gebüsch, Bäumen oder anderen Objekten nähern, einschließlich überhängendem Gesträuch, das Ihre Sicht versperren kann.
- Vor dem Wenden langsamer fahren.
- Steigungen sind ein wichtiger Faktor im Zusammenhang mit Kontrollverlust und Sturzunfällen, die zu schweren oder tödlichen Verletzungen führen können. Wenn Sie bei Gefällen Rasen mähen ist Vorsicht geboten. Wenn Sie den Hang nicht hinunterfahren können oder sich unwohl fühlen, mähen Sie die Fläche nicht. Verwenden Sie das Produkt niemals an steilen Hängen mit mehr als 15° Gefälle. Erstellen Sie eine Kopie oder schneiden Sie die "Hangführung" am Ende dieses

Handbuchs aus, um festzustellen, ob Ihr Hang für einen sicheren Betrieb zu steil ist.

- Versuchen Sie niemals, auf einem steilen Hang zu fahren oder einen Hang zu mähen, der eine Steigung von mehr als 15° aufweist.
- Auf und ab mähen; nicht quer über den Hang.
- Vermeiden Sie Löcher, Furchen, Unebenheiten, Steine oder sonstige versteckte Objekte. Auf unebenem Gelände kann das Produkt umkippen. Hohes Gras kann Hindernisse bergen.
- Fahren Sie langsam, damit Sie am Hang nicht plötzlich anhalten oder versehentlich beschleunigen müssen.
- Mähen Sie am Hang kein nasses Gras. Reifen verlieren möglicherweise die Traktion und Sie verlieren möglicherweise die Kontrolle.
- Halten Sie den Fahrtrichtungsschalter immer in der vorderen Position, wenn Sie Gefälle hinunterfahren. Schalten Sie nicht in den Leerlauf und rollen Sie bergab. Andernfalls verlieren Sie möglicherweise die Kontrolle über das Produkt.
- Vermeiden Sie das Starten, Stoppen oder Wenden am Hang. Wenn die Reifen die Traktion verlieren, stoppen Sie die Messer und fahren Sie langsam geradeaus den Hang hinunter.
- Machen Sie alle Bewegungen an Hängen langsam und schrittweise. Nehmen Sie keine plötzlichen Geschwindigkeits- oder Richtungsänderungen vor, da dies zum Umkippen des Produkts führen kann.
- Seien Sie besonders vorsichtig, wenn Sie das Produkt mit Aufsätzen verwenden. Sie können die Stabilität des Produkts beeinträchtigen. Nicht an steilen Hängen mit mehr als 15° Gefälle verwenden.
- Versuchen Sie nicht, das Produkt zu stabilisieren, indem Sie Ihren Fuß auf den Boden stellen.

- Verwenden Sie den Aufsitzmäher nicht am Rand von Abhängen, Gräben, übermäßigen Steigungen oder Böschungen. Das Produkt kann plötzlich umkippen, wenn ein Rad über eine Kante fährt oder wenn die Kanten nachgeben. Dies kann zum Tod oder zu schweren Verletzungen führen.
- Lassen Sie das Produkt nicht unbeaufsichtigt in Betrieb. Schalten Sie immer die Messer aus, rasten Sie die Feststellbremse ein, stoppen Sie den Motor und ziehen Sie den Startschlüssel ab, bevor Sie absteigen.
- Achten Sie auf den Verkehr, wenn Sie in der Nähe von Straßen arbeiten. Betreiben Sie den Mäher nicht auf Straßen.

ZUSÄTZLICHE SICHERHEITSHINWEISE ZUM LADEGERÄT

- Das Produkt ist nur für den Gebrauch im Innenbereich vorgesehen.
- Versuchen Sie niemals, nicht wiederaufladbare Batterien aufzuladen.
- Überprüfen Sie das Netzkabel vor jeder Benutzung auf Schäden. Es muss von einer qualifizierten Person in einem autorisierten Kundendienst ausgetauscht werden, wenn Beschädigungen sichtbar sind, damit eine Gefahr vermieden wird.
- Laden Sie das Gerät in einem Innenraum an einem gut belüfteten Ort auf. Laden Sie das Gerät nicht in einem engen Raum auf.
- Das Ladegerät ist mit einem Stecker mit Erdungsstift ausgestattet und muss an eine passende Steckdose angeschlossen werden, die gemäß den örtlichen Vorschriften und Verordnungen ordnungsgemäß installiert und geerdet wurde. Verwenden Sie keine Adapter und modifizieren Sie den mitgelieferten Stecker nicht. Falls der Stecker nicht zu der Steckdose passt, lassen Sie durch einen qualifizierten Elektriker eine ordnungsgemäße Steckdose installieren.

WEITERE SICHERHEITSHINWEISE ZUM AKKU

⚠️ WARNUNG

Um die durch einen Kurzschluss verursachte Gefahr eines Brandes, von Verletzungen oder Produktbeschädigungen zu vermeiden, tauchen Sie das Werkzeug, den Wechselakku oder das Ladegerät nicht in Flüssigkeiten ein und sorgen Sie dafür, dass keine Flüssigkeiten in die Geräte und Akkus eindringen. Korrodierende oder leitfähige Flüssigkeiten, wie Salzwasser, bestimmte Chemikalien und Bleichmittel oder Produkte, die Bleichmittel enthalten, können einen Kurzschluss verursachen.

⚠️ WARNUNG

Brand-, Explosions- oder Verbrennungsgefahr. Zerlegen Sie den Akku nicht, setzen Sie ihn keiner Hitze über 60 °C aus und verbrennen Sie ihn nicht.

- Der Akku-Pack enthält Säure. Wenn Säure mit Haut oder Kleidung in Berührung kommt, sofort 10 Minuten lang mit Wasser spülen. Sollte Flüssigkeit in die Augen gelangen, suchen Sie darüber hinaus einen Arzt auf.
- Laden Sie keine Akkus auf, die Zeichen aufweisen, dass Elektrolyt-Flüssigkeit ausgelaufen ist. Entsorgen Sie sie ordnungsgemäß.

AKKUENTSORGUNGUNDVORBEREITUNG ZUR WIEDERVERWERTUNG

Zur Erhaltung natürlicher Ressourcen recyceln Sie Akkus bitte bzw. entsorgen Sie sie ordnungsgemäß.

Das Produkt enthält Blei-Säure-Batterien. Gemäß der örtlichen Vorschriften kann die Entsorgung von Blei-Säure-Batterien im normalen Hausmüll verboten sein. Befragen Sie Ihre örtliche Abfallentsorgung nach Information über mögliche Wiederverwertung und/oder Entsorgung.

⚠️ WARNUNG

Decken Sie die Pole des Akkupacks nach der Entnahme mit strapazierfähigem Klebeband ab. Versuchen Sie nicht, den Akku zu zerstören oder zu zerlegen oder einzelne Teile zu entfernen. Blei-Säure-Batterien müssen recycelt oder ordnungsgemäß entsorgt werden. Berühren Sie außerdem niemals die beiden Pole mit Metallobjekten und/oder Körperteilen, da dies zu einem Kurzschluss führen kann. Von Kindern fernhalten. Eine Nichtbeachtung dieser Warnungen kann Feuer und/oder schwere Verletzungen verursachen!

TRANSPORT UND LAGERUNG

- Schalten Sie das Produkt aus, ziehen Sie die Feststellbremse an und ziehen Sie den Startschlüssel ab. Stellen Sie sicher, dass alle bewegliche Teile vollständig angehalten sind. Lassen Sie das Produkt ausreichend abkühlen, bevor Sie es lagern oder transportieren.
- Entfernen Sie alle Fremdkörper vom Produkt. Lagern Sie das Produkt an einem kühlen, trockenen und gut belüfteten Ort, der Kindern keinen Zugang bietet. Der Startschlüssel sollte auch entfernt und an einem für Kinder unzugänglichen Ort aufbewahrt werden.
- Halten Sie das Produkt von ätzenden Mitteln wie Gartenchemikalien und Streusalz fern. Lagern Sie das Gerät nicht im Freien.
- Gehen Sie beim Laden oder Entladen des Produkts auf einen Anhänger oder LKW besonders vorsichtig vor. Treten Sie nach Bedarf auf das Bremspedal, um die Geschwindigkeit zu regeln. Das Produkt rollt frei, wenn es auf einer geneigten Fläche bewegt wird, ohne auf das Bremspedal zu treten oder die Feststellbremse zu betätigen. Überschreiten Sie beim Laden oder Entladen des Produkts nicht den empfohlenen maximalen Betriebswinkel von 15°.

⚠️ WARNUNG

Seien Sie extrem vorsichtig, wenn Sie die Maschine zur Wartung, Reinigung oder den Transport anheben oder kippen. Die Messer sind scharf. Halten Sie alle Körperteile von dem Messer fern, während das Messer frei liegt.

TRANSPORT VON BLEIAKKUS

Transportieren Sie Akkus gemäß Ihren örtlichen und nationalen Bestimmungen und Regeln.

Befolgen Sie alle besonderen Anforderungen für Verpackung und Beschriftung, wenn Sie Akkus von Dritten transportieren lassen. Stellen Sie sicher, dass beim Transport kein Akku in Kontakt mit anderen Akkus oder leitenden Materialien kommt, indem Sie die freien Anschlüsse mit Isolierband, nichtleitenden Kappen oder Klebeband schützen. Beschädigte oder auslaufende Akkus dürfen nicht transportiert werden. Weitere Informationen erhalten Sie bei Ihrem Transportunternehmen.

SICHERHEITSHINWEISE ZUM ZIEHEN VON LASTEN

⚠️ WARNUNG

Gehen Sie beim Abschleppen äußerst vorsichtig vor. Die Messer sind scharf. Halten Sie alle Körperteile von dem Messer fern, während das Messer frei liegt.

- Verwenden Sie beim Ziehen gesunden Menschenverstand. Eine zu schwere Last am Hang ist gefährlich. Reifen können die Bodenhaftung verlieren und dazu führen, dass Sie die Kontrolle über das Produkt verlieren.
- Befolgen Sie die Empfehlungen des Herstellers für Radgewichte oder Gegengewichte.
- Das Gesamtgewicht des Anhängers darf die maximale Anhängelast von 226,8 kg (500 lbs.) nicht überschreiten.
- Anhängervorrichtung nur an der Anhängelplatte befestigen.
- Lassen Sie niemals Kinder oder andere Personen auf die Anhängervorrichtung.

- Der Bremsweg erhöht sich mit der Geschwindigkeit und dem Gewicht der gezogenen Last. Fahren Sie langsam und lassen Sie zusätzliche Zeit und Distanz zum Stoppen.
- Beim Ziehen nicht scharf wenden. Seien Sie besonders vorsichtig, wenn Sie wenden oder unter widrigen Oberflächenbedingungen arbeiten. Seien Sie vorsichtig, wenn Sie rückwärts arbeiten.
- Schalten Sie das Produkt aus, ziehen Sie die Feststellbremse an und ziehen Sie den Startschlüssel ab. Stellen Sie sicher, dass alle bewegliche Teile vollständig angehalten sind:
 - bevor Sie das Produkt unbeaufsichtigt lassen (einschließlich der Entsorgung von Grasschnitt).
 - bevor Sie eine Blockierung lösen oder den Auswurfkanal leeren
 - bevor Sie das Produkt prüfen, reinigen oder daran arbeiten
 - bevor Sie die Mulchabdeckung entfernen
 - vor dem Öffnen der Abdeckung des Grasauswurfkanals
 - nachdem ein Fremdkörper getroffen wurde
 - Untersuchen Sie die Maschine gründlich auf Schäden.
 - Ersetzen Sie das Messer, wenn es auf irgend eine Weise beschädigt ist.
 - Reparieren Sie den entstandenen Schaden bevor Sie den Rasenmäher wieder starten.
 - Wenn die Maschine anfängt, ungewöhnlich zu vibrieren, (sofort überprüfen):
 - Überprüfen Sie auf Schäden, besonders das Messer.
 - Ersetzen Sie das Messer, wenn es auf irgend eine Weise beschädigt ist.
 - ersetzen oder reparieren Sie beschädigte Teile
 - überprüfen Sie ob Teile locker sind und ziehen sie fest, wenn erforderlich

WARTUNG UND PFLEGE

⚠ WARNUNG

Verwenden Sie ausschließlich original Ersatzteile, Zubehör und Aufsätze des Herstellers. Nichtbefolgung kann mögliche Verletzungen oder schlechte Leistung verursachen und Ihre Garantie ungültig machen.

⚠ WARNUNG

Service und Wartung des Gerätes erfordert besondere Sorgfalt und Kenntnisstand und darf nur durch qualifiziertes Personal durchgeführt werden. Lassen Sie das Gerät nur von einem autorisierten Servicecenter warten. Beim Service dürfen Sie nur originale Ersatzteile benutzen.

- Pflegen Sie das Produkt mit Sorgfalt und halten Sie es in gutem Zustand. Halten Sie die Messer scharf und die Schutzvorrichtungen in Position und in betriebsbereitem Zustand. Ersetzen Sie beschädigte, verbogene, rissige oder ungleichmäßig abgenutzte Messer, um schwere Körperverletzungen und Schäden am Produkt zu vermeiden und eine optimale Leistung zu erzielen. Ein nicht ausgewuchtetes Messer verursacht Vibrationen, die die Motorantriebseinheit beschädigen oder zu Verletzungen führen können.
- Nehmen Sie niemals Einstellungen oder Reparaturen vor, während der Motor läuft und sich die Messer bewegen.
- Entfernen Sie den Startschlüssel vom Produkt bevor Sie es lagern, warten oder Zubehörteile wechseln. Solche präventiven Sicherheitsmaßnahmen vermindern das Risiko eines unbeabsichtigten Starts des Produkts.
- Sie dürfen die in dieser Bedienungsanleitung beschriebenen Einstellungen und Reparaturen durchführen. Wenden Sie sich zwecks anderer Reparaturen nur an ein autorisiertes Servicecenter.
- Wenden Sie sich an ein autorisiertes Servicecenter, um beschädigte oder unlesbare Etiketten zu ersetzen.
- Die Wartung des Produkts und des Ladegeräts darf nur von qualifiziertem Reparaturpersonal durchgeführt werden. Durch unqualifiziertes Personal durchgeführte Wartungs- oder Pflegearbeiten können zur Verletzung des Benutzers oder der Beschädigung des Produkts führen.

- Überprüfen Sie Bolzen, Muttern und Schrauben in regelmäßigen Abständen, ob sie alle fest angezogen sind, um somit sicherzustellen, das das Produkt in einem sicheren Zustand ist.
- Die Messerschrauben müssen mit dem empfohlenen Drehmoment angezogen werden.
- Überprüfen Sie die Bremsen vor jedem Gebrauch und häufig während des Gebrauchs. Nach Bedarf einstellen und warten.
- Der seitliche Auswurfkanal ist ein federbelasteter Schutz, der die seitliche Auswurföffnung des Mähwerks abdeckt und Grasabfälle und Ablagerungen vom Bediener weggleitet. Vergewissern Sie sich immer, dass der Motor ausgeschaltet ist und sich die Messer nicht mehr bewegen, bevor Sie den Seitenauswurfkanal überprüfen, bewegen, reinigen oder warten.
- Ersetzen Sie aus Sicherheitsgründen abgenutzte oder beschädigte Teile.
- Ersetzen Sie abgenutzte oder beschädigte Messer und Bolzen als Satz um Unwucht zu vermeiden.
- Seien Sie während Einstellarbeiten an der Maschine vorsichtig, um zu verhindern, dass Ihre Finger zwischen die beweglichen Messer und befestigte Teile der Maschine gelangen.
- Nach dem Abschalten des Motors drehen sich die Schneidmesser einige Sekunden lang weiter. Seien Sie sich bei der Wartung des Messers bewusst, dass, obwohl die Stromversorgung unterbrochen ist, das Messer sich immer noch bewegen könnte. Platzieren Sie niemals einen Körperteil in dem Messerbereich, bis Sie sicher sind, dass sich die Messer nicht mehr drehen.
- Das Messer des Produktes ist scharf. Seien Sie vorsichtig und tragen Sie schwere Schutzhandschuhe, wenn Sie Montieren, Austauschen, Reinigen oder den Sitz von Schrauben überprüfen.
- Reinigen Sie das Produkt nach jeder Benutzung mit einem weichen, trockenen Lappen. Jedes beschädigte Teil muss durch den autorisierten Kundendienst ordnungsgemäß repariert oder ausgetauscht werden.

- Halten Sie das Produkt frei von Gras, Blättern oder anderen Ablagerungen.
- Reinigen Sie das Produkt nicht mit Wasser. Verwenden Sie zum Reinigen des Produkts ein Luftbewegungsgerät, z. B. einen Kompressor oder ein Laubbläser.

ENTFERNUNG EINER BLOCKIERUNG

- Schalten Sie das Produkt aus, ziehen Sie die Feststellbremse an und ziehen Sie den Startschlüssel ab. Stellen Sie das Mähwerk auf die maximale Höhe ein. Stellen Sie sicher, dass alle bewegliche Teile vollständig angehalten sind.
- Tragen Sie immer schwere Schutzhandschuhe, wenn Sie eine Blockierung überprüfen und entfernen. Die Messer sind scharf und die Blockade könnte durch einen scharfen Gegenstand entstanden sein.
- Prüfen Sie den Seitenauswurfkanal auf Blockaden und beseitigen Sie sie vorsichtig.
- Wenn Sie Blockaden finden, entfernen Sie sie vorsichtig. Denken Sie daran, dass sich das Messer während des Reinigens bewegen kann.

RESTRISIKEN

Sogar wenn das Produkt wie vorgeschrieben benutzt wird, ist es unmöglich ein gewisses Restrisiko vollständig zu beseitigen. Die folgenden Gefahren können bei der Benutzung entstehen, und der Benutzer sollte besonders auf folgende Punkte achten:

- Durch Vibrationen verursachte Verletzungen.
 - Verwenden Sie für jede Arbeit das immer richtige Werkzeug. Benutzen Sie die vorgesehenen Griffe und schränken die Arbeitszeit und Exposition ein.
- Lärm kann zu Gehörschaden führen.
 - Tragen Sie einen Gehörschutz und schränken Sie die Belastung ein.
- Verletzungen durch Kontakt mit den Messern.
 - Halten Sie ungeschützte Körperteile stets von den Messer fern.
- Verletzungen durch geschleuderte Gegenstände

- Tragen Sie immer angemessenen Augenschutz.

RISIKOVERRINGERUNG

Vibrationen von in der Hand gehaltenen Werkzeugen können bei einigen Personen zu einem Zustand, der Raynaud-Syndrom genannt wird, führen. Symptome sind u.a. Kribbeln, Taubheitsgefühl und episodische Weißfärbung der Finger und treten normalerweise bei Kälte auf. Man geht davon aus, dass ererbte Faktoren, Kälte und Feuchtigkeit, Essgewohnheiten, Rauchen und Arbeitsweise zur Entwicklung dieser Symptome beitragen. Der Anwender kann Maßnahmen ergreifen, um die Auswirkungen der Vibrationen möglicherweise zu verringern:

- Halten Sie den Körper bei Kälte warm. Tragen Sie beim Betrieb des Gerätes Handschuhe, um Hände und Handgelenke warm zu halten. Berichten zu Folge ist kaltes Wetter ein wesentlicher Faktor, der zum Raynaud Syndrom beiträgt.
- Betätigen Sie sich nach jedem Einsatz körperlich, um den Blutkreislauf zu steigern.
- Machen Sie regelmäßig Pausen. Beschränken Sie die Beanspruchung pro Tag.

Sollten bei Ihnen Symptome dieses Zustands auftreten, stellen Sie unverzüglich den Betrieb ein und suchen Sie in Hinsicht auf die Symptome einen Arzt auf.

⚠️ WARNUNG

Verletzungen können durch lange Benutzung eines Werkzeugs entstehen oder verschlimmert werden. Machen Sie regelmäßig Pause, wenn Sie ein Werkzeug für lange Zeit benutzen.

WAS IST IN DER BOX?

- Aufsitzmäher x1
- Baugruppe Sitz x1
- Werkzeugset und Zubehörbox
 - Gabelschlüssel x2
 - Inbusschlüssel x1
 - Torx-Schlüssel x1
 - Startschlüssel x2

- Mulchabdeckung x1
- Bedienungsanleitung x 1
- Kurzanleitung x1
- Montageanleitung x1

- Lenksäulen-Montagebox
- Ladegerät x 1

HINWEIS: Eine vollständige Liste der Lenksäulenbaugruppe finden Sie im Abschnitt "Liste loser Teile".

SYMBOLS AUF DEM PRODUKT



Sicherheitswarnung



Vor dem Bedienen des Produkts müssen Sie alle Anweisungen lesen und verstehen. Befolgen Sie alle Warn- und Sicherheitshinweise.



Halten Sie umstehende Personen (insbesondere Kinder und Tiere) mindestens 30 m vom Arbeitsbereich fern.



Befördern Sie niemals Kinder oder andere Personen, auch wenn die Messer ausgeschaltet sind.



Schauen Sie vor und während des Rückwärtsfahrens immer nach unten und hinter sich und achten Sie darauf, dass sich Kinder, Umstehende und Haustiere nicht in der Nähe aufhalten.



Nicht auf Schrägen größer als 15° benutzen. Auf und ab mähen; nicht quer über den Hang.



Der garantierte Schalleistungspegel beträgt 100 dB(A).



Halten Sie Hände und Füße vom Messer und Schnittbereich fern. Treten Sie nicht auf das Mähwerk oder den seitlichen Auswurfkanal.



Halten Sie unbeteiligte Personen (insbesondere Kinder und Tiere) mindestens 30 m vom Arbeitsbereich fern.



Achten Sie auf geschleuderte oder fliegende Objekte.

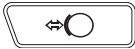


Befördern Sie niemals Kinder oder andere Personen, auch wenn die Messer ausgeschaltet sind.

Schauen Sie vor und während des Rückwärtsfahrens immer nach unten und hinter sich und achten Sie darauf, dass sich Kinder, Umstehende und Haustiere nicht in der Nähe aufhalten.



Halten Sie Hände und Füße vom Messer und Schnittbereich fern.



Bremse
Treten Sie auf das Bremspedal, um das Produkt anzuhalten.



Feststellbremse



Beschleunigen
Treten Sie auf das Gaspedal, um sich vorwärts oder rückwärts zu bewegen.



Ladeanschluss



Dieses Gerät entspricht allen gesetzlichen Normen des Landes der Europäischen Union, in dem es gekauft wurde.



EurAsian Konformitätszeichen



Das Produkt kann rückwärts mit eingeschalteten Messern betrieben werden, wenn die RMO-Taste gedrückt wird und das rote Licht der Taste leuchtet. Schauen Sie immer vor und hinter sich, wenn Sie rückwärts manövrieren. Rückwärts mähen wird nicht empfohlen.



Heben Sie den Messeraktivierungsknopf an um die Messer einzuschalten. Drücken Sie ihn nach unten um die Messer abzuschalten.



Die Geschwindigkeitsregelung ermöglicht es dem Produkt, auf einer konstanten Geschwindigkeit zu bleiben, ohne dass der Bediener das Gaspedal durchtreten muss. Siehe Abschnitt "Einstellen der Geschwindigkeitsregelung".



Elektrische Geräte sollten nicht mit dem übrigen Müll entsorgt werden. Bitte entsorgen Sie diese an den entsprechenden Entsorgungsstellen. Wenden Sie sich an die örtliche Behörde oder Ihren Händler, um Auskunft über die Entsorgung zu erhalten.



Ukrainisches Prüfzeichen



Nicht im freien verwenden



Zeitlich verzögerte Sicherung



Um die Verletzungsgefahr zu verringern, muss der Anwender vor der Verwendung des Produkts die Betriebsanleitung gelesen und verstanden haben.



Explosionsrisiko

Vermeiden Sie zur Verringerung des Verletzungs- oder Beschädigungsrisikos Kontakt mit heißen Oberflächen.



Gebrauch in nicht-trockenen Konditionen oder Nichtbefolgen der Sicherheitshinweise kann zu Stromschlag führen.



Gefahr von Stromschlag.

Unterbrechen Sie immer die Stromzufuhr des Ladegeräts, bevor Sie den Akku anschließen bzw. die Verbindung des Akkus zum Ladegerät unterbrechen.



Nicht Regen aussetzen oder in feuchter Umgebung benutzen.



Nicht Regen oder feuchten Bedingungen aussetzen.



Halten Sie das Gerät von Kindern oder ungeschulten Personen fern. Bedecken Sie keine Lüftungsschlitze und sorgen Sie für eine ausreichende Belüftung während des Betriebs.



Halten Sie das Gerät von Kindern oder ungeschulten Personen fern.



Tragen Sie einen Augenschutz.



Der Akku-Pack enthält Säure. Wenn Säure mit Haut oder Kleidung in Berührung kommt, sofort 10 Minuten lang mit Wasser spülen.



Falls die Flüssigkeit in die Augen gerät, spülen Sie diese mindestens 10 Minuten lang mit sauberem Wasser aus und nehmen Sie dann umgehend ärztliche Hilfe in Anspruch.



Batterie auslaufgeschützt. Batterie muss recycelt werden.



Das Produkt enthält Blei-Säure-Batterien. Gemäß der örtlichen Vorschriften kann die Entsorgung von Blei-Säure-Batterien im normalen Hausmüll verboten sein. Befragen Sie Ihre örtliche Abfallentsorgung nach Information über mögliche Wiederverwertung und/oder Entsorgung.



Vergewissern Sie sich, dass der seitliche Auswurfkanal vollständig geschlossen ist, bevor Sie das Produkt bedienen.



Betreiben Sie das Produkt nicht, wenn der seitliche Auswurfkanal geöffnet ist.



Den Mäher fahren



Den Mäher fahren



Stecken Sie den Startschlüssel ein und drehen Sie den Schlüssel in die Position ON.



Stellen Sie den Fahrrichtungsschalter in die Vorwärtsposition (F).



Treten Sie auf das Bremspedal, um die Feststellbremse zu lösen.



Ziehen Sie den Klingenreingriffsknopf nach oben, um die Klingen zu aktivieren.



Treten Sie auf das Gaspedal, um den Rasen zu mähen.



Treten Sie auf das Bremspedal und bringen Sie den Mäher zum Stillstand.



Drücken Sie den Messeraktivierungsknopf nach unten um die Messer auszuschalten



Drücken Sie die Rückwärtstaste.



Ziehen Sie den Messeraktivierungsknopf nach oben um die Messer einzuschalten.



Stellen Sie den Fahrtrichtungsschalter in die Rückwärtsposition (R).



Gaspedal treten und nach Bedarf rückwärts mähen.



Den Mäher abstellen



Halten Sie den Mäher auf einer ebenen Fläche an. Stoppen Sie das Produkt nicht an Hängen.



Treten Sie auf das Bremspedal und ziehen Sie die Feststellbremse an.



Stellen Sie den Fahrtrichtungsschalter in die Neutralstellung (N).



Drücken Sie den Messeraktivierungsknopf nach unten um die Messer auszuschalten



Drehen Sie den Schlüssel in die Position OFF.



Den Mäher anhalten



Drücken Sie den Messeraktivierungsknopf nach unten um die Messer auszuschalten



Treten Sie auf das Bremspedal.



Feststellbremse anziehen.



Drehen Sie den Schlüssel in die Position OFF.



Entfernen Sie den Startschlüssel.

SYMBOLE IN DIESER BEDIENUNGSANLEITUNG



Teile oder Zubehör getrennt erhältlich



Hinweis



Warnung

Mit den folgenden Symbolen wird die Bedeutung der verschiedenen Risikostufen, die mit dem Produkt einhergehen, dargestellt.

⚠️ GEFAHR

Weist auf eine unmittelbare gefährliche Situation hin, die, falls nicht vermieden, zu Tod oder ernsthafter Verletzung führen kann.

⚠️ WARNUNG

Weist auf eine mögliche gefährliche Situation hin, die, falls nicht vermieden, zu Tod oder ernsthafter Verletzung führen kann.

⚠️ VORSICHT

Weist auf eine mögliche gefährliche Situation hin, die, falls nicht vermieden, zu einer leichten oder mittleren Verletzung führen kann.

VORSICHT

(Ohne Sicherheitswarnsymbol) Bezeichnet eine Situation die zu Sachbeschädigungen führen kann.

MONTAGE

⚠️ WARNUNG

Um das Verletzungsrisiko zu minimieren, lesen und verstehen Sie den Abschnitt zur Montage dieses Handbuchs, bevor Sie versuchen, das Produkt zusammenzubauen. Bewahren Sie diese Anleitung zum späteren Nachschlagen auf.

EN

FR

DE

DA

SV

FI

NO

SICHERHEITSREGELN FÜR DIE MONTAGE

⚠️ WARNUNG

Halten Sie sich beim Anziehen mittels Drehmoment- Schlüssel strikt an die Spezifikationen der Drehmomente. Nichtbeachtung dieser Warnung kann zu schweren Verletzungen führen.

Alle in diesem Handbuch enthaltenen Informationen, Abbildungen, Fotos und technischen Daten basieren auf den neuesten Produktinformationen, die zum Zeitpunkt der Veröffentlichung verfügbar waren. Aufgrund von Verbesserungen oder anderen Änderungen kann es zu Abweichungen in diesem Handbuch kommen. Wir behalten uns das Recht vor, Produktänderungen jederzeit ohne vorherige Ankündigung und ohne Verpflichtung vorzunehmen, dieselben oder ähnliche Änderungen an zuvor hergestellten oder verkauften Produkten durchzuführen.

- Jede Person, die versucht, das Produkt zusammenzubauen, muss über eine angemessene Ausbildung und Erfahrung verfügen. Lesen Sie dieses Handbuch sorgfältig durch und befolgen Sie alle in diesem Handbuch beschriebenen Montageverfahren.
- Die gesamte Montage muss mit dem Produkt auf einer ebenen Fläche abgeschlossen werden.

NOTWENDIGE WERKZEUGE

Folgende Werkzeuge werden zur Montage benötigt:

- Drehmomentschlüssel
- Reifendruckprüfer
- Steckschlüssel
 - 12-mm-Buchse
 - 13-mm-Buchse

- Sechskanteinsatz (6mm)

AUSPACKEN

Siehe *Abbildung 1*.

- Entfernen Sie die Schrauben, mit denen die Eck- und Seitenstreben am Rahmenboden befestigt sind, und heben Sie die Streben an, um sie zu entfernen.
- Schneiden Sie die Nylonbänder durch, mit denen die Vorder- und Hinterradachse am Rahmen befestigt sind.
- Entfernen Sie die Kartons mit losen Teilen, Montageteilen und Dokumentation.
- Entfernen Sie alle zugänglichen Verpackungsmaterialien und wickeln Sie sie vom Gerät und den Teilen ab. Entsorgen Sie nicht die Verpackung, bis Sie das Produkt sorgfältig inspiziert und zu Ihrer Zufriedenheit benutzt haben.

⚠️ WARNUNG

Wenn beim Auspacken Teile aus dem Abschnitt "Liste loser Teile" bereits am Produkt montiert sind, überprüfen Sie, ob das Teil korrekt zusammengebaut, fest angezogen und ggf. richtig angezogen ist, bevor Sie mit dem nächsten Montageschritt fortfahren. Die Verwendung eines Produkts, das nicht ordnungsgemäß montiert wurde, kann zu schweren Verletzungen führen.

- Untersuchen Sie das Produkt sorgfältig und vergewissern Sie sich, dass während des Transports keine Beschädigungen aufgetreten sind.
- Kontaktieren Sie einen autorisierten Kundendienst, wenn irgendwelche Teile beschädigt sind oder fehlen.

HINWEIS: Das Produkt sollte montiert werden, während es auf dem Rahmenboden positioniert ist. Wenn die Montage abgeschlossen ist, stellen Sie das Mähwerk auf die maximale Höhe, positionieren Sie eine Rampe neben dem

Rahmenboden und fahren Sie das Produkt langsam und vorsichtig vom Rahmen.

⚠️ WARNUNG

Gehen Sie vorsichtig vor, wenn Sie das Produkt vom Rahmen fahren, und treten Sie nach Bedarf auf das Bremspedal, um die Geschwindigkeit zu steuern. Das Produkt rollt frei, wenn es auf einer geneigten Fläche bewegt wird, ohne auf das Bremspedal zu treten oder die Feststellbremse zu betätigen. Die Nichtbeachtung dieser Anweisungen kann zum Verlust der Kontrolle und zum Tod, zu schweren Körperverletzungen oder zu Sachschäden führen.

⚠️ WARNUNG

Wenn keine Rampe zur Verfügung steht, fahren Sie das Produkt langsam und vorsichtig rückwärts vom Rahmen ab, während Sie nach unten und hinten schauen. Wenn Sie das Produkt ohne Rampe vom Rahmen nach vorne fahren, kann das Mähwerk beschädigt werden.

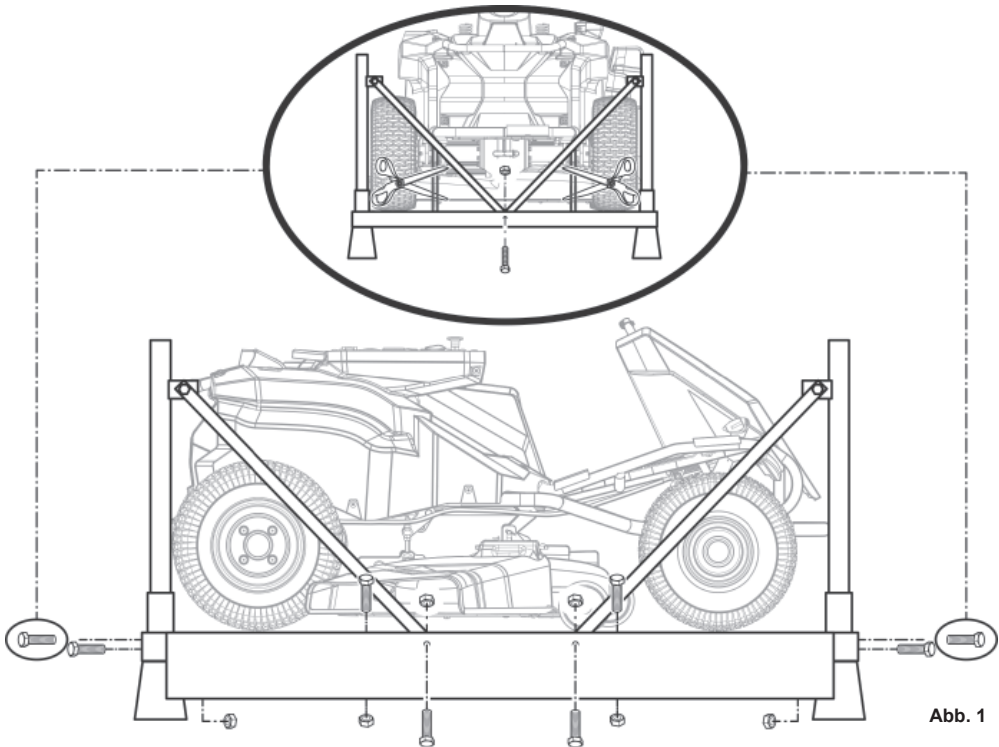


Abb. 1

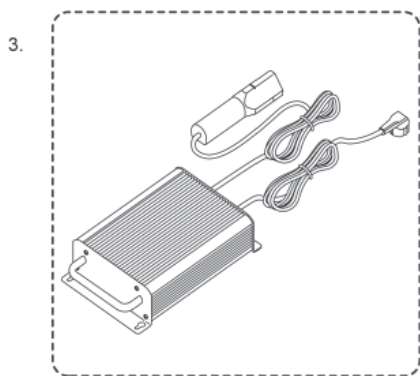
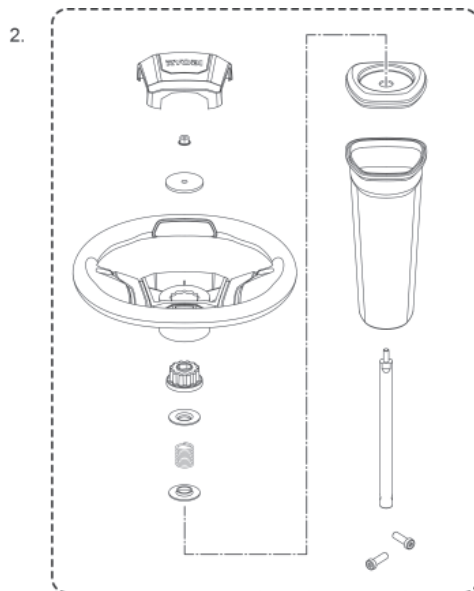
LISTE LOSER TEILE

1. Baugruppe Sitz x1
2. Lenksäulen-Montage
Obere Lenkwelle x1
Schrauben x 2
Lenksäule x1
Lenksäulenverkleidung x1
Flanschscheiben x2
Feder x 1
Lenkradnabe x1
Lenkrad x1
Unterlegscheibe x 1
Flanschmutter x2
Lenkradabdeckung x1

3. Ladegerät x 1
4. Stoßstange x 1
5. Startschlüssel x 3

⚠ WARNUNG

Wenn Teile beschädigt sind oder fehlen, bauen Sie das Produkt erst zusammen, wenn die Teile durch neue Originalteile des Herstellers ersetzt wurden. Die Montage des Produkts mit beschädigten, fehlenden oder falschen Teilen kann zu ernsthaften Verletzungen führen.



⚠️ WARNUNG

Halten Sie sich strikt an alle Spezifikationen zu Drehmoment Angaben. Nichtbeachtung dieser Warnung kann zu schweren Verletzungen führen.

⚠️ WARNUNG

Versuchen Sie nicht, dieses Gerät zu verändern oder Zubehör zu erstellen, das für dieses Gerät nicht empfohlen ist. Jegliche Änderungen und Modifikationen stellen einen Missbrauch dar und könnten schwere Personen- und Sachschäden mit sich bringen.

⚠️ WARNUNG

Ziehen Sie beim Montieren von Teilen immer den Startschlüssel ab, um versehentliches Starten zu verhindern; dies könnte zu schwerwiegenden Verletzungen führen.

AKKU EINSETZEN

Siehe Abbildung 2.

Bei Auslieferung ab Werk sind die Akkus des Produkts nicht angeschlossen.

Einsetzen:

1. Drücken Sie auf die Laschen an der Kabelabdeckung und heben Sie die Abdeckung an, um sie zu entfernen.
2. Verbinden Sie die beiden Enden des Batterie-Schnellverbindungssteckers miteinander.

HINWEIS: Installieren Sie den Sitz wie im nächsten Abschnitt beschrieben, bevor Sie die Kabelabdeckung wieder anbringen.

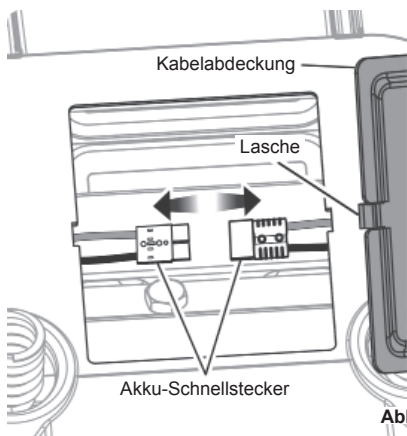


Abb. 2

SITZ ANBRINGEN

Siehe Abbildung 3.

1. Entfernen Sie die Schrauben und Flanschkümmern von den Sitzhalterungen.
2. Setzen Sie die Sitzbaugruppe über die Montagehalterungen, und richten Sie die Öffnungen wie gezeigt aus.
3. Setzen Sie die Schrauben und Flanschkümmern wieder ein und ziehen Sie sie fest an.
4. Führen Sie die Verbindungsleitung des Sicherheitssperresystems des Sitzes durch die Öffnung in der Kabelabdeckung und verbinden Sie es mit dem Stecker am Mäher.
5. Bringen Sie die Kabelabdeckung wieder an und vergewissern Sie sich, dass sie fest sitzt.

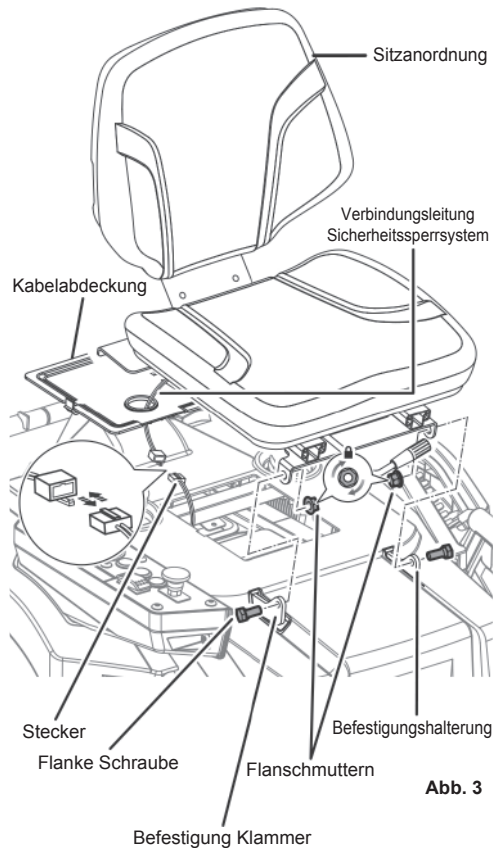


Abb. 3

LENKSÄULE EINBAUEN

Siehe Abbildungen 4 - 5.

1. Die obere Lenkwelle in die Kupplung einbauen und nach Bedarf drehen, um die Öffnung in der Welle mit dem Schraubenloch in der Kupplung auszurichten.
2. Bringen Sie zwei Schrauben an und ziehen Sie sie mit einem Drehmoment von 20 Nm fest an.
3. Führen Sie die Lenksäule über die Welle. Beachten Sie die Laschen an der Unterseite der Lenksäule, die in die Löcher in der Öffnung passen, und stellen Sie sicher, dass die Lenksäule sicher sitzt.
4. Die Lenksäulenabdeckung so einbauen, dass sie sicher sitzt. Die obere Lenkwelle ragt durch die Öffnung in der Abdeckung.
5. Installieren Sie die Flanschscheibe (Flansch oben), die Feder, die zweite Flanschscheibe (Flansch unten) und die Lenkradnabe auf der oberen Lenkwelle.
6. Stellen Sie sicher, dass die Räder des Mähers gerade ausgerichtet sind, und montieren Sie das Lenkrad über der Lenkradnabe.
7. Installieren Sie die Unterlegscheibe und die Flanschmutter. Ziehen Sie die Mutter mit einem Drehmoment von 25 Nm fest an.
8. Die Lenkradabdeckung einbauen.

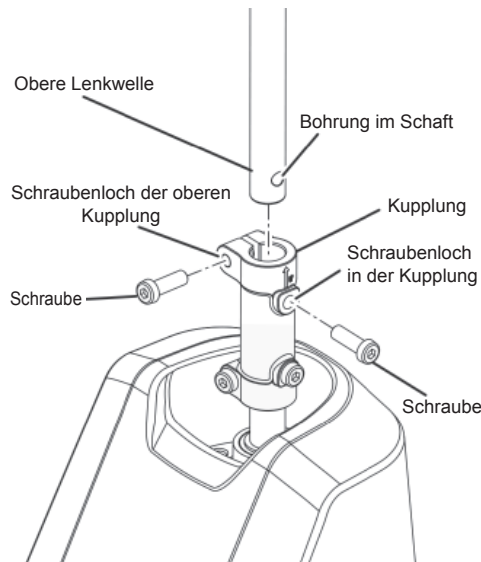


Abb. 4

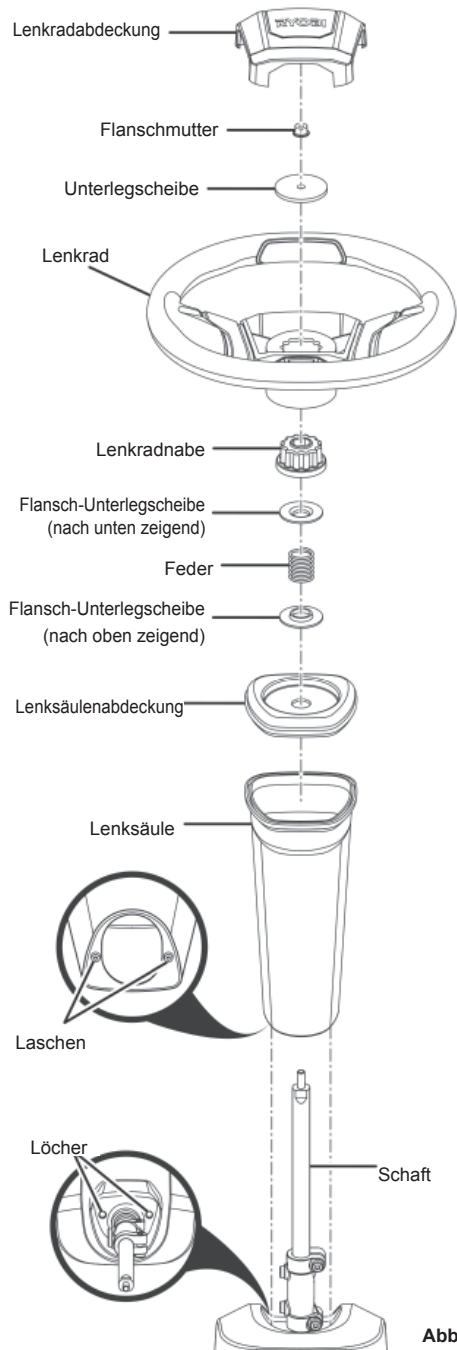


Abb. 5

STOSSSTANGE EINBAUEN

Siehe Abbildung 6.

1. Entfernen Sie die Flanschmuttern und Sechskantschrauben, mit denen die Stoßstangenabdeckung am Mäherrahmen befestigt ist.
2. Den Stoßfänger wie abgebildet in die Öffnungen an der Vorderseite des Mäherrahmens einbauen.
3. Richten Sie die Öffnungen in der Stoßstange, am Mäherrahmen und der Stoßstangenabdeckung aus. Setzen Sie die Sechskant-Ansatzschrauben und Flanschmuttern wieder ein und ziehen Sie sie fest an.

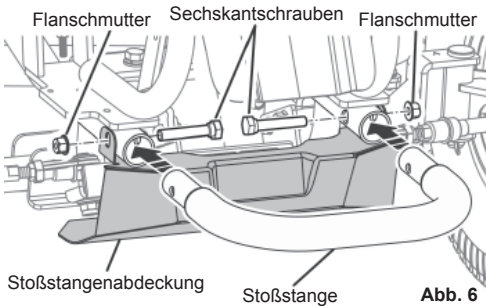


Abb. 6

LADEN SIE DAS PRODUKT AUF

Siehe Abbildungen 7 - 8.

Die Akkus des Mähers müssen 24 Stunden lang vor dem ersten Gebrauch aufgeladen werden. Überprüfen Sie die Batteriestandsanzeige, um sicherzustellen, dass die Akkus des Mähers voll aufgeladen sind.

Für beste Ergebnisse:

- Laden Sie das Gerät nicht in extremer Hitze oder Kälte auf. Die Akkus laden sich am besten bei Temperaturen von 0 °C bis 40 °C auf.
- Laden Sie niemals einen gefrorenen Akku auf.

- Montieren oder platzieren Sie das Ladegerät an einem Ort mit ausreichender Belüftung, ohne die Kühlrippen abzudecken.
- Stellen Sie sicher, dass sowohl der Ladegerät- als auch der Mäheranschluss sauber und frei von Schmutz oder Ablagerungen sind.

Aufladen:

1. Stecken Sie den Ladestecker in den Ladeanschluss des Mähers und vergewissern Sie sich, dass er richtig angeschlossen ist.
2. Schließen Sie das Ladegerät an eine Stromversorgung mit einem normalen Haushaltsstrom von 220-240 VAC, 50/60 Hz an. Die Akkus sollten sich automatisch aufladen.
3. Wenn Sie zum Mähen bereit sind, trennen Sie das Ladegerät von der Stromversorgung und dann das Ladegerät vom Mäher.

HINWEIS: Das Ladegerät ist mit einem Stecker mit Erdung ausgestattet und muss an eine passende Steckdose angeschlossen werden, die gemäß den örtlichen Vorschriften und Verordnungen ordnungsgemäß installiert und geerdet wurde. Keine Adapter verwenden oder den mitgelieferten Stecker modifizieren. Falls der Stecker nicht zu der Steckdose passt, lassen Sie durch einen qualifizierten Elektriker eine ordnungsgemäße Steckdose installieren.

Im eingeschalteten Zustand leuchtet die LED-Anzeige am Ladegerät, um den Status des Ladegeräts anzuzeigen. Beziehen Sie sich auf die folgende Tabelle, um die Bedeutung der LED-Anzeige zu bestimmen.

⚠ WARNUNG

Stellen Sie den Starterschlüssel immer auf OFF und ziehen Sie den Startschlüssel ab, wenn Sie das Produkt laden oder wenn das Produkt nicht verwendet wird.

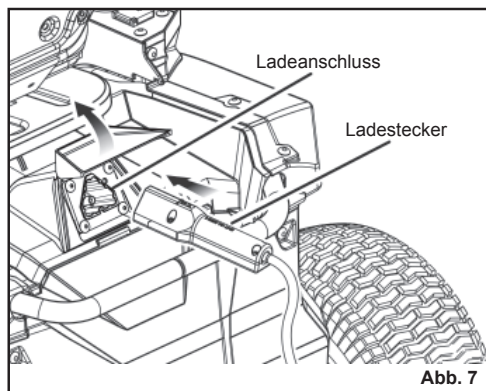


Abb. 7

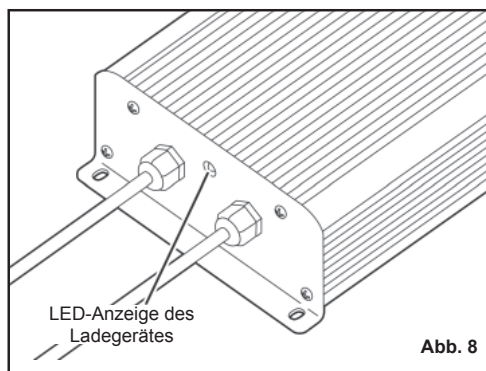


Abb. 8

⚠ WARNUNG

Lassen Sie das Ladegerät am Mäher angeschlossen, wenn es nicht benutzt wird. Wenn das Ladegerät des Mähers nicht angeschlossen bleiben kann, laden Sie die Akkus mindestens einmal im Monat vollständig auf.

⚠ WARNUNG

Laden Sie das Produkt in Innenräumen an einem gut belüfteten Ort auf. Laden Sie das Produkt nicht in einem engen Raum auf.

LED-ANZEIGE DES LADEGERÄTES

Ladestatus	Angeschlossen an		LED		Aktion
	Stromversorgung	Rasenmäher	Ladegerät	Rasenmäher	
Bereitschaft	Ja	Nein	An	Aus	Ladegerät zum Aufladen eines Akkus
Wird geladen	Ja	Ja	An	Langsames Blinken	—
Fehlercodes des Ladegeräts	Ja	Ja	Aus	Schnelles Blinken	Akkutemperatur, Akkukapazität oder Ladegerät kann fehlerhaft sein.
	<ul style="list-style-type: none"> • Wenn die LED-Anzeige diesen Fehler zeigt, warten Sie etwa 15 Minuten lang, damit sich Akku und Ladegerät abkühlen können. • Wenn die LED-Anzeige erneut auftritt, setzen Sie das Ladegerät zurück oder setzen Sie den Akku erneut ein. • Wenn ein anderes Ladegerät normal lädt, kann das Ladegerät defekt sein. • Wenn ein anderer Akku normal lädt, kann die Akkukapazität zu gering sein. 				
Vollständig geladen	Ja	Ja	An	An	Der Schnelllademodus ist beendet, das Ladegerät setzt das Laden fort.
Sperre	Nein	Ja	Aus	Schnelles Blinken	Der Stecker ist noch an den Rasenmäher angeschlossen. Der Rasenmäher kann nicht eingeschaltet werden.
Defekt	Ja	Ja	An	Schnelles Blinken	Der Akku kann defekt sein.
	<ul style="list-style-type: none"> • Wenn der LED-Status „Defekt“ anzeigt, setzen Sie das Ladegerät zurück oder setzen Sie den Akku erneut ein. • Wenn die Leuchtdioden weiterhin einen Fehler anzeigen, versuchen Sie, Ihr Ladegerät mit einem anderen Akku zu verwenden. • Wenn ein anderer Akku normal aufgeladen werden kann, entsorgen Sie den defekten Akku (lesen Sie den Abschnitt "Wartung"). 				

REIFENLUFTDRUCK PRÜFEN

Überprüfen Sie vor dem Gebrauch den Luftdruck in allen Reifen. Unsachgemäßer Luftdruck beeinträchtigt das Fahrverhalten, das Lenkverhalten, die Traktion, die Lebensdauer der Reifen, das Schneiden auf gleicher Höhe und den Bedienerkomfort. Stellen Sie sicher, dass die Reifen den empfohlenen Druck (1,6 bar) haben.

HINWEIS: Luftdruck nur bei kalten Reifen messen oder einstellen.

⚠️ WARNUNG

Überprüfen Sie den Reifendruck beim Aufpumpen sorgfältig. Zu viel Luft im Reifen kann zum Platzen des Reifens und zu schweren Verletzungen führen.

ÜBERPRÜFEN DES SICHERHEITSPERRSYSTEM DES SEITLICHEN AUSWURFKANALS

Siehe Abbildung 9.

Vergewissern Sie sich vor der Verwendung des Produkts, dass der seitliche Auswurfkanal ordnungsgemäß geschlossen ist. Der seitliche Auswurfkanal verfügt über ein Sicherheitssperresystem, das die Messer stoppt, wenn der seitliche Auswurfkanal geöffnet wird, während die Messer in Betrieb sind.

Stellen Sie die Verwendung des Produkts ein und lassen Sie es von einem autorisierten Servicecenter warten, wenn die Messer nicht anhalten, wenn der seitliche Auswurfkanal während des Gebrauchs von einem Hindernis angehoben wird.

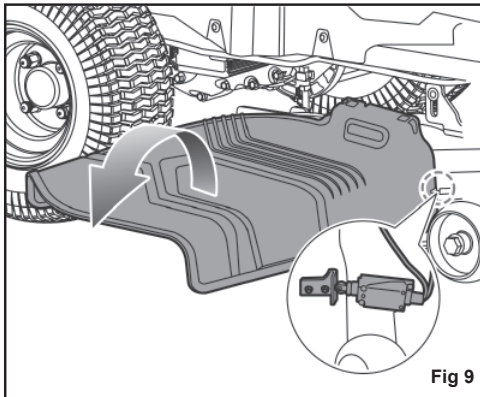


Fig 9

TESTENDESSICHERHEITSPERRSYSTEM FÜR DEN BEDIENER

Siehe Abbildung 10.

Das Sicherheitssperresystem stoppt die Messer, wenn der Bediener den Mäher verlässt, während die Messer in Betrieb sind. Testen Sie das System vor jeder Verwendung, um sicherzustellen, dass es ordnungsgemäß funktioniert.

1. Vergewissern Sie sich, dass sich der Fahrtrichtungsschalter in der Neutralstellung (N) befindet und der Knopf zur Messeraktivierung nach unten zeigt.
2. Stecken Sie den Startschlüssel ein und drehen Sie den Schlüssel in die Position ON.
3. Ziehen Sie den Knopf zur Messeraktivierung nach oben, um die Messer zu aktivieren.
4. Stehen Sie kurz auf, aber nicht vom Mäher absteigen.

Die Messer müssen innerhalb von 5 Sekunden anhalten. Wenn die Messer nicht anhalten, wenden Sie sich an ein autorisiertes Servicecenter.

Verwenden Sie das Produkt erst, wenn das Sicherheitssperresystem repariert wurde.

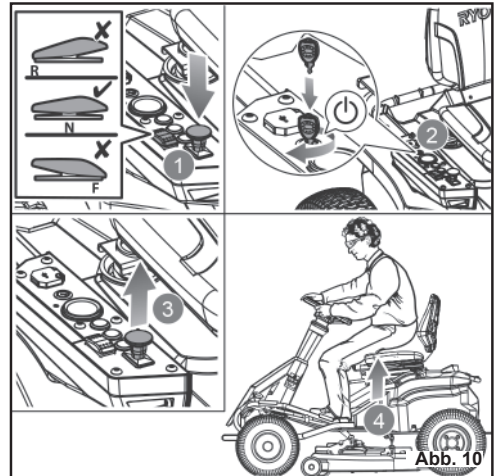


Abb. 10

PRODUKTMERKMALE

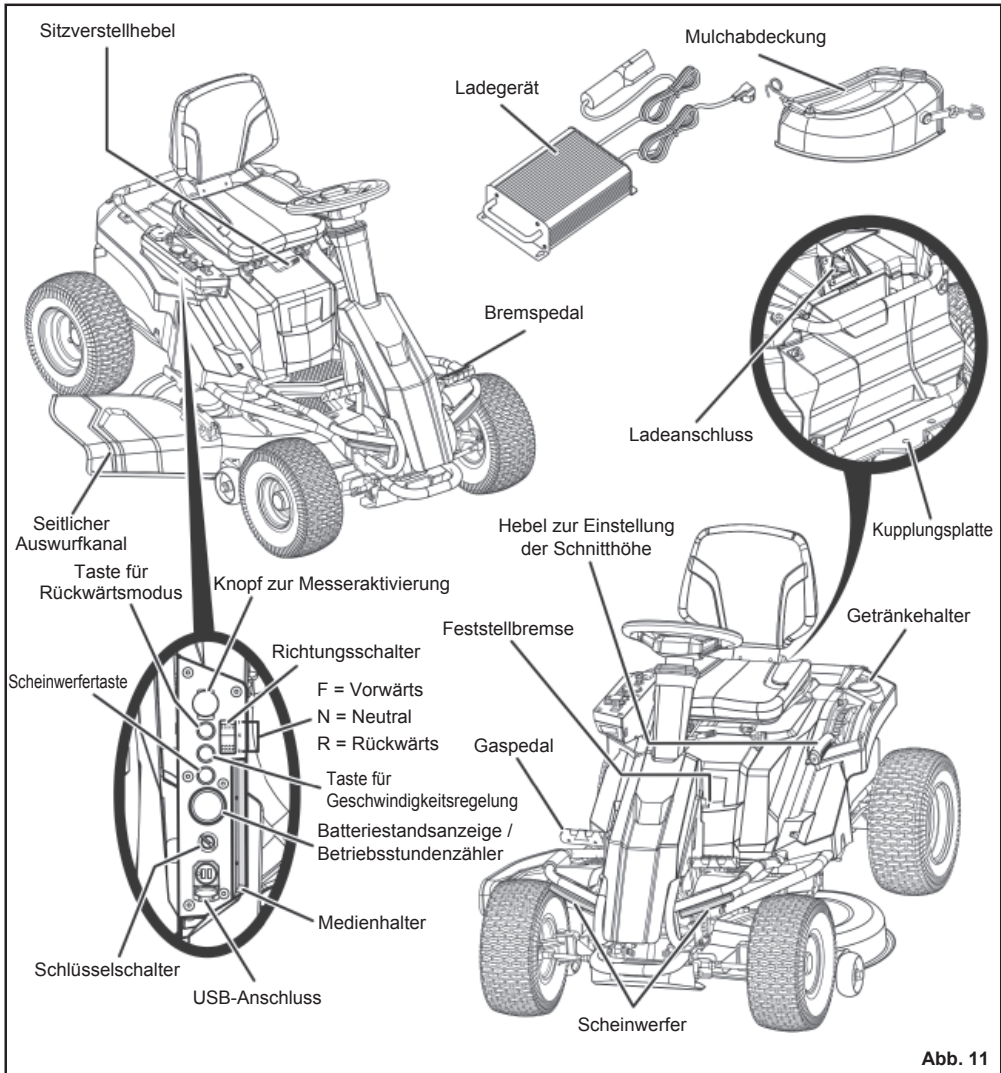


Abb. 11

MACHEN SIE SICH MIT IHREM PRODUKT VERTRAUT

Siehe Abbildung 11.

Lesen und verstehen Sie zur Sicherheit die Informationen auf dem Produkt und in diesem Handbuch. Machen Sie sich mit allen Betriebsfunktionen und Sicherheitsregeln vertraut, bevor Sie das Produkt verwenden.

GASPEDAL

Das Gaspedal steuert die Geschwindigkeit des Produkts.

BATTERIESTANDSANZEIGE BETRIEBSSTUNDENZÄHLER

Die Batteriestandsanzeige zeigt die verbleibende Batterieladung an. Der

Stundenzähler erfasst die Betriebsstunden (Starterschlüssel auf on-Position). Dies dient zur Wartung.

KNOPF ZUR MESSERAKTIVIERUNG

Der Knopf zur Messeraktivierung aktiviert oder stoppt die Messer. Ziehen Sie den Knopf zur Messeraktivierung nach oben, um die Messer zu aktivieren. Drücken Sie den Knopf nach unten, um die Messer anzuhalten. Die Messer müssen innerhalb von 5 Sekunden anhalten. Wenn die Messer nicht anhalten, wenden Sie sich an ein autorisiertes Servicecenter.

HINWEIS: Zum Schneiden beim Rückwärtsfahren muss zusätzlich die Taste für den Rückwärtsmodus aktiviert werden.

BREMSPEDAL

Das Bremspedal verlangsamt oder stoppt das Produkt.

LADEGERÄT

Das Ladegerät lädt die Akkus des Mähers auf. Es verfügt über eine Aufhängfunktion für eine bequeme und platzsparende Aufbewahrung. Wenn Sie sie an die Langlöcher hängen, verwenden Sie mindestens eine zusätzliche Schraube in der Öffnung im Montageflansch, um sie zu sichern. Immer so montieren, dass die LED-Statusanzeige des Ladegeräts während des Ladevorgangs sichtbar ist.

TASTE FÜR GESCHWINDIGKEITSREGELUNG

Mit der Tempomat-Taste kann das Produkt mit einer festgelegten Geschwindigkeit vorwärts fahren, ohne dass das Gaspedal betätigt werden muss.

HEBEL ZUR EINSTELLUNG DER SCHNITTHÖHE

Der Hebel zur Höhenverstellung des Mähwerks hebt oder senkt das Mähwerk.

RICHTUNGSSCHALTER

Der Richtungsschalter steuert die Richtungsbewegung des Mähers. Verfügbare Einstellungen sind Vorwärts (F), Neutral (N) und Rückwärts (R).

SCHEINWERFERTASTE

Die Scheinwerfertaste schaltet die Scheinwerfer ein und aus.

MEDIENHALTER

In den Medienhaltern können Sie Ihr Mobiltelefon oder Ihren MP3-Player bequem aufbewahren, wenn Sie über den USB-Anschluss laden.

MULCHABDECKUNG

Die Mulchabdeckung deckt den seitlichen Auswurfkanal ab, sodass die Messer feineres Schnittgut schneiden können.

FESTSTELLBREMSE

Die Feststellbremse arretiert das Produkt in der Bremsposition.

SCHLÜSSELSCHALTER

Der Schlüsselschalter schaltet das Produkt ein und aus. Der Startschlüssel muss eingesteckt sein, bevor der Schalter betätigt werden kann. Wenn sich der Schlüssel in der AUX-Position befindet, wird der Netzschalter auch zum Betreiben von optionalem, vom Hersteller zugelassenem Zubehör verwendet.

SICHERHEITSSPERRSYSTEM FÜR DEN BEDIENER

Das Sicherheitssperrsystem für den Bediener stoppt die Messer, wenn der Bediener den Mäher verlässt, während die Messer in Betrieb sind.

SITZVERSTELLHEBEL

Der Sitzverstellhebel bewegt den Sitz in die bevorzugte Position.

SICHERHEITSSPERRSYSTEM DES SEITLICHEN AUSWURFKANALS

Der seitliche Auswurfkanal verfügt über ein Sicherheitssperrsystem, das die Messer stoppt, wenn der seitliche Auswurfkanal geöffnet wird, während die Messer in Betrieb sind.

USB-ANSCHLUSS

Über den USB-Ladeanschluss können Sie Ihr Mobiltelefon, Ihren MP3-Player oder andere USB-Geräte mit 5 V Gleichstrom bei bis zu 1 A aufladen. Informationen zu den spezifischen Ladeanforderungen finden Sie im Handbuch Ihres Geräts.

Schließen Sie ein Ende eines USB-Kabels (nicht enthalten) an Ihr Gerät und das andere Ende an den USB-Ladeanschluss des Produkts an, um Ihr Gerät aufzuladen.

HINWEIS: Der USB-Anschluss wird nur mit Strom versorgt, wenn sich der Startschlüssel in der Position ON befindet.

⚠ WARNUNG

Wenn Sie versuchen, Geräte mit einer Nennleistung von mehr als 1 A aufzuladen, können der USB-Ladeanschluss und der Rasenmäher beschädigt werden. Schließen Sie immer die USB-Abdeckung, wenn Sie sie nicht verwenden, um zu verhindern, dass Schmutz im Anschluss eingeschlossen wird.

⚠ WARNUNG

Verwenden Sie niemals Kopfhörer oder elektronische Geräte wie Smartphones oder Tablets, während Sie das Produkt bedienen. Eine Konzentrationsstörung während des Betriebs des Produkts kann zu ernsthaften Verletzungen des Bedieners oder eines Zuschauers führen.

KUPPLUNGSPLATTE

Mit der Kupplungsplatte können Lasten mit einem Gewicht von höchstens 226,8 kg gezogen werden.

⚠ WARNUNG

Achten Sie darauf, im Umgang mit vertrauten Geräten und Werkzeugen nicht zu sorglos zu werden. Denken Sie daran, dass eine sekundenlange Unkonzentriertheit genügen kann, um eine schwere Verletzung zu verursachen.

⚠ WARNUNG

Tragen Sie eine Schutz- oder Sicherheitsbrille mit Seitenschutz. Die Missachtung dieser Anweisung kann dazu führen, dass Fremdkörper in Ihre Augen geschleudert werden und schwere Augenverletzungen verursachen.

⚠ WARNUNG

Schalten Sie das Produkt aus, ziehen Sie die Feststellbremse an und ziehen Sie den Startschlüssel ab. Stellen Sie sicher, dass alle beweglichen Teile zum Stillstand gekommen sind, bevor Sie Teile zusammenbauen, Einstellungen vornehmen, das Produkt reinigen oder das Produkt unbeaufsichtigt lassen. Dies verhindert ein versehentliches Starten, das zu schweren Verletzungen führen kann.

⚠ WARNUNG

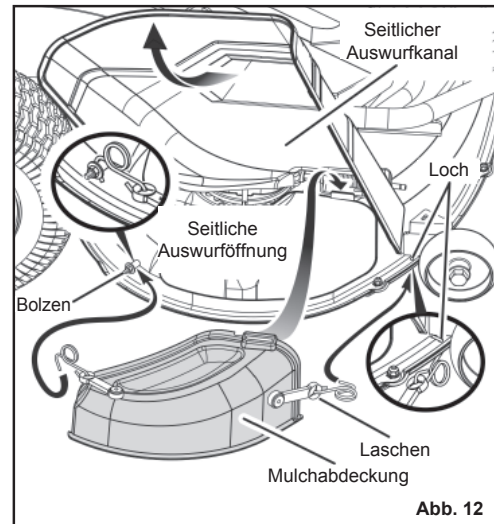
Untersuchen Sie das Produkt immer auf fehlende oder beschädigte Teile. Überprüfen Sie die Messer vor dem Gebrauch immer auf Beschädigungen, ungleichmäßige oder übermäßige Abnutzung. Die Verwendung eines Produkts mit beschädigten oder fehlenden Teilen kann zu schweren Verletzungen führen.

MULCHABDECKUNG MONTIEREN

Siehe Abbildung 12.

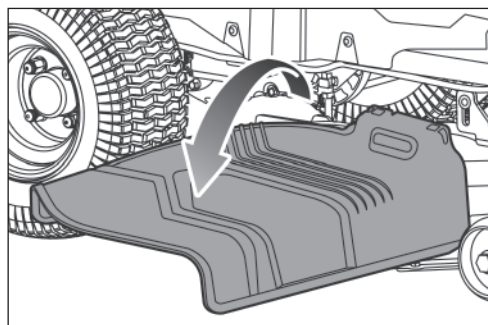
Das Produkt ist im Auslieferungszustand für den Seitenauswurf konfiguriert. Wenn das Mulchen bevorzugt wird:

1. Heben Sie den seitlichen Auswurfkanal an.
2. Setzen Sie die Mulchabdeckung auf die Lasche am Mähergehäuse.
3. Verbinden Sie die Laschen der Mulchabdeckung mit den beiden seitlichen Befestigungspunkten am Mähwerkgehäuse.
4. Lösen Sie den seitlichen Auswurfkanal.



⚠ WARNUNG

Stellen Sie sicher, dass der seitliche Auswurfkanal nach Beendigung vollständig geschlossen ist. Nichtbefolgung kann zu schweren Verletzungen führen.



FESTSTELLBREMSE ANZIEHEN

Siehe Abbildung 13.

So ziehen Sie die Feststellbremse an:

1. Stellen Sie den Fahrrichtungsschalter in die Neutralstellung (N).
2. Treten Sie auf das Bremspedal und halten Sie es gedrückt.
3. Heben Sie den Feststellbremshebel komplett hoch und halten Sie ihn fest.
4. Lassen Sie das Bremspedal los.
5. Lassen Sie den Feststellbremshebel los

So lösen Sie die Feststellbremse:

- Treten Sie auf das Bremspedal und lassen Sie es los.

⚠ WARNUNG

Lassen Sie das Produkt niemals unbeaufsichtigt, wenn der Motor läuft. Stellen Sie sicher, dass die Feststellbremse angezogen ist und der Schlüssel abgezogen wurde. Wenn die Feststellbremse nicht angezogen wird, kann sich das Produkt bewegen, und der gesteckte Schlüssel kann zu einer unbefugten Verwendung führen, die zu schweren Verletzungen führen kann.

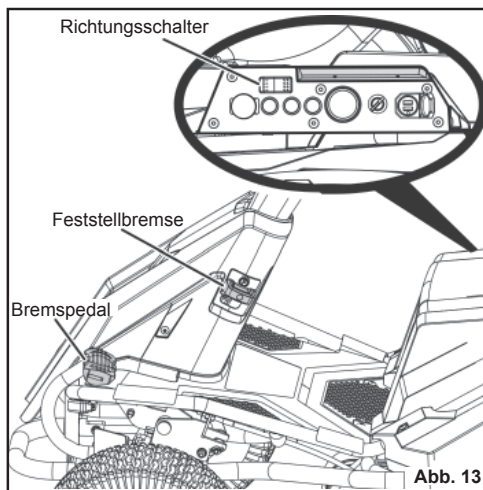


Abb. 13

SITZ EINSTELLEN

Siehe Abbildung 14.

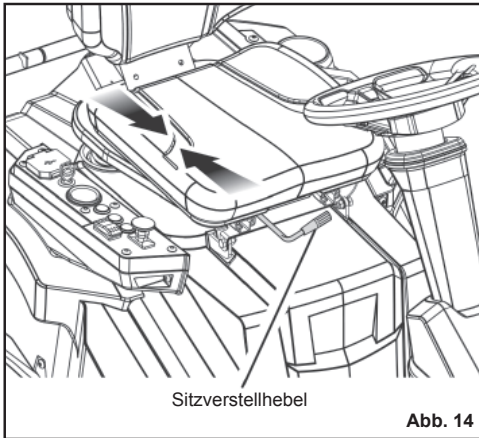
Passen Sie die Sitzposition an, um sicherzustellen, dass der Benutzer festen Kontakt mit den Gas- und Bremspedalen hat, bevor Sie das Produkt bedienen.

So bewegen Sie den Sitz:

1. Setzen Sie sich auf den Sitz und heben Sie den Sitzverstellhebel an.
2. Schieben Sie den Sitz in die gewünschte Position, während Sie den Hebel gedrückt halten.
3. Lösen Sie den Hebel und vergewissern Sie sich, dass der Sitz eingerastet ist, bevor Sie das Produkt bedienen.

⚠ WARNUNG

Stellen Sie sicher, dass der Sitz eingerastet ist, bevor Sie den Mäher bedienen. Ein nicht sicherer Sitz kann dazu führen, dass sich der Sitz verschiebt und der Bediener die Kontrolle über den Mäher verliert. Dies kann zum Tod oder zu schweren Körperverletzungen führen.



Sitzverstellhebel

Abb. 14

EINSTELLEN DER SCHNITTHÖHE

Siehe Abbildung 15.

Erhöhen Sie vor der Verwendung des Produkts die Schnitthöhe in die für Ihren Rasen am besten geeignete Position.

HINWEIS: Um zu verhindern, dass der Rasen bei hohen Stellen komplett abgeschürft wird, sollten die Mähwerkkräder etwa 1,3 cm über dem Boden positioniert werden, wenn sich der Mäher auf der gewünschten Schnitthöhe befindet. Im Auslieferungszustand sind die Mähwerkkräder auf 3,8 cm eingestellt. Je nach gewünschter Schnitthöhe müssen Sie möglicherweise die Position der Mähwerkkräder ändern. Lesen Sie dazu den Abschnitt "Einstellen der Mähwerkkräder" in diesem Handbuch.

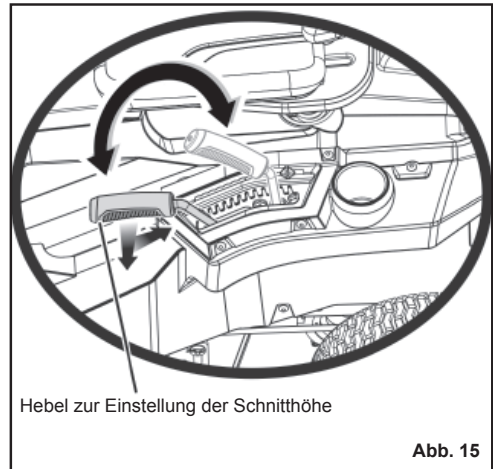
So stellen Sie die Schnitthöhe ein:

1. Halten Sie das Produkt an und schalten Sie die Messer aus.
2. Drehen Sie den Startschlüssel in die Position OFF und ziehen Sie die Feststellbremse an.
3. Um das Mähwerk anzuheben, greifen Sie den Hebel zur Einstellung der Schnitthöhe, drücken Sie ihn nach links, um ihn aus der Aussparung zu lösen, bewegen Sie ihn zur Rückseite des Mähers und drücken Sie ihn dann nach rechts in die Aussparung, um ihn zu sichern.
4. Um das Mähwerk abzusenken, greifen Sie den Hebel zur Einstellung der Schnitthöhe, drücken Sie ihn nach links, um ihn aus der Aussparung zu lösen,

bewegen Sie ihn zur Vorderseite des Mähers und drücken Sie ihn dann nach rechts in die Aussparung, um ihn zu sichern.

⚠ WARNUNG

Halten Sie den Hebel zur Einstellung der Mähwerkhöhe beim Einstellen der Schnitthöhe fest und lassen Sie ihn erst los, wenn er in der gewünschten Aussparung gesichert ist. Wenn Sie den Hebel schnell loslassen, kann dies zu einem Einklemmen oder Ziehen der Hand des Bedieners führen.



Hebel zur Einstellung der Schnitthöhe

Abb. 15

TEMPOMAT EINSTELLEN

Siehe Abbildung 16.

Die Geschwindigkeitsregelung ermöglicht es dem Produkt, auf einer konstanten Geschwindigkeit zu bleiben, ohne dass der Bediener das Gaspedal durchtreten muss. Er sollte nur in der vorderen Position auf relativ glatten, geraden Oberflächen verwendet werden und niemals an Hängen oder in unebenem Gelände.

So stellen Sie den Tempomat ein:

Während Sie das Produkt vorwärts fahren, drücken Sie das Gaspedal, bis die gewünschte Geschwindigkeit erreicht ist.

1. Drücken Sie die Tempomat-Taste. Das Licht der Taste leuchtet auf, um anzuzeigen, dass die Geschwindigkeitsregelung aktiv ist.

2. Lassen Sie das Gaspedal los. Die Mähergeschwindigkeit sollte konstant bleiben.

So schalten Sie den Tempomat aus:

1. Tippen Sie auf das Gaspedal.
2. Lassen Sie das Bremspedal los oder drücken Sie die Tempomat-Taste erneut. Das Licht um die Tempomat-Taste erlischt, um anzuzeigen, dass der Tempomat nicht mehr aktiv ist.

- Stellen Sie sicher, dass alle Schutzvorrichtungen vorhanden sind und ordnungsgemäß funktionieren.
- Mäher von Schmutz reinigen.
- Überprüfen Sie das Sicherheitssperrsystem des seitlichen Auswurfkanals
- Testen Sie das Sicherheitssperrsystem des Bedieners.
- Stellen Sie den Sitz auf die gewünschte Position ein.
- Überprüfen Sie den Ladezustand des Akkus.

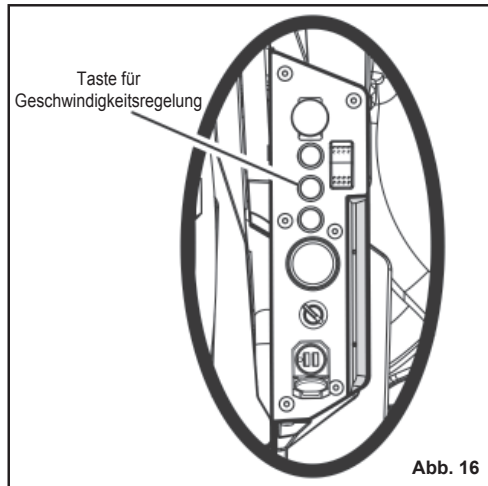


Abb. 16

VERWENDUNG DES PRODUKTS

Siehe Abbildungen 17 - 18.

⚠ WARNUNG

Räumen Sie den Bereich von umstehenden Personen, bevor Sie das Produkt in Betrieb nehmen. Wenn jemand den Mähbereich betritt, halten Sie sofort an und kehren Sie erst dann zum Mähen zurück, wenn die Umstehenden den Bereich verlassen.

Vor dem Starten des Produkts:

- Stellen Sie sicher, dass der Arbeitsbereich frei von Kindern, Umstehenden und Haustieren ist.
- Räumen Sie den Arbeitsbereich von Gegenständen frei, die von den Messern geschleudert werden können.
- Überprüfen Sie die Bremsfunktion.
- Überprüfen Sie den Reifendruck.
- Überprüfen Sie auf lockere Verschlüsse.

⚠ WARNUNG

Wenn der Ladezustand des Akkus die rote Zone auf der Batterieladeanzeige erreicht, stoppen die Messer automatisch. Kehren Sie sofort zum Ladestandort zurück und laden Sie den Mäher auf. Wenn Sie weiter mähen, während sich der Ladezustand des Akkus im roten Bereich befindet, gelangen Sie mit dem Mäher nicht mehr zum Ladebereich.

HINWEIS: Wenn der Mäher den Ladebereich nicht mehr erreicht, stellen Sie den Fahrrichtungsschalter in die neutrale Position (N) und schieben Sie den Mäher zurück zur Ladestelle.

Mähen:

1. Stellen Sie die Schnitthöhe auf die maximale Höhe ein.
2. Stecken Sie den Startschlüssel ein und drehen Sie den Schlüssel in die Position ON.
3. Lösen Sie die Feststellbremse.
4. Stellen Sie den Fahrrichtungsschalter auf Vorwärts (F) und fahren Sie zum gewünschten Mähort.

⚠ WARNUNG

Vergewissern Sie sich, dass Sie die gewünschte Fahrrichtung mit dem Fahrrichtungsschalter richtig eingestellt haben, bevor Sie das Gaspedal betätigen. Andernfalls können Sie den Mäher in eine unbeabsichtigte Richtung fahren, was zum Verlust der Kontrolle oder zu Unfällen mit Todesfolge, schweren Körperverletzungen oder Sachschäden führen kann.

5. Halten Sie den Mäher an, ziehen Sie die Feststellbremse an und drehen Sie den Startschlüssel in die AUS-Position.
6. Stellen Sie das Mähwerk in die gewünschte Position.
7. Drehen Sie den Startschlüssel in die Position ON und lösen Sie die Feststellbremse.
8. Ziehen Sie den Knopf zur Messeraktivierung nach oben, um die Messer zu aktivieren, und treten Sie auf das Gaspedal, um den Rasen zu mähen.

⚠ WARNUNG

Seien Sie vorsichtig, wenn Sie über Schotterwege oder Einfahrten fahren. Halten Sie vor dem Überqueren die Messer an und stellen Sie das Mähwerk auf die maximale Höhe, um die Gefahr eines Abpralls zu minimieren. Fahren Sie langsam, um Traktions- und Kontrollverlust zu vermeiden.

⚠ WARNUNG

Versuchen Sie nicht, die Arbeitsrichtung zu ändern, während der Mäher in Bewegung ist. Halten Sie immer an, bevor Sie die Richtung des Mähers ändern.

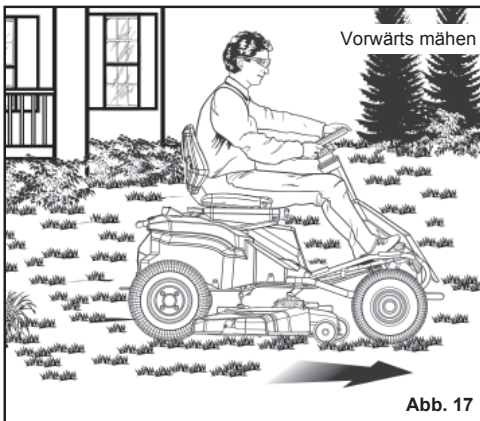


Abb. 17

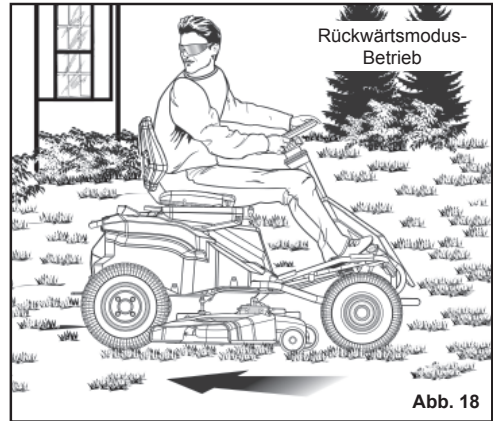


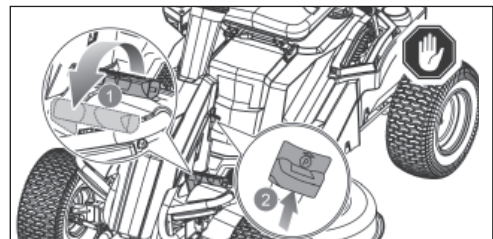
Abb. 18

Rückwärtsmodus-Betrieb:

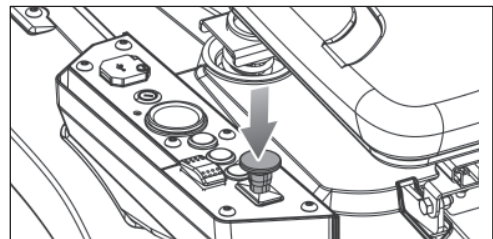
⚠ WARNUNG

Das Produkt gibt einen konstanten Piepton ab, wenn es rückwärts mit ausgeschaltetem Messer oder im Rückwärtsmodus betrieben wird.

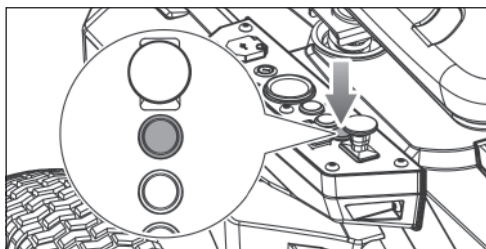
1. Treten Sie auf das Bremspedal und bringen Sie das Produkt zum Stillstand.



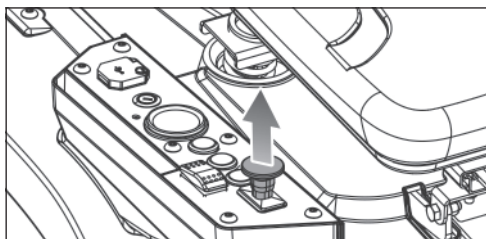
2. Drücken Sie den Knopf zur Messeraktivierung nach unten, um die Messer auszuschalten.



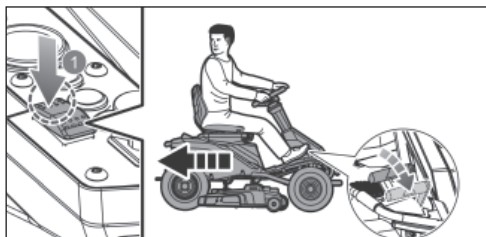
3. Drücken Sie die Rückwärtstaste.



4. Ziehen Sie den Knopf zur Messeraktivierung nach oben.



5. Stellen Sie den Fahrrichtungsschalter in die Rückwärtsposition (R). Gaspedal langsam treten und nach Bedarf rückwärts mähen.



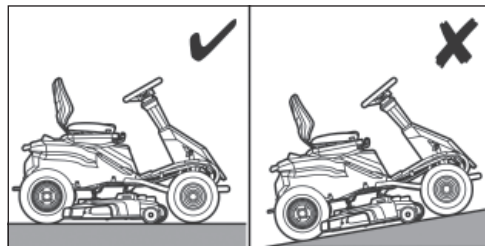
⚠ WARNUNG

Mähen Sie nicht rückwärts, es sei denn, dies ist unbedingt erforderlich. Schauen Sie vor und während des Rückwärtsfahrens immer nach unten und hinten, um sicherzustellen, dass keine Kinder, Umstehenden oder Haustiere den Mähbereich betreten. Beachten Sie, dass der Rückwärtsmodus aktiviert ist, wenn die Taste für den Rückwärtsmodus rot leuchtet und ein konstanter Piepton ertönt. Denken Sie daran, dass Unachtsamkeit nur einen Sekundenbruchteil ausreicht, um Tod oder schwere Verletzungen zu verursachen.

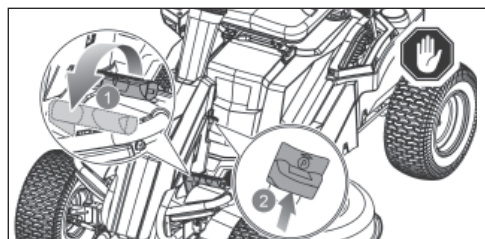
Wenn das Mähen beendet ist:

⚠ WARNUNG

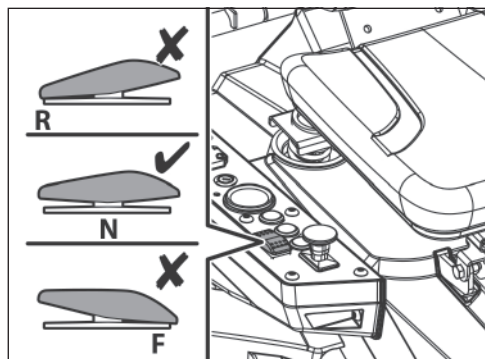
Halten Sie das Produkt auf einer ebenen Fläche an. Stoppen Sie das Produkt nicht an Hängen.



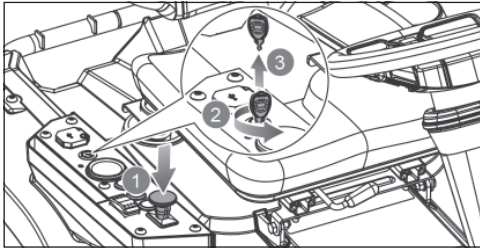
1. Treten Sie auf das Bremspedal und ziehen Sie die Feststellbremse an.



2. Stellen Sie den Fahrrichtungsschalter in die Neutralstellung (N).



3. Drücken Sie den Knopf zur Messeraktivierung nach unten, um die Messer auszuschalten. Drehen Sie den Startschlüssel in die Position OFF und ziehen Sie den Schlüssel ab.



⚠️ WARNUNG

Wenn das Produkt nach Verlassen des Sitzes einen Piepton ausgibt, vergewissern Sie sich, dass die Feststellbremse angezogen ist und der Schlüssel abgezogen wurde. Wenn die Feststellbremse nicht angezogen wird, kann sich das Produkt bewegen, und der gesteckte Schlüssel kann zu einer unbefugten Verwendung führen, die zu schweren Verletzungen führen kann.

HINWEIS: Der Rückwärtsmodus wird jedes Mal zurückgesetzt, wenn der Hauptschalter auf OFF gestellt wird.

TIPS ZUM RASENMÄHEN

Siehe Abbildung 19.

- Halten Sie die Mähmesser scharf.
- Stellen Sie sicher, dass der Rasen frei von Steinen, Stöcken, Drähten, Spielzeug, Nüssen, Ästen und anderen Gegenständen ist, die die Mähmesser oder den Motor beschädigen könnten. Mähen Sie nicht über Grundstücksmarkierungen oder andere Metallpfosten. Solche Gegenstände können die Messer beschädigen oder versehentlich vom Produkt in eine beliebige Richtung geworfen werden und zu schweren Verletzungen des Bedieners und anderer Personen führen.
- Schneiden Sie für einen gesunden Rasen immer ein Drittel oder weniger der Grashöhe ab.

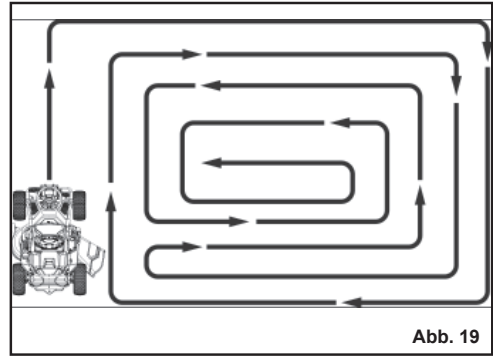


Abb. 19

- Wenn Sie große Flächen mähen, mähen Sie zunächst nach rechts, damit Schnittgut weg von Sträuchern, Zäunen und Einfahrten abgegeben wird. Mähen Sie nach ein oder zwei Runden in die entgegengesetzte Richtung und biegen Sie nach links ab, bis Sie fertig sind.
- Mähen Sie so, dass ausgeworfenes Schnittgut in Richtung der bereits geschnittenen Rasenfläche ausgeworfen wird.
- Reduzieren Sie beim Mähen von schwerem Gras die Geschwindigkeit, um ein effektiveres Mähen und einen ordnungsgemäßen Auswurf des Schnittguts zu gewährleisten.
- Schneiden Sie kein nasses Gras. Nasses Gras haftet an der Unterseite des Mähwerks und verhindert das ordnungsgemäße Mulchen von Grasabfällen.
- Neues oder schweres Gras kann einen schmaleren Schnitt oder größere Schnitthöhe erfordern.
- Halten Sie das Mähwerk und den seitlichen Auswurfkanal sauber. Entfernen Sie Grasreste, Blätter, Schmutz und andere angesammelte Rückstände vor und nach jedem Gebrauch. Spritzen Sie das Produkt zum Reinigen nicht mit einem Gartenschlauch ab.

HINWEIS: Halten Sie das Produkt immer an, lassen Sie die Messer vollständig anhalten und ziehen Sie den Startschlüssel ab, bevor Sie die Unterseite des Produktes reinigen.

BETRIEB BEI GEFÄLLE

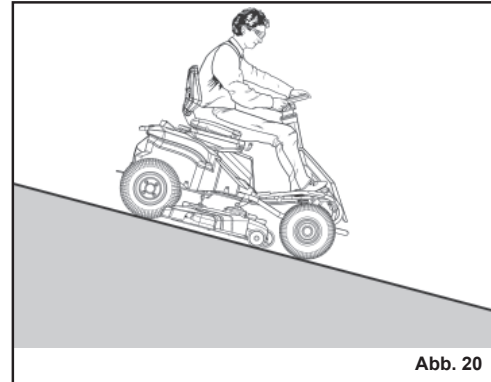
Siehe Abbildung 20.

⚠️ WARNUNG

Steigungen sind ein wichtiger Faktor im Zusammenhang mit Kontrollverlust und Sturzunfällen, die zu schweren oder tödlichen Verletzungen führen können. Wenn Sie bei Gefällen Rasen mähen ist Vorsicht geboten. Wenn Sie den Hang nicht hinunterfahren können oder sich unwohl fühlen, mähen Sie die Fläche nicht. Verwenden Sie das Produkt niemals an steilen Hängen mit mehr als 15° Gefälle. Erstellen Sie eine Kopie oder schneiden Sie die "Hangführung" am Ende dieses Handbuchs aus, um festzustellen, ob Ihr Hang für einen sicheren Betrieb zu steil ist.

- Auf und ab mähen; nicht quer über den Hang.
- Mähen Sie kein nasses Gras. Nasses Gras kann dazu führen, dass die Reifen an Hängen die Traktion verlieren oder rutschen, obwohl die Bremsen ordnungsgemäß funktionieren.
- Passen Sie auf bei Löchern, Fahrrinnen, Steinen und versteckten Objekte oder Hügeln, sie bergen Rutschgefahr. Hohes Gras kann Hindernisse bergen. Entfernen Sie alle Objekte, wie zum Beispiel Steine und Äste, welche von den Schneideelementen in die Luft geworfen werden können.
- Mähen Sie nicht in der Nähe von Abhängen, Gräben oder Böschungen.
- Fahren Sie langsam und nehmen Sie keine plötzlichen Geschwindigkeits- oder Richtungsänderungen vor.
- Vermeiden Sie nach Möglichkeit das Anhalten am Hang. Wenn ein Anhalten unvermeidlich ist, muss die Feststellbremse angezogen werden. Verwenden Sie beim Neustart die niedrigstmögliche Geschwindigkeit. Wenn Sie abbiegen müssen, gehen Sie beim Richtungswechsel äußerst vorsichtig vor und wenden Sie sich immer bergab.
- Versuchen Sie niemals, den Mäher am Hang zu stabilisieren, indem Sie Ihren Fuß während des Betriebs auf den Boden stellen.

- Betätigen Sie immer die Bremsen, wenn Sie den Hang hinunterfahren. Versuchen Sie nicht, den Mäher im Leerlauf bergab rollen zu lassen.
- Wenn die Reifen während der Fahrt am Hang an irgendeiner Stelle die Traktion verlieren, schalten Sie die Messer aus und fahren Sie langsam und vorsichtig den Hang hinunter.



TRANSPORT DES PRODUKTS

Siehe Abbildung 21.

⚠️ WARNUNG

Seien Sie vorsichtig, wenn Sie das Produkt von oder auf einen Anhänger oder LKW fahren. Treten Sie nach Bedarf auf das Bremspedal, um die Geschwindigkeit zu regeln. Der Mäher rollt frei, wenn er auf einer geneigten Fläche bewegt wird, ohne auf das Bremspedal zu treten oder die Feststellbremse zu betätigen. Die Nichtbeachtung dieser Anweisungen kann zum Verlust der Kontrolle und zum Tod, zu schweren Körperverletzungen oder zu Sachschäden führen.

⚠️ WARNUNG

Gehen Sie beim Laden oder Entladen des Produkts auf einen Anhänger vorsichtig vor. Stellen Sie sicher, dass das Mähwerk in die höchste Position angehoben ist, damit es nicht an der Rampe hängen bleibt. Die Räder des Produkts können von der Rampe oder dem Anhänger abrutschen und dazu führen, dass das Produkt schwenkt und umkippt. Dies kann zu Quetschungen, zum Tod oder zu schweren Verletzungen führen.

1. Stellen Sie das Produkt auf einer ebenen Fläche ab.
2. Stellen Sie das Mähwerk auf die maximale Höhe ein.
3. Positionieren und sichern Sie eine Rampe am Anhänger gemäß den Anweisungen des Herstellers.

HINWEIS: Verwenden Sie eine Laderampe mit voller Breite, die mindestens 30,5 cm breiter als der Mäher ist, um das Risiko zu minimieren, dass die Räder von der Seite der Rampe abrutschen.

4. Fahren Sie das Produkt langsam auf die Rampe und in den Anhänger.
5. Stellen Sie das Mähwerk auf die niedrigste Höhe.
6. Schalten Sie das Produkt aus, ziehen Sie die Feststellbremse an und ziehen Sie den Startschlüssel ab.
7. Sichern Sie das Produkt bei Bedarf mit Bändern oder Kabeln, um Bewegungen während des Transports zu vermeiden.

⚠️ WARNUNG

Um ein versehentliches Starten oder Bewegen des Produkts zu vermeiden, das zu schweren Verletzungen führen kann, ziehen Sie immer den Startschlüssel ab und ziehen Sie die Feststellbremse an, wenn Sie das Produkt transportieren.

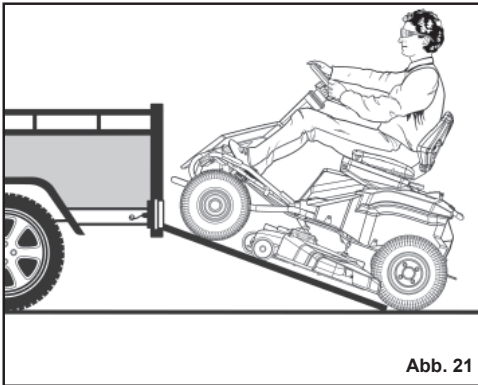


Abb. 21

DAS GERÄT WARTEN

⚠️ WARNUNG

Schalten Sie das Produkt aus, ziehen Sie die Feststellbremse an und ziehen Sie den Startschlüssel ab. Stellen Sie sicher, dass alle beweglichen Teile zum Stillstand gekommen sind, bevor Sie Wartungsarbeiten durchführen, um ein versehentliches Starten und ernsthafte Verletzungen zu vermeiden.

⚠️ WARNUNG

Tragen Sie eine Schutz- oder Sicherheitsbrille mit Seitenschutz. Die Missachtung dieser Anweisung kann dazu führen, dass Fremdkörper in Ihre Augen geschleudert werden und schwere Augenverletzungen verursachen.

⚠️ WARNUNG

Die Folgen unsachgemäßer Wartung können dazu führen, dass das Produkt oder die Sicherheitsfunktionen nicht ordnungsgemäß funktionieren, wodurch die Gefahr schwerer Verletzungen erhöht wird. Sorgen Sie dafür, dass das Produkt professionell gewartet und sicher ist.

⚠️ WARNUNG

Beim Service dürfen Sie nur originale Ersatzteile benutzen. Die Benutzung ungeeigneter Ersatzteile könnte schweren Sachschaden entstehen lassen.

⚠️ WARNUNG

Halten Sie sich beim Anziehen mittels Drehmoment-Schlüssel strikt an die Spezifikationen der Drehmomente. Nichtbefolgung kann zu schweren Verletzungen führen.

⚠️ WARNUNG

Überprüfen Sie das gesamte Produkt vor jeder Benutzung auf beschädigte, fehlende oder lose Teile, wie Schrauben, Bolzen, Muttern, Deckel usw. Schrauben Sie alle Befestigungen und Deckel fest und verwenden Sie dieses Produkt nicht, bis alle fehlenden oder beschädigten Teile ersetzt wurden. Kontaktieren Sie einen autorisierten Kundendienst.

Generelle wartungsarbeiten

Vermeiden Sie beim Reinigen der Plastikteile den Einsatz von Lösungsmitteln. Die meisten Plastikteile können durch den Gebrauch der handelsüblichen Solventien beschädigt werden, was sich auch auf ihre Leistung auswirken kann. Verwenden Sie saubere Tücher um Verunreinigungen wie Staub, Öl, Schmierstoffe usw. zu entfernen.

⚠️ WARNUNG

Lassen Sie niemals Bremsflüssigkeiten, Benzine, Produkte auf Erdölbasis, Rostlöser usw. mit den Plastikteilen in Kontakt geraten. Chemikalien können Plastik beschädigen, aufweichen oder zerstören, was zu schweren Verletzungen führen kann.

Entfernen Sie alle Gras- und Laubablagerungen an oder um die Motorabdeckung. Wischen Sie den Rasenmäher mit einem sauberen Tuch ab. Benutzen Sie kein Wasser.

EINSTELLEN DER MÄHWERKRÄDER

Siehe Abbildung 22.

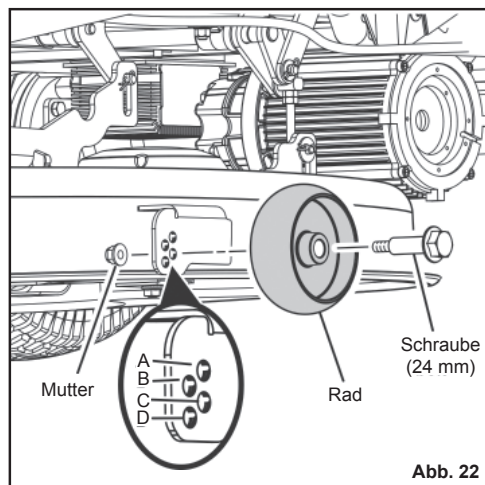
Die Mähwerkräder sollten etwa 1,3 cm über dem Boden positioniert werden, wenn sich der Mäher auf der gewünschten Schnitthöhe befindet. Dies minimiert in den meisten Situationen die Wahrscheinlichkeit, dass der Rasen abgeschürft wird. Im Auslieferungszustand befinden sich die Räder in Position A.

So stellen Sie die Mähwerkräder ein:

1. Stellen Sie das Produkt auf einer ebenen Fläche ab und ziehen Sie die Feststellbremse an.
2. Schalten Sie das Produkt aus und entfernen Sie den Startschlüssel. Stellen Sie sicher, dass alle bewegliche Teile vollständig angehalten sind.
3. Stellen Sie das Mähwerk auf die gewünschte Höhe ein.
4. Entfernen Sie die Mutter und die Schraube, mit denen das Mähwerkrad befestigt ist.
5. Bewegen Sie das Rad in die bevorzugte Position. Verfügbare Lochpositionen sind:
 - 3,81 cm. (1,5 in.) (A)
 - 4,44 cm (1,75 in.) (B)
 - 5,08 cm. (2 in.) (C)
 - 5,72 cm (2,25 in.) (D)

6. Setzen Sie die Schraube und Mutter wieder ein und ziehen Sie sie fest an. Ziehen Sie die Mutter mit 5,42–8,13 Nm an.

Wiederholen Sie die Schritte mit dem restlichen Mähwerkrad und stellen Sie sicher, dass beide Räder in der gleichen Position installiert sind.



ENTFERNEN DES MÄHWERKS

Siehe Abbildung 23.

Das Mähwerk kann vom Mäher abgenommen werden, um den Zugang zu den Messern beim Wechseln zu erleichtern.

1. Vergewissern Sie sich, dass sich der Fahrtrichtungsschalter in der Neutralstellung (N) befindet und der Knopf zur Knopf zur Messeraktivierung nach unten zeigt.
2. Schalten Sie das Produkt aus, ziehen Sie die Feststellbremse an und ziehen Sie den Startschlüssel ab. Stellen Sie sicher, dass alle bewegliche Teile vollständig angehalten sind.
3. Trennen Sie die Kabel, die das Mähwerk mit dem Mäher verbinden.
4. Stellen Sie das Mähwerk auf die niedrigste Höhe.
5. Entfernen Sie die 4 Sicherungssplinte und Unterlegscheiben, mit denen das Mähwerk befestigt ist.
6. Schieben Sie das Mähwerk unter dem Mäher hervor.

Führen Sie die Schritte in umgekehrter Reihenfolge aus, um das Mähwerk wieder am Mäher anzubringen.

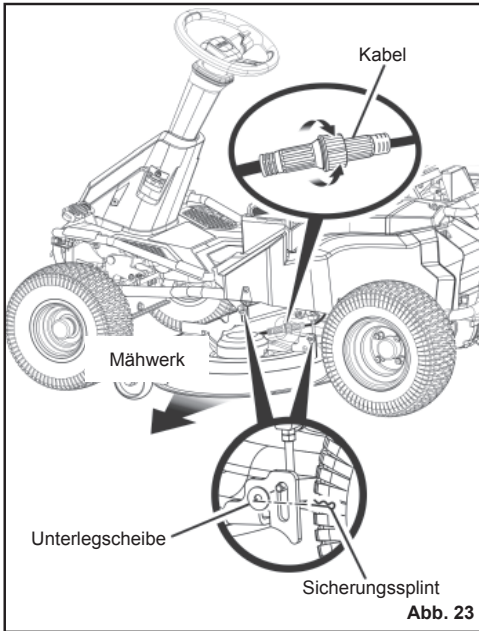


Abb. 23

AUSTAUSCH DER SCHNEIDELEMENTE

Siehe Abbildungen 24 - 26.

⚠️ WARNUNG

Verwenden Sie nur Original-Ersatzmesser und Messerschrauben, die vom Hersteller Ihres Aufsitzmähers genehmigt wurden. Die Verwendung von nicht zugelassenen Messern und Messerschrauben ist gefährlich und kann Ihren Aufsitzmäher beschädigen.

1. Vergewissern Sie sich, dass sich der Fahrtrichtungsschalter in der Neutralstellung (N) befindet und der Messereingriffsknopf nach unten zeigt.
2. Schalten Sie das Produkt aus, ziehen Sie die Feststellbremse an und ziehen Sie den Startschlüssel ab.
3. Stellen Sie das Mähwerk auf die maximale Höhe ein, um Zugang zu den Messern zu erhalten.

HINWEIS: Heben Sie den Mäher gegebenenfalls an, indem Sie einen Wagenheber und Wagenheberständer verwenden, oder entfernen Sie das Mähwerk wie im vorherigen Abschnitt beschrieben, um Zugang zu den Messern zu erhalten.

⚠️ WARNUNG

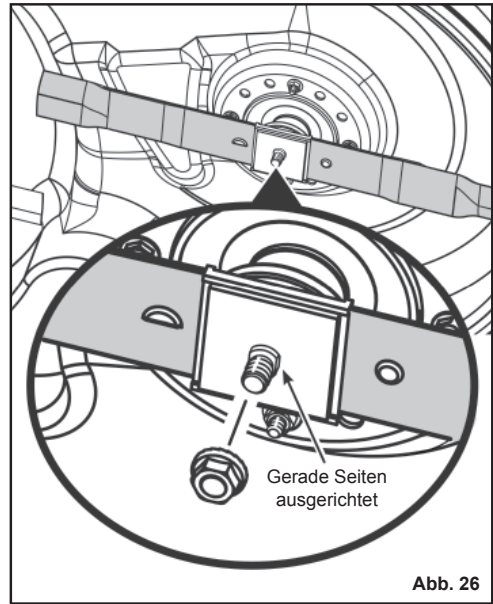
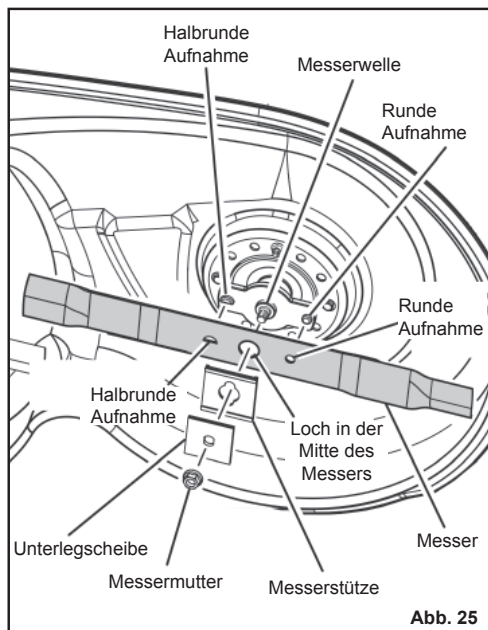
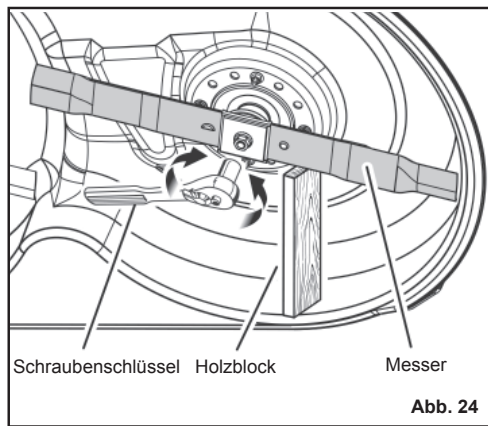
Wenn Sie den Mäher anheben, um Zugang zu den Messern zu erhalten, vergewissern Sie sich, dass der Mäher ordnungsgemäß gesichert und die Feststellbremse angezogen ist, bevor Sie fortfahren. Wenn der Rasenmäher nicht ordnungsgemäß gesichert wird, kann er herunterfallen und zum Tod oder zu schweren Verletzungen führen.

4. Stecken Sie ein Stück Holz zwischen dem Messer und dem Gehäuse um die Schneideelemente zu fixieren.
5. Lockern Sie das Messer, indem Sie die Messermutter mit einem 15 mm Schraubenschlüssel oder Nuss (nicht im Lieferumfang) gegen den Uhrzeigersinn drehen (von unten gesehen).
6. Entfernen Sie die Messermutter, Unterlegscheibe, den Messerstütze und das Messer.
7. Setzen Sie das neue Messer auf die Welle entsprechend der Aufnahme. Stellen Sie sicher, dass das Messer richtig positioniert ist, mit der Messerwelle durch das mittlere Loch des Messers und die zwei Messeraufnahmen sich in den entsprechenden Löchern befinden. Vergewissern Sie sich, dass es richtig installiert ist mit den runden Enden zum Mähergehäuse hin und nicht zum Untergrund hin. Bei richtigem Sitz sollte das Messer flach auf der Aufnahme anliegen.
8. Setzen Sie die Messerstütze und die Unterlegscheibe wieder ein und achten Sie darauf, dass die flachen Seiten an jedem Stück ausgerichtet sind und die geraden Seiten der Öffnung der Unterlegscheibe mit den geraden Seiten der Messerwelle ausgerichtet sind.
HINWEIS: Vergewissern Sie sich, dass alle Teile in der Reihenfolge ausgetauscht wurden, in der sie entfernt wurden.
9. Schrauben Sie die Messermutter auf die Welle und ziehen Sie sie handfest an.
10. Ziehen Sie die Mutter im Uhrzeigersinn mit einem Drehmomentschlüssel (nicht im Lieferumfang) an, um sicherzugehen, dass der Bolzen fest sitzt. Das empfohlene Anziehdrehmoment der Messermutter ist 68 - 74 Nm (600-650 in. lbs.)

⚠ WARNUNG

Stellen Sie sicher, dass das Messer richtig sitzt und die Messermutter mit den oben angegebenen Drehmomenten festgezogen ist. Wenn das Messer nicht richtig befestigt wird, kann sie sich lösen und zu ernsthaften Verletzungen führen.

Wiederholen Sie die Schritte bei Bedarf mit der zweiten Klinge.



REIFENWARTUNG

Das Produkt ist mit schlauchlosen Reifen mit folgenden Abmessungen ausgestattet:

- Vorderreifen: 38,1x15,2x15,2 cm
- Hinterreifen: 40,6x16,5x20,3 cm

Reifenluftdruck

Überprüfen Sie vor dem Gebrauch den Luftdruck in allen Reifen. Unsachgemäßer Luftdruck beeinträchtigt das Fahrverhalten, das Lenkverhalten, die Traktion, die Lebensdauer der Reifen, das Schneiden auf gleicher Höhe und den Bedienerkomfort. Stellen Sie sicher, dass die Reifen den empfohlenen Druck (1,6 bar) haben.

HINWEIS: Der Reifendruck sollte nur bei kalten Reifen gemessen oder eingestellt werden.

⚠ WARNUNG

Überprüfen Sie den Reifendruck beim Aufpumpen sorgfältig. Zu viel Luft im Reifen kann zum Platzen des Reifens und zu schweren Verletzungen führen.

⚠️ WARNUNG

Die Aufrechterhaltung des korrekten Luftdrucks in den Reifen ist sehr wichtig. Ein zu geringer Druck kann dazu führen, dass sich der Reifen von der Felge dreht. Zu viel Druck kann zum Platzen des Reifens führen. Die Nichtbeachtung des korrekten Luftdrucks in den Reifen kann zu Problemen beim Betrieb und der Stabilität des Mähers führen und schwere Verletzungen verursachen.

REIFENREPARATUR

Wenn aufgrund eines Einstichs eine Undichtigkeit oder ein platter Reifen auftritt, kann der Reifen mit einem Stopfen repariert werden. Wenn der Schaden von einem Schnitt herrührt oder wenn der Reifenschaden nicht mit einem Stopfen repariert werden kann, tauschen Sie den Reifen aus.

AUSTAUSCHS DES REIFENS

Wenn die Reifen abgenutzt sind, verringert sich die Traktion des Mähers, was die Wahrscheinlichkeit eines Unfalls erhöht. Tauschen Sie die Reifen aus, wenn die Profiltiefe 4 mm oder weniger beträgt oder der Reifen beschädigt ist. Verwenden Sie immer Original-Ersatzreifen. Die Verwendung ungeeigneter Reifen am Produkt kann zum Verlust der Kontrolle und zu schweren Verletzungen führen.

Lassen Sie die Reifen nur von einer autorisierten Servicestelle ersetzen.

BREMSEN EINSTELLEN

Siehe Abbildung 27.

Die Fähigkeit, den Mäher ordnungsgemäß anzuhalten, ist für die Mähersicherheit von entscheidender Bedeutung. Wenn der Mäher vor dem Anhalten weiter fährt, wenn Sie auf das Bremspedal treten, müssen die Bremsen möglicherweise eingestellt werden.

Testen:

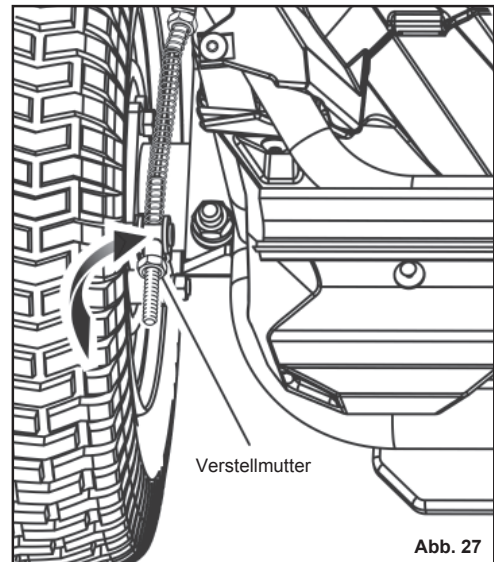
1. Stellen Sie das Produkt auf einer ebenen Fläche ab und ziehen Sie die Feststellbremse an.
2. Stellen Sie den Fahrtrichtungsschalter in die Neutralstellung (N).

3. Stellen Sie sich hinter den Rasenmäher und versuchen Sie ihn nach vorne zu schieben. Wenn sich die Hinterreifen drehen, müssen die Bremsen angezogen werden.

Anziehen:

1. Suchen Sie die Bremseinstellmutter an der Innenseite der Hinterräder.
2. Drehen Sie jede Einstellmutter eine Viertelumdrehung im Uhrzeigersinn und versuchen Sie dann erneut, den Mäher zu schieben.
3. Drehen Sie jede Mutter eine Viertelumdrehung weiter und testen Sie solange, bis sich der Mäher durch Drücken nicht mehr bewegen lässt.

Testen Sie nach der endgültigen Einstellung die Bremsen, indem Sie den Mäher mit normaler Geschwindigkeit auf ebenem Boden fahren, um sicherzustellen, dass der Mäher schnell stoppt, wenn das Bremspedal betätigt wird.

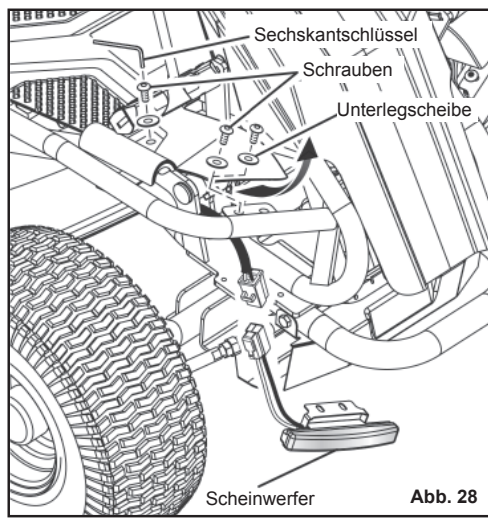


AUSWECHSELN DER SCHEINWERFER

Siehe Abbildung 28.

Wenden Sie sich an ein autorisiertes Servicecenter, um einen neuen Scheinwerfer zu bestellen.

1. Stellen Sie das Produkt auf einer ebenen Fläche ab und ziehen Sie die Feststellbremse an.
2. Schalten Sie das Produkt aus und entfernen Sie den Startschlüssel.
3. Entfernen Sie die Sechskantschraube und die Unterlegscheibe, mit denen die Bodenplatte des Mähers befestigt ist, und legen Sie sie beiseite.
4. Heben Sie die Bodenplatte leicht an, um an die beiden Sechskantschrauben und Unterlegscheiben zu gelangen, mit denen der Scheinwerfer befestigt ist. Entfernen Sie die Schrauben und Unterlegscheiben legen Sie sie beiseite.
5. Den alten Scheinwerfer abnehmen und entsorgen.
6. Schließen Sie den neuen Scheinwerfer an und ziehen Sie die Unterlegscheiben und Schrauben wieder fest an.
7. Senken Sie die Bodenplatte und bringen Sie die Unterlegscheibe und die Schraube wieder an, um ihn zu sichern.



NIVELLIERUNG DES MÄHWERKS

Siehe Abbildungen 29 - 30.

Wenn Ihr Rasen nach dem Mähen ungleichmäßig geschnitten erscheint, muss das Mähwerk möglicherweise angepasst werden. Bevor Sie entscheiden, dass das Mähwerk nivelliert werden muss, vergewissern Sie sich, dass die Reifen

beim Mähen ordnungsgemäß auf den empfohlenen Reifendruck aufgepumpt sind. Zu stark gefüllte oder zu wenig gefüllte Reifen können das Erscheinungsbild des Schnitts beeinträchtigen, und ein ordnungsgemäßes Aufpumpen der Reifen kann alles sein, was zur Behebung ungleichmäßiger Schnittprobleme erforderlich ist.

HINWEIS: Überprüfen Sie immer die Ausrichtung von Seite zu Seite und stellen Sie sie nach Bedarf ein, bevor Sie die Vorder- und Rückseite messen und einstellen.

Vor dem Beginn:

1. Vergewissern Sie sich, dass sich der Fahrtrichtungsschalter in der Neutralstellung (N) befindet und der Knopf zur Messeraktivierung nach unten zeigt.
2. Schalten Sie das Produkt aus, ziehen Sie die Feststellbremse an und ziehen Sie den Startschlüssel ab.
3. Stellen Sie das Mähwerk auf die maximale Höhe ein.

So nehmen Sie eine Anpassung von Seite zu Seite vor:

1. Positionieren Sie die Messer so, dass die Enden zu den Seiten des Mähers zeigen.
 2. Messen Sie an der Außenkante jedes Messers den Unterschied zwischen der Unterkante der Messerseite und dem Boden. Wenn der Abstand zwischen den beiden Seiten größer als 0,32 cm (1/8 Zoll) ist eine Einstellung von Seite zu Seite erforderlich.
 3. Lösen Sie an der Seite, die Sie einstellen möchten, die Kontermuttern wie abgebildet.
 4. Drehen Sie die Verstellmutter im Uhrzeigersinn, um die Seite des Mähwerks anzuheben, oder gegen den Uhrzeigersinn, um sie abzusenken. Jede volle Umdrehung der Verstellmutter ändert die Mähwerkhöhe um ca. 0,48 cm (3/16 Zoll).
- HINWEIS:** Wenn Sie die Seite anheben, müssen Sie zuerst die obere Verstellmutter drehen. Beim Absenken zuerst die untere Mutter drehen.

- Messen Sie den Abstand zwischen Messern und Boden erneut. Weiter einstellen und messen, bis der Unterschied auf jeder Seite 0,32 cm beträgt (1/8 Zoll) oder weniger.
- Fahren Sie mit der Einstellung von vorne nach hinten fort oder ziehen Sie die Kontermuttern wieder fest.

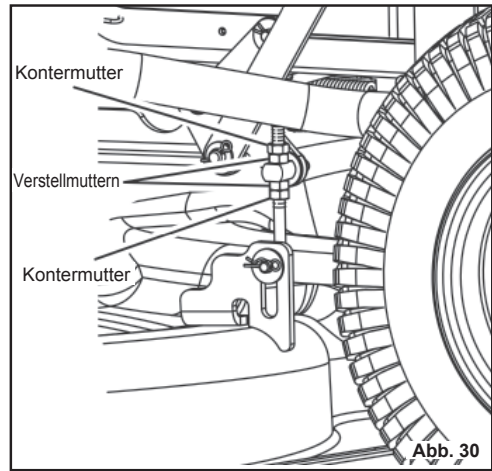
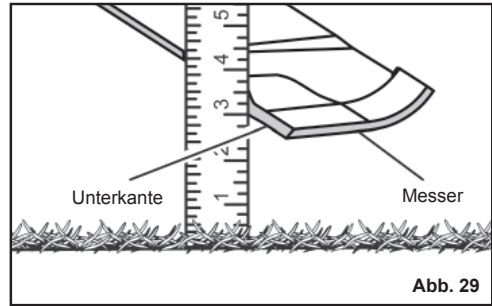
So nehmen Sie eine Anpassung von vorne nach hinten vor:

HINWEIS: Richten Sie das Mähwerk immer seitlich aus, bevor Sie eine Einstellung von vorne nach hinten vornehmen.

- Positionieren Sie die Messer in der Nähe des seitlichen Auswurfkanals, sodass die Enden jetzt zur Vorder- und Rückseite des Mähers zeigen.
- Messen Sie den Abstand von der Messerspitze zum Boden. Für beste Ergebnisse sollte die vordere Spitze des Messers 0,32 cm bis 0,95 cm niedriger sein als die hintere Spitze.
- Wenn eine Einstellung von vorne nach hinten erforderlich ist, drehen Sie die Verstellmutter im Uhrzeigersinn, um die Rückseite des Mähwerks anzuheben, oder gegen den Uhrzeigersinn, um sie abzusenken. Jede volle Umdrehung der Verstellmutter ändert die Mähwerkhöhe um ca. 0,32 cm (1/8 Zoll).

HINWEIS: Achten Sie darauf, die Verstellmutter auf beiden Seiten gleichmäßig zu drehen, um ein erneutes Hin- und Herbewegen der Messer zu vermeiden.

- Messen Sie den Abstand zwischen Messer und Boden erneut, um sicherzustellen, dass die vordere Spitze 0,32 cm bis 0,95 cm niedriger als die hintere Spitze ist. Wenn nicht, fahren Sie mit der Einstellung und Messung fort, bis das Ergebnis vorliegt.
- Ziehen Sie die Kontermuttern wieder an, ohne die Verstellmutter zu bewegen, um die Verstellmutter zu sichern.



ERSETZEN DES AKKUS

Siehe Abbildungen 31 - 36.

HINWEIS: Verwenden Sie nur RYOBI-Aufsitzmäher-Bleiakkus, Teilenummer: 5131042607.

Der Mäher wird mit vier in Reihe geschalteten 12-Volt-Akkus betrieben. Wenn Sie eine oder mehrere Akkus ersetzen, ersetzen Sie diese immer durch Akkus desselben Typs mit gleicher Spannung und Kapazität.

⚠️ WARNUNG

Verwenden Sie zum Austauschen nur Original-Blei-Säure-Akkus.

Mischen Sie niemals verschiedene Marken und Größen von Akkus der Serie. Andernfalls können die Akkus beschädigt und der Rasenmäher beschädigt werden.

⚠️ WARNUNG

Akkus nicht öffnen oder beschädigen. Freigesetztes Elektrolyt ist ätzend und kann zu einer Schädigung von Augen oder Haut führen. Es kann bei Verschlucken toxisch wirken.

Verbrennen Sie den Akku nicht. Der Akku könnte explodieren. Lesen Sie die örtlichen Vorschriften über mögliche spezielle Anweisungen zur Entsorgung.

Halten Sie den nicht benutzten Akku fern von Büroklammern, Münzen, Schlüsseln, Nägeln, Schrauben oder anderen kleinen Metallgegenständen, die eine Überbrückung der Kontakte verursachen könnten. Ein Kurzschließen der Akkupole kann Funken, Verbrennungen, Feuer oder eine Explosion verursachen.

Gehen Sie vorsichtig mit den Akkus um, damit der Akku nicht mit leitenden Materialien wie Ringen, Armbändern und Schlüsseln kurzgeschlossen wird. Der Akku oder der Leiter können überhitzen und Verbrennungen verursachen.

1. Stellen Sie das Produkt auf einer ebenen Fläche ab und ziehen Sie die Feststellbremse an.
2. Schalten Sie das Produkt aus und entfernen Sie den Startschlüssel.
3. Kippen Sie den Sitz des Mähers um.
4. Drücken Sie auf die beiden Laschen an jeder Seite der Kabelabdeckung, heben Sie die Abdeckung an und drehen Sie sie zur Seite.
5. Entfernen Sie die Sechskantschraube, mit der das Akkufach befestigt ist, und legen Sie sie beiseite.
6. Ziehen Sie den Akku-Schnellverbinder-Stecker ab. Dieser Stecker verbindet die Akkus mit dem Mäher.
7. Entfernen Sie die vier Schrauben, mit denen der Akkufachdeckel befestigt ist.
8. Ziehen Sie den Stecker des Thermistors ab. Der Stecker verbindet die Akkus mit dem Ladeanschluss.
9. Entfernen Sie die beiden Flanshmutter und Flanschschrauben, mit denen die Vorderseite des Akkufachs befestigt ist.
10. Ziehen Sie das Akkufach heraus und legen Sie das Ende außerhalb des Mähers auf eine stabile Oberfläche, die ein Mindestgewicht von 136,1 kg tragen kann.

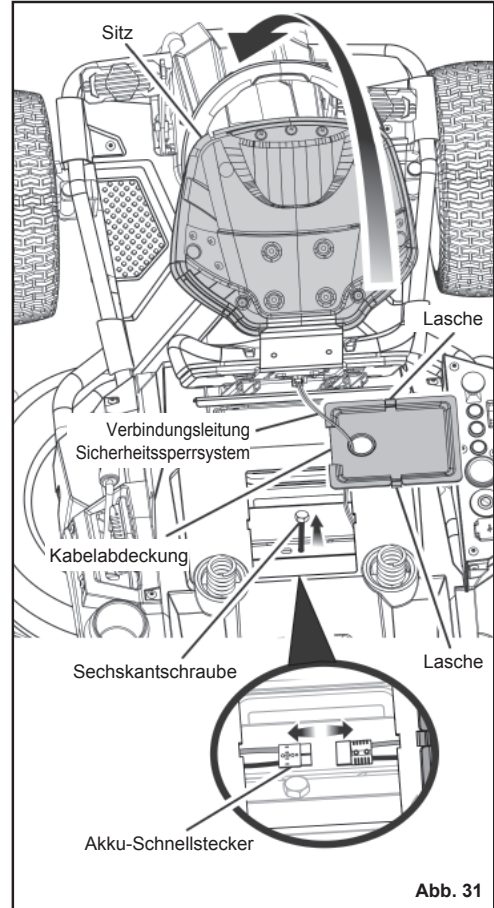


Abb. 31

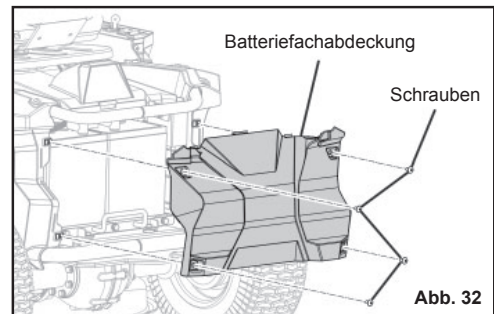
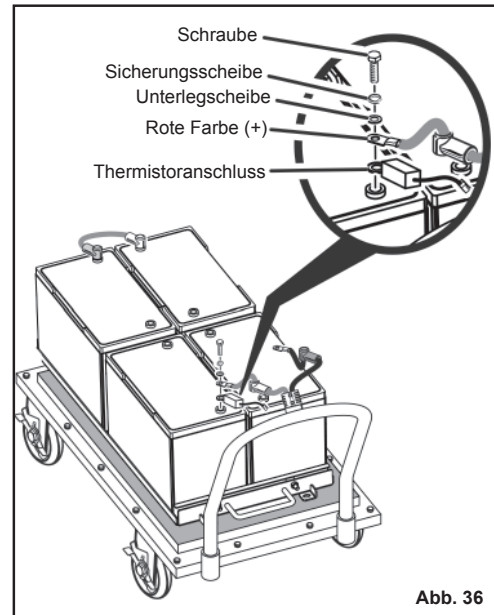
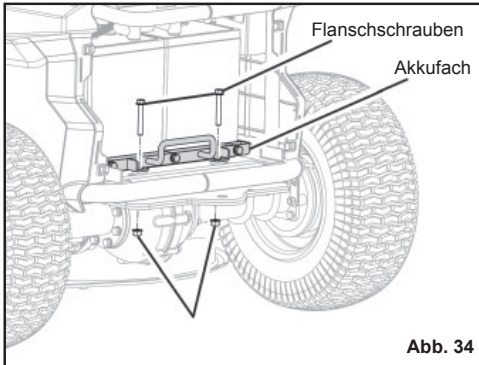
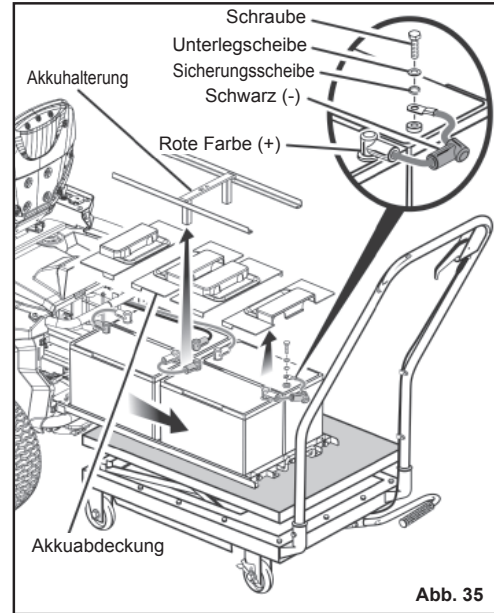
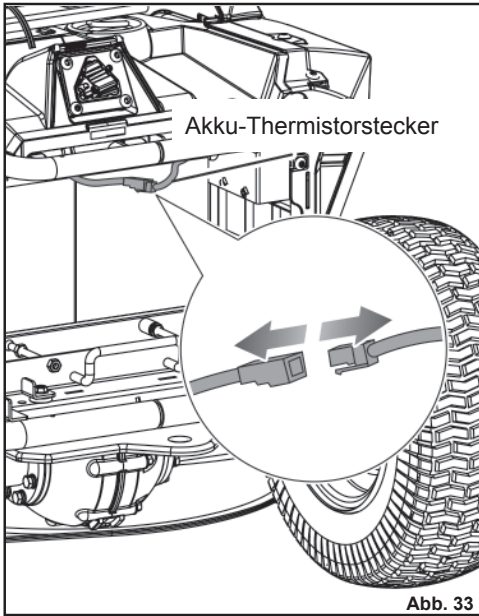


Abb. 32



⚠️ WARNUNG

Das Akkufach ist sehr schwer und zum Herausziehen sind mindestens zwei Personen erforderlich. Wir empfehlen die Verwendung eines hydraulischen Tischwagens (oder eines ähnlichen Geräts), um die Ablage zu verlängern. Wenn Sie das Akkufach nicht richtig herausfahren und abstützen, kann dies zu schweren Verletzungen und Schäden am Mäher führen.

⚠️ WARNUNG

Bei falscher Anwendung kann Flüssigkeit aus dem Akku austreten; vermeiden Sie den Kontakt damit. Bei zufälligem Kontakt mit Wasser abspülen. Sollte Flüssigkeit in die Augen gelangen, suchen Sie darüber hinaus einen Arzt auf. Austretende Akkuflüssigkeit kann zu Hautreizungen oder Verbrennungen führen.

11. Heben Sie die Akkuhalterung von den Akkus ab und legen Sie sie beiseite.
12. Entfernen Sie die Akkuabdeckungen für den Akku oder die Akkus, die ersetzt werden sollen, und legen Sie sie beiseite.
13. Entfernen Sie den Akku oder die Akkus, die ausgetauscht werden müssen. Trennen Sie zuerst das Minuskabel (schwarz) und dann das Pluskabel (rot). Achten Sie darauf, dass Sie die Klemmen nicht kurzschließen.
HINWEIS: Achten Sie beim Trennen der hinteren Kabel auf die Position der Akku-Thermistor-Klemme am Pluspol. Stellen Sie sicher, dass Sie die Klemme am selben Ort neu installieren.
14. Ersetzen Sie den Akku oder die Akkus nach Bedarf und installieren Sie die Kabel neu. Schließen Sie zuerst das positive (rote) und dann das negative (schwarze) Kabel an und achten Sie dabei darauf, die Klemmen nicht kurzzuschließen.
15. Bringen Sie die Akkuabdeckungen und die Akkuhalterung wieder an.
16. Schieben Sie das Akkufach so weit in den Mäher, dass Sie den Akku-Schnellverbinderstecker wieder anschließen können.
HINWEIS: Um eine ausreichende Hebelwirkung für das Wiederverbinden zu erzielen, ist es häufig einfacher, eine Verbindung im Bereich des Akkufachs herzustellen, als im Bereich unter dem Sitz.
17. Wenn die Akkus wieder am Mäher angeschlossen sind, schieben Sie das Akkufach vollständig in den Mäher zurück.
18. Setzen Sie die Flanschschrauben und Flanschmuttern wieder ein, um die Außenkante des Akkufachs zu sichern. Gut festziehen.
19. Setzen Sie die Sechskantschraube wieder ein, um das Akkufach zu sichern. Gut festziehen.

20. Schließen Sie den Akku-Termistor an.
21. Bringen Sie den Akkufachdeckel wieder an und installieren Sie die Hardware zum Sichern.
HINWEIS: Vergewissern Sie sich, dass die Laschen am Akkufachdeckel in den Schlitzen an der oberen und seitlichen Abdeckung des Mähers sitzen, bevor Sie die Schrauben festziehen.
22. Bringen Sie die Kabelabdeckung wieder an, drücken Sie sie nach unten, bis sie fest einrastet, und senken Sie dann den Sitz ab.
HINWEIS: Achten Sie beim Wiedereinsetzen der Kabelabdeckung immer darauf, dass die Verbindungsleitung des Sicherheitssystem noch fest sitzt.

HINWEIS: Halten Sie sich immer an die Sicherheitswarnungen, die mit der Batterie zur Verfügung gestellt werden. Entsorgen Sie alte Akkus gemäß den örtlichen und staatlichen Vorschriften.

LAGERUNG DES PRODUKTS

Vor der Lagerung des Produkts sollten folgende Schritte ausgeführt werden:

- Stellen Sie den Mäher auf einer ebenen Fläche ab und ziehen Sie die Feststellbremse an.
- Entfernen Sie alle Gras- und Laubablagerungen an oder um die Motorabdeckung. Wischen Sie den Rasenmäher mit einem trockenen Tuch sauber, Reinigen Sie das Produkt nicht mit Wasser.
- Schließen Sie das Produkt an, um es für die gesamte Lagerzeit aufzuladen.
HINWEIS: Wenn das Ladegerät des Mähers während der Lagerung nicht angeschlossen bleiben kann, laden Sie die Akkus während der Lagerung mindestens einmal im Monat auf. Die Akkus laden sich am besten bei Temperaturen von 0 °C bis 40 °C auf.
- Lagern Sie das Produkt an einem sauberen, trockenen und für Kinder unzugänglichen Ort. Nicht in der Nähe von Geräten lagern, die mit Flammen betrieben werden, z. B. Gaswarmwasserbereiter, Wäschetrockner oder Ofen.
HINWEIS: Lassen Sie den Startschlüssel während der Lagerung nicht im Produkt.

- Halten Sie das Produkt von ätzenden Mitteln wie Gartenchemikalien und Streusalz fern.

VORBEREITEN FÜR DEN GEBRAUCH NACH DER LAGERUNG

Die folgenden Schritte sollten ausgeführt werden, bevor das Produkt nach der Lagerung verwendet wird:

- Überprüfen Sie die Wartungstabelle.
- Laden Sie die Akkus vollständig auf.
- Prüfen Sie den Reifendruck und pumpen Sie bei Bedarf auf.
- Fahren Sie das Produkt kurz an und überprüfen Sie alle Systeme und Komponenten auf ihre ordnungsgemäße Funktion.

WARTUNGSPLAN

- EN
- FR
- DE
- DA
- SV
- FI
- NO

	Vor jedem Einsatz inspizieren.	Alle 25 Stunden	Alle 50 Stunden oder jährlich	Vor der Lagerung	Einmal im Monat während der Lagerung
Bremsfunktion überprüfen	■				
Reifendruck überprüfen	■				
Überprüfen Sie den seitlichen Auswurfkanal und die Sicherheitssperre	■				
Überprüfen Sie auf lockere Verbindungen.	■			■	
Reinigen Sie das Produkt von Rückständen	■			■	
Messer prüfen / ersetzen	■	■			
Akkupole reinigen			■		
Laden Sie den Akku.	■				■

HINWEIS: Wenn das Gerät in Bereichen mit hohem Staubaufkommen verwendet wird, sollte die Wartung häufiger durchgeführt werden.

Wenn das Gerät die in der Tabelle angegebenen Maximalzahlen überschritten hat, sollten die Wartungsintervalle entsprechend den in der Tabelle angegebenen Zeiten oder Stunden festgelegt werden.

Wenn Sie sich nicht sicher sind, wie Sie die oben aufgeführten Wartungsarbeiten durchführen sollen, lassen Sie das Produkt nur von einem autorisierten Servicecenter warten.

ZUBEHÖR

Beschreibung	Artikelnummer
Mulchmesser (zum Mulchen und zum seitlichen Auswerfen)	RAC438 (996516)

⚠️ WARNUNG

Die für das Produkt verfügbaren aktuellen Aufsätze und Zubehörteile sind oben aufgeführt. Verwenden Sie nur vom Hersteller empfohlene Anbau- oder Zubehörteile für dieses Gerät. Die Verwendung von nicht empfohlenen Anbau- oder Zubehörteilen kann zu schweren Verletzungen führen.

ERSATZTEILE

Beschreibung	Artikelnummer
Mulchabdeckung	5131042540
Seitlicher Auswurfkanal	5131042541
Vorderräder	5131042542
Hinterräder	5131042543
Akku	5131042607

FEHLERBEHEBUNG

Wenn diese Lösungen das Problem nicht lösen, lassen Sie das Produkt nur von einem autorisierten Servicecenter warten.

Problem	Mögliche Ursache	Lösung
Mäher startet nicht.	Die Akkuladung ist niedrig.	Laden Sie den Akku.
	Das Ladegerät ist an das Produkt angeschlossen.	Trennen Sie das Ladegerät vom Produkt.
	Der Startschlüssel ist nicht eingesteckt oder befindet sich in der Position OFF.	Stecken Sie den Startschlüssel und drehen Sie ihn in die Position ON.
	Schlechte Akkukabelverbindungen	Überprüfen und reinigen Sie alle Akkuanschlüsse.
Das Produkt bewegt sich nicht.	Der Startschlüssel ist nicht eingesteckt oder befindet sich in der Position OFF.	Stecken Sie den Startschlüssel und drehen Sie ihn in die Position ON.
	Die Feststellbremse ist eingerastet	Lösen Sie die Feststellbremse
	Der Richtungsschalter ist in Position Neutral.	Betätigen Sie den Richtungsschalter in die gewünschte Richtung (vorwärts oder rückwärts)
	Das Bremspedal ist gedrückt und/ oder das Gaspedal ist nicht gedrückt	Geben Sie das Bremspedal frei und betätigen Sie das Gaspedal.
	Das Ladegerät ist an das Produkt angeschlossen.	Trennen Sie das Ladegerät vom Produkt.
Mäher schneidet das Gras ungleichmäßig.	Der Reifendruck ist ungleichmäßig.	Überprüfen Sie den Reifendruck in allen vier Reifen.
	Das Mähwerk ist nicht eben.	Führen Sie die Einstellung des Mähwerkkniveaus durch.
	Die Messer sind abgenutzt, verbogen, locker oder stumpf.	Ersetzen Sie das Messer.
	Unter dem Produkt haben sich Ablagerungen gebildet.	Reinigen Sie die Unterseite des Gehäuses.
	Die Mähgeschwindigkeit ist zu schnell.	Mähen Sie langsamer.
Mäher mulcht nicht richtig.	Nasses Schnittgut kann an dem Unterboden anhaften.	Warten Sie vor dem Mähen bis das Gras getrocknet ist.
	Das Gras ist zu hoch.	Mähen Sie einmal in großer Schnitthöhe, dann wieder in der gewünschten Höhe.
	Die Klinge ist abgenutzt, verbogen, locker oder stumpf.	Ersetzen Sie das Messer.
	Die Mähgeschwindigkeit ist zu schnell.	Mähen Sie langsamer.
Rasenmäher vibriert bei hoher Geschwindigkeit	Das Messer hat Unwucht, locker oder übermäßig oder ungleichmäßig abgenutzt.	Ersetzen Sie das Messer.
	Verbogene Motorwelle.	Stoppen Sie den Motor und ziehen Sie den Startschlüssel ab. Untersuchen Sie das Produkt gründlich auf Beschädigungen. Lassen Sie das Produkt vor dem Neustart von einem autorisierten Servicecenter warten.



Schlechter Auswurf des Grases.	Der seitliche Auswurfkanal oder die Öffnung ist verstopft.	Reinigen Sie den seitlichen Auswurfkanal und die Öffnung.
	Das Gras ist nass.	Lassen Sie das Gras trocknen, bevor Sie mähen.
	Die Mähgeschwindigkeit ist zu schnell.	Mähen Sie langsamer.
	Das Gras ist zu hoch.	Mähen Sie einmal in großer Schnitthöhe, dann wieder in der gewünschten Höhe.
Motor schaltet beim Mähen aus.	Schnitthöhe ist zu niedrig.	Vergrößern Sie die Schnitthöhe.
	Die Akkuladung ist niedrig.	Laden Sie den Akku.
Die Messer drehen sich nicht.	Die Akkuladung ist niedrig.	Laden Sie den Akku.
	Der Schalter für die Sicherheitssperreinrichtung für den seitlichen Auswurf ist nicht am seitlichen Auswurfkanal gedrückt.	Drücken Sie den seitlichen Auswurfkanal nach unten und stellen Sie sicher, dass der Schalter für den seitlichen Auswurf ganz gedrückt ist.
	Der Knopf für die Messeraktivierung ist unten.	Ziehen Sie den Knopf für die Messeraktivierung nach oben.
	Der Bediener sitzt nicht richtig.	Setzen Sie sich ganz auf den Sitz.
	Unter dem Mäher haben sich Ablagerungen gebildet.	Reinigen Sie die Unterseite des Gehäuses.
Die Messer drehen sich beim Rückwärtsfahren nicht.	Die Option für den Rückwärtsmodus ist deaktiviert.	Drücken Sie die Rückwärtsmodus-Taste, um den Rückwärtsmodus zu aktivieren.
	Der Knopf für die Messeraktivierung ist unten.	Ziehen Sie den Knopf für die Messeraktivierung nach oben.
Das Produkt erreicht nicht die volle Geschwindigkeit.	Die Akkuladung ist niedrig.	Laden Sie den Akku.
Die Messer drehen sich weiter, nachdem der Fahrer den Sitz verlassen hat, ohne die Feststellbremse zu betätigen.	Die Sicherheitssperreinrichtung funktioniert nicht richtig.	Stellen Sie sicher, dass der Stecker der Sicherheitssperreinrichtung des Sitzes vollständig angeschlossen ist. Lassen Sie das Produkt nur von einem autorisierten Servicecenter warten, wenn die Messer immer noch nicht anhalten.
Die Scheinwerfer funktionieren nicht.	Die Scheinwerfer sind aus.	Drücken Sie die Scheinwerfertaste, um die Scheinwerfer einzuschalten.
	Die Scheinwerfer sind beschädigt.	Tauschen Sie die Scheinwerfer aus.
Der Akku wird nicht aufgeladen.	Die Akkuzellen sind kaputt.	Ersetzen Sie den Akku.
	Die Kabelverbindungen sind fehlerhaft.	Überprüfen und reinigen Sie alle Akkuanschlüsse.



HÄUFIG GESTELLTE FRAGEN

- Sollte der Mäher bei Nichtgebrauch am Ladegerät angeschlossen bleiben?
 - Ja, den Mäher bei Nichtgebrauch ständig aufladen.
- Was ist der empfohlene Reifendruck und wie oft sollte ich den Luftdruck in den Reifen prüfen?
 - Für eine optimale Leistung sollte der Reifendruck 1,6 bar betragen. Überprüfen Sie den Reifendruck vor jedem Gebrauch.
- Was kann dazu führen, dass die Messer während des Gebrauchs stehen bleiben?
 - Überprüfen Sie die Akkustandsanzeige. Der Mähwerkmotor schaltet sich aus, wenn der Akku fast leer ist, damit Sie genügend Zeit haben, zum Ladestandort zurückzufahren. Fahren Sie zurück und laden Sie den Akku sofort auf.
 - Wenn der Akkustand nicht niedrig ist, fahren Sie langsamer oder heben Sie das Mähwerk auf einen höheren Stand an. Anwendungen mit hoher Last können auch zum Stillstand eines oder beider Mähwerkmotoren führen.
 - Überprüfen Sie, ob der seitliche Auswurfkanal ordnungsgemäß geschlossen ist. Drücken Sie den seitlichen Auswurfkanal nach unten und stellen Sie sicher, dass der Sicherheitsschalter für den seitlichen Auswurf ganz durchgedrückt ist.
- Warum beschleunigt der Mäher beim Bergabrollen manchmal und manchmal nicht?
 - Zu Ihrer Sicherheit und für eine bessere Leistung wurde der Mäher so konstruiert, dass seine Geschwindigkeit beim Befahren von Hängen automatisch begrenzt wird, was zu Geschwindigkeitsschwankungen führen kann.
- Warum piept der Mäher, wenn ich rückwärts fahre?
 - Um alle Personen in der Nähe auf den Standort des Mähers aufmerksam zu machen.
- Wie bringe ich den Mäher beim Betrieb zum Stillstand?
 - Um den Mäher anzuhalten, treten Sie auf das Bremspedal auf der linken Seite des Bedieners. Dieses Produkt verfügt nicht über einen hydrostatischen Antrieb.
- Warum gibt der Mäher ein Piepton von sich, wenn ich den Sitz verlasse?
 - Die Feststellbremse ist nicht angezogen oder der Startschlüssel steckt noch und befindet sich in der Position ON. Ziehen Sie immer den Schlüssel ab, wenn der Mäher nicht benutzt wird.
- Wann sollte ich die Feststellbremse benutzen?
 - Ziehen Sie immer die Feststellbremse an, bevor Sie den Rasenmäher verlassen.
- Kann ich das Mähwerk mit einem Gartenschlauch abspritzen?
 - Reinigen Sie das Produkt nicht mit Wasser. Verwenden Sie zum Reinigen ein Gebläse oder einen Luftkompressor.

Sikkerhed, ydeevne og pålidelighed har fået højeste prioritet i designet af din plæneklipper med sæde.

TILTÆNKT ANVENDELSESFORMÅL

Plæneklipperen med sæde er kun beregnet til udendørs brug.

Dette produkt er beregnet til klipning af private plæner. Klippekniven bør rotere omtrent parallelt med den jordoverflade, den køres hen over. Alle fire hjul skal røre ved plænen under klipningen.

Produktet må kun anvendes til hjemmebrug af voksne, som har modtaget tilstrækkelig uddannelse i farer og forebyggende foranstaltninger eller handlinger, der skal iværksættes ved brug af produktet.

Må ikke bruges til andre formål.

GENERELLE SIKKERHEDSADVARSLER

⚠ ADVARSEL

Læs alle omhyggeligt alle advarsler, anvisninger og specifikationer, som følger med maskinen, og studer illustrationerne. Hvis nedenstående forskrifter ikke overholdes, kan der ske uheld og ulykker som brand, elektrisk stød og/eller alvorlige personskader.

Gem vejledningen med advarsler og anvisninger til senere oplag.

Betegnelsen "elektrisk værktøj" i de efterfølgende sikkerhedsanvisninger gælder både elektriske værktøjer, som tilsluttes lysnettet med ledning, og batteridrevne værktøjer.

SIKRE ARBEJDSOMGIVELSER

- Sørg for at holde arbejdsstedet rent og ryddeligt og for at have godt lys til arbejdet. Rodede eller mørke områder inviterer til ulykker.
- Brug ikke elektriske redskaber eller værktøjer i eksplosionsfarlige omgivelser, f.eks. i nærheden af brændbare væsker, dampe eller letantændeligt støv. Gnister fra elektriske redskaber eller værktøjer kan antænde disse væsker, dampe eller støvansamlinger eller forårsage eksplosion.
- Hold børn, tilskuere og husdyr på afstand ved arbejde med elektriske

redskaber eller værktøjer. De kan virke distraherende, så man mister kontrollen over værktøjet eller redskabet.

ELEKTRISK SIKKERHED

- Det elektriske værktøjs stikprop skal passe til den stikkontakt, den sættes i. **Forsøg aldrig at ombygge stikproppen. Brug aldrig adaptere med elektriske redskaber eller værktøjer, som kræver jordforbindelse.** Så er der mindre fare for at få elektrisk stød.
- Undgå kontakt med jordforbundne flader (dvs. rør, radiatorer, komfurer, køleskabe o.l.). Der er større risiko for at få elektrisk stød, hvis en del af kroppen er i berøring med en jordforbunden flade.
- Elektriske redskaber eller værktøjer må ikke udsættes for regn eller fugt. Faren for elektrisk stød øges, hvis der trænger vand ind i et elektrisk værktøj.
- Hold den strømførende ledning i god stand. Løft aldrig værktøjet eller redskabet i ledningen, og træk aldrig i ledningen for at rykke stikket ud af stikkontakten. Hold fødeledningen væk fra varmekilder, olie, genstande med skarpe kanter og elementer i bevægelse. Faren for elektrisk stød er større, hvis ledningen er beskadiget eller viklet sammen.
- Ved arbejde udendørs må der kun anvendes forlængerledninger beregnet til udendørs brug. Så er der mindre fare for at få elektrisk stød.
- Hvis man ikke kan undgå at bruge værktøjet i fugtige omgivelser, skal det tilsluttes en strømforsyning beskyttet med en fejlstrømsafbryder (RCD). Når der anvendes fejlstrømsafbrydere, er der mindre fare for elektrisk stød.

PERSONLIG SIKKERHED

- Hold opmærksomheden koncentreret om arbejdet, og brug sund fornuft, når der arbejdes med elektrisk værktøj. Det elektriske redskab eller værktøj må aldrig bruges, hvis man er træt, påvirket af spiritus eller narkotika eller tager medicin. Glem aldrig, at man blot skal være uopmærksom en brøkdel af et sekund for at komme alvorligt til skade.
- Brug sikkerhedsudstyr. Beskyt altid øjnene. Alt efter forholdene skal der

bruges støvmaske, skridsikre sko, hjelm eller høreværn for ikke at komme alvorligt til skade.

- **Undgå utilsigtet igangsættelse.** Se efter, som start-stopknappen er på "stop", inden redskabet eller værktøjet tilsluttes en stikkontakt eller batteriet sættes i, og før redskabet eller værktøjet tages op eller flyttes. For at forebygge ulykker må redskabet eller værktøjet ikke flyttes med fingeren på start-stopknappen. og det må heller ikke tilsluttes stikkontakten/batteriet på ikke sættes på, hvis start-stopknappen er på "start".
- **Tag spændøglerne ud, inden værktøjet sættes i gang.** Man kan komme alvorligt til skade, hvis spændøglen bliver siddende på en af redskabets eller værktøjets bevægelige dele.
- **Pas på ikke at tabe balancen.** Fordel vægten på begge ben, og lad være med at strække armen for langt ud. I en stabil arbejdsstilling kan man bedre styre redskabet eller værktøjet, hvis der sker noget uventet.
- **Vær klædt rigtigt til formålet.** Undgå løsthængende tøj og smykker. Sørg for at holde hår og tøj på afstand af bevægelige dele. Løsthængende tøj, smykker og langt hår kan sætte sig fast i de bevægelige dele.
- **Hvis redskabet eller værktøjet leveres med støvsugersystem, skal det monteres og anvendes korrekt.** Derved forebygges uheld og ulykker.
- **Lad ikke erfaringen fra hyppig brug af værktøjet bevirke, at du bliver for selvsikker og ignorerer sikkerhedsprincipperne for værktøjet.** En skødesløs handling kan forårsage alvorlige personskader på en brøkdæl af et sekund.

ANVENDELSE OG VEDLIGEHOLDELSE AF ELEKTRISKE REDSKABER OG VÆRKTØJER

- **Pres ikke værktøjet.** Brug det redskab eller værktøj, der passer til opgaven. Det elektriske redskab eller værktøj er mere effektivt og sikkert, hvis det anvendes med den hastighed, det er beregnet til.
- **Brug ikke det elektriske værktøj, hvis det ikke kan startes og standses med start-stopknappen.** Hvis redskabet eller

værktøjet ikke kan tændes og slukkes rigtigt, er det farligt og skal repareres.

- **Træk stikket ud af stikkontakten, og/eller fjern batteripakken, hvis muligt, fra elværktøjet, inden du foretager justeringer, skifter tilbehør eller opbevarer elværktøjet.** Derved formindskes risikoen for, at redskabet eller værktøjet starter ved et uheld.
- **Opbevar elektrisk værktøj utilgængeligt for børn.** Lad ikke andre, som ikke kender redskabet eller værktøjet, og som ikke har læst disse sikkerhedsregler, bruge det. Elektrisk værktøj er farligt, hvis det kommer i ukundige hænder.
- **Elværktøjer og tilbehør skal vedligeholdes.** Se efter, om de bevægelige dele er rettet ind. Se alle dele efter for brud. Undersøg, om alt er monteret rigtigt, og kontroller alle øvrige forhold, som kan have indflydelse på værktøjets drift. Hvis der er beskadede dele, skal redskabet eller værktøjet repareres inden yderligere brug. Mange uheld og ulykker skyldes forkert eller manglende vedligeholdelse af værktøj og redskaber.
- **Hold værktøjer og redskaber rene og skarpe.** Et rent og skarpt skæreværktøj eller -redskab er mindre tilbøjeligt til at sætte sig fast og lettere at styre.
- **Anvend det elektriske værktøj, tilbehøret, indsatsen m.v. i overensstemmelse med disse forskrifter, og tag ligeledes hensyn til driftsforholdene og den pågældende opgave.** For at undgå farlige situationer må det elektriske redskab eller værktøj kun anvendes til de formål, det er beregnet til.
- **Hold håndtag og gribeblader tørre, rene og fri for olie og fedt.** Glatte håndtag og gribeblader forhindrer sikker håndtering og kontrol af værktøjet i uventede situationer.

SÆRLIGE SIKKERHEDSREGLER FOR BATTERIDREVNE REDSKABER OG VÆRKTØJER

- **Oplad kun redskabets eller værktøjets batteri med den af fabrikanten anførte oplader.** En oplader beregnet til en bestemt type batteri kan forårsage brand, hvis den anvendes til en anden type batteri.
- **Der må kun anvendes en bestemt type batteri til det batteridrevne redskab**



eller værktøj. Hvis der anvendes andre batterier, kan der opstå brand.

- **Når batteriet ikke er i brug, må det ikke komme i berøring med metalgenstande som papirklemmer, mønter, nøgler, skruer, søm eller andre genstande, der kan skabe forbindelse mellem batterikontakterne.** Kortslutning af batteriets kontakter kan forårsage forbrændinger eller brand.
- **Undgå berøring med batterivæsken, hvis den siver ud efter fejlagtig håndtering. Hvis det skulle ske, skylles det berørte område grundigt med rent vand.** Hvis man har fået væske i øjnene, søges også læge. Væskestænk fra et batteri kan forårsage irritation eller forbrændinger.
- **Undlad at bruge en batteripakke, som er blevet beskadiget eller ændret.** Beskadigede eller ændrede batteripakker kan opføre sig på en uventet måde, som kan resultere i brand, eksplosion eller personskader.
- **Undlad at udsætte batteripakken eller værktøjet for brand eller høje temperaturer.** Eksponering for brand eller temperaturer over 130°C kan forårsage eksplosion.
- **Følg alle ladeinstrukser, og undlad at oplade batteripakken eller værktøjet uden for det temperaturområde, der er angivet i brugsanvisningen.** Forkert opladning eller opladning ved temperaturer uden for det angivne område kan ødelægge batteriet og øge risikoen for brand.

VEDLIGEHODELSE

- **Reparationer skal overlades til en fagmand, som udelukkende anvender originale reservedele.** Derefter kan det elektriske redskab eller værktøj igen bruges sikkert.
- **Forsøg aldrig selv at reparere beskadigede batteripakker.** Batteripakker må kun repareres af producenten eller af autoriserede serviceudbydere.

SIKKERHEDSADVARSLER FOR PLÆNEKLIPPER MED SÆDE

UDDANNELSE

- Når produktet anvendes, skal sikkerhedsreglerne overholdes. Af hensyn til egen og andres sikkerhed skal man læse

denne brugsanvisning, inden produktet anvendes. Disse sikkerhedsregler skal opbevares med henblik på senere brug.

- Tillad kun ansvarlige voksne, der er bekendt med og forstår instruktionerne, at bruge produktet.
- Sørg for at blive fortrolig med betjeningselementerne samt den korrekte brug af produktet.
- Brug altid anordninger til sikkerhedsbeskyttelse. Brug ikke produktet uden sideudkastrøret på plads og med korrekt funktion. Tildækningsdækslet skal være korrekt installeret og arbejde korrekt under fremstilling af tildækning.
- Vær opmærksom på mulige farer, når du ikke bruger produktet, eller når du skifter tilbehør. Derved formindskes risikoen for brand, elektrisk stød og personskader.
- Køb aldrig med passagerer eller børn, selv når klingerne er stoppet. De kan falde af og blive alvorligt kvæstet eller forstyrre sikker betjening af produktet. Børn, der tidligere har fået køreture, kan pludselig optræde i klippeområdet for at få en ny tur og blive kørt over eller bakket over af produktet.
- Husk, at brugeren selv er ansvarlig for ulykker eller farer, som andre personer bliver udsat for.
- Lad aldrig børn eller personer med begrænsede fysiske, sensoriske eller mentale evner eller personer, som ikke er bekendt med denne brugsanvisning, benytte, rengøre eller vedligeholde produktet. Lokale love kan have indflydelse på den tilladte brugerage. Børn bør holdes under tilstrækkeligt opsyn, så man er sikker på, at de ikke leger med produktet.
- Følg producentens instruktioner omkring korrekt anvendelse og installation af tilbehør. Brug kun godkendte tilbehørsdele fra producenten. Brug af andet tilbehør kan forøge risikoen for personskade.
- Sørg for aldrig at forstyrre den påtænkte funktion af en sikkerhedsanordning eller mindske den beskyttelse, der ydes af en sikkerhedsanordning. Kontroller regelmæssigt korrekt funktion af sikkerhedsanordninger.
- Pil aldrig ved sikkerhedsanordninger. Kontroller regelmæssigt korrekt funktion af sikkerhedsanordninger.



- Undlad at bruge produktet, mens mennesker, især børn, eller kæledyr opholder sig inden for 15 meter, da der er fare for, at genstande kan blive udslynget ved kontakt med kniven.
- Produktet må ikke benyttes, hvis der er fare for tordenvejr.
- Brug ikke produktet i dårlig belysning. Operatøren skal have tydeligt overblik over arbejdsområdet, så han/hun kan identificere evt. faremomenter.
- Hold hænder og fødder væk fra skæreområdet, der er placeret under plæneklipperens dæk og inde i sideudkastrøret. Hold til enhver tid afstand til sideudkastrørets åbning. Stik aldrig hænder og fødder under dækket på plæneklipperen.
- Følg vejledningen mht. skift af tilbehørsdele.

FORBEREDELSE

- Bær kraftige, lange bukser, trøje med lange ærme, robust og skridsikkert fodtøj. Bær ikke korte bukser, sandaler, og gå ikke barfodet. Undgå at bære løstsiddende tøj eller frit hængende snører eller slips.
- Vær altid sikkerhedsbriller med sidebeskyttelse. Anvend ansigtsmaske hvis det udførte arbejde støver meget.
- Genstande, der rammes af klingens, kan forårsage alvorlige skader på personer. Inspicér omhyggeligt det område, hvor maskinen skal anvendes, og fjern alle sten, pinde, metaldele, ledninger, ben, legetøj eller andre fremmedlegemer. Husk, at streng eller wire kan blive sammenfiltret med klingerne.
- Inden brug skal du altid inspicere produktet visuelt for at sikre dig, at klinger, klingemøtrikker og skæreenheden ikke er slidt eller beskadiget.
- Udskift slidte eller beskadigede klinger og møtrikker i sæt for at bevare balancen.
- Udskift slidte eller beskadigede dele, inden produktet tages i brug.
- Ret aldrig udkastet materiale mod nogen. Planlæg klippemønsteret for at undgå udkast af materiale mod tilskuere, veje, fortove, vinduer og biler. Undgå også at skyde slæde materialer på mod mure og andre genstande som kan rikochere tilbage mod brugeren.

VEKSELSTRØM

- Produktet skal startes med brugeren siddende korrekt og bag rattet. Produktet må aldrig startes, hvis:
 - alle fire hjul ikke hviler på jorden
 - Sideudkastrøret er blottet og er ikke beskyttet af posesættet eller tildækningsdækslet
 - alle de tilstedeværendes hænder og fødder ikke er fri af klippebeklædningen.
- Frakobl klingerne, når produktet ikke er i brug.
- Brug aldrig produktet på et lukket område.
- Stop klingens, når du krydser grusoverflader for at undgå at udkaste grus og sten. Kør produktet langsomt og omhyggeligt for at undgå kontroltab.
- Tænd forsigtigt for produktet i henhold til anvisningerne, og hold hænder og fødder væk fra klingerne. Anbring aldrig hænder eller fødder i nærheden af eller under roterende dele.
- Klip ikke under bakning, medmindre det er absolut nødvendigt. Se altid ned og bagud før og under bakning.
- Inden og under bakning se bagud og ned af hensyn til små børn, tilskuere og kæledyr.
- Vær ekstra forsigtig, når du nærmer dig blinde hjørner, buske, træer og andre ting, herunder overhængende buske, der kan blokere dit udsyn.
- Sænk farten inden drejning.
- Skråninger er en vigtig faktor, hvad angår kontroltab og vælteulykker, som kan resultere i alvorlig personskade eller dødsfald. Anvendelse på bakker kræver ekstra forsigtighed. Hvis du ikke kan bakke op ad skråningen, eller hvis du føler dig utilpas på den, skal du undlade at klippe den. Brug aldrig produktet på stejle skråninger på mere end 15°. Lav en kopi, eller klip "Skråningsvejledning" bagerst i denne vejledning ud, og brug den til at bestemme, om din skråning er for stejl til sikker klipning.
 - Forsøg aldrig at køre på en stejl skråning eller klippe en skråning, der er stejlere end 15°.

- Klip græsset op og ned og ikke på tværs af skråninger.
- Undgå huller, riller, buler, sten eller lignende. Ujævnt terræn kan få plæneklipperen til at vælte. Højt græs kan genne genstande.
- Brug en langsom hastighed, så du ikke behøver at stoppe pludselig eller ved et uheld at accelerere, mens du er på en skråning.
- Klip ikke på vådt græs, når du befinder dig på en skråning. Dæk kan miste trækraft, og du kan miste kontrollen.
- Hold altid retningskontakten i fremadstilling, når du kører ned ad skråninger. Skift ikke til frigear for at rulle ned ad bakke, hvilket kan medføre, at du mister kontrollen over produktet.
- Undgå at starte, stoppe eller dreje på en skråning. Hvis dækkene mister trækraft, skal du løsne klingerne og fortsætte langsomt lige ned ad skråningen.
- Afviki alle bevægelser på skrænter langsomt og gradvist. Foretag ikke pludselige ændringer i hastighed eller retning, som kan få plæneklipperen til at vælte.
- Vær ekstra forsigtig, mens du bruger produktet med tilbehør. Det kan påvirke produktets stabilitet. Brug ikke plæneklipperen på stejle skråning på mere end 15°.
- Forsøg ikke at stabilisere plæneklipperen ved at sætte en fod på jorden.
- Undgå at bruge produktet nær skrænter, grøfter, meget stejle skåninger eller diger. Produktet kan pludselig rulle rundt, hvis et hjul kører ud over kanten, eller hvis kanterne buer indad og derved kan resultere i dødsfald eller alvorlig personskade.
- Lad aldrig produktet køre uden opsyn. Sluk altid for klinger, aktiver parkeringsbremsen, stop motoren, og fjern startnøglen, før du stiger af den.
- Vær opmærksom på trafik, når du kører i nærheden af veje. Brug ikke plæneklipperen på veje.

YDERLIGERE SIKKERHEDSADVARSLER OM OPLADER

- Opladeren er kun beregnet til indendørs brug.
- Genoplad ikke primærbatterier (ikke-genopladelige).
- Inden hver brug skal man kontrollere elkablet for evt. beskadigelser. Hvis det opviser tegn på skader, skal det udskiftes af en autoriseret person på et autoriseret servicecenter for at undgå farlige situationer.
- Oplad produktet indendørs på et velventileret område. Oplad ikke produktet, hvor der er begrænset plads.
- Opladeren er udstyret med et stik med et jordforbindelsesben og skal tilsluttes et matchende stik, der er korrekt installeret og jordet i overensstemmelse med alle lokale regler og forordninger. Lad være med at bruge adaptere eller ændre det medfølgende stik. alle gældende lokale regler og forskrifter.

YDERLIGERE SIKKERHEDSADVARSLER OM BATTERI

⚠ ADVARSEL

For at undgå risiko for brand, kvæstelser eller beskadigelse af produktet forårsaget af kortslutning må værktøjet, batteripakken eller opladeren ikke nedsænkes i vand. Sørg ligeledes for, at der ikke trænger væske ind i enhederne og batterierne. Korroderende eller ledende væsker, f.eks. saltvand, bestemte kemikalier, blegestoffer eller produkter, som indeholder blegemidler, kan forårsage kortslutning.

⚠ ADVARSEL

Risiko for brand, eksplosion eller forbrændinger. Lad være med at adskille batteripakken, eller udsætte den for varme over 60° C eller afbrænde den.

- Batteripakken indeholder syre. Hvis syre kommer i berøring med huden eller beklædning, så skyl omgående med vand i 10 minutter. Hvis væske kommer i kontakt med øjnene, skal der søges lægehjælp.

- Oplad ikke batteripakker, der viser tegn på lækage. De skal bortskaffes på ordentlig vis.

UDTAGNING OG FORBEREDELSE AF BATTERIET TIL GENBRUG

For at spare på naturressourcerne skal batterier genbruges eller bortskaffes i henhold til gældende (miljø) regler.

Produktet indeholder blysyrebatterier. Lokale forskrifter forbyder muligvis bortskaffelse af blysyrebatterier med alm. affald. Konsulter lokale renovationsmyndigheder for oplysninger om mulige genbrugs-/bortskaffelsesmuligheder.

⚠ ADVARSEL

Når batteriet er taget ud, tildækkes dets poler med kraftigt tape. Forsøg ikke at ødelægge eller demontere batteriet eller at fjerne nogle af dets dele. Blysyrebatterier skal genbruges eller bortskaffes på forsvarlig vis. Man må heller aldrig røre ved polerne med metalgenstande og/eller kropsdele, da dette kan udløse kortslutning. Skal opbevares utilgængeligt for børn. Manglende overholdelse af disse advarsler kan medføre brand og/eller alvorlig personskade.

TRANSPORT OG OPBEVARING

- Sluk for produktet, aktiver parkeringsbremsen, og fjern startnøglen. Kontrollér, at alle bevægelige dele er standset fuldstændigt. Lad produktet køle af inden opbevaring eller transport i et køretøj.
- Afrens alle fremmedlegemer fra produktet. Opbevar den på et køligt, tørt og godt ventileret sted utilgængeligt for børn. Starttasten skal også fjernes og opbevares på et separat sted uden for børns rækkevidde.
- Sørg for, at produktet ikke kommer i nærheden af korrosive stoffer såsom havekemikalier og strøsalt. Opbevar ikke produktet udendørs
- Vær ekstra forsigtig, når du pålæsser eller aflæsser produktet på en trailer eller lastbil.

Træd på bremsepedalen efter behov for at regulere hastigheden. Produktet ruller frit, hvis det flyttes på en skråt overflade uden at træde på bremsepedalen eller aktivere parkeringsbremsen. Ved aflæsning eller pålæsning af produktet, må den maksimale anbefalede betjeningsvinkel ikke overstige 15°.

⚠ ADVARSEL

Vær meget forsigtig, når du løfter eller vipper maskinen i forbindelse med vedligeholdelse, rengøring, opbevaring eller transport. Klingen er skarp. Hold alle kropsdele på afstand af klingens, når denne er blottet.

TRANSPORT AF BLYSYREBATTERIER

Batterier skal transporteres i henhold til lokale og nationale forskrifter og love.

Når batterier skal transporteres af tredjepart, skal alle specielle krav til emballering og mærkning overholdes. Man skal sikre sig, at ingen batterier under transporten kan komme i kontakt med andre batterier eller ledende materialer ved at beskytte blottede konnektorer med isolerende, ikke-ledende hætter eller tape. Undlad at transportere batterier med revner eller utætheder. Rådfør dig desuden med speditøren.

SIKKERHEDSADVARSLER FOR BUGSERING

⚠ ADVARSEL

Udvis ekstrem forsigtighed ved bugsering af produktet. Klingens er skarp. Hold alle kropsdele på afstand af klingens, når denne er blottet.

- Brug sund fornuft ved bugsering. En for stor byrde under arbejde på en skråning er farlig. Dæk kan miste vejgreb og forårsage, at du mister kontrol over produktet.
- Følg producentens anbefalinger til hjulvægte eller modvægte.
- Samlet bugseret vægt må ikke overstige maks. bugseringsvægt på 226.8 kg (500 lbs).
- Fastgør kun bugseringsudstyr på tovophængspladen.

- Lad aldrig børn eller andre opholde sig på det bugserede udstyr.
- Stopafstand øges med hastighed og vægt af lasten under bugsering. Kør langsomt, og afsæt ekstra tid og afstand til at stoppe.
- Foretag ikke skarpe drej under bugsering. Udvis yderligere forsigtighed ved drejning eller betjening under dårlige overfladebetingelser. Vær forsigtig ved kørsel i bakgear.

VEDLIGEHOVELSE

⚠ ADVARSEL

Brug kun originale reservedele, ekstraudstyr og tilbehør fra producenten. I modsat fald er der fare for personskader, dårlig maskinydelse og annullering af garantien.

⚠ ADVARSEL

Vedligeholdelse kræver stor omhyggelighed og viden og bør kun udføres af en kvalificeret tekniker. Lad kun et autoriseret serviceværksted servicere produktet. Brug kun originale reservedele fra maskinproducenten i forbindelse med servicearbejde.

- Behandl produktet med omhu, og hold det i god funktionstilstand. Hold klingerne skarpe og afskærmninger på plads og i driftsmæssig tilstand. For at forhindre alvorlig personskade skal du forhindre beskadigelse af produktet og for at opretholde den bedste ydelse udskifte beskadigede, bøjede, revnede eller ujævnt slidte klinger. En ubalanceret klinge forårsager vibrationer, der kan beskadige motorens drivenhed eller kan forårsage personskade.
- Foretag aldrig justeringer eller reparationer, mens motoren kører, og klingerne er i bevægelse.
- Fjern startnøglen fra produktet inden opbevaring, servicering eller skift af tilbehør. Sådanne forebyggende sikkerhedsforanstaltninger reducerer risikoen for opstart af produktet ved et uheld.
- Sluk for produktet, aktiver parkeringsbremsen, og fjern startnøglen.

Kontrollér, at alle bevægelige dele er standset fuldstændigt:

- inden produktet efterlades uden opsyn (herunder bortskaffelse af afklippet græs)
- før du fjerner blokerede genstande eller renser græsudkastet
- inden kontrol, rengøring eller arbejde på produktet
- inden fjernelse af tildækningsdæksel
- inden åbning af græsudkasterrørets dæksel.
- efter at have ramt et fremmedelement
 - Inspicér omhyggeligt maskinen for evt. skader.
 - Udskift kniven, hvis den er beskadiget på nogen måde.
 - Reparer skader før græsslåmaskinen genstartes og anvendes igen.
- hvis produktet begynder at vibrere unormalt (kontrolleres omgående)
 - eftersyn for skader, især knivene
 - Udskift kniven, hvis den er beskadiget på nogen måde.
 - udskift eller reparér alle beskadigede dele
 - kontrollér og efterspænd evt. løse dele
- Du kan lave justeringer og reparationer beskrevet i denne brugervejledning. Lad kun et autoriseret servicecenter servicere og reparere produktet.
- Kontakt et autoriseret servicecenter med henblik på udskiftning af beskadigede eller ulæselige etiketter.
- Service på produktet og opladeren må kun foretages af kvalificerede reparationsmedarbejdere. Service eller vedligeholdelse udført af ukvalificerede personer kan medføre personskader på brugeren eller skader på produktet.
- Tjek ofte alle møtrikker, bolte og skruer om de sidder godt fast, og sørg for at produktet fungerer ordentligt.
- Klingeboltene skal spændes til det anbefalede moment.
- Kontrollér bremserne inden hver brug og hyppigt under brug. Juster og servicer i nødvendigt omfang.



- Sideudkastrøret er en fjederbelastet afskærmning, der dækker sideudkaståbningen på klippedækket og bortleder græsklip og affald væk fra operatøren Sørg altid for, at motoren er slukket, og at klingerne er ophørt med at bevæge sig før inspektion, bevægelse, rengøring eller vedligeholdelse på sideudkastrøret.
- Af sikkerhedshensyn skal slidte eller beskadigede dele udskiftes.
- Udskift altid slidte eller beskadigede knive og skruer sætvis, så balancen opretholdes.
- Vær forsigtig ved justering af maskinen, så du ikke får fingrene i klemme mellem bevægelige knive og faste maskindele.
- Skæreklingerne fortsætter med at rotere i nogle få sekunder, efter der er lukket for motoren. Når man servicerer knivene, skal man være opmærksom på, at de stadig kan bevæge sig, selv om strømmen er afbrudt. Placer aldrig nogen del af kroppen i klingområdet, før du er sikker på, at klingerne er ophørt med at rotere.
- Kniven på produktet er skarp. Vær forsigtig, og benyt kraftige handsker, når du monterer, udskifter, rengør eller kontrollerer boltsikkerheden.
- Produktet skal rengøres med en blød klud efter hver brug. Enhver del, som bliver beskadiget, skal repareres korrekt eller udskiftes hos et autoriseret servicecenter.
- Hold produktet fri for græs, blade eller andet affald, der har hobet sig op.
- Brug ikke vand til at rengøre produktet. Brug en luftdrevet anordning som en kompressor eller bladblæser til rengøring af produktet.

AFHJÆLPNING AF TILSTOPNING

- Sluk for produktet, aktiver parkeringsbremsen, og fjern startnøglen. Indstil klippedækket til den maksimale højde. Kontrollér, at alle bevægelige dele er standset fuldstændigt.
- Benyt altid kraftige beskyttelseshandsker, når du kontrollerer og afhjælper en tilstopning. Klingerne er skarpe, og selve tilstopningen kan være en skarp genstand.

- Kontrollér og ryd omhyggeligt sideudkastrøret for tilstopninger.
- Fjern forsigtigt eventuelle tilstopninger. Husk, at kniven kan bevæge sig, når tilstopningen fjernes.

UUNDGÅELIGE RISICI

Selv om produktet anvendes som foreskrevet, er det stadig umuligt at eliminere visse uundgåelige risikofaktorer fuldstændigt. Følgende risici kan opstå under brug, og operatøren bør være særligt opmærksom for at undgå følgende:

- Personskader forårsaget af vibration
 - Brug altid det korrekte værktøj til arbejdsopgaven. Benyt de hertil indrettede håndtag, og sørg for at begrænse arbejds- og eksponeringstiden.
- Personskader forårsaget af støj
 - Benyt høreværn, og begræns eksponering.
- personskade pga. kontakt med knivene
 - Hold til enhver tid ubeskyttede kropsdele på afstand af klingerne.
- personskade forårsaget af udslyngede genstande
 - Der skal altid benyttes passende øjenværn.

RISIKOREDUKTION

Der er rapporteret om, at vibrationer fra håndholdte værktøjer kan være medvirkende til en lidelse kaldet Raynauds syndrom hos visse personer. Symptomerne herpå kan være prikken, følelsesløshed og blegning af fingrene, der normalt viser sig ved kuldepåvirkning. Faktorer som arvelighed, udsættelse for kulde og fugt, kost, rygning og arbejdsvaner menes alle at medvirke til udviklingen af disse symptomer. Der findes forholdsregler, som operatøren kan træffe for at begrænse påvirkningen fra vibrationer:

- Hold kroppen varm i koldt vejr. Brug handsker, så hænder og vriste holdes varme under arbejdet. Der er rapporteret om, at koldt vejr er en væsentlig faktor til Raynauds syndrom.
- Motionér efter hver arbejdsperiode for at øge blodcirkulationen.



- Hold hyppige arbejdspauser. Begræns eksponeringen for vibrationer pr. dag. Hvis du mærker nogen af symptomerne på denne tilstand, skal du straks ophøre med arbejdet og søge læge.


⚠ ADVARSEL
Længere tids brug af et værktøj kan forårsage - eller forværre - personskader. Når man bruger et værktøj i længere perioder ad gangen, skal man huske at holde hyppige pauser.

HVAD DER ER I KASSEN

- Plæneklipper med sæde x1
- Sædeanordning x1
- Værktøjssæt og tilbehørskasse
 - Gaffelnøgler x2
 - Skruenøgle x1
 - Momenttang x1
 - Startnøgle x2
 - Tildækningsdæksel x1
 - Brugsanvisning x 1
 - Lynstartguide x1
 - Monteringsvejledning x1
- Ratstammes monteringskasse
- Oplader x 1

BEMÆRK: Se en komplet liste over ratstammemontering i afsnittet "Liste over løse dele".

SYMBOLER PÅ PRODUKTET

-  Sikkerheds Varsel
-  Læs og forstå alle anvisninger inden betjening af produktet.
-  Overhold alle advarsler og sikkerhedsanvisninger.
-  Sørg for, at tilskuere (især børn og dyr) har mindst 30 m afstand fra arbejdsområdet.

-  Bær aldrig på børn eller andre, selv når klingerne er afmonteret.
-  Se altid ned og bag ved dig, inden og under bakning, og sørg for, at børn, tilskuere og kæledyr har forladt området.
-  Kør ikke på hældninger større end 15°. Klip græsset op og ned af skråninger ikke på tværs af skråninger.
-  Det garanterede lydeffektniveau er 100 dB (A)

-  Hold hænder og fødder på afstand af kniv og klippeområde. Træd ikke på skæredækket eller på sideudkastret.

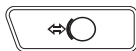
-  Sørg for, at tilskuere (især børn og dyr) har mindst 30 m afstand fra arbejdsområdet.

-  Pas på udslyngede eller flyvende objekter.

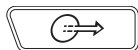
-  Bær aldrig på børn eller andre, selv når klingerne er afmonteret.

-  Se altid ned og bag ved dig, inden og under bakning, og sørg for, at børn, tilskuere og kæledyr har forladt området.

-  Hold hænder og fødder på afstand af kniv og klippeområde.

-  **Bremse**
Træd på bremsepedalen for at stoppe produktet.

-  **P**
-  **P**
Parkeringsbremse



Accelerer
Træd på gaspedalen for at køre frem og tilbage.



Opladeport



Dette redskab overholder alle lovkrav og standarder i det EU-land, hvor det er købt.



EurAsian
overensstemmelsesmærke



Produktet kan betjenes baglæns med klinger indkoblet, når der trykkes på RMO-knappen, og den røde knaplampe lyser. Se altid ned og bag dig, før og når du manøvrerer i bakgear. Græsklipning i bakgear anbefales ikke.



Løft knappen til aktivering af klingens op for at aktivere den. Tryk knappen til aktivering af klingens ned for at deaktivere den.



Cruise control giver produktet mulighed for at forblive i konstant hastighed, uden at operatøren behøver at opretholde trykket på gaspedalen.

Der henvises til afsnittet "Indstilling af cruise control".

Elektriske affaldsprodukter bør ikke afskaffes sammen med husholdningsaffald. Genbrug venligst hvor faciliteterne tillader dette. Tjek med din lokale kommune eller forhandler for genbrugsråd.



Ukrainsk
overensstemmelsesmærke



Kun til indendørs brug



For at reducere faren for personskade skal brugeren læse og forstå brugsanvisningen, inden produktet anvendes.



Sprængningsfare

For at begrænse risikoen for (person)skader skal man undgå kontakt med enhver varm overflade.

Hvis produktet ikke anvendes i et tørt miljø, og hvis operatøren ikke overholder sikkerhedsreglerne, er der fare for elektrisk stød.



Fare for elektrisk stød.

Tag altid opladeren ud af strømforsyningen, før du tilslutter eller frakobler batteriet.



Må ikke udsættes for regn eller bruges på fugtige steder.



Produktet må ikke udsættes for regn eller bruges på fugtige steder.



Holdes på afstand af alle antændingskilder, gnister og flammer. Dæk ikke ventilationshullerne til, og sørg for tilstrækkelig udluftning under betjening.



Opbevares utilgængeligt for børn og uskoledede personer.



Benyt øjenværn.



Batteripakken indeholder syre. Hvis syre kommer i berøring med huden eller beklædning, så skyl omgående med vand i 10 minutter.



Hvis man får væske i øjnene, skylles øjnene med rent vand i mindst 10 minutter, derefter søges omgående læge.





Uden membran. Batteri skal genbruges.



Produktet indeholder blysyrebatterier. Lokale forskrifter forbyder muligvis bortskaffelse af blysyrebatterier med alm. affald. Konsultér lokale renovationsmyndigheder for oplysninger om mulige genbrugs-/bortskaffelsesmuligheder.



Sørg for, at sideudkastørret er helt lukket, før du bruger produktet.



Betjen ikke produktet, når sideudkastørret er åben.



Kørsel med plæneklipperen



Isæt startnøglen, og drej nøglen til stillingen TIL.



Sæt retningskontakten i stillingen fremad (F).



Træd på bremsepedalen for at deaktivere parkeringsbremsen.



Træk op i grebet til aktivering af klinger for at aktivere klingerne.



Træd på gaspedalen for at klippe plænen.



Plæneklipping i bakgear



Træd på bremsepedalen, og bring plæneklipperen til et fuldstændigt stop.



Tryk ned på grebet til klingeaktivering for at slå klingerne fra.



Tryk på knappen for baktilstand.



Træk op i grebet til aktivering af klinger for at aktivere klingerne.



Sæt retningsknappen i stillingen bak (R).



Træd på gaspedalen, når der er brug for at plæneklipping i bakgear.



Parkering af plæneklipper



Stop plæneklipperen på en flad, jævn overflade. Stop ikke plæneklipperen på skråninger.



Træd på bremsepedalen for at aktivere parkeringsbremsen.



Sæt retningsknappen i stillingen frigear (N).



Tryk ned på grebet til klingeaktivering for at slå klingerne fra.



Drej nøglen til stillingen FRA.



Standsning af plæneklipperen



Tryk ned på grebet til klingeaktivering for at slå klingerne fra.



Træd på bremsepedalen.



Aktiver parkeringsbremsen.



Drej nøglen til stillingen FRA.



Fjern startnøglen.

SYMBOLER I DENNE BRUGSANVISNING



Dele eller tilbehør, der sælges separat



Bemærk



Advarsel

Formålet med nedenstående signalord og betydninger er at tydeliggøre risikoniveauet i forbindelse med produktet:

FARE

Indikerer en meget farlig situation, som hvis ikke undgås, kan føre til alvorlige skader og i værste fald døden.

ADVARSEL

Indikerer en potentielt farlig situation, som hvis ikke undgås, kan føre til alvorlige skader og i værste fald døden.

PAS PÅ

Indikerer en potentielt farlig situation, som hvis ikke undgås, kan føre til mindre eller moderate skader.

PAS PÅ

(Uden sikkerhedssymbol) indikerer en situation som kan føre til skade af personlig ejendom.

MONTERING

⚠ ADVARSEL

For at reducere risikoen for personskader skal du læse og forstå monteringsafsnittet i denne manual, før du forsøger at samle produktet. Gem denne brugsanvisning for fremtidig brug.

SIKKERHEDSREGLER FOR MONTERING

⚠ ADVARSEL

Overhold nøje alle specifikationer for tilspænding af momentnøglen. Gør man ikke det, er der fare for alvorlige personskader.

Al information, illustrationer, fotografier og specifikationer, der er indeholdt i denne vejledning, er baseret på de nyeste produktinformationer, der var tilgængelige på tidspunktet for offentliggørelsen. På grund af forbedringer eller andre ændringer kan der være nogle uoverensstemmelser i denne manual. Vi forbeholder os retten til at foretage produktændringer til enhver tid uden varsel og uden pålæg af nogen forpligtelse til at foretage samme eller lignende ændringer på produkter, der tidligere er bygget eller solgt.

- Enhver person, der forsøger at samle produktet, skal have korrekt træning og erfaring. Læs denne vejledning omhyggeligt, og følg alle monteringsprocedurer i denne vejledning.
- Al montering skal færdiggøres med produktet på en plan overflade.

PÅKRÆVEDE VÆRKTØJER

Følgende værktøjer skal bruges til montering:

- Momentnøgle
- Dæktryksmåler
- Topnøgle
 - 12 mm sokkel
 - 13 mm sokkel
 - 6 mm Startnøgle

UDPAKNING

Se figur 1.

- Fjern boltene, der fastgør hjørne- og sidestykker til rammen, og løft derefter beslagene for at fjerne dem.
- Overskær nylonstropper, der fastgør for- og bagaksler til rammen.

- Fjern kasserne, der indeholder løse dele, monteringshardware og dokumentation.
- Fjern og sæt al tilgængelig emballage til side, og udpak enheden og dele. Bortskaf ikke indpakningsmaterialet, før du har inspiceret produktet omhyggeligt og anvendt produktet med tilfredsstillende resultat.

⚠ ADVARSEL

Hvis nogle af delene i afsnittet "Liste over løse dele" allerede er samlet til produktet, når du pakker det ud, skal du kontrollere, at delen er samlet korrekt, er strammet ordentligt og drejet korrekt (hvor relevant), inden du fortsætter til næste monteringsstrin. Bug af et produkt, der evt. er samlet forkert, kan medføre alvorlig personskade.

- Inspicér produktet omhyggeligt for evt. brud eller skader opstået under transporten.
- Hvis nogle dele er beskadiget eller mangler, skal du kontakte et autoriseret servicecenter.

BEMÆRK: Produktet skal samles, mens det er placeret på bunden af rammen. Når monteringen er afsluttet, skal klippedækket indstilles til dets maksimale højde, og placer derefter en rampe ved siden af rammebunden, og køр langsomt og forsigtigt produktet ud af rammen.

⚠ ADVARSEL

Vær forsigtig, når du kører produktet ud af rammen, og træd på bremsepedalen efter behov for at kontrollere hastigheden. Produktet ruller frit, hvis det bevæges på en skrå overflade uden at træde på bremsepedalen eller aktivere parkeringsbremsen. Manglende overholdelse af disse instruktioner kan føre til tab af kontrol og resultere i dødsfald, alvorlig personskade eller materielle skader.

⚠ ADVARSEL

Hvis der ikke er nogen rampe, skal du langsomt og forsigtigt køre produktet baglæns, mens du ser ned og bagud. Kørsel af produktet fra rammen i retning fremad uden rampe kan forårsage skader på klippedækket.

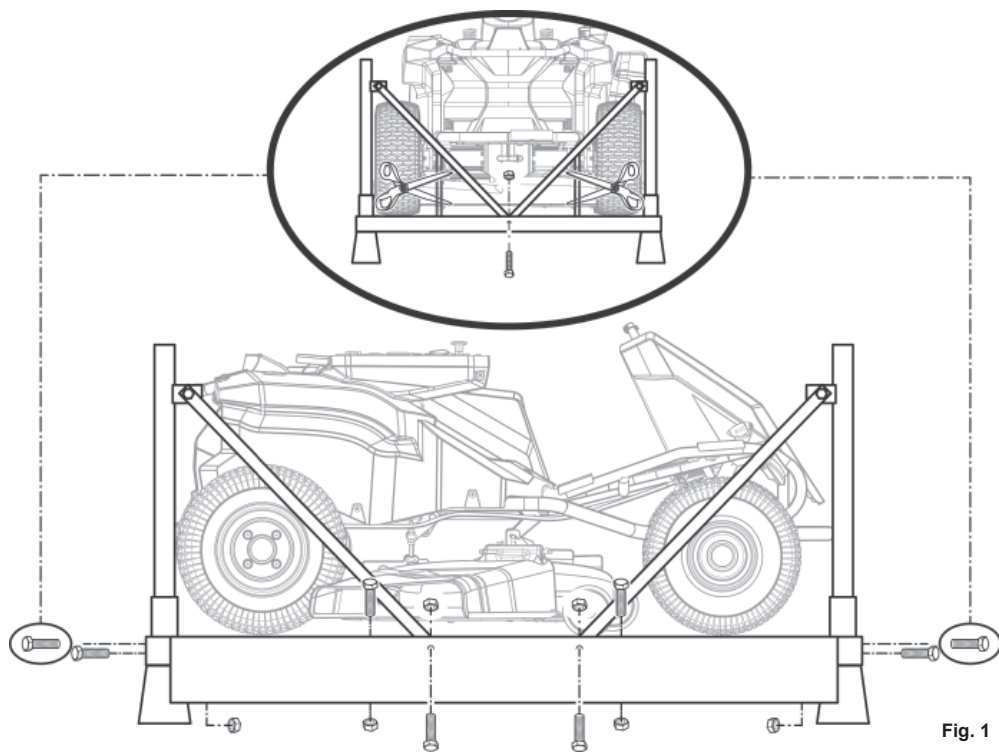


Fig. 1

LISTE OVER LØSE DELE

1. Sædeanordning x1
2. Montering af ratstamme
Øverste rataksel x1
Bolte x 2
Ratstamme x1
Ratstammedæksel x1
Flangespændeskiver x2
Fjeder x 1
Ratnav x1
Rat x1
Flad spændeskive x 1
Flangemøtrik x2
Ratdæksel x1

3. Oplader x 1
4. Kofanger x 1
5. Startnøgle x3

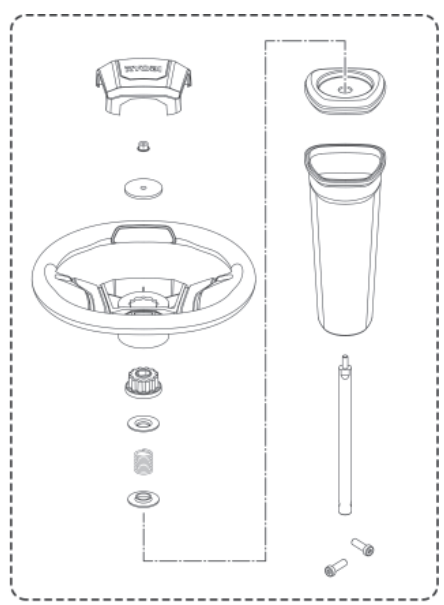
⚠ ADVARSEL

Hvis nogen af delene er beskadigede eller mangler, må du ikke samle produktet, før delene er blevet udskiftet med nye originale dele fra producenten. Samling af produkt med beskadigede, manglende eller ukorrekte dele kan resultere i alvorlige personskader.

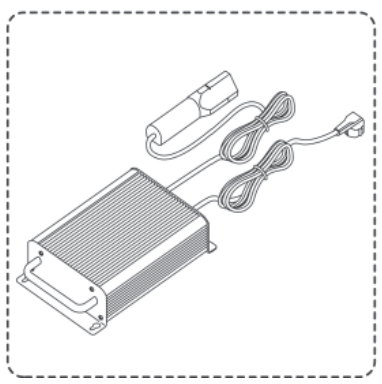
1.



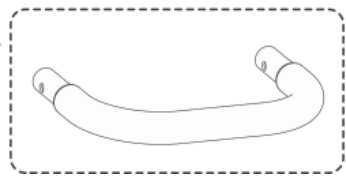
2.



3.



4.



5.



⚠ ADVARSEL

Overhold nøje alle specifikationer for tilspænding af momentnøglen. Gør man ikke det, er der fare for alvorlige personskader.

⚠ ADVARSEL

Forsøg ikke at modificere denne enhed eller at anvende tilbehør som ikke er beregnet til denne enhed. Sådanne ændringer eller modificeringer betegnes som værende misbrug og kan føre til farlige situationer og potentielt alvorlige personlige skader.

⚠ ADVARSEL

For at forhindre utilsigtet start, der kan medføre alvorlig personskade, skal du altid fjerne startnøglen fra produktet, når du monterer delene.

TILSLUTNING AF BATTERIET

Se figur 2.

Ved afsendelse fra fabrikken er produktets batterier frakoblet.

Sådan tilslutter man:

1. Tryk på tapperne på ledningsdækslet, og løft dækslet for at fjerne det.
2. Forbind de to ender på batteriets lynkoblingsstik med hinanden.

BEMÆRK: Inden geninstallation af ledningsdækslet skal du installere sædet som beskrevet i næste afsnit.

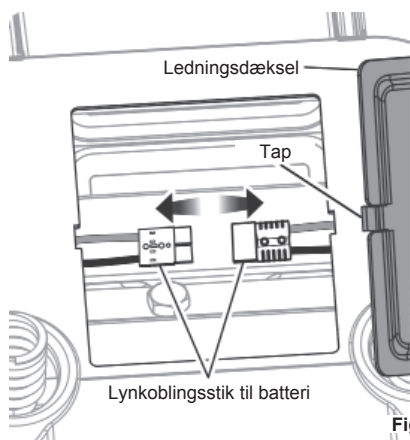


Fig. 2

INSTALLATION AF SÆDET

Se figur 3.

1. Fjern bolte og flangemøtrikker fra sædets monteringsbeslag.
2. Placer sædeenheten over monteringsbeslagene, og juster hullerne som vist.
3. Genmonter og spænd boltene og flangemøtrikkerne korrekt.
4. Før sædets sikkerhedslåsekabel gennem hul i ledningsdækslet, og tilslut derefter stikket på plæneklipperen.
5. Genmonter ledningsdækslet, og sørg for, at det sidder korrekt.

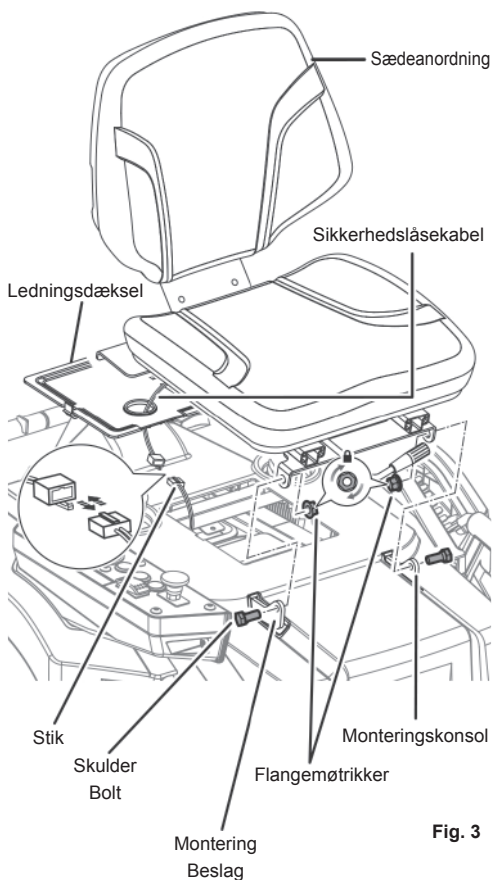


Fig. 3

INSTALLATION AF RATSTAMME

Se figur 4 - 5.

1. Installer den øverste rataksel i koblingen, drej efter behov for at rette hullet i akslen ind efter bolthul i koblingen.
2. Installer to bolte, og spænd sikkert til 20 Nm drejningsmoment.
3. Indsæt ratstamme over akslen. Bemærk fligene i bunden af ratstammen, der passer ind i hullerne i åbningen, og sørg for, at ratstammen er forsvarligt fastgjort.
4. Monter ratstammens dæksel, så det er fastgjort korrekt. Den øverste rataksel stikker igennem åbningen i dækslet.
5. Installer flangeskiven (flange op), fjederen, den anden flangeskive (flange ned) og rattets nav på den øverste rataksel.
6. Sørg for, at plæneklipperens hjul peger lige ud, og installer derefter rattet over ratnavet.
7. Installer den flade skive og flangemøtrik. Tilspænd møtrikken forsvarligt til et moment på 25 Nm.
8. Installer ratdækslet.

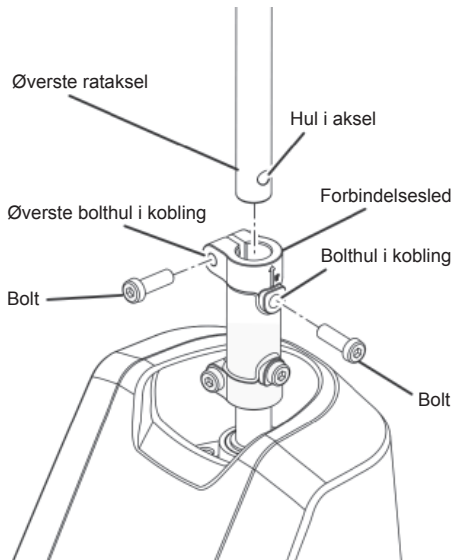


Fig. 4

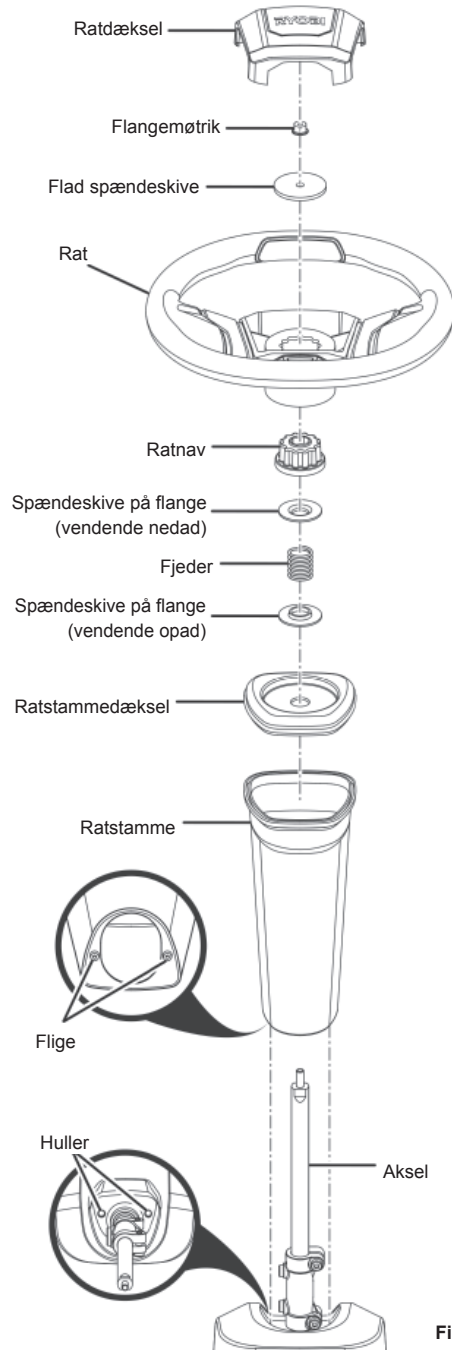


Fig. 5

INSTALLATION AF KOFANGER

Se figur 6.

1. Fjern flangemøtrikkerne og sekskantskruerne, der fastgør kofangerdækslet til plæneklipperens ramme.
2. Installer kofanger i åbningerne foran på plæneklipperens ramme som vist.

Juster hullerne i kofangeren, plæneklipperens ramme og kofangerdækslet. Genmonter og spænd sekskantboltene og flangemøtrikkerne.

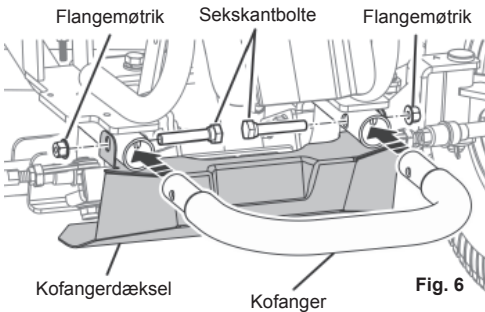


Fig. 6

OPLADNING AF PRODUKTET

Se figur 7 - 8.

Batterier til plæneklippere skal oplades i 24 timer inden første brug. For at bekræfte, at plæneklipperens batterier er fuldt opladet, skal du kontrollere batteriets niveauindikator.

For at opnå de bedste resultater:

- Lad være med at oplade i et område med ekstrem varme eller kulde. Batterier oplades bedst ved temperaturer fra 0° C til 40° C.
- Oplad aldrig et frosset batteri.
- Monter eller placer opladeren på et område med tilstrækkelig ventilation uden at tildække køleribberne.
- Sørg for, at både oplader- og plæneklipperstik er rene og fri for snavs eller affald.

Opladning:

1. Isæt opladerens stik i ladeporten på plæneklipperen, og sørg for, at den er forsvarligt tilsluttet.
2. Tilslut opladeren til en strømforsyning ved hjælp af normal husholdningsstrøm på 220-240 VAC, 50/60 Hz. Batteriopladning bør starte automatisk.

3. Når du er klar til at klippe, skal du frakoble opladeren fra strømforsyningen og derefter fjerne opladeren fra plæneklipperen.

BEMÆRK: Opladeren er udstyret med et stik med et jordforbindelsesben og skal tilsluttes et matchende stik, der er korrekt installeret og jordet i overensstemmelse med alle lokale regler og forordninger. Lad være med at bruge adaptere eller ændre det medfølgende stik. alle gældende lokale regler og forskrifter.

Når opladeren er tændt, lyser LED-indikatoren på opladeren for at indikere opladerens status. Der henvises til følgende diagram for at fastslå betydningen af LED's display.

⚠ ADVARSEL

Drej altid afbryderen til stillingen FRA, og fjern startnøglen, når produktet oplades, og når produktet ikke er i brug.

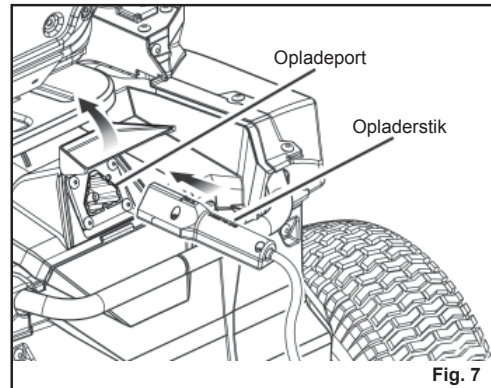


Fig. 7

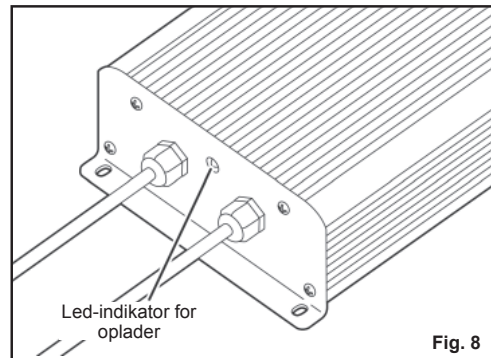


Fig. 8

⚠ ADVARSEL

Efterlad opladeren tilsluttet til plæneklipperen, når den ikke er i brug. Hvis det ikke er muligt at lade plæneklipperen være tilsluttet, skal du sørge for at oplade batterierne mindst en gang om måneden.

⚠ ADVARSEL

Oplad produktet indendørs på et velventileret område. Oplad ikke produktet, hvor der er begrænset plads.

LED-INDIKATOR FOR OPLADER

Status for lader	Forbundet til		LED		Betydning
	Strømforsyning	Plæneklipper	Oplader	Plæneklipper	
Standby	Ja	Nej	Tændt	Slukket	Oplader klar til at oplade et batteri.
Under opladning	Ja	Ja	Tændt	Blinker langsomt	—
Fejl på oplader	Ja	Ja	Slukket	Blinker hurtigt	Batteritemperatur, batterikapacitet eller opladeren kan være defekt.
	<ul style="list-style-type: none"> • Hvis LED-status viser fejl, skal du vente i cirka 15 minutter for at lade batteriet og opladeren køle af. • Hvis LED-statusen gentages endnu en gang, skal du nulstille opladeren eller indsætte batteriet igen. • Hvis en anden opladeren oplades normalt, kan opladeren være fejlbehæftet. • Hvis et andet batteri oplades normalt, kan batterikapaciteten muligvis være defekt. 				
Fuldt opladet	Ja	Ja	Tændt	Tændt	Den hurtige opladning er afsluttet, og opladeren bliver ved med at lade op.
Sammenlåst	Nej	Ja	Slukket	Blinker hurtigt	Stikket er stadig tilsluttet plæneklipperen. Plæneklipperen kan ikke startes.
Problem	Ja	Ja	Tændt	Blinker hurtigt	Batteripakke kan være fejlbehæftet.
	<ul style="list-style-type: none"> • Hvis LED-status viser defekt, skal du nulstille opladeren eller genindsætte batteriet. • Hvis kontrollamperne stadig viser fejl, prøves opladeren med et andet batteri. • Hvis det andet batteri kan oplades normalt, skal det defekte batteri kasseres (se afsnittet om vedligeholdelse). 				

AFSLUTTENDE KONTROLLER

KONTROL AF DÆKTRYK

Kontroller lufttrykket i alle dæk inden brug. Forkert lufttryk påvirker håndtering, styrerespons, trækraft, dæklevetid, niveauskæring og førerkomfort. Kontroller, at dækkene pumpes til det anbefalede tryk (1,6 bar).

BEMÆRK: Mål eller juster kun lufttryk, når dækkene er kolde.

⚠ ADVARSEL

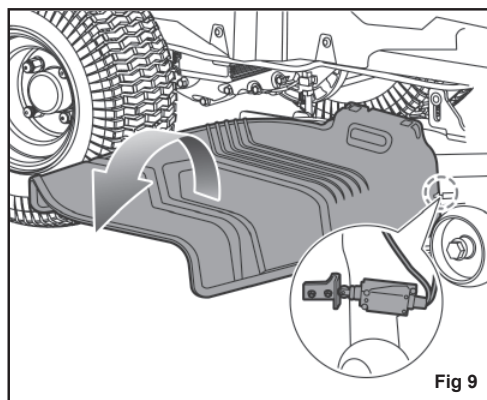
Kontroller dæktrykket omhyggeligt under pumpning. For meget luft i dækket kan få dækket til at sprænges og forårsage alvorlig personskade.

KONTROL AF SIDEUDKASTRØRS SIKKERHEDSLÅSESYSTEM

Se figur 9.

Kontroller inden brug af produktet, at sideudkastørret er lukket forsvarligt. Sideudkastørret har et låsesystem, der stopper klingerne, hvis sideudkastørret åbnes, mens klingerne kører.

Stop med at bruge produktet, og lad det servicere af et autoriseret servicecenter, hvis klingerne ikke stopper, når sideudkastørret løftes under brug af en forhindring.



TEST AF SIKKERHEDSLÅSESYSTEM FOR TILSTEDEVÆRELSE AF OPERATØR

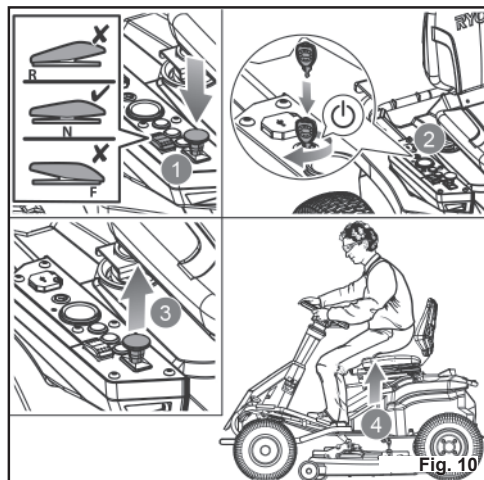
Se figur 10.

Sikkerhedslåsesystemet stopper klingerne, hvis operatøren forlader plæneklipperen, mens klingerne kører. Test systemet inden hver brug for at sikre, at det fungerer korrekt.

1. Sørg for, at retningskontakten er i frigear (N), og klingeaktiveringsgrebet er nede.
2. Isæt startnøglen, og drej nøglen til stillingen TIL.
3. Træk op i grebet til aktivering af klinger for at aktivere klingerne.
4. Rejs dig et kort øjeblik, men uden at forlade plæneklipperen.

Klingerne bør stoppe inden for 5 sekunder. Hvis klingerne ikke stopper, så kontakt et autoriseret servicecenter.

Betjen ikke produktet, før sikkerhedslåsesystemet er blevet repareret.



FUNKTIONER

EN
FR
DE
DA
SV
FI
NO

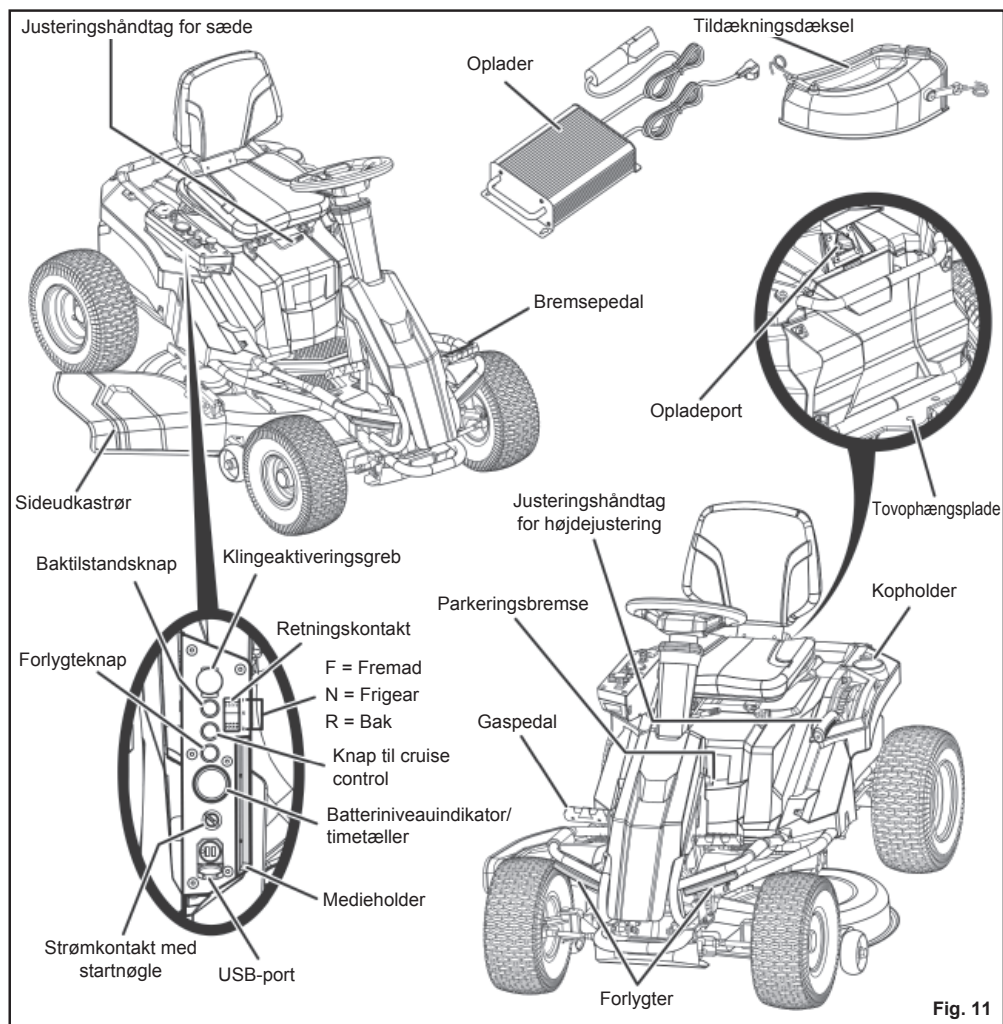


Fig. 11

KEND PRODUKTET

Se figur 11.

Af hensyn til sikkerheden skal du læse og forstå oplysningerne om produktet og denne manual. Sæt dig ind i alle betjeningsfunktioner og sikkerhedsregler inden brug af produktet.

GASPEDAL

Gaspedalen styrer hastigheden på produktet.

BATTERINIVEAUINDIKATOR / TIMETÆLLER

Batteriniveauindikatoren viser den resterende mængde strøm på batteriet. Timetælleren sporer det samlede antal timer, som produktet er blevet brugt (indtastes i stillingen TIL) til vedligeholdelsesformål.

KLINGEAKTIVERINGSGREB

Klingeaktiveringsknap aktiverer eller stopper skæreklingerne. Træk op i klingeaktiveringsknappen op for at aktivere

skæreklingerne. Tryk ned på knappen for at stoppe skæreklingerne.

BEMÆRK: Baktilstandsknappen skal også aktiveres for at kunne klippe baglæns.

BREMSEPEDAL

Bremsepedalen sænker hastigheden eller stopper produktet.

OPLADER

Opladeren genoplader batterierne i plæneklipperen. Den har en ophængningsfunktion til bekvem og pladsbesparende opbevaring. Ved ophæng i nøglehulsslidserne skal du bruge mindst en ekstra skrue i hullet i monteringsflangen til sikkert ophæng på stedet. Monter altid på en sådan måde, at opladerens LED-statuslampe er synlig under opladning.

KNAP TIL CRUISE CONTROL

Cruise control-knappen giver produktet mulighed for at fortsætte fremad med en indstillet hastighed uden at skulle træde på gaspedalen.

JUSTERINGSHÅNDTAG FOR HØJDEJUSTERING

Håndtaget til højdejustering af dæk hæver eller sænker klippedækket.

RETNINGSKONTAKT

Retningskontakten styrer bevægelsesretning for plæneklipperen. Indstillingerne til rådighed er fremad (F), frigear (N) og bak (R).

FORLYGTEKNAP

Forlygteknappen TÆNDER og SLUKKER forlygterne.

MEDIEHOLDER

Medieholdere giver et praktisk sted at opbevare din mobiltelefon eller MP3-afspiller under opladning via USB-porten.

TILDÆKNINGSDÆKSEL

Tildækningsdækslet dækker sideudkastrøret, som gør det muligt for plæneklipperklingen at skære og genskære for at opnå finere afklip.

PARKERINGSBREMSE

Parkeringsbremsen låser produktet i bremseposition.

STRØMKONTAKT MED STARTNØGLE

Strømkontakten TÆNDER og SLUKKER for produktet. Startnøglen skal indsættes, før kontakten kan betjenes. Når nøglen er i tilbehørspositionen, bruges strømkontakten også til at drive valgfrit producentgodkendt tilbehør til plæneklipperen.

SIKKERHEDSLÅSESYSTEM FOR TILSTEDEVÆRELSE AF OPERATØR

Sikkerhedslåsesystem for tilstedeværelse af operatør stopper klingerne, hvis operatøren forlader plæneklipperen, mens klingerne kører.

JUSTERINGSHÅNDTAG FOR SÆDE

Sædejusteringsgrebet flytter sædet til den foretrukne stilling.

SIDEUDKASTRØRETS SIKKERHEDSLÅSESYSTEM

Sideudkastrørets sikkerhedslåsesystem stopper klingerne, hvis sideudkastrøret bliver åbnet, mens klingerne kører.

USB-PORT

USB-ladeporten leverer ladestrøm på 5 V DC ved op til 1 A til din mobiltelefon, MP3-spiller eller andre USB-enheder. Tjek manualen for din enhed for specifikke opladningskrav.

Tilslut den ene ende af et USB-kabel (medfølger ikke) til din enhed og den anden ende til USB-opladningsporten på produktet for at oplade din enhed.

BEMÆRK: USB-porten bliver kun tilført strøm, når starttasten er i stillingen TIL.

⚠ ADVARSEL

Forsøg på at oplade enheder med en effekt på mere end 1 A kan beskadige USB-opladningsporten og plæneklipperen. Luk altid USB-dækslet, når det ikke er i brug for at forebygge opsamling af snavs i porten.

⚠ ADVARSEL

Brug aldrig hovedtelefoner eller andre elektroniske enheder som smartphone eller tablet under betjening af produktet. Svingtende koncentration under betjening af produktet kan resultere i alvorlig tilskadekomst for operatøren eller en tilskuer.

TOVOPHÆNGSPLADE

Tovophængspladen kan bruges til bugsering af laster på højst 226,8 kg (500 lbs.) i vægt.

⚠ ADVARSEL

Du må ikke blive skødesløs, bare fordi du måske føler, at du kender værktøjerne godt. Glem aldrig, at man blot skal være uopmærksom en brøkdal af et sekund for at komme alvorligt til skade.

⚠ ADVARSEL

Vær altid sikkerhedsbriller med sidebeskyttelse. Undladelse heraf kan medføre, at du kan få kastet objekter ind i dine øjne, hvilket kan resultere i alvorlig personskade.

⚠ ADVARSEL

Sluk for produktet, aktiver parkeringsbremsen, og fjern startnøglen. Sørg for, at alle bevægelige dele er stoppet, inden du monterer dele, foretager justeringer, rengør produktet eller forlader produktet uden opsyn. Dette vil forhindre utilsigtet start, der kan forårsage alvorlig personskade.

⚠ ADVARSEL

Undersøg altid produktet for manglende eller beskadigede dele. Kontrollér altid klingerne for skader eller ujævn eller overdreven slitage inden brug. Brug af et produkt med beskadigede eller manglende dele kan medføre alvorlige personskader.

INSTALLATION AF TILDÆKNINGSDÆKSEL

Se figur 12.

Produktet er konfigureret til sideudkast ved forsendelsen. Hvis tildækning foretrækkes:

1. Løft sideudkastret.
2. Placer jordtildækningsdækslet på fligen på plæneklipperens hus.
3. Forbind jordtildækningsdækslets flige til de to sidemonteringspunkter på plæneklipperens dækshus.
4. Frigør sideudkastret.

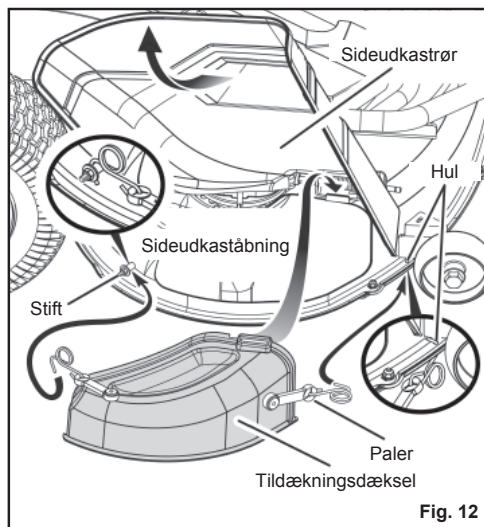
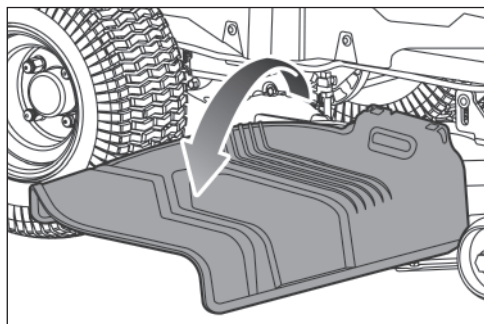


Fig. 12

⚠ ADVARSEL

Kontroller, at sideudkastret lukker fuldstændigt ved afslutning. Gør man ikke det, er der fare for alvorlige personskader.



AKTIVERING AF PARKERINGSBREMSEN

Se figur 13.

Sådan aktiveres parkeringsbremsen:

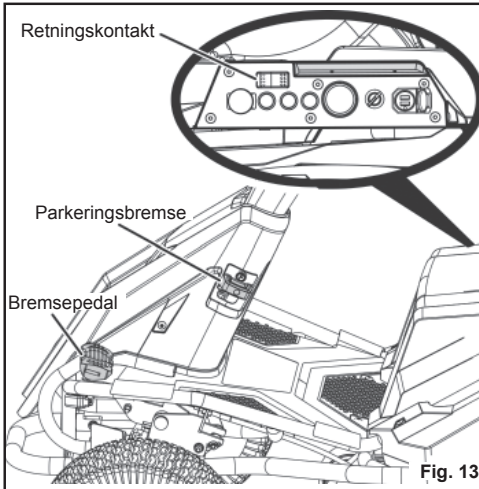
1. Sæt retningsknappen i stillingen frigear (N).
2. Træd og hold på bremsepedalen.
3. Løft parkeringsbremsegrebet helt op, og hold det.
4. Frigør bremsepedalen.
5. Frigør parkeringsbremsens greb.

Sådan deaktiveres parkeringsbremsen:

- Træd på og frigør bremsepedalen.

⚠ ADVARSEL

Efterlad aldrig produktet uden opsyn, når motoren kører. Kontroller, at parkeringsbremsen er aktiveret, og nøglen er blevet fjernet. Manglende aktivering af parkeringsbremsen kan forårsage, at produktet bevæger sig, og en glemt nøgle kan tillade uautoriseret brug, der kan resultere i alvorlig personskade.



JUSTERING AF SÆDET

Se figur 14.

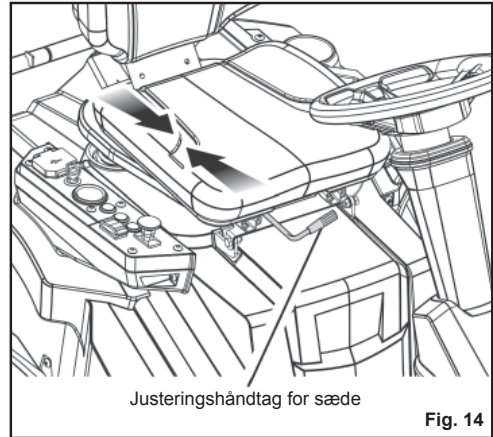
Justér sædepositionen for at sikre, at brugeren er i stand til at komme i kontakt med gaspedalen og bremspedalerne, inden produktet betjenes.

Sådan flyttes sædet:

1. Sæt dig ned på sædet, og løft sædejusteringsgrebet.
2. Mens der holdes i grebet, skal sædet skubbes til den foretrukne position.
3. Slip grebet, og sørg for, at sædet er låst i position, før du betjener produktet.

⚠ ADVARSEL

Sørg for, at sædet bliver låst på plads inden betjening af plæneklipperen. Et sæde, der ikke er sikkert, kan få operatøren til at skifte plads og miste kontrollen over plæneklipperen og resultere i mulig død eller alvorlig personskade.



INDSTILLING AF HØJDE PÅ KLIPPEDÆKKET

Se figur 15.

Før du bruger produktet, skal du hæve dækhøjden til den klippeposition, der er bedst egnet til din græsplæne.

BEMÆRK: For at forhindre, at plænen skal peres, når man støder på høje pletter, skal klippedækkets hjul placeres ca. 1,27 cm fra jorden, når klipperen er i den ønskede klippehøjde. Ved afsendelse bliver klippedækkets hjul indstillet til positionen 3,81 cm (1,5 tommer). Afhængig af din ønskede klippehøjde skal du muligvis ændre positionen for klippedækkets hjul. For at gøre det henvises til afsnittet "Justering af klippedækkets hjul" i denne vejledning.

Sådan justeres klippedækkets højde:

1. Stop produktet, og deaktivér klingerne.
2. Drej startnøglen til FRA-position, og aktiver parkeringsbremsen.
3. Hvis du vil hæve klippedækket, skal du tage fat i dækkets højdejusteringsgreb, skubbe til venstre for at løsne fra spalten, bevæge det i retning af bagsiden på plæneklipperen og derefter skubbe til højre ind i spalten for at fastgøre det.
4. Hvis du vil sænke klippedækket, skal du tage fat i dækkets højdejusteringsgreb, skubbe til venstre for at løsne fra spalten, bevæge det i retning af forsiden på plæneklipperen og derefter skubbe til højre ind i spalten for at fastgøre det.

⚠ ADVARSEL

Hold fast i dækkets højdejusteringsgreb ved indstilling af dækkets højde og først frigøre det, når det er fastgjort i den ønskede spalte. Hvis du slipper grebet hurtigt, kan det medføre en klemning eller trækfare for operatørens hånd.

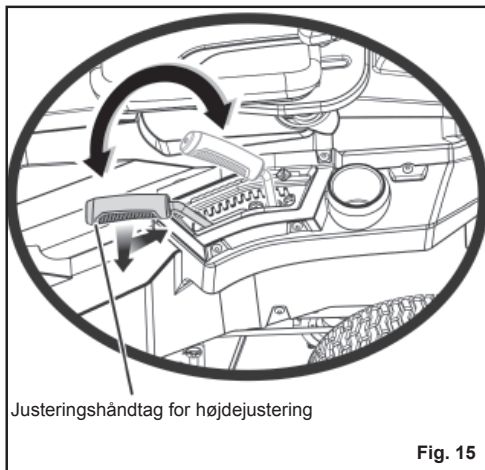


Fig. 15

INDSTILLING AF CRUISE CONTROL

Se figur 16.

Cruise control giver produktet mulighed for at forblive i konstant hastighed, uden at operatøren behøver at opretholde trykket på gaspedalen. Det bør kun bruges i fremadstilling på relativt glatte, lige overflader og bør aldrig bruges på skråninger eller ujævnt terræn.

Sådan indstilles cruise control:

Mens du kører produktet fremad, skal du trykke på gaspedalen, indtil den ønskede hastighed opnås.

1. Tryk på knap til cruise control. Lyset omkring knappen lyser for at indikere, at cruise control er aktiv.
2. Frigør tryk på speederpedalen. Klippehastighed bør forblive konstant.

Sådan frigøres cruise control:

1. Bank på gaspedalen.
2. Frigør bremsepedalen, eller tryk igen på cruise control-knappen igen. Lyset rundt om cruise control-knappen slukker for at indikere, at cruise control ikke længere er aktiv.

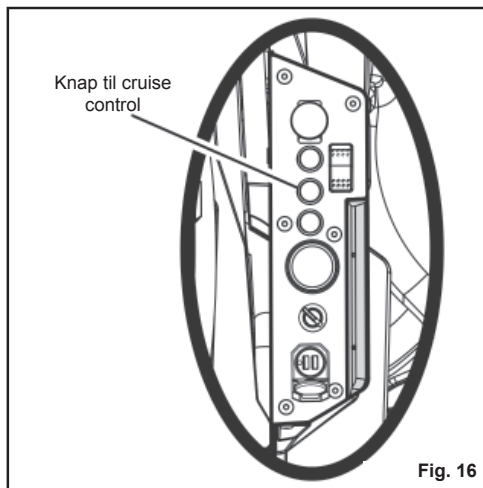


Fig. 16

BRUG AF PRODUKTET

Se figur 17 - 18.

⚠ ADVARSEL

Ryd området for tilskuere inden betjening af produktet. Hvis nogen betræder klippeområdet, så stop omgående, og genoptag ikke klipning, før tilskuere forlader området.

Inden start af produktet

- Kontroller, at arbejdsområdet er ryddet for børn, tilskuere og kæledyr.
- Ryd arbejdsområdet for genstande, der kan blive kastet rundt af plæneklipperens klinger.
- Kontroller bremsens funktion.
- Tjek dæktrykket.
- Kontrollér for løse fastgørelseselementer.
- Sørg for, at alle afskærmninger er på plads og fungerer, som de skal.
- Fjern affald fra plæneklipperen.
- Tjek sideudkaststrørets sikkerhedslåsesystem
- Test af sikkerhedslåsesystem for tilstedeværelse af operatør
- Juster sædet til den foretrukne position.
- Kontroller opladningsniveau for batteri.

⚠ ADVARSEL

Når niveauet for batteriopladning når den røde zone på batteriopladningens indikator, stopper klingerne automatisk. Returner omgående til ladeområdet, og genoplad plæneklipperen. Fortsæt klipning, når batteriets opladningsniveau er i den røde zone, forårsager, at plæneklipperen strander langt væk fra opladningsområdet.

BEMÆRK: Hvis plæneklipperen er strandet væk fra opladeren, skal du indstille retningskontakten til frigearsposition (N) og skubbe plæneklipperen tilbage til opladningsstedet.

Græsklipning:

1. Indstil klippedækket til den maksimale højde.
2. Isæt startnøglen, og drej nøglen til stillingen TIL.
3. Deaktiver parkeringsbremsen.
4. Sæt retningskontakten i stillingen fremad (F), og køр til det ønskede klippested.

⚠ ADVARSEL

Sørg for, at du har indstillet din påtænkte kørselsretning korrekt med retningsknappen, inden du trykker på gaspedalen. Hvis du ikke gør det, kan det føre til, at du kører plæneklipperen i en utilsigtet retning, hvilket kan forårsage tab af kontrol eller en ulykke, der resulterer i død, alvorlig personskade eller materielle skader.

5. Stop plæneklipperen, aktiver parkeringsbremsen, og drej startnøglen til FRA-position.
6. Indstil klippedækket til den foretrukne stilling.
7. Drej startnøglen til positionen TIL, og aktiver parkeringsbremsen.
8. Træk klingens aktiveringsgreb op for at aktivere klingerne, og træd på gaspedalen for at klippe græsplænen.

⚠ ADVARSEL

Vær forsigtig, når du krydser grusstier eller indkørsler. Stop klingerne, før du krydser, og sæt klippedækket på den maksimale højde for at minimere muligheden for tilbagekastning. Køр langsomt for at undgå tab af trækraft og kontrol.

⚠ ADVARSEL

Forsøg ikke at ændre driftsretningen, mens plæneklipperen er i bevægelse. Foretag altid et fuldstændigt stop inden retningskift for plæneklipperen.

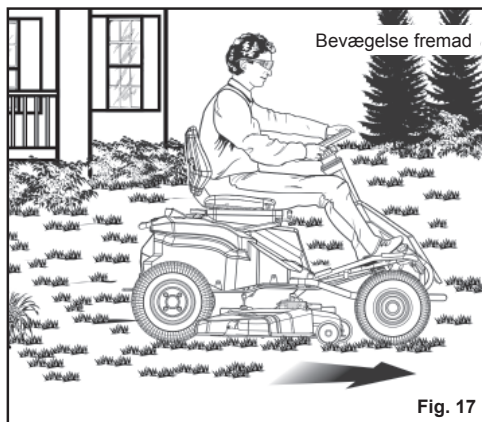


Fig. 17

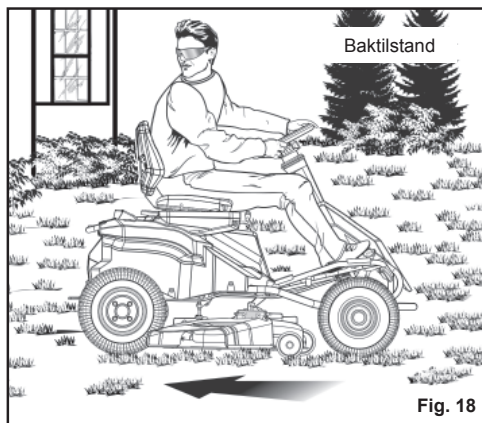


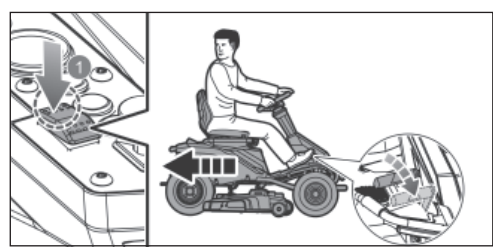
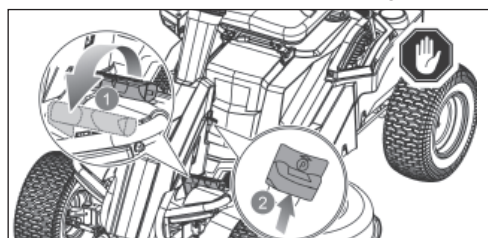
Fig. 18

Betjening i baktilstand:

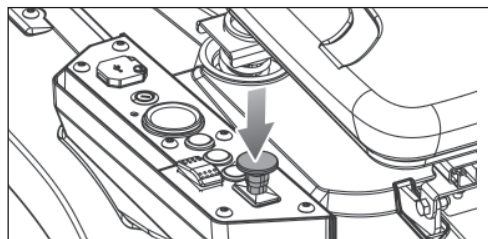
⚠ ADVARSEL

Produktet udsender en konstant biplyd, når det betjenes baglæns med enten klingens slået fra eller i baktilstand.

1. Træd på bremsepedalen, og bring plæneklipperen til et fuldstændigt stop.



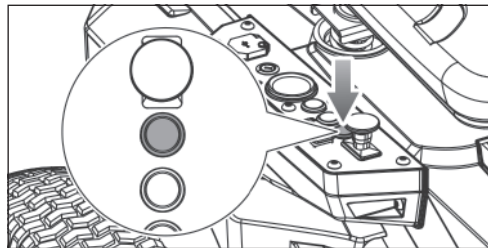
2. Tryk ned på klingens aktiveringsgreb for at stoppe klingerne.



⚠ ADVARSEL

Klip ikke under bakning, medmindre det er absolut nødvendigt. Se altid ned og bagud, før og mens du bakker for at sikre dig, at ingen børn, tilskuere eller kæledyr kommer ind på klippeområdet. Vær opmærksom på, at baktilstandsfunktionen bliver aktiveret, når baktilstandsknappen lyser rødt, og der udsendes en konstant biplyd. Husk, at en skødesløs brøkdæl af et sekund er tilstrækkelig til at påføre død eller alvorlig personskade.

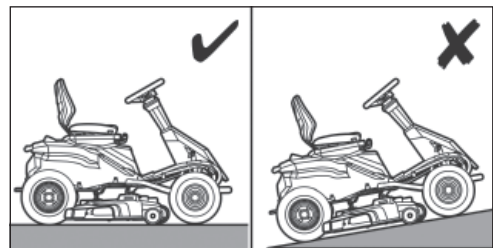
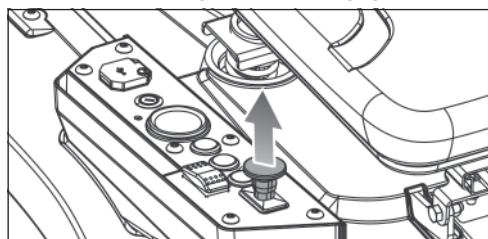
3. Tryk på knappen for baktilstand.



⚠ ADVARSEL

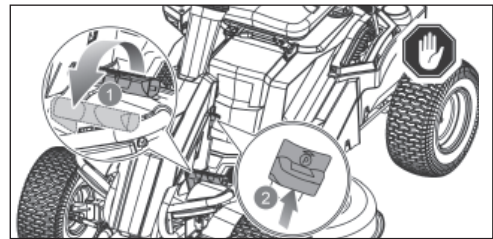
Stop plæneklipperen på en flad, jævn overflade. Stop ikke plæneklipperen på skråninger.

4. Træk op i klingens aktiveringsgreb.

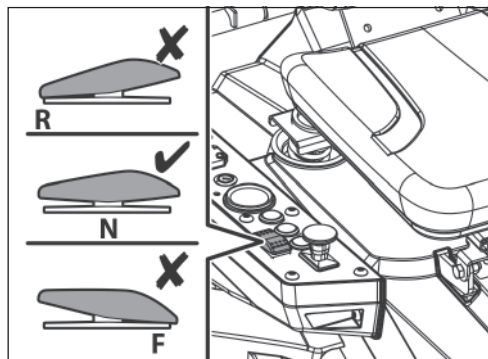


5. Sæt retningsknappen i stillingen bak (R). Træd forsigtigt på gaspedalen, når der er brug for plæneklipping i bakgear.

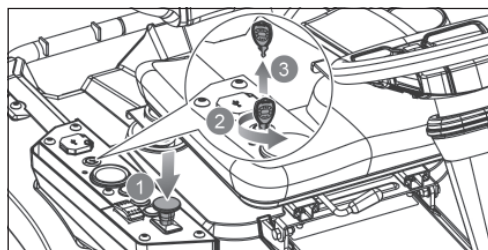
1. Træd på bremsepedalen for at aktivere parkeringsbremsen.



- Sæt retningsknappen i stillingen frigear (N).



- Tryk ned på klingens aktiveringsgreb for at stoppe klingerne. Drej startnøglen til FRA-position, og fjern nøglen.



⚠ ADVARSEL

Hvis produktet udsender en biplyd, når du har forladt sædet, skal du kontrollere, at parkeringsbremsen er aktiveret, og nøglen er blevet fjernet. Manglende aktivering af parkeringsbremsen kan forårsage, at produktet bevæger sig, og en glemt nøgle kan tillade uautoriseret brug, der kan resultere i alvorlig personskade.

BEMÆRK: Betjening i baktilstand nulstiller, hver gang strømkontakten bliver drejet til stillingen FRA.

TIPS TIL GRÆSSLÅNING

Se figur 19.

- Hold plæneklipperens klinger skarpe.
- Sørg for, at græsplænen er fri for sten, pinde, ledninger, legetøj, trænødder, trægrene og andre genstande, der kan beskadige plæneklipper eller motor. Kø

ikke plæneklipperen hen over hegnspæle eller andre metalpæle. Sådanne genstande kan beskadige klingerne eller ved et uheld blive kastet af produktet i enhver retning og forårsage alvorlig personskade på operatøren og andre.

- For at få en sund græsplæne skal man altid klippe en tredjedel eller mindre af græssets længde.

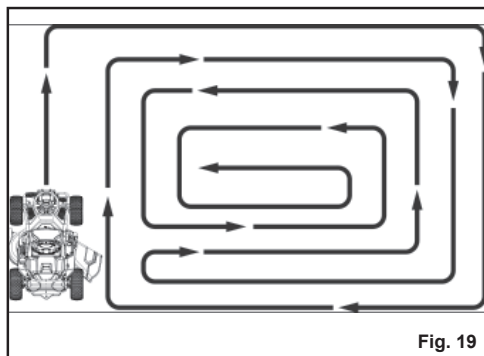


Fig. 19

- Når du klipper store områder, skal du starte med at dreje til højre, så afklip føres væk fra buske, hegn og indkørsler. Efter en eller to runder skal du klippe i modsat retning og foretage drejninger til venstre ind til afslutning.
- Klip på en sådan måde, at udkastet afklip bevæger sig i retning af plæneområdet, der allerede er blevet slået.
- Når du klipper tykt græs, skal du reducere hastigheden for mere effektiv klipning og korrekt udkast af afklip.
- Slå ikke vådt græs. Vådt græs klæber fast på undersiden af dækket og forhindrer korrekt jordtildækning af græsaklip.
- Nyt eller tykt græs kan nødvendiggøre eller smallere klippebane en højere klippehøjde.
- Hold plæneklipperens dæk og sideudkast rene. Fjern græsafklip, blade, snavs og andet akkumuleret affald før og efter hver brug. Oversprøjt ikke produktet med en haveslange for at rengøre.

BEMÆRK: Stop altid produkt, lad klingerne stoppe helt, og fjern startnøglen før rengøring under produktet.

ANVENDELSE PÅ BAKKER

Se figur 20.

⚠ ADVARSEL

Skråninger er en vigtig faktor, hvad angår kontroltab og vælteulykker, som kan resultere i alvorlig personskade eller dødsfald. Anvendelse på bakker kræver ekstra forsigtighed. Hvis du ikke kan bakke op ad skråningen, eller hvis du føler dig utilpas på den, skal du undlade at klippe den. Brug aldrig produktet på stejle skråninger på mere end 15°. Lav en kopi, eller klip "Skråningsvejledning" bagerst i denne vejledning ud, og brug den til at bestemme, om din skråning er for stejl til sikker klipping.

- Klip græsset op og ned og ikke på tværs af skråninger.
- Klip ikke på vådt græs. Vådt græs kan få dækkene til at miste trækraft eller glide på skråninger, selvom bremsene fungerer korrekt.
- Hold øje med huller, riller, sten, buler, eller andre ting, som kan få dig til at snuble eller falde. Højt græs kan genne genstande. Fjern alle ting såsom sten, træstykker osv., som enten kan faldes over eller blive skudt væk fra græsslåmaskinen.
- Der må ikke klippes i nærheden af klippevægge, grøfter eller volde.
- Kør langsomt, og foretag ikke pludselige ændringer i hastighed eller retning.
- Undgå standsning på en skråning, hvis det overhovedet er muligt. Hvis standsning er uundgåeligt, så sørg for at aktivere parkeringsbremsen. Brug lavest mulige hastighed ved genstart. Hvis drejning er nødvendig, skal du udvise ekstrem forsigtighed, når du skifter retning, og drej altid ned ad bakke.
- Forsøg aldrig at stabilisere plæneklipperen på en skråning ved at placere din fod på jorden under kørslen.
- Brug altid bremsene ved kørsel ned ad skråningen. Forsøg aldrig af lade plæneklipperen køre frit ned ad bakke i frigear.

- Hvis dækkene mister trækraft under kørsel på en skråning, skal du deaktivere klingerne og fortsætte langsomt og omhyggeligt lige ned ad skråningen.

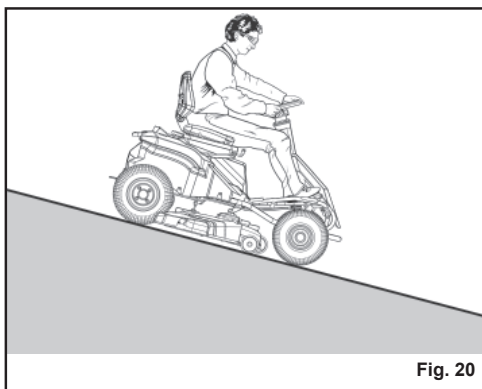


Fig. 20

TRANSPORT AF PRODUKTET

Se figur 21.

⚠ ADVARSEL

Vær forsigtig, når du pålægger eller aflægger produktet på en trailer eller lastbil. Træd på bremsepedalen efter behov for at regulere hastigheden. Plæneklipperen ruller frit, hvis den bevæges på en skrå overflade uden at træde på bremsepedalen eller aktivere parkeringsbremsen. Manglende overholdelse af disse instruktioner kan føre til tab af kontrol og resultere i dødsfald, alvorlig personskade eller materielle skader.

⚠ ADVARSEL

Vær forsigtig, når du pålægger eller aflægger produktet på en trailer eller lastbil. Sørg for, at klippedækket hæves til den højeste position, så det ikke sidder fast på rampen. Hjulene på produktet kan køre af rampen eller traileren, hvilket får produktet til at dreje eller vælte og resultere i knusningsfare, der kan forårsage død eller alvorlig personskade.

1. Parker plæneklipperen på en jævn overflade.
2. Indstil klippedækket til den maksimale højde.
3. Placer og fastgør en rampe på traileren i henhold til producentens instruktioner.

BEMÆRK: Brug en læsserampe i fuld bredde, der er mindst 30,5 cm bredere end plæneklipperen for at minimere risikoen for, at hjulene kører ud over siden på rampen.

4. Kør forsigtigt produktet op på rampen og ind på traileren.
5. Indstil klippedækket til den laveste højde.
6. Sluk for produktet, aktiver parkeringsbremsen, og fjern startnøglen.
7. Fastgør produktet efter behov ved hjælp af stropper eller kabler for at forhindre bevægelse under transport.

⚠ ADVARSEL

For at undgå utilsigtet start eller bevægelse af produktet, der kan resultere i alvorlig personskade, skal du altid fjerne startnøglen og aktivere parkeringsbremsen, når du transporterer produktet.

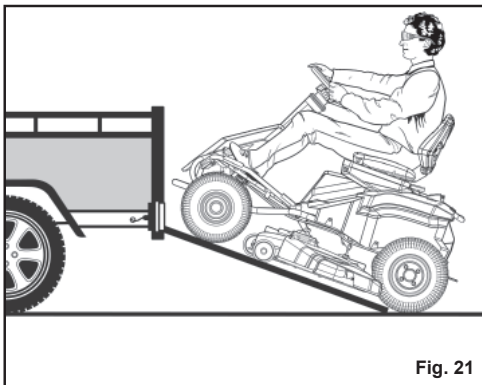


Fig. 21

VEDLIGEHOVELSE AF PRODUKTET

⚠ ADVARSEL

Sluk for produktet, aktiver parkeringsbremsen, og fjern startnøglen. Sørg for, at alle bevægelige dele er stoppet, inden du udfører nogen vedligeholdelsesopgaver for at undgå utilsigtet start og mulig alvorlig personskade.

⚠ ADVARSEL

Vær altid sikkerhedsbriller med sidebeskyttelse. Undladelse heraf kan medføre, at du kan få kastet objekter ind i dine øjne, hvilket kan resultere i alvorlig personskade.

⚠ ADVARSEL

Konsekvenser af forkert vedligeholdelse kan medføre, at produktet eller sikkerhedsfunktionerne ikke fungerer korrekt, hvilket øger risikoen for alvorlig personskade. Hold produktet professionelt vedligeholdt og sikkert.

⚠ ADVARSEL

Brug kun originale reservedele fra maskinproducenten i forbindelse med servicearbejde. Anvendelse af andre dele kan føre til fare eller beskadigelse af produktet.

⚠ ADVARSEL

Overhold nøje alle specifikationer for tilspænding af momentnøglen. Gør man ikke det, er der fare for alvorlige personskader.

⚠ ADVARSEL

Inden hver ibrugtagning skal man inspicere hele produktet for skader, manglende eller løse dele såsom skruer, møtrikker, bolte, dæksler, osv. Spænd alle fastspændingsdele og dæksler til, og tag ikke produktet i brug, før alle manglende eller beskadigede dele atter er monteret. Skal man kontakte et autoriseret servicecenter.

Generel vedligeholdelse

Undgå brug af opløsningsmidler til rengøring af plastdele. De fleste typer plastic kan tage skade ved brug af forskellige opløsemidler. Snavs, støv, olie, fedt, mv., fjernes med rene klude.

⚠ ADVARSEL

Sørg for, at bremsevæske, benzin, petroleumbaserede produkter, penetreringsolie, mv., aldrig kommer i kontakt med plastdele. Kemikalier kan beskadige, blødgøre eller ødelægge plast, hvilket kan medføre alvorlige personskader.

Fjern alle ophobninger af græs og blade på eller rundt om motordækslet. Tør ind i mellem græsslåmaskinen ren med en blød klud. Anvend aldrig vand hertil.

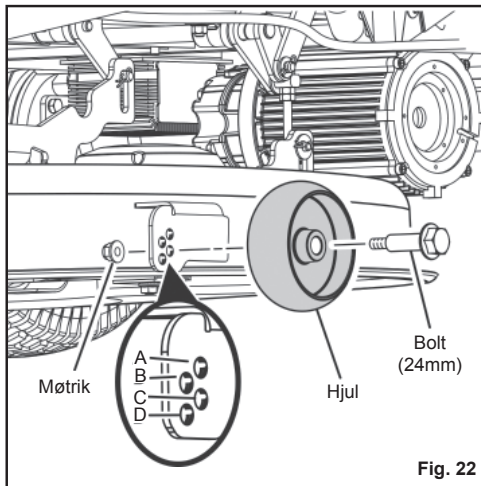
JUSTERING AF HJUL PÅ KLIPPEDÆKKET

Se figur 22.

Klippedækkets hjul skal placeres ca. 1,27 cm fra jorden, når klipperen er i den ønskede klippehøjde. Dette vil i de fleste tilfælde minimere faren for at skalpere plænen. Under forsendelse er hjulene placeret i position A.

Sådan justeres klippedækkets hjul:

1. Parker plæneklipperen på en jævn overflade og aktiver parkeringsbremsen.
2. Sluk for produktet, og fjern startnøglen. Kontrollér, at alle bevægelige dele er standset fuldstændigt.
3. Indstil klippedækket til den foretrukne højdeindstilling.
4. Fjern møtrikken og bolten, der holder klippedækkets hjul på plads.
5. Flyt hjulet til den foretrukne stilling. De tilgængelige hulpositioner er:
 - 3,81 cm. (1,5 in.) (A)
 - 4,44 cm (1,75 in.) (B)
 - 5,08 cm. (2 in.) (C)
 - 5,72 cm (2,25 in.) (D)
6. Sæt bolt og møtrik på igen, og tilspænd forsvarligt. Momentmøtrik til 5,42-8,13 Nm (4-6 ft. lbs.).
7. Gentag trin med det resterende klippedækshjul, og sørg for, at begge hjul er installeret i den samme position



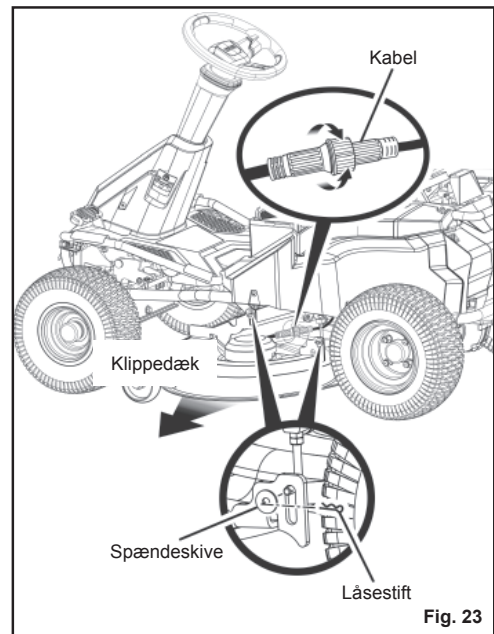
FJERNELSE AF KLIPPEDÆK

Se figur 23.

Klippedækket kan fjernes fra plæneklipperen

for at give nemmere adgang til klingerne ved udskiftning.

1. Sørg for, at retningskontakten er i frigear (N), og klingeaktiveringsgrebet er nede.
2. Sluk for produktet, og aktiver parkeringsbremsen, og fjern startnøglen. Kontrollér, at alle bevægelige dele er standset fuldstændigt.
3. Frakobl kablerne, der forbinder klippedækket med plæneklipperen.
4. Indstil klippedækket til den laveste højde.
5. Fjern de 4 ophængstapper og spændeskiver, der fastholder klippedækket på plads.
6. Skub dækket ud fra under plæneklipperen. Gentag trin i omvendt rækkefølge for at geninstallere klippedækket på plæneklipperen.



UDSKIFT SKÆREBLADET

Se figur 24 - 26.

⚠ ADVARSEL

Brug kun originale udskiftningsklinger og klingebolte godkendt af producenten til din plæneklipper med sæde. Brug af klinger og klingebolte, der ikke er ikke godkendt, er farligt og kan beskadige din plæneklipper med sæde.

1. Sørg for, at retningskontakten er i frigeare (N), og klingeaaktiveringsgrebet er nede.
2. Sluk for produktet, aktiver parkeringsbremsen, og fjern startnøglen.
3. Indstil klippedækket til den maksimale højde for at give adgang til klingerne.

BEMÆRK: Løft om nødvendigt klipperen ved at anbringe en lift eller bruge en donkraft og donkraftstativer, eller fjern klippedækket som beskrevet i det foregående afsnit for at få adgang til klingerne.

⚠ ADVARSEL

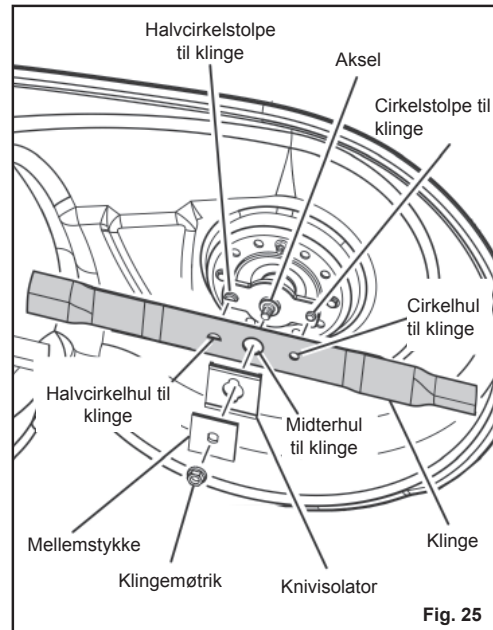
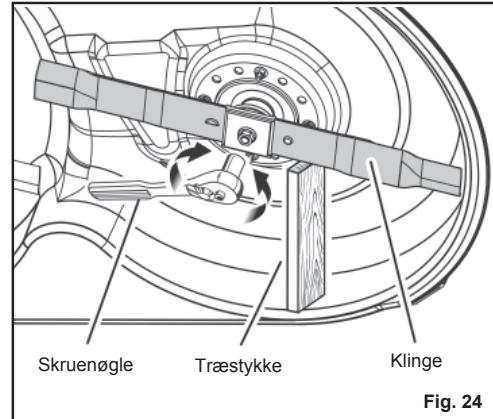
Hvis klipperen hæves for at få adgang til klinger, skal du sørge for, at klipperen er ordentligt fastgjort, og at parkeringsbremsen er aktiveret, inden du fortsætter. Manglende sikring af plæneklipperen kan forårsage, at den svinger, hvilket kan resultere i død eller mulig alvorlig personskade.

4. Placer et stykke træ mellem skærebladet og græsslåmaskinen for at forhindre skærebladet i at rotere.
5. Løsn knivmøtrikken ved at dreje den mod uret (set fra bunden af plæneklipperen) ved hjælp af en 15 mm-nøgle eller -holder (medfølger ikke).
6. Fjern knivmøtrik, mellemstykke, knivisolator og kniv.
7. Placer den nye klinge på akslen mod de tilsvarende klingestolper. Kontrollér, at kniven er ordentligt monteret, så akslen går gennem knivens midterhul, og de to knivbjælker er indsat i de respektive huller i kniven. Sørg for at det er installeret med den bøjede ende pegende op mod græsslåmaskinen og ikke ned mod jorden. Ved rigtig placering bør klingens hvile fladt mod klingestolperne.
8. Geninstaller klingeisolatoren og afstandsstykket, og sørg for, at de flade sider på hvert stykke er på linje, og de rette sider af åbningen på afstandsstykket er på linje med de lige sider af klingeakslen. **BEMÆRK:** Sørg for at alle dele sættes tilbage i nøjagtig samme rækkefølge som de blev taget af.
9. Før klingemøtrikken på akslen, og tilspænd med fingrene.
10. Fastspænd knivmøtrikken med uret med en momentnøgle (medfølger ikke) for at sikre, at bolten er spændt ordentligt til. Det anbefalede tilspændingsmoment for knivmøtrikken er 68 - 74 Nm (600-650 in. lbs.)

⚠ ADVARSEL

Sørg for, at klingens sidder korrekt, og at klingemøtrikken er strammet iht. moment-specifikationerne ovenfor. Hvis man ikke fastgør kniven korrekt, kan den løsne sig og føre til en alvorlig personskade.

Gentag disse trin med den anden klinge om nødvendigt.



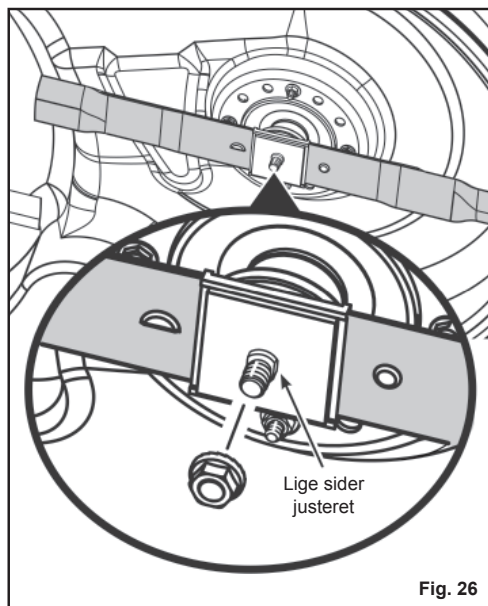


Fig. 26

VEDLIGEHOVELSE AF DÆK

Produktet er forsynet med slangeløse dæk med følgende mål:

- Fordæk: 38,1x15,2x15,2 cm
- Bagdæk: 40,6x16,5x20,3 cm

Dæktryk

Kontroller lufttrykket i alle dæk inden brug. Forkert lufttryk påvirker håndtering, styrerespons, trækraft, dæklevetid, niveauskæring og førerkomfort. Kontroller, at dækkene pumpes til det anbefalede tryk (1,6 bar).

BEMÆRK: Dæktrykket skal kun måles eller justeres, når dækkene er kolde.

⚠ ADVARSEL

Kontroller dæktrykket omhyggeligt under pumpning. For meget luft i dækket kan få dækket til at sprænges og forårsage alvorlig personskade.

⚠ ADVARSEL

Det er meget vigtigt at opretholde korrekt dæktryk. For lavt tryk gør det muligt for dækket at rotere af hjulfælgen. For meget tryk kan få dækket til at sprænges. Manglende opretholdelse af korrekt lufttryk i dækkene kan forårsage problemer med plæneklipperens drift og stabilitet og forårsage alvorlig personskade.

REPARATION AF DÆK

Hvis der opstår en lækage eller et fladt dæk på grund af en punktering, kan dækket repareres ved hjælp af en lap. Hvis skaden er forårsaget af et snit, eller hvis punkteringen ikke kan repareres med en lap, så udskift dækket.

UDSKIFTNING AF DÆK

Når dæk er slidt, mindses plæneklipperens trækraft, hvilket øger risikoen for en ulykke. Udskift dækkene, når dybden på slidbanen er 4 mm eller mindre, eller når som helst ved beskadigelse af dækket. Brug altid originale ombytningsdæk. Brug af uegnede dæk på produktet kan forårsage kontroltab, der kan føre til alvorlige personskader.

Lad kun et autoriseret serviceværksted udskifte dækkene.

JUSTERING AF BREMSER

Se figur 27.

Evnen til at standse klipperen korrekt er kritisk for plæneklippingens sikkerhed. Hvis plæneklipperen kører længere, før du stopper, når du træder på bremsepedalen, trænger bremserne muligvis til justering.

Sådan afprøver man:

1. Stop plæneklipperen på en jævn overflade, og aktiver parkeringsbremsen.
2. Sæt retningsknappen i stillingen frigear (N).
3. Stå bag plæneklipperen, og forsøg at skubbe den fremad. Hvis bagdækkene drejer rundt, trænger bremserne til at blive strammet.

Sådan strammer man:

1. Find bremsejusteringsmøtrikker på indersiden af hvert baghjul.
2. Drej hver justeringsmøtrik 1/4 omdrejning med uret, og prøv så igen at skubbe plæneklipperen.

3. Fortsæt med at rotere hver møtrik 1/4 omdrejning og test, indtil plæneklipperen ikke længere kan flyttes ved at skubbe.

Efter den endelige justering skal du teste bremsene ved at køre plæneklipperen med normal hastighed på fladt underlag for at være sikker på, at plæneklipperen stopper hurtigt, når bremsepedalen trykkes ned.

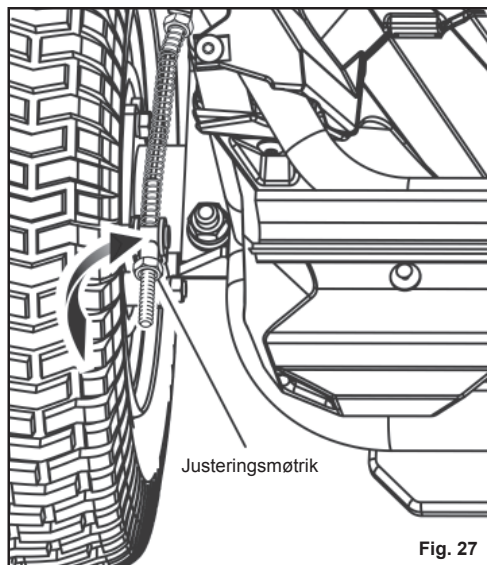


Fig. 27

UDSKIFTNING AF FORLYGTER

Se figur 28.

Kontakt et autoriseret servicecenter for at bestille en ny forlygte.

1. Stop plæneklipperen på en jævn overflade, og aktiver parkeringsbremsen.
2. Sluk for produktet, og fjern startnøglen.
3. Fjern sekskantskruen og sæt den til side sammen med den flade spændeskive, der holder plæneklipperens gulvpanel på plads.
4. Løft gulvpanelet en smule for at få adgang til de to sekskantskruer og de flade skiver, der fastgør og holder forlygten på plads. Fjern skruer og spændeskiver, og sæt dem til side.
5. Frakobl den gamle forlygte og kasser den.
6. Tilslut den nye forlygte, og geninstaller og spænd spændeskiver og skruer forsvarligt.

7. Sænk gulvpanelet, og geninstaller skive og skrue for at fastgøre det.

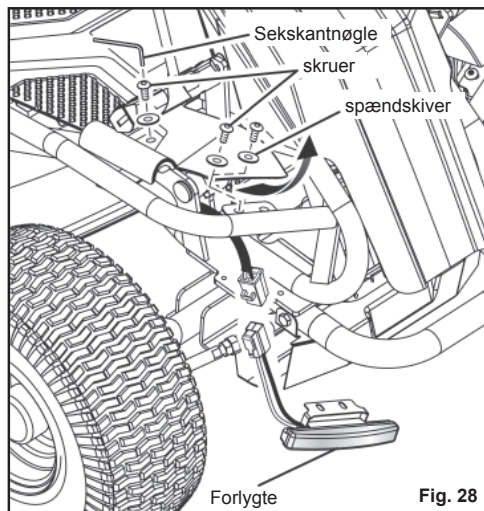


Fig. 28

NIVELLERING AF KLLPPEDÆK

Se figur 29 - 30.

Hvis din græsplæne ser ud til at være klippet ujævnt efter brug af klipperen, skal klippedækket muligvis justeres. Inden beslutning om, at nivellering af klippedæk er nødvendig, skal det sikres, at dækkene er forsvarligt pumpet til det anbefalede tryk inden klipning. Dæk med for meget eller for lidt luft kan påvirke udseendet af klipningen, og korrekt pumpning af dæk er måske det eneste, der er behov for, til at løse problemer med ujævn klipning.

BEMÆRK: Kontroller altid side-til-sidejustering, og juster efter behov inden måling og justering fra for til bag.

Inden du starter:

1. Sørg for, at retningskontakten er i frigear (N), og klingeaktiveringsgrebet er nede.
2. Sluk for produktet, aktiver parkeringsbremsen, og fjern startnøglen.
3. Indstil klippedækket til den maksimale højde.

Sådan foretages side-til-side-justering:

1. Placer klingerne, så enderne peger mod plæneklipperens sider.
2. På den udvendige kant af hvert klinge måles afstanden fra nederste kant af klingens side til jorden. Hvis afstanden

mellem de to sider er større end 0,32 cm. (1/8 tomme), er det nødvendigt med en side-til-side-justering.

3. Løsn låsemøtrikkerne på den side, du ønsker at justere.
4. Drej justeringsmøtrikkerne med uret for at hæve eller mod uret for at sænke siden på klippedækket. Hver fulde omdrejning af justeringsmøtrikken ændrer dækkets højde ca. 0,48 cm. (3/16 tommer).
BEMÆRK: Hvis du løfter siden, skal du først dreje den øverste justeringsmøtrik. Drej ved sænkning den nederste møtrik først.
5. Mål igen afstanden mellem klingens og jorden. Fortsæt med at justere og måle, til forskellen mellem afstanden på hver side er 0,32 cm. (1/8 tomme) eller mindre.
6. Fortsæt til for-til-bag-justering, eller spænd låsemøtrikker for at fastgøre dem.

Sådan foretages justering fra for til bag:

BEMÆRK: Juster altid dækket side til side, inden du foretager en justering fra for til bag.

1. Placer klingens nærmest sideudkastret, så enderne nu peger mod plæneklipperens for- og bagside.
2. Mål afstanden fra spidsen på klingens til jorden. Du opnår det bedste resultat, hvis forreste spids på klingens er mellem 0,32 cm til 0,95 cm. (1/8 tomme til 3/8 tomme) lavere end den bagerste spids.
3. Hvis det er nødvendigt at justere for til bag, skal du dreje justeringsmøtrikkerne med uret for at hæve eller mod uret for at sænke klippedækkets bagkant. Hver fulde omdrejning af justeringsmøtrikken ændrer dækkets højde ca. 0,32 cm. (3/16 tomme).
BEMÆRK: Sørg for at dreje justeringsmøtrikkerne på begge sider lige meget for at forhindre, at måling fra side til side tilsidesættes igen.
4. Mål afstanden mellem klingens og jorden igen for at kontrollere, at den forreste spids er 0,32 cm. til 0,95 cm. (1/8 tomme til 3/8 tomme) lavere end bagerste spids. Hvis ikke, så fortsæt med at justere og måle, til de er.
5. Uden at bevæge justeringsmøtrikkerne skal du stramme låsemøtrikkerne igen for at sikre, justeringsmøtrikkerne er på plads.

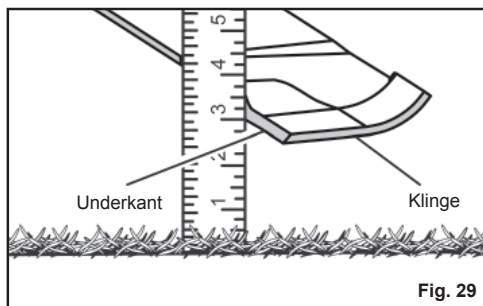


Fig. 29

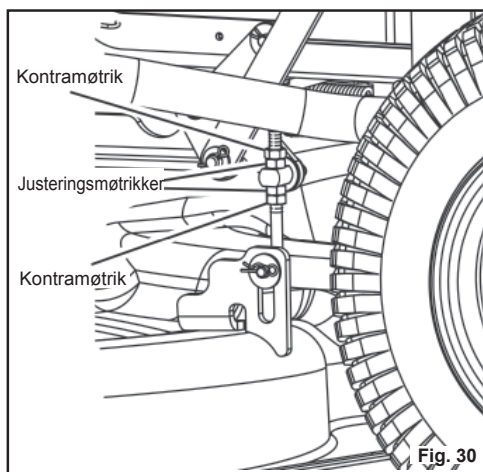


Fig. 30

UDSKIFTNING AF BATTERIET

Se figur 31 - 36.

BEMÆRK: Brug kun RYOBI blysyrebatterier til plæneklipper med sæde, delnr.:5131042607.

Plæneklipperen fungerer på fire 12-volt batterier, der er serieforbundet. Hvis du udskifter et eller flere af batterierne, skal du altid udskifte dem med batterier af samme type med samme spænding og kapacitet.

⚠ ADVARSEL

Brug kun originale blysyrebatterier til udskiftning.

Bland aldrig forskellige mærker og størrelser af batterier i serien. Dette vil til sidst forårsage beskadigelse af batterierne og kan også skade plæneklipperen.

⚠ ADVARSEL

Lad være med at åbne eller beskadige batterierne. Udløbende batterisyre er korrosiv og kan forårsage skader på øjne og hud. Den kan være toksisk ved indtagelse.

Batteriet må ikke afbrændes. Batterierne kunne eksplodere. Kontroller, om lokale forordninger muliggør særlige bortskaffelsesinstruktioner.

Når batteriet ikke bruges, må det ikke opbevares sammen med metalgenstande som fx papirclips, mønter, nøgler, søm, skruer eller andre metalgenstande, som kan skabe forbindelse mellem batteriets poler. Hvis batteriets poler kortsluttes, kan de forårsage gnister, forbrændinger, brand eller eksplosion.

Vær forsigtig med at håndtere batterier for ikke at kortslutte batteriet med ledende materialer som ringe, armbånd og nøgler. Batteriet eller lederen kan overophedes og forårsage forbrændinger.

1. Stop plæneklipperen på en jævn overflade, og aktiver parkeringsbremsen.
2. Sluk for produktet, og fjern startnøglen.
3. Vip sædet på plæneklipperen åbent.
4. Tryk på de to tappe på hver side af kabeldækslet, løft dækslet op, og drej det til den ene side.
5. Fjern og sæt den sekskantede bolt til side, der holder batteribakken på plads.
6. Frakobl lynkoblingsstik til batteri. Dette stik forbinder batterierne til plæneklipperen.
7. Fjern de fire skruer, der holder dækslet til batterirummet på plads.
8. Frakobl termistorstikket. Stikket forbinder batterierne til ladeporten.
9. Fjern de to flangemøtrikker og flangebolte, der holder fronten af batteribakken på plads.
10. Træk batteribakken ud, og lad enden hvile uden for plæneklipperen på en stabil overflade, der kan understøtte en minimumsvægt på 136,1 kg (300 lbs).

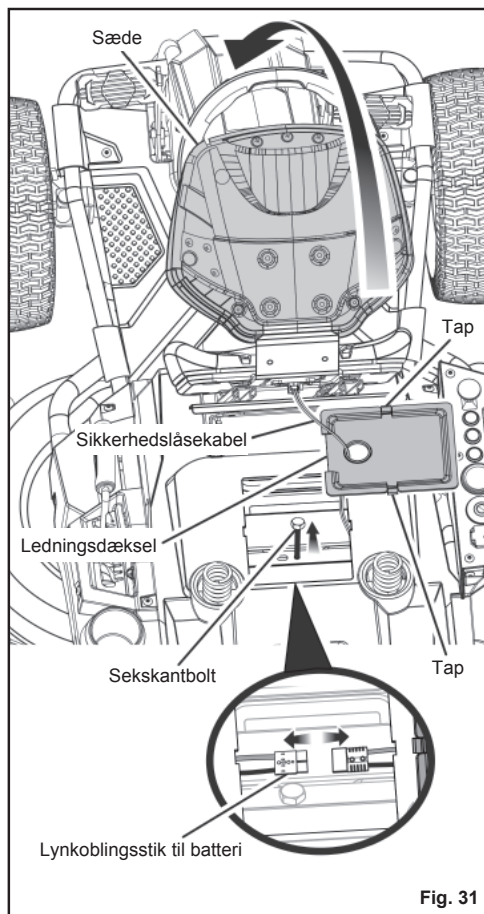


Fig. 31

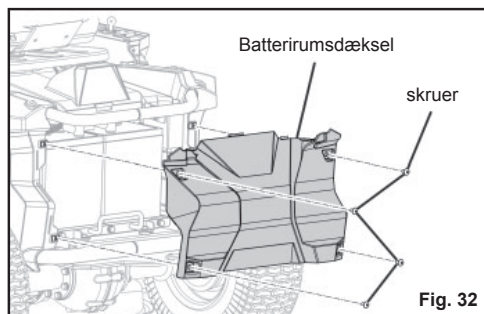
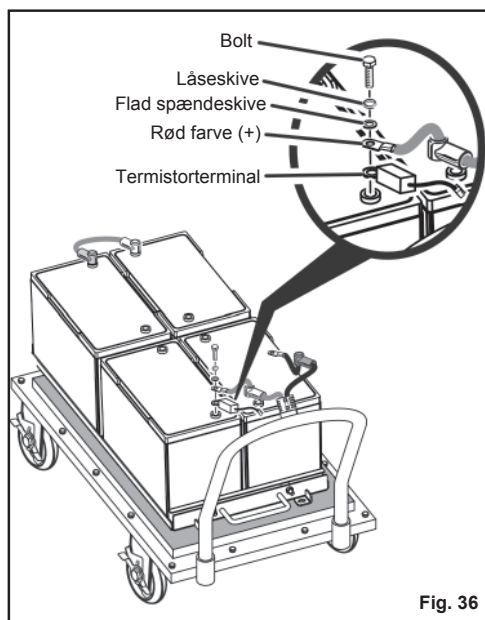
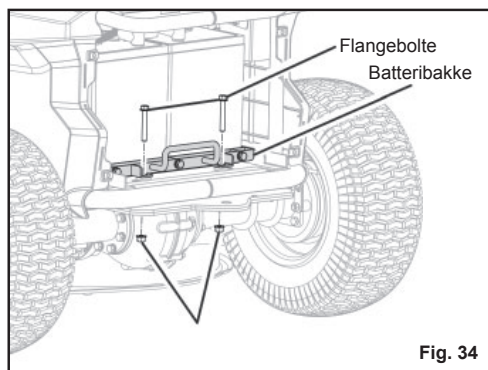
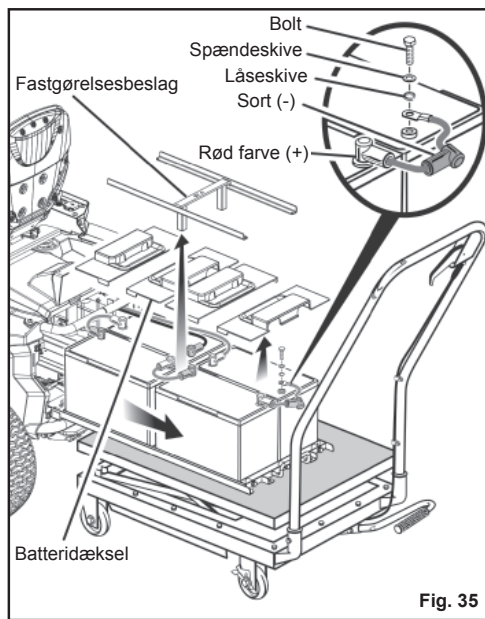
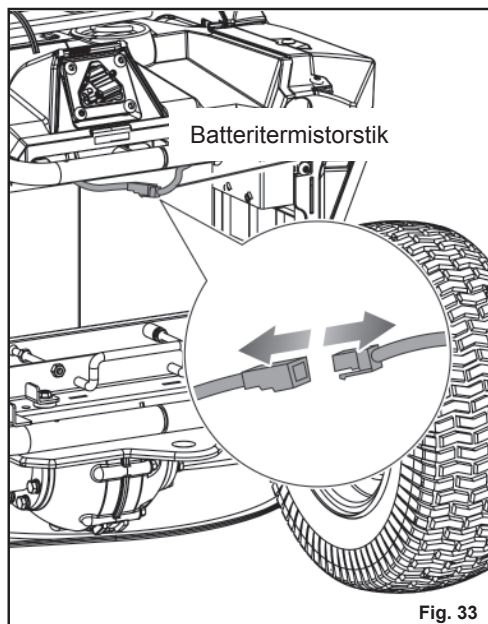


Fig. 32



⚠ ADVARSEL

Batteribakken er meget tung og kræver to personer til forlængelse. Vi anbefaler brugen af en hydraulisk vogn af bordtypen (eller lignende enhed) til at forlænge bakken. Unladdelse af at forlænge og understøtte batteribakken korrekt kan resultere i alvorlig personskade samt skade på plæneklipperen.

⚠ ADVARSEL

Hvis batteriet misbruges, kan der sprøjte væske ud af det; undgå kontakt med batterivæsken. Ved kontakt med batterivæsken skylles der med vand. Hvis væske kommer i kontakt med øjnene, skal der søges lægehjælp. Udsprøjtet batterivæske kan forårsage irritation eller forbrændinger.

11. Løft batteriets sikringsbeslag af batterierne, og sæt det til side.
12. Fjern og sæt batteridækslerne til side til batteriet eller batterierne, der skal udskiftes.
13. Frakobl batteriet eller batterierne, der skal udskiftes.
Frakobl det negative (sorte) kabel først, og derefter det positive (røde) kabel. Vær omhyggelig med ikke at kortslutte på tværs af terminalerne.
BEMÆRK: Når bagkablerne kobles fra, skal du huske placeringen af batteriets termistorterminal på den positive pol. Sørg for at geninstallere terminalen på samme sted.
14. Udskift batteri eller batterier efter behov, og geninstaller kabler. Tilslut først det positive (røde) kabel, derefter det negative (sorte) kabel, og sørg for ikke at kortslutte på tværs af terminalerne.
15. Geninstaller batteridækslerne og batteriets sikringsbeslag.
16. Skub batteribakken tilbage inde i plæneklipperen lige nok til, at du kan tilslutte batteriets lynstik igen.
BEMÆRK: For at opnå tilstrækkelig kraft til at tilslutte igen, er det ofte lettere at oprette forbindelse fra batterirummet i stedet for området under sædet.
17. Når batterierne er tilsluttet plæneklipperen igen, skal du skubbe batteribakken helt tilbage inden i plæneklipperen.
18. Genmonter flangebolte og flangemøtrikker til at fastgøre den udvendige kant på batteribakken. Spændes hårdt til.
19. Genmonter sekskantbolten til at holde batteribakken på plads. Spændes hårdt til.
20. Tilslut batteritermistor igen.
21. Sæt batteridækslet på igen, og installer hardware igen for at sikre det.
BEMÆRK: Sørg for, at tapperne på batterirumsdækslet sidder i åbningerne på plæneklipperens øverste og sidepaneler, før skruerne strammes.

22. Sæt ledningsdækslet på igen, og skub det ned, indtil det låser fast på plads, og sænk derefter sædet.

BEMÆRK: Sørg altid for, at kabelforbindelsen til sikkerhedslåsekablets tilslutning sidder helt fast, når ledningsdækslet sættes på plads.

BEMÆRK: Følg altid sikkerhedsadvarselne, der følger med batteriet. Bortskaf det gamle batteri iht. lokale og statslige forskrifter.

OPBEVARING AF PRODUKTET

Følgende trin skal iværksættes inden opbevaring af produktet:

- Parker plæneklipperen på en jævn overflade, og aktiver parkeringsbremsen.
- Fjern alle ophobninger af græs og blade på eller rundt om motordækslet. Tør plæneklipperen ren med en tør klud. Brug ikke vand til at rengøre produktet.
- Tilslut batteriet til opladning for hele opbevaringsperioden.
BEMÆRK: Hvis det ikke er muligt at lade plæneklipperen være tilsluttet under opbevaring, skal du sørge for at oplade batterierne mindst en gang om måneden. Batterier oplades bedst ved temperaturer fra 0° C til 40° C.
- Gem produktet på et rent og tørt sted, der er utilgængeligt for børn. Opbevar ikke i nærheden af et apparat, der arbejder med åben ild, såsom en vandvarmer, tørretumbler eller ovn.
BEMÆRK: Efterlad ikke startnøglen i produktet under opbevaring.
- Sørg for, at produktet ikke kommer i nærheden af korrosive stoffer såsom havekemikalier og strøsalt.

FORBEREDELSE TIL BRUG EFTER OPBEVARING

Følgende trin skal iværksættes inden brug efter opbevaring af produktet:

- Gennemgå vedligeholdelsesdiagram.
- Foretag fuld opladning af batterierne.
- Kontroller dæktryk, og pump efter behov.
- Kør kort med produktet, og kontroller alle systemer og komponenter for at sikre, at de fungerer korrekt.

VEDLIGEHOLDELSESOVERSIGT

EN
FR
DE
DA
SV
FI
NO

	Inspicér før hver ibrugtagning	Hver 25. time	Hver 50 timer eller årligt	Inden opbevaring	En gang om måneden under opbevaring
Undersøg bremsefunktion	■				
Tjek dæktrykket	■				
Tjek sideudkastrør og sikkerhedslåsesystemer for operatørtilstedeværelse	■				
Kontrollér for løse fastgørelseselementer.	■			■	
Fjern affald fra produktet	■			■	
Tjek/udskift tildækningsklinger	■	■			
Rengør batteriterminaler			■		
Oplad batteriet.	■				■

BEMÆRK: Vedligeholdelse bør udføres mere regelmæssigt, når produktet anvendes på støvede områder.

Når produktet har overskredet de maksimale tal, der er angivet i tabellen, bør vedligeholdelse stadig gennemgås cyklusser i henhold til de tidsintervaller eller timer angivet heri.

Hvis du ikke er sikker på, hvordan man foretager nogen af vedligeholdelsespunkterne ovenstående, så få produktet serviceret udelukkende af et autoriseret servicecenter.

TILBEHØR

Beskrivelse	del nummer
Mulchingblad (før mulching- og sidoutkast)	RAC438 (996516)

⚠ ADVARSEL

Ovenstående er der anført en liste over aktuelt tilbehør og ekstraudstyr, der er til rådighed til brug sammen med produktet. Brug ikke andre dele eller tilbehørsdele end dem, fabrikanten anbefaler til dette apparat. Hvis der anvendes ikke anbefalede dele eller tilbehørsdele, kan man komme alvorligt til skade.

RESERVEDELE

Beskrivelse	del nummer
Tildækningsdæksel	5131042540
Sideudkastrør	5131042541
Forhjul	5131042542
Baghjul	5131042543
Batteri	5131042607

FEJLFINDER

Hvis disse løsninger ikke løser problemet, skal du udelukkende få produktet serviceres af et autoriseret servicecenter.

Problem	Mulig årsag	Løsning
Plæneklipperen vil ikke starte.	Batteriets ladetilstand er lav.	Oplad batteriet.
	Opladeren er tilsluttet til produktet.	Kobl opladeren fra produktet.
	Startnøglen er ikke installeret eller befinder sig i stillingen FRA.	Isæt startnøglen, og drej nøglen til stillingen TIL.
	Dårlige kabelforbindelser til batteri	Tjek og rengør alle batteriforbindelser.
Produktet kan ikke bevæges.	Startnøglen er ikke installeret eller befinder sig i stillingen FRA.	Isæt startnøglen, og drej nøglen til stillingen TIL.
	Parkeringsbremsen er aktiveret.	Deaktiver parkeringsbremsen.
	Retningsknappen ve i stillingen frigear (N).	Placer retningskontakten i den ønskede retning (frem eller tilbage).
	Bremsepedalen er trykket ned, og/ eller gaspedalen er ikke trykket ned.	Frigør bremsepedalen og træd på gaspedalen.
	Operatøren har endnu ikke sat sig helt ned.	Sæt dig helt ned på sædet, tilbagefør køregrebene til frigear, og prøv igen
Plæneklipper klipper græs ujævnt.	Dæktrykket er uensartet.	Tjek dæktrykket i alle fire dæk.
	Plæneklipperens dæk er ikke i vater.	Foretag niveaustilling af klippedæk.
	Klingen er slidt, bøjet, løs eller sløv.	Montér atter kniven.
	Der er en ophobning af affald under produktet.	Rengør undersiden af plæneklipperskjoldet.
	Klippehastigheden er for høj.	Klip ved en lavere hastighed.
Plæneklipperen bioklipper ikke græsset ordentligt.	Afklippede, våde græsstrå klæber fast til plæneklipperens underside.	Vent med at klippe græsset, til det er tørt.
	Græsset er for højt.	Klip en gang med høj klippehøjde, og klip derefter i den foretrukne højde.
	Klingen er slidt, bøjet, løs eller sløv.	Montér atter kniven.
	Klippehastigheden er for høj.	Klip ved en lavere hastighed.
Græsslåmaskinen vibrerer ved høj hastighed.	Klingen er ubalanceret, løs eller overdrevent eller ujævnt slidt.	Montér atter kniven.
	Motoraksel er bøjet.	Stop produktet, fjern startnøglen. Undersøg produktet grundigt for eventuel beskadigelse. Lad produktet servicere af et autoriseret servicecenter inden genstart.

Problem	Mulig årsag	Løsning
Dårligt græsudkast.	Sideudkastrøret eller åbningen er tilstoppet.	Rengør sideudkastrøret og åbningen.
	Græsset er vådt.	Lad græsset tørre inden klipning.
	Klippehastigheden er for høj.	Klip ved en lavere hastighed.
	Græsset er for højt.	Klip en gang med høj klippehøjde, og klip derefter igen i den ønskede højde.
Motor stopper under klipning.	Klippehøjden er sat for lavt.	Sæt klippehøjden højere op.
	Batteriets ladetilstand er lav.	Oplad batteriet.
Klingerne kører ikke rundt.	Batteriets ladetilstand er lav.	Oplad batteriet.
	Sideudkastets låsekontakt bliver ikke påvirket af sideudkastrøret.	Tryk ned på sideudkastrøret, og sørg for, at det trykker sideudkastets låsekontakt med fuld kraft.
	Klingens aktiveringsgreb er nede.	Træk op i klingens aktiveringsgreb.
	Operatøren har endnu ikke sat sig helt ned.	Sæt dig helt ned på sædet.
	Der er en ophobning af affald under plæneklipperen.	Rengør undersiden af plæneklipperskjoldet.
Klingerne kører ikke rundt under bakning.	Muligheden for bakning er deaktiveret.	Tryk på knappen for baktilstand for at aktivere bakning.
	Klingens aktiveringsgreb er nede.	Træk op i klingens aktiveringsgreb.
Produktet opnår ikke fuld hastighed.	Batteriets ladetilstand er lav.	Oplad batteriet.
Klingerne fortsætter med at rotere, efter operatøren har forladt sædet uden at aktivere parkeringsbremsen.	Sikkerhedslåsesystemet fungerer ikke korrekt.	Sørg for, at sikkerhedssystemets sædestik er tilsluttet fuldt ud. Hvis klingerne stadig ikke vil stoppe, så få produktet servicecenteret udelukkende af et autoriseret servicecenter.
Forlygterne fungerer ikke.	Forlygterne er slukket.	Tryk på forlygteknappen for at aktivere forlygterne.
	Forlygterne er beskadiget	Udskift forlygterne.
Batteriet vil ikke oplade.	Battericellerne er dårlige.	Udskift batteriet.
	Kabeltilslutningerne er dårlige.	Tjek og rengør alle batteriforbindelser.

OFTE STILLEDE SPØRGSMAÅL

- Skal plæneklipperen fortsat være tilsluttet opladeren, når den ikke er i brug?
 - Ja, oplad plæneklipperen til stadighed, når den ikke er i brug.
- Hvad er det anbefalede dæktryk, og hvor ofte skal jeg kontrollere lufttrykket i dækkene?
 - Den bedste ydelse opnås med et dæktryk på 1,6 bar. Tjek dæktrykket inden brug.
- Hvad forårsagede, at klingerne stoppede under brug?
 - Tjek batteriets niveauindikator. Dæksmotoren slukkes, når batteriet er lavt, så du får nok tid til at køre tilbage til opladningspladsen. Køb tilbage, og oplad batteriet med det samme.
 - Hvis batteriniveauet ikke er lavt, skal du sænke hastigheden eller hæve klippedækket til et højere niveau. Applikationer med høj belastning kan også medføre, at den ene eller begge motorer stopper.
 - Kontroller inden brug, at sideudkastøret er lukket forsvarligt. Tryk ned på sideudkastøret, og sørg for, at det trykker sideudkastets låsekontakt med fuld kraft.
- Hvorfor accelererer klipperen undertiden, når den kører ned ad bakke, og nogle gange ikke?
 - Af hensyn til din sikkerhed og bedre ydelse er plæneklipperen designet til automatisk at begrænse sin hastighed, når du kører på en skråning, hvilket kan forårsage udsving i hastigheden.
- Hvorfor lyder der en biplyd fra klipperen, når jeg kører baglæns?
 - For at alarmere alle om klipperens placering.
- Hvordan får jeg ved betjening af klipperen den til at stoppe helt?
 - Stop plæneklipperen ved at trykke på bremsepedalen på operatørens venstre side. Dette produkt har ikke en hydrostatisk transmission.
- Hvorfor lyder der en biplyd fra klipperen, når jeg forlader sædet?
 - Parkeringsbremsen er ikke aktiveret, eller startnøglen er stadig på plads og i stillingen TIL. Fjern altid nøglen, når klipperen ikke er i brug.
- Hvornår skal jeg bruge parkeringsbremsen?
 - Aktiver altid parkeringsbremsen, inden du stiger af plæneklipperen.
- Må jeg skylle plæneklipperens dæksel med en haveslange?
 - Rengør ikke produktet med vand. Brug en blæser eller luftkompressor til at rengøre den.

Säkerhet, prestanda och pålitlighet har fått högsta prioritet vid utformningen av din åkgräsklippare.

ANVÄNDNINGSSOMRÅDE

Åkgräsklipparen är endast avsedd för utomhusbruk.

Denna produkt är avsedd för klippning av villaträdgårdar. Klippkniven bör rotera mer eller mindre parallellt mot den yta som ska klippas. Alla fyra hjul måste vara i marken när du klipper.

Produkten bör endast användas för hushållsbruk av vuxna som har fått tillräcklig utbildning gällande riskerna och de förebyggande åtgärder som ska vidtas vid användning av den.

Får ej användas för annat ändamål.

ALLMÄNNA SÄKERHETSFORESKRIFTER

⚠ VARNING

Studera alla säkerhetsvarningar och -instruktioner, illustrationer och specifikationer som följer med denna produkt. Underlåtenhet att respektera dessa föreskrifter kan leda till olyckor som brand, elektriska stötar och/eller allvarliga kroppsskador.

Spara dessa varningar och instruktioner för senare behov.

Termen "elektriskt verktyg" som används i nedanstående säkerhetsföreskrifter används både om elektriska verktyg som ansluts till nätet och om sladdlösa elektriska verktyg.

SÄKERHET PÅ ARBETSPLATSEN

- **Se till att arbetsutrymmet är rent och har en tillräcklig belysning.** Skräpiga och mörka utrymmen inbjuder till olyckor.
- **Använd inte elektriska verktyg i explosiv miljö, t. ex. i närheten av lättantändliga vätskor, gaser eller damm.** Gnistor från elektriska verktyg kan sätta eld på dem eller få dem att explodera.
- **Håll barn, besökare och husdjur på avstånd när du använder ett elektriskt verktyg.** De kan störa dig och få dig att förlora kontrollen över verktyget.

ELEKTRISK SÄKERHET

- **Det elektriska verktygets stickkontakt skall vara anpassad till uttaget. Gör aldrig några ingrepp på stickkontakten. Använd aldrig en adapter med jordade elektriska verktyg.** Du minskar därmed riskerna för elektriska stötar.
- **Undvik all kontakt med jordade ytor (som t. ex. rör, värmeelement, spisar, kylskåp, etc.).** Riskerna för elektriska stötar ökar, om någon kroppsdel är i kontakt med jordade ytor eller med jordförbindelsen.
- **Utsätt inte elektriska verktyg för regn eller fukt.** Riskerna för elstöt ökar, om vatten tränger in i ett elektriskt verktyg.
- **Se till att nätsladden alltid är i gott skick. Håll inte i verktyget i sladden och dra inte i verktyget eller i sladden för att koppla ur det. Håll nätsladden på avstånd från värmekällor, olja, vassa föremål och rörliga delar.** Riskerna för elektriska stötar ökar om nätsladden är skadad eller tilltrasslad.
- **Vid arbete utomhus skall du använda endast förlängningssladdar avsedda för utomhusanvändning.** Du minskar därmed riskerna för elektriska stötar.
- **Om du är absolut tvungen att använda ditt verktyg i en fuktig omgivning, anslut det till ett eluttag som skyddas av en brytare för differentialström (RDD).** Användning av en RDD-anordning begränsar riskerna för elektriska stötar.

PERSONLIG SÄKERHET

- **Var vaksam, titta på vad du gör och använd ditt sunda förnuft när du använder ett elektriskt verktyg. Använd inte verktyget om du är trött, påverkad av alkohol eller droger eller om du tar mediciner.** Glöm inte att om du är ouppmärksam bara bråkdelen av en sekund kan du skada dig allvarligt.
- **Använd skyddsanordningar. Skydda alltid ögonen.** Beroende på arbetsförhållandena bör du även använda en skyddsmask mot damm, halksäkra skor, en skyddshjälm eller hörselskydd för att undvika risker för allvarliga kroppsskador.
- **Undvik oavsiktlig igångsättning. Kontrollera att strömbrytaren är ställd på "av" innan du ansluter verktyget till ett uttag och/eller lägger i batteriet, liksom då du tar eller transporterar**

verktyget. För att undvika risker för olyckor skall du inte bära omkring verktyget med fingret på avtryckaren och inte ansluta det om strömbrytaren är i påslaget läge.

- **Plocka bort spännycklarna innan du sätter i gång verktyget.** En spännyckel som är fäst i en rörlig del av verktyget kan förorsaka allvarliga kroppsskador.
- **Se till att du alltid håller balansen. Stå stadigt på båda benen och sträck inte ut armen för långt.** En stabil arbetsposition gör att man bättre kan kontrollera sitt verktyg, om någonting oförutsett händer.
- **Använd lämpliga kläder. Ha inte lösa kläder eller smycken. Håll hår och kläder på avstånd från rörliga delar.** Lösa kläder, smycken och långt hår kan fastna i rörliga delar.
- **Om verktyget levereras med en anordning som suger upp damm, skall du se till att den monteras och används på rätt sätt.** Du minskar därmed riskerna för olyckor.
- **Även om du har god kännedom och lång erfarenhet i fråga om verktygsanvändning, kom ihåg att beakta alla säkerhetsprinciper för verktygsanvändning.** Ansvarslöst beteende kan leda till allvarliga olyckor på bråkdelen av en sekund.

ANVÄNDNING OCH UNDERHÅLL AV ELEKTRISKA VERKTYG

- **Kör inte verktyget för hårt. Använd ett verktyg som är anpassat till det arbete du vill utföra.** Verktyget är effektivare och säkrare om det används med den hastighet som det är konstruerat för.
- **Använd inte ett elektriskt verktyg, om det inte går att sätta i gång det och stoppa det med strömbrytaren.** Ett verktyg som inte kan sättas på och stängas av korrekt är farligt och måste absolut repareras.
- **Koppla ur kontakten ur strömkällan och/eller plocka ut batteriet, om borttagbart, ur det eldrivna verktyget före eventuella justeringar, byte av tillbehör eller vid förvaring av eldrivna verktyg.** Du minskar då riskerna för oläglig igångsättning av verktyget.
- **Förvara elektriska verktyg utom räckhåll för barn. Låt inte personer som inte känner till verktyget eller inte har tagit del av dessa säkerhetsföreskrifter**

använda det. Elektriska verktyg är farliga i händerna på ovana personer.

- **Underhåll av eldrivna verktyg och tillbehör. Kontrollera att ingen del är skadad. Kontrollera monteringen och alla andra delar som kan påverka verktygets funktion.** Om någon del är skadad, låt reparera verktyget innan du använder det. Många olyckor beror på en slarvig skötsel av verktygen.
- **Kom ihåg att hålla verktygen rena och vässade.** Ett väl slipat och rent skärverktyg riskerar mindre att blockeras och du kan då kontrollera det bättre.
- **Använd ditt elektriska verktyg, dess tillbehör, bits, osv. enligt dessa föreskrifter och ta hänsyn till användningsförhållandena och önskade tillämpningar.** Använd ditt elektriska verktyg endast för arbeten till vilka det är anpassat, för att undvika farliga situationer.
- **Håll handtag och greppytor torra, rena och fria från olja och fett.** Hala handtag och greppytor borgar inte för säker hantering av och kontroll över verktyget i oväntade situationer.

VIKTIGA SÄKERHETSFÖRESKRIFTER FÖR SLADDLÖSA VERKTYG

- **Ladda upp batteriet i ditt verktyg endast med den laddare som anges av fabrikanten.** En laddare som är anpassad till en viss typ av batteri kan förorsaka brand, om den används med batterier av en annan typ.
- **Endast en särskild typ av batteri får användas med ett sladdlöst verktyg.** Användning av andra slags batterier kan förorsaka brand.
- **Då batteriet inte används ska det hållas på avstånd från metallföremål som t. ex. gem, mynt, nycklar, skruvar, spikar eller andra föremål som kan förbinda kontakter sinsemellan.** Kortslutning av batteripolerna kan förorsaka brännskador eller brand.
- **Undvik all kontakt med batterivätska, i händelse av läcka från batteriet p.g.a. en felaktig användning. Om detta ändå händer, skölj omedelbart det berörda området med en stor mängd rent vatten.** Om du får vätska i ögonen, sök



även läkarhjälp. Vätska som strömmar ut ur ett batteri kan förorsaka irritationer eller brännskador.

- **Använd inte ett batteri eller verktyg som är skadat eller modifierat.** Skadade eller modifierade batterier kan uppvisa oförutsägbara egenskaper som kan leda till brand, explosion eller risk för skador.
- **Utsätt inte ett batteri eller verktyg för eld eller för höga temperaturer.** Exponering för brand eller temperaturer över 130°C kan orsaka explosion.
- **Följ alla laddningsinstruktioner och ladda inte batteriet eller verktyget utöver det temperaturintervall som anges i anvisningarna.** Felaktig laddning eller laddning utöver det angivna intervallet kan skada batteriet och öka brandrisken.

UNDERHÅLL

- **Alla reparationer måste utföras av en kompetent tekniker, som använder endast ursprungliga reservdelar.** Du kan då använda ditt elektriska verktyg i all trygghet.
- **Utför aldrig service på ett skadat batteri.** Service på batterier får bara utföras av tillverkaren eller auktoriserade serviceleverantörer.

SÄKERHETSVARNINGAR FÖR ÅKGRÄSKLIPPARE

UTBILDNING

- När man använder produkten måste säkerhetsföreskrifterna följas. För din egen, och andra närvarandes säkerhet, läs alltid dessa instruktioner innan du använder produkten. Förvara instruktionerna på ett säkert ställe för användning vid senare tillfälle.
- Tillåt endast ansvariga vuxna, som är förtrogna med och förstår instruktionerna, att använda produkten.
- Bekanta dig med reglagen och rätt användning av produkten.
- Använd alltid säkerhetsanordningar. Använd inte produkten utan att sidoutkastet är på plats och fungerar korrekt. Skyddet som används vid mulchning ska vara korrekt monterat och fungera korrekt under mulchning.

- Var medveten om eventuella faror när du inte använder produkten eller när du byter tillbehör. Du minskar därmed riskerna för brand, elstöt eller allvarliga kroppsskador.
- Låt aldrig passagerare eller barn åka med, även om bladen har stannat. De kan ramla av och skadas allvarligt eller störa säker drift av produkten. Barn som tidigare fått åka med kan plötsligt dyka upp i klippområdet för att få åka igen och köras över eller backas på av produkten.
- Kom ihåg att användaren är ansvarig för olyckor och faror som uppstår för andra människor och deras egendom.
- Se till att barn eller personer med nedsatt fysisk eller psykisk förmåga, eller personer som inte är bekanta med dessa instruktioner, aldrig använder, rengör eller utför underhåll på produkten. Lokala regler kan åldersbegränsa användningen av gräsklipparen. Barn ska alltid övervakas så att de inte leker med produkten.
- Följ tillverkarens instruktioner för korrekt användning och montering av tillbehör. Använd endast tillbehör som är godkända av tillverkaren. Användning av andra tillbehör kan öka risken för skador.
- Mixtra aldrig med en säkerhetsanordnings avsedda funktion eller minska skyddet som en säkerhetsanordning ger. Kontrollera regelbundet att säkerhetsanordningarna fungerar.
- Mixtra aldrig med säkerhetsanordningar. Kontrollera regelbundet att säkerhetsanordningarna fungerar.
- Använd aldrig produkten om personer, särskilt barn, uppehåller sig inom 15 meters radie på grund av faran med föremål som kan komma flygande genom kontakt med kniven.
- Använd inte produkten om det finns risk för blixtnedslag.
- Använd inte produkten vid dålig belysning. Operatören måste ha god överblick över arbetsområdet för att upptäcka potentiella faror.
- Håll händer och fötter borta från klippområdet, som är beläget under klippagregatet och inuti sidoutkastet. Håll dig alltid borta från sidoutkastets öppning. Rör inte under klippagregatet.
- Följ anvisningarna för byte av tillbehör.





FÖRBEREDELSE

- Använd tjocka långbyxor, långa ärmar och stadiga halksäkra skor. Bär inte korta byxor eller sandaler, gå inte heller barfota. Undvik att bära kläder som sitter löst eller som har hängande bälten och slips.
- Bär alltid säkerhetsglasögon med sidoglas. Använd en ansiktsmask om användningen är dammig.
- Föremål som träffas av bladet kan orsaka allvarliga personskador. Inspektera noggrant arbetsområdet där maskinen ska användas och ta bort alla stenar, pinnar, metallföremål, strängar, ben, leksaker eller andra främmande föremål. Obs! Band eller kablar kan trassla in sig i bladen.
- Innan användning ska du alltid inspektera produkten visuellt för att säkerställa att blad, knivmuttrar och klippenheten inte är slitna eller skadade.
- Byt ut slitna eller skadade blad och muttrar i uppsättningar för att bibehålla balans.
- Ersätt slitna och skadade delar innan produkten används.
- Rikta aldrig utkastat material mot någon. Planera klippmönstret för att undvika att material kastas mot människor, vägar, trottoarer, fönster och bilar. Undvik också att kasta ut material mot väggar eller hinder som kan få materialet att studsas tillbaka mot användare.

ANVÄNDNING

- Produkten måste startas med användaren ordentligt sittande på sätet och bakom ratten. Starta aldrig produkten om:
 - alla fyra hjulen inte är på marken
 - sidoutkastet är exponerat och skyddas inte av uppsamlaren eller mulchingskyddet
 - alla personers händer och fötter inte är borta från skärknivsinkapslingen
- Frigör bladen när produkten inte används.
- Använd aldrig produkten i ett stängt område.
- Stoppa bladet när du kör över grusytor för att undvika att skjuta iväg grus och stenar. Kör produkten långsamt och försiktigt för att inte förlora kontrollen.
- Slå på motorn försiktigt enligt instruktionerna och håll händer och fötter

borta från bladen. Placera inte händerna eller fötterna nära eller under roterande delar.

- Klipp inte medan du backar om det inte är absolut nödvändigt. Titta alltid nedåt och bakåt innan och medan du backar.
- Innan och medan du backar, titta bakåt och nedåt efter barn, människor och husdjur.
- Var extra försiktig när du närmar dig hörn utan fri sikt, buskar, träd eller andra föremål, inklusive överhängande buskar som kan blockera ditt synfält.
- Sakta ner innan du svänger.
- Slänter är en stor faktor i samband med att föraren tappar kontroll över gräsklipparen eller välter, vilket kan leda till allvarliga skador eller dödsfall. Användning i sluttningar kräver extra försiktighet. Om du inte kan backa uppför slänten eller om det känns obehagligt att göra det, klipp den inte. Använd aldrig produkten i branta slänter med lutning på över 15°. Gör en kopia eller klipp ut "Släntguiden" på baksidan av den här manualen och använd den för att avgöra om din slänt är för brant för att klippas på ett säkert sätt.
 - Försök aldrig köra i en brant slänt eller att klippa en slänt med större lutning än 15°.
 - Klipp uppåt och nedåt; inte längs med slänter.
 - Undvik hål, hjulspår, gupp, stenar och andra dolda föremål. Ojämn terräng kan välta produkten. Högt gräs kan dölja hinder.
 - Använd en långsam hastighet så att du inte behöver stanna plötsligt eller råkar gasa av misstag när du är i en slänt.
 - Klipp inte på vått gräs när du är i en slänt. Däcken kan tappa greppet och du kan förlora kontrollen.
 - Riktningsskontrollen ska alltid vara i framåtläge när du kör nerför slänter. Växla inte till friläge och eller låt gräsklipparen åka fritt nedåt, detta kan leda till att du förlorar kontrollen över produkten.
 - Undvik att starta, stoppa eller vända i en slänt. Om däcken tappar greppet, frigör bladen och fortsätt långsamt rakt nedför slänten.



- All rörelse i slänter ska vara långsam och gradvis. Gör inga plötsliga förändringar i hastighet eller riktning, detta kan få produkten att välta.
- Var extra försiktig när du använder produkten med tillbehör; detta kan påverka produktens stabilitet. Använd inte i branta slänter med en lutning på över 15 °.
- Försök inte att stabilisera produkten genom att sätta ned foten på marken.
- Använd inte produkten vid höjdskillnader, diken, alltför branta lutningar eller kullar. Produkten kan plötsligt välta om ett hjul går över kanten eller om kanterna ger efter och kan leda till dödsfall eller allvarlig personskada.
- Lämna aldrig produkten påslagen utan uppsikt. Stäng alltid av bladen, slå på parkeringsbromsen, stanna motorn och ta bort startnyckeln innan du stiger av.
- Se upp för trafik när du kör nära vägar. Använd inte gräsklipparen på vägbanor.

YTTERLIGARE SÄKERHETSVARNINGAR FÖR LADDARE

- Laddaren är endast avsedd för inomhusbruk.
- Ladda inte om primärbatterier (icke återuppladdningsbara).
- Kontrollera alltid elkabeln före användning. Om det finns tecken på skada ska den bytas ut av utbildad tekniker på godkänt servicecenter för att undvika skaderisk.
- Ladda produkten inomhus, i ett välventilerat område. Ladda inte produkten i ett trångt utrymme.
- Laddaren är utrustad med en kontakt med ett jordningsstift och måste anslutas till ett matchande uttag som är korrekt installerat och jordat i enlighet med alla lokala regler och förordningar. Använd inte adaptrar och modifiera inte den medföljande kontakten. Om stickkontakten inte passar i vägguttaget måste den bytas ut mot en lämplig kontakt, bytet måste utföras av en behörig elektriker.

YTTERLIGARE SÄKERHETSVARNINGAR FÖR BATTERIER

⚠ VARNING

För att undvika den fara för brand, personskador eller produktskador som orsakas av en kortslutning, doppa inte ner verktyget, batteripaketet eller laddaren i vätskor och se till att ingen vätska kan tränga in i apparaterna eller batterierna. Korroderande eller ledande vätskor, som saltvatten, vissa kemikalier, blekningsmedel eller produkter som innehåller blekmedel, kan orsaka en kortslutning.

⚠ VARNING

Risk för brand, explosion eller brännskador. Batteripaketet får inte tas isär, utsättas för värme över 60 ° eller brännas.

- Batteripaketet innehåller syra. Om syra kommer i kontakt med hud eller kläder, spola genast med vatten i tio minuter. Om vätskan kommer i kontakt med ögonen, kontakta också läkare.
- Ladda inte batteripaket som visar tecken på läckage. Kassera dem på korrekt sätt.

BORTTAGNING AV BATTERIPACK OCH FÖRBEREDELSE INNAN DET KAN ÅTERVINNAS

För att spara på våra naturresurser ska batteripack alltid återvinnas eller kastas på korrekt sätt. Produkten innehåller blybatterier. Det kan enligt lokala bestämmelser vara förbjudet att slänga blybatterier i soporna. Rådfråga de lokala myndigheter som är ansvariga för avfallshandling för att få information om kassering och/eller återvinning.

⚠ VARNING

Täck över batteripackets kontaktytor med kraftig tejp när det har tagits bort från verktyget. Försök inte att förstöra eller plocka isär batteripacket eller någon av dess komponenter. Blybatterier måste återvinnas eller kasseras på rätt sätt. Ta aldrig på båda kontaktytorna samtidigt med kroppen eller med metallföremål eftersom det kan kortslua batteriet. Håll på avstånd från barn. Om dessa varningar inte efterföljs kan det resultera i en brand och/eller allvarliga skador.

TRANSPORT OCH FÖRVARING

- Stäng av produkten, slå på parkeringsbromsen och ta ur startnyckeln. Se till att samtliga rörliga delar har stannat helt. Låt produkten svalna före du förvarar eller transporterar den i ett fordon.
- Ta bort allt främmande material från produkten. Förvara den svalt och välventilerat på en plats där barn inte kan komma åt den. Startnyckeln ska också tas ur och förvaras på en separat plats utom räckhåll för barn.
- Håll produkten borta från frätande ämnen, såsom trädgårdskemikalier och vägsalt. Förvara inte produkten utomhus.
- Var extra försiktig när du lastar på eller av produkten från en släpvagn eller lastbil. Trampa på bromspedalen efter behov för att kontrollera hastigheten. Produkten rullar fritt om den förflyttas på en lutande yta utan att trampa på bromspedalen eller slå på parkeringsbromsen. När produkten lastas på eller av får den maximala rekommenderade vinkeln på 15 ° inte överskridas.

⚠ VARNING

Var extra försiktig då maskinen lyfts eller lutas för underhåll, rengöring, förvaring eller transport. Knivarna är mycket vassa. Se till att alla kroppsdelar är på säkert avstånd då kniven exponeras.

TRANSPORTERA BLYBATTERIER

Transportera batterier enligt lokala och nationella riktlinjer och föreskrifter.

Följ alla särskilda krav på förpackning och etikettering vid transport av batterier som utförs av tredje part. Se till att inga batterier kan komma i kontakt med andra batterier eller ledande material under transporten genom att skydda exponerade kontaktytor med isolerande, icke ledande överdrag eller tejp. Transportera aldrig batterier som har spruckit eller som läcker. Kontrollera med det transporterande företaget för vidare rådgivning.

SÄKERHETSVARNINGAR FÖR BOGSERING

⚠ VARNING

Var mycket försiktig vid bogsering av produkten. Knivarna är mycket vassa. Se till att alla kroppsdelar är på säkert avstånd då kniven exponeras.

- Använd sunt förnuft när du bogserar. För tung last när du befinner dig i en sluttning är farligt. Däck kan tappa greppet och leda till att du förlorar kontrollen över produkten.
- Följ tillverkarens rekommendationer för hjulvikter eller motvikter.
- Den totala bogserade vikten får inte överstiga den maximala bogseringslasten på 226,8 kg.
- Fäst bogseringsutrustningen endast vid fästplattan.
- Låt aldrig barn eller andra stå på bogseringsutrustningen.
- Stoppavståndet ökar med hastigheten och vikten på lasten som bogseras. Färdas långsamt och tillåt extra tid och avstånd för att stanna.
- Gör inga skarpa svängar när du bogserar. Var extra försiktig när du svänger eller kör under ogynnsamma vägförhållanden. Var försiktig vid backning.

UNDERHÅLL

⚠ VARNING

Använd enbart reservdelar och tillbehör från tillverkaren. Om inte kan det eventuellt orsaka skador, sämre resultat och kan upphäva garantin.

⚠ VARNING

Att serva produkten kräver extrem försiktighet och kunskap och bör endast utföras av en kvalificerad servicetekniker. Produkten får endast repareras på ett auktoriserat servicecenter. Under servicearbete ska enbart tillverkarens originaldelar användas.

- Underhåll produkten med försiktighet och håll den i gott skick. Håll bladen vassa och



skydden på plats och i funktionsdugligt skick. För att förhindra allvarlig personskada, skador på produkten och för att bibehålla bästa prestanda ska skadade, böjda, spruckna eller ojämnt slitna blad bytas ut. Ett obalanserat blad orsakar vibrationer som kan skada motordrivningen eller orsaka personskador.

- Gör aldrig några justeringar eller reparationer medan motorn är igång och bladen rör sig.
- Ta bort startnyckeln från produkten innan du förvarar, underhåller eller byter tillbehör. Dessa säkerhetsåtgärder minskar risken för att produkten ska spontanstarta.
- Stäng av produkten, slå på parkeringsbromsen och ta ur startnyckeln. Se till att samtliga rörliga delar har stannat helt:
 - innan produkten lämnas utan tillsyn (inklusive bortskaffande av klippt gräs).
 - innan du rensar en blockering eller tar bort gräs som fastnat i utkastet
 - före kontroll av, rengöring av eller arbete med produkten
 - innan du tar bort mulchingskyddet
 - innan du öppnar gräsutkastets lock
 - efter kollision med ett främmande föremål
 - Besiktiga maskinen noggrant för att upptäcka eventuella skador.
 - Om kniven uppvisar någon typ av skada måste den omedelbart bytas ut.
 - Reparera eventuella skador innan du startar, och fortsätter att använda, gräsklipparen.
 - när maskinen börjar vibrera onormalt (kontrollera omedelbart)
 - Inspektera avseende skador, särskilt skärknivarna
 - Om kniven uppvisar någon typ av skada måste den omedelbart bytas ut.
 - byt ut eller reparera alla skadade delar
 - kontrollera och sätt fast ev. lösa delar
- Du kan göra de justeringar och reparationer som beskrivs i den här manualen. För övrig reparation, låt endast ett auktoriserat servicecenter utföra dessa arbeten.

- Kontakta ett auktoriserat servicecenter för att byta ut skadade eller oläsliga etiketter.
- Service på produkten och laddaren får endast utföras av kvalificerad reparatör. Service eller underhåll som utförs av icke utbildad personal kan leda till skador på användare eller produkt.
- För att vara säker på att produkten är säker att använda, kontrollera alla muttrar, bultar och skruvar regelbundet för att säkerställa att de är åtdragna ordentligt.
- Bladbultarna måste dras åt till rekommenderat vridmoment.
- Kontrollera bromsarna före varje användning och ofta under användning. Justera och serva efter behov.
- Sidoutkastet är ett fjäderförspänt skydd som täcker sidotömningens öppning på klippaggregatet och avleder gräsklipp och skräp bort från operatören. Se alltid till att motorn är avstängd och att bladen har slutat röra sig innan du inspekterar, flyttar, rengör eller utför underhåll på sidoutkastet.
- Byt ut slitna eller skadade delar för bästa säkerhet.
- Byt ut utslitna eller skadade knivar och bultar i set för att bibehålla balansen.
- Var vid inställning av produkten noga med att förhindra att fingrarna fastnar mellan rörliga och fasta delar på maskinen.
- Skärbladen fortsätter att rotera några sekunder efter att motorn stängts av. Vid underhåll eller service av bladen ska du vara medveten om att trots att elförsörjningen är avbruten kan bladet/ bladen röra sig. Placera aldrig någon del av kroppen i knivområdet förrän du är säker på att bladen har slutat att rotera.
- Produktens knivar är vassa. Var extremt försiktig och använd grova arbetshandskar vid montering, byte eller kontroll av muttrar.
- Efter rengöring ska maskinen alltid rengöras med en mjuk torr trasa. Skadade delar skall repareras ordentligt eller bytas ut av en auktoriserad servicefirma.
- Håll produkten fri från gräs, löv och annat skräp.
- Använd inte vatten för att rengöra produkten. Använd en luffförflyttande enhet, till exempel en kompressor eller lövblåsare för att rengöra produkten.



RENSA BLOCKERINGAR

- Stäng av produkten, slå på parkeringsbromsen och ta ur startnyckeln. Ställ klippaggregatet på maximal höjd. Se till att samtliga rörliga delar har stannat helt.
- Använd alltid grova arbetshandskar vid kontroll av och rensning av blockering. Bladen är vassa och själva blockeringen kan vara ett vasst föremål.
- Kontrollera sidoutkastet efter blockeringar och rengör försiktigt.
- Om eventuella blockeringar upptäcks, ta bort försiktigt. Kom ihåg att bladet kan röra sig under rengöring.

KVARSTÅENDE RISKER

Även om produkten används enligt instruktionerna går det inte att eliminera alla eventuella kvarstående riskfaktorer. Följande risker kan uppstå vid användning och operatören ska vara extra uppmärksam för att undvika följande:

- Skada orsakad av vibration
 - Använd alltid rätt verktyg för jobbet. Håll ordentligt i handtagen och begränsa arbetstid och exponering.
- Skador orsakade av damm
 - Använd hörselskydd och begränsa exponeringen.
- personskada orsakad av kontakt med skärkniven
 - Håll oskyddade kroppsdelar borta från bladen hela tiden.
- personskada orsakad av utkastade föremål
 - Använd alltid lämpligt ögonskydd.

RISKMINSKNING

Det finns rapporter om att vibrationer från handhållna verktyg kan bidra till ett tillstånd som kallas Raynauds syndrom för vissa personer. Symptomen brukar vara att det sticker i fingrarna och att de domnar bort; fingrarna kan också bli vita, särskilt vid kyla. Ärftliga faktorer, kyla och fukt, diet, rökning och arbetsrutiner tros alla bidra till att orsaka dessa symptom. Det finns förebyggande åtgärder som du kan vidta för att försöka minska vibrationernas påverkan:

- Håll dig varm när du arbetar i kallt väder. Använd handskar för att hålla händer och handleder varma under användning. Kyla har rapporterats som en viktig del i utvecklandet av Raynauds syndrom.
- Träna och rör på dig efter varje användningstillfälle för att öka blodcirkulationen.
- Ta ofta pauser från arbetet. Begränsa tiden du utsätter dig varje dag.

Upphör omedelbart om du upplever några av dessa symptom och uppsök din läkare.

⚠ VARNING

Risk för person- eller slitageskador vid användning av verktyget under lång tid. Om verktyget används under längre perioder krävs regelbundna pauser.

VAD FINNS I LÅDAN

- Åkgräsklippare x1
- Sitsmontering x1
- Verktygssats och tillbehörlåda
 - Öppna skruvnycklar x2
 - Insexnyckel x1
 - Torxnyckel x1
 - Startnyckel x2
 - Mulchingskydd x1
 - Användarhandbok x 1
 - Snabbstartsguide x1
 - Monteringsguide x1
- Monteringslåda för rattstång
- Batteriladdare x 1

OBS: För en fullständig lista över montering av rattstången, se avsnittet "Lösna delar".

SYMBOLER PÅ PRODUKTEN



Säkerhetsvarning



Läs och se till att du förstår alla anvisningar innan du använder produkten. Följ alla varningar och säkerhetsanvisningar.





Håll alla åskådare, särskilt barn och husdjur, på minst 30 meters avstånd från arbetsområdet.



Åk aldrig med barn eller någon annan, även om knivarna är avstängda.



Titta alltid nedåt och bakom dig före och under tiden du backar och se till att barn, människor och husdjur är borta från området.



Använd inte i sluttningar som är brantare än 15°. Klipp uppför och nedför slänten; inte längs med.



Garanterad ljudnivå är 100 dB (A)



Håll händerna och fötterna borta från kniven och klippområdet. Trampa inte på klippaggregatet eller på sidoutkastet.



Håll alla åskådare, särskilt barn och husdjur, på minst 30 meters avstånd från arbetsområdet.



Se upp med kringkastade eller flygande föremål.

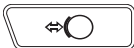


Åk aldrig med barn eller någon annan, även om knivarna är avstängda.

Titta alltid nedåt och bakom dig före och under tiden du backar och se till att barn, människor och husdjur är borta från området.



Håll händerna och fötterna borta från kniven och klippområdet.



Broms
Trampa på bromspedalen för att stoppa produkten.



Parkeringsbroms



Gasa
Trampa på gaspedalen för att köra framåt eller bakåt.



Laddningsport



Uppfyller alla standarder i de EU-länder där produkten kan köpas.



EurAsian
överensstämmelsesymbol



Ukrainskt märke för
överensstämmelse



Produkten kan backa medan bladen rör sig när RMO-knappen trycks in och den röda knapplampan lyser. Titta alltid nedåt och bakom dig innan och medan du backar. Att klippa medan du backar rekommenderas inte.



Lyft på knappen för att koppla på bladen. Tryck på knappen för att koppla från bladen.



Farthållaren tillåter produkten att hålla sig i konstant hastighet utan att operatören behöver behålla trycket på gaspedalen.
Se avsnittet "Ställa in farthållaren".



Gamla elektroniska produkter ska inte kastas med hushållssoporna. Återvinn där sådana faciliteter finns. Kontrollera med din lokala myndighet eller säljaren för att få återvinningstips.



Endast för användning inomhus

T15A



Time-lag fuse type



För att minska risken för skador måste användaren läsa, och förstå, bruksanvisningen innan denna produkt används.



Sprängningsrisk



För att minska risken för skador ska kontakt med varma ytor undvikas.



Om den inte används under torra förutsättningar och med iakttagande av försiktighetsåtgärder kan det leda till elektrisk stöt.



Risk för elektrisk stöt.



Koppla alltid ur laddaren ur strömförsörjningen innan du ansluter till eller kopplar ur batteriet.



Utsätt inte verktyget för regn och använd det inte i fuktiga förhållanden.



Utsätt inte verktyget för regn och använd det inte i fuktiga områden.



Håll utrustningen borta från alla användningskällor, gnistor och lågor. Täck inte över ventilationsöppningar och säkerställ adekvat ventilation under drift.



Håll utom räckhåll för barn och icke tränade personer.



Bär ögonskydd.



Batteripaketet innehåller syra. Om syra kommer i kontakt med hud eller kläder, spola genast med vatten i tio minuter.



Om vätskan kommer i kontakt med ögonen ska de sköljas med rent vatten i minst 10 minuter och läkare måste sedan uppsökas omedelbart.



Slutna batterier. Batteriet måste återvinnas.



Produkten innehåller blybatterier. Det kan enligt lokala bestämmelser vara förbjudet att slänga blybatterier i soporna. Rådfråga de lokala myndigheter som är ansvariga för avfallshantering för att få information om kassering och/eller återvinning.



Se till att sidoutkastet är helt stängt innan du använder produkten.



Använd inte produkten när sidoutkastet är öppet.



Att köra gräsklipparen



Sätt i startnyckeln och vrid nyckeln till PÅ-läget.



Ställ riktningsskivningen i framåtriktat läge (F).



Trampa på bromspedalen för att koppla från parkeringsbromsen.



Dra upp spaken för aktivering av bladen för att aktivera bladen.



Trampa på gaspedalen för att klippa gräsmattan.



Klippa medan du backar



Trampa på bromspedalen och se till att gräsklipparen stannar helt.



Tryck ner spaken för aktivering av bladen för att stänga av bladen.



Tryck på backknappen.



Dra upp spaken för aktivering av bladen för att aktivera bladen.



Ställ riktningsskivorna i bakåtläge (R).



Trampa på gaspedalen och klipp medan du backar efter behov.



Parkera gräsklipparen



Stanna klipparen på en plan, jämn yta. Stanna inte produkten i slänter.



Trampa på bromspedalen för att koppla på parkeringsbromsen.



Ställ riktningsskivorna i frikopplingsläge (N).



Tryck ner spaken för aktivering av bladen för att stänga av bladen.



Vrid nyckeln till AV-läget.



Stanna gräsklipparen



Tryck ner spaken för aktivering av bladen för att stänga av bladen.



Trampa på bromspedalen.



Koppla på parkeringsbromsen.



Vrid nyckeln till AV-läget.



Ta bort startnyckeln.

SYMBOLER I MANUALEN



Delar och utrustning säljs separat



OBS



Varning

Följande signalord och betydelser är avsedda att beskriva risknivåer associerade med produkten:

FARA

Indikerar en överhängande farlig situation som kan, om den inte undviks, resultera i dödsfall eller allvarlig skada.

VARNING

Indikerar en potentiellt farlig situation som kan, om den inte undviks, resultera i dödsfall eller allvarlig skada.

PÅMINNELSE

Indikerar en potentiellt farlig situation som kan, om den inte undviks, resultera i mindre eller medelstora skador.

PÅMINNELSE

(Utan säkerhetssymbolen) Indikerar en situation som kan leda till egendomsskada.

MONTERING

⚠ VARNING

För att minska risken för skador bör du läsa och förstå monteringsavsnittet i denna manual innan du börjar montera produkten. Spara den här manualen för framtida referens.

SÄKERHETSREGLER FÖR MONTERING

⚠ VARNING

Följ noga alla specifikationer för åtdragning av momentnyckel. Om det inte efterlevs kan det leda till allvarig personskada.

All information och alla illustrationer, fotografier och specifikationer i denna manual är baserade på den senaste produktinformationen som var tillgänglig vid tidpunkten för publiceringen. På grund av förbättringar eller andra förändringar kan det finnas vissa avvikelser i denna manual. Vi förbehåller oss rätten att göra produktändringar när som helst, utan föregående meddelande och utan skyldighet att göra samma eller liknande förändringar på produkter som tidigare byggs eller sålts.

- Varje person som försöker montera produkten måste ha rätt utbildning och erfarenhet. Läs manualen noggrant och följ alla monteringsförfaranden i den.
- All montering måste göras med produkten på en jämn yta.

VERKTYG SOM KRÄVS

Följande verktyg behövs för montering:

- Momentnyckel
- Däcktrycksmätare
- Hylsnyckel
 - 12 mm hylsa
 - 13 mm hylsa
 - 6 mm insexbit

UPPACKNING

Se bild 1.

- Ta bort bultarna som håller fast hörn- och sidostöden i ramens undersida och lyft sedan upp stöden för att ta bort dem.
- Klipp av nylonbanden som fäster fram- och bakhjulsaxlarna på ramen.

- Ta bort lådorna med lösa delar, monteringshårdvara och dokumentation.
- Ta bort och lägg undan alla förpackningar och ta bort dem från enheten och delar. Kasta inte bort förpackningsmaterialet förrän du har kontrollerat och provat produkten.

⚠ VARNING

Om några delar i avsnittet "Listan med lösa delar" redan är monterade på produkten när du packar upp den, kontrollera att delen är korrekt monterad, är ordentligt åtdragen och har vridits korrekt (i förekommande fall) innan du fortsätter till nästa monteringssteg. Om du använder en produkt som kan ha monterats felaktigt kan det resultera i allvarliga personskador.

- Undersök produkten noggrant och se till att inga skador har uppstått under frakten.
- Kontakta ett auktoriserat servicecenter om någon del skulle vara trasig eller saknas.
OBS: Produkten ska monteras medan den är placerad på ramens undersida. När monteringen är klar ställer du in klippaggregatet på dess högsta höjd, placera sedan en ramp vid ramens undersida och kör produkten långsamt och försiktigt från ramen.

⚠ VARNING

Var försiktig när du kör bort produkten från ramen och trampa på bromspedalen efter behov för att styra hastigheten. Produkten rullar fritt om den förflyttas på en lutande yta utan att trampa på bromspedalen eller koppla på parkeringsbromsen. Underlåtenhet att följa dessa instruktioner kan leda till förlust av kontroll och leda till dödsfall, allvarlig personskada eller materiella skador.

⚠ VARNING

Om ingen ramp är tillgänglig, backa långsamt och försiktigt produkten från ramen medan du tittar nedåt och bakåt. Att köra produkten från ramen framåt utan ramp kan skada klippaggregatet.

EN
FR
DE
DA
SV
FI
NO

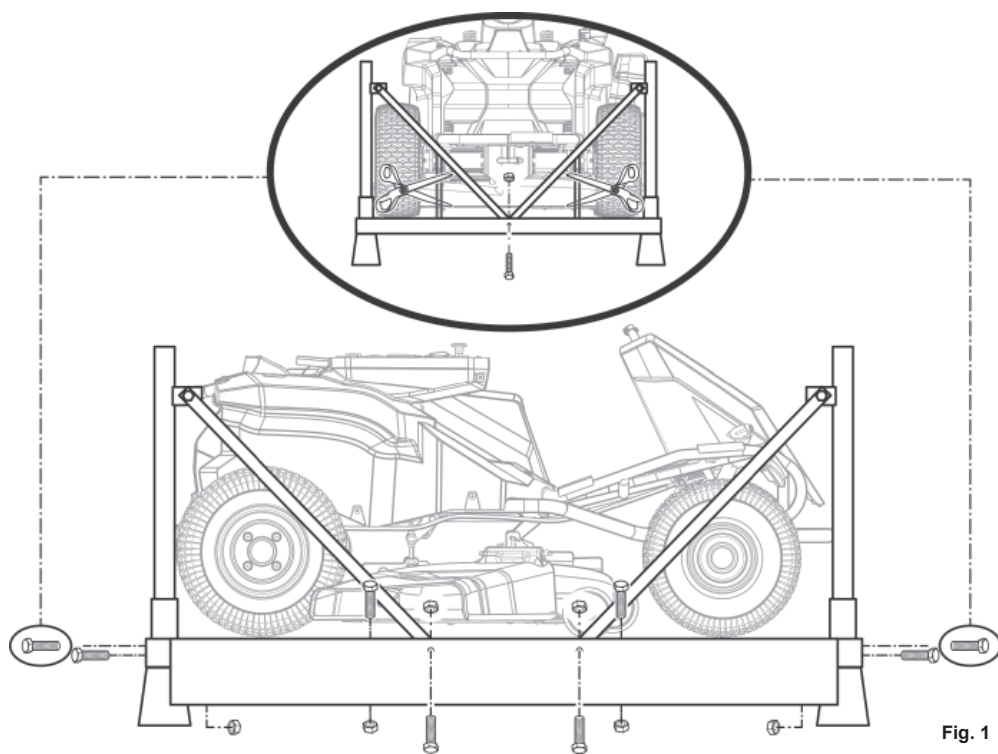


Fig. 1

LISTA MED LÖSA DELAR

1. Sitsmontering x1
2. Montering av rattstång
Övre styraxel x1
Bultar x 2
Rattstång x1
Rattstångens skydd x1
Flänsbrickor x2
Fjäder x 1
Rattnav x1
Ratt x1
Flatbricka x 1
Flänsmutter x2
Rattskydd x1

3. Batteriladdare x 1
4. Stötfångare x1
5. Startnyckel x3

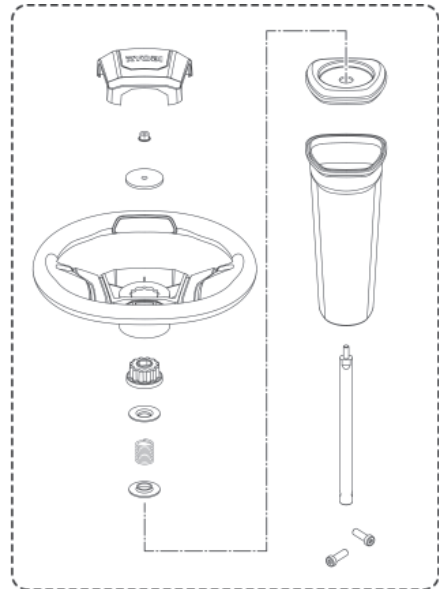
⚠ VARNING

Om några delar är skadade eller saknas ska du inte montera produkten förrän delarna bytts ut med nya originaltillverkarens delar. Att montera produkten med skadade, saknade eller felaktiga delar kan leda till allvarlig personskada.

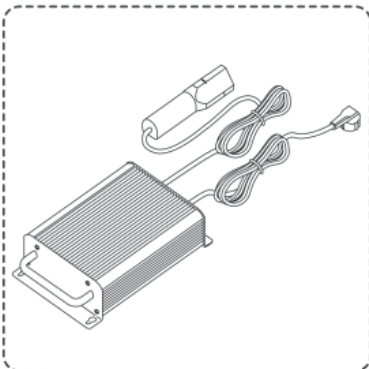
1.



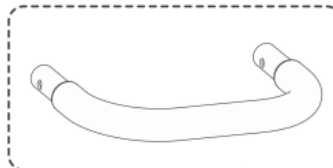
2.



3.



4.



5.



⚠ VARNING

Följ noga alla specifikationer för åtdragning av momentnyckel. Om det inte efterlevs kan det leda till allvarlig personskada.

⚠ VARNING

Försök inte att modifiera denna produkt eller skapa tillbehör till den som inte är rekommenderade för denna produkt. Sådana modifikationer anses som felanvändning och det kan resultera i en farlig situation som kan leda till allvarlig personskada.

⚠ VARNING

För att förhindra oavsiktlig start som kan orsaka allvarlig personskada ska startnyckeln alltid tas ur produkten vid montering av delar.

ANSLUTA BATTERIET

Se bild 2.

Vid leverans från fabriken är produktens batterier fränkopplade.

För att ansluta:

1. Tryck på flikarna på kabelskyddet och lyft locket för att ta bort det.
2. Anslut de två ändarna av batteriets snabbanslutningskontakt.

OBS: Innan du sätter tillbaka kabelskyddet måste du installera sätet enligt beskrivningen i nästa avsnitt.

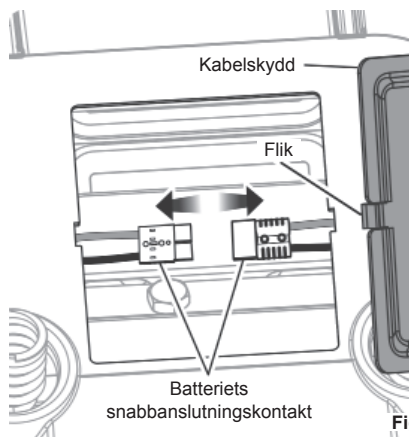


Fig. 2

MONTERING AV SÄTET

Se bild 3.

1. Ta bort bultarna och fläsmuttrarna från fästena på sätet.
2. Placera sätesenheten över monteringsfästena och justera hålen såsom visas.
3. Sätt tillbaka och dra åt skruvarna och fläsmuttrarna ordentligt.
4. För sätets säkerhetskedja genom hålet i kabelskyddet och anslut sedan till kontakten på gräsklipparen.
5. Sätt tillbaka kabelskyddet och se till att det sitter ordentligt.

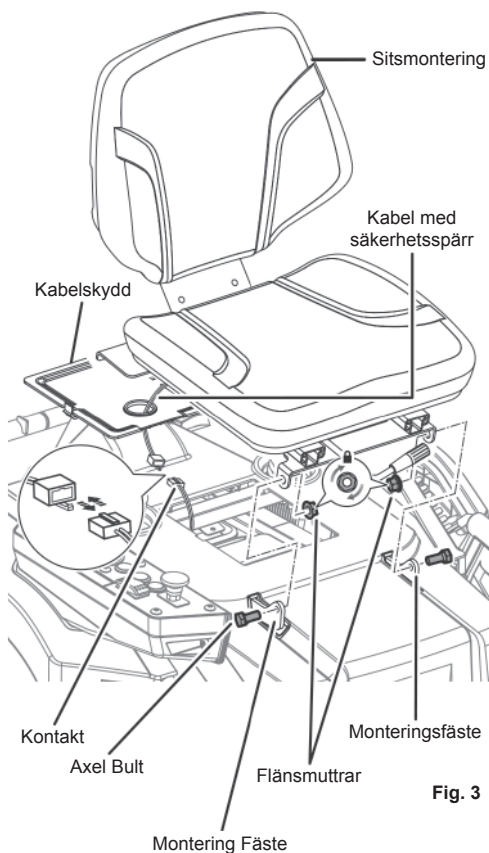


Fig. 3

MONTERA RATTSTÄNGEN

Se bild 4 - 5.

1. Montera den övre styraxeln i kopplingen och rotera efter behov för att rikta in hålet i axeln med bulthål i kopplingen.
2. Montera två bultar och dra åt ordentligt till 20 Nm vridmoment.
3. Sätt in rattstången över axeln. Notera flikarna på rattstolens botten som passar in i hålen i öppningen och se till att rattstången sitter ordentligt.
4. Montera rattstångskåpan så att den sitter ordentligt. Den övre styraxeln sticker ut genom öppningen i kåpan.
5. Montera flänsbrickan (flänsen upp), fjädern, den andra flänsbrickan (flänsen ner) och rattnavet på den övre styraxeln.
6. Se till att gräsklipparens hjul är riktade rakt framåt och montera sedan ratten över hjulnavet.
7. Montera den platta brickan och flänsmuttern. Dra åt muttern ordentligt till 25 Nm vridmoment.
8. Montera rattskyddet.

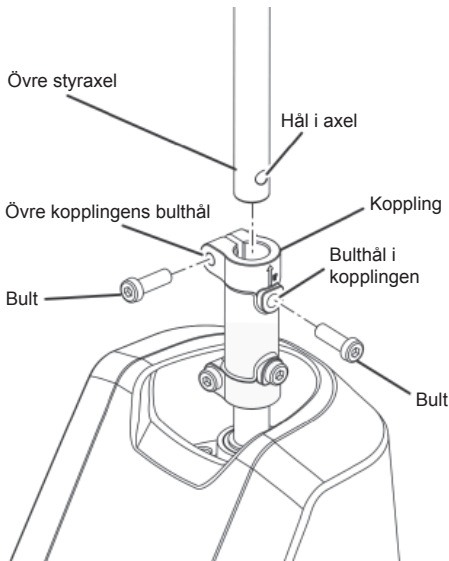


Fig. 4

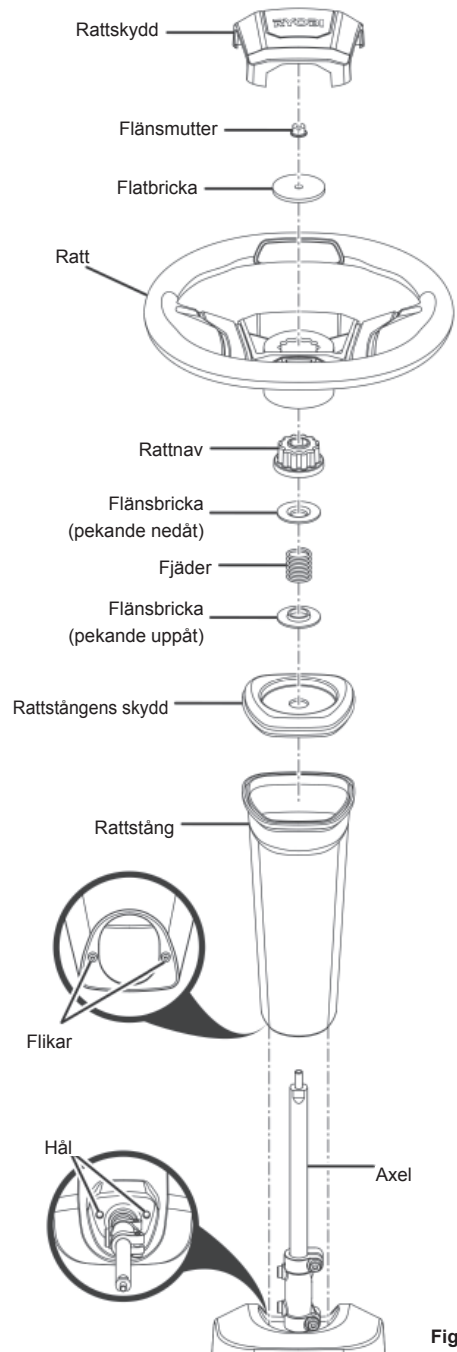


Fig. 5

MONTERA STÖTFÅNGAREN

Se bild 6.

1. Ta bort fläsmuttrarna och sexkantsbultarna som fäster stötfångarhöljet på gräsklipparens ram.
2. Montera stötfångaren i öppningarna framtill på gräsklipparens ram såsom visas.
3. Rikta in hålen i stötfångaren, gräsklipparens ram och stötfångarhöljet. Sätt tillbaka och dra åt de sexkantiga axelbultarna och fläsmuttrarna ordentligt.

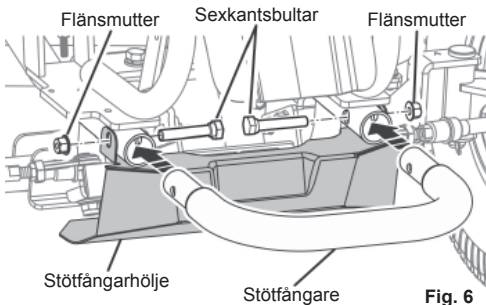


Fig. 6

LADDA PRODUKTEN

Se bild 7 - 8.

Gräsklipparens batterier måste laddas i 24 timmar före första användning. För att kontrollera att gräsklipparens batterier är fulladdade, kontrollera batterinivåindikatorn.

För bästa resultat:

- Ladda inte i ett område med extrem värme eller kyla. Batterierna laddas bäst vid temperaturer från 0 °C till 40 °C.

- Ladda aldrig ett fruset batteri.
- Montera eller placera laddaren i ett område med tillräcklig ventilation, utan att täcka kylflänsarna.
- Se till att både laddarens och gräsklipparens anslutningar är rena och fria från smuts och skräp.

Ladda batteripaketet:

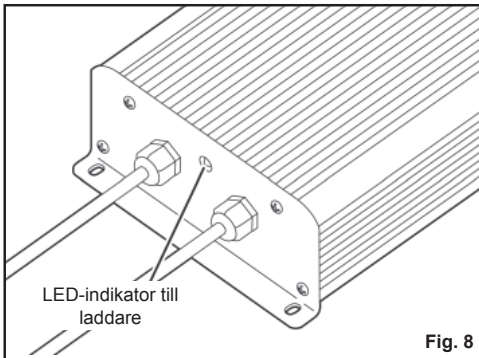
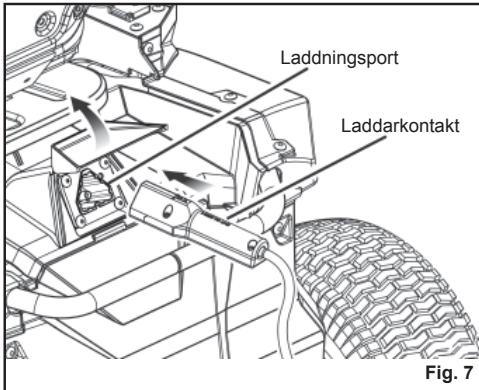
1. Sätt i laddarkontakten i laddningsporten på gräsklipparen och se till att den är korrekt ansluten.
2. Anslut laddaren till en strömförsörjning med normal hushållsström på 220–240 VAC, 50/60 Hz. Batterierna bör börja laddas automatiskt.
3. När du är redo att klippa, koppla loss laddaren från strömförsörjningen och koppla sedan bort laddaren från gräsklipparen.

OBS: Laddaren är utrustad med en kontakt med ett jordningsstift och måste anslutas till ett matchande uttag som är korrekt installerat och jordat i enlighet med alla lokala regler och förordningar. Använd inte adapterar och modifiera inte den medföljande kontakten. Om stickkontakten inte passar i vägguttaget måste den bytas ut mot en lämplig kontakt, bytet måste utföras av en behörig elektriker.

När den är påslagen tänds LED-indikatorn på laddaren för att indikera laddarens status. Se följande diagram för att förstå innebörden på LED-skärmen.

⚠ VARNING

Vrid alltid strömbrytaren till AV-läget och ta bort startnyckeln när du laddar produkten och när produkten inte används.



⚠ VARNING

Låt laddaren vara ansluten till gräsklipparen när den inte används. Om det inte går att lämna laddaren ansluten till gräsklipparen, se till att ladda batterierna minst en gång i månaden.

⚠ VARNING

Ladda produkten inomhus, i ett väl ventilerat område. Ladda inte produkten i ett trångt utrymme.

LED-INDIKATOR TILL LADDARE

Laddarens status	Ansluten till		Diod		Handling
	Strömför-sörjning	Gräs-klippare	Batteri-laddare	Gräsklip-pare	
Standby	Ja	Nej	Lyser	Släckt	Laddare klar för uppladdning av ett batteri.
I laddning	Ja	Ja	Lyser	Blinkar långsamt	—
Fel på laddaren	Ja	Ja	Släckt	Blinkar snabbt	Batteritemperatur, batterikapacitet eller bristfällig laddare.
	<ul style="list-style-type: none"> • Om LED-status visar fel, vänta i ca 15 minuter tills batteriet och laddaren har svalnat. • Om LED-status visas en andra gång, nollställ laddaren eller sätt i batteriet igen. • Om en annan laddare laddar normalt, kan laddaren vara defekt. • Om ett annat batteri laddar normalt, kan batterikapaciteten vara bristfällig. 				
Helt laddat	Ja	Ja	Lyser	Lyser	Snabbladdningen är avslutad, laddaren fortsätter att ladda.
Sammankoppla	Nej	Ja	Släckt	Blinkar snabbt	Kontakten är fortfarande ansluten till gräsklipparen. Gräsklipparen startar inte.
Problem	Ja	Ja	Lyser	Blinkar snabbt	Batteripaket kan vara defekt.
	<ul style="list-style-type: none"> • Om LED-statuslampan visar defekt, nollställ laddaren eller sätt i batteriet igen. • Om kontrollamporna fortfarande anger ett problem, försök använda laddaren med ett annat batteri. • Om ett annat batteri kan laddas upp normalt, gör dig av med det felaktiga batteriet (se avsnittet underhåll). 				

SLUTLIGA KONTROLLER

KONTROLLERA DÄCKENS LUFTRYCK

Kontrollera lufttrycket i alla däck före användning. Felaktigt lufttryck påverkar hantering, styrrespons, dragkraft, däckens livslängd, jämn klippning och förarkomfort. Säkerställ att däcken är pumpade till rekommenderat tryck (1,6 bar).

OBS: Mät eller justera lufttrycket endast när däcken är kalla.

⚠ VARNING

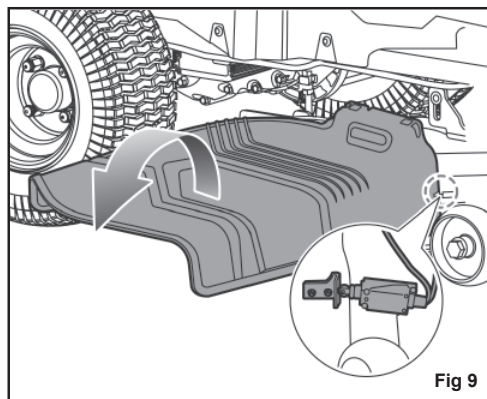
Kontrollera däcktrycket noggrant när du pumpar upp det. För mycket luft i däcket kan leda till att däcket spricker och orsaka allvarliga personskador.

KONTROLLERA SIDOUTKASTETS SÄKERHETSSPÄRRSYSTEM

Se bild 9.

Innan du använder produkten, kontrollera att sidoutkastet är ordentligt stängt. Sidoutkastet har ett spärrsystem som stoppar knivarna om sidoutkastet öppnas medan bladen rör sig.

Sluta använda produkten och låt den servas av ett auktoriserat servicecenter om bladen inte stannar när sidoutkastet lyfts under användning av ett hinder.



TESTA OPERATÖRENS NÄRVARO MED SÄKERHETSPÄRRSYSTEM

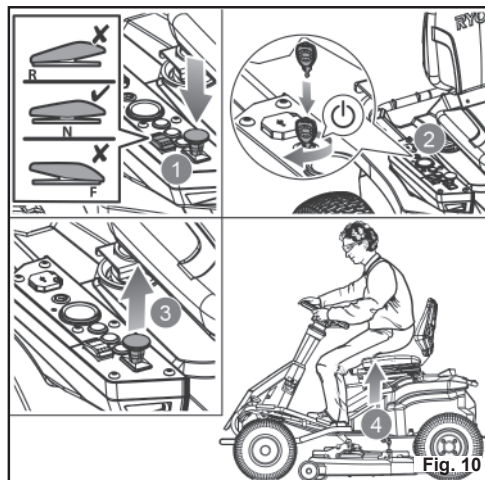
Se bild 10.

Säkerhetsspärrsystemet stoppar knivarna om operatören lämnar gräsklipparen medan bladen är igång. Testa systemet före varje användning för att se till att det fungerar korrekt.

1. Se till att riktningsskotten är i frikopplingsläge (N) och att spaken för aktivering av bladen är nere.
2. Sätt i startnyckeln och vrid nyckeln till PÅ-läget.
3. Dra upp spaken för aktivering av bladen för att aktivera bladen.
4. Ställ dig upp en stund men gå inte av gräsklipparen.

Bladen bör stanna inom 5 sekunder. Kontakta ett auktoriserat servicecenter om bladen inte stannar.

Använd inte produkten förrän säkerhetsspärrsystemet har reparerats.



FUNKTIONER

EN
FR
DE
DA
SV
FI
NO

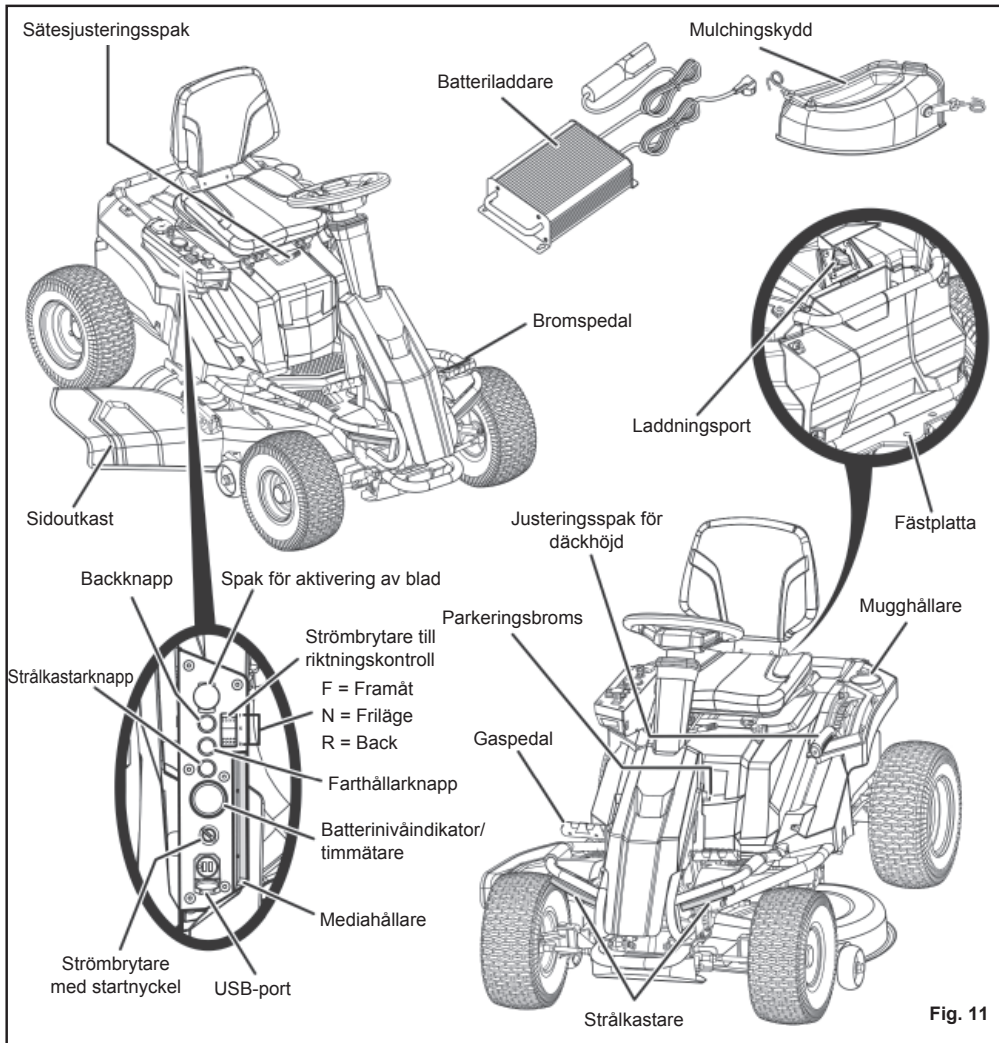


Fig. 11

LÄR KÄNNA PRODUKTEN

Se bild 11.

Läs och förstå produktinformationen och denna manual för din säkerhet. Bekanta dig med alla driftsfunktioner och säkerhetsregler innan du använder produkten.

GASPEDAL

Gaspedalen styr produktens hastighet.

BATTERINIVÅINDIKATOR/TIMMÄTARE

Batterinivåindikatorn visar hur mycket batteriladdning som finns kvar. Timmätaren spårar det totala antalet timmar som produkten har använts (nyckel i på-läge) för underhållsändamål.

SPAK FÖR AKTIVERING AV BLAD

Spaken för aktivering av bladen aktiverar eller stoppar skärbladen. Dra upp spaken



för aktivering av bladen för att aktivera skärbladen. Tryck ner spaken för att stoppa skärbladen.

OBS: För att klippa medan du backar måste även backknappen aktiveras.

BROMSPEDAL

Bromspedalen saktar ner eller stoppar produkten.

BATTERILADDARE

Laddaren laddar gräsklipparens batterier. Den har en nyckelhålshängfunktion för bekväm, platsbesparande lagring. När den hänger i nyckelhålsspåren, använd minst en ytterligare skruv i hålet i monteringsflänsen för att hålla den säkert på plats. Montera alltid så att laddarens LED-statuslampa syns under laddning.

FARTHÅLLARKNAPP

Farthållarknappen gör att produkten kan fortsätta framåt med en inställd hastighet utan att behöva trampa på gaspedalen.

JUSTERINGSSPAK FÖR DÄCKHÖJD

Spaken för justering av däckhöjd lyfter eller sänker klippaggregatet.

STRÖMBRYTARE TILL RIKTNINGSKONTROLL

Riktningsskontrollen kontrollerar gräsklipparens riktning. Tillgängliga inställningar är framåt (F), frikoppling (N) och bakåt (R).

STRÅLKASTARKNAPP

Strålkastarknappen slår PÅ och AV strålkastarna.

MEDIAHÅLLARE

Mediahållarna ger dig en bekväm plats att lagra din mobiltelefon eller MP3-spelare när du laddar med USB-porten.

MULCHINGSKYDD

Mulchingskyddet täcker sidoutkastet, vilket gör att klippbladet kan klippas och klippas om för finare klipp.

PARKERINGSBROMS

Parkeringsbromsen låser produkten i bromsläge.

STRÖMBRYTARE MED STARTNYCKEL

Strömbrytaren slår PÅ och AV produkten.

Startknappen måste tryckas in innan strömbrytaren kan manövreras. När nyckeln är i tillbehörsläget används strömbrytaren också för att ge ström till tillbehör som är godkända av tillverkaren.

OPERATÖRENS NÄRVARO MED SÄKERHETSPÄRRSYSTEM

Säkerhetsspärrsystemet som känner av operatörens närvaro stoppar knivarna om operatören lämnar gräsklipparen medan bladen är igång.

SÄTESJUSTERINGSSPAK

Sitsjusteringsspaken flyttar sätet till önskat läge.

SÄKERHETSPÄRRSYSTEMET FÖR SIDOUTKAST

Säkerhetsspärrsystemet för sidoutkastet stoppar knivarna om sidoutkastet öppnas medan bladen är igång.

USB-PORT

USB-laddningsporten ger laddningseffekt på 5 V DC på upp till 1 A för din mobiltelefon, MP3-spelare eller andra USB-enheter. Kontrollera enhetens manual för specifika laddningskrav.

Anslut den ena änden av en USB-kabel (medföljer inte) till din enhet och den andra änden till USB-laddningsporten på produkten för att ladda din enhet.

OBS: USB-porten laddar endast när startknappen är i PÅ-läge.

⚠ VARNING

Att försöka ladda enheter som är mer än 1 A kan skada USB-laddningsporten och gräsklipparen. Stäng alltid USB-locket när det inte används för att förhindra att skräp fastnar i porten.

⚠ VARNING

Använd aldrig hörlurar eller någon elektronisk enhet, till exempel en smartphone eller surfplatta, när du använder produkten. Förlust av koncentration under drift av produkten kan leda till allvarlig personskada på operatören eller personer i närheten.



FÄSTPLATTA

Fästplattan kan användas för att bogsera laster under 226,8 kg.

⚠ VARNING

Var inte oförsiktig även om du har erfarenhet av elverktyg. Glöm inte att om du är ouppmärksam bara bråkdelen av en sekund kan du skada dig allvarligt.

⚠ VARNING

Bär alltid säkerhetsglasögon med sidoglas. Att inte beakta detta kan leda till att föremål kastas upp och träffar ögonen, med eventuella allvarliga skador som följd.

⚠ VARNING

Stäng av produkten, slå på parkeringsbromsen och ta ur startnyckeln. Se till att alla rörliga delar har stannat helt innan du monterar delar, gör justeringar, rengör produkten eller lämnar produkten utan tillsyn. Detta förhindrar oavsiktlig start som kan orsaka allvarlig personskada.

⚠ VARNING

Kontrollera alltid om produkten har saknade eller skadade delar. Kontrollera alltid knivarna för skador eller ojämnt eller för mycket slitage före användning. Användning av en produkt med skadade eller saknade delar kan leda till allvarliga personskador.

MONTERA MULCHINGSKYDD

Se bild 12.

Produkten är konfigurerad för sidotömning vid leverans. Om mulching föredras:

1. Lyft sidoutkastet.
2. Placera mulchingskyddet på fliken på gräsklipparens hölje.
3. Anslut mulchingskyddets spärrar till de två sidofästena på klippaggregatets hölje.
4. Frigör sidoutkastet.

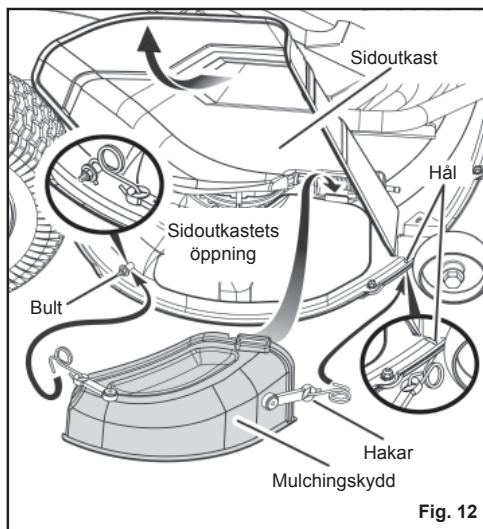
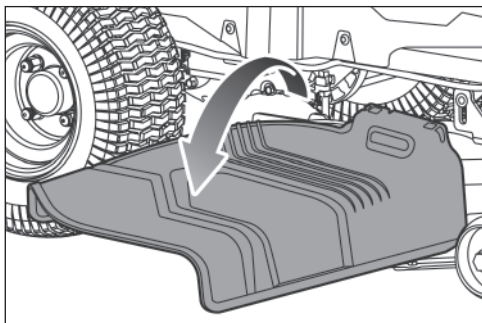


Fig. 12

⚠ VARNING

Se till att sidoutkastet stängs helt när du är klar. Om du inte gör det kan du orsaka allvarlig skada.



KOPPLA PÅ PARKERINGSBROMSEN

Se bild 13.

För att koppla på parkeringsbromsen:

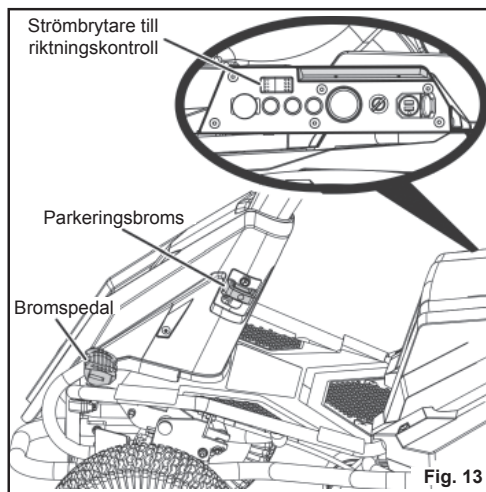
1. Ställ riktningsskruven i frikopplingsläge (N).
2. Trampa på och håll ner bromspedalen.
3. Lyft parkeringsbromsspaken hela vägen upp och håll den.
4. Lossa bromspedalen.
5. Lossa parkeringsbromsspaken.

För att koppla ur parkeringsbromsen:

- Trampa på och släpp bromspedalen.

⚠ VARNING

Lämna aldrig produkten utan uppsikt när motorn är igång. Kontrollera att parkeringsbromsen är påkopplad och att nyckeln har tagits ut. Underlåtenhet att koppla in parkeringsbromsen kan leda till att produkten rör sig, och att lämna nyckeln i kan möjliggöra obehörig användning som kan leda till allvarlig personskada.



JUSTERA SÄTET

Se bild 14.

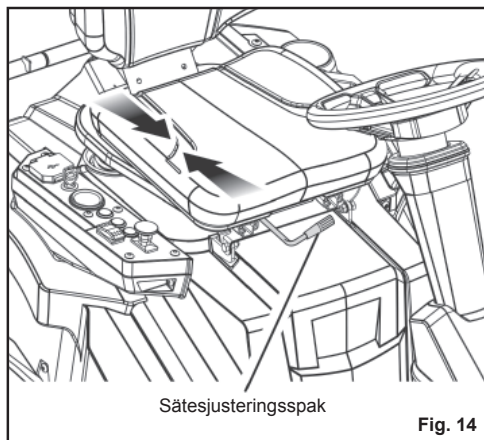
Justera sittpositionen så att användaren kan nå gaspedalen och bromspedalerna innan produkten används.

Så här flyttar du sätet:

1. Sätt dig ner på sätet och lyft upp sätesjusteringsspaken.
2. När du håller i spaken, skjut sedan sätet till önskat läge.
3. Lossa spaken och se till att sätet är låst i läget innan du använder produkten.

⚠ VARNING

Se till att sätet är låst på plats innan du använder gräsklipparen. Ett säte som inte sitter säkert kan få operatören att flytta sig och tappa kontrollen över gräsklipparen och leda till eventuell död eller allvarlig personskada.



STÄLL IN KLIPPAGGREGATETS HÖJD

Se bild 15.

Innan du använder produkten, höj aggregathöjden till det klippläge som passar bäst för din gräsmatta.

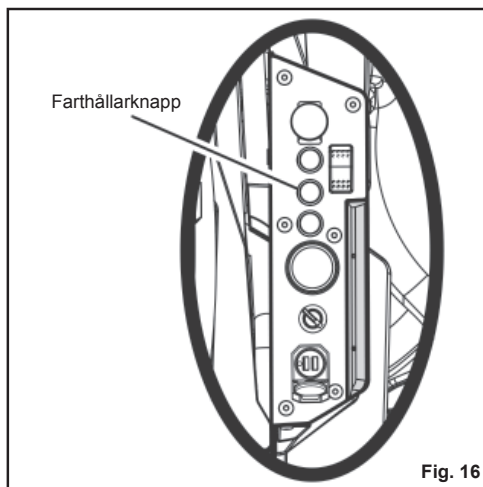
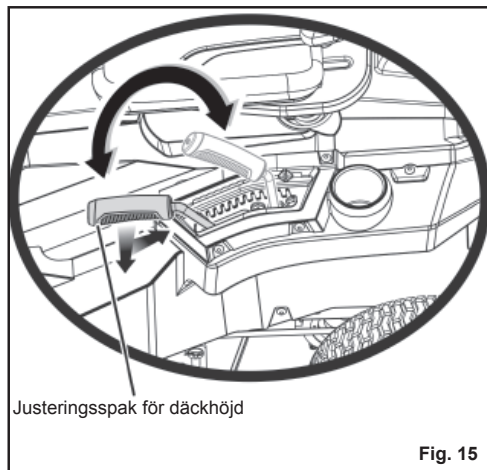
OBS: För att förhindra att gräsmattan skalperas vid höga punkter, ska klippaggregatets hjul placeras ungefär 1,27 cm från marken när klipparen är på önskad klipphöjd. Vid leverans är klippaggregatets hjul inställda på 3,81 cm. Beroende på önskad klipphöjd kan du behöva ändra positionen på klippaggregatets hjul. För att göra detta, se "Justera klippaggregatets höjd" i denna manual.

För att justera klippaggregatets höjd:

1. Stoppa produkten och koppla från bladen.
2. Vrid startnyckeln till AV-läge och slå på parkeringsbromsen.
3. För att höja klippaggregatet, ta tag i aggregatets höjjusteringsspak, tryck åt vänster för att lossa från luckan, flytta mot baksidan av gräsklipparen och tryck sedan åt höger in i spåret för att säkra.
4. För att sänka klippaggregatet, ta tag i aggregatets höjjusteringsspak, tryck åt vänster för att lossa från luckan, flytta mot framsidan av gräsklipparen och tryck sedan åt höger in i spåret för att säkra.

⚠ VARNING

Håll aggregatets höjdjusteringsspak ordentligt när du ställer in aggregatets höjd och släpp den bara när den är säker i önskat spår. Om du släpper spaken snabbt kan operatörens hand dras med eller klämmas.



ANVÄNDA PRODUKTEN

Se bild 17 - 18.

⚠ VARNING

Se till att det inte finns några människor i området innan du använder produkten. Om någon kommer in i klippområdet ska du stanna omedelbart och inte fortsätta klippa förrän de lämnat området.

STÄLLA IN FARTHÅLLAREN

Se bild 16.

Farthållaren tillåter produkten att hålla sig i konstant hastighet utan att operatören behöver behålla trycket på gaspedalen. Den ska endast användas i framåtriktad position på relativt jämna, raka ytor, och ska aldrig användas i slänter eller ojämn terräng.

Så här ställer du in farthållaren:

Medan du kör produkten framåt, tryck på gaspedalen tills önskad hastighet uppnås.

1. Tryck på farthållarknappen. Ljuset runt knappen tänds för att indikera att farthållaren är aktiv.
2. Släpp trycket på gaspedalen. Gräsklipparens hastighet ska förbli konstant.

Så här frigör du farthållaren:

1. Tryck försiktigt på gaspedalen.
2. Släpp bromspedalen eller tryck på farthållarknappen igen. Ljuset runt farthållarknappen slocknar för att indikera att farthållaren inte längre är aktiv.

Innan du startar produkten:

- Se till att arbetsområdet är fritt från barn, andra människor och husdjur.
- Rensa arbetsområdet från föremål som kan kastas iväg av bladen.
- Kontrollera om bromsen fungerar som den ska.
- Kontrollera däcktrycket.
- Kontrollera lösa fästen.
- Se till att alla skydd är på plats och fungerar korrekt.
- Ta bort skräp från gräsklipparen.
- Kontrollera sidoutkastets säkerhets spärrsystem
- Testa säkerhets spärrsystemet för operatörsnärvaro.
- Justera sätet till önskad position.
- Kontrollera batteriets laddningsnivå.

⚠ VARNING

När batteriladdningsnivån når den röda zonen på batteriladdningsindikatorn stannar bladen automatiskt. Återställ omedelbart till laddningsplatsen och ladda klipparen. Om du fortsätter klippa när batteriets laddningsnivå är i den röda zonen kan gräsklipparen bli stående borta från laddningsområdet.

OBS: Om gräsklipparen blir stående borta från laddaren, ställ in riktningsskotten i frikopplingsläget (N) och skjut klipparen tillbaka till laddningsplatsen.

Klippning:

1. Ställ klippaggregatet på maximal höjd.
2. Sätt i startnyckeln och vrid nyckeln till PÅ-läget.
3. Koppla från parkeringsbromsen.
4. Ställ riktningsskotten i framåtriktat läge (F) och kör till önskad klipplats.

⚠ VARNING

Se till att du har ställt in din avsedda körriktning korrekt med riktningsskotten innan du trycker på gaspedalen. Underlåtenhet att göra det kan leda till att du kör gräsklipparen i en oavsiktlig riktning, vilket kan orsaka förlust av kontrollen eller en olycka som kan leda till dödsfall, allvarlig personskada eller materiella skador.

5. Stanna gräsklipparen, koppla in parkeringsbromsen och vrid startnyckeln till AV-läge.
6. Ställ klippaggregatet i önskat läge.
7. Vrid startnyckeln till PÅ-läget och koppla ur parkeringsbromsen.
8. Dra upp spaken för aktivering av bladet och trampa på gaspedalen för att klippa gräset.

⚠ VARNING

Var försiktig när du kör över grusiga stigar eller uppfart. Innan du kör över, stoppa bladen och ställ in klippaggregatet till den maximala höjden för att minimera risken för rikoschett. Kör långsamt för att undvika förlust av dragkraft och kontroll.

⚠ VARNING

Försök inte ändra körriktningen medan gräsklipparen är i rörelse. Stanna alltid helt innan du ändrar gräsklipparens riktning.

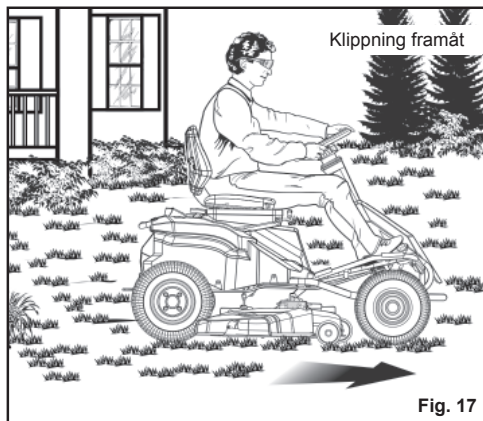


Fig. 17

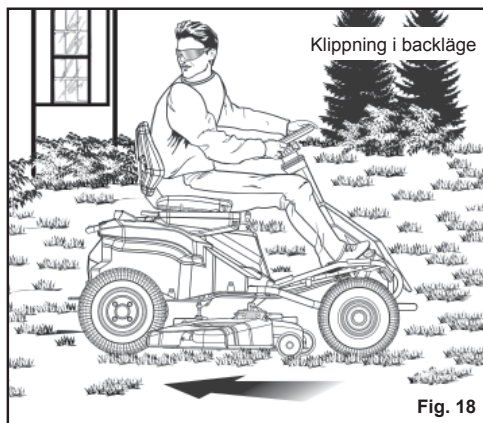


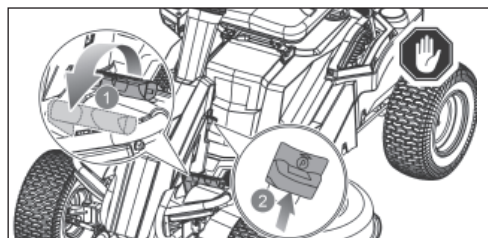
Fig. 18

Klippning i backläge:

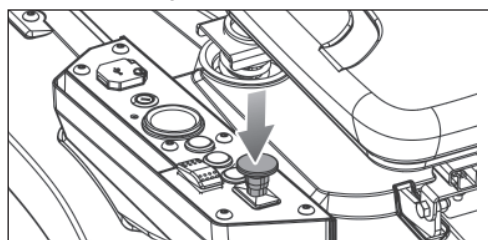
⚠ VARNING

Produkten avger ett konstant pippljud när den backar med bladet avstängt eller vid klippning i backläge.

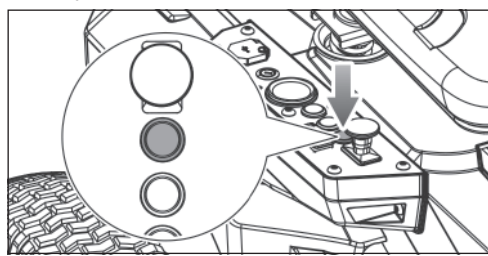
1. Trampa på bromspedalen och se till att produkten stannar helt.



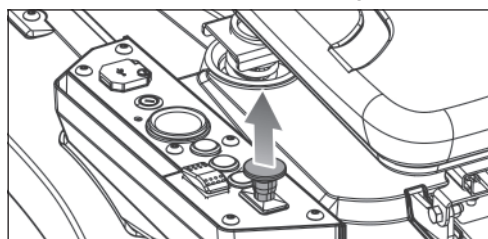
2. Tryck ner spaken för aktivering av bladen för att stänga av bladen.



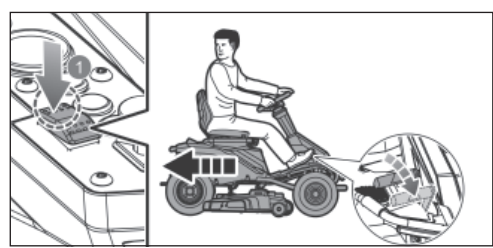
3. Tryck på backknappen.



4. Dra upp spaken för aktivering av bladen.



5. Ställ riktningsskivans i bakläge (R). Trampa långsamt på gaspedalen och klipp medan du backar efter behov.



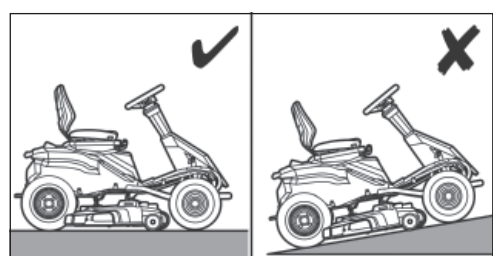
⚠ VARNING

Klipp inte medan du backar om det inte är absolut nödvändigt. Titta alltid nedåt och bakom dig före och under tiden du backar och se till att barn, människor och husdjur inte kommer in i området. Observera att klippning i bakläge aktiveras när knappen för bakläge lyser rött och ett konstant pip ljud hörs. Kom ihåg, att tappa koncentrationen för bara en bråkdel av en sekund är tillräckligt för att orsaka dödsfall eller allvarlig skada.

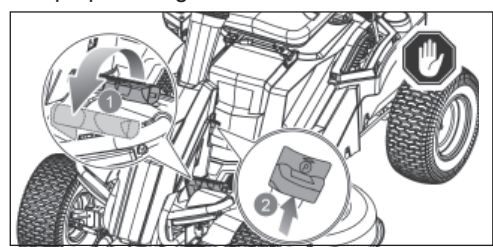
När klippningen är klar:

⚠ VARNING

Stanna produkten på en plan, jämn yta. Stanna inte produkten i en slänt.



1. Trampa på bromspedalen för att koppla på parkeringsbromsen.



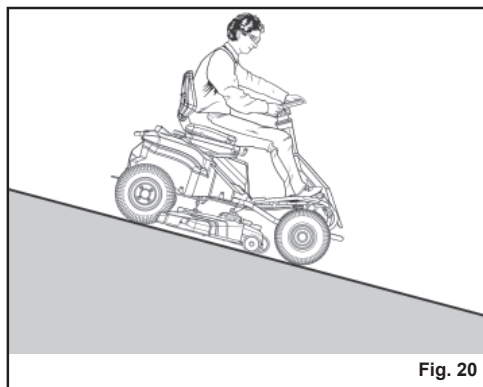
SLUTTNINGSANVÄNDNING

Se bild 20.

⚠ VARNING

Slanter är en stor faktor i samband med att föraren tappar kontroll över gräsklipparen eller välter, vilket kan leda till allvarliga skador eller dödsfall. Användning i sluttningar kräver extra försiktighet. Om du inte kan backa uppför slänten eller om det känns obehagligt att göra det, klipp den inte. Använd aldrig produkten i branta slanter med lutning på över 15°. Gör en kopia eller klipp ut "Släntguiden" på baksidan av den här manualen och använd den för att avgöra om din slänt är för brant för att klippas på ett säkert sätt.

- Klipp uppåt och nedåt; inte längs med slanter.
- Klipp inte på vått gräs. Vått gräs kan leda till att däckan förlorar greppet eller glider i slanter, även om bromsarna fungerar korrekt.
- Var uppmärksam på hål, hjulspår, dolda föremål och ojämnheter som kan få dig att halka eller ramla. Högt gräs kan dölja hinder. Ta bort alla föremål, såsom stenar, trädgrenar, etc. som du kan snubbla på eller som kan kastas iväg av bladet.
- Klipp inte i närheten av branter, diken eller vallar.
- Kör långsamt och gör inga plötsliga förändringar i hastighet eller riktning.
- Undvik att stanna i slanter om det är möjligt. Om det är absolut nödvändigt att stanna, se till att slå på parkeringsbromsen. Använd lägsta möjliga hastighet när du startar igen. Om det är nödvändigt att svänga, var försiktig när du ändrar riktning och vänd alltid nedåt.
- Försök aldrig att stabilisera gräsklipparen i en slänt genom att placera foten på marken medan du kör.
- Använd alltid bromsarna när du kör nerför slänten. Låt inte att gräsklipparen åka fritt neråt i friläge.
- Om däckan vid något tillfälle tappar greppet i en slänt, koppla från bladen och fortsätt långsamt och försiktigt rakt nedför slänten.



TRANSPORT AV PRODUKTEN

Se bild 21.

⚠ VARNING

Var försiktig när du kör på eller av produkten från en släpvagn eller lastbil. Trampa på bromspedalen efter behov för att kontrollera hastigheten. Gräsklipparen rullar fritt om den förflyttas på en lutande yta utan att trampa på bromspedalen eller koppla på parkeringsbromsen. Underlåtenhet att följa dessa instruktioner kan leda till förlust av kontroll och leda till dödsfall, allvarlig personskada eller materiella skador.

⚠ VARNING

Var försiktig när du lastar på eller av produkten från en släpvagn. Se till att klippaggregatet höjs till högsta läge så att det inte fastnar på rampen. Produktens hjul kan hamna utanför rampen eller släpvagnen, vilket kan leda till att produkten svänger eller välter, vilket i sin tur kan orsaka dödsfall eller allvarlig personskada.

1. Parkera produkten på en plan yta.
2. Ställ klippaggregatet på maximal höjd.
3. Placera och sätt fast en ramp i släpvagnen enligt tillverkarens anvisningar.

OBS: Använd en lastningsramp med full bredd som är minst 30,5 cm bredare än gräsklipparen för att minimera risken för att hjulen ska hamna utanför rampen.

4. Kör långsamt upp produkten på rampen och släpvagnen.
5. Ställ klippaggregatet på lägsta höjd.

6. Stäng av produkten, slå på parkeringsbromsen och ta ur startnyckeln.
7. Sätt vid behov fast produkten med remmar eller kablar för att förhindra att den rör sig under transport.

⚠ VARNING

För att undvika att produkten oavsiktligt startar eller rör sig, vilket kan leda till allvarlig personskada, ta alltid ur startnyckeln och koppla på parkeringsbromsen när du transporterar produkten.

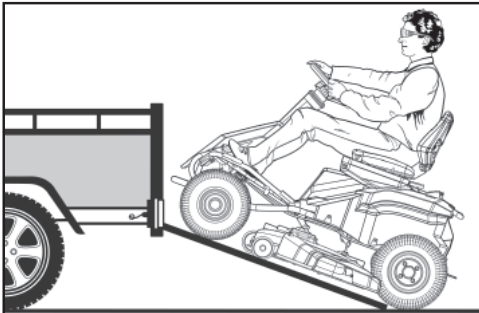


Fig. 21

UNDERHÅLL AV PRODUKTEN

⚠ VARNING

Stäng av produkten, slå på parkeringsbromsen och ta ur startnyckeln. Se till att alla rörliga delar har stannat helt innan du utför något underhåll för att undvika oavsiktlig start och möjlig allvarlig personskada.

⚠ VARNING

Bär alltid säkerhetsglasögon med sidoglas. Att inte beakta detta kan leda till att föremål kastas upp och träffar ögonen, med eventuella allvarliga skador som följd.

⚠ VARNING

Konsekvenser av felaktigt underhåll kan leda till att produkten eller säkerhetsfunktionerna inte fungerar korrekt och därmed ökar risken för allvarlig skada. Underhåll produkten på ett säkert och professionellt sätt.

⚠ VARNING

Under servicearbete ska enbart tillverkarens originaldelar användas. Användning av andra delar kan skapa en fara eller orsaka produktskada.

⚠ VARNING

Följ noga alla specifikationer för åtdragning av momentnyckel. Om du inte gör det kan du orsaka allvarlig skada.

⚠ VARNING

Innan varje användning måste du besiktiga hela produkten för att kontrollera om det finns skador, om det saknas delar eller om delar sitter löst - som t.ex. skruvar, muttrar, bultar, lock och så vidare. Dra åt alla fästanordningar och lock ordentligt och använd inte denna produkt förrän alla delar som saknas eller som är skadade har ersatts. Kontakta ett auktoriserat servicecenter.

Generellt underhåll

Undvik att använda lösningsmedel vid rengöring av plastdelar. De flesta plasterna är mottagliga för skador från olika varianter av kommersiella lösningsmedel och kan skadas om sådana används. Använd en ren och torr trasa för att avlägsna smuts, damm, olja, fett, osv.

⚠ VARNING

Låt aldrig bromsvätska, bensin, bensinbaserade produkter, penetrerande oljor, etc., komma i kontakt med plastdelarna. Kemikalier kan skada, försvaga eller förstöra plast vilket kan orsaka allvarlig personskada.

Ta bort all ansamling av gräs och löv på eller runt motorkåpan. Torka rent gräsklipparen med en torr trasa då och då. Använd inte vatten.

JUSTERA KLIPPAGGREGATETS HJUL

Se bild 22.

Klippaggregatets hjul ska vara ungefär 1,27 cm från marken när klipparen är på önskad klipphöjd. Detta minimerar i de flesta fall risken

för att skalpera gräsmattan. Vid leverans är hjulen placerade i läge A.

För att justera klippaggregatets hjul:

1. Parkera produkten på ett jämnt underlag och slå på parkeringsbromsen.
2. Stäng av produkten och ta ur startnyckeln. Se till att samtliga rörliga delar har stannat helt.
3. Ställ klippaggregatet till önskad höjdställning.
4. Ta bort muttern och bulten som håller klippaggregatets hjul på plats.
5. Flytta hjulet till önskat läge. Tillgängliga hålpositioner är:
 - 3,81 cm. (1,5 in.) (A)
 - 4,44 cm (1,75 in.) (B)
 - 5,08 cm. (2 in.) (C)
 - 5,72 cm (2,25 in.) (D)
6. Sätt tillbaka bulten och muttern och dra åt ordentligt. Vrid till 5,42-8,13 Nm.
7. Upprepa stegen med klippaggregatets övriga hjul och se till att båda hjulen är monterade i samma position.

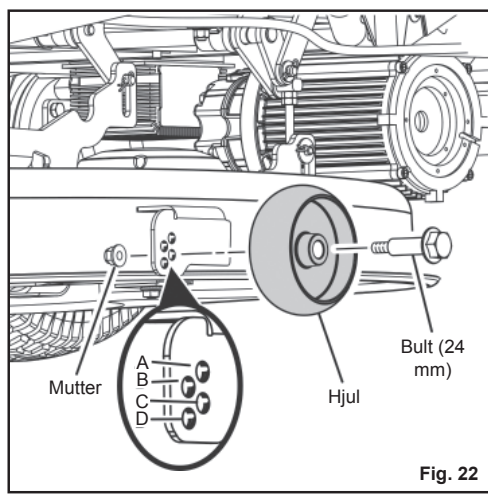


Fig. 22

TA BORT KLIPPAGGREGATET

Se bild 23.

Klippaggregatet kan tas bort från gräsklipparen för att underlätta åtkomst av bladen vid byte.

1. Se till att riktningsskotten är i friläge (N) och att spaken för aktivering av bladen är nere.
2. Stäng av produkten, slå på parkeringsbromsen och ta ur startnyckeln.

Se till att samtliga rörliga delar har stannat helt.

3. Koppla bort kablarna som ansluter klippaggregatet till gräsklipparen.
4. Ställ klippaggregatet på lägsta höjd.
5. Ta bort de fyra kopplingsstiften och brickorna som håller klippaggregatet på plats.
6. Skjut ut aggregatet från gräsklipparens undersida.

Vänd på momenten för att sätta fast klippaggregatet på gräsklipparen igen.

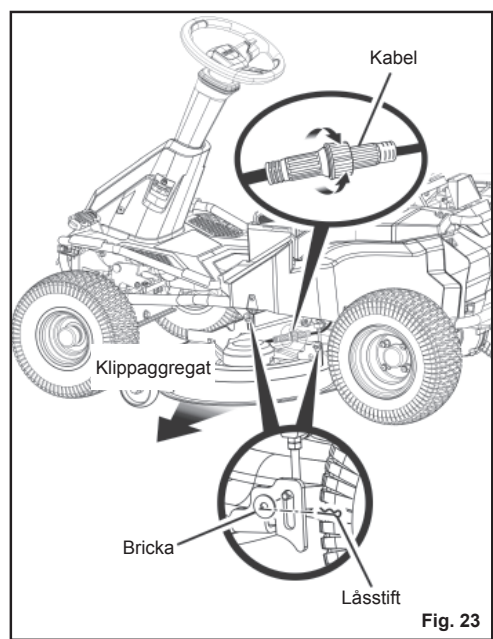


Fig. 23

BYTA UT KLIPPINGSBLADET

Se bild 24 - 26.

⚠ VARNING

Använd endast originalblad och bladbultar som är godkända av tillverkaren av din åkgräsklippare. Att använda blad och bultar som inte är godkända är farligt och kan skada din åkgräsklippare.

1. Se till att riktningsskotten är i friläge (N) och att spaken för aktivering av bladen är nere.
2. Stäng av produkten, slå på parkeringsbromsen och ta ur startnyckeln.

- Ställ klippaggregatet på maximal höjd för att ge åtkomst till bladen.

OBS: Lyft om nödvändigt gräsklipparen genom att sätta på en domkraft eller använd en domkraft och pallbock, eller ta bort klippaggregatet som beskrivits i föregående avsnitt för att få åtkomst till bladen.

⚠ VARNING

Om du lyfter klipparen för att komma åt bladen, se till att gräsklipparen är ordentligt fastsatt och att parkeringsbromsen är påkopplad innan du fortsätter. Underlåtenhet att sätta fast gräsklipparen korrekt kan leda till att den faller, vilket i sin tur kan leda till dödsfall eller allvarig personskada.

- Tryck in en träbit mellan bladet och gräsklippardäcket för att förhindra att bladen rör sig.
- Lossa på knivmuttern genom att vrida den motsols (sett från klipparens undersida) med hjälp av en 15 mm fast nyckel eller en hylsnyckel (medföljer ej).
- Ta bort knivmuttern, distansbrickan, knivskyddet och kniven.
- Placera det nya bladet på axeln mot motsvarande stolpar där bladet sitter. Försäkra dig om att kniven sitter riktigt på plats, med axeln genom hålet i knivens centrum och de två knivsträvorna införda i deras respektive hål på kniven. Kontrollera att det är monterat med de svängda delarna riktade uppåt mot gräsklippardäcket och inte nedåt mot marken. När det sitter ordentligt ska bladet vara plant mot stolparna.
- Sätt tillbaka bladisolatorn och mellanläggsbrickan, och se till att de plana sidorna på varje bit är i linje och att de raka sidorna på mellanläggsbrickans öppning är i linje med bladaxelns raka sidor.

OBS: Kontrollera att alla delar sätts tillbaka på exakt samma sätt som dem togs bort på.
- Trä bladmuttern på axeln och dra åt med fingrarna.
- Dra åt knivmuttern genom att vrida den medsols med hjälp av en skiftnyckel (medföljer ej) för att försäkra dig om att mutter sitter fast ordentligt. Rekommenderad kraft för bladmuttern är 68 - 74 Nm (600-650 in. lbs.)

⚠ VARNING

Se till att bladet sitter ordentligt och att bladmuttern är åtdragen enligt specifikationerna ovan. Om du inte sätter fast bladet ordentligt kan det lossna och leda till allvarig personskada.

Upprepa stegen med det andra bladet, om det behövs.

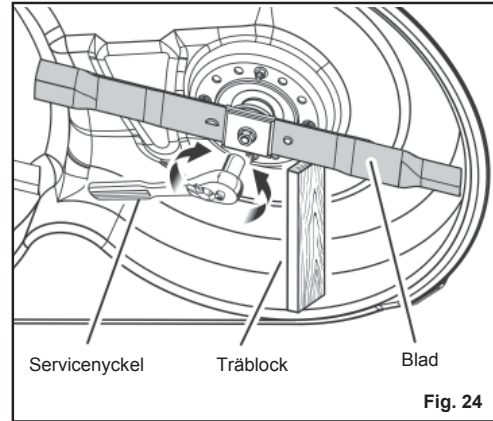


Fig. 24

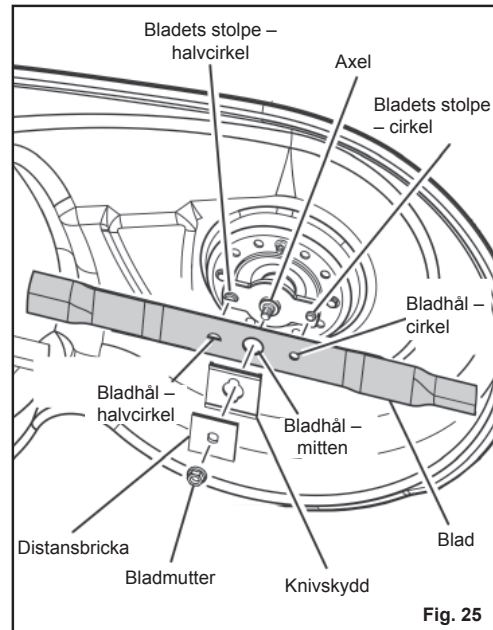


Fig. 25

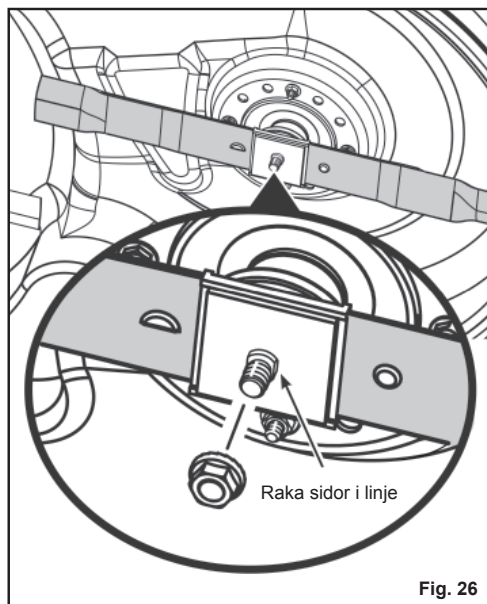


Fig. 26

DÄCKUNDERHÅLL

Produkten är utrustad med slanglösa däck med följande dimensioner:

- Framdäck: 38,1x15,2x15,2 cm
- Bakdäck: 40,6x16,5x20,3 cm

Däckens lufttryck

Kontrollera lufttrycket i alla däck före användning. Felaktigt lufttryck påverkar hantering, styrrespons, dragkraft, däckens livslängd, jämn klippning och förarkomfort. Säkerställ att däcken är pumpade till rekommenderat tryck (1,6 bar).

OBS: Däcktrycket ska endast mätas eller justeras när däcken är kalla.

⚠ VARNING

Kontrollera däcktrycket noggrant när du pumpar upp det. För mycket luft i däck kan leda till att däck spricker och orsaka allvarliga personskador.

⚠ VARNING

Att upprätthålla rätt lufttryck i däcken är mycket viktigt. För lågt tryck kan göra att däck roterar av fälgen. För högt tryck kan leda till att däck spricker. Att inte upprätthålla rätt lufttryck i däcken kan orsaka problem med gräsklipparens drift och stabilitet och orsaka allvarliga personskador.

DÄCKREPARATION

Om ett läckage eller platt däck inträffar på grund av en punktering, kan däck repareras med en lagningslapp av pluggtyp. Byt däck om punkteringen orsakats av en skärskada, eller om punkteringen inte kan repareras med en plugg.

BYTA DÄCK

När däck är slitna minskar gräsklipparens dragkraft, vilket ökar risken för olyckor. Byt ut däcken när djupet på slitbanan är 4 mm eller mindre, eller närhelst däck skadats. Använd alltid originaldäck när du byter däck. Att använda fel däck på produkten kan det leda till förlust av kontroll, vilket i sin tur kan orsaka allvarlig personskada.

Däcken får endast bytas på ett auktoriserat servicecenter.

JUSTERA BROMSARNA

Se bild 27.

Att kunna stoppa gräsklipparen på rätt sätt är avgörande för att klippa på ett säkert sätt. Om gräsklipparen fortsätter lite innan den stannar när du trampar på bromspedalen, kan bromsarna behöva justeras.

Att testa:

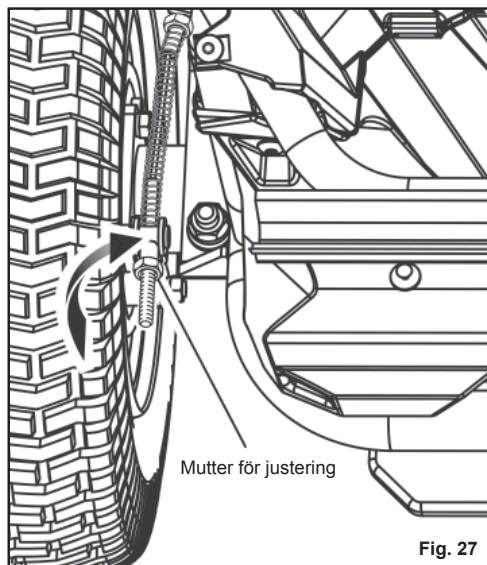
1. Stanna produkten på ett jämnt underlag och slå på parkeringsbromsen.
2. Ställ riktningsskruven i friläge (N).
3. Ställ dig bakom gräsklipparen och försök att skjuta den framåt. Om bakdäcken vrids måste bromsarna dras åt.

För att dra åt:

1. Lokalisera muttrarna för bromsjustering på bakhjulens innersida.
2. Vrid varje justeringsmutter 1/4 varv medurs och försök sedan att skjuta på klipparen igen.

3. Fortsätt rotera varje mutter 1/4 varv och testa tills gräsklipparen inte längre kan flyttas genom att skjuta på den.

Efter den sista justeringen, testa bromsarna genom att köra gräsklipparen i normal hastighet på plan mark för att vara säker på att gräsklipparen stannar snabbt när du trycker på bromspedalen.

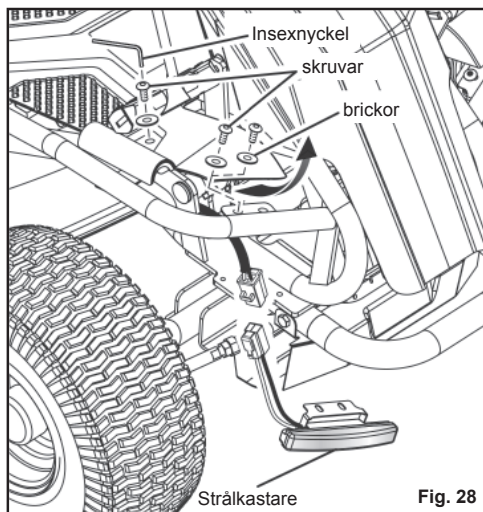


BYT UT STRÅLKASTARNA

Se bild 28.

Kontakta ett auktoriserat servicecenter för att beställa en ny strålkastare.

1. Stanna produkten på ett jämnt underlag och slå på parkeringsbromsen.
2. Stäng av produkten och ta ur startnyckeln.
3. Ta bort och lägg undan hexskruven och den platta brickan som håller gräsklipparens golvpanel på plats.
4. Lyft golvpanelen något för att komma åt de två hexskruvarna och platta brickorna som håller strålkastaren på plats. Ta bort skruvar och brickor och lägg åt sidan.
5. Koppla loss den gamla strålkastaren och kassera den.
6. Anslut den nya strålkastaren och montera och dra åt brickorna och skruvarna ordentligt.
7. Sänk ner golvpanelen och sätt tillbaka brickan och skruven för att sätta fast panelen.



JUSTERA KLIPPAGGREGAT FÖR JÄMN KLIPPNING

Se bild 29 - 30.

Om din gräsmatta verkar ojämnt klippt efter att du har använt gräsklipparen, kan klippaggregatet behöva justeras. Innan du beslutar om klippaggregatet måste justeras, se till att däckan är ordentligt pumpade till rekommenderat tryck för gräsklippning. Däck med för lågt eller högt lufttryck kan påverka klippningen, och korrekt pumpning av däckan kan vara allt som behövs för att lösa problem med ojämn klippning.

OBS: Kontrollera alltid att sidorna är placerade i rät linje och justera efter behov innan du mäter och justerar framifrån och bakåt.

Innan du börjar:

1. Se till att riktningsskruven är i friläge (N) och att spaken för aktivering av bladen är nere.
2. Stäng av produkten, slå på parkeringsbromsen och ta ur startnyckeln.
3. Ställ klippaggregatet på maximal höjd.

För att göra en justering sida till sida:

1. Placera bladen så att ändarna pekar mot gräsklipparens sidor.
2. På ytterkanten av varje blad, mät avståndet från den nedre kanten av

sidan av bladet till marken. Om avståndet mellan de två sidorna är större än 0,32 cm krävs en justering sida till sida.

- Lossa låsmuttrarna på den sida du vill justera.
- Vrid justeringsmuttrarna medurs för att höja eller moturs för att sänka klippaggregatets sida. Att vrida justeringsmuttern ett helt varv ändrar däckhöjden ungefär 0,48 cm.
- OBS:** Om du höjer sidan, måste du först vrida den övre justeringsmuttern. Om du sänker, vrid först den nedre muttern.
- Mät avståndet mellan bladet och marken igen. Fortsätt att justera och mäta tills skillnaden mellan avståndet på varje sida är 0,32 cm eller mindre.
- Fortsätt till justering framifrån eller bakåt eller dra åt muttrarna för att säkra.

Så här justerar du framsida till baksida:

OBS: Justera alltid däckets sida till sida innan du justerar framsida till baksida.

- Placera bladet närmast sidoutkastet så att ändarna nu pekar mot gräsklipparens främre och bakre del.
- Mät avståndet från bladets spets till marken. För bästa resultat bör bladets främre spets vara från 0,32 cm till 0,95 cm lägre än den bakre spetsen.
- Om justering fram till bak behövs, vrid justeringsmuttrarna medurs för att höja eller moturs för att sänka klippaggregatets baksida. Att vrida justeringsmuttern ett helt varv ändrar däckhöjden ungefär 0,32 cm.
- OBS:** Se till att vrida justeringsmuttrarna på båda sidor lika mycket för att förhindra att mätningen för sida till sida blir fel igen.
- Mät avståndet mellan bladet och marken igen för att kontrollera att den främre spetsen är 0,32 cm till 0,95 cm lägre än den bakre spetsen. Om inte, fortsätt att justera och mäta tills de är det.
- Utan att flytta justeringsmuttrarna, dra åt låsmuttrarna igen för att hålla justeringsmuttrarna på plats.

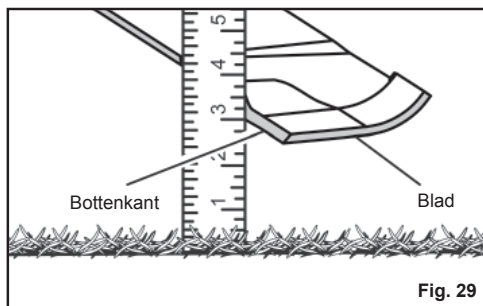


Fig. 29

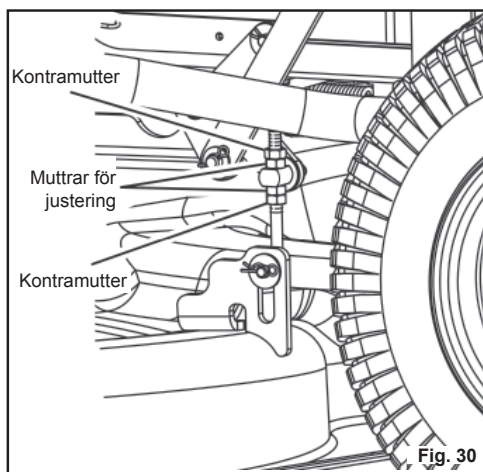


Fig. 30

BYTA UT BATTERIET

Se bild 31 - 36.

OBS: Använd endast blybatterier till RYOBI åkgräsklippare, artikelnummer: 5131042607.

Gräsklipparen drivs med fyra seriekopplade 12-voltsbatterier. Om du byter ut ett eller flera av batterierna ska du alltid byta ut dem med batterier av samma typ med samma spänning och kapacitet.

⚠ VARNING

Använd endast originalblybatterier vid byte. Blanda aldrig olika märken och storlekar på batterier i serien. Om du gör det kan det så småningom orsaka skador på batterierna och kan också skada gräsklipparen.

⚠ VARNING

Batterierna får inte öppnas eller skadas. Elektrolyt som läcker ut är korrosivt och kan orsaka ögon- och hudskador. Det kan vara giftigt om det sväljs.

Bränn inte batteriet. Batterierna kan explodera. Kontrollera lokala regler för eventuella särskilda instruktioner för avfallshandling.

När batteripaketet inte används ska det hållas bort från metallföremål som gem, mynt, nycklar, spikar, skruvar och andra små metallföremål som kan kortsluta batteriets kontakter. Kortslutning av batteriets poler kan orsaka gnistor, lågor, eldsvåda eller explosion.

Var försiktig när du hanterar batterier för att inte kortsluta batteriet med ledande material som ringar, armband och nycklar. Batteriet eller ledaren kan överhettas och orsaka brännskador.

1. Stanna produkten på ett jämnt underlag och slå på parkeringsbromsen.
2. Stäng av produkten och ta ur startnyckeln.
3. Vänd gräsklipparsätet upp och ner.
4. Tryck på de två flikarna på vardera sidan av kabelhöljet, lyft upp locket och vrid det till ena sidan.
5. Ta bort och lägg undan sexkantsbulten som håller batterifacket på plats.
6. Koppla bort batteriets snabbanslutningsplugg. Den här kontakten ansluter batterierna till gräsklipparen.
7. Ta bort de fyra skruvarna som håller batterifackets lock på plats.
8. Koppla bort termistorkontakten. Pluggen ansluter batterierna till laddningsporten.
9. Ta bort de två flämsmuttrarna och flänsskruvarna som håller batterifackets framsida på plats.
10. Dra ut batterifacket och vila änden utanför gräsklipparen på en stabil yta som kan stödja minst 136,1 kg.

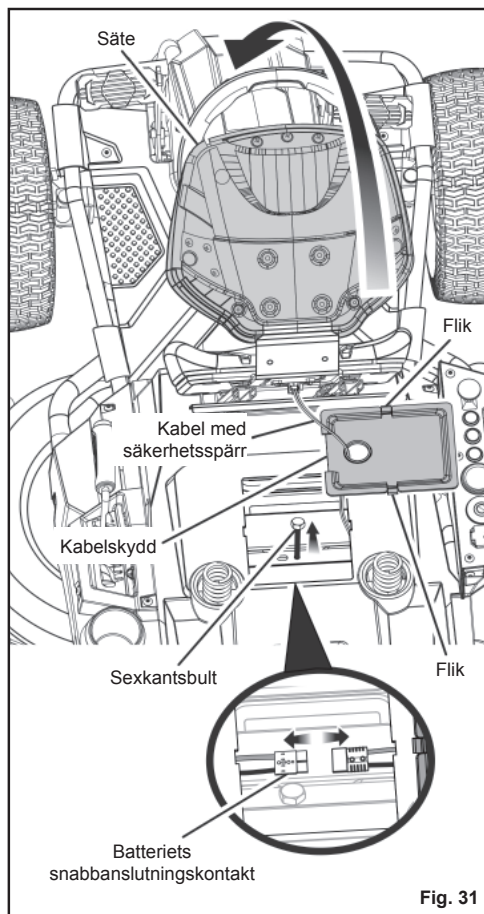


Fig. 31

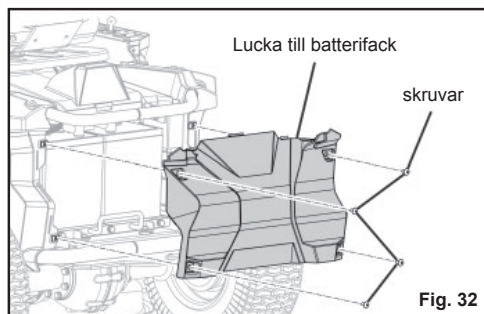


Fig. 32

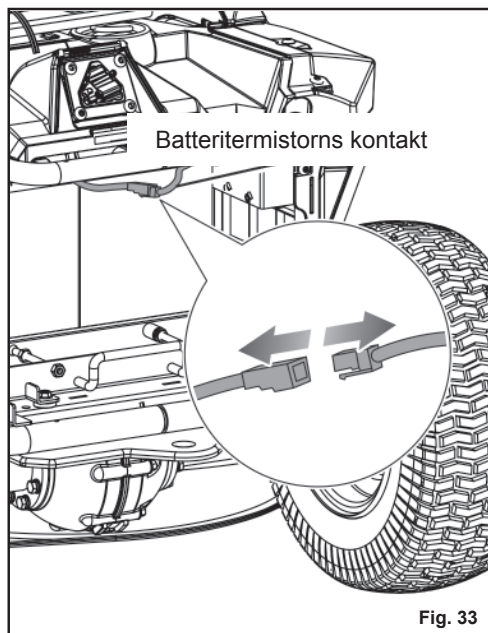


Fig. 33

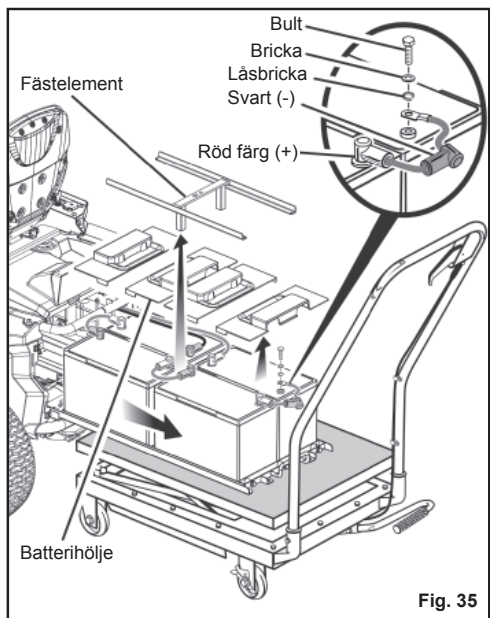


Fig. 35

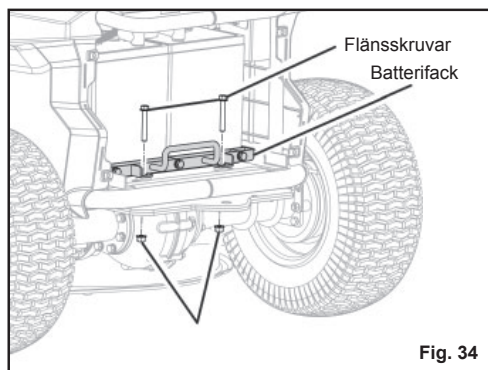


Fig. 34

⚠ VARNING

Batterifacket är mycket tungt och kräver åtminstone två personer för att förlänga det. Vi rekommenderar användning av en hydraulisk vagn i bordstyp (eller liknande anordning) för att förlänga facket. Underlåtenhet att förlänga och stödja batterifacket på rätt sätt kan leda till allvarig personskada och skada på gräsklipparen.

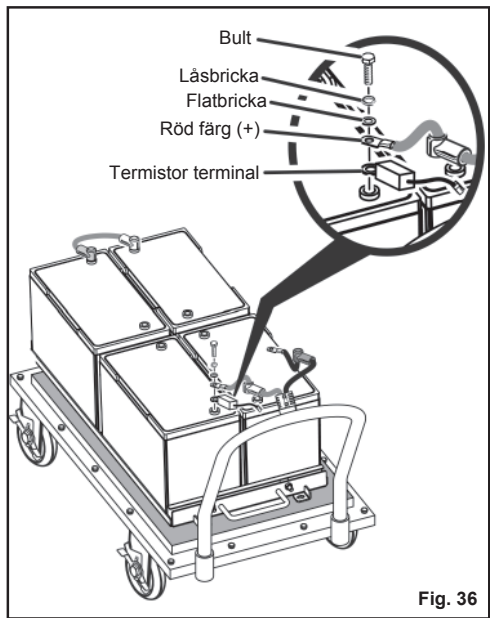


Fig. 36

⚠ VARNING

Vätska kan läcka ut från batteripaketet vid felaktig användning; undvik kontakt med vätskan. Spola med vatten om du kommer i kontakt med den. Om vätskan kommer i kontakt med ögonen, kontakta också läkare. Den kan orsaka irritation och brännskador.

11. Lyft upp batterifästet från batterierna och lägg det åt sidan.
12. Ta bort och lägg batterilocken för batteriet/batterierna som ska bytas ut åt sidan.
13. Koppla bort batteriet eller batterierna som måste bytas ut.
Koppla först bort den negativa (svarta) kabeln, sedan den positiva (röda) kabeln. Var försiktig så att du inte kortsluter terminalerna.
OBS: När du kopplar bort de bakre kablarna bör du notera positionen för batteriterminalens termistor på den positiva polen. Se till att installera terminalen på samma plats igen.
14. Byt ut batteriet eller batterierna vid behov och sätt tillbaka kablarna. Anslut först den positiva (röda) kabeln, sedan den negativa (svarta) kabeln och var noga med att inte kortsluta terminalerna.
15. Sätt tillbaka batterilocken och batterifästet.
16. Tryck tillbaka batterifacket in i gräsklipparen så att du kan återansluta batteriets snabbanslutningskontakt.
OBS: För att få tillräckligt med hävstång för att återansluta är det ofta lättare att ansluta från batterifackets område snarare än området under sätet.
17. När batterierna har anslutits till gräsklipparen igen, tryck tillbaka batterifacket helt in i gräsklipparen.
18. Sätt tillbaka flänsskruvarna och flänsmuttrarna för att hålla batterifackets bakkant på plats. Dra åt ordentligt.
19. Sätt tillbaka sexkantsbulten för att sätta fast batterifacket. Dra åt ordentligt.
20. Anslut batteritermistorn.
21. Sätt tillbaka batterifacket och sätt tillbaka hårdvaran för att säkra den.
OBS: Se till att flikarna på batterifackets lock sitter i spåren på gräsklipparens topp- och sidopaneler innan du drar åt skruvarna.

22. Sätt tillbaka ledningsskyddet och tryck ner tills det låses fast på plats och sänk sedan ned sätet.

OBS: Se alltid till att kabelanslutningen med säkerhetspärn fortfarande sitter ordentligt vid byte av kabelskyddet.

OBS: Följ alltid säkerhetsföreskrifterna som medföljer batteriet. Kassera gamla batterier enligt lokala och statliga bestämmelser.

FÖRVARA PRODUKTEN

Följande steg bör vidtas innan produkten förvaras:

- Parkera gräsklipparen på ett jämnt underlag och slå på parkeringsbromsen.
- Ta bort all ansamling av gräs och löv på eller runt motorkåpan. Torka ren klipparen med en torr trasa. Använd inte vatten för att rengöra produkten.
- Anslut produkten till laddning under hela förvaringstiden.
OBS: Om det inte går att lämna laddaren ansluten till gräsklipparen under förvaring, ladda batterierna minst en gång i månaden under förvaring. Batterierna laddas bäst vid temperaturer från 0 °C till 40 °C.
- Förvara produkten på en ren, torr plats som är otillgänglig för barn. Förvara inte i närheten av någon apparat med låga, t.ex. en gasvattenberedare, torktumlare eller ugn.
OBS: Lämna inte startnyckeln i produkten under förvaring.
- Håll produkten borta från frätande ämnen, såsom trädgårdskemikalier och vägsalt.

FÖRBEREDA FÖR ANVÄNDNING EFTER FÖRVARING

Följande steg bör vidtas innan produkten används efter att den har förvarats:

- Granska underhållsschemat.
- Ladda batterierna helt.
- Kontrollera däcktrycket och pumpa vid behov.
- Kör produkten en kort stund och kontrollera alla system och komponenter för att säkerställa att de fungerar korrekt.

UNDERHÅLLSSCHEMA

EN
FR
DE
DA
SV
FI
NO

	Inspektera varje gång den skall användas	Var femte timma	Var 50:e timme eller årligen	Innan förvaring	En gång i månaden under förvaring
Kontrollera om bromsen fungerar	■				
Kontrollera däcktryck	■				
Kontrollera sidoutkastet och säkerhetssystemet för förarnärvaro	■				
Kontrollera lösa fästen.	■			■	
Ta bort skräp från produkten	■			■	
Kontrollera/byt ut mulchingblad	■	■			
Rengör batteripolerna			■		
Ladda batteriet.	■				■

OBS: Underhåll bör utföras oftare när produkten används i dammiga områden.

När produkten har uppnått de maximala driftsiffror som anges i tabellen skall underhåll fortfarande utföras i enlighet med de tids- eller timintervall som anges i denna bruksanvisning.

Om du är osäker på hur du utför någon av underhållspunkterna som listas ovan, låt ett auktoriserat servicecenter serva produkten.

TILLBEHÖR

Beskrivning	delnummer
Mulchingblad (för mulching- och sidoutkast)	RAC438 (996516)

⚠ VARNING

Aktuella tillbehör som är tillgängliga för användning med produkten listas ovan. Använd inga andra delar eller tillbehör än sådana som rekommenderas av tillverkaren för detta verktyg. Användning av icke rekommenderade delar eller tillbehör kan medföra risker för allvarliga skador.

UTBYTESDELAR

Beskrivning	delnummer
Mulchingskydd	5131042540
Sidoutkast	5131042541
Framhjul	5131042542
Bakhjul	5131042543
Batteri	5131042607

FELSÖKNING

Om dessa lösningar inte löser problemet, bör produkten endast repareras på ett auktoriserat servicecenter.

Problem	Möjlig orsak	Lösning
Klipparen startar inte.	Batteriets laddning är låg.	Ladda batteriet.
	Laddaren är ansluten till produkten.	Koppla loss laddaren från produkten.
	Startknappen är inte intryckt eller är i AV-läge.	Sätt i startnyckeln och vrid till PÅ-läget.
	Dåliga batterikabelanslutningar	Kontrollera och rengör alla batterianslutningar.
Produkten rör sig inte.	Startknappen är inte intryckt eller är i AV-läge.	Sätt i startnyckeln och vrid till PÅ-läget.
	Parkeringsbromsen är påslagen.	Koppla från parkeringsbromsen.
	Riktningsskivans kontroll är i frikopplingsläge (N).	Placera riktningsskivans kontroll i önskat läge (framåt eller bakåt).
	Bromspedalen är nedtryckt och/eller gaspedalen är inte nedtryckt.	Släpp bromspedalen och trampa på gaspedalen.
	Föraren är inte helt på plats.	Sätt dig helt ner på sätet, för tillbaka kopplingsspakarna till friläge och försök igen
Klipparen klipper gräset ojämnt.	Däcktrycket är ojämnt.	Kontrollera däcktrycket i alla fyra däck.
	Klippaggregatet är inte plant.	Justera klippaggregatets höjd.
	Bladet är slitet, böjt, löst eller slött.	Byt ut kniven.
	Det finns ansamling av skräp under produkten.	Rengöra undersidan av gräsklipparen.
	Klipp hastigheten är för snabb.	Klipp med en lägre hastighet.
Klipparen finfördelar inte klipset ordentligt.	Vått gräsklipp har fastnat på undersidan av klippaggregatet.	Vänta tills gräset har torkat innan du klipper.
	Gräset är för långt.	Klipp en gång i en hög klipp höjd, klipp sedan igen i önskad höjd.
	Bladet är slitet, böjt, löst eller slött.	Byt ut kniven.
	Klipp hastigheten är för snabb.	Klipp med en lägre hastighet.
Gräsklipparen vibrerar vid högre hastigheter.	Bladet är obalanserat, löst eller överdrivet eller ojämnt slitet.	Byt ut kniven.
	Motoraxeln är krökt.	Stanna motorn och ta ur startnyckeln. Inspektera produkten noggrant efter skada. Låt produkten servas av ett auktoriserat servicecenter innan du startar om den.

Dåligt gräsutkast.	Sidoutkastet eller öppningen är igentäppt.	Rengör sidoutkastet och öppningen.
	Gräset är vått.	Låt gräset torka innan du klipper.
	Klipphastigheten är för snabb.	Klipp med en lägre hastighet.
	Gräset är för långt.	Klipp en gång i en hög klipphöjd, klipp sedan igen i önskad höjd.
Motorn stannar medan du klipper.	Klipphöjden är för låg.	Höj klipphöjden.
	Batteriets laddning är låg.	Ladda batteriet.
Bladen roterar inte.	Batteriets laddning är låg.	Ladda batteriet.
	Sidotömningens låsbrytare trycks inte in av sidoutkastet.	Tryck ner sidoutkastet och se till att det trycker ner sidotömningens låsbrytare helt.
	Spaken för aktivering av bladen är nere.	Dra upp spaken för aktivering av bladen.
	Föraren är inte helt på plats.	Sätt dig helt ner på sätet.
	Det finns ansamling av skräp under gräsklipparen.	Rengöra undersidan av gräsklipparen.
Bladen roterar inte när du klipper medan du backar.	Klippning i backläge är avstängt.	Tryck på backknappen för att aktivera backläget.
	Spaken för aktivering av bladen är nere.	Dra upp spaken för aktivering av bladen.
Produkten kommer inte upp i full hastighet.	Batteriets laddning är låg.	Ladda batteriet.
Bladen fortsätter att röra sig efter att föraren lämnar sätet utan att slå på parkeringsbromsen.	Säkerhetsspärssystemet fungerar inte korrekt.	Säkerställ att kontakten till sätets säkerhetssystem är ordentligt ansluten. Om bladen fortfarande inte stannar, bör produkten endast servas på ett auktoriserat servicecenter.
Strålkastarna fungerar inte.	Strålkastarna är avstängda.	Tryck på strålkastarknappen för att slå på strålkastarna.
	Strålkastarna är skadade.	Byt ut strålkastarna.
Batteriet laddas inte.	Battericellerna är dåliga.	Byt ut batteriet.
	Kabelanslutningarna är dåliga.	Kontrollera och rengör alla batterianslutningar.

VANLIGA FRÅGOR

- Ska gräsklipparen vara kvar i laddaren när den inte används?
 - Ja, ladda gräsklipparen kontinuerligt när den inte används.
- Vad är det rekommenderade däcktrycket och hur ofta ska jag kontrollera lufttrycket i däcken?
 - För bästa prestanda bör däcktrycket vara 1,6 bar. Kontrollera däcktrycket före varje användning.
- Vad kan få bladen att stanna under användning?
 - Kontrollera batterinivåindikatorn. Klippaggregatets motor stängs av när batterinivån blir låg så att du får tillräckligt med tid att köra tillbaka till laddningsplatsen. Kör tillbaka och ladda batteriet omedelbart.
 - Om batterinivån inte är låg, sakta ner eller höj klippaggregatet till en högre nivå. Hög belastning kan också orsaka att en eller båda av klippaggregatets motorer stannar.
 - Kontrollera att sidoutkastet är ordentligt stängt. Tryck ner sidoutkastet och se till att det trycker ner sidouttömningens låsbrytare helt.
- När gräsklipparen rullar fritt i friläge, varför accelererar den ibland och ibland inte?
 - För din säkerhet och bättre prestanda är gräsklipparen utformad för att automatiskt begränsa hastigheten när du åker i en slänt, vilket kan orsaka hastighetsfluktuationer.
- Varför gör gräsklipparen ett pipande ljud när jag backar?
 - För att uppmärksamma personer i närheten om gräsklipparen.
- Hur stannar jag gräsklipparen helt när jag kör?
 - För att stoppa gräsklipparen, trampa på bromspedalen på förarens vänstra sida. Den här produkten har inte hydrostatisk drift.
- Varför gör gräsklipparen ett pipande ljud när jag lämnar sätet?
 - Parkeringsbromsen har inte varit påslagen eller startknappen är fortfarande intryckt och i PÅ-läge. Ta alltid bort nyckeln när gräsklipparen inte används.
- När ska jag använda parkeringsbromsen?
 - Slå alltid på parkeringsbromsen innan du kliver av gräsklipparen.
- Kan jag skölja av klippaggregatet med en trädgårdsslang?
 - Rengör inte produkten med vatten. Använd en fläkt eller luftkompressor för att rengöra den.

Turvallisuus, tehokkuus ja käyttövarmuus ovat päältäajettavan ruohonleikkurin tärkeimpiä ominaisuuksia.

KÄYTTÖTARKOITUS

Päältäajettava ruohonleikkuri on tarkoitettu vain ulkokäyttöön.

Tämä tuote on tarkoitettu kotinurmikon leikkuuseen. Leikkuuterän on pyörittävä suunnilleen sen alla olevan maanpinnan suuntaisesti. Jokaisen neljän pyörän tulee koskettaa maata ruohoa leikattaessa.

Tuote on tarkoitettu käytettäväksi ainoastaan kotona, ja sitä saavat käyttää ainoastaan aikuiset, joilla on oltava asianmukaiset tiedot tuotteen käyttöön liittyvistä vaaroista ja niiden ehkäisyä koskevista toimenpiteistä/toimista käytön aikana.

Älä käytä muihin tarkoituksiin.

YLEISET TURVALLISUUSVAROITUKSET

▲ VAROITUS

Lue kaikki laitteen mukana toimitetut turvaohjeet, kuvat ja tekniset tiedot. Näiden ohjeiden laiminlyönti voi aiheuttaa onnettomuuksia kuten tulipalon, sähköiskun ja/tai vakavia ruumiinvammoja.

Säilytä nämä varoitukset ja ohjeet myöhempäa tarvetta varten.

Turvallisuusohjeissa käytetty "sähkötyökalu" termi tarkoittaa sekä verkkovirtaan kytkettäviä että johdottomia työkaluja.

TYÖSKENTELYALUEEN TURVALLISUUS

- **Pidä työskentelyalue puhtaana ja hyvin valaistuna.** Epäjärjestyksessä olevat ja pimeät alueet myötävaikuttavat onnettomuuksiin.
- **Älä käytä sähkötyökaluja räjähdysvaarallisessa ympäristössä, kuten helposti syttyvien nesteiden, kaasun tai pölyn läheisyydessä.** Sähkötyökaluista lähtevät kipinät voivat sytyttää ne palamaan tai räjäyttää ne.
- **Pidä lapset, ulkopuoliset ja kotieläimet syrjässä, kun työskentelet sähkötyökaluilla.** Vaarana on huomion pois kääntyminen ja työkalun hallinnan menettäminen.

SÄHKÖTURVALLISUUS

- **Sähkötyökalun pistokkeen on sovelluttava pistokyttimeen. Älä koskaan korjaa pistoketta. Älä koskaan käytä sovitinta maadoitettujen sähkötyökalujen kanssa.** Vältä sähköiskuvaaran.
- **Älä koske maadoitettuihin pintoihin (putket, lämpöpatterit, liedet, jääkaapit jne.).** Sähköiskuvaara kasvaa, jos joku ruumiinosa on kosketuksessa maadoitettuihin pintoihin.
- **Älä jätä sähkötyökalua sateeseen tai kosteaan paikkaan.** Sähköiskuvaara kasvaa, jos sähkötyökalun sisäosiin pääsee vettä.
- **Pidä liitäntäjohto hyväkuntoisena. Älä koskaan pidä työkalua liitäntäjohdosta, äläkä vedä liitäntäjohdosta sen irrottamiseksi verkkovirrasta. Pidä liitäntäjohto kaukana lämpölähteistä, öljystä, terävistä esineistä ja liikkuvista osista.** Sähköiskuvaara kasvaa, jos liitäntäjohto on viallinen tai sotkuilla.
- **Kun työskentelet ulkona, käytä yksinomaan ulkokäyttöön sopivia jatkojohtoja.** Vältä sähköiskuvaaran.
- **Jos et pysty välttämään työkalun käyttöä kosteassa ympäristössä, kytke se differentiaalivirtalaitteella (DDR) suojattuun virransyöttöön.** RCD -laitteen käyttö rajoittaa sähköiskuvaaraa.

HENKILÖTURVALLISUUS

- **Pysy valppaana, katso mitä teet ja käytä tervettä järkeä kun käytät sähkötyökalua. Älä käytä sähkötyökalua mikäli olet väsynyt, alkoholin tai huumeiden vaikutuksen alainen tai mikäli olet lääkekuurilla.** Muista aina, että hetken kestävä huolimattomuus voi johtaa vakavaan loukkaantumiseen.
- **Käytä suojalaitteita. Suojaa aina silmät.** Olosuhteista riippuen, käytä myös pölynsuojanaamaria, liukumattomia turvajalkineita, suojakypärää ja kuulonsuojaimia vakavien ruumiinvammojen välttämiseksi.
- **Ehkäise vahingossa tapahtuvat käynnistykset. Varmista, että katkaisin on "seis" asennossa ennen, kuin kytket työkalun verkkovirtaan tai asennat siihen akun sekä myös silloin, kun kannat tai kuljetat työkalua.**

Onnettomuuksien ehkäisemiseksi, älä siirrä työkalua sormen ollessa liipaisimella äläkä kytkä sitä verkkovirtaan tai asenna siihen akkua, kun katkaisin on “käynnissä” asennossa.

- **Poista kiristysavaimet ennen kuin käynnistät työkalun.** Työkalun liikkuvaan osaan unohtunut kiristysavain voi aiheuttaa vakavia ruumiinvammoja.
- **Etsi aina asento, jossa pysyt tasapainossa.** Pysyttele tukevasti jaloillasi äläkä kurkota käsivartta liian kauas. Tukeva työskentelyasento sallii työkalun moitteettoman hallinnan kaikissa olosuhteissa.
- **Käytä sopivia pukimia.** Älä pukeudu väliin vaatteisiin ja koruihin. Pidä hiuksesi ja vaatteesi loitolla liikkuvista osista. Väljät vaatteet, korut ja pitkät hiukset voivat tarttua liikkuviin osiin.
- **Jos työkalun mukana toimitetaan pölynkokoajajärjestelmä, asenna ja käytä sitä oikein.** Vältä tapaturmavaaran.
- **Vaikka koneen paljosta käytöstä tulisi sinulle rutiini, muista aina noudattaa turvallisuusmääräyksiä.** Huolimaton toiminta voi aiheuttaa vakavat vammat sekunnin murto-osassa.

SÄHKÖTYÖKALUJEN KÄYTTÖ JA HUOLTO

- **Älä pakota työkalua.** Käytä työhön sopivaa työkalua. Sähkötyökalu on tehokkaampi ja varmempi, jos käytät sitä sille sopivalla pyörimisnopeudella.
- **Älä käytä sähkötyökalua, jos sitä ei voida käynnistää ja sammuttaa katkaisimella.** Työkalu, jota ei voida käynnistää ja katkaista oikealla tavalla on vaarallinen ja se on korjattava välittömästi.
- **Irrota pistoke virtalähteestä ja/tai poista akku, jos irrotettavissa, konetyökalusta ennen kuin teet mitään säätöjä, vaihdat lisälaitteen tai varastoit koneen.** Vältä epähuomiossa tapahtuvat työkalun käynnistykset.
- **Varastoi sähkötyökalut aina lasten ulottumattomiin.** Älä anna kokemattomien tai turvallisuusohjeita tuntemattomien henkilöiden käyttää työkalua. Sähkötyökalut ovat vaarallisia kokemattomien henkilöiden käsissä.
- **Konetyökalun ja lisälaitteiden huolto.** Tarkista liikkuvien osien kohtisuus.

Tarkista, ettei yksikään osa ole rikkoutunut. Tarkista asennus ja kaikki osat, jotka voivat vaikuttaa haitallisesti työkalun toimintaan. Mikäli viallisia osia on, korjauta työkalu ennen sen käyttöä. Onnettomuuksien aiheuttajana on usein työkalun huolimaton kunnossapito.

- **Pidä työkalut puhtaina ja terävinä.** Kiinni tarttuminen on harvinaisempaa ja hallinnan säilyttäminen helpompaa, kun leikkuutyökalu on hyvin teroitettu ja puhdas.
- **Käytä sähkötyökalua, sen varusteita, teriä jne. näiden käyttöohjeiden mukaisesti ja huomioi käyttöolosuhteet sekä toivotut käyttötarkoitukset.** Vaarallisten tilanteiden ehkäisemiseksi, älä käytä työkalua muuhun, kuin sille tarkoitettuun työhön.
- **Pidä kädensijat ja tarttumapinnat kuivina ja puhtaina öljy- ja rasvatahroista sekä muusta liasta.** Liukkaat kädensijat ja tarttumapinnat vaarantavat koneen turvallisen käsittelyn ja ohjaamisen ylläpitävissä tilanteissa.

JOHDOTTOMIA TYÖKALUJA KOSKEVAT ERIKOISTURVAOHJEET

- **Älä lataa työkalun akkua muulla, kuin valmistajan suosittelemalla latauslaitteella.** Latauslaite on tarkoitettu ennalta määrätyille akkutyypeille ja se voi aiheuttaa tulipalon, jos sitä käytetään muuntyyppisen akun lataukseen.
- **Johdottoman työkalun kanssa tulee käyttää vain yhtä erityistä akkutyyppeä.** Muunlaisten akkujen käyttö voi aiheuttaa tulipalon.
- **Kun akku ei ole käytössä, pidä se kaukana metalliesineistä kuten liittimistä, kolikoista, avaimista, nauloista, ruuveista ja muista esineistä, jotka saattavat aiheuttaa napojen keskinäisen kytkeytymisen.** Akun napojen oikosulkuun saattaminen voi aiheuttaa palovammoja tai tulipalon.
- **Vältä koskemasta akkunesteeseen liian raskaan käytön aiheuttaman vuodon yhteydessä.** Mikäli näin tapahtuu, huuhtelee välittömästi saastunut alue runsaalla puhtaalla vedellä. Jos nestettä on joutunut silmiin, ota yhteys lääkäriin. Akkuneste voi aiheuttaa ärsytysherkkyyttä tai palovammoja.

- **Älä käytä akkua tai työkalua, joka on vaurioitunut tai jota on muunneltu.** Vaurioituneet tai muunnetut akut saattavat aiheuttaa tulipalon, räjähdysten tai henkilövamman.
- **Älä pidä akkua tai työkalua tulen tai muun kuumen lämmönlähteen lähellä.** Altistaminen yli 130°C:n lämpötilalle voi aiheuttaa räjähdysten.
- **Noudata lataamisesta annettuja ohjeita ja älä lataa akkua tai työkalua ohjeissa määritellyn lämpötila-alueen ulkopuolella.** Väärällä tavalla tai määritellyn lämpötila-alueen ulkopuolella lataaminen saattaa vaurioittaa akkua ja lisätä tulipalon riskiä.

HUOLTO

- **Kaikki korjaustyöt on annettava ammattitaitoisen huoltomiehen tehtäväksi ja vaihdossa on käytettävä yksinomaan alkuperäisiä varaosia.** Näin toimien voit käyttää sähkötyökalua täysin turvallisesti.
- **Älä koskaan käytä vaurioitunutta akkua.** Akkua saa huoltaa vain sen valmistaja tai valtuutettu palveluntarjoaja.

PÄÄLTÄAJETTAVAN RUOHONLEIKKURIN TURVALLISUUSVAROITUKSET

KOULUTUS

- Noudata turvallisuussääntöjä tuotetta käyttäessäsi. Oman ja sivullisten turvallisuuden vuoksi, lue nämä ohjeet ennen tuotteen käynnistämistä. Säilytä ohjeet tulevaa käyttöä varten.
- Anna tuote ainoastaan sellaisten vastuuntuntoisten aikuisten käyttöön, jotka tuntevat ohjeet ja ymmärtävät ne.
- Tutustu ohjaimiin ja tuotteen asianmukaiseen käyttöön.
- Käytä aina suojalaitteita. Älä käytä tuotetta ilman, että sivupoistokouru on paikoillaan ja toimintakunnossa. Silppurin kannen tulee olla asennettuna oikeaoppisesti, ja sen on toimittava kunnolla silppuamisen aikana.
- Varo mahdollisia vaaroja, kun et käytä tuotetta tai kun vaihdat lisävarusteita. Vähennät sähköisku-, tulipalo- ja loukkaantumisvaaraa.
- Älä koskaan kuljeta aikuisia tai lapsia – vaikka terät olisivatkin pysähdyksissä. Matkustajat saattavat pudota ja loukkaantua vakavasti tai haitata tuotteen turvallista käyttöä. Lapset, jotka ovat joskus päässeet kyytiin, voivat yllättäen ilmaantua leikkuualueelle päästäkseen uudelleen kyytiin. Tällöin vaarana on, että leikkuri ajaa tai peruuttaa heidän päälleen.
- Muista, että ruohonleikkurin käyttäjä on vastuussa vahingoista ja vaaroista, jotka hän aiheuttaa muille ihmisille ja heidän omaisuuksilleen
- Älä koskaan salli lasten tai ihmisten, joiden fyysiset tai henkiset kyvyt tai aistit ovat heikentyneet, tai näitä ohjeita tuntemattomien käyttää, puhdistaa tai huoltaa tuotetta. Paikalliset säädökset saattavat asettaa rajastuksia käyttäjän iälle. Lapsia on pidettävä asianmukaisesti silmällä, jotta he eivät pääse leikkimään tuotteella.
- Noudata valmistajan käyttöohjeita ja lisäosien asentamista koskevia ohjeita. Käytä ainoastaan valmistajan toimittamia alkuperäisiä lisävarusteita. Muiden lisävarusteiden käyttö voi lisätä loukkaantumisen vaaraa.
- Älä koskaan häiritse turvalaitteen käyttötarkoitusta tai poista turvalaitteen tarjoamaa suojaa. Tarkista turvalaitteiden oikeaoppinen toiminta säännöllisesti.
- Älä koskaan peukaloi turvalaitteita. Tarkista turvalaitteiden oikeaoppinen toiminta säännöllisesti.
- Älä koskaan käytä tuotetta, kun ihmisiä, erityisesti lapsia, tai lemmikkejä on 15 metrin etäisyydellä tuotteesta, koska terää koskettavat kappaleet saattavat sinkoutua ilmaan.
- Älä käytä tuotetta paikassa, jossa on salamaniskun vaara.
- Älä käytä laitetta huonosti valaistuissa olosuhteissa. Käyttäjällä on oltava esteetön näkyvyys työalueelle, jotta hän näkee mahdolliset vaaratekijät.
- Pidä kädet ja jalat poissa leikkuualueelta. Leikkuualue on leikkuulaitteen alla ja sivupoistokourun sisällä. Pidä sivupoistokourun aukko aina vapaana. Älä kurkottele leikkuulaitteen alle.
- Noudata lisävarusteiden vaihtoa koskevia ohjeita.



VALMISTELUT

- Käytä kestäviä pitkiä housuja, pitkähihaista yläosaa ja vanikkoja luistamattomia jalkineita. Älä käytä sortseja ja sandaaleja tai kulje avojaloin. Älä käytä löysiä vaatteita tai vaatteita, joista riippuu nuoria tai siteitä.
- Käytä aina sivusuojilla varustettuja suojalaseja. Käytä suojanaamaria, jos työntekosi on pölyistä.
- Terän sinkoamat esineet voivat aiheuttaa vakavia henkilövammoja. Tarkista huolella alue, jolla laitetta käytetään, ja poista kaikki kivet, tikut, metallikappaleet, johdot, luut, lelut ja muut vierasesineet. Pidä mielessä, että kaikenlaiset narut ja langat voivat sotkeutua teriin.
- Tarkista tuote aina silmämääräisesti ennen käyttöä varmistaaksesi, että terät, terän mutterit ja leikkurikokonaisuus eivät ole kuluneita tai vaurioituneita.
- Vaihda kuluneet tai vaurioituneet terät ja mutterit sarjoina, jotta tasapaino säilyy.
- Vaihda kuluneet ja vioittuneet osat ennen tuotteen käyttöä.
- Älä koskaan kohdista leikkuurooskaa ketään päin. Suunnittele ajoreitti siten, että materiaalia ei sinkoudu sivullisten ja autojen päälle tai teille, jalankulkukäytävälle ja ikkunoihin. Vältä myös poistoainesta sinkoutumasta seinää tai muita esteitä vasten, sillä se saattaa singota takaisin päällesi.

KÄYTTÖ

- Kun tuote käynnistetään, käyttäjän on istuttava tukevasti istuimella ohjauspyörän takana. Älä koskaan käynnistä tuotetta, jos
 - kaikki neljä pyörää eivät ole maassa
 - sivupoistokouru on avoin eivätkä ruohokerääjä tai silppurin kansi suojaa sitä
 - kädet ja jalat ovat leikkuuterien tiellä
- Kytke terät pois päältä, kun tuotetta ei käytetä.
- Älä koskaan käytä tuotetta suljetussa tilassa.

- Pysäytä terä, kun ylität sorateitä, jotta soraa ja kiviä ei sinkoutuisi. Aja tuotetta hitaasti ja varoen, ettet menetä sen hallintaa.
- Käynnistä moottori huolellisesti ohjeiden mukaisesti ja pidä kädet ja jalat kaukana teristä. Älä laita käsiä tai jalkoja lähelle pyöriäviä osia tai niiden alle.
- Älä leikkaa peruutus suunnassa, ellei ehdottomasti välttämätöntä. Katso aina alas ja taaksesi ennen peruuttamista ja peruuttamisen aikana.
- Katso aina taaksesi ja alaspäin, ettei tiellä ole pieniä lapsia, muita sivullisia tai lemmikkieläimiä, ennen kuin peruutat ja peruuttamisen aikana.
- Noudata erityistä varovaisuutta lähellä sokeita kulmia, pensaita, puita ja muita kohteita, kuten riippuvia pensaita, jotka voivat estää näkyvyyttä.
- Hidasta ennen kuin käännät.
- Rinteissä syntyy paljon hallinnan menetyksestä ja kaatumisista johtuvia onnettomuuksia, joista voi olla seurauksena vakava loukkaantuminen tai jopa kuolema. Rinteessä toimiminen vaatii erityistä varovaisuutta. Jos et kykene peruuttamaan rinteessä tai tunnet olosi epävarmaksi, älä leikkaa ruohoa. Älä käytä tuotetta koskaan jyrkissä rinteissä, joiden kaltevuus on yli 15°. Kopioi tai leikkaa Rinneajon opas, joka on tämän oppaan lopussa, ja määritä sen avulla, onko rinne liian jyrkkä turvalliseen käyttöön.
 - Älä koskaan yritä ajaa jyrkkää rinnettä tai leikata rinnettä, jonka kaltevuus on yli 15°.
 - Leikkaa ylös ja alas: älä leikkaa rinteiden poikki.
 - Vältä koloja, uria, möykkyjä, kiviä ja muita piilossa olevia esteitä. Epätasainen maasto voi johtaa ajoleikkurin kaatumiseen. Korkeassa nurmikossa saattaa olla piilossa esteitä.
 - Käytä hidasta nopeutta, jotta sinun ei tarvitse pysähtyä äkillisesti tai jottet kiihdytä vahingossa rinteessä.



- Älä leikkaa kosteaa nurmikkoa rinteessä. Renkaiden pito saattaa heikentyä, ja hallinta saatetaan menettää.
- Pidä suunnan ohjauskytkin aina eteenpäinasennossa, kun ajat rinteissä alaspäin. Älä siirrä vapaalle ja aja vapaalla rinnettä alaspäin, sillä vaarana on leikkurin hallinnan menetys.
- Älä käynnistä, pysähdy tai käänny rinteessä. Jos renkaat menettävät pitoa, kytke terät pois päältä ja aja hitaasti suoraan rinnettä alaspäin.
- Pidä kaikki liikkeet rinteessä hitaina ja asteittaisina. Älä tee äkillisiä nopeus- tai suunnanvaihdoksia, sillä muuten tuote voi kaatua.
- Ole erityisen tarkkana, kun käytät tuotetta lisävarusteiden kanssa. Ne voivat vaikuttaa tuotteen vakauteen. Älä käytä jyrkissä rinteissä, joiden kaltevuus on yli 15°.
- Älä yritä vakauttaa tuotetta asettamalla jalkasi maahan.
- Älä käytä tuotetta jyrkänteiden, oijen, hyvin jyrkkien rinteiden tai töyräiden lähellä. Tuote voi äkillisesti kaatua, jos pyörä ylittää reunan tai jos reuna sortuu: tällöin vaarana on kuolema tai vakava loukkaantuminen.
- Älä koskaan jätä käynnissä olevaa tuotetta valvomatta. Sammuta aina terät, kytke käsijarru päälle, pysäytä moottori ja irrota virta-avain ennen kuin astut alas.
- Varo liikennettä, kun leikkaat teiden lähellä. Leikkurilla ei saa ajaa maanteillä.

LISÄÄ LATURIN TURVALLISUUSVAROITUKSIA

- Laturi on tarkoitettu ainoastaan sisäkäyttöön.
- Ensiojareja ei saa ladata (ne eivät ole ladattavia).
- Tarkista virtajohto aina ennen käyttöä. Jos löytyy mitään merkkejä vaurioitumisesta, pätevän henkilön on vaihdettava se valtuutetussa huollossa, jotta vältytään vaaroilta.

- Lataa tuote hyvin ilmastoidussa sisätilassa. Älä lataa tuotetta suljetussa tilassa.
- Laturissa on maadoitusnastalla varustettu pistoke, ja se on liitettävä sopivaan pistorasiaan, joka on asennettu ja maadoitettu asianmukaisesti kaikkien paikallisten lakien ja määräysten mukaisesti. Älä käytä sovittimia äläkä muuntele toimitettua pistoketta. Jos pistokytöntä ei voida kytkeä oikein pistorasiaan, anna sähkömiehen asentaa sopiva pistorasia.

MUITA AKUN TURVALLISUUSVAROITUKSIA

⚠ VAROITUS

Jotta vältetään lyhytsulun aiheuttama tulipalon, loukkaantumisen tai tuotteen vahingoittumisen vaara, älä koskaan upota työkalua, vaihtoakkuja tai latauslaitetta nesteeseen ja huolehdi siitä, ettei mitään nesteitä pääse tunkeutumaan laitteiden tai akkujen sisään. Syövyttävät tai sähköä johtavat nesteet, kuten suolavesi, tietyt kemikaalit ja lalkaisuaaineet tai valkaisuaaineita sisältävät tuotteet voivat aiheuttaa lyhytsulun.

⚠ VAROITUS

Tulipalo-, räjähdys- tai palovammojen vaara. Älä pura akkupakkausta, altista sitä yli 60°C:n lämpötilalle tai polta sitä.

- Akkupakkaus sisältää happoa. Jos happo joutuu kosketuksiin ihon tai vaatteiden kanssa, huuhtele välittömästi vedellä 10 minuutin ajan. Jos nestettä pääsee silmiin, hakeudu lääkäriin.
- Akkuja ei saa ladata, jos niissä näkyy merkkejä vuotamisesta. Hävitä vuotavat akut oikein.

AKUN IRROTTAMINEN JA VALMISTELEMINEN KIIERRÄTYSTÄ VARTEN

Säästä luonnonvaroja kierrättämällä tai hävittämällä akku asianmukaisesti. Tuote sisältää lyijyakkuja. Paikalliset lait voivat estää lyijyakkujen hävittämisen kotitalousjätteen mukana. Pyydä paikallisilta

jäteviranomaisilta tietoja kierrätyksestä ja/tai hävittämisestä.

VAROITUS

Kun irrotat akun, peitä sen navat kestäväällä teipillä. Älä yritä hävittää tai purkaa akkua tai irrottaa siitä osia. Lyijyakit on kierrätettävä tai hävitettävä asianmukaisesti. Älä koskaan kosketa molempia napoja metalliesineillä ja/tai ruumiin osilla, sillä tämä aiheuttaisi oikosulun. Pidä poissa lasten ulottuvilta. Näiden varoitusten laiminlyönti voi aiheuttaa tulipalon ja/tai vakavan vamman.

KULJETUS JA VARASTOINTI

- Sammuta tuote, kytke käsijarru päälle ja irrota virta-avain. Varmista, että kaikki liikkuvat osat ovat pysähtyneet täysin. Anna laitteen jäähtyä kunnolla, ennen kuin siirät sen säilytykseen tai kuljetat sitä ajoneuvossa.
- Puhdista laitteesta kaikki vieraat materiaalit. Varastoi laite viileään, kuivaan ja hyvin tuuletettuun paikkaan, jossa lapset eivät pääse siihen käsiksi. Virta-avain on irrotettava ja sitä on säilytettävä erillisessä paikassa lasten ulottumattomissa.
- Pidä tuote erillään syövyttävistä aineista, kuten puutarhakemikaaleista ja jäänestosuolasta. Älä säilytä laitetta ulkona.
- Ole erityisen varovainen, kun lastaat tuotteen perävaunulle tai kuorma-autoon tai kun otat sen siitä. Paina jarrupoljinta tarpeen mukaan nopeuden hallinnoimiseksi. Tuote rullaa vapaasti, jos se on kaltevalla pinnalla ilman, että jarrupoljinta painetaan tai käsijarru kytketään päälle. Kun tuote lastataan tai poistetaan, älä ylitä suositeltua suurinta toimintakulmaa, joka on 15°.

VAROITUS

Ole erittäin varovainen nostaessasi ja kallistaessasi laitetta huoltoon, puhdistusta, varastointia tai kuljetusta varten. Terä on terävä. Pidä kaikki ruumiinosat poissa terän tieltä terän ollessa paljaana.

LIJYAKKUJEN KULJETUS

Kuljeta akkuja paikallisten ja kansallisten ehtojen ja säädösten mukaisesti.

Noudata kaikkia pakkaamista ja nimeämistä koskevia erikoissäädöksiä, kun kolmas osapuoli kuljettaa akkuja. Varmista, että mikään akku ei kosketa muita akkuja tai johtavaa materiaalia kuljetuksen aikana suojaamalla paljaat navat eristävillä, johtamattomilla korkeilla tai teipillä. Älä kuljeta akkuja, jotka ovat halkeilleet tai vuotavat. Kysy kuljetusliikkeeltä lisäneuvoja.

HINAUKSEN TURVALLISUUSVAROITUKSET

VAROITUS

Ole erityisen varovainen tuotetta hinatessasi. Terä on terävä. Pidä kaikki ruumiinosat poissa terän tieltä terän ollessa paljaana.

- Käytä maalaisjärkeä hinauksessa. Liian raskas kuorma rinteessä on vaarallinen. Renkaiden pito voi heikentyä, jolloin tuotteen hallinta saatetaan menettää.
- Noudata valmistajan antamia pyörien painoja tai vastapainoja koskevia suosituksia.
- Hinatun kokonaiskuorman ei tule ylittää hinattavan kuorman kokonaispainoa 226,8 kg (500 naulaa).
- Kiinnitä hinausvaruste ainoastaan hinauslevyyyn.
- Älä koskaan päästä lapsia tai muita hinatun laitteen päälle.
- Pysähtymismatka kasvaa nopeuden ja hinatun kuorman painon kasvaessa. Aja hitaasti ja varaa lisäaikaa ja -etäisyyttä pysähtymiseen.
- Älä tee jyrkkiä käännoksiä hinatessasi. Ole erityisen varovainen, kun käännyt tai kun työskentelet haastavassa maastossa. Peruuta varovasti.

HUOLTO

VAROITUS

Käytä ainoastaan alkuperäisiä valmistajan tuottamia varaosia, lisälaitteita ja lisävarusteita. Tämän noudattamatta jättäminen voi johtaa loukkaantumiseen ja huonoon tulokseen ja voi mitätöidä takuun.

VAROITUS

Huolto kaipaa suurta huolellisuutta ja hyvää työkalun tuntemusta: Se on annettava pätevän teknikon tehtäväksi. Teetä huollot ainoastaan valtuutetussa huoltoliikkeessä. Käytä huollossa ainoastaan alkuperäisiä valmistajan tuottamia varaosia.

- Säilytä tuotetta huolellisesti ja huolehdi siitä, että se on hyvässä työkunnossa. Pidä terät terävinä ja suojuukset paikoillaan ja hyvässä kunnossa. Vakavien henkilövahinkojen ja tuotteen vaurioitumisen estämiseksi ja parhaan suorituskyvyn varmistamiseksi kuluneet, taittuneet, halkeilleet tai epätasaisesti kuluneet terät on vaihdettava. Epätasainen terä aiheuttaa tärinää, joka voi vahingoittaa moottorin käyttöyksikköä tai johtaa loukkaantumisiin.
- Älä koskaan tee mitään säätöjä tai korjauksia moottorin käydessä ja terien liikkeessä.
- Irrota virta-avain tuotteesta ennen varastointia, huoltoa tai lisävarusteiden vaihtoa. Ennaltaehkäisevät turvatoimet vähentävät riskiä laitteen käynnistymisestä vahingossa.
- Sammuta tuote, kytke käsijarru päälle ja irrota virta-avain. Varmista, että kaikki liikkuvat osat ovat pysähtyneet täysin:
 - ennen kuin jätät tuotteen ilman vartiointia (myös nurmikon leikkuujätteiden hävittämistä varten).
 - Ennen tukoksen poistamista tai poistokourun puhdistusta
 - ennen tuotteen tarkastusta, puhdistusta ja huoltoa
 - ennen silppurin kannen poistoa
 - ennen ruohon poistokourun kannen avaamista
- vieraaseen esineeseen osumisen jälkeen
 - Tarkista laite huolella vaurioiden varalta.
 - Vaihda terä, jos se on mitenkään vioittunut.
 - Huolla mahdolliset vauriot ennen uudelleen käyttöä.
- Jos tuote alkaa täristä epänormaalisti (tarkista välittömästi)
 - tarkista laite, erityisesti terät, vaurioiden varalta
 - Vaihda terä, jos se on mitenkään vioittunut.
 - vaihda tai korjaa kaikki vioittuneet osat
 - tarkista, onko jokin osa löysällä, ja kiristä tarvittaessa
- Voit tehdä tässä käyttöoppaassa kuvattuja säätöjä ja korjauksia. Huollata ja korjautu ruohonleikkuri ainoastaan valtuutetussa huoltoliikkeessä.
- Ota yhteys valtuutettuun huoltoliikkeeseen vaurioituneiden tai lukukelvottomien merkintöjen vaihtamiseksi.
- Tuotteen ja laturin saa huoltaa ainoastaan valtuutettu korjaushenkilökunta. Siitä, että epäpätevä henkilö huoltaa laitetta, saattaa seurata käyttäjän loukkaantuminen ja laitteen vioittuminen.
- Varmista aina, että ruuvit ja mutterit ovat tiukasti kiinni, jotta tuote olisi aina turvallinen ja käyttövalmis.
- Terän pultit on kiristettävä suositeltuun kiristysmomenttiin.
- Tarkista jarrut ennen kutakin käyttökertaa ja monta kertaa käytön aikana. Säädä ja huolla tarpeen mukaan.
- Sivupoistokouru on jousikuormitettu suojuksella, joka peittää leikkuulaitteen sivupoistoaukon ja kohdistaa ruohojätteet ja jäämät pois päin käyttäjästä. Varmista aina, että moottori on pois päältä ja että terät eivät enää liiku ennen sivupoistokourun tarkastusta, liikuttamista, puhdistusta tai huoltoa.
- Vaihda kuluneet ja vahingoittuneet osat turvallisuussyistä.
- Vaihda kuluneet tai vioittuneet terät ja pultit sarjoina säilyttääksesi tasapainon.

- Varo laitetta säätäessäsi, että sormet eivät jää liikkuvien terien ja laitteen kiinteiden osien väliin.
- Leikkuuterät jatkavat pyörimistään muutaman sekunnin ajan moottorin sammutuksen jälkeen. Kun huollat terää, pidä mielessä, että vaikka pistoke on irrotettu pistorasiasta, terät voivat yhä pyöriä. Älä aseta mitään kehon osaa terän alueelle, kunnes olet varma, että terät ovat täysin pysähdyksissä.
- Tuotteen terä on terävä. Ole varovainen ja käytä paksuja käsineitä asettaessasi pulttia paikoilleen ja asentaessasi tai puhdistaessasi sitä ja tarkistaessasi sen kireyttä.
- Puhdista tuote aina käytön jälkeen pehmeällä ja kuivalla liinalla. Valtuutetun huoltopisteen on korjattava tai vaihdettava vioittuneet osat asianmukaisesti.
- Pidä tuote puhtaana ruohosta, lehdistä ja muista jäämistä.
- Älä puhdista tuotetta vedellä. Käytä ilmaa liikuttavaa laitetta, kuten kompressoria tai lehtipuhallinta, tuotteen puhdistuksessa.

TUKOKSEN POISTAMINEN

- Sammuta tuote, kytkä käsijarru päälle ja irrota virta-avain. Aseta leikkuulaite enimmäiskorkeudelle. Varmista, että kaikki liikkuvat osat ovat pysähtyneet täysin.
- Käytä aina paksuja suojakäsineitä etsiessäsi ja poistaessasi tukosta. Terät ovat terävät ja tukos itsessään voi olla terävä esine.
- Tarkasta sivun poistokouru ja poista tukokset varovasti.
- Jos näet tukoksia, poista ne varovasti. Muista, että terä saattaa liikkua puhdistuksen aikana.

KÄYTTÖÖN LIITTYVÄT RISKIT

Vaikka tuotetta käytettäisiin ohjeiden mukaisesti, ei ole mahdollista täysin eliminoida tiettyjä käyttöön liittyviä riskitekijöitä. Käytössä voi aiheutua seuraavia vaaroja, ja käyttäjän tulee kiinnittää erityistä huomiota niiden välttämiseen:

- Tärinän aiheuttama vamma

– Käytä aina työhön oikeaa työkalua. Käytä nimettyjä kahvoja ja rajoita työaikaa sekä altistumista.

- Melun aiheuttama vamma
 - Käytä suojalaseja ja rajoita altistumista.
- leikkuuterään koskettamisesta aiheutuva vamma
 - Pidä suojaamattomat kehonosat aina kaukana teristä.
- poissinkoavien esineiden aiheuttama vahinko
 - Käytä aina riittävän hyviä suojalaseja.

RISKIEN VÄHENTÄMINEN

Raporttien mukaan käsikäyttöisten laitteiden tärinä voi joidenkin kohdalla myötävaikuttaa Raynaud's Syndromen (Raynaudin oireen) ilmenemiseen. Oireita ovat pistely, turtuus ja sormien kalpeneminen, yleensä kylmässä ilmassa. Perinnölliset tekijät, kylmyys ja kosteus, ruokavalio, tupakointi sekä työtavat voivat kaikki myötävaikuttaa näiden oireiden ilmenemiseen. Käyttäjää voi ehkäistä tärinän aiheuttamia vaikutuksia seuraavasti:

- Pidä itsesi lämpimänä kylmällä säällä. Käytä tuotteen käytön aikana käsineitä, jotta kätesi ja ranteesi pysyvät lämpöisinä. Raporttien mukaan kylmä ilma on tärkeä tekijä Raynaud's Syndromen (Raunaudin oireiden) ilmenemisessä.
- Harjoita kunkin käyttöjakson jälkeen liikuntaa, jotta verenkierto lisääntyisi.
- Pidä työn aikana säännöllisesti taukoja. Rajoita päivittäisen tärinän määrää.

Jos mitään yllä mainittuja oireita ilmenee, lopeta heti laitteen käyttö ja kerro oireista lääkärille.

⚠ VAROITUS

Laitteen pitkittynyt käyttö voi aiheuttaa tai vaikeuttaa vammoja. Kun käytät mitä tahansa laitetta pitkiä aikoja, muista pitää säännöllisiä taukoja.

LAATIKON SISÄLTÖ

- Päältäajettava ruohonleikkuri x1
- Istuinkoonpano x1
- Työkalusarja ja lisävarustelaatikko
 - Kiintoavaimet x2
 - Kuusiokoloavain x1
 - Torx-avain x1
 - Käynnistysavain x2
 - Silppurin kansi x1
 - Käyttöohjeet x 1
 - Pika-aloitusopas x1
 - Koonpano-opas x1
- Ohjauspylvään asennuskotelo
- Laturi x 1

HUOMAUTUS: Katso täydellistä luetteloa ohjauspylvään osista Irto-osien luettelo -osiosta.

TUOTTEESSA OLEVAT SYMBOLIT



Varoitus



Kaikki ohjeet on luettava ja ymmärrettävä ennen tuotteen käyttöä. Noudata varoituksia ja turvallisuusohjeita.



Pidä kaikki sivulliset vähintään 30 metrin päässä toiminta-alueelta –erityisesti lapset ja lemmikit.



Älä koskaan kuljeta lapsia tai aikuisia edes silloin kun terät ovat kytkettyinä pois päältä.



Katso aina alas ja taaksesi ennen kuin peruutat ja peruutuksen aikana ja varmista, että alueella ei ole lapsia, muita sivullisia tai lemmikkieläimiä.



Älä käytä ruohonleikkuria rinteessä, jonka kaltevuus on yli 15°. Leikkaa rinteitä ylös ja alas: älä poikittain.



Taattu äänenteho on 100 dB (A).



Pidä kädet ja jalat poissa terästä ja leikkuualueelta. Älä astu leikkulaitteen tai sivupoistokourun päälle.



Pidä kaikki sivulliset vähintään 30 metrin päässä toiminta-alueelta –erityisesti lapset ja lemmikit.



Varo sinkoutuneita ja muita lentäviä esineitä.

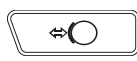


Älä koskaan kuljeta lapsia tai aikuisia edes silloin kun terät ovat kytkettyinä pois päältä.

Katso aina alas ja taaksesi ennen kuin peruutat ja peruutuksen aikana ja varmista, että alueella ei ole lapsia, muita sivullisia tai lemmikkieläimiä.



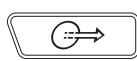
Pidä kädet ja jalat poissa terästä ja leikkuualueelta.



Jarru
Paina jarrupoljinta tuotteen pysäyttämiseksi.



Käsijarru



Kaasu
Paina kaasupoljinta ajaaksesi eteen- tai taaksepäin.



Latausportti



Tämä työkalu on sen EU-maan kaikkien sääntömääräisten standardien mukainen, josta se on ostettu.



EurAsian-vaatimustenmukaisuusmerkki



Tuotetta voidaan käyttää peruuttamalla terät kytkettyinä päälle, kun RMO-painiketta on painettu ja punaisen painikkeen valo palaa. Katso aina alas ja taaksepäin ennen kuin peruutat. Taaksepäin leikkaamista ei suositella.



Nosta terän kytkentäpainike ylös päälle kytkemiseksi. Paina terän kytkentäpainike alas pois päältä kytkemiseksi.



Vakionopeussäätimen avulla tuote voi edetä tasaisella nopeudella ilman, että käyttäjän pitäisi painaa koko ajan kaasupoljinta. Tutustu Vakionopeussäätimen asetus-osioon.



Käytöstä poistettavia sähkölaitteita ei pidä hävittää talousjätteen mukana. Ne on mahdollisuuksien mukaan pantava kiertoon. Kierrätysohjeita antavat kunnan viranomaiset ja vähittäiskauppiat.



Ukrainalainen säädöstenmukaisuusmerkintä



Vain sisäkäyttöön



Hidas sulake



Käyttäjän on luettava ja ymmärrettävä käyttöohjeet ennen tämän laitteen käyttöä, jotta onnettomuusriski pienenee.



Korkeapainesuihkuvaara



Vähennä loukkaantumisen ja rikkoutumisen riskiä olemalla koskettamatta mitään kuumaa pintaa.



Jos laitetta ei käytetä kuivassa ympäristössä ja jos turvasäätöjä ei noudateta, saatetaan altistua sähköiskulle.



Sähköiskun vaara.



Irrota laturi aina virransyötöstä ennen akkuun liittämistä tai siitä irrottamista.



Älä saata työkalua sateelle alttiiksi äläkä käytä sitä kosteissa paikoissa.



Älä altista konetta sateelle tai kosteudelle.



Pidä poissa syttymislähteiden, kipinöiden ja liekkien luota. Tuuletusaukkoja ei saa peittää, ja käytön aikana täytyy varmistaa riittävä tuuletus.



Pidä poissa lasten ja kouluttamattomien henkilöiden ulottuvilta.



Käytä silmäsuojaimia.



Akkupakkaus sisältää happoa. Jos happo joutuu kosketuksiin ihon tai vaatteiden kanssa, huuhtelee välittömästi vedellä 10 minuutin ajan.



Jos nestettä joutuu silmiin, huuhtelee niitä puhtaalla vedellä vähintään 10 minuuttia ja hakeudu sitten lääkärin hoidettavaksi.



Ei saa kaataa maahan. Akku on kierrätettävä.



Tuote sisältää lyijyakkuja. Paikalliset lait voivat estää lyijyakkujen hävittämisen kotitalousjätteen mukana. Pyydä paikallisilta jäteviranomaisilta tietoja kierrätyksestä ja/tai hävittämisestä.





Varmista, että sivupoistokouru on kokonaan kiinni ennen tuotteen käyttöä.



Älä käytä tuotetta, jos sivupoistokouru on auki.



Leikkurin ajaminen



Laita virta-avain paikoilleen ja käännä se ON-asentoon.



Aseta suunnan vaihtokytkin eteenpäinajon asentoon (F).



Paina jarrupoljinta käsijarrun pois päältä kytkemiseksi.



Vedä terän kytkentänappi ylös terien päälle laittamiseksi.



Paina kaasupoljinta ruohon leikkaamiseksi.



Ruohonleikkuu peruuttamalla



Paina jarrupoljinta ja saata leikkuri kokonaan pysähdyksiin.



Paina terän kytkentänappi alas terien pois päältä kytkemiseksi.



Paina peruutustilapainiketta.



Vedä terän kytkentänappi ylös terien päälle laittamiseksi.



Aseta suunnan ohjauskytkin peruutusasentoon (R).



Paina kaasupoljinta ja peruuta tarvittaessa.



Leikkurin pysäköinti



Pysäytä leikkuri tasaiselle ja vakaalle pinnalle. Älä pysäytä tuotetta rinteeseen.



Paina jarrupoljinta ja kytke käsijarru päälle.



Aseta suunnan ohjauskytkin vapaalle (N).



Paina terän kytkentänappi alas terien pois päältä kytkemiseksi.



Käännä avain OFF-asentoon.



Leikkurin pysäyttäminen



Paina terän kytkentänappi alas terien pois päältä kytkemiseksi.



Paina jarrupoljinta.



Kytke käsijarru päälle.



Käännä avain OFF-asentoon.



Poista virta-avain.

TÄMÄN KÄSIKIRJAN SYMBOLIT



Osat ja lisävarusteet on hankittava erikseen



Huom



Varoitus

Seuraavien merkkien tarkoitus on selittää, miten vakava riski tuotteeseen liittyy.

VAARA

Ilmaisee välitöntä vaaratilannetta, joka ellei sitä vältetä, johtaa kuolemaan tai vakavaan loukkaantumiseen.

VAROITUS

Ilmaisee potentiaalisen vaaratilanteen, joka ellei sitä vältetä, johtaa kuolemaan tai vakavaan loukkaantumiseen.

HUOMAUTUS

Ilmaisee potentiaalisen vaaratilanteen, joka ellei sitä vältetä, saattaa johtaa pienempään tai keskivaikeaan loukkaantumiseen.

HUOMAUTUS

(Ilman turvallisuusvaroitussymbolia) Ilmoittaa tilanteesta, jossa omaisuutta saattaa vaurioitua.

KOKOONPANO

⚠ VAROITUS

Loukkaantumisten vaaran vähentämiseksi lue ja sisäistä tämän käyttöoppaan kokoonpanoa koskeva osio ennen tuotteen kokoamiseen ryhtymistä. Säilytä tämä käsikirja tulevaa käyttöä varten.

EN
FR
DE
DA
SV
FI
NO

KOKOONPANON TURVALLISUUSÄÄNNÖT

⚠ VAROITUS

Noudata ehdottomasti momenttiavaimen kaikkia kiristystietoja. Muutoin seurauksena voi olla vakava loukkaantuminen.

Kaikki tässä oppaassa olevat tiedot, kuvat, valokuvat ja tekniset tiedot perustuvat julkaisuhetkellä käytettävissä oleviin uusimpiin tuotetietoihin. Parannusten tai muiden muutosten vuoksi tuote saattaa poiketa tässä oppaassa kuvatusta. Pidätämme oikeuden muuttaa tuotetta milloin tahansa, ilman ennakoilmoitusta ja ilman velvollisuutta tehdä samat tai samantapaiset muutokset mihin tahansa aiemmin valmistettuun tai myytyyn tuotteeseen.

- Kaikilla tätä tuotetta kokoavilla henkilöillä tulee olla asianmukainen koulutus ja kokemus. Lue tämä opas huolellisesti ja noudata kaikkia oppaassa olevia kokoonpanomenetelmiä.
- Kaikki kokoonpanot on tehtävä siten, että tuote on tasaisella pinnalla.

TARVITTAVAT TYÖKALUT

Kokoonpanossa tarvitaan seuraavia työkaluja:

- Momenttiavain
- Rengaspainemittari
- Hylsyavain
 - 12 mm:n hylsy
 - 13 mm:n hylsy
 - 6 mm:n Käynnistysavain

PAKKAUKSEN PURKAMINEN

Katso kuvaa 1.

- Irrota pultit, jotka kiinnittävät kulma- ja sivukannattimet rungon pohjaan ja nosta kannattimet sitten irrottaaksesi ne.
- Leikkaa nailonvanteet, jotka kiinnittävät etu- ja takapyöräkselit runkoon.

- Irrota kotelot, jotka sisältävät irto-osat, kokoonpano-osat ja asiakirjat.
- Irrota ja aseta sivuun kaikki käsillä olevat pakkaus- ja päällystemateriaalit yksiköstä ja osista. Älä hävitä pakkausmateriaaleja, ennen kuin olet tarkastanut tuotteen ja käyttänyt sitä tyydyttävästi.

⚠ VAROITUS

Jos jokin Irto-osien luettelo -osiossa mainituista osista oli jo asennettuna tuotteeseen, kun tuote purettiin pakkauksesta, tarkista, että osa on koottu oikeaoppisesti, kiristetty kunnolla ja riittävän voimakkaasti (jos sovellettavissa) ennen kuin siirryt asennuksen seuraavaan vaiheeseen. Jos laite kootaan virheellisesti, sen käyttö voi johtaa vakaviin vammoihin.

- Tarkista tuote huolella ja varmista, että se ei ole vioittunut kuljetuksen aikana.
- Jos jokin osa on vioittunut tai puuttuu, soita valtuutettuun palvelukeskukseen ja pyydä apua.

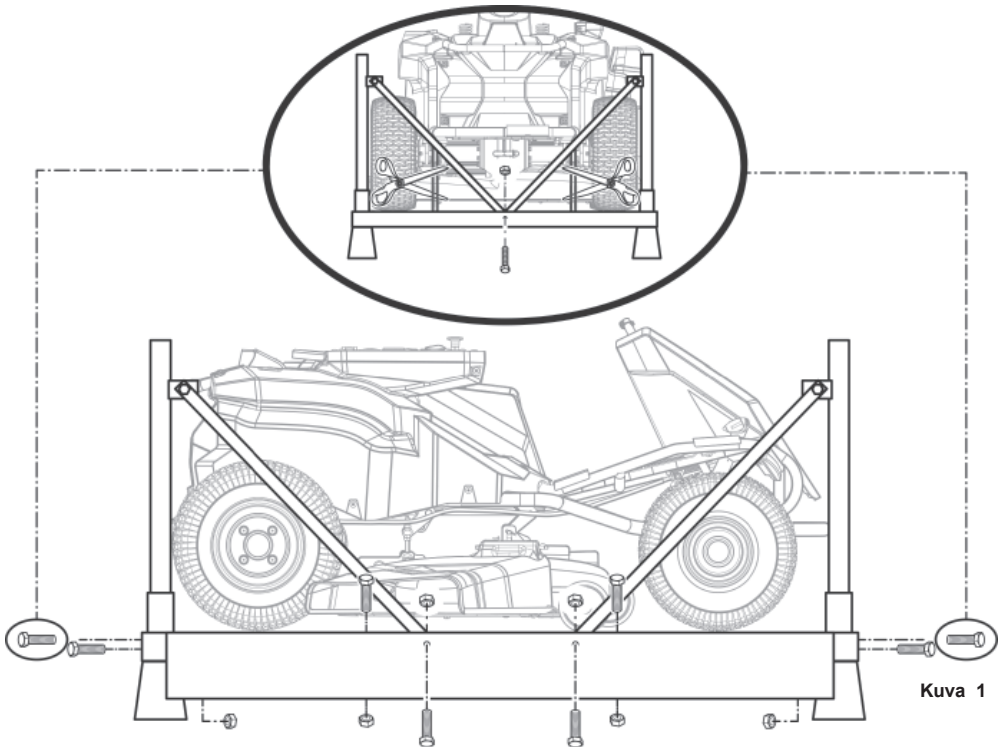
HUOMAUTUS: Tuote tulee koota, kun se on rungon alaosassa. Kun kokoonpano on tehty, aseta leikkulaite maksimikorkeudelle ja aseta sitten ramppi rungon alaosan viereen ja aja tuote hitaasti ja varoen pois rungolta.

⚠ VAROITUS

Ole varovainen, kun ajat tuotteen pois rungolta ja paina jarrupoljinta tarpeen mukaan nopeuden hallitsemiseksi. Tuote ulla vapaasti, jos sitä liikutetaan kaltevalla pinnalla ilman, että jarrupoljinta painetaan tai käsijarru kytketään päälle. Jos näitä ohjeita ei noudateta, seurauksena voi olla hallinnan menetys ja kuolema, vakava loukkaantuminen tai omaisuusvahinko.

VAROITUS

Jos käytävissä ei ole ramppia, aja tuote hitaasti ja varoen pois rungolta peruuttamalla ja katso samalla alas ja taaksepäin. Jos tuote ajetaan pois rungosta eteenpäinsuunnassa ilman ramppia, leikkuulaite voi vaurioitua.



Kuva 1

IRTO-OSIEN LUETTELO

1. Istuinkokoonpano x1
2. Ohjauspylvään kokoonpano
Yläohjausakseli x1
Pultit x 2
Ohjauspylväs x1
Ohjauspylvään kansi x1
Laippa-aluslaatat x2
Jousi x 1
Ohjauspyörän napa x1
Ohjauspyörä x1
Litteä välilevy x 1
Laippamutteri x1
Ohjauspyörän kansi x1

3. Laturi x 1
4. Puskuri x 1
5. Käynnistysavain x3

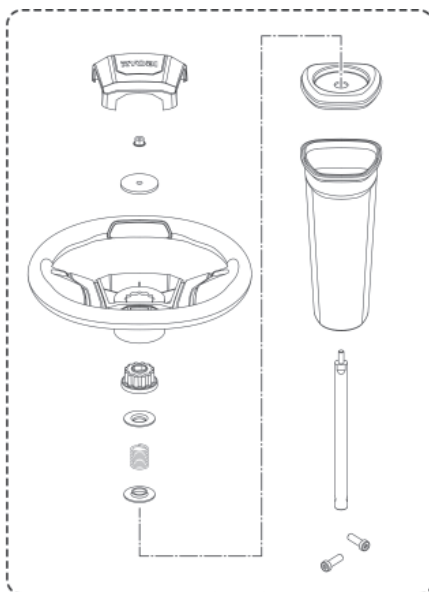
VAROITUS

Jos on vaurioituneita tai puuttuvia osia, älä kokoa tuotetta, kunnes osat on vaihdettu uusiin ja alkuperäisiin valmistajan osiin. Jos tuote kootaan vaurioituneilla tai virheellisillä osilla tai jos osia puuttuu, seurauksena voi olla vakavia loukkaantumisia.

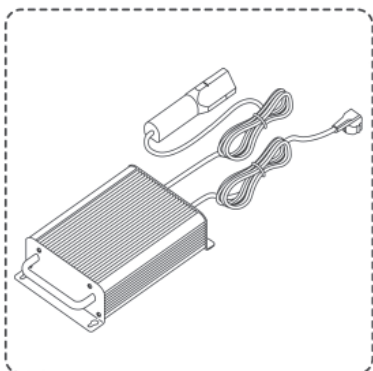
1.



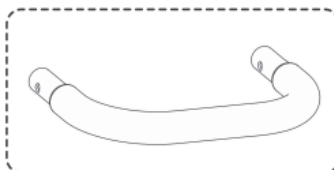
2.



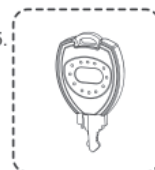
3.



4.



5.



⚠ VAROITUS

Noudata ehdottomasti momenttiavaimen kaikkia kiristystietoja. Muutoin seurauksena voi olla vakava loukkaantuminen.

⚠ VAROITUS

Älä yritä tehdä muutoksia työkaluun tai liittää siihen lisävarusteita, joita ei suositella käytettäväksi tämän tuotteen kanssa. Jokainen sellainen muutos tai korjaus on väärinkäyttöä ja voi johtaa vaarallisiin, vakaviin loukkaantumisiin johtaviin tilanteisiin.

⚠ VAROITUS

Ennen kuin laitteeseen asennetaan osia, virta-avain on aina irrotettava, jotta vältetään vakavia henkilövahinkoja mahdollisesti aiheuttavalta vahingossa tapahtuvalta käynnistymiseltä.

AKUN LIITTÄMINEN

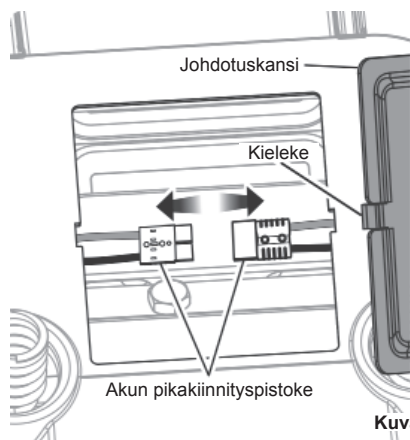
Katso kuvaa 2.

Kun tuote lähetetään eteenpäin tehtaalta, sen akut ovat irtikytkettyinä.

Liittämisen:

1. Paina johdotuskannen kielekkeitä ja nosta kansi irrottaaksesi sen.
2. Liitä laturin pikaliitospistokkeen kaksi päätä yhteen.

HUOMAUTUS: Asenna istuin seuraavassa osiossa kerrotulla tavalla ennen kuin asennat johdotuskannen uudelleen.

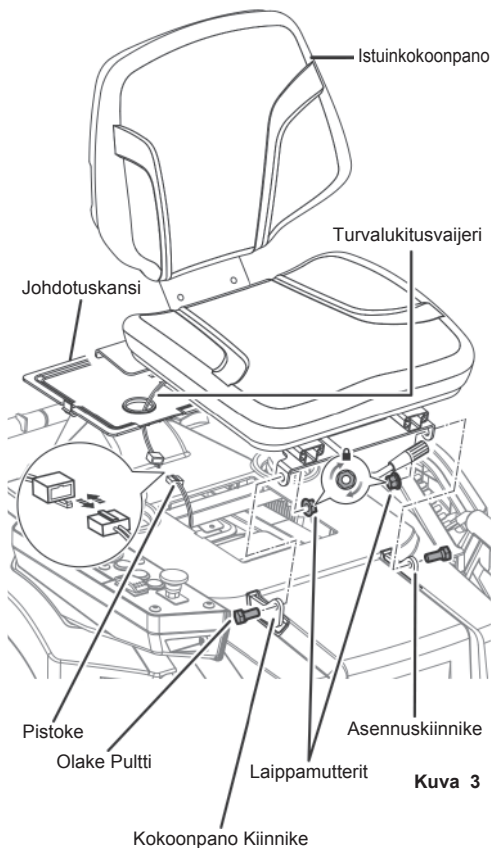


Kuva 2

ISTUIMEN ASENNUS

Katso kuvaa 3.

1. Irrota pultit ja laippamutterit istuimen asennuskannattimista.
2. Aseta istuinkokonaisuus kannatintukien päälle ja kohdista aukot näytetyllä tavalla.
3. Asenna uudelleen ja kiristä pultit ja laippamutterit tiukasti.
4. Pujota istuimen turvalukitusvaijeri johdotuskannen aukosta ja liitä se sitten leikkurin pistokkeeseen.
5. Asenna uudelleen johdotuskansi ja varmista, että se on tiukasti paikoillaan.

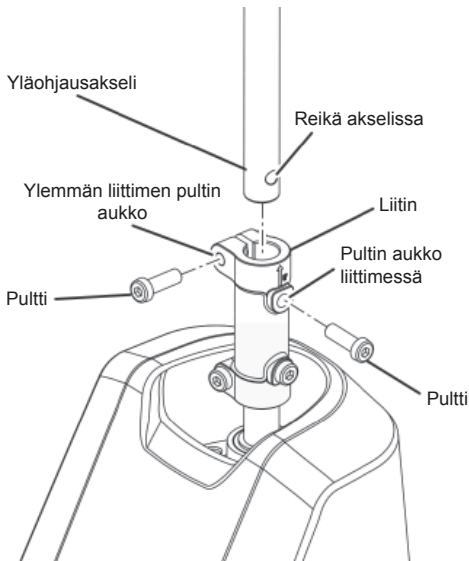


Kuva 3

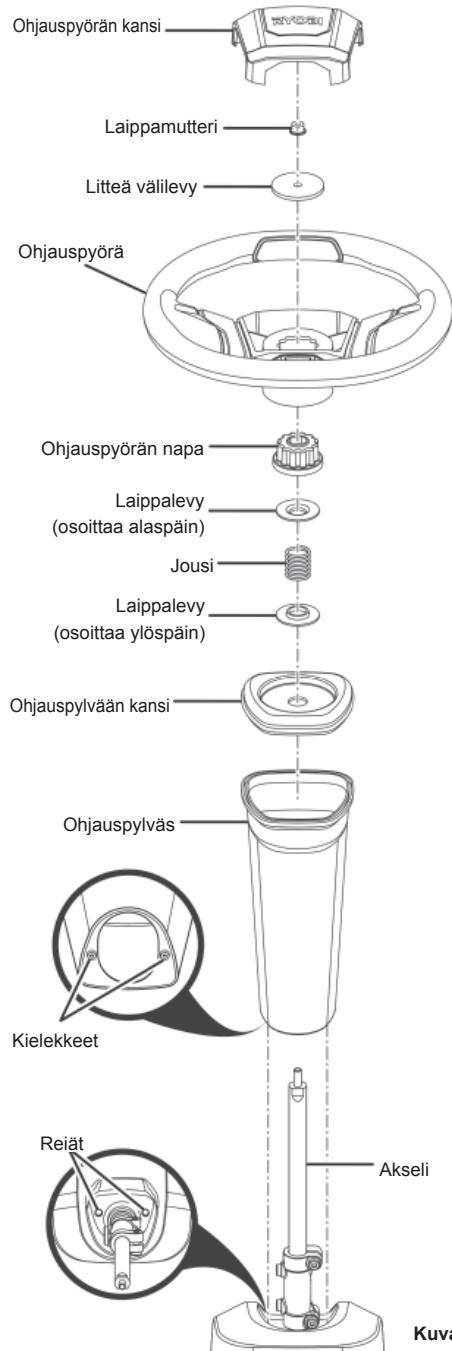
ASENNA OHJAUSPYLVÄS

Katso kuvaa 4 - 5.

1. Asenna yläohjausakseli liittimeen ja käännä sitä, kunnes akselin aukko kohdistuu liittimen pultin aukkoon.
2. Asenna kaksi pulttia ja kiristä ne tiukasti 20 Nm:n vääntömomenttiin.
3. Laita ohjauspylväs akselille. Tarkista, että ohjauspylvään alaosan kielekkeet asettuvat aukon reikiin ja valmista, että ohjauspylväs on tiukasti paikoillaan.
4. Asenna ohjauspylvään kansi siten, että se on tiukasti paikoillaan. Yläohjausakseli tulee ulos kannen aukosta.
5. Asenna laippa-aluslaatta (laippa ylöspäin), jousi, toinen laippa-aluslaatta (laippa alaspäin) ja ohjauspyörän napa.
6. Varmista, että leikkurin pyörät osoittavat suoraan eteenpäin ja asenna ohjauspyörä ohjausnavalle.
7. Asenna litteä aluslaatta ja laippamutteri. Kiristä mutteri tiukasti 25 Nm:n vääntömomenttiin.
8. Asenna ohjauspyörän kansi.



Kuva 4

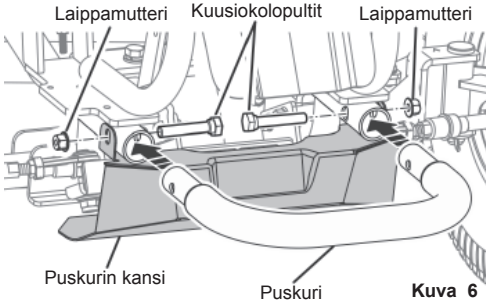


Kuva 5

PUSKURIN ASENNUS

Katso kuvaa 6.

1. Irrota laippapultit ja kuusiokolopultit, jotka kiinnittävät puskurin kannen leikkurin runkoon.
2. Asenna puskuri aukkoihin leikkurin rungon eteen näytetyllä tavalla.
3. Kohdista puskurin, leikkurin rungon ja puskurin kannen aukot. Asenna uudelleen ja kiristä olkakuusiopultit ja laippamutterit tiukasti.



Kuva 6

TUOTTEEN LATAUS

Katso kuvaa 7 - 8.

Leikkurin akkuja on ladattava 24 tunnin ajan ennen ensimmäistä käyttöä. Voit tarkistaa akun tasonilmaisimesta, että leikkurin akut on ladattu kokonaan.

Parhaiden tulosten saamiseksi:

- Älä lataa erittäin kuumassa tai kylmässä. Akut latautuvat parhaiten lämpötiloissa välillä 0–40° C.
- Älä koskaan lataa akkua, jos se on jäänytynyt.
- Asenna tai sijoita laturi alueelle, jossa on riittävä ilmanvaihto. Älä peitä jäähdytysripoja.
- Varmista, että sekä laturin että leikkurin liitännät ovat puhtaita ja ettei niissä ole likaa tai jäämiä.

Lataaminen:

1. Laita laturin pistoke leikkurin latausporttiin ja varmista, että se on liitetty kunnolla.
2. Liitä laturi syöttöpistorasiaan, jossa on normaali kotitalouksissa käytetty virta 220–240 VAC, 50/60 Hz. Akkujen latauksen tulisi alkaa heti automaattisesti.

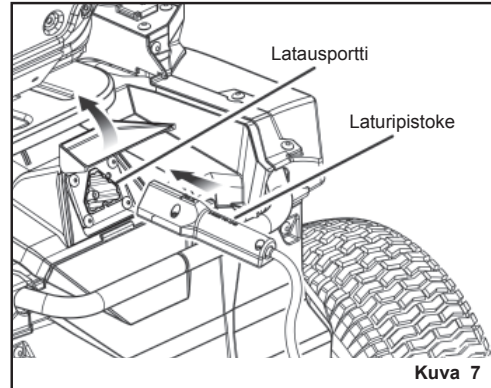
3. Kun olet valmis leikkaamaan, irrota laturi pistorasiasta ja irrota laturi sitten leikkurista.

HUOMAUTUS: Laturissa on pistoke, jossa on maadoitusnasta, ja se on liitettävä sopivaan pistorasiaan, joka on asennettu ja maadoitettu asianmukaisesti kaikkien paikallisten lakien ja määräysten mukaisesti. Älä käytä adaptoreita äläkä muuntele toimitettua pistoketta. Jos pistokytintä ei voida kytkeä oikein pistorasiaan, anna sähkömiehen asentaa sopiva pistorasia.

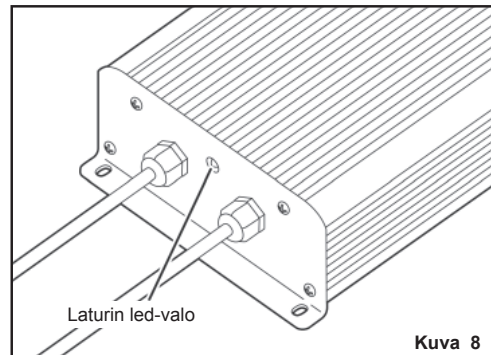
Virtaan kytkettyinä laturin LED-valo syttyy osoittaen näin laturin tilan. Katso seuraavaa kaaviota saadaksesi tietoa LED-valojen näytön sisällöstä.

VAROITUS

Käännä virtakatkaisin aina OFF-asentoon ja irrota virta-avain, kun lataat tuotetta ja kun tuote ei ole käytössä.



Kuva 7



Kuva 8

VAROITUS

Jätä laturi liitetyksi leikkuriin, kun et käytä sitä. Jos leikkurin laturia ei voi jättää liitetyksi, lataa akut kokonaan vähintään kerran kuukaudessa.

VAROITUS

Lataa tuote sisällä hyvin ilmastoidussa tilassa. Älä lataa tuotetta suljetussa tilassa.

LATURIN LED-VALO

Laturin tunnistetila	Liitettynä		Merkkivalo		Tarkoitus
	Virtälähde	Ruohonleikkuri	Laturi	Ruohonleikkuri	
Valmiustila	Kyllä	Ei	Palaa	Sammunut	Latauslaite valmis lataamaan akun.
Lataus	Kyllä	Kyllä	Palaa	Hidas vilkkuminen	—
Laturiin liittyvä virhe	Kyllä	Kyllä	Sammunut	Nopea vilkkuminen	Akun lämpötila, akun kapasiteetti tai laturi voivat olla vioittuneita.
	<ul style="list-style-type: none"> • Jos LED-tila osoittaa virhettä, odota n. 15 minuuttia, jotta akku ja laturi ehtivät jäähtyä. • Jos LED-tila toistuu, nollaa laturi tai aseta akku takaisin paikalleen. • Jos toinen laturi lataa normaalisti, laturi saattaa olla viallinen. • Jos toinen akku latautuu normaalisti, akun kapasiteetissa saattaa olla vikaa. 				
Täyteen latautunut	Kyllä	Kyllä	Palaa	Palaa	Pikalataus on päättynyt, latauslaite jatkaa lataamista.
Lukitus	Ei	Kyllä	Sammunut	Nopea vilkkuminen	Pistoke on edelleen kytkettynä ruohonleikkuriin. Ruohonleikkuri ei käynnisty.
Vika	Kyllä	Kyllä	Palaa	Nopea vilkkuminen	Akkupakkaus voi olla viallinen.
	<ul style="list-style-type: none"> • Jos LED-tila osoittaa vikaa, nollaa laturi tai aseta akku takaisin paikalleen. • Jos merkkivalot osoittavat edelleenkin vikaa, kokeile latauslaitetta toisella akulla. • Jos toinen akku voidaan ladata normaalisti, hävitä viallinen akku (katso kohdasta huolto). 				

LOPPUTARKISTUKSET

RENGASILMANPAINEN TARKISTUS

Tarkista kaikkien renkaiden ilmanpaine ennen käyttöä. Virheellinen ilmanpaine vaikuttaa käsittelyyn, ohjausvasteeseen, pitoon, renkaan käyttöikään, leikkuujäljen tasaisuuteen ja käyttäjän mukavuuteen. Varmista, että renkaat on täytetty suositeltuun täyttöpaineeseen (1,6 baaria).

HUOMAUTUS: Mittaa tai säädä ilmanpainetta vain kun renkaat ovat kylmiä.

VAROITUS

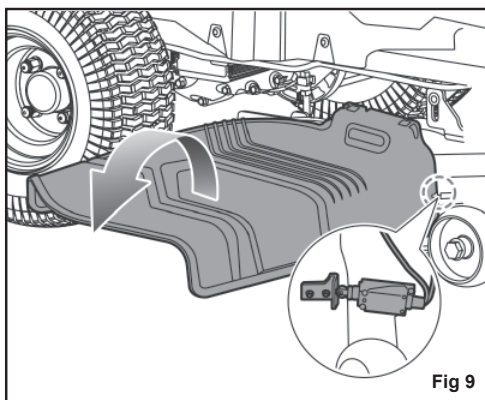
Tarkista rengaspaine huolellisesti täytön aikana. Liiallinen ilma renkaassa voi johtaa renkaan räjähtämiseen, jolloin seurauksena on vakavia loukkaantumisia.

SIVUPOISTOKOURUN TURVALUKITUSJÄRJESTELMÄN TARKISTUS

Katso kuvaa 9.

Tarkista ennen tuotteen käyttöä, että sivupoistokouru on suljettu kunnolla. Sivupoistokourussa on lukitusjärjestelmä, joka pysäyttää terät, jos sivupoistokouru avataan terien pyöriessä.

Keskeytä tuotteen käyttö ja pyydä valtuutettua huoltoliikettä huoltamaan sen, jos terät eivät pysähdy, kun sivupoistokouru nousee käytön aikana esteen vuoksi.



KÄYTTÄJÄN LÄSNÄOLON TURVALUKITUSJÄRJESTELMÄN TESTAUS

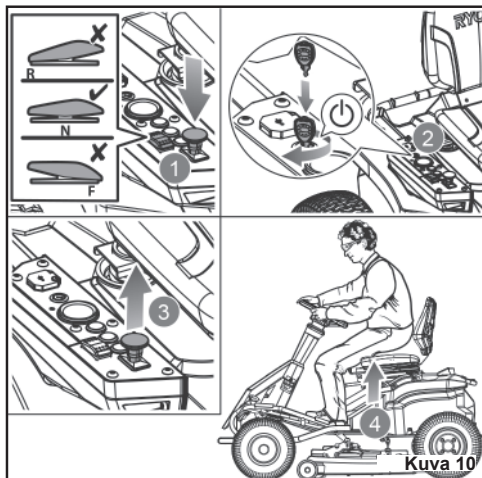
Katso kuvaa 10.

Turvalukitusjärjestelmä pysäyttää terät, jos käyttäjä jättää leikkurin terien pyöriessä. Testaa järjestelmä ennen kutakin käyttökertaa tarkistaaksesi, että se toimii kunnolla.

1. Varmista, että suunnan ohjauskytkin on vapaassa (N) asennossa ja että terän kytkentänappi on alhaalla.
2. Laita virta-avain paikoilleen ja käännä se ON-asentoon.
3. Vedä terän kytkentänappi ylös terien päälle laittamiseksi.
4. Nouse hetkeksi, mutta älä laskeudu leikkurin kydistä.

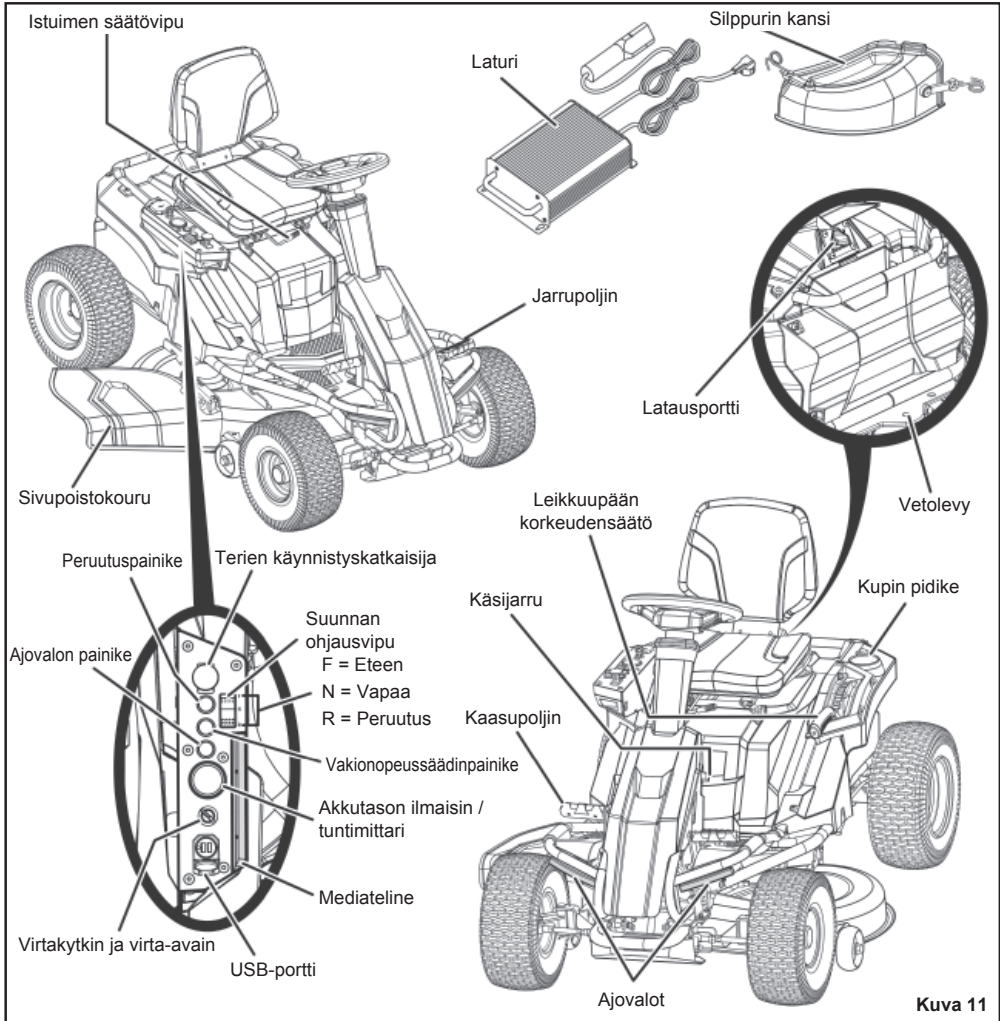
Terien tulisi pysähtyä 5 sekunnin kuluessa. Jos terät eivät pysähdy, ota yhteyttä valtuutettuun huoltoliikkeeseen.

Älä käytä tuotetta, kunnes turvalukitusjärjestelmä on korjattu.



KUVAUS

EN
FR
DE
DA
SV
FI
NO



Kuva 11

TUTUSTU TUOTTEeseen

Katso kuvaa 11.

Lue ja sisäistä tuotteen ja tämän oppaan tiedot turvallisuuden vuoksi. Tutustu kaikkiin toimintaominaisuuksiin ja turvallisuussääntöihin ennen tuotteen käyttöä.

KAASUPOLJIN

Kaasupoljin ohjaa tuotteen nopeutta.

AKKUTASON ILMAISIN / TUNTIMITTARI

Akkutason ilmaisin näyttää jäljellä olevan akkulatauksen. Tuntimittari kertoo tuotteen käyttötuntien kokonaismäärän (avain päällä) huoltoa varten.

TERIEN KÄYNNISTYSKATKAISIJA

Terien käynnistyskatkaisija aktivoi tai pysäyttää leikkuuterät. Vedä Terien käynnistyskatkaisija ylös leikkuuterien päälle laittamiseksi. Paina Terien käynnistyskatkaisija alas leikkuuterien

pysäyttämiseksi.

HUOMAUTUS: Peruutussuuntaan leikkaamista varten myös peruutustilapainike on aktivoitava.

JARRUPOLJIN

Jarrupoljin hidastaa tuotetta tai pysäyttää sen.

LATURI

Laturi lataa leikkurin akut. Sen voi ripustaa avaimen rei'istä, mikä tekee säilytyksestä kätevää ja säästää tilaa. Kun se ripustetaan avaimen rei'istä, käytä vähintään yhtä lisäruuvia asennuslaipan aukossa, jotta se pysyy varmasti paikallaan. Asenna aina siten, että laturin tilan merkkivalo näkyy ladattaessa.

VAKIONOPEUSSÄÄDINPAINIKE

Vakionopeussäädinpainikkeen ansiota leikkuri voi jatkaa ajoa eteenpäin asetetun nopeuden mukaisesti ilman, että kaasupoljinta pitäisi painaa.

LEIKKUUPÄÄN KORKEUDENSÄÄTÖ

Laitteen korkeuden säätövipu nostaa tai laskee leikkuulaitetta.

SUUNNAN OHJAUSVIPU

Suunnan ohjauskytkin ohjaa leikkurin suunnan liikettä. Käytettävissä on seuraavat asetukset: eteen (F), vapaa (N) ja peruutus (R).

AJOVALON PAINIKE

Ajovalopainike laittaa ajovalot ON (päälle) ja OFF (pois päältä).

MEDIATELINE

Mediatelineet tarjoavat kätevän paikan matkapuhelimen tai MP3-soittimen säilytykseen USB-portin välityksellä tapahtuvan latauksen aikana.

SILPPURIN KANSI

Silppurin kansi peittää sivupoistokourun, jolloin leikkurin terä voi leikata ja leikata uudelleen hienompaa leikkuujätettä varten.

KÄSIJARRU

Käsi lukitsee tuotteen jarrutasentoon.

VIRTAKYTKIN JA VIRTA-AVAIN

Virtakytkin kytkee tuotteen päälle (ON) ja pois päältä (OFF). Virta-avain on laitettava paikoilleen ennen kuin kytkintä voidaan käyttää. Kun avain on

lisävarusteasennossa, virtakytkintä käytetään myös valinnaisten valmistajan hyväksymien leikkurilisävarusteiden tehon antamiseen.

KÄYTTÄJÄN LÄSNÄOLON TURVALUKITUSJÄRJESTELMÄ

Käyttäjän läsnäolon turvalukitusjärjestelmä pysäyttää terät, jos käyttäjä jättää leikkurin terien pyöriessä.

ISTUIMEN SÄÄTÖVIPU

Istuimen säätövipu liikuttaa istuimen haluttuun asentoon.

SIVUPOISTOKOURUN TURVALUKITUSJÄRJESTELMÄ

Sivupoistokourun turvalukitusjärjestelmä pysäyttää terät, jos sivupoistokouru avataan terien pyöriessä.

USB-PORTTI

USB-latausportti tarjoaa 5 V:n tasavirtalatausvirran jopa 1 A:lla matkapuhelimellesi, MP3-soittimellesi tai muille USB-laitteille. Tarkista laitteesi opas erityisiä latausvaatimuksia varten.

Liitä USB-johdon yksi pää (ei kuulu toimitukseen) laitteeseesi ja toinen pää tuotteen USB-latausporttiin laitteesi lataamiseksi.

HUOMAUTUS: USB-portti saa virtaa vain kun virta-avain on ON-asennossa.

⚠ VAROITUS

Jos yritetään ladata yli 1 A:n laitteita, USB-latausportti ja leikkuri voivat vahingoittua. Sulje USB-kansi, kun porttia ei käytetä, jotta porttiin ei pääse likaa.

⚠ VAROITUS

Älä koskaan käytä kuulokkeita tai muita elektroniikkalaitteita, kuten älypuhelin tai tablettia, tuotetta käyttäessäsi. Keskittymiskyvyn herpaantuminen leikkurin käytön aikana voi johtaa käyttäjän tai sivullisen vakavaan loukkaantumiseen.

VETOLEVY

Hinauslaattaa voi käyttää vetämään enintään 226,8 kg (500 naulaa) painavia kuormia.

⚠ VAROITUS

Säilytä valppautesi, vaikka välineiden käytöstä muodostuukin ajan mittaan jokapäiväinen rutiini. Muista aina, että hetken kestävä huolimattomuus voi johtaa vakavaan loukkaantumiseen.

⚠ VAROITUS

Käytä aina sivusuojilla varustettuja suojalaseja. Jos et näin tee, seurauksena voi olla vakava vamma kappaleiden lentäessä silmiisi.

⚠ VAROITUS

Sammuta tuote, kytke käsijarru päälle ja irrota virta-avain. Varmista, että kaikki liikkuvat osat ovat pysähtyneet kokonaan, ennen kuin kokoat osia, teet säätöjä, puhdistat tuotteen tai jätät sen vartioimatta. Tämä estää vahingossa tapahtuvan käynnistyksen, joka voi johtaa vakavaan loukkaantumiseen.

⚠ VAROITUS

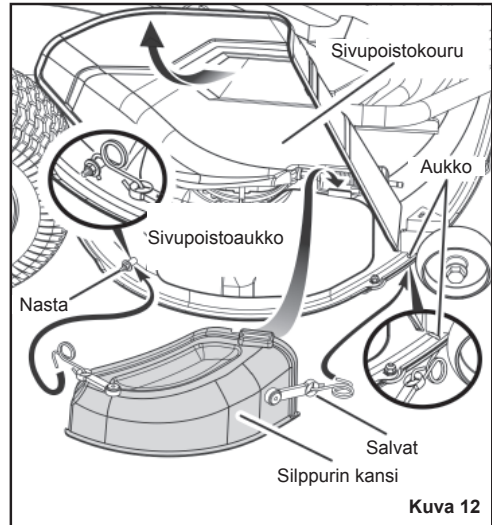
Tarkista tuote aina puuttuvien tai vahingoittuneiden osien varalta. Tarkista terät aina vahinkojen tai epätasaisen tai liiallisen kulumisen varalta ennen käyttöä. Jos tuotetta käytetään osan puuttuessa tai ollessa viallisia, käyttäjä voi loukkaantua vakavasti.

SILPPURIN KANNEN ASENNUS

Katso kuvaa 12.

Tuotteessa on toimitushetkellä sivupoisto. Jos valitaan silppuamistoiminto, on toimittava seuraavasti:

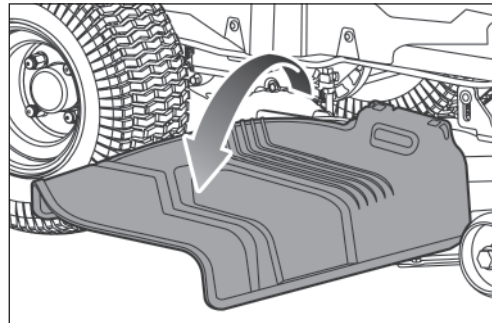
1. Nosta sivupoistokouru.
2. Aseta silppurin kansi leikkurikotelon kielekkeeseen.
3. Liitä silppurin kannen salvat leikkulaaitteen kotelon kahteen sivuasennuskohtaan.
4. Irrota sivupoistokouru.



Kuva 12

⚠ VAROITUS

Varmista, että sivupoistokouru sulkeutuu kokonaan, kun olet valmis. Muutoin seurauksena voi olla vakava loukkaantuminen.



KÄSIJARRUN KYTKEMINEN PÄÄLLE

Katso kuvaa 13.

Käsijarru kytketään päälle seuraavasti:

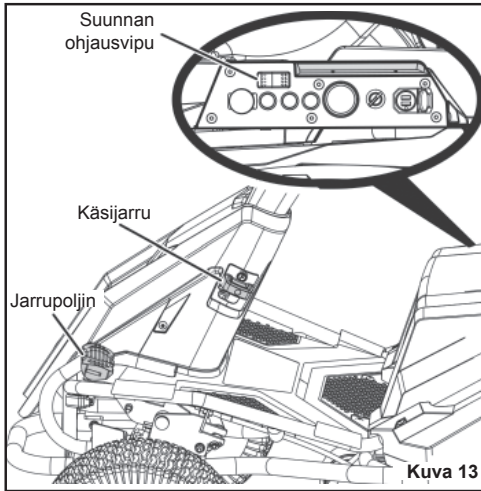
1. Aseta suunnan ohjauskytkin vapaalle (N).
2. Paina jarrupoljinta ja pidä sitä painettuna.
3. Nosta käsijarruvipu kokonaan ylös ja pidä se siinä.
4. Vapauta jarrupoljin.
5. Vapauta käsijarruvipu.

Käsijarrun kytetään pois päältä seuraavasti:

- Paina jarrupoljinta ja vapauta se.

VAROITUS

Älä koskaan jätä tuotetta valvomatta, kun moottori käy. Varmista, että käsijarru on kytkettynä päälle ja että avain on irrotettu. Jos käsijarrua ei kytketä päälle, tuote voi liikkua. Jos avain jätetään paikoilleen, leikkuria saatetaan käyttää luvatta, mikä voi johtaa vakavaan loukkaantumiseen.



ISTUIMEN SÄÄTÖ

Katso kuvaa 14.

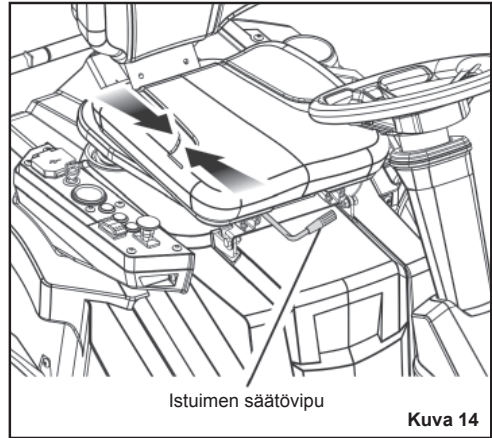
Säädä istuimen asentoa ennen käyttöä varmistaaksesi, että käyttäjä ylettyy käyttämään kaasua ja jarrupolkimia varmasti.

Istuimen liikuttaminen:

1. Istu istuimelle ja nosta istuimen säätövipua.
2. Pitele vīvusta ja liu'uta istuin haluamaasi asentoon.
3. Vapauta vipu ja varmista, että istuin on lukittuna asentoonsa ennen tuotteen käyttöä.

VAROITUS

Varmista, että istuin on lukittuna paikoilleen ennen leikkurin käyttöä. Jos istuin ei ole lukittuna, käyttäjä voi luisua ja menettää leikkurin hallinnan, mikä voi johtaa kuolemaan tai vakavaan loukkaantumiseen.



LEIKKUULAITTEEN KORKEUDEN ASE- TUS

Katso kuvaa 15.

Ennen tuotteen käyttöä nosta laitteen korkeus leikkuuasentoon, joka soveltuu parhaiten nurmikkoosi.

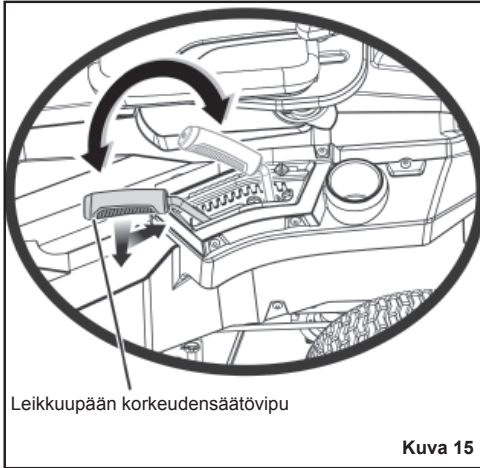
HUOMAUTUS: jotta nurmikko ei vahingoittuisi korkeissa kohdissa, leikkuulaitteen pyörät tulee asettaa noin 1,27 cm (0,5 tuuman) korkeudelle maasta, kun leikkuri on halutulla leikkuukorkeudella. Kun laite toimitetaan, leikkuulaitteen pyörät on asennettu korkeudelle 3,81 cm (1,5 tuumaa). Voit joutua muuttamaan leikkuulaitteen pyörien asentoa haluamasi leikkuukorkeuden mukaan. Voit tehdä sen tämän oppaan Leikkuulaitteen pyörien säätö -osiossa annettujen ohjeiden mukaan.

Leikkuulaitteen korkeutta säädetään seuraavasti:

1. Pysäytä leikkuri ja kytke terät pois päältä.
2. Käännä virta-avain OFF-asentoon ja kytke käsijarru päälle.
3. Leikkuulaitteen nostaminen tapahtuu seuraavasti: tartu laitteen korkeussäätövipuun, työnnä sitä vasemmalle poistaaksesi sen urasta, liikuta sitä leikkurin takaosaa päin ja työnnä se sitten uraan lukitaksesi sen.
4. Leikkuulaitteen madaltaminen tapahtuu seuraavasti: tartu laitteen korkeussäätövipuun, työnnä sitä vasemmalle poistaaksesi sen urasta, liikuta sitä leikkurin etuosaa päin ja työnnä se sitten uraan lukitaksesi sen.

VAROITUS

Pitele leikkuupään korkeussäätövipua tiukasti laitteen korkeutta säätäessäsi ja päästä siitä irti vasta kun se on haluamassasi urassa. Jos vivusta päästää irti nopeasti, vaarana on käyttäjän käden puristuminen tai nykäisy.



Kuva 15

VAKIONOPEUSSÄÄTIMEN ASETUS

Katso kuvaa 16.

Vakionopeussäätimen avulla tuote voi edetä tasaisella nopeudella ilman, että käyttäjän pitäisi painaa koko ajan kaasupoljinta. Vakionopeussäädintä tulisi käyttää ainoastaan kun ajetaan eteenpäin suhteellisen tasaisella ja suoralla alustalla: sitä ei tule koskaan käyttää rinteissä tai epätasaisessa maastossa.

Vakionopeussäätimen asetus:

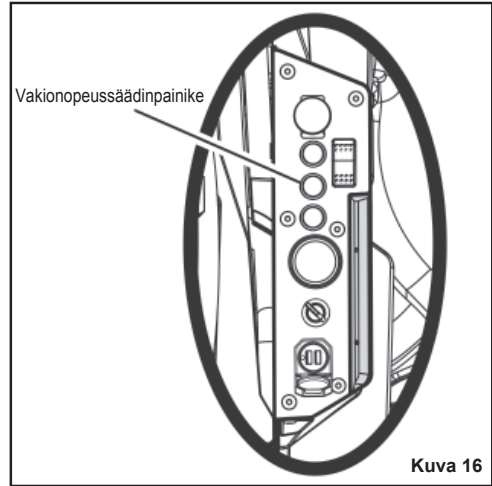
Kun tuotetta ajetaan eteenpäin, paina kaasupoljinta, kunnes nopeus on sopiva.

1. Paina vakionopeussäädinpainiketta. Painikkeen ympärillä oleva valo syttyy osoittaen näin, että vakionopeussäädin on päällä.
2. Älä enää paina kaasupoljinta. Leikkurin nopeuden tulisi pysyä tasaisena.

Vakionopeussäätimen vapautus:

1. Napauta kaasupoljinta.
2. Vapauta jarrupoljin tai paina vakionopeussäätimen painiketta uudelleen. Vakionopeussäätimen

painikkeen ympärillä oleva valo sammuu osoittaen näin, että vakionopeussäädin ei ole enää päällä.



RUOHONLEIKKURIN KÄYTTÖ

Katso kuvaa 17 - 18.

VAROITUS

Huolehdi siitä, että alueella ei ole sivullisia, ennen kuin käytät leikkuria. Jos joku tulee leikkuualueelle, pysäytä leikkuri äläkä jatka leikkaamista ennen kuin alueella ei ole ketään.

Ennen leikkurin käynnistämistä:

- Varmista, että alueella ei ole lapsia, muita sivullisia eikä eläimiä.
- Tyhjennä työalue esineistä, joita leikkurin terät saattavat singota.
- Tarkista jarrun toiminta.
- Tarkista rengaspaine.
- Tarkista liitäntöjen kireys.
- Varmista, että kaikki suojukset ovat paikoillaan ja toimivat oikeaoppisesti.
- Poista jäämät leikkurista.
- Tarkista sivupoistokourun turvalukitusjärjestelmä
- Tarkista käyttäjän läsnäolon turvalukitusjärjestelmä.
- Säädä istuin haluamaasi asentoon.
- Tarkista akun lataustaso.

VAROITUS

Kun akun lataustaso saavuttaa punaisen alueen akun latausilmämaissa, terät pysähtyvät automaattisesti. Palaa välittömästi latausasemaan ja lataa leikkuri. Jos jatkat leikkaamista akun lataustason ollessa punaisella alueella, leikkuri kulkeutuu latausalueen ulkopuolelle.

HUOMAUTUS: Jos leikkuri kulkeutuu kauas laturin luota, aseta suunnan ohjauskytkin vapaalle (N) ja työnnä leikkuri takaisin latauspaikkaan.

Nurmikon leikkuu:

1. Aseta leikkuulaite enimmäiskorkeudelle.
2. Laita virta-avain paikoilleen ja käännä se ON-asentoon.
3. Kytke käsijarru pois päältä.
4. Aseta suunnan ohjauskytkin eteenpäinajon asentoon (F) ja aja haluamallesi leikkuualueelle.

VAROITUS

Varmista, että olet asettanut haluamasi ajosuunnan oikeaoppisesti suunnan ohjauskytkimestä ennen kuin painat kaasupoljinta. Jos et tee näin, leikkuri saattaa ajaa väärään suuntaan, mikä voi johtaa hallinnan menetykseen tai tapaturmaan, mikä voi puolestaan johtaa kuolemaan, vakavaan loukkaantumiseen tai omaisuusvahinkoon.

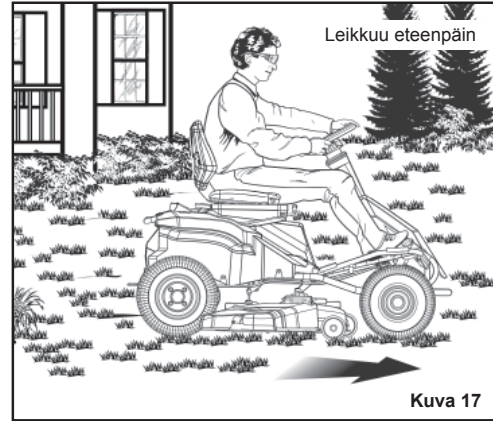
5. Pysäytä leikkuri, kytke käsijarru päälle ja käännä virta-avain OFF-asentoon.
6. Aseta leikkuulaite haluamaasi asentoon.
7. Käännä virta-avain ON-asentoon ja kytke käsijarru pois päältä.
8. Vedä terän kytkentänupista terien aktivoimiseksi ja paina kaasupoljinta nurmikon ajamiseksi.

VAROITUS

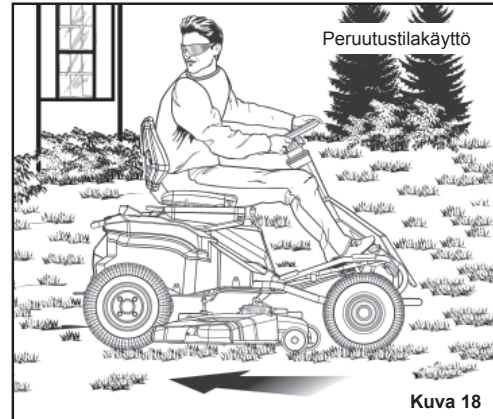
Ole varovainen, kun ylität sorapolkuja tai ajoteitä. Ennen ylittämistä pysäytä terät ja aseta leikkuulaite maksimikorkeuteen osien kimpoamisen minimoimiseksi. Aja hitaasti, ettet menetä pitoa ja hallintaa.

VAROITUS

Älä yritä vaihtaa ajosuuntaa leikkurin liikkeessa. Pysäytä leikkuri aina kokonaan ennen kuin vaihdat sen suuntaa.



Kuva 17



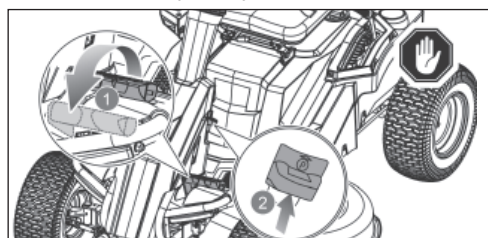
Kuva 18

Peruutustilakäyttö:

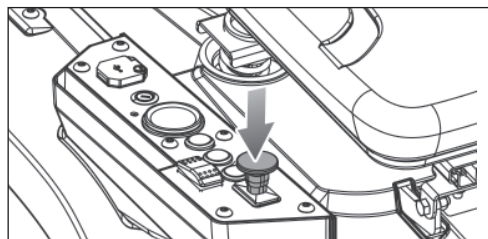
VAROITUS

Tuotteesta kuuluu jatkuva piippaava ääni, kun sitä peruutetaan, kun joko terät on kytketty pois päältä tai kun peruutustilakäytössä.

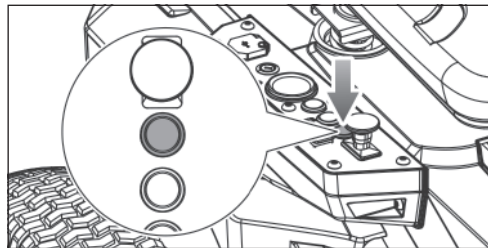
1. Paina jarrupoljinta ja saata tuote kokonaan pysähtyksiin.



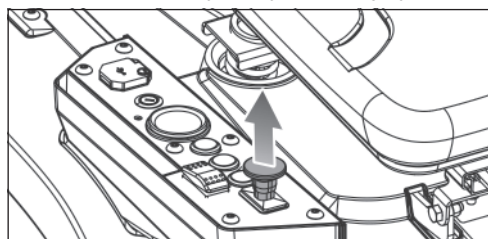
2. Paina terien käynnistyskatkaisija alas terien pysäyttämiseksi.



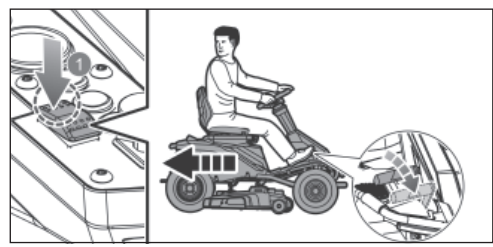
3. Paina peruutustilapainiketta.



4. Vedä terien käynnistyskatkaisija ylös.



5. Aseta suunnan ohjauskytkin peruutusasettoon (R). Paina hitaasti kaasupoljinta ja leikkaa peruutussuunnassa tarvittaessa.



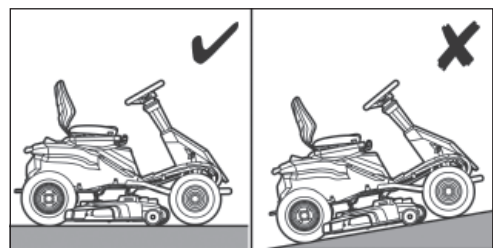
VAROITUS

Älä leikkaa peruutussuunnassa, ellei ehdottomasti välttämätöntä. Katso aina alas ja taaksesi ennen peruutusta ja peruutuksen aikana, jotta voit varmistaa, että leikkuualueella ei ole lapsia, muita sivullisia tai kotieläimiä. Ota huomioon, että peruutustilakäyttö on päällä, kun peruutustilan painike palaa punaisena ja jatkuva piippaava ääni kuuluu. Muistathan, että keskittyminen herpaantuminen sekunnin murto-osaksikin voi johtaa kuolemaan tai vakavaan loukkaantumiseen.

Kun ruohonleikkuu on tehty:

VAROITUS

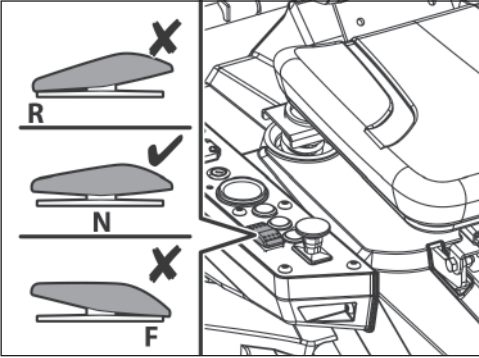
Pysäytä tuote tasaiselle ja vakaalle pinnalle. Älä pysäytä tuotetta rinteeseen.



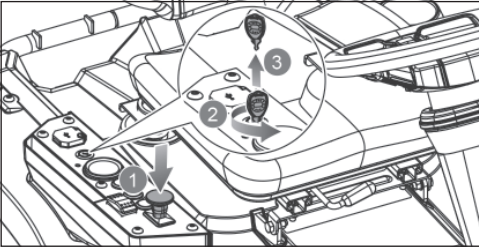
1. Paina jarrupoljinta ja kytke käsijarru päälle.



2. Aseta suunnan ohjauskytkin vapaalle (N).



3. Paina terien käynnistyskatkaisija alas terien pysäyttämiseksi. Käännä virta-avain OFF-asentoon ja irrota avain.



VAROITUS

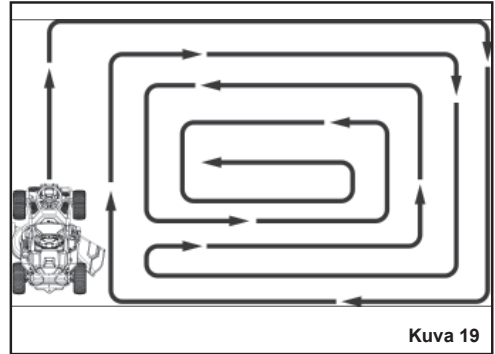
Jos tuotteesta kuuluu piippaus, kun nouset istuimelta, varmista, että käsijarru on on kytkettynä ja että avain on irrotettu. Jos käsijarrua ei kytketä päälle, tuote voi liikkua. Jos avain jätetään paikoilleen, leikkuria saatetaan käyttää luvatta, mikä voi johtaa vakavaan loukkaantumiseen.

HUOMAUTUS: Peruustustilakäyttö nollaantuu aina, kun virtakytkin kytketään OFF-asentoon.

LEIKKUUVINKKEJÄ

Katso kuvaa 19.

- Pidä leikkurin terät terävinä.
- Varmista, että nurmikolla ei ole kiviä, keppejä, johtoja, leluja, puiden pähkinöitä, puiden oksia tai muita osia, jotka voivat vahingoittaa leikkurin teriä tai moottoreita. Älä leikkaa ruohoa rajapyykkien tai metallipylväiden päällä. Kyseiset esineet voivat vahingoittaa terää tai tuote voi singota ne vahingossa mihin tahansa suuntaan ja johtaa käyttäjän ja muiden vakaviin loukkaantumisiin.
- Jotta nurmikko pysyisi terveenä, leikkaa aina enintään kolmasosa ruohon pituudesta.



- Kun leikkaat laajoja aloja, aloita kääntymällä oikealle siten, että ruohojäämät kohdistuvat pois päin pensaista, aidoista ja ajoteistä. Leikkaa sitten yhden tai toisen kierroksen ajan vastakkaiseen suuntaan vasemmalle kääntyen, kunnes olet valmis.
- Leikkaa siten, että ruohojäämät tulevat ulos jo leikatulle nurmikolle.
- Kun leikkaat paksua ruohoa, hiljennä vauhtia leikkuutehon lisäämiseksi ja ruohojäämien oikeaoppista poistoa varten.
- Älä leikkaa märkää ruohoa. Märkä ruoho tarttuu leikkulaitteen alapuolelle ja estää ruohojäämien oikeaoppisen silppuamisen.
- Uusi tai paksu ruoho voi edellyttää kapeampaa leikkualuetta tai suurempaa leikkukorkeutta.
- Pidä leikkulaitte ja sivupoistokouru puhtaina. Poista ruohojäämät, lehdet, lika ja muut kerääntyneet jäämät ennen kutakin käyttöä ja kunkin käyttökerran jälkeen. Älä

ruiskuta tuotetta vedellä puutarhaletkua käyttämällä puhdistaksesi sen.

HUOMAUTUS: Pysäytä tuote aina, anna terien pysähtyä kokonaan ja irrota virta-avain ennen tuotteen alaosan puhdistusta.

RINTEESSÄ TOIMIMINEN

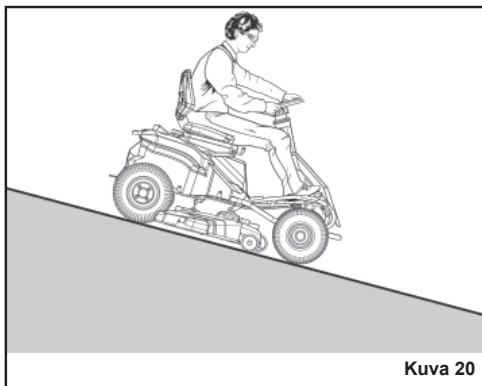
Katso kuvaa 20.

VAROITUS

Rinteessä syntyy paljon hallinnan menetyksestä ja kaatumisista johtuvia onnettomuuksia, joista voi olla seurauksena vakava loukkaantuminen tai jopa kuolema. Rinteessä toimiminen vaatii erityistä varovaisuutta. Jos et kykene peruuttamaan rinteessä tai tunnet olosi epävarmaksi, älä leikkaa ruohoa. Älä käytä tuotetta koskaan jyrkissä rinteissä, joiden kaltevuus on yli 15°. Kopioi tai leikkaa Rinneajon opas, joka on tämän oppaan lopussa, ja määritä sen avulla, onko rinne liian jyrkkä turvallista käyttöä varten.

- Leikkaa ylös ja alas: älä leikkaa rinteiden poikki.
- Älä leikkaa kostea nurmikkoa. Märkä ruoho voi johtaa renkaiden pidon menetykseen tai luisumiseen rinteissä, vaikka jarrut toimisivatkin kunnolla.
- Vältä koloja, uria, kiviä, piilossa olevia esteitä ja möykkyjä, joihin saatat kompastua. Korkeassa nurmikossa saattaa olla piilossa esteitä. Poista kaikki esteet kuten kivet, kepit, ja muut esineet, joihin saatat kompastua tai jotka voivat sinkoutua terästä.
- Älä leikkaa alamäen, ojan tai pengermien lähellä.
- Aja hitaasti äläkä muuta nopeutta tai suuntaa äkillisesti.
- Älä pysähdy rinteessä, jos mahdollista. Jos pysähtymistä ei voi estää, muista kytkeä käsijarru päälle. Kun käynnistät uudelleen, käytä pienintä mahdollista nopeutta. Jos kääntäminen on välttämätöntä, ole erityisen varovainen suuntaa vaihtaessasi ja käännä aina alaspäin rinteessä.
- Älä koskaan yritä vakauttaa leikkuria rinteessä asettamalla jalkasi maahan toiminnan aikana.

- Käytä aina jarruja, kun ajat rinteitä alaspäin. Älä yritä antaa leikkurin ajaa vapaalla alaspäin.
- Jos renkaat menettävät pitoa milloin tahansa rinteessä ajettaessa, kytke terät pois päältä ja aja hitaasti ja varoen suoraan rinteitä alaspäin.



Kuva 20

TUOTTEEN KULJETTAMINEN

Katso kuvaa 21.

VAROITUS

Ole erityisen varovainen, kun ajat tuotteen perävaunulle tai kuorma-autoon tai kun otat sen siitä. Paina jarrupoljinta tarpeen mukaan nopeuden hallinnoimiseksi. Leikkuri rullaa vapaasti, jos se on kallistettulla pinnalla ilman, että jarrupoljinta painetaan tai käsijarru kytketään päälle. Jos näitä ohjeita ei noudateta, seurauksena voi olla hallinnan menetys ja kuolema, vakava loukkaantuminen tai omaisuusvahinko.

VAROITUS

Ole varovainen, kun lastaat tuotteen perävaunulle tai kun otat sen siitä. Varmista, että leikkuulaite on korkeimmassa asennossa siten, ettei se jumitu ramppiin. Tuotteen pyörät voivat luisua rampin tai perävaunun ulkopuolelle, jolloin tuote voi kääntyä tai kaatua. Tuloksena on puristumisvaara, joka voi johtaa kuolemaan tai vakavaan loukkaantumiseen.

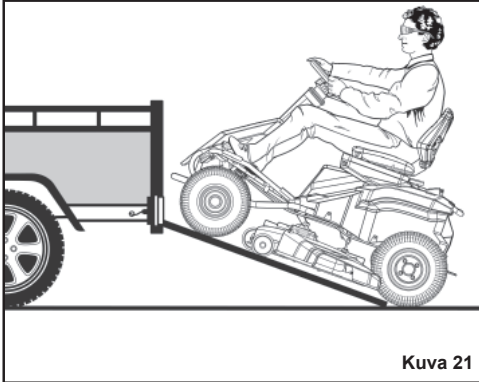
1. Pysäköi tuote aina tasaiselle pinnalle.
2. Aseta leikkuulaite enimmäiskorkeudelle.
3. Laita ja kiinnitä ramppi perävaunuun valmistajan ohjeiden mukaan.

HUOMAUTUS: Käytä yhtä täyden leveyden lastausramppia, joka on vähintään 30,5 cm leveämpi kuin leikkuri. Näin minimoit pyörien rampin ulkopuolelle joutumisen vaaran.

4. Aja tuote hitaasti rampille ja perävaunuun.
5. Aseta leikkuulaite vähimmäiskorkeudelle.
6. Sammuta tuote, kytke käsijarru päälle ja irrota virta-avain.
7. Kiinnitä tuote tarpeen mukaan hihnoilla tai kaapeleilla, jottei se pääsisi liikkumaan kuljetuksen aikana.

VAROITUS

Jotta tuote ei pääsisi vahingossa käynnistymään tai liikkumaan, irrota aina virta-avain ja kytke käsijarru tuotetta kuljettaessasi. Muuten vaarana voi olla vakava loukkaantuminen.



Kuva 21

AJOLEIKKURIN HUOLTO

VAROITUS

Sammuta tuote, kytke käsijarru päälle ja irrota virta-avain. Varmista, että kaikki liikkuvat osat ovat pysähtyneet kokonaan ennen mitään huoltotoimenpiteitä. Näin vältät vahingossa tapahtuvan käynnistymisen ja mahdolliset vakavat loukkaantumiset.

VAROITUS

Käytä aina sivusuojilla varustettuja suojalaseja. Jos et näin tee, seurauksena voi olla vakava vamma kappaleiden lentäessä silmiisi.

VAROITUS

Virheellisestä huollosta johtuvat seuraukset voivat estää tuotteen tai turvallisuusominaisuuksien oikeaoppisen toiminnan, jolloin vakavan tapaturman vaara kasvaa. Pidä saha aina ammattilaistasoisesti huollettuna ja käyttöturvallisena.

VAROITUS

Käytä huollossa ainoastaan alkuperäisiä valmistajan tuottamia varaosia. Muunlaisten varaosien käyttö voi osoittautua vaaralliseksi ja vaurioittaa tuotetta.

VAROITUS

Noudata ehdottomasti momenttiavaimen kaikkia kiristystietoja. Muutoin seurauksena voi olla vakava loukkaantuminen.

VAROITUS

Tarkista koko tuote aina ennen käyttöä vaurioiden ja puuttuvien ja löysien osien – kuten ruuvien, muttereiden, pulttien, tulppien jne. – varalta. Kiristä kaikki liittimet ja tulpat; älä käytä tuotetta, ennen kuin kaikki puuttuvat ja vioittuneet osat on vaihdettu. Ota yhteys valtuutettuun huoltoon.

Yleishuolto

Älä puhdista muoviosia liuottimilla. Suurin osa muoveista ei siedä markkinoilla olevia määrättyjä liuotteita, jotka vahingoittavat niitä. Poista lika, pöly, öljy, rasva tms. puhtailla rievuilla.

VAROITUS

Älä koskaan päästä jarrunesteitä, bensiniä, öljytuotteita, läpäiseviä öljyjä tms. kosketuksiin muoviosien kanssa. Kemikaalit voivat vioittaa, heikentää ja tuhota muovia, mikä saattaa aiheuttaa vakavan loukkaantumisen.

Poista kaikki konepellin päälle tai sen ympärille kerääntyneet ruohot ja lehdet. Pyyhi leikkuri silloin tällöin puhtaaksi kuivalla rätillä. Älä käytä vettä.

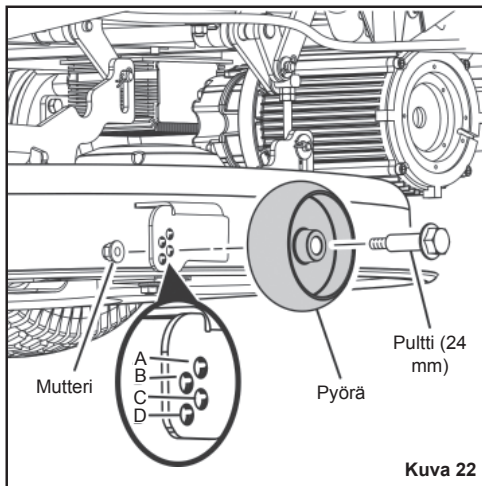
LEIKKUULAITTEEN PYÖRIEN SÄÄTÖ

Katso kuvaa 22.

Leikkuulaitteen pyörät tulee asettaa noin 1,27 cm (0,5 tuuman) korkeudelle maasta, kun leikkuri on halutulla leikkuukorkeudella. Tämä minimoi nurmikon irtoamisen vaaran useimmissa tapauksissa. Kun tuote toimitetaan, sen renkaat ovat asennossa A.

Leikkuulaitteen pyörien säätö:

1. Pysäköi tuote tasaiselle pinnalle ja kytke käsijarru päälle.
2. Sammuta tuote ja irrota virta-avain. Varmista, että kaikki liikkuvat osat ovat pysähtyneet täysin.
3. Aseta leikkuulaite haluamallesi korkeudelle.
4. Irrota mutteri ja pultti, jotka kiinnittävät leikkuulaitteen pyörän paikoilleen.
5. Siirrä pyörä haluamaasi kohtaan. Saatavilla on seuraavat reikien kohdat:
 - 3,81 cm. (1,5 in.) (A)
 - 4,44 cm (1,75 in.) (B)
 - 5,08 cm. (2 in.) (C)
 - 5,72 cm (2,25 in.) (D)
6. Aseta pultti ja mutteri takaisin paikalleen ja kiristä tiukalle. Kiristä mutteri arvoon 5,42–8,13 Nm (4–6 jalkanaulaa).
7. Toista nämä vaiheet toisenkin leikkuulaitteen pyörän kohdalla ja varmista, että molemmat pyörät asennetaan samaan kohtaan.



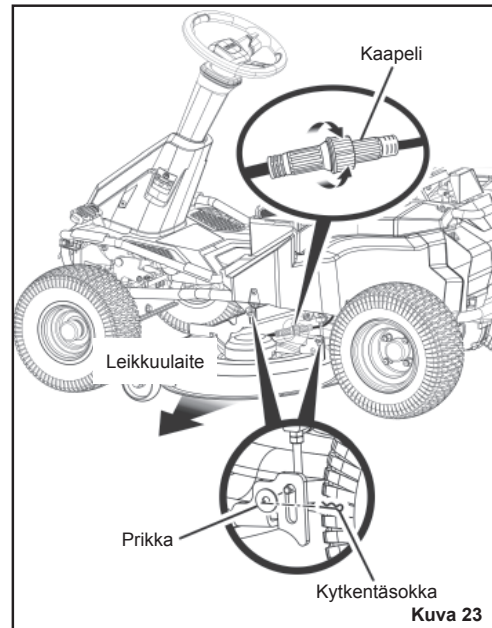
LEIKKUULAITTEEN IRROTUS

Katso kuvaa 23.

Leikkuulaite voidaan irrottaa leikkurista, jotta teriin päästään käsiksi helpommin vaihtoa varten.

1. Varmista, että suunnan ohjauskytkin on vapaassa (N) asennossa ja että terän kytkentänappi on alhaalla.
2. Sammuta tuote, kytke käsijarru päälle ja irrota virta-avain. Varmista, että kaikki liikkuvat osat ovat pysähtyneet täysin.
3. Irrota vaijerit, jotka liittävät leikkuulaitteen leikkuriin.
4. Aseta leikkuulaite vähimmäiskorkeudelle.
5. Irrota 4 vetokoukkaa ja aluslaattaa, jotka kiinnittävät leikkuulaitteen paikoilleen.
6. Liu'uta laite ulos leikkurin alta.

Toista vaiheet päinvastaisessa järjestyksessä asentaaksesi leikkuulaitteen uudelleen leikkuriin.



LEIKKUUTERÄN VAIHTAMINEN

Katso kuvaa 24 - 26.

VAROITUS

Käytä ainoastaan alkuperäisiä varateriä ja teräpultteja, jotka päättäajettavan ruohonleikkurisi valmistaja on hyväksynyt. Jos käytät teriä ja teräpultteja, joita ei ole hyväksytty, seurauksena voi olla vaaroja ja päättäajettava ruohonleikkuri voi vahingoittua.

1. Varmista, että suunnan ohjauskytkin on vapaassa (N) asennossa ja että terien käynnistyskatkaisija on alhaalla.
2. Sammuta tuote, kytke käsijarru päälle ja irrota virta-avain.
3. Aseta leikkuulaite enimmäiskorkeudelle, jotta teriin päästään käsiksi.

HUOMAUTUS: Jos tarpeen, nosta leikkuria asettamalla se nostimelle tai käytä tunkkia ja tukijalkoja tai irrota leikkuulaite edellisessä osiossa kerrotulla tavalla päästäksesi käsiksi teriin.

VAROITUS

Jos nostat leikkuria päästäksesi käsiksi teriin, varmista, että leikkuri on kunnolla kiinni ja että käsijarru on kytketty päälle ennen kuin jatkat. Jos leikkuria ei varmisteta oikeaoppisesti, seurauksena voi olla sen putoaminen, mikä voi puolestaan johtaa vakavaan loukkaantumiseen tai jopa kuolemaan.

4. Työnnä puupala terän ja leikkurin väliin siten, että terä ei pääse pyörimään.
5. Löysennä terän mutteria kiertämällä sitä vastapäivään (ruohonleikkurin pohjalta katsottuna) 15 mm kiinto- tai holkkiavaimella (ei mukana).
6. Irrota terän mutteri, välilevy, eriste ja terä.
7. Aseta uusi terä akselille vastaavia terätukia vasten. Varmista, että terä istuu asianmukaisesti siten, että sen keskellä olevan reiän läpi kulkee akseli ja sen

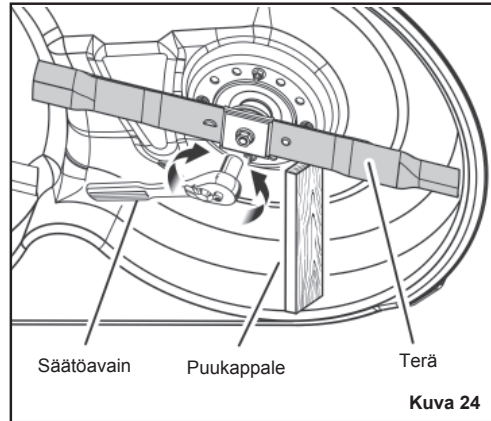
rei'issä on kaksi tappia. Varmista, että olet asentanut sen siten, että kaarevat päät ovat leikkuri eikä maata kohti. Kun terä on kunnolla paikoillaan, sen on oltava tasassa terätukia vasten.

8. Asenna terän vaimennin ja välilaatta uudelleen ja varmista, että niiden tasasivut ovat kohdistettuina ja että välilaatan aukon suorat sivut ovat kohdistettuina teräkselin suoriin sivuihin.
- HUOMAUTUS:** Varmista, että kaikki osat ovat samassa järjestyksessä kuin alunperin.
9. Kierrä terämutteri akseliin ja kiristä sormitiukkuuteen.
 10. Kiristä terän mutteria kiertämällä sitä myötäpäivään momenttiavaimella (ei mukana), jotta pultti tulee oikealle kireydelle. Terän pultin suositeltu kiristysmomentti on 68 - 74 Nm (600-650 in. lbs.)

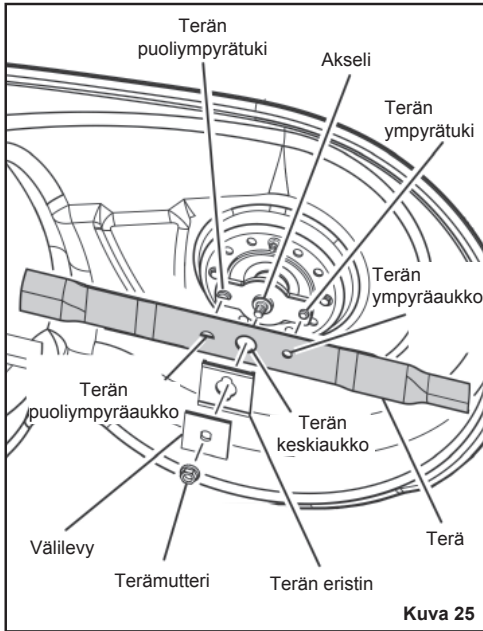
VAROITUS

Varmista, että terä on kunnolla paikoillaan ja että terämutteri on kiristetty yllä mainittujen momenttien mukaan. Jos terää ei kiinnitetä oikeaoppisesti, se voi löystyä ja johtaa vakaviin loukkaantumisiin.

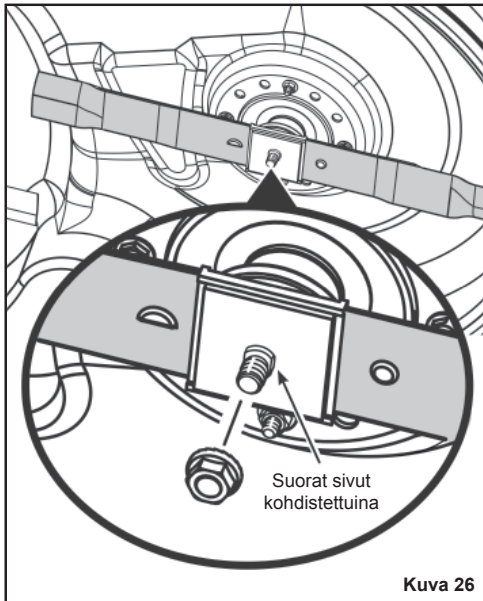
Toista toimenpiteet toisen terän kohdalla tarvittaessa.



Kuva 24



Kuva 25



Kuva 26

- Takarenkaat: 40,6x16,5x20,3 cm

Rengasilmanpaine

Tarkista kaikkien renkaiden ilmanpaine ennen käyttöä. Virheellinen ilmanpaine vaikuttaa käsittelyyn, ohjausvasteeseen, pitoon, renkaan käyttöikään, leikkuujäljen tasaisuuteen ja käyttäjän mukavuuteen. Varmista, että renkaat on täytetty suositeltuun täyttöpaineeseen (1,6 baaria).

HUOMAUTUS: Rengaspaine tulee mitata ja sitä tulee säätää vain renkaiden ollessa kylmiä.

⚠ VAROITUS

Tarkista rengaspaine huolellisesti täytön aikana. Liiallinen ilma renkaassa voi johtaa renkaan räjähtämiseen, jolloin seurauksena on vakavia loukkaantumisia.

⚠ VAROITUS

Oikeaoppisen rengaspaineen ylläpito on erittäin tärkeää. Liian vähäinen paine voi saada renkaan pyörähtämään ulos vanteesta. Liiallinen paine sen sijaan voi johtaa renkaan räjähtämiseen. Jos oikeaoppisesta ilmanpaineesta ei huolehdi, renkaat voivat aiheuttaa ongelmia leikkurin toimintaan ja vakauteen, mistä voi seurata vakavia loukkaantumisia.

RENKAAN KORJAUS

Jos renkaaseen tulee reikä tai se tyhjentyy kokonaan piston seurauksena, rengas voidaan korjata tulppatyypisellä paikalla. Jos rikkoontuminen johtuu viillosta tai jos pistokohtaa ei voi korjata tulpalla, rengas on vaihdettava.

RENKAIDEN VAIHTO

Kun renkaat ovat kuluneet, leikkurin pito heikkenee, mikä lisää tapaturma-alttiutta. Vaihda renkaat, kun uran syvyys on 4 mm tai vähemmän, tai aina kun rengas on vaurioitunut. Käytä ainoastaan alkuperäisiä vararenkaita. Jos tuotteessa käytetään soveltumattomia renkaita, seurauksena voi olla hallinnan menetyks, mikä voi johtaa vakavaan loukkaantumiseen.

Vaihdeta renkaat ainoastaan valtuutetussa huoltoliikkeessä.

RENKAAN HUOLTO

Tuote on varustettu sisäkumittomilla renkailla, joiden koko on seuraava:

- Eturenkaat: 38,1x15,2x15,2 cm

JARRUJEN SÄÄTÖ

Katso kuvaa 27.

Leikkurin oikeaoppinen pysäytys on erittäin tärkeä leikkuuturvallisuuden kannalta. Jos leikkuri liikkuu vielä lisää ennen kuin pysähtyy, vaikka olet painanut jarrupoljinta, jarrut saattavat kaivata säätöä.

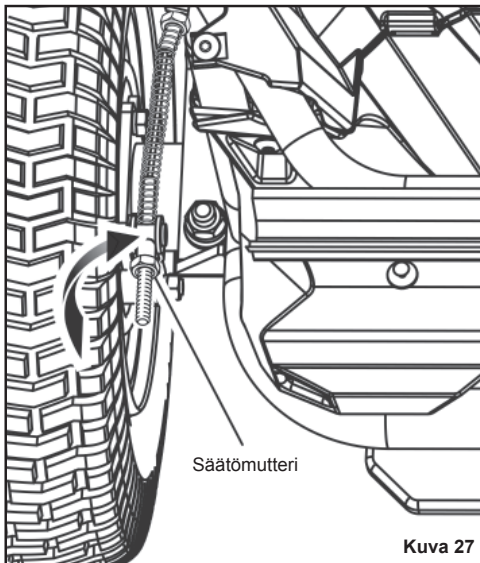
Testaus:

1. Pysäytä tuote tasaiselle pinnalle ja kytke käsijarru päälle.
2. Aseta suunnan ohjauskytkin vapaalle (N).
3. Seiso leikkurin takana ja yritä työntää sitä eteenpäin. Jos takarengaat pyörivät, jarruja on kiristettävä.

Kiristys:

1. Paikanna jarrujen säätömutterit kunkin takarengaankin sisäpuolelta.
2. Käännä kutakin säätömutteria 1/4 kierrosta myötäpäivään ja yritä sitten työntää leikkuria uudelleen.
3. Jatka kääntämällä kutakin mutteria 1/4 kierroksen verran ja testaa, kunnes leikkuria ei enää voida liikuttaa työntämällä.

Kun on tehty lopullinen säätö, testaa jarruja ajamalla leikkuria normaalilla nopeudella tasaisella maalla. Näin voit varmistaa, että leikkuri pysähtyy nopeasti, kun jarrupoljinta painetaan.

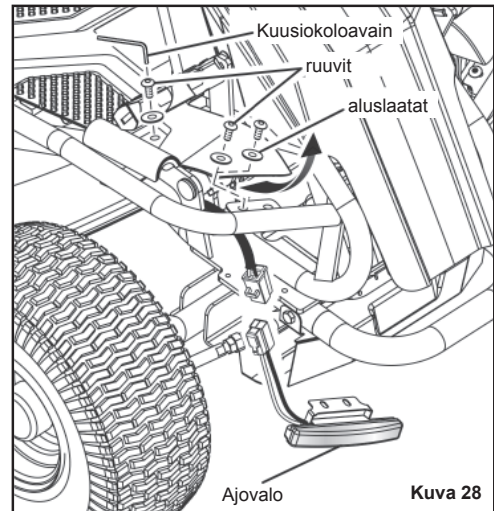


AJOVALOJEN VAIHTO

Katso kuvaa 28.

Ota yhteyttä valtuutettuun huoltoliikkeeseen uuden ajovalon tilaamiseksi.

1. Pysäytä tuote tasaiselle pinnalle ja kytke käsijarru päälle.
2. Sammuta tuote ja irrota virta-avain.
3. Irrota ja laita sivuun kuusiokoloruuvi ja aluslaatta, jotka pitävät leikkurin jalkalevyä paikoillaan.
4. Nosta jalkalevyä hieman päästäksesi käsiksi kahteen kuusiokoloruuviin ja aluslaattaan, jotka pitävät ajovaloa paikoillaan. Irrota ruuvit ja aluslaatat ja aseta ne sivuun.
5. Kytke irti vanha ajovalo ja heitä se pois.
6. Liitä uusi ajovalo ja asenna uudelleen ja kiristä tiukasti aluslaatat ja ruuvit.
7. Madalla jalkalevyä ja asenna uudelleen aluslaatta ja ruuvi kiinnittääksesi sen.



LEIKKUULAITTEEN TASAUS

Katso kuvaa 29 - 30.

Jos nurmikkosi leikkuujälki on epätasainen leikkurin jäljiltä, leikkuulaite saattaa tarvita säätöä. Ennen kuin päätät, että leikkuulaitteen tasoitus on tarpeen, varmista, että renkaiden täyttöpaine on oikeanlainen leikkuun aikana. Liian täydet tai tyhjät renkaat voivat vaikuttaa leikkuujälkeen, ja renkaiden oikeaoppinen täyttö saattaa ratkaista epätasaisen leikkuujäljen ongelman.

HUOMAUTUS: Tarkista aina kohdistus sivulta sivulle ja säädä tarvittavalla tavalla ennen kuin mittaat ja säädät edestä taakse.

Ennen aloitusta:

1. Varmista, että suunnan ohjauskytkin on vapaassa (N) asennossa ja että terän kytkentänappi on alhaalla.
2. Sammuta tuote, kytkte käsijarru päälle ja irrota virta-avain.
3. Aseta leikkuulaite enimmäiskorkeudelle.

Säätö sivulta sivulle:

1. Aseta terät siten, että päät osoittavat leikkurin sivuille.
2. Mittaa kunkin terän ulkoreunalta etäisyys terän sivun alareunasta maahan. Jos kahden sivun välinen etäisyys on yli 0,32 cm (1/8 tuumaa), säätö sivulta sivulle on tarpeen.
3. Löysää vastamuttereita näytetyllä tavalla sivulta, jota tahdot säätää.
4. Käännä säätömuttereita myötäpäivään nostaaaksesi tai vastapäivään madaltaaksesi leikkuulaitteen sivua. Jokainen säätömutterin täysi kierros muuttaa leikkuulaitteen korkeutta noin 0,48 cm (3/16 tuumaa).
5. Mittaa terän ja maan välinen etäisyys uudelleen. Jatka säätämistä ja mittausta, kunnes kunkin sivun välisen etäisyyden ero on 0,32 cm (1/8 tuumaa) tai vähemmän.
6. Siirry etu-takasäätöön tai kiristä vastamutterit uudelleen lukitusta varten.

Etu-takasäätö tehdään seuraavasti:

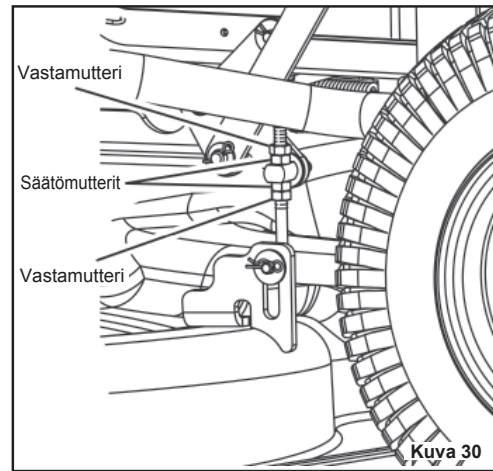
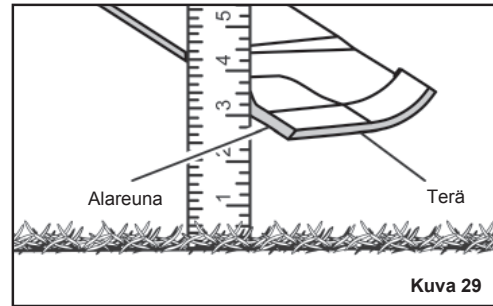
HUOMAUTUS: Tasaa laite aina sivulta sivulle ennen kuin teet etu- ja takasäädön.

1. Aseta lähinnä sivupoistokourua oleva terä siten, että päät osoittavat nyt leikkurin etu- ja takaosaan.
2. Mittaa etäisyys terän kärjen ja maan välillä. Parhaita tuloksia varten terän etukärjen tulisi olla 0,32–0,95 cm (1/8–3/8 tuumaa) matalampana kuin takakärki.
3. Jos tarvitaan etu-takasäätöä, käännä säätömuttereita myötäpäivään nostaaaksesi tai vastapäivään madaltaaksesi leikkuulaitteen takaosan. Jokainen täysi kierros muuttaa

leikkuulaitteen korkeutta noin 0,32 cm (1/8 tuumaa).

HUOMAUTUS: Muista kääntää säätömuttereita molemmilla puolilla tasaisesti, jotta sivulta sivulle mittaus ei taas heittäisi.

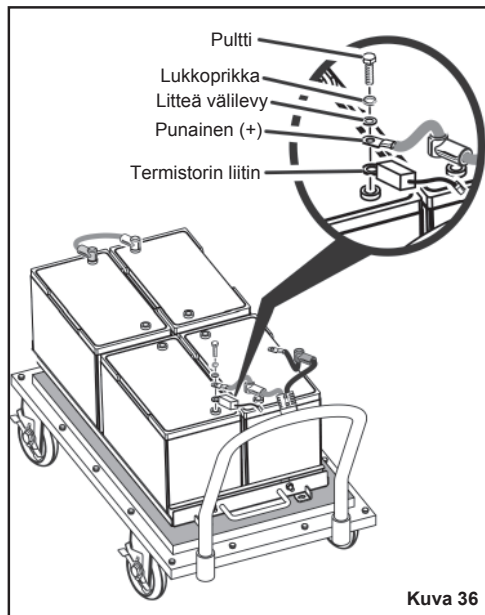
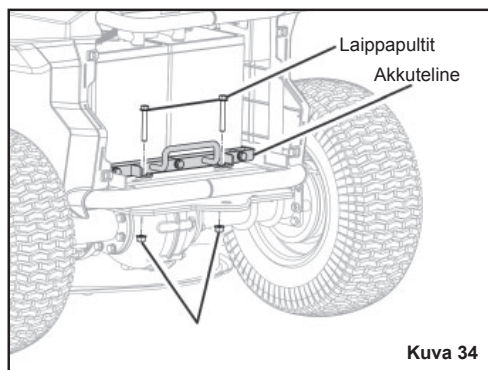
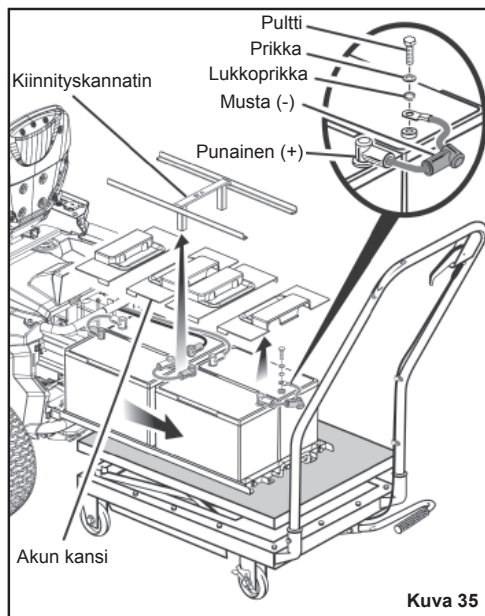
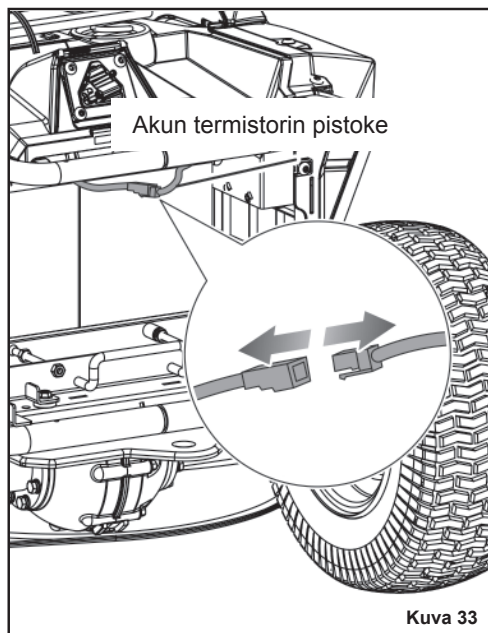
4. Mittaa uudelleen etäisyys terän ja maan välillä tarkistaaksesi, että etukärki on 0,32–0,95 cm. (1/8–3/8 tuumaa) takakärkeä matalampana. Jos näin ei ole, jatka säätämistä ja mittausta, kunnes ne ovat niin.
5. Älä liikuta säätömuttereita ja kiristä uudelleen vastamutterit kiinnittääksesi säätömutterit paikoilleen.



AKUN VAIHTAMINEN

Katso kuvaa 31 - 36.

HUOMAUTUS: Käytä ainoastaan päältäajettavan leikkurin RYOBI-lyijyakkuja, joiden osanumero on: 5131042607.



VAROITUS

Akkuelkka on erittäin painava, sen paikalleenasettamiseen tarvitaan vähintään kaksi ihmistä. Suosituksena on käyttää hydraulista pöytämallista kärryä (tai vastaavaa laitetta) telineen pidennyksessä. Jos akkutelinettä ei pidennetä ja tueta oikeaoppisesti, seurauksena voi olla vakava loukkaantuminen sekä leikkurin vahingoittuminen.

▲ VAROITUS

Jos akkua käsitellään väärin, siitä voi vuotaa nestettä; älä kosketa sitä. Jos kosketat sitä vahingossa, huuhtelee se vedellä. Jos nestettä pääsee silmiin, hakeudu lääkäriin. Akusta vuotanut neste voi ärsyttää ihoa ja aiheuttaa palovammoja.

11. Nosta akun kiinnityskannatin pois akuista ja aseta sivuun.
12. Irrota ja laita sivuun vaihdettavan akun tai vaihdettavien akkujen kannet.
13. Kytke irti akku tai akut, jotka on vaihdettava.
Irrota ensin negatiivinen (musta) johto ja sitten positiivinen (punainen) johto. Ole varovainen, ettet oikosulje liittimiä.
HUOMAUTUS: Kun irrotat takakaapelit, kirjaa muistiin akun termistorin liitteen asento positiivisessa navassa. Muista asentaa liitin uudelleen samaan paikkaan.
14. Vaihda akku tai akut tarpeen mukaan ja asenna kaapelit uudelleen. Liitä ensiksi positiivinen (punainen) kaapeli. Liitä sitten negatiivinen (musta) kaapeli ja ole tarkkana, ettet kytke liittimiä oikosulkuun.
15. Asenna akun kannet ja akun kiinnityskannatin uudelleen paikoilleen.
16. Työnnä akkuteline takaisin leikkuriin juuri riittävästi siten, että kykenet liittämään akun pikakiinnityspistokkeen uudelleen.
HUOMAUTUS: Jotta saat tarpeeksi vipuvoimaa uudelleenliittämää varten, on usein helpompaa liittää akkukotelon alueelta istuimen alapuolella olevan alueen sijaan.
17. Kun akut on liitetty uudelleen leikkuriin, työnnä akkuteline kokonaan takaisin leikkurin sisälle.
18. Asenna uudelleen laippapultit ja laippamutterit kiinnittäaksesi akkutelineen ulkoreunan. Kiristä hyvin.
19. Asenna kuusiokolopultti uudelleen kiinnittäaksesi akkutelineen paikoilleen. Kiristä hyvin.
20. Liitä akun termistori.
21. Vaihda akkukotelon kansi ja asenna kiinnitysosat uudelleen paikoilleen.
HUOMAUTUS: Varmista, että akkukotelon kannen kielekkeet ovat leikkurin ylä- ja sivulevyjen aukoissa ennen kuin kiristät ruuvit.
22. Asenna johdotuskansi uudelleen ja työnnä alas, kunnes se asettuu paikoilleen. Madalla sitten istuinta.

HUOMAUTUS: Varmista aina, että turvalukituskaapelin liitäntä on kunnolla paikoillaan, kun vaihdat johdotuskannen.

HUOMAUTUS: Noudata aina akun mukana tulleita turvallisuusvaroituksia. Hävitä akku paikallisten ja kansallisten määräysten mukaisesti.

VARASTOINTI JA TALVISÄILYTYS

Seuraaviin toimenpiteisiin on ryhdyttävä ennen tuotteen varastointia:

- Pysäköi leikkuri tasaiselle pinnalle ja kytke käsijarru päälle.
- Poista kaikki konepellin päälle tai sen ympärille kerääntyneet ruohot ja lehdet. Pyyhi ruohonleikkuri puhtaaksi kuivalla liinalla. Älä puhdistu tuotetta vedellä.
- Kytke tuote virtaan ladataksesi sitä koko varastoinnin ajan.
HUOMAUTUS: Jos leikkurin laturia ei voi jättää liitetyksi varastoinnin ajaksi, lataa akut vähintään kerran kuukaudessa varastoinnin aikana. Akut latautuvat parhaiten lämpötiloissa välillä 0–40° C.
- Säilytä tuotetta puhtaassa ja kuivassa paikassa, johon lapset eivät pääse. Älä varastoi minkään liekillä käyvän laitteen lähellä, näitä ovat esimerkiksi kaasulla käyvä vedenlämmitin, kuivauskaappi tai uuni.
HUOMAUTUS: Älä jätä virta-avainta tuotteeseen varastoinnin ajaksi.
- Pidä tuote erillään syövyttävistä aineista, kuten puutarhakemikaaleista ja jäänestosuolasta.

KÄYTTÖÖN VALMISTAUTUMINEN VARASTOINNIN JÄLKEEN

Seuraaviin toimenpiteisiin on ryhdyttävä ennen kuin tuotetta käytetään varastoinnin jälkeen:

- Tarkista huoltokaavio.
- Lataa akut kokonaan.
- Tarkista renkaiden paine ja täytä tarvittaessa.
- Aja tuotetta hetken ja tarkista, että kaikki järjestelmät ja komponentit toimivat kunnolla.

POLTTOAINESEKOITUKSEN MÄÄRÄ

EN
FR
DE
DA
SV
FI
NO

	Tarkista ennen kutakin käyttökertaa	25 tunnin välein	50 tunnin välein tai vuosittain	Ennen varastointia	Kerran kuussa varastointiaikana
Tarkista jarrun toiminta	■				
Tarkista rengaspaine	■				
Tarkista sivupoistokouru ja käyttäjän läsnäolon turvalukitusjärjestelmät	■				
Tarkista liitäntöjen kireys.	■			■	
Poista jäämät tuotteesta	■			■	
Tarkista/vaihda silppurin terät	■	■			
Puhdista akun liittimet			■		
Lataa akku.	■				■

HUOMAUTUS: Jos laitetta käytetään pölyisessä ympäristössä, se vaatii huoltoa useammin.

Kun laite on ylittänyt taulukossa määrätyn enimmäismäärän, huolto tulee silti tehdä tässä mainittujen aikavälien tai tuntimäärien mukaisesti.

Jos et ole varma, kuinka edellä mainitut huoltotoimenpiteet suoritetaan, huollata tuote ainoastaan valtuutetussa huoltoliikkeessä.

LISÄLAITTEET

Kuvaus	osanumero
Murskainterät (murskaamiseen ja sivulle poistoon)	RAC438 (996516)

⚠ VAROITUS

Nykyiset lisälaitteet ja lisävarusteet, joita tuotteen kanssa voidaan käyttää, on lueteltu yllä. Älä käytä muita, kuin valmistajan tälle laitteelle suosittelemia varaosia ja lisävarusteita. Muiden, kuin suositeltujen varaosien ja lisävarusteiden käyttö voi aiheuttaa vakavaa loukkaantumisvaaraa.

VARAOSAT

Kuvaus	osanumero
Silppurin kansi	5131042540
Sivupoistokouru	5131042541
Etupyörät	5131042542
Takapyörät	5131042543
Akku	5131042607

VIANHAKU

Jos nämä ratkaisukeinot eivät tepsii, huollata tuote ainoastaan valtuutetussa huoltoliikkeessä.

Ongelma	Mahdollinen syy	Ratkaisu
Ruohonleikkuri ei käynnisty.	Akun lataustaso on alhainen.	Lataa akku.
	Laturi on liitettyä tuotteeseen.	Kytke laturi irti tuotteesta.
	Virta-avain ei ole paikoillaan tai se on OFF-asennossa.	Laita virta-avain paikoilleen ja käännä se ON-asentoon.
	Akun johtoliitännät ovat huonoja	Tarkista ja puhdista kaikki akun liitännät.
Tuote ei liiku.	Virta-avain ei ole paikoillaan tai se on OFF-asennossa.	Laita virta-avain paikoilleen ja käännä se ON-asentoon.
	Käsijarru on kytkettyä.	Kytke käsijarru pois päältä.
	Suunnan ohjauskytkin on vapaalla (N).	Aseta suunnan ohjauskytkin halutulle suunnalle (eteen- tai taaksepäin).
	Jarrupoljinta painetaan ja/tai kaasupoljinta ei paineta.	Vapauta jarrupoljin, ja paina kaasupoljinta.
	Käyttäjä ei ole kunnolla paikoillaan.	Istu kokonaan istuimelle, palauta ajovivut vapaalle ja yritä uudelleen
Ruohonleikkuri leikkaa ruohoa epätasaisesti.	Rengaspaine on epätasainen.	Tarkista kaikkien neljän renkaan paine.
	Leikkulaite ei ole tasassa.	Säädä leikkulaiteen asentoa.
	Terä on kulunut, taittunut, löysä tai tylsä.	Vaihda terä.
	Tuotteen alle on kertynyt jäämiä.	Puhdista ruohonleikkurin rungon alapuoli.
	Leikkausnopeus on liian suuri.	Leikkaa hitaammin.
Ruohonleikkuri ei silppua asianmukaisesti.	Märät ruoholeikkujätteet tarttuvat ruohonleikkurin alapuolelle.	Anna ruohon kuivua ennen leikkuuta.
	Ruoho on liian korkea.	Leikkaa kerran suurella leikkukorkeudella ja sitten haluamallasi korkeudella.
	Terä on kulunut, taittunut, löysä tai tylsä.	Vaihda terä.
	Leikkausnopeus on liian suuri.	Leikkaa hitaammin.
Ruohonleikkuri tärisee korkeimmilla nopeuksilla.	Terä on epätasapainossa, löysä tai liian kulunut tai se on kulunut epätasaisesti.	Vaihda terä.
	Moottorin akseli on taipunut.	Pysäytä moottori ja irrota virta-avain. Tutki saha huolellisesti vaurioiden varalta. Vie kone huollettavaksi valtuutettuun huoltoliikkeeseen ennen uudelleenkäynnistystä.

Ruoho sinkoutuu ulos huonosti.	Sivupoistokouru tai aukko on tukossa.	Puhdista sivupoistokouru ja aukko.
	Ruoho on märkää.	Anna ruohon kuivua ennen leikkausta.
	Leikkausnopeus on liian suuri.	Leikkaa hitaammin.
	Ruoho on liian korkea.	Leikkaa kerran suurella leikkuukorkeudella ja sitten uudelleen haluamallasi korkeudella.
Moottori sammuu leikkuun aikana.	Leikkuukorkeus on asetettu liian matalaksi.	Nosta leikkuukorkeutta.
	Akun lataustaso on alhainen.	Lataa akku.
Terät eivät pyöri.	Akun lataustaso on alhainen.	Lataa akku.
	Sivupoistokouru ei paina sivupoiston lukituskytkintä.	Paina sivupoistokouru alas ja varmista, että se painaa sivupoiston lukituskytkintä kokonaan.
	Terän kytkentänappi on alhaalla.	Vedä terän kytkentänappi ylös.
	Käyttäjä ei ole kunnolla paikoillaan.	Istu istuimelle kokonaan.
	Leikkurin alle on kertynyt jäämiä.	Puhdista ruohonleikkurin rungon alapuoli.
Terät eivät pyöri peruutettaessa.	Peruutustila on pois päältä.	Paina peruutustilapainiketta peruutustilan päälle laittamiseksi.
	Terän kytkentänappi on alhaalla.	Vedä terän kytkentänappi ylös.
Tuote ei saavuta täyttä nopeutta.	Akun lataustaso on alhainen.	Lataa akku.
Terät jatkavat pyörimistä senkin jälkeen, kun käyttäjä nousee ja ilman, että käsijarru kytketään päälle.	Turvalukitusjärjestelmä ei toimi kunnolla.	Varmista, että turvalukitusjärjestelmän istuinpistoke on kunnolla liitetty. Jos terät eivät vielä pysähdy, huollata tuote valtuutetussa huoltoliikkeessä.
Ajovalot eivät toimi.	Ajovalot ovat sammuksissa.	Paina ajovalopainiketta ajovalojen sytyttämiseksi.
	Ajovalot ovat vaurioituneet.	Vaihda ajovalot.
Akku ei lataudu.	Akkukennnot ovat huonoja.	Vaihda akku.
	Kaapeliiliitännät ovat heikkoja.	Tarkista ja puhdista kaikki akun liitännät.

USEIN KYSYTYT KYSYMYKSET

- Tuleeko leikkuri pitää liitettynä laturiin, kun sitä ei käytetä?
 - Kyllä. Leikkuria tulee ladata jatkuvasti, kun se ei ole käytössä.
- Mikä on suositeltu rengaspaine ja miten usein se tulisi tarkistaa?
 - Jotta suorituskyky olisi paras mahdollinen, rengaspaineen tulisi olla 1,6 baaria. Tarkista rengaspaine ennen kutakin käyttökertaa.
- Mikä voi aiheuttaa terien pysähtymisen käytön aikana?
 - Tarkista akun tasonilmaisain. Laitteen moottori sammuu, kun akkuteho laskee. Näin sinulla on riittävästi aikaa palata latausasemaan. Aja takaisin ja lataa akku välittömästi.
 - Jos akkutaso on alhainen, hidasta tai nosta leikkuulaite korkeammalle tasolle. Suuret kuormitukset voivat johtaa myös yhden tai molempien laitemoottoreiden pysähtymisen.
 - Tarkista, että sivupoistokouru on suljettu kunnolla. Paina sivupoistokouru alas ja varmista, että se painaa sivupoiston lukituskytkintä kokonaan.
- Kun ajat vapaalla rinnettä alas, miksi leikkuri välillä kiihdyttää ja välillä taas ei?
 - Turvallisuuden ja tehokkuuden lisäämiseksi leikkuri on suunniteltu rajoittamaan nopeuttaan automaattisesti rinteessä, mikä voi johtaa nopeuden vaihteluihin.
- Miksi leikkurista kuuluu piippaava ääni, kun peruutan?
 - Äänellä kerrotaan sivullisille, että leikkuri on lähellä.
- Kun leikkuria käytetään, miten pysäytän leikkurin kokonaan?
 - Pysäytä leikkuri painamalla käyttäjän vasemmalla puolella olevaa jarrupoljinta. Tässä tuotteessa ei ole hydrostaattista ajoa.
- Miksi leikkurista kuuluu piippaava ääni, kun nousen istuimelta?
 - Ääni kuuluu, koska käsijarrua ei ole kytketty päälle tai virta-avain on yhä paikoillaan ja ON-asennossa. Poista avain aina, kun leikkuri ei ole käytössä.
- Milloin minun tulisi käyttää käsijarrua?
 - Kytke käsijarru päälle aina ennen kuin nouset pois leikkurin päältä.
- Voinko huuhdella leikkuulaitteen puutarhaletkulla?
 - Älä puhdistu tuotetta vedellä. Käytä puhdistuksessa puhallinta tai ilmakompressoria.

Sikkerhet, ytelse og pålitelighet har hatt topp prioritet ved konstruksjonen av denne sitteklipperen.

TILTENKT BRUK

Sitteklipperen er kun beregnet til utendørs bruk.

Dette produktet er ment for klipping av plener i private hager. Kniven skal rotere tilnærmedesvis parallelt med underlaget den kjøres over. Alle fire hjul skal ha kontakt med underlaget ved klipping.

Produktet skal kun brukes i husholdningsbruk av voksne som har mottatt tilstrekkelig opplæring om farene og de forebyggende tiltakene/handlingene som skal tas under bruk av det.

Den skal ikke brukes til noe annet formål

GENERELLE SIKKERHETSADVARSLER

⚠ ADVARSEL

Les alle sikkerhetsadvarsler og -instruksjoner, illustrasjoner og spesifikasjoner som følger med dette produktet. Unnlatelse av å følge dette kan forårsake ulykker som brann, elektrisk støt og/eller alvorlige personskade.

Ta vare på disse advarslene og instruksene for å se i dem senere.

Ordet "elektroverktøy" som brukes i sikkerhetsforskriftene nedenfor betegner både elektroverktøy med ledning og elektroverktøy uten ledning.

ARBEIDSOMRÅDETS SIKKERHET

- **Hold arbeidsområdet rent og godt belyst.** Uryddige og dårlig opplyste områder fører lett til ulykker.
- **Bruk ikke elektroverktøy i eksplosive omgivelser, for eksempel i nærheten av brennbare væsker, gass eller støv.** Gnister fra elektroverktøy kan sette fyr på dem eller få dem til å eksplodere.
- **Hold barn, besøkende og dyr unna når du bruker et elektroverktøy.** De kan avlede oppmerksomheten din og få deg til å miste kontroll over verktøyet.

ELEKTRISK SIKKERHET

- **Elektroverktøyet** skal passe til stikkkontakten. Ikke foreta noe på støpselet. Bruk aldri en adapter sammen med jordete elektroverktøy. Dermed unngår du faren for elektrisk støt.
- **Unngå all kontakt med jordete overflater (rør, radiatorer, komfyrer, kjøleskap o.l.).** Faren for elektrisk støt øker hvis en del av kroppen er i kontakt med jordete overflater.
- **Ikke utsett et elektroverktøy for regn eller fuktighet.** Faren for elektrisk støt øker hvis det kommer vann inn i elektroverktøyet.
- **Sørg for å holde kabelen i god stand. Hold aldri verktøyet i kabelen og dra aldri i kabelen for å trekke støpselet ut av stikkkontakten. Hold kabelen unna enhver varmekilde, olje, skarpe gjenstander og bevegelige deler.** Faren for elektrisk støt øker hvis kabelen er skadet eller floket.
- **Når du arbeider utendørs, må du kun bruke forlengelseskabler som er beregnet på utendørs bruk.** Dermed unngår du faren for elektrisk støt.
- **Hvis du ikke kan unngå å bruke verktøyet i fuktige omgivelser, skal du koble deg til et strømnett som er beskyttet med en reststrømminnretning.** Bruken av en reststrømminnretning begrenser faren for elektrisk støt.

PERSONLIG SIKKERHET

- **Vær alltid på vakt, følg godt med det du gjør og bruk sunn fornuft når du bruker et elektroverktøy. Bruk ikke elektroverktøyet hvis du er trett, påvirket av alkohol eller narkotika, eller hvis du tar medisiner.** Husk at uforsiktighet i en brøkdelen av et sekund er nok til at du kan skade deg selv alvorlig.
- **Bruk verneutstyr. Beskytt alltid øynene.** Alt etter omstendighetene, bør du også bruke støvmaske, sklisikre sko, hjelm eller hørselvern for å beskytte deg mot alvorlige personskader.
- **Unngå utilsiktet start. Påse at av/på bryteren står på "av" før du kobler verktøyet til en stikkontakt eller setter inn batteriet, og når du skal ta eller frakte verktøyet.** For å unngå all fare for ulykke, skal du ikke ha fingeren på av/på bryteren når du frakter verktøyet, ikke koble det til strømnettet eller sette inn batteriet hvis bryteren står på "på".



- **Ta ut skrunøkklene før du starter verktøyet.** Hvis en skrunøkkel blir liggende fast på en bevegelig del av verktøyet, kan det forårsake alvorlige personskader.
- **Pass på at du alltid holder balansen. Stå støtt på bena og strekk ikke armen for langt.** Hvis du står i en stabil arbeidsstilling, kan du lettere kontrollere verktøyet dersom det skjer noe uventet.
- **Bruk egnede klær. Bruk ikke løstsittende klær og smykker. Hold hår og klær unna bevegelige deler.** Løstsittende klær, smykker og langt hår kan fanges opp av bevegelige deler.
- **Hvis verktøyet er levert med et støvavsugingssystem, må du påse at det er riktig installert og at det brukes.** Du unngår dermed faren for ulykker.
- **Pass på at du ikke blir så vant til å bruke verktøyet at du begynner å ignorere sikkerheten rundt bruken av verktøyet. Uforsiktighet kan føre til alvorlig skade på et øyeblikk.**

BRUK OG VEDLIKEHOLD AV ELEKTRO-VERKTØY

- **Ikke bruk makt på verktøyet ditt. Bruk det verktøyet som egner seg til det arbeidet du skal utføre.** Elektroverktøyet er mer effektivt og sikkert hvis det brukes i det turtallet det er konstruert for.
- **Bruk ikke et elektroverktøy hvis du ikke får startet og stoppet det med av/på bryteren.** Et verktøy som ikke kan slås på og av ordentlig er farlig og må absolutt repareres.
- **Trekk støpselet ut av stikkkontakten og fjern eventuelt batteriet fra verktøyet hvis dette er mulig når du skal foretar justeringer, skifte tilbehør eller legge verktøyet bort.** Dermed reduseres faren for at verktøyet starter utilsiktet.
- **Rydd elektroverktøyene dine utenfor barns rekkevidde. La ikke personer som ikke kjenner verktøyet eller ikke har lest disse forskriftene bruke verktøyet.** Elektroverktøy er farlige når de brukes av uerfarne personer.
- **Hold elektroverktøy og tilbehør i god stand.** Kontroller de bevegelige delenes innstilling. Sjekk at ingen deler er brukket. Kontroller monteringen og alle andre elementer som kan virke inn på verktøyets drift. Hvis enkelte deler er

skadet, må du få verktøyet reparert før du tar det i bruk igjen. Mange ulykker skyldes dårlig vedlikehold av verktøyene.

- **Hold verktøyene dine rene og skarpe.** Et skjæreverktøy som er rent og godt skjerpet har ikke så lett for å låses fast og er lettere å kontrollere.
- **Bruk elektroverktøyet, tilbehørene, bitsene osv. i henhold til denne bruksanvisningen og ta hensyn til bruksforholdene og de ønskede bruksområdene.** For å unngå farlige situasjoner, skal du bare bruke elektroverktøyet til de arbeidsoppgavene det er konstruert for.
- **Hold håndtak og gripeflater tørre, rene og frie for olje og fett.** Hvis håndtak og gripeflater er glatte, hindrer dette sikker håndtering og kontroll over verktøyet i uventede situasjoner.

SPESIELLE SIKKERHETSFORSKRIFTER FOR OPPLADBARE VERKTØY

- **Lad verktøyets batteri kun opp med det ladeapparatet som anbefales av fabrikanten.** Et ladeapparat som egner seg til en viss batteritype kan forårsake brann hvis det brukes med en annen batteritype.
- **Det skal bare brukes en bestemt batteritype med et oppladbart verktøy.** Bruken av et annet batteri kan forårsake brann.
- **Når batteriet ikke er i bruk, skal det holdes unna metallgjenstander som binders, mynter, nøkler, skruer, spikre og andre små gjenstander som kan koble kontaktene til hverandre.** Kortslutning av batteriets kontakter kan medføre brannskade eller brann.
- **Unngå all kontakt med batterivæsken dersom batteriet lekker på grunn av misbruk. Hvis det skulle hende, må det berørte området skylles rikelig med rent vann.** Hvis du har fått væske i øynene, må du dessuten oppsøke en lege. Væske som kommer ut av batteriet kan forårsake sår eller brannskade.
- **Ikke bruk et batteri eller et verktøy som er skadet eller endret.** Batterier som er skadet eller modifisert, kan forårsake uforutsigbare hendelser og forårsake brann, eksplosjoner eller fare for personskade.





- Ikke utsett batteriet eller verktøyet for ild eller høy temperatur. Hvis de utsettes for ild eller temperaturer over 130°C, kan dette føre til eksplosjon.
- Følg alle oppladingsinstruksjoner. Ikke lad batteriet eller verktøyet når temperaturen er utenfor det området som er angitt i bruksanvisningen. Mangelfull lading og lading ved temperaturer utenfor det angitte området kan ødelegge batteriet og øke risikoen for brann.

VEDLIKEHOLD

- Reparasjoner må kun foretas av en kvalifisert tekniker og med originale reservedeler. Da kan du bruke elektroverktøyet trygt.
- Ikke foreta vedlikehold på et batteri som er skadd. Vedlikehold på batterier skal bare utføres av produsenten eller en autorisert serviceleverandør.

SIKKERHETSADVARSLER FOR SITTEKLIPPER

OPPLÆRING

- Når produktet brukes må sikkerhetsreglene følges. Les disse instruksjonene før du tar i bruk produktet for din egen sikkerhet og sikkerheten til personer som befinner seg i nærheten. Vennligst ta vare på instruksjonene for fremtidig bruk.
- Tillat kun ansvarlige voksne som er kjent med og forstår instruksjonene, å bruke produktet.
- Gjør deg kjent med styringen og riktig bruk av produktet.
- Bruk alltid verneutstyr. Bruk ikke produktet uten utkastertrakten på plass og i god stand. Bioklippdekslet må monteres riktig og fungere som det skal ved bioklipp.
- Vær oppmerksom på mulige farer når du ikke bruker produktet eller når du bytter tilbehør. Du reduserer dermed faren for brann, elektrisk støt og alvorlige kroppsskader.
- Kjør aldri med passasjerer eller barn, heller ikke når knivene har stanset. Det kan føre til fall og alvorlig skade, eller påvirke trygg bruk av produktet. Barn som har fått sitte på tidligere, kan plutselig dukke opp i klippeområdet for en ny tur og bli påkjørt eller rygget på av produktet.

- Husk at operatøren eller brukeren er ansvarlig for uhell og farer som andre personer og deres eiendom får påført.
- Du må aldri la barn eller personer med nedsatte fysiske, sensoriske eller mentale evner, eller personer som ikke er fortrolige med denne bruksanvisningen bruke, rengjøre eller vedlikeholde dette produktet. Lokale forskrifter fastlegger brukerens minstealder. Barn må ha riktig tilsyn for å sikre at de ikke leker med produktet.
- Følg produsentens anvisninger for riktig bruk og installasjon av tilbehør. Bruk kun tilbehør som har blitt godkjent av produsenten. Bruk av annet tilbehør kan øke risikoen for skade.
- Forstyrr aldri den tiltenkte funksjonen til sikkerhetsdeler, og reduser aldri beskyttelsen som sikkerhetsdeler gir. Sjekk regelmessig at sikkerhetsdelene fungerer som de skal.
- Endre aldri på sikkerhetsdeler. Sjekk regelmessig at sikkerhetsdelene fungerer som de skal.
- Bruk aldri produktet når personer, spesielt barn, eller kjæledyr er innenfor 15 m på grunn av faren for at gjenstander kan slenges ut etter kontakt med bladet.
- Bruk ikke produktet når det er fare for lynnedslag.
- Ikke bruk produktet ved dårlige lysforhold. Operatøren må ha klar sikt over arbeidsfeltet for å identifisere potensielle farer.
- Hold hender og føtter unna klippeområdet, som er under klipperdekket og inni utkastertrakten. Hold avstand til utkastertraktens åpning til enhver tid. Strekk deg ikke inn under gressklipperdekket.
- Følg instruksjonene for å skifte tilbehør.

KLARGJØRING

- Bruk tykke, lange bukser, jakke med lange ermer og sklisikkert fotteøy. Ha ikke på korte bukser og sandaler eller vær barføtt. Unngå å bruke klær som er løstsittende eller som har hengende snorer eller belter.
- Bruk alltid vernebriller med sideskjermer. Bruk ansiktsmaske ved støv.
- Gjenstander som treffes av kniven kan forårsake alvorlige personskader. Inspiser området der gressklipperen skal brukes



grundig, og fjern alle steiner, pinner, metallbiter, ståltråd, bein, leker og andre fremmedlegemer. Husk på at strenger eller vaier klemme seg fast i med bladene.

- Før bruk må du alltid se over produktet for å sjekke at kniver, knivmuttere og kutteren ikke er slitt eller skadet.
- Skift ut slitte eller skadde kniver og muttere for å bevare balansen.
- Skift ut slitte eller ødelagte deler før du tar i bruk produktet.
- Send aldri avklipp i noens retning. Planlegg klippemønsteret for å unngå at avklipp sendes mot tilstedeværende personer, veier, fortau, vinduer eller biler. Unngå å sprute kutt mot en vegg eller annet for dette kan føre til at gjenstander spretter tilbake mot operatøren.

BETJENING

- Produktet må ikke startes før brukeren sitter riktig på plass, bak rattet. Du må aldri starte produktet hvis:
 - Ikke alle fire hjul er på bakken
 - utkastertrakten er eksponert og ikke beskyttet av oppsamler eller bioklippdeksel
 - Ikke alle personer har hender og føtter unna kuttedelen
- Slå av knivene når produktet ikke er i bruk.
- Bruk aldri produktet i lukkede områder.
- Stans kniven når du passerer over gruslagte overflater, for å unngå utkast av stein og grus. Kjør produktet sakte og forsiktig for å unngå å miste kontrollen.
- Slå motoren forsiktig på i henhold til instruksjonene, og hold hender og føtter unna kniver. Ikke plasser hender eller føtter under roterende deler.
- Klipp ikke mens du rygger, med mindre det er helt nødvendig. Se alltid ned og bakover før og under rygging.
- Før og under rygging, se bakover og ned etter barn, voksne og kjæledyr.
- Vær ekstra forsiktig når du nærmer deg uoversiktlige hjørner, busker, trær eller andre objekter, inkludert overhengende busker som kan blokkere visningen.
- Senk farten før du svinger.
- Bakker er en stor faktor i situasjoner der man mister kontroll eller velter, som

kan føre til alvorlige personskader eller død. Ved bruk i skråninger må man være spesielt oppmerksom. Hvis du ikke kan rygge opp bakken, eller hvis bakken gjør deg utrygg, ikke klipp den. Bruk aldri produktet i hellinger over 15°. Ta en kopi av eller klipp ut "Bakkeveiledningen" bakerst i denne manualen og bruk den til å avgjøre om bakken din er for bratt for trygg bruk.

- Forsøk aldri å kjøre i bratte bakker eller klippe skråninger som er brattere enn 15°.
- Klipp opp og ned, ikke på tvers av bakker.
- Unngå hull, hjulspor, humper, steiner og andre skjulte gjenstander. Ujevnt terreng kan velte produktet. Fjern alle gjenstander som steiner, trær, grener osv.
- Bruk lav fart slik at du ikke må bråstanse eller akselererer ved en feil mens du kjører i bakker.
- Ikke klipp på vått gress i bakker. Dekkene kan miste grepet slik at du mister kontroll.
- Ha alltid retningsbryteren stilt på "fremover" når du kjører i nedoverbakker. Skift ikke til fri ved kjøring i nedoverbakker, det kan føre til at du mister kontroll over produktet.
- Unngå å starte, stanse eller snu i bakker. Hvis dekkene mister grepet, slå av knivene og fortsett sakte rett ned bakken.
- La alle bevegelser i bakker skje langsomt og gradvis. Gjør ingen brå endringer i fart eller retning, det kan føre til at produktet velter.
- Vær ekstra forsiktig når du bruker produktet med ekstrautstyr; de kan påvirke produktets stabilitet. Bruk ikke i bakker brattere enn 15°.
- Forsøk ikke å stabilisere produktet ved å sette foten på bakken.
- Ikke bruk produktet nær terrengfall, grøfter, meget bratte skråninger eller fyllinger. Produktet kan plutselig velte dersom et hjul går over kanten eller dersom kantene gir etter, det kan medføre alvorlige personskader eller død.

- La aldri et produkt som er i gang stå uten tilsyn. Slå alltid av knivene, sett på håndbremsen, stans motoren og fjern startnøkkelen før du går av.
- Vær oppmerksom på mulig trafikk når du kjører nær veier. Kjør ikke klipperen på veier.

EKSTRA ADVARSLER FOR LADERSIKKERHET

- Dette produktet er kun ment for husholdningsbruk.
- Ikke lad primærceller (ikke-oppladbare).
- Før hver bruk skal strømledningen sjekkes for skader. Hvis det er tegn til skade må ledningen erstattes av en kvalifisert person ved et autorisert servicesenter for å unngå fare.
- Lad produktet innendørs, på et sted med god ventilasjon. Ikke lad produktet i trange områder.
- Laderen har støpsel med jording og må settes i en tilsvarende stikkontakt som er riktig montert og jordnet i tråd med alle lokale lover og regler. Ikke bruk adaptere eller endre på det medfølgende støpselet. Hvis støpset ikke lar seg koble til kontakten, sørg for at et passende støpsel blir montert av en kvalifisert elektriker.

EKSTRA SIKKERHETSINSTRUKSER FOR BATTERI

⚠ ADVARSEL

For å unngå fare for en brann forårsaket av en kortslutning, personskader eller skader på produktet, må det forhindres at batteripakken eller laderen dyppes i væsker. Det må også sørges for at ingen væsker kan trenge inn i apparatene eller batteriene. Korroderende og ledende væsker som saltvann, visse kjemikalier og blekemidler eller produkt som inneholder blekemidler kan forårsake en kortslutning.

⚠ ADVARSEL

Risiko for brann, eksplosjon eller forbrenninger. Batteripakken må ikke demonteres, utsettes for temperaturer over 60°C eller brennes.

- Batteripakken inneholder syre. Hvis syren kommer i kontakt med hud eller klær, skyl straks med vann i ti minutter. Søk i tillegg medisinsk hjelp hvis væske kommer i kontakt med øynene.
- Ikke lad batteripakker som viser tegn på lekkasjer. Benytt korrekt avhending.

KLARGJØRING AV BATTERIPAKKEN FOR GJENVINNING

For å ta vare på naturressursene må batteriet resirkuleres eller avhendes på forsvarlig måte. Produktet inneholder blysyrebatterier. Lokal lovgivning kan forby kasting av blysyrebatterier i vanlig husholdningssøppel. Ta kontakt med det lokale renholdsverket for å få informasjon om tilgjengelige resirkulasjons- og/eller avhendingsalternativer.

⚠ ADVARSEL

Etter at batteripakken er fjernet må dens terminaler dekkes med kraftig tape. Ikke gjør forsøk på å ødelegge eller demontere batteripakken eller fjerne noen av dens komponenter. Blysyrebatterier må gjenvinnes eller kasseres på riktig måte. Berør aldri begge terminalene med en metallgjenstand og/eller kroppsdel idet det kan føre til kortslutning. Hold barn vekke fra batteripakken. Unnlattelse av å følge disse advarslene kan føre til brann og/eller alvorlig skade.

TRANSPORT OG LAGRING

- Slå av produktet, sett på håndbremsen og fjern startnøkkelen. Påse at alle bevegelige deler har stoppet helt. La produktet kjøle seg ned før oppbevaring eller transport i et kjøretøy.
- Fjern alle fremmedelemerter fra produktet. Lagres på et kjølig, tørt og godt ventilert sted som er utilgjengelig for barn. Startnøkkelen bør også fjernes og oppbevares på et annet sted, utilgjengelig for barn.
- Hold avstand til korroderende midler som havekjemikalier og avingsingssalt. Produktet skal ikke oppbevares utendørs.
- Vær ekstra forsiktig når du laster eller lossrer produktet på lastebil eller henger. Trakk

på fotbremsen ved behov for å kontrollere farten. Produktet vil rulle fritt dersom det flyttes på en skrånende overflate uten bruk av fot- eller håndbremsen. Når du laster eller lossrer produktet, ikke overstig den anbefalte maksimumshøyden på 15° helling.

⚠ ADVARSEL

Vær meget forsiktig når du løfter eller velter maskinen på siden for vedlikehold, rengjøring, lagring eller transport. Kuttebladet er skarpt. Hold alle kroppsdeler unna bladet når bladet ligger åpent.

TRANSPORT AV BLYSYREBATTERIER

Transporter batterier i henhold til lokale og nasjonale lover og forskrifter.

Følg alle spesialkrav med hensyn til emballering og merking når batterier transporteres av en tredjepart. Påse at ingen batterier kan komme i kontakt med andre batterier eller ledende materialer under transporten ved å beskytte åpne kontakter med isolasjon, ikkeledende lokk eller tape. Ikke transporter batterier som er sprukne eller som lekker. Kontakt speditøren for å få ytterligere råd.

SIKKERHETSADVARSLER VED TAUING

⚠ ADVARSEL

Vær svært forsiktig ved tauing av produktet. Kuttebladet er skarpt. Hold alle kroppsdeler unna bladet når bladet ligger åpent.

- Bruk sunn fornuft ved tauing. Å kjøre med for tung last i bakker er farlig. Dekkene kan miste grepet, slik at du mister kontroll over produktet.
- Følg produsentens anbefalinger for hjulvekter eller motvekter.
- Den totale tauede vekten må ikke overstige maksimal tauelast på 226,8 kg (500 pund).
- Tæuestyr må kun festes i tilhengerfestet.
- La aldri barn eller andre sitte eller stå på det tauede utstyret.
- Bremselengden øker med fart og vekten

til den tauede lasten. Kjør sakte og beregn ekstra tid og avstand til å stanse.

- Unngå skarpe svinger ved tauing. Vær ekstra forsiktig når du svinger eller kjører på ugunstig underlag. Vær forsiktig i revers.

VEDLIKEHOLD

⚠ ADVARSEL

Bruk kun produsentens originale reservedeler, tilleggsutstyr og påsatser. Dersom dette ikke følges, kan det forårsake personskader, dårlig funksjon og kan annullere garantien din.

⚠ ADVARSEL

Service krever meget stor forsiktighet og kunnskap og bør utføres kun av kvalifisert teknisk personale. Få utført service på produktet kun av et autorisert servicesenter. For service av maskinen, bruk kun produsentens originale reservedeler.

- Sørg for at produktet vedlikeholdes og er i god stand. Hold kniver skarpe og verneinnretninger på plass og i god stand. Bytt ut skadede, bøyd, sprukne eller ujevnt slitte kniver for å forebygge alvorlige personskader og skader på produktet og for å få best ytelse. Ubalanserte kniver lager vibrasjoner som kan skade motoren eller forårsake personskader.
- Gjør aldri justeringer eller reparasjoner mens motoren er i gang og knivene er i bevegelse.
- Fjern startnøkkelen fra produktet før lagring, service eller skifte av tilbehør. Slike forebyggende sikkerhetstiltak reduserer risikoen for at produktet startes ved et uhell.
- Slå av produktet, sett på håndbremsen og fjern startnøkkelen. Påse at alle bevegelige deler har stoppet helt:
 - før du lar produktet stå uten tilsyn (inkludert for å fjerne klipt gress).
 - før du fjerner en blokkering eller renser utkasterrøret
 - før kontroll, rensing og arbeider på produktet
 - før du fjerner bioklippdekslet
 - før du åpner dekslet til utkastertrakten

- etter at en fremmed gjenstand er truffet
 - Kontroller gressklipperen grundig for eventuelle skader.
 - Erstatt kniven dersom den på noen måte er skadet.
 - Reparer ev. skader før du starter gressklipperen og fortsetter med arbeidet.
- hvis produktet starter å vibrere unormalt (sjekk omgående)
 - Kontroller for skader, spesielt knivene
 - Erstatt kniven dersom den på noen måte er skadet.
 - erstatt eller reparer enhver skadet del
 - undersøk og stram alle løse deler
- Du kan foreta justeringer og reparasjoner som er beskrevet i denne brukermanualen. For andre reparasjoner må du henvende deg til et autorisert servicesenter.
- Kontakt et autorisert servicesenter for å skifte ut skadede eller uleselige merkelapper.
- Service på produktet og laderen må bare utføres av kvalifisert reparasjonspersonell. Service eller vedlikehold utført av ukyndig person kan føre til skader på brukeren eller på produktet.
- Kontroller all mutter, bolter og skruer med jevne mellomrom at de er skrudd fast for å sikre at produktet er i driftssikker stand.
- Knivboltene må være strammet til anbefalt dreiemoment.
- Sjekk bremsene før hver bruk og med jevne mellomrom under bruk. Juster og få utført service ved behov.
- Utkastertrakten er et fjærbelastet vern som dekker utkasteråpningen på klipperdekket og sender gress og avfall bort fra operatøren. Forsikre deg alltid om at motoren er slått av og at knivene har sluttet å bevege seg før du inspiserer, flytter, rengjør eller utfører vedlikehold på utkastertrakten.
- Erstatt slitte eller skadede deler av sikkerhetshensyn.
- Skift slitte og/eller skadede kniver og bolter i sett for å ivareta balansen.
- Vær forsiktig ved justering av maskinen

slik at du unngår å få fingrene i klem mellom bevegelige kniver og faste deler av maskinen.

- Knivbladene fortsetter å rotere i noen sekunder etter at motoren blir slått av. Når du behandler knivene, vær klar over at de kan fortsatt bevege seg selv om strømtilførselen er slått av. Hold alle kroppsdelene unna knivområdet til du er sikker på at knivene har sluttet å rotere.
- Kniven på produktet er skarpt. Vis varsomhet og bruk tykke arbeidshansker når du monterer, skifter, rengjør og sjekker hvordan skruene er festet.
- Etter hver bruk, rens produktet med en myk tørr klut. Enhver del som er skadet må repareres eller skiftes ut på fagmessig måte ved et autorisert serviceverksted.
- Hold produktet fritt for gress, løv og oppsamling av annet avfall.
- Bruk ikke vann til å rengjøre produktet. Bruk et blåseapparat, for eksempel kompressor eller løvblåser, til å rengjøre produktet.

FJERNING AV EN BLOKKERING

- Slå av produktet, sett på håndbremsen og fjern startnøkkelen. Sett klipperdekket til maksimal høyde. Påse at alle bevegelige deler har stoppet helt.
- Bruk alltid kraftige arbeidshansker når en blokkering undersøkes og fjernes. Knivene er skarpe, og selve blokkeringen kan være en skarp gjenstand.
- Sjekk og tøm utkastertrakten for blokkeringer.
- Fjern forsiktig eventuelle blokkeringer. Husk at knivene kan bevege seg under rengjøring.

GJENVÆRENDE RISIKO

Selv om utstyret brukes som beskrevet er det ikke mulig å unngå enhver gjenværende risiko. Følgende faresituasjoner kan oppstå ved bruk, og operatøren må legge spesielt vekt på å unngå følgende:

- Personskade på grunn av vibrasjon
 - Bruk alltid riktig verktøy for jobben. Bruk håndtakene og begrens arbeidstiden og eksponeringen.
- Skader skapt av støv.

- Bruk hørselvern og begrens eksponeringen.
- Personskader pga. kontakt med bladet
 - Hold ubeskyttede kroppsdeler unna knivene til enhver tid.
- Skade som forårsakes av gjenstander som slynges
 - Bruk alltid tilstrekkelig øyevern.

FAREREDUKSJON

Det foreligger rapporter om at vibrasjoner fra håndholdt verktøy for enkelte personer kan bidra til en tilstand som kalles Raynauds Syndrome. Symptomene kan omfatte følelsesløshet og gjøre fingrene bleke, vanligvis synlig ved eksponering til lave temperaturer. Arvelige faktorer, eksponering mot lave temperaturer og fuktighet, diett, røyking og arbeidspraksis blir alle ansett for å kunne bidra til å utvikle disse symptomene. Brukeren kan iverksette tiltak for mulig å redusere virkningene av vibrasjonene:

- Hold kroppen din varm i kaldt vær. Bruk hansker og hold hender og håndledd varme ved bruk av produktet. Det er rapportert at kaldt vær er en viktig faktor som bidrar til Raynauds Syndrome.
- Etter hver arbeidsperiode bør det utføres øvelser for å øke blodsirkulasjonen.
- Ta ofte pauser fra arbeidet som utføres. Begrens mengden av eksponering pr. dag.

Hvis du opplever noen av symptomene på denne tilstanden må du øyeblikkelig avbryte arbeidet og oppsøke en lege med disse symptomene.

⚠ ADVARSEL

Hvis man bruker verktøyet for lenge av gangen, kan det føre til eller forverre allerede eksisterende personskade. Når du bruker et verktøy over en lenger tidsperiode, husk å ta regelmessige pauser.

ESKENS INNHOLD

- Sitteklipper x1
- Seteenhet x1
- Verktøysett og tilbehørsboks

- Skrunøkkel x2
- Unbrakonøkkel x1
- Torx x1
- Zündschlüssel x2
- Bioklippdeksel x1
- Brukermanual x 1
- Hurtigstartveiledning x1
- Monteringsveiledning x1
- Monteringseske for rattstamme
- Lader x 1

MERK: For en fullstendig liste over rattstammedelene, se "Liste over løse deler".

SYMBOLER PÅ PRODUKTET



Sikkerhetsalarm



Les og forstå alle instruksjoner før du betjener produktet. Følg alle advarsler og sikkerhetsanvisninger.



Hold tilskuere, spesielt barn og dyr, på god avstand, det vil si minst 30 meter fra arbeidsområdet



Kjør aldri med barn eller andre personer, selv ikke når knivene er slått av.



Se alltid ned og bak deg før og under rygging, og forsikre deg om at ingen barn, voksne eller kjæledyr befinner seg i området.



Ikke kjør klipperen i helninger på mer enn 15°. Klipp opp og ned bakker, ikke på tvers.



Garantert lydnivå er 100 dB (A)



Hold hender og føtter vekke fra kniv og klippeområdet. Ikke trakk på klipperdekket eller utkastertrakten.



Hold tilskuere, spesielt barn og dyr, på god avstand, det vil si minst 30 meter fra arbeidsområdet



Vær oppmerksom på utkastede eller flygende gjenstander.

Kjør aldri med barn eller andre personer, selv ikke når knivene er slått av.



Se alltid ned og bak deg før og under rygging, og forsikre deg om at ingen barn, voksne eller kjæledyr befinner seg i området.



Hold hender og føtter vekke fra kniv og klippeområdet.



Bremsing
Trakk på fotbremsen for å stanse produktet.



Håndbrems



Akselerering
Trakk på gasspedalen for å kjøre fremover eller bakover.



Ladeport



Dette verktøyet samsvarer med samtlige standarder i EU-landet der det er kjøpt.



EurAsian samsvarsmerke



Produktet kan kjøres i revers med knivene i gang når du trykker på RMO-knappen og den røde lampen lyser. Se alltid ned og bak deg før og under kjøring i revers. Å klippe i revers anbefales ikke.



Dra i kniv-bryteren for å starte. Skyv kniv-bryteren ned for å slå av.



Cruisekontroll gjør at produktet kan holde konstant fart uten at operatøren må holde samme trykk på gasspedalen. Se "Innstilling av cruisekontroll".

Avfall fra elektriske produkter skal ikke kastes sammen med husholdningsavfall. Vennligst resirkulervedeksisterende avfallsbehandlingssted. Undersøk hos dine lokale myndigheter eller forhandler for råd om resirkulering.



Ukrainsk kontrolltegn



Bare for bruk innendørs



Sikring med forsinkelse



For å redusere risikoen for skade må brukeren lese og forstå brukermanualen før produktet tas i bruk.



Fare for brudd



For å redusere faren for skade på person, unngå kontakt med enhver varm overflate.



Unnlattelse av å bruke under tørre forhold og overse kravene til trygg praksis kan føre til elektrisk støt.



Fare for elektrisk støt.



Koble alltid laderen fra strømforsyningen før tilkobling til eller frakobling fra batteriet.



Ikke utsett verktøyet for regn eller bruk på steder med høy fuktighet.



Ikke utsett verktøyet for regn eller bruk på steder med høy fuktighet.



Hold utstyret vekk fra antenneskilder, gnister og flammer. Ikke dekk til ventilasjonsåpninger og sørg for tilstrekkelig ventilasjon under drift.



Hold vekk fra barn og uerfarne personer.



Bruk øyeskyttelse.



Batteripakken inneholder syre. Hvis syren kommer i kontakt med hud eller klær, skyll straks med vann i ti minutter.



Batteripakken inneholder syre. Hvis syren kommer i kontakt med hud eller klær, skyll straks med vann i ti minutter.



Hvis væske kommer inn i øynene må de skylles med store mengder rent vann i minst 10 minutter, dernest må lege oppsøkes.



Produktet inneholder blysyrebatterier. Lokal lovgivning kan forby kasting av blysyrebatterier i vanlig husholdningssøppel. Ta kontakt med det lokale renholdsverket for å få informasjon om tilgjengelige resirkulasjons- og/eller avhendingsalternativer.



Forsikre deg om at utkastertrakten er helt lukket før du bruker produktet.



Ikke bruk produktet når utkastertrakten er åpen.



Kjøring av klipperen



Sett i startnøkkelen og vri nøkkelen til ON.



Vri retningsbryteren til "fremover" (F).



Tråkk på fotbremsen for å slå av håndbremsen.



Dra kniv-bryteren opp for å slå på knivene.



Tråkk på gasspedalen for å klippe plenen.



Klipping i revers



Tråkk på fotbremsen, og vent til klipperen har stoppet helt.



Skyv kniv-bryteren ned for å slå av knivene.



Trykk på reversmodus-knappen.



Dra kniv-bryteren opp for å slå på knivene.



Vri retningsbryteren til "revers" (R).



Tråkk på gasspedalen, og klipp i revers etter behov.



Parkering av klipperen



Stans klipperen på et flatt, jevnt underlag. Stans ikke produktet i bakker.



Tråkk på fotbremsen og sett på håndbremsen.



Vri retningsbryteren til "fri" (N).



Skyv kniv-bryteren ned for å slå av knivene.



Vri nøkkelen til OFF.



Stans av klipperen



Skyv kniv-bryteren ned for å slå av knivene.



Tråkk på fotbremsen.



Sett på håndbremsen.



Vri nøkkelen til OFF.



Fjern startnøkkelen.

SYMBOLER I DENNE MANUALEN



Deler eller tilbehør som er tilgjengelige separat



Merk



Advarsel

Følgende signalord og meninger har til hensikt å forklare graden av risiko forbundet med bruken av dette produktet.

FARE

Indikerer en øyeblikkelig farlig situasjon, som, hvis ikke unngås, kan resultere i død eller alvorlig personskade.

ADVARSEL

Indikerer en potensiell farlig situasjon, som, hvis ikke unngås, kan resultere i død eller alvorlig personskade.

FORSIKTIGHETSREGEL

Indikerer en potensiell farlig situasjon, som, hvis ikke unngås, kan resultere i mindre eller moderat personskade.

FORSIKTIGHETSREGEL

(Uten sikkerhetssymbol) Indikerer en situasjon som kan resultere i skader på eiendom.

MONTERING

⚠ ADVARSEL

For å redusere risikoen for skade må du lese og forstå brukermanualens monteringsanvisning før forsøk på å montere produktet. Ta vare på denne manualen for fremtidige referanser.

SIKKERHETSREGLER FOR MONTERING

⚠ ADVARSEL

Følg strengt alle spesifikasjoner angående stramming med momentnøkkel. Hvis denne advarselen ikke følges, kan det føre til alvorlig personskade.

All informasjon, illustrasjoner, fotografier og spesifikasjoner i denne manualen er basert nyeste tilgjengelige informasjon på publiseringstidspunktet. På grunn av forbedringer eller andre endringer, kan det være enkelte avvik i denne manualen. Vi forbeholder oss retten til når som helst å gjøre produktendringer, uten forvarsel og uten å pådra oss forpliktelser til å gjøre samme eller lignende endringer på produkter som er blitt produsert eller solgt på et tidligere tidspunkt.

- Alle som forsøker å montere produktet må ha tilstrekkelig opplæring og erfaring. Les denne manualen nøye og følg alle monteringsanvisninger denne manualen.
- All montering må fullføres mens produktet står på et jevnt underlag.

VERKTØY SOM KREVES

Følgende verktøy trengs til montering:

- Momentnøkkel
- Dekktrykkmåler
- Pipenøkkel
 - 12 mm socket
 - 13 mm socket
 - 6 mm hex bit

OPPAKKING

Se fig. 1.

- Fjern boltene som fester hjørne- og sidestøttene i rammen, og løft vekk støttene.
- Klipp over nylonremmene som sikrer for- og bakhjulaksene til rammen.

- Fjern eskene med løse deler, monteringsverktøy og dokumentasjon.
- Fjern og legg til side all tilgjengelig emballasje og innpakning fra maskinen og delene. Ikke kast emballasjen før det er foretatt en grundig inspeksjon og gjennomført en tilfredsstillende prøve av produktet.

⚠ ADVARSEL

Hvis noen deler på listen over løse deler allerede er montert til produktet når du pakker det ut, sjekk at de er montert riktig, skrudd ordentlig til og har riktig dreiemoment (der det er aktuelt) før du går videre til neste monteringsstrinn. Bruk av et produkt som ikke er korrekt montert kan føre til alvorlig personskade.

- Inspiser innholdet grundig og påse at det ikke har oppstått skader under transporten.
- Hvis deler er skadet eller mangler, ta kontakt med et autorisert servicesenter.
MERK: Produktet skal monteres stående på rammebunnen. Når monteringen er ferdig, sett klipperdekket til maksimal høyde, plasser en rampe ved siden av rammebunnen, og kjør produktet sakte og forsiktig av rammen.

⚠ ADVARSEL

Vær forsiktig når du kjører produktet av rammen, og trakk på fotbremsen om nødvendig for å kontrollere farten. Produktet vil rulle fritt dersom det flyttes på en skrånende overflate uten bruk av fot- eller håndbremsen. Å la være å følge disse disse instruksjonene kan føre til tap av kontroll og lede til død, alvorlige personskader eller materielle skader.

⚠ ADVARSEL

Hvis ingen rampe er tilgjengelig, rygg produktet sakte og forsiktig av rammen mens du ser ned og bak deg. Å kjøre produktet fremover ut av rammen uten rampe kan forårsake skader på klipperdekket.

EN
FR
DE
DA
SV
FI
NO

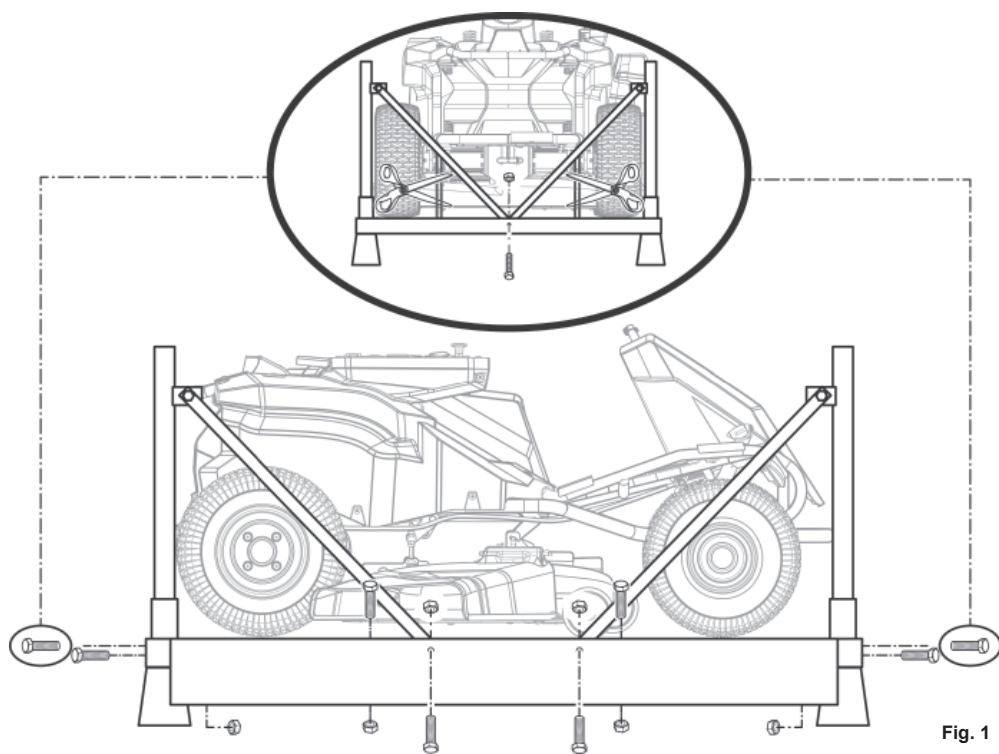


Fig. 1

LISTE OVER LØSE DELER

1. Seteenhet x1
2. Deler til rattstamme
Øvre styreaksel x1
Bolter x 2
Rattstamme x1
Deksel til rattstamme x1
Flensskiver x2
Fjær x 1
Rattnav x1
Ratt x1
Flat skive x 1
Flensmutter x2
Rattdeksel x1

3. Lader x 1
4. Støtfanger x 1
5. Zündschlüssel x3

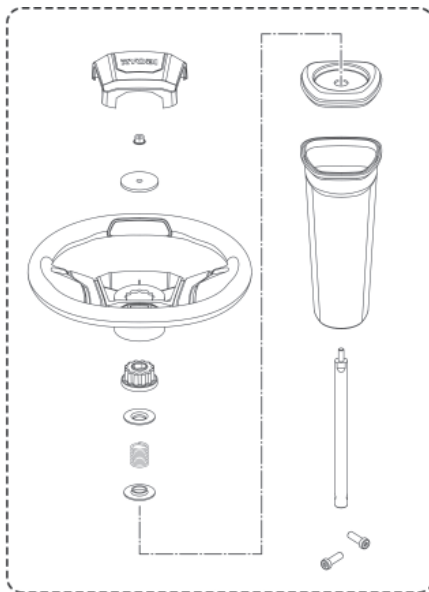
⚠ ADVARSEL

Hvis noen av delene er skadd eller mangler, monter ikke produktet før delene er erstattet med nye originaldelar fra produsenten. Montering av produktet med skadde, manglende eller feil deler kan føre til alvorlig personskade.

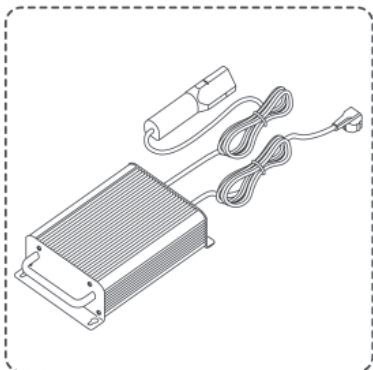
1.



2.



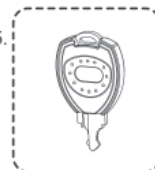
3.



4.



5.



⚠ ADVARSEL

Følg strengt alle spesifikasjoner angående strømming med momentnøkkel. Hvis denne advarselen ikke følges, kan det føre til alvorlig personskade.

⚠ ADVARSEL

Ikke forsøk å modifisere dette produktet eller Alle slike forandringer eller modifikasjoner er feil. Hvilken som helst forandring eller modifikasjon eller feilaktig bruk kan resultere i farlige forhold som leder til mulig alvorlig personskade.

⚠ ADVARSEL

For å forhindre utilsiktet oppstart som kan forårsake alvorlig personskade, fjern alltid startnøkkelen fra produktet ved montering av delene.

TILKOBLING AV BATTERIET

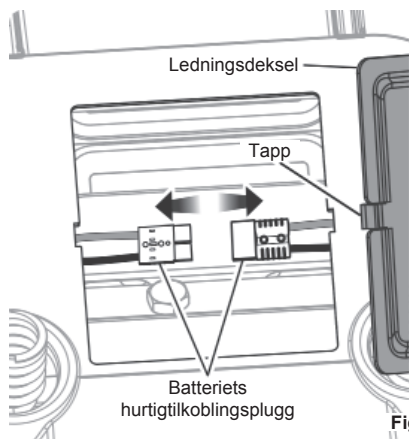
Se fig. 2.

Når det sendes fra fabrikken, er produktets batterier alltid koblet fra.

For å koble til:

1. Trykk på tappene på ledningsdekselet, og løft og fjern dekelet.
2. Koble de to endene av batteriets hurtigtilkoblingsplugg sammen.

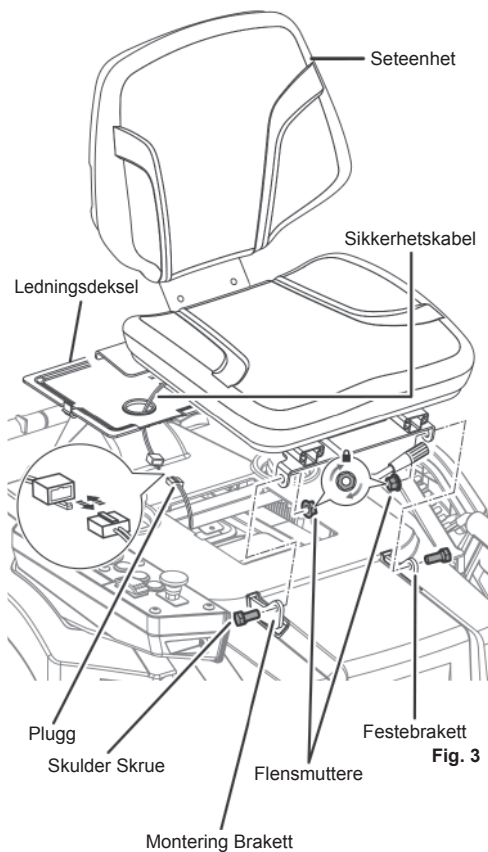
MERK: Før du setter tilbake ledningsdekselet, monter setet som beskrevet i neste avsnitt.



MONTERING AV SETET

Se fig. 3.

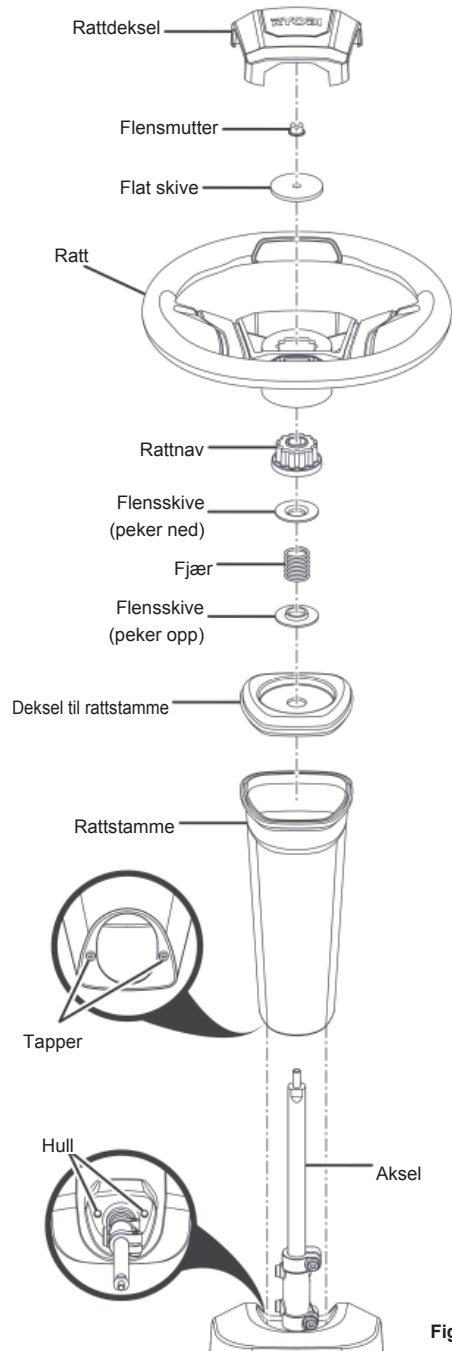
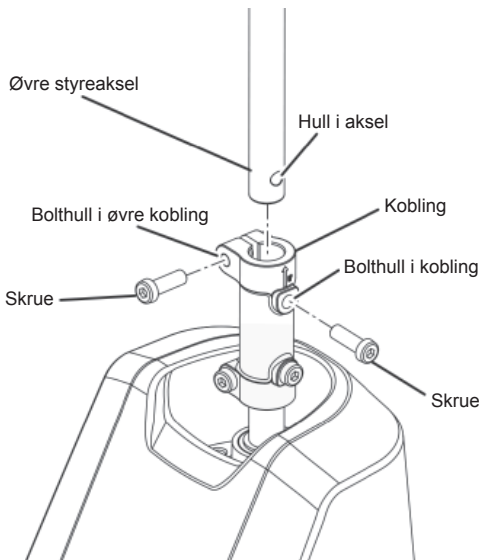
1. Fjern boltene og flensmutterne fra setets monteringsbraketter.
2. Plasser setedelen på monteringsbrakettene, med hullene som vist.
3. Sett tilbake boltene og flensmutterne og skru godt til.
4. Før setets sikkerhetskabel gjennom hullet i ledningsdekselet, og koble pluggen til klipperen.
5. Sett tilbake ledningsdekselet, og forsikre deg om at det er sikkert festet.



MONTERING AV RATTSTAMMEN

Se fig. 4 - 5.

1. Sett øvre styreaksel i koblingen, roter om nødvendig for å få hullet i akselen på linje med skruetaket i koblingen.
2. Sett i to bolter, og stram til 20 Nm moment.
3. Sett rattstammen over akselen. Legg merke til tappene nederst på rattstammen som passer i hullene i åpningen, og sjekk at rattstammen sitter trygt på plass.
4. Sett på dekselet til rattstammen så det sitter sikkert på plass. Øvre styreaksel stikker gjennom åpningen til dekselet.
5. Sett flensskiven (flens opp), fjæren, den andre flensskiven (flens ned) og rattnav på øvre styreaksel.
6. Forsikre deg om at klipperens hjul peker rett fremover, og sett deretter på rattet over navet.
7. Sett på den flate skiven og flensmutteren. Stram mutteren godt til 25 Nm moment.
8. Sett på rattdekselet.



MONTERING AV STØTFANGEREN

Se fig. 6.

1. Fjern flensmutterne og de sekskantede boltene som fester støtfangerdekslet til klipperrammen.
2. Sett støtfangeren i åpningene foran på klipperrammen, som vist.
3. Sett hullene i støtfangeren på linje med hullene i klipperrammen og i støtfangerdekslet. Sett tilbake de sekskantede boltene og flensmutterne og skru godt til.

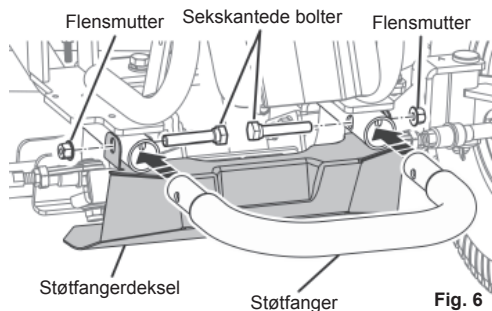


Fig. 6

LADING AV PRODUKTET

Se fig. 7 - 8.

Klipperbatterier må lades i 24 timer før de brukes for første gang. Sjekk batterinivåindikatoren for å se om klipperbatteriene er fullt ladet.

For best resultat:

- Ikke lad i områder med sterk varme eller kulde. Batteriene lader best i temperaturer fra 0 °C til 40° C.
- Lad aldri et frossent batteri.
- Monter eller plasser laderen et sted med tilstrekkelig lufting, uten å dekke til kjøleribbene.
- Forsikre deg om at både lader- og klippertilkoblinger er rene og frie for smuss og avfall.

For å lade:

1. Sett laderstøpselet i ladeporten på klipperen, og sjekk at det er riktig koblet til.
2. Koble laderen til et strømuttak med vanlig husholdningsstrøm på 220–240 VAC,

50/60 Hz. Batteriene skal begynne å lade automatisk.

3. Når du er klar for å klippe, koble først laderen fra strømforsyningen og deretter laderen fra klipperen.

MERK: Laderen har støpsel med jording og må settes i en tilsvarende stikkontakt som er riktig montert og jordet i tråd med alle lokale lover og regler. Ikke bruk adaptere eller endre på det medfølgende støpselet. Hvis støpslet ikke lar seg koble til kontakten, sørg for at et passende støpsel blir montert av en kvalifisert elektriker.

Når den er tilkoblet strøm, lyser LED-indikatoren på laderen for å vise laderens status. Se følgende tabell for en forklaring av LED-indikatorens betydning.

⚠ ADVARSEL

Skru alltid strømknappen til OFF og fjern startnøkkelen når du lader produktet og når produktet ikke er i bruk.

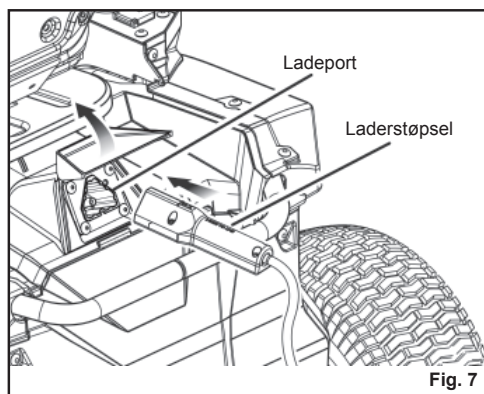


Fig. 7

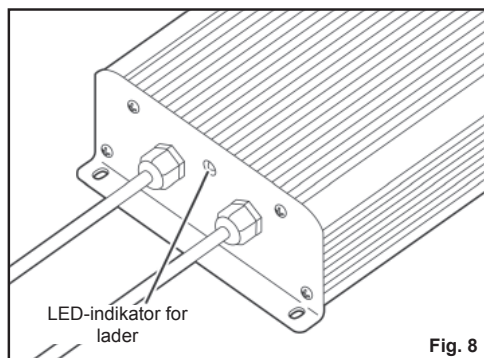


Fig. 8

⚠ ADVARSEL

La laderen være koblet til klipperen når den ikke er i bruk. Hvis det ikke er mulig å la klipperladeren være koblet til, pass på at batteriene lades helt opp minst én gang i måneden.

⚠ ADVARSEL

Lad produktet innendørs, på et sted med god ventilasjon. Ikke lad produktet i trange områder.

LED-INDIKATOR FOR LADER

Laderstatus	Koblet til		LED		Handling
	Strømforsyning	Gressklipper	Lader	Gressklipper	
Standby	Ja	Nei	På	Av	Lader klar til opplading av et batteri.
Under opplading	Ja	Ja	På	Langsom blinking	—
Laderfeil	Ja	Ja	Av	Hurtig blinking	Batteritemperatur, batterikapasitet eller lader kan være defekt.
	<ul style="list-style-type: none">• Hvis LED-statusen viser feil, vent i ca. 15 minutter for at batteriet og laderen skal kjøle seg av.• Hvis LED-status gjentas enda en gang, tilbakestill laderen eller sett inn batteriet på nytt.• Hvis en annen lader lader normalt, kan det hende at laderen er defekt.• Hvis et annet batteri lades normalt, kan det hende at batterikapasiteten har sviktet.				
Fullladet	Ja	Ja	På	På	Hurtiglading-modusen er slutt, laderen fortsetter å lade.
Mellomlås	Nei	Ja	Av	Hurtig blinking	Pluggen er fortsatt koblet til klipperen. Klipperen kan ikke startes.
Problem	Ja	Ja	På	Hurtig blinking	Batteripakken kan være defekt.
	<ul style="list-style-type: none">• Hvis LED-statusen viser defekt, tilbakestill laderen eller sett inn batteriet på nytt.• Hvis lysene fortsatt tyder på et problem, forsøk å bruke laderen med et annet batteri.• Hvis et annet batteri kan lades opp igjen normalt, kvitt deg med det defekte batteriet (se avsnittet vedlikehold).				

SISTE SJEKK

EN
FR
DE
DA
SV
FI
NO

SJEKK LUFTRYKK I DEKKENE

Sjekk luftrykk i alle dekkene før bruk. Feil luftrykk påvirker håndtering, styrerespons, grep, dekkenes levetid, jevn klipping og operatørens komfort. Forsikre deg om at dekkene er fylt til anbefalt trykk (1,6 bar).

MERK: Mål eller juster luftrykket bare når dekkene er kalde.

⚠ ADVARSEL

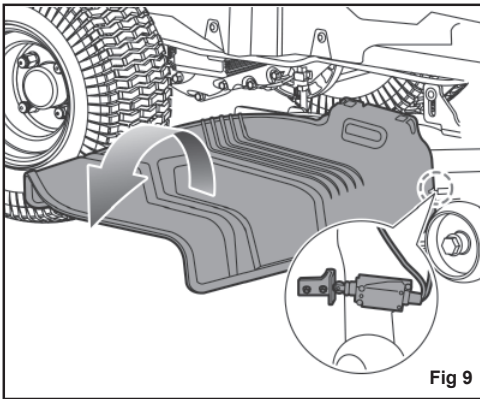
Følg nøye med på dekktrykket når du fyller luft. For mye luft i dekket kan føre til at dekket sprekker, noe som kan forårsake alvorlige personskader.

SJEKK UTKASTERTRAKTENS SPERRE-SYSTEM

Se fig. 9.

Før du bruker produktet, sjekk at utkastertrakten er helt lukket. Utkastertrakten har et sperresystem som stanser knivene hvis utkastertrakten åpnes mens knivene er i bevegelse.

Slutt å bruke produktet og få utført service hos et autorisert servicesenter hvis knivene ikke stanser når utkastertrakten løftes under bruk av en hindring.



TEST DØDMANNSFUNKSJONEN

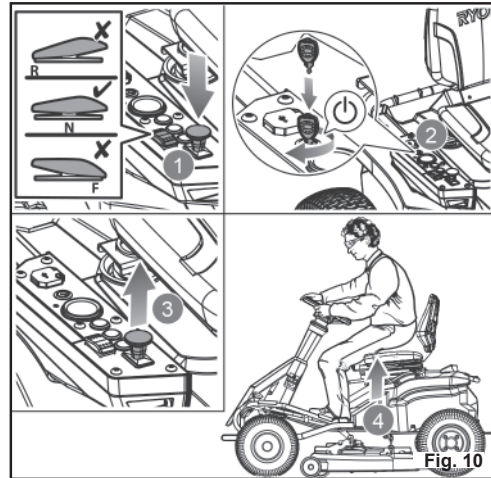
Se fig. 10.

Dødmannsfunksjonen stanser knivene hvis operatøren forlater klipperen mens knivene er i gang. Test systemet før hver bruk for å forsikre deg om at det fungerer.

1. Forsikre deg om at retningsbryteren står på "fri" (N), og at kniv-bryteren er nede.
2. Sett i startnøkkelen og vri nøkkelen til ON.
3. Dra kniv-bryteren opp for å slå på knivene.
4. Reis deg kort, uten å gå av klipperen.

Knivene skal stanse innen fem sekunder. Hvis knivene ikke stanser, kontakt et autorisert servicesenter.

Ikke bruk produktet før dødmannsfunksjonen er reparert.



FUNKSJONER

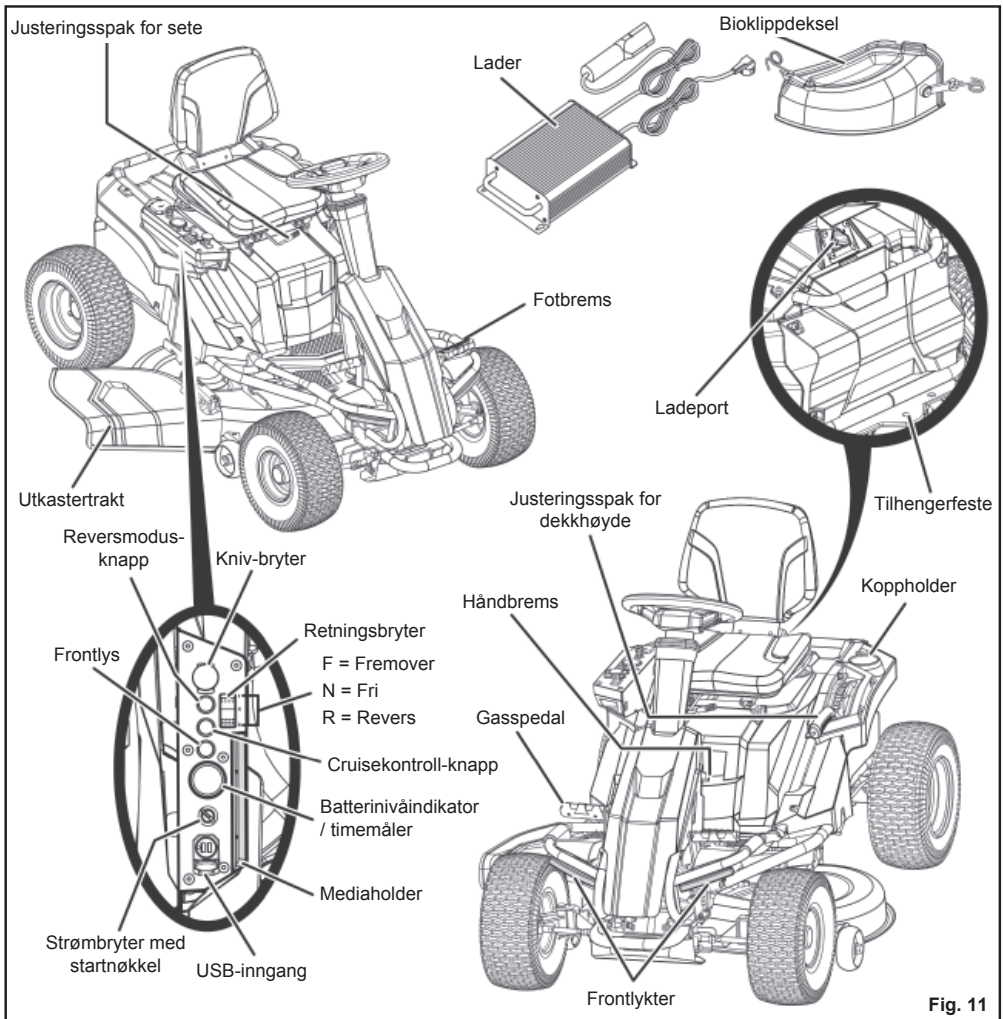


Fig. 11

KJENN PRODUKTET DITT

Se fig. 11.

Av hensyn til sikkerheten, les og forstå informasjonen om produktet og i denne manualen. Gjør deg kjent med alle funksjoner og sikkerhetsregler før du bruker produktet.

GASSPEDAL

Gasspedalen kontrollerer produktets fart.

BATTERINIVÅINDIKATOR / TIMEMÅLER

Batterinivåindikatoren viser hvor mye batteriladning som gjenstår. Timemåleren viser det totale antall timer produktet har vært brukt (nøkkel på ON), av vedlikeholdsformål.

KNIV-BRYTER

Kniv-bryteren starter eller stanser knivbladene. Dra kniv-bryteren opp for å slå på knivene. Skyv bryteren ned for å stanse knivbladene.

MERK: For å klippe i revers, må reversmodus-knappen også være aktivert.

FOTBREMS

Fotbremsen bremser eller stanser produktet.

LADER

Laderen lader opp klipperens batterier. Den kan henges på nøkkelhenger for praktisk, plassbesparende oppbevaring. Når den henger i nøkkelhullopphenget, bruk minst én ekstra skrue i flensen for å holde den på plass. Heng alltid opp slik at laderens LED-statuslampe er synlig under lading.

CRUISEKONTROLL-KNAPP

Cruisekontroll-knappen gjør at produktet kan fortsette å bevege seg fremover uten at man må trække på gasspedalen.

JUSTERINGSSPAK FOR DEKKHØYDE

Justeringsspaken for dekkhøyde hever eller senker klipperdekket.

RETNINGSBRYTER

Retningskontrollbryteren styrer hvilken retning klipperen beveger seg i. Tilgjengelige innstillinger er fremover (F), fri (N) og revers (R).

FRONTLYS

Frontlykt-knappen skrur frontlykten på og av.

MEDIAHOLDER

Media-holderne gir praktisk plass å oppbevare mobiltelefon eller MP3-spiller når du lader via USB-porten.

BIOKLIPPDEKSEL

Bioklippdekselet dekker utkastertrakten, slik at kniven kan skjære to ganger for finere avklipp.

HÅNDBREMS

Håndbremsen låser produktet i bremseposisjon.

STRØMBRYTER MED STARTNØKSEL

Strømknappen skrur produktet på og av. Startnøkkelen må stå i før strømknappen kan brukes. Når nøkkelen står i tilbehørsposisjonen, kan strømknappen også brukes til å drive valgfritt produsent-godkjent tilbehør til klipperen.

DØDMANNSFUNKSJON

Dødmannsfunksjonen stanser knivene hvis operatøren forlater klipperen mens knivene er i gang.

JUSTERINGSSPAK FOR SETE

Justeringsspaken for setet beveger setet til foretrukket posisjon.

UTKASTERTRAKTENS SIKKERHETSSPERRESYSTEM

Utkastertrakten sikkerhetssperresystem stanser knivene hvis utkastertrakten åpnes mens knivene er i bevegelse.

USB-INNGANG

USB-ladeporten gir lading på 5 V DC og opptil 1 A for mobiltelefon, MP3-spiller eller andre USB-enheter. Sjekk bruksanvisningen for enheten din for spesifikke ladekrav.

Koble den ene enden av en USB-kabel (medfølger ikke) i enheten din og den andre til USB-ladeporten på produktet for å lade enheten.

MERK: USB-porten får strøm bare når startnøkkelen står på ON.

⚠ ADVARSEL

Forsøk på å lade enheter som trekker mer enn 1 A kan skade USB-ladeporten og klipperen. Lukk alltid USB-dekselet når det ikke er i bruk, for å unngå rusk i porten.

⚠ ADVARSEL

Bruk aldri hodetelefoner eller elektroniske enheter som smarttelefoner eller nettbrett når du bruker produktet. Svikt i konsentrasjonen under bruk av produktet kan føre til alvorlige personskader på operatøren eller tilstedeværende personer.

TILHENGERFESTE

Tilhengerfestet kan brukes til å taue last på maksimalt 226,8 kg (500 pund).

⚠ ADVARSEL

Det er viktig å utøve varsomhet selv om man er godt kjent med verktøyene som benyttes. Husk at uforsiktighet i en brøkdell av et sekund er nok til at du kan skade deg selv alvorlig.

⚠ ADVARSEL

Bruk alltid vernebriller med sideskjermer. Hvis du ikke gjør dette, kan det føre til at du får gjenstander i øynene, noe som kan skade deg alvorlig.

⚠ ADVARSEL

Slå av produktet, sett på håndbremsen og fjern startnøkkelen. Forsikre deg om at alle bevegelige deler har stanset fullstendig før du monterer deler, gjør justeringer, rengjør produktet eller lar produktet stå uten tilsyn. Dette forebygger utilsiktet start, som kan føre til alvorlige personskader.

⚠ ADVARSEL

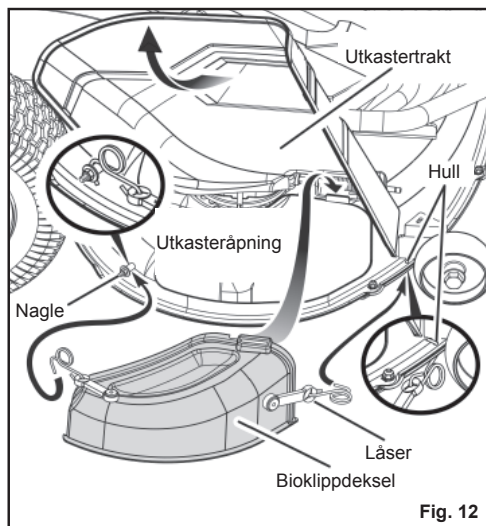
Sjekk alltid produktet for manglende eller skadde deler. Sjekk alltid knivene for skader og ujevn eller større slitasje før bruk. Bruk av dette produktet med skadede eller manglende deler kan føre til alvorlig personskade.

MONTERING AV BIOKLIPPDEKSELET

Se fig. 12.

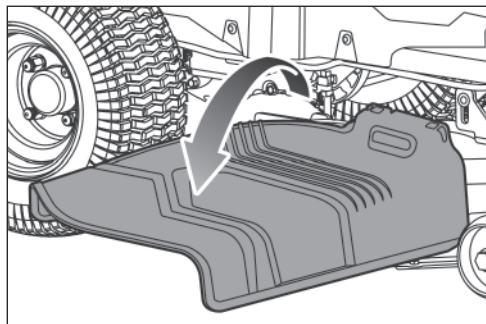
Produktet er konfigurert for sideutkast ved levering. Hvis du foretrekker bioklipp:

1. Løft utkastertrakten.
2. Plasser bioklippdekselet på tappen på klipperhuset.
3. Koble bioklippdekselets låser på de to punktene på gressklipperdekk-huset.
4. Slipp utkastertrakten.



⚠ ADVARSEL

Forsikre deg om at utkastertrakten lukkes helt når du er ferdig. Å unnlate å gjøre det kan føre til alvorlig personskade.



SETTE PÅ HÅNDBREMSEN

Se fig. 13.

For å sette på håndbremsen:

1. Vri retningsbryteren til "fri" (N).
2. Trakk på fotbremsen og hold den inne.
3. Løft håndbremsen helt opp og hold.
4. Slipp fotbremsen.
5. Slipp håndbremsen.

For å slå av håndbremsen:

- Trakk på og slipp fotbremsen.

⚠ ADVARSEL

La aldri produktet stå uten tilsyn når motoren er i gang. Sjekk at håndbremsen er på og at nøkkelen er fjernet. Hvis håndbremsen ikke er på, kan produktet begynne å bevege seg, og hvis nøkkelen står i, kan det føre til uautorisert bruk som kan føre til alvorlige personskader.

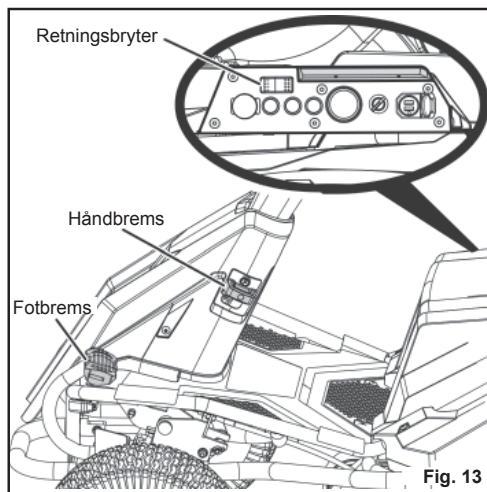


Fig. 13

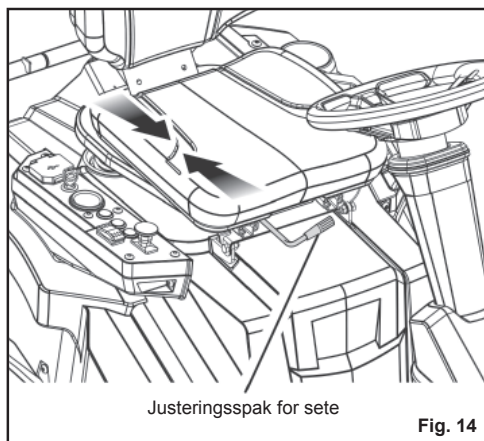


Fig. 14

TILPASSE SETET

Se fig. 14.

Tilpass setestillingen for å sikre at brukeren kan få god kontakt med gasspedalen og fotbremsen før bruk av produktet.

For å flytte setet:

1. Sett deg på setet, og dra i justeringsspaken for setet.
2. Skyv setet til foretrukket stilling mens du holder på spaken.
3. Slipp spaken, og forsikre deg om at setet er låst i stillingen før du bruker produktet.

⚠ ADVARSEL

Forsikre deg om at setet er låst på plass før du bruker klipperen. Et sete som ikke er sikret kan føre til at operatøren mister kontroll over klipperen og lede til død eller alvorlige personskader.

INNSTILLING AV KLIPPERDEKKETS HØYDE

Se fig. 15.

Før du bruker produktet, sett dekkhøyden til den klippestillingen som passer plenen din best.

MERK: For å unngå snauklipping på høye steder må klipperdekkhjulene være stilt inn på ca. 1,27 cm (1/2 tomme) over bakken når klipperen er på ønsket klippehøyde. Ved levering er klipperdekkhjulene stilt inn på 3,81 cm (1,5 tomme). Det kan hende at du må endre høyden på klipperdekkhjulene, avhengig av ønsket klippehøyde. Se "Justering av klipperdekkhjulene" i denne manualen for mer informasjon.

For å justere klipperdekkets høyde:

1. Stans produktet og slå av knivene.
2. Vri startnøkkelen til OFF og sett på håndbremsen.
3. For å heve klipperdekket, grip høydejusteringsspaken, skyv til venstre for å løsne, trekk bakover og skyv til høyre for å feste.
4. For å senke klipperdekket, grip høydejusteringsspaken, skyv til venstre for å løsne, skyv fremover og så til høyre for å feste.

⚠ ADVARSEL

Hold godt tak i justeringsspaken for dekkhøyde når du stiller inn dekkhøyden, og slipp først når den er sikkert plassert på ønsket sted. Hvis spaken slippes for tidlig, kan det medføre risiko for at operatøren klemmer eller skader hånden.

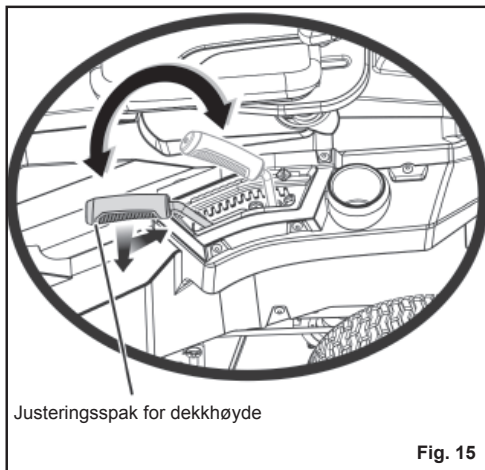


Fig. 15

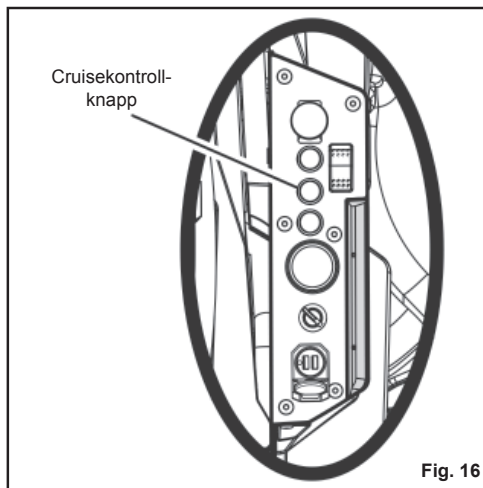


Fig. 16

BRUKE PRODUKTET

Se fig. 17 - 18.

⚠ ADVARSEL

Tøm området for tilstedeværende personer før du bruker produktet. Hvis noen går inn på klippeområdet, stans umiddelbart og ikke klipp igjen før personen(e) forlater området.

INNSTILLING AV CRUISEKONTROLL

Se fig. 16.

Cruisekontroll gjør at produktet kan holde konstant fart uten at operatøren må holde samme trykk på gasspedalen. Den bør bare brukes ved kjøring fremover på relativt jevnt, rett underlag, og aldri i bakker eller ulendt terreng.

For å stille inn cruisekontroll:

Når produktet fremover, trakk på gasspedalen til du oppnår ønsket hastighet.

1. Trykk på cruisekontroll-knappen. Lyset rundt knappen tennes for å vise at cruisekontrollen er aktiv.
2. Slipp gasspedalen. Klipperhastigheten skal være konstant.

For å avslutte cruisekontroll:

1. Gi gasspedalen et trykk.
2. Slipp fotbremsen, eller trykk på cruisekontroll-knappen igjen. Lyset rundt knappen slukkes for å vise at cruisekontrollen ikke lenger er aktiv.

Før du starter produktet:

- Forsikre deg om at området er tomt for barn, voksne og kjæledyr.
- Tøm området for gjenstander som kan kastes av klipperknivene.
- Sjekk bremsen.
- Sjekk dekktrykket.
- Sjekk at ingen fester er løse.
- Sjekk at alle verneinnretninger er på plass og fungerer som de skal.
- Fjern avfall fra klipperen.
- Sjekk utkastertraktens sikkerhetssperresystem
- Test dødmannsfunksjonen.
- Tilpass setet til ønsket stilling.
- Sjekk batteriets ladenivå.

⚠ ADVARSEL

Når batterinivået når den røde sonen på indikatoren, stanser knivene automatisk. Returner straks til ladestedet, og lad opp klipperen. Å fortsette å klippe når batterinivået er i rød sone, fører til at klipperen strandede unna ladeområdet.

MERK: Hvis klipperen strandede borte fra laderen, sett retningsbryteren i fri (N), og skyv klipperen tilbake til ladestedet.

Klipping:

1. Sett klipperdekket til maksimal høyde.
2. Sett i startnøkkelen og vri nøkkelen til ON.
3. Slå av håndbremsen.
4. Vri retningsbryteren til "fremover" (F) og kjør til ønsket klippested.

⚠ ADVARSEL

Forsikre deg om at du har stilt inn ønsket bevegelsesretning med retningsbryteren før du trækker på gasspedalen. Ellers risikerer du å kjøre klipperen til en utilsiktet retning, noe som kan føre til tap av kontroll eller til ulykker med dødsfall, alvorlige personskader eller materielle skader.

5. Stans klipperen, sett på håndbremsen og vri startnøkkelen til OFF.
6. Still klippeplattformen til foretrukket stilling.
7. Vri startnøkkelen til ON og slå av håndbremsen.
8. Dra kniv-bryteren opp for å starte knivene, og trakk på gasspedalen for å klippe plenen.

⚠ ADVARSEL

Vær forsiktig når du krysser gruslagte stier eller innkjørsler. Stans knivene før du krysser, og still klipperdekket på maksimal høyde for å redusere risikoen for steiner slynges ut. Kjør sakte for å unngå å miste grep og kontroll.

⚠ ADVARSEL

Forsøk ikke å endre driftsretning mens klipperen er i bevegelse. Stans alltid helt opp før du endrer klipperretning.

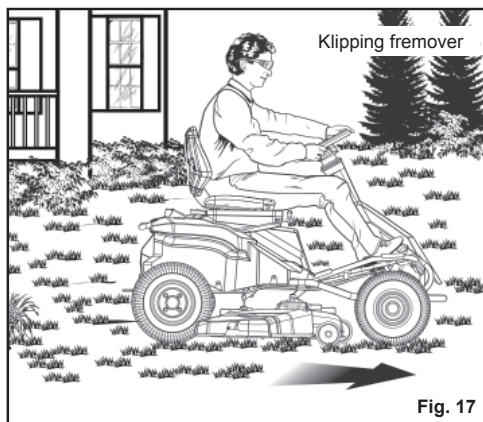


Fig. 17

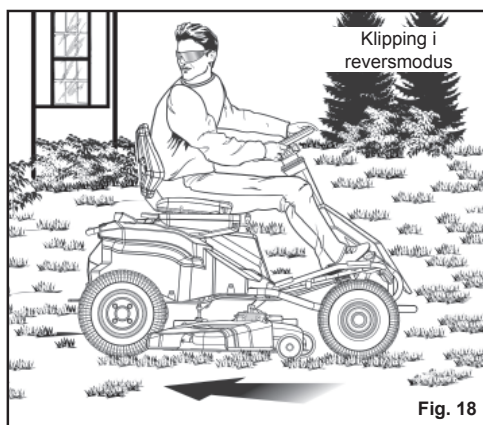


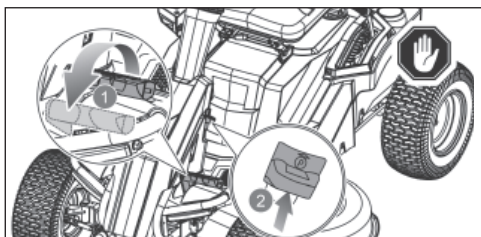
Fig. 18

Klipping i reversmodus:

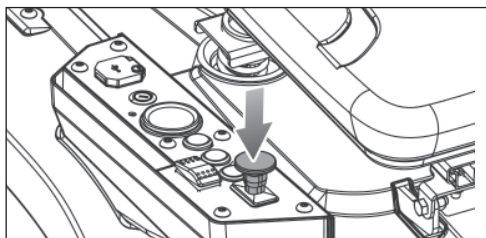
⚠ ADVARSEL

Produktet vil avgi en kontinuerlig pipelyd når det kjøres i revers, enten med knivene av eller ved klipping i reversmodus.

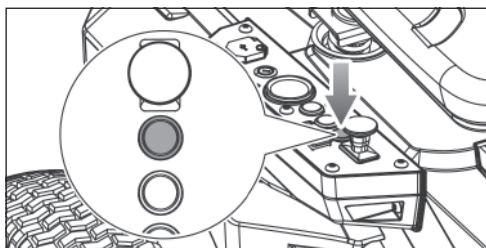
1. Trakk på fotbremsen, og vent til produktet har stoppet helt.



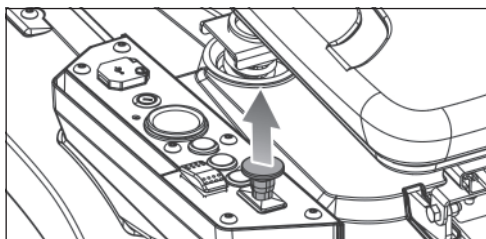
2. Skyv knivbryteren ned for å slå av knivene.



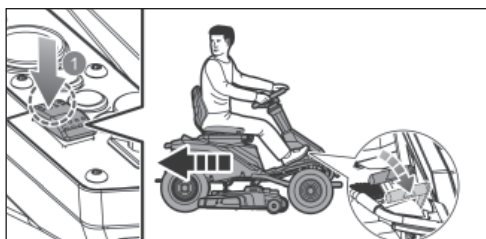
3. Trykk på reversmodus-knappen.



4. Dra knivbryteren opp.



5. Vri retningsbryteren til "revers" (R). Tråkk sakte på gasspedalen, og klipp i revers etter behov.



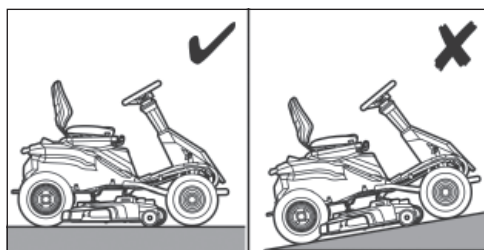
⚠ ADVARSEL

Klipp ikke mens du rygger, med mindre det er helt nødvendig. Se alltid ned og bak deg før og under rygging, og forsikre deg om at ingen barn, voksne eller kjæledyr befinner seg i klippeområdet. Vær oppmerksom på at klipping i reversmodus aktiveres når reversmodus-knappen lyser rødt og det avgis en kontinuerlig pipelyd. Husk at et øyeblikks uoppmerksomhet kan være nok til å forårsake ulykker med alvorlige personskader eller dødsfall.

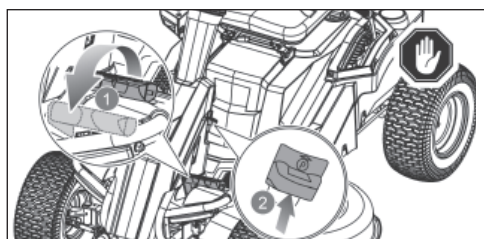
Når klippingen er ferdig:

⚠ ADVARSEL

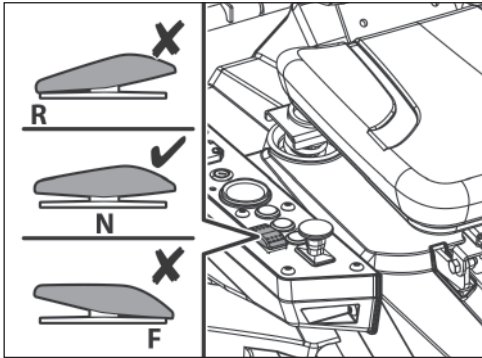
Stans produktet på et flatt, jevnt underlag. Stans ikke produktet i bakker.



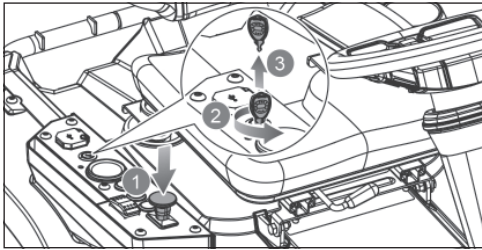
1. Tråkk på fotbremsen og sett på håndbremsen.



2. Vri retningsbryteren til "fri" (N).



3. Skyv knivbryteren ned for å slå av knivene. Vri startnøkkelen til OFF, og ta ut nøkkelen.



⚠ ADVARSEL

Hvis produktet avgir en pipelyd etter at du forlater setet, sjekk at håndbremsen er aktivert og at nøkkelen er tatt ut. Hvis håndbremsen ikke er på, kan produktet begynne å bevege seg, og hvis nøkkelen står i, kan det føre til uautorisert bruk som kan føre til alvorlige personskader.

MERK: Klipping i reversmodus tilbakestilles hver gang strømbryteren skrur til OFF.

GRESSKLIPPINGSRÅD

Se fig. 19.

- Hold klipperknivene skarpe.
- Forsikre deg om at plenen er fri for steiner, pinner, ledninger, leketøy, kongler, greiner og andre gjenstander som kan skade klipperkniver eller motor. Ikke kjør gressklipperen over eiendomsmarkeringer

eller metallstolper. Slike gjenstander kan skade kniven eller slynges ut av produktet og forårsake alvorlig personskade på brukeren eller andre.

- For å sikre god helse i plenen bør alltid 1/3-del eller mindre av gressets totale lengde klippes.

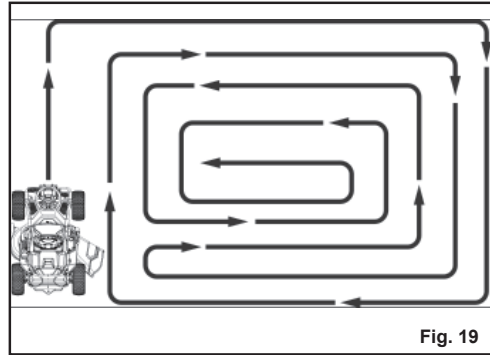


Fig. 19

- Når du klipper større områder, start med å svinge til høyre slik at avklipp sendes vekk fra busker, gjerder og innkjørsler. Klipp i motsatt retning etter én eller to runder, slik at du svinger til venstre til du er ferdig.
- Klipp slik at avklipp sendes ut mot den delen av plenen som allerede er klippet.
- Når du klipper tungt gress, senk farten for mer effektiv klipping og riktig utkast av avklippet.
- Ikke klipp vått gress. Vått gress fester seg til undersiden av dekket og forhindrer korrekt bioklipp.
- Nytt eller tykt gress kan kreve større klippehøyde.
- Hold klipperdekket og utkastertrakten rene. Fjern gressavklipp, løv, jord og annet oppsamlet avfall før og etter hver bruk. Bruk ikke hageslangen til å rengjøre produktet.

MERK: Stans alltid produktet, la knivene stanse helt, og fjern startnøkkelen før du rengjør produktets underside.

BRUK PÅ SKRÅNING

Se fig. 20.

⚠ ADVARSEL

Bakker er en stor faktor i situasjoner der man mister kontroll eller velter, som kan føre til alvorlige personskader eller død. Ved bruk i skråninger må man være spesielt oppmerksom. Hvis du ikke kan rygge opp bakken, eller hvis bakken gjør deg utrygg, ikke klipp den. Bruk aldri produktet i hellinger over 15°. Ta en kopi av eller klipp ut "Bakkeveiledningen" bakerst i denne manualen og bruk den til å avgjøre om bakken din er for bratt for trygg bruk.

- Klipp opp og ned, ikke på tvers av bakker.
- Ikke klipp på vått gress. Vått gress kan føre til at dekkene mister grepet eller sklir i bakker, selv om bremsene fungerer som de skal.
- Se opp for hull, hjulspor, humper, steiner og andre skjulte gjenstander som kan føre til snubling og fall. Fjern alle gjenstander som steiner, trær, grener osv. som du kan snuble i eller som bladene kan slenge opp i luften.
- Ikke klipp nær stup, grøfter eller diker.
- Kjør sakte, og ikke gjør brå endringer i fart eller retning.
- Unngå om mulig å stanse i bakker. Hvis stans er uunngåelig, sett på håndbremsen. Når du starter igjen, bruk lavest mulig fart. Hvis du må svinge, vær svært forsiktig når du endrer retning, og sving alltid nedover.
- Forsøk aldri å stabilisere klipperen i skråninger ved å plassere foten på bakken under drift.
- Bruk alltid bremsen når du kjører nedover bakken. Forsøk ikke å la klipperen trille nedover i fri.
- Hvis dekkene mister grepet når du klipper i en bakke, slå av knivene og fortsett sakte og forsiktig rett ned bakken.

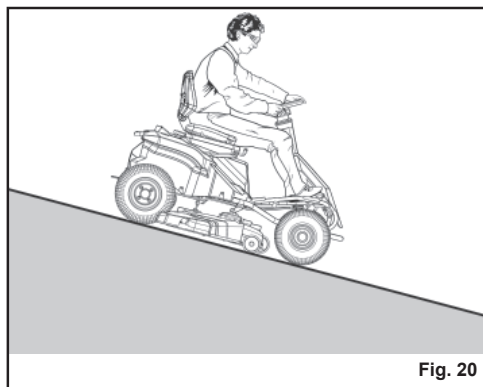


Fig. 20

TRANSPORT AV PRODUKTET

Se fig. 21.

⚠ ADVARSEL

Vær forsiktig når du kjører produktet av eller på en lastebil eller henger. Trakk på fotbremsen ved behov for å kontrollere farten. Klipperen vil rulle fritt dersom den flyttes på en skrånende overflate uten bruk av fot- eller håndbremsen. Å la være å følge disse disse instruksjonene kan føre til tap av kontroll og lede til død, alvorlige personskader eller materielle skader.

⚠ ADVARSEL

Vær forsiktig når du laster eller lossen produktet på lastebil eller henger. Forsikre deg om at klipperdekket er hevet til det høyeste nivået, slik at det ikke henger seg fast i rampen. Produktets hjul kan havne utenfor rampen eller tilhengeren, slik at produktet dreier eller velter, noe som kan medføre klemningsfare og død eller alvorlig personskade.

1. Parker produktet på et jevnt underlag.
 2. Sett klipperdekket til maksimal høyde.
 3. Plasser og sikre en rampe på tilhengeren i henhold til produsentens instruksjoner.
- MERK:** Bruk en lasterampe i full bredde som er minst 30,5 cm bredere enn klipperen, for å minimere risikoen for at hjulene skal havne utenfor rampen.
4. rampen. Kjør produktet sakte opp på rampen og inn på tilhengeren.
 5. Still klipperdekket til laveste høyde.

6. Slå av produktet, sett på håndbremsen og fjern startnøkkelen.
7. Sikre produktet med stropper eller kabler for å forhindre bevegelse under transport.

⚠ ADVARSEL

For å unngå at produktet starter eller beveger seg, som kan føre til alvorlig personskade, fjern alltid startnøkkelen og sett på håndbrems ved transport av produktet.

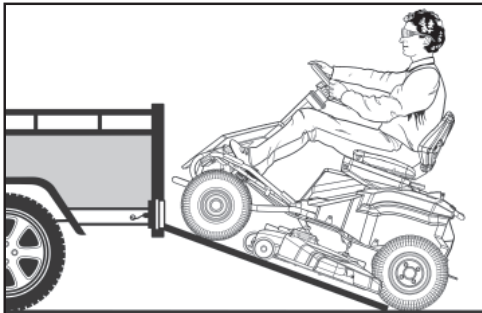


Fig. 21

MASKINEN VEDLIKEHOLDES

⚠ ADVARSEL

Slå av produktet, sett på håndbremsen og fjern startnøkkelen. Forsikre deg om at alle bevegelige deler er helt stanset før du utfører vedlikehold, for å unngå utilsiktet oppstart som kan forårsake alvorlig personskade.

⚠ ADVARSEL

Bruk alltid vernebriller med sideskjermer. Hvis du ikke gjør dette, kan det føre til at du får gjenstander i øynene, noe som kan skade deg alvorlig.

⚠ ADVARSEL

Feil vedlikehold kan føre til at produktet eller sikkerhetsanordningene ikke fungerer riktig, med økt fare for alvorlig personskade. Hold sagen profesjonelt vedlikeholdt og sikkert.

⚠ ADVARSEL

For service av maskinen, bruk kun produsentens originale reservedeler. Bruk av deler som ikke er originale kan føre til personskade eller feil på produktet.

⚠ ADVARSEL

Følg strengt alle spesifikasjoner angående stramming med momentnøkkel. Å unnlate å gjøre det kan føre til alvorlig personskade.

⚠ ADVARSEL

Før hver gangs bruk, inspisér hele sagen for skader, manglende eller løse deler som skruer, muttere, bolter, lokk, etc. Stram til alt festeutstyret og lokk og ikke bruk sagen før alle manglende eller skadede deler er skiftet. Ta kontakt med et autorisert servicesenter.

Generelt vedlikehold

Unngå bruk av løsemidler når du rengjør plastdelene. De fleste plastikkstoffene vil bli skadet dersom forskjellige tilgjengelige løsemiddel brukes på gressklipperen. Bruk rene kluter til å fjerne skitt, støv, olje og fett, etc.

⚠ ADVARSEL

Ikke på noe tidspunkt må du la bremsevæske, bensin, petroleumsbaserte produkter, rustoppløsende oljer og lignende komme i kontakt med plastdelene. Kjemiske stoffer kan skade, svekke eller ødelegge plastikk som da kan føre til alvorlige personskader.

Fjern ansamlinger av gress og løv på eller rundt motordekselet. Tørk over klipperen av og til med en tør klut. Ikke bruk vann.

JUSTERE KLIPPERDEKKHJULENE

Se fig. 22.

Klipperdekkhjulene må være stilt inn på ca. 1,27 cm (1/2 tomme) over bakken når klipperen er på ønsket klippehøyde. I de fleste situasjoner minimerer dette risikoen for å snauklippe plenen. Ved levering er hjulene stilt i Posisjon A.

For å justere klipperdekkhjulene:

1. Parker produktet på en jevn overflate og sett på håndbremsen.
2. Slå av produktet og fjern startnøkkelen. Påse at alle bevegelige deler har stoppet helt.
3. Still klipperdekket til foretrukket høyde.
4. Fjern mutteren og bolten som holder klipperdekkhjulet på plass.
5. Flytt hjulet til den foretrukne posisjonen. Tilgjengelige posisjoner er:
 - 3,81 cm. (1,5 in.) (A)
 - 4,44 cm (1,75 in.) (B)
 - 5,08 cm. (2 in.) (C)
 - 5,72 cm (2,25 in.) (D)
6. Sett bolten og mutteren på plass, og skru godt til. Skru mutteren til 5,42–8,13 Nm (4–6 ft. lbs.).
7. Gjenta stegene med det andre klipperdekkhjulet, og forsikre deg om at begge hjul settes i samme posisjon.

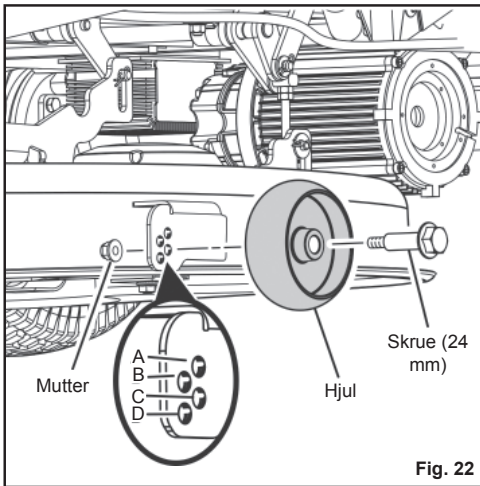


Fig. 22

FJERNE KLIPPERDEKKET

Se fig. 23.

Klipperdekket kan fjernes fra klipperen for enklere tilgang til knivene når de skal byttes.

1. Forsikre deg om at retningsbryteren står på "fri" (N), og at knivbryteren er nede.
2. Slå av produktet, sett på håndbremsen og fjern startnøkkelen. Påse at alle bevegelige deler har stoppet helt.
3. Koble fra kablene som kobler klipperdekket til klipperen.
4. Still klipperdekket til laveste høyde.

5. Fjern de fire koblingspinnene og skivene som holder klipperdekket på plass.
6. Skyv dekket frem fra undersiden av klipperen.

Utfør stegene i motsatt rekkefølge for å feste klipperdekket på klipperen igjen.

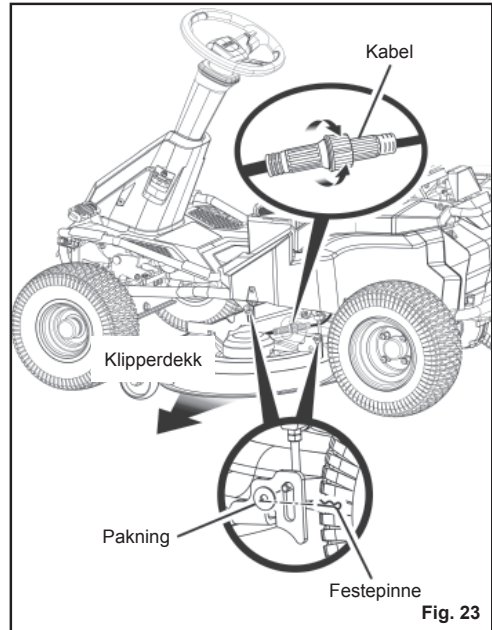


Fig. 23

SKIFTE KUTTEBLADET

Se fig. 24 - 26.

⚠ ADVARSEL

Bruk bare originale kniver og knivbolter autorisert av sitteklipperens produsent. Bruk av kniver og knivbolter som ikke er autorisert er farlig og kan skade sitteklipperen.

1. Forsikre deg om at retningsbryteren står på "fri" (N), og at knivbryteren er nede.
2. Slå av produktet, sett på håndbremsen og fjern startnøkkelen.
3. Sett klipperdekket til maksimal høyde for å få tilgang til knivene.

MERK: Om nødvendig kan klipperen løftes ved å plasseres på lift eller ved å bruke jekk og støttebukker, eller fjern klipperdekket som beskrevet tidligere for å få tilgang til knivene.

⚠ ADVARSEL

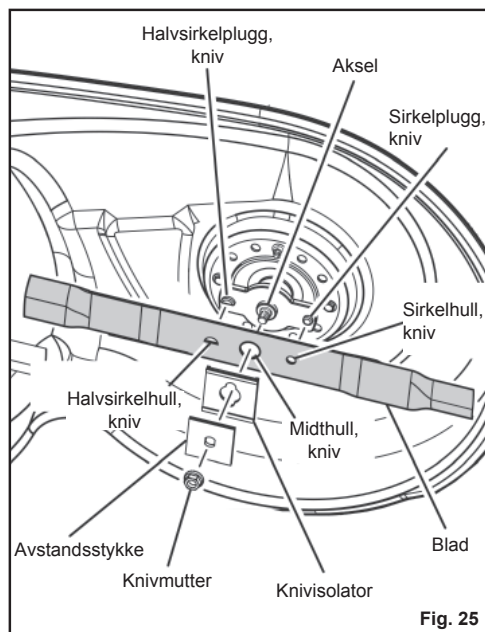
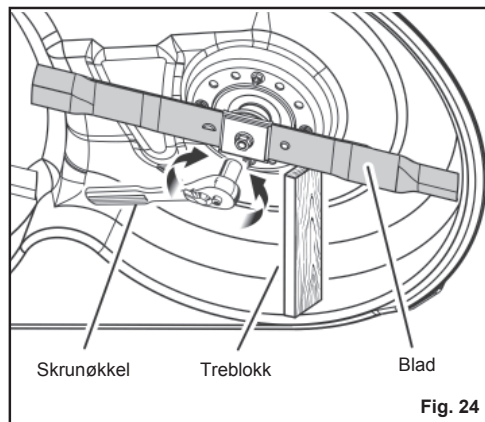
Hvis du hever klipperen for å få tilgang til knivene, forsikre deg om at klipperen er sikkert festet og at håndbremsen er aktivert før du går videre. Hvis klipperen ikke er sikkert festet, kan den falle, noe som medfører fare for alvorlig personskade eller død.

4. Klem et trestykke mellom bladet og gressklipperdekslet for å hindre at bladet snurrer rundt.
 5. Løsne knivmutteren ved å dreie den mot venstre (sett fra bunnen av gressklipperen) med en 15 mm fastnøkkel eller pipenøkkel (medfølger ikke).
 6. Fjern knivmutteren, avstandsstykket, knivisolatoren og kniven.
 7. Plasser den nye kniven på akselen mot korresponderende bladstolpene. Påse at kniven er forsvarlig satt på plass med akselen gjennom senterhullet på kniven og at de to bladstøttene satt inn i sine respektive hull i kniven. Kontroller at bladet er satt på med de buede endene oppover mot gressklipperens deksel og ikke ned mot bakken. Ved riktig plassering skal kniven ligge flatt mot stolpene.
 8. Sett tilbake knivisolatoren og mellomlegget, og forsikre deg om at de flate sidene på hver del er på linje og at de rette sidene på mellomleggets åpning er på linje med de rette sidene av knivakselen.
- MERK:** Vi anbefaler ikke at du sliper bladene, men dersom du gjør det, må bladet avbalanseres før du setter det tilbake på plass.
9. Sett knivmutteren på akselen og stram med fingrene.
 10. Trekk til mutteren mot venstre med momentnøkkel (medfølger ikke) for å sikre at bolten blir forsvarlig tilstrammet. Anbefalt tilstrammingsmoment for knivmutteren er 68 - 74 Nm (600-650 in. lbs.)

⚠ ADVARSEL

Forsikre deg om at kniven sitter sikkert og at knivmutteren er strammet til momentet som er angitt ovenfor. Hvis kniven ikke festes sikkert, kan den løsne, noe som medfører fare for alvorlig personskade.

Gjenta trinnene med den andre kniven om nødvendig.



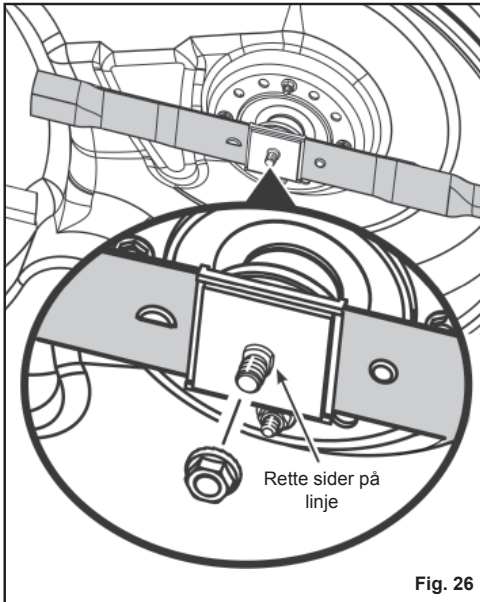


Fig. 26

DEKKVEDLIKEHOLD

Produktet er utstyrt med slangeløse dekk med følgende mål:

- Fordekk: 38,1x15,2x15,2 cm
- Bakdekk: 40,6x16,5x20,3 cm

Dekktrykk

Sjekk lufttrykk i alle dekkene før bruk. Feil lufttrykk påvirker håndtering, styrerespons, grep, dekkenes levetid, jevn klipping og operatørens komfort. Forsikre deg om at dekkene er fylt til anbefalt trykk (1,6 bar).

MERK: Dekktrykk skal bare måles og justeres når dekkene er kalde.

⚠ ADVARSEL

Følg nøye med på dekktrykket når du fyller luft. For mye luft i dekket kan føre til at dekket sprekker, noe som kan forårsake alvorlige personskader.

⚠ ADVARSEL

Å opprettholde riktig lufttrykk i dekkene er svært viktig. For lavt trykk kan føre til at dekket roterer av felgen. For høyt trykk kan føre til at dekket sprekker. Hvis dekkene ikke har riktig trykk, kan det føre til problemer med klipperens drift og stabilitet og forårsake alvorlig personskade.

DEKKREPARASJON

Ved punktert eller flatt dekk kan dekket repareres med en lapp av plugg-type. Hvis skaden skyldes et kutt, eller hvis punkteringen ikke kan repareres med plugg, skift ut dekket.

SKIFTE DEKK

Når dekk blir slitte, reduseres klipperens grep og risikoen for ulykker øker. Skift dekkene når tråddybden blir 4 mm eller mindre, eller dersom dekkene blir skadet. Bruk alltid originaldekk. Bruk av feil dekk på produktet kan føre til tap av kontroll og forårsake alvorlig personskade.

Få utført service på dekkene kun av et autorisert servicesenter.

JUSTERE BREMSENE

Se fig. 27.

Å kunne stanse klipperen riktig har avgjørende betydning for sikkerheten. Hvis klipperen beveger seg lengre før den stanser når du trækker på bremsen, kan det hende at bremsene trenger justering.

For å teste:

1. Stans produktet på en jevn overflate og sett på håndbremsen.
2. Vri retningsbryteren til "fri" (N).
3. Stå bak klipperen og prøv å dytte den fremover. Hvis bakhjulene snurrer, må bremsene strammes.

For å stramme:

1. Finn bremsejusteringsmutterne på innsiden av hvert bakhjul.
2. Skru hver justeringsmutter 1/4 gang med klokken, og prøv å skyve klipperen igjen.
3. Fortsett å skru hver mutter 1/4 gang og teste til klipperen ikke lenger kan flyttes ved å skyve.

Etter den siste justeringen testes bremsene ved å kjøre klipperen i normal hastighet på flatt underlag for å sjekke at klipperen stanser raskt når fotbremsen brukes.

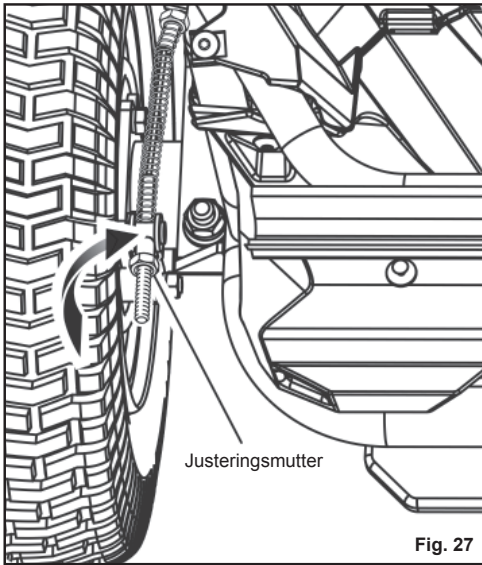


Fig. 27

SKIFTE FRONTLYKTENE

Se fig. 28.

Kontakt et autorisert servicesenter for å bestille ny frontlykt.

1. Stans produktet på en jevn overflate og sett på håndbremsen.
2. Slå av produktet og fjern startnøkkelen.
3. Fjern og legg til side den sekskantede skruen og skiven som holder klipperens gulvpanel på plass.
4. Løft gulvpanelet litt for å få tilgang til de to sekskantede skruene og flate skivene som holder hodelykten på plass. Fjern skruer og skiver og legg dem til side.
5. Koble fra den gamle frontlykten og kast den.
6. Koble til den nye frontlykten, sett tilbake skiver og skruer og stram godt.
7. Legg ned gulvpanelet og fest det med skiven og skruen.

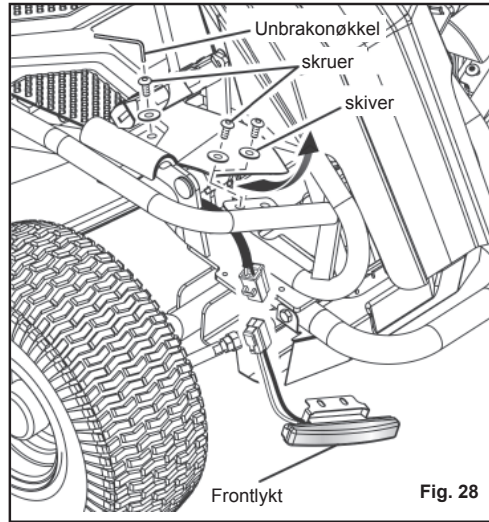


Fig. 28

JUSTERE KLIPPERDEKKET

Se fig. 29 - 30.

Hvis plenen virker ujevnt klippet etter bruk av klipperen, kan det hende at klipperdekket må justeres. Før du bestemmer deg for at klipperdekket må justeres, sjekk at dekkene har luft nok til anbefalt trykk når du klipper. Dekk med for mye eller for lite luft kan påvirke klippingens utseende, og riktig trykk i dekkene kan være alt som skal til for å løse problemer med ujevn klipping.

MERK: Sjekk alltid balansen side mot side og juster om nødvendig, før du måler og justerer front mot bakside.

Før du begynner:

1. Forsikre deg om at retningsbryteren står på "fri" (N), og at knivbryteren er nede.
2. Slå av produktet, sett på håndbremsen og fjern startnøkkelen.
3. Sett klipperdekket til maksimal høyde.

For å justere side mot side:

1. Plasser knivene slik at endene peker mot sidene av klipperen.
2. På utsiden av hver kniv måler du avstanden fra nederste kant på knivsiden til bakken. Hvis avstanden mellom de to sidene er større enn 0,32 cm (1/8 tomme), må dekket justeres side mot side.

- Løse låsemutterne på den siden du ønsker å justere, som vist.
- Vri justeringsmutteren med klokken for å heve eller mot klokken for å senke siden av klipperdekket. Hver hele omdreining på justeringsmutteren vil endre høyden med ca. 0,48 cm (3/16 tommer).

MERK: Hvis du skal heve siden, vrir du på den øverste justeringsmutteren først. Hvis den skal senkes, vrir du på den nederste mutteren først.

- Mål avstanden mellom kniven og bakken igjen. Fortsett å justere og mål inntil forskjellen mellom distansen på hver side er 0,32 cm (1/8 tommer) eller mindre.
- Gå videre til justering front mot bakside, eller stram til låsemutterne igjen.

For å justere front mot bakside:

MERK: Juster alltid dekket side mot side før du gjør justeringer front mot bakside.

- Plasser kniven nærmest utkastertrakten slik at endene peker mot fronten og baksiden av klipperen.
 - Mål avstanden fra spissen av kniven til bakken. For best resultat bør forspissen av kniven være fra 0,32 til 0,95 cm (1/8 til 3/8 tommer) lavere enn bakspissen.
 - Hvis dekket må justeres front mot bakside, vri justeringsmutteren med klokken for å heve eller mot klokken for å senke baksiden av klipperdekket. Hver hele omdreining på justeringsmutteren vil endre høyden med ca. 0,32 cm (1/8 tommer).
- MERK:** Pass på at du vrir justeringsmutterne på begge sider like mye for å unngå skjev justering side mot side.
- Mål avstanden mellom kniven og bakken igjen for å sjekke at forspissen er 0,32 til 0,95 cm (1/8 til 3/8 tommer) lavere enn bakspissen. Hvis ikke fortsetter du å justere til de er det.
 - Stram til låsemutterne igjen, uten å bevege justeringsmutterne, for å feste justeringsmutterne igjen.

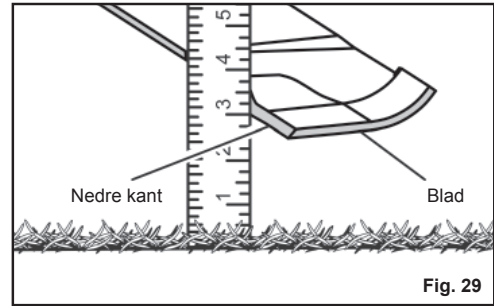


Fig. 29

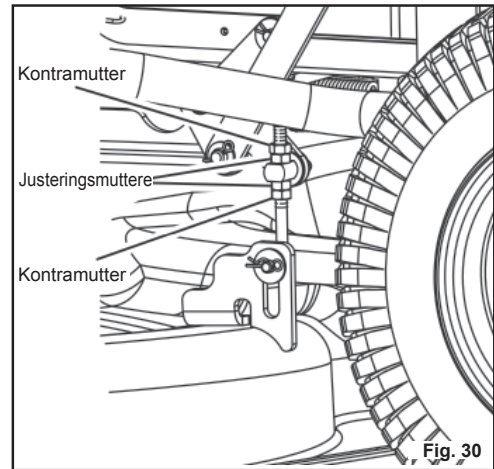


Fig. 30

Å SKIFTE BATTERI

Se fig. 31 - 36.

MERK: Bruk kun blysyrebatterier til RYOBI-sitteklippere, artikkelnummer: 5131042607.

Klipperen bruker fire 12-voltsbatterier koblet i serie. Hvis du skifter ut ett eller flere batterier, erstatt dem alltid med batterier av samme type med samme spenning og kapasitet.

⚠ ADVARSEL

Bruk kun originale blysyrebatterier ved utskiftning.

Bland aldri ulike merker og størrelser i serien. Det vil over tid føre til skader på batteriene og kan også skade klipperen.

⚠ ADVARSEL

Ikke åpne eller skade batteriene. Batterisyre er korroderende og kan, dersom den kommer ut, føre til skade på hud og øyne. Den kan være giftig å svelge.

Ikke gjør forsøk på å brenne batteriet. Batteriene kan eksplodere. Sjekk lokale regler for håndtering av avfallet.

Når batteripakken ikke er i bruk, hold den borte fra metallgjenstander som binders, mynter, nøkler, spiker, skruer og annet som kan forbinde de to terminalene med hverandre. Kortslutning av batteriterminalene kan føre til gnister, brennemerke, brann eller eksplosjon.

Vær forsiktig så batteriet ikke kortsluttes av ledende materialer som ringer, armbånd eller nøkler. Batteriet eller lederen kan overopphetes og forårsake brannskader.

1. Stans produktet på en jevn overflate og sett på håndbremsen.
2. Slå av produktet og fjern startnøkkelen.
3. Vipp opp klippersetet.
4. Skyv på de to tappene på hver side av kabellokket, løft opp lokket og snu det til den ene siden.
5. Fjern og legg til side den sekskantede skruen som holder batteribrettet på plass.
6. Koble fra batteriets hurtigtilkoblingsplugg. Denne pluggen kobler batteriene til klipperen.
7. Fjern de fire skruene som holder batterirommets lokk på plass.
8. Koble fra termistorpluggen. Pluggen kobler batteriene til ladeporten.
9. Fjern de to flensmutterne og flensboltene som holder fronten på batteribrettet på plass.
10. Dra ut batteribrettet, og la enden ligge utenfor klipperen på en stabil overflate som tåler en minstevekt på 136,1 kg (300 pund).

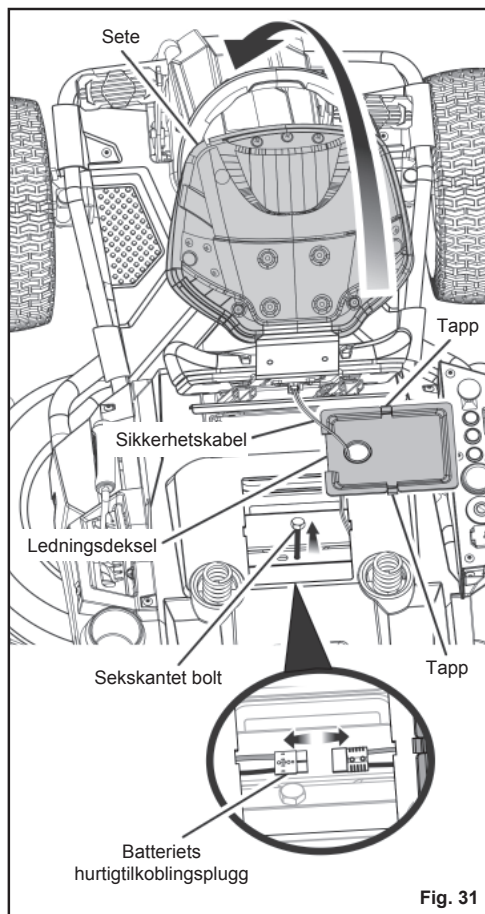


Fig. 31

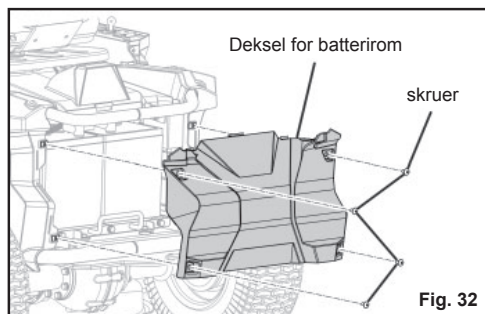
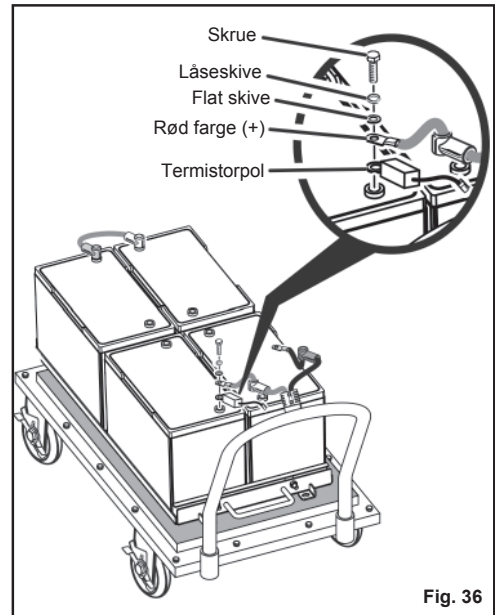
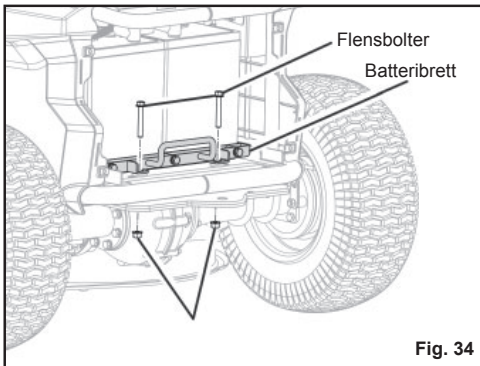
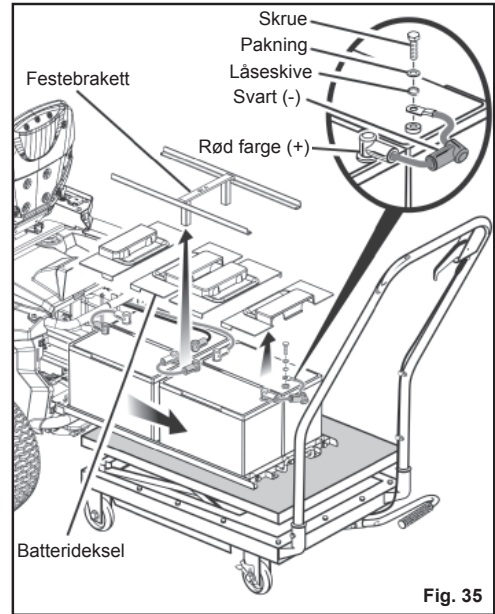
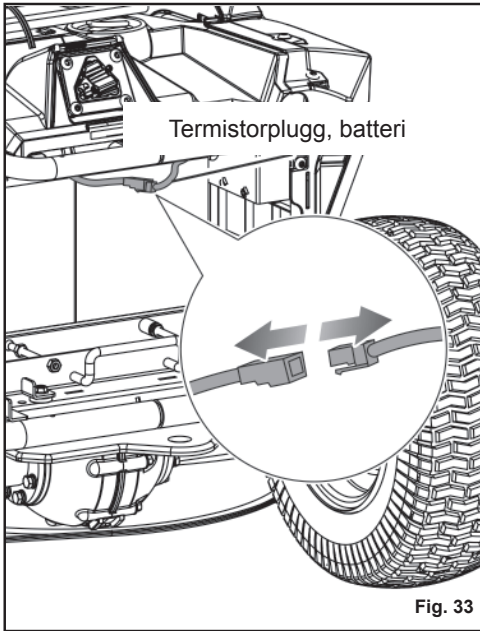


Fig. 32



⚠ ADVARSEL

Batteribrettet er svært tungt og krever at minst to personer hjelper til. Vi anbefaler bruk av hydraulisk vogn av bordtype (eller lignende) for å dra ut brettet. Hvis batteribrettet ikke dras helt ut eller får for dårlig støtte, kan det føre til alvorlig personskade, så vel som skader på klipperen.

⚠ ADVARSEL

Ved feil bruk av batteriet kan det slippe ut væske. Hvis du får kontakt med væsken fra batteriet, skyll med rikelige mengder vann. Søk i tillegg medisinsk hjelp hvis væske kommer i kontakt med øynene. Væske som kommer ut av batteriet kan føre til irritasjon eller brannskår.

11. Løft vekk braketten som holder batteriene på plass, og legg den til side.
12. Fjern og sett til side batteridekslene for batteriet eller batteriene som skal skiftes ut.
13. Koble fra batteriet eller batteriene som må skiftes ut.
Koble først fra den negative (svarte) kabelen, deretter den positive (røde) kabelen. Vær forsiktig så du ikke kortslutter polene.
MERK: Når du kobler fra de bakre kablene, merk deg plasseringen ved den positive polen. Pass på å sette polen tilbake på samme sted.
14. Bytt ut batteriet eller batteriene og koble til kablene igjen. Koble til den positive (røde) kabelen først, så den negative (svarte) kabelen, og vær forsiktig så du ikke kortslutter polene.
15. Sett tilbake batteridekslene og festebraketten.
16. Skyv batteribrettet langt nok inn i klipperen til at du kan koble til batteriets hurtigtilkoblingsplugg.
MERK: Det er ofte lettere å koble til fra batterirom-området enn fra området under setet.
17. Når batteriene er koblet til klipperen igjen, skyves batteribrettet helt inn i klipperen.
18. Sett tilbake flensboltene og flensmutterne for å feste den utvendige kanten på batteribrettet. Stram forsvarlig til.
19. Sett tilbake den sekskantede skruen for å feste batteribrettet. Stram forsvarlig til.
20. Koble til batteritermostoren.
21. Sett tilbake lokket på batterirommet, og fest det med festeanordningene.
MERK: Pass på at tappene på lokket til batterirommet ligger i sporene på klipperens topp- og sidepaneler før du strammer skruene.

22. Sett tilbake ledningsdekselet og press ned til det låses på plass, senk så setet.

MERK: Forsikre deg alltid om at sikkerhetskabel-tilkoblingen ligger helt på plass før du setter på ledningsdekselet igjen.

MERK: Overhold alltid sikkerhetsadvarslene som følger med batteriet. Kast gamle batterier i henhold til gjeldende lover og regler.

LAGRING AV PRODUKTET

Følgende trinn må gjennomføres før lagring av produktet:

- Parker klipperen på en jevn overflate og sett på håndbremsen.
- Fjern ansamlinger av gress og løv på eller rundt motordekselet. Tørk over gressklipperen med en tørr klut. Bruk ikke vann til å rengjøre produktet.
- Koble produktet til lading i hele lagringstiden.
MERK: Hvis det ikke er mulig å la klipperladeren være koblet til under lagring, lad batteriene minst én gang i måneden i lagringstiden. Batteriene lader best i temperaturer fra 0 °C til 40 °C.
- Lagre produktet på et rent, tørt sted som er utilgjengelig for barn. Ikke lagre nær apparater med flammer, for eksempel gassdrevne varmtvannsberedere, tørkeskap eller dampkjeler.
MERK: Ikke la startnøkkelen stå i produktet under lagring.
- Hold avstand til korroderende midler som havekjemikalier og avisings salt.

FORBEREDELSE TIL BRUK ETTER LAGRING

Følgende trinn må gjennomføres før bruk av produktet etter lagring:

- Gå gjennom vedlikeholdstabellen.
- Lad batteriene fullstendig.
- Sjekk dekktrykket og fyll i luft ved behov.
- Kjør produktet et kort stykke og sjekk at alle systemer og deler fungerer som de skal.

VEDLIKEHOLDSPLAN

	Inspiser før hver gangs bruk:	Hver 25 driftstime	Hver 50 time eller årlig	Før lagring	Én gang i måneden
Sjekk bremsen	■				
Sjekk dekktrykket	■				
Sjekk utkastertrakten og dødmannsfunksjonen	■				
Sjekk at ingen fester er løse.	■			■	
Fjern avfall fra produktet	■			■	
Sjekk/bytt bioklippkniver	■	■			
Rengjør batteripoler			■		
Lad batteriet.	■				■

MERK: Vedlikehold skal utføres hyppigere når produktet brukes i støvete områder.

Når produktet har overskredet maksimale tallverdier som er spesifisert i tabellen, skal vedlikeholdet fortsatt gjennomføres i henhold til tids- eller timeintervallene som er angitt her.

Hvis du er usikker på hvordan du skal utføre noen av vedlikeholdspunktene som er nevnt ovenfor, ta med produktet til et autorisert servicesenter for vedlikehold.

TILBEHØR

Beskrivelse	delenummer
Freseblader (for fresing og sidetømming)	RAC438 (996516)

⚠ ADVARSEL

Tilhengere og tilbehør som i dag er tilgjengelig for bruk med produktet er oppført nedenfor. Bruk ikke andre deler eller tilbehør enn de som anbefales av fabrikanten til dette apparatet. Bruken av deler eller tilbehør som ikke anbefales kan medføre fare for alvorlige personskader.

ERSTATNINGSDELER

Beskrivelse	delenummer
Bioklippdeksel	5131042540
Utkastertrakt	5131042541
Forhjul	5131042542
Bakhjul	5131042543
Batteri	5131042607

FEILSØKING

EN
FR
DE
DA
SV
FI
NO

Hvis disse løsningene ikke løser problemet, få utført service på produktet kun av et autorisert servicesenter.

Problem	Mulig årsak	Løsning
Gressklipperen starter ikke.	Batterinivået er lavt.	Lad batteriet.
	Laderen er koblet til produktet.	Koble laderen fra produktet.
	Startnøkkelen er ikke satt i eller står på OFF.	Sett i startnøkkelen og vri nøkkelen til ON.
	Dårlig tilkobling i batterikabel	Sjekk og rengjør alle batteritilkoblinger.
Produktet beveger seg ikke.	Startnøkkelen er ikke satt i eller står på OFF.	Sett i startnøkkelen og vri nøkkelen til ON.
	Parkeringsbremsen er aktivert.	Slå av håndbremsen.
	Retningskontrollbryteren er i nøytral (N) stilling.	Plasser retningskontrollbryteren i ønsket retning (fremover eller bakover).
	Bremsepedalen er tråkket ned og/ eller gassen er ikke tråkket ned.	Slipp bremsepedalen og trakk på gasspedalen.
	Sjåføren har ikke satt seg på plass.	Sitt helt ned på setet, flytt kjørespakene tilbake til fri, og prøv igjen
Gressklipperen klipper gresset ujevnt.	Dekktrykket er ujevnt.	Sjekk dekktrykket i alle fire dekkene.
	Klipperdekket er ujevnt.	Juster klipperdekket.
	Kniven er slitt, bøyd, løs eller sløv.	Erstatt kniven.
	Det er avleiring av avfall under produktet.	Rengjør undersiden av gressklipperdekslet.
	Klippefarten er for høy.	Klipp i lavere fart.
Gressklipperen mullklipper ikke korrekt.	Vått gress har festet seg til undersiden av gressklipperdekslet.	Vent til gresset har tørket før du starter klipping.
	Gresset er for høyt.	Klipp én gang i høy klippehøyde, og så en gang til i ønsket høyde.
	Kniven er slitt, bøyd, løs eller sløv.	Erstatt kniven.
	Klippefarten er for høy.	Klipp i lavere fart.
Klipperen vibrerer ved høy hastighet.	Kniven er ubalansert, løst eller svært eller ujevnt slitt.	Erstatt kniven.
	Motorakselen er bøyd.	Stans motoren og fjern startnøkkelen. Undersøk produktet forsiktig for skade. Få utført service på produktet av et autorisert servicesenter før du starter det igjen.

Dårlig utkast av gress.	Utkastertrakten eller åpningen er tett.	Rengjør utkastertrakten og åpningen.
	Gresset er vått.	La gresset tørke før du klipper.
	Klippefarten er for høy.	Klipp i lavere fart.
	Gresset er for høyt.	Klipp én gang i høy klippehøyde, og så en gang til i foretrukket høyde.
Motoren stopper mens den klipper.	Klippehøyden er satt for lavt.	Hev klippehøyden.
	Batterinivået er lavt.	Lad batteriet.
Knivene roterer ikke.	Batterinivået er lavt.	Lad batteriet.
	Utkastertrakten trykker ikke på utkasterens sperresystembryter.	Press ned utkastertrakten, og forsikre deg om at den trykker sperresystembryteren helt ned.
	Knivbryteren er nede.	Dra knivbryteren opp.
	Sjåføren har ikke satt seg på plass.	Sitt helt ned på setet.
	Det er avleiring av avfall under klipperen.	Rengjør undersiden av gressklipperdekslet.
Knivene roterer ikke ved kjøring i revers.	Reversmodus-alternativet er slått av.	Trykk på reversmodus-knappen for å aktivere reversmodus.
	Knivbryteren er nede.	Dra knivbryteren opp.
Produktet når ikke full hastighet.	Batterinivået er lavt.	Lad batteriet.
Knivene fortsetter å rotere etter at sjåføren har forlatt setet uten å sette på håndbremsen.	Dødmannsfunksjonen fungerer ikke som den skal.	Sjekk at dødmannsfunksjonens seteplogg er helt koblet til. Hvis knivene fortsatt ikke vil stanse, få utført service på produktet kun av et autorisert servicesenter.
Frontlyktene virker ikke.	Frontlyktene er slått av.	Trykk på frontlyktnappen for å slå på frontlyktene.
	Frontlyktene er skadet.	Bytt ut frontlyktene.
Batteriet lader ikke.	Battericellene er dårlig.	Erstatt batteriet.
	Kabeltilkoblingene er dårlige.	Sjekk og rengjør alle batteritilkoblinger.

OFTE STILTE SPØRSMÅL

- Skal klipperen være koblet til laderen når den ikke er i bruk?
 - Ja, klipperen bør lades kontinuerlig når den ikke er i bruk.
- Hva er anbefalt dekktrykk, og hvor ofte bør jeg sjekke lufttrykket i dekkene?
 - For best ytelse bør dekktrykket være 1,6 bar. Sjekk dekktrykket før hver bruk.
- Hva kan være grunnen til at knivene stanser under bruk?
 - Sjekk batterinivåindikatoren. Dekkmotoren skrur seg av når batterinivået blir lavt, slik at du skal rekke å kjøre tilbake til ladestedet. Kjør tilbake og lad batteriet umiddelbart.
 - Hvis batterinivået ikke er lavt, senk farten eller hev klipperdekket til et høyere nivå. Høy belastning kan også føre til at én eller begge dekkmotorer stanser.
 - Sjekk at utkastertrakten er helt lukket. Press ned utkastertrakten, og forsikre deg om at den trykker sperresystembryteren helt ned.
- Ved trilling i nedoverbakke, hvorfor akselererer klipperen noen ganger, men andre ganger ikke?
 - Av hensyn til sikkerhet og ytelse er klipperen laget for å begrense farten automatisk når den beveger seg i bakker, og dette kan medføre fartsvariasjoner.
- Hvorfor lager klipperen en pipelyd når jeg kjører i revers?
 - For å varsle personer i nærheten om hvor klipperen befinner seg.
- Når jeg bruker klipperen, hvordan får jeg klipperen til å stanse helt?
 - For å stanse klipperen trækker du på fotbremsen på sjåførens venstre side. Dette produktet har ikke hydrostatisk motor.
- Hvorfor lager klipperen en pipelyd når jeg forlater setet?
 - Håndbremsen er ikke aktivert, eller startnøkkelen står fortsatt i og på ON. Fjern alltid nøkkelen når klipperen ikke er i bruk.
- Når bør jeg bruke håndbremsen?
 - Sett alltid på håndbremsen før du går av klipperen.
- Kan jeg skylle av klipperdekket med hageslangen?
 - Bruk ikke vann til å rengjøre produktet. Bruk en blåser eller luftkompressor til å rengjøre den.

English	Français	Deutsch	Dansk
Product Specifications	Caractéristiques techniques	Technische daten	Tekniske specifikationer
Ride-On Mower	Tondeuse autoportée	Aufsitzmäher	Plæneklipper med sæde
Model	Modèle	Modell	Model
Weight	Poids	Gewicht	Vægt
Motor	Moteur	Motor	Motor
No-load speed	Vitesse de rotation	Leerlaufgeschwindigkeit	Tomgangshastighed
Cutting rated power	Puissance nominale de coupe	Nennleistung der Schneideinheit	Nominel klippeffekt
Drive rated power	Puissance nominale d'entraînement	Antriebsnennleistung	Nominel kørselseffekt
Height adjustments	Réglages de la hauteur	Schnitthöhe	Højdejusteringer
Wheel size	Dimension de roue	Radgröße	Hjulstørrelse
- Front	- Avant	- Vorderseite	- Forside
- Rear	- Arrière	- Rückseite	- Bagside
Cut size	Taille de coupe	Schnittbreite	Snitstørrelse
Turning radius	Rayon de rotation	Wendekreis	Drejeradius
- approximately	- environ	- approximately	- approximately
Maximum speed	Vitesse maximale	Maximale Geschwindigkeit	Maks. hastighed
Forward	Avant	Vorwärts	Frem
Mow	Tonte	Mähen	Klip
Reverse	Arrière	Rückwärts	Tilbage
Tyre pressure	Pression de gonflage des pneus	Reifendruck	Dæktryk
Charger model	Modèle de chargeur	Ladegerätmodell	Opladermodel
Charger input	Alimentation absorbée	Eingangsleistung Ladegerät	Oplader-indgang
Charger output	Sortie du chargeur	Ladegerät-Ausgang	Laderudgang
Charge time	Temps de charge	Ladezeit	Opladningstid
Quick recharge (60%)	Charge rapide (60%)	Schnellladevorgang (60%)	Hurtig genopladning (60%)
Battery	Batterie	Akku	Batteri
Battery type	Type de batterie	Akkutyp	Batteritype
- Lead-acid battery	- Batterie à l'acide-plomb	- Blei-Säure-Batterie	- Blysyrebatteri
Dimensions	Dimensions	Abmessungen	Mål
Kit Details	Détails du kit	Kit-Details	Sættoplysninger
Total weight	Poids total	Gesamtgewicht	Samlet vægt
Whole body vibration	Vibrations sur l'ensemble du corps	Ganzkörperschwingung	Vibration fra hele enheden
Hand-arm vibration (steering wheel)	Vibrations main-bras (roue motrice)	Hand-Arm-Vibration (Lenkrad)	Hånd-arm-vibration (rat)
A-weighted emission sound pressure level	Niveau de pression acoustique d'émission pondéré A	A-bewerteter Emissionsschalldruckpegel	A-vægtet støjniveau for udledt lydtryk
A-weighted sound power level	Niveau de puissance sonore pondéré-A	A-bewerteter Schalleistungspegel	A-vægtet lydeffektniveau

Svenska	Suomi	Norsk	
Produktspecifikationer	Tuotteen tekniset tiedot	Produktspesifikasjoner	
Åkgrasklippare	Päättäjäettava ruohonleikkuri	Sitteklipper	
Modell	Malli	Modell	RM480e
Vikt	Paino	Vekt	295 kg
Motor	Moottori	Motor	48 V d.c.
Hastighet utan belastning	Nopeus ilman kuormaa	Tomgangshastighet	3550 min ⁻¹
Klippeffekt	Leikkuun nimellisteho	Nominell klippeffekt	1500 W
Driveffekt	Ajon nimellisteho	Nominell motoreffekt	1200 W
Höjjusteringar	Korkeussäädöt	Høydejusteringer	3,81 cm to 11,43 cm (1,5 in. to 4,5 in.)
Hjulstorlek	Pyörän koko	Hjulstørrelse:	
- Fram	- Edestä	- Foran	38,1 cm (15 in.)
- Bak	- Taka	- Bak	40,6 cm (16 in.)
Klippstorlek	Leikkuukoko	Klippstørrelse	96,5 cm (38 in.)
Svängradie	Kääntösäde	Snuradius	
- ungefär	- noin	- cirka	40,6 cm (16 in.)
Maximal hastighet	Suurin nopeus	Maksimal hastighet	
Frammät	Eteen	Framover	12,1 kph (7,5 km/h)
Klippa	Leikkuu	Klipp	7,4 kph (4,6 km/h)
Bakåt	Taaksepäin	Bakover	3,2 kph (2 km/h)
Däcktryck	Rengaspaine	Dekktrykk	1,6 bar
Laddarmodell	Laturin malli	Lademodell	OP48RM
Matning till laddare	Laturin syöttö	Lading	220-240 V a.c., 50/60 Hz
Laddarens uteffekt	Laturin lähtö	Ladereffekt	48 V, 7,5 A
Laddningstid	Latausaika	Ladetid (første gangs bruk)	17 H
Snabbladdning (60%)	Pikalataus (60%)	Hurtiglading (60%)	11 h
Batteri	Akku	Batteri	LPC12-100 (12 V, 100 Ah)
Batterityp	Akkutyyppe	Batteritype	
- Blybatteri	- Lyijyakku	- Blysyrebatteri	
Mått	Miitat	Mål	330 x 173 x 220 mm
Kitdetaljer	Pakkaustiedot	Settdetaljer	4 x LPC12-100
Total vikt	Kokonaispaino	Totalvekt	121,6 kg
Heikropps vibrationer	Koko kehon värinä	Vibrasjon, hele kroppen	1,346 m/s ²
Hand-arm vibration (ratt)	Käden ja käsivarren värinä (ohjauspyörä)	Vibrasjon, hånd-arm (ratt)	0,230 m/s ² ; K=1,5 m/s ²
A-vägd ljudtrycksnivå	A-painotettu äänenpainetaso	A-vektet avgitt lydeffektnivå	89,4 dB(A); K=2,5 dB(A)
A-vägd lydeffektsnivå	A-painotettu äänenteho	A-vektet lydeffektnivå	99,03 dB(A); K=0,55 dB(A)

EN RYOBI® WARRANTY APPLICATION CONDITIONS

In addition to any statutory rights resulting from the purchase, this product is covered by a warranty as stated below.

- The warranty period is 24 months for consumers and commences on the date when the product was purchased. This date has to be documented by an invoice or other proof of purchase. The product is designed and dedicated to consumer and private use only. So there is no warranty provided in case of professional or commercial use.
- There is a possibility to extend for a part of the range of power tools (AC/DC) the warranty period over the period described above using the registration on the www.ryobitools.eu website. The eligibility of products for extended warranty is clearly displayed in stores and / or on packaging and is contained within the product documentation. The end user is required to register his/her newly-acquired products online within 30 days from the date of purchase. The end user may register for the extended warranty in his/her country of residence if listed on the online registration form where this option is valid. Furthermore, end users must give their consent to the storage of their personal data that is required to be entered online. They must also accept the terms and conditions. The registration confirmation receipt, which is sent out by e-mail, and the original invoice showing the date of purchase will serve as proof of the extended warranty.
- The warranty covers all defects of the product during the warranty period due to faults in workmanship or material at the purchase date. The warranty is limited to repair and/or replacement and does not include any other obligations including but not limited to incidental or consequential damages. The warranty is not valid if the product has been misused, used contrary to the instruction manual, or has been incorrectly connected to a power supply. This warranty does not apply to:
 - any damage to the product that is the result of improper or lack of maintenance
 - any product that has been altered or modified
 - any product where original identification (trade mark, serial number) markings have been defaced, altered or removed
 - any damage caused by non-observance of the instruction manual
 - any product not displaying the CE approval mark on the rating plate
 - any product that has been attempted to be repaired by a non-authorised warranty service centre or without prior authorisation by Techtronic Industries
 - any product connected to improper power supply (amps, voltage, frequency)
 - any product used with inappropriate fuel mixture (fuel, oil, ratio of oil/ fuel mixture)
 - any damage caused by external influences (water, chemical, physical, shocks) or foreign substances
 - normal wear and tear spare parts
 - inappropriate use, overloading of the tool
 - use of non-approved accessories or parts
 - Any periodic adjustments to or maintenance cleaning of carburettors
 - Components (parts and accessories) subject to natural wear and tear, including but not limited to bump knobs, drive belts, clutch, blades of hedge trimmers or lawn mowers, harness, cable throttle, carbon brushes, power cord, tines, felt washers, hitch pins, blower fans, blower and vacuum tubes, vacuum bag and straps, guide bars, saw chains, hoses, connector fittings, spray nozzles, wheels, spray wands, inner reels, outer spools, cutting lines, spark plugs, air filters, gas filters, mulching blades, etc.
- For servicing, the product must be sent or presented to a RYOBI authorised service station listed for each country in the following list of service station addresses. In some countries your local RYOBI dealer undertakes to send the product to the RYOBI service organisation. When sending a product to a RYOBI service station, the product should be safely packed without any dangerous contents such as petrol, marked with sender's address and accompanied by a short description of the fault.
- A repair / replacement under this warranty is free of charge. It does not constitute an extension or a new start of the warranty period. Exchanged parts or products become our property. In some countries delivery charges or postage will have to be paid by the sender. Your statutory rights arising from the purchase of the product remain unaffected.
- This warranty is valid in the European Community, Switzerland, Iceland, Norway, Liechtenstein, Turkey and Russia. Outside these areas, please contact your authorised RYOBI dealer to determine if another warranty applies.

AUTHORISED SERVICE CENTRE

To find an authorised service centre near you, visit <http://uk.ryobitools.eu/header/service-and-support/service-agents>.

FR RYOBI® CONDITIONS D'APPLICATION DE LA GARANTIE

En plus des droits statutaires liés à l'achat, ce produit est couvert par une garantie telle que décrite ci-dessous.

- La durée de la garantie accordée au consommateur est de 24 mois à partir de la date d'achat. Cette date doit être authentifiée par une facture ou tout autre preuve d'achat. Le produit a été conçu en vue d'une utilisation strictement privée. Aucune garantie ne s'applique donc en cas d'utilisation professionnelle ou commerciale.
- Il existe pour une partie de la gamme « jardin » (AC/DC), une possibilité d'étendre la période de garantie au-delà de la période précédemment décrite en utilisant le formulaire d'enregistrement présent sur le site Internet www.ryobitools.eu. L'éligibilité d'un outil est clairement affichée dans les points de vente et/ou sur l'emballage et la documentation. L'utilisateur final doit enregistrer son/ses outil(s) nouvellement acheté(s) en ligne dans les 30 jours qui suivent la date d'achat. L'utilisateur a la possibilité de s'enregistrer pour l'extension de garantie dans son pays de résidence si celui-ci est listé dans le formulaire d'enregistrement en ligne où cette option est validée. L'utilisateur final doit donner son consentement pour l'enregistrement des données requises pour accéder au site et doit accepter les termes et conditions. La confirmation d'enregistrement, envoyée par courrier électronique, ainsi que la facture originale mentionnant la date d'achat serviront de preuve de l'extension de garantie.
- La garantie couvre pendant la période de garantie les défauts des produits liés à la fabrication et aux matériaux à la date d'achat. La garantie est limitée à la réparation et/ou au remplacement et n'inclut aucune autre obligation, tel que, mais sans s'y limiter, les dommages accessoires ou indirects. La garantie est non valable en cas de mauvaise utilisation du produit, d'utilisation contraire aux instructions du mode d'emploi, ou en cas de branchement incorrect. Cette garantie ne s'applique pas pour :
 - tout dommage au produit résultant d'un mauvais entretien
 - tout produit ayant été altéré ou modifié
 - tout produit dont les marquages originaux d'identification (marque, numéro de série) ont été dégradés, altérés ou retirés
 - tout dommage causé par le non-respect des instructions du mode d'emploi
 - tout produit non CE
 - tout produit ayant subi une tentative de réparation par du personnel non qualifié ou sans autorisation préalable de Techtronic Industries
 - tout produit raccordé à une alimentation secteur non conforme (ampérage, voltage, fréquence)
 - tout produit utilisé avec un mélange inapproprié (essence, huile, pourcentage d'huile)
 - tout dommage causé par des influences extérieures (chimiques, physiques, chocs) ou par des substances étrangères
 - l'usure normale des pièces consommables
 - une utilisation inappropriée, une surcharge de l'outil
 - l'utilisation de pièces ou accessoires non agréés
 - Tout réglage périodique ou tout nettoyage de maintenance des carburateurs
 - les composants (pièces et accessoires) sujets à une usure naturelle, incluant de façon non exhaustive les têtes de fil à frapper, les courroies de transmission, les embrayages, les lames des taille-haies ou des tondeuses à gazon, les harnais, les câbles d'accélérateur, les charbons, les cordons d'alimentation, les fraises de cultivateurs, les rondelles feutre, les goupilles de fraise, les turbines et lame de broyage des souffleurs, les tubes de soufflage et d'aspiration des souffleurs, les sacs de souffleurs et leurs lanières, les guides-chaîne, les chaînes de tronçonneuses, les tuyaux et raccords, les buses et lances de nettoyeurs haute pression, les roues, les recharges de fil des têtes de coupe, les têtes de coupe, le fil de coupe, les bougies d'allumage, les filtres à air, les filtres à essence, etc.
- Si le produit doit être réparé, envoyez-le à un service après-vente agréé RYOBI dont vous trouverez ci-dessous la liste pour chaque pays. Dans certains pays, votre revendeur RYOBI se chargera d'envoyer le produit à un centre de réparation RYOBI. Lorsque vous envoyez un produit à un service après-vente RYOBI, celui-ci doit être correctement emballé, sans contenir aucun produit dangereux tel que de l'essence, et vous devez indiquer votre adresse ainsi qu'une courte description du problème.
- Une réparation / un remplacement sous garantie est gratuit(e). Ceci ne constituera pas une extension de garantie ni un nouveau départ de la période de garantie. Les pièces ou les outils remplacés deviennent notre propriété. Dans certains pays, les frais de port devront être assumés par l'expéditeur. Vos droits statutaires restent inchangés.
- Cette garantie est valable au sein de l'Europe, de la Suisse, de l'Islande, de la Norvège, du Liechtenstein, de la Turquie, de la Russie. En dehors de ces zones, veuillez contacter votre distributeur agréé RYOBI pour déterminer si une autre garantie s'applique.

SERVICE APRÈS-VENTE AGRÉÉ

Pour trouver le service après-vente agréé le plus proche, rendez-vous sur <http://fr.ryobitools.eu/header/service-and-support/service-agents>

DE RYOBI® GARANTIEBEDINGUNGEN

Zusätzlich zu den gesetzlichen Rechten aus dem Kauf gilt für dieses Produkt die nachstehend aufgeführte Garantie.

- Der Garantiezeitraum beträgt für Verbraucher 24 Monate und beginnt mit dem Datum des Kaufs. Dieses Datum muss durch eine Rechnung oder einen anderen Kaufbeleg dokumentiert werden. Dieses Produkt wurde ausschließlich zur privaten Nutzung durch Verbraucher entwickelt. Für den Fall einer professionellen bzw. kommerziellen Nutzung besteht daher keine Garantie.
- Es besteht die Möglichkeit, für einen Teil des Sortiments der Gartenwerkzeuge (AC/DC) den Garantiezeitraum über den oben genannten Zeitraum hinaus zu verlängern, indem der Verbraucher die Registrierung auf der Website www.ryobitools.eu durchführt. Die Berechtigung der Werkzeuge für die Garantieverlängerung ist deutlich im Geschäft und/oder auf der Verpackung beschrieben und in der Produktdokumentation erwähnt. Der Verbraucher muss das neu erworbene Gerät online innerhalb von 30 Tagen ab dem Kaufdatum registrieren. Der Verbraucher kann das Gerät zwecks Garantieverlängerung in seinem Wohnsitzland/Heimatland registrieren, wenn dieses Land auf dem Online-Registrierungsformular aufgeführt und die Option gültig ist. Darüber hinaus muss der Verbraucher seine Zustimmung zur Speicherung der Daten geben, die online eingegeben werden müssen, und er muss die allgemeinen Geschäftsbedingungen akzeptieren. Die Bestätigung der Registrierung, die per E-Mail versandt wird, und die Originalrechnung mit dem Kaufdatum gelten als Beleg für die Garantieverlängerung.
- Die Garantie deckt alle Defekte des Geräts während des Garantiezeitraums ab, die auf zum Zeitpunkt des Kaufs bestehende Verarbeitungs- oder Materialfehler zurückzuführen sind. Die Garantie beschränkt sich auf Reparatur und/oder Ersatz und beinhaltet keine anderen Verpflichtungen, insbesondere keinen Schadenersatz für Folge- oder Nebenschäden. Die Garantie gilt nicht, wenn das Gerät fehlerhaft eingesetzt wurde, gegenseitlich zur Bedienungsanleitung eingesetzt wurde oder falsch angeschlossen wurde. Die Garantie gilt nicht für Folgendes:
 - Schäden am Gerät, die auf unkorrekte Wartung zurückzuführen sind
 - Geräte, an denen Veränderungen vorgenommen wurden
 - Produkte, bei denen die ursprüngliche Identifizierung (Handelsmarke, Seriennummer) unleserlich gemacht, verändert oder entfernt wurde
 - Schäden durch Nichtbeachtung der Bedienungsanleitung
 - nicht-CE-zertifizierte Geräte
 - Geräte, an denen durch nicht-qualifizierte Personen oder ohne vorherige Genehmigung von Technonic Industries Reparaturversuche vorgenommen wurden
 - Geräte, die an unkorrekte Energiequellen (Ampere, Volt, Frequenz) angeschlossen wurden
 - Geräte, die mit einer fehlerhaften Treibstoffmischung (Treibstoff, Öl, Ölanteil) betrieben wurden
 - Schäden durch äußere Einflüsse (chemisch, physisch, Stöße) oder Fremdstoffe
 - normaler Verschleiß von Ersatzteilen
 - unangemessene Nutzung, Überlastung des Geräts
 - Nutzung nicht genehmigter Zubehöreile oder Ersatzteile
 - Regelmäßige Einstellung oder Wartungsreinigung des Vergasers
 - Komponenten (Ersatzteile und Zubehöreile), die natürlicherem Verschleiß unterliegen, einschließlich, aber nicht begrenzt auf Service- und Wartungssets, Kohlebürsten, Lager, Spannrichtungen, SDS-Bohreraufnahme, Bit-Adapter, Netzkabel, Zusatzhandgriff, Transportkoffer, Schließplatten, Staubbeutel, Staubabführungen, Filzunterlegscheiben, Bolzen und Federn von Schlagschraubern, einschließlich, aber nicht beschränkt auf Fadenköpfe, Antriebsriemen, Kupplungen, die Klängen von Heckenschere oder Rasenmähern, Kabelstränge, Gaszüge, Zinken, Steckbolzen, Lüfter, Saug- und Gebläserohre oder Düsen, Fangsäcke und Gurte, Führungsschienen, Sägeketten, Schläuche, Verbinder, Sprühdüsen, Räder, Sprühstäbe, innere Rollen, äußere Spulen, Schneidfäden, Zündkerzen, Luftfilter, Benzini- ÖlfILTER, Hackseil-Messer usw.
- Zum Service muss das Gerät zu einer von RYOBI autorisierten Servicestation gebracht oder dorthin gesendet werden. Die Servicestationen für die einzelnen Länder sind in der folgenden Liste aufgeführt. In einigen Ländern sendet Ihr RYOBI-Händler vor Ort das Gerät an das RYOBI-Serviceunternehmen. Beim Einsenden an die RYOBI-Servicestation sollte das Gerät sicher verpackt sein, ohne gefährliche Inhalte wie Benzin, und es sollte mit der Adresse des Absenders und einer kurzen Beschreibung des Fehlers versehen sein.
- Eine Reparatur bzw. ein Ersatz gemäß dieser Garantie ist kostenlos. Hieraus ergibt sich weder eine Garantieverlängerung noch der Beginn eines neuen Garantiezeitraums. Die ausgetauschten Ersatzteile oder Werkzeuge gehen in unser Eigentum über. In einigen Ländern müssen die Zustellgebühren oder die Versandkosten vom Absender gezahlt werden. Ihre gesetzlichen Rechte aus dem Kauf des Geräts bleiben hiervon unberührt.
- Diese Garantie gilt in der Europäischen Union, der Schweiz, Island, Norwegen, Liechtenstein, der Türkei und Russland. Bitte wenden Sie sich außerhalb dieser Gebiete an Ihren autorisierten RYOBI-Händler, um festzustellen, ob eine andere Garantie gilt.

AUTORISIERTER KUNDENDIENST

Besuchen Sie <http://de.ryobitools.eu/header/service-and-support/service-agents>, um einen autorisierten Kundendienst in Ihrer Nähe zu finden.

DA RYOBI® BETINGELSER FOR GARANTI

Udover lovbestemte rettigheder, som resulterer af købet, er dette produkt dækket af en garanti, som anført herunder.

- Garantiperioden er 24 måneder for forbrugere og begynder på den dato, som produktet blev købt. Denne dato skal dokumenteres af en faktura eller andet bevis for købt. Produktet er udelukkende designet og dedikeret til forbrugere og privat brug. Så der ydes ingen garanti i tilfælde af professionel eller kommerciel brug.
- Der er en mulighed for at forlænge garantiperioden for en del af udvalget af haveværktøj (AC/DC), hen over den ovenfor beskrevne periode vha. registrering på hjemmesiden www.ryobitools.eu. Berettigelsen af værktøjet til forlængelse af garantiperioden er tydeligt vist i butikker og/eller på emballage/og indeholdt i produktdokumentationen. Slutbruger skal registrere hans/hendes nyligt indkøbte værktøj online indenfor 30 dage efter købsdatoen. Slutbruger kan registrere sig for den forlængede garanti i sit land, hvis han/hun er opført på den online registreringsformular, hvor denne mulighed er gyldig. Derudover skal slutbrugere give deres samtykke til at opbevare data, som er påkrævet at indtaste online, og de er nødt til at acceptere vilkår og betingelser. Registreringsbekræftelseskvitteringen, som sendes ud på e-mail, og den originale faktura, som viser købsdatoen, vil fungere som bevis for den forlængede garanti.
- Garantien dækker alle defekter, som et produkt måtte have i løbet af garantiperioden, og som skyldes produktionsfejl eller materialefejl på købsdatoen. Garantien er begrænset til reparation og/eller udskiftning og inkluderer ikke andre forpligtelser, inklusiv men ikke begrænset til tilfældige skader eller følgeskader. Garantien er ugyldig, hvis produktet er blevet misbrugt, brugt uden at overholde vejledningen, eller det er blevet forkert tilsuttet. Denne garanti gælder ikke:
 - Beskadigelse af produktet, som er et resultat af uegnet vedligeholdelse
 - Et produkt der er blevet ændret eller modificeret
 - Et produkt hvor de originale identifikationsmærkninger (varemærke, serienummer) er blevet ødelagt, ændret eller fjernet.
 - Enhver beskadigelse forårsaget af manglende overholdelse af vejledningen
 - Ethvert ikke CE-produkt
 - Ethvert produkt som er blevet forsøgt repareret af en ukvalificeret professionel eller uden tidligere autorisation af Technonic Industries.
 - Ethvert produkt som er tilsuttet uegnet strømforsyning (ampere, spænding, frekvens)
 - Ethvert produkt som bruges med uegnet brændstoftilblanding (brændstof, olie, procentdel olie)
 - Enhver skade forårsaget af ekstern påvirkning (kemisk, fysisk, chok) eller fremmedelementer
 - Normal slid på reservedele
 - Uegnet brug, overbelastning af værktøjet
 - Brug af ikke-godkendt tilbehør eller dele
 - Alle regelmæssige justeringer eller vedligeholdelsesrengøring af karburatorer
 - Komponenter (dele og tilbehør) som er udsat for naturlig slid og ælde, inklusiv men ikke begrænset til drejeknapper, drivrem, greb, klinger til hækkeklimmere eller plæneklippere, sele, kabel gasspjæld, kulbørster, elledning, tænder, filtskiver, ophængstapper, blæserventilatorer, blæser- og sugeslanger, sugepose og stropper, styrestænger, savkæder, slanger, forbindelsespakkinger, sprøjtedyser, hjul, sprøjtestave, indvendige ruller, udvendige ruller, udvendige spoler, skærelinjer, tændrør, luftfilter, gasfilter, tildækningsblade etc.
- For eftersyn skal produktet sendes til eller præsenteres for en RYOBI-autoriseret service værksted, som er oplyst for hvert land i den følgende liste over service værksted adresser. I nogle lande påtager din lokale RYOBI-forhandler sig ansvaret for at sende produktet til RYOBI-serviceorganisationen. Når et produkt sendes til en RYOBI-service værksted, skal det pakkes sikkert ind uden noget farligt indhold som benzin, mærkes med afsenders adresse og med en kort beskrivelse af fejlen.
- En reparation/erstatning under denne garanti er gratis. Den udgør ikke en forlængelse eller en ny start på garantiperioden. Udvekslede dele eller værktøjer bliver vores ejendom. I nogle lande skal leveringsafgifter eller porto betales af afsenderen. Dine lovbestemte rettigheder i forbindelse med købet forbliver uanfægtede
- Denne garanti gælder i EU, Schweiz, Island, Norge, Liechtenstein, Tyrkiet og Rusland. Udover disse områder bedes du kontakte din autoriserede RYOBI-forhandler for at afgøre, om en anden garanti gælder.

AUTORISEREDE SERVICEVÆRKSTEDER

Find nærmeste autoriserede serviceværksted på <http://dk.ryobitools.eu/header/service-and-support/service-agents>.

SV RYOBI® ANVÄNDNINGSVILLKOR FÖR GARANTI

Förutom eventuella lagstadgade rättigheter som uppstår genom köpet, täcks den här produkten av en garanti som anges nedan.

- Garantiperioden är 24 månader för konsumenter och börjar gälla från det datum då produkten köptes. Detta datum måste dokumenteras på en faktura eller annat köpbevis. Produkten är utformad och avsedd för konsumenter och privat bruk. Därmed tillhandahålls ingen garanti vid yrkesmässigt eller kommersiellt bruk.
- Det finns möjlighet att förlänga garantiperioden för en del av utbudet för trädgårdsverktyg (AC/DC) under den period som anges ovan genom att använda registreringen på webbplatsen www.ryobitools.eu. De verktyg som är berättigade till en förlängning av garantiperioden visas tydligt i butiker och/eller på förpackningen och anges i produktdokumentationen. Slutanvändaren behöver registrera hans/hennes nyförvävade verktyg online inom 30 dagar från köpdatumet. Slutanvändaren kan registrera sig för den förlängda garantin i det land där han/hon bor om landet finns angivet i registreringsformuläret online och där detta alternativ är giltigt. Dessutom måste slutanvändaren ge sitt medgivande till lagring av data vilket krävs vid registrering online samt acceptera villkoren. Bekräftelsekvittot för registreringen som skickas ut via e-post och originalfakturan som visar köpdatumet kommer att gälla som bevis för den förlängda garantin.
- Garanti täcker alla produktdefekter under garantiperioden som beror på brister i utförande eller material vid köpdatumet. Garantin är begränsad gällande reparation och/eller utbyte och inkluderar inte några skyldigheter inklusive men inte begränsat till oförutsedda skador eller följdskador. Garantin är inte giltig om produkten har missbrukats, använts i strid med bruksanvisningen eller inte anslutits på rätt sätt. Denna garanti täcker inte:
 - eventuella skador på produkten som uppstått till följd av felaktigt underhåll
 - produkter som har ändrats eller modifierats
 - produkter där ursprungliga identifieringsmärkningarna (varumärke, serienummer) har målats över, ändrats eller tagits bort
 - eventuella skador som uppstått till följd av att bruksanvisningen inte efterföljts
 - alla icke CE-produkter
 - eventuella produkter som har försökts repareras av en icke-kvalificerad yrkesman eller utan föregående medgivande från Techtronic Industries.
 - eventuella produkter som anslutits till felaktig strömförsörjning (ampere, volt, frekvens)
 - eventuella produkter som använts med olämplig bränsleblandning (bränsle, olja, oljeprocent)
 - eventuella skador som uppstått till följd av yttre påverkan (kemisk, fysisk, stötar) eller främmande ämnen
 - normalt slitage av reservdelar
 - olämplig användning, överbelastning av verktyget
 - användningen av icke-godkända tillbehör eller delar
 - Eventuella periodiska justeringar av eller vid underhållsrengöring av förgasare
 - Komponenter (delar och tillbehör) är föremål för naturligt slitage, inklusive men inte begränsat till tryckknappar, drivremmar, koppling, blad till kantrimrar eller gräsklippare, sele, gasreglagevajer, kolborstar, strömsladd, spetsar, filtbrickor, kopplingsprint, blåsfäkt, blås- och sugrör, sugpåse och remmar, styrskenor, sägkedjor, slangar, anslutningsdonördel, spraymunstycken, hjul, spraystavar, innerrullar, ytterspolar, skärtråd, tändstift, luftfilter, gasfilter, sönderdelningsblad osv.
- Vid service måste produkten skickas eller uppvisas för en RYOBI- auktoriserad servicestation som står angiven för varje land i följande adresslista över servicestationer. I vissa länder tar din lokala RYOBI- återförsäljare på sig ansvaret att skicka produkten till RYOBI- serviceorganisationen. När en produkt skickas till en RYOBI-servicestation, ska produkten paketeras säkert utan något farligt innehåll såsom bensin, markeras med avsändarens adress samt en kort beskrivning av felet.
- En reparation/ett utbyte under denna garanti är kostnadsfri. Det utgör inte en förlängning eller förnyelse av garantiperioden. Utbyta delar eller verktyg blir vår egendom. I vissa länder måste leveranskostnader eller porto betalas av avsändaren. Dina lagstadgade rättigheter som härrör från köpet av verktyget förblir opåverkade
- Denna garanti är giltig i Europeiska gemenskapen: Schweiz, Island, Norge, Liechtenstein, Turkiet och Ryssland. Utanför dessa länder, kontakta din auktoriserade RYOBI-återförsäljare för att avgöra om en annan garanti gäller.

AUKTORISERAT SERVICECENTER

Du hittar närmaste auktoriserade servicecenter genom att gå till <http://se.ryobitools.eu/header/service-and-support/service-agents>.

FI RYOBI®-TAKUUN SOVELTAMISEHDOT

Tällä tuotteella on oston luomien lakisäasteiden oikeuksien ohella alla mainitun mukainen takuu.

- Takuun kesto on kuluttajille 24 kuukautta ja takuuaika alkaa tuotteen ostohetkestä. Tämän päivämäärän tulee lukea laskussa tai muussa ostositotteesta. Tuote on suunniteltu ja tarkoitettu vain kuluttajien ja yksityiseen käyttöön. Takuu ei siis kata ammatti- eikä kaupallista käyttöä.
- Joidenkin puutarhatyökalujen (AC/DC) takuun kesto on mahdollista laajentaa yllä mainittua kesto pidemmäksi verkkosivuston www.ryobitools.eu rekisteröinnin kautta. Työkalujen kelpoisuus takujakson laajennukseen näkyy selkeästi myymälöissä ja/tai pakkauskissa ja/tai tämä tieto sisältyy tuotedokumentaatioon. Loppukäyttäjän täytyy rekisteröidä vasta hankittu työkalu internetissä 30 päivän kuluessa ostopäivämäärästä. Loppukäyttäjän voi rekisteröidä laajennetun takuun kotimaassaan, jos se on luettuna online-rekisteröintilomakkeessa, jossa mainitaan, missä tämä vaihtoehto on voimassa. Loppukäyttäjien täytyy lisäksi hyväksyä tietojen tallennus, jotka heidän täytyy antaa online-tilassa sekä ehdot. Rekisteröinnin vahvistuskuitti, joka lähetetään sähköpostitse, ja alkuperäinen ostopäivämäärän ilmaiseva lasku toimivat laajennetun takuun tositteina.
- Takuu kattaa kaikki tuotteen takuuaikana tulevat viat, joiden aiheuttajina ovat tuotteen ostopäivän olleet valmistus- tai materiaali viat. Takuu on rajoitettu korjaukseen ja/tai vaihtoon eikä se sisällä mitään muita velvoitteita mukaan lukien satunnaisia ja seurannaisvahinkoja, mutta rajoittumatta niihin. Takuu ei päde, jos tuotetta on käytetty väärin, käyttöohjeen vastaisesti tai jos se on liitetty virheellisesti. Tämä takuu ei kata:
 - virheellisesti huolosta johtuvia vaurioita
 - muunnettua tai muutettua tuotetta
 - tuotetta, jonka alkuperäiset tunnistemerkinnät (tavaramerkki, sarjanumero) on turmeltu, muutettu tai poistettu
 - tämän käyttöoppaan laiminlyönnistä johtuvia vaurioita
 - ei-CE-tuotetta
 - tuotetta, jota on yrittänyt korjata epäpätevä ammattilainen tai joka on rajoittu ilman Techtronic Industrien ennakkokulpa.
 - tuotetta, joka on liitetty virheelliseen teholahteeseen (ampeirit, jännite, taajuus)
 - tuotetta, jossa on käytetty väärää polttoaineseosta (polttoaine, öljy, öljyprosentti)
 - ulkoisten vaikutusten (kemiallinen, fyysinen, iskut) tai vieraiden aineiden aiheuttamaa vauriota
 - normaaleja kuluvia varaosia
 - virheellistä käyttöä, työkalun ylikuormitusta
 - ei-hyväksytytjen tarvikkeiden tai osien käyttöä
 - Kaasutinten säännöllistä säätöä tai ylläpitävää puhdistusta
 - Luonnollisesti kuluvia komponentteja (osia tai tarvikkeita), joihin sisältyvät puskunupit, käyttöihinat, kytkin, pensasleikkuriin tai ruohonleikkuriin terät, valjaat, kaasuvaijeri, hiiharijat, virtajohto, piikit, huopatiivisteet, sokkatapit, puhallinten tuuletimet, puhallin- ja imuputket, imuriin säkit ja hinnat, terälevyt, sahankeijut, letkut, liitososat, suihkusuuttimet, pyörät, ruiskutusputket, sisä- ja ulkokelat, leikkuusiimat, hehkutulpat, ilmansuodattimet, kaasunsuodattimet, silppuperät yms. näihin kuitenkin rajoittumatta.
- Tuote on lähetettävä huollettavaksi valituttuun RYOBI-huoltoon tai näytettävä silleä. Niiden osissa kussakin maassa löytyvät seuraavasta luettelosta. Joissakin maissa paikallinen RYOBI-jälleenmyyjä huolehtii tuotteen lähetyksestä RYOBI-huolto-organisaatioon. Kun tuote lähetetään RYOBI-huoltoon, se täytyy pakata hyvin ilman vaarallisia aineita, kuten polttoainetta, ja pakkaukseen täytyy merkitä lähettäjän nimi sekä vian lyhyt kuvaus.
- Takuun kattama korjaus/vaihto on maksuton. Se ei tarkoita takuuaajan laajennusta tai alkamista alusta. Vaihdetut osat tai työkalut siirtyvät valmistajan omistukseen. Joissakin maissa lähettäjän täytyy maksaa lähetyskustannukset tai postikulut. Työkalun oston luomat lakisäasteiset oikeudet pysyvät koskemattomina
- Tämä takuu on voimassa Euroopan yhteisössä, Sveitsissä, Islannissa, Norjassa, Liechtensteinissa, Turkissa ja Venäjällä. Ota näiden alueiden ulkopuolella yhteyttä omaan valituttuun RYOBI-jälleenmyyjään ja selvitä, onko jotain muuta takuuta.

VALTUUTETTU HUOLTO

Voit etsiä lähimmän valtuutetun huollon sivulta <http://fi.ryobitools.eu/header/service-and-support/service-agents>.

NO RYOBI® GARANTIBETINGELSER

I tillegg til eventuelle lovbestemte rettigheter som følger av kjøpet, er dette produktet dekket av en garanti som angitt nedenfor.

1. Garantiperioden er 24 måneder for konsumenter og gjelder fra den datoen som produktet ble kjøpt. Denne datoen skal dokumenteres med en faktura eller annet kjøpsbevis. Produktet er designet og beregnet kun til konsument- og privat bruk. Så det gis ingen garanti ved profesjonell eller kommersiell bruk.
2. For en del av utvalget av hageverktøy (AC/DC) er det mulighet til å utvide garantiperioden i den perioden som er beskrevet ovenfor ved bruk av registreringen på nettsidene www.ryobitools.eu. Kvalifiseringen av verktøyene for en utvidelse av garantiperioden er tydelig vist i butikker og 7eller på pakningen / og finnes innen produktdokumentasjonen. Sluttbrukeren må registrere sine nylig anskaffede verktøy online innen 30 dager etter kjøpsdato. Sluttbrukeren kan registrere seg for den utvidede garantien i sitt land hvis det er opplistet på online registreringsskjemaet der dette alternativet er gyldig. Videre må sluttbrukere gi sitt samtykke til oppbevaring av dataene som kreves for å gå online, og de må godta vilkår og betingelser. Registreringsbekreftelsen, som sendes ut på e-post, og den originale fakturaen som viser kjøpsdato, vil tjene som bevis for den utvidede garantien.
3. Garantien dekker alle defekter i produktet under garantiperioden på grunn av defekter i utførelse eller materiale på kjøpsdato. Garantien er begrenset til å reparere og/eller erstatte og inkluderer ikke noen andre forpliktelser, inkludert, men ikke begrenset til, tilfeldige eller følgesmessige skader. Garantien er ikke gyldig hvis produktet har blitt misbrukt, brukt på annen måte enn det som beskrives i bruksanvisningen eller er koblet til på feil måte. Denne garantien gjelder ikke for:
 - enhver skade på produktet som er resultat av utilstrekkelig vedlikehold
 - ethvert produkt som har blitt endret eller modifisert
 - ethvert produkt der de originale identifiseringsmerkene (varemerke, serienummer) har blitt uleselig, er endret eller fjernet
 - enhver skade som forårsakes av ikke-overholdelse av instruksjonshåndboken
 - ethvert ikke-CE-produkt
 - ethvert produkt som har blitt forsøkt reparert eller av en ikke-kvalifisert fagperson eller uten tidligere autorisasjon fra Techtronic Industries.
 - ethvert produkt tilkoblet feil strømforsyning (ampere, spenning, frekvens)
 - ethvert produkt som brukes med feil drivstoffblanding (drivstoff, olje, prosentandel olje)
 - enhver skade som er forårsaket av eksterne påvirkninger (kjemiske, fysiske, støt) eller fremmede stoffer
 - normal slitasje og sliteservedeler
 - feil bruk, overbelastning av verktøyet
 - bruk av ikke-godkjent tilbehør eller deler
 - Eventuelle periodiske justeringer av eller vedlikeholdsrengjøring av forbrennere
 - Komponenter (deler og tilbehør) som er underlagt naturlig slitasje, inkludert, men ikke begrenset til bulkknøtter, drivreimer, clutch, blader på hekketrimmere eller gressklippere, seler, kabelspjeld, karbonbørster, strømledning, kniver, feltpakninger, heispinner, blåsevifter, blåse- og vakuumslang, vakuumpose og reimer, førerstenger, sagkjeder, strømpær, koblingsmonteringer, spraydyser, hjul, spraystenger, indre spoler, ytre spoler, kuttelinjer, tennplugg, luftfilter, gassfilter, mulchingblader osv.
4. For service må produktet sendes eller fremlegges for en RYOBI-autorisert servicestasjon opplistet for hvert land i den følgende listen over servicestasjonsadresser. I noen land sender den lokale RYOBI-forhandleren produktet til RYOBI serviceorganisasjonen. Ved å sende et produkt til en RYOBI servicestasjon skal produktet være sikkert pakket uten noe farlig innhold, slik som bensin, merket med senderens adresse og fulgt av en kort beskrivelse av feilen.
5. En reparasjon/erstatning under denne garantien er gratis. Den utgjør ingen forlengelse eller en ny start av garantiperioden. Utekslede deler eller verktøy blir vår eiendom. I noen land vil leveringskostnader eller frankering måtte betales av senderen. Dine lovbestemte rettigheter som oppstår fra kjøp av verktøyet forblir uberørt.
6. Denne garantien er gyldig i EU, Sveits, Island, Norge, Liechtenstein, Tyrkia og Russland. Utenfor disse områdene ta kontakt med din autoriserte RYOBI-forhandler om en annen garanti gjelder.

AUTORISERT SERVICESENTER

For å finne et autorisert servicesenter i nærheten, gå til <http://no.ryobitools.eu/header/service-and-support/service-agents>.

EN DECLARATION OF CONFORMITY

Techtronic Industries GmbH
Max-Eyth-Straße 10, 71364 Winnenden, Germany

Herewith we declare that the product

Ride-On Mower
Brand: RYOBI
Model number: RM480e
Serial number range: 47512301000001 - 47512301999999

is in conformity with the following European Directives and harmonised standards

2006/42/EC, 2014/30/EU, 2000/14/EC, 2005/88/EC, EN ISO 12100: 2010,
EN 62841-1: 2015, EN ISO 5395-1: 2013+A1:2018,
EN ISO 5395-3: 2013+A1:2017+A2:2018,
EN 55014-1:2017, EN 55014-2:2015

Measured sound power level: 99,1 dB(A)
Guaranteed sound power level: 100 dB(A)
Conformity assessment method to Annex V Directive 2000/14/EC amended by 2005/88/EC.

The notified body involved:
No.0197 – TÜV Rheinland LGA Products GmbH
Tillystraße 2 - 90431 Nürnberg – Germany»

Todd Chipner
Sr. Director, CPT Quality and Asia Regulatory & Safety
Winnenden, Dec. 30, 2019

Authorised to compile the technical file:
Alexander Krug, Managing Director
Techtronic Industries GmbH
Max-Eyth-Straße 10, 71364 Winnenden, Germany



DE KONFORMITÄTSERKLÄRUNG

Techtronic Industries GmbH
Max-Eyth-Straße 10, 71364 Winnenden, Germany

Hiermit erklären wir, dass die Produkte

Aufsitzmäher
Marke: RYOBI
Modellnummer: RM480e
Seriennummernbereich: 47512301000001 - 47512301999999

mit den folgenden europäischen Richtlinien und harmonisierten Normen entspricht

2006/42/EC, 2014/30/EU, 2000/14/EC, 2005/88/EC, EN ISO 12100: 2010,
EN 62841-1: 2015, EN ISO 5395-1: 2013+A1:2018,
EN ISO 5395-3: 2013+A1:2017+A2:2018,
EN 55014-1:2017, EN 55014-2:2015

Gemessener Schalleistungspegel: 99,1 dB(A)
Garantierter Schalleistungspegel: 100 dB(A)
Konformitätsbeurteilungsmethode zu Anhang V Richtlinie 2000/14/EC wie durch 2005/88/EC.

Benannte Stelle:
No.0197 – TÜV Rheinland LGA Products GmbH
Tillystraße 2 - 90431 Nürnberg – Germany»

Todd Chipner
Sr. Director, Qualität CPT und Regulierung und Sicherheit in Asien
Winnenden, Dec. 30, 2019

Autorisiert die technische Datei zu erstellen:
Alexander Krug, Geschäftsführer
Techtronic Industries GmbH
Max-Eyth-Straße 10, 71364 Winnenden, Germany



FR DÉCLARATION DE CONFORMITÉ

Techtronic Industries GmbH
Max-Eyth-Straße 10, 71364 Winnenden, Germany

Déclarons par la présente que le produit

Tondeuse autoportée
Marque: RYOBI
Numéro de modèle: RM480e
Étendue des numéros de série: 47512301000001 - 47512301999999

est conforme aux Directives Européennes et Normes Harmonisées suivantes

2006/42/EC, 2014/30/EU, 2000/14/EC, 2005/88/EC, EN ISO 12100: 2010,
EN 62841-1: 2015, EN ISO 5395-1: 2013+A1:2018,
EN ISO 5395-3: 2013+A1:2017+A2:2018,
EN 55014-1:2017, EN 55014-2:2015

Niveau de puissance sonore mesuré: 99,1 dB(A)
Niveau de puissance sonore garanti: 100 dB(A)
Méthode d'évaluation de conformité de l'annexe V Directive 2000/14/EC modifiée 2005/88/EC.

L'organisme notifié tipule :
No.0197 – TÜV Rheinland LGA Products GmbH
Tillystraße 2 - 90431 Nürnberg – Germany»

Todd Chipner
Directeur principal, Qualité CPT et Réglementation/Sécurité pour la région Asie
Winnenden, Dec. 30, 2019

Autorisé à rédiger le dossier technique:
Alexander Krug, Directeur Général
Techtronic Industries GmbH
Max-Eyth-Straße 10, 71364 Winnenden, Germany



DA OVERENSSTEMMELSEERKLÆRING

Techtronic Industries GmbH
Max-Eyth-Straße 10, 71364 Winnenden, Germany

Vi erklærer hermed, at produktet

Plæneklipper med sæde
Brand: RYOBI
Modelnummer: RM480e
Serienummerområde: 47512301000001 - 47512301999999

er i overensstemmelse med følgende EU-direktiver og harmoniserede standarder

2006/42/EC, 2014/30/EU, 2000/14/EC, 2005/88/EC, EN ISO 12100: 2010,
EN 62841-1: 2015, EN ISO 5395-1: 2013+A1:2018,
EN ISO 5395-3: 2013+A1:2017+A2:2018,
EN 55014-1:2017, EN 55014-2:2015

Målt støjniveau: 99,1 dB(A)
Garanteret støjniveau: 100 dB(A)
Overensstemmelsesvurderingsmetode til bilag V Direktiv 2000/14/EC ændret ved 2005/88/EC.

Den relevante godkendelsesinstans:
No.0197 – TÜV Rheinland LGA Products GmbH
Tillystraße 2 - 90431 Nürnberg – Germany»

Todd Chipner
Hr. Direktør, CPT Quality and Asia Regulatory & Safety
Winnenden, Dec. 30, 2019

Bemyndiget til at udarbejde det tekniske kartotek:
Alexander Krug, Administrerende Direktør
Techtronic Industries GmbH
Max-Eyth-Straße 10, 71364 Winnenden, Germany



SV KONFORMITETSDEKLARATION

Techtronic Industries GmbH
Max-Eyth-Straße 10, 71364 Winnenden, Germany

Härmed deklarerar vi att produkterna

Akgräsklippare
Märke: RYOBI
Modellnummer: RM480e
Serienummerintervall: 47512301000001 - 47512301999999

är i enlighet med följande EU-direktiv och harmoniserade standarder
2006/42/EC, 2014/30/EU, 2000/14/EC, 2005/88/EC, EN ISO 12100: 2010,
EN 62841-1: 2015, EN ISO 5395-1: 2013+A1:2018,
EN ISO 5395-3: 2013+A1:2017+A2:2018,
EN 55014-1:2017, EN 55014-2:2015

Uppmätt ljudeffektsnivå: 99,1 dB(A)
Garanterad ljudeffektsnivå: 100 dB(A)
Konformitetsbedömning gjord enligt metod i V Direktiv 2000/14/EC samt tilläggen
i 2005/88/EC.

Meddelandet gäller:
No.0197 – TÜV Rheinland LGA Products GmbH
Tillystraße 2 - 90431 Nürnberg – Germany»

Todd Chipner
Teknisk chef, CPT-kvalitet samt regelverk och säkerhet för Asien
Winnenden, Dec. 30, 2019

Godkänd att sammanställa den tekniska filen:
Alexander Krug, VD
Techtronic Industries GmbH
Max-Eyth-Straße 10, 71364 Winnenden, Germany

NO SAMSVARERKLÆRING

Techtronic Industries GmbH
Max-Eyth-Straße 10, 71364 Winnenden, Germany

Herved erklærer vi at produktet

Sitteklipper
Märke: RYOBI
Modellnummer: RM480e
Serienummerserie: 47512301000001 - 47512301999999

er i samsvar med følgende europeiske direktiver og harmoniserte standarder
2006/42/EC, 2014/30/EU, 2000/14/EC, 2005/88/EC, EN ISO 12100: 2010,
EN 62841-1: 2015, EN ISO 5395-1: 2013+A1:2018,
EN ISO 5395-3: 2013+A1:2017+A2:2018,
EN 55014-1:2017, EN 55014-2:2015

Målt lydteknisknivå: 99,1 dB(A)
Garantert lydteknisknivå: 100 dB(A)
Metode for vurdering av konformitet til Tillegg V Direktiv 2000/14/EC endret ved
2005/88/EC.

Involvert meddelelsesorgan:
No.0197 – TÜV Rheinland LGA Products GmbH
Tillystraße 2 - 90431 Nürnberg – Germany»

Todd Chipner
Sr. direktør, CPT kvalitet, samt juridisk og sikkerhet for Asia
Winnenden, Dec. 30, 2019

Autorisert til å sette sammen den tekniske filen:
Alexander Krug, Administrerende Direktør
Techtronic Industries GmbH
Max-Eyth-Straße 10, 71364 Winnenden, Germany

FI SÄÄNNÖSTEN NOUDATTAMINEN

Techtronic Industries GmbH
Max-Eyth-Straße 10, 71364 Winnenden, Germany

Ilmoitamme täten, että tuotteet

Päättäjäettava ruohonleikkuri
Tuotemerkki: RYOBI
Mallinumero: RM480e
Sarjanumeroalue: 47512301000001 - 47512301999999

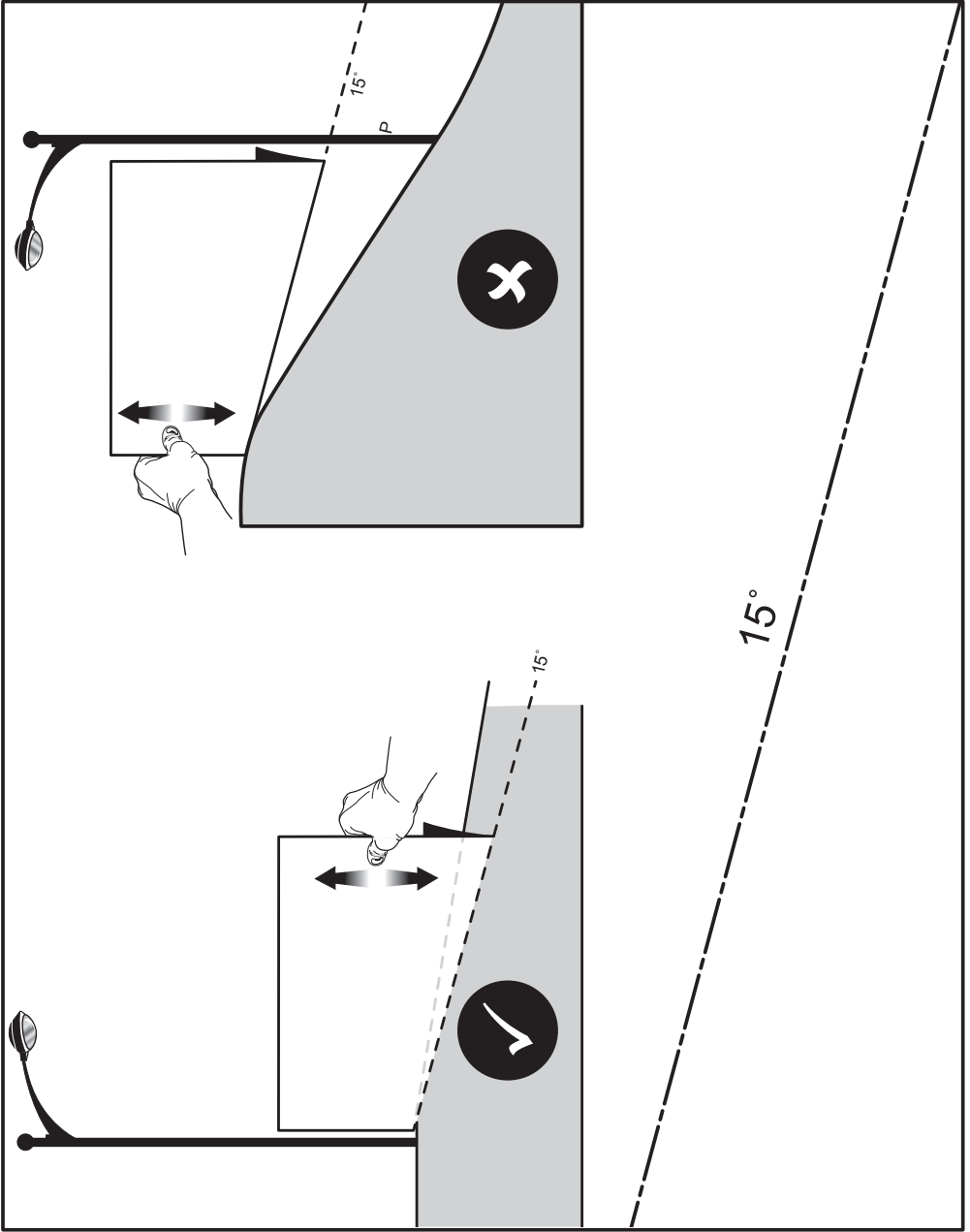
noudattaa seuraavia EU-direktiivejä ja harmonoituja standardeja
2006/42/EC, 2014/30/EU, 2000/14/EC, 2005/88/EC, EN ISO 12100: 2010,
EN 62841-1: 2015, EN ISO 5395-1: 2013+A1:2018,
EN ISO 5395-3: 2013+A1:2017+A2:2018,
EN 55014-1:2017, EN 55014-2:2015

Mitattu äänenteho: 99,1 dB(A)
Taattu ääniteho: 100 dB(A)
Säännösten noudattaminen tarkastettu direktiivin 2000/14/EC liitteen V mukaisesti
muunnettu direktiivillä 2005/88/EC.

Ilmoituselin:
No.0197 – TÜV Rheinland LGA Products GmbH
Tillystraße 2 - 90431 Nürnberg – Germany»

Todd Chipner
Vanhempi, CPT-toimitusten laadusta ja Aasian alueen sääntelystä ja turvallisuudesta
vastaava johtaja
Winnenden, Dec. 30, 2019

Valtuutettu kokoamaan tekninen tiedosto:
Alexander Krug, Toimitusjohtaja
Techtronic Industries GmbH
Max-Eyth-Straße 10, 71364 Winnenden, Germany



- EN** RYOBI is a trade mark of Ryobi Limited, and is used under license.
© 2019-20 Techtronic Cordless GP.
- FR** RYOBI est une marque déposée de Ryobi Limited, et est utilisée sous license.
© 2019-20 Techtronic Cordless GP.
- DE** RYOBI ist ein Markenzeichen von Ryobi Limited und wird in Lizenz verwendet.
© 2019-20 Techtronic Cordless GP.
- ES** RYOBI es una marca registrada de Ryobi Limited, y se utiliza bajo licencia.
© 2019-20 Techtronic Cordless GP.
- IT** L'utilizzo del marchio registrato RYOBI è legato alla licenza concessa da Ryobi Limited.
© 2019-20 Techtronic Cordless GP.
- NL** RYOBI is een handelsmerk van Ryobi Limited en wordt onder licentie gebruikt.
© 2019-20 Techtronic Cordless GP.
- PT** RYOBI é uma marca comercial de Ryobi Limited, e é utilizada sob licença.
© 2019-20 Techtronic Cordless GP.
- DA** RYOBI er et varemærke tilhørende Ryobi Limited og bruges under licens.
© 2019-20 Techtronic Cordless GP.
- SV** RYOBI är en del av varumärke Ryobi Limited och dess användning är licensierad.
© 2019-20 Techtronic Cordless GP.
- FI** RYOBI on Ryobi Limitedin omistama tavaramerkki, ja sitä käytetään lisenssin puitteissa.
© 2019-20 Techtronic Cordless GP.
- NO** RYOBI er et varemerke for Ryobi Limited, og brukes under lisens.
© 2019-20 Techtronic Cordless GP.
- RU** RYOBI является товарным знаком компании Ryobi Limited, используемым по лицензии.
© 2019-20 Techtronic Cordless GP.
- PL** RYOBI to znak towarowy firmy Ryobi Limited i jest używany zgodnie z udziałową licencją.
© 2019-20 Techtronic Cordless GP.
- CS** RYOBI je ochranná známka společnosti Ryobi Limited a její používání podléhá licenci.
© 2019-20 Techtronic Cordless GP.
- HU** A RYOBI a Ryobi Limited védjegye, használatá licenc keretében történik.
© 2019-20 Techtronic Cordless GP.
- RO** RYOBI este o marcă comercială a firmei Ryobi Limited și este utilizată sub licență.
© 2019-20 Techtronic Cordless GP.
- LV** RYOBI ir Ryobi Limited preču zīme un tiek izmantota saskaņā ar licenci.
© 2019-20 Techtronic Cordless GP.
- LT** „RYOBI” yra „Ryobi Limited” prekės ženklas, naudojamas pagal licenciją.
© 2019-20 Techtronic Cordless GP.
- ET** RYOBI on ettevõtte Ryobi Limited kaubamärk, mida kasutatakse litsentsi alusel.
© 2019-20 Techtronic Cordless GP.
- HR** RYOBI je žig tvrtke Ryobi Limited i koristi se po licenci.
© 2019-20 Techtronic Cordless GP.
- SL** RYOBI je blagovna znamka družbe Ryobi Limited in se uporablja na podlagi dovoljenja.
© 2019-20 Techtronic Cordless GP.
- SK** RYOBI je ochranná známka spoločnosti Ryobi Limited a používa sa na základe licencie.
© 2019-20 Techtronic Cordless GP.
- BG** RYOBI е търговска марка на Ryobi Limited и се използва под лиценз.
© 2019-20 Techtronic Cordless GP.
- UK** RYOBI є товарним знаком Ryobi Limited, і використовується за ліцензією.
© 2019-20 Techtronic Cordless GP.
- TR** RYOBI, Ryobi Limited şirketine ait olup, lisans altında kullanılan bir ticari markadır.
© 2019-20 Techtronic Cordless GP.



Techtronic Industries GmbH
Max-Eyth-Straße 10,
71364 Winnenden, Germany

099749019002-01