

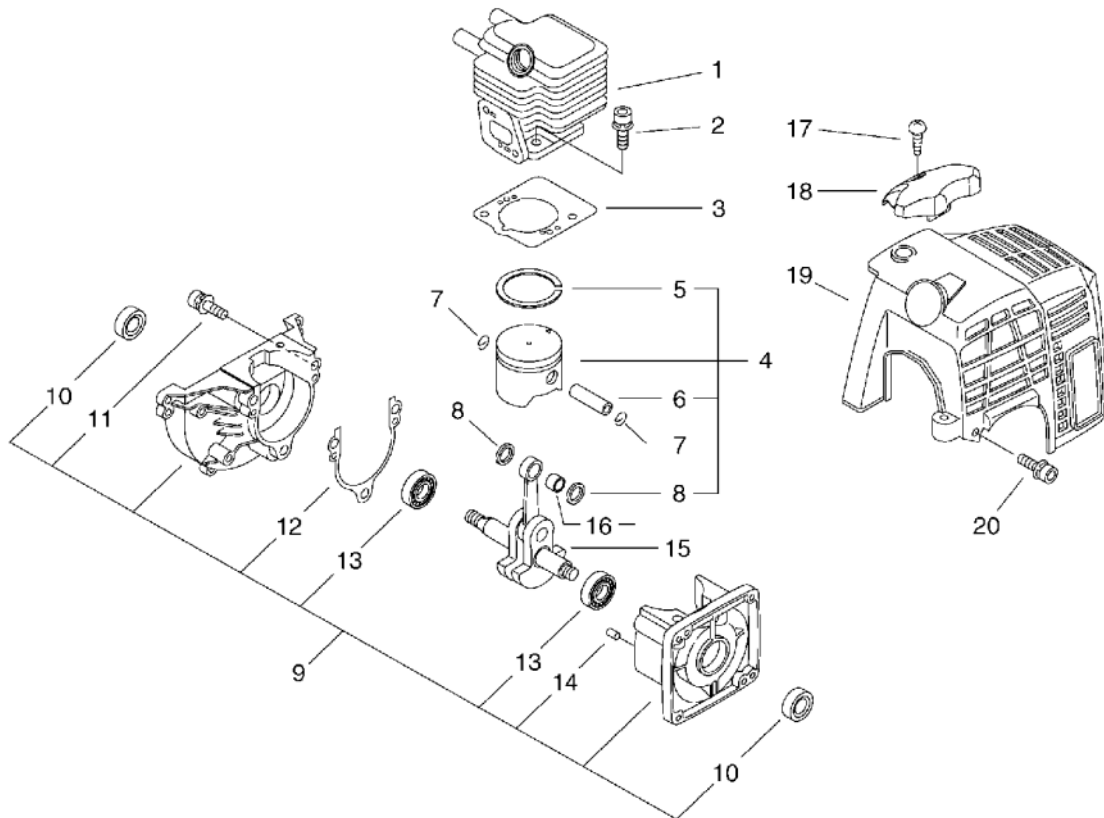


PARTS CATALOGUE

GRASS-TRIMMER / BRUSHCUTTER

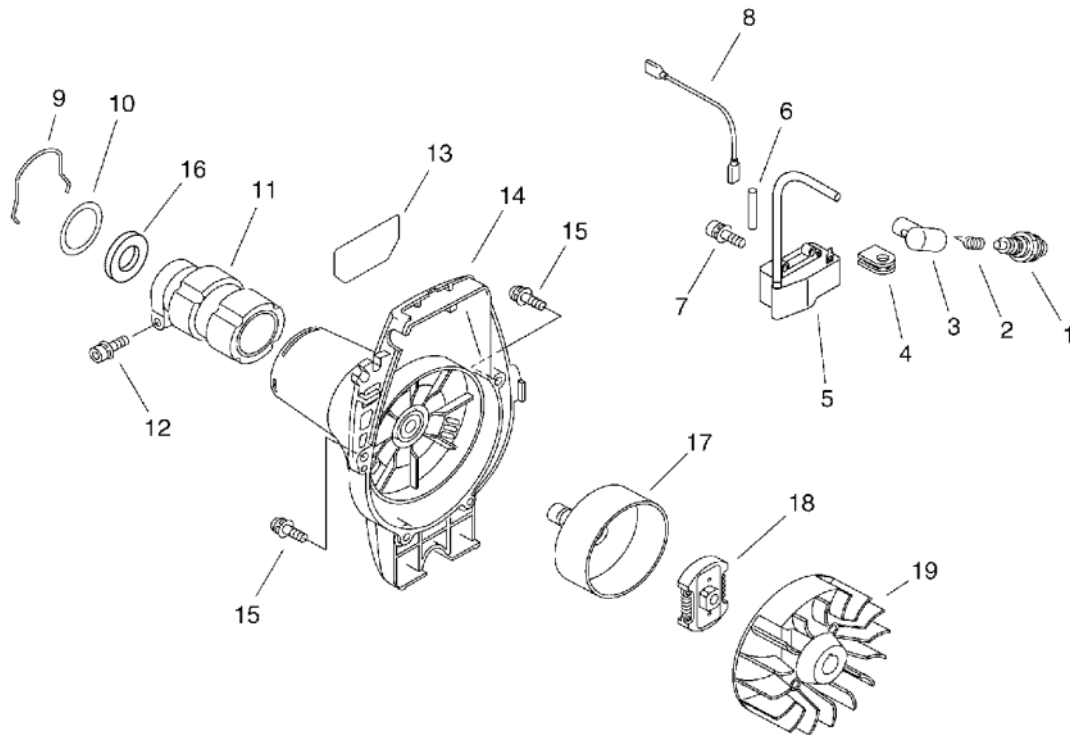
SRM-220ES(36)

1. Cylinder, Crankcase, Piston



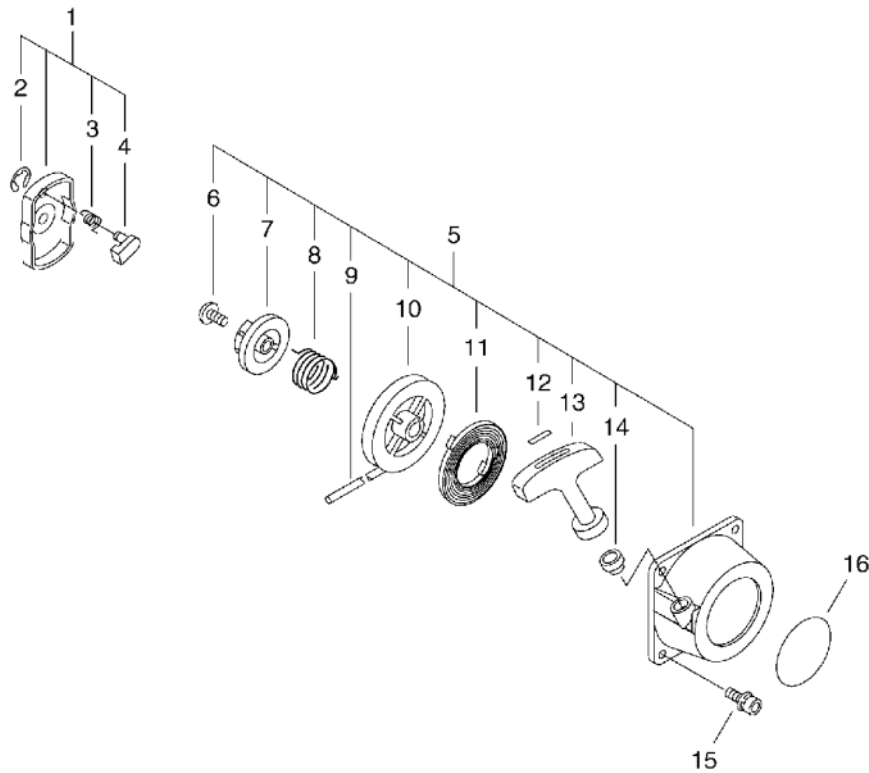
KEY	LV	PART NUMBER	Q'TY	DESCRIPTION	REMARKS	NOTE1	NOTE2
1		A130-000540	1	CYLINDER			
2		900162-05022	2	BOLT, H.S. 5*22	5*22 W,SW		
3		V100-000160	1	GASKET, CYL			
4		P021-007712	1	PISTON KIT			
5	+	A101-000090	1	RING, PISTON			
6	+	100013-11520	1	PIN, PISTON			
7	+	100015-04630	2	CIRCLIP, PISTON PIN			
8	+	100014-11520	2	SPACER, PISTON PIN			
9		100204-52132	1	CRANKCASE KIT			
10	+	100212-42031	2	OILSEAL	ISCD 12*22*4.5		
11	+	900162-05028	3	BOLT, H.S. 5*28	5*28 W,SW		
12	+	100242-42030	1	GASKET, CRANKCASE			
13	+	94035-36201	2	BEARING BALL	6201X3JR2C3		
14	+	100215-03930	2	PIN, DOWEL			
15		A011-000101	1	CRANKSHAFT, ASM			
16	+	V553-000010	1	BEARING, NEEDLE 8	HK0810		
17		900253-05020	1	SCREW 5*20	5*20		
18		A162-000130	1	GUARD, TOP			
19		A160-000890	1	COVER, CYLINDER			
20		V202-000090	2	BOLT, 4	4*16		

2. Magneto, Clutch, Fan Cover



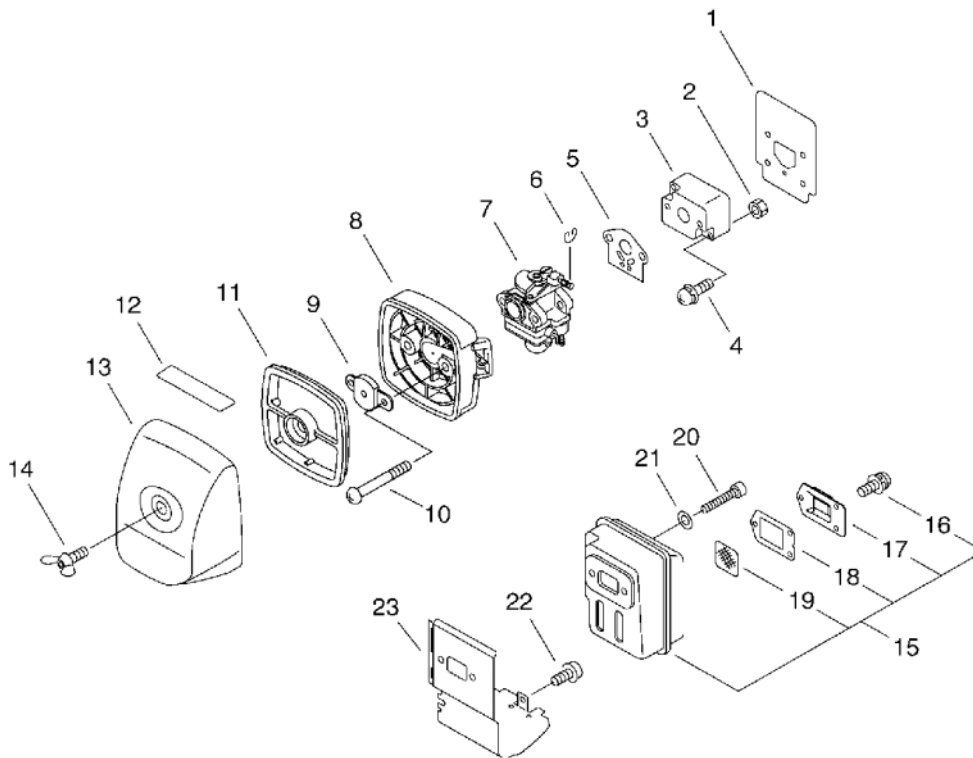
KEY	LV	PART NUMBER	Q'TY	DESCRIPTION	REMARKS	NOTE1	NOTE2
1		A425-000000	1	SPARKPLUG	BPMR8Y		
2		159011-03432	1	COIL, SPARK PLUG			
3		159012-03433	1	CAP, SPARK PLUG			
4		156112-40630	1	GROMMET			
5		A411-000140	1	COIL,IGNITION			
6		156110-54930	1	TUBE	7*8.6*18.5	Sus. by V475-003960	
6		V475-003960	1	TUBE			
7		900162-04020	2	BOLT, H.S. 4*20	4*20 W,SW		
8		162010-52830	1	LEAD, GROUND			
9		660316-55630	1	CLIP			
10		V315-000030	1	WASHER,CIRCULAR 30	33.5*41.0*T0.5		
11		610922-55931	1	HOLDER, MAIN PIPE			
12		91118-05028	1	BOLT	CM-5*28		
13		X547-000530	1	LABEL,ECHO	SRM-220ES		
14		A172-000320	1	COVER,FAN			
15		91363-04016	4	SCREW	SMB-4*16/W,SW		
16		175313-20430	1	RING, FELT			
17		175005-44331	1	DRUM, CLUTCH			
18		175000-56830	1	CLUTCH ASSY		Sus. by 175000-56831	
18		175000-56831	1	CLUTCH ASSEMBLY			
19		A409-000210	1	ROTOR,MAGNETO			

3. Starter



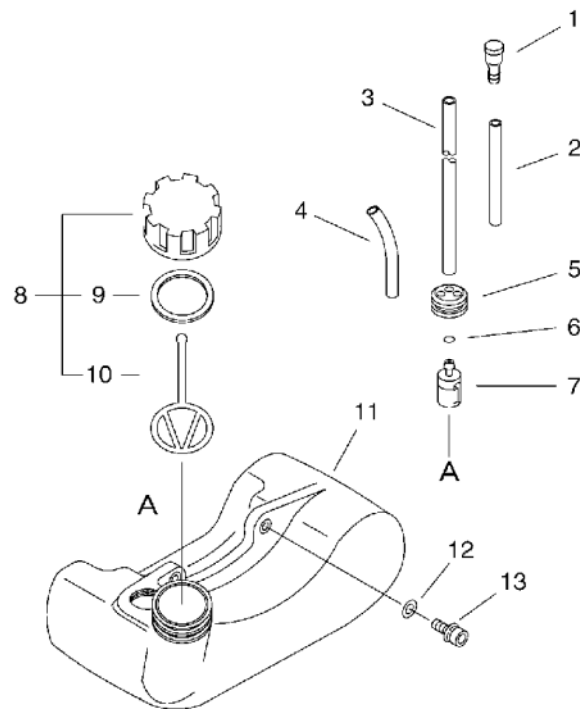
KEY	LV	PART NUMBER	Q'TY	DESCRIPTION	REMARKS	NOTE1	NOTE2
1		A052-000180	1	PULLEY,ASM STARTER			
2	+	P022-002100	2	E-RING	4		
3	+	P022-006510	2	SPRING, RETURN			
4	+	P022-006850	2	PAWL, STARTER			
5		A051-000740	1	STARTER,RECOIL			
6	+	177236-61830	1	SCREW			
7	+	P022-008280	1	PLATE, CAM			
8	+	P022-008270	1	SPRING,DAMPER			
9	+	P022-008260	1	ROPE	3M/M		
10	+	P022-006830	1	DRUM			
11	+	177220-42030	1	SPRING, REWIND			
12	+	177246-11120	1	CLIP, STARTER ROPE			
13	+	177228-27030	1	GRIP, STARTER			
14	+	177227-42030	1	GUIDE, ROPE			
15		V202-000090	2	BOLT,4	4*16		
16		X502-000330	1	LABEL,ECHO	ECHO		

4. Air Cleaner, Carburetor, Muffler



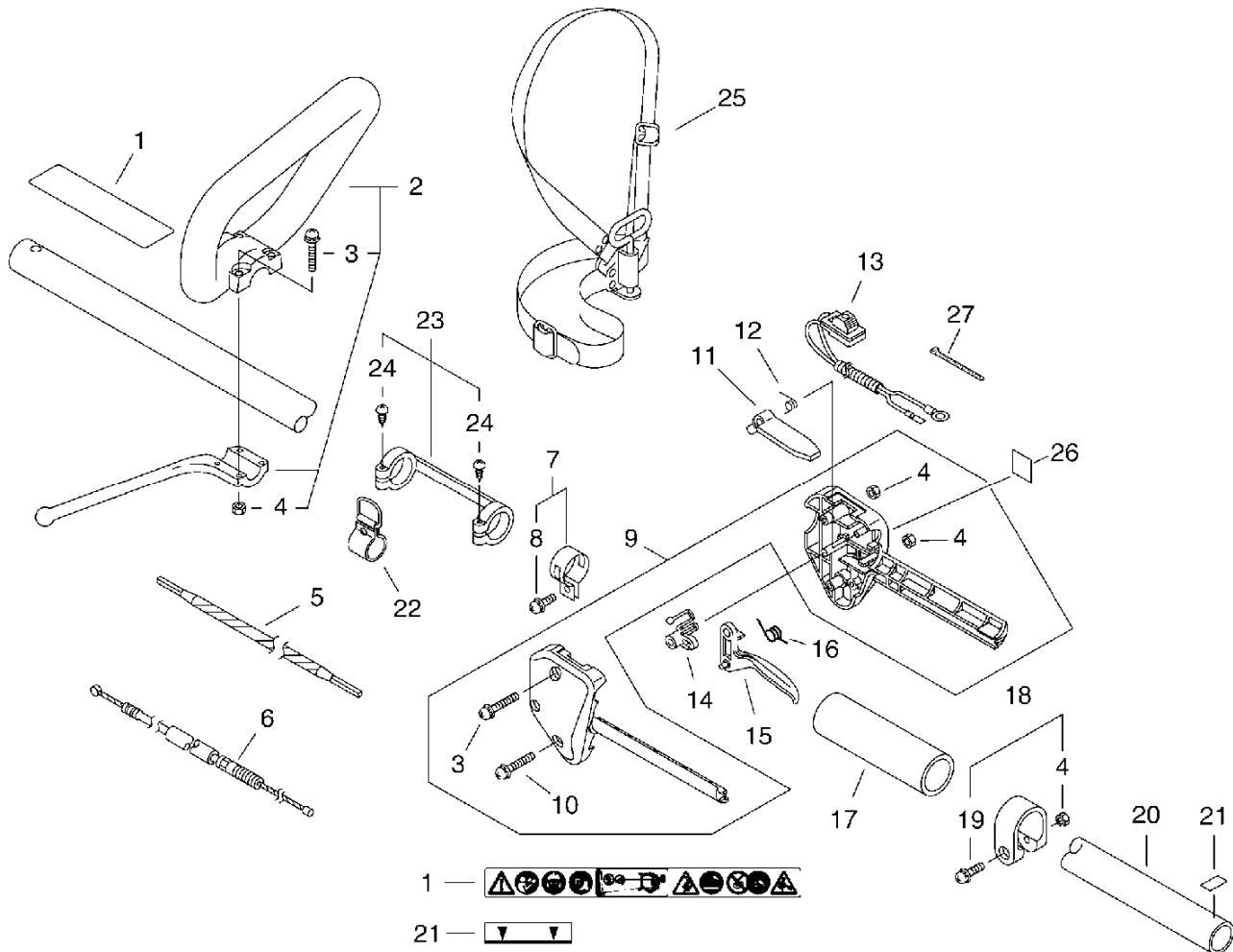
KEY	LV	PART NUMBER	Q'TY	DESCRIPTION	REMARKS	NOTE1	NOTE2
1		130010-42032	1	GASKET,INTAKE			
2		900500-00005	2	NUT 5	5		
3		130017-44330	1	INSULATOR			
4		900238-05020	2	SCREW 5*20	5*20		
5		130010-13410	1	GASKET, INTAKE			
6		100015-00120	1	CIRCLIP, PISTON PIN			
7		A021-001460	1	CARBURETOR,DIAPHRAGM	RB-K87		
8		P021-004480	1	CASE, AIR CLEANER			
9		129011-52730	1	PLATE, PREVENT			
10		900220-05065	2	SCREW 5*65	5*65		
11		130310-54130	1	FILTER, AIR			
12		890332-52730	1	LABEL, CHOKE			
13		130313-05863	1	LID, AIR CLEANER			
14		210417-52730	1	BOLT, WING	5*20		
15		P021-007420	1	MUFFLER ASY			
16	+	900242-04010	3	SCREW 4*10	4*10		
17	+	A313-000580	1	GUIDE,EXH			
18	+	145866-42031	1	GASKET, MUFFLER LID			
19	+	145862-40630	1	SCREEN, MUFFLER			
20		900105-05055	2	BOLT, H.S. 5*55	5*55		
21		900600-00005	2	WASHER 5	5		
22		91121-04008	1	BOLT, FLANGE	M4*8 10.9		
23		V104-000500	1	GASKET,EXHAUST			

5. Fuel Tank



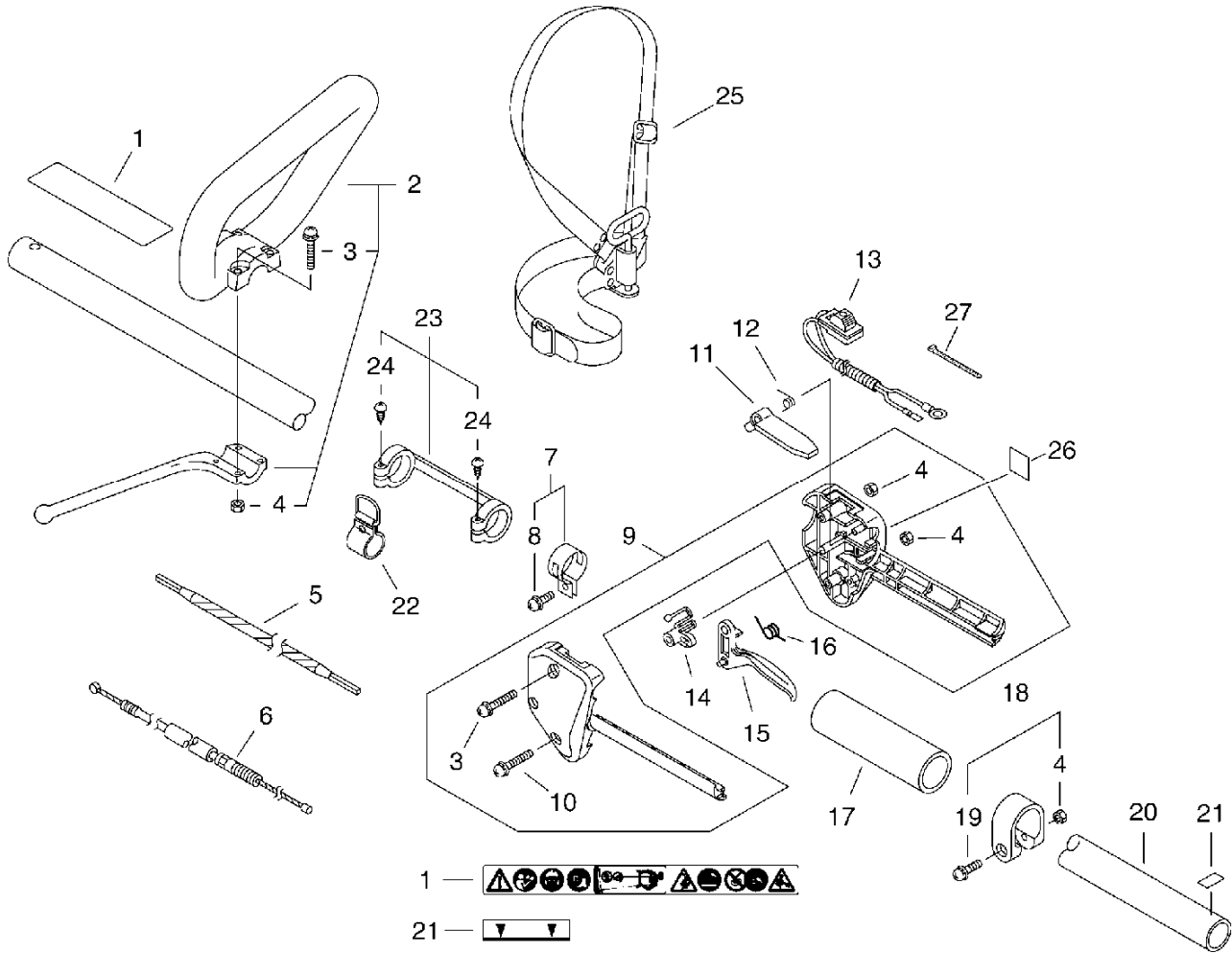
KEY	LV	PART NUMBER	Q'TY	DESCRIPTION	REMARKS	NOTE1	NOTE2
1		A356-000030	1	VALVE,CHECK			
2		V471-001200	1	PIPE	3*5*70 NBR		
3		V471-001190	1	PIPE	3*5*180 NBR		
4		132012-56030	1	PIPE	3*6*80 YL		
5		132115-46730	1	GROMMET, FUEL			
6		132013-09820	1	CLIP	6MM		
7		131205-07320	1	STRAINER, FUEL			
8		P021-012210	1	CAP,FUEL ASY			
9	+	131016-55830	1	GASKET, FUEL CAP			
10	+	A365-000060	1	CONNECTOR,CAP	L=123		
11		A350-000480	1	TANK, FUEL			
12		900603-00005	2	WASHER 5	5.5*12*0.8		
13		91118-05020	2	BOLT	CM-5*20		

6. Handle



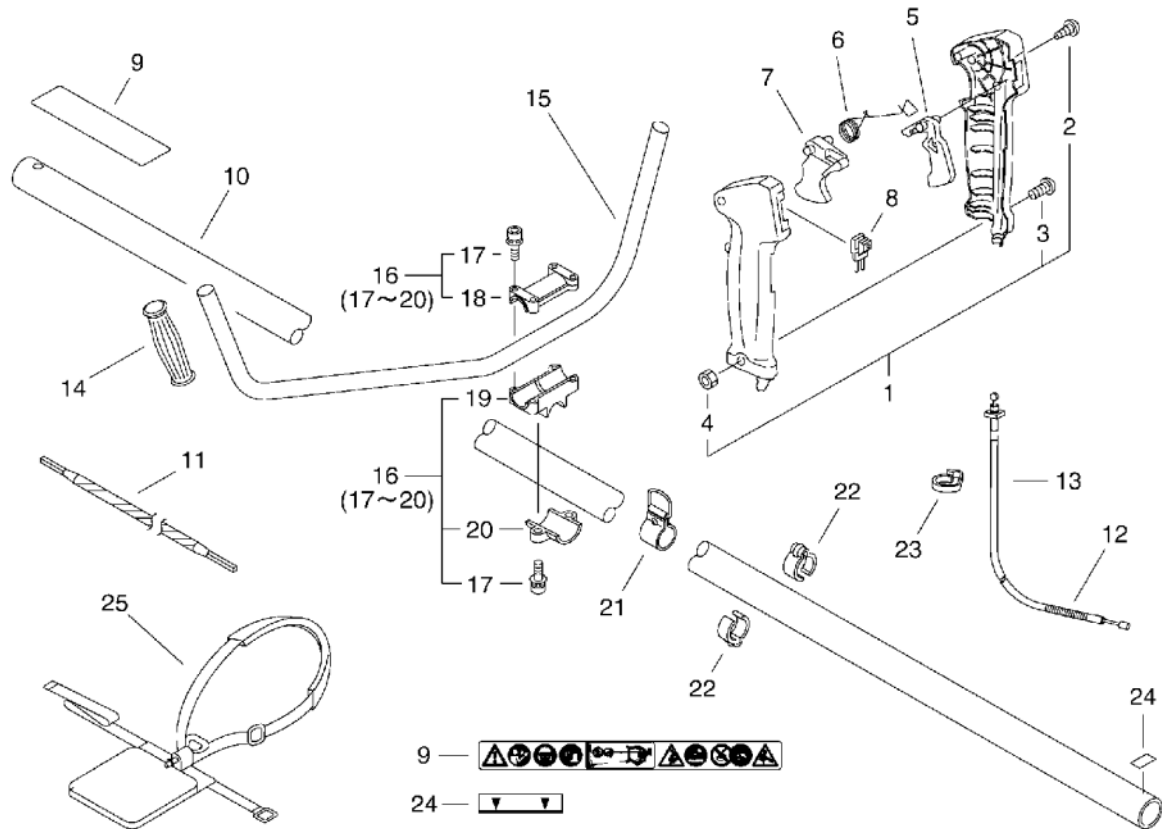
KEY	LV	PART NUMBER	Q'TY	DESCRIPTION	REMARKS	NOTE1	NOTE2
1		890617-43130	1	LABEL,CAUTION			
2		351201-54130	1	HANDLE ASSY, LOOP			
3	+	900242-05035	4	SCREW 5*35	5*35		
4	+	900500-00005	4	NUT 5	5		
5		610013-44730	1	SHAFT, FLEXIBLE			
6		V430-001880	1	CABLE,BOWDEN	320+71		
7		301200-29430	1	BAND ASSY			
8	+	900242-05014	1	SCREW 5*14	5*14		
9		178003-52130	1	BRACKET SET,THROTTLE			
3	+	900242-05035	1	SCREW 5*35	5*35		
4	+	900500-00005	2	NUT 5	5		
10	+	900242-05025	1	SCREW 5*25	5*25		
11		178090-52632	1	LOCKOUT, T. CONTROL			
12		178013-52630	1	SPRING, THR. LOCK			
13		A440-000831	1	SWITCH, ON OFF			
14		178012-52630	1	LOCKOUT, THROTTLE			
15		178010-52130	1	CONTROL, THROTTLE			
16		178043-42230	1	SPRING, THR. RETURN			
17		C403-000140	1	GRIP, HANDLE	L129.5*28		
18		610272-52130	1	BAND			
4	+	900500-00005	1	NUT 5	5		
19	+	900242-05028	1	SCREW 5*28	5*28		
20		610206-44730	1	HOUSING ASSY, D.SHFT			
21		890152-04930	1	LABEL, CAUTION			
22		301200-46830	1	HOOK, LIFTING			
23		610281-54130	1	COLLER			

6. Handle



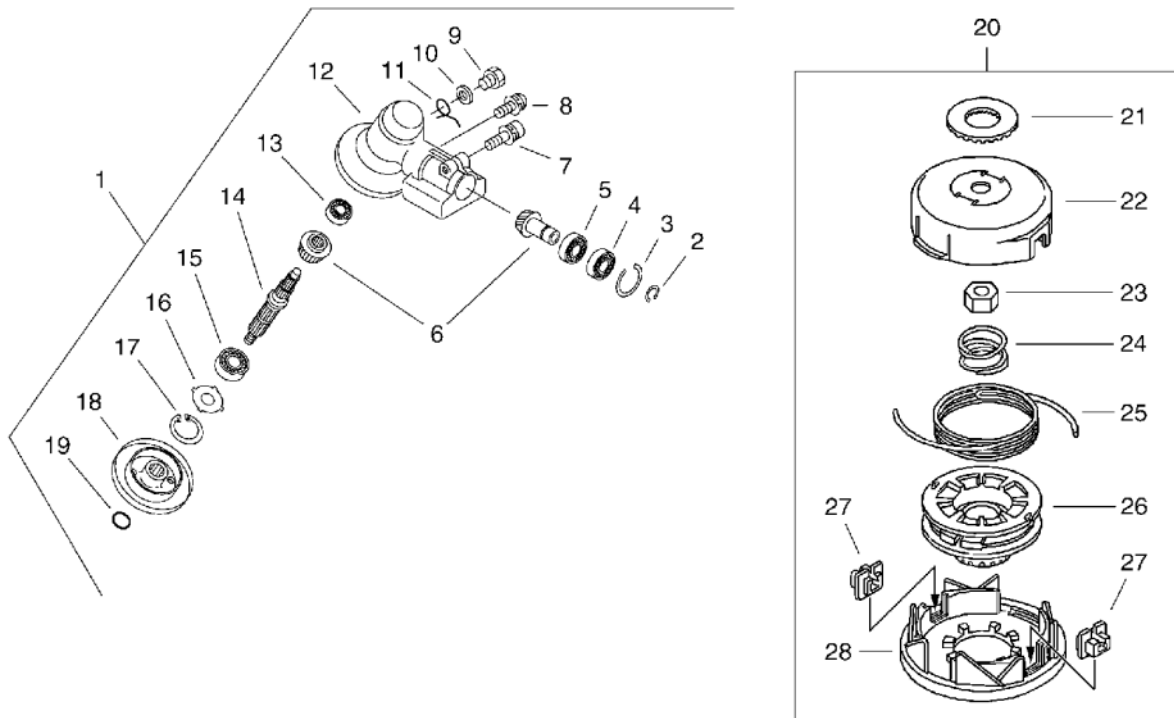
KEY	LV	PART NUMBER	Q'TY	DESCRIPTION	REMARKS	NOTE1	NOTE2
24	+	900253-04025	2	SCREW 4*25	4*25		
25		301001-46731	1	HARNESS, SHOULDER	L1910,L1550		
26		890157-39130	1	LABEL, SWITCH			
27		V495-001030	2	BAND		Sus. by 178121-08550	
27		178121-08550	2	BAND	CV-100		

7. Handle



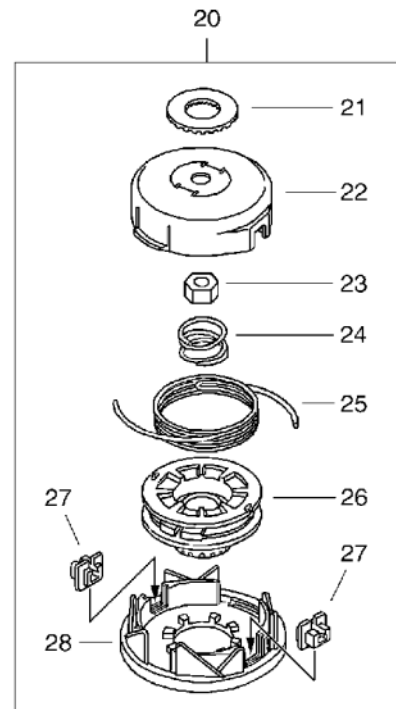
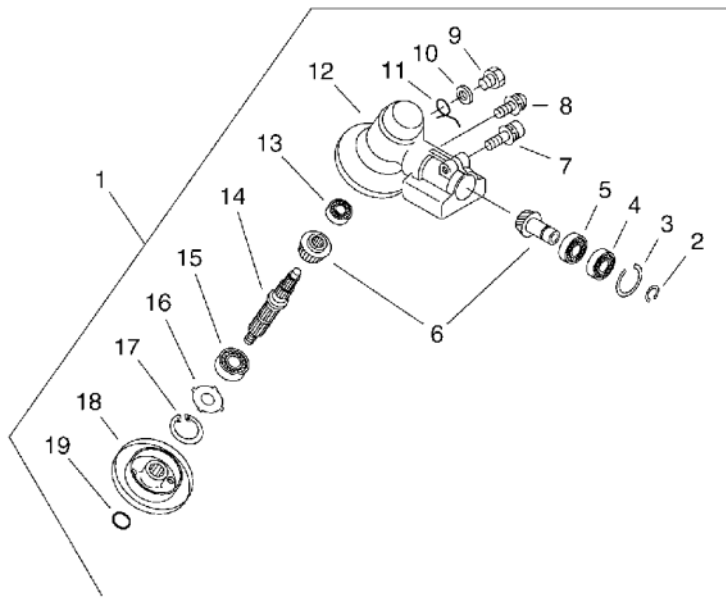
KEY	LV	PART NUMBER	Q'TY	DESCRIPTION	REMARKS	NOTE1	NOTE2
1		351102-47530	1	GRIP ASSY, F-HANDLE			
2	+	900246-03025	4	SCREW 3*25	3*25		
3	+	900220-05030	1	SCREW 5*30	5*30		
4	+	900500-00005	1	NUT 5	5		
5		178012-05960	1	LOCKOUT, THROTTLE			
6		178013-35631	1	SPRING, THR. LOCK			
7		178010-05960	1	CONTROL, THROTTLE			
8		P021-013180	1	SWITCH, ON OFF			
9		890617-43130	1	LABEL, CAUTION			
10		610206-44730	1	HOUSING ASSY, D.SHFT			
11		610013-44730	1	SHAFT, FLEXIBLE			
12		V475-003830	1	TUBE	7*730		
13		V430-001870	1	CABLE, BOWDEN	760+151		
14		351311-02330	1	GRIP, HANDLE			
15		C400-000211	1	HANDLE, FRONT			
16		351301-22333	1	BRACKET ASY, HANDLE			
17	+	91118-05025	6	BOLT	CM-5*25		
18	+	351313-22332	1	BRACKET, HANDLE (U)			
19	+	351312-22331	1	BRACKET, HANDLE (C)			
20	+	351314-22332	1	BRACKET, HANDLE (L)			
21		301200-46830	1	HOOK, LIFTING			
22		224924-52130	2	CLIP	25MM		
23		159112-09961	1	CLIP			
24		890152-04930	1	LABEL, CAUTION			
25		301001-44731	1	HARNESS, SHOULDER	L1700, L1400		

8. Gear Case, Nylon Line Head



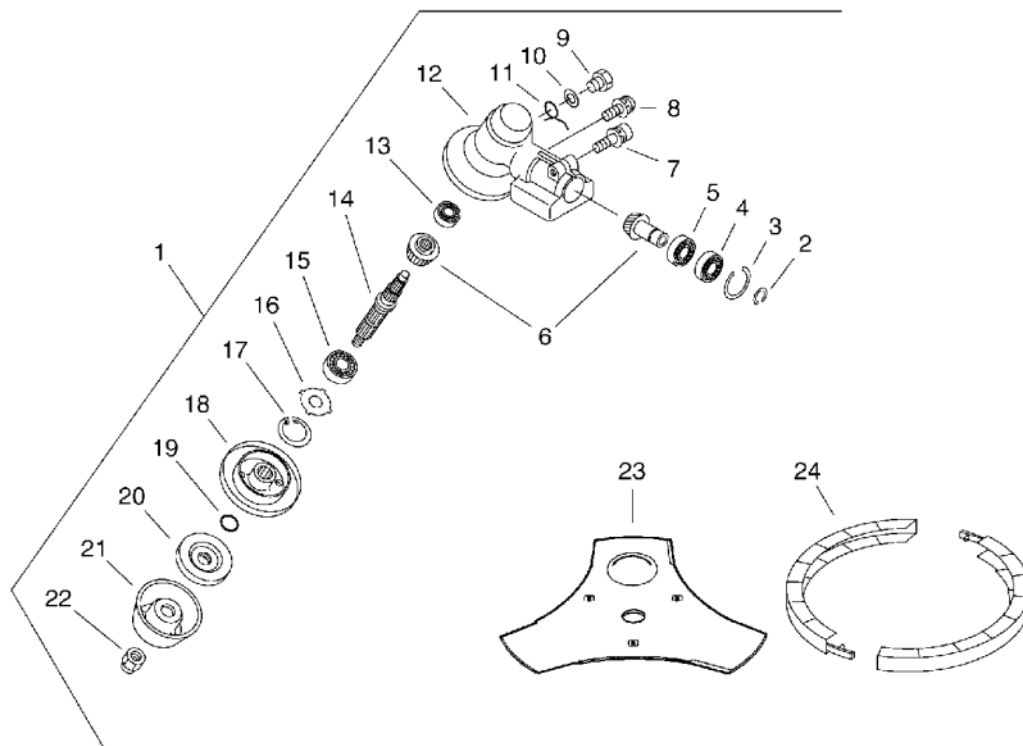
KEY	LV	PART NUMBER	Q'TY	DESCRIPTION	REMARKS	NOTE1	NOTE2
1		P021-013130	1	CASE ASY, GEAR			
2	+	900706-00010	1	CIRCLIP 10	WR-10		
3	+	900702-00022	1	CIRCLIP 22	CR-22		
4	+	900858-06900	1	BEARING, BALL 6900Z	6900Z		
5	+	900855-06900	1	BEARING, BALL 6900	6900		
6	+	610300-42330	1	GEAR SET			
7	+	91118-06025	1	BOLT			
8	+	900242-05010	1	SCREW 5*10	5*10		
9	+	610434-50031	1	BOLT 8* 8	M8*8		
10	+	900603-50008	1	WASHER	8.5*18*0.8T		
11	+	610473-52131	1	SPRING			
12	+	610410-52131	1	CASE, GEAR			
13	+	900810-00626	1	BEARING, BALL 626	626		
14	+	610310-56830	1	SHAFT, P.T.O.			
15	+	900812-06201	1	BEARING, BALL 6201	6201DDU(LLU)		
16	+	610444-56830	1	WASHER			
17	+	900702-00032	1	CIRCLIP 32	CR-32		
18	+	C535-000001	1	FIXTURE, BLADE			
19	+	900720-00012	1	O-RING 12	P-12		
20		X047-000260	1	CUTTER, ASM LINE	F4/10 M10L		
21	+	V332-000000	1	WASHER, CIRCULAR 24			
22	+	P022-003310	1	HOUSING			
23	+	P022-001220	1	NUT			
24	+	P022-001250	1	SPRING	DS-3/10		
25	+	P022-006190	1	NYLON CODE	3.0*2M		
26	+	P022-001260	1	BOBBIN	DS-3/10		

8. Gear Case, Nylon Line Head



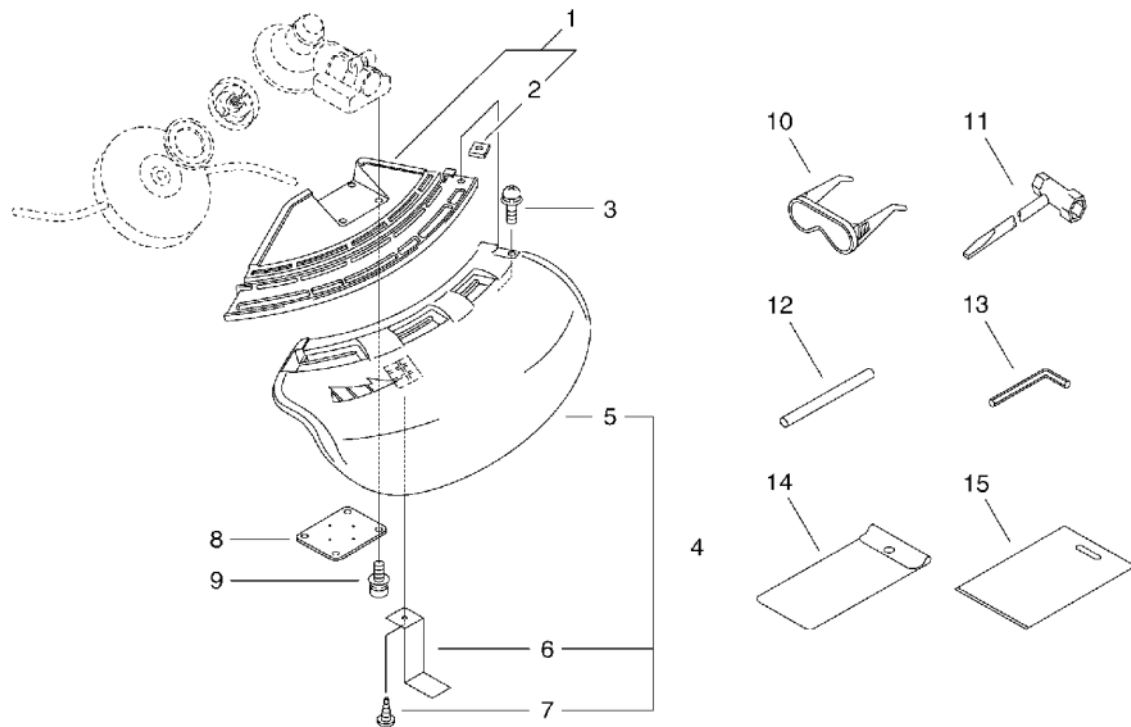
KEY	LV	PART NUMBER	Q'TY	DESCRIPTION	REMARKS	NOTE1	NOTE2
27	+	P022-000710	2	EYELET	T4		
28	+	P022-003330	1	COVER			

9. Gear Case, Blade



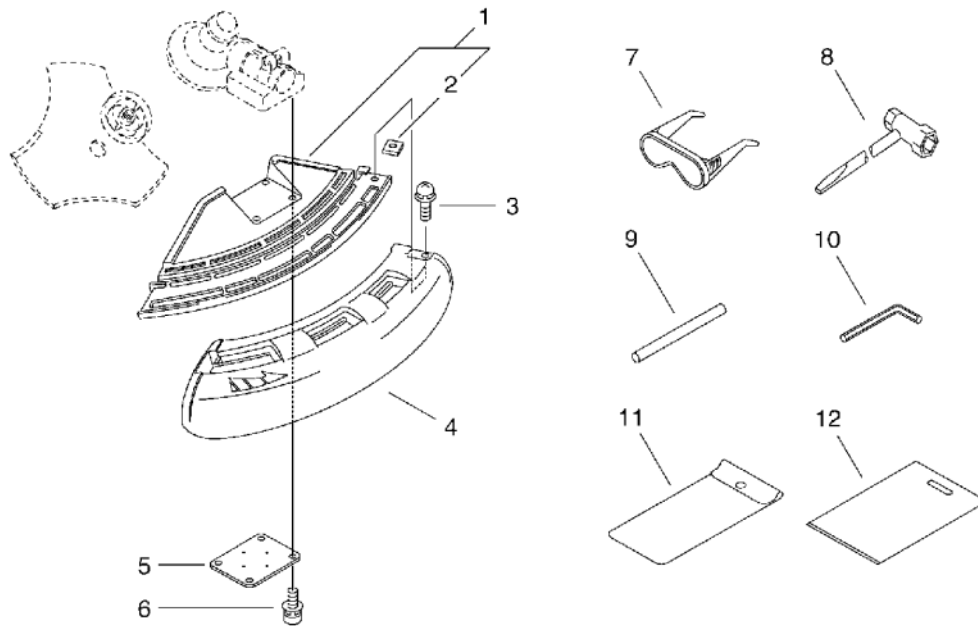
KEY	LV	PART NUMBER	Q'TY	DESCRIPTION	REMARKS	NOTE1	NOTE2
1		P021-005782	1	HOUSING ASY,GEAR			
2	+	900706-00010	1	CIRCLIP 10	WR-10		
3	+	900702-00022	1	CIRCLIP 22	CR-22		
4	+	900858-06900	1	BEARING, BALL 6900Z	6900Z		
5	+	900855-06900	1	BEARING, BALL 6900	6900		
6	+	610300-42330	1	GEAR SET			
7	+	91118-06025	1	BOLT			
8	+	900242-05010	1	SCREW 5*10	5*10		
9	+	610434-50031	1	BOLT 8*8	M8*8		
10	+	900603-50008	1	WASHER	8.5*18*0.8T		
11	+	610473-52131	1	SPRING			
12	+	610410-52131	1	CASE, GEAR			
13	+	900810-00626	1	BEARING, BALL 626	626		
14	+	610310-56830	1	SHAFT, P.T.O.			
15	+	900812-06201	1	BEARING, BALL 6201	6201DDU(LLU)		
16	+	610444-56830	1	WASHER			
17	+	900702-00032	1	CIRCLIP 32	CR-32		
18	+	C535-000001	1	FIXTURE, BLADE			
19	+	900720-00012	1	O-RING 12	P-12		
20	+	610314-52130	1	PLATE, ADAPTER (L)			
21	+	699229-56830	1	PLATE, COVER			
22	+	610320-52130	1	NUT 10			
23		X405-000011	1	SAW, BUSH CUTTER	3*230*25.4*T2.0		
24		P021-007470	1	SCABBARD, BLADE			

10. Shield, Tools



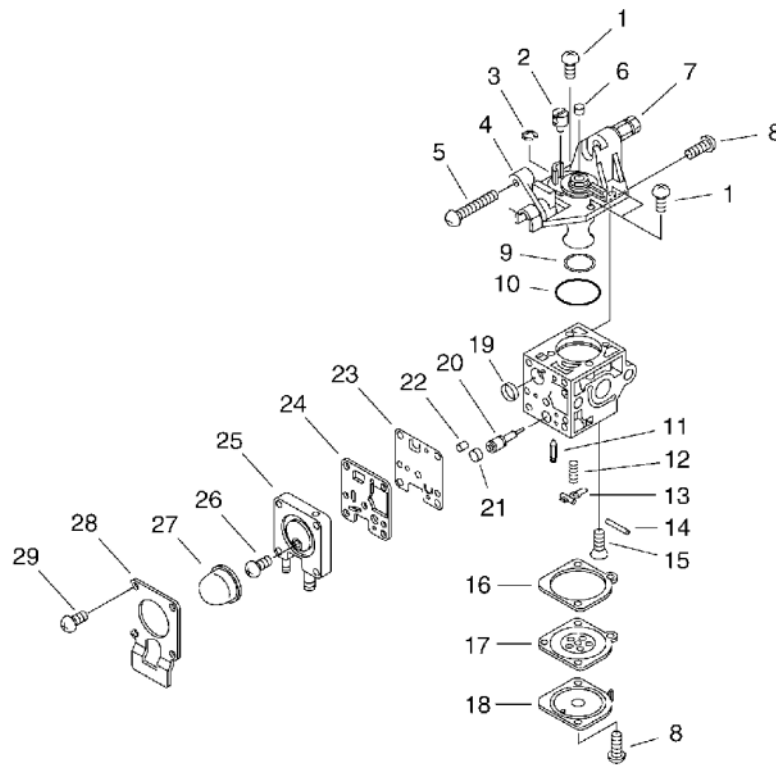
KEY	LV	PART NUMBER	Q'TY	DESCRIPTION	REMARKS	NOTE1	NOTE2
1		C550-000100	1	SHIELD,BLADE			
2	+	900565-00005	1	NUT	5		
3		900242-05018	1	SCREW 5*18	5*18		
4		P021-002620	1	SHIELD,BLADE(W/KNIFE			
5	+	C550-000080	1	SHIELD,BLADE			
6	+	C554-000000	1	KNIFE,CORD			
7	+	900252-05012	1	SCREW 5*12	5*12		
8		699013-56830	1	PLATE, SHIELD			
9		91118-05025	4	BOLT	CM-5*25		
10		P021-002861	1	GOGGLES			
11		895410-02830	1	WRENCH, W/S. DRIVER			
12		897518-01131	1	LOCKING TOOL			
13		895610-00130	1	L-WRENCH (4MM)			
14		898510-39130	1	BAG, TOOL			
15		X698-000040	1	TOOL,CASE	400*500		

11. Shield, Tools



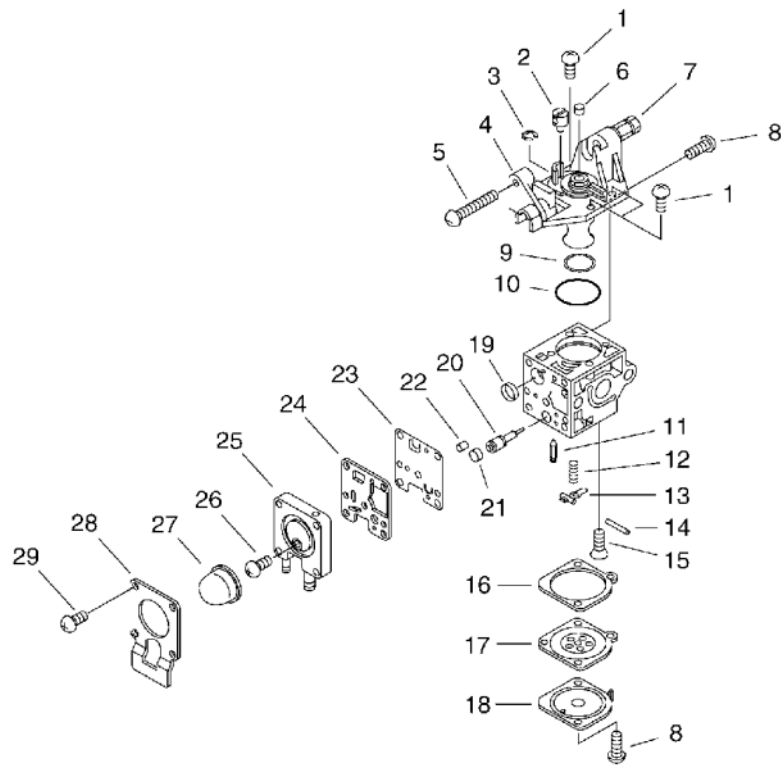
KEY	LV	PART NUMBER	Q'TY	DESCRIPTION	REMARKS	NOTE1	NOTE2
1		C550-000100	1	SHIELD,BLADE			
2	+	900565-00005	1	NUT	5		
3		900242-05018	1	SCREW 5*18	5*18		
4		C550-000090	1	SHIELD,BLADE			
5		699013-56830	1	PLATE, SHIELD			
6		91118-05025	4	BOLT	CM-5*25		
7		P021-002861	1	GOGGLES			
8		895410-02830	1	WRENCH, W/S. DRIVER			
9		897518-01131	1	LOCKING TOOL			
10		895610-00130	1	L-WRENCH (4MM)			
11		898510-39130	1	BAG, TOOL			
12		X698-000040	1	TOOL,CASE	400*500		

12. Carburetor



KEY	LV	PART NUMBER	Q'TY	DESCRIPTION	REMARKS	NOTE1	NOTE2
		A021-001460	1	CARBURETOR,DIAPHRAGM	RB-K87		
1	+	125344-13931	3	SCREW			
2	+	P005-001240	1	POST			
3	+	P005-000190	1	E-RING			
4	+	P005-001320	1	COVER ASY, ROTOR			
5	+	P005-000100	1	SCREW,THROTTLEADJUST			
6	+	P005-001270	1	PLUG, H AJUST SCREW			
7	+	C486-000000	1	CABLE, ADJUSTER			
8	+	125344-52130	3	SCREW			
9	+	P005-001000	1	ROLLER, GUIDE			
10	+	P005-000280	1	O-RING			
11	+	125337-08260	1	VALVE, INLET NEEDLE			
12	+	P005-000940	1	SPRING, METER. LEVER			
13	+	125323-08260	1	ARM, VALVE			
14	+	125338-13930	1	PIN, METERING ARM			
15	+	125339-42030	1	SCREW			
16	+	P005-000200	1	GASKET, METERING			
17	+	P005-001780	1	DIAPHRAGM			
18	+	125342-52130	1	COVER, DIAPHRAGM			
19	+	P005-000010	1	STRAINER			
20	+	P005-001260	1	SCREW,MAINN MIXTURE			
21	+	P005-001270	1	PLUG, H AJUST SCREW			
22	+	P005-001250	1	RETAINER,PLUG BALL			
23	+	P005-000510	1	DIAPHRAGM, PUMP			
24	+	P005-000520	1	GASKET, PUMP			

12. Carburetor



KEY	LV	PART NUMBER	Q'TY	DESCRIPTION	REMARKS	NOTE1	NOTE2
25	+	P05-000930	1	BASE, ASY PRIMER		Sus. by P05-001890	
25	+	P05-001890	1	BASE, ASY PRIMER			
26	+	P05-000270	1	SCREW			
27	+	125381-46730	1	PUMP, PRIMING			
28	+	P05-000250	1	RETAINER			
29	+	P05-001900	4	SCREW			

13. Repair Kit

KEY	LV	PART NUMBER	Q'TY	DESCRIPTION	REMARKS	NOTE1	NOTE2
		P005-001660	1	DIAPHRAGM/GASKET KIT			
2-16	+	P005-000200	1	GASKET, METERING			
2-17	+	P005-001780	1	DIAPHRAGM			
2-23	+	P005-000510	1	DIAPHRAGM, PUMP			
2-24	+	P005-000520	1	GASKET, PUMP			
		P005-001670	1	REBUILD KIT			
2-9	+	P005-001000	1	ROLLER, GUIDE			
2-11	+	125337-08260	1	VALVE, INLET NEEDLE			
2-13	+	125323-08260	1	ARM, VALVE			
2-14	+	125338-13930	1	PIN, METERING ARM			
2-16	+	P005-000200	1	GASKET, METERING			
2-17	+	P005-001780	1	DIAPHRAGM			
2-19	+	P005-000010	1	STRAINER			
2-20	+	P005-000940	1	SPRING, METER. LEVER			
2-23	+	P005-000510	1	DIAPHRAGM, PUMP			
2-24	+	P005-000520	1	GASKET, PUMP			

Index

Patrs Number	Key No.	Patrs Number	Key No.	Patrs Number	Key No.
100013-11520	1 - 6	178010-52130	6 - 15	890157-39130	6 - 26
100014-11520	1 - 8	178012-05960	7 - 5	890332-52730	4 - 12
100015-00120	4 - 6	178012-52630	6 - 14	890617-43130	6 - 1
100015-04630	1 - 7	178013-35631	7 - 6	890617-43130	7 - 9
100204-52132	1 - 9	178013-52630	6 - 12	895410-02830	10 - 11
100212-42031	1 - 10	178043-42230	6 - 16	895410-02830	11 - 8
100215-03930	1 - 14	178090-52632	6 - 11	895610-00130	10 - 13
100242-42030	1 - 12	178121-08550	6 - 27	895610-00130	11 - 10
125323-08260	12 - 13	210417-52730	4 - 14	897518-01131	10 - 12
125323-08260	13 - 2-13	224924-52130	7 - 22	897518-01131	11 - 9
125337-08260	12 - 11	301001-44731	7 - 25	898510-39130	10 - 14
125337-08260	13 - 2-11	301001-46731	6 - 25	898510-39130	11 - 11
125338-13930	12 - 14	301200-29430	6 - 7	900105-05055	4 - 20
125338-13930	13 - 2-14	301200-46830	6 - 22	900162-04020	2 - 7
125339-42030	12 - 15	301200-46830	7 - 21	900162-05022	1 - 2
125342-52130	12 - 18	351102-47530	7 - 1	900162-05028	1 - 11
125344-13931	12 - 1	351201-54130	6 - 2	900220-05030	7 - 3
125344-52130	12 - 8	351301-22333	7 - 16	900220-05065	4 - 10
125381-46730	12 - 27	351311-02330	7 - 14	900238-05020	4 - 4
129011-52730	4 - 9	351312-22331	7 - 19	900242-04010	4 - 16
130010-13410	4 - 5	351313-22332	7 - 18	900242-05010	8 - 8
130010-42032	4 - 1	351314-22332	7 - 20	900242-05010	9 - 8
130017-44330	4 - 3	610013-44730	6 - 5	900242-05014	6 - 8
130310-54130	4 - 11	610013-44730	7 - 11	900242-05018	10 - 3
130313-05863	4 - 13	610206-44730	6 - 20	900242-05018	11 - 3
131016-55830	5 - 9	610206-44730	7 - 10	900242-05025	6 - 10
131205-07320	5 - 7	610272-52130	6 - 18	900242-05028	6 - 19
132012-56030	5 - 4	610281-54130	6 - 23	900242-05035	6 - 3
132013-09820	5 - 6	610300-42330	8 - 6	900242-05035	6 - 3
132115-46730	5 - 5	610300-42330	9 - 6	900246-03025	7 - 2
145862-40630	4 - 19	610310-56830	8 - 14	900252-05012	10 - 7
145866-42031	4 - 18	610310-56830	9 - 14	900253-04025	6 - 24
156110-54930	2 - 6	610314-52130	9 - 20	900253-05020	1 - 17
156112-40630	2 - 4	610320-52130	9 - 22	900500-00005	4 - 2
159011-03432	2 - 2	610410-52131	8 - 12	900500-00005	6 - 4
159012-03433	2 - 3	610410-52131	9 - 12	900500-00005	6 - 4
159112-09961	7 - 23	610434-50031	8 - 9	900500-00005	6 - 4
162010-52830	2 - 8	610434-50031	9 - 9	900500-00005	7 - 4
175000-56830	2 - 18	610444-56830	8 - 16	900565-00005	10 - 2
175000-56831	2 - 18	610444-56830	9 - 16	900565-00005	11 - 2
175005-44331	2 - 17	610473-52131	8 - 11	900600-00005	4 - 21
175313-20430	2 - 16	610473-52131	9 - 11	900603-00005	5 - 12
177220-42030	3 - 11	610922-55931	2 - 11	900603-50008	8 - 10
177227-42030	3 - 14	660316-55630	2 - 9	900603-50008	9 - 10
177228-27030	3 - 13	699013-56830	10 - 8	900702-00022	8 - 3
177236-61830	3 - 6	699013-56830	11 - 5	900702-00022	9 - 3
177246-11120	3 - 12	699229-56830	9 - 21	900702-00032	8 - 17
178003-52130	6 - 9	890152-04930	6 - 21	900702-00032	9 - 17
178010-05960	7 - 7	890152-04930	7 - 24	900706-00010	8 - 2

Index

Patrs Number	Key No.	Patrs Number	Key No.	Patrs Number	Key No.
900706-00010	9 - 2	P005-000010	12 - 19	P022-002100	3 - 2
900720-00012	8 - 19	P005-000010	13 - 2-19	P022-003310	8 - 22
900720-00012	9 - 19	P005-000100	12 - 5	P022-003330	8 - 28
900810-00626	8 - 13	P005-000190	12 - 3	P022-006190	8 - 25
900810-00626	9 - 13	P005-000200	12 - 16	P022-006510	3 - 3
900812-06201	8 - 15	P005-000200	13 - 2-16	P022-006830	3 - 10
900812-06201	9 - 15	P005-000200	13 - 2-16	P022-006850	3 - 4
900855-06900	8 - 5	P005-000250	12 - 28	P022-008260	3 - 9
900855-06900	9 - 5	P005-000270	12 - 26	P022-008270	3 - 8
900858-06900	8 - 4	P005-000280	12 - 10	P022-008280	3 - 7
900858-06900	9 - 4	P005-000510	12 - 23	V100-000160	1 - 3
91118-05020	5 - 13	P005-000510	13 - 2-23	V104-000500	4 - 23
91118-05025	10 - 9	P005-000510	13 - 2-23	V202-000090	1 - 20
91118-05025	11 - 6	P005-000520	12 - 24	V202-000090	3 - 15
91118-05025	7 - 17	P005-000520	13 - 2-24	V315-000030	2 - 10
91118-05028	2 - 12	P005-000520	13 - 2-24	V332-000000	8 - 21
91118-06025	8 - 7	P005-000930	12 - 25	V430-001870	7 - 13
91118-06025	9 - 7	P005-000940	12 - 12	V430-001880	6 - 6
91121-04008	4 - 22	P005-000940	13 - 2-20	V471-001190	5 - 3
91363-04016	2 - 15	P005-001000	12 - 9	V471-001200	5 - 2
94035-36201	1 - 13	P005-001000	13 - 2-9	V475-003830	7 - 12
A011-000101	1 - 15	P005-001240	12 - 2	V475-003960	2 - 6
A021-001460	12 -	P005-001250	12 - 22	V495-001030	6 - 27
A021-001460	4 - 7	P005-001260	12 - 20	V553-000010	1 - 16
A051-000740	3 - 5	P005-001270	12 - 6	X047-000260	8 - 20
A052-000180	3 - 1	P005-001270	12 - 21	X405-000011	9 - 23
A101-000090	1 - 5	P005-001320	12 - 4	X502-000330	3 - 16
A130-000540	1 - 1	P005-001660	13 -	X547-000530	2 - 13
A160-000890	1 - 19	P005-001670	13 -	X698-000040	10 - 15
A162-000130	1 - 18	P005-001780	12 - 17	X698-000040	11 - 12
A172-000320	2 - 14	P005-001780	13 - 2-17		
A313-000580	4 - 17	P005-001780	13 - 2-17		
A350-000480	5 - 11	P005-001890	12 - 25		
A356-000030	5 - 1	P005-001900	12 - 29		
A365-000060	5 - 10	P021-002620	10 - 4		
A409-000210	2 - 19	P021-002861	10 - 10		
A411-000140	2 - 5	P021-002861	11 - 7		
A425-000000	2 - 1	P021-004480	4 - 8		
A440-000831	6 - 13	P021-005782	9 - 1		
C400-000211	7 - 15	P021-007420	4 - 15		
C403-000140	6 - 17	P021-007470	9 - 24		
C486-000000	12 - 7	P021-007712	1 - 4		
C535-000001	8 - 18	P021-012210	5 - 8		
C535-000001	9 - 18	P021-013130	8 - 1		
C550-000080	10 - 5	P021-013180	7 - 8		
C550-000090	11 - 4	P022-000710	8 - 27		
C550-000100	10 - 1	P022-001220	8 - 23		
C550-000100	11 - 1	P022-001250	8 - 24		
C554-000000	10 - 6	P022-001260	8 - 26		

YAMABIKO CORPORATION

7-2 SUEHIROCHO 1-CHOME, OHME, TOKYO 198-8760, JAPAN
PHONE: 81-428-32-6118. FAX: 81-428-32-6145.

