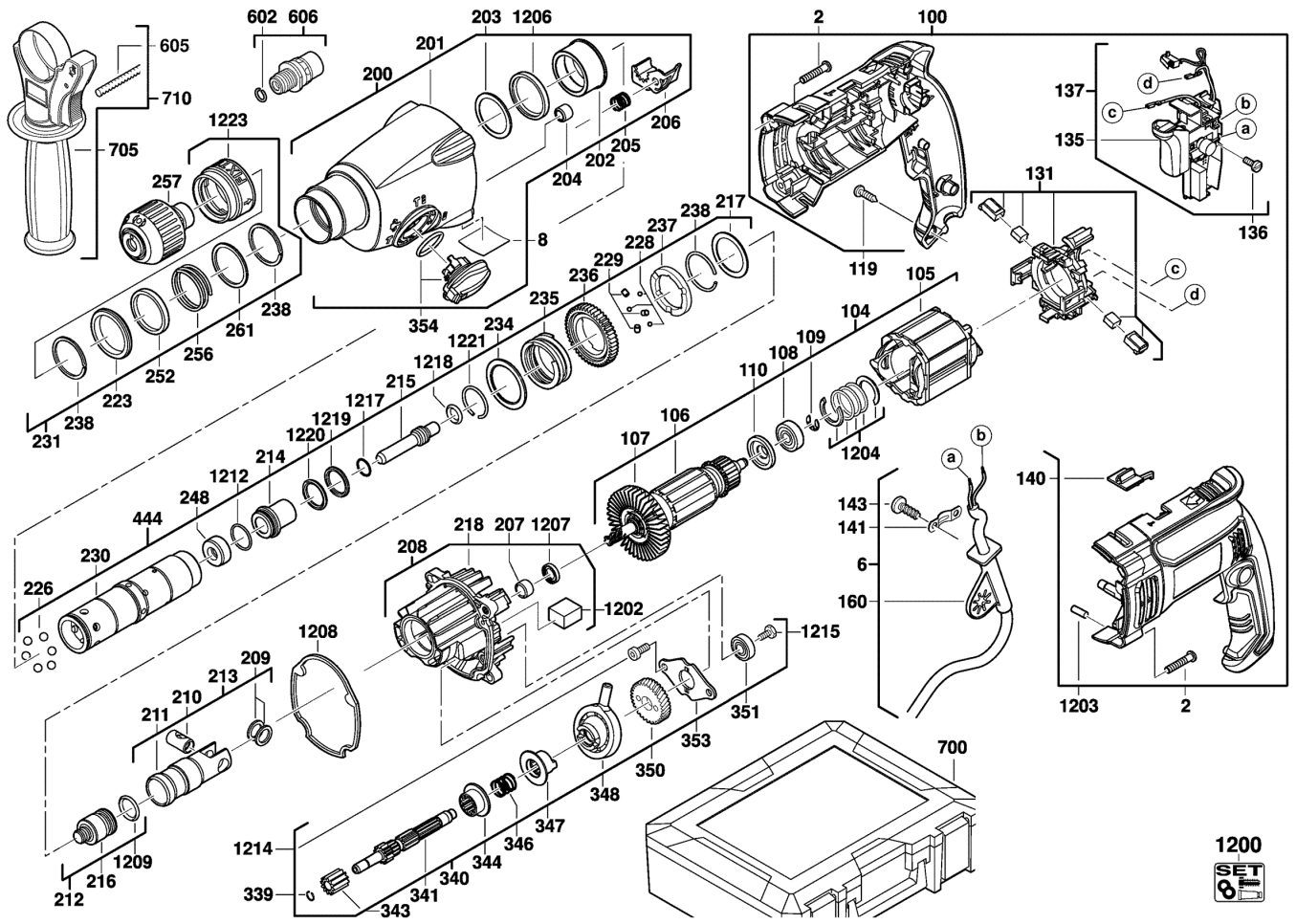


KH28SUPERXE COMBI HAMMER IN2

4935428190 - KH28SUPERXE - 4000428191





1200
SET
8

Position	Quantity	Description	Part number	EAN
0002	1	SCREW	661288001	4002395856282
0006	1	CONNECTION CABLE	201896004	4002395855100
0008	1	RATING PLATE	5131000000	
0100	1	HOUSING	201242005	4002395854400
0104	1	MOTOR	201238005	4002395854455
0105	1	ELECTRIC FIELD	4931454083	4002395287581
0106	1	ARMATURE	4931454427	4058546008550
0107	1	FAN	522361001	4002395854950
0108	1	BALL BEARING	681479001	4002395856374
0109	1	RING	680260001	4002395855698
0110	1	INSULATING DISC	522260001	4002395854905
0119	1	SCREW	661283001	4002395856299
0131	1	CLAMPING RING	302393010	4002395855575
0135	1	SWITCH	760452001	4002395855186
0136	1	SCREW	661321001	4002395854417
0137	1	SWITCH KIT	201894003	4002395855162
0140	1	SWITCH	522228001	4002395854493
0141	1	PUNCH GUIDE	632823001	4002395855155
0143	1	SCREW	661189001	4002395855148
0160	1	CABLE CLAMP	562023001	4002395854929
0200	1	GEAR BOX KIT	201220016	4002395857173
0201	1	GEAR BOX	522173002	4002395856855
0202	1	NEEDLE BEARING	5131000000	
0203	1	COMPENSATING WASHER	633514001	4002395856244
0204	1	NEEDLE BEARING	4931453736	4002395142149
0205	1	SPRING	692732001	4002395852017
0206	1	RETAINING PLATE	4931448985	4002395256174
0207	1	BEARING	680727001	4002395772087
0208	1	BEARING END PLATE	201235004	4002395856350
0209	1	WASHER	632400001	4002395856268
0210	1	CYLINDER PIN	692718001	4002395851966
0211	1	CYLINDER	692717001	4002395851959
0212	1	PERC. BODY W SEAL	201233002	4002395854264
0213	1	CYLINDER	4931446932	4002395879984
0214	1	SLEEVE	692722001	4002395851973
0215	1	SNAP DIE	692723001	4002395851980
0216	1	PERCUSSION BODY	692698001	4002395849635
0217	1	WASHER	633516001	4002395851324
0218	1	END PLATE	201910001	4002395856220
0223	1	STOP WASHER	692726001	4002395854172
0226	1	BALL	681486001	4002395851928
0228	1	BALL	611405001	4002395851201
0229	1	PIN	681235001	4002395851904
0230	1	SPINDLE SLEEVE	692720001	4002395854158
0231	1	SLEEVE	201219004	4002395857043
0234	1	WASHER	633517001	4002395851331
0235	1	SPRING	692735001	4002395852031
0236	1	REDUCTION GEAR	611291001	4002395850693
0237	1	CLUTCH	4931435089	4002395857678
0238	1	RETAINING RING	672634004	4002395854219

Position	Quantité	Désignation	Référence	EAN
0248	1	STOP WASHER	692724001	4002395851997
0252	1	RING	522187001	4002395856879
0256	1	SPRING	692737001	4002395854189
0257	1	ADAPTER	304116001	4002395856183
0261	1	WASHER	632420001	4002395854134
0339	1	WASHER	633525001	4002395854141
0340	1	WOBBLE DRIVE	201240003	4002395857050
0341	1	GEAR SHAFT	611286001	4002395856893
0343	1	GEAR	4931453917	4002395279555
0344	1	INTERN.GEARED WHEEL	611288001	4002395854110
0346	1	SPRING	692733001	4002395856909
0347	1	COUPLING SLEEVE	611289001	4002395856312
0348	1	BALL BEARING	681236001	4002395856381
0350	1	REDUCT GEAR WHEEL	4931453861	4002395275571
0351	1	BALL BEARING	681383001	4002395802050
0353	1	BEARING COVER	633515001	4002395856251
0354	1	SWITCH HANDLE	4931453822	4002395140589
0444	1	SPINDLE	201223004	4002395855438
0602	1	SPRING	692738001	4002395854196
0605	1	DEPTH GAUGE	620448002	4002395851218
0606	1	CHUCK ADAPTER	621194001	4002395854127
0700	1	CARRYING CASE	300912480	4002395857159
0705	1	AUXILIARY HANDLE	300188082	4002395856398
0710	1	AUXILIARY HANDLE	120167006	4002395857012
1200	1	MAINTENANCE SET	4931433270	4002395896233
1202	1	FELT STRIP	902505001	4002395857005
1203	1	RUBBER STOP	562007001	4002395854288
1204	1	WASHER	201905002	4002395855803
1206	1	SEAL RING	902076001	4002395854967
1207	1	DATA PLATE	902075001	4002395854974
1208	1	GASKET	562593001	4002395854202
1209	1	O-RING	561994001	4002395854943
1212	1	O-RING	562594001	4002395850648
1214	1	LOCKING SCREW	661286001	4002395851362
1215	1	SCREW	661504001	4002395851379
1217	1	O-RING	4931454454	4058546008826
1218	1	O-RING	562597001	4002395850679
1219	1	WASHER	633518001	4002395851348
1220	1	O-RING	562595001	4002395850655
1221	1	CIRCLIP	672632001	4002395851386
1223	1	SLEEVE	522186002	4002395856862