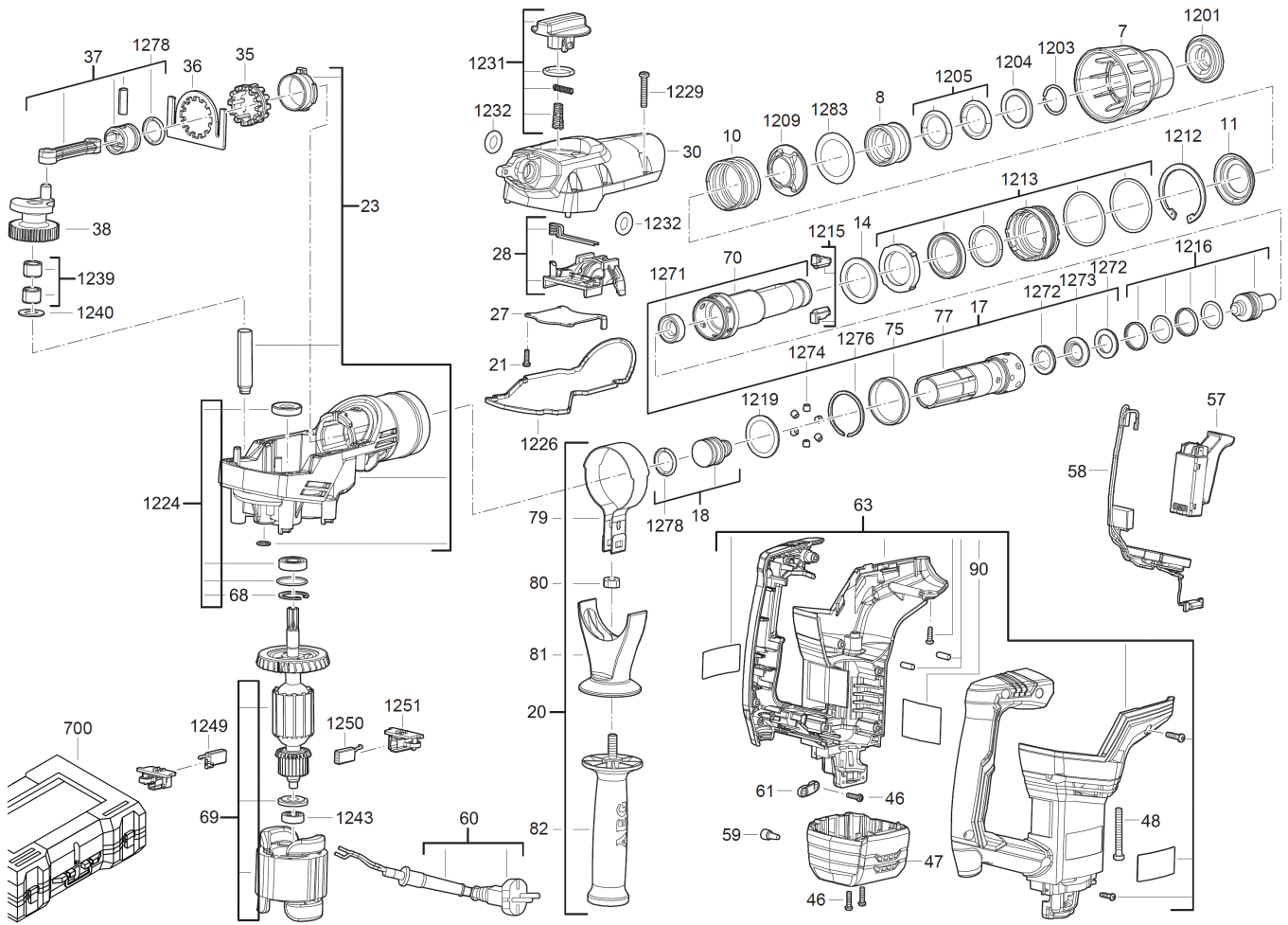


MH5G DEMOLITION HAMMER IN2

4935443170 - MH5G° K/220-240V - 4000443171





| Position | Quantity | Description | Part number | EAN |
|----------|----------|-------------------------|-------------|---------------|
| 0007 | 1 | INTERLOCK SLEEVE | 4931435355 | 4002395889150 |
| 0008 | 1 | INTERLOCK SLEEVE | 4931435356 | 4002395889167 |
| 0010 | 1 | SPRING | 4931435140 | 4002395859245 |
| 0011 | 1 | PLATE | 633152001 | 4002395857708 |
| 0014 | 1 | O-RING | 4931435143 | 4002395859276 |
| 0017 | 1 | SPINDLE SLEEVE | 4931435146 | 4002395859900 |
| 0018 | 1 | SNAP DIE | 4931435147 | 4002395859917 |
| 0020 | 1 | AUXILIARY HANDLE | 4931435357 | 4002395889174 |
| 0021 | 3 | SCREW | 4931435150 | 4002395859948 |
| 0023 | 1 | GEAR BOX KIT | 4931446168 | 4002395887293 |
| 0027 | 1 | BRUSH HOLDER | 4931446170 | 4002395886630 |
| 0028 | 1 | FORK | 4931446171 | 4002395886647 |
| 0030 | 1 | GEAR BOX COVER | 4931446172 | 4002395887286 |
| 0035 | 1 | SLEEVE | 4931435164 | 4002395860784 |
| 0036 | 1 | INTERLOCK PLATE | 4931435165 | 4002395860791 |
| 0037 | 1 | PISTON AND CON ROD ASSY | 4931435166 | 4002395860609 |
| 0038 | 1 | EXCENTER | 4931435167 | 4002395860616 |
| 0046 | 4 | SCREW | 660024018 | 4002395823741 |
| 0047 | 1 | MOTOR COVER | 4931435361 | 4002395889808 |
| 0048 | 4 | SCREW | 4931435362 | 4002395889815 |
| 0057 | 1 | SWITCH BUTTON | 4931446174 | 4002395885862 |
| 0058 | 1 | ELECTRONIC ELEMENT | 4931435364 | 4002395889839 |
| 0059 | 1 | CONNECTOR | 790009001 | 4002395772445 |
| 0060 | 1 | CONNECTION CABLE | 4931435187 | 4002395858606 |
| 0061 | 1 | CORD GRIP | 4931435190 | 4002395858637 |
| 0063 | 1 | HOUSING | 4931446175 | 4002395885831 |
| 0068 | 1 | PROTECTION WASHER | 4931435192 | 4002395858651 |
| 0069 | 1 | ARMATURE | 4931435366 | 4002395889853 |
| 0070 | 1 | DRIVER | 4931435195 | 4002395858682 |
| 0075 | 1 | RING | 4931435200 | 4002395859337 |
| 0077 | 1 | SPINDLE SLEEVE | 4931435202 | 4002395859351 |
| 0079 | 1 | CLAMP | 4931435204 | 4002395859375 |
| 0080 | 1 | NUT | 4931435205 | 4002395859382 |
| 0081 | 1 | RETAINER | 4931435367 | 4002395889860 |
| 0082 | 1 | HANDLE COMPL. | 4931435368 | 4002395889877 |
| 0090 | 1 | RATING PLATE | 4931446176 | 4002395887712 |
| 0700 | 1 | CARRYING CASE | 4931435370 | 4002395889891 |
| 1200 | 1 | MAINTENANCE SET | 4931446716 | 4002395879038 |
| 1201 | 1 | RUBBER CAP | 4931435353 | 4002395889136 |
| 1203 | 1 | HOLDING RING | 4931435134 | 4002395858583 |
| 1204 | 1 | BACKING FLANGE | 4931435135 | 4002395858590 |
| 1205 | 2 | O-RING | 4931435354 | 4002395889143 |
| 1209 | 1 | HOLDING PLATE | 633234001 | 4002395857715 |
| 1212 | 1 | PROTECTION WASHER | 4931435141 | 4002395859252 |
| 1213 | 1 | BEARING END PLATE | 4931435142 | 4002395859269 |
| 1215 | 2 | CAM | 4931435144 | 4002395859283 |
| 1216 | 1 | PERCUSSION BODY | 4931435145 | 4002395859290 |
| 1219 | 1 | DISC | 4931435148 | 4002395859924 |
| 1224 | 1 | SEAL RING | 4931435929 | 4002395888313 |
| 1226 | 1 | SEAL | 4931435155 | 4002395859993 |

| Position | Quantité | Désignation | Référence | EAN |
|-----------------|-----------------|--------------------|------------------|---------------|
| 1229 | 6 | SCREW | 4931435158 | 4002395860722 |
| 1231 | 1 | SWITCH | 4931446173 | 4002395887156 |
| 1232 | 2 | DAMPING RING | 4931435360 | 4002395889198 |
| 1239 | 2 | NEEDLE BEARING | 4931435168 | 4002395860623 |
| 1240 | 1 | WASHER | 4931435169 | 4002395860630 |
| 1243 | 1 | BALL BEARING | 4931435170 | 4002395860647 |
| 1249 | 1 | CARBON BRUSH | 4931435177 | 4002395857913 |
| 1250 | 1 | CARBON BRUSH | 4931435179 | 4002395857937 |
| 1251 | 2 | BRUSH HOLDER | 4931435363 | 4002395889822 |
| 1271 | 1 | STOP WASHER | 4931435196 | 4002395858699 |
| 1272 | 2 | RING | 4931435197 | 4002395859306 |
| 1273 | 1 | RING | 4931435198 | 4002395859313 |
| 1274 | 6 | PIN | 4931435199 | 4002395859320 |
| 1276 | 1 | DISC | 4931435201 | 4002395859344 |
| 1278 | 2 | O-RING | 4931435203 | 4002395859368 |
| 1283 | 1 | WASHER | 4931431199 | 4002395858736 |