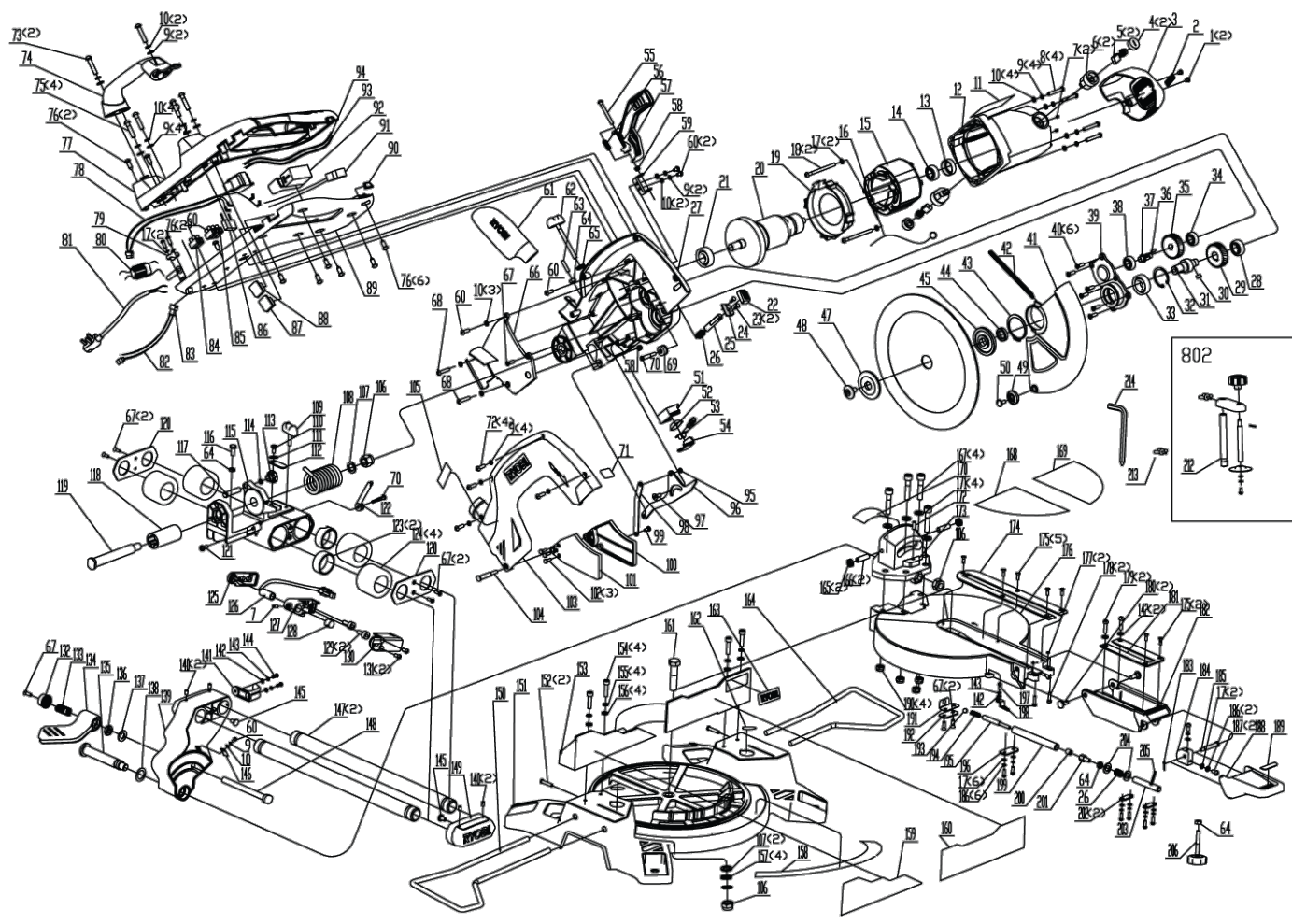


[TRAD] 254mm Compact Slide Mitre Saw

5133001202 - EMS254L - 5133001202#1





Position	Quantity	Description	Part number	EAN
001	2	SCREW	5131030198	
003	1	HOUSING COVER	5131030199	
004	2	BRUSH HOLDER CAP	5131030200	
005	2	CARBON BRUSH	5131030201	
006	2	BRUSH HOLDER	5131030202	
007	3	SCREW	5131030203	
008	4	SCREW	5131030204	
009	17	SPRING WASHER	5131030205	
010	16	WASHER	5131030206	
012	1	MOTOR HOUSING	5131030207	
013	1	BEARING BUSH	5131030208	
014	1	BALL BEARING	5131030209	
015	1	ELECTRIC FIELD	5131030210	
016	1	CONNECTION WIRE	5131030211	
017	12	WASHER	5131030212	
018	2	SCREW	5131030213	
019	1	GUARD COVER	5131030214	
020	1	ARMATURE ASSEMBLY	5131030215	
021	1	BALL BEARING	5131030216	
022	1	KNOB	5131030217	
023	2	SCREW	5131030218	
024	1	PLATE	5131030219	
025	1	LOCK PIN	5131030220	
026	2	SPRING	5131030221	
027	1	CUTTING GUARD	5131030222	
028	1	BALL BEARING	5131030223	
029	1	GEAR	5131030224	
030	1	KEY	5131030225	
031	1	PINION SHAFT	5131030226	
032	1	CIRCLIP	5131030227	
033	1	BALL BEARING	5131030228	
034	1	BALL BEARING	5131030229	
035	1	GEAR	5131030230	
036	1	KEY	5131030231	
037	1	PINION SHAFT	5131030232	
038	1	BALL BEARING	5131030233	
039	1	GEAR BOX COVER	5131030234	
040	6	SCREW	5131030235	
041	1	GUARD	5131030236	
042	1	SPRING	5131030237	
043	1	CIRCLIP	5131030238	
045	1	CLAMPING FLANGE	5131030240	
047	1	CLAMPING FLANGE	5131030241	
048	1	SCREW	5131030242	
049	1	SUPPORT ROLL	5131030243	
050	1	SCREW	5131030244	
051	1	HOLDER	5131030245	
052	1	INDICATOR	5131030246	
053	1	LAMP	5131030247	
054	1	LENS	5131030248	

Position	Quantité	Désignation	Référence	EAN
055	1	SCREW	5131030249	
056	1	SPRING	5131030250	
057	1	LOCKING LEVER	5131030251	
058	2	NUT	5131030252	
059	1	HOLDER	5131030253	
060	5	SCREW	5131030254	
061	1	DUST BAG	5131030255	
062	1	TURNING KNOB	5131030256	
063	1	SCREW	5131030257	
064	4	NUT	5131030258	
065	1	NUT	5131030259	
066	1	COVER	5131030260	
067	8	SCREW	5131030261	
068	2	SCREW	5131030262	
069	1	SUPPORT ROLL	5131030263	
070	2	SCREW	5131030264	
072	4	SCREW	5131030265	
073	2	SCREW	5131030266	
074	1	HANDLE	5131030267	
075	1	SCREW	5131030268	
076	10	SCREW	5131030269	
077	1	HANDLE COVER	5131030270	
078	1	TRANSFORMER	5131030271	
079	1	CABLE CLAMP	5131030272	
080	1	CHOKING COIL	5131030273	
081	1	POWER CORD 2X1 EU	5131030274	
082	1	LASER-INSTRUMENT	5131030275	
083	1	CONNECTION SLEEVE	5131030276	
084	1	TERMINAL PLUG	5131030277	
085	1	TERMINAL PLUG	5131030278	
086	1	CAPACITOR	5131030279	
087	1	SWITCH	5131030280	
088	1	SWITCH	5131030281	
089	1	HANDLE COVER	5131030282	
090	1	COVER	5131030283	
091	1	INDICATOR LIGHT	5131030284	
092	1	SWITCH ASSEMBLY	5131030285	
093	1	WIRE	5131030286	
094	2	WIRE	5131030287	
095	1	RIVET	5131030288	
096	1	LEVER	5131030289	
097	1	SCREW	5131030290	
098	1	LEVER	5131030291	
099	1	SCREW	5131030292	
100	1	COVER	5131030293	
101	1	COVER	5131030294	
102	3	RIVET	5131030295	
103	1	COVER	5131030296	
104	1	SCREW	5131030297	
106	3	NUT	5131030298	

Position	Quantité	Désignation	Référence	EAN
107	3	WASHER	5131030299	
108	1	SPRING	5131030300	
109	1	KNOB	5131030301	
110	1	SCREW	5131030302	
111	1	WASHER	5131030303	
112	1	PLATE	5131030304	
113	1	CAP	5131030305	
114	1	WASHER	5131030306	
115	1	BRACKET	5131030307	
116	2	SCREW	5131030308	
117	1	PIN	5131030309	
118	1	SLEEVE	5131030310	
119	1	AXLE	5131030311	
120	2	COVER	5131030312	
121	1	SCREW	5131030313	
122	1	SLEEVE	5131030314	
123	2	GUIDE SLEEVE	5131030315	
124	4	BALL BEARING	5131030316	
125	1	HOLDER	5131030317	
126	1	LASER	5131030318	
127	1	HOLDER	5131030319	
128	1	PLATE	5131030320	
129	2	SCREW	5131030321	
130	1	HOLDER	5131030322	
131	2	SCREW	5131030323	
132	1	KNOB	5131030324	
133	1	SPRING	5131030325	
134	1	HANDLE	5131030326	
135	1	AXLE	5131030327	
136	1	NUT	5131030328	
137	1	WASHER	5131030329	
138	1	WASHER	5131030330	
139	1	BRACKET	5131030331	
140	4	SCREW	5131030332	
141	1	HOLDER	5131030333	
142	5	WASHER	5131030334	
143	3	SPRING WASHER	5131030335	
144	2	SCREW	5131030336	
145	2	DAMPING ELEMENT	5131030337	
146	1	INDICATOR	5131030338	
147	2	TUBE	5131030339	
148	1	LOCK PIN	5131030340	
149	1	BRACKET	5131030341	
150	1	EXTENSION	5131030389	
151	1	BASE PLATE	5131030342	
152	2	SCREW	5131030343	
153	1	FENCE	5131030344	
154	4	SCREW	5131030345	
155	4	SPRING WASHER	5131030346	
156	4	WASHER	5131030347	

Position	Quantité	Désignation	Référence	EAN
157	4	WASHER	5131030348	
161	1	SCREW	5131030349	
164	1	EXTENSION	5131030390	
165	2	NUT	5131030350	
166	2	SCREW	5131030351	
167	4	SCREW	5131030352	
171	4	WASHER	5131030353	
172	1	SCREW	5131030354	
173	1	BRACKET	5131030355	
174	1	ANTI-CHIPPING DEVI.	5131030356	
175	7	SCREW	5131030357	
176	1	TURN TABLE	5131030358	
177	2	WASHER	5131030359	
178	2	SCREW	5131030360	
179	2	SCREW	5131030361	
180	2	SCREW	5131030362	
181	1	ANTI-CHIPPING DEVI.	5131030363	
182	1	EXTENSION PIECE	5131030364	
183	1	PIN	5131030365	
184	1	LOCKING PIECE	5131030366	
185	1	PIN	5131030367	
186	8	SPRING WASHER	5131030368	
187	8	SCREW	5131030369	
188	1	LOCKING LEVER	5131030370	
189	1	PLATE	5131030371	
190	4	NUT	5131030372	
191	1	LOCKING LEVER	5131030373	
192	1	PLATE	5131030374	
193	1	BALL	5131030375	
194	1	SPRING	5131030376	
195	1	AXLE	5131030377	
196	1	PLATE	5131030378	
197	1	SCREW	5131030379	
198	1	INDICATOR	5131030380	
199	1	TUBE	5131030381	
200	1	SCREW	5131030382	
201	1	SCREW	5131030383	
202	1	PLATE	5131030384	
203	1	LEVER	5131030385	
204	2	WASHER	5131030386	
205	1	PIN	5131030387	
206	1	FOOT	5131030388	
213	1	WINGED SCREW	5131030392	
214	1	HEX WRENCH	5131030393	
802	1	CLAMPING SET	5131030391	
	1	SWISS ADAPTER	5131027809	