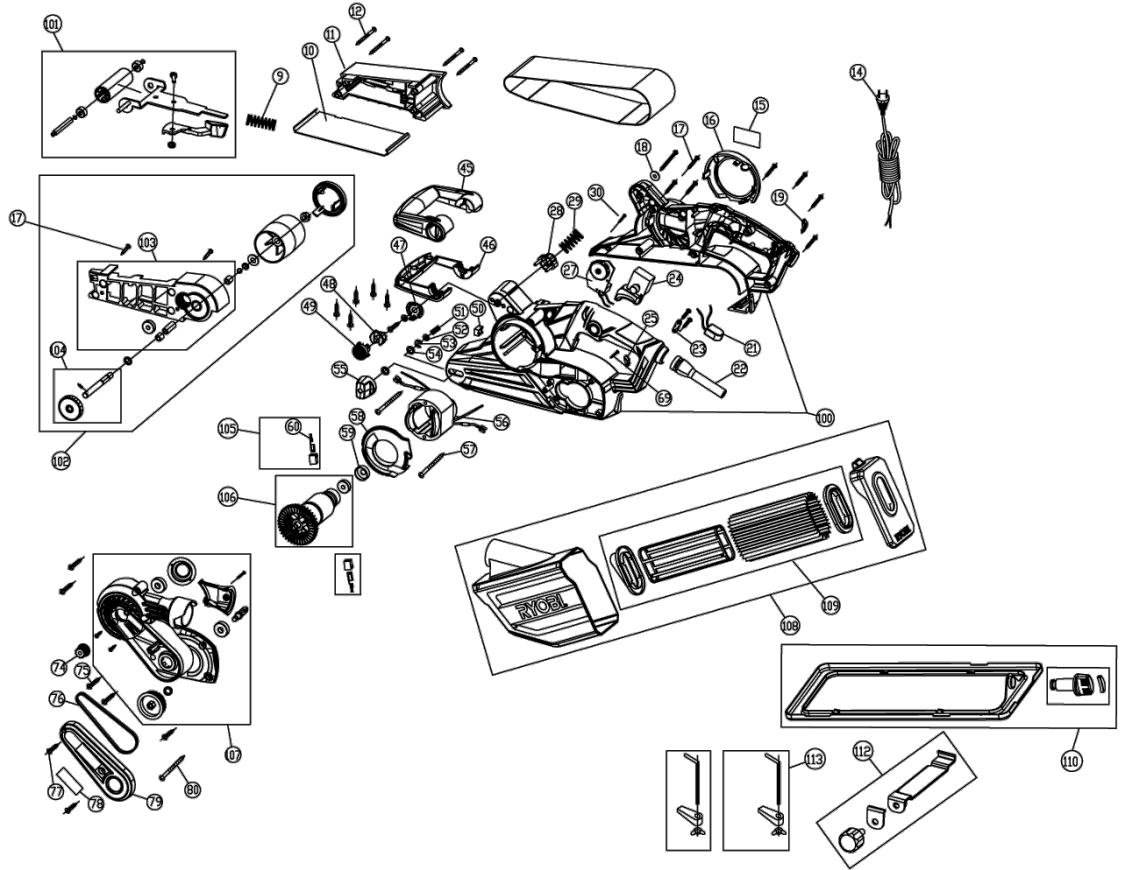


EBS750 750W 76MM BELT SANDER IN2

5133002276 - EBS750 - 4000444265





Position	Quantity	Description	Part number	EAN
	1	SWISS ADAPTER	4931392302	4002395733965
009	1	SPRING	5131030573	4058546124779
010	1	GROUND PLATE	5131030574	4058546124786
011	1	BRACKET	5131030575	4058546124793
012	5	SCREW	5131030576	4058546187439
014	1	CONNECTION CABLE	5131030623	4058546187620
016	1	COVER	5131030578	4058546187453
017	19	SCREW	5131000000	
018	1	WASHER	5131000000	
019	1	LENS PAD	5131000000	
021	1	INDICATOR LIGHT	5131030583	4058546187491
022	1	CABLE ENTRY SLEEVE	5131000000	
023	1	CABLE CLAMP	5131000000	
024	1	SWITCH	5131030586	4058546124816
025	1	LENS PAD	5131000000	
027	1	CAPACITOR	5131030588	4058546187521
028	1	LOCKING PIECE	5131030589	4058546187538
029	1	SPRING	5131030590	4058546187545
030	2	SCREW	5131030591	4058546187552
045	1	HANDLE COVER	5131030595	4058546124847
046	1	HANDLE COVER	5131030596	4058546124854
047	1	SCALE	5131030597	4058546124861
048	1	INTERMEDIATE FLANGE	5131030598	4058546124878
049	1	BUTTON	5131030599	4058546187569
050	1	STOP	5131030600	4058546124885
051	1	SPRING	5131030601	4058546124892
052	2	WASHER	5131030602	4058546187576
053	1	WASHER	5131030603	4058546187583
054	2	WASHER	5131030604	4058546187590
055	1	KNOB	5131030605	4058546124908
056	1	STATOR	5131030606	4058546124915
057	2	SCREW	5131030607	4058546187606
058	1	FLANGE	5131030608	4058546124922
059	1	BEARING SLEEVE	5131030609	4058546124939
060	2	CARBON BRUSH	5131030611	4058546124953
074	1	PULLEY	5131030614	4058546124984
075	4	SCREW	5131030615	4058546124991
076	1	BELT	5131030616	4058546125004
077	3	SCREW	5131030617	4058546125011
079	1	HOUSING COVER	5131030618	4058546125028
080	1	SCREW	5131000000	
100	1	RIGHT AND MIDDLE HOUSING	5131030582	4058546124809
101	1	FEEDER ROLLER	5131030572	4058546124762
102	1	ROLL	5131030592	4002395870004
103	1	BRACKET	5131030593	4058546124823
104	1	DRIVE GEAR	5131030594	4058546124830
105	2	CARBON BRUSH SET	5131030610	4058546124946
106	1	ARMATURE	5131030612	4058546124960
107	1	HOUSING LEFT	5131030613	4058546124977
108	1	DUST BAG	5131030620	4058546125035

Position	Quantité	Désignation	Référence	EAN
109	1	DUST FILTER	5131030621	4058546125042
110	1	Not available for this version	1000000003	