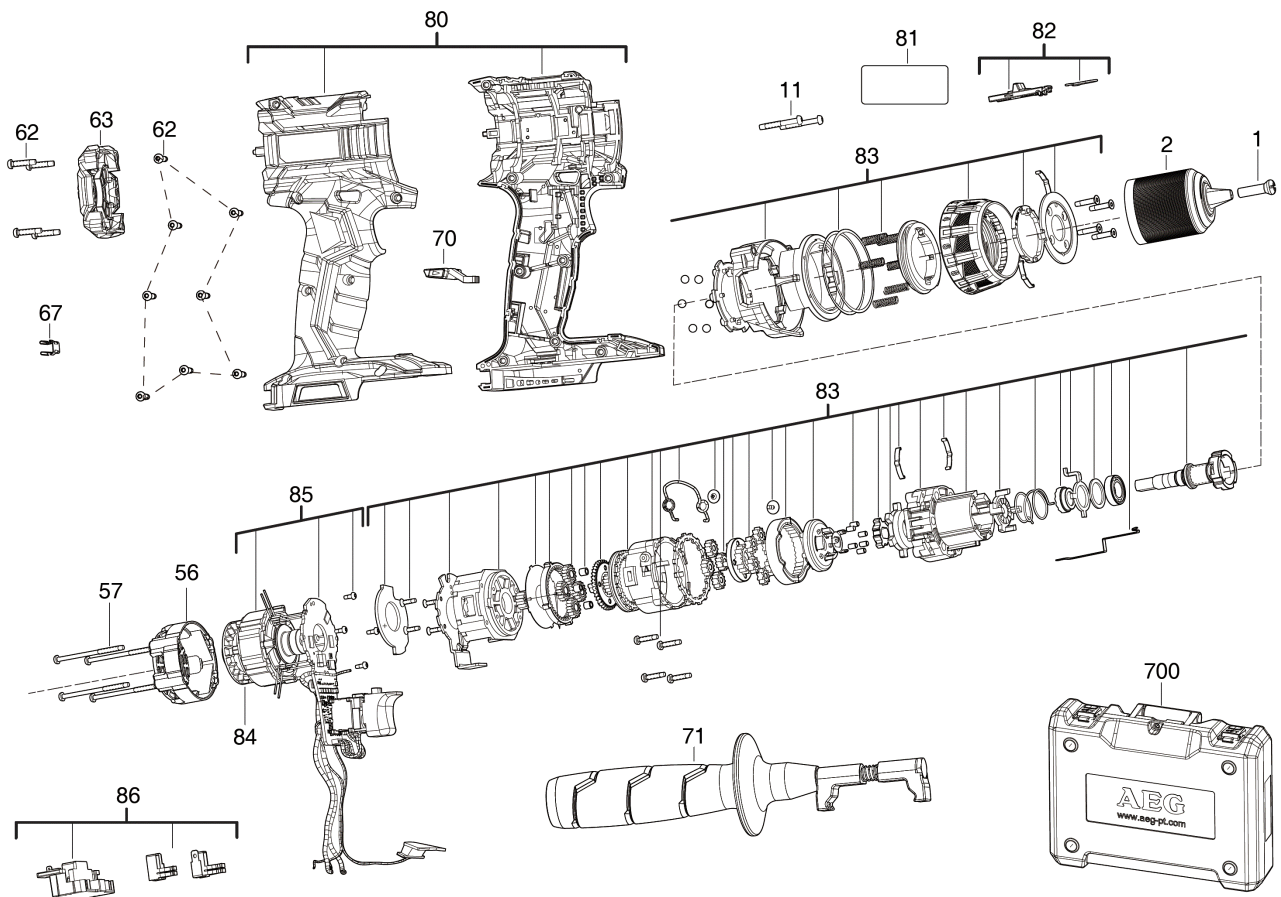


BSB18C2BLLI-402C BTY.PERCUSS.DRILL IN2

4935464097 - BSB18C2BLLI-402C - 4000467498





Position	Quantity	Description	Part number	EAN
0001	1	SCREW	4931453063	4002395155071
0002	1	CHUCK	4931465720	4058546238209
0011	2	SCREW	660031022	4002395856596
0056	1	MOTOR COVER	4931465721	4058546238216
0057	4	SCREW	4931465722	4058546238223
0062	12	SCREW	660031029	4002395855773
0063	1	COVER	4931465724	4058546238247
0067	1	BIT CLIP	4931454113	4002395290468
0070	1	SWITCH	4931465723	4058546238230
0071	1	AUXILIARY HANDLE	4931453065	4002395155095
0080	1	HOUSING	4931465733	4058546238339
0081	1	RATING PLATE	4931465734	4058546238346
0082	1	SWITCH	4931465727	4058546238278
0083	1	GEAR BOX	4931465735	4058546238353
0084	1	ARMATURE	4931465729	4058546238292
0085	1	SWITCH	4931465736	4058546238360
0086	1	CONTACT CASE	4931465731	4058546238315
0700	1	CARRYING CASE	4931465732	4058546238322