

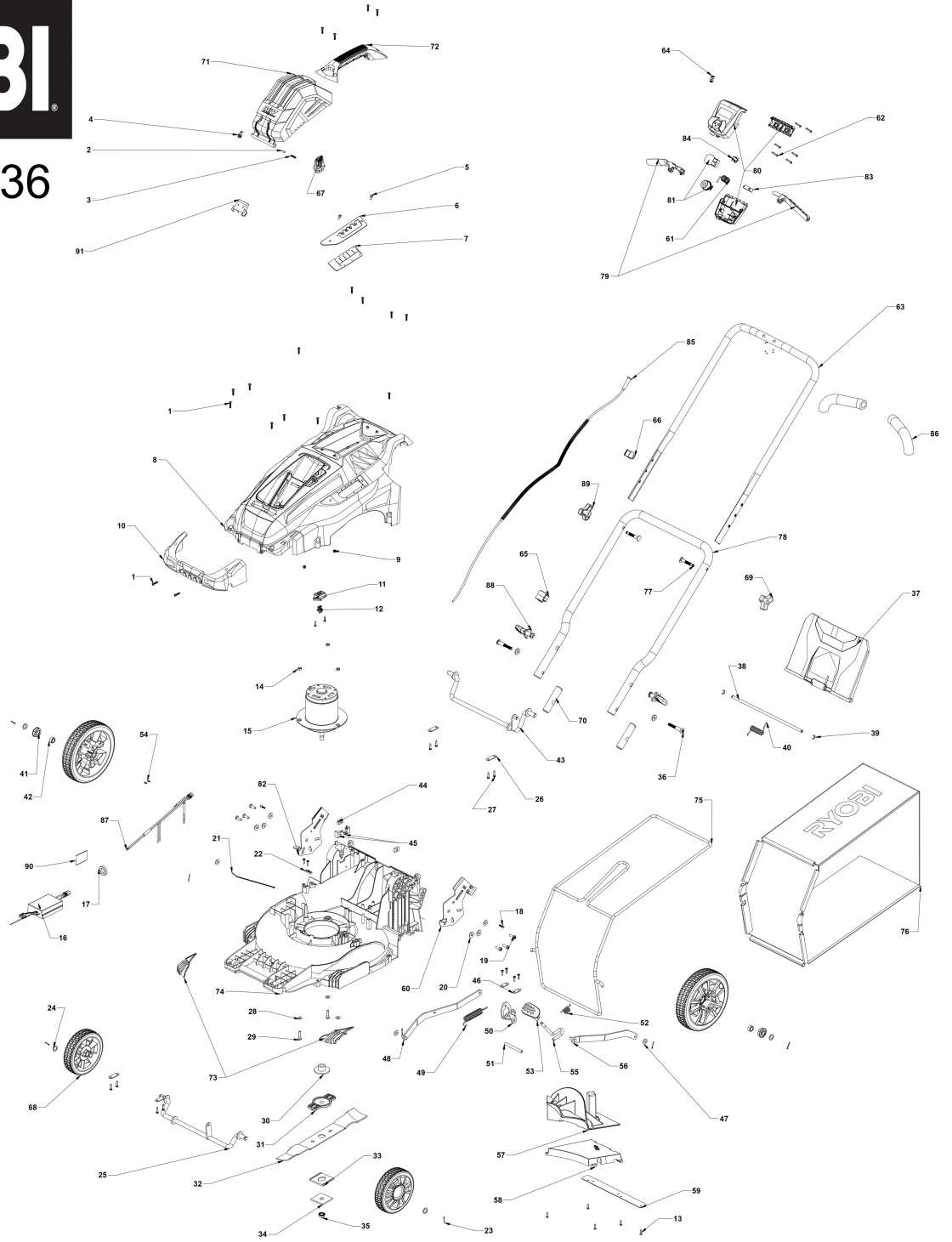
RLM36X41H50G CLESS 40CM LMOWER+BAT IN2

5133005462 - RLM36X41H50G - 4000475936





4000475936



Position	Quantity	Description	Part number	EAN
1001	15	SCREW	5131035616	4058546150235
1002	1	AXLE	5131035622	4058546150297
1003	1	SPRING	5131035621	4058546150280
1004	1	SPRING	5131035620	4058546150273
1005	1	PART NOT DEATAILED	1000063920	
1006	1	RUBBER PLATE	5131043740	4058546351007
1007	1	RUBBER	5131035711	4058546151140
1008	1	HOUSING	5131045792	4058546454241
1009	2	NUT	5131011814	4058546098957
1010	1	HOUSING	5131035652	4058546150570
1011	1	BRACKET	5131035636	4058546150426
1012	2	CONNECTING WIRE	5131035637	4058546150433
1013	13	SCREW	5131044609	4058546383329
1014	3	NUT	5131035639	4058546150457
1015	1	MOTOR	5131035723	4058546151263
1016	1	ELECTRONIC	5131043741	4058546351014
1017	1	FERRITE CORE	5131043742	4058546351021
1018	2	SCREW	5131040190	4058546052522
1019	6	SCREW	5131040191	4058546052539
1020	6	WASHER	5131040192	4058546052546
1021	1	PART NOT DEATAILED	1000063920	
1022	1	CLIP	5131035646	4058546150525
1023	8	PIN	5131035642	4058546150488
1024	4	WASHER	5131035654	4058546150594
1025	1	AXLE	5131035726	4058546151294
1026	4	TERMINAL STRIP	5131042942	4058546261566
1027	8	SCREW	5131035603	4058546150105
1028	3	WASHER	5131035656	4058546150617
1029	3	SCREW	5131035657	4058546150624
1030	1	SPACER	5131042951	4058546261658
1031	1	HOLDER	5131035659	4058546150648
1033	1	SPACER	5131035661	4058546150662
1034	1	RETAINING PLATE	5131035662	4058546150679
1035	1	NUT	5131035663	4058546150686
1036	2	SCREW	5131045784	4058546454166
1037	1	DOOR	5131045776	4058546454081
1038	1	AXLE	5131035677	4058546150815
1039	2	CLIP	5131035679	4058546150839
1040	1	SPRING	5131035678	4058546150822
1041	2	BEARING	5131035643	4058546150495
1042	2	BUSHING	5131035644	4058546150501
1043	1	AXLE	5131035727	4058546151300
1044	2	NUT	5131040222	4058546052843
1045	1	CLAMP	5131045777	4058546454098
1046	2	INTERMEDIATE FLANGE	5131041345	4058546066093
1047	3	WASHER	5131035664	4058546056483
1048	1	CONNECTING ROD	5131035730	4058546151331
1049	1	SPRING	5131044809	
1050	1	BRACKET	5131035672	4058546150761
1051	1	AXLE	5131044808	

Position	Quantité	Désignation	Référence	EAN
1052	1	SPRING	5131044807	
1053	1	HANDLE	5131035671	4058546150754
1054	1	PART NOT DEATAILED	1000063920	
1055	1	LEVER	5131035732	4058546151355
1056	1	LEVER	5131035733	4058546151362
1057	1	PLUG	5131035738	4058546151409
1058	1	COVER	5131035722	4058546151256
1059	1	PLATE	5131035744	4058546151461
1060	1	SIDE PART	5131040224	4058546052867
1061	1	SPRING	5131036410	4058546157784
1062	6	SCREW	5131034780	4058546143510
1063	1	GUIDE BAR	5131045793	4058546454258
1064	1	SPRING	5131036409	4058546157777
1065	1	CLAMP	5131045794	4058546454265
1066	1	CLAMP	5131035609	4058546150167
1067	1	KEY	5131045781	4058546454135
1068	2	WHEEL	5131035734	4058546151379
1069	1	NUT	5131045712	4058546401139
1070	2	HOLDING DEVICE	5131045773	4058546454050
1071	1	COVER	5131045778	4058546454104
1072	1	HANDLE	5131045795	4058546454272
1073	1	SIDE PART	5131045790	4058546454227
1074	1	PLASTIC 40CM DECK FOR UVP	5131044255	
1075	1	FRAME	5131045796	4058546454289
1076	1	GRASS-CATCHING BAG	5131045791	4058546454234
1077	2	SCREW	5131045788	4058546454203
1078	1	GUIDE BAR	5131045775	4058546454074
1079	1	TRIGGER	5131045797	4058546454296
1080	1	HOUSING	5131045798	4058546454302
1081	1	TRIGGER	5131045799	4058546454319
1082	1	SIDE PART	5131040189	4058546052515
1083	1	SWITCH SC799	5131036412	4058546157807
1084	1	SWITCH	5131036411	4058546157791
1085	1	ELECTRIC WIRE	5131036413	4058546157814
1086	1	FOAM RUBBER	5131045706	4058546432980
1087	1	WIRE	5131043743	4058546351038
1088	2	TURNING KNOB	5131045774	4058546454067
1089	1	NUT	5131045800	4058546454326
1090	1	TUBE	5131035745	4058546151478
1091	1	ACCEPTANCE	5131045783	4058546454159
1032	1	RAC404 LAWNMOWER BLADE FIT EMEA	5132002438	4892210813497