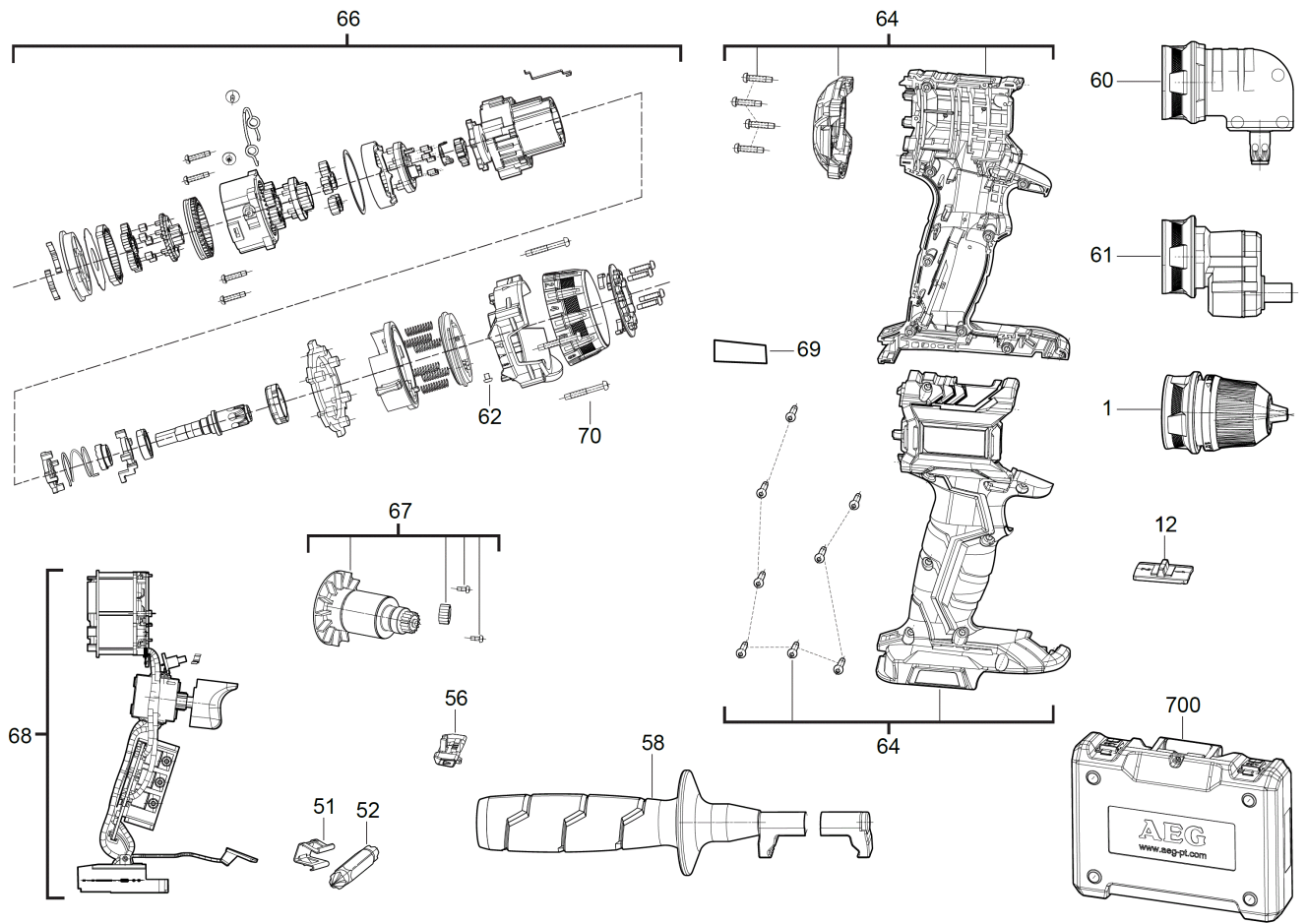


BSB18CBL-0 PERCUSSION DRILL XXX

4935451082 - BSB18CBL-0 - 4000448777





Position	Quantity	Description	Part number	EAN
0001	1	Chuck BSB18CBL - CK - 1pc	4932430925	4002395385874
0012	1	ADJUSTING BUTTON	4931453062	4002395155064
0051	1	SCREWDRIVER BIT	670820066	4002395819195
0052	1	BIT HOLDER	630206001	4002395819164
0056	1	ADJUSTING BUTTON	4931453064	4002395155088
0058	1	AUXILIARY HANDLE	4931453065	4002395155095
0060	1	ANGLE ATTACHMENT BSB18CBL - RAA - 1pc	4932430924	4002395385867
0061	1	ANGLE ATTACHMENT BSB18CBL - OA - 1pc	4932430923	4002395385850
0062	1	SCREW	4931453068	4002395155729
0064	1	HOUSING	4931453073	4002395155774
0066	1	GEAR BOX	4931453074	4002395155781
0067	1	MOTOR	4931453066	4002395155705
0068	1	SWITCH ASSEMBLY	4931453069	4002395155736
0069	1	RATING PLATE	4931453075	4002395155798
0070	4	SCREW	660031022	4002395856596
0700	1	CARRYING CASE	4931453076	4002395156405