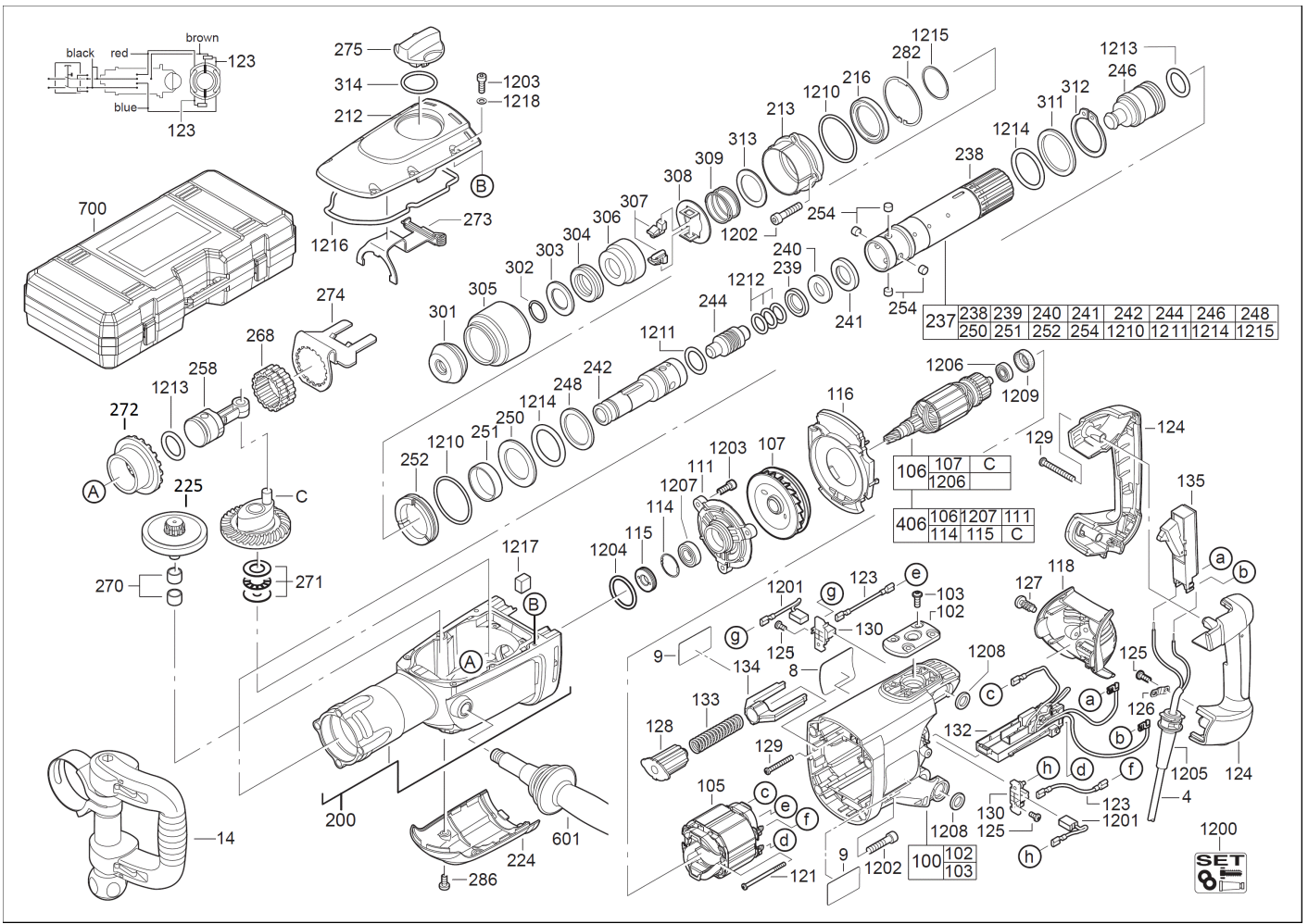


# PM10E SDS-M DEMOLITION HAMMER IN2

4935412418 - PM10E - 4000417180





| Position | Quantity | Description                              | Part number | EAN           |
|----------|----------|--|-------------|---------------|
| 0004     | 1        | CONNECTION CABLE                         | 4931624696  | 4002395800872 |
| 0008     | 1        | RATING PLATE                             | 4931417182  | 4002395833580 |
| 0009     | 1        | NAME PLATE                               | 4931412435  | 4002395791323 |
| 0014     | 1        | HANDLE                                   | 4931398534  | 4002395776658 |
| 0100     | 1        | HOUSING MOTOR SIDE                       | 4931412429  | 4002395793358 |
| 0102     | 1        | SECURED WASHER                           | 4931375531  | 4002395711574 |
| 0103     | 4        | SCREW                                    | 4931624213  | 4002395736096 |
| 0105     | 1        | ELECTRIC FIELD                           | 4931442746  | 4002395885244 |
| 0106     | 1        | REPAIR KIT                               | 4931432415  | 4002395899418 |
| 0107     | 1        | FAN                                      | 4931375474  | 4002395711536 |
| 0111     | 1        | BEARING END PLATE                        | 4931426434  | 4002395842483 |
| 0114     | 1        | LOCKING RING                             | 4931890311  | 4002395706297 |
| 0115     | 1        | SEAL RING                                | 4931375489  | 4002395711543 |
| 0116     | 1        | AIR DEFLECTOR RING                       | 4931375515  | 4002395731756 |
| 0118     | 1        | SERVICING LID                            | 4931412430  | 4002395793365 |
| 0121     | 2        | SCREW                                    | 4931339996  | 4002395623976 |
| 0123     | 2        | WIRE                                     | 4931624263  | 4002395724819 |
| 0124     | 1        | PAIR HANDLE SHELLS                       | 4931412431  | 4002395793372 |
| 0125     | 4        | SCREW                                    | 4931624538  | 4002395760039 |
| 0126     | 1        | CABLE COLLAR                             | 4931256500  | 4002395586547 |
| 0127     | 2        | SCREW                                    | 4931624537  | 4002395760022 |
| 0128     | 1        | THRUST PIECE                             | 4931375477  | 4002395731701 |
| 0129     | 5        | SCREW N874101-1 SHR C-K5X45/20 KOMBITORX | 4931622765  | 4002395699094 |
| 0130     | 2        | BRUSH HOLDER                             | 4931381694  | 4002395780303 |
| 0132     | 1        | ELECTRONIC                               | 4931409105  | 4002395791590 |
| 0133     | 1        | PRESSURE SPRING                          | 4931375529  | 4002395711550 |
| 0134     | 1        | TRANSITION PIECE                         | 4931375530  | 4002395711567 |
| 0135     | 1        | SWITCH                                   | 4931375454  | 4002395731688 |
| 0200     | 1        | GEAR BOX                                 | 4931412436  | 4002395798995 |
| 0212     | 1        | GEAR BOX COVER                           | 4931426458  | 4002395850273 |
| 0213     | 1        | SEAL RETAINER                            | 4931375569  | 4002395731824 |
| 0216     | 1        | SEAL RING                                | 4931624205  | 4002395714285 |
| 0224     | 1        | GEAR COVER                               | 5131000000  |               |
| 0225     | 1        | Not available for this version           | 1000000003  |               |
| 0237     | 1        | SPINDLE                                  | 4931375378  | 4002395731510 |
| 0238     | 1        | SPINDLE SLEEVE                           | 4931426172  | 4002395903276 |
| 0239     | 1        | BACK-PRESSURE RING                       | 4931375411  | 4002395731565 |
| 0240     | 1        | BACK-PRESSURE RING                       | 4931375412  | 4002395731572 |
| 0241     | 1        | ATTACHMENT RING                          | 4931409791  | 4002395841486 |
| 0242     | 1        | DRIVER                                   | 4931426173  | 4002395876563 |
| 0244     | 1        | SNAP DIE                                 | 4931375573  | 4002395720354 |
| 0246     | 1        | PERCUSSION BODY                          | 4931455429  | 4002395176472 |
| 0248     | 1        | ATTACHMENT RING                          | 4931375416  | 4002395731596 |
| 0250     | 1        | WASHER                                   | 4931375418  | 4002395736003 |
| 0251     | 1        | BALL RACE                                | 4931375419  | 4002395731602 |
| 0252     | 1        | THRUST COLLAR                            | 4931375420  | 4002395731619 |
| 0254     | 4        | DRIVER                                   | 4931375787  | 4002395741977 |
| 0258     | 1        | PISTON COMPL.                            | 4931375380  | 4002395731534 |
| 0268     | 1        | SET COLLAR                               | 4931396199  | 4002395748884 |
| 0270     | 1        | Not available for this version           | 1000000003  |               |

| Position | Quantité | Désignation                    | Référence  | EAN           |
|----------|----------|--------------------------------|------------|---------------|
| 0271     | 1        | THRUST BEARING                 | 4931409549 | 4002395815418 |
| 0272     | 1        | Not available for this version | 1000000003 |               |
| 0273     | 1        | ADJUSTING PLATE                | 4931375583 | 4002395726493 |
| 0274     | 1        | LOCKING PLATE                  | 4931375401 | 4002395717064 |
| 0275     | 1        | LEVER                          | 4931375546 | 4002395731794 |
| 0282     | 1        | RETAINING RING                 | 4931624235 | 4002395717460 |
| 0286     | 2        | SCREW                          | 4931624658 | 4002395790975 |
| 0301     | 1        | END COVER CAP                  | 9170350243 | 4002395577330 |
| 0302     | 1        | SPRING RING                    | 9170319040 | 4002395571895 |
| 0303     | 1        | DAMPING ELEMENT                | 4931409820 | 4002395834778 |
| 0304     | 1        | DAMPING RING                   | 4931375775 | 4002395739943 |
| 0305     | 1        | Chuck Cover                    | 9170316570 | 4002395570959 |
| 0306     | 1        | INTERLOCK SLEAVE               | 4931409842 | 4002395844739 |
| 0307     | 2        | INTERLOCK ELEMENT              | 4931375769 | 4002395739196 |
| 0308     | 1        | INTERLOCK PLATE                | 4931375770 | 4002395739202 |
| 0309     | 1        | PRESSURE SPRING                | 4931375594 | 4002395736423 |
| 0311     | 1        | ATTACHMENT RING                | 4931375509 | 4002395731749 |
| 0312     | 1        | RETAINING RING                 | 4931624203 | 4002395714278 |
| 0313     | 1        | DISC                           | 4931375595 | 4002395739950 |
| 0314     | 1        | O-RING N874701 26X3            | 4931622166 | 4002395696963 |
| 0406     | 1        | REPAIR KIT                     | 4931432416 | 4002395895465 |
| 0601     | 1        | Not available for this version | 1000000003 |               |
| 0700     | 1        | CARRYING CASE                  | 4931412420 | 4002395793341 |
| 1200     | 1        | MAINTENANCE SET                | 4931375659 | 4002395733927 |
| 1201     | 1        | CARBON BRUSH SET               | 4931375556 | 4002395720323 |
| 1202     | 8        | SCREW                          | 4931624234 | 4002395717453 |
| 1203     | 9        | SCREW D 912 M5X16 8.8SSI       | 4931624276 | 4002395727858 |
| 1204     | 1        | SEAL RING                      | 4931624237 | 4002395717484 |
| 1205     | 1        | PROTECTING COVER               | 4931392174 | 4002395772872 |
| 1206     | 1        | BALL BEARING                   | 4931341741 | 4002395627004 |
| 1207     | 1        | GROOVED BALL BEAR.             | 4931398189 | 4002395767304 |
| 1208     | 4        | SEAL RING                      | 4931624170 | 4002395710904 |
| 1209     | 1        | RUBBER SLEEVE                  | 4931317212 | 4002395599806 |
| 1210     | 2        | SEAL RING N874701 28X5         | 4931624156 | 4002395731879 |
| 1211     | 1        | SEAL RING N874701 28X5         | 4931624161 | 4002395731909 |
| 1212     | 3        | SEAL RING N874701 28X5         | 4931624155 | 4002395731862 |
| 1213     | 2        | SEAL RING N874701 28X5         | 4931624158 | 4002395731893 |
| 1214     | 2        | SEAL RING N874701 28X5         | 4931624157 | 4002395731886 |
| 1215     | 1        | SPRING RING N874268 SW 20      | 4931624153 | 4002395731855 |
| 1216     | 1        | GASKET                         | 4931375506 | 4002395731725 |
| 1217     | 1        | FELT                           | 4931375508 | 4002395731732 |
| 1218     | 6        | SEALING WASHER                 | 4931603515 | 4002395693481 |