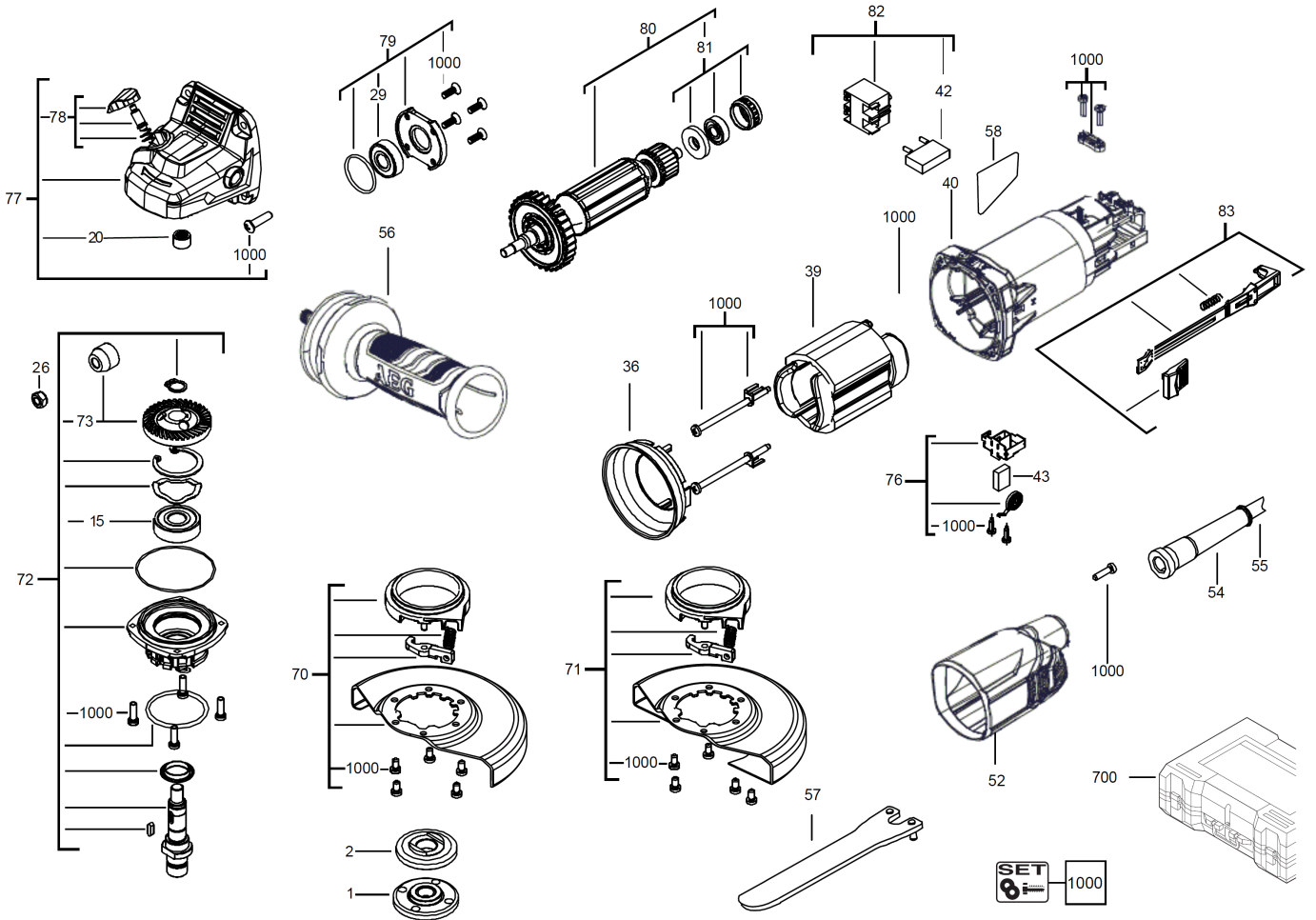


# WS10-125S ANGLE GRINDER IN2

4935451302 - WS10-125S - 4000456116





Position	Quantity	Description	Part number	EAN
0001	1	FLANGE	4931428704	4002395844210
0002	1	FLANGE	4931453620	4002395145942
0015	1	BALL BEARING	4931453697	4002395146130
0020	1	NEEDLE BEARING	4931453616	4002395145904
0026	1	NUT	4931428715	4002395844364
0029	1	BALL BEARING	4931453633	4002395146673
0036	1	AIR DEFLECTOR RING	4931428721	4002395844425
0039	1	ELECTRIC FIELD	4931428724	4002395844456
0040	1	MOTOR HOUSING	4931453698	4002395146147
0042	1	CAPACITOR	4931428728	4002395844494
0043	2	CARBON BRUSH	4931428732	4002395844531
0052	1	PROTECTIVE CAP	4931453699	4002395146154
0054	1	PROTECTING COVER	4931428735	4002395844562
0055	1	CONNECTION CABLE	4931428736	4002395844579
0056	1	HANDLE	4931428739	4002395844609
0057	1	SPANNER	4931393248	4002395751051
0058	1	RATING PLATE	4931453711	4002395146871
0070	1	GUARD ASSY 125MM	4931428708	4002395844272
0071	1	GUARD CAP	4931428711	4002395844326
0072	1	SPINDLE KIT	4931428712	4002395844333
0073	1	PINION	4931441558	4002395865710
0076	2	BRUSH HOLDER	4931428733	4002395844548
0077	1	GEAR CASE	4931428713	4002395844340
0078	1	COVER CAP	4931428714	4002395844357
0079	1	BEARING KIT	4931428716	4002395844371
0080	1	ARMATURE ASSEMBLY	4931453706	4002395146826
0081	1	BEARING KIT	4931428720	4002395844418
0082	1	ELECTRONIC SWITCH	4931453713	4002395146895
0083	1	SWITCH LEVER	4931453708	4002395146840
0700	1	CARRYING CASE	4931453709	4002395146857
1000	1	BOLT SET	4931428741	4002395844623