

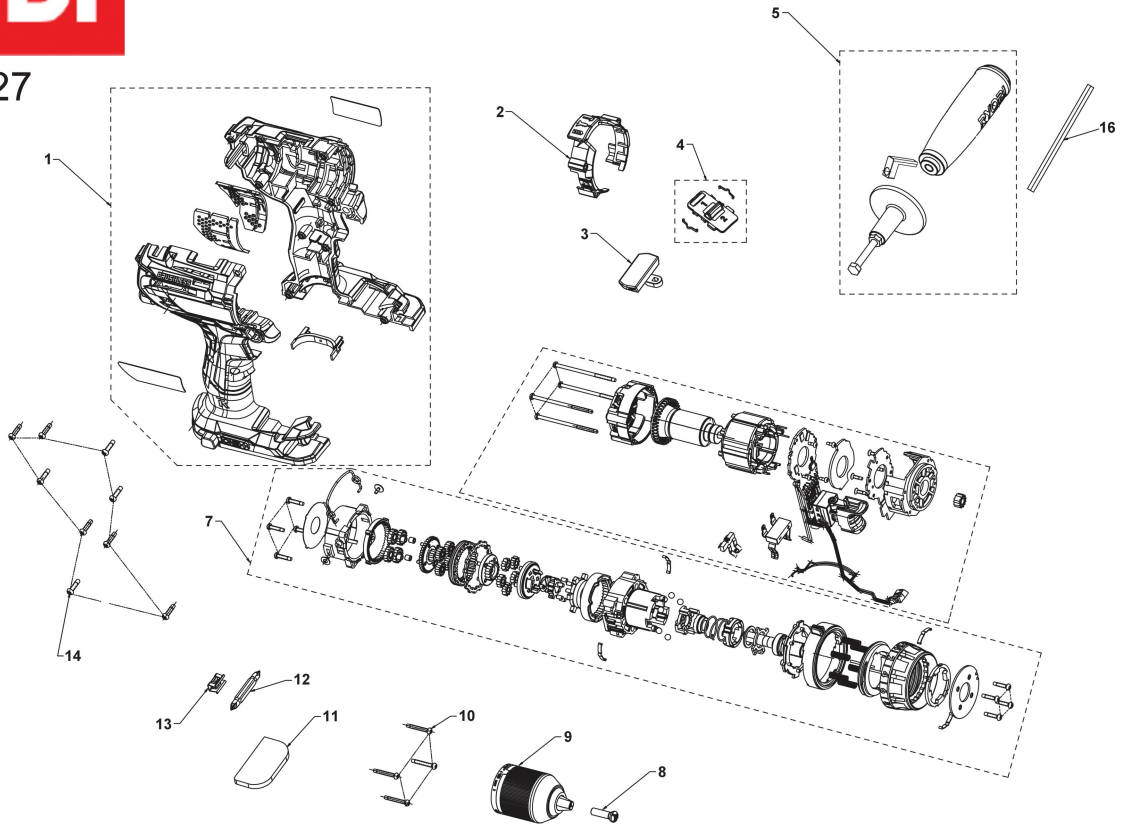
R18PD7-252S 18V PERCUSSION DRILL IN2

5133004391 - R18PD7-252S - 4000462627





4000462627



Position	Quantity	Description	Part number	EAN
1001	1	HOUSING	5131041846	4058546250607
1002	1	ADJUSTING RING	5131041847	4058546250614
1003	1	BUTTON	5131041848	4058546250621
1004	1	PUSH BUTTON	5131041849	4058546250638
1005	1	AUXILIARY HANDLE	5131041850	4058546250645
1007	1	OFFSET GEAR	5131042199	4058546254131
1008	1	SCREW	5131033455	4002395172115
1009	1	CHUCK	5131041853	4058546250676
1010	4	SCREW	5131041854	4058546250683
1011	1	MAGNET 56X30X5MM	5131031877	4058546130152
1012	1	SCREWDRIVER BIT	5131032511	4058546135959
1013	1	BIT CLIP	5131031687	4058546193171
1014	9	SCREW	5131041855	4058546250690
1016	1	DEPTH GAUGE	5131017604	4058546105839