

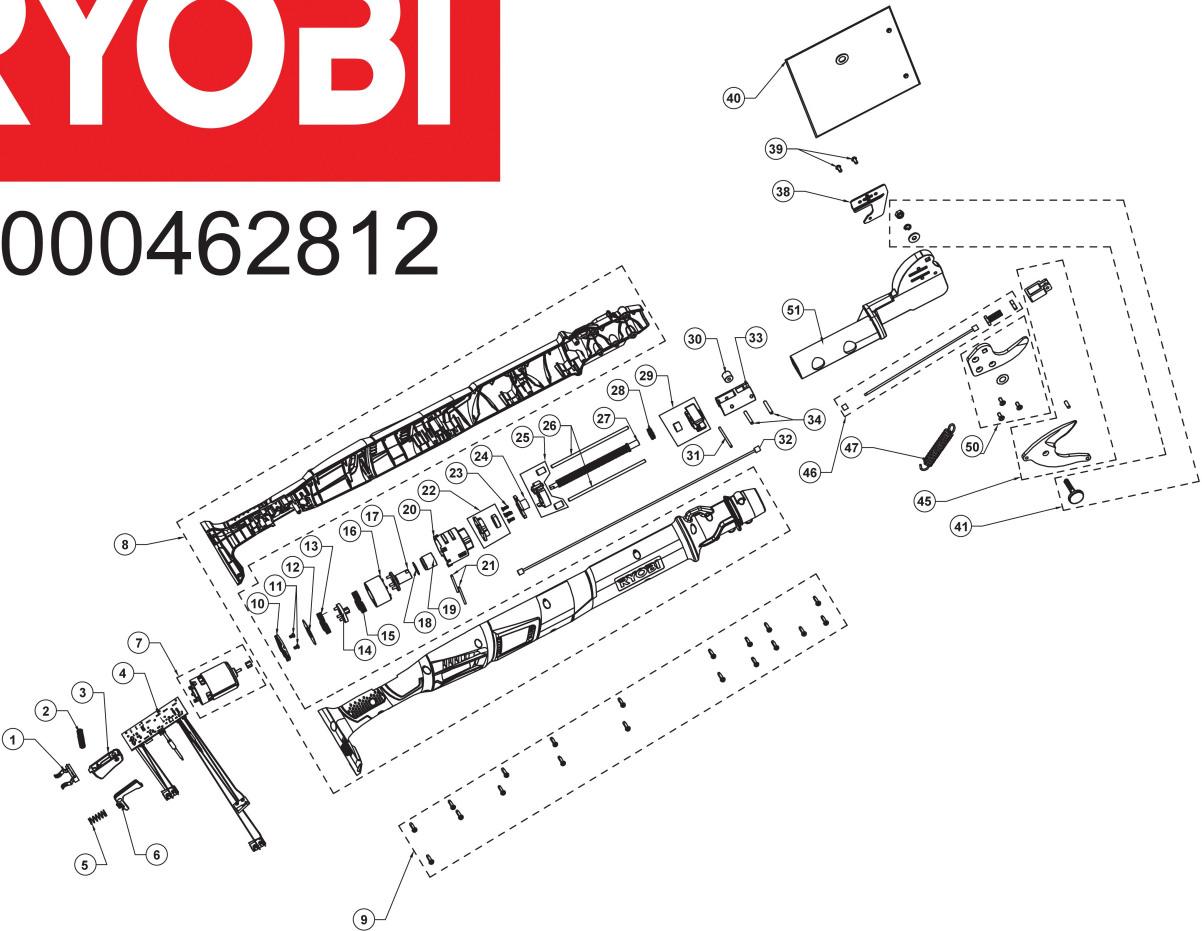
# OLP1832BX ONE+ HANDHELD LOPPER XXX

5133004392 - OLP1832BX - 4000462812





4000462812



Position	Quantity	Description	Part number	EAN
1001	1	CONTACT	5131041300	4058546065645
1002	1	SPRING	5131041754	4058546249687
1003	1	TRIGGER	5131041755	4058546249694
1004	1	ELECTRONIC	5131041756	4058546249700
1005	1	SPRING	5131035454	4058546148768
1006	1	BUTTON	5131041757	4058546249717
1007	1	MOTOR	5131041758	4058546249724
1008	1	HOUSING	5131041759	4058546249731
1009	19	SCREW	5131035877	4058546152673
1010	1	RETAINING PLATE	5131041760	4058546249748
1011	2	SCREW	5131032504	4058546135881
1012	1	WASHER	5131040866	4058546061302
1013	3	PLANET GEAR	5131041761	4058546249755
1014	1	GEAR	5131041762	4058546249762
1015	3	PLANET GEAR	5131041763	4058546249779
1016	1	GEAR	5131041764	4058546249786
1017	1	CONNECTING SHAFT	5131041765	4058546249793
1018	1	WASHER	5131040861	4058546061258
1019	1	BUSHING	5131041766	4058546249809
1020	1	GEAR BOX HOUSING	5131041767	4058546249816
1021	2	PIN	5131041768	4058546249823
1022	1	HOLDING BRACKET	5131041769	4058546249830
1023	4	SCREW	5131035668	4058546150723
1024	1	NUT	5131041770	4058546249847
1025	1	SLIDER	5131041771	4058546249854
1026	2	GUIDE RAIL	5131041772	4058546249861
1027	1	THREADED BOLT	5131041773	4058546249878
1028	1	BEARING	5131041774	4058546249885
1029	1	HOLDING BRACKET	5131041775	4058546249892
1030	1	SLEEVE	5131041776	4058546249908
1031	1	PIN	5131041777	4058546249915
1032	1	STEEL WIRE	5131041778	4058546249922
1033	1	CLAMP	5131041779	4058546249939
1034	2	PIN	5131041780	4058546249946
1038	1	HOOK	5131041784	4058546249984
1039	2	SCREW	5131020144	4058546269906
1040	1	KNIFE PROTECTION	5131041785	4058546249991
1041	1	SCREW ASSY	5131041786	4058546250003
1046	1	STEEL WIRE	5131042041	4058546252557
1047	1	SPRING	5131042165	4058546253790
1050	1	KNIFE	5131042166	4058546253806
1051	1	HOLDING DEVICE	5131042167	4058546253813
1045	1	RAC313 Ryobi Cordless Lopper Blade XXX	5132003308	4960673138263