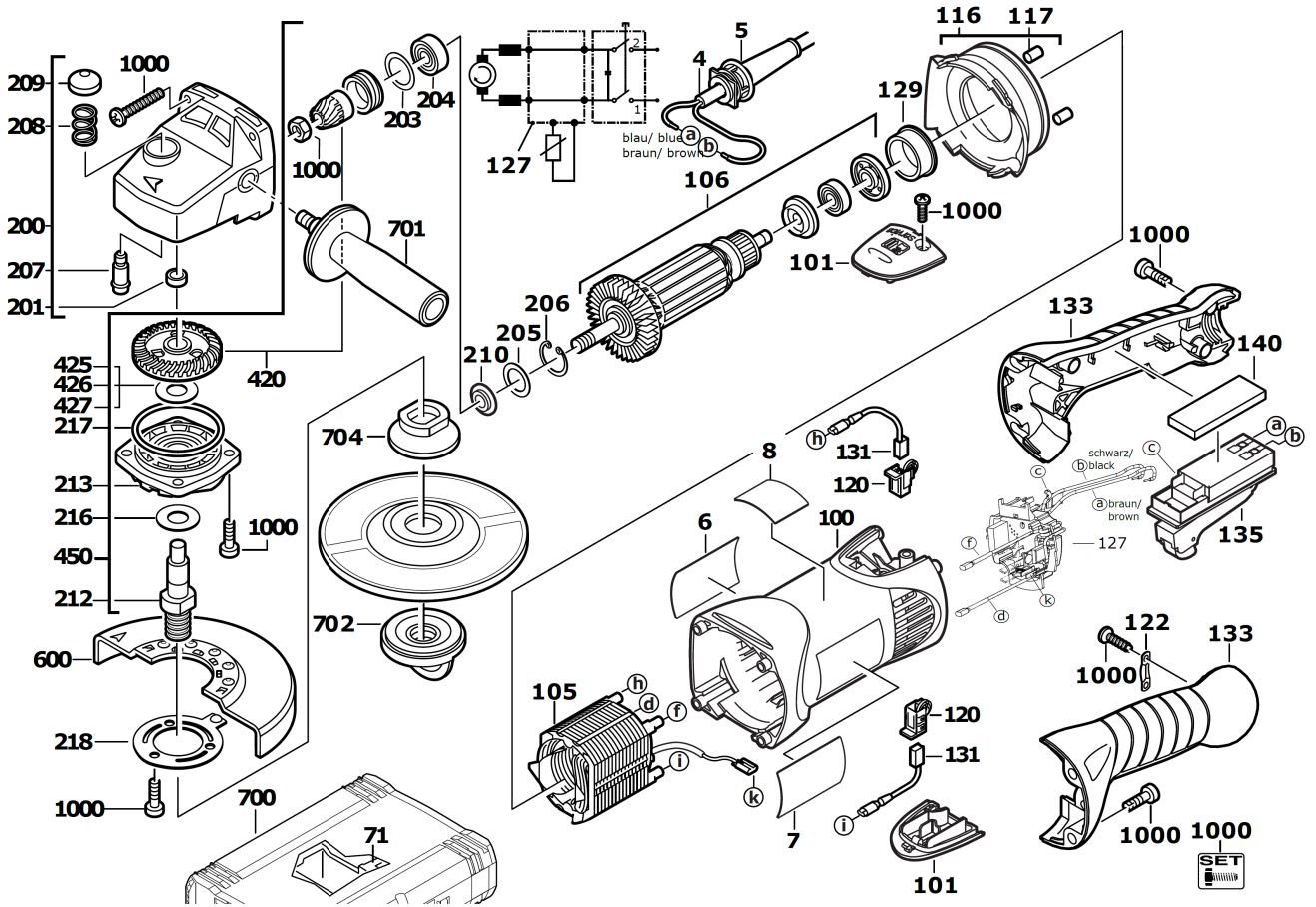


WS15-125SX ANGLE GRINDER IN2

4935455100 - WS15-125SX - 4000463874





| Position | Quantity | Description | Part number | EAN |
|----------|----------|-----------------------------------|-------------|---------------|
| 0004 | 1 | CONNECTION CABLE | 4931623311 | 4002395701292 |
| 0005 | 1 | PROTECTING COVER | 4931409552 | 4002395801107 |
| 0006 | 1 | RATING PLATE | 4931463877 | 4058546036751 |
| 0007 | 1 | NAME PLATE | 4931412186 | 4002395906512 |
| 0008 | 1 | STICKER | 4931442232 | 4002395873579 |
| 0071 | 1 | INSERT | 4931378535 | 4002395684120 |
| 0100 | 1 | MOTOR HOUSING | 4931412191 | 4002395793112 |
| 0101 | 2 | COVER | 4931378134 | 4002395683116 |
| 0105 | 1 | ELECTRIC FIELD | 4931463365 | 4002395175383 |
| 0106 | 1 | ARMATURE | 4931442662 | 4002395883196 |
| 0116 | 1 | AIR DEFLECTOR RING | 4931378135 | 4002395683123 |
| 0117 | 2 | HOLDING-DOWN DEVICE | 4931409768 | 4002395847617 |
| 0120 | 2 | BRUSH HOLDER | 4931382268 | 4002395690961 |
| 0122 | 1 | CABLE COLLAR | 4931256500 | 4002395586547 |
| 0127 | 1 | ELECTRIC ELEMENT | 4931463363 | 4002395175376 |
| 0129 | 1 | BEARING SLEEVE | 4931326953 | 4002395607846 |
| 0131 | 1 | CARBON BRUSH SET | 4931381391 | 4002395726936 |
| 0133 | 1 | SWITCH HANDLE | 4931412196 | 4002395793136 |
| 0135 | 1 | SWITCH | 4931378983 | 4002395714629 |
| 0140 | 1 | SEAL | 4931407251 | 4002395790760 |
| 0200 | 1 | GEAR BOX | 4931412193 | 4002395798919 |
| 0201 | 1 | SLEEVE N874989 HKO 0810 | 4931912093 | 4002395706464 |
| 0203 | 1 | WASHER | 4931362085 | 4002395660254 |
| 0204 | 1 | GROOVED BALL BEAR. | 4931368037 | 4002395670642 |
| 0205 | 1 | DISC | 4931622761 | 4002395699056 |
| 0206 | 1 | LOCKING RING | 4931616614 | 4002395694624 |
| 0207 | 1 | LOCKING BOLT | 4931326929 | 4002395607785 |
| 0208 | 1 | PRESSURE SPRING | 4931326942 | 4002395607822 |
| 0209 | 1 | PUSH-BUTTON | 4931326930 | 4002395607792 |
| 0210 | 1 | WASHER | 4931624287 | 4002395732098 |
| 0212 | 1 | SPINDLE | 4931409808 | 4002395837168 |
| 0213 | 1 | BEARING END PLATE | 4931378310 | 4002395683789 |
| 0216 | 1 | DISC | 4931623480 | 4002395702398 |
| 0217 | 1 | SEAL RING | 4931623590 | 4002395702992 |
| 0218 | 1 | SPRING WASHER | 4931345965 | 4002395633623 |
| 0420 | 1 | BEVEL GEAR PAIR | 4931369937 | 4002395674510 |
| 0425 | 1 | DISC N874237 12,2X22X0,1 | 4931808473 | 4002395727544 |
| 0426 | 1 | DISC N874237 12,2X22X0,2 | 4931925940 | 4002395706624 |
| 0427 | 1 | DISC | 4931624256 | 4002395723379 |
| 0450 | 1 | DRIVE GEAR | 4931391476 | 4002395735884 |
| 0600 | 1 | Guard ZAP-silver, diam. 125 | 4931403578 | 4002395798544 |
| 0700 | 1 | CARRYING CASE ITH FOAM INSERT AEG | 5131000000 | |
| 0701 | 1 | HANDLE | 4932409546 | 4002395370870 |
| 0702 | 1 | FIXTEC NUT M14 P1A | 4932358225 | 4002395325528 |
| 0704 | 1 | CLAMPING FLANGE WS115-230 P1 A/M | 4932449324 | 4002395245185 |
| 1000 | 1 | BOLT SET | 4931378570 | 4002395684205 |