

BCLS-520ES

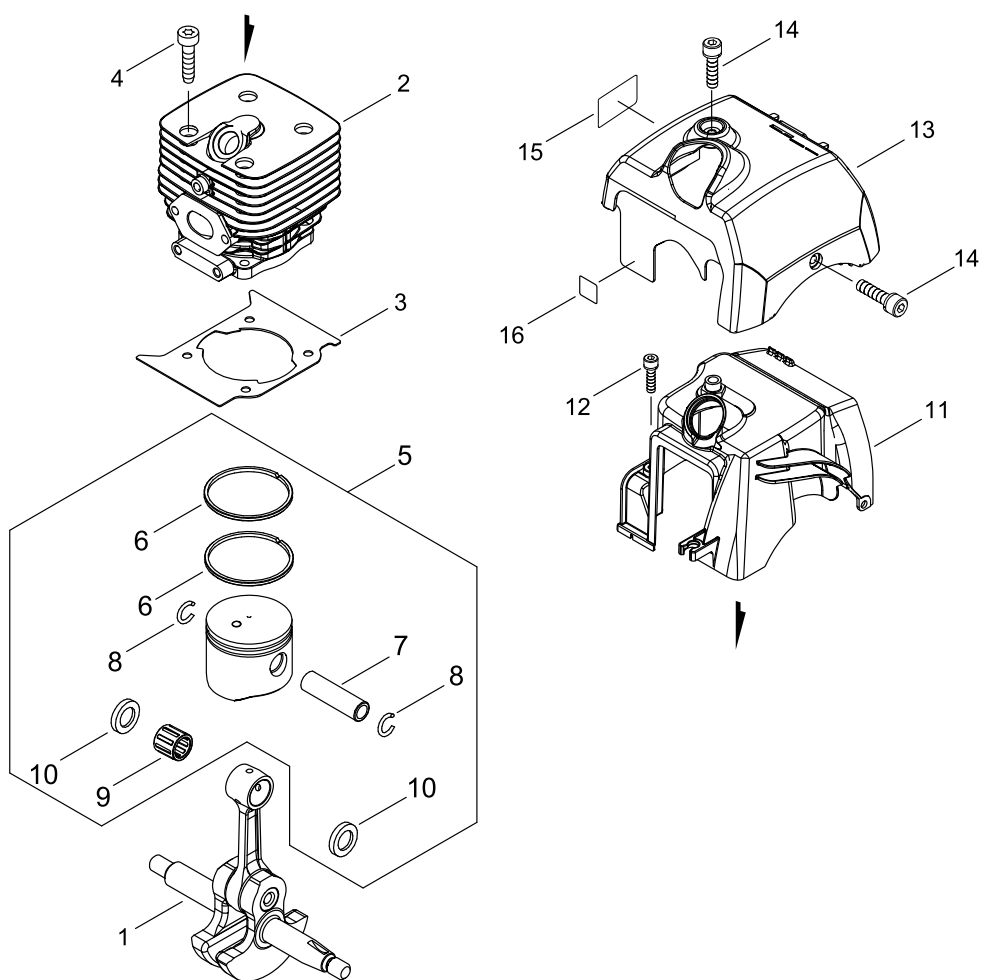
Serial number: 38000001-38999999

Last update date: 01/28/2020

TABLE OF CONTENTS

CYLINDER, PISTON, CRANKSHAFT.....	1
CRANKCASE	3
MAGNETO.....	5
CLUTCH.....	7
AIR CLEANER, CARBURETOR.....	9
CARBURETOR.....	11
FUEL TANK.....	13
MUFFLER	15
RECOIL STARTER, PULLY	17
GEAR CASE, SHIELD.....	19
MAIN PIPE, HANDLE.....	21
THROTTLE	23
ACCESSORIES	25
HARNESS.....	27

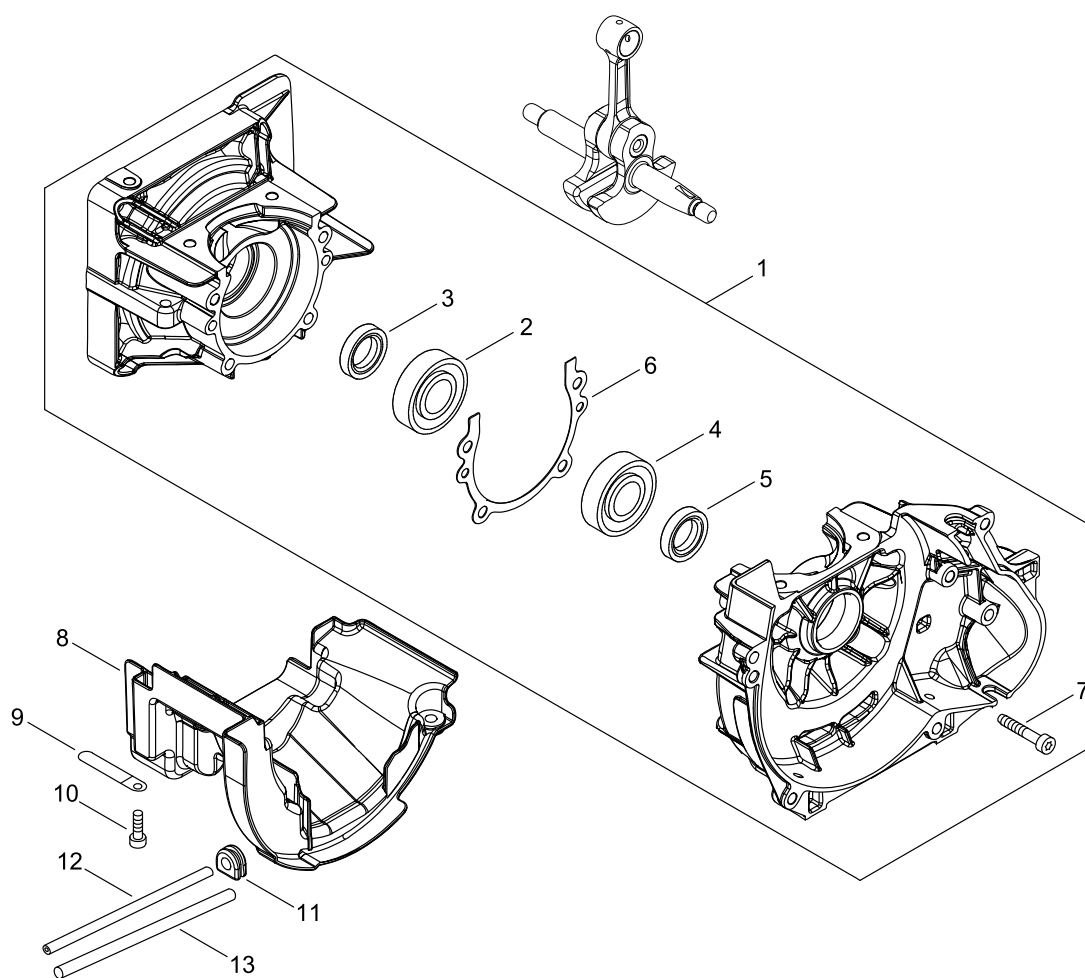
CYLINDER, PISTON, CRANKSHAFT



CYLINDER, PISTON, CRANKSHAFT

Key No.	LV (+)	Part No	Description	Qty	Standard
1		A011-001350	CRANKSHAFT,ASY	1	
2		A130-002191	CYLINDER	1	
3		V100-000790	GASKET,CYL	1	T:0.8
4		V805-000210	BOLT, TORX 5	4	TB-5*20 12.9
5		P021-050440	PISTON KIT	1	
6	+	A101-000690	RING, PISTON	2	44*1.2*1.8
7	+	V609-000000	PIN,ENG 11	1	
8	+	100015-32330	CIRCLIP, PISTON PIN	2	
9	+	V556-000000	BEARING,NEEDLE 11	1	KBK11*15*15.8X2
10	+	V308-000100	WASHER,CIRCULAR 11	2	
11		A160-002930	COVER,CYLINDER	1	
12		V835-000000	BOLT, TORX 5	1	
13		A160-002632	COVER,CYLINDER	1	SRM-420ES OUTER
14		V835-000000	BOLT, TORX 5	2	
15		X547-003580	LABEL,ECHO	1	ECHO+ BCLS-520ES
16		X524-001901	LABEL	1	

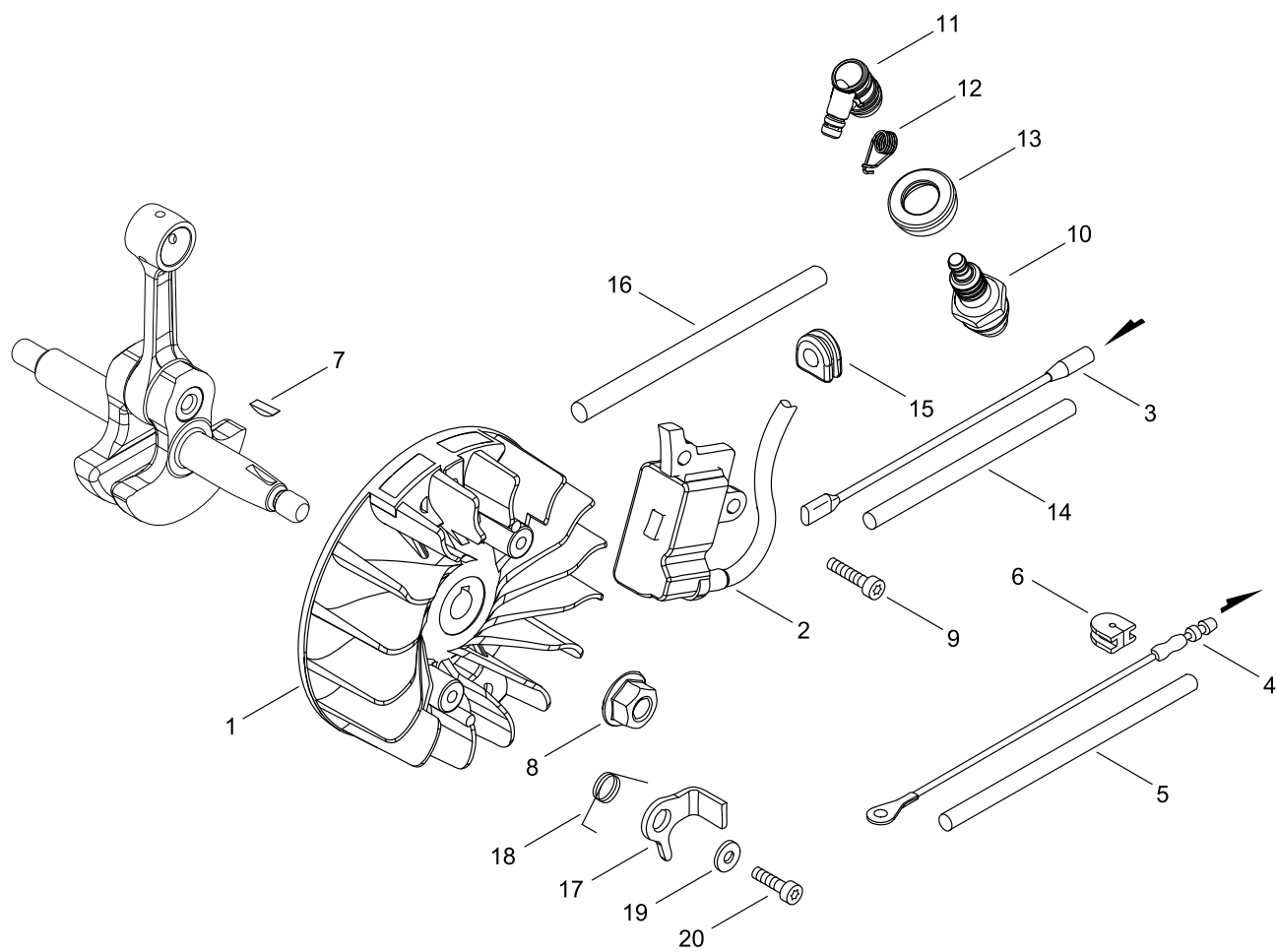
CRANKCASE



CRANKCASE

Key No.	LV (+)	Part No	Description	Qty	Standard
1		P021-047120	CRANK CASE SET	1	
2	+	900810-36202	BEARING, BALL	1	6202
3	+	100213-00310	OILSEAL	1	ISCD 15 25 7
4	+	900810-36202	BEARING, BALL	1	6202
5	+	100213-00310	OILSEAL	1	ISCD 15 25 7
6	+	V102-000260	GASKET,CRANKCASE	1	T:0.5
7	+	V805-000180	BOLT, TORX 5	4	TB-5*30 12.9
8		A209-000740	PLATE, INSULATOR	1	
9		159116-21231	CLAMP	1	
10		V835-000000	BOLT, TORX 5	2	
11		156110-04920	BUSHING	1	
12		V471-000741	PIPE	1	3*6*160
13		V475-008080	TUBE	1	8*9*125

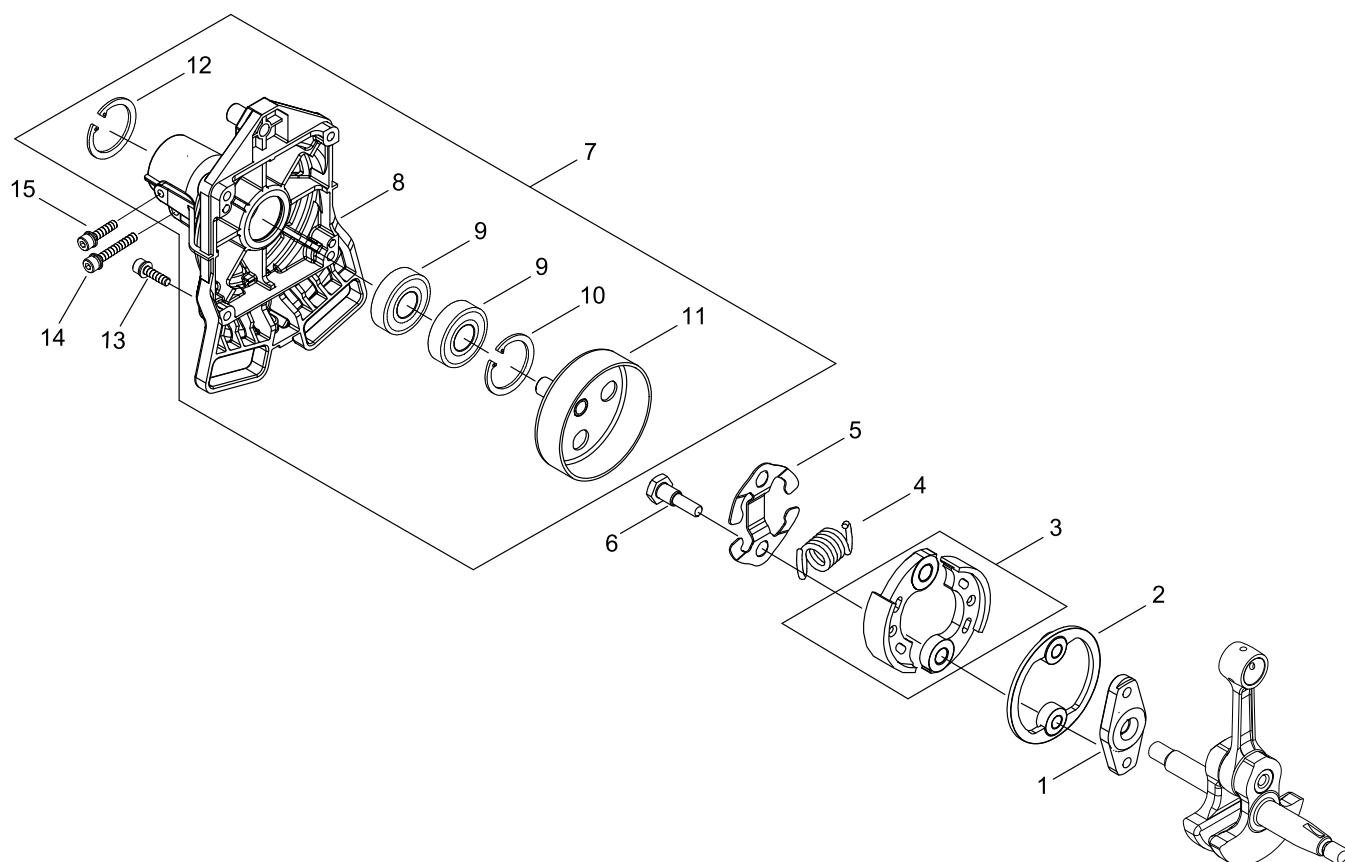
MAGNETO



MAGNETO

Key No.	LV (+)	Part No	Description	Qty	Standard
1		A409-001210	ROTOR, MAGNETO	1	
2		A411-001480	COIL, IGNITION	1	
3		V485-002331	LEAD	1	
4		V485-002570	LEAD	1	
5		V475-008080	TUBE	1	8*9*125
6		156114-07320	GROMMET	1	
7		100142-12330	KEY, WOODRUFF	1	
8		92105-08000	NUT L, FLANGE	1	8
9		V805-000150	BOLT, TORX 5	2	TB-5*16 10.9
10		A425-000000	SPARKPLUG	1	BPMR8Y
11		A427-000060	CAP, SPARK PLUG	1	
12		A426-000010	TERMINAL, SPARKPLUG	1	
13		A429-000090	COVER, CAP	1	
14		V475-007540	TUBE	1	
15		156110-04920	BUSHING	1	
16		V475-007550	TUBE	1	
17		A514-000280	PAWL	2	
18		V452-001471	SPRING, TORSION	2	
19		177247-04630	SPACER, RATCHET	2	5.2*8*2.1
20		V805-000140	BOLT, TORX 5	2	TB-5*12 10.9

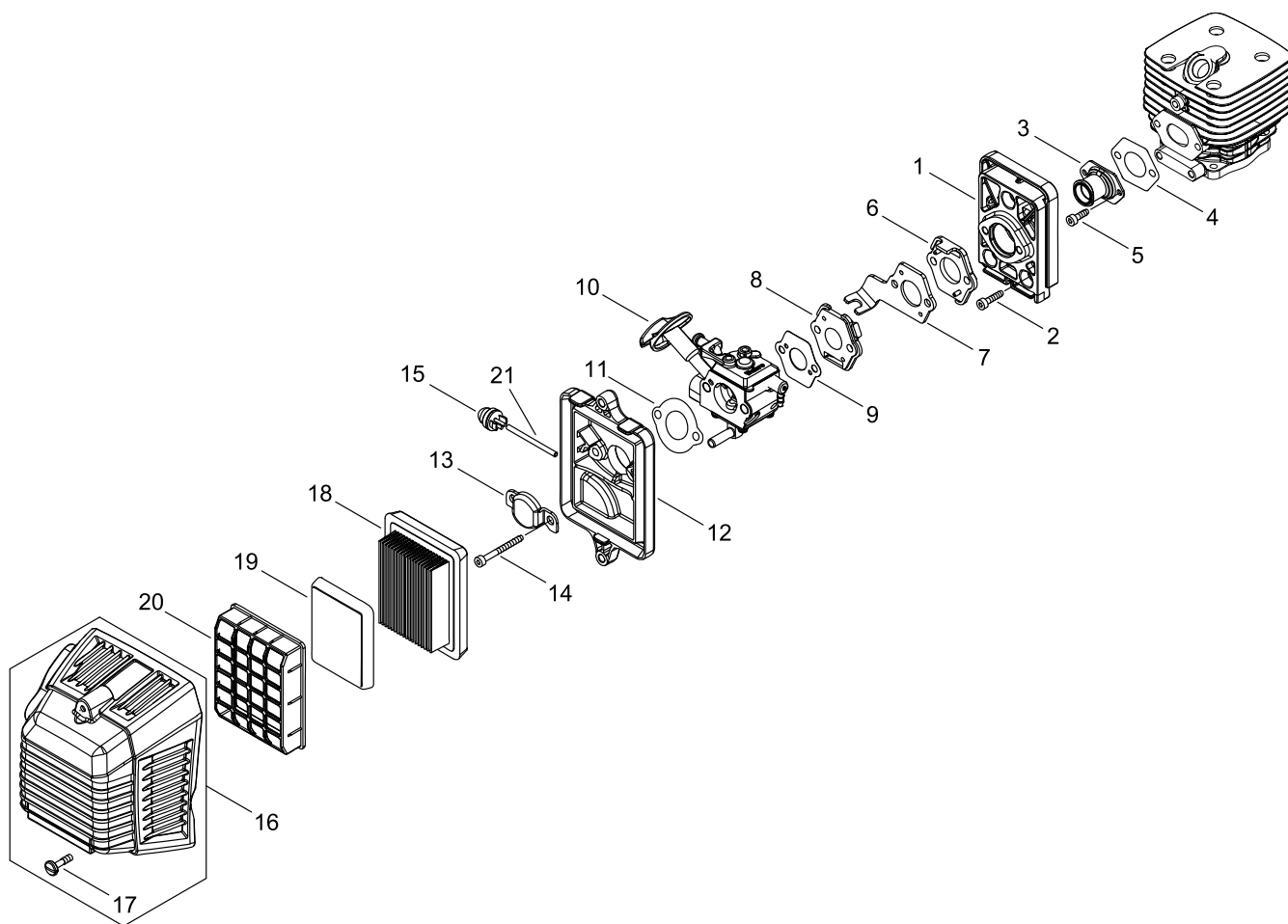
CLUTCH



CLUTCH

Key No.	LV (+)	Part No	Description	Qty	Standard
1		175016-54430	HUB, CLUTCH	1	
2		V376-001650	SPACER	1	
3		P100-000100	CLUTCH SHOE SET	1	
4		A566-000260	SPRING, CLUTCH	1	3.2 361N
5		V453-000100	SPRING,FLAT	1	10.2
6		A557-000200	SHAFT,CLUTCH	2	
7		P100-006140	CASE,CLUTCH ASY	1	
8	+	A570-000291	CASE,CLUTCH	1	
9	+	94018-46001	BEARING, BALL	2	6001LB
10	+	900702-00028	RETAINING RING, INTERNAL	1	CR-28
11	+	A556-000181	DRUM,CLUTCH	1	
12	+	900701-00012	RETAINING RING, EXTERNAL	1	CS-12
13		V805-000160	BOLT, TORX 5	4	TB-5*20 10.9
14		V805-000160	BOLT, TORX 5	1	TB-5*20 10.9
15		V805-000140	BOLT, TORX 5	1	TB-5*12 10.9

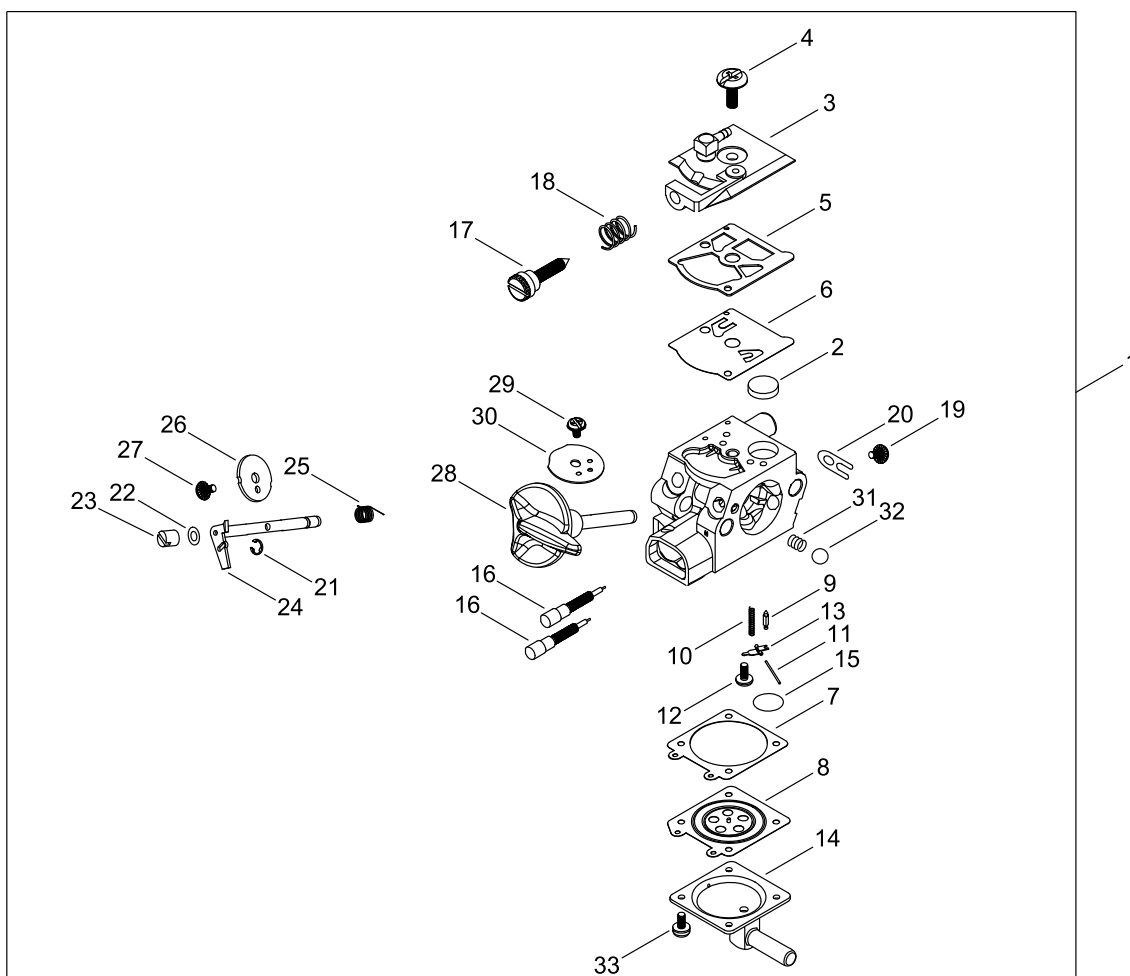
AIR CLEANER, CARBURETOR



AIR CLEANER, CARBURETOR

Key No.	LV (+)	Part No	Description	Qty	Standard
1		A200-000990	INSULATOR, INTAKE	1	
2		V855-000000	BOLT, TORX 5	3	TB-5*20
3		A202-000270	BELLOWS, INTAKE	1	
4		V103-001620	GASKET,INTAKE	1	
5		V835-000010	BOLT, TORX 5	2	TB-5*12 10.9
6		A209-000720	PLATE, INSULATOR	1	
7		C487-000410	HOLDER, CABLE	1	
8		A209-000840	PLATE, INSULATOR	1	
9		V103-001610	GASKET,INTAKE	1	
10		A021-004220	CARBURETOR, DIAPHRAGM	1	WT-1096
11		V103-000500	GASKET,INTAKE	1	ASK NO.4600
12		A225-000690	CASE,CLEANER	1	
13		A244-000290	PLATE, PREVENT	1	
14		V805-000330	BOLT, TORX 5	2	TB-5*65 12.9
15		123181-39130	PUMP, PRIMER	1	
16		P021-047381	CLEANER LID ASY	1	
17	+	V253-000100	SCREW,5	2	5*20
18		A226-000361	ELEMENT, AIR FILTER	1	AFP-2010K-300
19		A226-001740	ELEMENT, AIR FILTER	1	
20		A227-000040	PLATE, ELEMENT	1	
21		V471-001301	PIPE	1	2.4*5*65

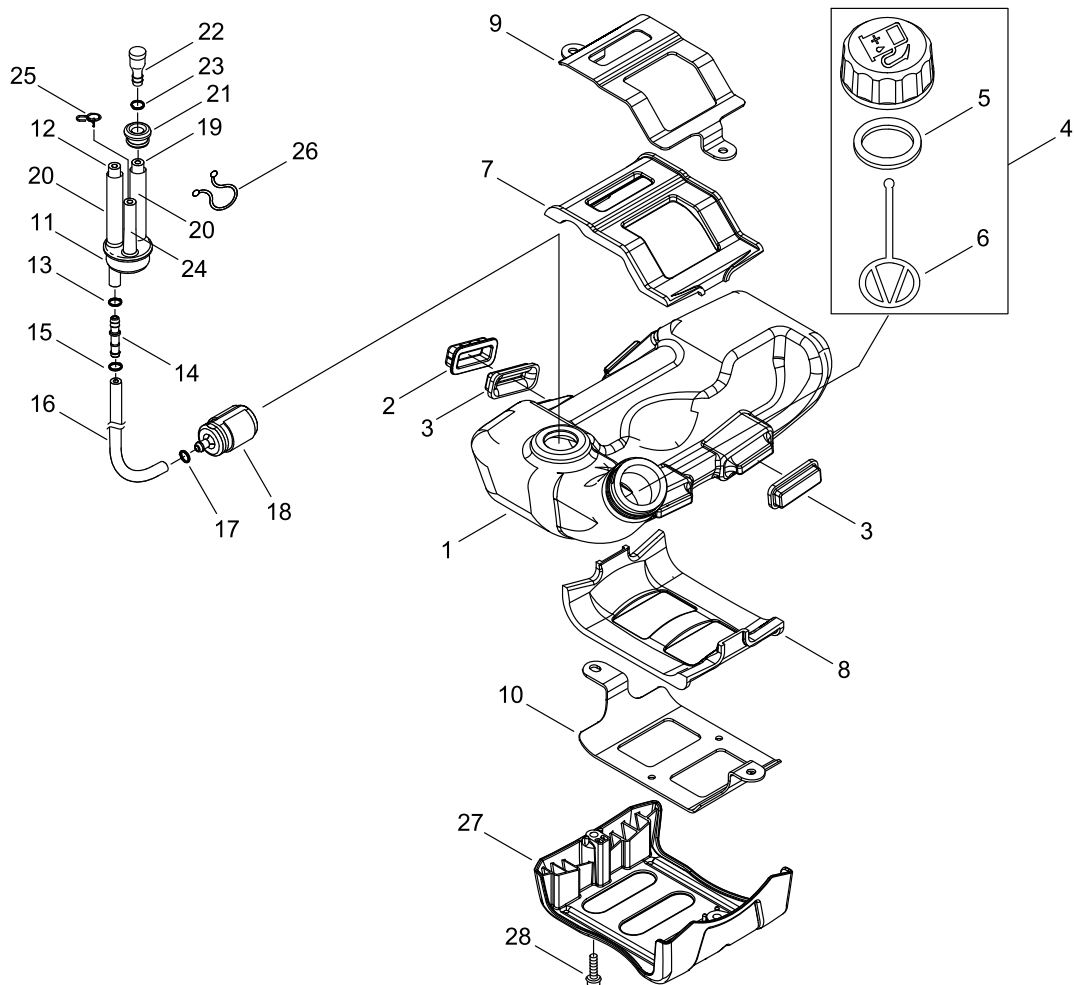
CARBURETOR



CARBURETOR

Key No.	LV (+)	Part No	Description	Qty	Standard
1		A021-004220	CARBURETOR, DIAPHRAGM	1	WT-1096
2	+	123126-10631	SCREEN, INLET	1	
3	+	P003-005450	PUMP COVER ASY	1	
4	+	123110-03930	SCREW, PUMP COVER	1	
5	+	123125-15030	GASKET, FUEL PUMP	1	
6	+	123112-15030	DIAPHRAGM, FUEL PUMP	1	
7	+	123140-27230	GASKET,M. DIAPHRAGM	1	
8	+	P003-001850	DIAPHRAGM, METERING	1	
9	+	123137-19830	VALVE, INLET NEEDLE	1	
10	+	123122-03660	SPRING, METER. LEVER	1	
11	+	123138-03930	PIN, METERING LEVER	1	
12	+	123139-03930	SCREW, M. LEVER PIN	1	
13	+	123123-03930	LEVER, METERING	1	
14	+	123142-03930	COVER, M. DIAPHRAGM	1	
15	+	123146-10631	PLUG, WELCH	1	
16	+	P003-002270	NEEDLE	2	
17	+	123134-04260	SCREW, IDLE ADJUST	1	
18	+	123133-04260	SPRING, IDLE ADJUST	1	
19	+	P003-005120	SCREW	1	
20	+	123127-03930	CLIP, THROTTLE SHAFT	1	
21	+	123173-07930	CLIP	1	
22	+	123149-54230	WASHER	1	
23	+	P003-005460	SWIVEL	1	
24	+	P003-005020	SHAFT ASM THROTTLE	1	
25	+	123113-47530	SPRING, THR. RTN.	1	
26	+	P003-000310	VALVE THROTTLE	1	
27	+	P003-002380	SCREW	1	
28	+	P003-005470	SHAFT ASY, CHOKE	1	
29	+	123114-38830	SCREW	1	
30	+	P003-001790	VALVE, CHOKE	1	
31	+	123135-10630	SPRING, CHOKE FRICT.	1	
32	+	123136-10630	BALL, CHOKE FRICTION	1	
33	+	123130-02960	SCREW	4	

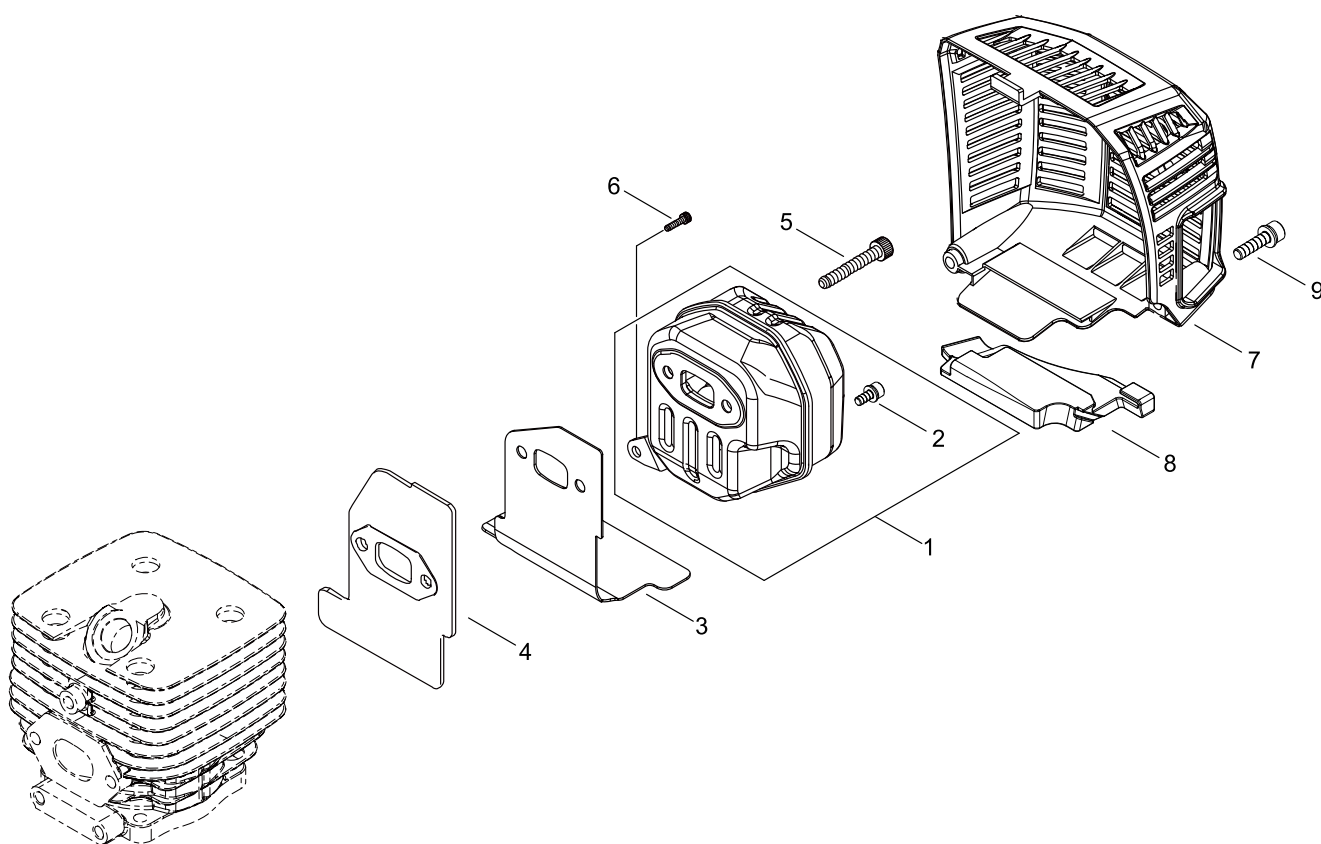
FUEL TANK



FUEL TANK

Key No.	LV (+)	Part No	Description	Qty	Standard
1		A350-002021	TANK, FUEL	1	
2		V423-000130	HOLDER,CUSHION	2	
3		V420-004860	CUSHION	4	
4		P021-012211	CAP,FUEL ASY	1	
5	+	V107-000190	GASKET,FUEL CAP	1	37.9*T2.2
6	+	A365-000060	CONNECTOR,CAP	1	L=123
7		A390-000050	SEAT,FUEL TANK	1	UPPER
8		A390-000060	SEAT,FUEL TANK	1	LOWER
9		A393-000320	BRACKET,FUEL TANK	1	
10		A393-000330	BRACKET,FUEL TANK	1	
11		132115-55931	GROMMET, FUEL	1	3 ϕ 5
12		V471-002311	PIPE	1	3*6*130
13		V490-001240	CLIP	1	
14		V186-000510	JOINT,PIPE	1	
15		130111-00530	CLIP	1	5.5
16		V470-000841	PIPE	1	Φ 5L字L180
17		V490-001240	CLIP	1	
18		A369-000001	STRAINER, FUEL	1	125-528
19		130110-14530	PIPE, IMPULSE	1	3*6*135L
20		V475-007720	TUBE	2	8*9*80
21		132115-01462	GROMMET	1	
22		131300-56431	VENT ASSEMBLY, FUEL	1	
23		V490-001240	CLIP	1	
24		V471-000630	PIPE	1	
25		V490-000510	CLIP	1	
26		V491-000460	CLIP	1	ELS-200-2
27		A175-000331	STAND	1	
28		V835-000030	BOLT, TORX 5	2	TB-5*20 10.9

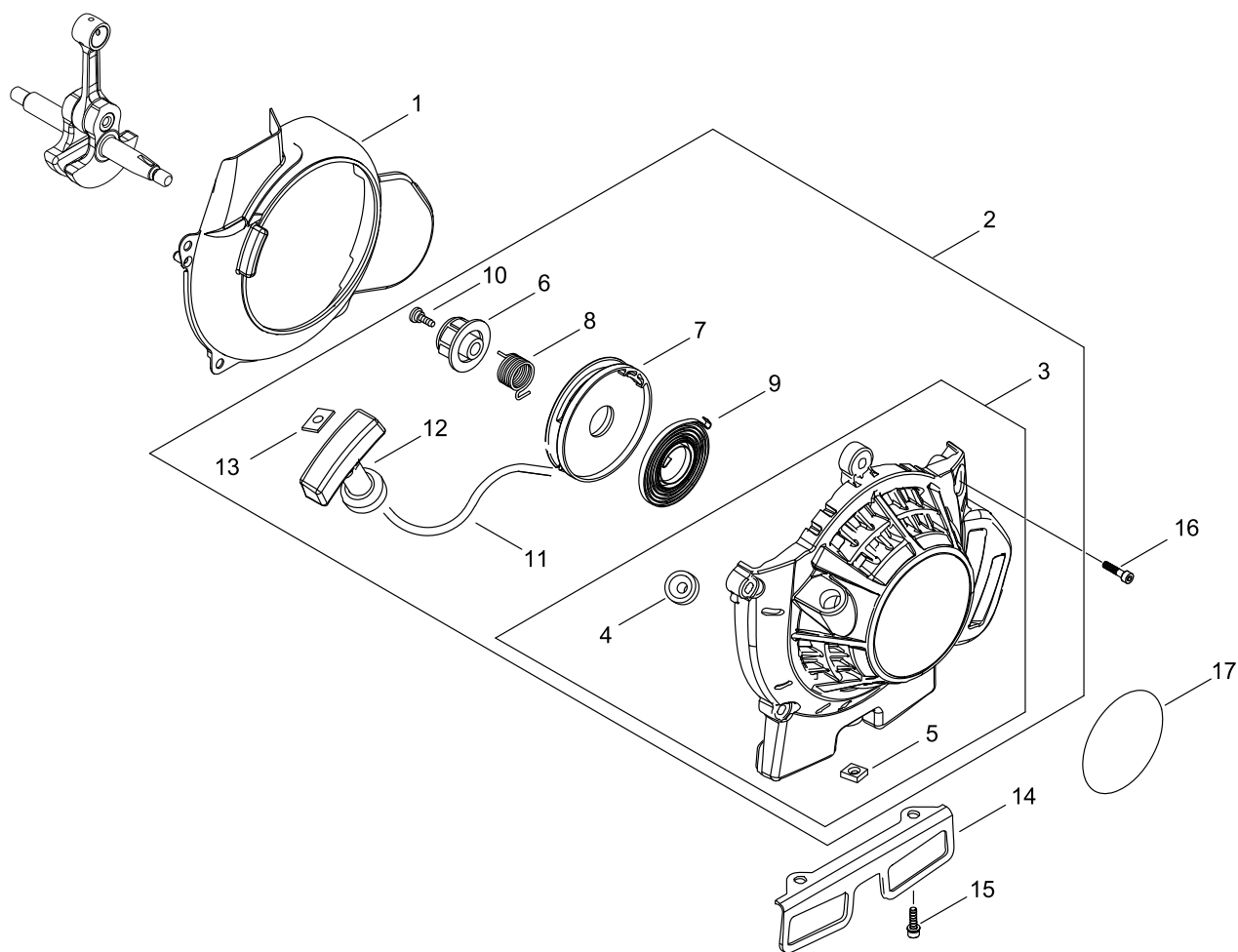
MUFFLER



MUFFLER

Key No.	LV (+)	Part No	Description	Qty	Standard
1		P100-005120	MUFFLER ASY	1	
2	+	V804-000030	BOLT, TORX 4	1	TB-4*8 10.9
3		V104-002170	GASKET,EXHAUST	1	NP7002 T:1.0
4		V104-002030	GASKET,EXHAUST	1	
5		V806-000050	BOLT, TORX 6	2	TB-6*20 12.9
6		V805-000300	BOLT, TORX 5	1	TB-5*12 12.9
7		A320-001110	COVER,MUFFLER	1	
8		V541-000540	SEAL	1	
9		V805-000260	BOLT, TORX 5	2	TB5*25 10.9

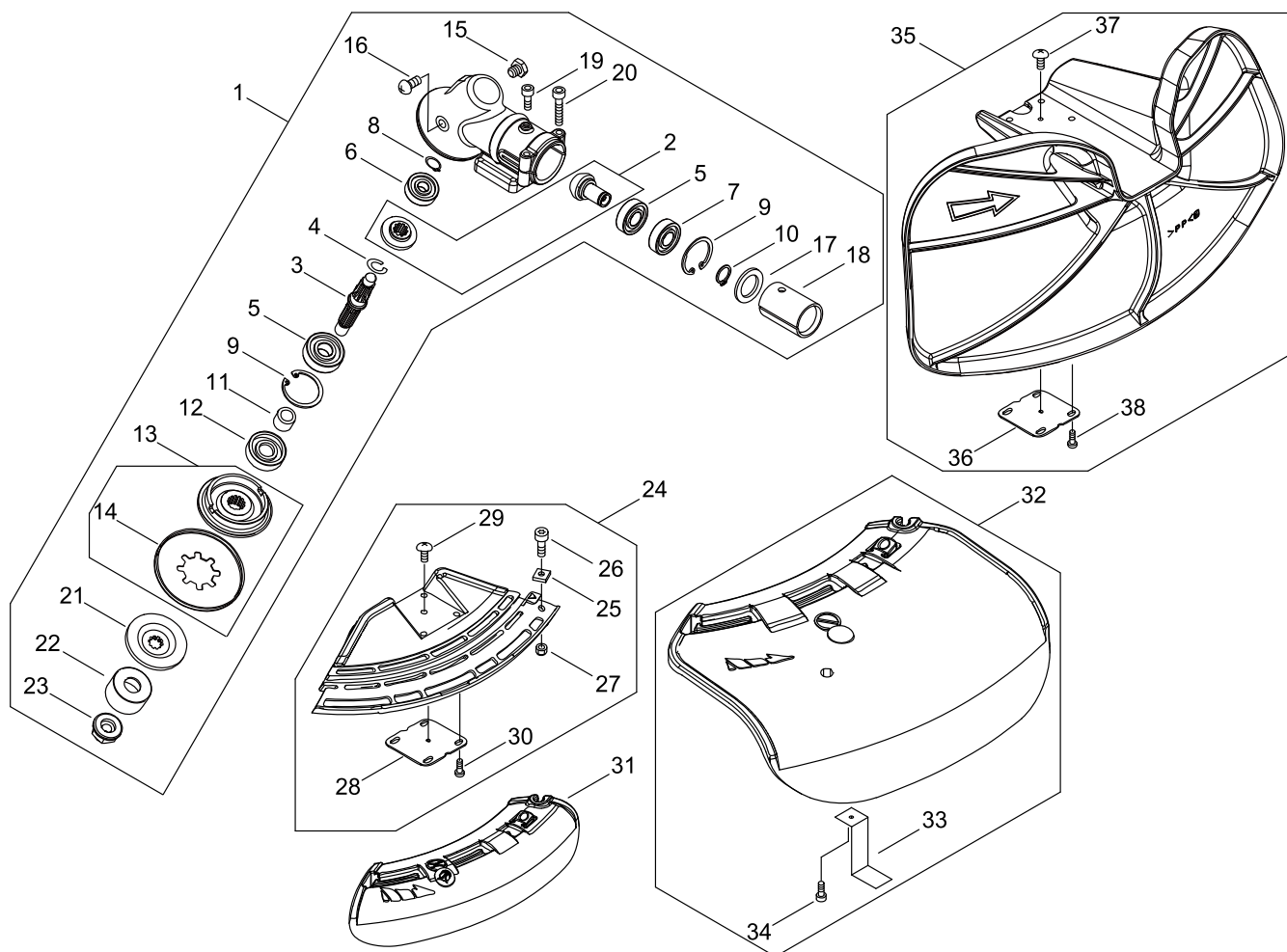
RECOIL STARTER, PULLY



RECOIL STARTER, PULLY

Key No.	LV (+)	Part No	Description	Qty	Standard
1		A172-002600	COVER,FAN	1	
2		A051-002881	STARTER,RECOIL ASY	1	
3	+	P022-037550	STARTER CASE	1	
4	++	P022-045770	GUIDE, ROPE	1	
5	++	P022-022010	NUT	1	
6	+	P022-033830	CAM	1	
7	+	P022-023140	DRUM, STARTER	1	
8	+	P022-023120	SPRING,DAMPER	1	
9	+	P022-004680	SPRING, SPIRAL	1	
10	+	P022-023110	SCREW	1	
11	+	P022-037560	ROPE, STARTER	1	
12	+	177228-11120	GRIP, STARTER	1	3テンセット
13	+	P022-037670	STOPPER, ROPE	1	
14		A393-000300	BRACKET,FUEL TANK	1	T1.5
15		V805-000150	BOLT, TORX 5	2	TB-5*16 10.9
16		V835-000030	BOLT, TORX 5	4	TB-5*20 10.9
17		X502-000900	LABEL,ECHO	1	

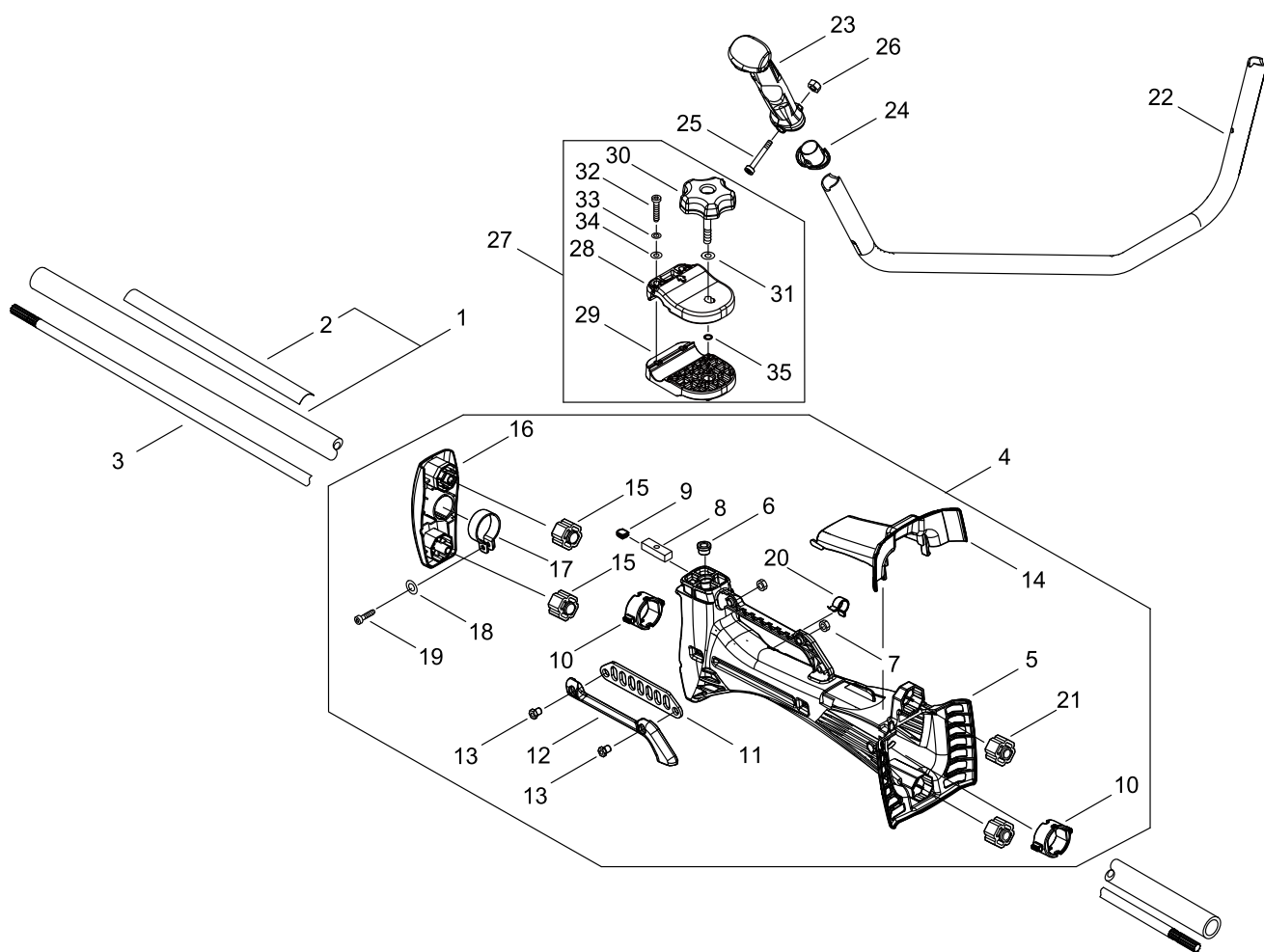
GEAR CASE, SHIELD



GEAR CASE, SHIELD

Key No.	LV (+)	Part No	Description	Qty	Standard
1		P100-009270	CASE ASY, GEAR	1	
2	+	V000-000310	GEAR SET, BEVEL	1	1.4:1
3	+	C534-000522	SHAFT,GEAR	1	
4	+	92411-14000	RETAINING RING, EXTERNAL	1	WR-14
5	+	94060-06202	BEARING, BALL	2	6202
6	+	94060-06001	BEARING, BALL	1	6001
7	+	94063-06202	BEARING, BALL	1	6202Z
8	+	900701-00012	RETAINING RING, EXTERNAL	1	CS-12
9	+	900702-00035	RETAINING RING, INTERNAL	2	CR-35
10	+	900701-00015	RETAINING RING, EXTERNAL	1	CS-15
11	+	610334-06230	SPACER, OILSEAL	1	
12	+	610413-47530	OILSEAL IS 20 35 7	1	
13	+	C535-000441	FIXTURE, BLADE	1	
14	++	610352-56830	PLATE, CUP	1	
15	+	610434-50031	BOLT 8* 8	1	M8*8
16	+	900220-04006	SCREW	1	4*6
17	+	V314-000250	WASHER,CIRCULAR 24-2	1	23X35X3.0
18	+	C511-000190	COLLAR, MAIN PIPE	1	
19	+	V805-000150	BOLT, TORX 5	1	TB-5*16 10.9
20	+	V805-000060	BOLT, TORX 5	2	TB-5*35 10.9
21	+	C535-000460	FIXTURE, BLADE	1	
22	+	X426-000170	ADAPTER,SAW	1	
23	+	610320-47530	NUT L, LOCK	1	12
24		P021-050810	SHIELD BLADE ASY	1	
25	+	900565-00005	NUT, SQUARE	1	5
26	+	V805-000170	BOLT, TORX 5	1	TB-5*25 10.9
27	+	900562-00005	NUT, LOCK	1	5
28	+	C552-000200	PLATE, SHIELD	1	
29	+	91316-04010	SCREW	1	4*10
30	+	V805-000260	BOLT, TORX 5	4	TB5*25 10.9
31		C550-000541	SHIELD, BLADE	1	
32		P021-043981	SHIELD ASY, BLADE	1	
33	+	C554-000001	KNIFE,CORD	1	
34	+	V805-000150	BOLT, TORX 5	1	TB-5*16 10.9
35		P100-009280	SHIELD ASY	1	
36	+	C552-000200	PLATE, SHIELD	1	
37	+	91316-04010	SCREW	1	4*10
38	+	V805-000260	BOLT, TORX 5	4	TB5*25 10.9

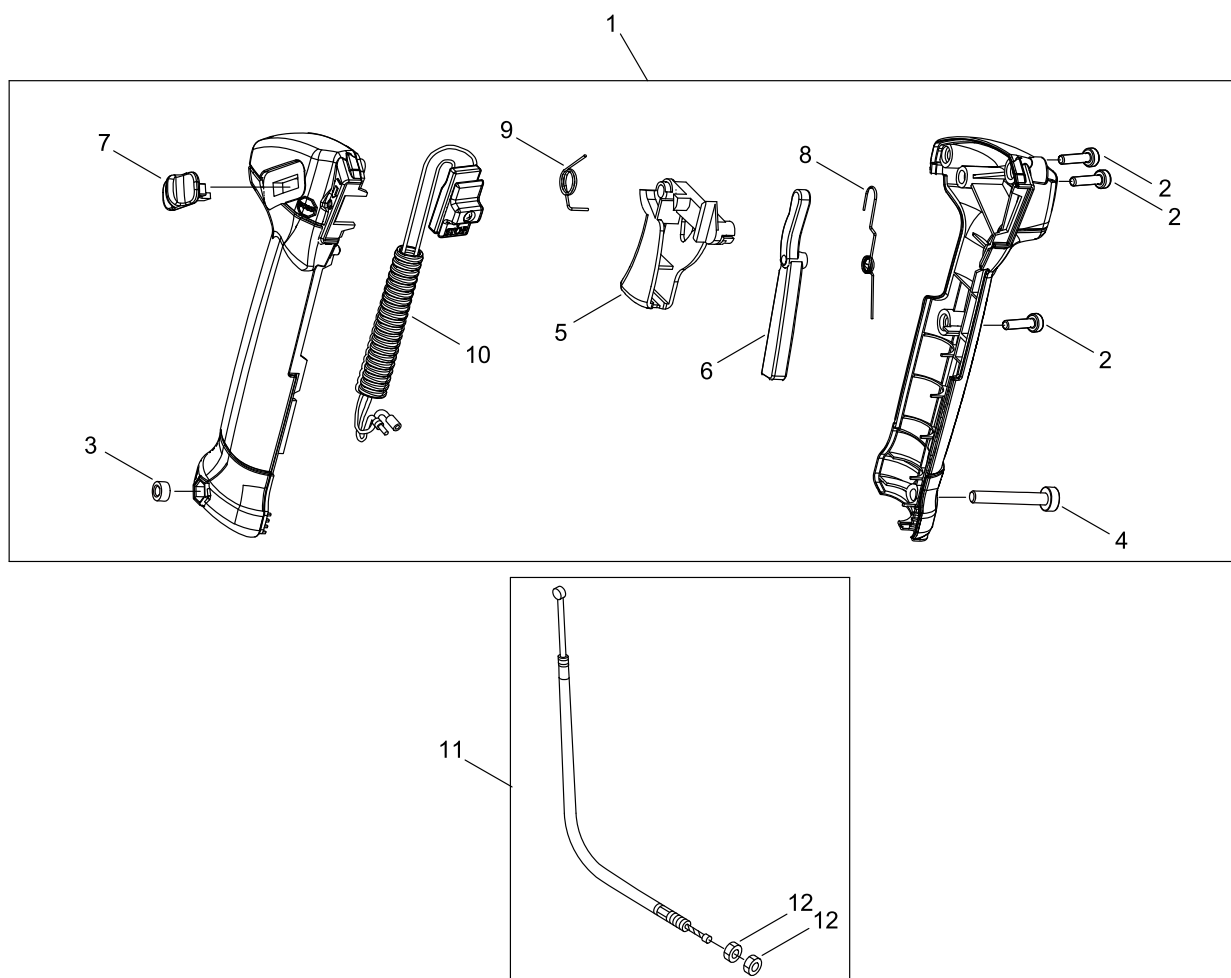
MAIN PIPE, HANDLE



MAIN PIPE, HANDLE

Key No.	LV (+)	Part No	Description	Qty	Standard
1		P100-009290	MAIN PIPE ASY	1	
2	+	890617-43130	LABEL,CAUTION	1	
3		C504-001410	SHAFT, DRIVE	1	8*1488
4		P100-009300	HANDLE SUPPORT KIT	1	
5	+	C415-000173	SUPPORTER, HANDLE	1	
6	+	V355-000751	COLLAR,8	1	SRM-420ES
7	+	V263-000020	NUT,5	2	
8	+	V265-000630	NUT,8	1	13X42XT10-M8
9	+	101538-28230	GROMMET,PLUG	1	
10	+	C427-000050	STOPPER, HANDLE	2	
11	+	V150-003590	PLATE,EYE	1	
12	+	C648-000030	HOLDER,LIFTING	1	
13	+	V805-000150	BOLT, TORX 5	2	TB-5*16 10.9
14	+	C480-000140	GUIDE, CABLE	1	
15	+	V420-005570	CUSHION	2	
16	+	P200-000540	FIXTURE,CUSHION ASY	1	
17	+	V495-003660	BAND	1	
18	+	900603-00006	WASHER	1	6
19	+	V806-000050	BOLT, TORX 6	1	TB-6*20 12.9
20	+	V490-001220	CLIP	1	
21	+	V420-004100	CUSHION	2	
22		C400-001440	HANDLE,FRONT	1	22X T2.0
23		C403-000810	GRIP, HANDLE	1	
24		C441-000000	PIECE,HAND GUARD	1	22
25		V805-000070	BOLT, TORX 5	1	TB-5*40 10.9
26		900562-50005	NUT, LOCK	1	5
27		P100-009310	PIPE FIXTURE SET	1	
28	+	C423-001070	FIXTURE, HANDLE	1	
29	+	C423-001080	FIXTURE, HANDLE	1	
30	+	V299-000110	KNOB,FASTENER	1	
31	+	175049-03920	WASHER	1	
32	+	V203-002500	BOLT,5	2	TB-5*30
33	+	900605-00005	WASHER, SPRING	2	5
34	+	900620-00005	WASHER	2	5
35	+	900720-20007	O-RING	1	P-7

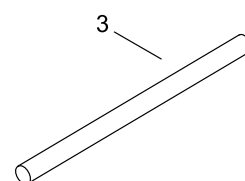
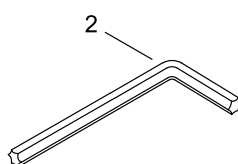
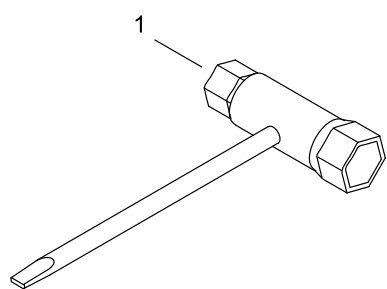
THROTTLE



THROTTLE

Key No.	LV (+)	Part No	Description	Qty	Standard
1		P100-006090	THROTTLE ASY	1	
2	+	V804-000010	BOLT, TORX 4	3	TT-4*16 DG 10.9
3	+	V805-000060	BOLT, TORX 5	1	TB-5*35 10.9
4	+	900500-00005	NUT	1	5
5	+	C450-000880	CONTROL, THROTTLE	1	
6	+	C460-000490	LOCKOUT, THROTTLE	1	
7	+	C463-000000	KNOB,LATCH	1	
8	+	V452-001540	SPRING,TORSION	1	
9	+	V452-000060	SPRING,TORSION	1	
10	+	P021-041471	SWITCH,ON OFF ASY	1	
11		V430-004690	CABLE,BOWDEN	1	
12	+	900502-00006	NUT	2	6

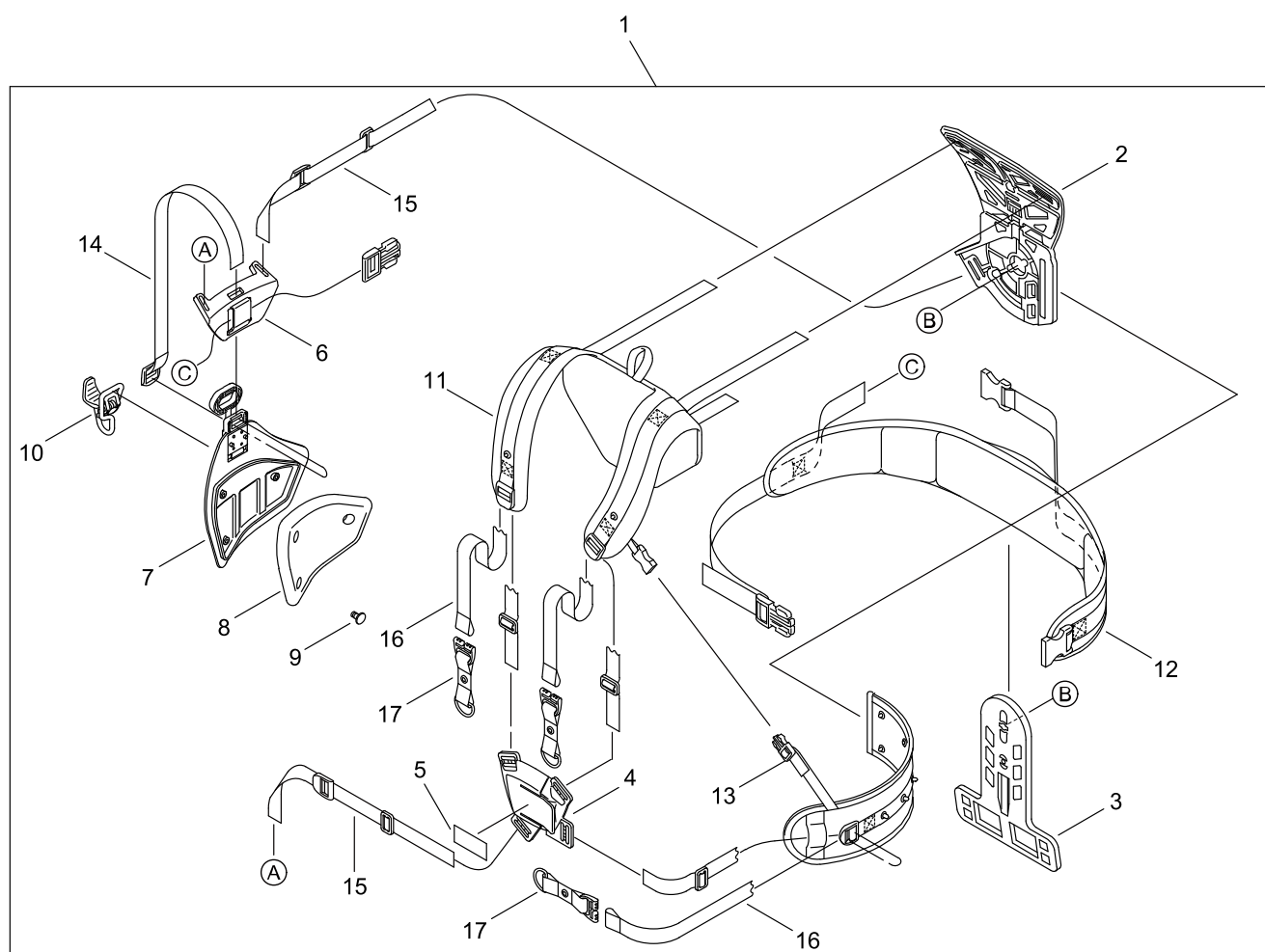
ACCESSORIES



ACCESSORIES

Key No.	LV (+)	Part No	Description	Qty	Standard
1		X602-000020	TOOL,WRENCH	1	17*19 L200
2		X605-000170	TOOL,L WRENCH	1	
3		X606-000080	TOOL,BAR	1	5*120

HARNESS



HARNESS

Key No.	LV (+)	Part No	Description	Qty	Standard
1		C062-000591	HARNESS, SHOULDER	1	ECHO
2	+	C630-000230	SEAT, BACKPACK	1	
3	+	C630-000250	SEAT, BACKPACK	1	
4	+	P021-047390	BUCKLE, HARNESS SET	1	
5	+	X502-000390	LABEL,ECHO	1	ECHO 72.5*15
6	+	C652-000070	PAD, WAIST	1	
7	+	P021-047231	PAD, WAIST ASY	1	
8	+	C652-000080	PAD, WAIST	1	
9	+	V491-000490	CLIP	3	#3S53
10	+	C063-000050	HOOK,LIFTING	1	
11	+	C644-000220	PAD, HARNESS	1	
12	+	C651-000070	BELT, HARNESS	1	ECHO
13	+	C652-000090	PAD, WAIST	1	
14	+	C650-000000	ADJUSTER,STRAP	1	
15	+	C650-000010	ADJUSTER,STRAP	2	
16	+	C650-000020	ADJUSTER,STRAP	3	
17	+	C653-000000	END,BELT	3	

NUMERICAL PARTS INDEX

Part No	Part description	Page	Part No	Part description	Page	Part No	Part description	Page
100015-32330	CIRCLIP, PISTON PIN	2	890617-43130	LABEL,CAUTION	22	A226-001740	ELEMENT, AIR FILTER	10
100142-12330	KEY, WOODRUFF	6	900220-04006	SCREW	20	A227-000040	PLATE, ELEMENT	10
100213-00310	OILSEAL	4	900500-00005	NUT	24	A244-000290	PLATE, PREVENT	10
101538-28230	GROMMET,PLUG	22	900502-00006	NUT	24	A320-001110	COVER,MUFFLER	16
123110-03930	SCREW, PUMP COVER	12	900562-00005	NUT, LOCK	20	A350-002021	TANK, FUEL	14
123112-15030	DIAPHRAGM, FUEL PUMP	12	900562-50005	NUT, LOCK	22	A365-000060	CONNECTOR,CAP	14
123113-47530	SPRING, THR. RTN.	12	900565-00005	NUT, SQUARE	20	A369-000001	STRAINER, FUEL	14
123114-38830	SCREW	12	900603-00006	WASHER	22	A390-000050	SEAT,FUEL TANK	14
123122-03660	SPRING, METER. LEVER	12	900605-00005	WASHER, SPRING	22	A390-000060	SEAT,FUEL TANK	14
123123-03930	LEVER, METERING	12	900620-00005	WASHER	22	A393-000300	BRACKET,FUEL TANK	18
123125-15030	GASKET, FUEL PUMP	12	900701-00012	RETAINING RING, EXTERNAL	8	A393-000320	BRACKET,FUEL TANK	14
123126-10631	SCREEN, INLET	12	900701-00012	RETAINING RING, EXTERNAL	20	A393-000330	BRACKET,FUEL TANK	14
123127-03930	CLIP, THROTTLE SHAFT	12	900701-00015	RETAINING RING, EXTERNAL	20	A409-001210	ROTOR, MAGNETO	6
123130-02960	SCREW	12	900701-00015	RETAINING RING, EXTERNAL	20	A411-001480	COIL, IGNITION	6
123133-04260	SPRING, IDLE ADJUST	12	900702-00028	RETAINING RING, INTERNAL	8	A425-000000	SPARKPLUG	6
123134-04260	SCREW, IDLE ADJUST	12	900702-00035	RETAINING RING, INTERNAL	20	A426-000010	TERMINAL,SPARKPLUG	6
123135-10630	SPRING, CHOKE FRICT.	12	900720-20007	O-RING	22	A427-000060	CAP,SPARK PLUG	6
123136-10630	BALL, CHOKE FRICTION	12	900810-36202	BEARING, BALL	4	A429-000090	COVER,CAP	6
123137-19830	VALVE, INLET NEEDLE	12	91316-04010	SCREW	20	A514-000280	PAWL	6
123138-03930	PIN, METERING LEVER	12	92105-08000	NUT L, FLANGE	6	A556-000181	DRUM,CLUTCH	8
123139-03930	SCREW, M. LEVER PIN	12	92411-14000	RETAINING RING, EXTERNAL	20	A557-000200	SHAFT,CLUTCH	8
123140-27230	GASKET,M. DIAPHRAGM	12	94018-46001	BEARING, BALL	8	A566-000260	SPRING, CLUTCH	8
123142-03930	COVER, M. DIAPHRAGM	12	94060-06001	BEARING, BALL	20	A570-000291	CASE,CLUTCH	8
123146-10631	PLUG, WELCH	12	94060-06202	BEARING, BALL	20	C062-000591	HARNES, SHOULDER	28
123149-54230	WASHER	12	94063-06202	BEARING, BALL	20	C063-000050	HOOK,LIFTING	28
123173-07930	CLIP	12	A011-001350	CRANKSHAFT,ASY	2	C400-001440	HANDLE,FRONT	22
123181-39130	PUMP, PRIMER	10	A021-004220	CARBURETOR, DIAPHRAGM	10	C403-000810	GRIP, HANDLE	22
130110-14530	PIPE, IMPULSE	14	A021-004220	CARBURETOR, DIAPHRAGM	12	C415-000173	SUPPORTER, HANDLE	22
130111-00530	CLIP	14	A051-002881	STARTER,RECOIL ASY	18	C423-001070	FIXTURE, HANDLE	22
131300-56431	VENT ASSEMBLY, FUEL	14	A101-000690	RING, PISTON	2	C423-001080	FIXTURE, HANDLE	22
132115-01462	GROMMET	14	A130-002191	CYLINDER	2	C427-000050	STOPPER, HAMDLE	22
132115-55931	GROMMET, FUEL	14	A160-002632	COVER,CYLINDER	2	C441-000000	PIECE,HAND GUARD	22
156110-04920	BUSHING	4	A160-002930	COVER,CYLINDER	2	C450-000880	CONTROL, THROTTLE	24
156110-04920	BUSHING	6	A172-002600	COVER,FAN	18	C460-000490	LOCKOUT, THROTTLE	24
156114-07320	GROMMET	6	A175-000331	STAND	14	C463-000000	KNOB,LATCH	24
159116-21231	CLAMP	4	A200-000990	INSULATOR, INTAKE	10	C480-000140	GUIDE, CABLE	22
175016-54430	HUB, CLUTCH	8	A202-000270	BELLOWS, INTAKE	10	C487-000410	HOLDER, CABLE	10
175049-03920	WASHER	22	A209-000720	PLATE, INSULATOR	10	C504-001410	SHAFT, DRIVE	22
177228-11120	GRIP, STARTER	18	A209-000740	PLATE, INSULATOR	4	C511-000190	COLLAR, MAIN PIPE	20
177247-04630	SPACER, RATCHET	6	A209-000840	PLATE, INSULATOR	10	C534-000522	SHAFT,GEAR	20
610320-47530	NUT L, LOCK	20	A225-000690	CASE,CLEANER	10	C535-000441	FIXTURE, BLADE	20
610334-06230	SPACER, OILSEAL	20	A226-000361	ELEMENT, AIR FILTER	10	C535-000460	FIXTURE, BLADE	20
610352-56830	PLATE, CUP	20				C550-000541	SHIELD, BLADE	20
610413-47530	OILSEAL IS 20 35 7	20				C552-000200	PLATE, SHIELD	20
610434-50031	BOLT 8* 8	20				C554-000001	KNIFE,CORD	20

NUMERICAL PARTS INDEX

Part No	Part description	Page	Part No	Part description	Page	Part No	Part description	Page
C630-000230	SEAT, BACKPACK	28	P100-009270	CASE ASY, GEAR	20	V485-002331	LEAD	6
C630-000250	SEAT, BACKPACK	28	P100-009280	SHIELD ASY	20	V485-002570	LEAD	6
C644-000220	PAD, HARNESS	28	P100-009290	MAIN PIPE ASY	22	V490-000510	CLIP	14
C648-000030	HOLDER,LIFTING	22	P100-009300	HANDLE SUPPORT KIT	22	V490-001220	CLIP	22
C650-000000	ADJUSTER,STRAP	28	P100-009310	PIPE FIXTURE SET	22	V490-001240	CLIP	14
C650-000010	ADJUSTER,STRAP	28	P200-000540	FIXTURE,CUSHION ASY	22	V491-000460	CLIP	14
C650-000020	ADJUSTER,STRAP	28	V000-000310	GEAR SET, BEVEL	20	V491-000490	CLIP	28
C651-000070	BELT, HARNESS	28	V100-000790	GASKET,CYL	2	V495-003660	BAND	22
C652-000070	PAD, WAIST	28	V102-000260	GASKET,CRANKCASE	4	V541-000540	SEAL	16
C652-000080	PAD, WAIST	28	V103-000500	GASKET,INTAKE	10	V556-000000	BEARING,NEEDLE 11	2
C652-000090	PAD, WAIST	28	V103-001610	GASKET,INTAKE	10	V609-000000	PIN,ENG 11	2
C653-000000	END,BELT	28	V103-001620	GASKET,INTAKE	10	V804-000010	BOLT, TORX 4	24
P003-000310	VALVE THROTTLE	12	V104-002030	GASKET,EXHAUST	16	V804-000030	BOLT, TORX 4	16
P003-001790	VALVE, CHOKE	12	V104-002170	GASKET,EXHAUST	16	V805-000060	BOLT, TORX 5	20
P003-001850	DIAPHRAGM, METERING	12	V107-000190	GASKET,FUEL CAP	14	V805-000060	BOLT, TORX 5	24
P003-002270	NEEDLE	12	V150-003590	PLATE,EYE	22	V805-000070	BOLT, TORX 5	22
P003-002380	SCREW	12	V186-000510	JOINT,PIPE	14	V805-000140	BOLT, TORX 5	6
P003-005020	SHAFT ASM THROTTLE	12	V203-002500	BOLT,5	22	V805-000140	BOLT, TORX 5	8
P003-005120	SCREW	12	V253-000100	SCREW,5	10	V805-000150	BOLT, TORX 5	6
P003-005450	PUMP COVER ASY	12	V263-000020	NUT,5	22	V805-000150	BOLT, TORX 5	18
P003-005460	SWIVEL	12	V265-000630	NUT,8	22	V805-000150	BOLT, TORX 5	20
P003-005470	SHAFT ASY, CHOKE	12	V299-000110	KNOB,FASTENER	22	V805-000150	BOLT, TORX 5	22
P021-012211	CAP,FUEL ASY	14	V308-000100	WASHER,CIRCULAR 11	2	V805-000160	BOLT, TORX 5	8
P021-041471	SWITCH,ON OFF ASY	24	V314-000250	WASHER,CIRCULAR 24-2	20	V805-000170	BOLT, TORX 5	20
P021-043981	SHIELD ASY, BLADE	20	V355-000751	COLLAR,8	22	V805-000180	BOLT, TORX 5	4
P021-047120	CRANK CASE SET	4	V376-001650	SPACER	8	V805-000210	BOLT, TORX 5	2
P021-047231	PAD, WAIST ASY	28	V420-004100	CUSHION	22	V805-000260	BOLT, TORX 5	16
P021-047381	CLEANER LID ASY	10	V420-004860	CUSHION	14	V805-000260	BOLT, TORX 5	20
P021-047390	BUCKLE, HARNESS SET	28	V420-005570	CUSHION	22	V805-000300	BOLT, TORX 5	16
P021-050440	PISTON KIT	2	V423-000130	HOLDER,CUSHION	14	V805-000330	BOLT, TORX 5	10
P021-050810	SHIELD BLADE ASY	20	V430-004690	CABLE,BOWDEN	24	V806-000050	BOLT, TORX 6	16
P022-004680	SPRING, SPIRAL	18	V452-000060	SPRING,TORSION	24	V806-000050	BOLT, TORX 6	22
P022-022010	NUT	18	V452-001471	SPRING,TORSION	6	V835-000000	BOLT, TORX 5	2
P022-023110	SCREW	18	V452-001540	SPRING,TORSION	24	V835-000000	BOLT, TORX 5	4
P022-023120	SPRING,DAMPER	18	V453-000100	SPRING,FLAT	8	V835-000010	BOLT, TORX 5	10
P022-023140	DRUM, STARTER	18	V470-000841	PIPE	14	V835-000030	BOLT, TORX 5	14
P022-033830	CAM	18	V471-000630	PIPE	14	V835-000030	BOLT, TORX 5	18
P022-037550	STARTER CASE	18	V471-000741	PIPE	4	V855-000000	BOLT, TORX 5	10
P022-037560	ROPE, STARTER	18	V471-001301	PIPE	10	X426-000170	ADAPTER,SAW	20
P022-037670	STOPPER, ROPE	18	V471-002311	PIPE	14	X502-000390	LABEL,ECHO	28
P022-045770	GUIDE, ROPE	18	V475-007540	TUBE	6	X502-000900	LABEL,ECHO	18
P100-000100	CLUTCH SHOE SET	8	V475-007550	TUBE	6	X524-001901	LABEL	2
P100-005120	MUFFLER ASY	16	V475-007720	TUBE	14	X547-003580	LABEL,ECHO	2
P100-006090	THROTTLE ASY	24	V475-008080	TUBE	4	X602-000020	TOOL,WRENCH	26
P100-006140	CASE,CLUTCH ASY	8	V475-008080	TUBE	6	X605-000170	TOOL,L WRENCH	26

NUMERICAL PARTS INDEX

Part No	Part description	Page
X606-00080	TOOL,BAR	26