

AEG

POWERTOOLS

BS12 G3, BS14 G3

Original instructions

Originalbetriebsanleitung

Notice originale

Istruzioni originali

Manual original

Manual original

Oorspronkelijke gebruiksaanwijzing

Original brugsanvisning

Original bruksanvisning

Bruksanvisning i original

Alkuperäiset ohjeet

Πρωτότυπο οδηγιών χρήσης

Orijinal işletme talimatı

Původním návodem k používání

Pôvodný návod na použitie

Instrukcją oryginalną

Eredeti használati utasítás

Izvirna navodila

Originalne pogonske upute

Instrukcijām oriģinālvalodā

Originali instrukcija

Algupärane kasutusjuhend

Оригинальное руководство по эксплуатации

Оригинално ръководство за експлоатация

Instrucțiuni de folosire originale

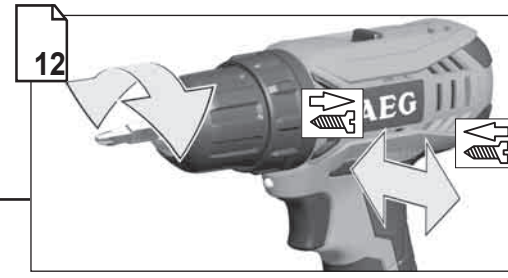
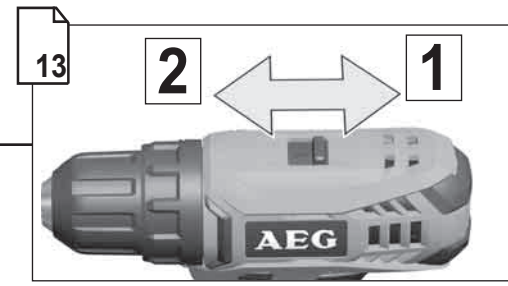
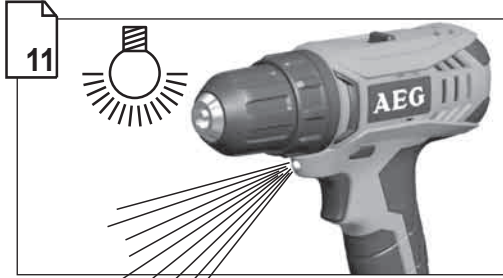
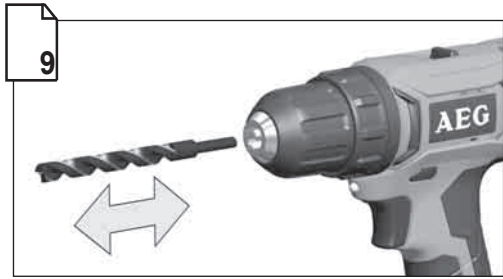
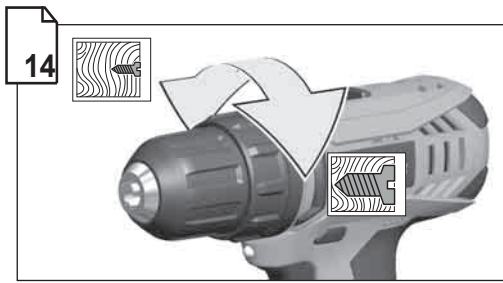
Оригинален прирачник за работа

Оригінал інструкції з експлуатації

التعليمات الأصلية

ENGLISH		Picture section with operating description and functional description	4
DEUTSCH		Bildteil mit Anwendungs- und Funktionsbeschreibungen	4
FRANÇAIS		Partie imagée avec description des applications et des fonctions	4
ITALIANO		Sezione illustrata con descrizione dell'applicazione e delle funzioni	4
ESPAÑOL		Sección de ilustraciones con descripción de aplicación y descripción funcional	4
PORTUGUES		Parte com imagens explicativas contendo descrição operacional e funcional	4
NEDERLANDS		Beelddedeelte met toepassings- en functiebeschrijvingen	4
DANSK		Billeddel med anvendelses- og funktionsbeskrivelser	4
NORSK		Billeddel med bruks- og funksjonsbeskrivelse	4
SVENSKA		Bilddel med användnings- och funktionsbeskrivning	4
SUOMI		Kuvasivut käyttö- ja toimintakuvaukset	4
ΕΛΛΗΝΙΚΑ		Τμήμα εικόνων με περιγραφές χρήσης και λειτουργίας	4
TÜRKÇE		Resim bölümü Uygulama ve fonksiyon açıklamaları ile birlikte	4
ČESKY		Obrazová část s popisem aplikací a funkcí	4
SLOVENSKY		Obrazová část s popisom aplikácií a funkcií	4
POLSKI		Część rysunkowa z opisami zastosowania i działania	4
MAGYAR		Képes részalkalmazási- és működési leírásokkal	4
SLOVENSKO		Del slikez opisom uporabe in funkcij	4
HRVATSKI		Dio sa slikamasa opisima primjene i funkcija	4
LATVISKI		Attēla daļa ar lietošanas un funkciju aprakstiem	4
LIETUVIŠKAI		Paveikslėlio dalis su vartojimo instrukcija ir funkcijų aprašymais	4
EESTI		Pildiosa kasutusjuhendi ja funktsioonide kirjeldusega	4
РУССКИЙ		Раздел иллюстраций с описанием эксплуатации и функций	4
БЪЛГАРСКИ		Част със снимки с описание за приложение и функции	4
ROMÂNIA		Secvența de imagine cu descrierea utilizării și a funcțiilor	4
МАКЕДОНСКИ		Дел со сликисо описи за употреба и функционирање	4
УКРАЇНСЬКА		Частина з зображеннями з описом робіт та функцій	4
عربي		قسم الصور يوجد به الوصف التشغيلي والوظيفي	4

Text section with Technical Data, important Safety and Working Hints and description of Symbols	16
Textteil mit Technischen Daten, wichtigen Sicherheits- und Arbeitshinweisen und Erklärung der Symbole.	18
Partie textuelle avec les données techniques, les consignes importantes de sécurité et de travail ainsi que l'explication des pictogrammes.	20
Sezione testo con dati tecnici, importanti informazioni sulla sicurezza e sull'utilizzo, spiegazione dei simboli.	22
Sección de texto con datos técnicos, indicaciones importantes de seguridad y trabajo y explicación de los símbolos.	24
Parte com texto explicativo contendo Especificações técnicas, Avisos de segurança e de operação e a Descrição dos símbolos.	26
Tekstgedeelte met technische gegevens, belangrijke veiligheids- en arbeidsinstructies en verklaring van de symbolen.	28
Tekstdel med tekniske data, vigtige sikkerheds- og arbejdsanvisninger og symbolforklaring.	30
Tekstdel med tekniske data, viktige sikkerhets- og arbeidsinstruksjoner og forklaring av symbolene.	32
Tekstdel med tekniska informationer, viktiga säkerhets- och användningsinstruktioner samt symbolförklaringar.	34
Tekstisivut: tekniset tiedot, tärkeät turvallisuus- ja työskentelyohjeet sekä merkien selitykset.	36
Τμήμα κειμένου με τεχνικά χαρακτηριστικά, σημαντικές υποδείξεις ασφαλείας και εργασίας και εξήγηση των συμβόλων.	38
Teknik bilgileri, önemli güvenlik ve çalışma açıklamalarını ve de sembollerin açıklamalarını içeren metin bölümü.	40
Textová část s technickými daty, důležitými bezpečnostními a pracovními pokyny a s vysvětlivkami symbolů	42
Textová část s technickými datami, důležitými bezpečnostními a pracovními pokyny a s vysvětlivkami symbolov	44
Część opisowa z danymi technicznymi, ważnymi wskazówkami dotyczącymi bezpieczeństwa i pracy oraz objaśnieniami symboli.	46
Szöveges rész műszaki adatokkal, fontos biztonsági- és munkavégzési útmutatásokkal, valamint a szimbólumok magyarázata.	48
Del besedila s tehničnimi podatki, pomembnimi varnostnimi opozorili in delovnimi navodili in pojasnili simbolov.	50
Dio štiva sa tehničkim podacima, važnim sigurnosnim i radnim uputama i objašnjenjem simbola.	52
Teksta daļa ar tehnikajiem parametriem, svarīgiem drošības un darbības norādījumiem, simbolu atšifrējumiem.	54
Teksto dalis su techniniais duomenimis, svarbiomis saugumo ir darbo instrukcijomis bei simbolių paaiškinimais.	56
Tekstiosa tehniliste näitajate, oluliste ohutus- ja tööjuhenditega ning sümbolite kirjeldustega.	58
Текстовый раздел, включающий технические данные, важные рекомендации по безопасности и эксплуатации, а также описание используемых символов.	60
Част с текст с технически данни, важни указания за безопасност и работа и разяснение на символите.	62
Porțiune de text cu date tehnice, indicații importante privind siguranța și modul de lucru și descrierea simbolurilor.	64
Tekstuален дел со Технички карактеристики, важни безбедносни и работни упатства и објаснување на симболите.	66
Текстова частина з техничними даними, важливими вказівками з техніки безпеки та експлуатації і поясненням символів.	68
القسم النصي المزود بالبيانات الفنية والنصائح الهامة للسلامة والعمل ووصف الرموز	70




Remove the battery pack before starting any work on the machine.
Vor allen Arbeiten an der Maschine den Wechselakku herausnehmen
Avant tous travaux sur la machine retirer l'accu interchangeable.

Prima di iniziare togliere la batteria dalla macchina.
Retire la batería antes de comenzar cualquier trabajo en la máquina.
Antes de efectuar cualquier intervención en la máquina retirar o bloco acumulador.
Voor alle werkzaamheden aan de machine de akku verwijderen.
Ved arbejde inden i maskinen, bær batteriet tages ud.
Ta ut vekselbatteriet for du arbeider på maskinen.
Drag ur batteripaket innan arbete utföres på maskinen.

Ota akku pois ennen kaikkia koneeseen tehtäviä toimenpiteitä.
Πριν από κάθε εργασία στη μηχανή αφαιρέστε την ανταλλακτική μπαταρία.
Aletin kendingin bir çalışma yapmadan önce kartuş aküyü çıkarın.
Před zahájením veškerých prací na vrtacím šroubováků vjmout výměnný akumulátor.
Pred každou prácou na stroji výmenný akumulátor vyťahnuť.
Przed przystąpieniem do jakiegokolwiek prac na elektronarzędziu należy wyjąć wkładkę akumulatorową.
Karbantartás, javítás, tisztítás, stb. előtt az akkumulátort ki kell venni a készülékből.
Pred deli na stroju izvlécite izmenljivi akumulator.
Prije svih radova na stroju izvaditi bateriju za zamjenu.
Pirms mašīnai veikt jebkāda veida apkopes darbus, ir jāizņem ārā akumulātors.

Prieš atlikdami bet kokius darbus įrenginyje, išimkite keičiamą akumuliatorių.
Enne kõiki töid masina kallal võtke vahetatu akku välja.
Выньте аккумулятор из машины перед проведением с ней каких-либо манипуляций.
Преди започване на каквито и да е работи по машината извадете акумулатора.
İnderpártaj acumulatorul înainte de începerea lucrului pe masina.
Отстранете ја батеријата пред да започнете да ја користите машината.
Перед будь-якими роботами на машині виinyати зміну акумулаторну батарею.
تم إزالة حزمة البطارية قبل البدء في أي أعمال على الجهاز.



 Remove the battery pack before starting any work on the machine.
Vor allen Arbeiten an der Maschine den Wechselakku herausnehmen
Avant tous travaux sur la machine retirer l'accu interchangeable.

Prima di iniziare togliere la batteria dalla macchina.
Retire la batería antes de començar cualquier trabajo en la máquina.

Antes de efectuar qualquer intervenção na máquina retirar o bloco acumulador.

Voor alle werkzaamheden aan de machine de akku verwijderen.

Ved arbejde inden i maskinen, bør batteriet tages ud.

Ta ut vekselbatteriet før du arbeider på maskinen
Drag ur batteripaket innan arbete utföres på maskinen.

Ota akku pois ennen kaikkia koneeseen tehtäviä toimenpiteitä.

Πριν από κάθε εργασία στη μηχανή αφαιρείτε την ανταλλακτική μπαταρία.

Aletin kendingde bir çalışma yapmadan önce kartuş aküyü çıkarın.

Před zahájením veškerých prací na vrtacím šroubováku vyjmout výměnný akumulátor.

Pred každou prácou na stroji výměnný akumulátor vytiahnuť.

Przed przystąpieniem do jakichkolwiek prac na elektronarzędziu należy wyjąć wkładkę akumulatrową.

Karbantartás, javítás, tisztítás, stb. előtt az akkumulátort ki kell venni a készülékből.

Pred deli na stroju izvlcite izmenljivi akumulator.
Prije svih radova na stroju izvaditi bateriju za zamjenu.

Pirms mašīnai veikt jebkāda veida apkopes darbus, ir jāizņem arī akumulators.

Prieš atikdami bet kokius darbus įrenginyje, išimkite keičiamą akumuliatorių.

Enne kõiki töid masina kallal võtke vahetatav aku välja.

Виньте аккумулятор из машины перед проведением с ней каких-либо манипуляций.

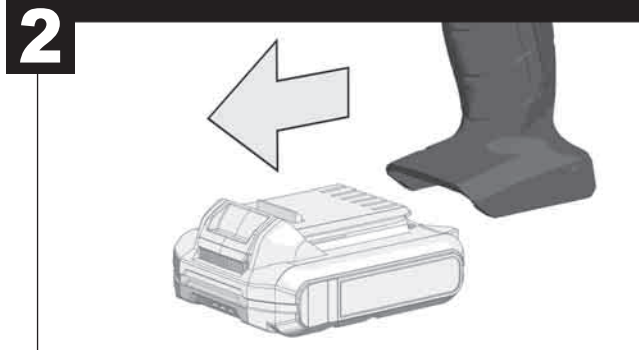
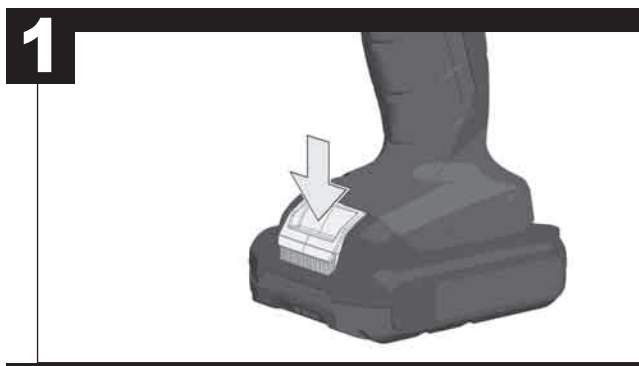
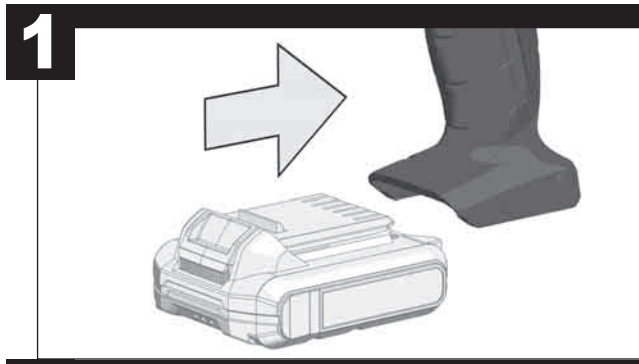
Преди започване на каквито е да е работи по машината извадете акумулатора.

Scoteți acumulatorul înainte de a începe orice intervenție pe mașină.

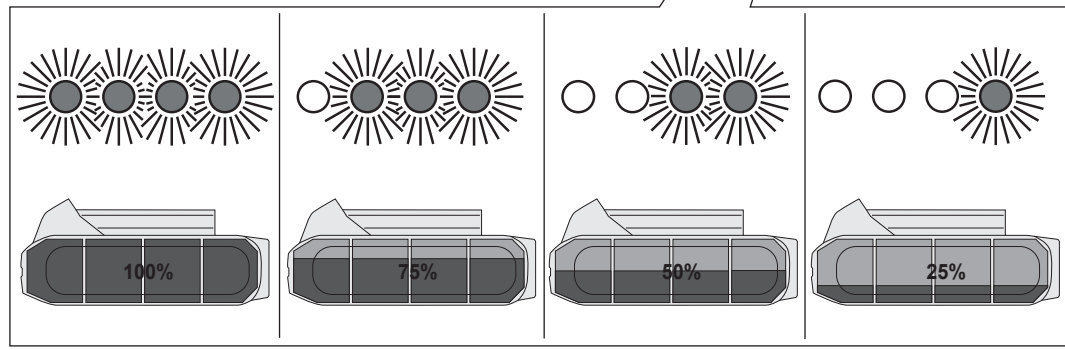
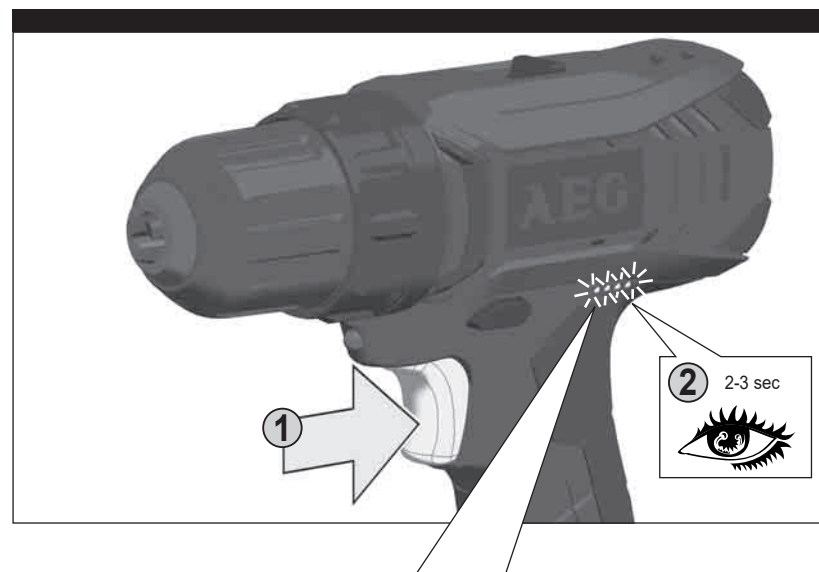
Отстранете ја батеријата пред да започнете да ја користите машината.

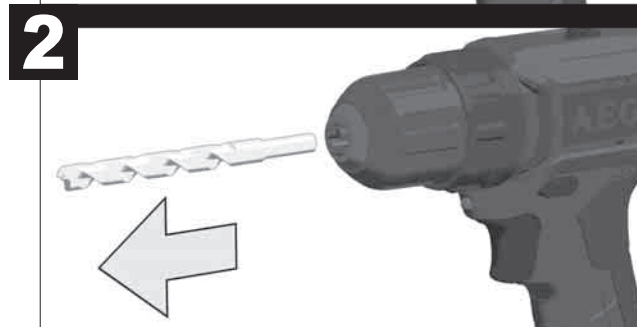
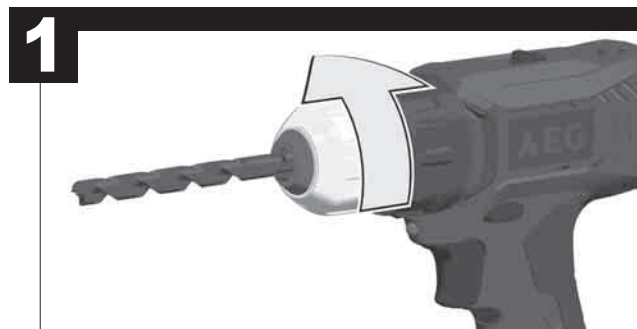
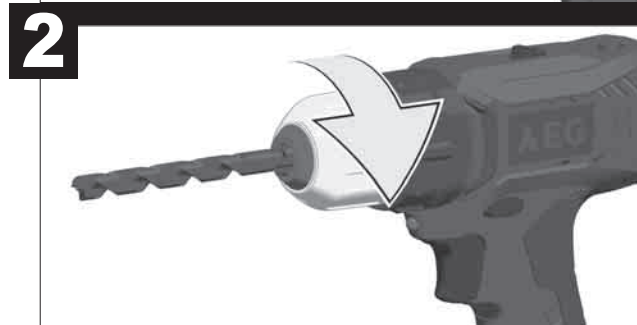
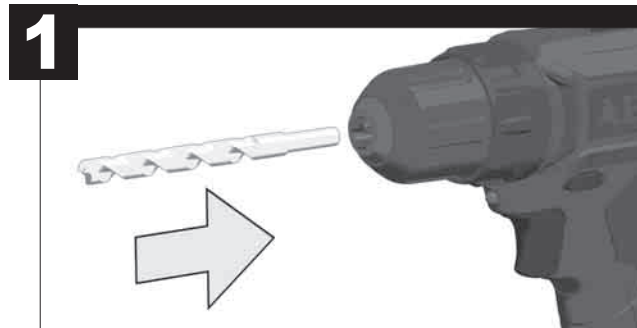
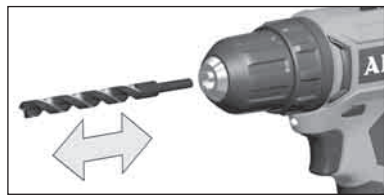
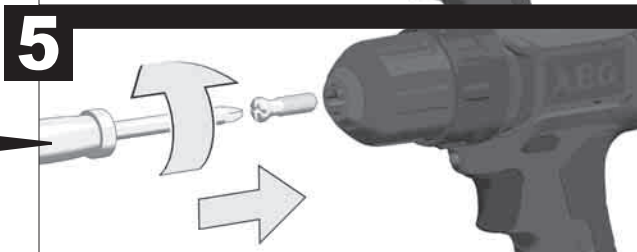
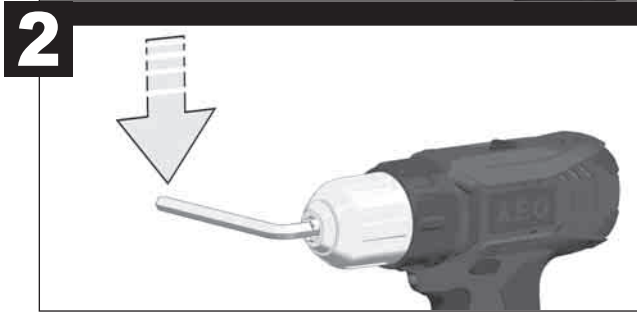
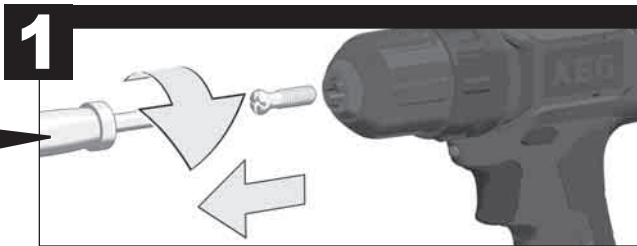
Перед будь-якими роботами на машині вийняти змінну акумуляторну батарею.

قم بإزالة حزمة البطارية قبل البدء في أي أعمال على الجهاز.



BS12 G3	BS12 G3	BS14 G3	BS14 G3	BS14 G3
4522 58 01...	4521 87 01...	4523 02 01...	4569 84 01...	4521 89 01...



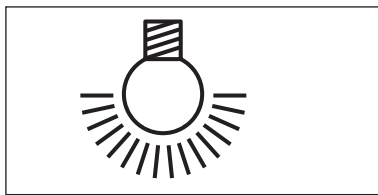




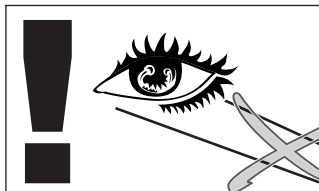
START

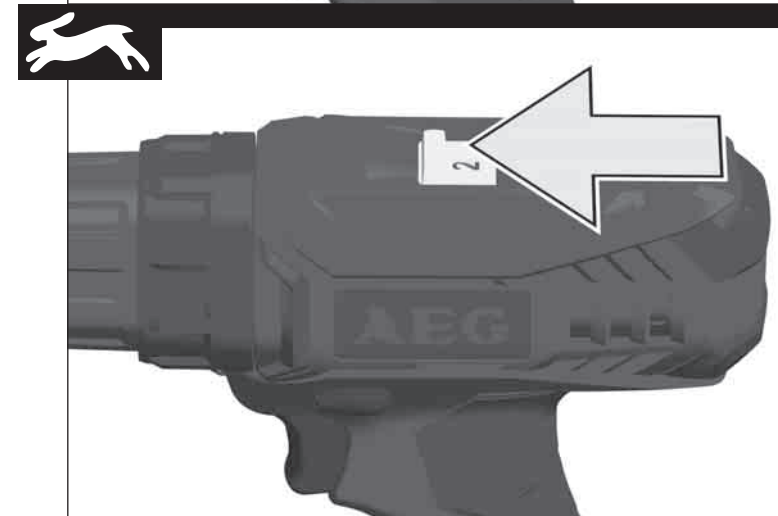
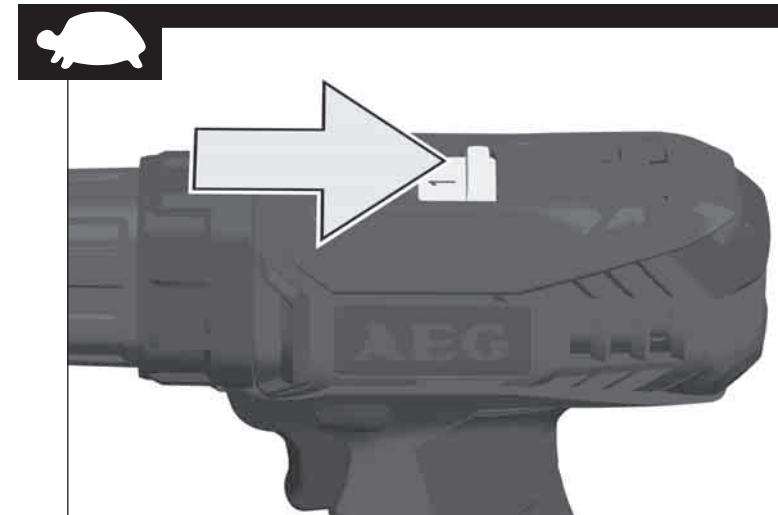
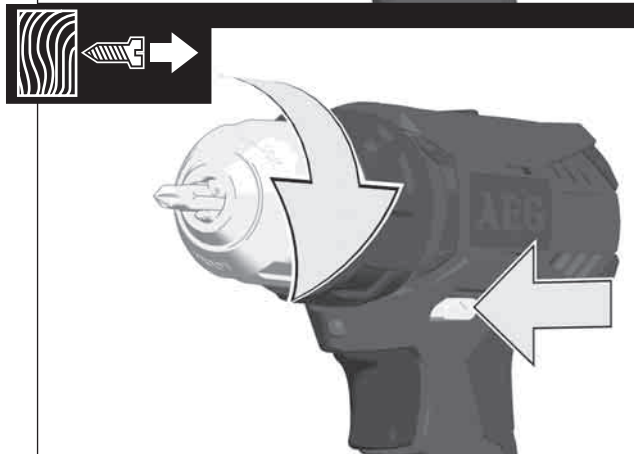
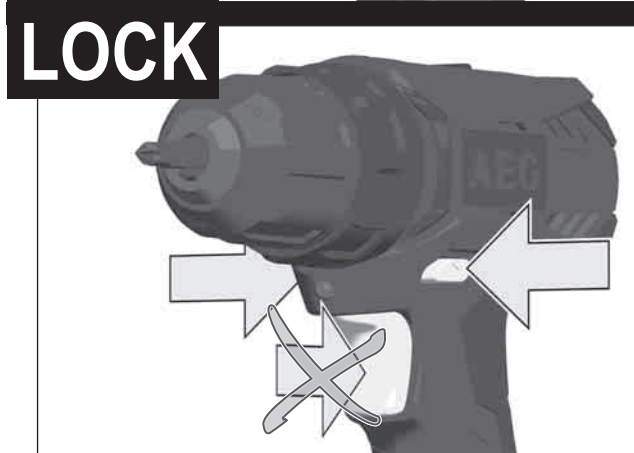


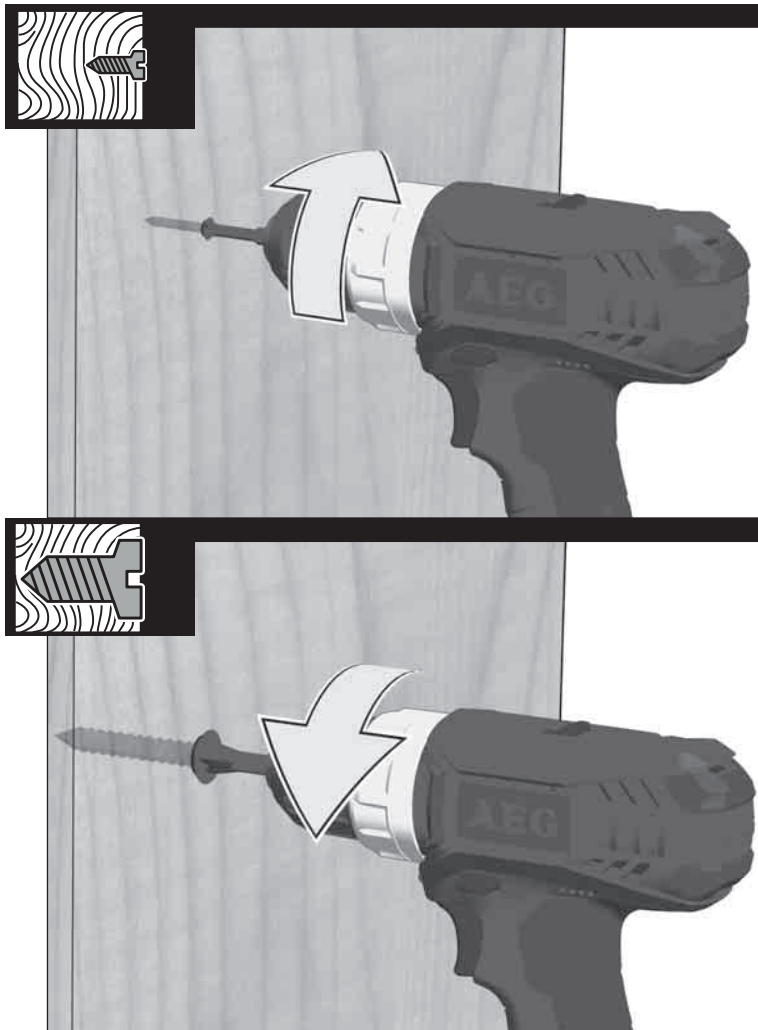
STOP



BS12 G3	BS12 G3	BS14 G3	BS14 G3	BS14 G3
4522 58 01...	4521 87 01...	4523 02 01...	4569 84 01...	4521 89 01...







TECHNICAL DATA	CORDLESS DRILL DRIVER				
	BS12 G3 Li-Ion 1,5 Ah	BS12 G3 Li-Ion 2,0 Ah	BS14 G3 Li-Ion 1,5 Ah	BS14 G3 Li-Ion 1,5 Ah	BS14 G3 Li-Ion 2,0 Ah
Production code.....	4522 58 02.....000001-999999	4521 87 02.....000001-999999	4523 02 02.....000001-999999	4569 84 02.....000001-999999	4521 89 02.....000001-999999
Drilling capacity in steel.....	10 mm.....	10 mm.....	10 mm.....	10 mm.....	13 mm
Drilling capacity in wood.....	30 mm.....	30 mm.....	30 mm.....	30 mm.....	32 mm
Wood screws (without pre-drilling).....	5 mm.....	5 mm.....	5 mm.....	5 mm.....	5 mm
No-load speed 1st gear.....	350 min ⁻¹	350 min ⁻¹	400 min ⁻¹	400 min ⁻¹	400 min ⁻¹
No-load speed 2nd gear.....	1500 min ⁻¹	1500 min ⁻¹	1700 min ⁻¹	1700 min ⁻¹	1700 min ⁻¹
Torque.....	30 Nm.....	32 Nm.....	32 Nm.....	32 Nm.....	36 Nm
Battery voltage.....	12 V.....	12 V.....	14,4 V.....	14,4 V.....	14,4 V
Drill chuck range.....	0,8-10 mm.....	0,8-10 mm.....	0,8-10 mm.....	2,0-13 mm.....	2,0-13 mm
Weight according EPTA-Procedure 01/2003.....	1,1 kg.....	1,1 kg.....	1,2 kg.....	1,2 kg.....	1,2 kg

Noise/vibration information

Measured values determined according to EN 60 745.

Typically, the A-weighted noise levels of the tool are:

Sound pressure level (Uncertainty K=3dB(A)) 84,5 dB (A)..... 84,5 dB (A)..... 86,5 dB (A) 86,5 dB (A) 86,5 dB (A)

Sound power level (Uncertainty K=3dB(A))..... 95,5 dB (A)..... 95,5 dB (A)..... 97,5 dB (A) 97,5 dB (A) 97,5 dB (A)

Wear ear protectors!

Total vibration values (vector sum in the three axes) determined according to EN 60745.

Vibration emission value

Drilling into metal a_D..... 0,5 m/s²..... 0,5 m/s²..... 1,2 m/s²..... 1,2 m/s²..... 1,2 m/s²

Uncertainty K=..... 1,5 m/s²..... 1,5 m/s²..... 1,5 m/s²..... 1,5 m/s²..... 1,5 m/s²

Screwing a..... 0,7 m/s²..... 0,7 m/s²..... 2,0 m/s²..... 2,0 m/s²..... 2,0 m/s²

Uncertainty K=..... 1,5 m/s²..... 1,5 m/s²..... 1,5 m/s²..... 1,5 m/s²..... 1,5 m/s²

WARNING

The vibration emission level given in this information sheet has been measured in accordance with a standardised test given in EN 60745 and may be used to compare one tool with another. It may be used for a preliminary assessment of exposure.

The declared vibration emission level represents the main applications of the tool. However if the tool is used for different applications, with different accessories or poorly maintained, the vibration emission may differ. This may significantly increase the exposure level over the total working period.

An estimation of the level of exposure to vibration should also take into account the times when the tool is switched off or when it is running but not actually doing the job. This may significantly reduce the exposure level over the total working period.

Identify additional safety measures to protect the operator from the effects of vibration such as: maintain the tool and the accessories, keep the hands warm, organisation of work patterns.

WARNING! Read all safety warnings and all instructions.

Failure to follow the warnings and instructions may result in electric shock, fire and/or serious injury.

Save all warnings and instructions for future reference.

DRILL SAFETY WARNINGS

Use auxiliary handle(s), if supplied with the tool. Loss of control can cause personal injury.

Hold power tool by insulated gripping surfaces, when performing an operation where the cutting accessory may contact hidden wiring.

Cutting accessory contacting a „live“ wire may make exposed metal parts of the power tool „live“ and could give the operator an electric shock.

SCREWDRIVER SAFETY WARNINGS

Hold power tool by insulated gripping surfaces, when performing an operation where the fastener may contact hidden wiring. Fasteners contacting a „live“ wire may make exposed metal parts of the power tool „live“ and could give the operator an electric shock.

ADDITIONAL SAFETY AND WORKING INSTRUCTIONS

Use protective equipment. Always wear safety glasses when working with the machine. The use of protective clothing is recommended, such as dust mask, protective gloves, sturdy non-slip footwear, helmet and ear defenders.

The dust produced when using this tool may be harmful to health. Do not inhale the dust. Wear a suitable dust protection mask.

Do not machine any materials that present a danger to health (e.g. asbestos).

Switch the device off immediately if the insertion tool stalls! Do not switch the device on again while the insertion tool is stalled, as doing so could trigger a sudden recoil with a high reactive force. Determine why the insertion tool stalled and rectify this, paying heed to the safety instructions.

The possible causes may be:

- it is tilted in the workpiece to be machined
- it has pierced through the material to be machined
- the power tool is overloaded

Do not reach into the machine while it is running.

The insertion tool may become hot during use.

WARNING! Danger of burns

- when changing tools
- when setting the device down

Chips and splinters must not be removed while the machine is running.

When working in walls ceiling, or floor, take care to avoid electric cables and gas or waterpipes.

Clamp your workpiece with a clamping device. Unclamped workpieces can cause severe injury and damage.

Remove the battery pack before starting any work on the machine.

Do not dispose of used battery packs in the household refuse or by burning them. AEG Distributors offer to retrieve old batteries to protect our environment.

Do not store the battery pack together with metal objects (short circuit risk).

Use only AL1214G3 chargers for charging System L1215G3, L1220G3, L1415G3 and L1420G3 battery packs. Do not use battery packs from other systems.

Never break open battery packs and chargers and store only in dry rooms. Keep dry at all times.

Battery acid may leak from damaged batteries under extreme load or extreme temperatures. In case of contact with battery acid wash it off immediately with soap and water. In case of eye contact rinse thoroughly for at least 10 minutes and immediately seek medical attention.

Warning! To reduce the risk of fire, personal injury, and product damage due to a short circuit, never immerse your tool, battery pack or charger in fluid or al-low a fluid to flow inside them. Corrosive or conductive fluids, such as seawater, certain industrial chemicals, and bleach or bleach containing products, etc., Can cause a short circuit.

SPECIFIED CONDITIONS OF USE

The battery drill/screwdriver is designed for drilling and screwdriving for independent use away from mains supply.

Do not use this product in any other way as stated for normal use.

EC-DECLARATION OF CONFORMITY

We declare under our sole responsibility that the product described under "Technical Data" fulfills all the relevant provisions of the directives 2011/65/EU (RoHS), 2014/30/EU, 2006/42/EC and the following harmonized standards have been used:

EN 60745-1:2009 + A11:2010

EN 60745-2-1:2010

EN 60745-2-2:2010

EN 55014-1:2006 + A1:2009 + A2:2011

EN 55014-2:2015

EN 50581:2012

Winnenden, 2017-09-25



Alexander Krug
Managing Director



Authorized to compile the technical file.

Techtronic Industries GmbH
Max-Eyth-Straße 10
71364 Winnenden
Germany

BATTERIES

Battery packs which have not been used for some time should be recharged before use.

Temperatures in excess of 50°C (122°F) reduce the performance of the battery pack. Avoid extended exposure to heat or sunshine (risk of overheating).

The contacts of chargers and battery packs must be kept clean.

For an optimum life-time, the battery packs have to be fully charged, after used.

To obtain the longest possible battery life remove the battery pack from the charger once it is fully charged.

For battery pack storage longer than 30 days:

Store the battery pack where the temperature is below 27°C and away from moisture

Store the battery packs in a 30% - 50% charged condition

Every six months of storage, charge the pack as normal.

BATTERY PACK PROTECTION LI-ION BATTERY

The battery pack has overload protection that protects it from being overloaded and helps to ensure long life.

Under extreme stress the battery electronics switch off the machine automatically. To restart, switch the machine off and then on again. If the machine does not start up again, the battery pack may have discharged completely. In this case it must be recharged in the battery charger.

TRANSPORTING LITHIUM BATTERIES

Lithium-ion batteries are subject to the Dangerous Goods Legislation requirements.

Transportation of those batteries has to be done in accordance with local, national and international provisions and regulations.

- The user can transport the batteries by road without further requirements.
- Commercial transport of Lithium-Ion batteries by third parties is subject to Dangerous Goods regulations. Transport preparation and transport are exclusively to be carried out by appropriately trained persons and the process has to be accompanied by corresponding experts.

When transporting batteries:

- Ensure that battery contact terminals are protected and insulated to prevent short circuit.
- Ensure that battery pack is secured against movement within packaging.
- Do not transport batteries that are cracked or leak.

Check with forwarding company for further advice

MAINTENANCE

Use only AEG accessories and spare parts. Should components need to be replaced which have not been described, please contact one of our AEG service agents (see our list of guarantee/service addresses).

If needed, an exploded view of the tool can be ordered. Please state the machine type printed as well as the six-digit No. on the label and order the drawing at your local service agents or directly at: Techtronic Industries GmbH, Max-Eyth-Straße 10, 71364 Winnenden, Germany.

SYMBOLS



CAUTION! WARNING! DANGER!



Remove the battery pack before starting any work on the machine.



Please read the instructions carefully before starting the machine.



Do not dispose electric tools, batteries/rechargeable batteries together with household waste material. Electric tools and batteries that have reached the end of their life must be collected separately and returned to an environmentally compatible recycling facility. Check with your local authority or retailer for recycling advice and collection point.



European Conformity Mark



National mark of conformity Ukraine



EurAsian Conformity Mark.

TECHNISCHE DATEN	AKKU-BOHRSCHRAUBER				
	BS12 G3 Li-Ion 1,5 Ah	BS12 G3 Li-Ion 2,0 Ah	BS14 G3 Li-Ion 1,5 Ah	BS14 G3 Li-Ion 1,5 Ah	BS14 G3 Li-Ion 2,0 Ah
Produktionsnummer	4522 58 02	4521 87 02	4523 02 02	4569 84 02	4521 89 02
	000001-999999	000001-999999	000001-999999	000001-999999	000001-999999
Bohr-Ø in Stahl	10 mm	10 mm	10 mm	10 mm	13 mm
Bohr-Ø in Holz	30 mm	30 mm	30 mm	30 mm	32 mm
Holzschrauben (ohne vorbohren)	5 mm	5 mm	5 mm	5 mm	5 mm
Leerlaufdrehzahl 1.Gang	350 min ⁻¹	350 min ⁻¹	400 min ⁻¹	400 min ⁻¹	400 min ⁻¹
Leerlaufdrehzahl 2.Gang	1500 min ⁻¹	1500 min ⁻¹	1700 min ⁻¹	1700 min ⁻¹	1700 min ⁻¹
Drehmoment	30 Nm	32 Nm	32 Nm	32 Nm	36 Nm
Spannung Wechselakku	12 V	12 V	14,4 V	14,4 V	14,4 V
Bohrfutterspannbereich	0,8-10 mm	0,8-10 mm	0,8-10 mm	2,0-13 mm	2,0-13 mm
Gewicht nach EPTA-Prozedur 01/2003	1,1 kg	1,1 kg	1,2 kg	1,2 kg	1,2 kg

Geräusch/Vibrationsinformation

Messwerte ermittelt entsprechend EN 60 745.

Der A-bewertete Geräuschpegel des Gerätes beträgt

typischerweise:

Schalldruckpegel (Unsicherheit K=3dB(A))

Schalleistungspegel (Unsicherheit K=3dB(A))

Gehörschutz tragen!

Schwingungsgesamtwerte (Vektorsumme dreier Richtungen)

ermittelt entsprechend EN 60745.

Schwingungsemissionswert

Bohren in Metall a_{hD}

Unsicherheit K =

Schrauben a_h

Unsicherheit K =

WARNUNG

Der in diesen Anweisungen angegebene Schwingungspegel ist entsprechend einem in EN 60745 genormten Messverfahren gemessen worden und kann für den Vergleich von Elektrowerkzeugen miteinander verwendet werden. Er eignet sich auch für eine vorläufige Einschätzung der Schwingungsbelastung.

Der angegebene Schwingungspegel repräsentiert die hauptsächlichsten Anwendungen des Elektrowerkzeugs. Wenn allerdings das Elektrowerkzeug für andere Anwendungen, mit abweichenden Einsatzwerkzeugen oder ungenügender Wartung eingesetzt wird, kann der Schwingungspegel abweichen. Dies kann die Schwingungsbelastung über den gesamten Arbeitszeitraum deutlich erhöhen.

Für eine genaue Abschätzung der Schwingungsbelastung sollten auch die Zeiten berücksichtigt werden, in denen das Gerät abgeschaltet ist oder zwar läuft, aber nicht tatsächlich im Einsatz ist. Dies kann die Schwingungsbelastung über den gesamten Arbeitszeitraum deutlich reduzieren.

Legen Sie zusätzliche Sicherheitsmaßnahmen zum Schutz des Bedieners vor der Wirkung von Schwingungen fest wie zum Beispiel: Wartung von Elektrowerkzeug und Einsatzwerkzeugen, Warmhalten der Hände, Organisation der Arbeitsabläufe.

⚠️ WARNUNG! Lesen Sie alle Sicherheitshinweise und Anweisungen.

Versäumnisse bei der Einhaltung der Sicherheitshinweise und Anweisungen können elektrischen Schlag, Brand und/oder schwere Verletzungen verursachen.

Bewahren Sie alle Sicherheitshinweise und Anweisungen für die Zukunft auf.

⚠️ SICHERHEITSHINWEISE FÜR BOHRMASCHINEN

Benutzen Sie die mit dem Gerät gelieferten Zusatzhandgriffe, wenn diese mitgeliefert werden. Der Verlust der Kontrolle kann zu Verletzungen führen.

Halten Sie das Gerät an den isolierten Griffflächen, wenn Sie Arbeiten ausführen, bei denen das Einsatzwerkzeug verborgene Stromleitungen treffen kann. Der Kontakt mit einer spannungsführenden Leitung kann auch metallene Geräteteile unter Spannung setzen und zu einem elektrischen Schlag führen.

⚠️ SICHERHEITSHINWEISE FÜR SCHRAUBER

Halten Sie das Gerät an den isolierten Griffflächen, wenn Sie Arbeiten ausführen, bei denen die Schraube verborgene Stromleitungen treffen kann. Der Kontakt der Schraube mit einer spannungsführenden Leitung kann metallene Geräteteile unter Spannung setzen und zu einem elektrischen Schlag führen.

WEITERE SICHERHEITS- UND ARBEITSHINWEISE

Schutz-ausrüstung verwenden. Beim Arbeiten mit der Maschine stets Schutzbrille tragen. Schutzkleidung wie Staubschutzmaske, Schutzhandschuhe, festes und rutschsicheres Schuhwerk, Helm und Gehörschutz werden empfohlen.

Beim Arbeiten entstehender Staub ist oft gesundheitsschädlich und sollte nicht in den Körper gelangen. Geeignete Staubschutzmaske tragen.

Es dürfen keine Materialien bearbeitet werden, von denen eine Gesundheitsgefährdung ausgeht (z.B. Asbest).

Beim Blockieren des Einsatzwerkzeuges bitte das Gerät sofort ausschalten! Schalten Sie das Gerät nicht wieder ein, solange das Einsatzwerkzeug blockiert ist; hierbei könnte ein Rückschlag mit hohem Reaktionsmoment entstehen. Ermitteln und beheben Sie die Ursache für die Blockierung des Einsatzwerkzeuges unter Berücksichtigung der Sicherheitshinweise.

Mögliche Ursachen dafür können sein:

- Verkanten im zu bearbeitenden Werkstück
- Durchbrechen des zu bearbeitenden Materials
- Überlasten des Elektrowerkzeuges

Greifen Sie nicht in die laufende Maschine.

Das Einsatzwerkzeug kann während der Anwendung heiß werden.

WARNUNG! Verbrennungsgefahr

- bei Werkzeugwechsel
- bei Ablegen des Gerätes

Späne oder Splitter dürfen bei laufender Maschine nicht entfernt werden.

Beim Arbeiten in Wand, Decke oder Fußboden auf elektrische Kabel, Gas- und Wasserleitungen achten.

Sichern Sie Ihr Werkstück mit einer Spannvorrichtung. Nicht gesicherte Werkstücke können schwere Verletzungen und Beschädigungen verursachen.

Vor allen Arbeiten an der Maschine den Wechselakku herausnehmen

Verbrauchte Wechselakku nicht ins Feuer oder in den Hausmüll werfen. AEG bietet eine umweltgerechte Alt-Wechselakku-Entsorgung an; bitte fragen Sie Ihren Fachhändler.

Wechselakku nicht zusammen mit Metallgegenständen aufbewahren (Kurzschlussgefahr).

Wechselakku L1215G3, L1220G3, L1415G3, L1420G3 nur mit Ladegerät AL1214G3 laden. Keine Akkus aus anderen Systemen laden.

Unter extremer Belastung oder extremer Temperatur kann aus beschädigten Wechselakkus Batterieflüssigkeit auslaufen. Bei Berührung mit Batterieflüssigkeit sofort mit Wasser und Seife abwaschen. Bei Augenkontakt sofort mindestens 10 Minuten gründlich spülen und unverzüglich einen Arzt aufsuchen.

Warnung! Um die durch einen Kurzschluss verursachte Gefahr eines Brandes, von Verletzungen oder Produktbeschädigungen zu vermeiden, tauchen Sie das Werkzeug, den Wechselakku oder das Ladegerät nicht in Flüssigkeiten ein und sorgen Sie dafür, dass keine Flüssigkeiten in die Geräte und Akkus eindringen. Korrodierende oder leitfähige Flüssigkeiten, wie Salzwasser, bestimmte Chemikalien und Bleichmittel oder Produkte, die Bleichmittel enthalten, können einen Kurzschluss verursachen.

BESTIMMUNGSGEMÄSSE VERWENDUNG

Der Akku-Bohrschrauber ist universell einsetzbar zum Bohren und Schrauben unabhängig von einem Netzanschluss.

Dieses Gerät darf nur wie angegeben bestimmungsgemäß verwendet werden.

CE-KONFORMITÄTSERKLÄRUNG

Wir erklären in alleiniger Verantwortung, dass das unter „Technische Daten“ beschriebene Produkt mit alle relevanten Vorschriften der Richtlinie 2011/65/EU (RoHS), 2014/30/EU, 2006/42/EG und den folgenden harmonisierten normativen Dokumenten übereinstimmt:

EN 60745-1:2009 + A11:2010

EN 60745-2-1:2010

EN 60745-2-2:2010

EN 55014-1:2006 + A1:2009 + A2:2011

EN 55014-2:2015

EN 50581:2012

Winnenden, 2017-09-25



Alexander Krug
Managing Director



Bevollmächtigt die technischen Unterlagen zusammenzustellen

Techtronic Industries GmbH

Max-Eyth-Straße 10

71364 Winnenden

Germany

AKKUS

Längere Zeit nicht benutzte Wechselakkus vor Gebrauch nachladen.

Eine Temperatur über 50°C vermindert die Leistung des Wechselakkus. Längere Erwärmung durch Sonne oder Heizung vermeiden.

Die Anschlusskontakte an Ladegerät und Wechselakku sauber halten.

Für eine optimale Lebensdauer müssen nach dem Gebrauch die Akkus voll geladen werden.

Für eine möglichst lange Lebensdauer sollten die Akkus nach dem Aufladen aus dem Ladegerät entfernt werden.

Bei Lagerung des Akkus länger als 30 Tage:

Akku bei ca. 27°C und trocken lagern.

Akku bei ca. 30%-50% des Ladezustandes lagern.

Akku alle 6 Monate erneut aufladen.

AKKÜBERLASTSCHUTZ LI-ION AKKU

Der Akkupack ist mit einem Überlastschutz ausgestattet, der den Akku vor Überlastung schützt und eine hohe Lebensdauer sicherstellt. Bei extrem starker Beanspruchung schaltet die Akkuelektronik die

Maschine automatisch ab. Zum Weiterarbeiten Maschine Aus- und wieder Einschalten. Sollte die Maschine nicht wieder anlaufen, ist der Akkupack möglicherweise entladen und muss im Ladegerät wieder aufgeladen werden.

TRANSPORT VON LITHIUM-IONEN-AKKUS

Lithium-Ionen-Akkus fallen unter die gesetzlichen Bestimmungen zum Gefahrguttransport.

Der Transport dieser Akkus muss unter Einhaltung der lokalen, nationalen und internationalen Vorschriften und Bestimmungen erfolgen.

- Verbraucher dürfen diese Akkus ohne Weiteres auf der Straße transportieren.
- Der kommerzielle Transport von Lithium-Ionen-Akkus durch Speditionsunternehmen unterliegt den Bestimmungen des Gefahrguttransports. Die Versandvorbereitungen und der Transport dürfen ausschließlich von entsprechend geschulten Personen durchgeführt werden. Der gesamte Prozess muss fachmännisch begleitet werden.

Folgende Punkte sind beim Transport von Akkus zu beachten:

- Stellen Sie sicher, dass die Kontakte geschützt und isoliert sind, um Kurzschlüsse zu vermeiden.
- Achten Sie darauf, dass der Akkupack innerhalb der Verpackung nicht verrutschen kann.
- Beschädigte oder auslaufende Akkus dürfen nicht transportiert werden.

Wenden Sie sich für weitere Hinweise an Ihr Speditionsunternehmen.

WARTUNG

Nur AEG Zubehör und Ersatzteile verwenden. Bauteile, deren Austausch nicht beschrieben wurde, bei einer AEG Kundendienststelle auswechseln lassen (Broschüre Garantie/Kundendienstadressen beachten).

Bei Bedarf kann eine Explosionszeichnung des Gerätes unter Angabe der Maschinen Type und der sechsstelligen Nummer auf dem Leistungsschild bei Ihrer Kundendienststelle oder direkt bei Techtronic Industries GmbH, Max-Eyth-Straße 10, 71364 Winnenden, Germany angefordert werden.

SYMBOLE



ACHTUNG! WARNUNG! GEFAHR!



Vor allen Arbeiten an der Maschine den Wechselakku herausnehmen



Bitte lesen Sie die Gebrauchsanweisung vor Inbetriebnahme sorgfältig durch.



Elektrogeräte, Batterien/Akkus dürfen nicht zusammen mit dem Hausmüll entsorgt werden. Elektrische Geräte und Akkus sind getrennt zu sammeln und zur umweltgerechten Entsorgung bei einem Verwertungsbetrieb abzugeben. Erkundigen Sie sich bei den örtlichen Behörden oder bei Ihrem Fachhändler nach Recyclinghöfen und Sammelstellen.



CE-Zeichen



Nationales Konformitätszeichen Ukraine



EurAsian Konformitätszeichen.

CARACTÉRISTIQUES TECHNIQUES	VISSEUSE SANS FIL		BS12 G3	BS12 G3	BS14 G3	BS14 G3	BS14 G3
	Li-Ion 1,5 Ah	Li-Ion 2,0 Ah	Li-Ion 1,5 Ah	Li-Ion 2,0 Ah	Li-Ion 1,5 Ah	Li-Ion 2,0 Ah	Li-Ion 2,0 Ah
Numéro de série.....	4522 58 02.....	4521 87 02.....	4523 02 02.....	4569 84 02.....	4521 89 02.....	000001-999999.....	000001-999999.....
Ø de perçage dans acier.....	10 mm.....	10 mm.....	10 mm.....	10 mm.....	13 mm.....	10 mm.....	10 mm.....
Ø de perçage dans bois.....	30 mm.....	30 mm.....	30 mm.....	30 mm.....	32 mm.....	30 mm.....	30 mm.....
Vis à bois (sans avant trou).....	5 mm.....	5 mm.....	5 mm.....	5 mm.....	5 mm.....	5 mm.....	5 mm.....
Vitesse de rotation 1ère vitesse.....	350 min ⁻¹	350 min ⁻¹	400 min ⁻¹	400 min ⁻¹	400 min ⁻¹	400 min ⁻¹	400 min ⁻¹
Vitesse de rotation 2ème vitesse.....	1500 min ⁻¹	1500 min ⁻¹	1700 min ⁻¹	1700 min ⁻¹	1700 min ⁻¹	1700 min ⁻¹	1700 min ⁻¹
Couple*1.....	30 Nm.....	32 Nm.....	32 Nm.....	32 Nm.....	36 Nm.....	30 Nm.....	30 Nm.....
Tension accu interchangeable.....	12 V.....	12 V.....	14,4 V.....	14,4 V.....	14,4 V.....	12 V.....	12 V.....
Plage de serrage du mandrin.....	0,8-10 mm.....	0,8-10 mm.....	0,8-10 mm.....	2,0-13 mm.....	2,0-13 mm.....	0,8-10 mm.....	0,8-10 mm.....
Poids suivant EPTA-Procedure 01/2003.....	1,1 kg.....	1,1 kg.....	1,2 kg.....	1,2 kg.....	1,2 kg.....	1,1 kg.....	1,1 kg.....

Bruits et vibrations

Valeurs de mesure obtenues conformément à la EN 60 745.

La mesure réelle (A) du niveau de bruit de l'outil est

Niveau de pression acoustique (Incertitude K=3dB(A))..... 84,5 dB (A)..... 84,5 dB (A)..... 86,5 dB (A)..... 86,5 dB (A)..... 86,5 dB (A)

Niveau d'intensité acoustique (Incertitude K=3dB(A))..... 95,5 dB (A)..... 95,5 dB (A)..... 97,5 dB (A)..... 97,5 dB (A)..... 97,5 dB (A)

Toujours porter une protection acoustique!

Valeurs totales des vibrations (somme vectorielle de trois sens) établies conformément à EN 60745.

Valeur d'émission vibratoire

Perçage dans le métal a _{h,D}	0,5 m/s ²	0,5 m/s ²	1,2 m/s ²	1,2 m/s ²	1,2 m/s ²
Incertitude K=.....	1,5 m/s ²	1,5 m/s ²	1,5 m/s ²	1,5 m/s ²	1,5 m/s ²
Vissage a.....	0,7 m/s ²	0,7 m/s ²	2,0 m/s ²	2,0 m/s ²	2,0 m/s ²
Incertitude K=.....	1,5 m/s ²	1,5 m/s ²	1,5 m/s ²	1,5 m/s ²	1,5 m/s ²

AVERTISSEMENT

Le niveau vibratoire indiqué dans ces instructions a été mesuré selon un procédé de mesure normalisé dans la norme EN 60745 et peut être utilisé pour comparer des outils électriques entre eux. Il convient aussi à une estimation provisoire de la sollicitation par les vibrations.

Le niveau vibratoire indiqué représente les applications principales de l'outil électrique. Toutefois, si l'outil électrique est utilisé pour d'autres applications, avec des outils rapportés qui diffèrent ou une maintenance insuffisante, il se peut que le niveau vibratoire diverge. Cela peut augmenter nettement la sollicitation par les vibrations sur tout l'intervalle de temps du travail.

Pour une estimation précise de la sollicitation par les vibrations, on devrait également tenir compte des temps pendant lesquels l'appareil n'est pas en marche ou tourne sans être réellement en service. Cela peut réduire nettement la sollicitation par les vibrations sur tout l'intervalle de temps du travail.

Définissez des mesures de sécurité supplémentaires pour protéger l'utilisateur contre l'influence des vibrations, comme par exemple : la maintenance de l'outil électrique et des outils rapportés, le maintien au chaud des mains, l'organisation des déroulements de travail.

AVIS! Lire complètement les instructions et les indications de sécurité. Le non-respect des avertissements et instructions indiqués ci après peut entraîner un choc électrique, un incendie et/ou de graves blessures sur les personnes.

Bien garder tous les avertissements et instructions.

INSTRUCTIONS DE SÉCURITÉ POUR PERCEUSES

Utilisez les poignées supplémentaires livrées en même temps que l'appareil. La perte de contrôle peut mener à des blessures.

Maintenez l'appareil par les surfaces de poignée isolées lorsque vous exécutez des travaux pendant lesquels l'outil de coupe peut toucher des lignes électriques dissimulées. Le contact avec un câble sous tension met les parties métalliques de l'appareil sous tension et provoque une décharge électrique.

INSTRUCTIONS DE SÉCURITÉ POUR VISSEUSES

Tenir l'appareil aux surfaces isolées faisant office de poignée pendant les travaux au cours desquels la vis peut toucher des lignes électriques dissimulées. Le contact de la vis avec un câble qui conduit la tension peut mettre des parties d'appareil en métal sous tension et mener à une décharge électrique.

AVIS COMPLÉMENTAIRES DE SÉCURITÉ ET DE TRAVAIL

Utiliser l'équipement de protection. Toujours porter des lunettes de protection pendant le travail avec la machine. Il est recommandé de porter des articles de protection, tels que masque antipoussière, gants de protection, chaussures tenant bien aux pieds et antidérapantes, casque et protection acoustique.

Les poussières qui sont dégagées pendant les travaux sont souvent nocives pour la santé et ne devraient pas pénétrer dans le corps. Porter un masque de protection approprié contre les poussières.

Il est interdit de travailler des matériaux dangereux pour la santé (par ex. amiante).

Désactiver immédiatement le dispositif en cas de blocage ! Ne pas réactiver le dispositif avec l'outil bloqué; il y a le risque de provoquer un contre-coup avec moment de réaction élevé. Établir et éliminer la cause du blocage de l'outil en prêtant attention aux consignes de sécurité.

Les causes possibles sont :

- Encastrement dans la pièce à travailler.
- Le dispositif a traversé le matériau à travailler en le cassant.
- Le dispositif électrique a été surchargé.

Ne pas approcher les mains de la partie en mouvement de la machine.

Durant l'utilisation, l'outil peut se surchauffer.

AVERTISSEMENT! Danger de brûlures

- durant le remplacement de l'outil
- durant la dépose de l'outil

Ne jamais enlever les copeaux ni les éclats lorsque la machine est en marche.

Lors du perçage dans les murs, les plafonds ou les planchers, toujours faire attention aux câbles électriques et aux conduites de gaz et d'eau.

Fixer fermement la pièce en exécution à l'aide d'un dispositif de serrage. Des pièces en exécution non fermement fixées peuvent provoquer des dommages et des lésions graves.

Avant tous travaux sur la machine retirer l'accu interchangeable.

Ne pas jeter les accus interchangeables usés au feu ou avec les déchets ménagers. AEG offre un système d'évacuation écologique des accus usés.

Ne pas conserver les accus interchangeables avec des objets métalliques (risque de court-circuit)

Ne charger les accus interchangeables L1215G3, L1220G3, L1415G3, L1420G3 qu'avec le chargeur AL1214G3. Ne pas charger des accus d'autres systèmes.

Ne pas ouvrir les accus interchangeables et les chargeurs et ne les stocker que dans des locaux secs. Les protéger contre l'humidité.

En cas de conditions ou températures extrêmes, du liquide caustique peut s'échapper d'un accu interchangeable endommagé. En cas de contact avec le liquide caustique de la batterie, laver immédiatement avec de l'eau et du savon. En cas de contact avec les yeux, rincer soigneusement avec de l'eau et consulter immédiatement un médecin.

Avertissement! Pour réduire le risque d'incendie, de blessures corporelles et de dommages cau-sés par un court-circuit, ne jamais immerger l'outil, le bloc-piles ou le chargeur dans un liquide ou laisser couler un fluide à l'intérieur de celui-ci. Les fluides corrosifs ou conducteurs, tels que l'eau de mer, certains produits chim-iques industriels, les produits de blanchiment ou de blanchi-ment, etc., Peuvent provoquer un court-circuit.

UTILISATION CONFORME AUX PRESCRIPTIONS

La perceuse-visseuse à accu est conçue pour un travail universel de perçage et de vissage sans être branchée sur le secteur.

Comme déjà indiqué, cette machine n'est conçue que pour être utilisée conformément aux prescriptions.

DECLARATION CE DE CONFORMITÉ

Nous déclarons sous notre propre responsabilité que le produit décrit au „Données techniques“ est conforme à toutes les dispositions des directives 2011/65/EU (RoHS), 2014/30/UE, 2006/42/CE et des documents normatifs harmonisés suivants:

EN 60745-1:2009 + A11:2010
EN 60745-2-1:2010
EN 60745-2-2:2010
EN 55014-1:2006 + A1:2009 + A2:2011
EN 55014-2:2015
EN 50581:2012

Winnenden, 2017-09-25



Alexander Krug
Managing Director

Autorisé à compiler la documentation technique.

Techtronic Industries GmbH
Max-Eyth-Straße 10
71364 Winnenden
Germany



ACCUS

Recharger les accus avant utilisation après une longue période de non utilisation.

Une température supérieure à 50°C amoindrit la capacité des accus. Eviter les expositions prolongées au soleil ou au chauffage.

Tenir propres les contacts des accus et des chargeurs.

Après l'usage, les accus doivent être chargés entièrement pour une durée de vie optimale.

Pour une plus longue durée de vie, enlever les batteries du chargeur de batterie quand celles-ci seront chargées.

En cas d'entreposage de la batterie pour plus de 30 jours: Entreposer la batterie à 27°C environ dans un endroit sec. Entreposer la batterie avec une charge d'environ 30% - 50%. Recharger la batterie tous les 6 mois.

PROTECTION DE L'ACCU CONTRE LES SURCHARGES

Le bloc d'accus est équipé d'un dispositif de protection contre la surcharge qui protège l'accu contre une surcharge et qui assure une longue durée de vie.

En cas de sollicitation extrêmement élevée, l'unité électronique de l'accu éteint la machine automatiquement. Pour continuer le travail, il convient d'éteindre la machine et de l'enclencher à nouveau. Si la machine ne redémarre pas, il se peut que le bloc d'accus soit déchargé et qu'il doive être rechargé dans le chargeur.

TRANSPORT DE BATTERIES LITHIUM-ION

Les batteries lithium-ion sont soumises aux dispositions législatives concernant le transport de produits dangereux.

Le transport de ces batteries devra s'effectuer dans le respect des dispositions et des normes locales, nationales et internationales.

- Les utilisateurs peuvent transporter ces batteries sans restrictions.
- Le transport commercial de batteries lithium-ion est réglé par les dispositions concernant le transport de produits dangereux. La préparation au transport et le transport devront être effectués uniquement par du personnel formé de façon adéquate. Tout le procédé devra être géré d'une manière professionnelle.

Durant le transport de batteries il faut respecter les consignes suivantes :

- S'assurer que les contacts soient protégés et isolés en vue d'éviter des courts-circuits.
- S'assurer que le groupe de batteries ne puisse pas se déplacer à l'intérieur de son emballage.
- Des batteries endommagées ou des batteries perdant du liquide ne devront pas être transportées.

Pour tout renseignement complémentaire veuillez vous adresser à votre transporteur professionnel.

ENTRETIEN

Utiliser uniquement les accessoires AEG et les pièces détachées AEG. Faire remplacer les composants dont le remplacement n'a pas été décrit, par un des centres de service après-vente AEG (observer la brochure avec les adresses de garantie et de service après-vente).

En cas de besoin il est possible de demander un dessin éclaté du dispositif en indiquant le modèle de la machine et le numéro de six chiffres imprimé sur la plaquette de puissance et en s'adressant au centre d'assistance technique ou directement à Techtronic Industries GmbH, Max-Eyth-Straße 10, 71364 Winnenden, Germany.

SYMBOLES



ATTENTION! AVERTISSEMENT! DANGER!



Avant tous travaux sur la machine retirer l'accu interchangeable.



Veuillez lire avec soin le mode d'emploi avant la mise en service



Les dispositifs électriques, les batteries et les batteries rechargeables ne sont pas à éliminer dans les déchets ménagers.

Les dispositifs électriques et les batteries sont à collecter séparément et à remettre à un centre de recyclage en vue de leur élimination dans le respect de l'environnement. S'adresser aux autorités locales ou au détaillant spécialisé en vue de connaître l'emplacement des centres de recyclage et des points de collecte.



Marque CE



Symbole national de conformité Ukraine.



Marque de qualité EurAsian

DATI TECNICI	AVVITATORE A BATTERIA				
	BS12 G3 Li-Ion 1,5 Ah	BS12 G3 Li-Ion 2,0 Ah	BS14 G3 Li-Ion 1,5 Ah	BS14 G3 Li-Ion 1,5 Ah	BS14 G3 Li-Ion 2,0 Ah
Numero di serie	4522 58 02.....	4521 87 02.....	4523 02 02.....	4569 84 02.....	4521 89 02.....
.....	000001-999999.....	000001-999999.....	000001-999999.....	000001-999999.....	000001-999999.....
Ø Foratura in acciaio	10 mm.....	10 mm.....	10 mm.....	10 mm.....	13 mm
Ø Foratura in legno	30 mm.....	30 mm.....	30 mm.....	30 mm.....	32 mm
Avvitatore nel legno (senza preforatura)	5 mm.....	5 mm.....	5 mm.....	5 mm.....	5 mm
Numero di giri a vuoto in 1. velocità	350 min ⁻¹	350 min ⁻¹	400 min ⁻¹	400 min ⁻¹	400 min ⁻¹
Numero di giri a vuoto in 2. velocità	1500 min ⁻¹	1500 min ⁻¹	1700 min ⁻¹	1700 min ⁻¹	1700 min ⁻¹
Momento torcente *1	30 Nm.....	32 Nm.....	32 Nm.....	32 Nm.....	36 Nm
Tensione batteria	12 V.....	12 V.....	14,4 V.....	14,4 V.....	14,4 V
Capacità mandrino	0,8-10 mm.....	0,8-10 mm.....	0,8-10 mm.....	2,0-13 mm.....	2,0-13 mm
Peso secondo la procedura EPTA 01/2003	1,1 kg.....	1,1 kg.....	1,2 kg.....	1,2 kg.....	1,2 kg

Informazioni sulla rumorosità e sulla vibrazione

Valori misurati conformemente alla norma EN 60 745.

La misurazione A della pressione del livello sonoro di un utensile di solito deve essere

Livello di rumorosità (Incertezza della misura K=3dB(A)) 84,5 dB (A)..... 84,5 dB (A)..... 86,5 dB (A)..... 86,5 dB (A)..... 86,5 dB (A)

Potenza della rumorosità (Incertezza della misura K=3dB(A)) 95,5 dB (A)..... 95,5 dB (A)..... 97,5 dB (A)..... 97,5 dB (A)..... 97,5 dB (A)

Utilizzare le protezioni per l'udito!

Valori totali delle oscillazioni (somma di vettori in tre direzioni)

misurati conformemente alla norma EN 60745

Valore di emissione dell'oscillazione

Perforazione in metallo a_p..... 0,5 m/s²..... 0,5 m/s²..... 1,2 m/s²..... 1,2 m/s²..... 1,2 m/s²

Incertezza della misura K=..... 1,5 m/s²..... 1,5 m/s²..... 1,5 m/s²..... 1,5 m/s²..... 1,5 m/s²

Avvitatura a..... 0,7 m/s²..... 0,7 m/s²..... 2,0 m/s²..... 2,0 m/s²..... 2,0 m/s²

Incertezza della misura K=..... 1,5 m/s²..... 1,5 m/s²..... 1,5 m/s²..... 1,5 m/s²..... 1,5 m/s²

AVVERTENZA

Il livello di vibrazioni indicato nelle presenti istruzioni è stato misurato in conformità con un procedimento di misurazione codificato nella EN 60745 e può essere utilizzato per un confronto tra attrezzi elettrici. Inoltre si può anche utilizzare per una valutazione preliminare della sollecitazione da vibrazioni.

Il livello di vibrazioni indicato rappresenta le applicazioni principali dell'attrezzo elettrico. Se viceversa si utilizza l'attrezzo elettrico per altri scopi, con accessori differenti o con una manutenzione insufficiente, il livello di vibrazioni può risultare diverso. E questo può aumentare decisamente la sollecitazione da vibrazioni lungo l'intero periodo di lavorazione.

Ai fini di una valutazione precisa della sollecitazione da vibrazioni si dovrebbero tenere presente anche i periodi in cui l'apparecchio rimane spento oppure, anche se acceso, non viene effettivamente utilizzato. Ciò può ridurre notevolmente la sollecitazione da vibrazioni lungo l'intero periodo di lavorazione.

Stabilite misure di sicurezza supplementari per la tutela dell'operatore dall'effetto delle vibrazioni, come ad esempio: manutenzione dell'attrezzo elettrico e degli accessori, riscaldamento delle mani, organizzazione dei processi di lavoro.

AVVERTENZA! Leggere tutte le istruzioni ed indicazioni di sicurezza. In caso di mancato rispetto delle avvertenze di pericolo e delle istruzioni operative si potrà creare il pericolo di scosse elettriche, incendi e/o incidenti gravi.
Conservare tutte le avvertenze di pericolo e le istruzioni operative per ogni esigenza futura.

INDICAZIONI DI SICUREZZA PER TRAPANI

Utilizzare l'utensile con la sua impugnatura supplementare. La perdita di controllo potrebbe causare danneggiamenti all'utilizzatore.

Impugnare l'apparecchio sulle superfici di tenuta isolate mentre si eseguono lavori durante i quali l'utensile da taglio potrebbe entrare in contatto con cavi di corrente. L'eventuale contatto dell'utensile da taglio con un cavo sotto tensione potrebbe mettere sotto tensione le parti metalliche dell'apparecchio e provocare una folgorazione.

INDICAZIONI DI SICUREZZA PER AVVITATORI

Quando si svolge un'operazione in cui la vite potrebbe entrare in contatto con conduttori elettrici nascoste impugnare l'apparecchio afferrandolo per le superfici isolate. La vite che entra in contatto con una conduttura in tensione può mettere sotto tensione le parti metalliche dell'apparecchio e causare scosse elettriche.

ULTERIORI AVVISI DI SICUREZZA E DI LAVORO

Usare dispositivi di protezione. Durante il lavoro con la macchina bisogna sempre portare occhiali di protezione. Si consiglia di indossare indumenti di protezione come maschera antipolvere, guanti di protezione, scarpe antiscivolo robuste, casco e cuffie di protezione acustica.

La polvere che si produce durante il lavoro è spesso dannosa per la salute e non dovrebbe essere aspirata. Portare un'adeguata mascherina protettiva.

E' vietato lavorare materiali che possono costituire pericoli alla salute (ad es. amianto).

Spegnerne immediatamente il dispositivo in caso di bloccaggio! Non riaccendere il dispositivo fino a quando l'utensile ad inserto resta bloccato; esiste il rischio di causare un contraccolpo con elevato momento di reazione. Rilevare ed eliminare la causa del bloccaggio dell'utensile ad inserto tenendo conto delle indicazioni di sicurezza.

Le possibili cause sono:

- Incastro nel pezzo in lavorazione
- Il dispositivo ha attraversato il materiale da lavorare rompendolo
- Il dispositivo elettrico è stato sovraccaricato

Non avvicinare le mani alla parte della macchina in movimento.

Durante l'uso l'utensile ad inserto può surriscaldarsi.

AVVERTENZA! Pericolo di ustioni

- durante la sostituzione dell'utensile
- durante il deposito dell'utensile

Non rimuovere trucioli o schegge mentre l'utensile è in funzione.

Forando pareti, soffitti o pavimenti, si faccia attenzione ai cavi elettrici e alle condutture dell'acqua e del gas.

Fissare in sicurezza il pezzo in lavorazione con un dispositivo di serraggio. Pezzi in lavorazione che non siano fissati in sicurezza possono causare gravi lesioni e danni.

Prima di iniziare togliere la batteria dalla macchina.

Non gettare le batterie esaurite sul fuoco o nella spazzatura di casa. La AEG offre infatti un servizio di recupero batterie usate.

Nel vano d'innesto per la batteria del caricatore non devono entrare parti metalliche (pericolo di cortocircuito).

Le batterie del System AL1214G3 sono ricaricabili esclusivamente con i caricatori del System AL1214G3. Le batterie di altri sistemi non possono essere ricaricate.

Non aprire né la batteria né il caricatore e conservarli solo in luogo asciutto. Proteggerli dalla umidità.

Nel caso di batterie danneggiate da un carico eccessivo o da temperature alte, l'acido di queste potrebbe fuoriuscire. In caso di contatto con l'acido delle batterie lavarsi immediatamente con acqua e sapone. In caso di contatto con gli occhi risciacquare immediatamente con acqua per almeno 10 minuti e contattare subito un medico.

Attenzione! Per ridurre il rischio d'incendio, di lesioni o di danni al prodotto causati da corto circuito, non immergere mai l'utensile, la batteria ricaricabile o il carica batterie in un liquido e non lasciare mai penetrare alcun liquido all'interno dei dispositivi e delle batterie. I fluidi corrosivi o conduttori come acqua salata, alcuni agenti chimici, agenti candeggianti o prodotti contenenti agenti candeggianti potrebbero provocare un corto circuito.

UTILIZZO CONFORME

Il trapano-avvitatore Accu è utilizzabile universalmente per forare e avvitare indipendentemente dal collegamento elettrico.

Utilizzare il prodotto solo per l'uso per cui è previsto.

DICHIARAZIONE DI CONFORMITÀ CE

Dichiaro sotto la nostra esclusiva responsabilità che il prodotto descritto ai „Dati tecnici“ corrisponde a tutte le disposizioni delle direttive 2011/65/EU (RoHS), 2014/30/EU, 2006/42/CE e successivi documenti normativi armonizzati:

EN 60745-1:2009 + A11:2010

EN 60745-2-1:2010

EN 60745-2-2:2010

EN 55014-1:2006 + A1:2009 + A2:2011

EN 55014-2:2015

EN 50581:2012

Winnenden, 2017-09-25



Alexander Krug
Managing Director

Autorizzato alla preparazione della documentazione tecnica

Techntron Industries GmbH
Max-Eyth-Straße 10
71364 Winnenden
Germany



BATTERIE

Batterie non utilizzate per molto tempo devono essere ricaricate prima dell'uso.

A temperature superiori ai 50°C, la potenza della batteria si riduce.

Evitare di esporre l'accumulatore a surriscaldamento prolungato, dovuto ad esempio ai raggi del sole o ad un impianto di riscaldamento.

Per una durata di vita ottimale, dopo l'uso le batterie devono essere completamente ricaricate.

caricabatterie quando saranno cariche.

In caso di immagazzinaggio della batteria per più di 30 giorni:

Immagazzinare la batteria a circa 27°C in ambiente asciutto.

Immagazzinare la batteria con carica di circa il 30% - 50%.

Ricaricare la batteria ogni 6 mesi.

DISPOSITIVO ANTISOVRACCARICO ACCUMULATORE

Il gruppo accumulatore è equipaggiato con un dispositivo antisovraccarico, che protegge l'accumulatore da qualsiasi sovraccarico e assicura un'elevata durata di vita.

In caso di sollecitazione estremamente elevata, l'elettronica dell'accumulatore spegne la macchina automaticamente. Per poter continuare a lavorare bisogna spegnere e riaccendere la macchina. Se la macchina non dovesse riavviarsi, il gruppo accumulatore potrebbe essere scarico e va ricaricato nel carica-batteria.

TRASPORTO DI BATTERIE AGLI IONI DI LITIO

Le batterie agli ioni di litio sono soggette alle disposizioni di legge sul trasporto di merce pericolosa.

Il trasporto di queste batterie deve avvenire rispettando le disposizioni e norme locali, nazionali ed internazionali.

- Gli utilizzatori possono trasportare queste batterie su strada senza alcuna restrizione.
- Il trasporto commerciale di batterie agli ioni di litio è regolato dalle disposizioni sul trasporto di merce pericolosa. Le preparazioni al trasporto ed il trasporto stesso devono essere svolti esclusivamente da persone idoneamente istruite. Tutto il processo deve essere gestito in maniera professionale.

Durante il trasporto di batterie occorre tenere conto di quanto segue:

- Assicurarsi che i contatti siano protetti ed isolati per evitare corto circuiti.
- Accertarsi che il gruppo di batterie non possa spostarsi all'interno dell'imballaggio.
- Batterie danneggiate o batterie che perdono liquido non devono essere trasportate.

Per ulteriori informazioni si prega di contattare il proprio trasportatore.

MANUTENZIONE

Usare solo accessori AEG e pezzi di ricambio AEG. Gruppi costruttivi la cui sostituzione non è stata descritta, devono essere fatti cambiare da un punto di servizio di assistenza tecnica al cliente AEG (vedi depliant garanzia/indirizzi assistenza tecnica ai clienti).

In caso di necessità è possibile richiedere un disegno esploso del dispositivo indicando il modello della macchina ed il numero a sei cifre sulla targa di potenza rivolgendosi al centro di assistenza tecnica o direttamente a Techntron Industries GmbH, Max-Eyth-Straße 10, 71364 Winnenden, Germany.

SIMBOLI



ATTENZIONE! AVVERTENZA! PERICOLO!



Prima di iniziare togliere la batteria dalla macchina.



Leggere attentamente le istruzioni per l'uso prima di mettere in funzione l'elettro utensile.



I dispositivi elettrici, le batterie e le batterie ricaricabili non devono essere smaltiti con i rifiuti domestici.

I dispositivi elettrici e le batterie devono essere raccolti separatamente e devono essere conferiti ad un centro di riciclaggio per lo smaltimento rispettoso dell'ambiente.

Chiedere alle autorità locali o al rivenditore specializzato dove si trovano i centri di riciclaggio e i punti di raccolta.



Marchio CE



Simbolo di conformità nazionale Ucraina



Marchio di conformità EurAsian

DATOS TÉCNICOS	ATORNILLADOR A BATERIA				
	BS12 G3 Li-Ion 1,5 Ah	BS12 G3 Li-Ion 2,0 Ah	BS14 G3 Li-Ion 1,5 Ah	BS14 G3 Li-Ion 1,5 Ah	BS14 G3 Li-Ion 2,0 Ah
Número de producción	4522 58 02.....000001-999999	4521 87 02.....000001-999999	4523 02 02.....000001-999999	4569 84 02.....000001-999999	4521 89 02.....000001-999999
Diámetro de taladrado en acero	10 mm.....	10 mm.....	10 mm.....	10 mm.....	13 mm
Diámetro de taladrado en madera	30 mm.....	30 mm.....	30 mm.....	30 mm.....	32 mm
Tornillos para madera (sin pretaladrar).....	5 mm.....	5 mm.....	5 mm.....	5 mm.....	5 mm
Velocidad en vacío en primera marcha	350 min ⁻¹	350 min ⁻¹	400 min ⁻¹	400 min ⁻¹	400 min ⁻¹
Velocidad en vacío 2ª velocidad	1500 min ⁻¹	1500 min ⁻¹	1700 min ⁻¹	1700 min ⁻¹	1700 min ⁻¹
Par *1.....	30 Nm.....	32 Nm.....	32 Nm.....	32 Nm.....	36 Nm
Voltaje de batería.....	12 V.....	12 V.....	14,4 V.....	14,4 V.....	14,4 V
Gama de apertura del portabrocas.....	0,8-10 mm.....	0,8-10 mm.....	0,8-10 mm.....	2,0-13 mm.....	2,0-13 mm
Peso de acuerdo con el procedimiento EPTA 01/2003	1,1 kg.....	1,1 kg.....	1,2 kg.....	1,2 kg.....	1,2 kg

Información sobre ruido y vibraciones

Determinación de los valores de medición según norma EN 60 745.

La presión acústica se eleva normalmente

Presión acústica (Tolerancia K=3dB(A))..... 84,5 dB (A)..... 84,5 dB (A)..... 86,5 dB (A)..... 86,5 dB (A)..... 86,5 dB (A)

Resonancia acústica (Tolerancia K=3dB(A))..... 95,5 dB (A)..... 95,5 dB (A)..... 97,5 dB (A)..... 97,5 dB (A)..... 97,5 dB (A)

Usar protectores auditivos!

Nivel total de vibraciones (suma vectorial de tres direcciones) determinado según EN 60745.

Valor de vibraciones generadas

Taladrado en metal a_{hD}..... 0,5 m/s²..... 0,5 m/s²..... 1,2 m/s²..... 1,2 m/s²..... 1,2 m/s²

Tolerancia K=..... 1,5 m/s²..... 1,5 m/s²..... 1,5 m/s²..... 1,5 m/s²..... 1,5 m/s²

Tornillos a..... 0,7 m/s²..... 0,7 m/s²..... 2,0 m/s²..... 2,0 m/s²..... 2,0 m/s²

Tolerancia K=..... 1,5 m/s²..... 1,5 m/s²..... 1,5 m/s²..... 1,5 m/s²..... 1,5 m/s²

ADVERTENCIA

El nivel vibratorio indicado en estas instrucciones ha sido medido conforme a un método de medición estandarizado en la norma EN 60745, y puede utilizarse para la comparación entre herramientas eléctricas. También es apropiado para una estimación provisional de la carga de vibración.

El nivel vibratorio indicado representa las aplicaciones principales de la herramienta eléctrica. Si, pese a ello, se utiliza la herramienta eléctrica para otras aplicaciones, con útiles adaptables diferentes o con un mantenimiento insuficiente, el nivel vibratorio puede diferir. Esto puede incrementar sensiblemente la carga de vibración durante todo el periodo de trabajo.

Para una estimación exacta de la carga de vibración deberían tenerse en cuenta también los tiempos durante los que el aparato está apagado o, pese a estar en funcionamiento, no está siendo realmente utilizado. Esto puede reducir sustancialmente la carga de vibración durante todo el periodo de trabajo.

Adopte medidas de seguridad adicionales para la protección del operador frente al efecto de las vibraciones, como por ejemplo: mantenimiento de la herramienta eléctrica y de los útiles adaptables, mantener las manos calientes, organización de los procesos de trabajo.

⚠ ATENCIÓN: Lea atentamente las indicaciones e intrucciones de seguridad. En caso de no atenderse a las advertencias de peligro e instrucciones siguientes, ello puede ocasionar una descarga eléctrica, un incendio y/o lesión grave.

Guardar todas las advertencias de peligro e instrucciones para futuras consultas.

⚠ INSTRUCCIONES DE SEGURIDAD PARA TALADRADORAS

¡Utilice las empuñaduras auxiliares suministradas con la herramienta! La pérdida de control de la herramienta puede causar accidentes

Sujete el aparato de las superficies aisladas de agarre al efectuar trabajos en los cuales la perforadora de percusión pueda entrar en contacto con conductores de corriente ocultos. El contacto con conductores portadores de tensión puede hacer que las partes metálicas del aparato le provoquen una descarga eléctrica.

⚠ INSTRUCCIONES DE SEGURIDAD PARA ATORNILLADORES

Sujete el aparato por las superficies de sujeción aisladas cuando realice trabajos en los que el tornillo puede alcanzar líneas de corriente eléctrica ocultas. El contacto del tornillo con una línea conductora de corriente puede poner las partes metálicas del aparato bajo tensión y provocar un choque eléctrico.

INSTRUCCIONES ADICIONALES DE SEGURIDAD Y LABORALES

Utilice el equipamiento de protección. Mientras trabaje con la máquina lleve siempre gafas protectoras. Se recomienda utilizar ropa de protección como máscara protectora contra el polvo, guantes protectores, calzado resistente y antideslizante, casco y protección para los oídos.

El polvo que se produce durante estos trabajos puede ser nocivo a la salud; es por ello es aconsejable que no penetre al cuerpo. Utilice por ello una máscara protectora contra polvo.

No se deben trabajar materiales que conlleven un riesgo para la salud (por ej. amianto).

¡En caso de que se bloquee el útil, el aparato se debe desconectar inmediatamente! No vuelva a conectar el aparato, mientras el útil está bloqueado; se podría producir un rechazo debido a la reacción de retroceso brusca. Averigüe y elimine la causa del bloqueo del útil, teniendo en cuenta las indicaciones de seguridad.

Causas posibles para ello pueden ser:

- Atascamiento o bloqueo en la pieza de trabajo
- Rotura del material con el que está trabajando
- Sobrecarga de la herramienta eléctrica

No introduzca las manos en la máquina mientras ésta se encuentra en funcionamiento.

El útil se puede calentar durante el uso.

ADVERTENCIA! Peligro de quemaduras

- en caso de cambiar la herramienta
- en caso de depositar el aparato

Nunca se debe intentar limpiar el polvo o viruta procedente del taladrado con la máquina en funcionamiento.

Para trabajar en paredes, techo o suelo, tenga cuidado para evitar los cables eléctricos y tuberías de gas o agua.

Fije la pieza de trabajo con un dispositivo de fijación. Las piezas de trabajo no fijadas pueden causar lesiones graves y deterioros.

Retire la batería antes de comenzar cualquier trabajo en la máquina.

No tire las baterías usadas a la basura ni al fuego. Los Distribuidores AEG ofrecen un servicio de recogida de baterías antiguas para proteger el medio ambiente.

No almacene la batería con objetos metálicos (riesgo de cortocircuito).

Recargar solamente los acumuladores L1215G3, L1220G3, L1415G3, L1420G3 en cargador AL1214G3. No intentar recargar acumuladores de otros sistemas.

No abra nunca las baterías ni los cargadores y guárdelos sólo en lugares secos. Protéjalos de la humedad en todo momento.

En caso de sobrecarga o alta temperatura, pueden llegar a producirse escapes de ácido provenientes de la batería. En caso de contacto con éste, limpie inmediatamente la zona con agua y jabón. Si el contacto es en los ojos, límpiese concienzudamente con agua durante 10 minutos y acuda inmediatamente a un médico

Advertencia! Para reducir el riesgo de incendio, lesión personales y daños al producto debido a un cortocircuito, no sumerja nunca la herramienta, el pa-quete de baterías o el cargador en líquido ni permita que fluya un fluido dentro de ellos. Los fluidos corrosivos o conductivos, como el agua de mar, ciertos productos quími-cos industriales y blanqueadores o lejías que contienen, etc., Pueden causar un cortocircuito.

APLICACIÓN DE ACUERDO A LA FINALIDAD

El taladro/atornillador por acumulador está diseñado para trabajos de taladrado y atornillado para uso independiente lejos de suministro eléctrico.

No utilice este producto para ninguna otra aplicación que no sea su uso normal.

DECLARACION DE CONFORMIDAD CE

Declaramos bajo nuestra responsabilidad que el producto descrito bajo „Datos técnicos“ está en conformidad con todas las normas relevantes de la directiva 2011/65/EU (RoHS), 2014/30/UE, 2006/42/CE y con las siguientes normas o documentos normalizados:

EN 60745-1:2009 + A11:2010

EN 60745-2-1:2010

EN 60745-2-2:2010

EN 55014-1:2006 + A1:2009 + A2:2011

EN 55014-2:2015

EN 50581:2012

Winnenden, 2017-09-25



Alexander Krug
Managing Director



Autorizado para la redacción de los documentos técnicos.

Techtronic Industries GmbH
Max-Eyth-Straße 10
71364 Winnenden
Germany

BATERIA

Las baterías no utilizadas durante cierto tiempo deben ser recargadas antes de usar.

Las temperaturas superiores a 50°C reducen el rendimiento de la batería. Evite una exposición excesiva a fuentes de calor o al sol (riesgo de sobrecalentamiento).

Los puntos de contacto de los cargadores y las baterías se deben mantener limpios.

Para un tiempo de vida óptimo, deberán cargarse completamente las baterías después de su uso.

Para garantizar la máxima capacidad y vida útil, las baterías recargables se deberían retirar del cargador una vez finalizada la carga.

En caso de almacenar la batería recargable más de 30 días:

Almacenar la batería recargable en un lugar seco a una temperatura de aproximadamente 27°C.

Almacenar la batería recargable con un estado de carga del 30% y 50% aproximadamente.

Recargar la batería cada 6 meses.

PROTECCIÓN CONTRA SOBRECARGA DE LA BATERÍA

El paquete del acumulador está dotado de un dispositivo de protección contra la sobrecarga que asegura una prolongada vida útil.

En caso de esfuerzo extremadamente intenso, la electrónica del acumulador desconecta automáticamente la máquina. Para continuar trabajando, desconectar y conectar de nuevo la máquina. Si la máquina no se pone nuevamente en marcha, es posible que se haya descargado el acumulador por lo que deberá recargarse en el cargador.

TRANSPORTE DE BATERÍAS DE IONES DE LITIO

Las baterías de iones de litio caen bajo las disposiciones legales relativas al transporte de mercancías peligrosas.

El transporte de estas baterías recargables debe llevarse a cabo, observando las normas y disposiciones locales, nacionales e internacionales.

- Los consumidores pueden transportar estas baterías recargables sin el menor reparo en la calle.
- El transporte comercial de baterías recargables de iones de litio por empresas de transportes está sometido a las disposiciones del transporte de mercancías peligrosas. Las preparaciones para el envío y el transporte deben ser llevados a cabo exclusivamente por personas instruidas adecuadamente. El proceso completo debe ser supervisado por personal competente.

Los siguientes puntos se deben observar para el transporte de las baterías recargables:

- Se debe asegurar que los contactos estén protegidos y aislados para evitar que se produzcan cortocircuitos.
- Preste atención a que el conjunto de baterías recargables no se pueda desplazar dentro del envase.
- Las baterías recargables deterioradas o derramadas no se deben transportar.

Rogamos que para cualquier información adicional se dirija a su empresa de transportes.

MANTENIMIENTO

Utilice solamente accesorios y repuestos AEG. En caso de necesitar reemplazar componentes no descritos, contacte con cualquiera de nuestras estaciones de servicio AEG (consultar lista de servicio técnicos)

Puede solicitar, en caso necesario, una vista despiezada del aparato bajo indicación del tipo de máquina y el número de seis dígitos en la placa indicadora de potencia en su Servicio de Postventa o directamente en Techtronic Industries GmbH, Max-Eyth-Straße 10, 71364 Winnenden, Germany.

SÍMBOLOS



¡ATENCIÓN! ¡ADVERTENCIA! ¡PELIGRO!



Retire la batería antes de comenzar cualquier trabajo en la máquina.



Lea las instrucciones detenidamente antes de conectar la herramienta



Los electrodomésticos y las baterías/ acumuladores no se deben eliminar junto con la basura doméstica. Los aparatos eléctricos y los acumuladores se deben recoger por separado y se deben entregar a una empresa de reciclaje para una eliminación respetuosa con el medio ambiente. Infórmese en las autoridades locales o en su tienda especializada sobre los centros de reciclaje y puntos de recogida.



Marca CE



Marca de conformidad nacional de Ucrania



certificado EAC de conformidad

CARACTERÍSTICAS TÉCNICAS	BERBEQUIM A BATERIA		BS12 G3	BS12 G3	BS14 G3	BS14 G3	BS14 G3
	Li-Ion 1,5 Ah	Li-Ion 2,0 Ah	Li-Ion 1,5 Ah	Li-Ion 2,0 Ah	Li-Ion 1,5 Ah	Li-Ion 1,5 Ah	Li-Ion 2,0 Ah
Número de produção.....	4522 58 02.....	4521 87 02.....	4523 02 02.....	4569 84 02.....	4521 89 02.....	000001-999999.....	000001-999999.....
Ø de furo em aço.....	10 mm.....	10 mm.....	10 mm.....	10 mm.....	13 mm.....	10 mm.....	13 mm.....
Ø de furo em madeira.....	30 mm.....	30 mm.....	30 mm.....	30 mm.....	30 mm.....	30 mm.....	32 mm.....
Parafusos para madeira (sem furo prévio).....	5 mm.....	5 mm.....	5 mm.....	5 mm.....	5 mm.....	5 mm.....	5 mm.....
Nº de rotações em vazio na 1ª velocidade.....	350 min ⁻¹	350 min ⁻¹	400 min ⁻¹	400 min ⁻¹	400 min ⁻¹	400 min ⁻¹	400 min ⁻¹
Nº de rotações em vazio na 2ª velocidade.....	1500 min ⁻¹	1500 min ⁻¹	1700 min ⁻¹	1700 min ⁻¹	1700 min ⁻¹	1700 min ⁻¹	1700 min ⁻¹
Binário com acumulador *1.....	30 Nm.....	32 Nm.....	32 Nm.....	32 Nm.....	36 Nm.....	30 Nm.....	36 Nm.....
Tensão do acumulador.....	12 V.....	12 V.....	14,4 V.....	14,4 V.....	14,4 V.....	12 V.....	14,4 V.....
Capacidade da bucha.....	0,8-10 mm.....	0,8-10 mm.....	0,8-10 mm.....	2,0-13 mm.....	2,0-13 mm.....	0,8-10 mm.....	2,0-13 mm.....
Peso nos termos do procedimento-EPTA 01/2003.....	1,1 kg.....	1,1 kg.....	1,2 kg.....	1,2 kg.....	1,2 kg.....	1,1 kg.....	1,2 kg.....

Informações sobre ruído e vibrações

Valores de medida de acordo com EN 60 745.

Normalmente o nível de pressão de ruído da ferramenta é

Nível da pressão de ruído (Incertez K=3dB(A))..... 84,5 dB (A)..... 84,5 dB (A)..... 86,5 dB (A)..... 86,5 dB (A)..... 86,5 dB (A)

Nível da potência de ruído (Incertez K=3dB(A))..... 95,5 dB (A)..... 95,5 dB (A)..... 97,5 dB (A)..... 97,5 dB (A)..... 97,5 dB (A)

Use protectores auriculares!

Valores totais de vibração (soma dos vectores das três direcções) determinadas conforme EN 60745.

Valor de emissão de vibração

Furar em metal a _d	0,5 m/s ²	0,5 m/s ²	1,2 m/s ²	1,2 m/s ²	1,2 m/s ²
Incerteza K=.....	1,5 m/s ²	1,5 m/s ²	1,5 m/s ²	1,5 m/s ²	1,5 m/s ²
Parafusos a.....	0,7 m/s ²	0,7 m/s ²	2,0 m/s ²	2,0 m/s ²	2,0 m/s ²
Incerteza K=.....	1,5 m/s ²	1,5 m/s ²	1,5 m/s ²	1,5 m/s ²	1,5 m/s ²

ATENÇÃO

O nível vibratório indicado nestas instruções foi medido em conformidade com um procedimento de medição normalizado na EN 60745 e pode ser utilizado para comparar entre si ferramentas eléctricas. O mesmo é também adequado para avaliar provisoriamente o esforço vibratório.

O nível vibratório indicado representa as principais aplicações da ferramenta eléctrica. Se, no entanto, a ferramenta eléctrica for utilizada para outras aplicações, com outras ferramentas adaptadas ou uma manutenção insuficiente, o nível vibratório poderá divergir. Isto pode aumentar consideravelmente o esforço vibratório ao longo de todo o período do trabalho.

Para uma avaliação exacta do esforço vibratório devem também ser considerados os tempos durante os quais o aparelho está desligado ou está a funcionar, mas não está efectivamente a ser utilizado. Isto pode reduzir consideravelmente o esforço vibratório ao longo de todo o período do trabalho.

Defina medidas de segurança suplementares para proteger o operador do efeito das vibrações, como por exemplo: manutenção da ferramenta eléctrica e das ferramentas adaptadas, manter as mãos quentes, organização das sequências de trabalho.

ADVERTÊNCIA! Leia todas as instruções de segurança e todas as instruções. O desrespeito das advertências e instruções apresentadas abaixo pode causar choque eléctrico, incêndio e/ou graves lesões.

Guarde bem todas as advertências e instruções para futura referência.

INSTRUÇÕES DE SEGURANÇA PARA BERBEQUINS

Sempre use os punhos adicionais fornecidos com o aparelho. A perda de controlo pode causar feridas.

Segure o aparelho nas superfícies de punho isoladas se estiver a executar trabalhos, nos quais a ferramenta de corte pode tocar em linhas eléctricas escondidas. O contacto com um cabo com tensão também pode as partes metálicas do aparelho sob tensão e leva a choque eléctrico.

INSTRUÇÕES DE SEGURANÇA PARA APARAFUSADORAS

Segure o aparelho pela superfície isoladora do punho, se executar trabalhos nos quais o parafuso possa tocar em linhas eléctricas ocultas. O contacto do parafuso com uma linha sob tensão pode também colocar peças metálicas do aparelho sob tensão e provocar um choque eléctrico.

INSTRUÇÕES DE SEGURANÇA E TRABALHO SUPLEMENTARES

Utilizar equipamento de protecção. Durante os trabalhos com a máquina, usar sempre óculos de protecção. Vestuário de protecção, bem como máscara de pó, sapatos fechados e antiderrapante, capacete e protecção auditiva são recomendados.

O pó que resulta ao trabalhar pode ser nocivo para a saúde, por isso não devendo penetrar no corpo. Use uma máscara de protecção contra pó apropriada.

Não devem ser procesados materiais que representem um perigo para a saúde (p. ex. asbesto).

Desligue o aparelho imediatamente, quando a ferramenta de inserção bloquear! Não ligue o aparelho novamente durante o bloqueio da ferramenta de inserção, pois isso pode levar a um recuo repentino com uma alta força reactiva. Verifique e elimine a causa do bloqueio da ferramenta de inserção, observando as instruções de segurança.

Causas possíveis podem ser:

- Emperramento na peça a trabalhar
- Material a processar rompido
- Sobrecarga da ferramenta eléctrica

Não toque na máquina em operação.

A ferramenta de inserção pode ficar quente durante a operação.

ATENÇÃO! Perigo de queimar-se

- na troca das ferramentas
- ao depositar o aparelho

Não remover aparas ou lascas enquanto a máquina trabalha.

Ao trabalhar em paredes, tectos e soalhos prestar atenção a que não sejam atingidos cabos eléctricos e canalizações de gás e água.

Fixe a peça a trabalhar com um dispositivo de fixação. Peças a trabalhar não fixadas podem levar a feridas graves e danos sérios.

Antes de efectuar qualquer intervenção na máquina retirar o bloco acumulador.

Não queimar acumuladores gastos nem deitá-los no lixo doméstico. A AEG possui uma eliminação de acumuladores gastos que respeita o meio ambiente.

Não guardar acumuladores junto com objectos metálicos (perigo de curto-circuito).

Use apenas carregador AL1214G3 para recarregar os acumuladores L1215G3, L1220G3, L1415G3, L1420G3. Não utilize acumuladores de outros sistemas.

Carregadores só devem ser utilizados em recintos secos.

Em caso de cargas ou temperaturas extremas, um acumulador de substituição danificado poderá verter líquido de bateria. Se entrar em contacto com este líquido, deverá lavar-se imediatamente com água e sabão. Em caso de contacto com os olhos, enxágue-os bem e de imediato durante pelo menos 10 minutos e consulte um médico o mais depressa possível.

Advertência! Para evitar o risco de incêndio, de feridas ou de danificação do produto causado por um curto-circuito, não imerja a bateria intercambiável ou o carregador em líquidos e assegure-se de que líquidos não penetrem nos aparelhos ou nas baterias. Líquidos corrosivos ou condutivos como água salgada, determinadas substâncias químicas ou produtos que contenham branqueadores podem causar um curto-circuito.

UTILIZAÇÃO AUTORIZADA

O berbequim aparafusador sem fio pode ser aplicado universalmente para furar e aparafusar sem necessidade de ligar a máquina à rede. Não use este produto de outra maneira sem ser a normal para a qual foi concebido.

DECLARAÇÃO DE CONFORMIDADE CE

Declaramos sob responsabilidade exclusiva, que o produto descrito sob „Dados técnicos“ corresponde com todas as disposições relevantes da diretiva 2011/65/EU (RoHS), 2014/30/UE, 2006/42/CE e dos seguintes documentos normativos harmonizados.

EN 60745-1:2009 + A11:2010

EN 60745-2-1:2010

EN 60745-2-2:2010

EN 55014-1:2006 + A1:2009 + A2:2011

EN 55014-2:2015

EN 50581:2012

Winnenden, 2017-09-25



Alexander Krug
Managing Director

Autorizado a reunir a documentação técnica.

Techntron Industries GmbH
Max-Eyth-Straße 10
71364 Winnenden
Germany



ACUMULADOR

Acumuladores não utilizados durante algum tempo devem ser recarregados antes da sua utilização.

Temperaturas acima de 50°C reduzem a capacidade do bloco acumulador. Evitar exposição prolongada ao sol ou a caloríferos.

Manter limpos os contactos eléctricos no carregador e no bloco acumulador.

Para uma vida útil óptima dos acumuladores, terá que carregá-los plenamente após a sua utilização.

Para assegurar uma vida útil longa, o pacote de bateria deve ser removido da carregadora depois do carregamento.

Se o pacote de bateria for armazenado por mais de 30 dias: Armazene o pacote de bateria com aprox. 27°C em um lugar seco. Armazene o pacote de bateria com aprox. 30%-50% da carga completa. Carregue o pacote de bateria novamente de 6 em 6 meses.

PROTECÇÃO DE SOBRECARGA DE BATERIA

As baterias estão equipadas com uma protecção contra sobrecarga, que as protege de uma sobrecarga e lhes conferem uma longa durabilidade. No caso de um esforço extremamente elevado a electrónica das baterias desliga automaticamente o aparelho. Para continuar a trabalhar desligar e voltar a ligar o aparelho. Se o aparelho

não se voltar a ligar, é porque o conjunto das baterias está possivelmente descarregado e tem de voltar a ser carregado na carregadora.

TRANSPORTE DE BATERIAS DE IÃO-LÍLIO

Baterias de ião-lítio estão sujeitas às disposições da legislação relativa às substâncias perigosas.

O transporte destas baterias deve ser efectuado de acordo com as disposições e os regulamentos locais, nacionais e internacionais.

- O utilizador pode efectuar o transporte rodoviário destas baterias sem restrições.
- O transporte comercial de baterias de ião-lítio por terceiros está sujeito aos regulamentos relativos às substâncias perigosas. A preparação do transporte e o transporte devem ser executados exclusivamente por pessoas instruídas e o processo deve ser acompanhado pelos especialistas correspondentes.

Observe o seguinte no transporte de baterias:

- Assegure-se de que os contactos terminais estejam protegidos e isolados para evitar um curto-circuito.
- Assegure-se de que o bloco da bateria esteja protegido contra movimentos na embalagem.
- Não transporte baterias danificadas ou que tenham fuga.

Para instruções mais detalhadas consulte a companhia de transportes

MANUTENÇÃO

Utilizar apenas acessórios AEG e peças sobresselentes AEG. Os componentes cuja substituição não esteja descrita devem ser substituídos num serviço de assistência técnica AEG (consultar a brochura relativa à garantia/moradas dos serviços de assistência técnica).

Se for necessário, um desenho de explosão do aparelho pode ser solicitado do seu posto de assistência ao cliente ou directamente da Techntron Industries GmbH, Max-Eyth-Straße 10, 71364 Winnenden, Alemanha, indicando o tipo da máquina e o número de seis posições na chapa indicadora da potência.

SYMBOLS



ATENÇÃO! PERIGO!



Antes de efectuar qualquer intervenção na máquina retirar o bloco acumulador.



Leia atentamente o manual de instruções antes de colocar a máquina em funcionamento.



Aparelhos eléctricos, baterias/acumuladores não devem ser jogados no lixo doméstico. Os aparelhos eléctricos e as baterias devem ser colectados separadamente e entregues a uma empresa de reciclagem para a eliminação correcta. Solicite informações sobre empresas de reciclagem e postos de colecta de lixo das autoridades locais ou do seu vendedor autorizado.



Marca CE



Marca de conformidade nacional da Ucrânia



Marca de conformidade EurAsian.

TECHNISCHE GEGEVENS	ACCU-BOORSCHROEFMACHINE	BS12 G3 Li-Ion 1,5 Ah	BS12 G3 Li-Ion 2,0 Ah	BS14 G3 Li-Ion 1,5 Ah	BS14 G3 Li-Ion 1,5 Ah	BS14 G3 Li-Ion 2,0 Ah
Productienummer	4522 58 02.....	4521 87 02.....	4523 02 02.....	4569 84 02.....	4521 89 02.....	000001-999999.....
Boor-Ø in staal	10 mm.....	10 mm.....	10 mm.....	10 mm.....	13 mm.....	13 mm.....
Boor-Ø in hout.....	30 mm.....	30 mm.....	30 mm.....	30 mm.....	32 mm.....	32 mm.....
Houtschroeven (zonder voorboren).....	5 mm.....	5 mm.....	5 mm.....	5 mm.....	5 mm.....	5 mm.....
Onbelast toerental in stand 1.....	350 min ⁻¹	350 min ⁻¹	400 min ⁻¹	400 min ⁻¹	400 min ⁻¹	400 min ⁻¹
Onbelast toerental in stand 2.....	1500 min ⁻¹	1500 min ⁻¹	1700 min ⁻¹	1700 min ⁻¹	1700 min ⁻¹	1700 min ⁻¹
Draaimoment met wisselakku *1.....	30 Nm.....	32 Nm.....	32 Nm.....	32 Nm.....	36 Nm.....	36 Nm.....
Spanning wisselakku.....	12 V.....	12 V.....	14,4 V.....	14,4 V.....	14,4 V.....	14,4 V.....
Spanwijdte boorhouder.....	0,8-10 mm.....	0,8-10 mm.....	0,8-10 mm.....	2,0-13 mm.....	2,0-13 mm.....	2,0-13 mm.....
Gewicht volgens de EPTA-procedure 01/2003	1,1 kg.....	1,1 kg.....	1,2 kg.....	1,2 kg.....	1,2 kg.....	1,2 kg.....

Informatie over geluid en trillingen

Meetwaarden vastgesteld volgens EN 60 745.

Het kenmerkende A-gewaardeerde geluidsdrumniveau van de machine bedraagt

Geluidsdrumniveau (Onzekerheid K=3dB(A)).....	84,5 dB (A).....	84,5 dB (A).....	86,5 dB (A).....	86,5 dB (A).....	86,5 dB (A).....	86,5 dB (A).....
Geluidsvermogensniveau (Onzekerheid K=3dB(A)).....	95,5 dB (A).....	95,5 dB (A).....	97,5 dB (A).....	97,5 dB (A).....	97,5 dB (A).....	97,5 dB (A).....

Draag oorbeschermers!

Totale trillingswaarden (vectorsom van drie richtingen) bepaald volgens EN 60745.

Trillingsemisiewaarde						
Boren in metaal a _{h,D}	0,5 m/s ²	0,5 m/s ²	1,2 m/s ²	1,2 m/s ²	1,2 m/s ²	1,2 m/s ²
Onzekerheid K=.....	1,5 m/s ²	1,5 m/s ²	1,5 m/s ²	1,5 m/s ²	1,5 m/s ²	1,5 m/s ²
Schroeven a _{h,D}	0,7 m/s ²	0,7 m/s ²	2,0 m/s ²	2,0 m/s ²	2,0 m/s ²	2,0 m/s ²
Onzekerheid K=.....	1,5 m/s ²	1,5 m/s ²	1,5 m/s ²	1,5 m/s ²	1,5 m/s ²	1,5 m/s ²

WAARSCHUWING

De in deze aanwijzingen vermelde trillingsdruk is gemeten volgens een in EN 60745 genoemde meetmethode en kan worden gebruikt voor de onderlinge vergelijking van apparaten. Hij is ook geschikt voor een voorlopige inschatting van de trillingsbelasting.

De aangegeven trillingsdruk geldt voor de meest gebruikelijke toepassingen van het elektrische apparaat. Wanneer het elektrische gereedschap echter voor andere doeleinden, met andere dan de voorgeschreven hulpstukken gebruikt of niet naar behoren onderhouden wordt, kan de trillingsdruk afwijken. Dit kan de waarde van de trillingsdruk over de hele werkperiode aanzienlijk verhogen.

Voor een nauwkeurige inschatting van de trillingsdruk moeten ook de tijden in aanmerking worden genomen dat het apparaat uitgeschakeld is of weliswaar loopt, maar niet werkelijk in gebruik is. Dit kan de waarde van de trillingsdruk over de hele werkperiode aanzienlijk verminderen.

Bepaal extra veiligheidsmaatregelen ter bescherming van de bediener tegen de inwerking van trillingen, bijvoorbeeld: onderhoud van elektrische gereedschappen en apparaten, warmhouden van de handen, organisatie van de werkprocessen.

WAARSCHUWING! Lees alle veiligheidsinstructies en aanwijzingen. Als de waarschuwingen en voorschriften niet worden opgevolgd, kan dit een elektrische schok, brand of ernstig letsel tot gevolg hebben.
Bewaar alle waarschuwingen en voorschriften voor toekomstig gebruik.

VEILIGHEIDSLINSTRUCTIES VOOR BOORMACHINES

Gebruik de bij de machine geleverde zijhandgreep. Verlies aan controle kan tot persoonlijk letsel leiden.

Houd het apparaat alléén aan de geïsoleerde grijpvlakken vast, wanneer u werkzaamheden uitvoert waarbij het snijgereedschap verborgen stroomleidingen zou kunnen raken. Het contact met een onder spanning staande leiding zet ook de metalen machinedelen onder spanning en leidt tot een elektrische schok.

VEILIGHEIDSLINSTRUCTIES VOOR SCHROEVENDRAAIERS

Houd het apparaat alléén vast aan de geïsoleerde grijpvlakken als u werkzaamheden uitvoert waarbij de schroef verborgen stroomleidingen zou kunnen raken. Het contact van de schroef met een spanningvoerende leiding kan de metalen apparaatdelen onder spanning zetten en zo tot een elektrische schok leiden.

VERDERE VEILIGHEIDS- EN WERKINSTRUCTIES

Draag veiligheidsuitrusting. Bij werkzaamheden met de machine dient u altijd een veiligheidsbril te dragen. Veiligheidskleding zoals stofmasker, veiligheidshandschoenen, stevig en slipvast schoeisel, helm en gehoorbescherming worden aanbevolen.

Het gedurende het werken vrijkomende stof is doorgaans schadelijk

voor de gezondheid en mag niet met het lichaam in aanraking komen. Draag derhalve een geschikt stofbeschermingsmasker.

Het is niet toegestaan, materialen te bewerken waarvan een gezondheidsgevaar uitgaat (bijv. asbest).

Schakel het apparaat onmiddellijk uit als het gereedschap blokkeert! Schakel het apparaat niet in zolang het gereedschap geblokkeerd is; dit zou een terugslag met een hoog reactiemoment kunnen veroorzaken. Achterhaal en verhelp de oorzaak voor de blokkering van het gereedschap met inachtneming van de veiligheidsinstructies.

Mogelijke oorzaken voor de blokkering:

- kantelen in het te bewerken werkstuk
- doorbreken van het te bewerken materiaal
- overbelasting van het elektrische gereedschap

Grijp niet in de lopende machine.

Het gereedschap kan heet worden tijdens het gebruik.

WAARSCHUWING! Gevaar voor verbranding

- bij het vervangen van het gereedschap
- bij het neerleggen van het apparaat

Spanen of splinters mogen bij draaiende machine niet worden verwijderd.

Bij het werken in wanden, plafonds of vloeren oppassen voor elektriciteitsdraden, gas- of waterleidingen.

Borg uw werkstuk met behulp van een spaninrichting. Niet geborgde werkstukken kunnen ernstig letsel en grote schade veroorzaken.

Voor alle werkzaamheden aan de machine de akku verwijderen.

Verbruikte akku's niet in het vuur of bij het huisvuil werpen. AEG biedt namelijk een milieuvriendelijke recyclingmethode voor uw oude akku's.

Wisselakku's niet bij metalen voorwerpen bewaren (kortsluitingsgevaar!) .

Wisselakku's L1215G3, L1220G3, L1415G3, L1420G3 alléén met laadapparaat AL1214G3 laden. Geen akku's van andere systemen laden.

Wisselakku's en laadapparaten niet openen en alleen in droge ruimtes opslaan. Tegen vocht beschermen.

Onder extreme belasting of extreme temperaturen kan uit de accu accu-vloeistof lopen. Na contact met accu-vloeistof direct afwassen met water en zeep. Bij oogcontact direct minstens 10 minuten grondig spoelen en onmiddellijk een arts raadplegen.

Waarschuwing! Voorkom brand, persoonlijk letsel of materiële schade door kortsluiting en dompel het gereedschap, de wisselaccu en het laadtoestel niet onder in vloeistoffen en waarborg dat geen vloeistoffen in de apparaten en accu's kunnen dringen. Corrosieve of geleidende vloeistoffen zoals zout water, bepaalde chemicaliën, bleekmiddelen of producten die bleekmiddelen bevatten, kunnen een kortsluiting veroorzaken.

VOORGESCHREVEN GEBRUIK VAN HET SYSTEEM

De akku-boorschroevendraaier is te gebruiken voor boor-en schoefwerkzaamheden, onafhankelijk van een netaansluiting.

Dit apparaat uitsluitend gebruiken voor normaal gebruik, zoals aangegeven.

EC - VERKLARING VAN OVEREENSTEMMING

Wij verklaren in uitsluitende verantwoording dat het onder 'Technische gegevens' beschreven product overeenstemt met alle relevante voorschriften van de richtlijn 2011/65/EU (RoHS), 2014/30/EU, 2006/42/EG en de volgende geharmoniseerde normatieve documenten:

EN 60745-1:2009 + A11:2010
EN 60745-2-1:2010
EN 60745-2-2:2010
EN 55014-1:2006 + A1:2009 + A2:2011
EN 55014-2:2015
EN 50581:2012

Winnenden, 2017-09-25

Alexander Krug
Managing Director



Gemachtigd voor samenstelling van de technische documenten
Techtronic Industries GmbH
Max-Eyth-Straße 10
71364 Winnenden
Germany

AKKU

Langere tijd niet toegepaste wisselakku's vóór gebruik altijd naladen.

Een temperatuur boven de 50°C vermindert de capaciteit van de accu. Langdurige verwarming door zon of hitte vermijden.

De aansluitcontacten aan het laadapparaat en de akku schoonhouden.

Voor een optimale levensduur moeten de accu's na het gebruik volledig opgeladen worden.

Voor een zo lang mogelijke levensduur van de accu's dienen deze na het opladen uit het laadtoestel te worden verwijderd.

Bij een langere opslag van de accu dan 30 dagen:
accu bij ca. 27 °C droog bewaren.
accu bij ca. 30 % - 50 % van de laadtoestand bewaren.
accu om de 6 maanden opnieuw opladen.

OVERBELASTINGSBEVEILIGING VAN DE ACCU

Het accupak is uitgerust met een overbelastingsbeveiliging die de accu tegen overbelasting beschermt en een lange levensduur garandeert.
Bij extreem sterke belasting schakelt de accuelektronica de

machine automatisch uit. Schakel de machine uit en weer in om door te kunnen werken. Wanneer de machine niet meer start, is het accupak mogelijkwerwijs ontladen en moet het in het laadtoestel worden opgeladen.

TRANSPORT VAN LITHIUM-IONEN-ACCU'S

Lithium-ionen-accu's vallen onder de wettelijke bepalingen inzake het transport van gevaarlijke goederen.

Voor het transport van deze accu's moeten de lokale, nationale en internationale voorschriften en bepalingen in acht worden genomen.

- Verbruikers mogen deze accu's zonder meer over de weg transporteren.
- Het commerciële transport van lithium-ionen-accu's door expeditiebedrijven is onderhevig aan de bepalingen inzake het transport van gevaarlijke goederen. De verzendingsvoorbereidingen en het transport mogen uitsluitend worden uitgevoerd door dienovereenkomstig opgeleide personen. Het complete proces moet vakkundig worden begeleid.

Onderstaande punten moeten bij het transport van accu's in acht worden genomen:

- Waarborg ter vermindering van kortsluitingen dat de contacten beschermd en geïsoleerd zijn.
- Let op dat het accupack in de verpakking niet kan verschuiven.
- Beschadigde of lekkende accu's mogen niet worden getransporteerd.

Neem voor meer informatie contact op met uw expeditiebedrijf.

ONDERHOUD

Gebruik uitsluitend AEG toebehoren en onderdelen. Indien componenten die moeten worden vervangen niet zijn beschreven, neem dan contact op met een officieel AEG servicecentrum (zie onze lijst met servicecentra).

Zo nodig kan een explosietekening van het apparaat worden aangevraagd bij uw klantenservice of direct bij Techtronic Industries GmbH, Max-Eyth-Straße 10, 71364 Winnenden, Duitsland onder vermelding van het machinetype en het zescijferige nummer op het typeplaatje.

SYMBOLEN



OPGELET! WAARSCHUWING! GEVAAR!



Voor alle werkzaamheden aan de machine de akku verwijderen.



Graag instructies zorgvuldig doorlezen vóórdat u de machine in gebruik neemt.



Elektrische apparaten, batterijen en accu's mogen niet via het huisafval worden afgevoerd. Elektrische apparaten en accu's moeten gescheiden worden verzameld en voor een milieuvriendelijke afvoer worden afgegeven bij een recyclingbedrijf. Informeer bij uw gemeente of bij uw vakhandelaar naar recyclingbedrijven en inzamel punten.



CE-keurmerk



Nationaal symbool van overeenstemming Oekraïne



EurAsian-symbool van overeenstemming.

TEKNISKE DATA	AKKU BORE-/SKRUEMASKINE				
	BS12 G3 Li-Ion 1,5 Ah	BS12 G3 Li-Ion 2,0 Ah	BS14 G3 Li-Ion 1,5 Ah	BS14 G3 Li-Ion 1,5 Ah	BS14 G3 Li-Ion 2,0 Ah
Produktionsnummer	4522 58 02	4521 87 02	4523 02 02	4569 84 02	4521 89 02
000001-999999000001-999999000001-999999000001-999999000001-999999
Bor-Ø i stål	10 mm	10 mm	10 mm	10 mm	13 mm
Bor-Ø i træ	30 mm	30 mm	30 mm	30 mm	32 mm
Træskruer (uden forboring)	5 mm	5 mm	5 mm	5 mm	5 mm
Omdrejningstal, ubelastet i 1. gear	350 min ⁻¹	350 min ⁻¹	400 min ⁻¹	400 min ⁻¹	400 min ⁻¹
Omdrejningstal, ubelastet i 2. gear	1500 min ⁻¹	1500 min ⁻¹	1700 min ⁻¹	1700 min ⁻¹	1700 min ⁻¹
Drejningsmoment med udskiftningsbatteri *1	30 Nm	32 Nm	32 Nm	32 Nm	36 Nm
Udskiftningsbatteriets spænding	12 V	12 V	14,4 V	14,4 V	14,4 V
Borepatrons pændevæddige	0,8-10 mm	0,8-10 mm	0,8-10 mm	2,0-13 mm	2,0-13 mm
Vægt svarende til EPTA-procedure 01/2003	1,1 kg	1,1 kg	1,2 kg	1,2 kg	1,2 kg

Støj-/vibrationsinformation

Måleværdier beregnes iht. EN 60 745.

Værktøjets A-vægtede lydtrykniveau er typisk

Lydtrykniveau (Usikkerhed K=3dB(A))	84,5 dB (A)	84,5 dB (A)	86,5 dB (A)	86,5 dB (A)	86,5 dB (A)
Lydeffekt niveau (Usikkerhed K=3dB(A))	95,5 dB (A)	95,5 dB (A)	97,5 dB (A)	97,5 dB (A)	97,5 dB (A)

Brug hørevern!

Samlede vibrationsværdier (værdisum for tre retninger)

beregnet iht. EN 60745.

Vibrationseksposering

Boring i metal a _{h,d}	0,5 m/s ²	0,5 m/s ²	1,2 m/s ²	1,2 m/s ²	1,2 m/s ²
Usikkerhed K=	1,5 m/s ²	1,5 m/s ²	1,5 m/s ²	1,5 m/s ²	1,5 m/s ²
Skruing a _h	0,7 m/s ²	0,7 m/s ²	2,0 m/s ²	2,0 m/s ²	2,0 m/s ²
Usikkerhed K=	1,5 m/s ²	1,5 m/s ²	1,5 m/s ²	1,5 m/s ²	1,5 m/s ²

ADVARSEL

Svingningsniveauet, som er angivet i disse anvisninger, er målt i henhold til standardiseret måleprocedure ifølge EN 60745 og kan anvendes til indbyrdes sammenligning mellem el-værktøjer. Svingningsniveauet er ligeledes egnet som foreløbigt skøn over svingningsbelastningen.

Det angivne svingningsniveau er baseret på el-værktøjets primære anvendelsesformål. Hvis el-værktøjet benyttes til andre formål, med andet indsatsværktøj eller ikke vedligeholdes tilstrækkeligt, kan svingningsniveauet afvige. Dette kan øge svingningsbelastningen over den samlede arbejdsperiode betydeligt.

For en nøjagtig vurdering af svingningsbelastningen skal der også tages højde for de tidsperioder, hvor apparatet er slukket, eller hvor apparatet kører, men uden at være i anvendelse. Dette kan reducere svingningsbelastningen over den samlede arbejdsperiode betydeligt.

Supplerende sikkerhedsforanstaltninger til beskyttelse af brugeren mod påvirkninger fra svingninger skal iværksættes, f.eks.: Vedligeholdelse af el-værktøj og indsatsværktøj, varmholdelse af hænder, organisering af arbejdsprocesser.

WAARSCHUWING! Lees alle veiligheidsinstructies en aanwijzingen. Als de waarschuwingen en voorschriften niet worden opgevolgd, kan dit een elektrische schok, brand of ernstig letsel tot gevolg hebben.

Bewaar alle waarschuwingen en voorschriften voor toekomstig gebruik.

VEILIGHEIDSLINSTRUCTIES VOOR BOORMACHINES

Bruk de ekstra håndtag, som følger med apparatet. Hvis kontrollen mistes, kan det medføre personskade.

Houd het apparaat alléén aan de geïsoleerde grijpvlakken vast, wanneer u werkzaamheden uitvoert waarbij het snijgereedschap verborgen stroomleidingen zou kunnen raken. Het contact met een onder spanning staande leiding zet ook de metalen machinedelen onder spanning en leidt tot een elektrische schok.

VEILIGHEIDSLINSTRUCTIES VOOR SCHROEVENDRAAIERS

Houd het apparaat alléén vast aan de geïsoleerde grijpvlakken als u werkzaamheden uitvoert waarbij de schroef verborgen stroomleidingen zou kunnen raken. Het contact van de schroef met een spanningvoerende leiding kan de metalen apparaatdelen onder spanning zetten en zo tot een elektrische schok leiden.

VERDERE VEILIGHEIDS- EN WERKINSTRUCTIES

Draag veiligheidsuitrusting. Bij werkzaamheden met de machine dient u altijd een veiligheidsbril te dragen. Veiligheidskleding zoals stofmasker, veiligheidshandschoenen, stevig en slipvast schoeisel, helm en gehoorbescherming worden aanbevolen.

Het gedurende het werken vrijkomende stof is doorgaans schadelijk voor de gezondheid en mag niet met het lichaam in aanraking komen. Draag derhalve een geschikt stofbeschermsmasker.

Het is niet toegestaan, materialen te bewerken waarvan een gezondheidsgevaar uitgaat (bijv. asbest).

Schakel het apparaat onmiddellijk uit als het gereedschap blokkeert! Schakel het apparaat niet in zolang het gereedschap geblokkeerd is; dit zou een terugslag met een hoog reactiemoment kunnen veroorzaken. Achterhaal en verhelp de oorzaak voor de blokkering van het gereedschap met inachtneming van de veiligheidsinstructies.

Mogelijke oorzaken voor de blokkering:

- kantelen in het te bewerken werkstuk
- doorbreken van het te bewerken materiaal
- overbelasting van het elektrische gereedschap

Grijp niet in de lopende machine.

Het gereedschap kan heet worden tijdens het gebruik.

WAARSCHUWING! Gevaar voor verbranding

- bij het vervangen van het gereedschap
- bij het neerleggen van het apparaat

Spanen of splinters mogen bij draaiende machine niet worden verwijderd.

Bij het werken in wanden, plafonds of vloeren oppassen voor elektriciteitsdraden, gas- of waterleidingen.

Borg uw werkstuk met behulp van een spaninrichting. Niet geborgde werkstukken kunnen ernstig letsel en grote schade veroorzaken.

Voor alle werkzaamheden aan de machine de accu verwijderen.

Verbruikte accu's niet in het vuur of bij het huisvuil werpen. AEG biedt namelijk een milieuvriendelijke recyclingmethode voor uw oude accu's.

Wisselakku's niet bij metalen voorwerpen bewaren (kortsluitingsgevaar !).

Bruk kun AL1214G3 ladeapparater for opladning afl.1215G3, L1220G3, L1415G3, L1420G3 batterier.

Wisselakku's en laadapparaten niet openen en alleen in droge ruimtes opslaan. Tegen vocht beschermen.

Under extreme belastning af extreme temperaturen kan uit de accu accu-vloeistof lopen. Na contact met accu-vloeistof direct afwassen met water en zeep. Bij oogcontact direct minstens 10 minuten grondig spoelen en onmiddellijk een arts raadplegen.

Advarsel! For at undgå risiko for brand, kvæstelser eller beskadigelse af produktet forårsaget af kortslutning må værktøjet, batteripakken eller opladeren ikke nedsænkes i vand. Sørg ligeledes for, at der ikke trænger væske ind i enhederne og batterierne. Korroderende eller ledende væsker, f.eks. saltvand, bestemte kemikalier, blegestoffer eller produkter, som indeholder blegestoffer, kan forårsage kortslutning.

TILTÆNKT FORMÅL

Akku bore-/skruemaskinen kan bruges universelt til boring og skrining uafhængigt af en nettislutning.

Produktet må ikke anvendes på anden måde og til andre formål end foreskrevet.

CE-KONFORMITETSERKLÆRING

Vi erklærer som eneansvarlig, at det under „Tekniske data“ beskrevne produkt stemmer overens med alle relevante forskrifter, der følger af direktiv 2011/65/EU (RoHS), 2014/30/EU, 2006/42/EF samt af følgende harmoniserede normative dokumenter:

EN 60745-1:2009 + A11:2010
EN 60745-2-1:2010
EN 60745-2-2:2010
EN 55014-1:2006 + A1:2009 + A2:2011
EN 55014-2:2015
EN 50581:2012

Winnenden, 2017-09-25



Alexander Krug
Managing Director



Autoriseret til at udarbejde de tekniske dokumenter.

Techtronic Industries GmbH
Max-Eyth-Straße 10
71364 Winnenden
Germany

AKKU

Langere tid niet toegepaste wisselakku's vóór gebruik altijd naladen.

Een temperatuur boven de 50 °C vermindert de capaciteit van de accu. Langdurige verwarming door zon of hitte vermijden.

De aansluitcontacten aan het laadapparaat en de accu schoonhouden.

Voor een optimale levensduur moeten de accu's na het gebruik volledig opgeladen worden.

Voor een zo lang mogelijke levensduur van de accu's dienen deze na het opladen uit het laadtoestel te worden verwijderd.

Bij een langere oplading van de accu na 30 dagen:

- accu bij ca. 27 °C droog bewaren.
- accu bij ca. 30 % - 50 % van de laadtoestand bewaren.
- accu om de 6 maanden opnieuw opladen.

OVERBELASTNINGSSIKRING FOR BATTERI

Akkupack'en er udstyret med en overbelastningssikring, som beskytter akkumulatorbatteriet mod overbelastning og sikrer en høj levetid. Ved ekstrem kraftig belastning kobler batteriets elektronik automatisk maskinen fra. Sluk og tænd maskinen igen for at genoptage driften. Går maskinen ikke i gang igen, er akkupack'en muligvis afladt og skal genoplades i ladeaggregatet.

TRANSPORT AF LITHIUM-BATTERIER

Lithium-batterier er omfattet af lovgivningen om transport af farligt gods.

Transporten af disse batterier skal ske under overholdelse af lokale, nationale og internationale regler og bestemmelser.

- Forbrugere må transportere disse batterier på veje uden yderligere krav.
- Den kommercielle transport af lithium-batterier ved speditorsfirmaer er omfattet af reglerne for transport af farligt gods. Forberedelsen af forsendelse og transport må kun udføres af tilsvarende trænedde personer. Den samlede proces skal følges af fagfolk.

Følgende punkter skal overholdes ved transport af batterier:

- Sørg for at kontakterne er beskyttet og isoleret for at forhindre kortslutninger.
- Sørg for at batteripakken ikke kan bevæge sig inden for emballagen.
- Beskadede eller lækende batterier må ikke transporteres.

Kontakt dit speditorsfirma for at få yderligere oplysninger.

VEDLIGEHOLDELSE

Bruk kun AEG-tilbehør og AEG-reservedele. Komponenter, hvor udskiftningsproceduren ikke er beskrevet, skal skiftes ud hos et AEG-servicecenter (se brochure garanti/kundeserviceadresser).

Hvis det er nødvendigt, kan der bestilles en sprængskitse af værktøjet. Angiv herved venligst maskintypen samt det seksificerede nummer på mærkepladen og bestil tegningen hos din lokale kundeserviceafdeling eller direkte hos Techtronic Industries GmbH, Max-Eyth-Straße 10, 71364 Winnenden, Tyskland.

SYMBOLEN



OPGELET! WAARSCHUWING! GEVAAR!



Voor alle werkzaamheden aan de machine de accu verwijderen.



Graag instructies zorgvuldig doorlezen vóórdat u de machine in gebruik neemt.



Elektrisk udstyr eller (genopladelige) batterier må ikke bortskaffes sammen med det almindelige husholdningsaffald. Elektrisk udstyr og genopladelige batterier skal indsamles særskilt og afleveres hos en genbrugsvirksomhed til en miljømæssig forsvarlig bortskaffelse. Spørg de lokale myndigheder eller din forhandler om genbrugsstationer og indsamlingssteder til sådant affald.



CE-keurmerk



Nationalt overensstemmelsesmærke Ukraine



EurAsian-symbol van overeenstemming.

TEKNISKE DATA	BATTERIDREIET	BORSKRUTREKKER	BS12 G3 Li-Ion 1,5 Ah	BS12 G3 Li-Ion 2,0 Ah	BS14 G3 Li-Ion 1,5 Ah	BS14 G3 Li-Ion 1,5 Ah	BS14 G3 Li-Ion 2,0 Ah
Produksjonsnummer.....	4522 58 02.....	4521 87 02.....	4523 02 02.....	4569 84 02.....	4521 89 02.....	000001-999999.....	000001-999999.....
Bor-ø i stål.....	10 mm.....	10 mm.....	10 mm.....	10 mm.....	13 mm.....		
Bor-ø i treverk.....	30 mm.....	30 mm.....	30 mm.....	30 mm.....	32 mm.....		
Treskruer (uten forboring).....	5 mm.....	5 mm.....	5 mm.....	5 mm.....	5 mm.....		
Tomgangsturtall i 1. gir.....	350 min ⁻¹	350 min ⁻¹	400 min ⁻¹	400 min ⁻¹	400 min ⁻¹		
Tomgangsturtall i 2. gir.....	1500 min ⁻¹	1500 min ⁻¹	1700 min ⁻¹	1700 min ⁻¹	1700 min ⁻¹		
Dreiemoment med vekselbatteri *1.....	30 Nm.....	32 Nm.....	32 Nm.....	32 Nm.....	36 Nm.....		
Spennning vekselbatteri.....	12 V.....	12 V.....	14,4 V.....	14,4 V.....	14,4 V.....		
Chuckspenrområde.....	0,8-10 mm.....	0,8-10 mm.....	0,8-10 mm.....	2,0-13 mm.....	2,0-13 mm.....		
Vekt i henhold til EPTA-Prosedyren 01/2003.....	1,1 kg.....	1,1 kg.....	1,2 kg.....	1,2 kg.....	1,2 kg.....		

Støy-/vibrasjonsinformasjon

Måleverdier fastslått i samsvar med EN 60 745.

Det A-bedømte lyd nivået til maskinen er:

Lydytryknivå (Usikkerhet K=3dB(A)).....	84,5 dB (A).....	84,5 dB (A).....	86,5 dB (A).....	86,5 dB (A).....	86,5 dB (A).....
Lydeffektnivå (Usikkerhet K=3dB(A)).....	95,5 dB (A).....	95,5 dB (A).....	97,5 dB (A).....	97,5 dB (A).....	97,5 dB (A).....

Bruk hørselsvern!

Totalt svingningsverdier (vektorsum fra tre retninger) beregnet jf. EN 60745

Svingningsemisjonsverdi					
Boring i metall a _h	0,5 m/s ²	0,5 m/s ²	1,2 m/s ²	1,2 m/s ²	1,2 m/s ²
Usikkerhet K=.....	1,5 m/s ²	1,5 m/s ²	1,5 m/s ²	1,5 m/s ²	1,5 m/s ²
Skruing a _h	0,7 m/s ²	0,7 m/s ²	2,0 m/s ²	2,0 m/s ²	2,0 m/s ²
Usikkerhet K=.....	1,5 m/s ²	1,5 m/s ²	1,5 m/s ²	1,5 m/s ²	1,5 m/s ²

ADVARSEL

Svingningsnivået som er angitt i denne instruksjonen er målt i overensstemmelse med målemetoden normert i direktiv EN 60745 og kan brukes til å sammenligne elektromaskiner med hverandre. Den egner seg også for en foreløbig vurdering av svingningsbelastningen.

Det angitte svingningsnivået representerer de hovedsaklige bruk av elektroverktøyet. Men anvendes elektroverktøyet for andre bruk med avvikende utskiftbare verktøy eller vedlikeholdet er utilstrekkelig, kan svingningsnivået være avvikende.

Dette kan forhøye svingningsbelastning betydelig over hele arbeidsperioden. For en nøyaktig vurdering av svingningsbelastningen må også det tas hensyn til tiden apparatet er avslått eller står på, men ikke er i bruk. Dette kan redusere svingningsbelastningen betydelig over hele arbeidsperioden.

Imfør også ekstra sikkerhetstiltak for å beskytte bruker mot utvirkingen av svingningene. Disse kan f.eks. være: vedlikehold av elektroverktøyet og det utskiftbare verktøyet, holde hendene varme, organisasjon av arbeidsforløpet.

⚠ OBS! Les alle sikkerhetsinstruksjoner og bruksanvisninger.

Feil ved overholdelsen av advarslene og nedenstående anvisninger kan medføre elektriske støt, brann og/eller alvorlige skader.

Ta godt vare på alle advarslene og informasjonene.

⚠ SIKKERHETSINSTRUKSER FOR BOREMASKINER

Bruk de med apparatet medleverte tilleggshandtak. Tap av kontrollen kan føre til skader.

Hold apparatet i de isolerte holdeflatene, når det arbeides på steder hvor elektroverktøyet kan treffe skjulte strømledninger. Kontakt med en spenningsførende ledning setter også maskinens metalldeler under spenning og fører til elektriske støt.

⚠ SIKKERHETSINSTRUKSER FOR SKRUTREKKERE

Hold apparatet i de isolerte holdeflatene, når arbeid utføres hvor skruen kan treffe skjulte strømledninger. Kontakt av skruen med en strømførende ledning kan sette apparatets metalldeler under spenning og føre til elektrisk slag.

YTTERLIGE SIKKERHETS- OG ARBEIDSSINSTRUKSJONER

Bruk vernebekledning. Ta alltid på vernebrille ved bruk av maskinen. Vernebekledning så vel som støvmaske, vernehansker, fast og sklissikkert skotøy, hjem og hørselsvern er anbefalt.

Støvet som oppstår ved arbeidet er ofte helsefarlig og skal ikke komme i kontakt med kroppen. Bruk derfor verneemaske som er egnet for støv.

Materialer som er helsefarlig skal ikke bearbeides (f.eks.. asbest) Slå av apparatet med en gang dersom det isatte verktøyet er blokkert! Ikke slå apparatet på igjen så lenge det isatte verktøyet er blokkert; her kan det oppstå et tilbakeslag med høyt

reaksjonsmoment. Finn ut hvorfor det isatte verktøyet blokkerer og fjern årsaken til dette. Ta herved hensyn til sikkerhets instruksene.

Mulige årsaker til dette kan være:

- det har forkantet seg i arbeidsområdet som bearbeides
- det har brekt igjen materialet som bearbeides
- elektroverktøyet er overbelastet

Ikke grip inn i maskinen når den står på og går.

Isatt verktøy kan i bruk bli veldig varmt.

ADVARSEL! Fare for forbrenning

- ved skifting av verktøy
- når apparatet legges ned

Spon eller fliser må ikke fjernes mens maskinen er i gang.

Pass på kabler, gass- og vannledninger når du arbeider i vegger, tak eller gulv.

Klem fast arbeidsmenet med en spenninretning. Ikke sikrede arbeidsmener kan ha alvorlige helseskader og skader av material til føle.

Ta ut vekselbatteriet før du arbeider på maskinen

Ikke kast brukte vekselbatterier i varmen eller husholdningsavfall. AEG tilbyr en miljøriktig deponering av gamle vekselbatterier; vennligst spør din fagforhandler.

Ikke oppbevar vekselbatterier sammen med metallgjenstander (kortslutningsfare).

Vekselbatterier L1215G3, L1220G3, L1415G3, L1420G3 skal kun lades med lader AL1214G3. Ikke lad opp batterier fra andre systemer.

Ikke åpne vekselbatterier og ladere, de skal oppbevares i tørre rom. Beskyttes mot fuktighet.

Under ekstreme belastninger og ekstreme temperaturer kan det lette ut batterivæske fra utskiftbare batterier. Ved berøring med

batterivæske, vask umiddelbart med såpe og vann. Ved kontakt med øynene må øynene skylles grundig i rennende vann i minst 10 minutter. Oppsøk lege umiddelbart.

Advarsel! For å unngå fare for en brann forårsaket av en kortslutning, av personskader eller skader av produktet, må det forhindres at batteripakken eller laderen dypes i væsker og også sørges for at ingen væsker kan komme inn i apparatene eller batteriene. Korroderende og ledende væsker som saltvann, visse kjemikalier og blekemidler eller produkt som inneholder blekemidler kan forårsake en kortslutning.

FORMÅLSMESSIG BRUK

Batteri-boreskrutrekkeren kan brukes universalt for boring og skruing uavhengig av nettilkopling.

Dette apparatet må kun brukes til de oppgitte formål.

CE-SAMS2VARSERKLÆRING

Vi erklærer i alene ansvar at produktet beskrevet i „Tekniske data“ overensstemmer med alle relevante forskrifter til Eu direktiv 2011/65/EU (RoHS), 2014/30/EU, 2006/42/EF og de følgende harmoniserte normative dokumentene.

EN 60745-1:2009 + A11:2010
EN 60745-2-1:2010
EN 60745-2-2:2010
EN 55014-1:2006 + A1:2009 + A2:2011
EN 55014-2:2015
EN 50581:2012

Winnenden, 2017-09-25

Alexander Krug

Alexander Krug
Managing Director



Autorisert til å utarbeide den tekniske dokumentasjonen

Techtronic Industries GmbH
Max-Eyth-Straße 10
71364 Winnenden
Germany

BATTERIER

Vekselbatterier som ikke er brukt over lengre tid skal etterlades før bruk.

En temperatur over 50°C reduserer vekselbatteriets kapasitet. Unngå oppvarming i sol eller ved varmeovner (fyring) i lengre tid.

Hold tilkoplingskontaktene på lader og vekselbatteri rene.

For en optimal levetid må batteriene etter bruk ladet helt opp.

For å sikre en lengst mulig brukstid av batteriene skal disse etter oppladning taes ut av laderen.

Ved lagring av batteriene lengre enn 30 dager:

Lagre batteriet tørt ved ca. 27°C.

Lagre batteriet ved en oppladningstilstand på ca. 30%-50%.

Lade opp batteriet igjen etter 6 måneder.

OVERBELASTNINGSVERN FOR OPPLADBARE BATTERIER

Batteripakken er utstyrt med overbelastningsvern som beskytter det oppladbare batteriet mot overbelastning og sikrer en lang levetid.

Ved ekstrem høy belastning kobler maskinens batterielektronikk seg automatisk ut. For å fortsette å arbeide må maskinen slås av og så på igjen. Starter maskinen ikke igjen er batteripakken muligens utladet og må lades opp igjen i laderen.

TRANSPORT AV LITIUUM-ION-BATTERI

Litium-ion-batterier faller under de lovfastede forskriftene om transport av farlig gods.

Transporten av disse batteriene må rette seg etter lokale, nasjonale og internasjonale forskrifter og bestemmelser.

- Forbruker har lov å transportere disse batteriene på gaten uten reglementering.

- Den kommersielle transport av Litium-ion-batterier av spedisjonsfirma faller under bestemmelsene om transport av farlig gods. Forberedningene av forsendelsen og transport skal utelukkende gjennomføres av personer som har blitt skolert til dette. Hele prosessen skal følges opp av fagfolk.

Følgende punkter skal tas hensyn til ved transport:

- Kontroller at kontaktene er beskyttet og isolert for å unngå kortslutninger.
- Pass på at batteripakken i forpakningen ikke kan skli fram og tilbake.
- Skadete eller batterier som lekker er det ikke lov å transportere.

Ta kontakt med spedisjonsfirma for ytterligere henvisninger.

VEDLIKEHOLD

Bruk kun AEG tilbehør og AEG reservedeler. Komponenter der utskifting ikke er beskrevet skal skiftes ut hos AEG kundeservice (se brosjyre garanti/kundeserviceadresser).

Ved behov kan det fås en eksplosjonstegning av apparatet hos kundeservice eller direkte hos Techtronic Industries GmbH, Max-Eyth-Straße 10, 71364 Winnenden, Germany ved angivelse av maskinens type og det sekstallige nummeret på maskinens skilt.

SYMBOLER



OBS! ADVARSEL! FARE!



Ta ut vekselbatteriet før du arbeider på maskinen



Les nøye gjennom bruksanvisningen før maskinen tas i bruk.



Elektriske apparater, batterier/oppladbare batterier skal ikke kastes sammen med vanlig husholdningsavfall. Elektriske og elektroniske apparater og oppladbare batterier skal samles separat og leveres til miljøvennlig deponering hos en avfallsbedrift. Informer deg hos myndighetene på stedet eller hos din fagforhandler hvor det finnes recycling bedrifter og oppsamlingssteder.



CE-tegn



Nasjonalt Konformitetstegn Ukraina



EurAsian Konformitetstegn.

TEKNISKA DATA BATTERIDRIVEN BORRSKRUVDRAGARE	BS12 G3	BS12 G3	BS14 G3	BS14 G3	BS14 G3
	Li-Ion 1,5 Ah	Li-Ion 2,0 Ah	Li-Ion 1,5 Ah	Li-Ion 1,5 Ah	Li-Ion 2,0 Ah
Produktionsnummer	4522 58 02.....	4521 87 02.....	4523 02 02.....	4569 84 02.....	4521 89 02.....
	000001-999999.....	000001-999999.....	000001-999999.....	000001-999999.....	000001-999999.....
Borrdiam. in stål.....	10 mm.....	10 mm.....	10 mm.....	10 mm.....	13 mm
Borrdiam. in trä.....	30 mm.....	30 mm.....	30 mm.....	30 mm.....	32 mm
Träskruvning (utan förborring).....	5 mm.....	5 mm.....	5 mm.....	5 mm.....	5 mm
Obelastat varvtal 1:a växel.....	350 min ⁻¹	350 min ⁻¹	400 min ⁻¹	400 min ⁻¹	400 min ⁻¹
Obelastat varvtal 2:a växel.....	1500 min ⁻¹	1500 min ⁻¹	1700 min ⁻¹	1700 min ⁻¹	1700 min ⁻¹
Vridmoment med batteri *1.....	30 Nm.....	32 Nm.....	32 Nm.....	32 Nm.....	36 Nm
Batterispänning.....	12 V.....	12 V.....	14,4 V.....	14,4 V.....	14,4 V
Chuckens spännområde.....	0,8-10 mm.....	0,8-10 mm.....	0,8-10 mm.....	2,0-13 mm.....	2,0-13 mm
Vikt enligt EPTA 01/2003.....	1,1 kg.....	1,1 kg.....	1,2 kg.....	1,2 kg.....	1,2 kg

Ljud-/vibrationsdata
Mätvärdena har tagits fram baserade på EN 60 745.
A-värdet av maskinens ljudtrycksnivå är
Ljudtrycksnivå (Onoggrannhet K=3dB(A))..... 84,5 dB (A)..... 84,5 dB (A)..... 86,5 dB (A)..... 86,5 dB (A)..... 86,5 dB (A)
Ljudeffektsnivå (Onoggrannhet K=3dB(A))..... 95,5 dB (A)..... 95,5 dB (A)..... 97,5 dB (A)..... 97,5 dB (A)..... 97,5 dB (A)

Använd hörselskydd!
Totala vibrationsvärden (vektorsumma ur tre riktningar) framtaget enligt EN 60745.
Vibrationsemissionsvärde
Borring i metall a_{hv}..... 0,5 m/s²..... 0,5 m/s²..... 1,2 m/s²..... 1,2 m/s²..... 1,2 m/s²
Onoggrannhet K=..... 1,5 m/s²..... 1,5 m/s²..... 1,5 m/s²..... 1,5 m/s²..... 1,5 m/s²
Skruvning a_{hv}..... 0,7 m/s²..... 0,7 m/s²..... 2,0 m/s²..... 2,0 m/s²..... 2,0 m/s²
Onoggrannhet K=..... 1,5 m/s²..... 1,5 m/s²..... 1,5 m/s²..... 1,5 m/s²..... 1,5 m/s²

WARNING
Den i de här anvisningarna angivna vibrationsnivån har uppmätts enligt ett i EN 60745 normerat mätförfarande och kan användas vid jämförelse mellan olika elverktyg. Nivån är även lämplig att använda vid en preliminär bedömning av vibrationsbelastningen.

Den angivna vibrationsnivån representerar den huvudsakliga användningen av det aktuella elverktyget. Men om elverktyget ska användas i andra användningsområden, tillsammans med avvikande insatsverktyg eller efter otillräckligt underhåll, kan vibrationsnivån skilja sig. Det kan öka vibrationsbelastningen betydligt under hela arbetstiden.

För att få en exaktare bedömning av vibrationsbelastningen ska även den tid beaktas, under vilken elverktyget är avstängt eller är påslaget, utan att det verkligen används. Det kan reducera vibrationsbelastningen betydligt under hela arbetstiden.

Lägg som skydd för användaren fast extra säkerhetsåtgärder mot vibrationens verkan, som till exempel: underhåll av elverktyg och insatsverktyg, varmhållning av händer och organisering av arbetsförlöpp.

! WARNING! Läs all säkerhetsinformation och alla anvisningar. Fel som uppstår till följd av att anvisningarna nedan inte följts kan orsaka elstöt, brand och/eller allvarliga kroppsskador.
Förvara alla varningar och anvisningar för framtida bruk.

! SÄKERHETSINSTRUKTIONER FÖR BORRMASKINER
Använd de extrahandtag som levereras tillsammans med maskinen. Förlust av kontrollen kan leda till personskador.

Håll fast apparaten med hjälp av de isolerade greppytorna när du utför arbeten där arbetsverktyget skulle kunna träffa på dolda elledningar. Om sägen kommer i kontakt med en spänningsförande ledning sågts sågens metalldelar under spänning som sedan kan leda till elektriskt slag.

! SÄKERHETSINSTRUKTIONER FÖR SKRUVARE
Håll apparaten i de isolerade greppytorna när ni utför arbeten där skruven kan träffa dolda elkablar. Skruvens kontakt med en strömförande ledning kan sätta apparatdelar av metall under spänning och leda till elektrisk stöt.

ÖVRIGA SÄKERHETS- OCH ANVÄNDNINGSSINSTRUKTIONER
Använd skyddsutrustning. Använd alltid skyddsglasögon när du använder maskinen. Som skyddsutrustning rekommenderar vi t ex en dammskyddsmask, skyddshandskar, stabila och halksäkra skor, hjälm och hörselskydd.

Det damm som bildas under arbetets gång är ofta hälsofarligt och det ska inte komma in i kroppen. Bär därför lämplig skyddsmask. Det är inte tillåtet att bearbeta material som kan vara hälsovärdigt (t.ex. asbest). Stäng av maskinen omedelbart om ett verktyg som används sitter fast! Sätt sedan inte på maskinen igen så länge som verktyget som

används fortfarande sitter fast; risk för okontrollerade slag med högt reaktionsmoment. Ta reda på orsaken varför verktyget fastnade och åtgärda orsaken med hänsyn till säkerhetsanvisningarna.

Möjliga orsaker kan vara:
• Verktyget sitter snett i arbetsstycket
• Verktyget går igenom materialet som bearbetas
• Elverktyget är överbelastat

Gå aldrig med händerna in i en maskin som är igång.

Verktyget som används kan bli mycket varmt under användningen.
WARNING! Risk för brännskador
• vid verktygsbyte
• när man lägger ifrån sig maskinen

Avlägsna aldrig spån eller flisor när maskinen är igång. Vid arbetenborring i vägg, tak eller golv, var alltid observant på befintliga el-, gas- eller vattenledningar.

Säkra arbetsstycket med en fastspänningsanordning. Arbetsstycken som inte är ordentligt fastspända kan leda till allvarlig kroppsskada eller annan skada.

Drag ur batteripaket innan arbete utföres på maskinen. Kasta inte förbrukade batterier. Lämna dem till AEG Tools för återvinning.

Förvara ej batteriet ihop med metallföremål, kortslutning kan uppstå.

L1215G3, L1220G3, L1415G3, L1420G3 batterier laddas endast i AL1214G3 laddare. Ladda inte batterier från andra system.

Batterier lagras torr och skyddas för fukt. Under extrem belastning eller extrem temperatur kan batterivätska tränga ut ur skadade utbytesbatterier. Vid beröring med

batterivätska tvätta genast av med vatten och tvål. Vid ögonkontakt spola genast i minst 10 minuter och kontakta genast läkare.

Varning! För att undvika den fara för brand, personskador eller produktskador som orsakas av en kortslutning, doppa inte ner verktyget, utbytesbatteriet eller laddaren i vätskor och se till att ingen vätska kan tränga in i apparaterna eller batterierna. Korroderande eller ledande vätskor, som saltvatten, vissa kemikalier, blekningsmedel eller produkter som innehåller blekmedel, kan orsaka en kortslutning.

ANVÄND MASKINEN ENLIGT ANVISNINGARNA


Denna Akkumaskin är användbar för både borring och skruvning. Maskinen får endast användas för angiven tillämpning.

CE-FÖRSÄKRAN


Vi intygar och ansvarar för att den produkt som beskrivs under „Tekniska data“ överensstämmer med alla relevanta bestämmelser i direktiv 2011/65/EU (RoHS), 2014/30/EU, 2006/42/EG och följande harmoniserade normerande dokument:

- EN 60745-1:2009 + A11:2010
- EN 60745-2-1:2010
- EN 60745-2-2:2010
- EN 55014-1:2006 + A1:2009 + A2:2011
- EN 55014-2:2015
- EN 50581:2012

Winnenden, 2017-09-25



Alexander Krug
Managing Director



Befullmäktigad att sammanställa teknisk dokumentation.

Techtronic Industries GmbH
Max-Eyth-Straße 10
71364 Winnenden
Germany

BATTERIER

Batteri som ej använts på länge måste laddas före nytt bruk. En temperatur över 50°C reducerar batteriets effekt. Undvik längre uppvärmning tex i solen eller nära ett element. Se till att anslutningskontaktarna i laddaren och på batteriet är rena.

För en optimal livslängd ska batterierna laddas helt igen efter användningen.

För att få en så lång livslängs som möjligt bör laddningsbara batterier avlägsnas från laddaren när de är laddade.

Om laddningsbara batterier lagras längre än 30 dagar: Lagra batteriet torrt och vid ca 27°C. Lagra batteriet vid ca 30%-50% av laddningskapaciteten. Ladda batterierna på nytt var 6:e månad.

BATTERI-ÖVERBELASTNINGSSKYDD

Batteripaketet är utrustat med ett överlastskydd som skyddar batteriet mot överbelastning och därmed säkerställer en lång livslängd.

Vid extremt stark belastning stänger batterielektroniken av maskinen automatiskt. Stäng först av och slå sedan på maskinen igen för att fortsätta att arbeta. Skulle maskinen inte starta igen, är batteripaketet kanske urladdat och måste på laddas upp igen i laddaren.

TRANSPORTERA LITIJON-BATTERIER

För litiumjon-batterier gäller de lagliga föreskrifterna för transport av farligt gods på väg.

Därför får dessa batterier endast transporteras enligt gällande lokala, nationella och internationella föreskrifter och bestämmelser.

- Konsumenter får transportera dessa batterier på allmän väg utan att behöva beakta särskilda föreskrifter.

- För kommersiell transport av litiumjon-batterier genom en speditiionsfirma gäller emellertid bestämmelserna för transport av farligt gods på väg. Endast personal som känner till alla tillämpliga föreskrifter och bestämmelser får förbereda och genomföra transporten. Hela processen ska följas upp på fackmässigt sätt.

Följande ska beaktas i samband med transporten av batterier:

- Säkerställ att alla kontakter är skyddade och isolerade för att undvika kortslutning.
- Se till att batteripacken inte kan glida fram och tillbaka i förpackningen.
- Transportera aldrig batterier som läcker, har runnit ut eller är skadade.


För mer information vänligen kontakta din speditiionsfirma.

SKÖTSEL


Använd endast AEG-tillbehör och AEG-reservdelar. Komponenter, för vilka inget byte beskrivs, skall bytas ut hos AEG-kundtjänst (se broschyren garanti-/kundtjänstadresser).

Vid behov kan du rekvidrera apparatens sprängskiss antingen hos kundservicen eller direkt hos Techtronic Industries GmbH, Max-Eyth-Straße 10, 71364 Winnenden, Germany. Du ska då ange maskintypen och numret på sex siffror som står på effektskylten.


SYMBOLER




OBSERVERA! WARNING! FARA!



Drag ur batteripaket innan arbete utföres på maskinen.




Läs instruktionen noga innan du startar maskinen.




Elektriska maskiner, batterier/uppladdningsbara batterier och får inte slängas tillsammans med de vanliga hushållssoporna.


Elektriska maskiner och uppladdningsbara batterier ka samlas separat och lämnas till en avfallsstation för miljövänlig avfallshantering. Kontakta den lokala myndigheten respektive kommunen eller fråga återförsäljare var det finns speciella avfallsstationer för elkrot.



CE-symbol



Nationell symbol för överensstämmelse Ukraine



EurAsian överensstämmelsesymbol.

TEKNİK VERİLER	AKÜ MATKAP VIDASI	BS12 G3 Li-Ion 1,5 Ah	BS12 G3 Li-Ion 2,0 Ah	BS14 G3 Li-Ion 1,5 Ah	BS14 G3 Li-Ion 1,5 Ah	BS14 G3 Li-Ion 2,0 Ah
Üretim numarası.....		4522 58 02.....	4521 87 02.....	4523 02 02.....	4569 84 02.....	4521 89 02.....
		..000001-999999.....	..000001-999999.....	..000001-999999.....	..000001-999999.....	..000001-999999.....
Delme çapı çelikle.....		10 mm.....	10 mm.....	10 mm.....	10 mm.....	13 mm.....
Delme çapı çelikle.....		30 mm.....	30 mm.....	30 mm.....	30 mm.....	32 mm.....
Ağaç vidaları (kılavuz deliksiz).....		5 mm.....	5 mm.....	5 mm.....	5 mm.....	5 mm.....
Boştaiki devir sayısı 1. Viteste.....		350 min ⁻¹	350 min ⁻¹	400 min ⁻¹	400 min ⁻¹	400 min ⁻¹
Boştaiki devir sayısı 2. Vites.....		1500 min ⁻¹	1500 min ⁻¹	1700 min ⁻¹	1700 min ⁻¹	1700 min ⁻¹
Türk Kartuş akülü *1.....		30 Nm.....	32 Nm.....	32 Nm.....	32 Nm.....	36 Nm.....
Kartuş akü gerilimi.....		12 V.....	12 V.....	14,4 V.....	14,4 V.....	14,4 V.....
Mandren kapasitesi.....		0,8-10 mm.....	0,8-10 mm.....	0,8-10 mm.....	2,0-13 mm.....	2,0-13 mm.....
Ağırlığı ise EPTA-üretici 01/2003'e göre.....		1,1 kg.....	1,1 kg.....	1,2 kg.....	1,2 kg.....	1,2 kg.....

Gürültü ve titreşim önleme hakkında bilgi
Ölçüm değerleri EN 60 745 e göre belirlenmektedir.
Aletin A değerlendirilmesi gürültü seviyesi tipik olarak şu değerdedir:
Ses basıncı seviyesi (Tolerans K=3dB(A))..... 84,5 dB (A)..... 84,5 dB (A).....86,5 dB (A).....86,5 dB (A).....86,5 dB (A)
Akustik kapasite seviyesi (Tolerans K=3dB(A))..... 95,5 dB (A)..... 95,5 dB (A)..... 97,5 dB (A)..... 97,5 dB (A)..... 97,5 dB (A)

Koruyucu kulaklık kullanın!

Toplam titreşim değeri (üç yönün vektör toplamı) EN 60745'e göre belirlenmektedir:
titreşim emisyon değeri

Metal delme a _d	0,5 m/s ²	0,5 m/s ²	1,2 m/s ²	1,2 m/s ²	1,2 m/s ²
Tolerans K=.....	1,5 m/s ²	1,5 m/s ²	1,5 m/s ²	1,5 m/s ²	1,5 m/s ²
Vida ile tutturma a _h	0,7 m/s ²	0,7 m/s ²	2,0 m/s ²	2,0 m/s ²	2,0 m/s ²
Tolerans K=.....	1,5 m/s ²	1,5 m/s ²	1,5 m/s ²	1,5 m/s ²	1,5 m/s ²

UYARI

Bu talimatlarda belirtilen titreşim seviyesi, EN 60745 standardına uygun bir ölçme metodu ile ölçülmüştür ve elektrikli el aletleri birbiriyle karşılaştırmak için kullanılabilir. Ölçüm sonuçları ayrıca titreşim yükünün geçici değerlendirmesi için de uygundur.

Belirtilen titreşim seviyesi, elektrikli el aletinin genel uygulamaları için geçerlidir. Ancak elektrikli el aleti başka uygulamalar için, farklı eklenti parçalarıyla ya da yetersiz bakım koşullarında kullanılırsa, titreşim seviyesi farklılık gösterebilir. Bu durumda, titreşim yükü toplam çalışma zaman aralığı içerisinde belirgin ölçüde yüksek olabilir.

Titreşim yükünün tam bir değerlendirilmesi için ayrıca cihazın kapalı olduğu süreler ve cihazın çalışır durumda olduğu, ancak gerçek kullanımda bulunmadığı süreler de dikkate alınmalıdır. Böylelikle, toplam çalışma zamanı aralığı boyunca meydana gelen titreşim yükü belirgin ölçüde azaltılabilir.

Kullanıcıyı titreşimlerin etkisinden korumak üzere, örneğin elektrikli el aletlerinin ve eklenti parçalarının bakımı, ellerin sıcak tutulması ve iş akışlarının organizasyonu gibi ek güvenlik tedbirleri belirleyiniz.

UYARI! Bütün güvenlik notlarını ve talimatları okuyunuz.

Açıklanan uyarılara ve talimat hükümlerine uyulmadığı takdirde elektrik çarpmalarına, yangınlara ve/veya ağır yaralanmalara neden olunabilir.

Bütün uyarıları ve talimat hükümlerini ileride kullanmak üzere saklayın.

MATKAP MAKİNELERİ İÇİN GÜVENLİK AÇIKLAMALARI

Aletle birlikte teslim edilen ek tutamakları kullanın. Aletin kontrolden çıkması kazalara neden olabilir.

Kesme aletinin eğrilmemiş elektrik kabloları isabet eden çalışmalar yapılırken cihazı izole edilmiş kollarından tutun. Elektrik akımı ileten kablolarla temas edilecek olursa metal alet elemanlarına da gerilim geçer ve bu da elektrik çarpmalarına neden olabilir.

TORNAVIDALAR İÇİN GÜVENLİK AÇIKLAMASI

Vidayı büken ve elektrik hattına maruz kalabilen çalışmalar yapılırken cihazın izole edilmiş bulunan tutacak kolundan tutun. Voltaj altında kalan vida ile temas edilmesi, metal cihaz parçalarına elektrik akımı verebilir ve bu da elektrik çarpmasına neden ol.

EK GÜVENLİK VE ÇALIŞMA TALİMATLARI

Koruma teçhizatı kullanın.Makinada çalışırken devamlı surette koruyucu gözlük takın. Koruyucu elbise ve tozlardan korunma maskesi, emniyet eldivenleri ve sağlam ve kaymaya mukavim ayakkabı giyin. Başlık ve kulaklık tavsiye edilir.

Çalışma sırasında ortaya çıkan toz genellikle sağlığı zararlıdır ve bedeninize temas etmemelidir. Uygun bir koruyucu toz maskesi kullanın

Sağlık tehlikelerine neden olan malzemelerin işlenmesi yasaktır (örn. asbest).

Uca yerleştirilen takımın bloke olması halinde lütfen cihazı hemen kapatın! Uca yerleştirilen takım bloke olduğu sürece cihazı tekrar çalıştırmayın; bu sırada yüksek reaksiyon momentine sahip bir geri tepme meydana gelebilir. Uca yerleştirilen takımın neden bloke olduğuna bakın ve bu durumu güvenli uyarılarına dikkat ederek gidirin.

Olası nedenler şunlar olabilir:

- İşlenen parça içinde takılma
- İşlenen malzemenin delinmesi
- Elektrikli alete aşırı yük binmesi

Ellerinizi çalışmakta olan makinenin içine uzatmayın.

Uca yerleştirilen takım kullanırken ısınabilir.

UYARI! Yanma tehlikesi

- takım değiştirme sırasında
- aletin yere bırakılması sırasında

Alet çalışır durumda iken talaş ve kırıntıları temizlemeye çalışmayın.

Duvar, tavan ve zeminde delik açarken elektrik kablolarına, gaz ve su borularına dikkat edin.

İşlenen parçayı bir germe tertibatıyla emniyete alın. Emniyete alınmayan iş parçaları ağır yaralanmalar ve hasarlara neden olabilir.

Aletin kendinde bir çalışma yapmadan önce kartuş aküyü çıkarın.

Kullanılmış kartuş aküleri ateşe veya ev çöplerine atmayın. AEG, kartuş akülerin çevreye zarar vermeyecek biçimde tasfiye edilmesine olanak sağlayın hizmet sunar; lütfen bu konuda yetkili satıcınızdan bilgi alın.

Kartuş aküleri metal parça veya eşyalarla birlikte saklamayın (kısa devre tehlikesi).

L1215G3, L1220G3, L1415G3, L1420G3 sistemli kartuş aküleri sadece AL1214G3 sistemli şarj cihazları ile şarj edin. Başka sistemli aküleri şarj etmeyin.

Kartuş aküleri ve şarj cihazını açmayın ve sadece kuru yerlerde saklayın. Neme ve ıslanmaya karşı koruyun.

Aşırı zorlanma veya aşırı ısınma sonucu hasar gören kartuş akülerden batarya sıvısı dışarı akabilir. Batarya sıvısı ile temasa gelen yeri hemen bol su ve sabunla yıkayın. Batarya sıvısı gözünüze kaçacak olursa en azından 10 dakika yıkayın ve zaman geçirmeden bir hekime başvurun.

Uyarı! Bir kısa devreden kaynaklanan yangın, yaralanma veya ürün hasarları tehlikesini önlemek için aleti, güç paketini veya şarj cihazını asla sıvıların içine daldırmayınız ve cihazların ve pillerin içine sıvı girmesini önleyiniz. Tuzlu su, belirli kimyasallar, ağartıcı madde veya ağartıcı madde içeren ürünler gibi korozif veya iletken sıvılar kısa devreye neden olabilir.

KULLANIM

Bu akülü delme/vidalama makinesi, şebeke akımına bağlı kalınmadan delme ve vidalama işlerinde çok yönlü olarak kullanılabilir.

Bu alet sadece belirttiği gibi ve usulüne uygun olarak kullanılabilir.

CE UYGUNLUK BEYANI

Tek sorumlu olarak „Teknik Veriler“ bölümünde tarif edilen ürünün 2011/65/EU (RoHS), 2014/30/EU, 2006/42/EC sayılı direktifin ve aşağıdaki harmonize temel belgelerin bütün önemli hükümlerine uygun olduğunu beyan etmekteyiz:

EN 60745-1:2009 + A11:2010

EN 60745-2-1:2010

EN 60745-2-2:2010

EN 55014-1:2006 + A1:2009 + A2:2011

EN 55014-2:2015

EN 50581:2012

Winnenden, 2017-09-25

Alexander Krug

Alexander Krug
Managing Director

CE

Teknik evrakları hazırlamakla görevlendirilmiştir.

Techtronic Industries GmbH
Max-Eyth-Straße 10
71364 Winnenden
Germany

AKÜ

Uzun süre kullanım dışı kalmış kartuş aküleri kullanmadan önce şarj edin.

50°C üzerindeki sıcaklıklar kartuş akünün performansını düşürür. Akünün güneş ışığı veya mekân sıcaklığı altında uzun süre ısınmasına dikkat edin.

Şarj cihazı ve kartuş aküdeki bağlantı kontaklarını temiz tutun.

Akünün ömrünün mükemmel bir şekilde uzun olması için kullandıktan sonra tamamen doldurulması gerekir.

Ömrünün mümkün olduğu kadar uzun olması için akülerin yüklemeye yapıldıktan sonra doldurma cihazından uzaklaştırılması gerekir.

Akünün 30 gündendaha fazla depolanması halinde:

Aküyü takriben 27°C'de kuru olarak depolayın.

Aküyü yüklemeye durumunun takriben % 30 - %50 olarak depolayın.

Aküyü her 6 ay yeniden doldurun.

AKÜNÜN AŞIRI YÜKLENMEYE KARŞI KORUNMASI

Akü donanımı, aküyü fazla yüklenmeye karşı koruyan ve uzun ömürlü olmasını garanti eden fazla yüklenmeye karşı bir koruma tertibatı ile teçhiz edilmiştir.
Aşırı fazla bir şekilde kullanılması durumunda akünün elektronik tertibatı makineyi otomatik olarak kapatır. Makinenin tekrar

çalıştırılması amacı ile tekrar kapatın ve yeniden çalıştırın. Makine tekrar çalışmazsa, akü donanımı muhtemelen boşalmıştır ve o zaman yeniden şarj edilerek tekrar doldurulması gerekir.

LİTYUM İYON PİLLERİN TAŞINMASI

Lityum iyon piller tehlikeli madde taşımacılığı hakkındaki yasal hükümler tabidir.

Bu piller, bölgesel, ulusal ve uluslararası yönetmeliklere ve hükümlere uyularak taşınmak zorundadır.

- Tüketiciler bu pilleri herhangi bir özel şart aranmaksızın karayoluyla taşıyabilirler.
- Lityum iyon pillerin nakliye şirketleri tarafından ticari taşımacılığı için tehlikeli madde taşımacılığının hükümleri geçerlidir. Sevk hazırlığı ve taşıma sadece ilgili eğitimi görmüş personel tarafından gerçekleştirilebilir. Bütün süreç uzmanca bir refakatçilik altında gerçekleştirilmelidir.

Pillerin taşınması sırasında aşağıdaki hususlara dikkat edilmesi gerekmektedir:

- Kısa devre oluşmasını önlemek için kontakların korunmuş ve izole edilmiş olmasını sağlayınız.
- Pil paketinin ambalajı içinde kaymamasına dikkat ediniz.
- Hasarlı veya akmış pillerin taşınması yasaktır.

Ayrıca bilgiler için nakliye şirketinize başvurunuz.

BAKIM

Sadece Milwaukee aksesuarı ve yedek parçası kullanın. Nasıl değiştirileceği açıklanmamış olan yapı parçalarını bir Milwaukee müşteri servisinde değiştirin (Garanti ve servis adresi broşürüne dikkat edin).

Gerektiğinde cihazın ayrıntılı çizimini, güç levhası üzerindeki makine modelini ve altı haneli rakamı belirterek müşteri servisinden veya doğrudan Techtronic Industries GmbH, Max-Eyth-Straße 10, 71364 Winnenden, Germany adresinden isteyebilirsiniz.

SEMBOLLER



DİKKAT! UYARI! TEHLİKE!



Aletin kendinde bir çalışma yapmadan önce kartuş aküyü çıkarın.



Lütfen aleti çalıştırmadan önce kullanma kılavuzunu dikkatli biçimde okuyun.



Elektrikli cihazların, pillerin/akülerin evsel atıklarla birlikte bertaraf edilmesi yasaktır. Elektrikli cihazlar ve aküler ayrılarak biriktirilmeli ve çevreye zarar vermeden bertaraf edilmeleri için bir atık değerlendirme tesisine götürülmelidir. Yerel makamlara veya satıcınıza geri dönüşüm tesisleri ve atık toplama merkezlerinin yerlerini danışınız.

CE

CE işareti



Ulusal uygunluk işareti Ukrayna

TR 066
EAC

EurAsian Uyumluluk işareti

TECHNICKÁ DATA	AKU VRTACÍ ŠROUBOVÁKY	BS12 G3 Li-Ion 1,5 Ah	BS12 G3 Li-Ion 2,0 Ah	BS14 G3 Li-Ion 1,5 Ah	BS14 G3 Li-Ion 1,5 Ah	BS14 G3 Li-Ion 2,0 Ah
Výrobní číslo	4522 58 02.....	4521 87 02.....	4523 02 02.....	4569 84 02.....	4521 89 02.....
	000001-999999000001-999999000001-999999000001-999999000001-999999
Vrtací ø v oceli	10 mm.....	10 mm.....	10 mm.....	10 mm.....	13 mm
Vrtací ø v dřevě	30 mm.....	30 mm.....	30 mm.....	30 mm.....	32 mm
Vruty do dřeva (bez předvrtání)	5 mm.....	5 mm.....	5 mm.....	5 mm.....	5 mm
Počet otáček při běhu naprázdno na 1.st.rychlosti	350 min ⁻¹	350 min ⁻¹	400 min ⁻¹	400 min ⁻¹	400 min ⁻¹
Počet otáček při běhu naprázdno na 2.st.rychlosti	1500 min ⁻¹	1500 min ⁻¹	1700 min ⁻¹	1700 min ⁻¹	1700 min ⁻¹
Kroučící moment s výměnným akumulátorem *1	30 Nm.....	32 Nm.....	32 Nm.....	32 Nm.....	36 Nm
Napětí výměnného akumulátoru	12 V.....	12 V.....	14,4 V.....	14,4 V.....	14,4 V
Rozsah upnutí skličidla	0,8-10 mm.....	0,8-10 mm.....	0,8-10 mm.....	2,0-13 mm.....	2,0-13 mm
Hmotnost podle prováděcího předpisu EPTA 01/2003	1,1 kg.....	1,1 kg.....	1,2 kg.....	1,2 kg.....	1,2 kg

Informace o hluku / vibracích

Naměřené hodnoty odpovídají EN 60745.

Typická vážená

Hladina akustického tlaku (Kolísavost K=3dB(A))..... 84,5 dB (A)..... 84,5 dB (A)..... 86,5 dB (A)..... 86,5 dB (A)..... 86,5 dB (A)

Hladina akustického výkonu (Kolísavost K=3dB(A))..... 95,5 dB (A)..... 95,5 dB (A)..... 97,5 dB (A)..... 97,5 dB (A)..... 97,5 dB (A)

Používejte chrániče sluchu!

Celkové hodnoty vibrací (vektorový součet tří směrů) zjištěné ve smyslu EN 60745.

Hodnota vibračních emisí

Vrtání kovů a_{h,d}..... 0,5 m/s²..... 0,5 m/s²..... 1,2 m/s²..... 1,2 m/s²..... 1,2 m/s²

Kolísavost K..... 1,5 m/s²..... 1,5 m/s²..... 1,5 m/s²..... 1,5 m/s²..... 1,5 m/s²

Šroubování a_h..... 0,7 m/s²..... 0,7 m/s²..... 2,0 m/s²..... 2,0 m/s²..... 2,0 m/s²

Kolísavost K⁼..... 1,5 m/s²..... 1,5 m/s²..... 1,5 m/s²..... 1,5 m/s²..... 1,5 m/s²

VAROVÁNÍ

Úroveň chvění uvedená v tomto návodu byla naměřena podle metody měření stanovené normou EN 60745 a může být použita pro porovnaní elektrického nářadí. Hodí se také pro průběžný odhad zatížení chvěním.

Uvedená úroveň chvění představuje hlavní účely použití elektrického nářadí. Jestliže se ale elektrické nářadí používá pro jiné účely, s odlišnými nástroji nebo s nedostatečnou údržbou, může se úroveň chvění odlišovat. To může značně zvýšit zatížení chvěním během celé pracovní doby.

Pro přesný odhad zatížení chvěním se musí také zohlednit časy, během kterých je přístroj vypnutý nebo kdy je sice v chodu, ale skutečně se s ním nepracuje. To může zatížení chvěním během celé pracovní doby značně snížit.

Stanovte doplňková bezpečnostní opatření pro ochranu obsluhy před účinky chvění jako například: technická údržba elektrického nářadí a nástrojů, udržování teploty rukou, organizace pracovních procesů.

⚠ UPOZORNĚNÍ! Přečtete si všechny bezpečnostní pokyny a návody. Zanedbání při dodržování varovných upozornění a pokynů mohou mít za následek úder elektrickým proudem, požár a/nebo těžká poranění.

Všechna varovná upozornění a pokyny do budoucna uschovejte.

⚠ BEZPEČNOSTNÍ POKYNY PRO PRÁCI S VRTAČKOU

Používejte doplňková madla dodávána s přístrojem.

Nedostatečným držením by mohlo dojít ke zranění.

Při provádění prací, při kterých nástroj může narazit na skrytá elektrická vedení, držte přístroj za izolované předřzovací plošky. Kontakt s vedením pod napětím přivádí napětí i na kovové díly stroje a vede k elektrickému úderu.

⚠ BEZPEČNOSTNÍ POKYNY PRO PRÁCI SE ŠROUBOVÁKEM

U některých nástrojů může být skrytá elektrická vedení.

Kontakt šroubu s vedením pod napětím může přivést napětí na kovové části přístroje a způsobit elektrický ráz.

DALŠÍ BEZPEČNOSTNÍ A PRACOVNÍ POKYNY

Použijte ochranné vybavení. Při práci s elektrickým nářadím používejte vždy ochranné brýle. Doporučujeme rovněž použití součástí ochranného oděvu a ochranné obuvi, jako protiprašné masky, ochranných rukavic, pevné a neklouzající obuvi, ochranné přilby a ochrany sluchu.

Prach vznikající při práci s tímto nářadím může být zdraví škodlivý. Proto by neměl přijít do styku s tělem. Používejte při práci vhodnou ochranou masku.

Nesmějí se opravovávat materiály, které mohou způsobit ohrožení zdraví (např. azbest)

Při zablkování nasazeného nástroje přístroj okamžitě vypněte! Přístroj nezapínajte, pokud je nasazený nástroj zablkovaný; mohl by při tom vzniknout zpětný náraz s vysokým reakčním momentem. Zjistěte příčinu zablkování nasazeného nástroje a odstraněte ji při dodržení bezpečnostních pokynů.

Možnými příčinami mohou být:

- vzpříčení v opracovávaném obrobku
- přelomení opracovávaného materiálu
- přetížení elektrického přístroje

Nezasahujte do běžícího stroje.

Nasazený nástroj se může během používání rozpálit.

VAROVÁNÍ! Nebezpečí popálení.

- při výměně nástroje
- při odkládání přístroje

Pokud stroj běží, nesmí být odstraňovány třísky nebo odštěpky.

Při vrtání do zdi, stropu nebo podlahy dávat pozor na elektrické kabely, plynová a vodovodní potrubí.

Obrobek zabezpečte upínacím zařízením. Nezabezpečené obrobky mohou způsobit těžká poranění a poškození.

Před zahájením veškerých prací na vrtacím šroubováku vyjmout výměnný akumulátor.

Použité nevyhazujte do domovního odpadu nebo do ohně. AEG nabízí ekologickou likvidaci starých článků, ptejte se u vašeho obchodníka s nářadím.

Náhradní akumulátor neskladujte s kovovými předměty, nebezpečí zkratů.

Akumulátor L1215G3, L1220G3, L1415G3, L1420G3 nabíjejte pouze nabíječkou AL1214G3. Nenabíjejte akumulátory jiných systémů.

Náhradní akumulátory ani nabíječku neotvírejte, skladujte je v suchu, chráňte před vlhkem.

Při extrémní zátěži či vysoké teplotě může z akumulátoru vytékat kapalina. Při zasažení touto kapalinou okamžitě zasažená místa omyjte vodou a mýdlem. Při zasažení očí okamžitě důkladně po dobu alespoň 10min.omývat a neodkladně vyhledat lékaře.

Varování! Abyste zabránili nebezpečí požáru způsobeného zkratem, poraněním nebo poškozením výrobku, neponožujte nářadí, výměnnou baterii nebo nabíječku do kapalín a zajistěte, aby do zařízení a akumulátorů nevnikly žádné tekutiny. Korodující nebo vodivé kapaliny, jako je slaná voda, určité chemikálie a bělicí prostředky nebo výrobky, které obsahují bělidlo, mohou způsobit zkrat.

OBLAST VYUŽITÍ

Akumulátorový vrtací šroubovák je univerzálně použitelný pro vrtání a šroubování nezávisle na elektrické síti.

Toto zařízení lze používat jen pro uvedený účel.

CE-PROHLÁŠENÍ O SHODĚ

Výhradně na vlastní zodpovědnost prohlašujeme, že se výrobek popsany v „Technických údajích“ shoduje se všemi relevantními předpisy směrnice 2011/65/EU (RoHS), 2014/30/EU, 2006/42/ES a s následujícími harmonizovanými normativními dokumenty:

EN 60745-1:2009 + A11:2010

EN 60745-2-1:2010

EN 60745-2-2:2010

EN 55014-1:2006 + A1:2009 + A2:2011

EN 55014-2:2015

EN 50581:2012

Winnenden, 2017-09-25

Alexander Krug
Managing Director

Zplnomocněn k sestavování technických podkladů.

Techtronic Industries GmbH
Max-Eyth-Straße 10
71364 Winnenden
Germany

AKUMULÁTORY

Děle nepoužívané akumulátory je nutné před použitím znovu nabít.

Teplota přes 50°C snižuje výkon akumulátoru. Chraňte před dlouhým přehříváním na slunci či u topení.

Kontakty nabíječky a akumulátoru udržujte v čistotě.

Optimální životnost akumulátorů se zajistí, když se po použití vždy plně nabijí.

K zabezpečení dlouhé životnosti by se akumulátory měly po nabití vyjmout z nabíječky.

Při skladování akumulátoru po dobu delší než 30 dní:

Skladujte akumulátor v suchu při cca 27°C.

Skladujte akumulátor při cca 30%-50% nabíjecí kapacity.

Opakujte nabíjení akumulátoru každých 6 měsíců.

OCHRANA PROTÍ PŘETÍŽENÍ AKUMULÁTORU

Akumulátorová sada je vybavena ochranou proti přetížení, která ji chrání a zaručuje její dlouhou životnost.

Při extrémním zatížení elektronika akumulátoru elektrický nástroj vypne. K pokračování v práci nástroj vypnete a opět zapnete. V případě, že se motor nástroje ani potom nerozběhne, je akumulátorová sada pravděpodobně vybitá a musí se v nabíječce opět nabít.

PŘEPRAVA LITHIUM-IONTOVÝCH BATERIÍ

Lithium-iontové baterie spadají podle zákonných ustanovení pod přepravu nebezpečného nákladu.

Přeprava těchto baterií se musí realizovat s dodržováním lokálních, vnitrostátních a mezinárodních předpisů a ustanovení.

• Spotřebitelé mohou tyto baterie bez problémů přepravovat po komunikacích.

• Komerční přeprava lithium-iontových baterií prostřednictvím přepravních firem podléhá ustanovením o přepravě nebezpečného nákladu. Přípravu k vyexpedování a samotnou přepravu smějí vykonávat jen příslušně vyškolené osoby. Na celý proces se musí odborně dohlížet.

Při přepravě baterií je třeba dodržovat následující:

- Zajistěte, aby kontakty byly chráněné a izolované, aby se zamezilo zkratům.
- Dávejte pozor na to, aby se svazek baterií v rámci balení nemohl sesmeknout.
- Poškozené a vyteklé baterie se nesmějí přepravovat.

Ohledně dalších informací se obraťte na vaši přepravní firmu.

ÚDRŽBA

Používat výhradně příslušenství AEG a náhradní díly AEG. Díly jejichž výměny nebyla popsána, nechte vyměnit v autorizovaném servisu (viz „Záruky / Seznam servisních míst“)

V případě potřeby si můžete v servisním centru pro zákazníky nebo přímo od firmy Techtronic Industries GmbH, Max-Eyth-Straße 10, 71364 Winnenden, Německo vyžádat schematický nářkes jednotlivých dílů přístroje, když uvedete typ přístroje a šestimístné číslo na výkonovém štítku.

SYMBOLY



POZOR! VAROVÁNÍ! NEBEZPEČÍ!



Před zahájením veškerých prací na vrtacím šroubováku vyjmout výměnný akumulátor.



Před spuštěním stroje si pečlivě přečtěte návod k používání.



Elektrická zařízení, baterie/akumulátory se nesmí likvidovat společně s odpadem z domácnosti. Elektrická zařízení, baterie/akumulátory je třeba sbírat odděleně a odevzdat je v recyklačním podniku na ekologickou likvidaci. Na místních úřadech nebo u vašeho specializovaného prodejce se informujte na recyklační podniky a sběrné dvory.



Značka CE



Národní znak shody Ukrajiny



Euroasijská značka shody

DANE TECHNICZNE	WIERTARKA/WKRĘTARKA AKUMULATOROWA	BS12 G3 Li-Ion 1,5 Ah	BS12 G3 Li-Ion 2,0 Ah	BS14 G3 Li-Ion 1,5 Ah	BS14 G3 Li-Ion 1,5 Ah	BS14 G3 Li-Ion 2,0 Ah
Numer produkcyjny.....		4522 58 02.....	4521 87 02.....	4523 02 02.....	4569 84 02.....	4521 89 02.....
	000001-999999000001-999999000001-999999000001-999999000001-999999
Zdolność wiercenia w stali.....		10 mm.....	10 mm.....	10 mm.....	10 mm.....	13 mm
Zdolność wiercenia w drewnie.....		30 mm.....	30 mm.....	30 mm.....	30 mm.....	32 mm
Wkręty do drewna (bez nawiercania wstępnego).....		5 mm.....	5 mm.....	5 mm.....	5 mm.....	5 mm
Prędkość bez obciążenia na pierwszym biegu.....		350 min ⁻¹	350 min ⁻¹	400 min ⁻¹	400 min ⁻¹	400 min ⁻¹
Prędkość bez obciążenia drugi bieg.....		1500 min ⁻¹	1500 min ⁻¹	1700 min ⁻¹	1700 min ⁻¹	1700 min ⁻¹
Moment obrotowy z akumulatorem *1.....		30 Nm.....	32 Nm.....	32 Nm.....	32 Nm.....	36 Nm
Napięcie baterii akumulatorowej.....		12 V.....	12 V.....	14,4 V.....	14,4 V.....	14,4 V
Zakres otwarcia uchwytu wiertarskiego.....		0,8-10 mm.....	0,8-10 mm.....	0,8-10 mm.....	2,0-13 mm.....	2,0-13 mm
Ciężar wg procedury EPTA 01/2003.....		1,1 kg.....	1,1 kg.....	1,2 kg.....	1,2 kg.....	1,2 kg

Informacja dotycząca szumów / wibracji

Zmierzone wartości wyznaczono zgodnie z normą EN 60 745.

Typowy poziom ciśnienia akustycznego mierzony wg krzywej A:

Poziom ciśnienia akustycznego (Niepewność K=3dB(A))..... 84,5 dB (A)..... 84,5 dB (A)..... 86,5 dB (A)..... 86,5 dB (A)..... 86,5 dB (A)

Poziom mocy akustycznej (Niepewność K=3dB(A))..... 95,5 dB (A)..... 95,5 dB (A)..... 97,5 dB (A)..... 97,5 dB (A)..... 97,5 dB (A)

Należy używać ochroniaczy uszu!

Wartości łączne drgań (suma wektorowa trzech kierunków)

wyznaczone zgodnie z normą EN 60745

Wartość emisji drgań

Wiercenie w metalu a_d..... 0,5 m/s²..... 0,5 m/s²..... 1,2 m/s²..... 1,2 m/s²..... 1,2 m/s²

Niepewność K[±]..... 1,5 m/s²..... 1,5 m/s²..... 1,5 m/s²..... 1,5 m/s²..... 1,5 m/s²

Przykręcanie a_r..... 0,7 m/s²..... 0,7 m/s²..... 2,0 m/s²..... 2,0 m/s²..... 2,0 m/s²

Niepewność K[±]..... 1,5 m/s²..... 1,5 m/s²..... 1,5 m/s²..... 1,5 m/s²..... 1,5 m/s²

OSTRZEŻENIE

Podany w niniejszych instrukcjach poziom drgań został zmierzony za pomocą metody pomiarowej zgodnej z normą EN 60745 i może być użyty do porównania ze sobą elektronarzędzi. Nadaje się on również do tymczasowej oceny obciążenia wibracyjnego.

Podany poziom drgań reprezentuje główne zastosowania elektronarzędzia. Jeśli jednakże elektronarzędzie użyte zostanie do innych celów z innymi narzędziami roboczymi lub nie jest dostatecznie konserwowane, wtedy poziom drgań może wykazywać odchylenia. Może to wyrażnie zwiększyć obciążenie wibracjami przez cały okres pracy.

Dla dokładnego określenia obciążenia wibracjami należy uwzględnić również czasy, w których urządzenie jest wyłączone względnie jest włączone, lecz w rzeczywistości nie pracuje. Może to spowodować wyraźną redukcję obciążenia wibracyjnego w całym okresie pracy.

Należy wprowadzić dodatkowe środki zapobiegawcze celem ochrony obsługującego przed oddziaływaniem drgań, jak na przykład: konserwacja narzędzi roboczych i elektronarzędzi, nagrzanie rąk, organizacja przebiegu pracy.

▲ OSTRZEŻENIE! Należy przeczytać wszystkie wskazówki dotyczące bezpieczeństwa i instrukcje. Błędy w przestrzeganiu poniższych wskazówek mogą spowodować porażenie prądem, pożar i/lub ciężkie obrażenia ciała. **Należy starannie przechowywać wszystkie przepisy i wskazówki bezpieczeństwa dla dalszego zastosowania.**

▲ WSKAZÓWKI BEZPIECZEŃSTWA DLA WIERTAREK

Stosować uchwyty pomocnicze dostarczone z narzędziem. Utrata kontroli może spowodować obrażenia.

Trzymaj urządzenie za izolowane powierzchnie chwytne gdy wykonujesz roboty, w trakcie których narzędzie skrawające może natrafić na ukryte przewody prądowe. Kontakt z przewodami pod napięciem wprowadza również metalowe części urządzenia pod napięcie i prowadzi do porażenia prądem.

▲ WSKAZÓWKI BEZPIECZEŃSTWA DLA WKRĘTAREK

Trzymaj urządzenie za izolowane powierzchnie chwytne, gdy wykonujesz roboty, w trakcie których śruba może natrafić na ukryte przewody prądowe. Kontakt śruby z przewodem pod napięciem może spowodować podłączenie części metalowych urządzenia do napięcia i prowadzić do porażenia prądem elektrycznym.

DODATKOWE WSKAZÓWKI BEZPIECZEŃSTWA I INSTRUKCJE ROBOCZE

Stosować wyposażenie ochronne. Przy pracy maszyną zawsze nosić okulary ochronne. Zalecana jest odzież ochronna, jak maska pyłochronna, rękawice ochronne, mocne i chroniące przed poślizgnięciem obuwie, kask i ochronniki słuchu.

Kurz powstający przy pracy z tym elektronarzędziem może być szkodliwy dla zdrowia, w związku z tym nie powinien dotrzeć do ciała. Nosić odpowiednią maskę przeciwpyłową.

Nie wolno obrabiać materiałów, które mogą być przyczyną zagrożenia zdrowia (na przykład azbestu).

W przypadku zablokowania narzędzia nasadzanego należy natychmiast wyłączyć urządzenie! Nie należy ponownie włączać urządzenia tak długo, jak długo narzędzie nasadzone jest zablokowane; przy tym mogłyby powstać odrzut

zwrotny o dużym momencie reakcyjnym. Należy wykręcić i usunąć przyczynę zablokowania narzędzia nasadzanego uwzględniając wskazówki dotyczące bezpieczeństwa.

Możliwymi przyczynami tego mogą być:

- Skośne ustawienie się w poddawany obróbcie przedmiocie obrabianym
- Przerwanie materiału poddawanego obróbce
- Przeciążenie narzędzia elektrycznego

Nie należy sięgać do wnętrza maszyny będącej w ruchu.

Narzędzie nasadzone może w trakcie użytkowania stać się gorące.

OSTRZEŻENIE! Niebezpieczeństwo oparzenia się

- przy wymianie narzędzia
- przy odstawianiu urządzenia

Podczas pracy elektronarzędzia nie wolno usuwać trocin ani drzazg.

Podczas pracy przy ścianach, sufitach i podłodze należy uważać na kable elektryczne, przewody gazowe i wodociągowe.

Należy zabezpieczyć przedmiot poddawany obróbce za pomocą urządzenia mocującego. Niezabezpieczone przedmioty poddawane obróbce mogą spowodować ciężkie obrażenia ciała i uszkodzenia.

Przed przystąpieniem do jakichkolwiek prac na elektronarzędziu należy wyjąć wkładkę akumulatorową.

Zużytych akumulatorów nie wolno wrzucać do ognia ani traktować jako odpadów domowych. AEG oferuje ekologiczną utylizację zużytych akumulatorów.

Nie przechowywać akumulatorów wraz z przedmiotami metalowymi (niebezpieczeństwo zwarcia).

Akumulatory L1215G3, L1220G3, L1415G3, L1420G3 należy ładować wyłącznie przy pomocy ładowarek AL1214G3. Nie ładować przy pomocy tych ładowarek akumulatorów innych systemów.

Nie otwierać wkładek akumulatorowych i ładowarek. Przechowywać w suchych pomieszczeniach. Chronić przed wilgocią.

W skrajnych warunkach temperaturowych lub przy bardzo dużym obciążeniu może dochodzić do wycieku kwasu akumulatorowego z uszkodzonych baterii akumulatorowych. W przypadku kontaktu z kwasem akumulatorowym należy natychmiast przemyć miejsce kontaktu wodą z mydłem. W przypadku kontaktu z oczami należy dokładnie przepłukiwać oczy przynajmniej przez 10 minut i zwrócić się natychmiast o pomoc medyczną.

Ostrzeżenie! Aby uniknąć niebezpieczeństwa pożaru, obrażeń lub uszkodzeń produktu na skutek zwarcia, nie wolno zanurzać narzędzia, akumulatora wymiennego ani ładowarki w cieczach i należy zatroszczyć się o to, aby do urządzeń i akumulatorów nie dostały się żadne ciecze. Zwarcie spowodować mogą korodujące lub przewodzące ciecze, takie jak woda morska, określone chemikalia i wybielacze lub produkty zawierające wybielacze.

WARUNKI UŻYTKOWANIA

Uniwersalna wiertarka- wkrętarka akumulatorowa przeznaczona jest do wiercenia i wkręcania z dala od źródła zasilania sieciowego.

Produkt można użytkować wyłącznie zgodnie z jego normalnym przeznaczeniem.

DEKLARACJA ZGODNOŚCI CE

Oświadczamy na naszą wyłączną odpowiedzialność, że produkt opisany w punkcie „Dane techniczne” jest zgodny ze wszystkimi istotnymi przepisami Dyrektywy 2011/65/EU (RoHS), 2014/30/UE, 2006/42/WE oraz z następującymi zharmonizowanymi dokumentami normatywnymi:

EN 60745-1:2009 + A11:2010

EN 60745-2-1:2010

EN 60745-2-2:2010

EN 55014-1:2006 + A1:2009 + A2:2011

EN 55014-2:2015

EN 50581:2012

Winnenden, 2017-09-25



Alexander Krug
Managing Director



Upelnomocniony do zestawienia danych technicznych

Techtronic Industries GmbH
Max-Eyth-Straße 10
71364 Winnenden
Germany

BATERIE AKUMULATOROWE

Akumulatory, które nie były przez dłuższy czas użytkowane, należy przed użyciem naładować.

W temperaturze powyżej 50°C następuje spadek osiągniętych wkladki akumulatorowej. Unikać długotrwałego wystawienia na oddziaływanie ciepła lub promieni słonecznych (niebezpieczeństwo przegrzania).

Styki ładowarek i wkładek akumulatorowych należy utrzymywać w czystości

W celu zagwarantowania optymalnej żywotności należy po zakończonej eksploatacji naładować akumulatory do pełna.

Dla zapewnienia możliwie długiej żywotności akumulatory należy wyjąć z ładowarki po ich naładowaniu.

W przypadku składowania akumulatorów dłużej aniżeli 30 dni:

Przechowywać je w suchym miejscu w temperaturze

ok. 27°C.

Przechowywać je w stanie naładowany do ok. 30% - 50%.

Ładować je ponownie co 6 miesięcy.

ZABEZPIECZENIE PRZECIĄŻENIOWE AKUMULATORA

Pakiet akumulatorowy jest wyposażony w zabezpieczenie przed przeciążeniem, które chroni akumulator przed przeciążeniem i zapewnia jego dużą żywotność. Przy ekstremalnie silnym narażeniu elektronika akumulatora automatycznie wyłącza maszynę. Aby kontynuować pracę należy wyłączyć i ponownie włączyć maszynę. Jeżeli nie nastąpiły ponowny rozruch maszyny, to możliwe, że pakiet akumulatorowy jest wyladowany i musi zostać ponownie naładowany w ładowarce.

TRANSPORT AKUMULATORÓW LITOWO-JONOWYCH

Akumulatory litowo-jonowe podlegają ustawowym przepisom dotyczącym transportu towarów niebezpiecznych.

Transport tych akumulatorów winien odbywać się przy przestrzeganiu lokalnych, krajowych i międzynarodowych rozporządzeń i przepisów.

- Odbiorcom nie wolno transportować tych akumulatorów po drogach ot tak po prostu.
- Komercyjny transport akumulatorów litowo-jonowych przez przedsiębiorstwa spedycyjne podlega przepisom dotyczącym transportu towarów niebezpiecznych. Przygotowania do wysyłki oraz transport mogą być wykonywane wyłącznie przez odpowiednio przeszkolone osoby. Cały proces winien odbywać się pod fachowym nadzorem.

W czasie transportu akumulatorów należy przestrzegać następujących punktów:

- Celem uniknięcia zwarcia należy upewnić się, że zestyki są zabezpieczone i zaizolowane.
- Zwracać uwagę na to, aby zespół akumulatorów nie mógł się przemieszczać we wnętrzu opakowania.
- Nie wolno transportować akumulatorów uszkodzonych lub z wyciekającym z elektrolitem.

Odnosnie dalszych wskazań należy zwrócić się do swojego przedsiębiorstwa spedycyjnego.

UTRZYMANIE I KONSERWACJA

Używać tylko i wyłącznie wyposażenia dodatkowego AEG i części zamiennych AEG. Gdyby trzeba było wymienić części, które nie zostały opisane, należy skontaktować się z przedstawicielem serwisu AEG (patrz wykaz adresów punktów usługowych/gwarancyjnych).

W razie potrzeby można zamówić rysunek urządzenia w rozłożeniu na części podając typ maszyny oraz sześciocyfrowy numer na tabliczce znamionowej w Punkcie Obsługi Klienta lub bezpośrednio w firmie Techtronic Industries GmbH, Max-Eyth-Straße 10, 71364 Winnenden, Germany.

SYMBOLS



**UWAGA! OSTRZEŻENIE
NIEBEZPIECZEŃSTWO!**



Przed przystąpieniem do jakichkolwiek prac na elektronarzędziu należy wyjąć wkładkę akumulatorową.



Przed uruchomieniem elektronarzędzia zapoznać się uważnie z treścią instrukcji.



Urządzenia elektryczne, baterie/akumulatory nie mogą być usuwane razem z odpadami pochodzącymi z gospodarstw domowych. Urządzenia elektryczne i akumulatory należy gromadzić oddzielnie i w celu usuwania ich do odpadów zgodnie z wymaganiami środowiska naturalnego oddawać do przedsiębiorstwa utylizacyjnego. Proszę zasięgnąć informacji o centrach recyklingowych i punktach zbiorczych u władz lokalnych lub u wyspecjalizowanego dostawcy.



Znak CE



Krajowy znak zgodności Ukraina



Znak zgodności EurAsian

TEHNIČNI PODATKI	BATERIJSKI VRTALNIKI/VJAČNIKI				
	BS12 G3 Li-Ion 1,5 Ah	BS12 G3 Li-Ion 2,0 Ah	BS14 G3 Li-Ion 1,5 Ah	BS14 G3 Li-Ion 1,5 Ah	BS14 G3 Li-Ion 2,0 Ah
Proizvodna številka.....	4522 58 02..... 000001-999999	4521 87 02..... 000001-999999	4523 02 02..... 000001-999999	4569 84 02..... 000001-999999	4521 89 02..... 000001-999999
Vrtalni Ø v jeklu.....	10 mm.....	10 mm.....	10 mm.....	10 mm.....	13 mm.....
Vrtalni Ø v lesu.....	30 mm.....	30 mm.....	30 mm.....	30 mm.....	32 mm.....
Lesni vijaki (brez predhodnega vrtanja).....	5 mm.....	5 mm.....	5 mm.....	5 mm.....	5 mm.....
Število vrtljajev v prostem teku v 1. prestavi.....	350 min ⁻¹	350 min ⁻¹	400 min ⁻¹	400 min ⁻¹	400 min ⁻¹
Število vrtljajev v prostem teku v 2. prestavi.....	1500 min ⁻¹	1500 min ⁻¹	1700 min ⁻¹	1700 min ⁻¹	1700 min ⁻¹
Vrtilni moment z izmenljivim akumulatorjem *1.....	30 Nm.....	32 Nm.....	32 Nm.....	32 Nm.....	36 Nm.....
Napetost izmenljivega akumulatorja.....	12 V.....	12 V.....	14,4 V.....	14,4 V.....	14,4 V.....
Napenjalno področje vpenjalne glave.....	0,8-10 mm.....	0,8-10 mm.....	0,8-10 mm.....	2,0-13 mm.....	2,0-13 mm.....
Teža po EPTA-proceduri 01/2003.....	1,1 kg.....	1,1 kg.....	1,2 kg.....	1,2 kg.....	1,2 kg.....

Informacije o hrupnosti / vibracijah

Vrednosti merjenja ugotovljene ustrezno z EN 60 745.
A ocenjeni nivo zvočnega tlaka znaša tipično
Nivo zvočnega tlaka (Nevarnost K=3dB(A))..... 84,5 dB (A)..... 84,5 dB (A)..... 86,5 dB (A)..... 86,5 dB (A)..... 86,5 dB (A)

Višina zvočnega tlaka (Nevarnost K=3dB(A))..... 95,5 dB (A)..... 95,5 dB (A)..... 97,5 dB (A)..... 97,5 dB (A)..... 97,5 dB (A)

Nosite zaščito za sluh!

Skupna vibracijska vrednost (Vektorska vsota treh smeri) določena ustrezno EN 60745.
Vibracijska vrednost emisij

Vrtanje v kovine a _{h,d}	0,5 m/s ²	0,5 m/s ²	1,2 m/s ²	1,2 m/s ²	1,2 m/s ²
Nevarnost K=.....	1,5 m/s ²	1,5 m/s ²	1,5 m/s ²	1,5 m/s ²	1,5 m/s ²
Vijačenje a.....	0,7 m/s ²	0,7 m/s ²	2,0 m/s ²	2,0 m/s ²	2,0 m/s ²
Nevarnost K=.....	1,5 m/s ²	1,5 m/s ²	1,5 m/s ²	1,5 m/s ²	1,5 m/s ²

OPOZORILO

V teh navodilih navedena raven tresljajev je bila izmerjena po EN60745 normiranem merilnem postopku in lahko služi medsebojni primerjavi električnih orodij. Prav tako je primeren za predhodno oceno obremenitve s tresljaji.

Navedena raven tresljajev navaja najpomembnejše vrste rabe električnega orodja. Kadar se električno orodje uporablja za drugačne namene, z odstopajočimi orodji ali pa z nezadostnim vzdrževanjem, lahko raven tresljajev tudi odstopa. Le to lahko čez celoten delovni čas znatno zviša obremenitev s tresenjem.

Za natančno oceno obremenitve s tresljaji naj bi se upošteval tudi čas, v katerem je naprava izklopljena ali sicer teče, vendar dejansko ni v rabi. Le to lahko obremenitev s tresljaji čez celoten delovni čas znatno zmanjša.

Za zaščito upravljalca pred učinkom tresljajev uvedite dodatne zaščitne ukrepe npr.: Vzdrževanje električnega orodja in orodja, delo s toplimi rokami, organizacija delovnih potevok.

⚠ OPOZORILO! Preberite vsa varnostna opozorila in navodila. Napake zaradi neupoštevanja spodaj navedenih opozoril in napolit lahko povzročijo električni udar, požar in/ali težke telesne poškodbe.

Vsa opozorila in napotila shranite, ker jih boste v prihodnje še potrebovali.

⚠ VARNOSTNI NAPOTKI ZA VRTALNI STROJ

Uporabite dodatne ročaje, ki so dobavljeni skupaj z napravo. Izguba kontrole lahko povzroči poškodbe.

Kadar izvajate dela pri katerih lahko orodje zadane prikrto električno napeljavno, je napravo potrebno držati za izolirane prijemalne površine.

Stik z električnim vodnikom, ki je pod napetostjo, povzroči napetost tudi v kovinskih delih naprave, kar ima za posledico električni udar.

⚠ VARNOSTNI NAPOTKI ZA VRTALNIK

Kadar izvajate dela pri katerih lahko sveder zadane v prikrte električne vode, držite napravo za izolirane prijemalne površine. Stik svedra z električnim vodnikom lahko kovinske deli naprave spravi pod napetost in vodi do električnega udara.

NADALJNA VARNOSTNA IN DELOVNA OPOZORILA

Uporabite zaščitno opremo. Pri delu s strojem vedno nosite zaščitna očala. Priporočajo se zaščitna oblačila, kot npr. maska za zaščito proti prahu, zaščitne rokavice, trdno in neдрсеče obualvo, čelada in zaščita za sluh.

Prah, ki nastaja pri delu, je pogosto zdravju škodljiv in naj ne zaide v telo. Nosite ustrezno masko proti prahu.

Obdelava materialov, iz katerih izhajajo ogroženost zdravja (npr. azbest), ni dovoljena.

V primeru blokade orodja napravo takoj izklopite! Napravo ponovno ne vklaplajte dokler je orodje blokirano; pri tem bi lahko prišlo do povratnega udara z velikim reakcijskim momentom. Ugotovite in odpravite vzroke blokade orodja ob upoštevanju varnostnih navodil.

Možni razlogi so lahko:

- Zagozditev v obdelovancu
- prežganje obdelovanega materiala
- Preobremenitev električnega orodja

Ne segajte v stroj v teku.

Orodje lahko med uporabo postane vroče.

OPOZORILO! Nevarnost opeklin

- pri menjavi orodja
- pri odlaganju naprave

Trske ali iveri se pri tekočem stroju ne smejo odstranjevati.

Pri delih na steni, stropu ali v tleh pazite na električne kable, plinske in vodne napeljave.

Obdelovanec zavarujte z vpenjalno pripravo. Nezaravovani obdelovanci lahko povzročijo težke poškodbe in okvare.

Pred vsemi deli na stroji odstranite izmenljivi akumulator.

Izrabljenih izmenljivih akumulatorjev ne mečite v ogenj ali v gospodinjske odpadke. AEG nudi okolju prijazno odlaganje starih izmenljivih akumulatorjev; prosimo povprašajte vašega strokovnega trgovca.

Izmenljivih akumulatorjev ne hranite skupaj s kovinskimi predmeti (nevarnost kratkega stika).

Izmenljive akumulatorje L1215G3, L1220G3, L1415G3, L1420G3 polnite samo s polnilnimi aparati AL1214G3. Ne polnite nobenih akumulatorjev iz drugih sistemov.

Izmenljivih akumulatorjev in polnilnih aparatov ne odpirajte in jih hranite samo v suhih prostorih. Zaščitite jih pred mokroto.

Pod ekstremno obremenitvijo ali ob ekstremni temperaturi iz poškodovanega izmenljivega akumulatorja lahko izteka akumulatorska tekočina. Po stiku z akumulatorsko tekočino prizadeto mesto takoj izperite z vodo in milom. Po stiku z očmi takoj najmanj 10 minut dolgo temeljito izpirajte in nemudoma obiščite zdravnika.

Opozorilo! V izogib, s kratkim stikom povzročene nevarnosti požara, poškodb ali okvar na strokovu, orodja, izmenljivega akumulatorja ali polnilne naprave ne potaplajte v tekočine in poskrbite, da ne bo prihajalo do vdora tekočin v naprave in akumulatorje. Korozivne ali prevodne tekočine, kot so slana voda, določene kemikalije in belila ali proizvodi, ki le ta vsebujejo, lahko povzročijo kratek stik.

UPORABA V SKLADU Z NAMEDNOSTJO

Akumulatorski vrtalnik – izvijač je univerzalno uporaben za vrtenje in vijačenje neodvisno od omrežnega priključka.

Ta naprava se sme uporabiti samo v skladu z namednostjo uporabiti samo za navedene namene.

CE-IZJAVA O KONFORMNOSTI

V lastni odgovornosti izjavljamo, da se pod „Tehnični podatki“ opisan proizvod ujema z vsemi relevantnimi predpisi smernice 2011/65/EU (RoHS), 2014/30/EU, 2006/42/ES in s sledečimi harmoniziranimi normativnimi dokumenti:

EN 60745-1:2009 + A11:2010
EN 60745-2-1:2010
EN 60745-2-2:2010
EN 55014-1:2006 + A1:2009 + A2:2011
EN 55014-2:2015
EN 50581:2012

Winnenden, 2017-09-25



Alexander Krug
Managing Director

Pooblaščen za izdelavo spisov tehnične dokumentacije.

Techtronic Industries GmbH
Max-Eyth-Straße 10
71364 Winnenden
Germany

AKUMULATORJI

Izmenljive akumulatorje, ki jih daljši čas niste uporabljali, pred uporabo naknadno napolnite.

Temperatura nad 50°C zmanjšuje zmogljivost izmenljivega akumulatorja. Izogibajte se daljšemu segrevanju zaradi sončnih žarkov ali greja.

Pazite, da ostanejo priključni kontakti na polnilnem aparatu in izmenljivem akumulatorju čisti.

Za optimalno življenjsko dobo je akumulatorje potrebno po uporabi napolniti do konca.

Za čim daljšo življenjsko dobo naj se akumulatorji po napolnitvi vzamejo ven iz naprave za polnjenje.

Pri skladiščenju akumulatorjev dalj kot 30 dni: Akumulator skladiščiti pri 27°C in na suhem. Akumulator skladiščiti pri 30%-50% stanja polnjenja. Akumulator spet napolniti vsakih 6 mesecev.

ZAŠČITA PREOBREMITVE AKUMULATORJA

Komplet akumulatorja je opremljen s preobremenitveno zaščito, ki ščiti akumulator pred preobremenitvijo in zagotavlja dolgo življenjsko dobo. Pri ekstremno visokih obremenitvah elektronika akumulatorja stroj avtomatsko izklopi. Za nadaljnje delo stroj izklopimo in ponovno vklopimo. V kolikor stroj ponovno ne steče, je komplet akumulatorja morebiti izpraznjen in ga je v polnilcu potrebno ponovno napolniti.

TRANSPORT LITIJIJONSKE AKUMULATORJEVE

Litij-ionski akumulatorji so podvrženi zakonskim določbam transporta nevarnih snovi.

Transport teh akumulatorjev se mora izvajati upoštevajoč lokalne, nacionalne in mednarodne predpise in določbe.

- Potrošniki lahko te akumulatorje še nadalje transportirajo po cesti.
- Komerčni transport litij-ionskih akumulatorjev s strani špediterkih podjetij je podvržen določbam transporta nevarnih snovi. Priprava odpreme in transporta se lahko vrši izključno s strani ustrezno izšolanih oseb. Celoten proces je potrebno strokovno spremljati.

Pri transportu akumulatorjev je potrebno upoštevati sledeče točke:

- V izogib kratkim stikom zagotovite, da bodo kontakti zaščiteni in izolirani.
- Bodite pozorni na to, da paket akumulatorja v notranjosti embalaže ne bo mogel zdrsniti.
- Poškodovanih ali iztekajočih akumulatorjev ni dovoljeno transportirati.

Za nadaljnja navodila se obrnite na vaše špediterko podjetje.

VZDRŽEVANJE

Uporabljajte samo AEG pribor in AEG nadomestne dele. Poskrbite, da sestavne dele, katerih zamenjava ni opisana, zamenjajo v AEG servisni službi (upoštevajte brošuro Garancija/Naslovi servisnih služb).

Po potrebi je mogoče pri vašem servisnem mestu ali neposredno pri Techtronic Industries GmbH, Max-Eyth-Straße 10, 71364 Winnenden, Germany, naročiti eksplozijsko risbo naprave ob navedbi tipa stroja in na tablici navedene šestmestne številke.

SIMBOLI



POZOR! OPOZORILO! NEVARNO!



Pred vsemi deli na stroji odstranite izmenljivi akumulator.



Prosimo, da pred uporabo pazorno preberete to navodilo za uporabo.



Električnih naprav, baterij/akumulatorjev ni dovoljeno odstranjevati skupaj z gospodinjskimi odpadki. Električne naprave in akumulatorje je potrebno zbirati ločeno in za okolju prijazno odstranitev, oddati podjetju za reciklažo. Pri krajevnem uradu ali vašem strokovnem prodajalcu se pozanimajte glede reciklažnih dvorišč in zbirnih mest.



CE-znak



Nacionalna oznaka skladnosti Ukrajina



EurAsian oznaka o skladnosti.

TEHNIČKI PODACI	AKUMULATORSKI BUŠAČI IZVIJAČ				
	BS12 G3 Li-Ion 1,5 Ah	BS12 G3 Li-Ion 2,0 Ah	BS14 G3 Li-Ion 1,5 Ah	BS14 G3 Li-Ion 1,5 Ah	BS14 G3 Li-Ion 2,0 Ah
Broj proizvodnje.....	4522 58 02.....	4521 87 02.....	4523 02 02.....	4569 84 02.....	4521 89 02.....
000001-999999000001-999999000001-999999000001-999999000001-999999
Bušenje- σ u čelik.....	10 mm.....	10 mm.....	10 mm.....	10 mm.....	13 mm
Bušenje- σ u drvo.....	30 mm.....	30 mm.....	30 mm.....	30 mm.....	32 mm
Vijci za drvo (bez prebušenja).....	5 mm.....	5 mm.....	5 mm.....	5 mm.....	5 mm
Vrijci okretaja praznog hoda u 1. Brzini.....	350 min ⁻¹	350 min ⁻¹	400 min ⁻¹	400 min ⁻¹	400 min ⁻¹
Broj okretaja praznog hoda u 2. Brzini.....	1500 min ⁻¹	1500 min ⁻¹	1700 min ⁻¹	1700 min ⁻¹	1700 min ⁻¹
Okretni moment sa baterijom za zamjenu *1.....	30 Nm.....	32 Nm.....	32 Nm.....	32 Nm.....	36 Nm
Napon baterije za zamjenu.....	12 V.....	12 V.....	14,4 V.....	14,4 V.....	14,4 V
Područje stezne glave za stezanje svrdla.....	0,8-10 mm.....	0,8-10 mm.....	0,8-10 mm.....	2,0-13 mm.....	2,0-13 mm
Težina po EPTA-proceduri 01/2003 (.....)	1,1 kg.....	1,1 kg.....	1,2 kg.....	1,2 kg.....	1,2 kg

Informacije o buci / vibracijama

Mjerne vrijednosti utvrđene odgovarajuće EN 60 745.

A-procjenjeni nivo pritiska zvuka aparata iznosi tipično

Nivo pritiska zvuka (Nesigurnost K=3dB(A))..... 84,5 dB (A)..... 84,5 dB (A)..... 86,5 dB (A)..... 86,5 dB (A)..... 86,5 dB (A)

Nivo učinka zvuka (Nesigurnost K=3dB(A))..... 95,5 dB (A)..... 95,5 dB (A)..... 97,5 dB (A)..... 97,5 dB (A)..... 97,5 dB (A)

Nositi zaštitu sluha!

Ukupne vrijednosti vibracije (Vektor suma tri smjera) su

odmjerene odgovarajuće EN 60745

Vrijednost emisije vibracije

Bušenje metala a_d..... 0,5 m/s²..... 0,5 m/s²..... 1,2 m/s²..... 1,2 m/s²..... 1,2 m/s²

Nesigurnost K=..... 1,5 m/s²..... 1,5 m/s²..... 1,5 m/s²..... 1,5 m/s²..... 1,5 m/s²

Vijčanje a_w..... 0,7 m/s²..... 0,7 m/s²..... 2,0 m/s²..... 2,0 m/s²..... 2,0 m/s²

Nesigurnost K=..... 1,5 m/s²..... 1,5 m/s²..... 1,5 m/s²..... 1,5 m/s²..... 1,5 m/s²

UPOZORENJE

Ova u ovim uputama navedena razina titranja je bila izmjerena odgovarajuće jednom u EN 60745 normiranom mjernom postupku i može se upotrijebiti za usporedbu električnog alata međusobno. Ona je prikladna i za privremenu procjenu titrajnog opterećenja.

Navedena razina titranja reprezentira glavne primjene električnog alata. Ukoliko se električni alat upotrebljava u druge svrhe sa odstupajućim primijenjenim alatima ili nedovoljnim održavanjem, onda razina titranja može odstupati. To može titrajno opterećenje kroz cijeli period rada bitno povisiti.

Za točnu procjenu titrajnog opterećenja se moraju uzeti u obzir i vremena u kojima je uređaj isključeni ili u kojima doduše radi, ali nije i stvarno u upotrebi. To može titrajno opterećenje bitno smanjiti za vrijeme cijelog radnog perioda.

Utvrđite dodatne sigurnosne mjere za zaštitu poslužioaca protiv djelovanja titranja kao npr.: Održavanje električnih alata i upotrebljenih alata, održavanje topline ruku, organizacija i radne postupke.

UPOZORENJE! Pročitajte molimo sve sigurnosna upozorenja i upute. Ako se ne bi poštivala napomene o sigurnosti i upute to bi moglo uzrokovati strujni udar, požar i/ili teške ozljede. **Sačuvajte sve napomene o sigurnosti i upute za buduću primjenu.**

SIGURNOSNE UPUTE ZA BUŠILICE

Koristite dodatne drške koje su isporučene sa aparatom. Gubitak kontrole može prouzročiti povrede.

Držite spravu na izoliranim držačkim površinama kada izvodite radove kod kojih rezački alat može pogoditi skrivene vodove struje. Kontakt s vodovima pod naponom, pod napon će se staviti i metalni dijelovi uređaja, što može dovesti do električnog udara.

SIGURNOSNE UPUTE ZA ZAVRTAČ

Držite spravu na izoliranim držačkim površinama kada izvodite radove kod kojih rezački alat može pogoditi skrivene vodove struje. Kontakt rezačkog alata sa vodovima koji sprovode napon može metalne dijelove sprave dovesti pod napon i tako dovesti do električnog udara.

OSTALE SIGURNOSNE I RADNE UPUTE

Upotrebljavati zaštitnu opremu. Kod radova sa strojem uvijek nositi zaštitne naočale. Preporučuje se zaštitna odjeća, kao zaštitna maska protiv prašine, zaštitne rukavice, čvrste i protiv klizanja sigurne cipele, šljem i zaštitu sluha.

Prašina koja nastaje prilikom rada je često nezdrava i ne bi smijela dospjeti u tijelo. Nositi prikladnu zaštitnu masku protiv prašine.

Ne smiju se obrađivati nikakvi materijali, od kojih prijeti opasnost po zdravlje (npr. azbest).

Kod blokiranja alata koji se upotrebljava uređaj molimo odmah isključiti! Uređaj nemojte ponovno uključiti za vrijeme dok je alat

koji se upotrebljava blokiran; time može doći do povratnog udara sa visokim reakcijskim momentom. Pronađite i otklonite uzrok blokiranja alata koji se upotrebljava uz poštivanje sigurnosnih uputa.

Mogući uzroci tome mogu biti:

- Izobličavanje u izratku koji se obrađuje
- Probijanje materijala koji se obrađuje
- Preopterećenje električnog alata

Nemojte sezati u stroj koji radi.

Upotrebljeni alat se može za vrijeme korištenja zagrijati.

UPOZORENJE! Opasnost od opekotina

- kod promjene alata
- kod odlaganja uređaja

Piljevina ili ijerve se za vrijeme rada stroja ne smiju odstranjivati.

Kod radova na zidu, stroju ili podu paziti na električne kablove kao i vodove plina i vode.

Osigurajte vaš izradak jednim steznim uređenjem. Neosigurani izradci mogu prouzročiti teške povrede i oštećenja.

Prije svih radova na stroju izvaditi bateriju za zamjenu.

Istrošene baterije za zamjenu ne bacati u vatru ili u kućno smeće. AEG nudi mogućnost uklanjanja starih baterija odgovarajuće okolini. AEG nudi mogućnost uklanjanja starih baterija odgovarajuće okolini; upitajte molimo Vašeg stručnog trgovca.

Baterije za zamjenu ne čuvati skupa sa metalnim predmetima (opasnost od kratkog spoja).

Baterije L1215G3, L1220G3, L1415G3, L1420G3 puniti samo sa uređajem za punjenje AL1214G3. Ne puniti baterije iz drugih sistema.

Baterije za zamjenu i uređaje za punjenje ne otvarati i čuvati ih samo u suhim prostorijama. Čuvati protiv vlage.

Pod ekstremnim opterećenjem ili ekstremne temperature može iz oštećenih baterija iscuriti baterijska tekućina. Kod dodira sa baterijskom tekućinom odmah isprati sa vodom i sapunom. Kod kontakta sa očima odmah najmanje 10 minuta temeljno ispirati i odmah potražiti liječnika.

Upozorenje! Zbog izbjegavanja opasnosti od požara jednim kratkim spojem, opasnosti od ozljeda ili oštećenja proizvoda, alat, izmjenjivi akumulator ili napravu za punjenje ne uronjavati u tekućine i pobrinite se za to, da u uređaje ili akumulator ne prodiru nikakve tekućine. Korozirajuće ili vodljive tekućine kao slana voda, određene kemikalije i sredstva za bijeljenje ili proozvodi koji sadrže sredstva bijeljenja, mogu prouzročiti kratak spoj.

PROPIŠNA UPOTREBA

Baterijska bušilica-zavrtač je univerzalno upotrebljiva za bušenje i zavrtnje, neovisno o priključku na mrežu.

Ovaj aparat se smije upotrijebiti samo u određene svrhe kao što je navedeno.

CE-IZJAVA KONFORMNOSTI

Izjavljujemo na osobnu odgovornost, da je proizvod opisan pod „Tehnički podaci“, sukladan sa svim relevantnim propisima smjernice 2011/65/EU (RoHS), 2014/30/EU, 2006/42/EC i sa slijedećim harmoniziranim normativnim dokumentima:

EN 60745-1:2009 + A11:2010

EN 60745-2-1:2010

EN 60745-2-2:2010

EN 55014-1:2006 + A1:2009 + A2:2011

EN 55014-2:2015

EN 50581:2012

Winnenden, 2017-09-25

Alexander Krug
Managing Director



Ovlašten za formiranje tehničke dokumentacije.

Techtron Industries GmbH
Max-Eyth-Straße 10
71364 Winnenden
Germany

BATERIJE

Baterije koje duže vremena nisu korištene, prije upotrebe napuniti.

Temperatura od preko 50°C smanjuje učinak baterija. Duže zagrijavanje od strane sunca ili grijanja izbjeci.

Priključne kontakte na uređaju za punjenje i baterijama držati čistima.

Za optimalni vijek trajanja se akumulatori poslije upotrebe moraju sasvim napuniti.

Za što moguće duži vijek trajanja, akumulatori se nakon punjenja moraju odstraniti iz punjača.

Kod skladištenja akumulatora duže od 30 dana:

Akumulator skladištiti na suhom kod ca. 27°C.

Akumulator skladištiti kod ca. 30%-50% stanja punjenja.

Akumulator ponovno napuniti svakih 6 mjeseci.

Akkupack je opremljen jednom zaštitom protiv preopterećenja, koja akumulator štiti protiv preopterećenja i osigurava dugi vijek. Kod ekstremno jakih opterećenja, elektronika akumulatora automatski isključuje stroj. Za nastavak rada stroja isključiti i ponovno uključiti. Ako se stroj ponovno ne pokrene, Akkupack je eventualno ispražnjen i mora se na punjaču ponovno napuniti.

TRANSPORT LITIJSKIH IONSKIH BATERIJA

Litijske-ionske baterije spadaju pod zakonske odredbe u svezi transporta opasne robe.

Prijevoz ovih baterija mora uslijediti uz poštivanje lokalnih, nacionalnih i internacionalnih propisa i odredaba.

- Korisnici mogu bez ustručavanja ove baterije transportirati po cestama.
- Komercijalni transport litijsko-ionskih baterija od strane transportnih poduzeća spada pod odredbe o transportu opasne robe. Otpremničke pripreme i transport smiju izvoditi isključivo odgovarajuće školovane osobe. Kompletni proces se mora pratiti na stručan način.

Kod transporta baterija se moraju poštivati slijedeće točke:

- Uvjerite se da su kontakti zaštićeni i izolirani kako bi se izbjegli kratki spojevi.
- Pazite na to, da blok baterija unutar pakiranja ne može proklizavati.
- Oštećene ili iscurjele baterije se ne smiju transportirati.

U svezi ostalih uputa obratite se vašem prijevoznom poduzeću.

ODRŽAVANJE

Primijeniti samo AEG opremu i AEG rezervne dijelove. Sastavne dijelove, čija zamjena nije opisana, dati zamijeniti kod jedne od AEG servisnih službi (poštivati brošuru Garancija/Adrese servisa).

Po potrebi se crtež pojedinih dijelova aparata uz navedenje podatka o tipu stroja i šestznamenastog broja na pločici snage može zatražiti kod vašeg servisa ili direktno kod Techtron Industries GmbH, Max-Eyth-Straße 10, 71364 Winnenden, Njemačka.

SIMBOLI



PAŽNJA! UPOZORENIE! OPASNOST!



Prije svih radova na stroju izvaditi bateriju za zamjenu.



Molimo da pažljivo pročitate uputu o upotrebi prije puštanja u rad.



Elektrouređaji, baterije/akumulatori se ne smiju zbrinjavati skupa sa kućnim smećem. Električni uređaji akumulatori se moraju skupljati odvojeno i predati na zbrinjavanje primjereno okolišu jednom od pogona za iskorišćavanje. Raspitajte se kod mjesnih vlasti ili kod stručnog trgovca u svezi gospodarstva za recikliranje i mjesta skupljanja.



Oznaka-CE



Nacionalni znak konformnosti Ukrajina



EurAsian znak konformnosti.

TEHNISKIE DATI	AKUMULATORAS URBIS				
	BS12 G3 Li-Ion 1,5 Ah	BS12 G3 Li-Ion 2,0 Ah	BS14 G3 Li-Ion 1,5 Ah	BS14 G3 Li-Ion 1,5 Ah	BS14 G3 Li-Ion 2,0 Ah
Izlaides numurs	4522 58 02	4521 87 02	4523 02 02	4569 84 02	4521 89 02
.....	000001-999999	000001-999999	000001-999999	000001-999999	000001-999999
Urbšanas diametrs tēraudā	10 mm	10 mm	10 mm	10 mm	13 mm
Urbšanas diametrs kokā	30 mm	30 mm	30 mm	30 mm	32 mm
Koka skrūves (bez iepriekšējas urbšanas)	5 mm	5 mm	5 mm	5 mm	5 mm
Apgrīzieni tukšgaitā 1. ātrumā	350 min ⁻¹	350 min ⁻¹	400 min ⁻¹	400 min ⁻¹	400 min ⁻¹
Apgrīzieni tukšgaitā 2. ātrumā	1500 min ⁻¹	1500 min ⁻¹	1700 min ⁻¹	1700 min ⁻¹	1700 min ⁻¹
Griezes moments ar papildus akumulātoru	30 Nm	32 Nm	32 Nm	32 Nm	36 Nm
Akumulātoru spriegums	12 V	12 V	14,4 V	14,4 V	14,4 V
Urbja stiprinājuma amplitūda	0,8-10 mm	0,8-10 mm	0,8-10 mm	2,0-13 mm	2,0-13 mm
Svārs atbilstoši EPTA -Procedure 01/2003	1,1 kg	1,1 kg	1,2 kg	1,2 kg	1,2 kg

Trokšņu / Vibrāciju informācija

Vērtības, kas noteiktas saskaņā ar EN 60745.
Instrumenta tipiskais pēc A vērtētais trokšņa spiediena līmenis parasti sastāda

Trokšņa spiediena līmenis (Nedrošība K=3dB(A))	84,5 dB (A)	84,5 dB (A)	86,5 dB (A)	86,5 dB (A)	86,5 dB (A)
Trokšņa jaudas līmenis (Nedrošība K=3dB(A))	95,5 dB (A)	95,5 dB (A)	97,5 dB (A)	97,5 dB (A)	97,5 dB (A)

Nēsāt trokšņa slāpētāju!

Svārstību kopējā vērtība (Trīs virzienu vektoru summa) tiek noteikta atbilstoši EN 60745.
svārstību emisijas vērtība

Metāla urbis a_{pD}	0,5 m/s ²	0,5 m/s ²	1,2 m/s ²	1,2 m/s ²	1,2 m/s ²
Nedrošība K=	1,5 m/s ²	1,5 m/s ²	1,5 m/s ²	1,5 m/s ²	1,5 m/s ²
Skrūvēšana a_{pD}	0,7 m/s ²	0,7 m/s ²	2,0 m/s ²	2,0 m/s ²	2,0 m/s ²
Nedrošība K=	1,5 m/s ²	1,5 m/s ²	1,5 m/s ²	1,5 m/s ²	1,5 m/s ²

UZMANĪBU

Instrukcijā norādītā svārstību robežvērtība ir izmērīta mērījumu procesā, kas veikts atbilstoši standartam EN 60745, un to var izmantot elektroinstrumentu savstarpējai salīdzināšanai. Tā ir piemērota arī svārstību noslogojuma pagaidu izvērtēšanai.

Norādītā svārstību robežvērtība ir reprezentatīva elektroinstrumenta pamata pielietojuma jomām. Tomēr, ja elektroinstrumenti tiek lietoti citās jomās, papildus izmantojot neatbilstošus elektroinstrumentus vai pēc nepietiekamas tehniskās apkopes, tad svārstību robežvērtība var atšķirties. Tas var ievērojami palielināt svārstību noslogojumu visa darba laikā.

Precīzai svārstību noslogojuma noteikšanai, ir jāņem vērā arī laiks, kad ierīces ir izslēgta vai arī ir ieslēgta, tomēr faktiski netiek lietota. Tas var ievērojami samazināt svārstību noslogojumu visa darba laikā.

Integrējiet papildus drošības pasākumus pret svārstību ietekmi lietotājiem, piemēram: elektroinstrumentu un darba instrumentu tehniskā apkope, roku siltuma uzturēšana, darba procesu organizācija.

▲ BRĪDINĀJUMS! Izlasiet visus drošības brīdinājumus un instrukcijas. Šeit sniegto drošības noteikumu un norādījumu neievērošana var izraisīt aizdegšanos un būt par cēloni elektriskajam triecienam vai nopietnam savainojumam. **Pēc izlasīšanas uzglabājiet šos noteikumus turpmākai izmantošanai.**

▲ DROŠĪBAS NOSACĪJUMI LIETOJOT URBJMAŠĪNAS

Lietojiet instrumentam pievienotos papildus rokturus. Zaudējot kontroli, var gūt ievainojumus.

Ierīci turiet aiz izolētiem rokturiem, ja veicat darbus, kuros griešanas darbiem izmantojamais instruments var skart paslēptus elektrovadus. Asmenim saskaroties ar vadiem, kuriem tiek pievadīts fāzes spriegums, šis spriegums nonāk arī uz instrumenta korpusa strāvu vadošajām daļām un var izraisīt elektrisko triecienu.

▲ DROŠĪBAS NOSACĪJUMI LIETOJOT SKRŪVGRĪEŽŅUS

Turiet ierīci aiz izolētājam turēšanas virsmām, veicot darbus, kur skrūve var skart apslēptus elektrības vadus. Skrūves kontakts ar spriegumu vadošu vadu var ierīces metāla daļas uzlādēt un novest pie elektriskās strāvas trieciena.

CITAS DROŠĪBAS UN DARBA INSTRUKCIJAS

Jāizmanto aizsargaprīkojums. Strādājot ar mašīnu, vienmēr jānēsā aizsargbrilles. Ieteicams nēsāt aizsargapģērbu, kā piemēram, aizsargmasku, aizsargcimdus, kurpes un stingra un neslīdīga materiāla, ķiveri un ausu aizsargus.

Putekļi, kas rodas darba gaitā, bieži ir kaitīgi veselībai un tiem nevajadzētu nokļūt organismā. Jānēsā piemērota maska, kas pasargā no putekļiem.

Nedrīkst apstrādāt materiālus, kas rada draudus veselībai (piemēram, azbestu).

Ja izmantojamais darba rīks tiek bloķēts, nekavējoties izslēgt ierīci! Neieslēdziet ierīci, kamēr izmantojamais darba rīks ir bloķēts; var rasties atsitiens ar augstu griezes momentu. Noskaidrojiet un novērsiet izmantojamā darba rīka bloķēšanas iemeslu, ievērojot visas drošības norādes.

Iespējamie iemesli:

- iesprūdis apstrādājamajā materiālā
- apstrādājamais materiāls ir caursists
- elektroinstrumenti ir pārslogots

Leslēgtai ierīcei nepieskarti.

Izmantojamais darba rīks darba gaitā var stipri sakarst.

UZMANĪBU! Bīstamība apdedzināties

- veicot darba rīka nomaiņu
- noiekot iekārtu

Skaidas un atlūzas nedrīkst ņemt ārā, kamēr mašīna darbojas.

Veicot darbus sienu, griestu un grīdas apvidū, vajag uzmanīties, lai nesabojātu elektriskos, gāzes un ūdens vadus.

Fiksējiet apstrādājamo materiālu ar fiksācijas aprīkojumu. Nenostiprināti materiāli var izraisīt smagus savainojumus un bojājumus.

Pirms mašīnai veikt jebkāda veida apkopes darbus, ir jāizņem ārā akumulātors.

Izmantotos akumulārus nedrīkst mest ugunī vai parastajos atkritumos. Firma AEG piedāvā iespēju vecos akumulātorus savākt apkārtējo vidi saudzējošā veidā; jautājiet specializētā veikalā.

Akumulātorus nav ieteicams glabāt kopā ar metāla priekšmetiem (iespējams īsslēgums).

L1215G3, L1220G3, L1415G3, L1420G3 akumulātorus lādēt tikai ar AL1214G3 lādētājiem. Nedrīkst lādēt citus akumulātorus no citām sistēmām.

Akumulātorus un lādētājus nedrīkst taisīt vaļā un tie jāuzglabā sausās telpās.

Pie ārkārtas slodzes un ārkārtas temperatūrām no bojātā akumulātorā var iztecēt akumulātorā šķidrums. Ja nonākat saskarsmē ar akumulātorā šķidrumu, saskarsmes vieta nekavējoties jānomazgā ar ūdeni un ziepēm. Ja šķidrums nonācis acīs, acis vismaz 10 min. skalot un nekavējoties konsultēties ar ārstu.

Brīdinājums! Lai novērstu īssavienojuma izraisītu aizdegšanās, savainojumu vai produkta bojājuma risku, neiegremdējiet instrumentu, maināmo akumulātoru vai uzlādes ierīci šķidrumos un rūpējieties par to, lai ierīces un akumulātoros neiekļūtu šķidrums. Koroziju izraisoši vai vadītspējīgi šķidrumi, piemēram, sālsūdens, noteiktas ķīmikālijas, balinātāji vai produkti, kas satur balinātājus, var izraisīt īssavienojumu.

NOTEIKUMIEM ATBILSTOŠS IZMANTOJUMS

Skrūvgrīznis - Urbjmašīna ar akumulātoru ir universāli izmantojama urbšanai un skrūvēšanai neatkarīgi no tīkla pieslēguma.

Šo instrumentu drīkst izmantot tikai saskaņā ar minētajiem lietošanas noteikumiem.

ATBILSTĪBA CE NORMĀM

Mēs apļiecinām, ka produkts, kura tehniskie parametri aprakstīti „tehnisko datu lapā”, pilnībā atbilst prasībām saskaņā ar direktīvām 2011/65/EU (RoHS), 2014/30/ES, 2006/42/EK un attiecīgajiem harmonizētajiem normatīvajiem dokumentiem:

- EN 60745-1:2009 + A11:2010
- EN 60745-2-1:2010
- EN 60745-2-2:2010
- EN 55014-1:2006 + A1:2009 + A2:2011
- EN 55014-2:2015
- EN 50581:2012

Winnenden, 2017-09-25

Alexander Krug
Managing Director
Pilnvarotais tehniskās dokumentācijas sastādītājs.
Techtronic Industries GmbH
Max-Eyth-Straße 10
71364 Winnenden
Germany



AKUMULĀTORI

Akumulātori, kas ilgāku laiku nav izmantoti, pirms lietošanas jāuzlādē.

Pie temperatūras, kas pārsniedz 50°C, akumulātoru darbība tiek negatīvi ietekmēta. Vajag izvairīties no ilgākas saules un karstuma iedarbības.

Lādētāja un akumulātoru pievienojuma kontakti jāuztur tīri.

Lai baterijām būtu optimāls mūžs, pēc lietošanas bateriju bloks pilnībā jāuzlādē.

Lai akumulātori kalpotu pēc iespējas ilgāku laiku, tos pēc uzlādes ieteicams atvienot no lādētāj ierīces.

Akumulātoru uzglabāšana ilgāk kā 30 dienas: uzglabāt akumulātoru pie aptuveni 27° C un sausā vietā. Uzglabāt akumulātoru uzlādes stāvoklī aptuveni pie 30%-50%. Uzlādēt akumulātoru visus 6 mēnešus no jauna.

AKUMULĀTORA AIZSARDZĪBA PRET PĀRSLOGOJUMU

Akumulātoru bloks ir aprīkots ar pretpārslogojuma aizsardzību, kas akumulātoru pasargā no pārslogojuma un nodrošina ilgu tā kalpošanas laiku.

Ārkārtīgi augsta noslogojuma gadījumā akumulātorā elektronika

ierīci automātiski izslēdz. Lai darbu turpinātu, ierīci izslēdziet un atkal ieslēdziet. Ja ierīce neieslēdzas, iespējams, ka akumulātoru bloks ir izlādējies un ir jāuzlādē no jauna.

LATVISKI (Lettisch, LV)

LITĪJA JONU AKUMULĀTORU TRANSPORTĒŠANA

Uz litīja jonu akumulātoriem attiecas noteikumi par bīstamo kravu pārvadāšanu.

Šo akumulātoru transportēšana jāveic saskaņā ar vietējiem, valsts un starptautiskajiem normatīvajiem aktiem un noteikumiem.

- Patērētāja darbības, pārvadājot šos akumulātorus pa autoceļiem, nav reglamentētas.
- Uz litīja jonu akumulātoru komerciālu transportēšanu, ko veic ekspedīcijas uzņēmums, attiecas bīstamo kravu pārvadāšanas noteikumi. Sagatavošanas darbus un transportēšanu drīkst veikt tikai atbilstoši apmācīts personāls. Viss process jāveda profesionāli.

Veicot akumulātoru transportēšanu, jāievēro:

- Pārliecinieties, ka kontakti ir aizsargāti un izolēti, lai izvairītos no īssavienojumiem.
- Pārliecinieties, ka akumulātors iepakojumā nevar paslidēt.
- Bojātus vai tekošus akumulātorus nedrīkst transportēt.

Plašāku informāciju Jūs varat saņemt no ekspedīcijas uzņēmuma.

APKOPE

Izmantojiet tikai firmu AEG piederumus un firmas AEG rezerves daļas. Lieciet nomainīt detaļas, kuru nomaīna nav aprakstīta, kādā no firmu AEG klientu apkalpošanas servisiem. (Skat. brošūru “Garantija/klientu apkalpošanas serviss”.)

Pēc pieprasījuma, Jūsu Klientu apkalpošanas centrā vai pie Technotronic Industries GmbH, Max-Eyth-Straße 10, 71364 Winnenden, Vācijā, ir iespējams saņemt iekārtas montāžas rasējumu, iepriekš norādot iekārtas modeli un sērijas numuru, kas atrodas uz datu plāksnītes un sastāv no sešiem simboliem.

SIMBOLI



UZMANĪBU! BĪSTAMI!



Pirms mašīnai veikt jebkāda veida apkopes darbus, ir jāizņem ārā akumulātors.



Pirms sākt lietot instrumentu, lūdzu, izlasiet lietošanas pamācību.



Elektriskos aparātus, baterijas/akumulātorus nedrīkst utilizēt kopā ar majsaimniecības atkritumiem.

Elektriski aparāti un akumulātori ir jāsavāc atsevišķi un jānodod atkritumu pārstrādes uzņēmumā videi saudzīgigai utilizācijai. Jautājiet vietējā iestādē vai savam specializētajam tirgotājam, kur atrodas atkritumu pārstrādes uzņēmumi vai savākšanas punkti.



CE marķējums



Ukrainas nacionālais atbilstības simbols.



EurAsian atbilstības marķējums.

TECHINIAI DUOMENYS	GRĘŽTUVAS-ATSUKTUVAS SU AKUMULIATORIUMI	BS12 G3 Li-Ion 1,5 Ah	BS12 G3 Li-Ion 2,0 Ah	BS14 G3 Li-Ion 1,5 Ah	BS14 G3 Li-Ion 1,5 Ah	BS14 G3 Li-Ion 2,0 Ah
Produkto numeris	4522 58 02.....	4521 87 02.....	4523 02 02.....	4569 84 02.....	4521 89 02.....	000001-999999.....
000001-999999000001-999999000001-999999000001-999999000001-999999000001-999999
Gręžimo ø pliene	10 mm.....	10 mm.....	10 mm.....	10 mm.....	13 mm.....	13 mm.....
Gręžimo ø medienoje	30 mm.....	30 mm.....	30 mm.....	30 mm.....	32 mm.....	32 mm.....
Medvaržčiai (be išankstinio gręžimo)	5 mm.....	5 mm.....	5 mm.....	5 mm.....	5 mm.....	5 mm.....
Sūkių skaičius laisva eiga 1. pavara.....	350 min ⁻¹	350 min ⁻¹	400 min ⁻¹	400 min ⁻¹	400 min ⁻¹	400 min ⁻¹
Sūkių skaičius laisva eiga 2. pavara.....	1500 min ⁻¹	1500 min ⁻¹	1700 min ⁻¹	1700 min ⁻¹	1700 min ⁻¹	1700 min ⁻¹
Sukimo momentas su keičiamu akumuliatoriumi *1.....	30 Nm.....	32 Nm.....	32 Nm.....	32 Nm.....	36 Nm.....	36 Nm.....
keičiamo akumulatoriaus įtampa.....	12 V.....	12 V.....	14,4 V.....	14,4 V.....	14,4 V.....	14,4 V.....
Grąžto patrono veržimo diapazonas.....	0,8-10 mm.....	0,8-10 mm.....	0,8-10 mm.....	2,0-13 mm.....	2,0-13 mm.....	2,0-13 mm.....
Prietaiso svoris įvertintas pagal EPTA 2003/01 tyrimų metodiką	1,1 kg.....	1,1 kg.....	1,2 kg.....	1,2 kg.....	1,2 kg.....	1,2 kg.....

Informacija apie keliamą triukšmą / vibraciją

Vertės matuotos pagal EN 60 745.

Prietaisui būdingas garso slėgio lygis, koreguotas pagal A dažnio charakteristiką,

Garso slėgio lygis (Paklaida K=3dB(A)).....	84,5 dB (A).....	84,5 dB (A).....	86,5 dB (A).....	86,5 dB (A).....	86,5 dB (A).....	86,5 dB (A).....
Garso galios lygis (Paklaida K=3dB(A)).....	95,5 dB (A).....	95,5 dB (A).....	97,5 dB (A).....	97,5 dB (A).....	97,5 dB (A).....	97,5 dB (A).....

Nešioti klausos apsaugines priemones!

Bendroji svyravimų reikšmė (trijų krypčių vektorių suma), nustatyta remiantis EN 60745.

Vibravimų emisijos reikšmė

Metalo gręžimas a _h	0,5 m/s ²	0,5 m/s ²	1,2 m/s ²	1,2 m/s ²	1,2 m/s ²	1,2 m/s ²
Paklaida K=.....	1,5 m/s ²	1,5 m/s ²	1,5 m/s ²	1,5 m/s ²	1,5 m/s ²	1,5 m/s ²
Prisukimas varžtais a _n	0,7 m/s ²	0,7 m/s ²	2,0 m/s ²	2,0 m/s ²	2,0 m/s ²	2,0 m/s ²
Paklaida K=.....	1,5 m/s ²	1,5 m/s ²	1,5 m/s ²	1,5 m/s ²	1,5 m/s ²	1,5 m/s ²

DĖMESIO

Instrukcijoje nurodyta svyravimų ribinė vertė yra išmatuota remiantis standartu EN 60745; ji gali būti naudojama keliems elektriniams instrumentams palyginti. Ji taikoma ir laikinai įvertinti svyravimų apkrovą.

Nurodyta svyravimų ribinė vertė yra taikoma pagrindinėse elektrinio instrumento naudojimo srityse. Svyravimų ribinė vertė gali skirtis naudojant elektrinį instrumentą kitose srityse, papildomai naudojant netinkamus elektrinius instrumentus arba juos nepakankamai techniškai prižiūrint. Dėl to viso darbo metu gali žymiai padidėti svyravimų apkrova.

Siekiant tiksliai nustatyti svyravimų apkrovą, būtina atsižvelgti ir į laikotarpį, kai įrenginys yra išjungtas arba įjungtas, tačiau faktiškai nenaudojamas. Dėl to viso darbo metu gali žymiai sumažėti svyravimų apkrova.

Siekiant apsaugoti vartotojus nuo svyravimo įtakos naudojamos papildomos saugos priemonės, pavyzdžiui, elektrinių darbo instrumentų techninė priežiūra, rankų šilumos palaikymas, darbo procesų organizavimas.

⚠️ ĮSPĖJIMAS! Perskaitykite visus saugos nurodymus ir instrukcijas. Jei nepaisysite žemiau pateiktų saugos nuorodų ir reikalavimų, gali trenkti elektros smūgis, kilti gaisras ir/arba galite sunkiai susižaloti arba sužaloti kitus asmenis.
Įsisaugokite šias saugos nuorodas ir reikalavimus, kad ir ateityje galėtumėte jais pasinaudoti.

⚠️ GRĄŽTAMS SKIRTI SAUGUMO NURODYMAI

Naudokite į prietaiso komplektaciją įeinančias papildomas rankenas. Nesuvaldžius prietaiso galima susižeisti.

Dirbdami laikykite prietaisą už izoliuotų vietų, kuriose pjovimo įrenginys pats galėtų liesti paslėptus laidus. Dėl kontakto su laidininku, kuriuo teka elektros srovė, metalinėse prietaiso dalyse atsiranda atampa ir naudotojas gali gauti elektros smūgą.

⚠️ SUKTUVAMS SKIRTI SAUGUMO NURODYMAI

Prietaisą laikykite ant izoliuoto guminio paviršiaus, jei atliekate darbus, kurių metu sraigtais gali pasiekti sulenktas srovės tiekimo linijas. Sraigtai prisilietus prie įtampa tiekiančių linijų gali įsikrauti prietaiso dalys ir įvykti elektros smūgis.

KITI SAUGUMO IR DARBO NURODYMAI

Dėvėkite apsaugines priemones. Dirbdami su mašina visada užsidėkite apsauginius akinus. Rekomenduotina dėvėti apsaugines priemones: apsaugos nuo dulkių respiratorius, apsaugines pirštines, kietus batus neslidžiais padais, šalną ir klausos apsaugos priemones.

Darbo metu susidarančios dulkės yra dažnai kenksmingos sveikatai ir todėl turėtų nepatekti į organizmą. Dėvėti tinkamą apsauginę kaukę nuo dulkių.

Negalima apdirbti medžiagų, dėl kurių galimi sveikatos pažeidimai (pvz., asbesto).

Blokuojant įstatomąjį įrankį būtina išjungti prietaisą! Neįjunkite prietaiso, kol įstatomasis įrankis yra užblokuotas; galimas grįžtamasis smūgis su dideliu sukimo momentu. Atsižvelgdami į saugumo nurodymus, nustatykite ir pašalinkite įstatomojo įrankio blokavimo priežastį.

Galimos priežastys:

- Susidariusios apdirbimo ruošinio briaunos
- Apdirbamos medžiagos pratrūkimas
- Elektros įrankio perkrova

Nekiškite rankų į veikiančią mašiną.

Naudojamas įstatomasis įrankis gali įkaisti.

DĖMESIO! Pavojus nusidėginti

- keičiant įrankį
- padedant prietaisą

Draudžiama išiminti drožles ar nuopjovas, įrenginiui veikiančiam.

Dirbdami sienoje, lubose arba grindyse, atkreipkite dėmesį į elektros laidus, dujų ir vandens vamzdžius.

Ruošinį užfiksuokite įtempimo įrenginiu. Neužfiksuoti ruošiniai gali sunkiai sužaloti ir būti pažeidimų priežastimi.

Prieš atlikdami bet kokius darbus įrenginyje, išimkite keičiamą akumuliatorių.

Sunaudotų keičiamų akumuliatorių nedeginkite ir nemeskite į buitines atliekas. „AEG“ siūlo tausojantį aplinką sudėvėtų keičiamų akumuliatorių tvarkymą, apie tai prekybos atstovo.

Keičiamų akumuliatorių nelaikykite kartu su metaliniais daiktais (trumpojo jungimo pavojus).

Keičiamus L1215G3, L1220G3, L1415G3, L1420G3 sistemos akumuliatorių kraitiklius AL1214G3 sistemos įkroviklius. Nekreukite kitų sistemų akumuliatorių.

Keičiamų akumuliatorių ir įkroviklių nelaikykite atvirai. Laikykite tik sausoje vietoje. Saugokite nuo drėgmės.

Ekstremalių apkrovų arba ekstremalios temperatūros poveikyje iš keičiamų akumuliatorių gali ištėkėti akumuliatoriaus skystis. Išsitiesus akumuliatoriaus skysčiu, tuoj pat nuplaukite vandeniu su muilu. Patekus į akis, tuoj pat ne trumpiau kaip 10 minučių gausiai skalaukite vandeniu ir tuoj pat kreipkitės į gydytoją.

Įspėjimas! Siekiami išvengti trumpojo jungimo sukeliama gaisro pavojus, sužalojimų arba produkto pažeidimų, neikiškite įrankio, keičiamo akumuliatoriaus arba įkroviklio į skysčius ir pasirūpinkite, kad į prietaisus arba akumuliatorius nepatektų jokių skysčių. Koroziją sukeliantys arba laidūs skysčiai, pvz., sūrus vanduo, tam tikri chemikaliai ir balikliai arba produktai, kurių sudėtyje yra baliklių, gali sukelti trumpąjį jungimą.

NAUDOJIMAS PAGAL PASKIRTĮ

Akumuliatorinį suktuvą-gręžtuvą galima universaliai naudoti gręžimui ir sukimui nepriklausomai nuo elektros tinklo.

Šį prietaisą leidžiama naudoti tik pagal nurodytą paskirtį.

CE ATITIKTIES PAREIŠKIMAS

Remiantis bendrais atsakomybės reikalavimais pareiškiamas, jog skyrinyje „Techniniai duomenys“ aprašytas produktas atitinka visus toliau pateiktų juridinių direktyvų reikalavimus: 2011/65/EU (RoHS), 2014/30/ES, 2006/42/EB ir kitus su jomis susijusius norminius dokumentus:

EN 60745-1:2009 + A11:2010
EN 60745-2-1:2010
EN 60745-2-2:2010
EN 55014-1:2006 + A1:2009 + A2:2011
EN 55014-2:2015
EN 50581:2012

Winnenden, 2017-09-25



Alexander Krug
Managing Director



Įgalios parengti techninius dokumentus.

Techtronic Industries GmbH
Max-Eyth-Straße 10
71364 Winnenden
Germany

AKUMULIATORIAI

Ilgesnį laiką nenaudotus keičiamus akumuliatorius prieš naudojimą įkraukite.

Aukštesnė nei 50°C temperatūra mažina keičiamų akumuliatorių galia. Venkite ilgesnio saulės ar šilumos šaltinių poveikio.

Įkroviklio ir keičiamo akumuliatoriaus jungiamieji kontaktai visada turi būti švarūs.

Pasinaudoję prietaisu, visiškai įkraukite akumuliatorių, kad prietaisas veiktų optimaliai ilgiai.

Siekiant užtikrinti kuo ilgesnį baterijos tarnavimo laiką, reikėtų ją po atlikto įkrovimo iškart išimti iš įkroviklio.

Baterija laikant ilgiau nei 30 dienų, būtina atkreipti dėmesį į šias nuorodas: bateriją laikyti sausoje aplinkoje, esant apie 27 °C temperatūrai. Baterijos įkrovimo lygis turi būti nuo 30 % iki 50 %. Baterija pakartotinai turi būti įkraunama kas 6 mėnesius.

APSAUGA NUO AKUMULIATORIAUS PERKROVOS

Akumuliatorių blokas turi apsaugą nuo perkrovos, kuri leidžia išvengti perkrovų ir užtikrina jo eksploatacijos ilgaamžiškumą. Esant didelėms apkrovoms, akumuliatoriaus elektroninė sistema prietaisą išjungia automatiškai. Kad prietaisas dirbtų toliau, reikia jį išjungti ir vėl įjungti. Jeigu prietaisas neįsijungia, esant galimybei,

akumuliatoriaus komplektą reikia iškrauti ir įkroviklyje iš naujo įkrauti.

LIČIO JONŲ AKUMULIATORIŲ PERVEŽIMAS

Ličio jonų akumuliatoriams taikomos įstatyminės nuostatos dėl pavojingų krovinių pervežimų.

Šios akumuliatorių pervežti būtina laikantis vietinių, nacionalinių ir tarptautinių direktyvų ir nuostatų.

- Naudotojai šios akumuliatoriaus gali naudoti savo transporte be jokių kitų sąlygų.
- Už komercinį ličio jonų akumuliatorių pervežimą atsako ekspedicijos įmonė pagal nuostatas dėl pavojingų krovinių pervežimo. Pasiruošimo išsiųsti ir pervežimo darbus gali atlikti tik atitinkamai išmokyti asmenys. Visas procesas privalo būti prižiūrimas.

Pervežant akumuliatorių būtina laikytis šių punktų:

- Siekiant išvengti trumpųjų jungimų, įsitikinkite, kad kontaktai yra apsaugoti ir izoliuoti.
- Atkreipkite dėmesį, kad akumuliatoriaus pakuočių viduje neslidinėtų.
- Draudžiama pervežti pažeistus arba tekančius akumuliatorius.

Dėl detalesnių nurodymų kreipkitės į savo ekspedicijos įmonę.

TECHNINIS APTARNAVIMAS

Naudokitės tik „AEG“ priedus ir „AEG“ atsargines dalis. Dalis, kurių keitimas neaprašytas, leidžiama keisti tik „AEG“ klientų aptarnavimo skyriams (žr. garantiją/klientų aptarnavimo skyrių adresu brošiūroje).

Esant poreikiui, nurodžius mašinos modelį ir šešiaženklį numerį, esantį ant specifikacijų lentelės, klientų aptarnavimo centre arba tiesiogiai „Techtronic Industries GmbH“, Max-Eyth-Str. 10, 71364 Winnenden, Vokietija, galite užsakyti išplėstinį prietaiso bręzinį.

SIMBOLIAI



DĖMESIO! ĮSPĖJIMAS! PAVOJUS!



Prieš atlikdami bet kokius darbus įrenginyje, išimkite keičiamą akumuliatorių.



Prieš pradėdami dirbti su prietaisu, atidžiai perskaitykite jo naudojimo instrukciją.



Elektras prietaisu, baterijų/akumuliatorių šalinai kartu su buitineis atliekomis negalima. Elektros prietaisus ir akumuliatorius reikia surinkti atskirai ir atiduoti perdirbimo įmonei, kad būtų pašalinti aplinkai saugiu būdu. Vietos valdžios institucijose arba specializuotose prekybos vietose pasidomėkite apie perdirbimo ir surinkimo centrus.



CE ženklas



Nacionalinė atitikties žyma Ukrainoje



„EurAsian“ atitikties ženklas.

TEHNILISED ANDMED	JUHTMETA PUUR	BS12 G3	BS12 G3	BS14 G3	BS14 G3	BS14 G3
		Li-Ion 1,5 Ah	Li-Ion 2,0 Ah	Li-Ion 1,5 Ah	Li-Ion 1,5 Ah	Li-Ion 2,0 Ah
Tootmisnumber	4522 58 02	4521 87 02	4523 02 02	4569 84 02	4521 89 02	4521 89 02
.....	000001-999999	000001-999999	000001-999999	000001-999999	000001-999999	000001-999999
Puurimislabimõõt terases	10 mm	10 mm	10 mm	10 mm	13 mm	13 mm
Puuri ø puudis	30 mm	30 mm	30 mm	30 mm	32 mm	32 mm
Puidukruvid (eelpuurimiseta)	5 mm	5 mm	5 mm	5 mm	5 mm	5 mm
Pöörlemiskiirus tühjooksul 1. käigul.....	350 min ⁻¹	350 min ⁻¹	400 min ⁻¹	400 min ⁻¹	400 min ⁻¹	400 min ⁻¹
Pöörlemiskiirus tühjooksul 2. käigul.....	1500 min ⁻¹	1500 min ⁻¹	1700 min ⁻¹	1700 min ⁻¹	1700 min ⁻¹	1700 min ⁻¹
Pöördemoment koos vahetatava akuga *1.....	30 Nm	32 Nm	32 Nm	32 Nm	36 Nm	36 Nm
Vahetatava aku pinge	12 V	12 V	14,4 V	14,4 V	14,4 V	14,4 V
Puuripadruni pingutusvahemik	0,8-10 mm	0,8-10 mm	0,8-10 mm	2,0-13 mm	2,0-13 mm	2,0-13 mm
Kaal vastavalt EPTA-protseduurile 01/2003 (.....	1,1 kg	1,1 kg	1,2 kg	1,2 kg	1,2 kg	1,2 kg

Mära / Vibratsiooni andmed
Mööteväärtused on kindlaks tehtud vastavalt normile EN 60 745.

Seadme A-filtriiga hinnatud helirõhutase on tüüpiliselt Helirõhutase (Määramatus K=3dB(A))	84,5 dB (A)	84,5 dB (A)	86,5 dB (A)	86,5 dB (A)	86,5 dB (A)
Helivõimsuse tase (Määramatus K=3dB(A))	95,5 dB (A)	95,5 dB (A)	97,5 dB (A)	97,5 dB (A)	97,5 dB (A)

Kandke kaitseks kõrvaklapp!

Vibratsiooni koguväärtus (kolme suuna vektorsumma) mõõdetud EN 60745 järgi.

Vibratsiooni emissiooni väärtus Metallil puurimine a _{0,0}	0,5 m/s ²	0,5 m/s ²	1,2 m/s ²	1,2 m/s ²	1,2 m/s ²
Määramatus K=.....	1,5 m/s ²	1,5 m/s ²	1,5 m/s ²	1,5 m/s ²	1,5 m/s ²
Kruvimine a.....	0,7 m/s ²	0,7 m/s ²	2,0 m/s ²	2,0 m/s ²	2,0 m/s ²
Määramatus K=.....	1,5 m/s ²	1,5 m/s ²	1,5 m/s ²	1,5 m/s ²	1,5 m/s ²

TÄHELEPANU

Antud juhendis toodud võnketase on mõõdetud EN 60745 standardile vastava mõõtesüsteemiga ning seda võib kasutada erinevate elektriseadmete omavaheliseks võrdlemiseks. Antud näitaja sobib ka esmaseks võnkekoormuse hindamiseks.

Antud võnketase kehtib elektriseadme kasutamisel sihtotstarbeks. Kui elektriseadet kasutatakse muudel otstarvetel, muude tööriistadega või seda ei hooldata piisavalt võib võnketase sihttoodust erineda. Eeltoodu võib võnketaset märkimisväärselt tõsta terves töökeskkonnas.

Võnketaseme täpseks hindamiseks tuleks arvestada ka aega, mil seade on välja lülitatud või on küll sisse lülitatud, kuid ei ole otseselt kasutuses. See võib märgatavalt vähendada kogu töökeskkonna võnketaset.

Rakendage spetsiaalseid ettevaatusabinõusid töötajate suhtes, kes puutuvad töö käigus palju kokku vibratsiooniga. Nendeks abinõudeks võivad olla, näiteks: elektri- ja tööseadmete korraline hooldus, käte soojendamine, töövoo parem organiseerimine.

⚠ HOIATUS! Lugege kõiki ohutusjuhiseid ja korraldusi. Ohutusnõuete ja juhiste eiramise tagajärjeks võib olla elektrilöök, tulekahju ja/või raske vigastused.

Hoidke kõik ohutusnõuded ja juhised edasiseks kasutamiseks hoolikalt alles.

⚠ PUURMASINATE OHUTUSJUHISED

Kasutage seadmega koos tarnitud lisakäepidemeid. Kontrolli kaotamine võib põhjustada vigastusi.

Tööde puhul, kus lõikeseaded võivad minna vastu peidetud elektrijuhmeid, hoidke kinni seadme isoleeritud käepidemetest. Kokkupuude pingele alla oleva juhtmega võib seada seadme enda metallosad pingele alla ja põhjustada elektrilöögi.

⚠ KRUUVITSATE OHUTUSJUHISED

Hoidke käed seadme isoleeritud käepidemedel, kui te teostate töid, mille juures kruvi võib sattuda varjatud voolujuhtmestele. Kruvi kontakt pinget juhtiva juhtmega võib panna metallist seadme osad pingele alla ja põhjustada elektrilöögi.

EDASISED OHUTUS- JA TÖÖJUHISED

Kasutada kaitsevarustust. Masina töötmisel kanda alati kaitseprille. Kaitseriistatena soovitatatakse kasutada tolumumaski kaitsekindaid, kinniseid ja libisemisvastase tallaga jalanõusid, kiivrit ja kuulmisteede kaitset.

Töö ajal tekkiv tolm on sageli tervistkahjustav ning ei tohiks sattuda organismi. Kanda sobivat kaitsemaski.

Töödelda ei tohi materjale, millest lähtub oht tervisele (nt asbest).

Palun lülitage seade rakendustööriista blokeerumise korral kohe välja! Ärge lülitage seadet sisse tagasi, kuni rakendustööriist on blokeeritud; seejuures võib kõrge reaktsioonimomendiga

tagasilöök tekkida. Tehke ohutusjuhiseid arvesse võttes kindlaks ja kõrvaldage rakendustööriista blokeerumise põhjus.

Selle võimalikeks põhjusteks võivad olla:

- viltu asetusmine töödeldavas toorikus
- töödeldava materjali läbimurdumine
- elektritööriista ülekooormamine

Ärge sisestage jäsemeid töötavasse masinasse.

Rakendustööriist võib kasutamise ajal kuumaks minna.

TÄHELEPANU! Põletusohu

- tööriista vahetamisel
- seadme ärrapanemisel

Puru ega pilpaid ei tohi eemaldada masina töötamise ajal.

Seina, lae või põrandat tööde puhul pidage silmas elektrijuhmeid, gaasi- ja veetorusid.

Kinnitage toorik kinnipingutusseadisega. Kinnitamata toorikud võivad raskesti vigastusi ja kahjustusi põhjustada.

Enne kõiki töid masina kallal võtke vahetatav aku välja.

Ärge visake tarvitatud vahetatavaid akusid tulle ega olmeprügisse.

AEG pakub vanade akude keskkonnanõuetele vastavaid lahendusi; palun küsige oma erialaselt tarnijalt.

Ärge säilitage vahetatavaid akusid koos metalliesemetega (lühiseohu).

Laadige L1215G3, L1220G3, L1415G3, L1420G3 vahetatavaid akusid ainult süsteemi AL1214G3 laadijatega. Ärge laadige nendega teiste süsteemide akusid.

Ärge avage vahetatavaid akusid ega laadijaid ning ladustage neid ainult kuivades ruumides. Kaitske niiskuse eest.

Äärmuslikul koormusel või äärmuslikul temperatuuril võib kahjustatud vahetatavat akust akudevälgi välja voolata. Akudeväljuga kokkupuutumise korral peske kohe vee ja seebiga.

Silma sattumise korral loputage kiiresti põhjalikult vähemalt 10 minutit ning pöörduge viivitamatult arsti poole.

Hoiatus! Lühisest põhjustatud tuleohu, vigastuste või toote kahjustuste vältimiseks ärge kastke tööriista, vahetusakut ega laadimisestadet vedelikku ning jälgige, et vedelikke ei tungiks seadmesse ega akusse. Korrodeeruvad või elektrit juhtivad vedelikud, nagu soolvesi, teatud kemikaalid ja pleegitusained või pleegitusaineid sisaldavad tooted, võivad põhjustada lühisi.

KASUTAMINE VASTAVALT OTSTARBELE

Akuteell-kruvikeerajat saab sõltumata võrguühendusest universaalselt rakendada puurimiseks ja kruvide keeramiseks.

Antud seadet tohib kasutada ainult vastavalt äranäidatud otstarbele.

EÜ VASTAVUSVAHDUS

Me deklareerime ainuisikuliselt vastutades, et lõigus „Tehnilised andmed“ kirjeldatud toode vastab direktiivide 2011/65/EU (RoHS), 2014/30/EU, 2006/42/EÜ kõigile olulisele tähtsusega eeskirjadele ning järgmistele harmoniseeritud normatiivsetele dokumentidele:

EN 60745-1:2009 + A11:2010
EN 60745-2-1:2010
EN 60745-2-2:2010
EN 55014-1:2006 + A1:2009 + A2:2011
EN 55014-2:2015
EN 50581:2012

Winnenden, 2017-09-25



Alexander Krug
Managing Director



On volitatud koostama tehnilist dokumentatsiooni.

Techtronic Industries GmbH
Max-Eyth-Straße 10
71364 Winnenden
Germany

AKUD

Pikemat aega mittekasutatud akusid laadige veel enne kasutamist.

Temperatuur üle 50 °C vähendab vahetatava aku töövoimet. Vältige pikemat soojenemist päikese või kütteseadme mõjul.

Hoidke laadija ja vahetatava aku ühenduskontaktid puhtad.

Patreide optimaalse eluea tagamiseks, pärast kasutamist täielikult lae pateride plokki.

Akud tuleks võimalikult pika kasutusea saavutamiseks pärast täislaadimist laadijast välja võtta.

Aku ladustamisel üle 30 päeva:

Ladustage akut kuivas kohas u 27°C juures.

Ladustage akut u 30-50% laetusseisundis.

Laadige aku iga 6 kuu tagant täis.

AKU KOORMUSKAITSE

Akuplokk on varustatud koormuskaitsega, mis kaitseb akut üleliigse koormuse eest ning kindlustab selle pika eluea. Äärmiselt suurest koormusest annab märku vilkuv töötüli. Kui koormust ei vähendata, siis lülitab masin ennast automaatselt välja. Edasi töötamiseks tuleb masin välja ja uuesti sisse lülitada. Kui masin ei lähe uuesti tööle on akuplokk nähtavasti tühi ja tuleks laadimisestadmega uuesti täis laadida.

LIITIUMIOONAKUDE TRANSPORTIMINE

Liitiumioonakud on allutatud ohtlike ainete transportimisega seonduvatele õigusaktidele.

Nende akude transportimine peab toimuma kohalikest, siseriiklikest ja rahvusvahelistest eeskirjadest ning määrustest kinni pidades.

- Tarbijad tohivad neid akusid edasiste piiranguteta tänavatranspordiga.

- Liitiumioonakude kommentstransport ekspedeerimisettevõtete kaudu on allutatud ohtlike ainete transportimisega seonduvatele õigusaktidele. Tarne-ettevalmistusi ja transporti tohivad teostada eranditult vastavalt koostatud isikud. Kogu protsessi tuleb asjatundlikult jälgida.

Akude transportimisel tuleb järgida järgmisi punkte:

- Tehke kindlaks, et kontaktid on lühiste vältimiseks kaitstud ja isoleeritud.
- Pöörake tähelepanu sellele, et akupakk ei saaks pakendis nihkuda.
- Kahjustatud või välja voolanud akusid ei tohi kasutada.

Pöörduge edasiste juhiste saamiseks ekspedeerimisettevõtte poole.

HOOLDUS

Kasutage ainult AEG tarvikuid ja AEG tagavaraosi. Detailid, mille välj vahetamist pole kirjeldatud, laske välja vahetada AEG klienditeeninduspunkti (vaadake brošüüri garantii / klienditeeninduste aadressid).

Vajadusel saab nõuda seadme plahvatusjoonise võimsussildil oleva masinatüübi ja kuuekohalise numbrilisel klienditeeninduspunkti või vahetult firmalt Techtronic Industries GmbH, Max-Eyth-Straße 10, 71364 Winnenden, Germany.

SÜMBOLID



ETTEVAATUST! TÄHELEPANU! OHUD!



Enne kõiki töid masina kallal võtke vahetatav aku välja.



Palun lugege enne käikluskmiski kasutamist juhend hoolikalt läbi.



Elektriseadmeid, patareisiid/akusid ei tohi utiliseerida koos majapidamisprügiga. Elektriseadmed ja akud tuleb eraldi kokku koguda ning kõrvaldada keskkonnasõbralikult moel töötlemiskeskusesse. Küsige infot jäätmekäitlusajamade ja kogumispunktide kohta oma kohalike ametnike või edasimüüja käest.



CE-märk



Ukraina riiklik vastavusmärk



Euraasia vastavusmärk.

ТЕХНИЧЕСКИЕ ДАННЫЕ АКК. ДРЕЛЬ/ШУРУПОВЕРТ	BS12 G3	BS12 G3	BS14 G3	BS14 G3	BS14 G3
	Li-Ion 1,5 Ah	Li-Ion 2,0 Ah	Li-Ion 1,5 Ah	Li-Ion 1,5 Ah	Li-Ion 2,0 Ah
Серийный номер изделия	4522 58 02.....	4521 87 02.....	4523 02 02.....	4569 84 02.....	4521 89 02.....
Производительность сверления в стали.....	10 mm.....	10 mm.....	10 mm.....	10 mm.....	13 mm.....
Производительность сверления в дереве.....	30 mm.....	30 mm.....	30 mm.....	30 mm.....	32 mm.....
Шурупы для дерева (без предварительного засверливания).....	5 mm.....	5 mm.....	5 mm.....	5 mm.....	5 mm.....
Число оборотов без нагрузки (об/мин) 1-ая передача.....	350 min ⁻¹	350 min ⁻¹	400 min ⁻¹	400 min ⁻¹	400 min ⁻¹
Число оборотов без нагрузки (об/мин) 2-я скорость.....	1500 min ⁻¹	1500 min ⁻¹	1700 min ⁻¹	1700 min ⁻¹	1700 min ⁻¹
Момент затяжки с аккумулятором *1.....	30 Nm.....	32 Nm.....	32 Nm.....	32 Nm.....	36 Nm.....
Вольтаж аккумулятора.....	12 V.....	12 V.....	14,4 V.....	14,4 V.....	14,4 V.....
Диапазон раскрытия патрона.....	0,8-10 mm.....	0,8-10 mm.....	0,8-10 mm.....	2,0-13 mm.....	2,0-13 mm.....
Вес согласно процедуре EPTA 01/2003.....	1,1 kg.....	1,1 kg.....	1,2 kg.....	1,2 kg.....	1,2 kg.....

Информация по шумам / вибрации

Значения замерялись в соответствии со стандартом EN 60 745.

Обычное низкочастотное звуковое давление,

производимое инструментом, составляет

Уровень звукового давления (Небезопасность K=3dB(A))..... 84,5 dB (A)..... 84,5 dB (A)..... 86,5 dB (A)..... 86,5 dB (A)..... 86,5 dB (A)

Уровень звуковой мощности (Небезопасность K=3dB(A))..... 95,5 dB (A)..... 95,5 dB (A)..... 97,5 dB (A)..... 97,5 dB (A)..... 97,5 dB (A)

Пользуйтесь приспособлениями для защиты слуха.

Общие значения вибрации (векторная сумма трех направлений) определены в соответствии с EN 60745.

Значение вибрационной эмиссии

Сверление в металле a_{h,d}..... 0,5 m/s²..... 0,5 m/s²..... 1,2 m/s²..... 1,2 m/s²..... 1,2 m/s²

Небезопасность K=..... 1,5 m/s²..... 1,5 m/s²..... 1,5 m/s²..... 1,5 m/s²..... 1,5 m/s²

Завинчивание a_h..... 0,7 m/s²..... 0,7 m/s²..... 2,0 m/s²..... 2,0 m/s²..... 2,0 m/s²

Небезопасность K=..... 1,5 m/s²..... 1,5 m/s²..... 1,5 m/s²..... 1,5 m/s²..... 1,5 m/s²

ВНИМАНИЕ

Указанный в настоящем руководстве уровень вибрации измерен в соответствии с технологией измерения, установленной стандартом EN 60745 и может использоваться для сравнения электроинструментов друг с другом. Он также подходит для предварительной оценки вибрационной нагрузки.

Указанный уровень вибрации представляет основные виды использования электроинструмента. Но если электроинструмент используется для других целей, используемый инструмент отклоняется от указанного или технического обслуживания было недостаточным, то уровень вибрации может отклоняться от указанного. В этом случае вибрационная нагрузка в течение всего периода работы значительно увеличивается.

Для точной оценки вибрационной нагрузки необходимо также учитывать время, в течение которого прибор отключен или включен, но фактически не используется. В этом случае вибрационная нагрузка в течение всего периода работы может существенно уменьшиться.

Установите дополнительные меры безопасности для защиты пользователя от воздействия вибрации, например: техническое обслуживание электроинструмента и используемого инструмента, поддержание рук в теплом состоянии, организация рабочих процессов.

⚠ ПРЕДУПРЕЖДЕНИЕ! Прочтите все указания по безопасности и инструкции.

Улучшения, допущенные при не соблюдении указаний и инструкций по технике безопасности, могут стать причиной электрического поражения, пожара и тяжелых травм.

Сохраняйте эти инструкции и указания для будущего использования."

⚠ УКАЗАНИЯ ПО ТЕХНИКЕ БЕЗОПАСНОСТИ ДЛЯ ДРЕЛЕЙ

Используйте вспомогательные рукоятки, поставляемые вместе с инструментом. Потеря контроля может стать причиной травмы.

Если Вы выполняете работы, при которых режущий инструмент может зацепить скрытую электропроводку кабель, инструмент следует держать за специально предназначенные для этого изолированные поверхности. Контакт с ведущими напряжением проводами ставит металлические части прибора под напряжение и ведет к поражению электрическим током.

⚠ УКАЗАНИЯ ПО ТЕХНИКЕ БЕЗОПАСНОСТИ ДЛЯ ШУРУПОВЕРТОВ

Если Вы выполняете работы, при которых можно зацепить скрытую электропроводку, инструмент следует держать за специально предназначенные для этого изолированные поверхности. Контакт с токоведущим проводом может ставить под напряжение металлические части инструмента, а также приводить к удару электрическим током.

ДОПОЛНИТЕЛЬНЫЕ УКАЗАНИЯ ПО БЕЗОПАСНОСТИ И РАБОТЕ

Пользоваться средствами защиты. Работать с инструментом всегда в защитных очках. Рекомендуется спецодежда: пылезащитная маска, защитные перчатки, прочная и нескользящая обувь, каска и наушники.

Пыль, возникающая при работе данным инструментом, может нанести вред здоровью. Не следует допускать её попадания в организм. Надевайте противопылевую респиратор.

Запрещается обрабатывать материалы, которые могут нанести вред здоровью (напр., асбест).

При блокировании используемого инструмента немедленно выключить прибор! Не включайте прибор до тех пор, пока используемый инструмент заблокирован, в противном случае может возникнуть отдача с высоким реактивным моментом. Определите и устраните причину блокирования используемого инструмента с учетом указаний по безопасности.

Возможными причинами могут быть:

- перекос заготовки, подлежащей обработке
- разрушение материала, подлежащего обработке
- перегрузка электроинструмента

Не прикасаться к работающему станку.

Используемый инструмент может нагреваться во время применения.

ВНИМАНИЕ! Опасность получения ожога

- при смене инструмента
- при укладывании прибора

Не убирайте опилки и обломки при включенном инструменте.

При работе в стенах, потолках или полу следите за тем, чтобы не повредить электрические кабели или водопроводные трубы.

Зафиксировав вашу заготовку с помощью зажимного приспособления. Незафиксированные заготовки могут привести к тяжелым травмам и повреждениям.

Выньте аккумулятор из машины перед проведением с ней каких-либо манипуляций. Не выбрасывайте использованные аккумуляторы вместе с домашним мусором и не сжигайте их. Дистрибьюторы компании AEG предлагают восстановление старых аккумуляторов, чтобы защитить окружающую среду.

Не храните аккумуляторы вместе с металлическими предметами во избежание короткого замыкания.

Для зарядки аккумуляторов модели L1215G3, L1220G3, L1415G3, L1420G3 используйте только зарядным устройством AL1214G3. Не заряжайте аккумуляторы других систем.

Никогда не вскрывайте аккумуляторы или зарядные устройства и храните их только в сухих помещениях. Следите, чтобы они всегда были сухими.

Аккумуляторная батарея может быть повреждена и дать течь под воздействием чрезмерных температур или повышенной нагрузки. В случае контакта с аккумуляторной кислотой немедленно промойте место контакта мылом и водой. В случае попадания кислоты в глаза промойте глаза в течении 10 минут и немедленно обратитесь за медицинской помощью.

Предупреждение! Для предотвращения опасности пожара в результате короткого замыкания, травм и повреждения изделия не опускайте инструмент, сменный аккумулятор или зарядное устройство в жидкости и не допускайте попадания жидкостей внутрь устройств или аккумуляторов. Коррозионные и проводящие жидкости, такие как соленый раствор, определенные химикаты, отбеливающие средства или содержащие их продукты, могут привести к короткому замыканию.

ИСПОЛЬЗОВАНИЕ

Аккумуляторная дрель/шурупверт сконструирована для простого сверления и закручивания шурупов в местах, необеспеченных электропитанием.

Не пользуйтесь данным инструментом способом, отличным от указанного для нормального применения.

ДЕКЛАРАЦИЯ О СООТВЕТСТВИИ СТАНДАРТАМ ЕС

Мы заявляем под собственную ответственность, что изделие, описанное в разделе „Технические характеристики“, соответствует всем важным предписаниям Директивы 2011/65/EU (Директива об ограничении применения опасных веществ в электрических и электронных приборах), 2014/30/EU, 2006/42/EC и приведенным далее гармонизированным нормативным документам:

EN 60745-1:2009 + A11:2010
EN 60745-2-1:2010
EN 60745-2-2:2010
EN 55014-1:2006 + A1:2009 + A2:2011
EN 55014-2:2015
EN 50581:2012

Winnenden, 2017-09-25

Alexander Krug

Alexander Krug
Managing Director



Уполномочен на составление технической документации.

Techtronic Industries GmbH
Max-Eyth-Straße 10
71364 Winnenden
Germany

АККУМУЛЯТОР

Перед использованием аккумулятора, которым не пользовались некоторое время, его необходимо зарядить.

Температура выше 50°C снижает работоспособность аккумуляторов. Избегайте продолжительного нагрева или прямого солнечного света (риск перегрева).

Контакты зарядного устройства и аккумуляторов должны содержаться в чистоте.

Для обеспечения оптимального срока службы аккумулятора необходимо полностью заряжать после использования прибора.

Для достижения максимально возможного срока службы аккумуляторы после зарядки следует вынимать из зарядного устройства.

При хранении аккумулятора более 30 дней: Храните аккумулятор при 27°C в сухом месте. Храните аккумулятор с зарядом примерно 30% - 50%. Каждые 6 месяцев аккумулятор следует заряжать.

ЗАЩИТА АККУМУЛЯТОРА ОТ ПЕРЕГРУЗКИ

Аккумуляторный блок оснащен предохранителем от перегрузки, который защищает аккумулятор от перегрузки и обеспечивает долгий срок службы.

При чрезмерно сильных нагрузках электроника аккумулятора автоматически отключит машину. Для продолжения работы машину выключить и снова включить. Если машина не включается, то, возможно, разрядился аккумуляторный блок и следует зарядить его в зарядном устройстве.

ТРАНСПОРТИРОВКА ЛИТИЙ-ИОННЫХ АККУМУЛЯТОРОВ

Литий-ионные аккумуляторы в соответствии с предписаниями закона транспортируются как опасные грузы.

Транспортировка этих аккумуляторов должна осуществляться с соблюдением местных, национальных и международных предписаний и положений.

- Эти аккумуляторы могут производиться по улице потребителем без дальнейших обязательств.
- При коммерческой транспортировке литий-ионных аккумуляторов экспедиторскими компаниями действуют положения, касающиеся транспортировки опасных грузов. Подготовка к отправке и транспортировка должны производиться исключительно специально обученными лицами. Весь процесс должен находиться под контролем специалиста.

При транспортировке аккумуляторов необходимо соблюдать следующие пункты:

- Убедитесь, что контакты защищены и изолированы во избежание короткого замыкания.
- Следите за тем, чтобы аккумуляторный блок не соскользнул внутри упаковки.
- Транспортировка поврежденных или протекающих аккумуляторов запрещена.

За дополнительными указаниями обратитесь к своему экспедитору.

ОБСЛУЖИВАНИЕ

Пользуйтесь аксессуарами и запасными частями AEG. В случае возникновения необходимости в замене, которая не была описана, обращайтесь в один из сервисных центров по обслуживанию электроинструментов AEG (см. список сервисных организаций).

При необходимости, у сервисной службы или непосредственно у фирмы Techtronic Industries GmbH, Max-Eyth-Straße 10, 71364, Винненден, Германия, можно запросить сборочный чертеж устройства, сообщив его тип и шестизначный номер, указанный на фирменной табличке.

СИМВОЛЫ



ВНИМАНИЕ! ПРЕДУПРЕЖДЕНИЕ! ОПАСНОСТЬ!



Выньте аккумулятор из машины перед проведением с ней каких-либо манипуляций.



Пожалуйста, внимательно прочтите инструкцию по использованию перед началом любых операций с инструментом.



Электроприборы, батареи/аккумуляторы запрещено утилизировать вместе с бытовым мусором.

Электрические приборы и аккумуляторы следует собирать отдельно и сдавать в специализированную компанию для утилизации в соответствии с нормами охраны окружающей среды.

Получите в местных органах власти или у вашего специализированного дилера сведения о центрах вторичной переработки и пунктах сбора.



Знак CE



Національний знак відповідності України



Сертификат Соответствия
No. TC RU C-DE.П86.В.00178
Срок действия Сертификата Соответствия по 17.05.2020
ООО «Ручные электрические машины. Сертификация» 141400, Россия, Московская область, Химки, ул.Ленинградская, дом 29

Транспортировка:

Категорически не допускается падение и любые механические воздействия на упаковку при транспортировке.

При разгрузке/погрузке не допускается использование любого вида техники, работающей по принципу зажима упаковки.

Хранение:

Необходимо хранить в сухом месте. Необходимо хранить вдали от источников повышенных температур и воздействия солнечных лучей.

При хранении необходимо избегать резкого перепада температур. Хранение без упаковки не допускается.

Срок службы изделия:

Срок службы изделия составляет 5 лет. Не рекомендуется к эксплуатации по истечении 5 лет хранения с даты изготовления без предварительной проверки.

Дата изготовления (код даты)

Отштампован на поверхности корпуса изделия. Пример: A2015, где 2015 - год изготовления A - месяц изготовления Определить месяц изготовления можно согласно приведенной ниже таблице

A - Январь	G - Июль
B - Февраль	H - Август
C - Март	J - Сентябрь
D - Апрель	K - Октябрь
E - Май	L - Ноябрь
F - Июнь	M - Декабрь

Тектроник Индастриз ГмбХ
Германия, 71364, Винненден,
ул. Макс-Ай-Штрассе, 10
Сделано в КНР

ТЕХНИЧЕСКИ ДАННИ	АКУМУЛАТОРЕН ВИНТОВЕРТ/ БОРМАШИНА	BS12 G3 Li-Ion 1,5 Ah	BS12 G3 Li-Ion 2,0 Ah	BS14 G3 Li-Ion 1,5 Ah	BS14 G3 Li-Ion 1,5 Ah	BS14 G3 Li-Ion 2,0 Ah
Производствен номер.....		4522 58 02... ...00001-999999	4521 87 02... ...00001-999999	4523 02 02... ...00001-999999	4569 84 02... ...00001-999999	4521 89 02... ...00001-999999
Диаметър на свредлото за стомана.....		10 mm.....	10 mm.....	10 mm.....	10 mm.....	13 mm
Диаметър на свредлото за дърво.....		30 mm.....	30 mm.....	30 mm.....	30 mm.....	32 mm
Винтове за дърво (без предварително разпробиване).....		5 mm.....	5 mm.....	5 mm.....	5 mm.....	5 mm
Обороти на празен ход на 1. скорост.....		350 min ⁻¹	350 min ⁻¹	400 min ⁻¹	400 min ⁻¹	400 min ⁻¹
Обороти на празен ход на 2. скорост.....		1500 min ⁻¹	1500 min ⁻¹	1700 min ⁻¹	1700 min ⁻¹	1700 min ⁻¹
Въртящ момент с акумулатора *1.....		30 Nm.....	32 Nm.....	32 Nm.....	32 Nm.....	36 Nm
Напрежение на акумулатора.....		12 V.....	12 V.....	14,4 V.....	14,4 V.....	14,4 V
Затегателен участък на патронника.....		0,8-10 mm.....	0,8-10 mm.....	0,8-10 mm.....	2,0-13 mm.....	2,0-13 mm
Тегло съгласно процедурата EPTA 01/2003.....		1,1 kg.....	1,1 kg.....	1,2 kg.....	1,2 kg.....	1,2 kg

Информация за шума / вибрациите

Измерените стойности са получени съобразно EN 60 745.

Нивото на звуково налягане на уреда в db (A) обикновено съставлява

Равнище на звуковото налягане (Несигурност K=3dB(A)) 84,5 dB (A)..... 84,5 dB (A).....86,5 dB (A)86,5 dB (A)86,5 dB (A)
 Равнище на мощността на звука (Несигурност K=3dB(A)) 95,5 dB (A)..... 95,5 dB (A)..... 97,5 dB (A) 97,5 dB (A) 97,5 dB (A)

Да се носи предпазно средство за слуха!

Общите стойности на вибрациите (векторна сума на три посоки) са определени в съответствие с EN 60745.

Стойност на емисиите на вибрациите

Пробиване на метал a _{vD}	0,5 m/s ²	0,5 m/s ²	1,2 m/s ²	1,2 m/s ²	1,2 m/s ²
Несигурност K=.....	1,5 m/s ²	1,5 m/s ²	1,5 m/s ²	1,5 m/s ²	1,5 m/s ²
Завинтване a _h	0,7 m/s ²	0,7 m/s ²	2,0 m/s ²	2,0 m/s ²	2,0 m/s ²
Несигурност K=.....	1,5 m/s ²	1,5 m/s ²	1,5 m/s ²	1,5 m/s ²	1,5 m/s ²

ВНИМАНИЕ

Посоченото в тези инструкции ниво на вибрациите е измерено в съответствие със стандартизиран в EN 60745 измервателен метод и може да се използва за сравнение на електрически инструменти помежду им. Подходящ е и за временна оценка на вибрационното натоварване.

Посоченото ниво на вибрациите представя основните приложения на електрическия инструмент. Ако обаче електрическият инструмент се използва с друго предназначение, с различни сменяеми инструменти или при недостатъчна техническа поддръжка, нивото на вибрациите може да е различно. Това чувствително може да увеличи вибрационното натоварване по време на целия работен цикъл.

За точната оценка на вибрационното натоварване трябва да се вземат предвид и периодите от време, в които уредът е изключен или работи, но в действителност не се използва. Това чувствително може да намали вибрационното натоварване по време на целия работен цикъл.

Определете допълнителни мерки по техника на безопасност в защита на обслужвания работник от въздействието на вибрациите като например: техническа поддръжка на електрическия инструмент и сменяемите инструменти, поддръжане на ръцете топли, организация на работния цикъл.

⚠ ПРЕДУПРЕЖДЕНИЕ! Прочетете всички указания и напътствия за безопасност.

Пропуски при спазването на указанията и напътствията за безопасност могат да доведат до токов удар, пожар и/или тежки наранявания.

Съхранявайте указанията и напътствията за безопасност за справка при нужда.

⚠ УКАЗАНИЯ ЗА БЕЗОПАСНОСТ ЗА БОРМАШИНИ

Използвайте доставените с уреда допълнителни ръкохватки.

Загубата на контрол може да доведе до наранявания.

Дръжте уреда за изолираните ръкохватки, когато извършвате работи, при които режещият инструмент може да засегне скрити електроинсталационни кабели. При влизане в съприкосновение с проводник под напрежение, то се предава на всички метални части на електрическия инструмент, което може да доведе до токов удар.

⚠ УКАЗАНИЯ ЗА БЕЗОПАСНОСТ ЗА СВРЕДЛА ЗА УДАРНО ПРОБИВАНЕ

Когато извършвате работи, при които болтът може да докосне скрити електрически кабели, дръжте уреда за изолираните ръкохватки. Контактът на болта с токопроводим проводник може да постави метални части на уреда под напрежение и може да Ви хване ток.

ДОПЪЛНИТЕЛНИ УКАЗАНИЯ ЗА РАБОТА И БЕЗОПАСНОСТ

Да се използват предпазни средства. При работа с машината винаги носете предпазни очила. Препоръчват се защитно облекло и прахоустойчива маска, защитни ръкавици, здрави и нехлъзгащи се обувки, каска и предпазни средства за слуха.

Прахът, който се образува при работа, често е вреден за здравето и не бива да попада в тялото. Да се носи подходяща прахоустойчива маска.

Акумулатори L1215G3, L1220G3, L1415G3, L1420G3 да се зареждат само със зарядни устройства AL1214G3 laden. Да не се зареждат акумулатори от други системи.

Не отваряйте акумулатори и зарядни устройства и ги съхранявайте само в сухи помещения. Пазете ги от влага.

При екстремно натоварване или екстремна температура от повредени акумулатори може да изтече батерийна течност. При допир с такава течност веднага измийте с вода и сапун. При контакт с очите веднага изплаквайте старателно най-малко 10 минути и незабавно потърсете лекар.

Предупреждение! За да избегнете опасността от пожар, предизвикана от късо съединение, както и нараняванията и повредите на продукта, не потапяйте инструмента, сменяемата акумулаторна батерия или зарядното устройство в течности и се погрижете в уредите и акумулаторните батерии да не попадат течности. Течностите, предизвикващи корозия или провеждащи електричество, като солена вода, определени химикали, изелбавщи вещества или продукти, съдържащи изелбавщи вещества, могат да предизвикат късо съединение.

ИЗПОЛЗВАНЕ ПО ПРЕДНАЗНАЧЕНИЕ

Акумулаторният пробивен винтоверт се използва универсално за пробиване и за завинтване на винтове и не зависи от захранване от мрежата.

Този уред може да се използва по предназначение само както е посочено.

СЕ - ДЕКЛАРАЦИЯ ЗА СЪОТВЕТСТВИЕ

Заявявам под собствена отговорност, че описаният в „Технически данни“ продукт съответства на всички важни разпоредби на директивата 2011/65/EU (RoHS), 2014/30/EU, 2006/42/ЕО, както и на всички следващи нормативни документи във тази връзка.

EN 60745-1:2009 + A11:2010

EN 60745-2-1:2010

EN 60745-2-2:2010

EN 55014-1:2006 + A1:2009 + A2:2011

EN 55014-2:2015

EN 50581:2012

Winnenden, 2017-09-25

Alexander Krug

Managing Director

Упълномощен за съставяне на техническата документация

Techtron Industries GmbH

Max-Eyth-Straße 10

71364 Winnenden

Germany

АКУМУЛАТОРИ

Акумулатори, които не са ползвани по-дълго време, преди употреба да се дозаредят.

Температура над 50°C намалява мощността на акумулатора. Да се избягва по-продължително нагряване на слънце или от отопление.

Поддържайте чисти присъединителните контакти на зарядното устройство и на акумулатора.

С цел оптимална продължителност на живот след употреба батериите трябва да бъдат зарядени напълно

За възможно по-дълга продължителност на живот батериите трябва да се изваждат от уреда след зареждане.

При съхранение на батериите за повече от 30 дни: съхранявайте батерията при припл. 27°C и на сухо място. Съхранявайте батерията при 30 до 50 % от заряда. Зареждайте батерията на всеки 6 месеца.

ЗАЩИТА ОТ ПРЕТОВАРВАНЕ НА БАТЕРИЯТА

Акумулаторният пакет е оборудван със защита против претоварване, която защитава акумулатора от претоварване и гарантира дълъг експлоатационен живот.

При извънредно силно натоварване електрониката на акумулатора автоматично изключва машината. За продължаване на работата

изключете и отново включете машината. Ако машината не може да се пусне наново, може би акумулаторният пакет е разреден и трябва отново да се зареди в зарядното устройство.

ПРЕВОЗ НА ЛИТИЕВО-ЙОННИ БАТЕРИИ

Литиево-йонните батерии са предмет на законовите разпоредби за превоз на опасни товари.

Превозът на тези батерии трябва да се извършва в съответствие с местните, националните и международните разпоредби и регламенти.

- Потребителите могат да превозват тези батерии по пътя без допълнителни изисквания.
- Превозът на литиево-йонни батерии от транспортни компании е предмет на законовите разпоредби за превоз на опасни товари. Подготовката на превоза и самият превоз трябва да се извършват само от обучени лица. Целият процес трябва да е под професионален надзор.

Спазвайте следните изисквания при превоз на батерии:

- Уверете се, че контактите са защитени и изолирани, за да се избегне късо съединение.
- Уверете се, че няма опасност от разместване на батерията в опаковката.
- Не превозвайте повредени батерии или такива с течове.

Обърнете се към Вашата транспортна компания за допълнителни инструкции.

ПОДДРЪЖКА

Да се използват само аксесоари на AEG и резервни части на AEG.

Елементи, чията подмяна не е описана, да се дадат за подмяна в сервис на AEG (вижте брошурата "Гаранция и адреси на сервиси").

При необходимост можете да поискате схема на елементите на уреда при посочване на обозначение на машината и шестцифрения номер на табелката за технически данни от Вашия сервис или директно на Techtron Industries GmbH, Max-Eyth-Straße 10, 71364 Winnenden, Германия.

СИМВОЛИ



ВНИМАНИЕ! ПРЕДУПРЕЖДЕНИЕ! ОПАСНОСТ



Преди започване на каквито е да е работи по машината извадете акумулатора.



Преди пускане на уреда в действие моля прочетете внимателно инструкцията за използване.



Електрическите уреди, батерии/акумулаторни батерии не трябва да се изхвърлят заедно с битовите отпадъци.

Електрическите уреди и акумулаторни батерии трябва да се събират разделно и да се предават на службите за рециклиране на отпадъците според изискванията за опазване на околната среда.

Информирайте се при местните служби или при местните специализирани търговци относно местата за събиране и центровете за рециклиране на отпадъци.



СЕ-знак



Национален знак за съответствие - Украйна



EurAsian знак за съответствие.

DATE TEHNICE	MAȘINA DE GĂURIT/ ÎNSURUBAT CU ACUMULATOR	BS12 G3 Li-Ion 1,5 Ah	BS12 G3 Li-Ion 2,0 Ah	BS14 G3 Li-Ion 1,5 Ah	BS14 G3 Li-Ion 2,0 Ah	BS14 G3 Li-Ion 1,5 Ah	BS14 G3 Li-Ion 2,0 Ah
Număr producție		4522 58 02.....	4521 87 02.....	4523 02 02.....	4569 84 02.....	4521 89 02.....	000001-999999.....
		000001-999999.....	000001-999999.....	000001-999999.....	000001-999999.....	000001-999999.....	000001-999999.....
Capacitate de găurire în otel		10 mm.....	10 mm.....	10 mm.....	10 mm.....	13 mm.....	13 mm.....
Capacitate de găurire în lemn		30 mm.....	30 mm.....	30 mm.....	30 mm.....	32 mm.....	32 mm.....
Șuruburi pt. lemn (fără pregăurire)		5 mm.....	5 mm.....	5 mm.....	5 mm.....	5 mm.....	5 mm.....
Viteza de mers în gol , prima treaptă de putere		350 min ⁻¹	350 min ⁻¹	400 min ⁻¹	400 min ⁻¹	400 min ⁻¹	400 min ⁻¹
Viteza de mers în gol, a 2-a treaptă		1500 min ⁻¹	1500 min ⁻¹	1700 min ⁻¹	1700 min ⁻¹	1700 min ⁻¹	1700 min ⁻¹
Cuplu cu acumulator *1		30 Nm.....	32 Nm.....	32 Nm.....	32 Nm.....	36 Nm.....	36 Nm.....
Tensiune acumulator		12 V.....	12 V.....	14,4 V.....	14,4 V.....	14,4 V.....	14,4 V.....
Interval de deschidere burghiu		0,8-10 mm.....	0,8-10 mm.....	0,8-10 mm.....	2,0-13 mm.....	2,0-13 mm.....	2,0-13 mm.....
Greutatea conform „EPTA procedure 01/2003”		1,1 kg.....	1,1 kg.....	1,2 kg.....	1,2 kg.....	1,2 kg.....	1,2 kg.....

Informație privind zgomotul / vibrațiile

Valori măsurate determinate conform EN 60 745.

Valoarea reală A a nivelului presiunii sonore a sculei este :

Nivelul presiunii sonore (Nesiguranță K=3dB(A)).....	84,5 dB (A).....	84,5 dB (A).....	86,5 dB (A).....	86,5 dB (A).....	86,5 dB (A).....
Nivelul sunetului (Nesiguranță K=3dB(A)).....	95,5 dB (A).....	95,5 dB (A).....	97,5 dB (A).....	97,5 dB (A).....	97,5 dB (A).....

Purtați căști de protecție

Valorile totale de oscilație (suma vectorială pe trei direcții) determinate conform normei EN 60745.

Valoarea emisiei de oscilații

Găurit în metal a _d	0,5 m/s ²	0,5 m/s ²	1,2 m/s ²	1,2 m/s ²	1,2 m/s ²
Nesiguranță K=.....	1,5 m/s ²	1,5 m/s ²	1,5 m/s ²	1,5 m/s ²	1,5 m/s ²
Înșurubare a.....	0,7 m/s ²	0,7 m/s ²	2,0 m/s ²	2,0 m/s ²	2,0 m/s ²
Nesiguranță K=.....	1,5 m/s ²	1,5 m/s ²	1,5 m/s ²	1,5 m/s ²	1,5 m/s ²

AVERTISMENT

Gradul de oscilație indicat în prezentele instrucțiuni a fost măsurat în conformitate cu o procedură de măsurare normală prin norma EN 60745 și poate fi folosit pentru a compara unelte electrice între ele. El se pretează și pentru o evaluare provizorie a solicitării la oscilații.

Gradul de oscilație indicat reprezintă aplicațiile principale ale uneltelor electrice. În cazul în care însă uneltele electrice au fost folosite pentru alte aplicații, ori au fost folosite unelte de muncă diferite ori acestea nu au fost supuse unei suficiente inspecții de întreținere, gradul de oscilație poate fi diferit. Acest fapt poate duce la o creștere netă a solicitărilor la oscilații dealungul întregii perioade de lucru.

În scopul unei evaluări exacte a solicitării la oscilații, urmează să fie luate în considerație și perioadele de timp în care aparatul a fost oprit ori funcționează dar, în realitate, el nu este folosit în mod practic. Acest fapt poate duce la o reducere netă a solicitărilor la oscilații dealungul întregii perioade de lucru.

Stabiliți măsuri de siguranță suplimentare în scopul protecției utilizatorului de efectele oscilațiilor, de exemplu: inspecție de întreținere a uneltelor electrice și a celor de muncă, păstrarea caldă a mâinilor, organizarea proceselor de muncă.

AVERTIZARE! Citiți toate indicațiile de siguranță și toate instrucțiunile. Nerrespectarea indicațiilor de avertizare și a instrucțiunilor poate provoca electrocutare, incendii și/sau răni grave.

Păstrați toate indicațiile de avertizare și instrucțiunile în vederea utilizării viitoare.

INSTRUCȚIUNI DE SIGURANȚĂ PENTRU MAȘINILE DE GĂURIT

Utilizați manerere auxiliare livrate cu scula. Pierderea controlului poate provoca rănirea persoanelor.

Țineți aparatul de mânerere izolate când executați lucrări la care scula tăietoare poate nimeri peste conductori electrici ascunși.

Intrarea în contact a sculei tăietoare cu o linie electrică prin care circulă curent poate pune sub tensiune și componente metalice ale aparatului și să ducă la electrocutare.

INSTRUCȚIUNI DE SIGURANȚĂ PENTRU MAȘINILE DE ÎNSURUBAT

Țineți aparatul de mânerere izolate atunci când executați lucrări la care șurubul ar putea atinge cabluri de curent ascunse. Contactul șurubului cu un conductor prin care circulă curentul electric poate pune sub tensiune componente metalice ale aparatului, provocând electrocutare.

INSTRUCȚIUNI SUPPLEMENTARE DE SIGURANȚĂ ȘI DE LUCRU

Folosiți echipament de protecție . Purtați întotdeauna ochelari de protecție când lucrați cu mașina . Se recomandă utilizarea hainelor de protecție ca de ex. Măști contra prafului, mănuși de protecție, încălțăminte stabilă nealunecoasă, cască și apăratoare de urechi.

Praful care apare când se lucrează cu această sculă poate fi dăunător sănătății și prin urmare nu trebuie să atingă corpul. Purtați o mască de protecție corespunzătoare împotriva prafului.

Nu se admite prelucrarea unui material care poate pune în pericol sănătatea operatorului (de exemplu azbestul).

La blocarea sculei demontabile vă rugăm să deconectați imediat aparatul! Nu conectați aparatul atâta timp cât scula demontabilă este blocată; dacă o faceți, s-ar putea să se producă un recul cu un cuplu mare de reacție. Găsiți și remediați cauza de blocare a sculei demontabile respectând indicațiile pentru siguranță.

Cauzele posibile pot fi:

- Agățarea în piesa de prelucrat
- Străpungerea materialului de prelucrat
- Suprasolicitarea sculei electrice

Nu atingeți părțile mașinii aflate în rotație.

Scula introdusă poate să devină fierbinte în timpul utilizării.

AVERTISMENT! Pericol de arsuri

- la schimbarea sculei
- la depunerea aparatului

Rumegușul și spanul nu trebuie îndepărtate în timpul funcționării mașinii.

Când se lucrează pe pereți, tavan sau dușumea, aveți grijă să evitați cablurile electrice și țevile de gaz sau de apă.

Asigurați piesa de prelucrat cu un dispozitiv de fixare. Piesele neasigurate pot provoca accidentări grave și stricăciuni.

Îndepărtați acumulatorul înainte de începerea lucrului pe mașina

Nu aruncați acumulatorii uzați la containerul de reziduri menajere și nu îi ardeți. Milwaukee Distributors se oferă să recupereze acumulatorii vechi pentru protecția mediului înconjurător.

Nu depozitați acumulatorul împreună cu obiecte metalice (risc de scurtcircuit)

Folosiți numai încărcătoare AL1214G3 pentru încărcarea acumulatorilor L1215G3, L1220G3, L1415G3, L1420G3. Nu folosiți acumulatori din alte sisteme.

Nu deschideți niciodată acumulatorii și încărcătoarele și pastrați-le numai în încăperi uscate. Pastrați-le întotdeauna uscate .

Acidul se poate scurge din acumulatorii deteriorați la încărcători sau temperaturi extreme. În caz de contact cu acidul din acumulator, spălați imediat cu apă și săpun. În caz de contact cu ochii, clătiți cu atenție timp de cel puțin 10 minute și apelați imediat la îngrijire medicală.

AVERTIZARE! Pentru a reduce pericolul unui incendiu i evitarea r/ nirlor sau deteriorarea produsului în urma unui scurtcircuit nu imersai scula, acumulatorul de schimb sau înc/rc/torul în lichide i asigurai-v/ si/ nu p/trund/ lichide în aparate i acumulatori. Lichidele corosive sau cu conductibilitate, precum apa s/rat/, anumite substane chimice i în/lbitori sau produse ce conin în/lbitori, pot provoca un scurtcircuit.

CONDIȚII DE UTILIZARE SPECIFICATE

Mașina de găurit / de înșurubat cu acumulator este destinată operațiunilor de găurire și înșurubare , pentru utilizare independentă , departe de sursele de alimentare.

Nu utilizați acest produs în alt mod decât cel stabilit pentru utilizare normală

DECLARAȚIE DE CONFORMITATE

Declarăm pe propria răspundere că produsul descris la „Date tehnice” este în concordanță cu toate prevederile legale relevante ale Directivei 2011/65/ EU (RoHS), 2014/30/UE, 2006/42/CE și cu următoarele norme armonizate:

EN 60745-1:2009 + A1:2010

EN 60745-2-1:2010

EN 60745-2-2:2010

EN 55014-1:2006 + A1:2009 + A2:2011

EN 55014-2:2015

EN 50581:2012

Winnenden, 2017-09-25



Alexander Krug
Managing Director



Împuternicit să elaboreze documentația tehnică.

Technronic Industries GmbH

Max-Eyth-Straße 10

71364 Winnenden

Germany

ACUMULATORI

Acumulatorii care nu au fost utilizați o perioadă de timp trebuie reîncărcați înainte de utilizare.

Temperatura mai mare de 50°C (122°F) reduce performanța acumulatorului. Evitați expunerea prelungită la căldură sau radiație solară (risc de supraîncălzire)

Contactele încărcătoarelor și acumulatorilor trebuie păstrate curate.

Pentru o durabilitate optimă, acumulatorii trebuie reîncărcați complet după folosire.

Pentru o durată de viață cât mai lungă, acumulatorii ar trebui scoși din încărcător după încărcare.

La depozitarea acumulatorilor mai mult de 30 zile:

Acumulatorii se depozitează la cca. 27°C și la loc uscat.

Acumulatorii se depozitează la nivelul de încărcare de cca. 30%-50%.

Acumulatorii se încarcă din nou la fiecare 6 luni.

PROTECȚIE SUPRAÎNCĂRCARE ACUMULATOR

Bateria de acumuloare este dotată cu o protecție anti-suprasarcină, care protejează acumulatorul împotriva supraîncărcării și îi asigură o durată îndelungată de viață.

În cazul unei solicitări extrem de ridicate, sistemul electronic al acumulatorului decuplează mașina în mod automat. Pentru continuarea lucrului, mașina trebuie decuplată și apoi cuplată din nou. Dacă mașina nu

pornește, este posibil ca bateria de acumuloare să fie descărcată, trebuind reîncărcată în aparatul de încărcare.

TRANSPORTUL ACUMULATORILOR CU IONI DE LITIU

Acumulatorii cu ioni de litiu cad sub incidența prescripțiilor legale pentru transportul de mărfuri periculoase.

Transportul acestor acumulatori trebuie să se efectueze cu respectarea prescripțiilor și reglementărilor pe plan local, național și internațional.

- Consumatorilor le este permis transportul rutier nerestrictionat al acestui tip de acumulatori.
- Transportul comercial al acumulatorilor cu ioni de litiu prin intermediul firmelor de expediție și transport este supus reglementărilor transportului de mărfuri periculoase. Pregătirile pentru expediție și transportul au voie să fie efectuate numai de către personal instruit corespunzător. Întregul proces trebuie asistat în mod competent.

Următoarele puncte trebuie avute în vedere la transportul acumulatorilor:

- Pentru a se evita scurtcircuitate, asigurați-vă de faptul că sunt protejate și izolate contactele.
- Aveți grijă ca pachetul de acumulatori să nu poată aluneca în altă poziție în interiorul ambalajului său.
- Este interzis transportarea unor acumulatori deteriorați sau care pierd lichid.

Pentru indicații suplimentare adresați-vă firmei de expediție și transport cu care colaborați.

INTREȚINERE

Utilizați numai accesorii și piese de schimb AEG. Dacă unele din componente care nu au fost descrise trebuie înlocuite, vă rugăm contactați unul din agenții de service AEG (vezi lista noastră pentru service / garanție)

Dacă este necesar, puteți solicita de la centrul dvs. de service pentru clienți sau direct la Technronic Industries GmbH, Max-Eyth-Straße 10, 71364 Winnenden, Germania un desen descompus al aparatului prin indicarea tipului de aparat și a numărului cu șase cifre de pe plăți indicatoare.

SIMBOLURI



PERICOL! AVERTIZARE! ATENȚIE!



Îndepărtați acumulatorul înainte de începerea lucrului pe mașina



Va rugăm citiți cu atenție instrucțiunile înainte de pornirea mașinii



Aparatele electrice, bateriile/acumulatorii nu se elimină împreună cu deșeurile menajere. Aparatele electrice și acumulatorii se colectează separat și se predau la un centru de reciclare, în vederea eliminării ecologice. Informații-vă de la autoritățile locale sau de la comerțanții acreditați în legătură cu centrele de reciclare și de colectare.



Marcaj CE



Marcaj național de conformitate Ucraina



Marcaj de conformitate EurAsian.

ТЕХНИЧКИ ПОДАТОЦИ	ДУПЧАЛКА НА БАТЕРИИ	BS12 G3	BS12 G3	BS14 G3	BS14 G3	BS14 G3
		Li-Ion 1,5 Ah	Li-Ion 2,0 Ah	Li-Ion 1,5 Ah	Li-Ion 1,5 Ah	Li-Ion 2,0 Ah
Произведен број.....	4522 58 02.....	4521 87 02.....	4523 02 02.....	4569 84 02.....	4521 89 02.....	000001-999999.....
Капацитет на дупчење во челик.....	10 mm.....	10 mm.....	10 mm.....	10 mm.....	13 mm.....	000001-999999.....
Капацитет на дупчење во дрво.....	30 mm.....	30 mm.....	30 mm.....	30 mm.....	32 mm.....	000001-999999.....
Шрафови во дрво (без предходно дупчење).....	5 mm.....	5 mm.....	5 mm.....	5 mm.....	5 mm.....	000001-999999.....
Брзина без оптоварување, 1ва брзина.....	350 min ⁻¹	350 min ⁻¹	400 min ⁻¹	400 min ⁻¹	400 min ⁻¹	000001-999999.....
Брзина без оптоварување, 2ра брзина.....	1500 min ⁻¹	1500 min ⁻¹	1700 min ⁻¹	1700 min ⁻¹	1700 min ⁻¹	000001-999999.....
Спрега торк со батерија *1.....	30 Nm.....	32 Nm.....	32 Nm.....	32 Nm.....	36 Nm.....	000001-999999.....
Волтажа на батеријата.....	12 V.....	12 V.....	14,4 V.....	14,4 V.....	14,4 V.....	000001-999999.....
Опсег на отворање на бутотина.....	0,8-10 mm.....	0,8-10 mm.....	0,8-10 mm.....	2,0-13 mm.....	2,0-13 mm.....	000001-999999.....
Тежина според ЕПТА-процедурата 01/2003.....	1,1 kg.....	1,1 kg.....	1,2 kg.....	1,2 kg.....	1,2 kg.....	000001-999999.....

Информации за бучавата / вибрации

Измерените вредности се одредени согласно стандардот EN 60 745.

Типично очекувано ниво на звучен притисок на алатот е:

Ниво на звучен притисок. (Несигурност K=3dB(A)).....	84,5 dB (A).....	84,5 dB (A).....	86,5 dB (A).....	86,5 dB (A).....	86,5 dB (A).....
Ниво на јачина на звук (Несигурност K=3dB(A)).....	95,5 dB (A).....	95,5 dB (A).....	97,5 dB (A).....	97,5 dB (A).....	97,5 dB (A).....

Носте штитник за уши.

Вкупни вибрациски вредности (векторски збир на трите насоки) пресметани согласно EN 60745.

Вибрациска емисиона вредност

Дупчење во метал a _D	0,5 m/s ²	0,5 m/s ²	1,2 m/s ²	1,2 m/s ²	1,2 m/s ²
Несигурност K =.....	1,5 m/s ²	1,5 m/s ²	1,5 m/s ²	1,5 m/s ²	1,5 m/s ²
Зашрафување a _h	0,7 m/s ²	0,7 m/s ²	2,0 m/s ²	2,0 m/s ²	2,0 m/s ²
Несигурност K =.....	1,5 m/s ²	1,5 m/s ²	1,5 m/s ²	1,5 m/s ²	1,5 m/s ²

ПРЕДУПРЕДУВАЊЕ

Нивото на осцилација наведено во овие инструкции е измерено во согласност со мерните постапки нормирани во EN 60745 и може да биде употребено за меѓусебна споредба на електро-алати. Ова ниво може да се употреби и за привремена проценка на оптоварувањето на осцилацијата.

Наведеното ниво на осцилација ги репрезентира главните намени на електро-алатот. Но, доколку електро-алатот се употребува за други намени, со отстапувачки додатоци или со несоодветно одржување, нивото на осцилација може да отстапи. Тоа може значително да го зголеми оптоварувањето на осцилацијата за време на целиот работен период.

За прецизна проценка на оптоварувањето на осцилацијата предвид треба да бидат земени и времињата, во коишто апаратот е исклучен или работи, но фактички не се употребува. Тоа може значително да го намали оптоварувањето на осцилацијата за време на целиот работен период.

Утврдете дополнителни безбедносни мерки за заштита на операторот од влијанието на осцилациите, како на пример: одржување на електро-алатот и на додатоци кон електро-алатот, одржување топли раце, организација на работните процеси.

⚠ ВНИМАНИЕ! Прочитајте ги безбедносните напомени и упатства. Заборавање на почитувањето на безбедносните упатства и инструкции можат да предизвикаат електричен удар, пожар и/или тешки повреди.
Сочувајте ги сите безбедносни упатства и инструкции за во иднина.

⚠ БЕЗБЕДНОСНИ НАПОМЕНИ ЗА ПЕРКУСИОНИ БОРМАШИНИ

Користете помошни рачки кои доаѓаат заедно со алатот. Губењето контрола може да предизвика повреда.

Држете го електричниот алат за издадените површини при изведување на операции при кои алатот за сечење можат да дојдат во контакт со скриени жици. Контакт со жица под напон исто така ќе направи проводници од металните делови и оној кој ракува со алатот ќе доживее струен удар.

⚠ БЕЗБЕДНОСНИ НАПОМЕНИ ЗА ЗАШТРАФУВАЊЕ

При реализација на работи, при кои завртката може да погоди скриени водови на струја, држете го апаратот на изолираните површини за држење. Контактот на навртката со вод под напон може да ги стави металните делови од апаратот под напон и да доведе до електричен удар.

ОСТАНАТИ БЕЗБЕДНОСНИ И РАБОТНИ УПАТСТВА

Употребувајте заштитна опрема. При работа со машината постојано носете заштитни очила. Се препорачува заштитна облека како: маска за заштита од прашина, заштитни ракавици, цврсти чевли што не се лигаат, кацига и заштита за уши.

Пршната која се создава при користење на овој алат може да биде штетна по здравјето. Не ја вдишувајте. Носете соодветна заштитна маска.

Не смеат да бидат обработувани материјали кои што можат да го загрозат здравјето (на пр. азбест).

Доколку употребуваното орудие се блокира, молиме веднаш да се исклучи апаратот! Не го вклучувајте апаратот повторно додека употребуваното орудие е блокирано; притоа би можело да дојде до повратен удар со висок момент на реакција. Испитајте и отстранете ја причината за блокирањето на употребеното орудие имајќи ги во предвид напомените за безбедност.

Можни причини би можеле да се:

- Закантување во парчето кое што се обработува
- Кршење поради продирање на материјалот кој што се обработува
- Преоптоварување на електричното орудие

Не фаќајте во машината кога работи.

Употребеното орудие за време на примената може да стане многу жешко.

ПРЕДУПРЕДУВАЊЕ! Опасност од изгоретини

- при менување на орудието
- при ставање на апаратот на страна

Прашината и стругонтините не смеат да се одстрануваат додека е машината работи.

Кога работите на сидови, таван или под внимавајте да ги избегнете електричните, гасните и водоводни инсталации.

Обезбедете го предметот кој што го обработувате со направа за напон. Небезбедни парчиња кои што се обработуваат можат да предизвикаат тешки повреди и оштетувања.

Извадете го батерискиот склоп пред отпочнување на каков и да е зафат врз машината.

Не ги оставајте искористените батерии во домашниот отпад и не горете ги. Дистрибутерите на Милвоки ги собираат старите батерии, со што ја штитат нашата околина.

Не ги чувајте батериите заедно со метални предмети (ризик од краток спој).

Користете исклучиво AL1214G3 за полнење на батерии од L1215G3, L1220G3, L1415G3, L1420G3. Не користете батерии од друг систем.

Не ги отворајте насилино батериите и полначите, и чувајте ги само на суво место. Чувајте ги постојано суви.

Киселината од оштетените батериите може да истече при екстреман напон или температури. Доколку дојдете во контакт со исатата, измијте се веднаш со сапун и вода. Во случај на контакт со очите планкнете ги убаво најмалку 10 минути и задолжително одете на лекар.

Предупредување! За да избегнете опасноста од пожар, од наранување или од оштетување на производот, коишто ги создава краток спој, не ја потопувајте во течност алатката, заменливата батерија или полначот и пазете во уредите и во батериите да не проникнуваат течности. Корозивни или електропроводливи течности, како солена вода, одредени хемикалии, избелувачки препарати или производи кои содржат избелувачки супстанции, можат да предизвикаат краток спој.

СПЕЦИФИЦИРАНИ УСЛОВИ НА УПОТРЕБА

Дупчалката на батерији/шрафцигерот е дизајниран за дупчење и зашрафување, независна употреба далеку од главното напојување.

Не го користете овој производ на било кој друг начин освен пропишаниот за нормална употреба.

ЕУ-ДЕКЛАРАЦИЈА ЗА СООБРАЗНОСТ

Во своја сопствена одговорност изјавуваме дека под „Технички податоци“ опишаниот производ е во склад со сите релевантни прописи од регулативата 2011/65/EU (RoHS), 2014/30/EU, 2006/42/EC и следните хармонизирачки нормативни документи:

EN 60745-1:2009 + A11:2010

EN 60745-2-1:2010

EN 60745-2-2:2010

EN 55014-1:2006 + A1:2009 + A2:2011

EN 55014-2:2015

EN 50581:2012

Winnenden, 2017-09-25

Alexander Krug
Managing Director



Опномоштен за составување на техничката документација.

Technich Industries GmbH
Max-Eyth-Straße 10
71364 Winnenden
Germany

БАТЕРИИ

Подолг период неупотребувани комплекти батерии да се наполнат пред употреба.

Температура повисока од 50oC (122oF) го намалуваат траењето на батериите. Избегнувајте подолго изложување на батериите на високи температури или сонце (ризик од прегревавање).

Клемите на полначот и батериите мора да бидат чисти.

За оптимален работен век, по употреба батериите мора да бидат целосно наполнети.

За можно подолг век на траење, апаратите после нивното полнење треба да бидат извадени од апаратот за полнење на батериите.

Во случај на складирање на батеријата подолго од 30 дена: Акумулаторот да се чува на температура од приближно 27°C и на суво место.

Акумулаторот да се складира на приближно 30%-50% од состојбата на наполнетост. Акумулаторот повторно да се наполни на секои 6 месеци.

ЗАШТИТА ОД ПРЕОПТЕРЕТУВАЊЕ НА БАТЕРИЈАТА

Батериското пакување е опремено со заштита од преоптоварување што ја штити батеријата од преоптоварување и обезбедува долг работен век.

При екстремно висок степен на употреба, електрониката на батеријата автоматски ја исклучува машината. За да продолжите со работа исклучете ја машината и вклучете ја повторно. Доколку машината не

се вклучи повторно, можно е батериското пакување да е испразнето. Тогаш тоа ќе мора да биде наполнето во апаратот за полнење.

ТРАНСПОРТ НА ЛИТИУМ-ЈОНСКИ БАТЕРИИ

Литиум-јонските батерии подлежат на законските одредби за транспорт на опасни материји.

Транспортот на овие батерии мора да се врши согласно локалните, националните и меѓународните прописи и одредби.

- Потрошувачите на овие батерии може да вршат непречен патен транспорт на истите.
- Комерцијалниот транспорт на литиум-јонски батерии од страна на шпедитерски претпријатија подлежат на одредбите за транспорт на опасни материји. Подгтовките за шпедиција и транспорт треба да ги вршат исклучиво соодветно обучени лица. Целокупниот процес треба да биде стручно надгледуван.

При транспортот на батерии треба да се внимава на следното:

- Осигурајте се дека контактите се заштитени и изолирани, а сето тоа со цел да се избегнат кратки споеви.
- Внимавајте да не дојде до измествување на батериите во нивната амбалажа.
- Забранет е транспорт на оштетени или протечени литиум-јонски батерии.

За понатамошни инструкции обратете се до Вашето шпедитерско претпријатие.

ОДРЖУВАЊЕ

Користете само AEG додатоци и резервни делови. Доколку некои од компонентите кои не се опишани треба да бидат заменети, Ве молиме контактирајте ги сервисните агенти на AEG (консултирајте ја листата на адреси).

При потреба може да се побара експлозионен цртеж на апаратот со наведување на машинскиот тип и шестоцифрениот број на табличката со учинокот или во Вашата корисничка служба или директно кај Technich Industries GmbH, Max-Eyth-Straße 10, 71364 Winnenden, Германија.

СИМБОЛИ



ВНИМАНИЕ! ПРЕДУПРЕДУВАЊЕ! ОПАСНОСТИ!



Извадете го батерискиот склоп пред отпочнување на каков и да е зафат врз машината.



Ве молиме пред да ја стартувате машината обрнете внимание на упатствата за употреба.



Електричните апарати и батериите што се полнат не смеат да се фрлат заедно со домашниот отпад. Електричните апарати и батериите треба да се собираат одделно и да се однесат во соодветниот погон заради нивно фрлање во склад со начелата за заштита на околината. Информирајте се кај Вашите местни служби или кај специјализираниот трговски претставник, каде има такви погони за рециклажа и собирни станици.



СЕ-знак



Национален конформитетски знак за Украина



EurAsian (Евроазиски) знак на конформитет.

ТЕХНІЧНІ ХАРАКТЕРИСТИКИ	АКУМУЛЯТОРНИЙ ГВИНТОКРУТ	BS12 G3	BS12 G3	BS14 G3	BS14 G3	BS14 G3
		Li-Ion 1,5 Ah	Li-Ion 2,0 Ah	Li-Ion 1,5 Ah	Li-Ion 1,5 Ah	Li-Ion 2,0 Ah
Номер виробу.....	4522 58 02.....	4521 87 02.....	4523 02 02.....	4569 84 02.....	4521 89 02.....	000001-999999.....
Ø свердління сталі.....	10 mm.....	10 mm.....	10 mm.....	10 mm.....	13 mm.....	13 mm.....
Ø свердління деревини.....	30 mm.....	30 mm.....	30 mm.....	30 mm.....	32 mm.....	32 mm.....
Шуруги для деревини.....	5 mm.....	5 mm.....	5 mm.....	5 mm.....	5 mm.....	5 mm.....
Кількість обертів холостого ходу 1 передача / 2 передача.....	350 min ⁻¹	350 min ⁻¹	400 min ⁻¹	400 min ⁻¹	400 min ⁻¹	400 min ⁻¹
Кількість обертів холостого ходу 1 передача / 2 передача.....	1500 min ⁻¹	1500 min ⁻¹	1700 min ⁻¹	1700 min ⁻¹	1700 min ⁻¹	1700 min ⁻¹
Крутильний момент із змінною акумуляторною батареєю.....	30 Nm.....	32 Nm.....	32 Nm.....	32 Nm.....	36 Nm.....	36 Nm.....
Напруга змінної акумуляторної батареї.....	12 V.....	12 V.....	14,4 V.....	14,4 V.....	14,4 V.....	14,4 V.....
Ділянка затискання свердильного патрона.....	0,8-10 mm.....	0,8-10 mm.....	0,8-10 mm.....	2,0-13 mm.....	2,0-13 mm.....	2,0-13 mm.....
Вага згідно з процедурою EPTA 01/2003.....	1,1 kg.....	1,1 kg.....	1,2 kg.....	1,2 kg.....	1,2 kg.....	1,2 kg.....

Шум / інформація про вібрацію

Виміряні значення визначені згідно з EN 60 745.

Рівень шуму "А" приладу становить в типовому випадку:

Рівень звукового тиску (похибка K = 3 дБ(А))..... 84,5 dB (A)..... 84,5 dB (A)..... 86,5 dB (A)..... 86,5 dB (A)..... 86,5 dB (A)

Рівень звукової потужності (похибка K = 3 дБ(А))..... 95,5 dB (A)..... 95,5 dB (A)..... 97,5 dB (A)..... 97,5 dB (A)..... 97,5 dB (A)

Використовувати засоби захисту органів слуху!

Сумарні значення вібрації (векторна сума трьох напрямків),

встановлені згідно з EN 60745.

Значення вібрації

Свердління в металі a_{hп}..... 0,5 m/s²..... 0,5 m/s²..... 1,2 m/s²..... 1,2 m/s²..... 1,2 m/s²

похибка K = 1,5 m/s²..... 1,5 m/s²..... 1,5 m/s²..... 1,5 m/s²..... 1,5 m/s²

Пригвинчування a_h..... 0,7 m/s²..... 0,7 m/s²..... 2,0 m/s²..... 2,0 m/s²..... 2,0 m/s²

похибка K = 1,5 m/s²..... 1,5 m/s²..... 1,5 m/s²..... 1,5 m/s²..... 1,5 m/s²

ПОПЕРЕДЖЕННЯ!

Рівень вібрації, вказаний в цій інструкції, вимірювався згідно з методом вимірювання, нормованим стандартом EN 60745, і може використовуватися для порівняння електроінструментів. Він призначений також для попередньої оцінки навантаження від вібрації.

Вказаний рівень вібрації відповідає основним сферам використання електроінструменту. Але якщо електроінструмент використовується для іншої мети, з іншими вставними інструментами або при недостатньому технічному обслуговуванні, рівень вібрації може бути іншим. Це може значно підвищити навантаження від вібрації за весь період роботи.

Для точної оцінки навантаження від вібрації необхідно також врахувати час, коли прилад вимкнений або увімкнений, але фактично не використовується. Це може значно зменшити навантаження від вібрації за весь період роботи.

Визначте додаткові заходи безпеки для захисту оператора від дії вібрації, наприклад: Технічне обслуговування електроінструменту та вставних інструментів, зігрівання рук, організація робочих процесів.

▲ ПОПЕРЕДЖЕННЯ! Прочитайте всі вказівки з техніки безпеки та інструкції. Упущення при дотриманні вказівок з техніки безпеки та інструкції можуть призвести до ураження електричним струмом, пожежі та/або тяжких травм.

Зберігайте всі вказівки з техніки безпеки та інструкції на майбутнє.

▲ ВКАЗІВКИ З ТЕХНІКИ БЕЗПЕКИ ДЛЯ ДРІЛІВ

Користуйтеся додатковими рукоятками, що поставляються разом з пристроєм, якщо вони входять в комплект поставки. Втрата контролю може призвести до пошкодження.

Під час виконання робіт тримайте прилад за ізольовані поверхні рукояток, якщо вставний інструмент може натрапити на приховані електричні лінії.

Контакт з лінією під напругою може призвести до появи напруги в металевих частинах приладу та до ураження електричним струмом.

▲ ВКАЗІВКИ З ТЕХНІКИ БЕЗПЕКИ ДЛЯ ГВИНТОКРУТА

Тримайте пристрій за ізольовані поверхні ручок, коли виконуєте роботу, під час якої гвінт може нашоухнутися на приховані електропроводи. Контакт гвинта з проводом під напругою може сприяти виникненню напруги на металевих деталях пристрою та призвести до ураження електричним струмом.

▲ ДОДАТКОВІ ІНСТРУКЦІ З ТЕХНІКИ БЕЗПЕКИ ТА ЕКСПЛУАТАЦІЇ

Використовуйте індивідуальні засоби захисту. Під час роботи з машиною завжди носіть захисні окуляри. Радімо використовувати захисний одяг, як наприклад маску для захисту від пилу, захисні рукавиці, міцне та нековзне взуття, каску та засоби захисту органів слуху.

Пил, що утворюється під час роботи, часто буває шкідливим для здоров'я; він не повинен потрапляти в організм. Носіть відповідну маску для захисту від пилу.

Не можна обробляти матеріали, небезпечні для здоров'я (наприклад, азбест).

потраплянні електроліту на шкіру його негайно необхідно змити водою з милом. При потраплянні в очі їх необхідно негайно ретельно промити, щонайменше 10 хвилин, та негайно звернутися до лікаря.

Попередження! Для запобігання небезпеці пожежі в результаті короткого замикання, травм і пошкодження виробів не занурюйте інструмент, змінний акумулятор або зарядний пристрій у рідину і не допускайте потрапляння рідини всередину пристроїв або акумуляторів. Корозійні і струмопровідні рідини, такі як солоний розчин, певні хімікати, вибілювальні засоби або продукти, що їх містять, можуть призвести до короткого замикання.

ВИКОРИСТАННЯ ЗА ПРИЗНАЧЕННЯМ

Акумуляторний гвинтокрут можна використовувати універсально для свердління та пригвинчування незалежно від мережевого живлення.

Цей прилад можна використовувати тільки за призначенням так, як вказано в цьому документі.

СЕРТИФІКАТ ВІДПОВІДНОСТІ ВИМОГАМ ЄС

Ми заявляємо на власну відповідальність, що виріб, описаний в "Технічних даних", відповідає всім застосовним положенням директиви 2011/65/EU (RoHS), 2014/30/EU, 2006/42/EC, та наступним гармонізованим нормативним документам:

EN 60745-1:2009 + A11:2010

EN 60745-2-1:2010

EN 60745-2-2:2010

EN 55014-1:2006 + A1:2009 + A2:2011

EN 55014-2:2015

EN 50581:2012

Winnenden, 2017-09-25



Alexander Krug
Managing Director



Уповноважений із складання технічної документації.

Techtronic Industries GmbH

Max-Eyth-Straße 10

71364 Winnenden

Germany

АКУМУЛЯТОРНІ БАТАРЕЇ

Змінну акумуляторну батарею, що не використовувалася тривалий час, перед використанням необхідно підзарядити.

Температура понад 50 °C зменшує потужність змінної акумуляторної батареї. Уникати тривалого нагрівання сонячними променями або системою обігріву.

З'єднувальні контакти зарядного пристрою та змінної акумуляторної батареї повинні бути чистими.

Для забезпечення оптимального строку експлуатації акумуляторні батареї після використання необхідно повністю зарядити.

Для забезпечення максимально можливого терміну експлуатації акумуляторні батареї після зарядки необхідно виймати з зарядного пристрою.

При зберіганні акумуляторної батареї понад 30 днів: Зберігати акумуляторну батарею при температурі приблизно 27 °C в сухому місці.

Зберігати акумуляторну батарею в стані зарядки приблизно 30-50 %. Кожні 6 місяців заново заряджати акумуляторну батарею.

ЗАХИСТ АКУМУЛЯТОРНОЇ БАТАРЕЇ ВІД ПЕРЕВАНТАЖЕННЯ

Акумуляторний блок оснащений захистом від перевантаження, який захищає акумуляторну батарею від перевантаження і забезпечує тривалий термін експлуатації.

При надзвичайно великих навантаженнях робоча лампочка блимає, що свідчить про перевантаження. Якщо навантаження не зменшується, машина автоматично вимикається. Для продовження роботи вимкнути і знов увімкнути машину. Якщо машина не вмикається, можливо, розряджений акумуляторний блок, його необхідно знову зарядити в зарядному пристрої.

ТРАНСПОРТУВАННЯ ЛІТІЙ-ІОННИХ АКУМУЛЯТОРНИХ БАТАРЕЙ

Літій-іонні акумуляторні батареї підпадають під законоположення про перевезення небезпечних вантажів.

Транспортування таких акумуляторних батарей повинно відбуватися із дотриманням місцевих, національних та міжнародних приписів та положень.

• споживачі можуть без проблем транспортувати ці акумуляторні батареї по вулиці.

• Комерційне транспортування літій-іонних акумуляторних батарей експедиторськими компаніями підпадає під положення про транспортування небезпечних вантажів. Підготовку до відправлення та транспортування можуть здійснювати виключно особи, які пройшли відповідне навчання. Весь процес повинні контролювати кваліфіковані фахівці.

При транспортуванні акумуляторних батарей необхідно дотримуватися зазначених далі пунктів:

• Переконайтеся в тому, що контакти захищені та ізольовані, щоб запобігти короткому замиканню.

• Слідкуйте за тим, щоб акумуляторна батарея не переміщувалася всередині упакувань.

• Пошкоджені акумуляторні батареї, або акумуляторні батареї, що потекли, не можна транспортувати.

Для отримання подальших вказівок звертайтеся до своєї експедиторської компанії.

ОБСЛУГОВУВАННЯ

Використовувати комплектуючі та запчастини тільки від AEG. Деталі, заміна яких не описується, замінювати тільки в відділі обслуговування клієнтів AEG (зверніть увагу на брошуру "Гарантія / адреси сервісних центрів").

У разі необхідності можна запросити креслення з зображенням вузлів машини в перспективному вигляді, для цього потрібно звернутися в ваш відділ обслуговування клієнтів або безпосередньо в Techtronic Industries GmbH, Max-Eyth-Straße 10, 71364 Winnenden, Німеччина, та вказати тип машини та шестизначний номер на фірмовій табличці з даними машини.

СИМВОЛИ



УВАГА! ПОПЕРЕДЖЕННЯ! НЕБЕЗПЕЧНО!



Перед будь-якими роботами на машині вийняти змінну акумуляторну батарею



Уважно прочитайте інструкцію з експлуатації перед введенням приладу в дію.



Електроприлади, батареї/акумулятори заборонено утилізувати разом з побутовим сміттям. Електричні прилади і акумулятори слід збирати окремо і здавати в спеціалізовану компанію для утилізації відповідно до норм охорони довкілля. Зверніться до місцевих органів або до вашого дилера, щоб отримати адреси пунктів вторинної переробки та пунктів прийому.



Знак CE



Національний знак відповідності для України



Знак CE



Знак відповідності для Європи та Азії EurASian



Знак відповідності для Європи та Азії EurASian

AEG

POWERTOOLS

www.aeg-powertools.eu

(08.17)
4931 4146 86



Techtronic Industries GmbH
Max-Eyth-Straße 10
71364 Winnenden
Germany