

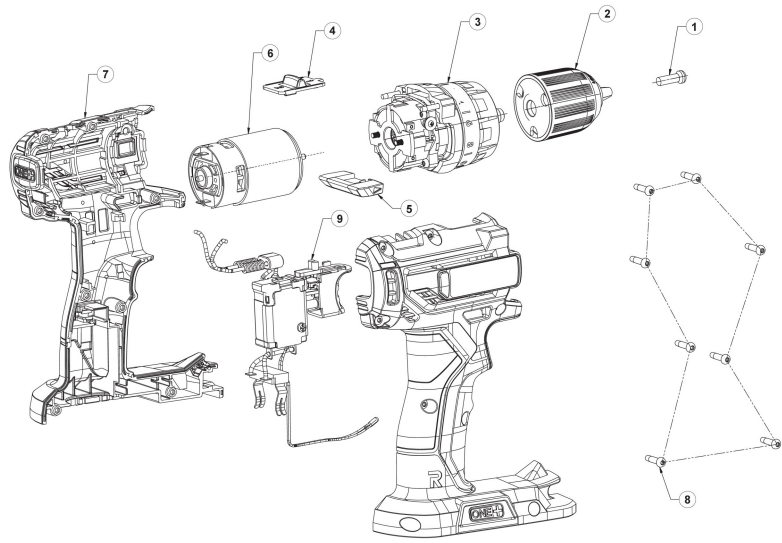
R18DD2-0 18V DRILL DRIVER XXX

5133003816 - R18DD2-0 - 4000462714





4000462714



Position	Quantity	Description	Part number	EAN
1001	1	SCREW	5131030096	4058546122379
1002	1	CLUTCH CHUCK ASS.	5131030095	4058546122362
1003	1	OFFSET GEAR	5131041975	4058546251895
1004	1	PUSH BUTTON	5131041972	4058546251864
1005	1	PUSH BUTTON	5131041970	4058546251840
1006	1	MOTOR	5131041971	4058546251857
1007	1	HOUSING	5131041976	4058546251901
1008	8	SCREW	5131031089	4058546127633
1009	1	SWITCH	5131041974	4058546251888