

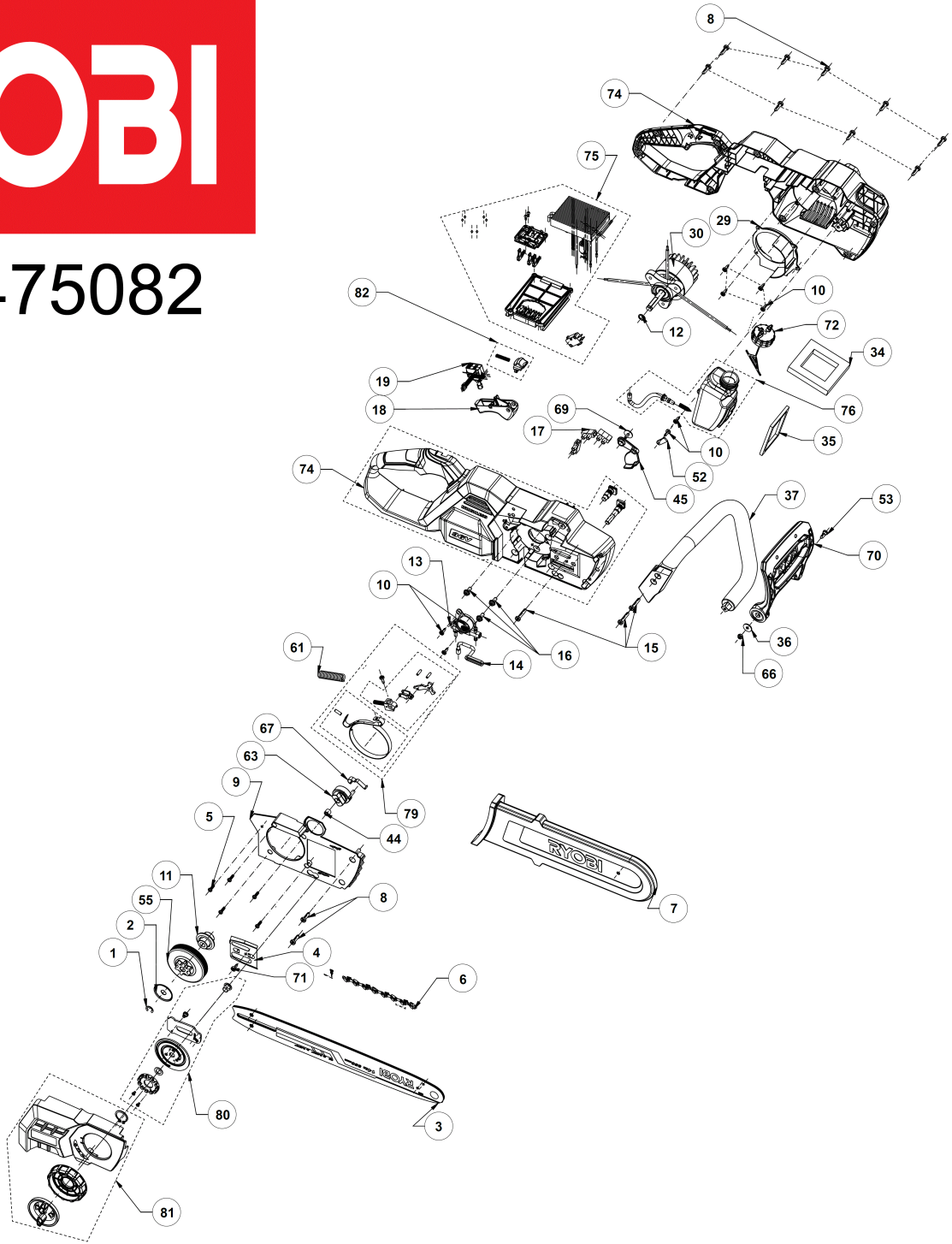
RY36CSX35A-0 BRUSHLESS 35CM CHNSAW XXX

5133004595 - RY36CSX35A-0 - 4000475082





4000475082



| Position | Quantity | Description | Part number | EAN |
|----------|----------|------------------------------------|-------------|---------------|
| 1001 | 1 | CLIP | 5131036231 | 4058546156053 |
| 1002 | 1 | WASHER | 5131036232 | 4058546156060 |
| 1004 | 1 | PLATE | 5131036236 | 4058546156091 |
| 1005 | 5 | SCREW | 5131036235 | 4058546156084 |
| 1007 | 1 | SCABBARDS | 5131042635 | 4058546258498 |
| 1008 | 11 | SCREW | 5131036254 | 4058546156251 |
| 1009 | 1 | GEAR BOX COVER | 5131042637 | 4058546258511 |
| 1010 | 8 | SCREW | 5131036253 | 4058546156244 |
| 1011 | 1 | DRIVE | 5131042638 | 4058546258528 |
| 1012 | 1 | WASHER | 5131042639 | 4058546258535 |
| 1013 | 1 | OIL PUMP | 5131042640 | 4058546258542 |
| 1014 | 1 | CONNECTION CABLE | 5131042641 | 4058546258559 |
| 1015 | 3 | SCREW | 5131036274 | 4058546156459 |
| 1016 | 3 | SCREW | 5131042642 | 4058546258566 |
| 1017 | 3 | CONNECTING WIRE | 5131036251 | 4058546156237 |
| 1018 | 1 | TRIGGER | 5131042643 | 4058546258573 |
| 1019 | 1 | SWITCH | 5131042575 | 4058546257897 |
| 1029 | 1 | CHAIN CLAMP BODY | 5131042645 | 4058546258597 |
| 1030 | 1 | MOTOR | 5131042646 | 4058546258603 |
| 1034 | 1 | FOAM SLUG | 5131042647 | 4058546258610 |
| 1035 | 1 | FOAM SLUG | 5131042648 | 4058546258627 |
| 1036 | 1 | WASHER | 5131040132 | 4058546051945 |
| 1037 | 1 | HANDLE | 5131042649 | 4058546258634 |
| 1044 | 1 | BUSHING | 5131036266 | 4058546156374 |
| 1045 | 1 | CONNECTOR | 5131042650 | 4058546258641 |
| 1052 | 1 | CLAMP | 5131042651 | 4058546258658 |
| 1053 | 1 | SCREW | 5131036273 | 4058546156442 |
| 1055 | 1 | DRIVE WHEEL | 5131042652 | 4058546258665 |
| 1061 | 1 | SPRING | 5131036271 | 4058546156428 |
| 1063 | 1 | DRIVER | 5131042653 | 4058546258672 |
| 1066 | 1 | NUT | 5131040131 | 4058546051938 |
| 1067 | 1 | SPRING | 5131036267 | 4058546156381 |
| 1069 | 1 | SCREW | 5131033545 | 4002395148479 |
| 1070 | 1 | OPERATION LEVER | 5131042654 | 4058546258689 |
| 1071 | 1 | SCREW | 5131040143 | 4058546052058 |
| 1072 | 1 | CAP | 5131040140 | 4058546052027 |
| 1074 | 1 | HOUSING | 5131042655 | 4058546258696 |
| 1075 | 1 | ELECTRONIC | 5131042656 | 4058546258702 |
| 1076 | 1 | TANK | 5131042657 | 4058546258719 |
| 1079 | 1 | BRAKE DISC | 5131042658 | 4058546258726 |
| 1080 | 1 | ADJUSTER | 5131042659 | 4058546258733 |
| 1081 | 1 | GEAR BOX COVER | 5131042660 | 4058546258740 |
| 1082 | 1 | TRIGGER | 5131042661 | 4058546258757 |
| 1003 | 1 | RAC261 36V Gen2 Chainsaw Bar XXX | 5132004772 | 4892210186782 |
| 1006 | 1 | RAC262 36V Gen2 Chainsaw Chain XXX | 5132004773 | 4892210186799 |