

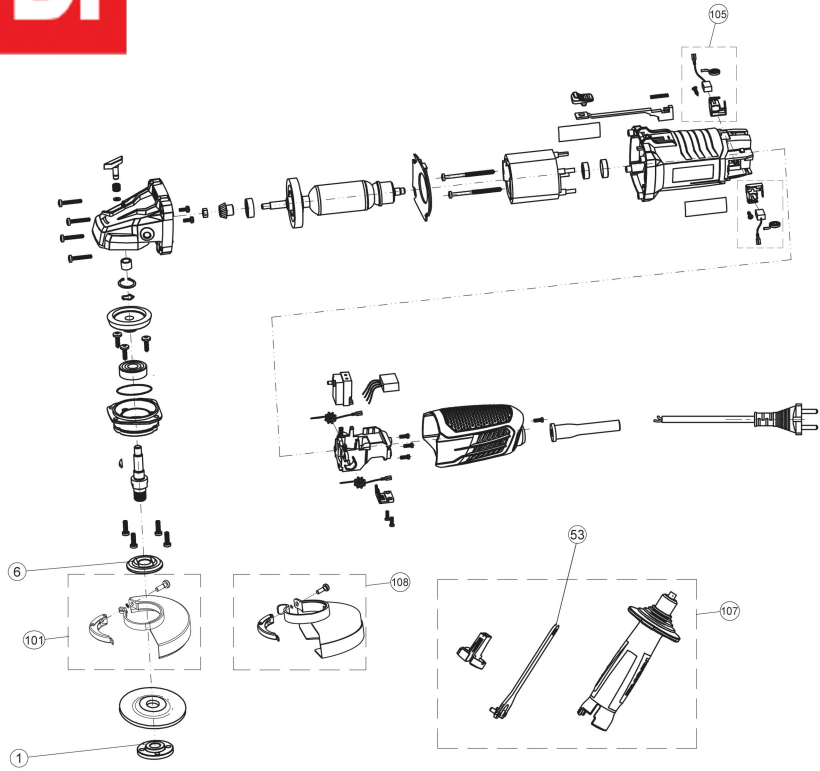
# RAG800-125G Angle grinder GB2

5133002492 - RAG800-125G - 4000444603





4000444540  
4000444541  
4000444602  
4000444603



<b>Position</b>	<b>Quantity</b>	<b>Description</b>	<b>Part number</b>	<b>EAN</b>
1001	1	CLAMPING FLANGE	5131033069	4002395156412
1006	1	CLAMPING FLANGE	5131033070	4002395156429
1053	1	WRENCH	5131033121	4002395156542
1101	1	GUARD CAP	5131033639	4002395148288
1105	1	CARBON BRUSH SET	5131040679	4058546059439
1107	1	AUXILIARY HANDLE	5131041332	4058546065966
1108	1	CUTTING GUARD	5131033640	4002395148295