

GB Not to be reproduced without permission. Unauthorised copies of this document do not constitute CE compliance for the products.

FR Reproduction interdite sans permission préalable. Les copies non autorisées de ce document ne signifient en rien que les produits soient conformes aux normes CE.

DE Vervielfältigung nicht ohne Genehmigung gestattet. Unzulässig erstellte Kopien dieses Dokuments erfüllen nicht die CE-Richtlinien für Produkte.

NL Mag niet worden vermenigvuldigd zonder toestemming. Onrechtmatige kopieën van dit document willen niet zeggen dat de producten voldoen aan de CE-vereisten.

DK Må ikke gengives uden tilladelse. Uautoriserede kopier af dette dokument udgør ikke CE overholdelse for produkterne.

# BOSTITCH®

αντίγραφο του παρόντος εγγράφου δεν αποτελεί συνιμόρφωση CE για τα προϊόντα.



## SAFETY MANUAL

<b>GB</b>	<b>SAFETY AND OPERATING INSTRUCTIONS MANUAL</b> ..... 02 PNEUMATIC AND MANUAL FASTENER DRIVING TOOLS (ORIGINAL INSTRUCTIONS)	<b>PT</b>	<b>MANUAL DE OPERAÇÃO E SEGURANÇA</b> ..... 122 FERRAMENTAS DE INTRODUÇÃO DE FIXADORES O E M PNEUMÁTICAS E MANUAIS (TRADUÇÃO DO ORIGINAL)
<b>FR</b>	<b>MANUEL D'INSTRUCTIONS DE SÉCURITÉ ET D'UTILISATION</b> ..... 14 OUTILS DE FIXATION PNEUMATIQUES ET MANUELS (TRADUCTION DE L'ORIGINAL)	<b>ES</b>	<b>MANUAL DE INSTRUCCIONES DE FUNCIONAMIENTO Y SEGURIDAD</b> ..... 136 HERRAMIENTAS DE DISPOSITIVOS DE FIJACIÓN NEUMÁTICAS Y MANUALES (TRADUCCIÓN DEL ORIGINAL)
<b>DE</b>	<b>TECHNISCHE GERÄTEDATEN</b> ..... 27 PNEUMATISCHE UND MANUELLE KLAMMERGERÄTE (ÜBERSETZUNG DES ORIGINALS)	<b>SE</b>	<b>MANUAL FÖR SÄKERHET OCH ANVÄNDNINGSPROSEDYR</b> ..... 150 PNEUMATISKA OCH MANUELLA FÄSTVERKTYG (ÖVERSÄTTNING AV ORIGINAL)
<b>NL</b>	<b>SICHERHEITS- UND BEDIENUNGSANLEITUNG</b> ..... 41 PNEUMATISCHE EN HANDMATIGE BEVESTIGINGSGEREEDSCHAPPEN (VERTALING VAN ORIGINEEL)	<b>PL</b>	<b>INSTRUKCJA OBSŁUGI I BEZPIECZEŃSTWA</b> ..... 162 PNEUMATYCZNYCH I RĘCZNYCH NARZĘDZI DO MONTAŻU/WBIJANIA ŁĄCZNIKÓW (TŁUMACZENIE Z WERSJI ORYGINALNEJ)
<b>DK</b>	<b>SIKKERHEDS- OG DRIFTSVEJLEDNINGHÅNDBOG</b> ..... 55 TRYKLUFTS- OG HÅNDBETJENTE NITTEPLACERINGSVÆRKTØJER (OVERSÆTTELSE AF ORIGINAL)	<b>CZ</b>	<b>PŘÍRUČKA O BEZPEČNOSTI A OBSLUZE</b> ..... 176 PNEUMATICKÉ A RUCNÍ NÁŘADÍ NA PŘIBLÍŽENÍ SPON/HŘEBÍKŮ (PREKLAD ORIGINÁLU)
<b>FI</b>	<b>TURVALLISUUS- JA KÄYTTÖOHJEKIRJA</b> ..... 68 PAINELMA- JA KÄSIKÄYTTÖISET NAULAINTYÖKALUT (KÄÄNNÖS ALKUPERÄISESTÄ)	<b>SK</b>	<b>BEZPEČNOSTNÉ POKYNY A NÁVOD NA POUŽITIE</b> ..... 189 PNEUMATICKÉ A MANUÁLNE NÁSTROJE NA POSUN SVORIEK (PREKLAD ORIGINÁLU)
<b>GR</b>	<b>ΕΓΧΕΙΡΙΔΙΟ ΟΔΗΓΙΩΝ ΑΣΦΑΛΕΙΑΣ ΚΑΙ ΛΕΙΤΟΥΡΓΙΑΣ</b> ..... 80 ΠΝΕΥΜΑΤΙΚΩΝ ΚΑΙ ΧΕΙΡΟΚΙΝΗΤΩΝ ΕΡΓΑΛΕΙΩΝ ΣΤΕΡΕΩΣΗΣ ΣΥΝΔΕΤΗΡΩΝ (ΜΕΤΑΦΡΑΣΗ ΑΠΟ ΤΟ ΠΡΩΤΟΤΥΠΟ)	<b>HU</b>	<b>BIZTONSÁGI ÉS ÜZEMELTETÉSI UTASÍTÁSOK</b> ..... 202 PNEUMATIKUS ÉS MANUÁLIS KÖTŐELEM-MEGHAJTÓ SZERSZÁMOK (EREDETI SZÖVEG FORDÍTÁSA)
<b>IT</b>	<b>MANUALE DI SICUREZZA ED ISTRUZIONI D'USO</b> ..... 96 UTENSILI PER DISPOSITIVI DI FISSAGGIO PNEUMATICI E MANUALI (TRADUZIONE DELL'ORIGINALE)	<b>RO</b>	<b>MANUAL CU INSTRUCȚIUNI DE OPERARE ȘI SIGURANȚĂ</b> ..... 215 UNELTE PNEUMATICE ȘI MANUALE DE ANTRENARE A ELEMENTELOR DE FIXARE (EREDETI SZÖVEG FORDÍTÁSA)
<b>NO</b>	<b>SICHERHETS- OG BETJENINGSMANUAL</b> ..... 110 PNEUMATISKE OG MANUELLE FESTEVERKTØY (OVERSETTELSE FRA ORIGINAL)		



## SAFETY AND OPERATION MANUAL



**BEFORE OPERATING THIS TOOL, ALL OPERATORS SHOULD STUDY THIS MANUAL AND THE TOOL TECHNICAL DATA TO UNDERSTAND AND FOLLOW THE SAFETY WARNINGS AND INSTRUCTIONS. KEEP THESE INSTRUCTIONS WITH THE TOOL FOR FUTURE REFERENCE. IF YOU HAVE ANY QUESTIONS, CONTACT YOUR BOSTITICH REPRESENTATIVE OR DISTRIBUTOR.**

BEFORE OPERATING THIS TOOL, REFER TO TOOL DATA TABLE; COLUMN L IN THE TOOL TECHNICAL DATA MANUAL TO IDENTIFY THE OPERATING SYSTEM ON YOUR TOOL.

**These fastener driving tools are professional power tools.**

DO NOT let children come into contact with the tool. Supervision is required when inexperienced operators use this tool.

- Young children and the infirm. This appliance is not intended for use by young children or infirm persons without supervision.
- This product is not intended for use by persons (including children) suffering from diminished physical, sensory or mental abilities; lack of experience, knowledge or skills unless they are supervised by a person responsible for their safety. Children should never be left alone with this product.
- Only technically skilled operators should use the fastener driving tool.
- Do not modify the fastener driving tool. Modifications may reduce the effectiveness of safety measures and increase the risks to the operator and/or bystander.

BOSTITICH tools are precision built and designed for high speed, high volume fastening. They will deliver efficient, dependable service when used correctly and with care. As with any fine power tool, the manufacturer's instructions must be followed for best results. Please study this manual and understand the safety warnings and cautions before operating the tool. The instructions on installation, operation and maintenance should be read carefully and the manuals kept for reference. Note: Additional safety measures may be required because of your particular application of the tool. Contact your BOSTITICH representative or distributor with any questions concerning the tool and its use.

## NOTE:

BOSTITICH tools have been designed to provide excellent customer satisfaction and are designed to achieve maximum performance when used with precision BOSTITICH fasteners engineered to the same exacting standards.

**BOSTITICH cannot assume responsibility for product performance if any of our tools are used with fasteners or accessories not meeting the specific requirements established for genuine BOSTITICH nails, staples and accessories.**

## LIMITED WARRANTY

BOSTITICH is confident of the quality of its products and offers a guarantee for professional users of the product. This guarantee statement is in addition to and in no way prejudices your contractual rights as a professional user or your statutory rights as a private non-professional user. The guarantee is valid within the territories of the Member States of the European Union and the European Free Trade Area.

If your BOSTITICH product becomes defective due to faulty materials or workmanship within 12 months from the date of purchase, BOSTITICH guarantees to replace all defective parts free of charge or – at our discretion – replace the unit free of charge provided that:

- **The product has not been misused**
- **The product has been subject to fair wear and tear; Driver blades, bumpers, and O rings are considered normally wearing parts and are excluded**
- **Repairs have not been attempted by unauthorised persons**
- **Proof of purchase is produced**
- **The product is returned complete with all original components**
- **The product is returned at your expense together with proof of purchase to our regional repair centre, or an authorised warranty centre.**

If you wish to make a claim, contact your seller or check the location of your nearest authorised BOSTITICH repair agent in the BOSTITICH catalogue or contact your BOSTITICH office at the address indicated in this manual.

## SPECIAL REFERENCES

Only those fasteners that are specified in the operating instructions (see Tool Technical data) should be used in the tool. The tool and the specified fasteners are to be considered as one single safety system for safety purposes.

Always check the tool before use for broken, misconnected or worn parts.

Repairs shall only be carried out by the authorized agents of BOSTITCH or by other experts, giving due regard to the safety, operating and maintenance instructions in this manual, the specific tool manual and in the Tool Technical Data.

**Note:** Experts are those who, as a result of professional training or experience, have acquired sufficient expertise in the field of fastener driving tools as to be able to assess the safe condition of fastener driving tools.

Stands or jigs for mounting the tool to a support, for example a work table, shall be designed and constructed by the stand manufacturer in such a way that the fastener driving tools can be safely fixed for the intended use, thus avoiding for example damage, distortion or displacement.

## SAFETY INSTRUCTIONS



**EYE PROTECTION** which provides protection against flying particles both from the **FRONT** and **SIDE** should always be worn by the tool operator and others in the work area when loading, operating or servicing this tool. Eye protection is required to guard against flying fasteners and debris, which could cause severe eye injury. The employer and/or user must ensure that proper eye protection is worn.

Eye protection in accordance with 89/686/EEC, and with equal or greater grade than defined in EN166 should be used. However all aspects of operators work, environment and other type/s of machinery being used, should also be considered when selecting any personal protection equipment.



**CAUTION: ADDITIONAL SAFETY PROTECTION** may be required in some environments. For example, the working area may include exposure to noise levels that can lead to hearing damage. The employer and user should ensure that any necessary hearing protection is provided and used by the operator and others in the work area. Some environments will require the use of head protection equipment. When required, the employer and user must ensure that head protection is used.

## NOISE HAZARDS

- Unprotected exposure to high noise levels can cause permanent, disabling, hearing loss and other problems such as tinnitus (ringing, buzzing, whistling or humming in the ears).
- Risk assessment and implementation of appropriate controls for these hazards are essential.
- Appropriate controls to reduce the risk may include actions such as damping materials to prevent workpieces from “ringing”.
- Use appropriate hearing protection.
- Operate and maintain the tool as recommended in these instructions, to prevent an unnecessary increase in noise levels.
- If the tool has a silencer, always ensure it is in place and in good working order when the tool is being operated.

## VIBRATION HAZARDS

- Information to conduct a risk assessment of these hazards and implementation of appropriate controls is essential.
- Exposure to vibration can cause disabling damage to the nerves and blood supply of the hands and arms.
- Wear warm clothing when working in cold conditions, keep your hands warm and dry.
- If you experience numbness, tingling, pain or whitening of the skin in your fingers or hands, seek medical advice from a qualified occupational health professional regarding overall activities.
- Operate and maintain the tool as recommended in these instructions, to prevent an unnecessary increase in vibration levels.
- Hold the tool with a light, but safe, grip because the risk from vibration is generally greater when the grip force is higher.

## SAFETY INSTRUCTIONS FOR AIR SUPPLY AND CONNECTIONS



Do not use oxygen and combustible gases as an energy source for pneumatically operated tools.

Do not use bottled gases or an air supply where the maximum pressure in the line can potentially exceed the maximum pressure stated in the specific tool manual as the tool may burst, possibly causing injury.

If the maximum air supply pressure could exceed these pressures, then a pressure reducing valve with a downstream safety valve shall be built into the air supply.

- Do not pull the trigger or depress the safety yoke while connecting to the air supply. The tool could cycle, possibly causing injury.
- The connector on the tool must not hold pressure when the air supply is disconnected. If a wrong fitting is used, the tool can remain charged with air after disconnecting and thus will be able to drive a fastener even after the air line is disconnected possibly causing injury.
- Always disconnect air supply: 1) Before making adjustments; 2) When servicing the tool; 3) When clearing a jam; 4) When tool is not in use; 5) When moving to a different work area, as accidental actuation may occur, possibly causing injury.

### ⚠ SAFETY INSTRUCTIONS FOR LOADING TOOL

When loading the tool: 1) Never place a hand or any part of the body in fastener discharge area of the tool; 2) Never point the tool at self or anyone else; 3) Do not pull the trigger or depress the safety yoke as accidental actuation may occur, possibly causing injury.

**Note: See the separate Tool Technical Data manual for specific loading instructions and dimensions of recommended fasteners.**

### ⚠ SAFETY INSTRUCTIONS FOR TOOL OPERATION

- Always handle the tool with care: 1) Never engage in horseplay; 2) Never pull the trigger unless nose is directed towards the work; 3) Keep others at a safe distance from the tool while tool is in operation as accidental actuation may occur, possibly causing injury.
- The operator must not hold the trigger pulled on tools fitted with a safety yoke (sometimes called safety trip) except during fastening operation as serious injury could result if the safety yoke accidentally contacts someone or something, causing the tool to cycle.
- Keep hands and body away from the discharge area of the tool. A tool fitted with a safety yoke may bounce from the recoil of driving a fastener and an unwanted second fastener may be driven possibly causing injury.
- Check operation of the safety yoke mechanism frequently. Do not use the tool if the arm is not

working correctly as accidental driving of a fastener may result. Do not interfere with the proper operation of the safety yoke mechanism.

- Do not drive fasteners on top of other fasteners as this may cause deflection of fasteners which could cause injury.
- Do not drive fasteners close to the edge of the work piece as the wood may split allowing the fastener to be deflected possibly causing injury.
- Do not overreach. Only use in a safe working place. Keep proper footing and balance at all times.
- Keep bystanders away (when working in an area where there is a likelihood of through traffic of people). Clearly mark off your operating area.
- Always use the second handle (if supplied).
- Only wear gloves that provide adequate feel and safe control of triggers and any adjusting devices.
- During operation, debris from workpiece and fastening/collation system may be discharged.
- Be careful with tools without workpiece contact as they can be fired unintentionally and injure operator and/or bystander.
- Ensure tool is always safely engaged on the workpiece and cannot slip.
- Maintain a balanced body position and secure footing.
- Appropriate safety glasses shall be used and appropriate gloves and protective clothing are recommended.

### ⚠ SAFETY INSTRUCTIONS FOR TOOL MAINTENANCE

When working on air tools note the warnings in this manual, in the tool specific instructions and on the tool itself and use extra care when evaluating problem tools.

### ⚠ AIR SUPPLY AND CONNECTIONS

When connecting tools to the air supply, the fastener discharge area of the tool should be pointed away from the operator and others in the working area. Place the discharge area of the tool over a test piece of material of sufficient thickness which will fully accommodate the dimensions of the fastener to be driven. With limbs and body clear of the discharge area the tool the air supply may now be connected.

To prevent accidental actuation and possible injury, always disconnect air supply:

1. Before making adjustments.
2. When servicing the tool.
3. When clearing a jam.
4. When tool is not in use.
5. When moving to a different work area, as accidental actuation may occur, possibly causing injury.

- Compressors must be adequately dimensioned to ensure sufficient pressure and volumetric flow for the expected use. Pressure drops in the air supply can reduce the tool's driving power. Refer to the Tool Technical Data for setting the correct pressure for the tool.
- Industrial air lines should be laid out on a gradient, with the highest point nearest the compressor. Easily accessible water traps should be installed at the lowest points - Drain water traps at least daily, or more often if necessary. Dirt and water in the air supply are major causes of wear in pneumatic tools. Connecting points for the tool should be fitted with a filter/regulator/service unit directly at the connecting point. A filter will help get the best performance and minimize wear. The filter must have adequate flow capacity for the specific installation. The filter has to be kept clean to be effective in providing clean compressed air to the tool. Consult the manufacturer's instructions on the proper maintenance of your filter. A dirty and clogged filter will cause a pressure drop which will reduce the tool's performance.
- Junctions from industrial air lines to the tool should be from the top of the air line.
- Air hoses should have a minimum of 10.6 Bar working pressure rating or 150% of the maximum pressure that could be provided in the air system. The supply hose should contain a fitting that will supply "quick disconnecting" from the male plug on the tool.
- Ensure that the pressure supplied to the tool does not exceed the maximum allowable working pressure, called ps max. (see Tool Technical Data); Initially set the supply pressure to the lowest recommended working pressure (see Tool Technical Data).
- Check that the tool is functioning correctly by applying the nose to a piece of scrap wood and pulling the trigger once or twice.

## LUBRICATION

- Frequent, but not excessive lubrication is required for best performance. Oil added through the air line connection will lubricate the internal parts. For details of the correct lubricant see the Tool Technical Data. Do not use detergent oil or additives as these lubricants will cause accelerated wear to the seals and bumpers in the tool, resulting in poor tool performance and frequent tool maintenance.
- If no airline lubricator is used, add oil during use into the air fitting on the tool once or twice a day. Only a few drops of oil (3-5) at a time are necessary. Too much oil will only collect inside the tool and will be noticeable in the exhaust cycle.
- Cold weather operation. - For cold weather operation, near and below freezing, the moisture in the air line may freeze and prevent the tool operation. We recommend the use of BOSTITCH Winter Formula air tool lubricant or permanent antifreeze (ethylene glycol) as a cold weather lubricant.

**Caution** - To prevent frost or ice formation on the tool's operating valves and mechanisms that could cause tool failure, do not store the tool in a cold weather environment.

**Note:** Some commercial air line drying liquids are harmful to "O"-rings and seals - do not use these low temperature air dryers without checking compatibility.

## ⚠ OPERATION

**EYE PROTECTION** which provides protection against flying particles both from the **FRONT** and **SIDE** should always be worn by the tool operator and others in the work area when loading, operating or servicing this tool. Eye protection is required to guard against flying fasteners and debris, which could cause severe eye injury. The employer and/or user must ensure that proper eye protection is worn.

Eye protection equipment must provide both frontal and side protection. **Note:** Non-side shielded spectacles and face shields alone do not provide adequate protection.

**⚠ WARNING!** If the tool has been dropped or you suspect tool damage perform tool operation check as defined in the tool operation check section.

## TO PREVENT ACCIDENTAL INJURIES:

- Never place a hand or any other part of the body in fastener discharge area of tool while the air supply is connected.

• Never point the tool at anyone else.

• Always handle the tool with care.

• Never engage in horseplay.

• Do not pull the trigger or depress the safety yoke while loading the tool.

• Never pull the trigger unless nose is directed at the work.

**TYPES OF OPERATION : BOSTITCH offer SEVEN types of operation:**

Operation Type	Tool Manual Reference	Safety Yoke / Safety Trip
CONTACT ACTUATION MODE	1	✓
PARTIAL SEQUENTIAL ACTUATION MODE	2	✓
FULL SEQUENTIAL ACTUATION MODE	2A	✓
TRIGGER OPERATED	3	✗
CONTINUOUS CONTACT ACTUATION OPERATION	4	✓
CONTINUOUS TRIGGER OPERATION, OR "AUTOMATIC OPERATION"	5	✗
SELECTABLE ACTUATION MODE	6	✓

**TOOLS WITHOUT A SAFETY YOKE (SOMETIMES CALLED SAFETY TRIP)**

- **two operating types possible:**

**TRIGGER OPERATED**

(Reference 3 in Technical Data Table, column L(a))

The Trigger Operated model is cycled by actuation of the trigger only. This model does not have a safety yoke and is intended for use only where a safety yoke CANNOT be used to satisfy the requirements of the application. The Trigger Operated Tool will cycle each time the trigger is actuated.

**CONTINUOUS TRIGGER OPERATION, OR "AUTOMATIC OPERATION"**

(Reference 5 in Technical Data Table, column L(a))

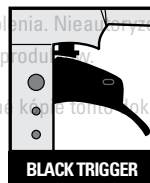
The Continuous Trigger Operated model allows driving cycles to be repeated for as long as the trigger remains actuated. This model does not have a safety yoke and is intended for use only where a safety yoke cannot be used to satisfy the requirements of the application.

**TOOLS WITH A SAFETY YOKE (SOMETIMES CALLED SAFETY TRIP)**

- **five operating types possible:**

All tools with a safety yoke are marked with an inverted equilateral triangle (t). Do not attempt to use a tool marked in this way if the safety yoke is missing or appears damaged.

Most tools are equipped with a safety yoke that is normally in the "extended" or "down" position (Reference 1 in the Technical Data Table, column L(b)). Some tools are equipped with a safety yoke that is normally in the "depressed" or "up" position (Reference 2 in Technical Data Table, column L(b)). Consult the Tool Technical Data manual specific to your tool for full instructions on this feature.



**CONTACT ACTUATION MODE (BLACK TRIGGER) (Reference 1 in Technical Data Table, column L(a))**

The common operating procedure on "Contact Mode" or "Bump Mode" tools is for the operator to actuate the safety yoke while keeping the trigger pulled, thus driving a fastener each time the work is contacted. This will allow rapid fastener placement on many jobs, such as crate and

pallet assembly. All pneumatic tools are subject to recoil when driving fasteners. The tool may bounce, releasing the safety yoke and if unintentionally allowed to re-contact the work surface with the trigger still actuated (finger still holding the trigger pulled) an unwanted second fastener will be driven.

tool has a positive safety advantage because it will not accidentally drive a fastener if the tool is contacted against the work - or anything else - while the operator is holding the trigger pulled.



**⚠ WARNING!** Tools marked with this symbol have either contact actuation, continuous contact actuation or selectable actuation.



These tools are designed for use in production applications such as pallets, furniture, manufactured housing or upholstery. **DO NOT** use this tool in contact actuation for applications such as closing boxes or crates and fitting transportation safety systems on trailers and lorries. This tool shall only be used in safe working places. Care must be taken to prevent accidental actuation when changing from one working position to another.

### CONTINUOUS CONTACT ACTUATION OPERATION.

(Reference 4 in Technical Data Table, column L(a))  
The Continuous Contact Operation tools allow driving cycles to be repeated for as long as the trigger and the safety yoke remains actuated.

Before handling or operating this tool:

Read and understand the warnings contained in this manual. Refer to the Tool Technical Data to identify the operating system on your tool.

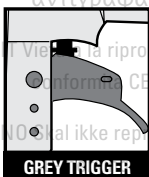


**⚠ WARNING!** Tools marked with this symbol have either contact actuation, continuous contact actuation or selectable actuation.



These tools are designed for use in production applications such as pallets, furniture, manufactured housing or upholstery. **DO NOT** use this tool in contact actuation for applications such as closing

boxes or crates and fitting transportation safety systems on trailers and lorries. This tool shall only be used in safe working places. Care must be taken to prevent accidental actuation when changing from one working position to another.



### SEQUENTIAL ACTUATION - 2 TYPES (GREY TRIGGER):

**TYPE 1: PARTIAL SEQUENTIAL ACTUATION MODE**  
(Reference 2 in Technical Data Table, column L(a))

The partial sequential actuation mode requires the operator to hold the tool against the work with the safety yoke depressed before pulling the trigger. In order to drive additional fasteners, the trigger must be released and depressed again for the tool to operate. The tool will continue to operate each time the trigger is depressed while the tool is still held against the workpiece.

**TYPE 2: FULL SEQUENTIAL ACTUATION MODE**  
(Reference 2A in Technical Data Table, column L(a))

The full sequential actuation mode operates in a similar way to the partial sequential actuation mode except that in order to drive additional fasteners, the trigger must be released and the tool lifted away from the work and pressed again against the work, before repeating.

Both kinds of sequential mode make accurate fastener placement easier, for instance on framing, toe nailing and crating applications. The sequential mode allows exact fastener location without the possibility of driving a second fastener on recoil, as described under Contact Actuation Mode (below). The sequential mode



**SELECTABLE ACTUATION MODE**  
(Reference 6 in Technical Data Table, column L(a))

Some tools are fitted with a selectable mode that allows the user to change between sequential actuation mode and contact actuation mode.

The type of mode selected is indicated by the position of the mode switch. When pointing down to the multiple nail icon stamped into the tool frame, Contact Actuation Mode is selected. When pointing up to the single nail icon stamped in the tool frame, Sequential Actuation Mode is selected. Read and understand the above sections headed Contact Actuation Mode and Sequential Actuation Mode before selecting the required mode.

Consult the Tool Technical Data manual specific to your tool for full instructions on how to use this feature.



**⚠ WARNING!** Tools marked with this symbol have either contact actuation, continuous contact actuation or selectable actuation.

These tools are designed for use in production applications such as pallets, furniture, manufactured housing or upholstery. **DO NOT** use this tool in contact actuation for applications such as closing boxes or crates and fitting transportation safety systems on trailers and lorries. This tool shall only be used in safe working places. Care must be taken to prevent accidental actuation when changing from one working position to another.

## CONTACT ACTUATION OPERATION

A) With the finger off the trigger, press the safety yoke against the work surface.

**THE TOOL MUST NOT CYCLE.**

B) Hold the tool off the work surface and, avoiding to point the tool at self or others, pull the trigger.

**THE TOOL MUST NOT CYCLE.**

C) With the tool off the work surface, pull the trigger. Press the safety yoke against the work surface

**THE TOOL MUST CYCLE.**

D) Without touching the trigger, press the safety yoke against the work surface then pull the trigger.

**THE TOOL MUST CYCLE.**

## TOOL OPERATION CHECK

**CAUTION:** Remove all fasteners from tool before performing tool operation check.

**⚠ WARNING!** If the tool has been dropped or you suspect tool damage perform tool operation check as defined in the tool operation check section.

### TRIGGER OPERATED TOOL:

A) With the finger off the trigger, hold the tool with a firm grip on the handle.

B) Place the nose of the tool against the work surface.

C) Pull the trigger to drive a fastener. Release the trigger and the cycle is complete.

**CAUTION:** The tool will cycle each time the trigger is pulled!

### CONTINUOUS TRIGGER OPERATION, OR "AUTOMATIC OPERATION" TOOL

A) With the finger off the trigger, hold the tool with a firm grip on the handle.

B) Place the nose of the tool against the work surface.

C) Pull the trigger and slide the tool either from side to side or backwards/forwards. The tool will continue to cycle until the trigger is released.

**CAUTION:** Ensure that the tool is kept firmly against the work surface and does not come close to the edges of the work surface while working. A fastener could be expelled into the air and possibly cause injury.

### PARTIAL SEQUENTIAL TRIP OPERATION

A) Without touching the trigger, press the safety yoke against the work surface.

**THE TOOL MUST NOT CYCLE.**

B) Hold the tool off the work surface and, avoiding to point the tool at self or others, pull the trigger.

**THE TOOL MUST NOT CYCLE.**

C) With the tool off the work surface, pull the trigger. Press the safety yoke against the work surface

**THE TOOL MUST NOT CYCLE.**

D) Without touching the trigger, press the safety trip against the work surface then pull the trigger.

**THE TOOL MUST CYCLE.**

E) With the safety trip still pressed against the work surface, pull the trigger again.

**THE TOOL MUST CYCLE.**

### FULL SEQUENTIAL TRIP OPERATION

A) Without touching the trigger, press the safety yoke against the work surface.

**THE TOOL MUST NOT CYCLE.**

B) Hold the tool off the work surface and, avoiding to point the tool at self or others, pull the trigger.

**THE TOOL MUST NOT CYCLE.**

C) With the tool off the work surface, pull the trigger. Press the safety yoke against the work surface

**THE TOOL MUST NOT CYCLE.**

D) Without touching the trigger, press the safety trip against the work surface then pull the trigger.

**THE TOOL MUST CYCLE.**



E) With the safety trip still pressed against the work surface, pull the trigger again.

**THE TOOL MUST NOT CYCLE.**

### CONTINUOUS CONTACT ACTUATION OPERATION:

A) With the finger off the trigger, press the safety yoke against the work surface.

**THE TOOL MUST NOT CYCLE.**

B) Hold the tool off the work surface and, avoiding to point the tool at self or others, pull the trigger.

**THE TOOL MUST NOT CYCLE.**

C) With the tool off the work surface, pull the trigger. Press the safety yoke against the work surface and slide the tool either from side to side or backwards/forwards.

**THE TOOL MUST CYCLE AND KEEP CYCLING UNTIL EITHER THE TRIGGER IS RELEASED OR THE TOOL IS LIFTED AWAY FROM THE WORK SURFACE.**

D) Without touching the trigger, press the safety yoke against the work surface then pull the trigger.

**THE TOOL MUST CYCLE AND KEEP CYCLING UNTIL EITHER THE TRIGGER IS RELEASED OR THE TOOL IS LIFTED AWAY FROM THE WORK SURFACE.**

## TOOL USE

Having checked that the tool is working properly, press the nose against the work piece and pull the trigger. Check whether the fastener has been driven as required.

• If the fastener is not driven deep enough, increase the air pressure by 0.5 Bar (5-6 PSI) at a time, checking the result after each adjustment. Do not exceed the maximum permissible working pressure (see Tool Technical Data)

• If the fastener is driven too deeply, reduce the air pressure by 0.5 Bar (5-6 PSI) at a time, checking the result after each adjustment. Do not try to use less than the recommended minimum working pressure (see Tool Technical Data).

Always try to work with the lowest possible air pressure. This will reduce the noise and vibration produced and will extend the life of the internal components such as the bumper.

RO Reproducerea neautorizatã este interzisã. Copiile neautorizate nu pot constitui CE pentru produse.

## IN ADDITION TO THE OTHER WARNINGS IN THIS MANUAL, OBSERVE THE FOLLOWING FOR SAFE OPERATION:

- Respect your BOSTITCH pneumatic fastening tool as a tool. It is not a toy. No Horseplay
- Use the BOSTITCH pneumatic tool only for the purpose for which it was designed.
- Never use the tool in a manner that could cause a fastener to be directed towards the user or others in the work area.
- Do not use the tool as a hammer.
- Always carry the tool by the handle. Never carry the tool by the air hose. Never carry the tool with the trigger pulled.
- Do not alter or modify this tool from the original design or function without the written approval of BOSTITCH
- Always be aware that misuse and improper handling of this tool can cause injury to yourself and others.
- Never clamp or tape the trigger or safety yoke in an actuated position.
- Never leave a tool unattended with the air hose attached.
- Do not operate this tool if it does not contain a legible WARNING LABEL.
- Do not continue to use a tool that leaks air or does not function properly. Notify your nearest BOSTITCH representative if your tool continues to experience functional problems.
- During operation, hold the tool in such a way that no injuries can be caused to the head or to the body should the tool recoil increase due to a drop in the supply air pressure or hard areas within the work piece.
- Do not work close to corners or at the edge of the work piece. The fastener could slip out of the work piece, possibly causing injury.
- When transporting the tool, disconnect the air supply first.
- Check that the safety yoke (if present) and the trigger both function correctly.
- Do not dismantle or block any part of the tool, in particular not the safety yoke.
- Avoid weakening the tool by punching or engraving.



- Do not use damaged, frayed or deteriorated air hoses and fittings



- Do not carry the tool by the hose.

- Be careful when using pneumatic tools as the tool could become cold, affecting grip and control

### Repetitive motions hazards

- When using a tool for long periods, the operator may experience discomfort in the hands, arms, shoulders, neck, or other parts of the body.

The following apply:

- While using a tool, the operator shall adopt a suitable but ergonomic posture. Maintain secure footing and avoid awkward or off-balanced postures.
- If the operator experiences symptoms such as persistent or recurring discomfort, pain, throbbing, aching, tingling, numbness, burning sensation, or stiffness, do not ignore these warning signs. The operator shall consult a qualified health professional regarding overall activities.

### Workplace hazards

- Slips, trips and falls are major causes of workplace injury. Be aware of slippery surfaces caused by use of the tool and also of trip hazards caused by the airline hose.
- Proceed with additional care in unfamiliar surroundings. Hidden hazards may exist, such as electricity or other utility lines.
- This tool is not intended for use in potentially explosive atmospheres and is not insulated from coming into contact with electric power.
- Make sure there are no electrical cables, gas pipes etc. that could cause a hazard if damaged by use of the tool.

### Residual Risks

The following risks are inherent to the use if these machines:

- Injuries caused by improper handling of the tool.
- Loss of control due to not gripping tool firmly.
- Muscle strain of arms and hands, especially when working overhead. Always take regular breaks when working for long periods of time.

In spite of the application of the relevant safety regulations and the implementation of safety devices, certain residual risks cannot be avoided. These are:

- Impairment of hearing
- Risk of personal injury due to flying particles
- Risk of burns due to accessories becoming hot during operation.
- Risk of personal injury due to prolonged use.
- Loss of control caused by recoil.
- Risk of injury caused by pinch points, sharp edges and improper handling of workpiece.
- Risk of injury caused by sharp edges when changing nails or inserting stick nails.

### NOISE EMISSION (See Tool Technical Data)

The characteristic noise values for the tool have been determined in accordance with EN 12549 - "Acoustics - Noise test code for fastener driving tools - Engineering Method."

These values are tool related characteristic values and do not represent the noise development at the point of use. Noise development at the point of use will depend for example on the working environment, the work piece, the work piece support and the number of driving operations, etc.

Depending on the conditions at the workplace and the form of the work piece, individual noise attenuation measures may need to be carried out, such as placing work pieces on sound damping supports, preventing work piece vibration by means of clamping or covering, adjusting to the minimum air pressure required for the job, etc.

### INFORMATION ON VIBRATION (see Tool Technical Data)

The characteristic vibration value for the tool has been determined in accordance with ISO/WD 8662-11 "Measurement of vibration in hand held power tools - Part 11 Fastener Driving Tools".

This value is a tool related characteristic and does not represent the influence on the hand-arm system when using the tool. An influence on the hand-arm system when using the tool will depend for example on the gripping force, the contact force, the working direction, the working direction, the adjustment of the compressed air supply, the work piece, the work piece support, etc.

GB Not to be reproduced without permission. Unauthorized copies of this document do not constitute CE compliance for the products.  
 FR Reproduction interdite sans permission préalable. Les copies non autorisées de ce document ne signifient en rien que les produits soient conformes aux normes CE.  
 DE Vervielfältigung nicht ohne Genehmigung gestattet. Unzulässige Kopien dieses Dokuments erfüllen nicht die CE-Richtlinien für Produkte.



- A) To air system
- B) Main lines (3 x air tool inlet size)
- C) To air tool
- D) Emergency gate valve
- E) Lubricator
- F) Regulator
- G) Branch line (2 x airtool inlet size)
- H) Drain
- I) Compressor
- J) Filter
- K) 1/4" NPT High Flow Fitting
- L) Air hose 3/8" (10mm) I.D. Min

PT Reprodução proibida sem autorização prévia. As cópias não autorizadas deste documento não estão em conformidade com as normas CE dos produtos.

**PLACING TOOL IN SERVICE**

An air filter unit (J) should be placed between the air compressor and air lubricator to promote clean air delivery to the tool. Water and dirt can damage the pneumatic tools (see diagram above).

- Only genuine BOSTITCH replacement parts should be used. Do not use modified parts or parts that will not give performance equal to the original equipment.

**TROUBLESHOOTING & MAINTENANCE**

Repairs shall only be carried out by the authorized agents of BOSTITCH or by other experts, giving due regard to the safety, operating and maintenance instructions in this manual, the specific tool manual and in the Tool Technical Data.

- When maintaining a tool, make sure the internal parts are clean and lubricated. Use Parker "O"-Lube or equivalent on all "O"-rings. Coat each "O"-ring with "O"-Lube before assembling. Use a small amount of oil on all moving surfaces and pivots. After reassembly add a few drops of BOSTITCH Air Tool Lubricant through the airline before testing.
- For further instructions relating specifically to the maintenance of your tool, refer to the Tool Technical Data.

- Disconnect the tool from the air supply and completely empty the magazine before starting maintenance or repairs. Note the warnings in this manual in the Tool Technical Data and on the tool itself and use extra care when evaluating problem tools.
- If the problem cannot be resolved using the guide below, Contact your nearest Bostitch representative or distributor.

RO Reproducerea neautorizată este interzisă. Copiile neautorizate ale acestui document nu reprezintă conformitatea CE pentru produse.

PROBLEM	CAUSE	CORRECTION
Failure to cycle	Air supply restriction	Check air supply equipment
	Tool dry, lack of lubrication	Use BOSTITCH Air Tool Lubricant
	Worn head valve O-rings (if present)	Replace O-rings
	Broken cylinder cap spring	Replace cylinder cap spring
	Head valve (if present) stuck in cap	Disassemble/Check/Lubricate
Lack of power; slow to cycle	Air pressure too low	Check air supply equipment
	Tool dry, lacks lubrication	Use BOSTITCH Air Tool Lubricant
	Broken cylinder cap spring	Replace cylinder cap spring
	O-rings/seals cut or cracked	Replace O-rings/seals
	Exhaust blocked	Check bumper, head valve spring, muffler
	Trigger assembly worn/leaks	Replace trigger assembly
	Cylinder sleeve not seated correctly on bottom bumper	Disassemble to correct
	Head valve dry	Disassemble/lubricate
Trigger valve housing leaking air	O-ring cut or cracked	Replace O-ring
Trigger valve stem leaks air	O-rings/seals cut or cracked	Replace O-rings/seals
Frame/nose leaks air	O-ring or gasket is cut or cracked	Replace O-ring or gasket
	Bumper cracked/worn	Replace bumper
Frame/cap leaks air	Damaged gasket or seal	Replace gasket or seal
	Cracked/worn head valve bumper	Replace bumper
	Loose cap screws	Tighten and recheck
Skipping fasteners; intermittent feed	Worn bumper	Replace bumper
	Air restriction/inadequate air flow through quick disconnect socket and plug	Replace quick disconnect fittings
	Worn piston O-ring (if present)	Replace O-ring, check driver
	Tool dry, lacks lubrication	Use BOSTITCH Air Tool Lubricant
	Damaged pusher spring	Replace spring
	Low air pressure	Check air supply system to tool
	Loose magazine nose screw	Tighten all screws

PROBLEM	CAUSE	CORRECTION
GB Not to be reproduced without permission for CE compliance for the products.	<b>Fasteners too short for tool</b>	<b>Use only recommended fasteners</b>
FR Reproduction interdite sans permission préalable. Les copies non autorisées de ce document ne signifient en rien que les produits soient conformes aux normes CE.	<b>Bent fasteners</b>	<b>Discontinue using these fasteners</b>
DE Vervielfältigung nicht ohne Genehmigung gestattet. Unzulässig erstellte Kopien dieses Dokuments erfüllen nicht die CE-Richtlinien für Produkte.	<b>Wrong size fasteners</b>	<b>Use only recommended fasteners</b>
NL Mag niet worden vernoemd zonder toestemming. Onrechtmatige kopieën van dit document willen niet zeggen dat de producten voldoen aan de CE-normen.	<b>Leaking head cap gasket</b>	<b>Tighten screws/replace gasket</b>
DK Må ikke gengives uden tilladelse. Uautoriserede kopier af dette dokument udgør ikke CE-overholdelse for produkterne.	<b>Trigger valve O-ring cut/worn</b>	<b>Replace O-ring</b>
FI Ei saa jäljentää ilman lupaa. Tämän asiakirjan ilman valtuutusta tehdyt kopiot eivät muodosta tuotteille CE-yhdenmukaisuutta.	<b>Broken/chipped driver</b>	<b>Replace driver (check piston O-ring)</b>
GR Απαγορεύεται η αναπαραγωγή χωρίς προηγούμενη άδεια. Τα μη εξουσιοδοτημένα αντίγραφα του παρόντος εγχειριδίου δεν συμμορφώνονται με τα προϊόντα.	<b>Dry/dirty magazine</b>	<b>Clean/lubricate use BOSTITCH Air Tool Lubricant</b>
IT Vietata la riproduzione senza permesso. Le copie non autorizzate di questo documento non garantiscono la conformità CE per i relativi prodotti.	<b>Worn magazine</b>	<b>Replace magazine</b>
NO Skal ikke reproduseres uten tillatelse. Ikke godkjente kopier av dette dokumentet oppfyller ikke kravene for CE-merking for produktet.	<b>Driver channel worn</b>	<b>Replace nose/check door</b>
PT Reprodução proibida sem autorização prévia. As cópias não autorizadas deste documento não estão em conformidade com a CE para os produtos.	<b>Wrong size fasteners</b>	<b>Use only recommended fasteners</b>
SE Prohibida la reproducción sin permiso. Las copias no autorizadas de este documento no suponen la conformidad con las normas CE de los productos.	<b>Bent fasteners.</b>	<b>Discontinue using these fasteners</b>
SK Rozmnožovanie bez povolenia je zakázané. Neoprávnené kópie tohto dokumentu nie sú v súlade s CE pre dané výrobky.	<b>Loose magazine/nose screws</b>	<b>Tighten all screws</b>
HU A dokumentum engedély nélkül nem sokszorosítható. Az engedély nélkül sokszorosított dokumentum nem jelenti a termék CE-megfelelőségét.	<b>Broken/chipped driver</b>	<b>Replace driver (check piston O-ring)</b>
RO Reproducerea neautorizată este interzisă. Copiile neautorizate ale acestui document nu reprezintă conformitatea CE pentru produse.		

## MANUEL DE SÉCURITÉ ET D'UTILISATION



AVANT D'UTILISER CET OUTIL, TOUTS LES OPÉRATEURS DOIVENT LIRE CE MANUEL AVEC ATTENTION, AINSI QUE LES CARACTÉRISTIQUES TECHNIQUES DE

L'OUTIL, POUR COMPRENDRE ET APPLIQUER LES AVERTISSEMENTS DE SÉCURITÉ ET LES INSTRUCTIONS D'UTILISATION. CONSERVER CES INSTRUCTIONS AVEC L'OUTIL POUR LES CONSULTER ULTÉRIEUREMENT. POUR TOUTE QUESTION, ADRESSEZ-VOUS À VOTRE REPRÉSENTANT OU DISTRIBUTEUR BOSTITCH.

AVANT D'UTILISER CET OUTIL, CONSULTER LE TABLEAU DES CARACTÉRISTIQUES TECHNIQUES, LA COLONNE L DE LA FICHE TECHNIQUE POUR IDENTIFIER LE SYSTÈME OPÉRATIONNEL DE VOTRE OUTIL.

### Ces outils de fixation sont des outils électriques professionnels.

NE PAS laisser ces outils à la portée des enfants. NE PAS laisser les opérateurs inexpérimentés sans supervision.

- Les enfants et les personnes handicapées. Cet outil n'est pas conçu pour être utilisé par des enfants ou des personnes handicapées sans supervision.
- Cet outil n'est pas conçu pour être utilisé par des personnes (enfants inclus) qui ont des aptitudes physiques, sensorielles ou mentales réduites, qui manquent d'expérience, de connaissances ou de compétences, sauf si elles sont supervisées par une personne qui se porte responsable de leur sécurité. Ne jamais laisser un enfant seul avec ce produit.
- Cet outil de fixation doit uniquement être utilisé par un opérateur techniquement formé et compétent.
- Ne pas modifier cet outil de fixation. Une modification peut réduire l'efficacité des mesures de sécurité et augmenter les risques pour l'opérateur et les personnes à proximité.

Les produits BOSTITCH sont des outils de précision conçus et fabriqués pour réaliser des travaux de fixation à haut volume et à grande vitesse. Ces outils sont efficaces et fiables s'ils sont utilisés et entretenus conformément aux instructions fournies. Comme pour tout autre outil électrique, les instructions du fabricant doivent être respectées pour obtenir d'excellents résultats. Veuillez lire attentivement ce manuel et comprendre les mesures de sécurité et les mises en garde avant d'utiliser cet outil. Vous devez lire attentivement les instructions d'installation, d'utilisation et de maintenance et conserver le manuel

pour le consulter selon les besoins. Remarque : en cas d'application spéciale, des mesures de sécurité supplémentaires peuvent être nécessaires. Veuillez consulter votre représentant ou votre distributeur BOSTITCH en cas de doute ou pour obtenir d'autres renseignements concernant l'outil et son utilisation.

### REMARQUE :

Les outils BOSTITCH sont conçus pour satisfaire au maximum les besoins des clients et pour fournir d'excellentes performances s'ils sont utilisés avec des fixations BOSTITCH conçues selon les mêmes normes.

**BOSTITCH décline toute responsabilité si un de nos outils est utilisé avec des fixations ou des accessoires non conformes aux exigences spécifiquement définies pour les clous, les agrafes ou les accessoires d'origine BOSTITCH.**

### GARANTIE LIMITÉE

BOSTITCH a toute confiance dans la qualité de ses produits et offre une garantie à leurs utilisateurs professionnels. Cette déclaration de garantie est un document supplémentaire et ne saurait en aucun cas porter préjudice à vos droits contractuels en tant qu'utilisateur professionnel ou à vos droits légaux en tant qu'utilisateur privé non professionnel. Cette garantie est valable dans les pays membres de l'Union européenne ainsi que dans la Zone européenne de libre-échange.

En cas de défaillance de votre produit BOSTITCH en raison d'un défaut de matériau ou de fabrication survenant pendant les 12 mois à partir de sa date d'achat, BOSTITCH s'engage à remplacer gratuitement toute pièce défectueuse ou – à notre seule discrétion – à remplacer l'unité gratuitement, sous les conditions suivantes :

- Le produit n'a pas fait l'objet d'une utilisation inappropriée • Le produit n'a pas été soumis à une usure excessive ; les lames d'entraînement, les protections et les joints toriques sont considérés comme des pièces d'usure normales non couvertes par la garantie • Aucune réparation n'a été tentée par des personnes non autorisées • Un justificatif d'achat est présenté avec le produit • Le produit est renvoyé dans son intégralité avec l'ensemble des composants d'origine • Le produit est renvoyé à vos frais et avec son justificatif d'achat à l'un de nos centres de réparation régionaux ou à un centre de garantie agréé.

Pour effectuer une réclamation, veuillez contacter votre revendeur local ou trouver votre réparateur BOSTITCH agréé le plus proche dans le catalogue BOSTITCH. Vous pouvez aussi contacter le bureau BOSTITCH à l'adresse indiquée dans ce manuel.

## RÉFÉRENCES SPÉCIALES

Cet outil doit uniquement être utilisé avec des fixations spécifiées dans les instructions d'utilisation (voir Caractéristiques techniques de l'outil). En matière de sécurité, l'outil et les fixations spécifiées constituent un système de sécurité unique.

Avant chaque utilisation, toujours vérifier que tous les composants de l'outil sont en bon état, correctement assemblés et branchés, sans trace d'usure excessive ou de détérioration.

Les réparations doivent uniquement être effectuées par un personnel agréé BOSTITCH ou par un personnel spécialisé, en se conformant toujours aux instructions de sécurité, d'utilisation et d'entretien présentées dans ce manuel, le manuel spécifique de l'outil et dans les Caractéristiques techniques de l'outil.

**Remarque :** Par personnel spécialisé, on entend des personnes qui, par leur expérience professionnelle ou par une formation spécifique, disposent d'un savoir-faire approprié dans le secteur des outils de fixation, et savent évaluer l'état fonctionnel des outils et leur sécurité.

Les supports ou les accessoires utilisés pour monter un outil sur une base, par exemple un établi, doivent être conçus et réalisés pour fixer l'outil en toute sécurité et pour l'utilisation prévue, en évitant tout risque de détérioration, distorsion dislocation, par exemple.

## INSTRUCTIONS DE SÉCURITÉ



L'opérateur et les personnes présentes dans l'espace de travail pendant le chargement, le fonctionnement et les opérations d'entretien de l'outil doivent porter une PROTECTION DES YEUX contre les projections FRONTALES et LATÉRALES.

La protection des yeux est obligatoire car elle évite que des fixations ou des débris projetés provoquent de graves lésions oculaires. L'employeur et/ou l'utilisateur sont responsables du port constant des protections appropriées.

Les protections des yeux utilisées doivent être conformes à la norme 89/686/EEC, offrant une protection égale ou supérieure à celle définie par la norme EN166. En outre, tous les aspects du travail de l'opérateur, de l'environnement et d'autres types de machines utilisées, doivent aussi être

pris en compte pour sélectionner les équipements de protection individuelle.



**ATTENTION : DES MESURES DE PROTECTION SUPPLÉMENTAIRES** peuvent s'avérer nécessaires dans certains environnements de travail. Par exemple, l'espace de travail peut générer des nuisances acoustiques dangereuses pour l'ouïe. Il incombe à l'employeur et à l'utilisateur de fournir la protection auditive appropriée et de vérifier que l'opérateur et toutes les personnes à proximité l'utilisent correctement. Dans certains environnements, un équipement de protection pour la tête est obligatoire. Dans ce cas, l'employeur et à l'utilisateur doivent fournir cette protection et vérifier qu'elle est utilisée.

## RISQUES AUDITIFS

- Une exposition à des niveaux de bruit sans protection appropriée peut provoquer des lésions auditives permanentes, un handicap auditif partiel ou complet, et d'autres troubles, incluant des acouphènes continus ou intermittents (sifflements, grondements, souffles dans une ou les deux oreilles).
- Les types de risques doivent être évalués et des mesures de prévention et de protection appropriées doivent être mises en place.
- Les mesures pour réduire les risques peuvent inclure diverses actions telles que des matériaux d'amortissement pour éviter que les matériaux à fixer résonnent sous l'impact.
- Utiliser des protections auditives appropriées.
- Utiliser et entretenir l'outil conformément à ces instructions, pour éviter une augmentation inutile des niveaux de bruit.

- Si l'outil est équipé d'un silencieux, vérifier qu'il est installé et en bon état avant d'utiliser l'outil.

## RISQUES DE VIBRATIONS

- Des informations sont indispensables pour évaluer ces risques et mettre en œuvre des contrôles appropriés.
- L'exposition à des vibrations peut provoquer des lésions du système nerveux et de la circulation du sang dans les mains et les bras.
- Porter des vêtements chauds pour travailler lorsqu'il fait froid et garder les mains au chaud et sèches.
- Si vous constatez des signes d'engourdissement, des picotements, des douleurs dans les doigts ou les

• mains, ou que la peau perd de sa couleur, vous devez consulter un médecin de la santé du travail, un spécialiste de ce type d'activité.

- Utiliser et entretenir l'outil conformément aux présentes instructions, pour éviter une augmentation inutile des vibrations.
- L'outil doit être pris en main avec fermeté et souplesse, sans crispation, parce que les risques associés aux vibrations sont plus importants lorsque la force de préhension est grande.

## ⚠ INSTRUCTIONS DE SÉCURITÉ POUR L'ALIMENTATION ET LES RACCORDS D'AIR COMPRIMÉ



Ne jamais utiliser d'oxygène ou un gaz inflammable comme source d'énergie d'un outil pneumatique.

Ne pas utiliser un gaz en bouteille ou de l'air comprimé lorsque la pression maximale autorisée pour la tuyauterie peut potentiellement dépasser la pression maximale spécifiée dans le manuel de l'outil, pour éviter tout risque d'explosion de l'outil, et d'accident et blessures. Si la pression maximale de l'alimentation pneumatique est supérieure à la pression recommandée, une soupape réductrice aval doit être installée sur le circuit pneumatique.

- Ne pas appuyer sur la gâchette ou abaisser l'étrier de sécurité pendant avant la fin du chargement de l'alimentation pneumatique. L'outil pourrait se mettre en marche et provoquer un accident ou blesser quelqu'un.
- Le connecteur sur l'outil ne doit pas retenir la pression lorsque l'alimentation pneumatique est débranchée. Si un raccord erroné est utilisé, l'outil peut rester chargé d'air comprimé même après avoir été débranché. Dans ce cas, une fixation peut être projetée et provoquer des lésions ou blessures alors que l'outil n'est pas connecté à son alimentation.
- Toujours débrancher l'alimentation pneumatique :
  - 1) Avant d'effectuer un réglage ;
  - 2) Pendant les opérations d'entretien ;
  - 3) Pour débloquer un grippage ;
  - 4) Lorsque l'outil est inutilisé ;
  - 5) Pendant un déplacement vers une autre zone de travail, afin d'éviter tout déclenchement accidentel et de blesser quelqu'un.

## ⚠ INSTRUCTIONS DE SÉCURITÉ POUR CHARGER L'OUTIL

Pour charger l'outil : 1) Ne pas mettre la main ou aucune partie du corps devant l'orifice de sortie des fixations ; 2) Ne jamais diriger l'outil vers soi ou vers

une autre personne ; 3) Ne pas appuyer sur la gâchette ou abaisser l'étrier de sécurité afin d'éviter tout déclenchement accidentel et de blesser quelqu'un.

**Note : Voir les Caractéristiques techniques de l'outil et le manuel séparé pour les instructions spécifiques de chargement et les dimensions recommandées des fixations.**

## ⚠ INSTRUCTIONS DE SÉCURITÉ POUR UTILISER L'OUTIL

- L'outil doit toujours être manipulé avec la plus grande attention : 1) Ne pas jouer avec l'outil ; 2) Appuyer uniquement sur la gâchette lorsque l'outil est pointé vers une surface de travail ; 3) À l'exception de l'opérateur, personne ne doit être à proximité de l'outil pendant son utilisation, pour éviter tout risque d'accident en cas de déclenchement non intentionnel.
- L'opérateur ne doit pas maintenir enfoncée la gâchette d'un outil équipé d'un étrier de sécurité (ou verrou de sécurité) s'il n'est pas en train de l'utiliser réellement, puisqu'une pression accidentelle sur l'étrier peut alors activer l'outil et provoquer un déclenchement accidentel et blesser quelqu'un.
- Ne pas approcher les mains ou le corps de l'orifice de sortie des fixations. Un outil équipé d'un étrier de sécurité peut être dévié par le recul et projeter accidentellement une autre fixation et provoquer un accident et blesser quelqu'un.
- Vérifier fréquemment le bon fonctionnement du mécanisme de l'étrier de sécurité. Ne pas utiliser l'outil si cet étrier ne fonctionne pas correctement, car une fixation pourrait être accidentellement projetée. Ne jamais gêner le bon fonctionnement de l'étrier de sécurité.
- Ne pas enfoncer des fixations sur d'autres fixations, car elles peuvent dévier ou ricocher et provoquer un accident et des blessures.
- Ne pas enfoncer des fixations près des bords de la pièce, car le bois risque de se fendre. Les fixations pourraient alors dévier ou ricocher et provoquer un accident et des blessures.
- Ne pas travailler en extension. Toujours utiliser l'outil dans une position de sécurité. Toujours garder les deux pieds au sol avec un bon équilibre.
- Tenir les passants à l'écart (pendant les travaux dans un espace ouvert au passage). L'espace de travail doit être clairement défini et signalé.
- Utiliser systématiquement la deuxième poignée (si fournie).
- Porter uniquement des gants qui procurent une préhension, une sensibilité et une sécurité



appropriées pour contrôler les déclencheurs et régler les dispositifs.

• Pendant l'utilisation de l'outil, des débris du matériau à fixer et des fixations peuvent être projetés.

• Prendre les précautions nécessaires lorsque l'outil n'est plus au contact d'un matériau ou pièce, parce qu'il peut se déclencher accidentellement et blesser l'opérateur ou une autre personne.

• Vérifier que l'outil est toujours stabilisé sur le matériau à fixer et ne peut pas glisser.

• Toujours garder le corps dans une position équilibrée et les pieds stables sur le sol.

• Des lunettes de sécurité doivent être portées. Des gants et des vêtements de protection sont recommandés.

## ▲ INSTRUCTIONS DE SÉCURITÉ POUR L'ENTRETIEN DE L'OUTIL

Pendant des opérations d'entretien d'outils pneumatiques, observer les mises en garde contenues dans le présent manuel, au chapitre des instructions spécifiques de chaque outil et de l'outil en question ; prendre des précautions supplémentaires pendant la vérification d'outils défectueux.

### ▲ ALIMENTATION D'AIR ET RACCORDS

Pour connecter un outil à une alimentation pneumatique, l'orifice de sortie des fixations doit être orienté dans la direction opposée à l'opérateur et jamais en direction d'une personne présente dans la zone de travail. Placer l'orifice de sortie de l'outil sur un échantillon de matériau suffisamment épais pour qu'aucune fixation ne puisse le traverser ou dépasser. Vérifier qu'aucune partie du corps est proche ou dans la direction de l'outil avant de connecter l'alimentation pneumatique.

Pour éviter tout déclenchement accidentel et un accident, l'alimentation pneumatique doit être débranchée dans les cas suivants :

1. Avant de procéder à un réglage.
2. Pendant les opérations d'entretien.
3. Avant de débloquer un grippage.
4. Lorsque l'outil n'est pas utilisé.
5. Pendant les déplacements vers une autre zone de travail, afin d'éviter tout déclenchement accidentel et de blesser quelqu'un.

• Les compresseurs doivent avoir une capacité appropriée pour garantir une pression et un flux volumétrique suffisants à l'utilisation prévue. Des baisses de pression dans l'alimentation

pneumatique peuvent réduire la puissance de l'outil. Se reporter aux Caractéristiques techniques pour régler correctement la pression de l'outil.

• Dans une installation industrielle, les canalisations d'air comprimé doivent être installés en pente, le point plus élevé du circuit d'alimentation étant le plus proche du compresseur. Des purgeurs doivent être facilement accessibles sur les points les plus bas. Purger le circuit au moins une fois par jour ou plus fréquemment si besoin est. La saleté et l'eau contenues dans le circuit d'alimentation pneumatique sont la cause principale de l'usure des outils. Les points de branchement de l'outil doivent être munis d'un filtre/ régulateur/ unité de d'entretien installé directement sur le point de branchement. Un filtre contribue à assurer les meilleures performances et à minimiser l'usure. La capacité du filtre doit être adaptée au débit spécifique de l'installation. Le filtre doit être régulièrement nettoyé pour garantir la propreté de l'air comprimé qui actionne l'outil. Consulter les instructions du fabricant pour entretenir correctement le filtre. Un filtre sale et obstrué provoque des baisses de pression qui diminuent les performances de l'outil.

• Les branchements entre les tuyaux d'alimentation d'une installation industrielle et l'outil doivent débiter en haut du circuit.

• Les tuyaux d'alimentation doivent être conçus pour résister à une pression de 10,6 bars au minimum ou 150% de la pression maximale pouvant être supportée par le système pneumatique. Le tuyau d'alimentation doit être doté d'un système de raccord à "déconnexion rapide" sur la prise mâle de l'outil.

• Vérifier que la pression fournie à l'outil ne dépasse pas la pression maximale autorisée (voir "ps max." dans les Caractéristiques techniques de l'Outil). Pour débiter, régler la pression pneumatique au plus bas niveau recommandé (voir Caractéristiques techniques de l'Outil).

• Vérifier que l'outil fonctionne correctement en le pointant sur un morceau de bois et en appuyant une ou deux fois sur la gâchette.

### LUBRIFICATION

• Pour obtenir des performances optimales, la lubrification doit être fréquente mais sans être excessive. L'huile ajoutée dans le circuit d'alimentation pneumatique lubrifie les parties internes. Pour plus de renseignements sur le lubrifiant approprié, consulter les Caractéristiques techniques de l'Outil. Ne pas utiliser d'huile détergente ou d'additifs parce qu'ils accélèrent l'usure des joints d'étanchéité et des amortisseurs internes de l'outil. Ils diminueraient ses performances et nécessiteraient un entretien plus fréquent.

• Si aucun lubrifiant n'est ajouté dans le circuit d'alimentation, ajouter de l'huile par l'intermédiaire du raccord de l'outil au moins une ou deux fois par jour : Quelques gouttes (3-5) d'huile suffisent à chaque fois. Une quantité d'huile excessive s'accumulera à l'intérieur de l'outil et sera perceptible dans l'échappement.

• Utilisation par temps froid. Si l'outil est dans des températures proches du gel ou en dessous de zéro, l'humidité présente dans le circuit d'air peut geler et empêcher l'outil de fonctionner. Nous recommandons d'utiliser le lubrifiant pour outil pneumatique Formule Hiver BOSTITCH ou un antigel permanent (éthylène glycol) lorsque la température est basse.

**Avertissement** - Pour empêcher la formation de givre ou de glace sur les clapets et mécanismes internes qui peuvent bloquer l'outil, il faut éviter de ranger l'outil dans un environnement exposé à des températures hivernales.

**Remarque** : Certains agents de séchage liquides pour tuyaux pneumatiques détériorent les joints d'étanchéité et les joints toriques. Ne pas utiliser ces agents de séchage à basse température sans vérifier leur compatibilité avec l'outil.

## ⚠ PROTECTION DES YEUX

L'opérateur et les personnes présentes dans l'espace de travail pendant le chargement, le fonctionnement et les opérations d'entretien de l'outil doivent porter une PROTECTION DES YEUX contre les projections FRONTALES et LATÉRALES. La protection des yeux

est obligatoire car elle évite que des fixations ou des débris projetés provoquent de graves lésions oculaires. L'employeur et/ou l'utilisateur sont responsables du port constant des protections appropriées.

Les équipements de protection doivent protéger les yeux devant et sur les côtés. **Remarque** : Les lunettes et les masques faciaux sans protection latérale n'apportent pas une protection suffisante.

**⚠ AVERTISSEMENT !** Si l'outil est tombé, ou si vous pensez qu'il peut être endommagé, une vérification de son fonctionnement doit être réalisée, comme indiqué dans la section Vérification du fonctionnement de l'outil.

## POUR ÉVITER LES ACCIDENTS :

- Ne pas mettre la main ou aucune partie du corps devant l'orifice de sortie des fixations lorsque l'alimentation pneumatique est branchée.
- Ne jamais pointer l'outil en direction de quelqu'un.
- Ne jamais jouer avec l'outil.
- Ne jamais appuyer sur la gâchette lorsque l'orifice de sortie des fixations n'est pas dirigé vers un matériau à fixer.
- Toujours manipuler l'outil avec la plus grande attention.
- Ne jamais appuyer sur la gâchette ou baisser l'étrier de sécurité pendant le chargement de l'outil.

## TYPES D'UTILISATION : BOSTITCH PROPOSE SEPT TYPES D'UTILISATION :

Type d'utilisation	Référence dans le manuel	Étrier de sécurité/ verrou de sécurité
DÉCLENCHEMENT PAR CONTACT	1	✓
DÉCLENCHEMENT SÉQUENTIEL PARTIEL	2	✓
DÉCLENCHEMENT SÉQUENTIEL COMPLET	2A	✓
DÉCLENCHEMENT PAR GÂCHETTE	3	✗
DÉCLENCHEMENT PAR CONTACT CONTINU	4	✓
DÉCLENCHEMENT CONTINU OU FONCTIONNEMENT AUTOMATIQUE	5	✗
DÉCLENCHEMENT SÉLECTIONNABLE	6	✓

RO Reproducerea neautorizată este interzisă. Copiile neautorizate ale acestui document nu reprezintă conformitatea CE pentru produse.

## OUTILS SANS ÉTRIER DE SÉCURITÉ

(ou sécurité de déclenchement)

- Deux types de fonctionnement sont possibles :

### GÂCHETTE DE DÉCLENCHEMENT SIMPLE

(Référence 3 dans le tableau des Caractéristiques techniques, colonne L(a))

Le modèle équipé d'une gâchette simple peut uniquement être déclenché par cette gâchette.

Ce modèle n'a pas d'étrier de sécurité et il est conçu pour être uniquement utilisé lorsqu'un tel étrier de sécurité NE PEUT PAS être utilisé pour satisfaire les exigences de l'application. Sur un modèle équipé d'une gâchette simple, une seule fixation est projetée lorsque l'opérateur appuie sur la gâchette.

### GÂCHETTE À RÉPÉTITION OU "FONCTIONNEMENT AUTOMATIQUE"

(Référence 5 dans le tableau des Caractéristiques techniques, colonne L(a))

Sur un modèle équipé d'une gâchette à répétition, les fixations continuent d'être projetées tant que l'opérateur appuie sur la gâchette. Ce modèle n'a pas d'étrier de sécurité et il est conçu pour être uniquement utilisé lorsqu'un tel étrier de sécurité ne peut pas être utilisé pour satisfaire les exigences de l'application.

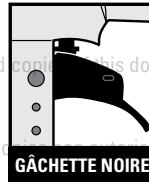
## OUTILS AVEC ÉTRIER DE SÉCURITÉ

(ou sécurité de déclenchement)

- Cinq types de fonctionnement sont possibles :

Tous les outils équipés d'un étrier de sécurité sont marqués d'un triangle équilatéral inversé ( ). Ne pas essayer d'utiliser un outil présentant ce symbole si l'étrier de sécurité est absent ou semble endommagé.

La plupart des outils sont équipés d'un étrier de sécurité qui est normalement en position « activée » ou « basse » (Référence 1 dans le tableau des Caractéristiques techniques, colonne L(b)). Certaines machines sont équipées d'un étrier de sécurité qui est normalement en position « désactivée » ou « haute » (Référence 2 dans le tableau des Caractéristiques techniques, colonne L(b)). Veuillez consulter les Caractéristiques techniques de votre outil pour savoir comment utiliser cette fonction.



GÂCHETTE NOIRE

## DÉCLENCHEMENT PAR CONTACT (GÂCHETTE NOIRE)

(Référence 1 dans le tableau des Caractéristiques techniques, colonne L(a))

La procédure normale d'utilisation des outils à « Déclenchement par Contact » consiste à relâcher l'étrier de sécurité et à appuyer continuellement sur la gâchette, ce qui décoche une fixation à chaque contact de l'outil avec le matériau à fixer. Ceci permet de placer rapidement des fixations sur une multitude de pièces, par exemple pour assembler des emballages, des palettes ou des caisses. Tous les outils pneumatiques ont un effet de recul ou contrecoup à chaque déclenchement. L'outil peut « rebondir » dans la main et faire relâcher l'étrier de sécurité. Dans ce cas, si l'outil touche une surface alors que la gâchette est encore enfoncée (le doigt continuant d'appuyer sur la gâchette), une fixation sera accidentellement projetée.



⚠ **ATTENTION !** Les outils identifiés par ce symbole offrent soit le déclenchement par contact, le déclenchement continu, ou le déclenchement sélectionnable.

Ces outils sont conçus pour des applications de production, telles que la construction de palettes, mobilier, matériaux préfabriqués, pose de tissus d'ameublement. **NE PAS** utiliser un outil avec le déclenchement par contact dans des applications telles que l'assemblage d'emballages ou caisses, l'installation de systèmes de sécurité sur des remorques ou des poids lourds. Cet outil doit uniquement être utilisé dans des environnements professionnels sécurisés. Des précautions doivent être prises pour éviter tout déclenchement accidentel pendant les changements de position.



GÂCHETTE GRISE

## DÉCLENCHEMENT SÉQUENTIEL - 2 TYPES (GÂCHETTE GRISE) :

### TYPE 1 : DÉCLENCHEMENT SÉQUENTIEL PARTIEL

(Référence 2 dans le tableau des Caractéristiques techniques, colonne L(a))

Avec le déclenchement séquentiel, l'opérateur doit maintenir l'outil contre le matériau avec l'étrier de sécurité désactivé avant d'actionner la gâchette.

Pour enfoncer d'autres fixations, la gâchette doit être relâchée puis enfoncée à nouveau pour que l'outil fonctionne. L'outil continuera de fonctionner chaque fois que la gâchette est enfoncée et tant que l'outil est en contact avec le matériau à fixer.

FR Reprodução interdita sem permissão prévia. Les copies non autorisées de ce document ne sont pas autorisées.

**TYPE 2 : DÉCLENCHEMENT SÉQUENTIEL COMPLET**  
(Référence 2A dans le tableau des Caractéristiques techniques, colonne L(a))

Le déclenchement séquentiel complet fonctionne de manière similaire au déclenchement séquentiel partiel, à l'exception que pour enfoncer d'autres fixations, la gâchette doit être relâchée et l'outil éloigné du matériau, puis appuyée à nouveau contre le matériau, avant de recommencer.

Les deux types de déclenchements séquentiels facilitent le positionnement précis des fixations, par exemple pour des applications comme l'encadrement, l'emballage, les caisses, et le clouage en biais. Le déclenchement séquentiel permet un positionnement précis des fixations, sans qu'il soit possible d'enfoncer une deuxième fixation sous l'effet du recul, comme indiqué dans la section Déclenchement par contact (ci-dessous). L'outil à déclenchement séquentiel offre un avantage en matière de sécurité puisqu'il ne peut pas accidentellement projeter une fixation si l'outil entre en contact avec le matériau (ou toute autre objet), lorsque l'opérateur a gardé le doigt serré sur la gâchette.

PT Reprodução proibida sem autorização prévia. As cópias não autorizadas deste documento não são permitidas.

## FUNCTIONNEMENT DU DÉCLENCHEMENT PAR CONTACT CONTINU :

(Référence 4 dans le tableau des Caractéristiques techniques, colonne L(a))

Les outils fonctionnant par Contact Continu permettent de répéter la projection des fixations tant que la gâchette et l'étrier de sécurité sont activés.

Avant de manipuler ou de mettre en marche cet outil :

Lire et bien comprendre les mises en garde en matière de sécurité contenues dans le présent manuel. Se reporter aux Caractéristiques techniques de l'outil pour identifier le système opérationnel de votre outil.

**⚠ ATTENTION !** Les outils identifiés par ce symbole offrent soit le déclenchement par contact, le déclenchement continu, ou le déclenchement sélectionnable.



RO Reproducerea neautorizată este interzisă. Copiile neautorizate ale acestui document nu sunt permise.

Ces outils sont conçus pour des applications de production, telles que la construction de palettes,

mobilier, matériaux préfabriqués, pose de tissus d'ameublement. **NE PAS** utiliser un outil avec le déclenchement par contact dans des applications telles que l'assemblage d'emballages ou de caisses, l'installation de systèmes de sécurité sur des remorques ou des poids lourds. Cet outil doit uniquement être utilisé dans des environnements professionnels sécurisés. Des précautions doivent être prises pour éviter tout déclenchement accidentel pendant les changements de position.

Onrechtmatige kopieën van dit document willen niet



## DÉCLENCHEMENT SÉLECTIONNABLE

(Référence 6 dans le tableau des Caractéristiques techniques, colonne L(a))

Certains outils sont munis d'une fonction de sélection qui permet à l'utilisateur de basculer entre le déclenchement séquentiel et le déclenchement par contact.

Le type de déclenchement choisi est indiqué par la position du bouton Fonction. Lorsque ce bouton Fonction est tourné vers le symbole des trois clous gravé sur l'outil, la fonction Déclenchement par contact est activée. Lorsque le bouton Fonction est tourné vers le symbole d'un seul clou gravé sur l'outil, la fonction Déclenchement séquentiel est activée. Veuillez lire attentivement les sections ci-dessus, Déclenchement par contact et Déclenchement séquentiel, avant de choisir votre type de fonctionnement.

Veuillez consulter les Caractéristiques techniques de votre l'outil pour savoir comment utiliser cette fonction.



**⚠ ATTENTION !** Les outils identifiés par ce symbole offrent soit le déclenchement par contact, le déclenchement continu, ou le déclenchement sélectionnable.

PL Niniejszy dokument nie może być kopiowany bez pozwolenia. Nieautoryzowane kopie niniejszego dokumentu

Ces outils sont conçus pour des applications de production, telles que la construction de palettes, mobilier, matériaux préfabriqués, pose de tissus d'ameublement. **NE PAS** utiliser un outil avec le déclenchement par contact dans des applications

telles que l'assemblage d'emballages ou de caisses, l'installation de systèmes de sécurité sur des remorques ou des poids lourds. Cet outil doit uniquement être utilisé dans des environnements professionnels sécurisés. Des précautions doivent être prises pour éviter tout déclenchement accidentel pendant les changements de position.

## VÉRIFICATION DU FONCTIONNEMENT DE L'OUTIL

ATTENTION : Retirer toutes les fixations présentes dans l'outil avant de vérifier son fonctionnement.

⚠ **ATTENTION ! Si l'outil est tombé, ou si vous pensez qu'il peut être endommagé, vous devez vérifier son**

**fonctionnement comme indiqué dans la section**

**Vérification du fonctionnement de l'outil.**

### DÉCLENCHEMENT PAR GÂCHETTE :

- A) Sans toucher la gâchette, saisir fermement l'outil par sa poignée.
- B) Poser la pointe de l'outil contre le matériau à fixer.
- C) Appuyer sur la gâchette pour décocher une fixation. Relâcher la gâchette et le cycle est terminé.

**ATTENTION :** Une fixation est projetée à chaque pression sur la gâchette.

### DÉCLENCHEMENT CONTINU OU FONCTIONNEMENT AUTOMATIQUE

- A) Sans toucher la gâchette, saisir fermement l'outil par sa poignée.
- B) Poser la pointe de l'outil contre un matériau à fixer.
- C) Appuyer sur la gâchette et déplacer l'outil sur le matériau vers le haut/bas, à gauche et à droite. L'outil continue de fonctionner tant que l'opérateur ne relâche pas la gâchette.

**ATTENTION :** Pendant son utilisation, l'outil doit être fermement appuyé contre le matériau à fixer et sa pointe ne doit pas s'approcher des bords du matériau. Une fixation pourrait être projetée et blesser quelqu'un.

### DÉCLENCHEMENT PAR CONTACT

- A) Sans toucher la gâchette, appuyer l'étrier de sécurité contre le matériau à fixer.  
**L'OUTIL NE DOIT PAS SE DÉCLENCHER.**
- B) Tenir l'outil sans qu'il touche le matériau à fixer, sans qu'il pointe vers l'opérateur ou d'autres personnes, appuyer sur la gâchette.  
**L'OUTIL NE DOIT PAS SE DÉCLENCHER.**
- C) Tenir l'outil sans qu'il touche le matériau à fixer et appuyer sur la gâchette. Appuyer l'étrier de sécurité

contre le matériau à fixer.

**L'OUTIL DOIT SE DÉCLENCHER.**

- D) Sans toucher la gâchette, appuyer l'étrier de sécurité contre le matériau à fixer, puis appuyer sur la gâchette.

**L'OUTIL DOIT SE DÉCLENCHER.**

### DÉCLENCHEMENT SÉQUENTIEL PARTIEL

- A) Sans toucher la gâchette, appuyer l'étrier de sécurité contre le matériau à fixer.  
**L'OUTIL NE DOIT PAS SE DÉCLENCHER.**
- B) Tenir l'outil sans qu'il touche le matériau à fixer, sans qu'il pointe vers l'opérateur ou d'autres personnes, appuyer sur la gâchette.  
**L'OUTIL NE DOIT PAS SE DÉCLENCHER.**
- C) Tenir l'outil sans qu'il touche le matériau à fixer et appuyer sur la gâchette. Appuyer l'étrier de sécurité contre le matériau à fixer.  
**L'OUTIL NE DOIT PAS SE DÉCLENCHER.**
- D) Sans toucher la gâchette, appuyer l'étrier de sécurité contre le matériau à fixer, puis appuyer sur la gâchette.  
**L'OUTIL DOIT SE DÉCLENCHER.**
- E) Avec l'étrier de sécurité encore appuyé contre le matériau à fixer, appuyer à nouveau sur la gâchette.  
**L'OUTIL DOIT SE DÉCLENCHER.**

### DÉCLENCHEMENT SÉQUENTIEL COMPLET

- A) Sans toucher la gâchette, appuyer l'étrier de sécurité contre le matériau à fixer.  
**L'OUTIL NE DOIT PAS SE DÉCLENCHER.**
- B) Tenir l'outil sans qu'il touche le matériau à fixer, sans qu'il pointe vers l'opérateur ou d'autres personnes, appuyer sur la gâchette.  
**L'OUTIL NE DOIT PAS SE DÉCLENCHER.**
- C) Tenir l'outil sans qu'il touche le matériau à fixer et appuyer sur la gâchette. Appuyer l'étrier de sécurité contre le matériau à fixer.  
**L'OUTIL NE DOIT PAS SE DÉCLENCHER.**
- D) Sans toucher la gâchette, appuyer l'étrier de sécurité contre le matériau à fixer, puis appuyer sur la gâchette.  
**L'OUTIL DOIT SE DÉCLENCHER.**
- E) Avec l'étrier de sécurité encore appuyé contre le matériau à fixer, appuyer à nouveau sur la gâchette.  
**L'OUTIL NE DOIT PAS SE DÉCLENCHER.**

## DÉCLENCHEMENT PAR CONTACT CONTINU :

A) Sans toucher la gâchette, appuyer l'étrier de sécurité contre le matériau à fixer.

**L'OUTIL NE DOIT PAS SE DÉCLENCHER.**

B) Tenir l'outil sans qu'il touche le matériau à fixer, sans qu'il pointe vers l'opérateur ou d'autres personnes, appuyer sur la gâchette.

**L'OUTIL NE DOIT PAS SE DÉCLENCHER.**

C) Tenir l'outil sans qu'il touche le matériau à fixer et appuyer sur la gâchette. C) Appuyer l'étrier de sécurité sur le matériau à fixer et déplacer l'outil vers le haut/ bas et droite/ gauche.

**L'OUTIL DOIT SE DÉCLENCHER EN CONTINU**

**JUSQU'À CE QUE L'OPÉRATEUR RELÂCHE LA GÂCHETTE OU QUE L'OUTIL NE TOUCHE PLUS LE MATÉRIAU À FIXER.**

D) Sans toucher la gâchette, appuyer l'étrier de sécurité contre le matériau à fixer, puis appuyer sur la gâchette.

**L'OUTIL DOIT SE DÉCLENCHER EN CONTINU JUSQU'À CE QUE L'OPÉRATEUR RELÂCHE LA GÂCHETTE OU QUE L'OUTIL NE TOUCHE PLUS LE MATÉRIAU À FIXER.**

## UTILISATION DE L'OUTIL

Après avoir vérifié que l'outil fonctionne correctement, appuyer sa pointe contre le matériau à fixer et appuyer sur la gâchette. Vérifier que la fixation est correctement enfoncée dans le matériau.

• Si la fixation est enfoncée trop profondément, réduire la pression de l'air par étape de 5-6 psi (0,5 Bar) en vérifiant le résultat après chaque réglage. Ne pas dépasser la pression maximale autorisée (voir les Caractéristiques techniques de l'outil).

• Si la fixation est enfoncée trop profondément, réduire la pression de l'air par étape de 5-6 psi (0,5 Bar) en vérifiant le résultat après chaque réglage. Ne pas essayer d'utiliser une pression inférieure à la pression minimale recommandée (voir les Caractéristiques techniques de l'outil).

Toujours essayer d'utiliser la pression la plus basse possible. Une pression basse a l'avantage de réduire le bruit et les vibrations et d'augmenter la durée de vie des composants internes, tels que l'amortisseur de l'outil.

## EN PLUS DES MISES EN GARDE CONTENUES DANS CE MANUEL, SUIVRE LES INDICATIONS

## CI-DESSOUS POUR UTILISER L'OUTIL EN TOUTE SÉCURITÉ

- Votre outil pneumatique BOSTITCH est un outil professionnel. Ce n'est pas un jouet. Il ne faut donc pas jouer avec.
- Un outil pneumatique BOSTITCH doit uniquement être utilisé pour réaliser des travaux pour lesquels il a été conçu.
- Ne jamais utiliser l'outil en risquant de projeter une fixation en direction de l'opérateur ou de personnes présentes dans l'espace de travail.
- Ne pas se servir de l'outil comme d'un marteau.
- Toujours saisir l'outil par le manche. Ne jamais saisir l'outil par le tuyau d'arrivée d'air. Ne jamais transporter l'outil avec la gâchette enclenchée.
- Ne pas modifier ou altérer l'outil par rapport à sa conception ou fonctionnement d'origine sans l'autorisation écrite de BOSTITCH.
- Ne jamais oublier que toute utilisation ou manipulation inappropriée de l'outil peut blesser gravement l'opérateur ou d'autres personnes.
- Ne jamais engager et bloquer la gâchette avec du ruban adhésif ou autre moyen.
- Ne jamais laisser l'outil sans surveillance lorsque son tuyau d'air est branché.
- Ne pas utiliser l'outil si l'étiquette de mise en garde est absente ou illisible.
- Ne plus utiliser un outil qui fuit ou ne fonctionne pas correctement. Consulter le représentant BOSTITCH le plus proche si l'outil continue à poser des problèmes de fonctionnement.
- Pendant son utilisation, l'outil doit toujours être tenu manière à éviter tout risque de blessure à la tête et au corps en cas de recul excessif causé par une variation de la pression pneumatique ou une zone dure dans le matériau à fixer.
- Ne pas travailler près des coins ou des bords. Les fixations pourraient traverser le matériau et provoquer des blessures.
- Toujours débrancher l'alimentation pneumatique avant de transporter l'outil.
- Vérifier que l'étrier de sécurité (si présent) et la gâchette fonctionnent correctement.
- Ne jamais démonter ou bloquer aucune partie de l'outil, ni l'étrier de sécurité en particulier.
- Ne pas affaiblir la résistance de l'outil avec des marques gravées ou poinçonnées.



- Ne pas utiliser des raccords et des tuyaux d'air endommagés, fissurés ou usés.



- Ne jamais porter l'outil par son tuyau.

- Être prudent pendant l'utilisation d'un outil pneumatique qui peut devenir froid, ce qui modifie sa préhension et son contrôle.

### Risques liés à la répétition des mouvements

- Pendant de longues périodes d'utilisation, l'opérateur peut ressentir des sensations inconfortables dans les mains, les bras, les épaules, le cou, ou autres parties du corps.

Nous recommandons :

- Pour utiliser l'outil, l'opérateur doit adopter une position adaptée au travail mais qui reste ergonomique. Il doit rester stable sur ses pieds et éviter de prendre des positions difficiles à tenir ou déséquilibrées.
- Si l'opérateur constate des symptômes persistants ou répétitifs d'inconfort, douleurs, palpitations, tensions, fourmis, engourdissement, sensation de chaleur localisée, ou raideur, il ne doit pas les ignorer parce que ce sont des avertissements. L'opérateur doit consulter un médecin pour discuter de ses activités professionnelles et de leur impact sur sa santé.

### Risques liés à l'environnement de travail

- Les glissades, les trébuchements et les chutes sont les causes les plus fréquentes des accidents du travail. Se méfier des surfaces devenues glissantes après utilisation de l'outil, et des risques de trébuchements causés par les tuyaux pneumatiques.
- Renforcer les précautions dans les environnements inhabituels. Des risques masqués peuvent exister, par exemple causés par des câbles électriques ou autres systèmes d'alimentation.
- Cet outil n'est pas conçu pour être utilisé dans des atmosphères potentiellement explosives et il n'est pas isolé ou protégé contre les contacts avec une source d'électricité.
- Vérifier qu'il n'y a aucun câble électrique, canalisation de gaz, etc. qui pourrait provoquer un danger ou un accident s'il était endommagé par l'outil.

### Risques résiduels

Les risques suivants sont inhérents à l'utilisation des outils pneumatiques.

- Blessures causées par une utilisation ou une manipulation inappropriée de l'outil.

- Perte de contrôle causée par une préhension trop faible de l'outil.
- Fatigue des mains et des bras, en particulier pendant les travaux au-dessus de la tête. Toujours faire des pauses à intervalles réguliers pendant les périodes de travail longues.

Même si les règles de sécurité et les systèmes de sécurité sont correctement appliqués, certains risques résiduels persistent. Il s'agit en particulier :

- Troubles de l'audition
- Blessures provoquées par la projection de débris
- Brûlures causées par des accessoires qui chauffent pendant l'utilisation de l'outil.
- Lésions provoquées par une utilisation prolongée.
- Perte de contrôle causée par le recul.
- Blessures causées par des points de coincement, des bords tranchants et la manipulation maladroite des pièces.
- Blessures causées par des bords tranchants pendant les changements de fixations ou l'insertion de bandes de clous.

### BRUIT (Voir Caractéristiques techniques de l'outil)

Les caractéristiques acoustiques de l'outil ont été déterminées conformément à la norme EN 12549 – "Acoustique - Code des tests acoustiques pour les outils de fixation - Méthode technique".

Ces caractéristiques correspondent à des valeurs théoriques et ne représentent pas des niveaux acoustiques mesurés sur un point d'utilisation. L'émission du bruit sur un point d'utilisation dépend par exemple de l'environnement de travail, de la pièce ou matériau utilisé, du support de la pièce, du nombre d'opérations effectuées, etc.

En fonction des conditions et de la forme de la pièce, des protections individuelles peuvent être nécessaires pour réduire le bruit, mais aussi en positionnant les pièces sur des supports conçus pour amortir le bruit, en évitant les vibrations au moyen d'un système de blocage ou de couverture, en réglant la pression pneumatique minimale requise pour réaliser une tâche spécifique, etc.

### INFORMATIONS SUR LES VIBRATIONS (Voir Caractéristiques techniques de l'outil)

Les caractéristiques vibratoires de l'outil ont été déterminées conformément à la norme ISO/ WD 8662-11 Mesurage des vibrations des outils manuels électriques - Chapitre 11 Outils de pose de fixations.

Ces valeurs sont basées sur les caractéristiques de l'outil et ne représentent pas l'influence de son utilisation sur le système bras-main. L'influence sur le système bras-main dépendra, par exemple, de la force de préhension, de la

force de contact, de la position/ orientation de l'outil, du réglage de l'air comprimé, du matériau/ pièce à fixer, du support du matériau/ pièce, etc.

Reproduction interdite sans permission préalable. Les copies non autorisées de ce document ne signifient en rien que les produits soient conformes aux normes CE.

Die Vervielfältigung nicht ohne Genehmigung gestattet. Unzulässig erstellte Kopien dieses Dokuments erfüllen nicht die CE-Richtlinien für die Produkte.

NL Mag niet worden vervoerd of gebruikt zonder toestemming. Onrechtmatige kopieën van dit document willen niet zeggen dat de producten voldoen aan de CE-voorschriften.

DK Må ikke gengives uden tilladelse. Uautoriserede kopier af dette dokument betyder ikke CE overholdelse for produkterne.

FI Etsaa jäljentää ilman lupaa. Tämän asiakirjan ilman valtuutusta tehdyt kopiot eivät vastaa tuotteille CE-yhdenmukaisuutta.

GR Απαγορεύεται η αναπαραγωγή χωρίς προηγούμενη έγκριση. Η παρούσα φωτοτυπημένη αντίγραφο του παρόντος εγγράφου δεν αποτελεί συμμόρφωση CE για τα προϊόντα.

IT Vietata la riproduzione senza permesso. Le copie non autorizzate di questo documento non garantiscono la conformità CE per i relativi prodotti.

NO Skal ikke reproduseres uten tillatelse. Ikke godkjente kopier av dette dokumentet oppfyller ikke kravene for CE-merking for produktene.

B) Tuyaux principaux (3 - taille de la prise sur l'outil)

C) Vers l'outil

D) Soupape de sécurité

E) Lubrificateur

F) Régulateur

ES Prohibida la reproducción sin permiso. Las copias no autorizadas de este documento no suponen la conformidad con las normas CE de los productos.

## MISE EN SERVICE DE L'OUTIL

SE Prohibida la reproducción sin permiso. Las copias no autorizadas de este documento no suponen la conformidad con las normas CE de los productos.

Un filtre à air (J) doit être placé entre le compresseur et le système de lubrification pour garantir la propreté de l'air arrivant dans l'outil. L'eau et la saleté peuvent endommager les outils pneumatiques (voir le schéma ci-dessus).

## DÉPANNAGE & MAINTENANCE

CZ Niniejszy dokument nie może być kopiowany bez pozwolenia. Kopie nieautoryzowane tego dokumentu nie gwarantują zgodności z normami CE dla produktów.

Les réparations doivent uniquement être effectuées par un personnel agréé BOSTITCH ou par un personnel spécialisé, en se conformant toujours aux instructions de sécurité, d'utilisation et d'entretien présentées dans ce manuel, le manuel spécifique de l'outil et les Caractéristiques techniques de l'outil.

- Débrancher l'alimentation pneumatique de l'outil et vider complètement son chargeur avant toute

G) Raccordement (2 - taille de la prise sur l'outil)

H) Purge

I) Compresseur

J) Filtre

K) Raccord 1/4" NPT à haut débit

L) Tuyau d'air 10mm (3/8") Dia. interne Min

opération d'entretien ou de réparation. Se conformer aux mises en garde contenues dans le présent manuel au chapitre Caractéristique techniques de l'outil ainsi qu'à celles concernant l'outil lui-même, et toujours évaluer les problèmes des outils avec une extrême rigueur.

- Utiliser uniquement des pièces de rechange d'origine BOSTITCH. Ne pas utiliser des pièces modifiées ou des pièces qui ne peuvent pas fournir des performances égales aux équipements d'origine.
- Pendant la réparation d'un outil, vérifier que les parties internes sont propres et lubrifiées. Appliquer du lubrifiant Parker "O"-Lube ou un produit équivalent sur tous les joints toriques. Enduire tous les joints toriques avec du lubrifiant "O"-Lube avant de procéder au montage. Appliquer une petite quantité d'huile sur toutes les surfaces mobiles et les pivots. Après le remontage, ajouter quelques gouttes de



• Lubrifiant pour outils pneumatiques BOSTITCH dans le circuit d'alimentation et avant les premiers essais.

• Si le problème ne peut pas être résolu en utilisant les indications ci-dessous, consulter le représentant ou le distributeur BOSTITCH le plus proche.

• Pour tout autre renseignement concernant l'entretien spécifique de votre outil, se reporter aux Caractéristiques techniques de l'Outil.

FR Reproduction interdite sans permission préalable. Les copies non autorisées de ce document ne signifient en rien que les produits soient conformes aux normes CE.

PROBLÈME	CAUSE	SOLUTION
L'outil ne fonctionne pas	Alimentation d'air insuffisante	Vérifier l'alimentation d'air
	Outil sec, manque de lubrifiant	Utiliser le lubrifiant BOSTITCH pour outils pneumatiques
	Joints toriques usés sur les soupapes (le cas échéant)	Remplacer les joints toriques
	Ressort du chapeau de cylindre cassé	Remplacer le ressort du chapeau de cylindre
	Soupape de refoulement (si présente) encastrée dans le chapeau	Démonter/ vérifier/ lubrifier
Manque de puissance ; fonctionnement lent	Pression pneumatique trop basse	Vérifier l'alimentation d'air
	Outil sec, manque de lubrifiant	Utiliser le lubrifiant BOSTITCH pour outils pneumatiques
	Ressort du chapeau de cylindre cassé	Remplacer le ressort du chapeau de cylindre
	Joints toriques/ joints d'étanchéité coupés ou fissurés	Remplacer les joints toriques/ joints d'étanchéité
	Échappement bloqué	Vérifier l'amortisseur, le ressort de la soupape de refoulement, le silencieux
	Mécanisme de la gâchette usé/ fuites	Remplacer le mécanisme de la gâchette
	Chemise de cylindre mal positionnée sur l'amortisseur inférieur	Démonter et corriger la position
	Soupape de refoulement sèche	Démonter/ Lubrifier
Fuite d'air sur le siège de la soupape de la gâchette	Joint torique coupé ou fissuré	Remplacer le joint torique
Fuite d'air sur la tige de la soupape de la gâchette	Joints toriques/ joints d'étanchéité coupés ou fissurés	Remplacer les joints toriques/ joints d'étanchéité
Fuite d'air sur châssis/ pointe	Joint torique/ joint d'étanchéité coupé ou fissuré	Remplacer le joint torique/ joint d'étanchéité
	Amortisseur fissuré/ usé	Remplacer l'amortisseur
Fuite d'air sur le châssis/ chapeau	Joint d'étanchéité endommagé	Remplacer le joint d'étanchéité

PROBLÈME	CAUSE	SOLUTION
GB Not to be reproduced without CE compliance for the products.	Amortisseur de la soupape de refoulement fissuré/ usé	Remplacer l'amortisseur
FR Alimentation intermittente des fixations	Vis du chapeau desserrées Amortisseur usé	Serrer et vérifier Remplacer l'amortisseur
DE Vervielfältigung nicht ohne Genehmigung gestattet. Unzulässig erstellte Kopien dieses Dokuments erfüllen nicht die CE-Richtlinien für Produkte	Diminution air/ débit d'air inapproprié sur la prise à débranchement rapide	Remplacer les prises à débranchement rapide
NL Mag niet worden vermenigvuldigd, zonder toestemming. Onrechtmatige kopieën van dit document voldoen niet aan de CE-vereisten.	Joint torique du piston usé (si présent)	Remplacer le joint torique, contrôler le martelet
DK Må ikke gengives uden tilladelse af produktterne.	Outil sec, manque de lubrifiant	Utiliser le lubrifiant BOSTITCH pour outils pneumatiques
FI Ei saa jäljentää ilman lupaa. Täiden jäljentäminen ilman valtuutusta tehdyt kopiot eivät muodosta tuotteille CE-yhdenmukaisuutta.	Ressort du dispositif de poussée endommagé	Remplacer le ressort
GR Απαγορεύεται η αναπαραγωγή χωρίς προηγούμενη άδεια. Τα αντίγραφα του παρόντος έγγραφου δεν αποτελούν ομότιμα προϊόντα.	Pression pneumatique faible	Vérifier l'alimentation pneumatique de l'outil
IT Vietata la riproduzione senza permesso. Le copie non autorizzate di questo documento garantiscono la conformità CE per i relativi prodotti.	Fixations trop courtes pour l'outil Fixations pliées	Utiliser uniquement des fixations recommandées Ne plus utiliser ces fixations
NO Skal ikke reproduseres uten tillatelse. Ikke godkjente kopier av dette dokumentet har CE-merking for produktet.	Taille erronée des fixations	Utiliser uniquement des fixations recommandées
PT Reprodução proibida sem autorização da CE para os produtos.	Fuite au niveau du chapeau de cylindre	Serrer les vis/ Remplacer le joint
ES Prohibida la reproducción sin permiso. Las copias no autorizadas de este documento no suponen la conformidad con las normas CE de los productos.	Joint torique coupé/ usé sur la tige de la soupape	Remplacer le joint torique
SE Prohibida la reproducción sin permiso. Las copias no autorizadas de este documento no suponen la conformidad con las normas CE de los productos.	Martelet cassé/ ébréché	Remplacer le martelet (vérifier le joint torique du piston)
PL Niniejszy dokument nie może być kopiowany bez pozwolenia. Nieautoryzowane kopie niniejszego dokumentu nie stanowią deklaracji zgodności z normami CE prezentowanych produktów.	Chargeur usé Canal du martelet usé	Remplacer le chargeur Remplacer la pointe/ vérifier la porte
CZ Niniejszy dokument nie może być kopiowany bez pozwolenia. Nieautoryzowane kopie niniejszego dokumentu nie stanowią deklaracji zgodności z normami CE prezentowanych produktów.	Taille erronée des fixations	Utiliser uniquement des fixations recommandées
SK Rozmnožovanie bez povolenia výrobky.	Fixations pliées	Ne plus utiliser ces fixations
HU A dokumentum engedély nélkül nem sokszorosítható. Az engedély nélküli másolatok nem jelenti a termék CE-megfelelőségét.	Vis desserrées sur le chargeur/ pointe	Serrer toutes les vis
RO Reproducerea neautorizată este interzisă. Copiile neautorizate ale acestui document nu reprezintă conformitatea CE pentru produse.	Martelet cassé/ ébréché	Remplacer le martelet (vérifier le joint torique du piston)

# SICHERHEITSHINWEISE UND BETRIEBSANLEITUNG



VOR INBETRIEBNAHME DIESES GERÄTS SOLLTEN ALLE ANWENDER DIE VORLIEGENDE BEDIENUNGSANLEITUNG SORGFÄLTIG LESEN, UM DIE

SICHERHEITSHINWEISE UND BEDIENUNGSANLEITUNGEN ZU VERSTEHEN UND ANZUWENDEN. DIESE ANLEITUNGEN SIND ZUSAMMEN MIT DEM GERÄT ALS ZUKÜNFTIGE REFERENZ AUFZUBEWAHREN. SOLLTEN SIE FRAGEN HABEN, SETZEN SIE SICH BITTE MIT IHRER BOSTITCH-VERTRETUNG ODER DEREN VERTREIBER IN VERBINDUNG.

VOR INBETRIEBNAHME DIESES GERÄTS KONSULTIEREN SIE BITTE DIE DATENTABELLE, SPALTE L DES TECHNISCHEN DATENBLATTES, UM DAS ARBEITSSYSTEM IHRES GERÄTS ZU IDENTIFIZIEREN.

**Bei diesen Klammergeräten handelt es sich um professionelle druckluftbetriebene Werkzeuge.**

Kinder dürfen mit dem Werkzeug NICHT in Kontakt kommen. Unerfahrene Bediener müssen bei der Bedienung dieses Werkzeugs beaufsichtigt werden.

- Kleinkinder und gebrechliche Personen. Dieses Gerät ist nicht für die Verwendung durch Kleinkinder oder gebrechliche Personen ohne Beaufsichtigung bestimmt.

- Dieses Produkt ist nicht für die Verwendung durch Personen (einschließlich Kinder) bestimmt, die über eingeschränkte körperliche, sensorische oder mentale Fähigkeiten, mangelnde Erfahrung, Kenntnisse oder Fertigkeiten verfügen, es sei denn, sie werden von einer für ihre Sicherheit verantwortlichen Person beaufsichtigt. Kinder sollten niemals mit diesem Produkt unbeaufsichtigt gelassen werden.

- Nur technisch versierte Bediener sollten das Klammergeräten benutzen.
- Modifizieren Sie das Klammergeräten nicht. Änderungen können die Wirksamkeit der Sicherheitsmaßnahmen einschränken und die Risiken für den Bediener und/oder Zuschauer erhöhen.

BOSTITCH Geräte sind mit Präzision hergestellt und für hohe Geschwindigkeiten sowie für eine hohe Magazinfüllung konstruiert. Die Geräte werden effizient und zuverlässig arbeiten, wenn sie mit Sorgfalt und unter Beachtung der Bedienungsanleitungen

eingesetzt werden. Wie bei allen elektrischen Geräten sind die Hinweise des Herstellers zu befolgen, damit optimale Ergebnisse erzielt werden können. Bitte studieren Sie diese Anleitung und beachten Sie die Sicherheitshinweise vor dem Einsetzen des Geräts. Die Anleitungen bezüglich Installation, Handhabung und Wartung sollten sorgfältig gelesen werden und als Referenz aufbewahrt werden. Anmerkung: Zusätzliche Sicherheitsmaßnahmen könnten für spezielle Anwendungen des Geräts erforderlich sein. Kontaktieren Sie Ihre BOSTITCH Vertretung oder deren Vertreiber bei allen Fragen bezüglich des Geräts und seiner Anwendung.

## ⚠ HINWEIS:

BOSTITCH Geräte sind ganz auf die Bedürfnisse der Kunden abgestimmt - maximale Leistungen werden erreicht, wenn BOSTITCH Klammern, die nach denselben präzisen Standards entworfen wurden, eingesetzt werden.

**BOSTITCH kann keine Verantwortung für die Leistungen der Produkte gewähren, wenn eins unserer Geräte mit Klammern oder Zubehörteilen, die nicht den für BOSTITCH Original Nägel, Klammern und Zubehörteile aufgestellten Richtlinien entsprechen, verwendet wird.**

## INGESCHRÄNKTE HAFTUNG

BOSTITCH ist von der Qualität seiner Produkte überzeugt und garantiert den professionellen Einsatz seiner Produkte. Diese Garantieerklärung dient als Ergänzung und greift in keiner Weise Ihren vertraglichen Rechten als professioneller Bediener bzw. Ihrer gesetzlichen Rechte als privater, nicht-professioneller Bediener vor. Die Garantie gilt auf dem Gebiet der Mitgliedsstaaten der Europäischen Union und der Europäischen Freihandelszone.

Sollten Sie bei Ihrem BOSTITCH-Produkt innerhalb von 12 Monaten ab Kaufdatum einen Defekt aufgrund fehlerhafter Materialien oder einer fehlerhaften Verarbeitung feststellen, garantiert BOSTITCH unter folgenden Voraussetzungen den kostenlosen Ersatz sämtlicher defekter Teile oder – nach eigenem Ermessen – den kostenlosen Ersatz des Geräts:

- Das Produkt wurde nicht missbräuchlich eingesetzt;
- Das Produkt unterlag einem üblichen Verschleiß;
- Treiber, Puffer und O-Ringe werden als normale Verschleißteile betrachtet und sind von der Garantie ausgeschlossen • Es wurden keine Reparaturversuche durch unbefugte Personen unternommen • Es wird ein Kaufbeleg vorgelegt • Das Produkt wird

**vollständig einschließlich aller Originalkomponenten eingesendet • Das Produkt wird auf Ihre Kosten gemeinsam mit dem Kaufbeleg an Ihr regionales Reparaturzentrum oder an ein zugelassenes Garantiezentrum eingesendet.**

Sollten Sie die Garantie in Anspruch nehmen, verständigen Sie Ihren Händler, wenden Sie sich an einen im BOSTITCH-Katalog aufgeführten, zugelassenen BOSTITCH-Reparaturdienst in Ihrer Nähe oder verständigen Sie Ihre BOSTITCH-Filiale unter der in dieser Bedienungsanleitung angegebenen Adresse.

## BESONDERE HINWEISE

Es sollten nur Klammern für das Gerät verwendet werden, die den Spezifikationen in den Betriebsanleitungen (siehe technische Daten des Geräts) entsprechen. Aus Sicherheitsgründen sind das Gerät und die spezifizierten Klammern als ein einziges Sicherheitssystem zu betrachten.

Prüfen Sie das Gerät vor dem Gebrauch auf beschädigte, falsch angeschlossene oder verschlissene Teile.

Reparaturen sind von den dazu bevollmächtigten BOSTITCH Agenturen oder von anderen Experten auszuführen. Dabei sind die Sicherheitshinweise, die Bedienungs- und Wartungsanweisungen dieser Anleitung, die spezielle Betriebsanleitung für das Gerät sowie die entsprechenden technischen Daten sorgfältig zu berücksichtigen.

**Anmerkung:** Experten sind diejenigen, die basierend auf professioneller Ausbildung oder Erfahrung eine ausreichende Handfertigkeit im Verwenden von Klammergeräten erworben haben, um diese den Sicherheitsvorschriften entsprechend einzusetzen.

Ständer oder Spannvorrichtungen, die der Montage des Geräts auf eine Stützvorrichtung - wie zum Beispiel ein Arbeitstisch - dienen, sollen von dem Hersteller dieser Vorrichtung so entworfen und konstruiert werden, dass die Klammergeräte für die vorgesehene Verwendung sicher befestigt werden können und somit zum Beispiel Beschädigungen, Verdrehungen oder Verschiebungen vermieden werden.

## SICHERHEITSHINWEISE



EIN AUGENSCHUTZ, der Schutz gegen FRONTAL und SEITLICH fliegende Teilchen gewährleistet, sollte sowohl von dem Benutzer des Geräts als auch von anderen

Personen, die sich in dem Arbeitsbereich befinden, während des Ladens, des Verwendens und Wartens des Geräts getragen werden. Der Augenschutz ist erforderlich, um vor fliegenden Klammern und Abfallprodukten, die ernste Augenverletzungen verursachen könnten, zu schützen. Der Arbeitgeber und/oder der Anwender muss sicherstellen, dass geeigneter Augenschutz getragen wird.

Augenschutz im Einklang mit 89/686/EWG, und mindestens lt. Definition in EN166, sollte zur Anwendung kommen. Bei der Auswahl jeglicher persönlicher Schutzausrüstung sind jedoch auch sämtliche Aspekte der von Bedienern geleisteten Arbeit, Umgebung und sonstiger benutzter Maschinentypen zu berücksichtigen.



## VORSICHT: ZUSÄTZLICHER

**SICHERHEITSSCHUTZ** kann in bestimmten Umgebungen erforderlich sein. Der Arbeitsbereich kann zum Beispiel einen Geräuschpegel erreichen, der zu Hörschäden führen könnte. Der Arbeitgeber sowie der Anwender sollten sicherstellen, dass der notwendige Hörschutz vorgesehen ist und von dem Betreiber und den anderen sich im Arbeitsbereich befindenden Personen getragen wird. Manche Umgebungen können Kopfschutzausrüstung erforderlich machen. Falls erforderlich, müssen der Arbeitgeber und Benutzer sicherstellen, dass Kopfschutz getragen wird.

## LÄRMGEFAHREN

- Eine ungeschützte Belastung mit einem hohen Geräuschpegel kann dauerhaften, behindernden Hörverlust und andere Probleme zur Folge haben, wie Tinnitus (Klingeln, Rauschen, Pfeifen) oder Summen in den Ohren).
- Risikobewertung und Implementierung geeigneter Abwehrmaßnahmen für diese Gefahren sind erforderlich.
- Geeignete Abwehrmaßnahmen zur Verringerung des Risikos können Aktionen sein wie das Dämpfen von Materialien, um Bauteile am „Läuten“ zu hindern.
- Verwenden Sie geeigneten Hörschutz.
- Bedienen und warten Sie das Werkzeug wie in dieser Anleitung empfohlen, um einen unnötigen Anstieg des Geräuschpegels zu verhindern.

- Wenn das Werkzeug über einen Schalldämpfer verfügt, stellen Sie sicher, dass er eingesetzt wird und bei Betrieb des Werkzeugs in funktionsfähigem Zustand ist.

könnte das Gerät nach dem Abkoppeln mit Luft geladen sein. Dies könnte es ermöglichen, dass eine Klammer getrieben wird – auch nachdem die Luftleitung abgekoppelt wurde – und möglicherweise zu Verletzungen führen.

## GEFÄHRDUNG DURCH VIBRATIONEN

- Informationen zum Durchführen einer Risikobewertung dieser Gefahren und Implementierung geeigneter Maßnahmen sind notwendig.
- Eine Schwingungsbelastung kann Schäden an Nerven und der Blutzufuhr von Händen und Armen verursachen.
- Tragen Sie bei Arbeiten in kalter Umgebung warme Kleidung, halten Sie Ihre Hände warm und trocken.
- Wenn Sie ein Taubheitsgefühl, Kribbeln, Schmerzen oder Weißfärbung der Haut an Ihren Fingern oder Händen beobachten, suchen Sie ärztlichen Rat bei einem qualifizierten Arbeitsmediziner in Bezug auf allgemeine Tätigkeiten.
- Bedienen und warten Sie das Werkzeug wie in dieser Anleitung empfohlen, um einen unnötigen Anstieg des Schwingungsniveaus zu verhindern.
- Halten Sie das Werkzeug mit einem leichten aber sicheren Griff, da das Vibrationsrisiko normalerweise bei höherer Greifkraft erhöht ist.

- Die Luftzufuhr immer abkoppeln: 1) Bevor Regulierungen vorgenommen werden; 2) Bei Wartung des Geräts; 3) Bei Reinigung einer Verstopfung; 4) Wenn das Gerät nicht verwendet wird; 5) Bei dem Wechsel in einen anderen Arbeitsbereich, da ein versehentliches Auslösen erfolgen könnte, was möglicherweise zu Verletzungen führt.

## ☹ SICHERHEITSHINWEISE FÜR GELADENE GERÄTE

Beachten Sie Folgendes beim Laden des Werkzeugs: 1) Legen Sie nie eine Hand oder sonstiges Körperteil in den Austrittsbereich des Befestigungselements am Werkzeug; 2) Richten Sie das Werkzeug niemals auf sich selbst oder eine andere Person; 3) Ziehen Sie nicht den Auslöser oder drücken Sie nicht die Auslösesicherung, da dies eine versehentliche Auslösung zur Folge haben und eine Verletzung verursachen kann.

**Anmerkung: Spezifische Einlegevorschrift und Abmessungen von empfohlenen Befestigungselementen siehe separates Technisches Datenhandbuch für Werkzeuge.**

## ☹ SICHERHEITSVORKEHRUNGEN FÜR LUFTZUFUHR UND VERBINDUNGEN



Bei pneumatisch betriebenen Werkzeugen dürfen nicht Sauerstoffe oder brennbare Gase als Energiequelle verwendet werden.

Keine Gasflaschen oder Druckluft verwenden, wenn der maximale Leitungsdruck den in der Anleitung des jeweiligen Werkzeugs angegebenen Höchstdruck überschreiten könnte, weil dadurch das Werkzeug bersten kann und Verletzungen verursachen könnte. Wenn der maximale Luftzufuhrdruck diesen Wert übersteigen könnte; sollte ein druckreduzierendes Ventil mit einem nachfolgenden Sicherheitsventil in die Luftzufuhr eingebaut werden.

- Beim Anschluss an die Luftversorgung nicht den Auslöser ziehen oder die Auslösesicherung drücken. Das Gerät könnte in Betrieb geraten und möglicherweise Verletzungen verursachen.
- Der Anschluss des Geräts darf nicht unter Druck stehen, wenn die Luftzufuhr nicht angeschlossen ist. Durch Verwendung eines falschen Anschlusses

## ☹ SICHERHEITSANWEISUNGEN FÜR DIE VERWENDUNG DES GERÄTS

- Das Gerät immer mit Vorsicht behandeln: 1) Niemals Unfug damit treiben; 2) Niemals den Auslöser ziehen bevor die Mündung auf die Arbeit gerichtet ist; 3) Während der Benutzung des Geräts andere Personen in sicherem Abstand von dem Gerät halten, da möglicherweise Verletzungen verursacht werden könnten.
- Bei Werkzeugen mit einer Auslösesicherung (auch bezeichnet als Sicherheitsauslöser) darf der Benutzer den Auslöser nur während der Anwendung betätigt halten, da es zu ernstesten Verletzungen kommen könnte, wenn die Auslösesicherung versehentlich von einer Person oder einem Gegenstand berührt wird und damit das Werkzeug aktiviert wird.
- Hände und Körper müssen von dem Entladungsbereich des Geräts ferngehalten werden. Ein Werkzeug mit Auslösesicherung könnte zurückprallen und versehentlich eine zweite Klammer treiben, was möglicherweise Verletzungen verursacht.

• Die Funktion der Auslösesicherung häufiger kontrollieren. Das Gerät nicht verwenden, wenn der Arm nicht korrekt funktioniert, da versehentlich Klammern in Bewegung gesetzt werden könnten. Nicht in den korrekten Betrieb des Mechanismus der Auslösesicherung behindern.

• Klammern nicht auf anderen Klammern drücken, da dies die Deformation der Klammern zur Folge haben könnte und zu Verletzungen führen könnte.

• Die Klammern nicht in die Nähe der Ecken des Arbeitsteils heften, da sich das Holz spalten könnte, was zu einer Deformation der Klammern führen könnte und möglicherweise Verletzungen verursacht.

• Nicht zu weit vorlehnen. Nur in sicherer Arbeitsumgebung bedienen. Jederzeit auf fester Grundlage stehen und Gleichgewicht halten.

• Zuschauer fernhalten (bei Arbeiten in einem Bereich mit möglichem Personen-Durchgangsverkehr). Betriebsbereich klar markieren.

• Immer den zweiten Griff benutzen (wenn vorhanden).

• Nur geeignete Handschuhe tragen, die sicheren Griff und Kontrolle des Auslösers und der Einstellvorrichtungen bieten.

• Während des Betriebs fallen möglicherweise Abfallprodukte des Arbeitsteils und Heft-/Sammelsystems an.

• Vorsicht bei Werkzeugen ohne Arbeitsteilkontakt, da diese zufällig ausgelöst werden und den Bediener und/oder Zuschauer verletzen können.

• Stellen Sie sicher, dass das Werkzeug sich immer sicher auf dem Arbeitsteil befindet und nicht abrutschen kann.

• Körperliches Gleichgewicht halten und auf sicherer Grundlage stehen.

• Eine geeignete Schutzbrille tragen und entsprechende Handschuhe und Schutzkleidung werden empfohlen.

## ☛ SICHERHEITSANWEISUNGEN FÜR DIE GERÄTEWARTUNG

Bei Verwendung von Druckluftwerkzeugen sind die Warnungen in dieser Betriebsanleitung, in den spezifischen Anweisungen des Geräts sowie auf dem Gerät selbst zu beachten. Weiterhin müssen Sie besonders vorsichtig bei der Beurteilung von Geräten sein, die Probleme verursachen:

## ☛ SICHERHEITSANWEISUNGEN FÜR LUFTZUFUHR UND ANSCHLÜSSE

Beim Anschluss von Werkzeugen an die Druckluftversorgung sollte der Befestigungselement-Austrittsbereich des Werkzeugs vom Bediener und von anderen Personen im Arbeitsbereich weg zeigen. Den Austrittsbereich des Werkzeugs über einem ausreichend dicken Probestück des Materials, das die Abmessungen des anzubringenden Befestigungselements voll aufnimmt, ansetzen. Wenn sich keine Gliedmaßen und Körper in der Nähe des Austrittsbereich des Werkzeugs befinden, kann die Druckluftversorgung des Werkzeugs angeschlossen werden.

Um das versehentliche Auslösen und mögliche Unfälle zu vermeiden, ist die Luftzufuhr immer abzukoppeln:

1. Vor dem Ausführen von Regulierungen

2. Bei der Wartung des Geräts

3. Beim Beheben eines möglichen Klammerstaus

4. Wenn das Gerät nicht verwendet wird

5. Beim Wechsel in einen anderen Arbeitsbereich, da ein versehentliches Auslösen vorkommen kann und möglicherweise Verletzungen verursacht werden.

• Kompressoren müssen ausreichend dimensioniert sein, um sicherzustellen, dass genug Druck und Volumenstrom für die vorgesehene Anwendung vorhanden ist. Druckabfall der Luft kann die Antriebsenergie des Geräts reduzieren. Beziehen Sie sich auf die technischen Daten des Geräts, um den korrekten Druck des Geräts einzustellen.

• Industrielle Luftleitungen sollten auf einer Steigung, wobei der höchste Punkt dem Kompressor am nächsten liegen soll, auslegt sein. Leicht erreichbare Wasserschächte sollten an dem niedrigsten Punkt installiert werden – Die Wasserschächte sind mindestens täglich oder wenn nötig öfters abzulassen. Schmutz und Wasser in der Luftzufuhr sind die Hauptursachen der Abnutzung von pneumatischen Geräten. Die Anschlussstellen des Geräts sollten mit einer Filter-, Regulierungs-, Wartungseinheit direkt an der Anschlussstelle ausgestattet sein. Ein Filter wird dazu beitragen, die besten Ergebnisse und die minimalste Abnutzung zu erbringen. Der Filter muss eine ausreichende Fließkapazität für die spezifische Installation besitzen. Der Filter ist sauber zu halten, um das Gerät effektiv mit sauberer Druckluft zu versorgen. Konsultieren Sie die Anweisungen des Herstellers über die korrekte

Wartung Ihres Filters. Ein schmutziger und verstopfter Filter wird einen Druckabfall verursachen, der die Leistungen des Geräts reduzieren wird.

- Verbindungen von industriellen Luftleitungen zum Gerät sollten von der oberen Seite der Luftleitung erfolgen.
- Luftschläuche sollten eine Arbeitsdruckleistung von mindestens 10.6 Bar oder 150 Prozent des maximalen Drucks, der in dem Luftsystem erreicht werden kann, haben. Der Zuführschlauch sollte eine Ausstattung beinhalten, die ein "schnelles Abkoppeln" vom Stecker des Geräts ermöglicht.

- Stellen Sie sicher, dass der zum Gerät gelieferte Druck nicht den maximal erlaubten Arbeitsdruck, "ps max." genannt, überschreitet (siehe technische Daten des Geräts).
- Prüfen Sie, ob das Gerät korrekt funktioniert, indem Sie die Mündung auf ein Stück Altholz richten und den Auslöser ein- oder zweimal ziehen.

## SCHMIERUNG

- Häufige aber nicht übertriebene Schmierung erforderlich, um die besten Leistung zu erreichen. Das Zufügen von Öl durch die Luftleitungsverbindung wird die internen Teile schmieren. Die Details einer korrekten Schmierung entnehmen Sie den technischen Daten des Geräts. Verwenden Sie keine Reinigungsöle oder Zusätze, da diese Schmiermittel einen beschleunigten Verschleiß der Dichtungen und Puffer im Gerät verursachen, die schlechte Leistungen des Geräts sowie häufige Gerätewartung zur Folge haben.
- Wenn keine Schmierung durch die Luftleitung verwendet wird, ist ein- oder zweimal am Tag Öl in den Anschluss zuzufügen. Es sind jeweils nur ein paar Öltropfen (3-5) erforderlich. Zu viel Öl wird sich im Inneren des Geräts ansammeln und wird sich im Ablaufzyklus bemerkbar machen.
- Bedienung bei kaltem Wetter. Während des Arbeitens bei kaltem Wetter - nahe oder unter dem Gefrierpunkt - kann die in der Luft enthaltene Feuchtigkeit gefrieren und die Funktion des Geräts beeinträchtigen. Wir empfehlen, die Schmierung für pneumatische Geräte, BOSTITCHs Winter Formel oder permanente Antifriermittel (Äthylenglykol) als Schmiermittel bei kaltem Wetter zu verwenden.

**Achtung** – Um Frost- oder Eisbildung auf den Ventilen des Geräts und auf den Mechanismen, die Funktionsfehler des Geräts verursachen könnten, zu verhindern, das Gerät nicht in kalten Umgebungen lagern.

**Anmerkung:** Einige kommerzielle Trockenflüssigkeiten für Luftleitungen sind für "O"-Ringe und Dichtungen schädlich – verwenden Sie diese Lufttrockner für niedrige Temperaturen nicht ohne deren Verträglichkeit zu prüfen.

## 🔗 BEDIENUNG

**EIN AUGENSCHUTZ**, der Schutz gegen **FRONTAL** und **SEITLICH** fliegende Teilchen gewährleistet, sollte sowohl von dem Benutzer des Geräts als auch von anderen Personen, die sich im Arbeitsbereich befinden, während des Ladens, des Verwendens und Wartens des Geräts getragen werden. Der Augenschutz ist erforderlich, um vor fliegenden Klammern und Abfallprodukten, die ernste Augenverletzungen verursachen könnten, zu schützen. Der Arbeitgeber und/oder der Anwender muss sicherstellen, dass geeigneter Augenschutz getragen wird.

Augenschutz ausrüstung muss sowohl frontalen als auch seitlichen Schutz gewährleisten. **Anmerkung:** Seitlich nicht geschützte Brillen und Gesichtsschilder alleine gewährleisten keinen ausreichenden Schutz.

**⚠️ ACHTUNG!** Wenn das Werkzeug heruntergefallen ist oder Sie einen Werkzeugschaden vermuten, führen Sie eine Bedienungsüberprüfung des Geräts aus, wie im entsprechenden Abschnitt definiert.

## UM VERSEHENTLICHE VERLETZUNGEN ZU VERMEIDEN:

- Niemals Hände oder andere Körperteile in den Entladungsbereich des Geräts bringen, wenn die Luftzufuhr angeschlossen ist.
- Niemals das Gerät auf jemanden richten.
- Niemals damit Unfug treiben.
- Niemals den Auslöser ziehen bevor die Mündung auf die Arbeit gerichtet ist.
- Das Gerät immer mit Vorsicht behandeln.
- Den Auslöser nicht ziehen bzw. die Auslösesicherung während des Ladens des Geräts nicht herunterdrücken.

**BEDIENUNGSARTEN : BOSTITCH bietet SIEBEN verschiedene Bedienungsarten:**

Bedienungsart	Referenz Gerätehandbuch	Auslösesicherung / Sicherheitsauslöser
KONTAKTAUSLÖSUNG	1	✓
TEILWEISE Einzelauslösung	2	✓
VOLLSTÄNDIGE Einzelauslösung	2A	✓
DURCH AUSLÖSUNG BEDIENT	3	✗
BEDIENUNG MIT KONTINUIERLICHER KONTAKTAUSLÖSUNG	4	✓
KONTINUIERLICHER AUSLÖSER, ODER „AUTOMATISCHE BEDIENUNG“	5	✗
WÄHLBARER AUSLÖSEMODUS	6	✓

### WERKZEUGE OHNE AUSLÖSESICHERUNG (AUCH BEZEICHNET ALS SICHERHEITSAUSLÖSER)

- zwei mögliche Betriebsarten:

#### DURCH AUSLÖSUNG BEDIENT

(siehe Punkt 3 in der Tabelle zu den technischen Daten, Spalte L(a))

Das durch Auslösung bediente Modell läuft nur durch Betätigung des Auslösers. Dieses Modell hat keine Auslösesicherung und ist nur für Anwendungen vorgesehen, wo aufgrund der Einsatzbedingungen eine Auslösesicherung NICHT verwendet werden kann. Das durch Auslösung bediente Gerät läuft jedes Mal, wenn es betätigt wird.

#### KONTINUIERLICHER AUSLÖSER, ODER „AUTOMATISCHE BEDIENUNG“ (siehe Punkt 5 in der Tabelle zu den technischen Daten, Spalte L(a)).

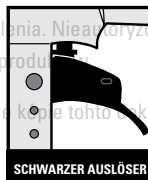
Das durch kontinuierliche Auslösung bediente Modell ermöglicht es, dass die Arbeitszyklen wiederholt werden können, solange der Auslöser betätigt bleibt. Dieses Modell hat keine Auslösesicherung und ist nur für Anwendungen vorgesehen, wo aufgrund der Einsatzbedingungen eine Auslösesicherung nicht verwendet werden kann.

### WERKZEUGE MIT AUSLÖSESICHERUNG (AUCH BEZEICHNET ALS SICHERHEITSAUSLÖSER)

- fünf mögliche Betriebsarten:

Alle Geräte mit Auslösesicherung sind mit einem umgedrehten gleichseitigen Dreieck (t) gekennzeichnet. Versuchen Sie nicht, ein so gekennzeichnetes Gerät zu verwenden, wenn die Auslösesicherung fehlt oder beschädigt scheint.

Die meisten Werkzeuge verfügen über eine Auslösesicherung, die sich normalerweise in einer "ausgestellten" oder "unteren" Stellung befindet (siehe Punkt 1 in der Tabelle der technischen Daten, Spalte L(b)). Bestimmte Werkzeuge verfügen über eine Auslösesicherung, die sich normalerweise in einer "vertieften" oder "oberen" Stellung befindet (siehe Punkt 2 in der Tabelle der technischen Daten, Spalte L(b)). Lesen Sie im Technischen Datenhandbuch Ihres jeweiligen Werkzeugs die vollständigen Anweisungen zu dieser Funktion.



#### KONTAKTAUSLÖSUNG (SCHWARZER AUSLÖSER) (siehe Punkt 1 in der Tabelle zu den technischen Daten, Spalte L(a))

Das übliche Bedienungsverfahren der Verwender von Geräten mit „berührungsabhängiger“ Aktivierungsart“ oder „kontinuierlicher Betriebsart“ sieht vor, den Sicherheitsauslöser – während der Auslöser gezogen ist - auszulösen, wobei bei jeder Berührung des

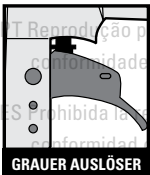


Werkstück eine Klammer eingesetzt wird. Dies ermöglicht ein schnelles Platzieren der Klammern bei vielen Arbeiten, wie Kisten- und Palettenmontage. Alle pneumatischen Geräte können bei dem Setzen von Klammern zurückschlagen. Das Gerät könnte aufspringen, den Sicherheitsauslöser lösen und wenn ungewollt ermöglicht wird, dass die Arbeitsoberfläche - mit dem noch gelösten Auslöser - erneut berührt wird (der Finger hält den Auslöser gezogen), wird eine zweite Klammer getrieben.



**⚠ ACHTUNG!** Mit diesem Symbol markierte Werkzeuge verfügen entweder über Kontaktauslösung, kontinuierliche Kontaktauslösung oder wählbare Auslösung. Diese Werkzeuge sind zur Verwendung in Produktionsanwendungen wie Paletten, Möbeln, Fertighäusern oder Möbelpolstern konzipiert. **Verwenden Sie dieses Gerät**

**NICHT** mit Kontaktauslösung bei Anwendungen wie dem Schließen von Kisten oder dem Montieren von Transport-Sicherheitssystemen an Anhängern und LKWs. Dieses Werkzeug darf nur in sicheren Arbeitsumgebungen verwendet werden. Es ist darauf zu achten, eine versehentliche Auslösung beim Wechsel von einer Arbeitsposition in eine andere zu verhindern.



**Einzelauslösung - 2 ARTEN (GRAUER AUSLÖSER):**

**TYP 1: TEILWEISE Einzelauslösung AKTIVIERUNGSART (siehe Punkt 2 in der Tabelle zu den technischen Daten, Spalte L(a))**

Die teilweise Einzelauslösung Aktivierungsart macht es erforderlich, dass der Anwender das Gerät mit gedrückter Auslösesicherung gegen das Werkstück hält, bevor er den Auslöser betätigt. Um zusätzliche Klammern zu fahren, muss der Auslöser gelöst und erneut gedrückt werden, damit das Gerät funktionsbereit ist. Solange das Gerät immer noch gegen das Arbeitsteil gehalten wird, löst das Gerät, jedes Mal, wenn der Auslöser gedrückt wird, aus.

**TYP 2: VOLLSTÄNDIGE Einzelauslösung (siehe Punkt 2A in der Tabelle zu den technischen Daten, Spalte L(a))**

Die vollständige Einzelauslösung funktioniert ähnlich wie die teilweise Einzelauslösung, lediglich muss zur Ausgabe zusätzlicher Klammern der Auslöser

losgelassen und das Gerät vom Werkstück entfernt werden, bevor die vorher genannten Schritte wiederholt werden.

Beide Arten der Einzelauslösung Aktivierung ermöglichen eine problemlose und exakte Position der Klammern, wie zum Beispiel an Rahmen, Absätzen und Anwendungen für Kisten. Die Einzelauslösung Aktivierung ermöglicht eine exakte Position der Klammern, ohne dass eine zweite Klammer wegen des Rückschlageffekts (siehe Beschreibung unter Kontaktauslösung unten) eingesetzt wird. Die Einzelauslösung hat einen Sicherheitsvorteil, da sie nicht versehentlich eine Klammer treiben wird, wenn das Gerät das Arbeitsteil oder etwas anderes berührt, während der Anwender den Auslöser gezogen hält.

**BEDIENUNG MIT KONTINUIERLICHER KONTAKTAUSLÖSUNG.**

**(Siehe Punkt 4 in der Tabelle zu den technischen Daten, Spalte L(a))**

Geräte mit einer kontinuierlichen Kontaktauslösung ermöglichen es, Laufzyklen so lange zu wiederholen, wie der Auslöser und Sicherheitsauslöser betätigt bleiben.

Vor dem Verwenden oder Bedienen dieses Geräts:

Lesen und verstehen Sie die in der Bedienungsanleitung enthaltenen Warnungen. Beziehen Sie sich auf die technischen Daten des Geräts, um das Arbeitssystem Ihres Geräts zu identifizieren.



**⚠ ACHTUNG!** Mit diesem Symbol markierte Werkzeuge verfügen entweder über Kontaktauslösung, kontinuierliche Kontaktauslösung oder wählbare Auslösung.

Diese Werkzeuge sind zur Verwendung in Produktionsanwendungen wie Paletten, Möbeln, Fertighäusern oder Möbelpolstern konzipiert. **Verwenden Sie dieses Gerät NICHT** mit Kontaktauslösung bei Anwendungen wie dem Schließen von Kisten oder dem Montieren von Transport-Sicherheitssystemen an Anhängern und LKWs. Dieses Werkzeug darf nur in sicheren Arbeitsumgebungen verwendet werden. Es ist darauf zu achten, eine versehentliche Auslösung beim Wechsel von einer Arbeitsposition in eine andere zu verhindern.



## WÄHLBARER AUSLÖSEMODUS (siehe Punkt 6 in der Tabelle zu den technischen Daten, Spalte L(a))

Bestimmte Werkzeuge sind mit einer wählbaren Aktivierung ausgestattet, was dem Benutzer ermöglicht, zwischen der Einzelauslösung Aktivierungsart und der Kontaktauslösung umzuschalten.

Die CE-Richtlinien für Produkte. Welche Auslöseart ausgewählt ist, wird durch die Position des Schalters "mode" angegeben. Wenn er auf das Symbol mit mehreren Nägeln zeigt, das in das Werkzeuggehäuse eingeprägt ist, so ist die Kontaktauslösung eingestellt. Wenn er auf das Symbol mit einem Nagel zeigt, das ebenfalls in das Werkzeuggehäuse eingeprägt ist, so ist die Betriebsart Einzelauslösung Aktivierung eingestellt. Lesen und verstehen Sie die obenstehenden Abschnitte, die mit Kontaktauslösung und Einzelauslösung betitelt sind, bevor sie die jeweilige Betriebsart auswählen.

Lesen Sie im Technischen Datenhandbuch Ihres jeweiligen Werkzeugs die Abschnitte unter dem Titel berührungsabhängige Aktivierung und sequenzielle Aktivierung, bevor Sie eine diese Betriebsarten einstellen.



**⚠ ACHTUNG!** Mit diesem Symbol markierte Werkzeuge verfügen entweder über Kontaktauslösung, kontinuierliche Kontaktauslösung oder wählbare Auslösung.

Diese Werkzeuge sind zur Verwendung in Produktionsanwendungen wie Paletten, Möbeln, Fertighäusern oder Möbelpolstern konzipiert. **Verwenden Sie dieses Gerät**

**NICHT** mit Kontaktauslösung bei Anwendungen wie dem Schließen von Kisten oder dem Montieren von Transport-Sicherheitssystemen an Anhängern und LKWs. Dieses Werkzeug darf nur in sicheren Arbeitsumgebungen verwendet werden. Es ist darauf zu achten, eine versehentliche Auslösung beim Wechsel von einer Arbeitsposition in eine andere zu verhindern.

## BEDIENUNGSÜBERPRÜFUNG DES GERÄTS

**VORSICHT:** Alle Klammern vor der Ausübung der Bedienungsüberprüfung aus dem Gerät entfernen.

**⚠ ACHTUNG!** Wenn das Werkzeug heruntergefallen ist oder Sie einen Werkzeugschaden vermuten, führen

**Sie eine Bedienungsüberprüfung des Geräts aus, wie im entsprechenden Abschnitt definiert.**

### DURCH AUSLÖSUNG BEDIENTES GERÄT:

- Halten Sie das Gerät mit dem Finger auf dem Auslöser mit fester Hand am Griff.
- Halten Sie die Mündung des Geräts gegen die Arbeitsoberfläche.
- Ziehen Sie den Auslöser, um eine Klammer zu treiben. Lassen Sie den Auslöser los und der Zyklus ist komplett.

**VORSICHT:** Das Gerät wird jedes Mal laufen, wenn der Auslöser gezogen ist!

### KONTINUIERLICHER AUSLÖSER ("AUTOMATISCHE BEDIENUNG")

- Halten Sie das Gerät mit dem Finger auf dem Auslöser mit fester Hand am Griff.
- Halten Sie die Mündung des Geräts gegen die Arbeitsoberfläche.
- Ziehen Sie den Auslöser und schieben Sie das Gerät von Seite zu Seite oder vor- und rückwärts. Das Gerät wird weiterlaufen bis der Auslöser gelöst wird.

**VORSICHT:** Stellen Sie sicher, dass das Gerät fest gegen die Arbeitsoberfläche gehalten wird und dass es während der Bedienung nicht zu nahe an die Ecken der Arbeitsoberfläche gelangt. Eine Klammer könnte in die Luft geschleudert werden und möglicherweise Verletzungen verursachen.

### BEDIENUNG MIT KONTINUIERLICHER KONTAKTAUSLÖSUNG

- Drücken Sie die Auslösesicherung gegen die Arbeitsoberfläche, ohne den Auslöser zu berühren. **DAS GERÄT DARF NICHT LAUFEN.**
- Halten Sie das Gerät fern von der Arbeitsoberfläche und ziehen Sie den Auslöser, ohne das Gerät auf sich selbst oder andere zu richten. **DAS GERÄT DARF NICHT LAUFEN.**
- Halten Sie das Gerät fern von der Arbeitsoberfläche und ziehen Sie am Auslöser. Drücken Sie den Kontaktauslöser gegen die Arbeitsoberfläche. **DAS GERÄT SOLL LAUFEN.**

D) Drücken Sie, ohne den Auslöser zu berühren, die Auslösesicherung gegen das Arbeitsoberfläche, und ziehen Sie dann am Auslöser.  
**DAS GERÄT SOLL LAUFEN.**

### TEILWEISE EINZELAUSLÖSUNG

A) Drücken Sie die Auslösesicherung gegen die Arbeitsoberfläche, ohne den Auslöser zu berühren.  
**DAS GERÄT DARF NICHT LAUFEN.**

B) Halten Sie das Gerät fern von der Arbeitsoberfläche und ziehen Sie den Auslöser, ohne das Gerät auf sich selbst oder andere zu richten.  
**DAS GERÄT DARF NICHT LAUFEN.**

C) Halten Sie das Gerät fern von der Arbeitsoberfläche und ziehen Sie am Auslöser. Drücken Sie die Auslösesicherung gegen die Arbeitsoberfläche.  
**DAS GERÄT DARF NICHT LAUFEN.**

D) Drücken Sie, ohne den Auslöser zu berühren, die Auslösesicherung gegen das Arbeitsoberfläche, und ziehen Sie dann am Auslöser.  
**DAS GERÄT SOLL LAUFEN.**

E) Halten Sie die Auslösesicherung weiterhin gegen die Arbeitsoberfläche und ziehen Sie erneut am Auslöser.  
**DAS GERÄT SOLL LAUFEN.**

### VOLLSTÄNDIG EINZELAUSLÖSUNG

A) Drücken Sie die Auslösesicherung gegen die Arbeitsoberfläche, ohne den Auslöser zu berühren.  
**DAS GERÄT DARF NICHT LAUFEN.**

B) Halten Sie das Gerät fern von der Arbeitsoberfläche und ziehen Sie den Auslöser, ohne das Gerät auf sich selbst oder andere zu richten.  
**DAS GERÄT DARF NICHT LAUFEN.**

C) Halten Sie das Gerät fern von der Arbeitsoberfläche und ziehen Sie am Auslöser. Drücken Sie die Auslösesicherung gegen die Arbeitsoberfläche.  
**DAS GERÄT DARF NICHT LAUFEN.**

D) Drücken Sie, ohne den Auslöser zu berühren, die Auslösesicherung gegen das Arbeitsoberfläche, und ziehen Sie dann am Auslöser.  
**DAS GERÄT SOLL LAUFEN.**

E) Halten Sie die Auslösesicherung weiterhin gegen die Arbeitsoberfläche und ziehen Sie erneut am Auslöser.  
**DAS GERÄT DARF NICHT LAUFEN.**

### BEDIENUNG MIT KONTINUIERLICHER KONTAKTAUSLÖSUNG:

A) Drücken Sie die Auslösesicherung gegen die Arbeitsoberfläche, ohne den Auslöser zu berühren.  
**DAS GERÄT DARF NICHT LAUFEN.**

B) Halten Sie das Gerät fern von der Arbeitsoberfläche und ziehen Sie den Auslöser, ohne das Gerät auf sich selbst oder andere zu richten.  
**DAS GERÄT DARF NICHT LAUFEN.**

C) Halten Sie das Gerät fern von der Arbeitsoberfläche und ziehen Sie am Auslöser. Drücken Sie die Auslösesicherung gegen die Arbeitsoberfläche und schieben Sie das Gerät entweder von einer zur anderen Seite oder vorwärts und rückwärts.  
**DAS GERÄT SOLL LAUFEN UND SOLANGE WEITERLAUFEN, BIS ENTWEDER DER AUSLÖSER GELÖST WIRD ODER DAS GERÄT VON DER ARBEITSOBERFLÄCHE WEGGENOMMEN WURDE.**

D) Drücken Sie, ohne den Auslöser zu berühren, die Auslösesicherung gegen das Arbeitsoberfläche, und ziehen Sie dann am Auslöser.  
**DAS GERÄT SOLL LAUFEN UND SOLANGE WEITERLAUFEN, BIS ENTWEDER DER AUSLÖSER GELÖST WIRD ODER DAS GERÄT VON DER ARBEITSOBERFLÄCHE WEGGENOMMEN WURDE.**

### VERWENDUNG DES GERÄTS

Nach der Ausführung der "Funktionsprüfung des Geräts" wie vorangehend beschrieben, die Mündung gegen das Arbeitsteil drücken und am Auslöser ziehen. Prüfen Sie, ob die Klammer wie gewünscht gesetzt wurde.

- Wenn die Klammer nicht tief genug gesetzt wurde, ist der Luftdruck um 5-6 psig. (0.5 Bar) jeweils zu erhöhen. Nach jeder Regulierung ist das Ergebnis zu überprüfen. Der maximal erlaubte Arbeitsdruck (siehe technisches Datenblatt des Geräts) ist nicht zu überschreiten.

- Wenn die Klammer zu tief gesetzt wurde, ist der Luftdruck um 5-6 psig. (0.5 Bar) jeweils zu reduzieren. Nach jeder Regulierung ist das Ergebnis zu überprüfen. Der minimale Arbeitsdruck (siehe technisches Datenblatt des Geräts) ist nicht zu unterschreiten.

Arbeiten Sie immer mit einem Druck, der so niedrig wie möglich ist. Dies wird die Geräusche sowie die entstehenden Vibrationen reduzieren und die Lebensdauer der internen Komponenten verlängern.

## ZUSÄTZLICH ZU DEN ANDEREN WARNUNGEN IN DIESER BETRIEBSANLEITUNG BEACHTEN SIE DIE FOLGENDEN ANWEISUNGEN FÜR EINE SICHERE BEDIENUNG:

- Respektieren Sie Ihr BOSTITCHs pneumatisches Klammergeräten als ein Gerät. Es ist kein Spielzeug. Keinen Unfug betreiben.
- Verwenden Sie das BOSTITCH pneumatische Klammergeräten nur für Zwecke, für die es entworfen wurde.
- Verwenden Sie das Gerät niemals in einer Weise, die verursachen könnte, dass die Klammern in Richtung des Anwenders oder Anderen sich im Arbeitsbereich befindenden Personen gelangen.
- Verwenden Sie das Gerät nicht als Hammer.
- Das Gerät immer am Griff tragen. Niemals das Gerät am Luftschlauch befördern. Das Gerät niemals mit gezogenem Auslöser transportieren.
- Das Originaldesign oder die Originalfunktion des Geräts nicht ohne die schriftliche Erlaubnis von BOSTITCH verändern bzw. modifizieren.
- Seien Sie sich immer bewusst, dass der Missbrauch und nicht ordnungsgemäße Verwendung dieses Geräts zu Verletzungen bei sich selbst oder bei Anderen führen kann.
- Klemmen bzw. befestigen Sie den Auslöser oder die Auslösesicherung niemals in einer ausgelösten Position.
- Lassen Sie ein mit Luftschlauch verbundenes Gerät niemals unbeaufsichtigt.
- Verwenden Sie dieses Gerät nicht, wenn es kein lesbares WARNSCHILD besitzt.
- Verwenden Sie ein Gerät nicht weiter, das Luft verliert oder nicht korrekt funktioniert. Informieren Sie Ihre nächste BOSTITCH Vertretung, wenn Ihr Gerät weiterhin Funktionsprobleme aufweist.
- Halten Sie das Gerät während des Betriebs so, dass falls sich der Rückschlag des Geräts wegen eines Abfalls des Luftdrucks oder wegen harter Stellen am Arbeitsteil verstärkt, keine Kopf- oder Körperverletzungen verursacht werden könnten.
- Arbeiten Sie nicht in der Nähe von Winkeln und Ecken auf dem Arbeitsteil. Die Klammer könnte aus dem Arbeitsteil rutschen und möglicherweise zu Verletzungen führen.

- Wenn Sie das Gerät transportieren, trennen Sie vorher die Luftzufuhr.
- Prüfen Sie, dass sowohl die Auslösesicherung (wenn vorhanden) als auch der Auslöser korrekt funktionieren.
- Entfernen oder blockieren Sie keins der Teile des Geräts, insbesondere nicht die Auslösesicherung.
- Vermeiden Sie, das Gerät durch Schlägen oder Einkerben zu beschädigen.



- Verwenden Sie keine beschädigten, verschlissenen oder minderwertigen Luftschläuche und Armaturen.



- Tragen Sie das Werkzeug nicht am Schlauch.

- Seien Sie vorsichtig bei der Verwendung von pneumatischen Werkzeugen, da das Werkzeug kalt werden und den Griff und die Kontrolle beeinträchtigen kann.

### Gefahren durch repetitive Bewegungen

- Bei der Verwendung eines Werkzeugs über einen langen Zeitraum kann der Bediener Unbehagen in den Händen, Armen, Schultern, Nacken oder anderen Körperteilen feststellen.

#### Folgendes gilt:

- Während der Verwendung des Werkzeugs sollte der Bediener eine geeignete aber ergonomische Position einnehmen. Eine sichere Grundlage gewährleisten, und eine ungünstige Körperhaltung oder eine, die nicht im Gleichgewicht ist, vermeiden.
- Sollte der Bediener Symptome wie hartnäckiges oder wiederkehrendes Unbehagen, Schmerzen, Pochen, Kribbeln, Taubheit, ein brennendes Gefühl oder Steifheit erleben, dürfen diese Warnsignale nicht ignoriert werden. Der Bediener sollte einen qualifizierten Mediziner in Bezug auf allgemeine Tätigkeiten aufsuchen.

### Gefahren am Arbeitsplatz

- Ausrutschen, Stolpern und Hinfallen sind die Hauptursachen für Verletzungen am Arbeitsplatz. Achten Sie auf rutschige Oberflächen durch Verwendung des Werkzeugs und auf Stolperfallen durch den Luftschlauch.

• Seien Sie besonders vorsichtig in ungewohnten Umgebungen. Möglicherweise gibt es versteckte Risiken, wie Strom- oder andere öffentliche Bedarfsleitungen.

• Dieses Gerät ist nicht für den Gebrauch in potenziell explosiven Atmosphären vorgesehen und ist nicht gegen Kontakt mit elektrischem Strom isoliert.

• Stellen Sie sicher, dass keine elektrischen Kabel, Gasleitungen etc. vorhanden sind, die eine Gefahr darstellen können, wenn Sie durch Verwendung des Werkzeugs beschädigt werden.

## Restrisiken

Die Verwendung dieser Geräte birgt die folgenden Risiken:

• Verletzungen durch unsachgemäße Verwendung des Geräts.

• Kontrollverlust durch unzureichend festen Griff des Geräts.

• Muskelzerrung in Armen und Beinen, insbesondere bei Arbeiten über Kopf. Achten Sie auf regelmäßige Pausen bei Arbeiten über längere Zeiträume.

Trotz Einhaltung der entsprechenden Sicherheitsvorschriften und dem Einsatz von Sicherheitseinrichtungen können Restrisiken nicht ausgeschlossen werden. Dies sind:

• Schädigung des Gehörs

• Risiko persönlicher Verletzungen durch umherfliegende Teilchen

• Risiko von Verbrennungen durch zu heiß werdende Zubehörteile während des Betriebs.

• Risiko persönlicher Verletzungen durch längeren Gebrauch.

• Kontrollverlust durch Rückschlag.

• Verletzungsgefahr durch Quetschpunkte, scharfe Kanten und unsachgemäße Handhabung des Arbeitsteils.

• Verletzungsgefahr durch scharfe Kanten beim Wechseln von Klammern oder Nägeln.

## GERÄUSCHEMISSION (siehe technisches Datenblatt des Geräts)

Die charakteristischen Geräuschwerte des Geräts wurden in Übereinstimmung mit der EN 12549

“Acoustics - Noise test code for fastener driving tools - Engineering Method” (Akustik – Geräuschtestcode

für Heftgeräte – Ingenieurwissenschaftliche Methode) festgelegt.

Dies sind charakteristische, auf das Gerät bezogene Werte und sie repräsentieren nicht die Geräuschentwicklung während der Verwendung. Die Geräuschentwicklung während der Verwendung ist zum Beispiel von der Arbeitsumgebung, der Unterlage des Arbeitsteils sowie der Anzahl der Heftvorgänge usw. abhängig.

In Abhängigkeit der Bedingungen am Arbeitsplatz und des zu bearbeitenden Teils könnten individuelle Maßnahmen, wie das Platzieren der Arbeitsteile auf schalldämpfenden Unterlagen, das Verhindern von Vibrationen der zu bearbeitenden Teile durch festklemmen oder abdecken und das Einstellen des minimalen benötigten Drucks usw. zur Abschwächung der Geräusche erforderlich sein.

## INFORMATIONEN ZUR VIBRATION (siehe technisches Datenblatt des Geräts)

Die charakteristischen Vibrationswerte des Geräts wurden in Übereinstimmung mit der ISO/WD 8662-11 “Measurement of vibration in hand held power tools - Part 11 Fastener Driving Tools” (Vibrationsmessungen von elektrischen Handgeräten – Teil 11 Heftgeräte) festgelegt.

Dies sind charakteristische, auf das Gerät bezogene Werte und sie repräsentieren nicht den Einfluss auf Hände und Arme während der Verwendung. Der Einfluss auf Hände und Arme während der Verwendung ist zum Beispiel von der Haltekraft, der Kontaktkraft, der Arbeitsrichtung, der Regulierung der Druckluftzufuhr, dem zu bearbeitenden Teil und der Arbeitsunterlage usw. abhängig.

GB Not to be reproduced without permission. Unauthorised copies of this document do not constitute CE compliance for the products.

FR Reproduction interdite sans permission préalable. Les copies non autorisées de ce document ne signifient en rien que les produits soient conformes aux normes CE.

DE Vervielfältigung nicht ohne Genehmigung gestattet. Unzulässige Kopien dieses Dokuments erfüllen nicht die CE-Richtlinien für Produkte.

NL Mag niet worden vernetigd zonder toestemming. Onrechtmatige kopieën van dit document willen niet zeggen dat de producten voldoen aan de CE-vereisten.

DK Må ikke gengives uden tilladelse. Uautoriserede kopier af dette dokument udgør ikke CE-overholdelse for produkterne.

FI Ei saa julkentää ilman lupaa. Tämän asiakirjan ilman valtuutusta tehty käännös ei välttämättä muotoile tuotteille CE-vaatimuksia.

GR Η παρούσα δεν αποτελεί έγγραφο χωρίς προηγούμενη έγκριση. Τα μη εξουσιοδοτημένα αντίγραφα του παρόντος εγγράφου δεν αποτελούν συμμόρφωση CE για τα προϊόντα.

- A) Zum Luftsystem
- B) Hauptleitungen (3 x Einlassgröße Druckluftwerkzeug)
- C) Zum Druckluftwerkzeug
- D) Notfallschieberventil
- E) Schmiervorrichtung
- F) Regler
- G) Abzweigung (2 x Einlassgröße Druckluftwerkzeug)
- H) Abfluss
- I) Kompressor
- J) Filter
- K) 1/4" NPT Armatur mit hohem Durchfluss
- L) Luftschlauch 3/8" (10mm) I.D. Min

## INBETRIEBSETZUNG DES GERÄTS

Es sollte eine Luftfiltereinheit (J) zwischen dem Druckluftherzeuger und Luftöler platziert werden, um die Bereitstellung von sauberer Luft für das Gerät sicherzustellen. Wasser und Schmutz können das pneumatische Werkzeug beschädigen (siehe Abbildung oben).

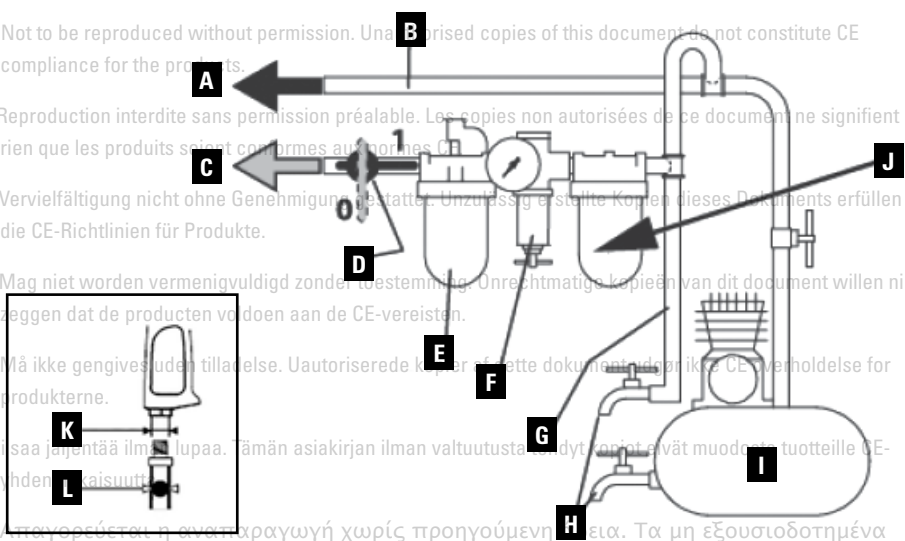
## FEHLERSUCHE & WARTUNG

Reparaturen sind von den dazu bevollmächtigten BOSTITCH Agenturen oder von anderen Experten auszuführen. Dabei sind die Sicherheitshinweise, die Bedienungs- und Wartungsanweisungen dieser Anleitung, die spezielle Betriebsanleitung für das Gerät sowie die entsprechenden technischen Daten sorgfältig zu berücksichtigen.

- Lösen Sie das Gerät von der Luftzufuhr und entleeren Sie das Magazin komplett, bevor Wartungen oder Reparaturen ausgeführt werden. Beachten Sie die Warnungen in dieser Betriebsanleitung, in den technischen Datenblättern des Geräts sowie auf dem

Gerät selbst und seien Sie besonders vorsichtig, wenn Sie Geräte, die Probleme aufweisen, beurteilen.

- Es sollten nur echte BOSTITCH Ersatzteile verwendet werden. Verwenden Sie keine modifizierten Teile oder Teile, die nicht die gleichen Leistungen wie die Originalteile erbringen.
- Wenn Sie ein Gerät reparieren, stellen Sie sicher, dass die internen Teile sauber und geschmiert sind. Verwenden Sie Parker "O"-Schmierung oder ein dem entsprechendes Produkt auf allen "O"-Ringen. Bestreichen Sie jeden "O"-Ring vor der Montage mit "O"-Schmierung. Verwenden Sie eine kleine Ölmenge auf allen beweglichen Oberflächen und Bolzen. Nach dem Wiederaussetzen fügen Sie vor dem Testen ein paar Tropfen BOSTITCHs Schmierung für pneumatische Geräte durch die Luftleitung hinzu.
- Weitere Anweisungen bezüglich der Wartung Ihres Geräts sind dem technischen Datenblatt des Geräts zu entnehmen.
- Wenn das Problem nicht durch die Zuhilfenahme der unten aufgeführten Anleitung gelöst werden kann, wenden Sie sich an Ihre nächstliegende BOSTITCH Vertretung bzw. an einen Händler.



DE

PROBLEM	URSACHE	BEHEBUNG
<b>Funktionsausfall</b>	<b>Verengung der Luftzufuhr</b>	<b>Prüfen Sie die Luftzufuhr</b>
	<b>Gerät ist trocken, Mangel an Schmierung</b>	<b>Verwenden Sie BOSTITCH Schmierung für pneumatische Geräte</b>
	<b>Verschleiß O-Ringe/Druckventil (wenn vorhanden)</b>	<b>O-Ringe ersetzen</b>
	<b>Gebrochene Zylinderdeckelfeder</b>	<b>Zylinderdeckelfeder ersetzen</b>
	<b>Kopfventil (wenn vorhanden) im Deckel festgesetzt</b>	<b>Auseinanderbauen/Prüfen/Schmieren</b>
<b>Kraft fehlt, langsames Laufen</b>	<b>Luftdruck ist zu niedrig</b>	<b>Prüfen Sie die Luftzufuhr</b>
	<b>Gerät ist trocken, Mangel an Schmierung</b>	<b>Verwenden Sie BOSTITCH Schmierung für pneumatische Geräte</b>
	<b>Gebrochene Zylinderdeckelfeder</b>	<b>Zylinderdeckelfeder ersetzen</b>
	<b>O-Ringe/Dichtungen gerissen oder gebrochen</b>	<b>O-Ringe/Dichtungen ersetzen</b>
	<b>Abluft-Auslass blockiert</b>	<b>Pufferkopf-Ventilfeder, Schalldämpfer überprüfen</b>
	<b>Auslöseventil abgenutzt, undicht</b>	<b>Teile des Auslösers ersetzen</b>
	<b>Zylinderbuchse ist nicht korrekt auf unterem Puffer platziert</b>	<b>Auseinanderbauen und Korrigieren</b>
	<b>Kopfventil (wenn vorhanden) trocken</b>	<b>Auseinanderbauen/Prüfen/Schmieren</b>
<b>Gehäuse Auslöserventil nicht luftdicht</b>	<b>O-Ringe/Dichtungen gerissen oder gebrochen</b>	<b>O-Ringe/Dichtungen ersetzen</b>
<b>Gehäusesteg Auslöserventil nicht luftdicht</b>	<b>O-Ringe/Dichtungen gerissen oder gebrochen</b>	<b>O-Ringe/Dichtungen ersetzen</b>
<b>Gehäuse/Schlauch nicht luftdicht</b>	<b>O-Ringe/Dichtungen gerissen oder gebrochen</b>	<b>O-Ringe/Dichtungen ersetzen</b>
	<b>Puffer gerissen/verschlissen</b>	<b>Puffer ersetzen</b>
<b>Gehäusedeckel verliert Luft</b>	<b>Beschädigte Manschette oder Dichtung</b>	<b>Manschette oder Dichtung ersetzen</b>
	<b>Puffer gerissen/verschlissen</b>	<b>Puffer ersetzen</b>
	<b>Lose Deckelschrauben</b>	<b>Festziehen und überprüfen</b>
<b>Befestigungsmittel werden nicht bei jedem Zyklus zugeführt</b>	<b>Verschlissener Puffer</b>	<b>Puffer ersetzen</b>
	<b>Verengung Luft/ungenügender Luftfluss durch Schnellkupplung</b>	<b>Schnellkupplung ersetzen</b>
	<b>Verschlissener Kolben O-Ring (wenn vorhanden)</b>	<b>O-Ring ersetzen, Treiber überprüfen</b>

PROBLEM	URSACHE	BEHEBUNG
GB Not to be reproduced without permission for the products.	Gerät ist trocken, Mangel an Schmierung	Verwenden Sie BOSTITCH Schmierung für pneumatische Geräte
FR Reproduction interdite sans permission préalable. Les copies non autorisées de ce document ne signifient en rien que les produits soient conformes à la norme CE.	Beschädigte Stoßfeder	Feder ersetzen
DE Vervielfältigung nicht ohne Genehmigung des Herstellers zulässig. Kopien dieses Dokuments erfüllen nicht die CE-Richtlinien für Produkte.	Niedriger Luftdruck	Prüfen Sie die Luftzufuhr
NL Mag niet worden vernoemd zonder toestemming. Onrechtmatig kopiëren van dit document willen niet zeggen dat de producten voldoen aan de CE-merking.	Gelöste Magazinschrauben	Alle Schrauben anziehen
DK Må ikke gengives uden tilladelse fra producenten.	Befestigungsmittel zu kurz für das Gerät	Nur empfohlene Befestigungsmittel verwenden
FI Ei saa jäljentää ilman lupaa. Tämä ei tarkoita, että kopioita tehdyt tuotteet eivät täyttäneet yhdenmukaistusta.	Befestigungsmittel verbogen	Verwenden Sie diese Befestigungsmittel nicht mehr
GR Απαγορεύεται η αναπαραγωγή ή η αντιγραφή του παρόντος έγγραφου δεν αποτελεί υπόδειξη συμμόρφωσης CE για τα προϊόντα.	Befestigungsmittel in der falschen Größe	Nur empfohlene Befestigungsmittel verwenden
IT Vietata la riproduzione senza permesso. Le copie non autorizzate di questo documento non garantiscono la conformità CE per i relativi prodotti.	Kopfdichtung undicht	Schrauben anziehen, Kopfdichtung überprüfen
NO Skal ikke reproduseres uten tillatelse. Ikke godkjente kopier av dette dokumentet kan ikke kravene for CE-merking for produktet.	Auslöser und O-Ring gerissen/verschlissen	O-Ringe/Dichtungen ersetzen
PT Reprodução proibida sem autorização expressa. As cópias não autorizadas deste documento não supõem a conformidade com a CE para os produtos.	Treiber kaputt/angeschlagen	Treiber ersetzen (Kolben O-Ring überprüfen)
ES Prohibida la reproducción sin permiso. Las copias no autorizadas de este documento no suponen la conformidad con las normas CE de los productos.	Trockenes/schmutziges Magazin	Säubern/Schmieren; Verwenden Sie BOSTITCH Schmierung für pneumatische Geräte
SE Prohibida la reproducción sin permiso. Las copias no autorizadas de este documento no suponen la conformidad con las normas CE de los productos.	Magazin verschlissen	Magazin ersetzen
PL Niniejszy dokument nie może być kopiowany bez pozwolenia. Nieautoryzowane kopie niniejszego dokumentu nie stanowią deklaracji zgodności CE prezentowanych produktów.	Treiber und Nase verschlissen	Nase ersetzen / Treiberkanal überprüfen
CZ Niniejszy dokument nie może być kopiowany bez pozwolenia. Nieautoryzowane kopie niniejszego dokumentu nie stanowią deklaracji zgodności CE prezentowanych produktów.	Befestigungsmittel in der falschen Größe	Nur empfohlene Befestigungsmittel verwenden
SK Rozmnožovanie bez povolenia je zakázané. Neoprávnené kópie tohto dokumentu nie sú v súlade s CE pre dané výrobky.	Befestigungsmittel verbogen	Verwenden Sie diese Befestigungsmittel nicht mehr
HU A dokumentum engedély nélkül nem sokszorosítható. Az engedély nélkül sokszorosított dokumentum nem jelenti a termék CE-megfelelőségét.	Lose Magazin/Nase- Schrauben	Alle Schrauben anziehen
RO Reproducerea neautorizată este interzisă. Copiile neautorizate ale acestui document nu reprezintă conformitatea CE pentru produse.	Treiber kaputt/angeschlagen	Treiber ersetzen (Kolben O-Ring überprüfen)



# ⚠ VEILIGHEIDS- EN BEDIENINGSHANDLEIDING



ALVORENS DIT GEREEDSCHAP TE GEBRUIKEN, DIENEN ALLE GEBRUIKERS DEZE HANDLEIDING TE HEBBEN DOORGELEZEN EN BEGREPEN, OPDAT DE VEILIGHEIDSVORSCHRIFTEN EN INSTRUCTIES WORDEN OPGEVOLGD. BEWAAR DEZE INSTRUCTIES BIJ HET GEREEDSCHAP VOOR EVENTUELE LATERE RAADPLEGING. NEEM IN GEVAL VAN VRAGEN OF TWIJFELS CONTACT OP MET UW VERTEGENWOORDIGER OF BOSTITCH DISTRIBUTEUR.

RAADPLEEG, ALVORENS DIT GEREEDSCHAP TE GEBRUIKEN, DE GEGEVENSABEL VAN HET GEREEDSCHAP, KOLOM L OP HET TECHNISCHE GEGEVENSBLAD OM HET BEDIENINGSSYSTEEM VAN UW GEREEDSCHAP TE IDENTIFICEREN.

**Deze bevestigingsgereedschappen zijn professionele elektrische gereedschappen.**

Houdt het gereedschap BUITEN BEREIK van kinderen. Toezicht is vereist wanneer onervaren gebruikers dit gereedschap gebruiken.

- Jonge kinderen en personen met beperkte mobiliteit. Dit gereedschap is niet bedoeld voor gebruik door jonge kinderen of personen met beperkte mobiliteit zonder toezicht.

- Dit product is niet bedoeld voor gebruik door personen (met inbegrip van kinderen) met verminderde lichamelijke, zintuiglijke of geestelijke vermogens of een gebrek aan ervaring, kennis of vaardigheden, tenzij zij onder toezicht staan van iemand die verantwoordelijk is voor hun veiligheid. Kinderen mogen nooit alleen worden gelaten met dit product.

- Alleen technisch geschoolde gebruikers mogen het bevestigingsgereedschap gebruiken.

- Wijzig niets aan het bevestigingsgereedschap.

- Wijzigingen kunnen de doeltreffendheid van veiligheidsmaatregelen verminderen en de risico's voor de gebruiker en/of omstander verhogen.

BOSTITCH gereedschappen zijn gemaakt en ontworpen om snel vele bevestigingen te kunnen maken. Deze gereedschappen bieden efficiënte, betrouwbare prestaties indien ze zorgvuldig en overeenkomstig de instructies worden gebruikt. Zoals bij elk pneumatisch gereedschap moeten de aanwijzingen van de fabrikant worden opgevolgd om de beste resultaten te verkrijgen. U wordt vriendelijk verzocht deze

handleiding door te lezen en kennis te nemen van de veiligheidswaarschuwingen alvorens het gereedschap te gebruiken. Lees aandachtig alle instructies voor installatie, bediening en onderhoud en bewaar de handleiding voor latere raadpleging. Opmerking: in geval van bijzondere toepassingen kunnen aanvullende veiligheidsmaatregelen noodzakelijk zijn. Neem contact op met uw vertegenwoordiger of BOSTITCH distributeur met eventuele vragen over het gereedschap en het gebruik ervan.

## ⚠ OPMERKING:

Gereedschappen van BOSTITCH zijn ontwikkeld om optimaal aan de eisen van de klant te voldoen en leveren de beste resultaten indien gebruikt met precisie-bevestigingsmaterialen van BOSTITCH die volgens dezelfde normen zijn ontworpen. **BOSTITCH aanvaardt geen aansprakelijkheid voor de prestaties van het product indien ons gereedschap wordt gebruikt met bevestigingsmaterialen of accessoires die niet voldoen aan de specifieke normen van originele nagels, nieten en accessoires van BOSTITCH.**

## GARANTIEBEPERKING

BOSTITCH is overtuigd van de kwaliteit van haar producten en biedt een uitstekende garantie voor professionele gebruikers van het product. Deze garantieverklaring is een aanvulling en doet geenszins afbreuk aan uw contractuele rechten als professioneel gebruiker of uw wettelijke rechten als een particuliere niet-professionele gebruiker. De garantie is geldig binnen het grondgebied van de lidstaten van de Europese Unie en de Europese Vrijhandelsassociatie.

Als uw BOSTITCH-product defect raakt als gevolg van defecte materialen of vakmanschap binnen 12 maanden na de aankoopdatum, garandeert BOSTITCH kosteloze vervanging van alle defecte onderdelen of – naar onze beoordeling – kosteloze vervanging van het apparaat op voorwaarde dat:

- Het product niet verkeerd is gebruikt
- Het product onderhevig was aan normale slijtage; Aandrijfbladen, bumpers en O-ringen worden beschouwd als normale slijtende onderdelen en zijn uitgesloten
- Er niet is geprobeerd reparaties uit te voeren door ongeautoriseerde personen
- Een aankoopbewijs wordt getoond
- Het product volledig wordt geretourneerd met alle originele onderdelen
- Het product op uw kosten samen met het aankoopbewijs naar ons regionale reparatiecentrum of een erkend garantiecentrum wordt gestuurd.

Als u een vordering in wilt dienen, neem dan contact op met uw verkooppunt of raadpleeg uw dichtstbijzijnde BOSTITCH-werkplaats in de BOSTITCH-catalogus of neemt contact op met uw BOSTITCH-kantoor op het adres aangegeven in deze handleiding.

## SPECIALE AANWIJZINGEN

Met dit gereedschap mogen alleen bevestigingsmaterialen worden gebruikt die aan de specificaties in de bedieningsinstructies voldoen (zie Technische gereedschapsgegevens). Om veiligheidsredenen dienen het gereedschap en de voorgeschreven bevestigingsmaterialen als één enkel veiligheidssysteem te worden beschouwd.

Reparaties dienen uitsluitend door bevoegd personeel van BOSTITCH of ander vakpersoneel te worden uitgevoerd, en in navolging van de instructies voor veiligheid, bediening en onderhoud in deze handleiding, de specifieke gebruiksaanwijzing en de Technische gereedschapsgegevens.

**Let op:** Tot vakpersoneel behoren zij die, door opleiding of ervaring, voldoende deskundigheid hebben verworven op het gebied van pneumatische bevestigingsgereedschappen waardoor ze in staat zijn de veilige werking ervan te garanderen.

Steunen of mallen voor het monteren van het gereedschap op bijvoorbeeld een werkbank, moeten door de betreffende fabrikant zodanig zijn ontworpen en gebouwd dat de pneumatische bevestigingsgereedschappen veilig kunnen worden bevestigd voor het gewenste gebruik, zodat o.a. schade, vervorming of verplaatsing wordt voorkomen.

conformidad con las normas CE de los productos.

## VEILIGHEIDSVOORSCHRIFTEN



Het dragen van OOGBESCHERMING die zowel van VOREN als van OPZIJ bescherming biedt tegen rondvliegende deeltjes is verplicht voor de gebruiker van het gereedschap en anderen in de werkomgeving tijdens het laden, bedienen en onderhouden van dit gereedschap.

Oogbescherming is vereist om te voorkomen dat eventueel rondvliegend bevestigingsmateriaal en afval ernstig oogletsel kunnen veroorzaken. De werkgever en/of gebruiker moet ervoor zorgen dat geschikte oogbescherming wordt gedragen.

Er moet oogbescherming conform 89/686/EEG en van een gelijke of hogere klasse dan in EN166 worden gebruikt.

Er moet bij de keuze van persoonlijke beschermingsmiddelen bovendien rekening worden gehouden met alle aspecten van de werkzaamheden van de gebruiker, de omgeving en andere soorten gebruikte apparatuur.



**OPGELET:** in sommige omgevingen kunnen **AANVULLENDE VEILIGHEIDSUITRUSTINGEN** vereist zijn. Zo kan bijvoorbeeld de werkomgeving aan geluidsniveaus blootgesteld zijn die tot gehoorstoornissen kunnen leiden. De werkgever en gebruiker dienen ervoor te zorgen dat elke noodzakelijke gehoorbescherming wordt voorzien en gebruikt door degene die het gereedschap bedient en de anderen in de werkomgeving. In sommige omgevingen is het gebruik van hoofdbescherming vereist. Indien vereist, moeten de werkgever en gebruiker ervoor zorgen dat hoofdbescherming wordt gebruikt.

## SCHADELIJK GELUID

- Onbeschermde blootstelling aan hoge geluidsniveaus kan leiden tot blijvend, invaliderend gehoorverlies en andere problemen zoals tinnitus (rinkelend, zoemend, fluitend of brommend geluid in de oren).
- Een risicobeoordeling en het invoeren van passende maatregelen voor deze gevaren is noodzakelijk.
- Passende maatregelen om het risico te verlagen zijn handelingen zoals dempende materialen om te voorkomen dat werkstukken "rinkelen".
- Gebruik geschikte gehoorbescherming.
- Bedien en onderhoud het gereedschap zoals aanbevolen in deze handleiding, om een onnodige toename van het geluidsniveau te voorkomen.

- Heeft het gereedschap een geluidsdemper, zorg er dan altijd voor dat deze is geplaatst en goed werkt wanneer het gereedschap wordt gebruikt.

## SCHADELIJKE TRILLINGEN

- Informatie voor een risicobeoordeling van deze gevaren en het invoeren van passende maatregelen is noodzakelijk.
- Blootstelling aan trillingen kan invaliderende schade aan de zenuwen en doorbloeding van de handen en armen veroorzaken.

- Draag warme kleding bij het werken in koude omstandigheden, houd uw handen warm en droog.
- Bij last van gevoelloosheid, tintelingen, pijn of bleek worden van de huid op uw vingers of handen, vraag een bedrijfsgeneeskundige of een andere naar behoren gekwalificeerde persoon dan advies over algemene activiteiten.

- Bedien en onderhoud het gereedschap zoals aanbevolen in deze handleiding, om een onnodige toename van het trillingsniveau te voorkomen.

- Houd het gereedschap met een lichte maar veilige grip vast, want risico's ten gevolge van trillingen zijn meestal groter wanneer de grijpkracht hoger is.

### ⚠ VEILIGHEIDSVOORSCHRIFTEN VOOR LUCHTTOEVOER EN AANSLUITINGEN



Gebruik geen zuurstof en brandbare gassen als voedingsbron voor pneumatisch aangedreven gereedschappen.

Gebruik geen gasflessen of een luchttoevoer waarbij de maximumdruk in de leiding de maximale druk kan overschrijden die in de handleiding vermeld staat, aangezien het gereedschap uit elkaar kan springen en daardoor letsel kan veroorzaken. Als de maximum luchttoevoerdruk boven deze waarde kan komen, moet een reduceerklep met een veiligheidsklep stroomafwaarts in de luchttoevoer gemonteerd worden.

- Haal de trekker niet over en druk niet op de veiligheidsvergrendeling tijdens het aansluiten van de luchttoevoer. Het gereedschap kan gaan werken en mogelijk letsel veroorzaken.
- De connector op het gereedschap mag niet onder druk staan wanneer de luchttoevoer wordt afgekoppeld. Bij gebruik van een verkeerde fitting, kan het gereedschap na uitschakeling met lucht geladen blijven en dus in staat zijn om een bevestigingsmiddel aan te drijven ook nadat de luchtleiding is afgekoppeld, en mogelijk letsel veroorzaken.
- Koppel de luchttoevoer altijd af: 1) Alvorens afstellingen uit te voeren; 2) Tijdens onderhoud aan het gereedschap; 3) Bij het verhelpen van een blokkering; 4) Wanneer het gereedschap niet in gebruik is; 5) Tijdens verplaatsing naar een andere werkomgeving, aangezien het gereedschap accidenteel geactiveerd kan worden en mogelijk letsel kan veroorzaken.

### ⚠ VEILIGHEIDSVOORSCHRIFTEN VOOR HET LADEN VAN HET GEREEDSCHAP

Tijdens het laden van het gereedschap: 1) Nooit handen of andere lichaamsdelen in de uitstootzone van het gereedschap plaatsen; 2) Het gereedschap nooit op uzelf of op anderen richten; 3) De trekker niet overhalen of de veiligheidsvergrendeling indrukken aangezien een onvoorzienere werking mogelijk letsel kan veroorzaken.

**Opmerking: Zie de afzonderlijke handleiding voor technische gegevens m.b.t. het gereedschap voor specifieke laadinstructies en afmetingen van aanbevolen bevestigingen.**

### ⚠ VEILIGHEIDSVOORSCHRIFTEN VOOR DE BEDIENING VAN HET GEREEDSCHAP

- Hanteer het gereedschap altijd voorzichtig: 1) Speel nooit met het gereedschap; 2) Haal de trekker nooit over als de neus niet op het werk is gericht; 3) Houd anderen op een veilige afstand van het gereedschap terwijl het is ingeschakeld, aangezien een onvoorzienere werking mogelijk letsel kan veroorzaken.
- De gebruiker moet de trekker bij gereedschap met veiligheidsvergrendeling (soms veiligheidspal genoemd) niet overgehaald houden behalve tijdens bevestigingswerkzaamheden, aangezien ernstig letsel het gevolg kan zijn als de vergrendeling accidenteel met iemand of iets in contact komt en gereedschap hierdoor in werking treedt.
- Houd handen en lichaam uit de buurt van de uitstootzone van het gereedschap. Een gereedschap met veiligheidsvergrendeling kan stuiten door de terugslag van het inschieten van een bevestigingsmiddel, waardoor accidenteel een tweede bevestigingselement kan worden uitgestoten en mogelijk letsel wordt veroorzaakt.
- Controleer de werking van het mechanisme van de veiligheidsvergrendeling regelmatig. Gebruik het gereedschap niet als de arm niet correct werkt aangezien accidenteel uitstoten van een bevestigingsmiddel het gevolg kan zijn. Breng geen wijzigingen aan op het normaal werkende mechanisme van de veiligheidsvergrendeling.
- Breng geen bevestigingsmaterialen aan bovenop andere bevestigingsmaterialen, aangezien dit vervorming van bevestigingsmaterialen en daardoor mogelijk letsel kan veroorzaken.
- Breng geen bevestigingsmaterialen dicht bij de rand van het werkstuk aan, aangezien het hout kan splijten

• **Waarvoor het bevestigingsmiddel kan wegschieten en mogelijk letsel kan veroorzaken.**

• **Leun niet te ver naar voren. Gebruik het gereedschap alleen op een veilige werkplek. Zorg altijd dat u voldoende steun hebt om uw evenwicht te bewaren.**

• **Houd omstanders uit de buurt (bij het werken in een gebied waar waarschijnlijk mensen langskomen).**

• **Baken uw werkgebied duidelijk af.**

• **Gebruik altijd de tweede hendel (indien meegeleverd).**

• **Draag alleen handschoenen die zorgen voor voldoende gevoel en veilige controle van triggers en eventuele afstelapparatuur**

• **Terwijl het gereedschap in werking is, kan afval van het werkstuk en het bevestigings-/collatiesysteem vrijkomen.**

• **Wees voorzichtig met gereedschap dat geen contact maakt met een werkstuk, aangezien dit onbedoeld kan worden afgevuurd en gebruikers en/of omstanders kan verwonden.**

• **Controleer altijd of het gereedschap veilig op het werkstuk is geplaatst en niet kan wegglijden.**

• **Zorg voor voldoende steun en voor een evenwichtige lichaamshouding.**

• **Gebruik een geschikte veiligheidsbril en geschikte handschoenen en beschermende kleding worden aanbevolen.**

## ⚠️ VEILIGHEIDSVORSCHRIFTEN VOOR ONDERHOUD VAN HET GEREEDSCHAP

Houd tijdens werkzaamheden met pneumatische gereedschappen rekening met de waarschuwingen in deze handleiding, in de specifieke gebruiksaanwijzing en op het gereedschap zelf en wees extra voorzichtig bij het onderzoeken van defecte gereedschappen.

## ⚠️ LUCHTTOEVOER EN AANSLUITINGEN

Bij het aansluiten van gereedschap op de luchttoevoer dient de uitstootzone van het gereedschap niet in de richting van de gebruiker en anderen in het werkgebied te wijzen. Plaats de uitstootzone van het gereedschap boven een stuk testmateriaal van voldoende dikte dat het aan te drijven bevestigingsmiddel volkomen bedekt. Met ledematen en lichaam vrij van de uitstootzone kunnen het gereedschap en de luchttoevoer nu aangesloten worden.

Om onvoorziene bediening en mogelijk letsel te voorkomen, de luchttoevoer altijd afkoppelen:

1. Alvorens afstellingen uit te voeren.

2. Tijdens onderhoud van het gereedschap.

3. Bij het verhelpen van een blokkering.

4. Wanneer het gereedschap niet in gebruik is.

5. Tijdens verplaatsing naar een andere werkomgeving, aangezien het gereedschap accidenteel geactiveerd kan worden en mogelijk letsel kan veroorzaken.

• **Compressors moeten de juiste afmetingen hebben om voldoende druk en volume te garanderen voor het voorziene gebruik. Drukval in de luchttoevoer kan de aandrijfkraft van het gereedschap verlagen. Zie de Technische gereedschapsgegevens voor het instellen van de juiste druk voor het gereedschap.**

• **Industrieleidingen dienen op een helling worden uitgezet, met het hoogste punt dichtbij de compressor. Er moeten gemakkelijk toegankelijke waterafscheiders worden geïnstalleerd op de laagste punten – Leeg de waterafscheiders ten minste eenmaal per dag, of vaker indien nodig. Vuil en water in de luchttoevoer zijn de belangrijkste oorzaak van slijtage bij pneumatische gereedschappen. De aansluitingspunten voor het gereedschap moeten voorzien zijn van een filter/regelaar/onderhoudsgroep direct op het aansluitingspunt. Een filter helpt de beste resultaten te verkrijgen en de slijtage tot een minimum te beperken. De filter moet een geschikte doorstroomcapaciteit hebben voor de specifieke installatie. De filter moet schoon worden gehouden om optimale schone perslucht voor het gereedschap te garanderen. Raadpleeg de instructies van de fabrikant voor het juiste onderhoud van uw filter. Een vuile en verstopte filter veroorzaakt een drukval met verminderde prestaties van het gereedschap als gevolg.**

• **De verbindingen van de industrieleidingen naar het gereedschap moeten van bovenaf de luchtleiding worden uitgevoerd.**

• **Luchtsslangen moeten een minimumwerkdruk hebben van 10,6 bar of 150% van de maximale druk die in het luchtsysteem kan worden geleverd. De toevoerslang moet voorzien zijn van een fitting die zorgt voor "snelle afkoppeling" van de uitwendige connector op het gereedschap.**

• **Controleer of de aan het gereedschap geleverde druk niet boven de maximale werkdruk komt, die "ps max." wordt genoemd (zie Technische gereedschapsgegevens). Stel de toevoerdruk aanvankelijk in op de laagste aanbevolen werkdruk (zie Technische gereedschapsgegevens).**

- Controleer of het gereedschap correct werkt door de neus op een stuk afvalhout te richten en de trekker een- of tweemaal over te halen.

## SMERING

- Voor optimale resultaten is een regelmatige maar niet overmatige smering vereist. Olie die via de luchtleiding wordt toegevoegd, smeert de interne onderdelen. Zie de Technische gereedschapsgegevens voor informatie over het juiste smeermiddel. Gebruik geen reinigungsolie of additieven aangezien deze smeermiddelen versnelde slijtage van de dichtingen en aanslagen in het gereedschap veroorzaken, met verminderde prestaties van het gereedschap en een frequenter onderhoud als gevolg.
- Als er geen smeermiddel in de leiding wordt gebruikt, voeg dan een- of tweemaal per dag olie toe in de luchtfitting op het gereedschap. Slechts een paar druppels olie (3-5) per keer is voldoende. Te veel olie verzamelt zich alleen in het gereedschap en zal merkbaar zijn in de afvoercyclus.

- Gebruik bij koud weer. - In het geval van gebruik bij koud weer, rond en onder het vriespunt, kan het vocht in de luchtleiding bevriezen en de werking van het gereedschap verhinderen. Aanbevolen wordt het gebruik van het smeermiddel voor pneumatische gereedschappen BOSTITCH Winter Formula of een permanent antivriesmiddel (ethyleenglycol) als smeermiddel bij koud weer.

**Opgelet:** bewaar het gereedschap niet in een koude omgeving, om bevroering of ijsvorming aan de bedieningskleppen en mechanismen van het gereedschap, waardoor het gereedschap defect kan raken, te voorkomen.

**Opmerking:** Sommige in de handel verkrijgbare drogende vloeistoffen voor luchtleidingen zijn schadelijk voor "O"-ringen en dichtingen - gebruik deze luchtdrogers voor lage temperaturen niet zonder te controleren of ze geschikt zijn.

SK Rozmnožovanie bez povolenia je zakázané. Neoprávnené kópie tohto dokumentu nie sú v súlade s CE pre dané výrobky.

HU A dokumentum engedély nélkül nem sokszorosítható. Az engedély nélkül sokszorosított dokumentum nem jelenti a termék CE-megfelelőségét.

RO Reproducerea neautorizată este interzisă. Copiile neautorizate ale acestui document nu reprezintă conformitatea CE pentru produse.

## △ BEDIENING

**OOGBESCHERMING** dragen die zowel van **VOREN** als van **OPZIJ** bescherming biedt tegen rondvliegende deeltjes is verplicht voor de gebruiker van het gereedschap en anderen in de werkomgeving tijdens het laden, bedienen en onderhouden van dit gereedschap. De oogbescherming is vereist om te voorkomen dat eventueel rondvliegend bevestigingsmateriaal en afval ernstig oogletsel kunnen veroorzaken. De werkgever en/of gebruiker moet ervoor zorgen dat geschikte oogbescherming wordt gedragen.

Oogbescherming moet zowel van voren als van opzij bescherming bieden. **Opmerking:** Brillen zonder zijkappen en gelaatsschermen bieden geen afdoende bescherming.

△ **WAARSCHUWING!** Is het gereedschap gevallen of vermoedt u schade aan het gereedschap, voer dan een werkingscontrole uit zoals beschreven in de paragraaf Werkingscontrole gereedschap.

## TER VOORKOMING VAN LETSEL:

- Plaats nooit handen of andere lichaamsdelen in de uitstootzone van het gereedschap terwijl de luchttoevoer is aangesloten.
- Richt het gereedschap nooit op iemand anders.
- Speel nooit met het gereedschap.
- Haal de trekker nooit over als de neus niet op het werkstuk gericht is.
- Hanteer het gereedschap altijd voorzichtig.
- Haal de trekker niet over en druk niet op de veiligheidsvergrendeling tijdens het laden van het gereedschap.

**BEDIENINGSMETHODEN : BOSTITCH BIEDT ZEVEN bedieningsmethoden:**

Bedieningsmethode	Verwijzing handleiding gereedschap	Veiligheidsvergrenseling
CONTACTWERKING	1	✓
GEDEELTELIJKE SEQUENTIËLE TREKKER	2	✓
VOLLEDIGE SEQUENTIËLE TREKKER	2A	✓
TREKKERBEDIENING	3	✗
CONTINUE CONTACTWERKING	4	✓
CONTINUE TREKKERBEDIENING OF "AUTOMATISCH"	5	✗
INSTELBARE TREKKER	6	✓

### GEREEDSCHAPPEN ZONDER VEILIGHEIDSVERGRENDELING (SOMS VEILIGHEIDSPAL GENOEMD)

- **twee** bedieningsmogelijkheden:

#### TREKKERBEDIENING

(Verwijzing 3 in de Technische gegevenstabel, kolom L(a))

Het model met trekkerbediening werkt alleen door bediening van de trekker. Dit model heeft geen veiligheidsvergrenseling en is alleen bestemd voor toepassingen waar een veiligheidsvergrenseling NIET kan worden gebruikt om aan de toepassingseisen te voldoen. Het gereedschap met trekkerbediening werkt elke keer dat de trekker wordt overgehaald.

#### CONTINUE TREKKERBEDIENING, OF "AUTOMATISCHE BEDIENING"

(Verwijzing 5 in de Technische gegevenstabel, kolom L(a))

Het model met continue trekkerbediening kan cyclisch blijven werken zolang de trekker geactiveerd blijft. Dit model heeft geen veiligheidsvergrenseling en is alleen bestemd voor toepassingen waar een veiligheidsvergrenseling niet kan worden gebruikt om aan de toepassingseisen te voldoen.

### GEREEDSCHAP MET EEN VEILIGHEIDSVERGRENDELING (SOMS VEILIGHEIDSPAL GENOEMD)

- **vijf** bedieningsmogelijkheden:

Alle gereedschappen met veiligheidsvergrenseling zijn gemarkeerd met een omgekeerde gelijkzijdige driehoek (t). Tracht nooit een op deze manier gemarkeerd gereedschap te gebruiken als de veiligheidsvergrenseling ontbreekt of beschadigd is.

De meeste gereedschappen zijn uitgerust met een veiligheidsvergrenseling die standaard in de stand "uitgetrokken" of "omlaag" staat (Verwijzing 1 in de Technische gegevenstabel, kolom L(b)). Sommige gereedschappen zijn uitgerust met de veiligheidsvergrenseling standaard in de stand "ingedrukt" of "omhoog" (Verwijzing 2 in de Technische gegevenstabel, kolom L(b)). Raadpleeg de Technische gereedschapsgegevens voor complete instructies over het gebruik van deze functie.



#### CONTACTWERKING (ZWARTE TREKKER)

(Verwijzing 1 in de Technische gegevenstabel, kolom L(a))

De normale bedieningsprocedure bij gereedschappen met "Contactwerking" is dat de gebruiker de veiligheidsvergrenseling

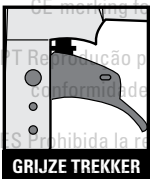
activeert terwijl hij of zij de trekker overgehaald houdt, zodat er bij elk contact met het werkstuk een bevestigingsmateriaal wordt aangebracht. Dit maakt snel bevestigen mogelijk bij vele toepassingen,

zoals het in elkaar zetten van kisten en pallets. Alle pneumatische bevestigingsgereedschappen zijn bij gebruik onderhevig aan terugslag. Het gereedschap kan stuiten, waardoor de veiligheidsvergrenzing loskomt en indien deze accidenteel weer in contact komt met het werkoppervlak terwijl de trekker nog steeds actief is (vinger houdt de trekker nog overgehaald), wordt een ongewenst bevestigingsmateriaal uitgestoten.



**⚠ WAARSCHUWING!** Gereedschappen die met dit symbool zijn gemarkeerd, werken met contactwerking, continue contactwerking of een instelbare trekker.

Deze gereedschappen zijn ontworpen voor gebruik in productietoepassingen zoals pallets, meubilair, mobiele huizen of bekleding. Gebruik dit gereedschap **NIET** met contactwerking voor toepassingen zoals het sluiten van dozen of kisten en de montage van veiligheidssystemen voor transport op trailers en vrachtwagens. Dit gereedschap mag alleen worden gebruikt op veilige werkplekken. Voorzorgsmaatregelen dienen te worden genomen om te voorkomen dat het gereedschap onbedoeld wordt bediend bij het aannemen van een andere werkhouding.



## SEQUENTIËLE TREKKER - 2 TYPES (GRIJZE TREKKER):

**TYPE 1: GEDEELTELIJKE  
SEQUENTIËLE TREKKER  
(Verwijzing 2 in de Technische  
gegevenstabel, kolom L(a))**

Bij de gedeeltelijke sequentiële werking moet de gebruiker het gereedschap tegen het werk houden met de veiligheidsvergrenzing ingedrukt voordat hij of zij de trekker overhaalt. Om meerdere bevestigingsmaterialen uit te stoten, moet de trekker worden losgelaten en opnieuw worden ingedrukt om het gereedschap in werking te stellen. Het gereedschap zal blijven werken zolang de trekker overgehaald blijft en het gereedschap tegen het werk wordt aangehouden.

**TYPE 2: VOLLEDIGE SEQUENTIËLE TREKKER  
(Verwijzing 2A in de Technische gegevenstabel,  
kolom L(a))**

De volledige sequentiële trekker werkt op soortgelijke manier als de gedeeltelijke sequentiële trekker,

behalve dat voor het uitstoten van meerdere bevestigingsmaterialen de trekker moet worden losgelaten, het gereedschap van het werk moet worden afgehaald en opnieuw tegen het werk moet worden aangedrukt voordat er opnieuw wordt uitgestoten.

Beide sequentiële trekkers maken een zorgvuldige plaatsing van het bevestigingsmateriaal gemakkelijker, bijvoorbeeld bij omlijsten, steekspijkieren en het maken van kisten. De sequentiële trekker maakt een exacte bevestiging mogelijk zonder dat een tweede bevestigingsmiddel kan worden geschoten door de terugslag, zoals beschreven bij Contactwerking (hieronder). Het gereedschap met sequentiële werking heeft een veiligheidsvoordeel omdat het niet accidenteel een bevestigingsmateriaal kan uitstoten als het gereedschap met het werkstuk – of iets anders – in contact komt terwijl de gebruiker de trekker overgehaald houdt.

**CONTINUE CONTACTWERKING.**  
(Verwijzing 4 in de Technische gegevenstabel,  
kolom L(a))

Gereedschappen met continue contactwerking kunnen cyclisch blijven werken zolang de trekker en de veiligheidsvergrenzing geactiveerd blijven.

Alvorens dit gereedschap te hanteren of te bedienen: De waarschuwingen in deze handleiding te doorlezen en begrijpen; De Technische gereedschapsgegevens raadplegen om het bedieningssysteem van uw gereedschap te identificeren.



**⚠ WAARSCHUWING!** Gereedschappen die met dit symbool zijn gemarkeerd, werken met contactwerking, continue contactwerking of een instelbare trekker.

Deze gereedschappen zijn ontworpen voor gebruik in productietoepassingen zoals pallets, meubilair, mobiele huizen of bekleding. Gebruik dit gereedschap **NIET** met contactwerking voor toepassingen zoals het sluiten van dozen of kisten en de montage van veiligheidssystemen voor transport op trailers en vrachtwagens. Dit gereedschap mag alleen worden gebruikt op veilige werkplekken. Voorzorgsmaatregelen dienen te worden genomen om te voorkomen dat het gereedschap onbedoeld wordt bediend bij het aannemen van een andere werkhouding.

conformitatea CE pentru produse.



## INSTELBARE TREKKER (Verwijzing 6 in de Technische gegevenstabel, kolom L(a))

Sommige gereedschappen zijn uitgerust met een instelbare trekker die de gebruiker in staat stelt om tussen de sequentiële trekker en contacttrekker te kiezen.

De stand van de modusselektieschakelaar geeft aan welke soort trekker de gebruiker heeft gekozen.

Als de schakelaar naar beneden wijst, naar het pictogram met meerdere nagels, is Contacttrekker gekozen. Als de schakelaar naar boven wijst, naar het pictogram met één nagel, is Sequentiële trekker gekozen. Lees de paragrafen "Contacttrekker" en "Sequentiële Trekker" hierboven goed door voordat u de gewenste modus kiest.

Raadpleeg de Technische gereedschapsgegevens voor complete instructies over het gebruik van deze functie.



**⚠ WAARSCHUWING!** Gereedschappen die met dit symbool zijn gemarkeerd, werken met contactwerking, continue contactwerking of een instelbare trekker.

Deze gereedschappen zijn ontworpen voor gebruik in productietoepassingen zoals pallets, meubilair, mobiele huizen of bekleding. Gebruik dit gereedschap **NIET** met contactwerking voor toepassingen zoals het sluiten van dozen of kisten en de montage van veiligheidssystemen voor transport op trailers en vrachtwagens. Dit gereedschap mag alleen worden gebruikt op veilige werkplekken. Voorzorgsmaatregelen dienen te worden genomen om te voorkomen dat het gereedschap onbedoeld wordt bediend bij het aannemen van een andere werkhouding.

## WERKINGSCONTROLE GEREEDSCHAP

**OPGELET:** Verwijder alle bevestigingsmiddelen van het gereedschap voordat u de werkingscontrole uitvoert.

**⚠ WAARSCHUWING!** Is het gereedschap gevallen of vermoedt u schade aan het gereedschap, voer dan een werkingscontrole uit zoals beschreven in de paragraaf **Werkingscontrole gereedschap**.

HU A dokumentum engedély nélkül nem sokszorosítható. Az engedély nélkül sokszorosított dokumentum nem jelenti a termék CE-megfelelőségét.

### GEREEDSCHAP MET TREKKERBEDIENING:

A) Houd het gereedschap, met de vinger van de trekker, stevig aan de handgreep vast.

B) Plaats de neus van het gereedschap tegen het werkopervlak.

C) Haal de trekker over om een bevestigingsmiddel uit te stoten. Laat de trekker los en de cyclus is voltooid.

**OPGELET:** Het gereedschap werkt elke keer dat de trekker wordt overgehaald!

### GEREEDSCHAP MET CONTINUE TREKKERBEDIENING ("AUTOMATISCH")

A) Houd het gereedschap, met de vinger van de trekker, stevig aan de handgreep vast.

B) Plaats de neus van het gereedschap tegen het werkopervlak.

C) Haal de trekker over en schuif het gereedschap heen en weer of naar achteren/naar voren. Het gereedschap blijft werken tot de trekker wordt losgelaten.

**OPGELET:** Houd het gereedschap stevig tegen het werkopervlak en zorg dat het niet dicht bij de randen van het oppervlak komt tijdens het werk. Een bevestigingselement kan in de lucht worden geschoten en mogelijk letsel veroorzaken.

### CONTACTWERKING

A) Druk, met de vinger van de trekker, de veiligheidsvergrendeling tegen het werkopervlak.  
**HET GEREEDSCHAP MAG NIET WERKEN.**

B) Houd het gereedschap van het werkopervlak af en haal de trekker over, zonder het gereedschap op uzelf of anderen te richten.  
**HET GEREEDSCHAP MAG NIET WERKEN.**

C) Haal de trekker over met het gereedschap van het werkopervlak af. Druk de veiligheidsvergrendeling tegen het werkopervlak  
**HET GEREEDSCHAP MOET WERKEN.**

D) Druk, zonder de trekker aan te raken, de veiligheidsvergrendeling tegen het werkopervlak en haal vervolgens de trekker over.  
**HET GEREEDSCHAP MOET WERKEN.**

### GEDEELTELIJKE SEQUENTIËLE TREKKER BEDIENING

A) Druk de veiligheidsvergrendeling tegen het werkopervlak, zonder de trekker aan te raken.  
**HET GEREEDSCHAP MAG NIET WERKEN.**



- B) Houd het gereedschap van het werkoppervlak af en haal de trekker over, zonder het gereedschap op uzelf of anderen te richten.  
**HET GEREEDSCHAP MAG NIET WERKEN.**
- C) Haal de trekker over met het gereedschap van het werkoppervlak af. Druk de veiligheidsvergrendeling tegen het werkoppervlak.  
**HET GEREEDSCHAP MAG NIET WERKEN.**
- D) Druk, zonder de trekker aan te raken, de veiligheidsvergrendeling tegen het werkoppervlak en haal vervolgens de trekker over.  
**HET GEREEDSCHAP MOET WERKEN.**
- E) Haal de trekker opnieuw over met de veiligheidsvergrendeling nog steeds tegen het werkoppervlak aangedrukt.  
**HET GEREEDSCHAP MOET WERKEN.**
- C) Haal de trekker over met het gereedschap van het werkoppervlak af. Druk de veiligheidsvergrendeling tegen het werkoppervlak en schuif het gereedschap heen en weer of naar achteren/naar voren.  
**HET GEREEDSCHAP MOET WERKEN EN BLIJVEN WERKEN TOT DE TREKKER WORDT LOSGELATEN OF HET GEREEDSCHAP VAN HET WERKOPPERVLAK WORDT GETILD.**
- D) Druk, zonder de trekker aan te raken, de veiligheidsvergrendeling tegen het werkoppervlak en haal vervolgens de trekker over.  
**HET GEREEDSCHAP MOET WERKEN EN BLIJVEN WERKEN TOT DE TREKKER WORDT LOSGELATEN OF HET GEREEDSCHAP VAN HET WERKOPPERVLAK WORDT GETILD.**

## GBREUK VAN HET GEREEDSCHAP

Nadat de hierboven beschreven “Werkingscontrole gereedschap” is uitgevoerd, de neus tegen het werkstuk drukken en de trekker overhalen. Controleer of het bevestigingsmateriaal naar wens is aangebracht.

- Als het bevestigingsmateriaal niet diep genoeg is ingeschoten, verhoog de luchtdruk dan met 0,5 bar (5-6 psi) per keer, en controleer na elke afstelling het resultaat. De maximaal toelaatbare werkdruk mag niet worden overschreden (zie de Technische gereedschapsgegevens)
- Als het bevestigingsmateriaal te diep is ingeschoten, verlaag de luchtdruk dan met 0,5 bar (5-6 psi) per keer, en controleer na elke afstelling het resultaat. Pas geen lagere werkdruk toe dan de minimaal toelaatbare werkdruk (zie de Technische gereedschapsgegevens).

Werk altijd bij de laagst mogelijke luchtdruk. Dit beperkt het geluid en de trillingen en zal de levensduur van de interne componenten zoals de aanslag verlengen.

## HOUD U, IN AANVULLING OP DE ANDERE WAARSCHUWINGEN IN DEZE HANDLEIDING, AAN DE VOLGENDE AANWIJZINGEN VOOR EEN VEILIG GEBRUIK:

- Behandel het pneumatisch bevestigingsgereedschap van BOSTITCH als gereedschap. Het is geen speelgoed. Speel er niet mee.
- Gebruik het pneumatisch gereedschap van BOSTITCH voor het doel waarvoor het is bestemd.
- Gebruik het gereedschap nooit op een manier waardoor bevestigingsmateriaal naar de gebruiker of anderen in de werkomgeving kan worden gericht.

## VLLEDIGE SEQUENTIËLE TREKKERBEDIENING

- A) Druk de veiligheidsvergrendeling tegen het werkoppervlak, zonder de trekker aan te raken.  
**HET GEREEDSCHAP MAG NIET WERKEN.**
- B) Houd het gereedschap van het werkoppervlak af en haal de trekker over, zonder het gereedschap op uzelf of anderen te richten.  
**HET GEREEDSCHAP MAG NIET WERKEN.**
- C) Haal de trekker over met het gereedschap van het werkoppervlak af. Druk de veiligheidsvergrendeling tegen het werkoppervlak.  
**HET GEREEDSCHAP MAG NIET WERKEN.**
- D) Druk, zonder de trekker aan te raken, de veiligheidsvergrendeling tegen het werkoppervlak en haal vervolgens de trekker over.  
**HET GEREEDSCHAP MOET WERKEN.**
- E) Haal de trekker opnieuw over met de veiligheidsvergrendeling nog steeds tegen het werkoppervlak aangedrukt.  
**HET GEREEDSCHAP MAG NIET WERKEN.**

## CONTINUE CONTACTWERKING:

- A) Druk, met de vinger van de trekker, de veiligheidsvergrendeling tegen het werkoppervlak.  
**HET GEREEDSCHAP MAG NIET WERKEN.**
- B) Houd het gereedschap van het werkoppervlak af en haal de trekker over, zonder het gereedschap op uzelf of anderen te richten.  
**HET GEREEDSCHAP MAG NIET WERKEN.**

• Gebruik het gereedschap niet als een hamer.

• Draag het gereedschap altijd aan de handgreep. Draag het gereedschap nooit aan de luchtslang. Draag het gereedschap nooit met de trekker overgehaald.

• Breng geen wijzigingen aan op het oorspronkelijke ontwerp of de werking van dit gereedschap zonder schriftelijke toestemming van BOSTITCH.

• Wees er steeds van bewust dat oneigenlijk gebruik en verkeerd behandelen van dit gereedschap letsel aan uzelf en anderen kan veroorzaken.

• Klem of plak de trekker of veiligheidsvergrendeling nooit vast in geactiveerde stand.

• Laat het gereedschap nooit onbewaakt achter met de luchtslang aangesloten.

• Gebruik dit gereedschap niet als het geen leesbaar WAARSCHUWINGSETIKET bevat.

• Blijf geen gereedschap gebruiken dat lucht lekt of niet goed werkt. Neem contact op met de dichtstbijzijnde vertegenwoordiger van BOSTITCH als uw gereedschap functionele problemen blijft vertonen.

• Houd het gereedschap tijdens de werking zo dat geen letsel kan worden veroorzaakt aan hoofd of lichaam in geval van een sterkere terugslag van het gereedschap als gevolg van een drukval in de luchttoevoer of harde delen in het werkstuk.

• Werk niet dichtbij hoeken of aan de rand van het werkstuk. Het bevestigingsmateriaal kan door het werkstuk heen schieten, en mogelijk letsel veroorzaken.

• Koppel de luchttoevoer af alvorens het gereedschap te verplaatsen.

• Controleer of de veiligheidsvergrendeling (indien aanwezig) en de trekker correct functioneren.

• Demonteer of blokkeer geen enkel deel van het gereedschap, vooral niet de veiligheidsvergrendeling.

• Vermijd verzakking van het gereedschap door ponsen of graven.



• Gebruik geen beschadigde, gerafelde of versleten luchtslangen en fittingen.



• Draag het gereedschap nooit aan de slang.

• Wees voorzichtig als u pneumatische gereedschappen gebruikt, aangezien het gereedschap koud kan worden, wat gevolgen kan hebben voor de grip en controle.

## Gevaren van herhaalde bewegingen

• Wanneer een gereedschap voor lange perioden wordt gebruikt, kan de gebruiker last krijgen van pijn in de handen, armen, schouders, nek of andere delen van het lichaam.

Het volgende geldt:

• Tijdens het gebruik van een gereedschap moet de gebruiker een geschikte maar ook ergonomische houding aannemen. Zorg voor voldoende ondersteuning en vermijd onevenwichtige houdingen.

• Als de gebruiker symptomen zoals een aanhoudend of terugkerend gevoel van ongemak, pijn, kloppende pijn, tintelingen, gevoelloosheid, een branderig gevoel of stijfheid krijgt, mogen deze waarschuwingssignalen niet worden genegeerd. De gebruiker dient een bedrijfsgeneeskundige of andere naar behoren gekwalificeerde persoon om advies te vragen over algemene activiteiten.

## Gevaren op de werkplek

• Uitglijden, struikelen en vallen zijn de meest voorkomende oorzaken van een werkgerelateerd letsel. Kijk uit voor gladde oppervlakken veroorzaakt door het gebruik van het gereedschap, alsook voor struikelgevaar vanwege de luchtslang.

• Ga extra voorzichtig te werk in vreemde omgevingen. Er kunnen verborgen gevaren aanwezig zijn, zoals elektriciteitsleidingen of andere nutsleidingen.

• Dit gereedschap is niet bestemd voor gebruik in explosiegevaarlijke omgevingen en is niet geïsoleerd tegen het in aanraking komen met elektrische stroom.

• Zorg dat er geen elektrische kabels, gasleidingen etc. aanwezig zijn die een risico kunnen vormen als ze door het gebruik van het gereedschap beschadigd raken.

## Restrisico's

De volgende risico's zijn inherent aan het gebruik als deze gereedschappen:

• Letsel veroorzaakt door oneigenlijk gebruik van het gereedschap.

• Verlies van controle door het gereedschap niet stevig genoeg vast te houden.

- Overbelaste arm- en handspieren, vooral bij het werken boven het hoofd. Pauzeer altijd regelmatig wanneer u voor langere tijd aan het werk bent.

Ondanks de toepassing van de relevante veiligheidsvoorschriften en het invoeren van veiligheidsvoorzieningen, kunnen bepaalde risico's niet worden vermeden. Dit zijn:

- Gehoorverlies
- Risico op persoonlijk letsel als gevolg van rondvliegende deeltjes
- Risico op brandwonden door accessoire die heet worden tijdens gebruik.
- Risico op persoonlijk letsel als gevolg van langdurig gebruik.
- Verlies van controle als gevolg van de terugslag.
- Risico op letsel veroorzaakt door knelpunten, scherpe randen en oneigenlijk gebruik van het werkstuk.
- Risico op letsel veroorzaakt door scherpe randen bij het verwisselen nagels of aanbrengen van klefnagels.

## GELUIDSEMISSIE (Zie de Technische gereedschapsgegevens)

De kenmerkende geluidswaarden voor het gereedschap worden bepaald in overeenstemming met EN 12549 - "Akoestiek - Geluidmetingen voor montagegereedschap voor bevestigingsartikelen - Praktijkmethode".

Deze waarden zijn karakteristieke waarden voor het gereedschap en vormen niet de geluidsontwikkeling op de plaats van gebruik. De geluidsontwikkeling op de plaats van gebruik is afhankelijk van bijvoorbeeld de werkomgeving, het werkstuk, de ondersteuning van het werkstuk en het aantal uitgevoerde bevestigingsactiviteiten, etc.

Afhankelijk van de omstandigheden op de werkplek en de vorm van het werkstuk moeten mogelijk individuele geluiddempende maatregelen worden getroffen, zoals het plaatsen van werkstukken op geluidsabsorberende steunen, het voorkomen van trillingen van het werkstuk door middel van vastklemmen of afdekken, afstellen op de voor het werk minimaal vereiste luchtdruk, etc.

## INFORMATIE OVER TRILLINGEN (zie Technische gereedschapsgegevens)

De karakteristieke trillingswaarde voor het gereedschap werd bepaald in overeenstemming met ISO/WD 8662-11 "Meting van trillingen van elektrische handgereedschappen - Deel 11 Pneumatische bevestigingsgereedschappen".

Deze waarde heeft betrekking op het gereedschap zelf en staat niet voor de invloed op het systeem hand-arm tijdens het gebruik van het gereedschap. De invloed op het systeem hand-arm tijdens het gebruik van het gereedschap is afhankelijk van bijvoorbeeld de grijpkracht, de contactkracht, de werkrichting, de afstelling van de persluchttoevoer, het werkstuk, de werkstukondersteuning, etc.

GB Not to be reproduced without permission. Unauthorised copies of this document do not constitute CE compliance for the products.

FR Reproduction interdite sans permission préalable. Les copies non autorisées de ce document ne signifient en rien que les produits soient conformes aux normes CE.

DE Vervielfältigung nicht ohne Genehmigung gestattet. Unzulässige Kopien dieses Dokuments erfüllen nicht die CE-Richtlinien für Produkte.

NL Mag niet worden vernenigvuldigd zonder toestemming. Onrechtmatige kopieën van dit document willen niet zeggen dat de producten voldoen aan de CE-vereisten.

DK Må ikke gengives uden tilladelse. Uautoriserede kopier af dette dokument udgør ikke CE-overholdelse for produkterne.

FI Ei saa julkentää ilman lupaa. Tämän asiakirjan ilman valtuutusta tehty kappale eivät muuta tuotteille CE-vaatimuksia.

GR Απαγορεύεται η αναπαραγωγή χωρίς προηγούμενη άδεια. Τα μη εξουσιοδοτημένα αντίγραφα του παρόντος εγγράφου δεν αποτελούν συμμόρφωση CE για τα προϊόντα.

A) Naar luchtsysteem

B) Hoofdleidingen (3 x toevoergroote pneumatisch gereedschap)

C) Naar pneumatisch gereedschap

D) Noodklep

E) Smeerapparaat

F) Regelaar

G) Aftakleiding (2 x toevoergroote pneumatisch gereedschap)

H) Afvoer

I) Compressor

J) Filter

K) 1/4" NPT fitting met grote doorstroming

L) Luchtslang 3/8" (10 mm) I.D. Min

PT Reprodução proibida sem autorização prévia. As cópias não autorizadas deste documento não estão em gereedschap zelf en wees extra voorzichtig bij het onderzoeken van defecte gereedschappen.

Er moet een luchtfiltereenheid (J) worden geplaatst tussen de luchtcompressor en smeerapparaat om de levering van schone lucht aan het gereedschap te bevorderen. Water en vuil kunnen de pneumatische gereedschappen beschadigen (zie bovenstaand schema).

- Alleen originele onderdelen van BOSTITCH mogen worden gebruikt. Gebruik geen gewijzigde onderdelen of onderdelen die niet dezelfde prestaties kunnen garanderen als de originele uitrusting.

PL Niniejszy dokument nie może być kopiowany bez pozwoleń. Nie należy używać części zamiennych, które nie są oryginalne. Nie należy używać części zamiennych, które nie są oryginalne. Nie należy używać części zamiennych, które nie są oryginalne.

## PROBLEEMOPLOSSING & ONDERHOUD

Reparaties dienen uitsluitend door bevoegd personeel van BOSTITCH of ander vakpersoneel te worden uitgevoerd, en in navolging van de instructies voor veiligheid, bediening en onderhoud in deze handleiding, de specifieke gebruiksaanwijzing en de Technische gereedschapsgegevens.

- Controleer tijdens het repareren van een gereedschap of de interne delen schoon en gesmeerd zijn. Gebruik Parker "O"-Lube of equivalent voor alle "O"-ringen. Bedek elke "O"-ring met "O"-Lube alvorens tot assemblage over te gaan. Gebruik een kleine hoeveelheid olie op alle bewegende oppervlakken en draaipunten. Voeg na de montage enkele druppels BOSTITCH Air Tool Lubricant toe via de luchtleiding voor het testen van het gereedschap.

- Koppel het gereedschap van de luchttoevoer af en leeg het magazijn volledig alvorens met onderhoud of reparatie te beginnen. Neem kennis van de waarschuwingen in deze handleiding, in de Technische gereedschapsgegevens en op het

- Voor nadere instructies met betrekking tot het onderhoud van uw gereedschap wordt verwezen naar de Technische gereedschapsgegevens.
- Kan het probleem met behulp van onderstaande richtlijnen niet worden opgelost, neem dan contact op met de dichtstbijzijnde vertegenwoordiger of BOSTITCH distributeur.

PROBLEEM	ORZAAK	OPLOSSING
G Het gereedschap werkt niet <small>compliance for the products.</small>	Beperkte luchttoevoer Gereedschap droog, onvoldoende smering	Controleer het luchttoevoersysteem Gebruik BOSTITCH Air Tool Lubricant
FR Reproduction interdite sans permission préalable. Les copies non autorisées de ce document ne signifient en rien que les produits soient conformes à la norme CE. <small>rien que les produits soient conformes à la norme CE.</small>	Versleten O-ringen persklep (indien aanwezig) Gebroken veer cilinderdeksel	O-ringen vervangen Veer cilinderdeksel vervangen
DE Vervielfältigung nicht ohne Genehmigung gestattet. Unzulässig erstellte Kopien dieses Dokuments erfüllen nicht die CE-Richtlinien für Produkte. <small>Genehmigung gestattet. Unzulässig erstellte Kopien dieses Dokuments erfüllen nicht die CE-Richtlinien für Produkte.</small>	Persklep (indien aanwezig) geblokkeerd in deksel	Demonteren/Controleren/Smeren
NL Mag niet worden vermenigvuldigd of anderszins openbaar gemaakt. Het kopiëren van dit document without permission is not allowed. Het kopiëren van dit document without permission is not allowed. <small>zamen dat de producten voldoen aan de CE-vereisten.</small>	Luchtdruk te laag	Controleer het luchttoevoersysteem
DK Må ikke gengives uden tilladelse. Uautoriserede kopier af dette dokument udgør ikke CE overholdelse for produkterne. <small>produkterne.</small>	Gereedschap droog, onvoldoende smering	Gebruik BOSTITCH Air Tool Lubricant
FI Ei saa jäljentää ilman lupaa. Tämän asiakirjan ilman valtuutusta tehdyt kopiot eivät myöskään muodosta tuotteille CE-yhdenmukaista. <small>yhdenmukaista.</small>	Gebroken veer cilinderdeksel	Veer cilinderdeksel vervangen
GR Απαγορεύεται η αναπαραγωγή ή προηγούμενη άδεια. Τα μη εξουσιοδοτημένα αντίγραφα του παρόντος εγγράφου δεν αποτελούν συμμόρφωση CE για τα προϊόντα. <small>αντίγραφα του παρόντος εγγράφου δεν αποτελούν συμμόρφωση CE για τα προϊόντα.</small>	O-ringen/pakkingen gescheurd of gebarsten Afvoer geblokkeerd	O-ringen/pakkingen vervangen Controleer aanslag, veer persklep, demper
IT Vietata la riproduzione senza permesso. Le copie non autorizzate di questo documento non garantiscono la conformità CE per i relativi prodotti. <small>conformità CE per i relativi prodotti.</small>	Trekkergroep versleten/lekt	Trekkergroep vervangen
NO Skal ikke reproduseres uten tillatelse. Uautoriserede kopier av dette dokumentet utgjør ikke CE-merking for produktet. <small>CE-merking for produktet.</small>	Cilindermof niet correct geplaatst op onderste aanslag	Demonteren en corrigeren
PT Reprodução proibida sem autorização prévia. As cópias não autorizadas deste documento não estão em conformidade com a CE para os produtos. <small>conformidade com a CE para os produtos.</small>	O-ring gescheurd of gebarsten	O-ring vervangen
ES Prohibida la reproducción sin permiso. Las copias no autorizadas de este documento no suponen la conformidad con las normas CE de los productos. <small>conformidad con las normas CE de los productos.</small>	O-ringen/pakkingen gescheurd of gebarsten	O-ringen/pakkingen vervangen
SE Prohibida la reproducción sin permiso. Las copias no autorizadas de este documento no suponen la conformidad con las normas CE de los productos. <small>conformidad con las normas CE de los productos.</small>	O-ring of pakking is gescheurd of gebarsten	O-ring of pakking vervangen
PT Reprodução proibida sem autorização prévia. As cópias não autorizadas deste documento não estão em conformidade com a CE para os produtos. <small>conformidade com a CE para os produtos.</small>	Aanslag (Bumper) gebarsten/versleten	Aanslag (Bumper) vervangen
PL Niniejszy dokument nie może być kopiowany bez zezwolenia. Nieautoryzowane kopie niniejszego dokumentu nie stanowią deklaracji zgodności z CE przelotowanych produktów. <small>nie stanowią deklaracji zgodności z CE przelotowanych produktów.</small>	Beschadigde pakking of afdichting	Pakking of afdichting vervangen
CZ Niniejszy dokument nie może być kopiowany bez zezwolenia. Nieautoryzowane kopie niniejszego dokumentu nie stanowią deklaracji zgodności z CE przelotowanych produktów. <small>nie stanowią deklaracji zgodności z CE przelotowanych produktów.</small>	Aanslag (Bumper) persklep gebarsten/versleten	Aanslag (Bumper) vervangen
S Overlaanovanie bez povolenia je zakázané. Neoprávnené kópie tohto dokumentu nie sú v súlade s CE pre dané bevestigingselementen; voedingsonderbrekingen <small>bevestigingselementen; voedingsonderbrekingen</small>	Aanslag (Bumper) versleten	Aanslag (Bumper) vervangen
HU A dokumentum engedély nélkül nem sokszorosítható. Az engedély nélkül sokszorosított dokumentum nem jelenti a termék CE-megfelelőségét. <small>jelent a termék CE-megfelelőségét.</small>	Beperkte luchttoevoer/verkeerd lichtdebiet door fitting met snelkoppeling	Fitting met snelkoppeling vervangen
RO Reproducerea neautorizată este interzisă. Copiile neautorizate ale acestui document nu reprezintă conformitatea CE pentru produse. <small>conformitatea CE pentru produse.</small>		

PROBLEEM	ORZAAK	OPLOSSING
GB Not to be reproduced without permission. Reproduction without the express compliance for the products.	<b>O-ring van zuiger versleten</b> (indien aanwezig)	<b>O-ring vervangen, aandrijver controleren</b>
FR Reproduction interdite sans permission préalable. Les copies non autorisées des produits doivent être conformes aux normes CE.	<b>Gereedschap droog, onvoldoende smering</b> <b>Veer meenemer beschadigd</b>	<b>Gebruik BOSTITCH Air Tool Lubricant</b> <b>Veer vervangen</b>
DE Vervielfältigung nicht ohne Genehmigung gestattet. Unzulässig erstellte Kopien dieses Dokuments erfüllen nicht die CE-Richtlinien für Produkte.	<b>Lage luchtdruk</b>	<b>Controleer luchttoevoersysteem naar gereedschap</b>
NL Mag niet worden vermenigvuldigd of anderszins openbaar gemaakt. Het is niet toegestaan te zeggen dat de producten voldoen aan de CE-vereisten.	<b>Schroeven magazijn/neus losgeraakt</b>	<b>Alle schroeven aandrijven</b>
DK Må ikke gengives uden tilladelse. Det er ikke tilladt at sige, at produktet opfylder CE-kravene for produktet.	<b>Bevestigingsmaterialen te kort voor gereedschap</b>	<b>Gebruik alleen aanbevolen bevestigingsmaterialen</b>
FI Ei saa jäljentää ilman lupaa. Tämän asiakirjan ilman valtuutusta tehtyt käännökset eivät täytä tuotteille CE-yhdenmukaisuutta.	<b>Gebogen bevestigingsmaterialen</b>	<b>Deze bevestigingsmaterialen niet meer gebruiken</b>
GR Απαγορεύεται η αναπαραγωγή χωρίς προηγούμενη άδεια. Τα μη εξουσιοδοτημένα αντίγραφα του παρόντος εγχειριδίου δεν συμμορφώνονται με τις απαιτήσεις CE για τα προϊόντα.	<b>Bevestigingsmaterialen van verkeerde afmetingen</b> <b>Lek uit pakking kopdeksel</b>	<b>Schroeven aandrijven / pakking vervangen</b>
IT Vietata la riproduzione senza permesso. Le copie non autorizzate di questo documento non garantiscono la conformità CE per i relativi prodotti.	<b>O-ring klep trekker gescheurd/versleten</b>	<b>O-ring vervangen</b>
NO Skal ikke reproduseres uten tillatelse. Dette dokumentet garanterer ikke at produktet oppfyller ikke kravene for CE-merking for produktet.	<b>Aandrijver gebroken/beschadigd</b>	<b>Aandrijver vervangen (O-ring zuiger controleren)</b>
PT Reprodução proibida sem autorização prévia. As cópias não autorizadas deste documento não estão em conformidade com a CE para os produtos.	<b>Droog/vuil magazijn</b> <b>Versleten magazijn</b>	<b>Reinigen/smeren, gebruik BOSTITCH Air Tool Lubricant</b> <b>Magazijn vervangen</b>
ES No se permite la reproducción sin permiso. Las copias no autorizadas de este documento no suplen la conformidad con las normas CE de los productos.	<b>Verstopping bevestigingsmaterialen in gereedschap</b> <b>Aandrijfkanal versleten</b>	<b>Neusstuk vervangen / deur controleren</b>
SE Prohibida la reproducción sin permiso. Las copias no autorizadas de este documento no cumplen la conformidad con las normas CE de los productos.	<b>Bevestigingsmaterialen van verkeerde afmetingen</b>	<b>Gebruik alleen aanbevolen bevestigingsmaterialen</b>
PL Niniejszy dokument nie może być używany do celów innych niż deklaracja zgodności CE prezentowanych produktów.	<b>Gebogen bevestigingsmaterialen</b> <b>Schroeven magazijn/neus losgeraakt</b>	<b>Deze bevestigingsmaterialen niet meer gebruiken</b> <b>Alle schroeven aandrijven</b>
CZ Niniejszy dokument nie może być używany do celów innych niż deklaracja zgodności CE prezentowanych produktów.	<b>Aandrijver gebroken/beschadigd</b>	<b>Aandrijver vervangen (O-ring zuiger controleren)</b>
SK Rozmnožovanie bez povolenia je zakázané. Neoprávnené kópie tohto dokumentu nie sú v súlade s CE pre dané výrobky.		
HU A dokumentum engedély nélkül nem sokszorosítható. Az engedély nélkül sokszorosított dokumentum nem jelenti a termék CE-megfelelőségét.		
RO Reproducerea neautorizată este interzisă. Copiile neautorizate ale acestui document nu reprezintă conformitatea CE pentru produse.		

## **⚠ BETJENINGSVEJLEDNING OG SIKKERHEDSREGLER**



INDEN VÆRKTØJET TAGES I ANVENDELSE SKAL ALLE OPERATØRER LÆSE DENNE BETJENINGSVEJLEDNING FOR AT KUNNE FORSTÅ OG OVERHOLDE

SIKKERHEDSREGLERNE OG INSTRUKTIONERNE. OPBEVAR DISSE INSTRUKTIONER SAMMEN MED VÆRKTØJET TIL SENERE HENVISNING. HVIS DU HAR SPØRGSMÅL, KAN DU RETTE HENVENDELSE TIL EN REPRÆSENTANT ELLER EN FORHANDLER FOR BOSTITCH.

INDEN VÆRKTØJET TAGES I ANVENDELSE, SKAL MAN LÆSE TABELLEN OVER VÆRKTØJETS SPECIFIKATIONER, KOLONNE L PÅ ARKET MED DE TEKNISKE SPECIFIKATIONER FOR AT IDENTIFICERE VÆRKTØJETS OPERATIVSYSTEM.

**Disse sømpistoler er professionelle maskinværktøjer.**

Du MÅ IKKE lade børn få kontakt med værktøjet. Der kræves opsyn, når uerfarne operatører bruger dette værktøj.

- Små børn og svagelige personer. Dette udstyr er ikke beregnet til brug for børn eller svagelige personer uden opsyn.
- Dette produkt er ikke beregnet til brug for personer (herunder børn), som lider af nedsatte fysiske, mentale samt sanseløse, manglende erfaring, kendskab eller færdigheder, med mindre de er under opsyn af en person, som er ansvarlig for deres sikkerhed. Børn må aldrig efterlades alene med dette produkt.
- Kun teknisk uddannede operatører bør bruge sømpistolen.
- Du må ikke modificere sømpistolen. Modifikationer vil eventuelt sænke virkningen af sikkerhedsforanstaltningerne og derved øge risikoen for operatøren og/eller tilskuere.

BOSTITCH-værktøjer er præcisionsbyggede og designet til hurtig fastgørelse af store volumener. De yder effektive og pålidelige præstationer, når de bruges i overensstemmelse med instruktionerne, og behandles med varsomhed. Som med ethvert andet præcisionsværktøj skal fabrikantens instruktioner følges for at opnå optimale resultater. Læs denne vejledning og sæt dig ind i sikkerhedsadvarslerne og forsigtighedsreglerne, inden værktøjet anvendes. Oplysningerne om installation, betjening og vedligeholdelse skal læses omhyggeligt, og instruktionsbøgerne skal

opbevares til senere henvisning. Bemærk: Yderligere sikkerhedstiltag kan være nødvendige afhængigt af din specifikke anvendelse af værktøjet. Kontakt din BOSTITCH-repræsentant eller -forhandler, hvis du har spørgsmål angående værktøjet og brugen af det.

### **⚠ BEMÆRK:**

BOSTITCH-værktøjer er designet til at tilfredsstille kundernes krav og opnå optimal præstation, når de anvendes med BOSTITCH-præcisionsøm, som er udviklet til de samme standarder.

**BOSTITCH kan ikke påtage sig noget ansvar for produktets præstationer, hvis vores værktøjer anvendes med søm/klammer eller tilbehør, der ikke lever op til de specifikke krav, som er fastlagt for originale BOSTITCH søm, hæfteklammer og tilbehør.**

### **BEGRÆNSET GARANTI**

BOSTITCH er sikre på kvaliteten af deres produkter og tilbyder en garanti til professionelle brugere af produktet. Denne garantierklæring er i tillæg til og berører på ingen måde dine kontraktmæssige rettigheder som professionel bruger eller dine lovbestemte rettigheder som privat, ikke-professionel bruger. Garantien gælder inden for områderne i medlemsstaterne i Den Europæiske Union og for Det Europæiske Frihandelsområde.

Hvis dit BOSTITCH produkt bliver defekt pga. fejlagtige materialer eller forføjlet håndværk, inden for 12 måneder fra købsdatoen, garanterer BOSTITCH at erstatte alle defekte dele gratis eller – efter vores skøn – erstatte enheden gratis, forudsat at:

- **Produktet ikke er blevet misbrugt**
- **Produktet er kun blevet udsat for rimelig slitage; medbringerblade, stødfangere og O-ringe betragtes som normale sliddele og er undtaget dette**
- **Uautoriserede personer har ikke forsøgt at reparere det**
- **Købsbevis fremvises**
- **Produktet returneres komplet med alle originale komponenter**
- **Produktet returneres for din regning sammen med købsbevis til vores regionale reparationscenter eller et autoriseret garanticenter.**

Hvis du ønsker en skadesanmeldelse, skal du kontakte din forhandler eller finde din nærmeste autoriserede BOSTITCH reparatør i BOSTITCH kataloget eller kontakte dit BOSTITCH kontor på den adresse, som står i denne manual.

### **SPECIELLE HENVISNINGER**

Kun de søm/klammer, der opfylder specifikationerne i betjeningsvejledningen (se Værktøjets Tekniske

Specifikationer) bør anvendes i dette værktøj. Værktøjet og de specificerede søm skal af sikkerhedsmæssige årsager anses for at være ét enkelt sikkerhedssystem.

Du bør altid tjekke værktøjet før brug for splintrede, dårligt tilsluttede eller slidte dele.

Reparationer må kun udføres af BOSTITCHS autoriserede forhandlere, eller af andre eksperter, under overholdelse af sikkerheds-, betjenings- og vedligeholdelsesinstruktionerne indeholdt i denne vejledning eller i Værktøjets Tekniske Specifikationer.

**Bemærk:** Ved eksperter forstås de personer, der som følge af professionel oplæring eller erfaring har tilegnet sig tilstrækkelig indsigt i området for sømpistoler, således at han/hun kan opretholde sikre forhold under brugen.

Støtter eller skruestykker til montering af værktøjet på et underlag, for eksempel et arbejdsbord, skal designes og bygges på en sådan måde, at sømpistoler kan fastgøres sikkert til det beregnede formål og således undgå for eksempel skader, forvriddning eller forskydning.

## SIKKERHEDSINSTRUKTIONER



**ØJENBESKYTTELSE**, der er i overensstemmelse med ANSI-specifikationerne og yder beskyttelse mod flyvende partikler både fra FORSIDEN og SIDEN, bør altid bæres af værktøjets operatør og af andre i arbejdsområdet, når dette værktøj påfyldes, betjenes eller vedligeholdes. Øjenbeskyttelse kræves til beskyttelse mod flyvende søm og småstykker, som vil kunne forårsage alvorlige øjenskader. Arbejdsgiveren og/eller brugeren skal sørge for, at man går med passende øjenbeskyttelse.

Øjenbeskyttelse i overensstemmelse med 89/686/EEC, og med en tilsvarende eller højere klasse end defineret i EN166, bør bruges. Men alle aspekter af operatørens arbejde, miljø og anden/andre type(r) af anvendt maskinel bør også tages med i betragtning, når man vælger personligt beskyttelsesudstyr.



**FORSIGTIG: YDERLIGERE SIKKERHEDSTILTAG** kan være påkrævet under visse forhold. For eksempel kan arbejdsområdet betyde udsættelse for

støjniveauer, der kan medføre høreskader. Arbejdsgiveren og brugeren skal sørge for, at de nødvendige høreværn er til rådighed og anvendes af operatøren og andre på arbejdsområdet. Visse arbejdsmiljøer vil kræve brug af udstyr, som beskytter hovedet. Hvor der er behov for det, skal arbejdsgiveren og brugeren sikre, at man går med hovedbeskyttelse.

## STØJFARER

- Ubeskyttet udsættelse for høje støjniveauer kan medføre permanent og invaliderende tab af hørelsen og andre problemer som f.eks. tinnitus (ringen, susen, piben eller summen i ørerne).
- Risikovurderinger og implementering af passende kontroller af disse farer er afgørende.
- Passende kontroller til at sænke risikoen kan eventuelt omfatte handlinger som afdæmpningsmaterialer, der skal forhindre arbejdsemner i at "ringe".
- Brug passende høreværn.
- Betjen og vedligehold værktøjet som anbefalet i disse instrukser, for at forhindre en unødigt stigning i støjniveauerne.
- Hvis værktøjet kommer med en støjdæmper, skal man altid sikre, at den er på plads og velfungerende, når værktøjet betjenes.

## VIBRATIONSFARER

- Information til at foretage en risikovurdering af disse farer og implementering af passende kontroller er afgørende.
- Udsættelse for vibrationer kan medføre invaliderende skade på nerverne og blodtilførslen i hænder og arme.
- Gå altid med varmt tøj, når du arbejder under kolde arbejdsforhold, og hold dine hænder varme og tørre.
- Hvis du oplever følelsesløshed, snurren, smerter, eller at dine fingre eller hænder bliver hvide, så bed om råd hos en kvalificeret bedriftslæge om de overordnede aktiviteter.
- Betjen og vedligehold værktøjet som anbefalet i disse instruktioner, for at forhindre en unødvendig stigning i vibrationsniveauerne.
- Hold på værktøjet med et let men sikkert greb, da risikoen fra vibration generelt er højere, når grebet er kraftigere.



## **⚠ SIKKERHEDSINSTRUKTIONER FOR LUFFORSYNINGEN OG FORBINDELSER**



Anvend aldrig ilt og brændbare gasser som energikilde til tryklufdsdrevne værktøjer.

Anvend aldrig gas i flasker eller en lufforsyning, hvor maksimumstrykket på linjen eventuelt kan overskride det maksimale tryk anført i den specifikke værktøjsvejledning, fordi værktøjet kan sprænge og muligvis føre til personskade. Hvis lufforsyningens maksimumstryk kan overskride disse trykværdier, vil der være behov for at indbygge en trykreduktionsventil, samt en bagvedliggende sikkerhedsventil i lufforsyningen.

- Tryk ikke på aftrækkeren, og læg heller ikke pres på sikkerhedsgafflen, mens der forbindes til lufforsyningen. Værktøjet vil eventuelt kunne starte og forårsage personskader.
- Forbinderen på værktøjet må ikke være under tryk, når lufforsyningen afbrydes. Hvis et forkert beslag anvendes, vil værktøjet stadig være ladet med luft efter afbrydelsen og vil så være i stand til at slå et søm i, selv efter luftlinjen er blevet afbrudt, og derved forårsage personskader.
- Afbryd altid lufforsyningen: 1) Inden der udføres justeringer; 2) Når værktøjet vedligeholdes; 3) Når en tilstopning fjernes; 4) Når værktøjet ikke er i brug; 5) Når værktøjet flyttes til et andet arbejdsområde, eftersom utilsigtet start kan forekomme muligvis med fare for personskader.

## **⚠ SIKKERHEDSINSTRUKTIONER VED PÅFYLDNING AF VÆRKTØJET**

Når værktøjet lades, må man: 1) Aldrig placere en hånd eller en anden kropsdel i værktøjets sømudstødningsområde; 2) Aldrig rette værktøjet mod sig selv eller mod andre; 3) Aldrig trykke på aftrækkeren eller lægge pres på sikkerhedsgafflen, da der kan ske en utilsigtet aktivering, som eventuelt kan forårsage personskader.

**Bemærk: Se de separate tekniske specifikationer til værktøjet for særlige laddningsvejledninger og dimensionerne på de anbefalede befæstelselementer.**

## **⚠ SIKKERHEDSINSTRUKTIONER TIL BETJENING AF VÆRKTØJET**

- Håndtér altid værktøjet med forsigtighed: 1) Lav aldrig sjøv med værktøjet i hånden; 2) Tryk aldrig på aftrækkeren, hvis næsen ikke er vendt direkte mod arbejdsområdet; 3) Hold andre personer på sikker

afstand fra værktøjet, mens værktøjet arbejder, eftersom utilsigtet aktivering kan finde sted med deraf følgende risiko for personskader.

- Operatøren må ikke holde aftrækkeren trykket ned på værktøjer med sikkerhedsgaffel (nogle gange kaldet sikkerhedskontakt) undtagen under fastgøringsfunktioner, eftersom der kan opstå alvorlige personskader, hvis sikkerhedsgafflen ved et uheld kommer i berøring med en person eller en ting og således bevirker, at værktøjet starter.
- Hold hænder og lemme væk fra værktøjets udstødningsområde. Et værktøj udstyret med sikkerhedsgaffel kan hoppe bagud pga. tilbageslag, når der slås søm i, og et ekstra uønsket søm kan blive udstødt og eventuelt forårsage personskader.
- Kontrollér regelmæssigt, at sikkerhedsgafflens mekanisme fungerer korrekt. Brug ikke værktøjet, hvis armen ikke fungerer korrekt, idet et søm kan blive udstødt utilsigtet. Foretag aldrig ændringer i den korrekte funktion af sikkerhedsgafflens mekanisme.
- Slå ikke søm i oven i andre nitter, eftersom dette kan medføre forskydning med deraf følgende risiko for personskader.
- Slå ikke søm i tæt ved arbejdsområdets kanter, eftersom træet kan revne med deraf følgende forskydning af søm og mulighed for personskader.
- Ræk ikke for langt. Må kun bruges på et forsvarligt arbejdsområde. Behold et godt fodfæste og god balance til enhver tid.
- Hold tilskuere på afstand (når du arbejder på et område, hvor det er sandsynligt, at folk vil gå gennem det). Afmærk dit betjeningsområde tydeligt.
- Brug altid det andet håndtag (hvis det medfølger).
- Gå kun med handsker, som giver en tilstrækkelig fornemmelse og sikker kontrol med aftrækkere og alle justeringsanordninger.
- Under betjeningen kan rester fra arbejdsområdet og søm-/kollateringsystemet eventuelt blive udstødt.
- Vær forsigtig med værktøjer uden kontakt med arbejdsområdet, da de utilsigtet kan aktiveres og forårsage personskade til operatøren og/eller tilskuere.
- Sørg for, at værktøjet altid er forsvarligt holdt mod arbejdsområdet, så det ikke kan glide.
- Bibehold en afbalanceret kropsstilling og sikkert fodfæste.
- Passende sikkerhedsbriller skal bruges, og passende handsker og beskyttende beklædning anbefales.

## ⚠️ SIKKERHEDSINSTRUKTIONER TIL VEDLIGEHOLDELSE AF VÆRKTØJET

Når man arbejder med trykluftsværktøjet, skal man notere advarselene indeholdt denne vejledning, i de specifikke værktøjsspecifikationer og på selve værktøjet, samt være meget omhyggelig ved undersøgelse af værktøjet, der giver problemer.

### ⚠️ LUFTFORSYNING OG FORBINDELSER

Ved tilslutning af værktøj til lufttilførslen skal værktøjets sømudstødningspunkt pege væk fra operatøren og andre personer inden for det pågældende arbejdsareal. Anbring værktøjets udstødningspunkt over et prævestykke med et materiale af tilstrækkelig tykkelse, som fuldt ud vil kunne klare dimensionerne af det søm, som skal slås i. Hold dine lemmer og krop væk fra udstødningspunktet. Du kan nu tilslutte luftforsyningen til værktøjet.

For at forhindre utilsigtet aktivering skal man altid afbryde luftforsyningen:

1. Inden der foretages justeringer.
2. Ved vedligeholdelse af værktøjet.
3. Når en tilstopning fjernes.

4. Når værktøjet ikke er i anvendelse.

5. Når værktøjet flyttes til et andet arbejdsområde, eftersom utilsigtet aktivering kan forekomme, med deraf følgende fare for personskader.

• Kompressorer skal være passende dimensioneret for at kunne sikre tilstrækkeligt tryk og volumetrisk strøm til den beregnede brug. Trykfald i luftforsyningen kan sænke værktøjets fastspændingskraft. Se Værktøjets Tekniske Specifikationer for oplysninger om, hvorledes det korrekte tryk til værktøjet indstilles.

• Industrielle luftlinjer bør lægges nedadgående med et højeste punkt tættest ved kompressoren. Lettilgængelige vandudskillere skal installeres på de laveste punkter. Disse vandudskillere skal tømmes mindst én gang om dagen, eller oftere om nødvendigt. Snavs og vand i luftforsyningen er de mest hyppige årsager til slid på trykluftsværktøjet. Forbindelsespunkter på værktøjet skal udstyres med et filter-/regulator-/serviceenhed direkte ved forbindelsespunktet. Et filter vil hjælpe med at opnå optimal præstation og nedsætte slid mest muligt. Filteret skal have tilstrækkelig strømningskapacitet for den specifikke installation. Filteret skal holdes rent for at bevare virkningen med tilførsel af ren luft under tryk til værktøjet. Henvis til producentens instrukser til den korrekte vedligeholdelse af dit filter. Et snavset og tilstoppet filter vil medføre trykfald, som vil reducere værktøjets præstationsevne.

• Tilslutninger af industrielle linjer til værktøjet skal udføres fra øverste del af luftlinjen.

• Luftslangere skal mindst have et 10,6 bar driftstryk eller 150% af det maksimumstryk, der kan leveres i luftsystemet. Forsyningslangen skal være udstyret med et beslag, der giver "hurtigudkobling" fra hanstikket på værktøjet.

• Sørg for, at det tryk, der leveres til værktøjet, ikke overskrider det maksimale tilladte driftstryk, kaldet «ps max.» (se Værktøjets Tekniske Specifikationer). Indstil forsyningsstrykket i begyndelsen til det lavest anbefalede arbejdsstryk (se Værktøjets Tekniske Specifikationer).

• Kontrollér, at værktøjet fungerer korrekt ved at sætte næsen mod et stykke spildtræ og trykke på aftrækkeren én eller to gange.

### SMØRING

• Hyppig, men ikke for megen smøring kræves for at opnå optimal præstation. Olie tilføjet gennem luftlinjeforbindelsen vil smøre de indvendige dele. Se Værktøjets Tekniske Specifikationer for oplysninger om det korrekte smøremiddel. Brug aldrig renseolie eller tilsætningsstoffer, eftersom disse smøremidler medfører tidligere slid på pakninger i værktøjet med deraf følgende dårlig præstation og hyppig vedligeholdelse af værktøjet.

• Hvis der ikke anvendes luftlinjesmøring, skal man påfylde olie i luftbeslaget på værktøjet to gange om dagen. Det er kun nødvendigt med nogle få dråber olie (3-5) ad gangen. For megen olie vil blot samle sig i værktøjet og være synligt i udstødningskuffen.

• Arbejde i koldt vejr. – Ved arbejde i koldt vejr, tæt ved og under frysepunktet, kan fugtigheden i luftlinjen eventuelt fryse til og hindre værktøjetsbetjening. Vi anbefaler brug af BOSTITCH Winter Formula smøremiddel til luftdrevne værktøjer eller permanent frostvæske (ætylenglykol) som smøremiddel i koldt vejr.

**Forsigtig** - For at forhindre tilfrysning eller isdannelse på værktøjets arbejdsventiler og mekanismer, der vil kunne forårsage fejlfunktion i værktøjet, må det ikke opmagasineres i kolde omgivelser.

**Bemærk** - Nogle luftlinje-tørrevæsker til erhvervsbrug er skadelige for «O»-ringe og pakninger – anvend aldrig disse lufttørremidler til lave temperaturer uden at kontrollere, at de er kompatible.

## **BETJENING 2019**

**ØJENBESKYTTELSE**, der er i overensstemmelse med ANSI-specifikationerne og yder beskyttelse mod flyvende partikler både fra **FORSIDEN** og **SIDEN**, bør altid bæres af værktøjets operatør og af andre i arbejdsområdet, når dette værktøj påfyldes, betjenes eller vedligeholdes. Øjenbeskyttelse kræves til beskyttelse mod flyvende søm og småstykker, som vil kunne forårsage alvorlige øjenskader. Arbejdsgiveren og/eller brugeren skal sørge for, at man går med passende øjenbeskyttelse.

Udstyr til øjenbeskyttelse skal give både beskyttelse fra forsiden og siden. **Bemærk:** Brillen uden sideværn og simpelt ansigtssvævn giver ikke tilstrækkelig beskyttelse.

**⚠ ADVARSEL!** Hvis man har tabt værktøjet, eller hvis du har mistanke om, at værktøjet er blevet beskadiget, yhdenmukaisuutta.

så foretag en kontrol med værktøjspræstationen som defineret i afsnittet til tjek af værktøjspræstationen.

### **FOR AT FORHINDRE PERSONSKADER VED UHELD:**

- Anbring aldrig en hånd eller en anden legemsdel i værktøjets udstødningsområde, når trykluffen er tilsluttet.
- Ret aldrig værktøjet mod andre.
- Lav aldrig sjov med værktøjet i hånden.
- Tryk aldrig på aftrækkeren, hvis næsen ikke er vendt direkte mod arbejdsemnet.
- Håndtér altid værktøjet med forsigtighed.
- Tryk aldrig på aftrækkeren, og læg heller ikke pres på sikkerhedsgafflen, når værktøjet påfyldes.

## **DRIFTSTYPER : BOSTITCH tilbyder SYV driftstyper:**

<b>Driftstype</b>	<b>Værktøjsmanual</b>	<b>Sikkerhedsgaffel / Sikkerhedsudløser</b>
KONTAKTAKTIVERINGSMÅDE	1	✓
DELVIST SEKVENTIEL AKTIVERINGSMÅDE	2	✓
FULD T SEKVENTIEL AKTIVERINGSMÅDE	2A	✓
AFTRÆKKERBETJENT	3	✗
UAFBRUDT KONTAKTAKTIVERINGSFUNKTION.	4	✓
VÆRKTØJ MED UAFBRUDT FUNKTION ("AUTOMATISK FUNKTION")	5	✗
VALGBAR AKTIVERINGSMÅDE	6	✓

### **VÆRKTØJER UDEN SIKKERHEDSGAFFEL (NOGLE GANGE KALDET SIKKERHEDSKONTAKT)**

– der er **to** mulige arbejdstyper:

#### **AFTRÆKKERBETJENING (Reference 3 i tabellen med tekniske data, kolonne L(a))**

Den aftrækkerbetjente model starter udelukkende ved betjening af aftrækkeren. Denne model er ikke udstyret med sikkerhedsgaffel og er beregnet til brug, hvor en sikkerhedsgaffel IKKE KAN anvendes, for at opfylde kravene til applikationen. Det aftrækkerbetjente værktøj vil starte, hver gang aftrækkeren aktiveres.

### **UAFBRUDT AFTRÆKKERBETJENT ELLER "AUTOMATISK FUNKTION"**

(Reference 5 i Oversigten over de Tekniske Specifikationer, kolonne L(a)).

Den uafbrudte aftrækkerbetjente model tillader gentagelse af cyklusserne så længe aftrækkeren holdes aktiveret. Denne model er ikke udstyret med sikkerhedsgaffel og er beregnet til brug, hvor en sikkerhedsgaffel IKKE KAN anvendes, for at opfylde kravene til applikationen.

### **VÆRKTØJ MED EN SIKKERHEDSGAFFEL (NOGLE GANGE KALDET SIKKERHEDSKONTAKT)**

– **fem** driftstyper er mulige:

Alle værktøjer med en sikkerhedskontakt er markeret med en omvendt ligesidet trekant (t). Forsøg ikke at

bruge et værktøj, som er mærket på denne måde, hvis sikkerhedskontakten mangler eller forekommer beskadiget.

De fleste værktøjer er udstyret med en sikkerhedsgaffel, som normalt er i "udstrakt" eller "nede" position (Reference 1 i tabellen for tekniske data, kolonne L(b)). Nogle værktøjer er udstyret med en sikkerhedsgaffel, som normalt er i en "presset" eller "oppe" position (Reference 2 i tabellen for tekniske data, kolonne L(b)). For nærmere oplysninger om denne funktion henvises der til Værktøjets Tekniske Data.



## SEKVENTIEL KONTAKT - 2 TYPER (GRÅ AFTRÆKKER)

### TYPE 1: DELVIST SEKVENTIEL AKTIVERINGSMÅDE (Reference 2 i Teknisk Datatabel, kolonne L(a))

Den delvist sekventielle aktiveringsmåde kræver, at operatøren holder værktøjet mod arbejdsoverfladen med sikkerhedsgaffelen trykket ned, før der trykkes på aftrækkeren. For at kunne slå flere søm i skal man give slip på aftrækkeren og trykke på den igen, for at værktøjet fungerer. Værktøjet vil fortsat fungere, hver gang der trykkes på aftrækkeren, mens værktøjet stadig holdes mod arbejdsoverfladen.

### TYPE 2: FULDT SEKVENTIEL AKTIVERINGSMÅDE (Reference 2A i Teknisk Datatabel, kolonne L(a))

Den fuldt sekventielle aktiveringsmåde fungerer på en lignende måde til den delvist sekventielle aktiveringsmåde, bortset fra, at man for at kunne slå yderligere søm i skal give slip på aftrækkeren, og værktøjet skal løftes væk fra arbejdet og igen presses mod arbejdsoverfladen før gentagelse.

Begge slags sekventielle aktiveringsmåder gør præcis fastgørelse nemmere, for eksempel ved opbygning, skrå sømbringelse samt pakkasseapplikationer. Den sekventielle aktiveringsmåde tillader præcis fastgørelse uden mulighed for at slå et andet søm i ved bagslag, som beskrevet under Berøringskontakt (nedenfor). Det sekventielle kontaktværktøj har en sikkerhedsfordel, fordi det ikke ved et uheld vil slå et søm i, hvis værktøjet kommer i kontakt med arbejdsmaterialet eller noget andet mens operatøren holder aftrækkeren trykket ned.



### KONTAKTAKTIVERINGSMÅDE (SORT AFTRÆKKER) (Reference 1 i Oversigten over de Tekniske Specifikationer, kolonne L(a))

Den almindelige betjeningsprocedure for værktøjer med "Kontaktaktiveringsmåde" er, at operatøren aktiverer sikkerhedskontakten, mens der fortsat trykkes på aftrækkeren, og et søm slås i, hver gang der opstår berøring med arbejdsområdet. Dette vil sikre hurtig søm placering i mange arbejdsituationer, såsom samling af pakkasser og paller. Alle trykluftsværktøjer har tilbøjelighed til tilbageslag, når man slår søm i. Værktøjet vil måske springe tilbage, hvorved sikkerhedsgaffelen udløses, og hvis det utilsigtet får kontakt med arbejdsoverfladen igen, mens man stadig trykker på aftrækkeren (fingrene holder stadig aftrækkeren trykket ned), vil et ekstra uønsket søm blive slået i.



**⚠ ADVARSEL!** Værktøjet er mærket med dette symbol for enten kontaktaktivering, fortsat kontaktaktivering eller valgbar aktivering.

Disse værktøjer er designet til brug i produktionsanvendelser som f.eks. paller, møbler, præfabrikerede boliger eller møbelpolstring. **Du MÅ IKKE** bruge dette værktøj i kontaktaktivering til applikationer som at lukke kasser eller pakkasser samt til at anbringe transportsikkerhedssystemer på anhængere og lastvogne. Dette værktøj må kun bruges på sikre arbejdsarealer. Man skal være forsigtig for at forhindre utilsigtet aktivering, når man skifter fra en arbejdsstilling til en anden.

### UAFBRUDT KONTAKTAKTIVERINGSFUNKTION. (Reference 4 i Oversigten over de Tekniske Specifikationer, kolonne L(a))

Værktøjet med uafbrudt berøring gør det muligt at gentage cyklusserne i så lang tid, som aftrækkeren og berøringskontakten er aktiveret.

Før håndtering og betjening af dette værktøj skal man læse og forstå de advarsler, der er indeholdt i denne manual. Se Værktøjets Tekniske Specifikation for at identificere dit værktøjs betjeningsystem.



**⚠ ADVARSEL!** Værktøjer mærket med dette symbol har enten kontaktaktivering, fortsat kontaktaktivering eller valgbar aktivering.

Disse værktøjer er designet til brug i produktionsanvendelser som f.eks. paller, møbler, præfabrikerede boliger eller møbelpolstring. **Du MÅ IKKE** bruge dette værktøj i kontaktaktivering til applikationer som at lukke kasser eller pakkasser samt til at anbringe transportsikkerhedssystemer på anhængere og lastvogne. Dette værktøj må kun bruges på sikre arbejdsarealer. Man skal være forsigtig for at forhindre utilsigtet aktivering, når man skifter fra en arbejdsstilling til en anden.



### VARIABEL AKTIVERINGSMÅDE (Reference 6 i tabellen med tekniske data, kolonne L(a))

Nogle værktøjer er udstyret med en variabel udløser, der gør det muligt for brugeren at skifte mellem sekvensaktiveringsmåde og kontaktaktiveringsmåde.

Den valgte måde angives af omskifterens position. Når omskifteren peger på ikonet med flere søm, er værktøjet indstillet til kontaktaktiveringsmåde. Når omskifteren peger på ikonet med et enkelt søm, er værktøjet indstillet til sekvensaktiveringsmåde. Sørg for at læse og forstå afsnittene Kontaktaktiveringsmåde og Sekvensaktiveringsmåde, før du vælger den påkrævede indstilling.

For nærmere oplysninger henvises der til afsnittet Værktøjets Tekniske Data til dit værktøj.



**⚠ ADVARSEL!** Værktøjer mærket med dette symbol har enten kontaktaktivering, fortsat kontaktaktivering eller valgbar aktivering.

Disse værktøjer er designet til brug i produktionsanvendelser som f.eks. paller, møbler, præfabrikerede boliger eller møbelpolstring. **Du MÅ IKKE** bruge dette værktøj i kontaktaktivering til applikationer som at lukke kasser eller pakkasser samt til at anbringe transportsikkerhedssystemer på anhængere og lastvogne. Dette værktøj må kun bruges på sikre arbejdsarealer. Man skal være forsigtig for at forhindre utilsigtet aktivering, når man skifter fra en arbejdsstilling til en anden.

## KONTROL AF VÆRKTØJETS FUNKTIONSDYGTIGHED

**FORSIGTIG:** Fjern alle søm fra værktøjet, inden der udføres kontrol af værktøjets funktionsdygtighed.

**⚠ ADVARSEL!** Hvis man har tabt værktøjet, eller du har mistanke om, at værktøjet er beskadiget, så foretag et tjek af værktøjsbetjeningen som defineret i afsnittet om værktøjstjek.

### AFTRÆKKERBETJENT VÆRKTØJ:

- Hold værktøjet med et fast greb om håndtaget med fingeren væk fra aftrækkeren.
  - Placér værktøjets næse mod arbejdsemnets overflade.
  - Tryk på aftrækkeren for at slå et søm i. Frigiv aftrækkeren, og cyklussen vil være tilendebragt.
- FORSIGTIG:** Værktøjet vil blive aktiveret hver gang, der trykkes på aftrækkeren!

### VÆRKTØJ MED UAFBRUDT FUNKTION ("AUTOMATISK")

- Hold værktøjet med et fast greb om håndtaget med fingeren væk fra aftrækkeren.
- Placér værktøjets næse mod arbejdsemnets overflade.
- Tryk på aftrækkeren, og lad værktøjet glide enten fra side til side eller fremad/tilbage. Værktøjet vil fortsætte med at være aktiveret, indtil man giver slip på aftrækkeren.

**FORSIGTIG:** Sørg for, at værktøjet holdes fast mod arbejdsemnets overflade og ikke kommer nær arbejdsemnets kanter under arbejdet. Et søm vil kunne blive stødt ud i den fri luft og eventuelt medføre personskade.

### KONTAKTAKTIVERINGSFUNKTION

- Tryk sikkerhedsgaflen mod arbejdsemnets overflade uden at røre ved aftrækkeren.

#### VÆRKTØJET MÅ IKKE KØRE

- Hold værktøjet væk fra arbejdsoverfladen og, mens du undgår at pege værktøjet mod dig selv eller andre, trykker du aftrækkeren ned.

#### VÆRKTØJET MÅ IKKE KØRE

C) Hold værktøjet væk fra arbejdsoverfladen, og tryk på aftrækkeren. Tryk sikkerhedsgafflen mod arbejdsemnets overflade.  
**VÆRKTØJET SKAL KØRE.**

D) Tryk sikkerhedsgafflen mod arbejdsemnets overflade uden at røre aftrækkeren og tryk derefter på aftrækkeren.  
**VÆRKTØJET SKAL KØRE.**

### DELVIST SEKVENTIEL AKTIVERINGSFUNKTION

A) Uden at røre ved aftrækkeren skal du presse sikkerhedsgafflen mod arbejdsoverfladen.

**VÆRKTØJET MÅ IKKE KØRE.**

B) Hold værktøjet væk fra arbejdsoverfladen og, mens du undgår at pege værktøjet mod dig selv eller andre, trykker du aftrækkeren ned.  
**VÆRKTØJET MÅ IKKE KØRE.**

C) Hold værktøjet væk fra arbejdsoverfladen, og tryk på aftrækkeren. Tryk sikkerhedsgafflen mod arbejdsoverfladen.  
**VÆRKTØJET MÅ IKKE KØRE.**

D) Uden at røre ved aftrækkeren skal du presse sikkerhedsgafflen mod arbejdsoverfladen og trykke aftrækkeren i ned.  
**VÆRKTØJET SKAL KØRE.**

E) Med sikkerhedsgafflen stadig trykket mod arbejdsoverfladen skal du trykke på aftrækkeren igen.  
**VÆRKTØJET SKAL KØRE.**

### FULD SEKVENTIEL AKTIVERINGSFUNKTION

A) Uden at røre ved aftrækkeren skal du presse sikkerhedsgafflen mod arbejdsoverfladen.  
**VÆRKTØJET MÅ IKKE KØRE.**

B) Hold værktøjet væk fra arbejdsoverfladen og, mens du undgår at pege værktøjet mod dig selv eller andre, trykker du aftrækkeren ned.  
**VÆRKTØJET MÅ IKKE KØRE.**

C) Hold værktøjet væk fra arbejdsoverfladen, og tryk på aftrækkeren. Tryk sikkerhedsgafflen mod arbejdsoverfladen.  
**VÆRKTØJET MÅ IKKE KØRE.**

D) Uden at røre ved aftrækkeren skal du presse sikkerhedsgafflen mod arbejdsoverfladen og trykke aftrækkeren i ned.  
**VÆRKTØJET SKAL KØRE.**

E) Med sikkerhedsgafflen stadig trykket mod arbejdsoverfladen skal du trykke på aftrækkeren igen.  
**VÆRKTØJET MÅ IKKE KØRE.**

### UAFBRUDT KONTAKTAKTIVERINGSFUNKTION:

A) Tryk sikkerhedsgafflen mod arbejdsemnets overflade uden at røre ved aftrækkeren.  
**VÆRKTØJET MÅ IKKE KØRE.**

B) Hold værktøjet væk fra arbejdsoverfladen og, mens du undgår at pege værktøjet mod dig selv eller andre, trykker du aftrækkeren ned.  
**VÆRKTØJET MÅ IKKE KØRE.**

C) Hold værktøjet væk fra arbejdsoverfladen, og tryk på aftrækkeren. Tryk sikkerhedsgafflen mod arbejdsemnets overflade, og lad værktøjet glide enten fra side til side eller fremad/bagud.  
**VÆRKTØJET SKAL AKTIVERES OG FORTSÆTTE MED AT VÆRE DET, INDTIL ENTEN AFTRÆKKEREN SLIPPES, ELLER VÆRKTØJET LØFTES VÆK FRA ARBEJDSEMNETS OVERFLADE.**

D) Tryk sikkerhedsgafflen mod arbejdsemnets overflade uden at røre aftrækkeren og tryk derefter på aftrækkeren.  
**VÆRKTØJET SKAL AKTIVERES OG FORTSÆTTE MED AT VÆRE DET, INDTIL ENTEN AFTRÆKKEREN SLIPPES, ELLER VÆRKTØJET LØFTES VÆK FRA ARBEJDSEMNETS OVERFLADE.**

### BRUG AF VÆRKTØJET

Efter at have tjekket, at værktøjet fungerer korrekt, skal man trykke næsen mod arbejdsemnets overflade og trykke på aftrækkeren. Kontrollér, at sømmet er blevet slået i som påkrævet

- Hvis sømmet ikke er blevet sat dybt nok i, skal man øge lufttrykket med 0,5 bar (5-6 PSI) ad gangen; kontrollér resultatet efter hver indstilling. Overskrid ikke det maksimale tilladelige arbejdstryk (se Værktøjets Tekniske Specifikationer)

- Hvis sømmet er blevet sat for dybt i, skal man sænke lufttrykket med 0,5 bar (5-6 PSI) ad gangen; kontrollér resultatet efter hver indstilling. Anvend ikke mindre end det anbefalede minimumstryk (se Værktøjets Tekniske Specifikationer).

Arbejd altid med det lavest mulige lufttryk. Dette vil sænke den støj og de vibrationer, der udsendes, og samtidig øge de indvendige komponenters funktionsdygtige levetid.

# UD OVER DE ANDRE ADVARSLER I DENNE MANUAL SKAL MAN OVERHOLDE NEDENSTÅENDE FOR AT KUNNE ARBEJDE UNDER SIKRE FORHOLD.

- Behandl din BOSTITCH-trykluftssømpistol som et værktøj. Det er ikke et legetøj. Lav ikke sjov med værktøjet i hånden.
- Anvend kun dit BOSTITCH-trykluftværktøj til det formål, det er designet til.
- Anvend aldrig værktøjet på en måde, der vil kunne medføre, at et søm kan blive rettet mod brugeren eller andre i arbejdsområdet.
- Anvend ikke værktøjet som en hammer.
- Bær altid værktøjet i håndtaget. Bær aldrig værktøjet i luftslangen. • Bær aldrig værktøjet med aftrækkeren trykket ned.
- Foretag ikke modificeringer til dette værktøj, således at det afviger fra det originale design eller funktion, uden skriftlig tilladelse fra BOSTITCH
- Vær opmærksom på, at misbrug eller ukorrekt håndtering af dette værktøj kan medføre personskade for dig selv eller andre.
- Hæft eller klæb aldrig aftrækkeren eller sikkerhedsgafflen fast i en aktiveret position.
- Efterlad aldrig et værktøj uden opsyn, hvis luftslangen er tilsluttet.
- Anvend ikke dette værktøj, hvis der ikke er påført et læseligt ADVARSELSSKILT.
- Hold inde med at bruge et værktøj, der taber luft eller ikke fungerer korrekt. Henvend dig til din nærmeste BOSTITCH repræsentant, hvis dit værktøj har vedvarende problemer med funktionen.
- Når arbejde skal man holde værktøjet på en sådan måde, at man ikke risikerer hovedskader eller skader til kroppen, hvis værktøjets tilbageslag skulle blive øget på grund af et fald i lufttrykket eller hårde områder på arbejdsområdet.
- Arbejd ikke i nærheden af hjørner eller kanter på arbejdsområdet. Sømmet vil kunne gå igennem arbejdsområdet og eventuelt forårsage personskader.
- Når værktøjets transporteres, skal man først afbryde luftforsyningen.
- Kontrollér, at sikkerhedsgafflen (hvis til stede) og aftrækkeren begge fungerer korrekt.

- Afmontér eller blokér aldrig nogen dele af værktøjet, specielt ikke sikkerhedsgafflen.
- Undgå at svække værktøjet ved punsling eller indgravering.



- Du må ikke bruge beskadigede, trævlede eller forringede slanger og beslag



- Du må ikke bære værktøjet i slangen.

- Vær forsigtig, når du bruger trykluftværktøjer, idet værktøjet kan blive koldt, hvilket kan påvirke grebet og kontrollen.

## Farer forbundet med gentagne bevægelser

- Når operatøren bruger værktøjet i længere perioder, kan vedkommende opleve ubehag i hænderne, armene, skuldrene eller andre dele af kroppen. Følgende gælder:
  - Når operatøren bruger et værktøj, skal vedkommende indtage en passende ergonomisk kroppsstilling. Bibehold et sikkert fodfæste for at undgå akavede eller uafbalancerede stillinger.

- Hvis operatøren oplever symptomer som f.eks. gentaget ubehag, smerter, snurren, ømhed, prikken, følelselshed, brændende fornemmelse eller stivhed, må vedkommende ikke ignorere disse advarsler. Operatøren skal henvende sig til en bedriftslæge angående de overordnede aktiviteter.

## Farer på arbejdspladsen

- Snublen, gliden og fald er de største grunde til personskader på arbejdspladsen. Vær opmærksom på glatte overflader, som skyldes brugen af værktøjet, samt snublefarer fra luftlinjeslangen.
- Vær forsigtig, når du arbejder i fremmede omgivelser. Der kan være skjulte farer som f.eks. elektricitet eller andre kraftværkslinjer.
- Dette værktøj er ikke beregnet til brug i potentielt eksplosive atmosfærer og er ikke isoleret imod kontakt med elektrisk strøm.
- Sørg for, at der ikke er el-ledninger, gasrør osv., som kan udgøre en fare, hvis de beskadiges fra brug af værktøjet.

## Andre risikoeer 2019

De følgende risikoeer er uløseligt forbundet med brugen af disse værktøjer:

- Personskade forårsaget af forkert håndtering af værktøjet.
- Mindre kontrol ved at tage for hårdt fat på værktøjet.
- Muskelspændthed i armene og hænderne, når man arbejder over hovedhøjden. Du bør altid holde regelmæssige pauser, når du arbejder længere perioder.

Til trods for anvendelse af de relevante sikkerhedsvedtægter og implementeringen af sikkerhedsudstyr kan visse risikoeer ikke undgås. Disse er som følger:

- Nedsat hørelse.
- Risiko for personskade på grund af flyvende partikler.
- Risiko for forbrændinger, fordi tilbehøret bliver varmt under betjeningen.
- Risiko for personskade grundt langvarig brug.
- Mindre kontrol forårsaget af tilbageslag.
- Risiko for personskade forårsaget af knibepunkter, skarpe kanter og forkert håndtering af arbejdsemnet.
- Risiko for personskade forårsaget af skarpe kanter, når man skifter søm eller sætter hæftesøm i.

## STØJUDSENDELSE (Se Værktøjets Tekniske Specifikationer)

De karakteristiske støjværdier for værktøjet er blevet fastslået i overensstemmelse med EN 12549 - "Akustik - Støjtteststandard for fastgøringsmaskiner - Teknisk Metode."

Disse værdier er værktøjsrelaterede, karakteristiske værdier og repræsenterer ikke støjudviklingen ved brugsstedet. Støjudvikling ved brugsstedet vil for eksempel afhænge af arbejdsomgivelserne, arbejdsemnet, arbejdsemnets støtte og antallet af isætningsfunktioner etc.

Afhængigt af forholdene på arbejdspladsen og formen på arbejdsemnet kan der opstå behov for at træffe individuelle forholdsregler for at sænke støjen, såsom placering af arbejdsemnet på støjdæmpende støtter, modvirkning af vibration af arbejdsemnet ved hjælp af fastspænding eller tildækning, indstilling på det mindst mulige lufttryk krævet til arbejdet etc.

## OPLYSNINGER OM VIBRATION (se Værktøjets Tekniske Specifikationer)

Den karakteristiske vibrationsværdi for værktøjet er blevet fastslået i overensstemmelse med ISO/WD 8662-11 "Måling af vibrationer i håndholdte værktøjsmaskiner - Del 11 Fastgøringsmaskiner".

Denne værdi er en værktøjsrelateret, karakteristisk værdi og repræsenterer ikke indflydelsen på hånd-arm systemet under brug af værktøjet. Indflydelse på hånd-arm systemet under brug af værktøjet vil for eksempel afhænge af gribekraften, berøringskraften, arbejdsretningen, indstillingen af trykløsløst forsyningen, arbejdsmedie, arbejdsmediet etc.



GB Not to be reproduced without permission. Unauthorized copies of this document do not constitute CE compliance for the products.

FR Reproduction interdite sans permission préalable. Les copies non autorisées de ce document ne signifient en rien que les produits soient conformes aux normes CE.

DE Vervielfältigung nicht ohne Genehmigung gestattet. Unzulässige Kopien dieses Dokuments erfüllen nicht die CE-Richtlinien für Produkte.

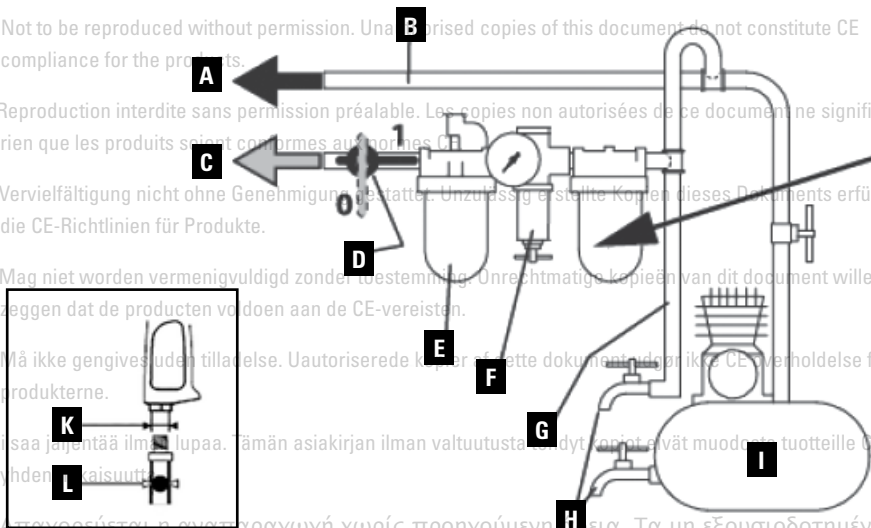
NL Mag niet worden vernenigvuldigd zonder toestemming. Unrechtmatige kopieën van dit document willen niet zeggen dat de producten voldoen aan de CE-vereisten.

DK Må ikke gengives uden tilladelse. Uautoriserede kopier af dette dokument udgør ikke CE-overholdelse for produkterne.

FI Ei saa joutentää ilman lupaa. Tämän asiakirjan ilman valtuutusta tehty kopiointi ei vält muodonmuutoksille CE-yhtenäisyyden takia.

GR Η αναπαραγωγή ή αναπαραγωγή χωρίς προηγούμενη άδεια. Τα μη εξουσιοδοτημένα αντίγραφα του παρόντος εγγράφου δεν αποτελούν συμμόρφωση CE για τα προϊόντα.

- A) Til luftsysten
- B) Hovedlinjer (3 størrelser på værktøjsluftindgang)
- C) Til luftværktøj
- D) Nødindløbsventil
- E) Smøreanordning
- F) Regulator
- G) Forgreningslinje (2 størrelser på værktøjsluftindgang)
- H) Udløb
- I) Kompressor
- J) Filter
- K) 1/4" NPT Høj-gennemstrømningsbeslag
- L) Luftslange 3/8" (10mm) indvendig diameter Min



## PLACERING AF VÆRKTØJ UNDER SERVICE

En luftfilterenhed (J) skal anbringes mellem luftkompressoren og luftsmøreanordning for at levere ren luft til værktøjet. Vand og snavs kan beskadige trykluftsværktøjer (se diagrammet ovenfor).

## FEJLFINDING & VEDLIGEHOLDELSE

Reparationer må udelukkende udføres af BOSTITCH's autoriserede forhandlere, eller af andre eksperter, under overholdelse af sikkerheds- betjenings- og vedligeholdelsesinstruktionerne indeholdt i denne vejledning eller i Værktøjets Tekniske Specifikationer.

- Afbryd værktøjet fra luftforsyningen og tøm magasinet helt inden vedligeholdelse eller reparation påbegyndes. Bemærk advarselene i denne manual og i Værktøjets Tekniske Specifikationer og på selve værktøjet, og udvis stor omhyggelighed ved vurdering af problemværktøjer.

- Kun ægte BOSTITCH-reservedele bør anvendes. Anvend ikke ændrede dele eller dele der ikke vil give en præstation, der svarer til det originale udstyr.
- Når et værktøj repareres skal man sikre sig, at de interne dele er rene og smurte. Brug Parker «O»-Lube eller tilsvarende på alle «O»-ringe. Smør hver «O»-ring med «O»-Lube før montering. Anvend en lille mængde olie på alle bevægelige overflader og drejende dele. Efter genmontering skal man tilføje et par dråber BOSTITCH Air Tool Lubricant gennem luftlinjen inden kontrol.
- Se Værktøjets Tekniske Specifikationer for yderligere oplysninger, der specifikt vedrører vedligeholdelse af dit værktøj.
- Hvis problemet ikke kan løses ved hjælp af nedenstående vejledning skal De rette henvendelse til den nærmeste BOSTITCH repræsentant eller forhandler.

PROBLEM	ÅRSAG	KORREKTION
Manglende aktivering	Sammensnævring i luftforsyningen	Kontrollér luftforsyningsudstyret
	Værktøjet er tørt, manglende smøring	Brug BOSTITCH Air Tool Lubricant
	Slidte hovedventil O-ringe (hvis til stede)	Udskift O-ringene
	Ødelagt cylinderhættefjeder	Udskift cylinderhættefjeder
	Hovedventil (hvis til stede) sidder fast i hættten	Afmontér/Kontrollér/Smør
Kraftmangel; langsom aktivering	Lufttrykket er for lavt	Kontrollér luftforsyningsudstyret
	Værktøjet er tørt, manglende smøring	Brug BOSTITCH Air Tool Lubricant
	Ødelagt cylinderhættefjeder	Udskift cylinderhættefjeder
	O-ringe/pakninger skårne eller revnede	Udskift O-ringe/pakninger
	Blokeret udstødning	Kontrollér anslag, hovedventilfjeder, lyddæmper
	Aftrækkersamlingen er slidt/den lækker.	Udskift aftrækkersamlingen
	Cylinderforing ikke placeret korrekt på underanslaget	Afmontér for at udbredde
Aftrækkerventilens hus taber luft	O-ring skåren eller revnet	Udskift O-ring
Aftrækkerventilens stang taber luft	O-ringe/pakninger skårne eller revnede	Udskift O-ringe/pakninger
Ramme/næse taber luft	O-ring eller pakning er skåren eller revnet	Udskift O-ring eller pakning
	Anslag revnet/slidt	Udskift anslag
Ramme/hætte taber luft	Beskadiget pakning eller pakningselement	Udskift pakning eller pakningselement
	Revnet/slidt hovedventilanslag	Udskift anslag
	Løse hætteskruer	Stram og kontrollér igen
Værktøjet springer fastgøringsanordninger over; uregelmæssig tilførsel	Slidt anslag	Udskift anslag
	Luftindsnævring/utilstrækkelig luftstrømning gennem hurtig-udkoblingssocklen og pløkken	Udskift hurtig-udkoblingsbeslag
	Slidt stempel O-ring (hvis til stede)	Udskift O-ring, kontrollér driver

PROBLEM	ÅRSAG	KORREKTION
GB Not to be reproduced without permission for the products.	Værktøjet er tørt, manglende smøring	Brug BOSTITCH Air Tool Lubricant
FR Reproduction interdite sans permission préalable. Les copies non autorisées ne signifient en rien que les produits soient conformes aux normes CE.	Beskadiget skubbefjeder Lavt lufttryk	Udskift fjeder Kontrollér luftforsyningssystemet til værktøjet
DE Vervielfältigung nicht ohne Genehmigung gestattet. Unzulässig erstellte Kopien dieses Dokuments erfüllen nicht die CE-Richtlinien für Produkte.	Løs magasin-næse-skrue	Stram alle skrue
NL Mag niet worden vermenigvuldigd of gereproduceerd. Het is niet gerechtvaardigd om te zeggen dat de producten voldoen aan de CE-vereisten.	Fastgøringsanordningerne er for korte til værktøjet	Brug kun anbefalede fastgøringsanordninger
DK Må ikke gengives uden tilladelse. Uautoriserede kopier af dette dokument indgår ikke CE overholdelse for produkterne.	Bøjede fastgøringsanordninger	Undgå at bruge disse fastgøringsanordninger
FI Ei saa jäljentää ilman lupaa. Tämän asiakirjan ilman valtuutusta tehdyt kopiot eivät muodosta tuotteen CE-yhdenmukaista.	Fastgøringsanordninger af forkert størrelse	Brug kun anbefalede fastgøringsanordninger
GR Απαγορεύεται η αναπαραγωγή ή η αντιγραφή του παρόντος εγγράφου δεν αποτελούν συμπλήρωση των προϋποθέσεων CE.	Lækkende hovedhættepakning	Stram skrue/udskift pakning
IT Vietata la riproduzione senza permesso. Le copie non autorizzate di questo documento non garantiscono la conformità CE per i relativi prodotti.	Aftrækkerventilens O-ring skåren/slidt	Udskift O-ring
NO Skal ikke reproduseres uten tillatelse. Uautoriserte kopier av dette dokumentet oppfyller ikke kravene for CE-merking for produktet.	Ødelagt/skåren driver	Udskift driver (kontrollér stemplets O-ring)
PL Nie wolno kopiować bez pozwolenia. Nieautoryzowane kopie niniejszego dokumentu nie stanowią deklaracji zgodności CE prezentowanych produktów.	Tørt/snavset magasin	Rengør/smør, brug BOSTITCH Air Tool Lubricant
PT Não se permite a reprodução sem autorização prévia. As cópias não autorizadas deste documento não estão em conformidade com a CE para os produtos.	Slidt magasin	Udskift magasin
ES Prohibida la reproducción sin permiso. Las copias no autorizadas de este documento no suponen la conformidad con las normas CE de los productos.	Fastgøringsanordningerne sidder fast i værktøjet	Udskift næse/tjek låge
SE Prohibida la reproducción sin permiso. Las copias no autorizadas de este documento no suponen la conformidad con las normas CE de los productos.	Fastgøringsanordninger af forkert størrelse	Brug kun anbefalede fastgøringsanordninger
SK Rozmnožovanie bez povolenia je zakázané. Neoprávnené kópie tohto dokumentu nie sú v súlade s CE pre dané výrobky.	Bøjede fastgøringsanordninger	Undgå at bruge disse fastgøringsanordninger
HU A dokumentum engedély nélkül nem sokszorosítható. Az engedély nélkül sokszorosított dokumentum nem jelenti a termék CE-megfelelőségét.	Løse magasin/næseskrue	Stram alle skrue
RO Reproducerea neautorizată este interzisă. Copiile neautorizate ale acestui document nu reprezintă conformitatea CE pentru produse.	Ødelagt/skåren driver	Udskift driver (kontrollér stemplets O-ring)

DK

## ▲ TURVALLISUUS- JA KÄYTTÖOPAS



ENNEN TYÖKALUN KÄYTTÖÖNOTTOA ON SYYTÄ LUKEA TARKOIN NÄMÄ KÄYTTÖOHJEET, YMMÄRTÄÄ NIIDEN SISÄLTÖ JA NOUDATTAA TURVAROITUKSIA JA -OHJEITA. SÄILYTTÄKÄÄ NÄMÄ OHJEET TYÖKALUN OHESSA. JOS TEILLÄ ON KYSYTTÄVÄÄ, OTTAKAA YHTEYS BOSTITCH-EDUSTAJAAN TAI -JÄLLEENMYYJÄÄN.

ENNEN TYÖKALUN KÄYTTÖÖNOTTOA KEHOTAMME TEITÄ LUKEMAAN TEKNISEN KÄSIKIRJAN TYÖKALUTAULUKON SARAKE LÄÄ, JOISTA SELVIÄÄ TYÖKALUN TOIMINTAMUOTOA.

**Kiinnikkeiden naulaintyökalut ovat ammattilaisten voimatyökaluja.**

Lapsia EI SAA päästää työkaluun käsiksi.

Kokemattoman operaattorin käyttäessä tätä työkalua häntä pitää valvoa.

- Nuoret lapset ja vaivaiset. Tätä laitetta ei ole tarkoitettu nuorten lasten tai vaivaisten henkilöiden käyttöön ilman valvontaa.

- Tätä tuotetta ei ole tarkoitettu sellaisten henkilöiden (mukaan lukien lasten) käyttöön, jotka kärsivät ruumiin, aistien tai mielen vajaakykyisyydestä ja joilta puuttuu kokemusta, tietämystä tai taitoja, ellei heitä valvo turvallisuudesta vastaava henkilö. Lapsia ei saa koskaan jättää yksin tämän tuotteen kanssa.

- Vain teknisesti taitavat käyttäjät saavat käyttää kiinnikkeiden naulaintyökalua.

- Kiinnikkeiden naulaintyökalua ei saa muuttella. Muutokset voivat vähentää turvatoimien tehoa ja lisätä käyttäjään ja/tai sivullisiin kohdistuvia riskejä.

BOSTITCH-työkalut ovat tarkkuuslaitteita ja ne on suunniteltu erittäin nopeaan suurimääräiseen kiinnitykseen. Noudatettaessa huolella käyttöohjeita, työkalut toimivat tehokkaasti ja luotettavasti. Kuten minkä tahansa työkalun kohdalla takaa laitteen valmistajan käyttöohjeiden noudattaminen parhaat tulokset. Lukekaa siis huolella nämä käyttöohjeet ollaksenne selvillä turvavaroituksista ja varoitusmerkeistä, ennen kuin alatte käyttää työkalua. Asennus- käyttö- ja huolto-ohjeet tulee lukea huolellisesti ja oppaat säilyttää helposti saatavilla. Huom: Voi olla tarpeen soveltaa myös muita turvatoimenpiteitä työkalun erityissovellusten mukaan. Ottakaa yhteyttä BOSTITCH-edustajaan tai jälleenmyyjään missä tahansa työkalua ja sen käyttöä koskevissa asioissa.

## ▲ HUOM:

BOSTITCH-työkalut on suunniteltu tyydyttämään asiakkaan vaatimukset ja ne takaavat maksimisuorituskyvyn, kun niitä käytetään yhdessä BOSTITCH-tarkkuuskiinnikkeiden kanssa, joiden suunnittelussa on sovellettu samoja tarkkuusstandardeja.

**BOSTITCH ei voi ottaa vastuuta tuotteen suorituskyvystä, jos työkalujamme käytetään kiinnikkeiden tai lisävarusteiden kanssa, jotka eivät täytä BOSTITCH in nauiloilleen, hakasilleen ja lisävarusteilleen asettamia erityisvaatimuksia.**

## RAJOITETTU TAKUU

BOSTITCH on varma tuotteidensa laadusta ja antaa tuotteen ammattikäyttäjille takuun. Tämä takuulauseke toimii lisäyksenä eikä millään tavoin rajoita sopimusperusteisia oikeuksiasi ammattikäyttäjänä tai lakisääteisiä oikeuksiasi yksityisenä ei-ammattikäyttäjänä. Takuu on voimassa Euroopan unionin jäsenvaltioissa ja Euroopan vapaakauppa-alueella.

Mikäli BOSTITCH-tuotteesi vioittuu 12 kuukauden sisällä ostopäivästä materiaali- tai valmistusvikojen vuoksi, BOSTITCH takaa vaihtavansa vialliset osat korvauksetta tai harkintansa mukaan vaihtavansa laitteen maksutta, kunhan:

- Laitetta ei ole väärinkäytetty
- Tuote on kulunut normaalisti; käyttöerät, suojukset ja O-renkaat ovat tavallisia kuluvia osia, eivätkä kuulu tämän takuun piiriin
- Valtuuttamattomat henkilöt eivät ole yrittäneet korjata sitä
- Ostotodiste esitetään
- Tuote palautetaan täydellisenä ja kaikki alkuperäiset komponentit palautetaan
- Tuote palautetaan omalla kustannuksellasi ja ostotodistuksen kanssa paikalliseen huoltoiliikkeeseemme tai valtuutettuun takuukeskukseen.

Jos haluat tehdä reklamaation, ota yhteys jälleenmyyjäsi tai tarkista lähimmän valtuutetun BOSTITCH-huoltopisteen sijainti BOSTITCH-luettelosta, tai ota yhteys tässä ohjeessa mainitussa osoitteessa sijaitsevaan BOSTITCH-toimistoon

## ERITYISSUOSITUKSIA

Tämän työkalun kanssa tulee käyttää vain kiinnikkeitä, jotka vastaavat käyttöohjeissa kuvattuja edellytyksiä (kts. Työkalun tekniset tiedot). Työturvallisuuden kannalta työkalu ja kiinnikkeet on käsitettävä yhtenä kokonaisuutena.

Tarkista aina ennen käyttöä, ettei työkalussa ole rikkiinäisiä, väärin liitettyjä tai kuluneita osia.

Korjaukset tulee suorittaa ainoastaan BOSTITCHin valtuuttamien teknikoiden tai muiden ammattimiesten toimesta ja tämän käsikirjan turvallisuus- käyttö- ja huolto-ohjeita, erityistä työkalun käyttöopasta ja työkalun teknisiä tietoja noudattaen.

**Huom:** Ammattimiehet ovat henkilöitä, jotka koulutuksen tai ammattikokemuksen ansiosta omaavat naulaintyökalualan tuntemuksen ja siten pystyvät työskentelemään turvallisesti naulaintyökalujen parissa.

Työkalun tukialustaan, esimerkiksi työpöytään, kiinnittävät telineet tai vastaavat tulee suunnitella ja rakentaa siten, että naulaintyökalujen käyttö on varmaa ja turvallista, jolloin vältetään vauriot, vääntymiset tai paikoiltaan siirtymiset.

## TURVALLISUUSOHJEET



**SILMÄNSUOJAIMIA**, jotka suojaavat sekä EDESTÄ että SIVUILTA lentäviltä pirstaleilta, tulee aina pitää työkalua käytettäessä ja sen työskentelyalueella tätä työkalua ladattaessa, käytettäessä tai huollettaessa. Silmien suojaus on tarpeen sen välttämiseksi, että kiinnikkeitä tai pirstaleita lentäisi silmiin ja aiheuttaisi vaurioita. Työnantajan ja/tai työkalun käyttäjän tulee aina varmistaa, että silmien suojaus tapahtuu asianmukaisesti tavalla.

Tulee käyttää silmäsuojaimia, jotka ovat standardin 89/686/ETY mukaisia ja vähintään standardissa EN166 määritellyn tasoisia. Henkilösuojaimia valittaessa pitää kuitenkin ottaa huomioon kaikki käyttäjän työhön, ympäristöön ja käytettäviin koneisiin liittyvät seikat.



**HUOMAUTUS: LISÄSUOJAUS** voi olla tarpeen tietyn tyypissä ympäristössä. Esimerkiksi voidaan joutua työskentelemään ympäristössä, jossa kova meluisuus voi aiheuttaa kuulovaurioita. Työnantajan tai laitteen käyttäjän tulee huolehtia, että työntekijät käyttävät asianmukaisia kuulosuojaimia tällaisessa työympäristössä. Eräissä ympäristöissä on käytettävä suojakypärää. Tarvittaessa työnantajan ja käyttäjän täytyy varmistaa, että suojakypärää käytetään.

## MELUVAARAT

- Suojaamaton altistuminen runsaalle melulle aiheuttaa pysyvää, vammauttavaa kuulonmenetystä ja muita ongelmia, kuten tinnitusta (korvien soimista, surinaa, vihellystä tai huminaa).
- Tällaisten vaarojen riskiarviointi ja asianmukainen hallinta ovat olennaisen tärkeitä.
- Riskien asianmukaiseen hallintaan saattaa kuulua esimerkiksi vaimennusmateriaaleja, jotka estävät työkappaleita kolisemasta.
- Käyttäkää asianmukaisia kuulosuojaimia.
- Käytä ja huolla työkalua näissä ohjeissa suositellulla tavalla, jotta melutason tarpeettomalta lisääntymiseltä vältytään.
- Jos työkalussa on äänenvaimennin, varmista aina työkalua käytettäessä, että se on paikallaan ja toimintakuntoinen.

## TÄRINÄVAARAT

- Tällaisten vaarojen riskiarviointiin ja asianmukaiseen hallintaan tarvittavat tiedot ovat olennaisen tärkeitä.
- Tärinälle altistuminen voi aiheuttaa vammauttavia vaurioita käsien hermoille ja verisuonille.
- Pidä kylmällä säällä lämpimiä työvaatteita ja pidä kädet lämpiminä ja kuivina.
- Jos koet sormien tai käsien kihelmöintiä, kipua tai ihon vaalentumista, pyydä pätevältä työterveydenhuollon ammattilaiselta toimintaa koskevia neuvoja.
- Käyttäkää ja huoltakaa työkalua näissä ohjeissa suositellulla tavalla, jotta tärinätason tarpeettomalta lisääntymiseltä vältytään.
- Tarttukaa työkaluun kevyellä mutta pitävällä otteella, koska tärinärisä on yleensä suurempi, kun tartuntavoima on suurempi.

## TURVAOHJEET ILMANSYÖTTÖÄ JA LIITÄNTÖJÄ VARTEN



Paineilmalla toimivissa työkaluissa tulee käyttää energianlähteenä ainoastaan paineilmaa. Älkää käyttäkö happea tai polttokaasuja energianlähteenä.

Älkää käyttäkö kaasupulloja tai ilmansyöttöä, jonka maksimipaine saattaisi ylittää käyttämäsi työkalun ohjekirjassa määritetyn maksimipaineen, koska työkalu saattaisi rikkoutua ja mahdollisesti aiheuttaa vahingon.

Mikäli ilmansyötön maksimpaine pystyy ylittämään mainitun arvon, on tarpeen asentaa ilmansyöttöön paineenalennusventtiili ja edelleen turvaventtiili.

- Älkää painako liipaisinta tai varmistinta ilmansyöttöä liitettäessä. Työkalu voisi alkaa toimia, jolloin on olemassa riskivaraa.
- Työkalun liittimeen ei saa jäädä painetta, kun ilmansyöttö katkaistaan. Jos käytetään väärää liitöskappaletta, työkaluun voi jäädä ilmaa myös ilman poiskytkennän jälkeen. Tämä voisi saada aikaan kiinnikkeen laukaisun myös sen jälkeen, kun ilmansyöttö on katkaistu, minkä seurauksena voisi olla riskitilanne.
- Ilma tulee kytkeä pois aina seuraavissa tapauksissa:

1) Ennen säätöjen suorittamista; 2) Suoritettaessa huoltotoimia; 3) Selvitettäessä tukosta; 4) Kun työkalu ei ole käytössä; 5) Vaihdettaessa työtilaa, jolloin työkalu voi lauetta vahingossa ja aiheuttaa mahdollisesti vammoja.

## ⚠ TURVAOHJEET TYÖKALUN LATAAMISEEN

Työkalua ladattaessa: 1) älkää koskaan laittako kättä tai mitään kehon osaa työkalun kiinnikkeen poistoalueelle, 2) älkää suunnatko työkalua itseänne tai ketään muuta kohti, 3) älkää painako liipaisinta tai varmistinta, jolloin työkalu saattaa lauetta vahingossa ja aiheuttaa mahdollisesti loukkaantumisen.

**Huom: Tarkemmat latausohjeet ja kiinnittimien suosituskoot löytyvät erillisestä teknisten tietojen käyttöohjeesta.**

## ⚠ TURVAOHJEET TYÖKALUN KÄYTTÖÖN

- Käsitelkää työkalua aina varovasti: 1) Älkää koskaan leikitelkө sen kanssa; 2) Älkää koskaan painako liipaisinta, ennen kuin olette suunnannut työkalun kärjen työkalupäälle kohti; 3) Huolehtikaa, että muut henkilöt ovat turvaetäisyydellä työkalusta sen toimissa riskien ja vaurioiden välttämiseksi, mikäli työkalu laukeaisi vahingossa.
- Työntekijä saa pitää liipaisinta painettuna varmistimella varustetuissa työkaluissa vain kiinnitystä suorittaessaan. Vahingossa tapahtuva kosketus esineisiin tai ihmisiin voisi saada työkalun toimimaan yllättäen, mikä voi aiheuttaa vakavia vammoja.
- Pitäkää kädet ja vartalo loitolla työkalun ulossyötöstä. Työkalu voisi kimmahda takaisin potkaisun vuoksi ja toinen kiinnike voisi lauetta vahingossa aiheuttaen vammoja.

• Tarkastakaa tihein välein varmistimen toiminta. Älkää käyttäkө työkalua, jos sen varsi ei toimi oikein, sillä tällaisessa tilanteessa kiinnike voisi vahingossa lauetta. Älkää puuttuko varmistimen normaalityöntilaan.

- Älkää iskekө kiinnikkeitä toisten kiinnikkeiden päälle, koska ne voisivat kimmota aiheuttaen vahinkoja.
- Älkää iskekө kiinnikkeitä työkalupaleen reunojen lähelle, sillä puu voi hajeta saaden siten kiinnikkeen kimpomaan ja aiheuttaen vahinkoja.
- Älkää kurottako liikaa. Käyttäkää vain turvallisella työalueella. Pitäkää aina tukeva jalansija ja tasapaino.
- Pitäkää sivulliset poissa (kun työskentelette alueella, jonka läpi kulkee todennäköisesti ihmisiä): Eristäkää työskentelyalue selkeästi.
- Käyttäkää aina toista kahvaa (jos se on toimitettu).
- Käyttäkää vain käsineitä, jotka sallivat riittävän tuntuman ja liipaisimien ja säätimien turvallisen hallinnan.

• Käytön aikana saattaa työkalupaleesta ja kiinnitysliitosjärjestelmästä irrota roskaa.

- Varokaa työkaluja, jotka eivät kosketa työkalupaleeseen, sillä ne voivat lauetta vahingossa ja vahingoittaa käyttäjää ja/tai sivullista.
- Varmistakaa, että työkalu on asetettu turvallisesti työkalupaleeseen eikä pääse lipsumaan.
- Säilyttäkää kehon tasapainoinen asento ja pitävä jalansija.
- Asianmukaisia suojalaseja pitää käyttää ja asianmukaiset suojakäsineet ja -vaatteet ovat suositeltavia.

## ⚠ TURVAOHJEET TYÖKALUN HUOLTOON

Paineilmalla toimivia työkaluja käytettäessä on syytä huomioida kaikki käyttöohjeiden sisältämät varoitukset ja kutakin työkalua koskevat erityisohjeet. Käsitelkää viottuneita työkaluja varovasti.

## ⚠ PAINEILMANSYÖTTÖ JA LIITÄNNÄT

Kun työkaluja liitetään ilmantuloon, työkalun kiinnittimen ulostulopää täytyy osoittaa käyttäjältä ja muista työskentelyalueella olevista henkilöistä pois päin. Asettakaa työkalun ulostulopää riittävän paksun ja kooltaan riittävän suuren kokopaleen yläpuolelle. Kun kädet ovat poissa liipaisimelta ja laukaisumekanismista ja raajat ja keho pois työkalun purkausalueelta, voidaan ilmantulon liittäntä tehdä.

Vahingossa tapahtuvasta laukeamisesta johtuvien vaurioiden välttämiseksi katkaiskaa aina paineilmansyöttö:

1. Ennen säätöjen suorittamista.
2. Suoritettaessa huoltotoimia.
3. Purettaessa tukosta.

4. Kun työkalu ei ole käytössä.

5. Vaihdettaessa työtalaa vahingossa tapahtuvan käynnistyksen ja riskien välttämiseksi.

• Kompressorien tulee olla asianmukaisesti mitoitettuja takaamaan riittävän paineen ja virtauksen työkalun käyttötarkoitusta varten. Paineen lasku paineilman syötössä voi alentaa työkalun suorituskykyä. Viittaamme Työkälun teknisiin tietoihin oikean paineen säätämiseksi työkalua varten.

• Teolliset paineilemät pitää asentaa kalteviksi korkeimman kohdan ollessa kompressorin luona. Tämän jälkeen tulee alempiin kohtiin asentaa helppopääsyisiä vesilukkoja. Tyhjentäkää ne ainakin kerran päivässä ja tarvittaessa useammin. Lika ja syöttöilman kosteus ovat pääasiallisia syitä paineilmailta toimivien työkalujen kulumiseen. Työkälun liitoskohtiin tulee asentaa suodatin/säädin/huoltoyksikkö. Suodatin takaa parhaan työtuloksen ja vähentää kulumista. Suodattimen tulee olla laitteen kapasiteettia vastaava. Suodatin on pidettävä puhtaana, jotta työkalu saa tehokkaasti puhdasta paineilmaa. Tutustu suodattimen valmistajan antamiin huolto-ohjeisiin. Likainen ja tukkeutunut suodatin aiheuttaa paineen alentumisen ja alentaa työkalun suorituskykyä.

• Ilmalitännät työkalun teollisuuskäyttöä varten tulee suorittaa aloittamalla linjan yläpäästä.

• Ilmaletkujen minimikäyttöpaineen pitäisi olla 10,6 baaria tai 150 % maksimipaineesta, jonka paineilmajärjestelmä voi tuottaa. Syöttöletkussa pitäisi olla väline, joka takaa "pikakatkaisun" työkalun pistokkeesta.

• Varmistakaa, että työkalulle syötetty paine ei ylitä sallittua maksimikäyttöpainetta, jota kutsutaan »ps max.« (kts. Työkälun tekniset tiedot). Säätäkää ensin paine alhaisimpaan suositeltuun käyttöpaineseen (kts. Työkälun tekniset tiedot).

• Kokeilkaa, että työkalu toimii moitteettomasti suuntaamalla työkalun kärki kohti puukappaletta ja painakaa kerran tai pari lippsainta.

## VOITELU

• Parhaan työtuloksen saavuttamiseksi on tarpeen toistuva muttei liiallinen voitelu. Ilmansyöttölinjan

liitoksen kautta syötetty öljy voitelee laitteiston sisäosat. Lisäinformaatiota asianmukaisesta voitelusta saatte Työkälun teknisistä tiedoista. Älkää käyttäkö puhdistusöljyä tai lisäaineita, koska tällaiset voiteluaineet voivat nopeuttaa työkalun tiivisteiden kulumista aiheuttaen siten alentuneen suorituskapasiteetin ja toistuvia huoltokertoja.

• Jos ilmaletkussa ei käytetä mitään voiteluainetta, panna öljyä työkalussa olevaan ilmalitokseen kerran tai kaksi päivässä: muutama tippa (3–5) kerrallaan riittää. Liika öljy kertyy työkalun sisään ja tulee ulos poistovaiheessa.

• Toiminta kylmällä säällä. - Kylmällä säällä, lähellä jäätympistettä tai sen alapuolella, ilmaletkun sisältämä kosteus voi jäättyä ja siten estää työkalua toimimasta. Tällöin paineilmatyökälujen voiteluun suositellaan BOSTITCH Winter Formulaa tai muuta pakkasnestettä (eteeniglykolia).

**Varoitus** – Älkää säilyttäkö työkalua kylmässä ympäristössä jäätyneen tai jään muodostumisen välttämiseksi venttiileihin ja työkalun mekaanisiin osiin, mikä voisi aiheuttaa työkalun vaurioitumisen.

**Huom.** Eräät kaupan olevat ilmankuivausnesteet ovat vahingollisia O-renkaille ja tiivisteille: älkää käyttäkö näitä alhaisiin lämpötiloihin tarkoitettuja ilmankuivausnesteitä, ennen kuin olette todennut niiden yhteensopivuuden.

## ▲ KÄYTTÖ

**SILMÄNSUOJAIMIA**, jotka suojaavat sekä **EDESTÄ** että **SIVUILTA** lentäviltä pirstaleilta, tulee aina pitää työkalua käytettäessä ja sen työskentelyalueella tätä työkalua ladattaessa, käytettäessä tai huollettaessa. Silmien suojaus on tarpeen sen välttämiseksi, että kiinnikkeitä tai pirstaleita lentäisi silmiin ja aiheuttaisi vaurioita. Työnantajan ja/tai työkalun käyttäjän tulee aina varmistaa, että silmien suojaus tapahtuu asianmukaisella tavalla.

Silmäsuojaimien on suojattava sekä edestä että sivuilta. **Huom:** Pelkästään edestä suojaavat silmälasit ja kasvosuojaimet eivät riitä.

**▲ VAROITUS!** Jos työkalu on pudonnut tai epäilette työkaluvaurioita, tarkistakaa työkalun toiminta sitä käsittelevässä kappaleessa määritellyllä tavalla.

## TAPATURMIEN VÄLTÄMISEKSI:

• Älkää koskaan laittako käsiä tai muita ruumiinosia kiinnityslaitteen ulosyöttöalueelle paineilman ollessa kytkettynä.

• Älkää koskaan suunnatko työkalua ketään kohti.

• Älkää koskaan leikitelkölle työkalulla.

• Käsitelkää työkalua aina varovasti.

• Älkää koskaan painako liipaisinta, jos kärki osoittaa muualle kuin työkappaleeseen.

• Älkää painako liipaisinta tai varmistinta työkalua ladattaessa.

FR Reproduction interdite sans permission préalable. Les copies non autorisées de ce document ne signifient en

**KÄYTTÖTAVAT : BOSTITCH tarjoaa SEITSEMÄN käyttötapaa:**

Käyttötapa	Työkalun käyttöoppaan viite	Varmistin / Turvakytkin
KOSKETUSAKTIVOINTITILA	1	✓
OSITTAINEN PERÄKKÄISAKTIVOINTITILA:	2	✓
TÄYDELLINEN PERÄKKÄISAKTIVOINTITILA:	2A	✓
LIIPAISINLAUKAISU	3	
JATKUVA KOSKETUSAKTIVOINTITOIMINTA:	4	✓
JATKUVA LIIPAISINLAUKAISU ELI "AUTOMAATTINEN" TOIMINTA	5	✗
VALINTA-AKTIVOINTITILA:	6	✓

**TYÖKALUT ILMAN VARMISTINTA (KUTSUTAAN JOSKUS MYÖS TURVAKYTKIMEKSI)**

- **kaksi mahdollista käyttötapaa:**

**LIIPAISINAKTIVOINTI (Viite 3 Teknisten tietojen taulukossa, sarake L(a))**

Liipaisinaktivointimalli laukeaa vain liipaisinta painamalla. Tässä mallissa ei ole varmistinta ja se on tarkoitettu käyttöön vain silloin, kun varmistinta EI VOIDA käyttää sovelluksen vaatimuksien täyttämiseksi. Työkalu laukeaa aina, kun liipaisin aktivoidaan.

**JATKUVA LIIPAISINLAUKAISU ELI "AUTOMAATTITOIMINTA"**

(Viite 5 Teknisten tietojen taulukossa, sarake L(a)).

Jatkuvan liipaisinlaukaisun malli sallii laukaisujen toistamisen niin kauan, kuin liipaisin on aktivoituna. Tässä mallissa ei ole varmistinta ja se on tarkoitettu käyttöön vain silloin, kun varmistinta EI VOIDA käyttää sovelluksen vaatimuksien täyttämiseksi.

**TYÖKALUT, JOISSA ON VARMISTIN (KUTSUTAAN JOSKUS MYÖS TURVAKYTKIMEKSI)**

- **viisi mahdollista käyttötapaa:**

Kaikki varmistimella varustetut työkalut on merkitty alas osoittavalla, tasasivuisella kolmiolla (t). Älä yritä käyttää näin merkittyä työkalua, jos varmistin puuttuu tai näyttää vaurioituneelta.

Useimmat työkalut on varustettu varmistimella, joka on tavallisesti "ojennetussa" tai "alhaalla"-asennossa (Viite 1 Teknisten tietojen taulukossa, sarake L(b)). Jotkin työkalut on varustettu varmistimella, joka on tavallisesti "painetussa" tai "ylhäällä"-asennossa (Viite 2 Teknisten tietojen taulukossa, sarake L(b)). Katso omaa laitettasi koskevasta Työkalun tekniset tiedot -oppaasta tämän toiminnon täydet ohjeet.



**KOSKETUSAKTIVOINTITILA (MUSTA LIIPAISIN) (Viite 1 Teknisten tietojen taulukossa, sarake L(a))**

Kosketuslaukaisua hyödyntävät työkalut toimivat yleensä niin, että käyttäjä painaa varmistinta samalla kun hän painaa liipaisinta, jolloin kiinnike laukeaa joka kerta, kun työkappaletta kosketetaan. Näin kiinnikkeitä voidaan sijoittaa nopeasti tomissa töissä, kuten

FI



kuljetuslaatikkojen ja kuormalavojen kokoamisessa. Kaikki paineilmatyökalut potkaisevat kiinnikkeitä laukaistessa. Työkalu saattaa hypähtää, jolloin varmistin vapautuu, ja jos työkalu koskettaa taas pintaa liipaisinta painettaessa (sormi painaa yhä liipaisinta) toinen epätoivottava kiinnike laukeaa.



⚠ **VAROITUS!** Tällä symbolilla merkityissä työkaluissa on kosketusaktiivointi, jatkuva kosketusaktiivointi tai valinta-aktiivointi.

Nämä työkalut on suunniteltu tuotantokäyttöön, esim. kuormalavojen, huonekalujen ja talopakettien valmistukseen tai verhoiluun. **Tätä työkalua EI SAA** käyttää kosketusaktiivointitilassa esimerkiksi laatikkoja tai pakkauksia suljettaessa ja kuljetuksen turvajärjestelmiä perävaunuihin ja rekkoihin asennettaessa. Tätä työkalua tulee käyttää vain turvallisilla työalueilla. Vahingossa tapahtuva laukeaminen täytyy huolellisesti estää, kun vaihdetaan työskentelyasentoa.



## PERÄKKÄISAKTIVOINTI - 2 TYYPPIÄ (HARMAA LIIPAISIN)

**TYYPPI 1: OSITTAINEN PERÄKKÄIS-  
AKTIVOINTITILA**  
(Viite 2 Teknisten tietojen taulukossa, sarake L(a))

Osittainen peräkkäisaktiivointitila edellyttää, että ennen liipaisimen painamista käyttäjä painaa työkalun työkappaletta vasten siten, että varmistin painuu alas. Lisäksi kiinnikkeiden kiinnittämistä varten liipaisin on vapautettava ja painettava uudelleen, jotta työkalu toimii. Työkalu toimii joka kerta liipaisinta painettaessa, kun työkalu on painettu työkappaletta vasten.

**TYYPPI 2: TÄYDELLINEN PERÄKKÄISAKTIVOINTITILA**  
(Viite 2A Teknisten tietojen taulukossa, sarake L(a))

Täydellinen peräkkäisaktiivointitila toimii osittaisen peräkkäisaktiivointitilan kaltaisesti sillä erotuksella, että lisäksi kiinnikkeiden iskemiseksi liipaisin on vapautettava sekä työkalu nostettava irti työkappaleesta ja painettava takaisin työkappaletta vasten ennen toistoa.

Molemmat peräkkäisaktiivointitilat tekevät kiinnikkeiden täsmällisestä kiinnittämisestä helpompaa esimerkiksi valmistettaessa kehyksiä tai kuljetuslaatikoita. Peräkkäisaktiivointitila mahdollistaa kiinnikkeen tarkan sijoittamisen ilman riskiä toisen

kiinnikkeen tahattomasta laukaisemisesta, kuten on kuvattu kohdassa Kosketusaktiivointitila (alla). Peräkkäislaukaisutilassa toimiva työkalu tarjoaa turvallisuuden kannalta sen edun, että on mahdotonta iskeä vahingossa kiinnikettä, jos työkalu koskettaa työkappaletta – tai jotain muuta – käyttäjän pitäessä liipaisinta painettuna.

## JATKUVA KOSKETUSAKTIVOINTITOIMINTA: (Viite 4 Teknisten tietojen taulukossa, sarake L(a))

Jatkuvalle kosketusaktiivoinnilla toimivat työkalut sallivat laukaisujen toistamisen niin kauan, kuin liipaisin ja varmistin ovat painettuina. Ennen työkalun käsittelyä tai käyttöä:

Lukekaa ja ymmärtäkää näiden käyttöohjeiden sisältämät varoitukset. Viittaamme Työkalun teknisiin tietoihin työkalunne toimintamuodon tunnistamiseksi.



⚠ **VAROITUS!** Tällä symbolilla merkityissä työkaluissa on kosketusaktiivointi, jatkuva kosketusaktiivointi tai valinta-aktiivointi.

Nämä työkalut on suunniteltu tuotantokäyttöön, esim. kuormalavojen, huonekalujen ja talopakettien valmistukseen tai verhoiluun. **Tätä työkalua EI SAA** käyttää kosketusaktiivointitilassa esimerkiksi laatikkoja tai pakkauksia suljettaessa ja kuljetuksen turvajärjestelmiä perävaunuihin ja rekkoihin asennettaessa. Tätä työkalua tulee käyttää vain turvallisilla työalueilla. Vahingossa tapahtuva laukeaminen täytyy huolellisesti estää, kun vaihdetaan työskentelyasentoa.



## VALINTA-AKTIVOINTITILA (Viite 6 Teknisten tietojen taulukossa, sarake L(a))

Jotkin työkalut on varustettu valintakytkimellä, jolla käyttäjä voi vaihdella peräkkäisaktiivointitilan ja kosketusaktiivointitilan välillä.

Valittu toimintatapa ilmenee tilakytkimen asennosta. Jos tilakytkin osoittaa alas työkalun runkoon leimattuun usean naulan merkkiin, valittuna on kosketusaktiivointitila. Jos tilakytkin osoittaa ylös työkalun runkoon leimattuun yhden naulan merkkiin, valittuna on peräkkäisaktiivointitila. Lukekaa ja

perentykään edellisiin kappaleisiin Kosketusaktivointitila ja Peräkkäisaktivointitila, ennen kuin valitsette sopivan tilan.

Katsokaa omaa laitettanne koskevan oppaan teknisiä tietoista täydet ohjeet tämän toiminnon käytöstä.



**VAROITUS!** Tällä symbolilla merkityissä työkaluissa on kosketusaktivointi, jatkuva kosketusaktivointi tai valinta-aktivointi.

Nämä työkalut on suunniteltu tuotantokäyttöön, esim. kuormalavojen, huonekalujen ja talopakettien valmistukseen tai verhoiluun. Tätä työkalua EI SAA käyttää kosketusaktivointitilassa esimerkiksi laatikkoja tai pakkauksia suljettaessa ja kuljetuksen turvajärjestelmiä perävaunuihin ja rekkoihin asennettaessa. Tätä työkalua tulee käyttää vain turvallisilla työalueilla. Vahingossa tapahtuva laukeaminen täytyy huolellisesti estää, kun vaihdetaan työskentelyasentoa.

## TYÖKALUN TOIMINTATESTI

**HUOMAUTUS:** Poistakaa ennen testin suorittamista työkalusta kaikki kiinnikkeet.

**VAROITUS!** Jos työkalu on pudonnut tai epäilette työkaluvaurioita, tarkistakaa työkalun toiminta sitä käsittelevässä kappaleessa määritellyllä tavalla.

### LIIPAISIMELLA AKTIVOITAVA TYÖKALU:

- Sormen ollessa pois liipaisimelta ottakaa tukeva ote työkalun kahvasta.
- Asettakaa työkalun kärki työkappaleen pintaa vasten.
- Painakaa liipaisinta kiinnikkeen laukaisemiseksi. Vapauttakaa liipaisin ja laukaisusykli on valmis.

**HUOMAUTUS:** Työkalu laukeaa joka kerta, kun painetaan liipaisinta!

### TYÖKALUN JATKUVA ELI

#### “AUTOMAATTINEN” TOIMINTA

- Sormen ollessa pois liipaisimelta ottakaa tukeva ote työkalun kahvasta.
- Asettakaa työkalun kärki työkappaleen pintaa vasten.

C) Painakaa liipaisinta ja liikuttakaa työkalua poikittain tai edestakaisin. Työkalu jatkaa laukomista, kunnes liipaisin vapautetaan.

**HUOMAUTUS:** Varmistakaa, että käytön aikana työkalu on tukevasti työkappaleen pintaa vasten eikä joudu liian lähelle kappaleen reunoja. Kiinnike voisi laueta ilmaan ja aiheuttaa mahdollisia vammoja.

## KOSKETUSAKTIVOINTITOIMINTA

- Sormi pois liipaisimelta painakaa varmistin työkappaleen pintaa vasten.  
**TYÖKALU EI SAA LAUETA.**
- Nostakaa työkalu irti työkappaleesta ja painakaa liipaisinta osoittamatta työkalulla itseänne tai muita.  
**TYÖKALU EI SAA LAUETA.**
- Painakaa liipaisinta työkalun ollessa irti työkappaleesta. Painakaa varmistin kappaleen pintaa vasten.  
**TYÖKALUN PITÄÄ LAUETA.**
- Koskettamatta liipaisimeen painakaa varmistin kappaleen pintaa vasten ja painakaa sitten liipaisinta.  
**TYÖKALUN PITÄÄ LAUETA.**

## OSITTAINEN PERÄKKÄISTOIMINNAN KÄYTTÖ

- Painakaa varmistin työkappaletta vasten koskettamatta liipaisinta.  
**TYÖKALU EI SAA LAUETA.**
- Nostakaa työkalu irti työkappaleesta ja painakaa liipaisinta osoittamatta työkalulla itseänne tai muita.  
**TYÖKALU EI SAA LAUETA.**
- Painakaa liipaisinta työkalun ollessa irti työkappaleesta. Painakaa varmistin työkappaletta vasten.  
**TYÖKALU EI SAA LAUETA.**
- Koskettamatta liipaisimeen painakaa varmistin kappaleen pintaa vasten ja painakaa sitten liipaisinta.  
**TYÖKALUN PITÄÄ LAUETA.**
- Pitäkää varmistin painettuna työkappaletta vasten ja painakaa liipaisinta uudelleen.  
**TYÖKALUN PITÄÄ LAUETA.**

## TÄYDELLISEN PERÄKKÄISTOIMINNAN KÄYTTÖ

- Painakaa varmistin työkappaletta vasten

© koskettamatta liipaisinta.

### **TYÖKALU EI SAA LAUETA.**

B) Nostakaa työkalu irti työkappaleesta ja painakaa liipaisinta osoittamatta työkalulla itseänne tai muita.

### **TYÖKALU EI SAA LAUETA.**

C) Painakaa liipaisinta työkalun ollessa irti työkappaleesta. Painakaa varmistin työkappaletta vasten.

### **TYÖKALU EI SAA LAUETA.**

D) Koskettamatta liipaisimeen painakaa varmistin kappaleen pintaa vasten ja painakaa sitten liipaisinta.

### **TYÖKALUN PITÄÄ LAUETA.**

E) Pitäkää varmistin painettuna työkappaletta vasten ja painakaa liipaisinta uudelleen.

### **TYÖKALU EI SAA LAUETA.**

yhdenmukaisuutta.

## **JATKUVAN KOSKETUSAKTIVOINNIN KÄYTTÖ:**

A) Sormi pois liipaisimelta painakaa varmistin työkappaleen pintaa vasten.

### **TYÖKALU EI SAA LAUETA.**

B) Nostakaa työkalu irti työkappaleesta ja painakaa liipaisinta osoittamatta työkalulla itseänne tai muita.

### **TYÖKALU EI SAA LAUETA.**

C) Painakaa liipaisinta työkalun ollessa irti työkappaleesta. Painakaa varmistin työkappaleen pintaa vasten ja liikuttakaa työkalua poikittain tai edestakaisin.

### **TYÖKALUN PITÄÄ LAUETA JA JATKAA**

### **LAUKOMISTA, KUNNES JOKO LIIPAISIN VAPAUTETAAN TAI TYÖKALU NOSTETAAN KAPPALEEN PINNASTA.**

D) Koskettamatta liipaisimeen painakaa varmistin kappaleen pintaa vasten ja painakaa sitten liipaisinta.

### **TYÖKALUN PITÄÄ LAUETA JA JATKAA**

### **LAUKOMISTA, KUNNES JOKO LIIPAISIN VAPAUTETAAN TAI TYÖKALU NOSTETAAN KAPPALEEN PINNASTA.**

## **TYÖKALUN KÄYTTÖ**

Sen jälkeen, kun työkalun toiminta on tarkistettu edellä kuvatulla tavalla, painakaa työkalun kärki työkappaletta vasten ja painakaa liipaisinta. Varmistukaa, että kiinnike on laukaistu oikealla tavalla.

• Jos kiinnike ei ole painunut tarpeeksi syväälle, nostakaa ilmanpainetta 0,5 baaria (5–6 psi) kerrallaan

tarkistaen tuloksen joka säädön jälkeen. Älkää yllitäkö suurinta sallittua käyttöpainetta (kts. Työkalun tekniset tiedot)

• Jos kiinnike on painunut liian syväälle, vähentäkää ilmanpainetta 0,5 baaria (5–6 psi) kerrallaan tarkistaen tuloksen joka säädön jälkeen. Älkää alittako suositeltua vähimmäiskäyttöpainetta (kts. Työkalun tekniset tiedot).

Yrittäkää aina käyttää mahdollisimman pientä ilmanpainetta. Tämä vähentää melua ja tuotteen ääriä sekä pidentää laitteen sisäosien käyttöikää.

## **KÄYTTÖOHJEIDEN SISÄLTÄMIEN TURVAVAROITUSTEN LISÄKSI NOUDATTAKAA SEURAAVIA TURVAOHJEITA:**

• BOSTITCH-naulaintyökalua tulee käsitellä sinä mikä se on: työkalu. Se ei ole lelu, älkää siis leikitelkö sillä.

• Käyttäkää BOSTITCHin paineilmalla toimivaa työkalua ainoastaan sen varsinaisia käyttötarkoituksia varten.

• Älkää koskaan käyttäkö työkalua siten, että kiinnike voisi osoittaa itse käyttäjää tai muita työalueella olevia henkilöitä kohti.

• Älkää käyttäkö työkalua vasarana.

• Kantakaa työkalua aina kahvasta. Älkää kantako työkalua ilmaletkusta. Älkää koskaan kuljettako työkalua liipaisin alapainettuna.

• Älkää tehkö työkaluun muutoksia tai muuntako sen alkuperäistä rakennetta tai toimintaa ilman BOSTITCHin kirjallista lupaa.

• Muistakaa aina, että työkalun asiaankuuluvaton käyttö tai sen huolimaton käyttö voi aiheuttaa vaurioita teille itsellenne ja muille.

• Älkää koskaan kiinnittäkö tai teipatko liipaisinta tai varmistinta aktivointiasentoon.

• Älkää koskaan jättäkö työkalua valvomatta paineilmaletkun ollessa kytkettyinä.

• Älkää käyttäkö työkalua, ellei VAROITUSMERKKI ole täysin luettavissa.

• Älkää jatkako sellaisen työkalun käyttämistä, jossa on ilmavuoto tai joka ei muuten toimi moitteettomasti. Tehkää ilmoitus lähimmälle BOSTITCH-edustajalle, jos työkalussa esiintyy jatkuvasti toimintahäiriöitä.

• Toiminnan aikana pitäkää työkalua siten, ettei käyttäjän pää tai keho pääse loukkaantumaan, jos työkalu kimmahtaa liian voimakkaasti syöttöpaineen putoamisen tai kappaleesta olevien kovien kohtien vuoksi.

• Älkää työskennelkää työkalupaleen kulmien tai reunojen lähellä. Kiinnike voisi mennä kappaleen ohi, josta voi seurata vahinko.

• Ennen työkalun siirtämistä katkaiskaa paineilman syöttö.

• Tarkistakaa varmistimen (jos kuuluu varusteluun) ja liipaisimen toimivuus.

• Älkää purkako tai lukitko mitään työkalun osaa, etenkin varmistinta.

• Vältä kää heikentämästä työkalua stanssauksilla tai kaiverruksilla.



• Älä käytä työkalua viallisten, vahingoittuneiden tai kuluneiden paineilmaletkujen ja -liittimien kanssa.



• Älkää kantako työkalua ilmaletkusta.

• Olkaa varovaisia paineilmatyökalujen käytössä, sillä työkalu voi kylmetä, mikä vaikuttaa otteeseen ja hallintaan.

### Toistuvien liikkeiden vaarat

• Työkalua pitkään käyttäessään saattaa käyttäjä kokea käsien, hartioiden, niskan ja muiden ruumiinjäsenten kipeytymistä.

Seuraavat pätevät:

• Työkalua käyttäessään tulee käyttäjän omaksua sopiva ergonominen asento. Käyttäjän tulee säilyttää tukeva jalansija ja välttää hankalia tai tasapainottomia asentoja.

• Jos käyttäjä kokee seuraavanlaisia oireita: jatkuvaa tai toistuvaa kipeytymistä, kipua, jomotusta, särkyä, pistelyä, puutumista, polttelua tai jäykkyyttä, älkää jättäkö niitä huomiotta: Käyttäjän tulee neuvotella pätevän terveydenhuollon ammattilaisen kanssa toiminnasta.

### Työpaikan vaarat

• Liukastuminen, kompastuminen ja kaatuminen ovat tärkeitä työpaikkavammojen syitä: Olkaa tietoinen työkalun käytön aiheuttamasta pintojen liukkaudesta sekä paineilmaletkun aiheuttamista kompastumisvaaroista.

• Toimikaa erityisen varovasti vieraassa ympäristössä. Siellä saattaa olla näkymättömiä vaaroja, kuten sähkö- tai kaasujohtoja.

• Tätä työkalua ei ole tarkoitettu käytettäväksi räjähdysvaarallisessa ilmaseoksessa eikä sitä ole eristetty sähkövirtakosketukselta.

• Varmistakaa, ettei työskentelyalueella ole sähköjohtoja, kaasuputkia yms., jotka voisivat työkalun käytön vaurioittamana aiheuttaa vaaran.

### Jäännösriskit

Näiden koneiden käyttöön sisältyy seuraavia riskejä:

• Työkalun asiattoman käytön aiheuttama loukkaantuminen.

• Riittämättömän lujasta otteesta johtuva hallinnanmenetys.

• Käsilihasien rasittuminen etenkin pään yläpuolelle kurkotettaessa. Pitäkää aina säännöllisiä taukoja, kun työskentelette pitkiä aikoja kerrallaan.

• Asianmukaisten turvamääräysten noudattamisesta ja turvalaitteiden toteuttamisesta huolimatta ei eräitä jäännösriskejä voida välttää. Näitä ovat

• Kuulon heikentyminen

• Lentävistä hiukkasista johtuvan loukkaantumisen riski

• Lisävarusteiden käytössä kuumenemisestä johtuvien palovammojen riski.

• Pitkällisestä käytöstä johtuvan loukkaantumisen riski

• Rekylin aiheuttama hallinnanmenetys.

• Työkalupaleen puristuskohtien, terävien reunojen ja virheellisen käsittelyn aiheuttama loukkaantumisriski.

• Terävien reunojen aiheuttama loukkaantumisriski nauloja vaihdettaessa tai naulariviä ladattaessa.

### MELUISUUS (Kts. Työkalun tekniset tiedot)

Työkalun meluarvot noudattavat yhdenmukaisuusnormia EN 12549 - "Meluisuus - Naulaintyökalun melu- ja värähtelyolosuhteiden mittaaminen".

Nämä arvot koskevat itse työkalua eivätkä ne kuvaa melun kehittymistä käyttökohtassa. Melunkehitys tietyntä käyttöä varten riippuu esimerkiksi työympäristöstä, työkalupaleesta, työkalupaleen tuesta, naulaustoimintojen lukumäärästä yms.

Työympäristön ja työkalupaleen muodon perusteella voidaan tarvita yksilöllistä suojausta melulta, kuten työkalupaleiden asettaminen melua vaimentaville tuille, kappaleen tärinän estäminen lukituksella tai peitteillä, paineilman säätäminen minimiin tietyntä työn vaatimusten osalta jne.

### TÄRINÄÄ KOSKEVIA TIETOJA (Kts. Työkalun tekniset tiedot)

Työkalulle ominainen tärinäarvo on todettu normin ISO/WD 8662-11 "Tärinän mittaaminen käskihavalla

varustetuista moottorityökaluista – Osa 11,  
Naulaintyökalut” mukaisesti.

Tämä arvo koskee työkalua eikä se kuvaa käteen  
kohdistuvaa vaikutusta työkalua käytettäessä. Vaikutus

käteen työkalua käytettäessä riippuu esimerkiksi otteen  
voimakkuudesta, kosketusvoimasta, toimintasuunnasta,  
paineilmasyötön säädöstä, työkappaleesta, E  
työkappaleen tuesta yms.

FR Reproduction interdite sans permission préalable. Les copies non autorisées de ce document ne signifient en  
rien que les produits soient conformes aux normes CE.

DE Vervielfältigung nicht ohne Genehmigung gestattet. Unzulässig erstellte Kopien dieses Dokuments erfüllen nicht  
die CE-Richtlinien für Produkte.

NL Mag niet worden vermenigvuldigd zonder toestemming. Onrechtmatige kopieën van dit document willen niet  
zeggen dat de producten voldoen aan de CE-voorschriften.

DK Må ikke gengives uden tilladelse. Uautoriserede kopier af dette dokument udgør ikke CE-overholdelse for  
produkterne.

FI Ei saa jäljentää ilman lupaa. Tämän asiakirjan ilman luvallista tehtyjen kopioiden ei voida muodostaa tuotteille CE-  
yhdenmukaisuutta.

GR Απαγορεύεται η αναπαραγωγή χωρίς την ηθική άδεια. Τα μη εξουσιοδοτημένα  
αντίγραφα του παρόντος εγγράφου δεν αποτελούν συμμόρφωση CE για τα προϊόντα.

IT Vietata la riproduzione senza permesso. Le copie non autorizzate di questo documento non garantiscono la  
conformità CE per i relativi prodotti.

NO Skal ikke reproduseres uten tillatelse. Ikke godkjente kopier av dette dokumentet oppfyller ikke kravene for  
CE-merking for produktet.

A) Paineilmajärjestelmään

B) Pääletkut (3 x työkalun sisääntulon koko)

C) Paineilmatyökaluun

D) Hätäluistiventtiili

E) Voitelulaite

F) Säädin

G) Haaraletku (2 x työkalun sisääntulon koko)

H) Viemäri

I) Kompressorin

J) Suodatin

K) 1/4" NPT suurvirtausyhde

L) Ilmaletku 3/8" (10 mm) sh. min.

## TYÖKALUN KÄYTTÖNOTTO

Ilmakompressorin ja ilmanvoitelulaitteen väliin  
pitää sijoittaa ilmansuodatin (J), jotta työkalu saa  
puhdasta paineilmaa. Vesi ja lika voi vahingoittaa  
paineilmatyökaluja (kts. edellä olevaa kaaviota).

## VIANETSINTÄ JA HUOLTO

Korjaukset tulee suorittaa ainoastaan BOSTITCHin  
valtuuttamien teknikoiden tai muiden ammattimiesten  
toimesta ja tämän käsikirjan turvallisuus-, käyttö- ja  
huolto-ohjeita, erityistä työkalun käyttöopasta ja  
työkalun teknisiä tietoja noudattaen.

• Kytkeää työkalu irti paineilmajärjestelmästä ja  
tyhjentää täydellisesti lipas, ennen kuin suoritate

mitään huolto- tai korjaustoimia. Noudattakaa  
käyttöohjeita ja varoituksia. Ottakaa huomioon  
työkalun tekniset ominaisuudet ja käsitelkää varovasti  
työkaluja, joissa esiintyy ongelmia.

• Vain alkuperäisiä BOSTITCH-varaosia tulee käyttää.  
Älkää käyttäkö muunnettuja osia tai osia, jotka eivät  
täytä alkuperäisten varaosien suoritusvaatimuksia.

• Työkalua huollettaessa varmistukaa, että sen sisäosat  
ovat puhtaat ja voidellut. Käyttäkää Parker "O"  
Lube -voiteluainetta tai vastaavaa tuotetta kaikkiin  
O-renkaisiin. Sivelkää jokainen O-renkas "O" Lube  
voiteluaineella ennen paikalleen asentamista.  
Pankaa pieni määrä öljyä kaikkiin liikkuviin osiin ja  
tappeihin. Lisätäkää kokoamisen jälkeen muutama tippa  
BOSTITCH Air Tool Lubricant -öljyä paineilmaletkun  
kautta ennen testausta.

• Työkälun huoltoa koskevia lisäohjeita löytyy Työkälun teknisistä tiedoista.

• Jos ongelmaa ei voi ratkaista jäljempänä esitetyn oppaan avulla, ottakaa yhteyttä lähimpään BOSTITCH-edustajaan tai -jälleenmyyjään.

GR Not to be reproduced without permission. Unauthorised copies of this document do not constitute CE  
 FR Reproduction interdite sans permission préalable. Les copies non autorisées de ce document ne signifient en rien que les produits soient conformes aux normes CE.

ONGELMA	SYY	KORJAUS
Työkälun ei toimi	Rajoittunut ilmansyöttö	Tarkastakaa ilmansyöttölaitteisto
	Työkälun kuiva, voitelun puute	Käyttäkää BOSTITCH-voiteluainetta
	Männän O-renkaat kuluneet (jos laitteessa)	Vaihtakaa O-renkaat
	Sylinterikannen jousi rikki	Vaihtakaa sylinterikannen jousi
	Pääventtiili (jos laitteessa) tarttunut kanteen	Purkakaa/Tarkastakaa/Voidelkaa
Teho puuttuu; toiminta hidasta	Ilmanpaine liian alhainen	Tarkastakaa ilmansyöttölaitteisto
	Työkälun kuiva, voitelun puute	Käyttäkää BOSTITCH-voiteluainetta.
	Sylinterikannen jousi rikki	Vaihtakaa sylinterikannen jousi
	O-renkaat/tiivisteet rikki tai halkeilleet	Vaihtakaa O-renkaat/tiivisteet
	Poistoaukko tukossa	Tarkastakaa puskuri, pääventtiilin jousi, äänenvaimennin
	Lipaisinyksikkö kulunut/vuotaa	Vaihtakaa lipaisinyksikkö
	Sylinteriputki ei ole asettunut oikein	Purkakaa ja korjatkaa
	Pääventtiili kuiva	Purkakaa / voidelkaa
Ilmavuoto lipaisimen venttiilin kotelossa	O-rengas rikki tai halkeillut	Vaihtakaa O-rengas
Ilmavuoto lipaisimen venttiilinvarressa	O-renkaat/tiivisteet rikki tai halkeilleet	Vaihtakaa O-renkaat/tiivisteet
Ilmavuoto rungossa/kärjessä	O-rengas tai tiiviste rikki tai halkeillut	Vaihtakaa O-rengas tai tiiviste
	Puskuri haljennut/kulunut	Vaihtakaa puskuri
Ilmavuoto rungossa/kannessa	Tiiviste vaurioitunut	Vaihtakaa tiiviste
	Pääventtiilin puskuri haljennut/kulunut	Vaihtakaa puskuri
	Ruuvit löystyneet	Kiristäkää ja tarkistakaa

ONGELMA	SYY	KORJAUS
GI Kiinnikkeitä jää välistä; syöttö jaksoista	Puskuri kulunut	Vaihtakaa puskuri
FR Reproduction interdite sans permission préalable. Les copies non autorisées des produits ne sont conformes aux normes CE que si les produits sont conformes aux normes CE.	Ilma rajoittunut/pikaliittimen läpi kulkeva ilmavirtaus ei riitä	Vaihtakaa pikairrotusliittimet
DE Vervielfältigung nicht ohne Genehmigung zulässig. Unzulässig erstellte Kopien dieses Dokuments erfüllen nicht die CE-Richtlinien für Produkte.	Männän O-rengas kulunut (jos laitteessa)	Vaihtakaa O-rengas, tarkistakaa iskuri
NL Mag niet worden vermenigvuldigd of gereproduceerd zonder de CE-vereisten te zeggen dat de producten voldoen aan de CE-vereisten.	Työntöjousi vahingoittunut	Vaihtakaa jousi
DK Må ikke gengives uden tilladelse. Kopier af dette dokument er kun tilladelse for produktene.	Ahainen ilmanpaine	Tarkastakaa työkalun ilmansyöttö
FI Ei saa jäljentää ilman lupaa. Tämä on virheellinen kopio, jota ei saa käyttää ilman valtuutusta tehtyjen kopioiden luomiseen.	Lippaan kärkiruuvit löystyneet	Kiristää kaikki ruuvit
GR Απαγορεύεται η αναπαραγωγή χωρίς προηγούμενη άδεια. Τα μη εξουσιοδοτημένα αντίγραφα του παρόντος εγγράφου δεν αποτελούν συμπλήρωση CE για τα προϊόντα.	Kiinnikkeet liian lyhyitä työkalua varten	Käyttäkää vain suositeltuja kiinnikkeitä
IT Vietata la riproduzione senza permesso. Le copie non autorizzate di questo documento non garantiscono la conformità CE per i relativi prodotti.	Kiinnikkeet vääntyneitä	Lopettakaa tällaisten kiinnikkeiden käyttö
NO Skal ikke reproduseres uten tillatelse. Ikke godkjente kopier av dette dokumentet kan ikke garantere CE-merking for produktet.	Kiinnikkeet vääränkokoisia	Käyttäkää vain suositeltuja kiinnikkeitä
PT Reprodução proibida sem autorização. As cópias não autorizadas não garantem a conformidade com a CE para os produtos.	Vuotava kansitiivistet	Kiristää ruuvit / vaihtakaa tiivisteet
ES Prohibida la reproducción sin permiso. Las copias no autorizadas de este documento no suponen la conformidad con las normas CE de los productos.	Liipaisimen venttiilin O-rengas rikki/kulunut	Vaihtakaa O-rengas
SE Prohibida la reproducción sin permiso. Las copias no autorizadas de este documento no suponen la conformidad con las normas CE de los productos.	Iskuri rikki/lohjennut	Vaihtakaa iskuri (tarkastakaa männän O-rengas)
PL Niniejszy dokument nie może być kopiowany bez pozwolenia. Nieautoryzowane kopie niniejszego dokumentu nie stanowią deklaracji zgodności CE prezentowanych produktów.	Lipas kuiva/likainen	Puhdistakaa/voidelkaa BOSTITCH-voiteluaineella
CZ Niniejszy dokument nie może być kopiowany bez pozwolenia. Nieautoryzowane kopie niniejszego dokumentu nie stanowią deklaracji zgodności CE prezentowanych produktów.	Lipas kulunut	Vaihtakaa lipas
SK Rozmnožovanie bez povolenia je zakázané. Neoprávnené kópie tohto dokumentu nie sú v súlade s CE pre daný výrobky.	Kiinnikkeet vääränkokoisia	Käyttäkää vain suositeltuja kiinnikkeitä
HU A dokumentum engedély nélkül nem sokszorosítható. Az engedély nélkül sokszorosított dokumentum nem jelenti a termék CE-megfelelőségét.	Kiinnikkeet vääntyneitä	Lopettakaa tällaisten kiinnikkeiden käyttö
RO Reproducerea neautorizată este interzisă. Copiile neautorizate ale acestui document nu reprezintă conformitatea CE pentru produse.	Lipas/kärkiruuvit löystyneet	Kiristää kaikki ruuvit
	Iskuri rikki/lohjennut	Vaihtakaa iskuri (tarkastakaa männän O-rengas)

## ΕΓΧΕΙΡΙΔΙΟ ΓΙΑ ΤΗΝ ΑΣΦΑΛΕΙΑ ΚΑΙ ΤΗ ΛΕΙΤΟΥΡΓΙΑ



ΠΡΙΝ ΤΗ ΛΕΙΤΟΥΡΓΙΑ ΑΥΤΟΥ ΤΟΥ ΕΡΓΑΛΕΙΟΥ ΟΛΟΙ ΟΙ ΧΕΙΡΙΣΤΕΣ ΘΑ ΠΡΕΠΕΙ ΝΑ ΔΙΑΒΑΣΟΥΝ ΜΕ ΠΡΟΣΟΧΗ ΤΟ ΠΑΡΟΝ ΕΓΧΕΙΡΙΔΙΟ ΚΑΙ ΤΑ ΤΕΧΝΙΚΑ

ΧΑΡΑΚΤΗΡΙΣΤΙΚΑ ΤΟΥ ΕΡΓΑΛΕΙΟΥ ΩΣΤΕ ΝΑ ΚΑΤΑΝΟΗΣΟΥΝ ΚΑΙ ΝΑ ΤΗΡΟΥΝ ΤΙΣ ΠΡΟΕΙΔΟΠΟΙΗΣΕΙΣ ΚΑΙ ΤΙΣ ΟΔΗΓΙΕΣ ΓΙΑ ΤΗΝ ΑΣΦΑΛΕΙΑ. ΦΥΛΑΞΤΕ ΑΥΤΕΣ ΤΙΣ ΟΔΗΓΙΕΣ ΜΑΖΙ ΜΕ ΤΟ ΕΡΓΑΛΕΙΟ ΓΙΑ ΜΕΛΛΟΝΤΙΚΗ ΑΝΑΦΟΡΑ. ΣΕ ΠΕΡΙΠΤΩΣΗ ΕΡΩΤΗΣΕΩΝ, ΕΠΙΚΟΙΝΩΝΗΣΤΕ ΜΕ ΤΟΝ ΤΟΠΙΚΟ ΑΝΤΙΠΡΟΣΩΠΟ Ή ΔΙΑΝΟΜΕΑ ΤΗΣ BOSTITCH.

ΠΡΙΝ ΘΕΣΕΤΕ ΣΕ ΛΕΙΤΟΥΡΓΙΑ ΑΥΤΟ ΤΟ ΕΡΓΑΛΕΙΟ, ΑΝΑΤΡΕΞΤΕ ΣΤΟΝ ΠΙΝΑΚΑ ΔΕΔΟΜΕΝΩΝ ΤΟΥ ΕΡΓΑΛΕΙΟΥ, ΣΤΗΛΗ L ΣΤΟ ΕΓΧΕΙΡΙΔΙΟ ΤΕΧΝΙΚΩΝ ΧΑΡΑΚΤΗΡΙΣΤΙΚΩΝ ΓΙΑ ΝΑ ΠΡΟΣΔΙΟΡΙΣΕΤΕ ΤΟ ΛΕΙΤΟΥΡΓΙΚΟ ΣΥΣΤΗΜΑ ΤΟΥ ΕΡΓΑΛΕΙΟΥ ΣΑΣ.

**Αυτά τα εργαλεία στερέωσης συνδετήρων είναι επαγγελματικά ηλεκτρικά εργαλεία.**

ΜΗΝ αφήνετε παιδιά να έρθουν σε επαφή με το εργαλείο. Απαιτείται επίβλεψη όταν το εργαλείο χρησιμοποιείται από μη έμπειρους χρήστες.

• Μικρά παιδιά και σωματικά καταβεβλημένα άτομα.

Αυτή η συσκευή δεν προορίζεται για χρήση από μικρά παιδιά ή σωματικά καταβεβλημένα άτομα χωρίς επίβλεψη.

• Αυτό το προϊόν δεν προορίζεται για χρήση από άτομα (περιλαμβανομένων παιδιών) με μειωμένες σωματικές, αισθητηριακές ή διανοητικές ικανότητες, ή με έλλειψη εμπειρίας και γνώσης, εκτός αν τους επιβλέπει άτομο υπεύθυνο για την ασφάλειά τους. Τα παιδιά δεν πρέπει να μένουν ποτέ μόνο τους με αυτό το προϊόν.

• Μόνο τεχνικά εκπαιδευμένοι χειριστές θα πρέπει να χρησιμοποιούν το εργαλείο στερέωσης συνδετήρων.

• Μην τροποποιείτε το εργαλείο στερέωσης συνδετήρων. Οι τροποποιήσεις ενδέχεται να μειώσουν την αποτελεσματικότητα των μέτρων ασφαλείας και να αυξήσουν τους κινδύνους προς τον χειριστή ή/και τους παρευρισκόμενους.

Τα εργαλεία της BOSTITCH κατασκευάζονται με μεγάλη ακρίβεια και προορίζονται για τη στερέωση μεγάλων όγκων και υψηλής ταχύτητας. Όταν χρησιμοποιούνται σωστά και με προσοχή παρέχουν αποτελεσματικές και αξιόπιστες υπηρεσίες.

Όπως με όλα τα ηλεκτρικά εργαλεία, θα πρέπει να ακολουθούνται οι οδηγίες του κατασκευαστή για να επιτυγχάνονται τα καλύτερα δυνατά αποτελέσματα. Παρακαλούμε μελετήστε τις οδηγίες που περιλαμβάνονται στο εγχειρίδιο αυτό και φροντίστε να κατανοήσετε τις προειδοποιήσεις και επισημάνσεις προσοχής σε σχέση με την ασφάλεια πριν θέσετε το εργαλείο σε λειτουργία. Διαβάστε προσεκτικά τις οδηγίες εγκατάστασης, λειτουργίας και συντήρησης και φυλάξτε τα εγχειρίδια για μελλοντική αναφορά. Σημείωση: Πιθανόν να απαιτούνται επιπρόσθετα μέτρα ασφαλείας, ανάλογα με τη συγκεκριμένη χρήση του εργαλείου. Αν έχετε οποιοσδήποτε απορίες σε σχέση με το εργαλείο και τη χρήση του, επικοινωνήστε με τον αντιπρόσωπο ή διανομέα της Bostitch.

### Δ ΣΗΜΕΙΩΣΗ:

Τα εργαλεία της Bostitch έχουν σχεδιαστεί με τέτοιο τρόπο ώστε να παρέχουν άριστη ικανοποίηση των πελατών και να αποδίδουν στο μέγιστο των δυνατοτήτων τους όταν χρησιμοποιούνται με ακρίβεια. Οι συνδετήρες της Bostitch κατασκευάζονται με βάση τα ίδια ακριβώς πρότυπα.

**Η BOSTITCH δεν αναλαμβάνει οποιαδήποτε ευθύνη για την απόδοση του προϊόντος σε περίπτωση που οποιοδήποτε από τα εργαλεία μας χρησιμοποιηθεί με συνδετήρες ή αξεσουάρ που δεν πληρούν τις ειδικές απαιτήσεις που υπάρχουν σε σχέση με τα γνήσια καρφιά, συνδετήρες και αξεσουάρ της BOSTITCH.**

### ΠΕΡΙΟΡΙΣΜΕΝΗ ΕΓΓΥΗΣΗ

BOSTITCH είναι σίγουρη για την ποιότητα των προϊόντων της και προσφέρει εγγύηση για τους επαγγελματίες χρήστες του προϊόντος. Αυτή η εγγύηση είναι πρόσθετο δικαίωμά σας και δεν ζημιώνει τα συμβατικά δικαιώματά σας ως επαγγελματία χρήστη ή τα προβλεπόμενα δικαιώματά σας ως μη επαγγελματία χρήστη. Η εγγύηση ισχύει εντός της επικράτειας των χωρών μελών της Ευρωπαϊκής Ένωσης και της Ευρωπαϊκής Ζώνης Ελευθερών Συναλλαγών.

Αν εντός 12 μηνών από την ημερομηνία αγοράς, το προϊόν σας BOSTITCH καταστεί ελαττωματικό λόγω ελαττώματος στα υλικά ή την εργασία, η BOSTITCH εγγυάται ότι θα αντικαταστήσει όλα τα ελαττωματικά εξαρτήματα χωρίς χρέωση ή - κατά την κρίση μας - θα αντικαταστήσει τη μονάδα χωρίς χρέωση εφόσον:



## ⚠ ΟΔΗΓΙΕΣ ΑΣΦΑΛΕΙΑΣ



Ο χειριστής του εργαλείου και οποιαδήποτε άλλα άτομα βρίσκονται στην περιοχή εργασίας θα πρέπει πάντα να χρησιμοποιούν ΜΕΣΑ ΠΡΟΣΤΑΣΙΑΣ ΤΩΝ ΜΑΤΙΩΝ κατά τη φόρτωση, λειτουργία και συντήρηση του εργαλείου αυτού. Αυτά παρέχουν προστασία από τα σωματίδια που εκτινάσσονται τόσο από την ΜΠΡΟΣΤΙΝΗ πλευρά όσο και από τα ΠΛΑΓΙΑ. Τα μέσα προστασίας των ματιών είναι απαραίτητα για προστασία κατά των εκτινασόμενων συνδετήρων και των απορριμμάτων που θα μπορούσαν να προκαλέσουν σοβαρό τραυματισμό στα μάτια. Ο εργοδότης ή/και ο χρήστης θα πρέπει να διασφαλίζουν ότι χρησιμοποιούνται τα κατάλληλα μέσα προστασίας των ματιών.

Τα μέσα προστασίας των ματιών που χρησιμοποιούνται θα πρέπει να συμμορφώνονται με το πρότυπο 89/686/ΕΕC, και να είναι ίσου ή μεγαλύτερου βαθμού από αυτόν που καθορίζεται στο EN166. Ωστόσο, όλοι οι τομείς εργασίας των χειριστών, το περιβάλλον, καθώς και οποιαδήποτε άλλα είδη μηχανημάτων που χρησιμοποιούνται θα πρέπει να λαμβάνονται υπόψη κατά την επιλογή οποιωνδήποτε μέσω ατομικής προστασίας.



**ΠΡΟΣΟΧΗ:** Σε συγκεκριμένα περιβάλλοντα πιθανόν να χρειάζονται **ΕΠΙΠΡΟΣΘΕΤΑ ΜΕΣΑ ΠΡΟΣΤΑΣΙΑΣ ΓΙΑ ΑΣΦΑΛΕΙΑ**. Για παράδειγμα, ο χώρος εργασίας μπορεί να απαιτεί την έκθεση σε επίπεδα θορύβου που πιθανόν να προκαλέσουν προβλήματα στην ακοή. Ο εργοδότης και ο χρήστης θα πρέπει να φροντίσουν έτσι ώστε οι χειριστές και όλοι όσοι βρίσκονται στον χώρο εργασίας να έχουν και να χρησιμοποιούν τα απαραίτητα μέσα προστασίας της ακοής. Σε ορισμένα περιβάλλοντα απαιτείται η χρήση προστατευτικού εξοπλισμού για το κεφάλι. Όταν απαιτείται, ο εργοδότης και ο χρήστης θα πρέπει να διασφαλίσουν ότι χρησιμοποιείται η εν λόγω προστασία για το κεφάλι.

- Το προϊόν δεν έχει τύχει κακής μεταχείρισης
- Το προϊόν έχει υποβληθεί σε φυσιολογική φθορά
- Οι λεπίδες, οι προφυλακτικές και οι δακτύλιοι κυκλικής διατομής (O-rings) θεωρούνται εξαρτήματα που υποβάλλονται σε φυσιολογική φθορά και εξαιρούνται • Δεν έχουν επιχειρηθεί επισκευές από μη εξουσιοδοτημένα άτομα
- Έχει παρουσιαστεί απόδειξη αγοράς
- Το προϊόν επιστρέφεται πλήρες με όλα τα αρχικά μέρη του • Το προϊόν επιστρέφεται με δικά σας έξοδα μαζί με την απόδειξη αγοράς στο τοπικό κέντρο επισκευών μας ή σε εξουσιοδοτημένο κέντρο εγγύησης.

Αν επιθυμείτε να υποβάλετε μια αξίωση επί της εγγύησης, απευθυνθείτε στον πωλητή ή ελέγξτε τη θέση του πλησιέστερου εξουσιοδοτημένου αντιπροσώπου επισκευών της BOSTITCH στον κατάλογο της BOSTITCH ή απευθυνθείτε στο τοπικό σας γραφείο της BOSTITCH στη διεύθυνση που αναφέρεται στο παρόν εγχειρίδιο.

Απαγορεύεται η αναπαραγωγή χωρίς προηγούμενη άδεια. Το παρόν έγγραφο δεν αποτελεί σύμφωνο προς το CE.

### ΕΙΔΙΚΕΣ ΑΝΑΦΟΡΕΣ

Μόνο οι συνδετήρες που αναφέρονται στις οδηγίες λειτουργίας (Βλέπε Τεχνικά χαρακτηριστικά του εργαλείου), θα πρέπει να χρησιμοποιούνται με το εργαλείο. Για λόγους ασφαλείας, το εργαλείο και οι καθορισμένοι συνδετήρες θα πρέπει να θεωρούνται ως ένα ενιαίο σύστημα ασφάλειας.

Πάντα να ελέγχετε το εργαλείο πριν τη χρήση για μέρη που έχουν σπάσει, αποσυνδεθεί ή φθαρεί.

Οι επισκευές πρέπει να γίνονται μόνο από εξουσιοδοτημένους αντιπροσώπους της BOSTITCH ή από άλλους ειδικούς, έχοντας λάβει υπόψη τις οδηγίες ασφαλείας, λειτουργίας και συντήρησης του εγχειριδίου αυτού, το ειδικό εγχειρίδιο του εργαλείου, καθώς και τα Τεχνικά Χαρακτηριστικά του Εργαλείου.

**Σημείωση:** Ειδικοί θεωρούνται τα άτομα τα οποία, λόγω επαγγελματικής κατάρτισης ή πείρας, έχουν αποκτήσει επαρκείς γνώσεις στον τομέα της χειρισμού εργαλείων στερέωσης συνδετήρων ώστε να είναι σε θέση να αξιολογήσουν την ασφαλή κατάσταση των εργαλείων στερέωσης συνδετήρων.

Τα στηρίγματα και οι διατάξεις που χρησιμοποιούνται για την στερέωση του εργαλείου σε ένα στηρίγμα, για παράδειγμα στο τραπέζι εργασίας, θα πρέπει να είναι σχεδιασμένα και κατασκευασμένα με τέτοιο τρόπο ώστε να σταθεροποιούν με ασφάλεια τα εργαλεία στερέωσης συνδετήρων με βάση την προβλεπόμενη χρήση, αποφεύγοντας για παράδειγμα ζημιές, παραποιήσεις ή εκτοπίσεις.

## ΚΙΝΔΥΝΟΙ ΑΠΟ ΤΟΝ ΘΟΡΥΒΟ

- Η έκθεση σε υψηλά επίπεδα θορύβου χωρίς προστασία είναι δυνατόν να προκαλέσει μόνιμη απώλεια ακοής και άλλα προβλήματα, όπως εμβοή (κουδούνισμα, βόμβο, σφύριγμα ή βούισμα στα αυτιά).
- Η αξιολόγηση κινδύνου σε αυτές τις περιπτώσεις και η εφαρμογή κατάλληλων μηχανισμών ελέγχου είναι ουσιαστική.

- Οι κατάλληλοι μηχανισμοί για τη μείωση του κινδύνου ενδέχεται να περιλαμβάνουν ενέργειες όπως η χρήση υλικού απόσβεσης κραδασμών, ώστε να αποτρέπει το «κουδούνισμα».

- Να χρησιμοποιείτε κατάλληλα προστατευτικά ακοής.

- Να χειρίζεστε και να συντηρείτε το εργαλείο όπως συνιστάται στις παρούσες οδηγίες, ώστε να αποτραπεί η άσκοπη αύξηση των επιπέδων του θορύβου.

- Αν το εργαλείο διαθέτει σιγαστήρα, πάντα να φροντίζετε να βρίσκεται σε εφαρμογή και σε καλή λειτουργική κατάσταση όταν το εργαλείο βρίσκεται σε λειτουργία.

## ΚΙΝΔΥΝΟΙ ΑΠΟ ΚΡΑΔΑΣΜΟΥΣ

- Οι πληροφορίες σχετικά με τη διεξαγωγή αξιολόγησης αυτών των κινδύνων και την εφαρμογή κατάλληλων μηχανισμών ελέγχου είναι ουσιαστικές.

- Η έκθεση σε κραδασμούς μπορεί να προκαλέσει αναπηρική βλάβη στα χέρια και στην τροφοδοσία αίματος στα χέρια και τους βραχίονες.

- Όταν εργάζεστε σε συνθήκες ψύχους, να φοράτε ζεστά ρούχα και να διατηρείτε τα χέρια σας ζεστά και στεγνά.

- Αν αισθανθείτε μούδιασμα, μυρμηγκισμα, πόνο ή λεύκανση του δέρματος στα δάκτυλα ή τα χέρια, αναζητήστε ιατρική συμβουλή από ειδικό στον τομέα της επαγγελματικής υγείας σε σχέση με τις συνολικές δραστηριότητές.

- Να χειρίζεστε και να συντηρείτε το εργαλείο όπως συνιστάται στις παρούσες οδηγίες, ώστε να αποτραπεί η άσκοπη αύξηση των επιπέδων των κραδασμών.

- Να κρατάτε το εργαλείο με ελαφριά αλλά ασφαλή λαβή επειδή ο κίνδυνος από τους κραδασμούς είναι μεγαλύτερος όταν η δύναμη της λαβής είναι αυξημένη.

## ⚠ ΟΔΗΓΙΕΣ ΑΣΦΑΛΕΙΑΣ ΓΙΑ ΠΑΡΟΧΗ ΑΕΡΑ ΚΑΙ ΣΥΝΔΕΣΕΙΣ



Μην χρησιμοποιείτε οξυγόνο και εύφλεκτα αέρα ως πηγή ενέργειας για πνευματικά εργαλεία.

Μην χρησιμοποιείτε εμφιαλωμένα αέρια ή παροχή αέρα όπου η μέγιστη πίεση στον αγωγό μπορεί ενδεχομένως να υπερβεί τη μέγιστη πίεση που αναφέρεται στο εγχειρίδιο του συγκεκριμένου εργαλείου, λόγω του ότι μπορεί να σπάσει το εργαλείο και να προκαλέσει ενδεχομένως τον τραυματισμό. Εάν η μέγιστη πίεση παροχής αέρα θα μπορούσε να ξεπεράσει αυτά τα επίπεδα πίεσης, τότε θα πρέπει να ενσωματώνεται στην παροχή αέρα μια βαλβίδα μείωσης της πίεσης με βαλβίδα ασφαλείας, η οποία θα πρέπει να έχει κατεύθυνση κατά της φοράς της κίνησης.

- Μην τραβάτε τη σκανδάλη και μην πιέζετε το ζυγό ασφαλείας κατά τη σύνδεση με την παροχή αέρα. Το εργαλείο μπορεί εκτελέσει κύκλο λειτουργίας, προκαλώντας πιθανό τραυματισμό.

- Ο συνδετήρας του εργαλείου δεν πρέπει να βρίσκεται υπό πίεση όταν η παροχή αέρα είναι αποσυνδεδεμένη. Εάν χρησιμοποιηθεί λανθασμένος σύνδεσμος, μπορεί να παραμείνει αέρας στο εργαλείο μετά την αποσύνδεση και έτσι θα μπορεί να στερεώνει συνδετήρες, ακόμα και μετά την αποσύνδεση της γραμμής αέρα, προκαλώντας ενδεχομένως τον τραυματισμό.

- Να αποσυνδέετε πάντα την παροχή αέρα:

- 1) Πριν κάνετε οποιοδήποτε ρυθμίσεις
- 2) Κατά την εκτέλεση εργασιών συντήρησης στο εργαλείο
- 3) Κατά την απομάκρυνση εμποδίων
- 4) Όταν το εργαλείο δεν χρησιμοποιείται
- 5) Κατά τη μετακίνηση σε άλλο χώρο εργασίας, καθώς μπορεί να γίνει ενεργοποίηση κατά λάθος, προκαλώντας ενδεχομένως τον τραυματισμό.

## ⚠ ΟΔΗΓΙΕΣ ΑΣΦΑΛΕΙΑΣ ΓΙΑ ΤΗ ΦΟΡΤΩΣΗ ΤΟΥ ΕΡΓΑΛΕΙΟΥ

Κατά τη φόρτωση του εργαλείου: 1) Μην τοποθετείτε ποτέ το χέρι ή οποιοδήποτε άλλο μέρος του σώματος στην περιοχή εκφόρτισης συνδετήρων του εργαλείου 2) Ποτέ μην στρέψετε το εργαλείο προς τον εαυτό σας ή προς άλλα άτομα 3) Μην τραβάτε τη σκανδάλη και μην πιέζετε το ζυγό ασφαλείας καθώς μπορεί να προκληθεί τυχαία ενεργοποίηση, προκαλώντας ενδεχομένως τον τραυματισμό.

**Σημείωση: Δείτε το ξεχωριστό Εγχειρίδιο τεχνικών χαρακτηριστικών του εργαλείου για**

## Ειδικές οδηγίες φόρτωσης και τις διαστάσεις των συνιστώμενων συνδετήρων.

GB Not to be reproduced without permission. Unauthorised

### ▲ ΟΔΗΓΙΕΣ ΑΣΦΑΛΕΙΑΣ ΓΙΑ ΤΗ ΛΕΙΤΟΥΡΓΙΑ ΤΟΥ ΕΡΓΑΛΕΙΟΥ

• Να χειρίζεστε πάντα το εργαλείο με προσοχή:

1) Μην παίζετε με το εργαλείο 2) Μην τραβάτε τη σκανδάλη εκτός και αν η μπίτη της είναι στραμμένη προς την επιφάνεια εργασίας 3) Φροντίστε ώστε οποιαδήποτε άλλα άτομα να βρίσκονται σε απόσταση ασφαλείας από το εργαλείο ενώ αυτό βρίσκεται σε λειτουργία, καθώς μπορεί να προκληθεί τυχαία ενεργοποίηση, προκαλώντας ενδεχομένως τον τραυματισμό.

• Ο χειριστής δεν πρέπει να κρατάει τραβηγμένη τη σκανδάλη σε εργαλεία εξοπλισμένα με ζυγό ασφαλείας (μερικές φορές ονομάζεται διάταξη ασφαλείας) παρά μόνο κατά τη διαδικασία στερέωσης, λόγω του ότι μπορεί να προκληθεί σοβαρός τραυματισμός σε περίπτωση που ο ζυγός ασφαλείας έρθει κατά λάθος σε επαφή με άτομο ή αντικείμενο, με αποτέλεσμα να το εργαλείο να εκτελέσει κύκλο λειτουργίας.

• Φροντίστε ώστε τα χέρια και το σώμα σας να βρίσκονται μακριά από την περιοχή εκφόρτισης του εργαλείου. Τα εργαλεία που είναι εξοπλισμένα με ζυγό ασφαλείας μπορεί να αναπηδήσουν από την παλινδρόμηση που προκαλείται από τη στερέωση ενός συνδετήρα και να προκληθεί στερέωση ενός δεύτερου συνδετήρα, προκαλώντας ενδεχομένως τον τραυματισμό.

• Να ελέγχετε συχνά τη λειτουργία του μηχανισμού του ζυγού ασφαλείας. Μη χρησιμοποιείτε το εργαλείο σε περίπτωση που ο βραχίονας δεν λειτουργεί σωστά, γιατί μπορεί να στερεωθεί κατά λάθος κάποιος συνδετήρας. Μην επεμβαίνετε στη σωστή λειτουργία του μηχανισμού του ζυγού ασφαλείας.

• Μη στερεώνετε συνδετήρες πάνω από άλλους συνδετήρες καθώς αυτό μπορεί να προκαλέσει παραμόρφωση των συνδετήρων, προκαλώντας ενδεχομένως τον τραυματισμό.

• Μη στερεώνετε συνδετήρες κοντά στην άκρη της επιφάνειας εργασίας, γιατί το ξύλο μπορεί να σπάσει επιτρέποντας στον συνδετήρα να εκτραπεί και προκαλώντας ενδεχομένως τον τραυματισμό.

• Μην υπερβαινείτε τη θέση ισορροπίας. Το εργαλείο αυτό θα πρέπει να χρησιμοποιείται μόνο σε ασφαλείς χώρους εργασίας. Να στέκεστε πάντα σε ασφαλή βάση και σε ισορροπημένη θέση.

• Διατηρείτε μακριά τους παρευρισκόμενους (όταν εκτελείτε εργασίες σε χώρο όπου υπάρχει πιθανότητα διέλευσης ατόμων). Επιστημάνετε με σαφήνεια τον χώρο λειτουργίας σας.

• Να χρησιμοποιείτε πάντα τη δεύτερη λαβή (αν παρέχεται).

• Να φοράτε μόνο γάντια που παρέχουν επαρκή αίσθηση της αφής και δυνατότητα ασφαλούς χειρισμού της σκανδάλης και οποιωνδήποτε διατάξεων ρύθμισης.

• Κατά τη διάρκεια της λειτουργίας, ενδέχεται να εκτοξευθούν απορρίμματα από το τεμάχιο εργασίας και το σύστημα πρόσδεσης/συρραφής.

• Να είστε προσεκτικοί κατά τον χειρισμό εργαλείων τα οποία δεν έρχονται σε επαφή με το τεμάχιο εργασίας, καθώς μπορεί να εκτοξευθούν ακούσια και να τραυματίσουν τον χειριστή ή/και κάποιον παρευρισκόμενο.

• Πάντα να βεβαιώνετε ότι το εργαλείο είναι δεσμευμένο με ασφαλή στο τεμάχιο εργασίας, και δεν υπάρχει περίπτωση να ολισθήσει.

• Να διατηρείτε ισορροπημένη στάση του σώματος και να στέκεστε σε σταθερή βάση.

• Πρέπει να χρησιμοποιούνται κατάλληλα προστατευτικά γυαλιά, ενώ συνιστάται η χρήση κατάλληλων γαντιών και προστατευτικού ρουχισμού.

### ▲ ΟΔΗΓΙΕΣ ΑΣΦΑΛΕΙΑΣ ΓΙΑ ΤΗ ΣΥΝΤΗΡΗΣΗ ΤΟΥ ΕΡΓΑΛΕΙΟΥ

Όταν εργάζεστε με εργαλεία αέρος, φροντίστε ώστε να λαμβάνετε υπόψη σας τις προειδοποιήσεις που περιλαμβάνονται στο εγχειρίδιο αυτό, στις ειδικές οδηγίες του εργαλείου, καθώς και στο ίδιο το εργαλείο. Να είστε ιδιαίτερα προσεκτικοί κατά την αξιολόγηση προβληματικών εργαλείων.

### ▲ ΠΑΡΟΧΗ ΑΕΡΑ ΚΑΙ ΣΥΝΔΕΣΕΙΣ

Κατά τη σύνδεση των εργαλείων με την παροχή αέρα, η περιοχή εκφόρτισης συνδετήρων του εργαλείου θα πρέπει να είναι στραμμένη μακριά από τον χειριστή και οποιαδήποτε άλλα άτομα βρίσκονται στην περιοχή εργασίας. Τοποθετήστε την περιοχή εκφόρτισης του εργαλείου πάνω από ένα δοκιμαστικό κομμάτι του υλικού με κατάλληλο πάχος το οποίο θα καλύπτει πλήρως τις διαστάσεις του συνδετήρα που πρόκειται να στερεωθεί. Φροντίστε ώστε τα χέρια/πόδια και το σώμα σας να βρίσκονται μακριά από την περιοχή εκφόρτισης του εργαλείου,

GR

και συνδέστε το εργαλείο με την παροχή αέρα.

Για την αποφυγή τυχαιάς ενεργοποίησης και ενδεχομένου τραυματισμού, να απουσιάζετε πάντα την παροχή αέρα:

1. Πριν κάνετε οποιοσδήποτε ρυθμίσεις.
2. Κατά την εκτέλεση εργασιών συντήρησης στο εργαλείο.
3. Κατά την απομάκρυνση εμποδίων.
4. Όταν το εργαλείο δεν χρησιμοποιείται.
5. Κατά τη μετακίνηση σε άλλο χώρο εργασίας, καθώς μπορεί να γίνει ενεργοποίηση κατά λάθος, προκαλώντας ενδεχομένως τον τραυματισμό.

• Οι συμπίστες θα πρέπει να έχουν τις κατάλληλες διαστάσεις ώστε να υπάρχει επαρκής πίεση και ροή όγκου για τη χρήση που πρόκειται να γίνει. Σε περίπτωση που μειωθεί η πίεση στην παροχή αέρα, πιθανόν να μειωθεί και η κινητήρια δύναμη του εργαλείου. Ανατρέξτε στα Τεχνικά χαρακτηριστικά του εργαλείου για τον καθορισμό της σωστής πίεσης για το εργαλείο.

• Οι γραμμές βιομηχανικού αέρα θα πρέπει να εγκατασταθούν με κλίση, με το πιο υψηλό σημείο τοποθετημένο κοντά στον συμπιεστή. Θα πρέπει να εγκατασταθούν παγίδες νερού εύκολης πρόσβασης στα πιο χαμηλά σημεία. Να αδειάζετε τις παγίδες νερού τουλάχιστον μία φορά την ημέρα, ή πιο συχνά, εάν απαιτείται. Η βρομιά και το νερό που περιέχονται στην παροχή αέρα είναι η κύρια αιτία φθοράς των πνευματικών εργαλείων. Τα σημεία σύνδεσης του εργαλείου θα πρέπει να είναι εφοδιασμένα με ένα φίλτρο/ρυθμιστή/μονάδα συντήρησης εγκαταστημένο κατευθείαν στο σημείο σύνδεσης. Το φίλτρο συμβάλλει στην επίτευξη της βέλτιστης απόδοσης και στην ελαχιστοποίηση της φθοράς. Το φίλτρο θα πρέπει να διαθέτει την κατάλληλη δυνατότητα παροχής για τη συγκεκριμένη εγκατάσταση. Το φίλτρο πρέπει να διατηρείται καθαρό για να είναι αποτελεσματικό όσον αφορά την παροχή πεπιεσμένου καθαρού αέρα στο εργαλείο. Συμβουλευτείτε τις οδηγίες του κατασκευαστή για την σωστή συντήρηση του φίλτρου σας. Ένα βρόμικο και φραγμένο φίλτρο θα προκαλέσει μείωση της πίεσης, το οποίο θα έχει ως αποτέλεσμα τη μείωση της απόδοσης του εργαλείου.

• Οι συνδέσεις από τις γραμμές βιομηχανικού αέρα με το εργαλείο θα πρέπει να ξεκινούν από το επάνω μέρος της γραμμής αέρα.

• Η κατάταξη της πίεσης λειτουργίας σε σωλήνες με αέρα θα πρέπει να ανέρχεται στα 10,6 Bar ή στο 150% της μέγιστης πίεσης που θα μπορούσε να παρασχεθεί στο σύστημα αέρα. Ο εύκαμπτος σωλήνας παροχής θα πρέπει να περιέχει σύνδεσμο που θα παρέχει «γρήγορη απουσύνδεση» από το αρσενικό βύσμα του εργαλείου.

• Βεβαιωθείτε ότι η πίεση που παρέχεται στο εργαλείο δεν υπερβαίνει την μέγιστη επιτρεπόμενη πίεση λειτουργίας, γνωστή ως  $p_s \text{ max}$ . (βλ. Τεχνικά χαρακτηριστικά του εργαλείου). Αρχικά, ρυθμίστε την πίεση που παρέχεται στη χαμηλότερη συνιστώμενη πίεση λειτουργίας (βλ. Τεχνικά χαρακτηριστικά του εργαλείου).

• Για να βεβαιωθείτε ότι το εργαλείο λειτουργεί κανονικά, τοποθετήστε τη μύτη του σε ξύλινη επιφάνεια και τραβήξτε τη σκανδάλη μία ή δύο φορές.

## ΛΙΠΑΝΣΗ

• Για να επιτυγχάνεται η μέγιστη δυνατή απόδοση, πρέπει να γίνεται συχνή αλλά όχι υπερβολική λιπάνση. Μπορείτε να λιπάνετε τα εσωτερικά μέρη προσθέτοντας λιπαντικό μέσω του συνδέσμου της γραμμής αέρα. Για περισσότερες λεπτομέρειες σε σχέση με το κατάλληλο λιπαντικό, βλ. Τεχνικά χαρακτηριστικά του εργαλείου. Μην χρησιμοποιείτε απορρυπαντικό λάδι ή πρόσθετες ύλες γιατί αυτά τα είδη λιπαντικού προκαλούν γρήγορη φθορά στις συγκολλήσεις και στους προφυλακτήρες του εργαλείου. Ως αποτέλεσμα, η απόδοση του εργαλείου είναι κακή και πρέπει να γίνεται συντήρηση σε τακτά χρονικά διαστήματα.

• Σε περίπτωση που δεν χρησιμοποιείται λιπαντικό για τις γραμμές αέρα, προσθέστε λάδι στη σύνδεση αέρα του εργαλείου κατά τη χρήση. Αυτό θα πρέπει να γίνεται μία ή δύο φορές την ημέρα. Λίγες σταγόνες λαδιού (3-5) κάθε φορά αρκούν. Σε περίπτωση που εφαρμόσετε μεγαλύτερες ποσότητες λαδιού, το προϊόν πιθανόν να μαζευτεί στο εσωτερικό του εργαλείου, πράγμα που θα γίνει εμφανές κατά τον εξαερισμό.

• Λειτουργία υπό κρύες καιρικές συνθήκες. - Για λειτουργία υπό κρύες καιρικές συνθήκες, με θερμοκρασίες κοντά στο μηδέν / υπό το μηδέν, η υγρασία στη γραμμή αέρα μπορεί να παγώσει, αποτρέποντας τη λειτουργία του

εργαλείου. Συνιστούμε τη χρήση του λιπαντικού για εργαλεία αέρος BOSTITCH Winter Formula ή τη χρήση μόνιμου αντιψυκτικού (αιθυλενογλυκόλη) ως λιπαντικό για κρύες καιρικές συνθήκες.

**Προσοχή** - Για να μην δημιουργηθεί παγετός ή πάγος στις βαλβίδες και στους μηχανισμούς λειτουργίας του εργαλείου, πράγμα που θα μπορούσε να διακόψει τη λειτουργία του εργαλείου, μην το αποθηκεύετε σε περιβάλλοντα όπου επικρατούν κρύες καιρικές συνθήκες.

**Σημείωση:** Μερικά ξηραντικά υγρά για γραμμές αέρα του εμπορίου είναι επιβλαβή για τους δακτυλίους κυκλικής διατομής (O-rings) και τις συγκολλήσεις. Μην χρησιμοποιείτε τέτοια προϊόντα με χαμηλές θερμοκρασίες χωρίς να ελέγξετε προηγουμένως την συμβατότητά τους.

## Δ. ΛΕΙΤΟΥΡΓΙΑ

**Ο χειριστής του εργαλείου και οποιαδήποτε άλλα άτομα βρίσκονται στην περιοχή εργασίας πρέπει να χρησιμοποιούν πάντα ΜΕΣΑ ΠΡΟΣΤΑΣΙΑΣ ΤΩΝ ΜΑΤΩΝ** κατά τη φόρτωση, λειτουργία και συντήρηση του εργαλείου αυτού. Αυτά παρέχουν προστασία από τα σωματίδια που εκκινάζονται τόσο από την **ΜΠΡΟΣΤΙΝΗ** πλευρά όσο και από τα **ΠΛΑΓΙΑ**. Τα μέσα προστασίας των ματιών είναι απαραίτητα για προστασία κατά των εκτινασόμενων συνδετήρων και των απορριμάτων που θα μπορούσαν να προκαλέσουν σοβαρό τραυματισμό στα μάτια. Ο εργοδότης ή/και ο χρήστης θα πρέπει να διασφαλίζουν ότι χρησιμοποιούνται τα κατάλληλα μέσα προστασίας των ματιών.

Τα μέσα προστασίας των ματιών πρέπει να παρέχουν προστασία τόσο από την μπροστινή πλευρά όσο και από τα πλάγια. **Σημείωση:** Τα γυαλιά προστασίας χωρίς πλαϊνό κάλυμμα και οι προσωπίδες από μόνα τους δεν παρέχουν επαρκή προστασία.

**Δ. ΠΡΟΕΙΔΟΠΟΙΗΣΗ!** Εάν το εργαλείο έχει υποστεί πτώση ή υποπτεύεστέ ότι έχει υποστεί βλάβη, εκτελέστε έλεγχο της λειτουργίας του εργαλείου όπως καθορίζεται στην ενότητα ελέγχου της λειτουργίας του εργαλείου.

**ΠΡΟΣ ΑΠΟΦΥΓΗ ΤΥΧΑΙΩΝ ΤΡΑΥΜΑΤΙΣΜΩΝ:**

- Μην τοποθετείτε ποτέ τα χέρια σας ή οποιοδήποτε άλλο μέρος του σώματός σας στην περιοχή εκφόρτισης συνδετήρων του εργαλείου ενώ η παροχή αέρα παραμένει συνδεδεμένη.

- Ποτέ μην στρέψετε το εργαλείο προς τη μεριά οποιουδήποτε ατόμου.

- Μην παίζετε με το εργαλείο.

- Ποτέ μην τραβάτε τη σκανδάλη παρά μόνο όταν η μύτη είναι στραμμένη προς το τεμάχιο εργασίας.

- Να χειρίζεστε πάντα το εργαλείο με προσοχή.

- Μην τραβάτε τη σκανδάλη και μην πιέζετε το ζυγό ασφαλείας κατά τη φόρτωση του εργαλείου.

**ΤΥΠΟΙ ΛΕΙΤΟΥΡΓΙΑΣ : Η ΒOSTITCH ΠΡΟΣΦΕΡΕΙ ΕΠΤΑ ΤΥΠΟΥΣ ΛΕΙΤΟΥΡΓΙΑΣ:**

Τύπος λειτουργίας	Αναφορά εγχειριδίου εργαλείου	Ζυγός ασφαλείας / Διάταξη ασφαλείας
ΛΕΙΤΟΥΡΓΙΑ ΕΝΕΡΓΟΠΟΙΗΣΗΣ ΜΕ ΕΠΑΦΗ	1	✓
ΛΕΙΤΟΥΡΓΙΑ ΜΕΡΙΚΗΣ ΔΙΑΔΟΧΙΚΗΣ ΕΝΕΡΓΟΠΟΙΗΣΗΣ	2	✓
ΛΕΙΤΟΥΡΓΙΑ ΠΛΗΡΟΥΣ ΔΙΑΔΟΧΙΚΗΣ ΕΝΕΡΓΟΠΟΙΗΣΗΣ	2A	✓
ΛΕΙΤΟΥΡΓΙΑ ΜΕ ΣΚΑΝΔΑΛΗ	3	✗
ΛΕΙΤΟΥΡΓΙΑ ΕΝΕΡΓΟΠΟΙΗΣΗΣ ΜΕ ΣΥΝΕΧΗΣ ΕΠΑΦΗ	4	✓
ΣΥΝΕΧΗΣ ΛΕΙΤΟΥΡΓΙΑ ΣΚΑΝΔΑΛΗΣ Ή «ΑΥΤΟΜΑΤΗ ΛΕΙΤΟΥΡΓΙΑ»	5	✗
ΕΠΙΛΕΞΙΜΗ ΛΕΙΤΟΥΡΓΙΑ ΕΝΕΡΓΟΠΟΙΗΣΗΣ	6	✓

yhdenmukaisuutta.

### ΕΡΓΑΛΕΙΑ ΤΑ ΟΠΟΙΑ ΔΕΝ ΔΙΑΘΕΤΟΥΝ ΖΥΓΟ ΑΣΦΑΛΕΙΑΣ (ΜΕΡΙΚΕΣ ΦΟΡΕΣ ΟΝΟΜΑΖΕΤΑΙ ΔΙΑΤΑΞΗ ΑΣΦΑΛΕΙΑΣ)

- **δύο πιθανοί τύποι λειτουργίας:**

#### ΛΕΙΤΟΥΡΓΙΑ ΜΕ ΣΚΑΝΔΑΛΗ (Αναφορά 3 στον Πίνακα τεχνικών χαρακτηριστικών, Στήλη L(a))

Το εργαλείο που λειτουργεί με σκανδάλη εκτελεί κύκλο λειτουργίας αποκλειστικά και μόνο με την ενεργοποίηση της σκανδάλης. Το μοντέλο αυτό δεν περιλαμβάνει ζυγό ασφαλείας και θα πρέπει να χρησιμοποιείται μόνο σε περίπτωση που ΔΕΝ μπορεί να χρησιμοποιηθεί ζυγός ασφαλείας για την πλήρωση των απαιτήσεων της εφαρμογής. Το εργαλείο που λειτουργεί με σκανδάλη θα εκτελεί κύκλο λειτουργίας κάθε φορά που ενεργοποιείται η σκανδάλη.

#### ΣΥΝΕΧΗΣ ΛΕΙΤΟΥΡΓΙΑ ΣΚΑΝΔΑΛΗΣ Η «ΑΥΤΟΜΑΤΗ ΛΕΙΤΟΥΡΓΙΑ»

(Αναφορά 5 στον Πίνακα τεχνικών χαρακτηριστικών, Στήλη L(a))

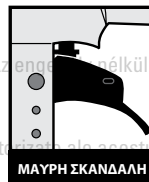
Το μοντέλο με συνεχή λειτουργία σκανδάλης επιτρέπει επανάληψη των κύκλων στερέωσης ενόσω η σκανδάλη παραμένει ενεργοποιημένη. Το μοντέλο αυτό δεν περιλαμβάνει ζυγό ασφαλείας και θα πρέπει να χρησιμοποιείται μόνο σε περίπτωση που δεν μπορεί να χρησιμοποιηθεί ζυγός ασφαλείας για την πλήρωση των απαιτήσεων της εφαρμογής.

### ΕΡΓΑΛΕΙΑ ΤΑ ΟΠΟΙΑ ΔΙΑΘΕΤΟΥΝ ΖΥΓΟ ΑΣΦΑΛΕΙΑΣ (ΜΕΡΙΚΕΣ ΦΟΡΕΣ ΟΝΟΜΑΖΕΤΑΙ ΔΙΑΤΑΞΗ ΑΣΦΑΛΕΙΑΣ)

- **πέντε πιθανοί τύποι λειτουργίας:**

Όλα τα εργαλεία με ζυγό ασφαλείας φέρουν την ένδειξη ανεστραμμένου ισόπλευρου τριγώνου (t). Μην επιχειρήσετε να χρησιμοποιήσετε εργαλείο που περιλαμβάνει την ένδειξη αυτή σε περίπτωση που δεν περιέχεται ο ζυγός ασφαλείας ή φαίνεται ότι έχει υποστεί ζημιά.

Τα περισσότερα εργαλεία διαθέτουν ζυγό ασφαλείας ο οποίος βρίσκεται συνήθως στην «εκτεταμένη» θέση ή είναι στραμμένος προς τα κάτω (Αναφορά 1 στον Πίνακα τεχνικών χαρακτηριστικών, Στήλη L(b)). Κάποια εργαλεία διαθέτουν ζυγό ασφαλείας ο οποίος είναι συνήθως «πιεσμένος» ή στραμμένος προς τα πάνω (Αναφορά 2 στον Πίνακα τεχνικών χαρακτηριστικών, Στήλη L(b)). Για πλήρεις οδηγίες σχετικά με το χαρακτηριστικό αυτό, συμβουλευτείτε το εγχειρίδιο Τεχνικών χαρακτηριστικών του εργαλείου που αφορά συγκεκριμένα το εργαλείο σας.



**ΛΕΙΤΟΥΡΓΙΑ ΕΝΕΡΓΟΠΟΙΗΣΗΣ ΜΕ ΕΠΑΦΗ (ΜΑΥΡΗ ΣΚΑΝΔΑΛΗ)**  
(Αναφορά 1 στον Πίνακα τεχνικών χαρακτηριστικών, Στήλη L(a))

Η κανονική διαδικασία λειτουργίας για τα εργαλεία με «Λειτουργία ενεργοποίησης με επαφή» ή «Λειτουργία μεζ προφυλακτήρα» συνίσταται στην ενεργοποίηση του ζυγού ασφαλείας από τον χειριστή ενώ κρατά πιεσμένη τη σκανδάλη, στερεώνοντας έτσι έναν συνδετήρα κάθε φορά που το εργαλείο έρχεται σε επαφή με το τεμάχιο εργασίας. Αυτό επιτρέπει τη γρήγορη τοποθέτηση συνδετήρων σε διάφορους τύπους εφαρμογών, όπως συναρμολόγηση κιβωτίων και παλετών. Όλα τα πνευματικά εργαλεία υπόκεινται στο φαινόμενο της παλινδρόμησης μετά από τη στερέωση συνδετήρων. Το εργαλείο μπορεί έτσι να αναπηδήσει αφήνοντας τον ζυγό ασφαλείας και σε περίπτωση που κατά λάθος έρθει ξανά σε επαφή με την επιφάνεια εργασίας ενώ η σκανδάλη ακόμα πιεσμένη (το δάχτυλο κρατά ακόμα πιεσμένη τη σκανδάλη), ένας δεύτερος ανεπιθύμητος συνδετήρας μπορεί να στερεωθεί.



**Δ ΠΡΟΕΙΔΟΠΟΙΗΣΗ!** Τα εργαλεία που είναι επισήμασμένα με αυτό το σύμβολο διαθέτουν τη λειτουργία ενεργοποίησης με επαφή ή τη λειτουργία ενεργοποίησης με συνεχή επαφή ή την επιλέξιμη ενεργοποίηση.

Τα εργαλεία αυτά είναι σχεδιασμένα για χρήση σε εφαρμογές παραγωγής, όπως παλέτες, έπιπλα, προκατασκευασμένα σπίτια ή ταπετσαρίες.

**ΜΗ** χρησιμοποιείτε αυτό το εργαλείο σε τρόπο λειτουργίας ενεργοποίησης με επαφή για εφαρμογές όπως το κλείσιμο κιβωτίων ή καφασιών και την τοποθέτηση συστημάτων ασφαλείας μεταφοράς σε τρέιλερ ή φορτηγά. Το εργαλείο αυτό θα πρέπει να χρησιμοποιείται μόνο σε ασφαλείς χώρους εργασίας. Θα πρέπει να επιδεικνύεται προσοχή για την αποφυγή τυχαίας ενεργοποίησης κατά την αλλαγή από μία θέση εργασίας σε μια άλλη.



ΓΚΡΙ ΣΚΑΝΔΑΛΗ

## ΔΙΑΔΟΧΙΚΗ ΕΝΕΡΓΟΠΟΙΗΣΗ - 2 ΤΥΠΟΙ (ΓΚΡΙ ΣΚΑΝΔΑΛΗ):

**ΤΥΠΟΣ 1: ΛΕΙΤΟΥΡΓΙΑ ΜΕΡΙΚΗΣ ΔΙΑΔΟΧΙΚΗΣ ΕΝΕΡΓΟΠΟΙΗΣΗΣ**  
(Αναφορά 2 στον Πίνακα τεχνικών χαρακτηριστικών, Στήλη L(a))

Στη λειτουργία μερικής διαδοχικής ενεργοποίησης, ο χειριστής θα πρέπει να κρατά το εργαλείο σε επαφή με τεμάχιο εργασίας με τον ζυγό ασφαλείας πατημένο, πριν τραβήξει τη σκανδάλη. Για να στερεώσετε επιπρόσθετους συνδετήρες, θα πρέπει να απελευθερώσετε και να τραβήξετε ξανά τη

σκανδάλη, ώστε να λειτουργήσει το εργαλείο. Το εργαλείο θα συνεχίσει να λειτουργεί κάθε φορά που πιέζεται η σκανδάλη ενώ το εργαλείο εξακολουθεί να βρίσκεται πάνω στην επιφάνεια εργασίας.

## ΤΥΠΟΣ 2: ΛΕΙΤΟΥΡΓΙΑ ΠΛΗΡΟΥΣ ΔΙΑΔΟΧΙΚΗΣ ΕΝΕΡΓΟΠΟΙΗΣΗΣ

(Αναφορά 2Α στον Πίνακα τεχνικών χαρακτηριστικών, Στήλη L(a))

Η λειτουργία πλήρους διαδοχικής ενεργοποίησης λειτουργεί με παρόμοιο τρόπο με τη λειτουργία μερικής διαδοχικής ενεργοποίησης με τη διαφορά ότι για τη στερέωση επιπρόσθετων συνδετήρων, θα πρέπει να απελευθερώνεται η σκανδάλη, να απομακρύνεται το εργαλείο από την επιφάνεια εργασίας και να επανοποθετείται σε αυτήν, πριν επαναληφθεί η διαδικασία.

Και με τους δύο τύπους λειτουργίας διαδοχικής ενεργοποίησης, η ακριβής τοποθέτηση συνδετήρων γίνεται με μεγαλύτερη ευκολία, για παράδειγμα για εφαρμογές σε σκελετούς και κιβώτια και για κάρφωμα υπό γωνία. Με τη λειτουργία διαδοχικής ενεργοποίησης είναι δυνατή η τοποθέτηση των συνδετήρων στην ακριβή τους θέση χωρίς την πιθανότητα στερέωσης δεύτερου συνδετήρα στο ίδιο σημείο λόγω του φαινομένου της παλινδρόμησης, όπως περιγράφετε στη Λειτουργία ενεργοποίησης με επαφή (παρακάτω). Το εργαλείο με λειτουργία διαδοχικής ενεργοποίησης προσφέρει ένα πλεονέκτημα από την άποψη της ασφάλειας αφού κάνει αδύνατη τη στερέωση ενός συνδετήρα σε περίπτωση όπου το εργαλείο έρθει σε επαφή με το τεμάχιο εργασίας -ή οποιοδήποτε άλλο αντικείμενο- ενώ ο χειριστής κρατά τραβηγμένη τη σκανδάλη.

## ΛΕΙΤΟΥΡΓΙΑ ΕΝΕΡΓΟΠΟΙΗΣΗΣ ΜΕ ΣΥΝΕΧΗΣ ΕΠΑΦΗ.

(Αναφορά 4 στον Πίνακα τεχνικών χαρακτηριστικών, Στήλη L(a))

Τα εργαλεία με λειτουργία με συνεχή επαφή επιτρέπουν επανάληψη των κύκλων στερέωσης ενός ή σκανδάλη και ο ζυγός ασφαλείας παραμένουν ενεργοποιημένα.

Πριν χειριστείτε ή θέσετε σε λειτουργία αυτό το εργαλείο:

Διαβάστε και κατανοήστε τις προειδοποιήσεις που περιέχονται στο παρόν εγχειρίδιο. Ανατρέξτε στα Τεχνικά χαρακτηριστικά του εργαλείου για να αναγνωρίσετε το λειτουργικό σύστημα στο εργαλείο σας.



**⚠ ΠΡΟΕΙΔΟΠΟΙΗΣΗ!** Τα εργαλεία που είναι επισημασμένα με αυτό το σύμβολο διαθέτουν τη λειτουργία ενεργοποίησης με επαφή ή τη λειτουργία ενεργοποίησης με συνεχή επαφή ή την επιλέξιμη ενεργοποίηση.



**⚠ ΠΡΟΕΙΔΟΠΟΙΗΣΗ!** Τα εργαλεία που είναι επισημασμένα με αυτό το σύμβολο διαθέτουν τη λειτουργία ενεργοποίησης με επαφή ή τη λειτουργία ενεργοποίησης με συνεχή επαφή ή την επιλέξιμη ενεργοποίηση.

rien que les produits soient conformes aux normes CE.

Τα εργαλεία αυτά είναι σχεδιασμένα για χρήση σε εφαρμογές παραγωγής, όπως παλέτες, έπιπλα, προκατασκευασμένα σπίτια ή ταπετσαρίες.

**ΜΗ** χρησιμοποιείτε αυτό το εργαλείο σε τρόπο λειτουργίας ενεργοποίησης επαφής για εφαρμογές όπως το κλείσιμο κιβωτίων ή καφασιών και την τοποθέτηση συστημάτων ασφάλειας μεταφοράς σε τρέιλερ ή φορτηγά. Το εργαλείο αυτό θα πρέπει να χρησιμοποιείται μόνο σε ασφαλείς χώρους εργασίας. Θα πρέπει να επιδεικνύεται προσοχή για την αποφυγή τυχαίας ενεργοποίησης κατά την αλλαγή από μια θέση εργασίας σε μια άλλη.

Τα εργαλεία αυτά είναι σχεδιασμένα για χρήση σε εφαρμογές παραγωγής, όπως παλέτες, έπιπλα, προκατασκευασμένα σπίτια ή ταπετσαρίες.

**ΜΗ** χρησιμοποιείτε αυτό το εργαλείο σε τρόπο λειτουργίας ενεργοποίησης επαφής για εφαρμογές όπως το κλείσιμο κιβωτίων ή καφασιών και την τοποθέτηση συστημάτων ασφάλειας μεταφοράς σε τρέιλερ ή φορτηγά. Το εργαλείο αυτό θα πρέπει να χρησιμοποιείται μόνο σε ασφαλείς χώρους εργασίας. Θα πρέπει να επιδεικνύεται προσοχή για την αποφυγή τυχαίας ενεργοποίησης κατά την αλλαγή από μια θέση εργασίας σε μια άλλη.

## ΕΛΕΓΧΟΣ ΛΕΙΤΟΥΡΓΙΑΣ ΕΡΓΑΛΕΙΟΥ



### ΛΕΙΤΟΥΡΓΙΑ ΕΠΙΛΕΞΙΜΗΣ ΕΝΕΡΓΟΠΟΙΗΣΗΣ (Αναφορά 6 στον Πίνακα τεχνικών χαρακτηριστικών, Στήλη L(a))

Μερικά εργαλεία είναι εφοδιασμένα με λειτουργία επιλέξιμη ενεργοποίησης που επιτρέπει στο χρήστη να κάνει εναλλαγή μεταξύ λειτουργίας

διαδοχικής ενεργοποίησης και ενεργοποίησης με επαφή. Ο τύπος της λειτουργίας που έχει επιλεγεί υποδεικνύεται από τη θέση του διακόπτη λειτουργιών. Όταν δείχνει προς τα κάτω στο εικονίδιο πολλαπλών καρφιών που είναι αποτυπωμένο στο πλαίσιο του εργαλείου, έχει επιλεγεί η λειτουργία ενεργοποίησης με επαφή. Όταν δείχνει προς τα πάνω στο εικονίδιο ενός καρφιού αποτυπωμένο στο πλαίσιο του εργαλείου, έχει επιλεγεί η λειτουργία διαδοχικής ενεργοποίησης. Πριν επιλέξετε τον απαιτούμενο τρόπο λειτουργίας, διαβάστε και κατανοήστε τις παραπάνω ενότητες σχετικά με τη λειτουργία ενεργοποίησης με επαφή και τη λειτουργία διαδοχικής ενεργοποίησης.

Για πλήρεις οδηγίες σχετικά με τον τρόπο χρήσης του χαρακτηριστικού αυτού, συμβουλευτείτε το εγχειρίδιο Τεχνικών χαρακτηριστικών του εργαλείου που αφορά συγκεκριμένα το εργαλείο σας.

**ΠΡΟΣΟΧΗ:** Πριν κάνετε έλεγχο της λειτουργίας του εργαλείου, αφαιρέστε όλους τους συνδετήρες.

**⚠ ΠΡΟΕΙΔΟΠΟΙΗΣΗ!** Αν το εργαλείο έχει υποστεί πτώση ή υποπτεύεστε ότι το εργαλείο έχει υποστεί βλάβη, εκτελέστε έλεγχο της λειτουργίας του εργαλείου όπως καθορίζεται στην ενότητα ελέγχου της λειτουργίας του εργαλείου.

### ΕΡΓΑΛΕΙΟ ΠΟΥ ΛΕΙΤΟΥΡΓΕΙ ΜΕ ΣΚΑΝΔΑΛΗ:

- Κρατώντας το δάκτυλό σας μακριά από τη σκανδάλη, κρατήστε το εργαλείο καλά από τη χειρολαβή.
  - Τοποθετήστε τη μύτη του εργαλείου πάνω στην επιφάνεια εργασίας.
  - Για να στερεώσετε έναν συνδετήρα, τραβήξτε τη σκανδάλη. Απελευθερώστε τη σκανδάλη για να ολοκληρώσετε τον κύκλο.
- ΠΡΟΣΟΧΗ:** Το εργαλείο θα εκτελέσει κύκλο λειτουργίας κάθε φορά που ενεργοποιείται η σκανδάλη!

### ΕΡΓΑΛΕΙΟ ΜΕ ΣΥΝΕΧΗΣ ΛΕΙΤΟΥΡΓΙΑ ΣΚΑΝΔΑΛΗΣ Ή «ΑΥΤΟΜΑΤΗ ΛΕΙΤΟΥΡΓΙΑ»

- Κρατώντας το δάκτυλό σας μακριά από τη σκανδάλη, κρατήστε το εργαλείο καλά από τη χειρολαβή.



B) Τοποθετήστε τη μύτη του εργαλείου πάνω στην επιφάνεια εργασίας.

Γ) Τραβήξτε τη σκανδάλη και σύρετε το εργαλείο είτε από την μία πλευρά προς την άλλη, είτε εμπρός/πίσω. Το εργαλείο θα συνεχίσει να κάνει κυκλικές κινήσεις μέχρι να απελευθερωθεί η σκανδάλη.

**ΠΡΟΣΟΧΗ:** Βεβαιωθείτε ότι κατά τη διάρκεια χρήσης του εργαλείου το κρατάτε γερά πάνω στην επιφάνεια εργασίας και ότι δεν έρχεται σε επαφή με τα άκρα της επιφάνειας εργασίας. Ένας συνδετήρας θα μπορούσε να εκτοξευτεί στον αέρα και να προκαλέσει ενδεχομένως τραυματισμό.

Γ) Κρατώντας το εργαλείο μακριά από την επιφάνεια εργασίας, τραβήξτε τη σκανδάλη. Πατήστε το ζυγό ασφαλείας πάνω στην επιφάνεια εργασίας. **ΤΟ ΕΡΓΑΛΕΙΟ ΔΕΝ ΠΡΕΠΕΙ ΝΑ ΕΚΤΕΛΕΣΕΙ ΚΥΚΛΟ ΛΕΙΤΟΥΡΓΙΑΣ.**

Δ) Χωρίς να ακουμπήσετε τη σκανδάλη, πιέστε τη διάταξη ασφαλείας πάνω στην επιφάνεια εργασίας και στη συνέχεια τραβήξτε τη σκανδάλη. **ΤΟ ΕΡΓΑΛΕΙΟ ΠΡΕΠΕΙ ΝΑ ΕΚΤΕΛΕΣΕΙ ΚΥΚΛΟ ΛΕΙΤΟΥΡΓΙΑΣ.**

Ε) Ενώ η διάταξη ασφαλείας συνεχίζει να βρίσκεται πάνω στην επιφάνεια εργασίας, τραβήξτε και πάλι τη σκανδάλη. **ΤΟ ΕΡΓΑΛΕΙΟ ΠΡΕΠΕΙ ΝΑ ΕΚΤΕΛΕΣΕΙ ΚΥΚΛΟ ΛΕΙΤΟΥΡΓΙΑΣ.**

## DK Må ikke gengives uden tilladelse. Uautoriserede kopier af dette dokument udgør ikke CE overenskomst for **ΛΕΙΤΟΥΡΓΙΑ ΕΝΕΡΓΟΠΟΙΗΣΗΣ ΜΕ ΕΠΑΦΗ**

A) Χωρίς να ακουμπήσετε τη σκανδάλη, πιέστε το ζυγό ασφαλείας πάνω στην επιφάνεια εργασίας. **ΤΟ ΕΡΓΑΛΕΙΟ ΔΕΝ ΠΡΕΠΕΙ ΝΑ ΕΚΤΕΛΕΣΕΙ ΚΥΚΛΟ ΛΕΙΤΟΥΡΓΙΑΣ.**

B) Απομακρύνετε το εργαλείο από την επιφάνεια εργασίας και χωρίς να το γυρίσετε προς το μέρος σας ή προς το μέρος άλλων ατόμων, τραβήξτε τη σκανδάλη. **ΤΟ ΕΡΓΑΛΕΙΟ ΔΕΝ ΠΡΕΠΕΙ ΝΑ ΕΚΤΕΛΕΣΕΙ ΚΥΚΛΟ ΛΕΙΤΟΥΡΓΙΑΣ.**

Γ) Κρατώντας το εργαλείο μακριά από την επιφάνεια εργασίας, τραβήξτε τη σκανδάλη. Πατήστε το ζυγό ασφαλείας πάνω στην επιφάνεια εργασίας. **ΤΟ ΕΡΓΑΛΕΙΟ ΠΡΕΠΕΙ ΝΑ ΕΚΤΕΛΕΣΕΙ ΚΥΚΛΟ ΛΕΙΤΟΥΡΓΙΑΣ.**

Δ) Χωρίς να ακουμπήσετε τη σκανδάλη, πιέστε το ζυγό ασφαλείας πάνω στην επιφάνεια εργασίας και στη συνέχεια τραβήξτε τη σκανδάλη. **ΤΟ ΕΡΓΑΛΕΙΟ ΠΡΕΠΕΙ ΝΑ ΕΚΤΕΛΕΣΕΙ ΚΥΚΛΟ ΛΕΙΤΟΥΡΓΙΑΣ.**

## PL Niniejszy dokument nie może być kopiowany bez pozwolenia. Nieautoryzowane kopie niniejszego dokumentu nie stanowią deklaracji zgodności CE prezentowanych produktów. **ΛΕΙΤΟΥΡΓΙΑ ΜΕΡΙΚΗΣ ΔΙΑΔΟΧΙΚΗΣ ΑΚΙΝΗΤΟΠΟΙΗΣΗΣ**

A) Χωρίς να ακουμπήσετε τη σκανδάλη, πιέστε το ζυγό ασφαλείας πάνω στην επιφάνεια εργασίας. **ΤΟ ΕΡΓΑΛΕΙΟ ΔΕΝ ΠΡΕΠΕΙ ΝΑ ΕΚΤΕΛΕΣΕΙ ΚΥΚΛΟ ΛΕΙΤΟΥΡΓΙΑΣ.**

B) Απομακρύνετε το εργαλείο από την επιφάνεια εργασίας και χωρίς να το γυρίσετε προς το μέρος σας ή προς το μέρος άλλων ατόμων, τραβήξτε τη σκανδάλη. **ΤΟ ΕΡΓΑΛΕΙΟ ΔΕΝ ΠΡΕΠΕΙ ΝΑ ΕΚΤΕΛΕΣΕΙ ΚΥΚΛΟ ΛΕΙΤΟΥΡΓΙΑΣ.**

A) Χωρίς να ακουμπήσετε τη σκανδάλη, πιέστε το ζυγό ασφαλείας πάνω στην επιφάνεια εργασίας. **ΤΟ ΕΡΓΑΛΕΙΟ ΔΕΝ ΠΡΕΠΕΙ ΝΑ ΕΚΤΕΛΕΣΕΙ ΚΥΚΛΟ ΛΕΙΤΟΥΡΓΙΑΣ.**

B) Απομακρύνετε το εργαλείο από την επιφάνεια εργασίας και χωρίς να το γυρίσετε προς το μέρος σας ή προς το μέρος άλλων ατόμων, τραβήξτε τη σκανδάλη. **ΤΟ ΕΡΓΑΛΕΙΟ ΔΕΝ ΠΡΕΠΕΙ ΝΑ ΕΚΤΕΛΕΣΕΙ ΚΥΚΛΟ ΛΕΙΤΟΥΡΓΙΑΣ.**

Γ) Κρατώντας το εργαλείο μακριά από την επιφάνεια εργασίας, τραβήξτε τη σκανδάλη. Πατήστε το ζυγό ασφαλείας πάνω στην επιφάνεια εργασίας. **ΤΟ ΕΡΓΑΛΕΙΟ ΔΕΝ ΠΡΕΠΕΙ ΝΑ ΕΚΤΕΛΕΣΕΙ ΚΥΚΛΟ ΛΕΙΤΟΥΡΓΙΑΣ.**

Δ) Χωρίς να ακουμπήσετε τη σκανδάλη, πιέστε τη διάταξη ασφαλείας πάνω στην επιφάνεια εργασίας και στη συνέχεια τραβήξτε τη σκανδάλη. **ΤΟ ΕΡΓΑΛΕΙΟ ΠΡΕΠΕΙ ΝΑ ΕΚΤΕΛΕΣΕΙ ΚΥΚΛΟ ΛΕΙΤΟΥΡΓΙΑΣ.**

Ε) Ενώ η διάταξη ασφαλείας συνεχίζει να βρίσκεται πάνω στην επιφάνεια εργασίας, τραβήξτε και πάλι τη σκανδάλη. **ΤΟ ΕΡΓΑΛΕΙΟ ΔΕΝ ΠΡΕΠΕΙ ΝΑ ΕΚΤΕΛΕΣΕΙ ΚΥΚΛΟ ΛΕΙΤΟΥΡΓΙΑΣ.**

## LEIΤΟΥΡΓΙΑ ΕΝΕΡΓΟΠΟΙΗΣΗΣ ΜΕ ΣΥΝΕΧΗΣ ΕΠΑΦΗ:

A) Χωρίς να ακουμπήσετε τη σκανδάλη, πιέστε το

© Ζυγό ασφαλείας πάνω στην επιφάνεια εργασίας.

### **ΤΟ ΕΡΓΑΛΕΙΟ ΔΕΝ ΠΡΕΠΕΙ ΝΑ ΕΚΤΕΛΕΣΕΙ**

#### **ΚΥΚΛΟ ΛΕΙΤΟΥΡΓΙΑΣ.**

Β) Απομακρύνετε το εργαλείο από την επιφάνεια εργασίας και χωρίς να το γυρίσετε προς το μέρος σας ή προς το μέρος άλλων ατόμων, τραβήξτε τη σκανδάλη.

### **ΤΟ ΕΡΓΑΛΕΙΟ ΔΕΝ ΠΡΕΠΕΙ ΝΑ ΕΚΤΕΛΕΣΕΙ**

#### **ΚΥΚΛΟ ΛΕΙΤΟΥΡΓΙΑΣ.**

Γ) Κρατώντας το εργαλείο μακριά από την επιφάνεια εργασίας, τραβήξτε τη σκανδάλη. Πιέστε το ζυγό ασφαλείας πάνω στην επιφάνεια εργασίας και σύρετε το εργαλείο είτε από την μία πλευρά προς την άλλη, είτε εμπρός/πίσω.

### **ΤΟ ΕΡΓΑΛΕΙΟ ΠΡΕΠΕΙ ΝΑ ΕΚΤΕΛΕΣΕΙ**

#### **ΚΥΚΛΟ ΛΕΙΤΟΥΡΓΙΑΣ ΚΑΙ ΝΑ ΣΥΝΕΧΙΣΕΙ**

#### **ΝΑ ΕΚΤΕΛΕΙ ΚΥΚΛΟΥΣ ΛΕΙΤΟΥΡΓΙΑΣ ΜΕΧΡΙ**

#### **ΝΑ ΑΠΕΛΕΥΘΕΡΩΘΕΙ Η ΣΚΑΝΔΑΛΗ Ή ΝΑ**

#### **ΑΠΟΜΑΚΡΥΝΘΕΙ ΤΟ ΕΡΓΑΛΕΙΟ ΑΠΟ ΤΗΝ**

#### **ΕΠΙΦΑΝΕΙΑ ΕΡΓΑΣΙΑΣ.**

Δ) Χωρίς να ακουμπήσετε τη σκανδάλη, πιέστε το ζυγό ασφαλείας πάνω στην επιφάνεια εργασίας και στη συνέχεια τραβήξτε τη σκανδάλη.

### **ΤΟ ΕΡΓΑΛΕΙΟ ΠΡΕΠΕΙ ΝΑ ΕΚΤΕΛΕΣΕΙ**

#### **ΚΥΚΛΟ ΛΕΙΤΟΥΡΓΙΑΣ ΚΑΙ ΝΑ ΣΥΝΕΧΙΣΕΙ**

#### **ΝΑ ΕΚΤΕΛΕΙ ΚΥΚΛΟΥΣ ΛΕΙΤΟΥΡΓΙΑΣ ΜΕΧΡΙ**

#### **ΝΑ ΑΠΕΛΕΥΘΕΡΩΘΕΙ Η ΣΚΑΝΔΑΛΗ Ή ΝΑ**

#### **ΑΠΟΜΑΚΡΥΝΘΕΙ ΤΟ ΕΡΓΑΛΕΙΟ ΑΠΟ ΤΗΝ**

#### **ΕΠΙΦΑΝΕΙΑ ΕΡΓΑΣΙΑΣ.**

## **ΧΡΗΣΗ ΤΟΥ ΕΡΓΑΛΕΙΟΥ**

Αφού ελέγξετε ότι το εργαλείο λειτουργεί κανονικά, πιέστε τη μύτη πάνω στην επιφάνεια εργασίας και τραβήξτε τη σκανδάλη. Ελέγξετε ότι έχει γίνει σωστή στερέωση των συνδετήρων.

• Σε περίπτωση που ο συνδετήρας δεν έχει στερεωθεί αρκετά βαθιά, αυξήστε την πίεση του αέρα κατά 0,5 Bar (5-6 PSI) κάθε φορά. Φροντίστε ώστε να ελέγχετε το αποτέλεσμα μετά από κάθε ρύθμιση. Μην υπερβαίνετε το μέγιστο επιτρεπόμενο επίπεδο πίεσης λειτουργίας (βλ. Τεχνικά χαρακτηριστικά εργαλείου)

• Σε περίπτωση που ο συνδετήρας έχει στερεωθεί πολύ βαθιά, μειώστε την πίεση του αέρα κατά 0,5 Bar (5-6 PSI) κάθε φορά. Φροντίστε ώστε να ελέγχετε το αποτέλεσμα μετά από κάθε ρύθμιση. Μην προσπαθείτε να χρησιμοποιείτε επίπεδο πίεσης αέρα χαμηλότερο από το ελάχιστο συνιστώμενο (βλ. Τεχνικά χαρακτηριστικά εργαλείου).

Να προσπαθείτε πάντα να εργάζεστε με το χαμηλότερο δυνατό επίπεδο πίεσης του αέρα. Αυτό θα μειώσει το θόρυβο και τους κραδασμούς που παράγονται και θα επεκτείνει τη διάρκεια ζωής των εσωτερικών εξαρτημάτων όπως ο προφυλακτήρας.

## **ΠΕΡΑΝ ΤΩΝ ΥΠΟΛΟΙΠΩΝ**

### **ΠΡΟΕΙΔΟΠΟΙΗΣΕΩΝ ΠΟΥ**

### **ΠΕΡΙΛΑΜΒΑΝΟΝΤΑΙ ΣΤΟ ΕΓΧΕΙΡΙΔΙΟ ΑΥΤΟ,**

### **ΜΕΛΕΤΗΣΤΕ ΤΑ ΠΑΡΑΚΑΤΩ ΓΙΑ ΑΣΦΑΛΗ**

### **ΛΕΙΤΟΥΡΓΙΑ ΤΟΥ ΕΡΓΑΛΕΙΟΥ:**

- Να σέβεστε την ιδιότητα του πνευματικού εργαλείου στερέωσης της BOSTITCH ως εργαλείο. Δεν είναι παιχνίδι. Μην το χρησιμοποιείτε ως παιχνίδι.
- Χρησιμοποιείτε αυτό το πνευματικό εργαλείο της BOSTITCH αποκλειστικά και μόνο για τους σκοπούς για τους οποίους έχει σχεδιαστεί.
- Μη χρησιμοποιείτε ποτέ το εργαλείο με τρόπο που θα μπορούσε να έχει ως αποτέλεσμα οι συνδετήρες να κατευθύνονται προς τον χρήστη ή οποιαδήποτε άλλα άτομα βρίσκονται στην περιοχή εργασίας.
- Μη χρησιμοποιείτε το εργαλείο ως σφυρί.
- Να μεταφέρετε πάντα το εργαλείο κρατώντας το από τη χειρολαβή. Ποτέ μη μεταφέρετε το εργαλείο κρατώντας το από τον εύκαμπο σωλήνα αέρος. Ποτέ μη μεταφέρετε το εργαλείο με τραβηγμένη τη σκανδάλη.
- Μη αλλάζετε ή τροποποιείτε τον αρχικό σχεδιασμό ή τη λειτουργία του εργαλείου χωρίς την έγγραφη έγκριση της BOSTITCH.
- Να θυμάστε πάντα ότι σε περίπτωση κακού ή ακατάλληλου χειρισμού του εργαλείου αυτού είναι πιθανόν να τραυματιστείτε είτε εσείς οι ίδιοι είτε άλλα άτομα.
- Ποτέ μη σφίγγετε ή περιτυλίγετε με ταινία τη σκανδάλη ή τον ζυγό ασφαλείας στην ενεργοποιημένη θέση.
- Ποτέ μην αφήνετε το εργαλείο χωρίς επίτηρηση σε περίπτωση που ο εύκαμπος σωλήνας αέρα είναι συνδεδεμένος.
- Μην θέσετε το εργαλείο αυτό σε λειτουργία σε περίπτωση που δεν περιλαμβάνει μια ευανάγνωστη ΠΡΟΕΙΔΟΠΟΙΗΤΙΚΗ ΕΤΙΚΕΤΑ.
- Μη συνεχίσετε τη χρήση του εργαλείου σε περίπτωση που υπάρχει διαρροή αέρα ή εάν το εργαλείο δεν λειτουργεί σωστά. Σε περίπτωση που το εργαλείο συνεχίζει να παρουσιάζει προβλήματα

σε σχέση με τη λειτουργία, ενημερώστε τον πλησιέστερο αντιπρόσωπο της BOSTITCH.

• Κατά τη λειτουργία, φροντίστε να κρατάτε το εργαλείο με τέτοιο τρόπο ώστε να μην είναι δυνατή η πρόκληση τραυματισμών στο κεφάλι ή στο σώμα σε περίπτωση που αυξηθεί η παλινδρομηση του εργαλείου λόγω μείωσης στην παροχή πίεσης αέρα ή λόγω σκληρών σημείων στην επιφάνεια εργασίας.

• Μην εργάζεστε κοντά σε γυνιές ή στην άκρη του τεμαχίου εργασίας. Ο συνδετήρας μπορεί να γλιστρήσει από το τεμάχιο εργασίας, προκαλώντας ενδεχομένως τραυματισμό.

• Κατά τη μεταφορά του εργαλείου, φροντίστε ώστε να αποσυνδέσετε πρώτα την παροχή αέρα.

• Βεβαιωθείτε ότι ο ζυγός ασφαλείας (αν υπάρχει) και η σκανδάλη λειτουργούν κανονικά.

• Μην αποσυναρμολογείτε ή φράσετε οποιοδήποτε μέρος του εργαλείου και ειδικότερα τον ζυγό ασφαλείας.

• Αποφύγετε να επιφέρετε ζημιές στο εργαλείο με χτυπήματα ή χαρακίες.



• Μην χρησιμοποιείτε εύκαμπτους σωλήνες αέρα και συνδέσμους που έχουν υποστεί βλάβη, τριβή ή φθορά.



• Μην μεταφέρετε το εργαλείο από τον εύκαμπτο σωλήνα.

• Να είστε προσεκτικοί κατά τη χρήση πνευματικών εργαλείων επειδή μπορεί να πέσει η θερμοκρασία του εργαλείου και να επηρεαστεί το πόσο καλά έχετε πάσει ή ελέγχετε το εργαλείο.

## Κίνδυνοι από τις επαναλαμβανόμενες κινήσεις

• Κατά τη χρήση ενός εργαλείου για παράτεταμένες χρονικές περιόδους, ο χειριστής μπορεί να αισθανθεί δυσφορία στα χέρια, τους βραχιόνες, τους ώμους, το λαιμό ή σε άλλα μέρη του σώματος.

Τα ακόλουθα ισχύουν:

• Κατά τη χρήση ενός εργαλείου, ο χειριστής θα πρέπει να παίρνει μια κατάλληλη αλλά εργονομική θέση. Να στέκεστε σε σταθερή βάση και να αποφεύγετε τις περιεργές ή μη ισορροπημένες στάσεις σώματος.

• Αν ο χειριστής παρουσιάσει συμπτώματα όπως επίμονη ή επανεμφανιζόμενη δυσφορία, πόνο,

αίσθημα σφιξίματος, άλγος, μυρμήγκιασμα, μούδιασμα, αίσθημα καύσου ή ακαμψία, δεν θα πρέπει να αγνοήσει αυτά τα προειδοποιητικά σημάδια. Ο χειριστής θα πρέπει να συμβουλευτεί έναν ειδικό στον τομέα της επαγγελματικής υγείας σε σχέση με τις συνολικές δραστηριότητες.

## Κίνδυνοι στον χώρο εργασίας

Το γλιστρήμα, το σκόνταμμα ή το πέσιμο είναι βασικές αιτίες τραυματισμών στο χώρο εργασίας. Προσέχετε τις ολισθηρές επιφάνειες που δημιουργούνται από τη χρήση του εργαλείου, καθώς και τον κίνδυνο σκόνταμματος λόγω τους εύκαμπτου σωλήνα της γραμμής αέρα.

• Να είστε ιδιαίτερα προσεκτικοί σε περιβάλλοντα που δεν γνωρίζετε. Μπορεί να υπάρχουν κρυμμένοι κίνδυνοι, όπως ηλεκτρικές γραμμές ή άλλες γραμμές υπηρεσιών κοινής ωφέλειας.

• Αυτό το εργαλείο δεν προορίζεται για χρήση σε δυνητικά εκρηκτικές ατμόσφαιρες και δεν διαθέτει μόνωση προστασίας από επαφή με ηλεκτρικό ρεύμα.

• Βεβαιωθείτε ότι δεν υπάρχουν ηλεκτρικά καλώδια, αγωγοί αερίου κ.λπ. που θα μπορούσαν να προκαλέσουν κίνδυνο λόγω της χρήσης του εργαλείου.

## Υπολειπόμενοι κίνδυνοι

Οι κίνδυνοι που ακολουθούν είναι εγγενείς στη χρήση αυτών των μηχανημάτων:

• Τραυματισμοί που προκαλούνται από τον ακατάλληλο χειρισμό του εργαλείου.

• Απώλεια ελέγχου λόγω μη σταθερής λαβής του εργαλείου.

• Μυϊκή καταπόνηση βραχιόνων και χεριών, ειδικά κατά την εκτέλεση εργασιών σε ύψος πάνω από το κεφάλι. Πάντα να κάνετε τακτικά διαλείμματα όταν εργάζεστε για μεγάλες χρονικές περιόδους.

Παρά την εφαρμογή των σχετικών κανονισμών ασφαλείας και την εφαρμογή διατάξεων ασφαλείας, ορισμένοι υπολειπόμενοι κίνδυνοι δεν μπορούν να αποφευχθούν. Αυτοί είναι:

• Βλάβη της ακοής

• Κίνδυνος σωματικής βλάβης λόγω εκτινασσομένων σωματιδίων

• Κίνδυνος εγκαυμάτων λόγω θέρμανσης μερών κατά τη λειτουργία

• Κίνδυνος σωματικής βλάβης λόγω παρατεταμένης χρήσης

• Απώλεια ελέγχου προκαλούμενης από παλινδρόμηση.

• Κίνδυνος τραυματισμού προκαλούμενος από σημεία σύνθλιψης, αιχμηρές ακμές και ακατάλληλο χειρισμό του τεμαχίου εργασίας.

• Κίνδυνος τραυματισμού προκαλούμενος από αιχμηρές ακμές όταν αλλάζετε καρφιά ή όταν εισάγετε ταινίες καρφιών.

## ΕΚΠΟΜΠΗ ΘΟΡΥΒΟΥ (Βλ. Τεχνικά

### χαρακτηριστικά εργαλείου)

Τα χαρακτηριστικά επίπεδα θορύβου για το εργαλείο αυτό έχουν καθοριστεί σύμφωνα με το πρότυπο EN 12549 - «Ακουστική - Κώδικας δοκιμής θορύβου εργαλείων στερέωσης συνδετήρων - Τεχνική μέθοδος.»

Τα επίπεδα αυτά είναι χαρακτηριστικά του συγκεκριμένου εργαλείου και δεν αντιπροσωπεύουν την ανάπτυξη θορύβου στο σημείο χρήσης. Η ανάπτυξη θορύβου στο σημείο εφαρμογής θα εξαρτηθεί για παράδειγμα από το περιβάλλον εργασίας, το τεμάχιο εργασίας, την υποστήριξη στο τεμάχιο εργασίας, τον αριθμό λειτουργιών στερέωσης κ.λπ.

Ανάλογα με τις συνθήκες στο χώρο εργασίας και τη μορφή του τεμαχίου εργασίας, ίσως χρειαστούν επιπρόσθετα μέτρα για την εξασθένηση του ήχου, όπως η τοποθέτηση των τεμαχίων εργασίας σε υποστηρικτικές εξασθένησης ήχου, η αποτροπή δόνησης στο τεμάχιο εργασίας μέσω σύσφιξης ή κάλυψης, η προσαρμογή στην ελάχιστη πίεση του αέρα που χρειάζεται για τη εργασία, κ.λπ.

## ΠΛΗΡΟΦΟΡΙΕΣ ΣΕ ΣΧΕΣΗ ΜΕ ΤΟΥΣ

### ΚΡΑΔΑΣΜΟΥΣ (Βλ. Τεχνικά χαρακτηριστικά εργαλείου)

Η χαρακτηριστική τιμή κραδασμών για το εργαλείο αυτό έχει καθοριστεί σύμφωνα με το πρότυπο ISO/WD 8662-11 «Μέτρηση κραδασμών σε χειροκίνητα ηλεκτρικά εργαλεία - Μέρος 11 Εργαλεία στερέωσης συνδετήρων.»

HU A dokumentum engedély nélkül nem sokszorosítható. Az engedély nélkül sokszorosított dokumentum nem jelenti a termék CE-megfelelőségét.

RO Reproducerea neautorizată este interzisă. Copiile neautorizate ale acestui document nu reprezintă conformitatea CE pentru produse.

Η τιμή αυτή είναι χαρακτηριστική του εργαλείου και δεν αντιπροσωπεύει την επίδραση στο σύστημα χειρός-βραχίονα κατά τη χρήση του εργαλείου. Η επίδραση στο σύστημα χειρός-βραχίονα κατά τη χρήση του εργαλείου θα εξαρτηθεί για παράδειγμα από τη λαβή δύναμης, τη δύναμη επαφής, τον προσανατολισμό εργασίας, την προσαρμογή της παροχής πεπιεσμένου αέρα, το τεμάχιο εργασίας, την υποστήριξη του τεμαχίου εργασίας, κ.λπ.

GB Not to be reproduced without permission. Unauthorized copies of this document do not constitute CE compliance for the products.

FR Reproduction interdite sans permission préalable. Les copies non autorisées de ce document ne signifient en rien que les produits sont conformes aux normes CE.

DE Vervielfältigung nicht ohne Genehmigung gestattet. Unzulässig erstellte Kopien dieses Dokuments erfüllen nicht die CE-Richtlinien für Produkte.

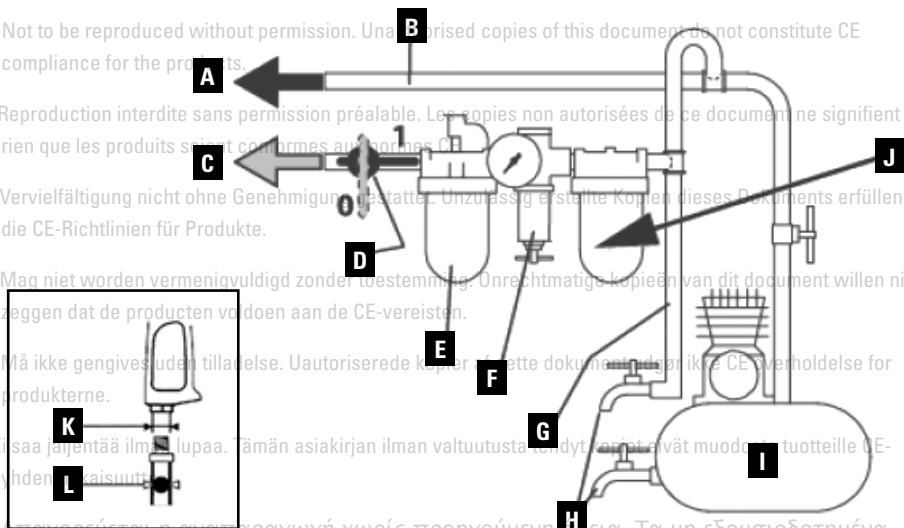
NL Mag niet worden vermenigvuldigd zonder toestemming. Onrechtmatige kopieën van dit document willen niet zeggen dat de producten voldoen aan de CE-vereisten.

DK Må ikke gengives uden tilladelse. Uautoriserede kopier af dette dokument udgør ikke CE-overholdelse for produkterne.

FI Ei saa julkentää ilman lupaa. Tämän asiakirjan ilman valtuutusta tehty kopiointi ei vastaa tuotteille CE-vaatimuksia.

GR Αντιπροσέεται η αναπαραγωγή χωρίς προηγούμενη άδεια. Τα μη εξουσιοδοτημένα αντίγραφα του παρόντος εγγράφου δεν αποτελούν συμμόρφωση CE για τα προϊόντα.

GR



A) Προς σύστημα αέρα

B) Κύριες γραμμές (3 x μέγεθος εισόδου εργαλείου αέρα)

C) Προς εργαλείο αέρα

D) Βαλβίδα διαφράγματος έκτακτης ανάγκης

E) Λιπαντής

F) Ρυθμιστής

G) Γραμμή κλάδου (2 x μέγεθος εισόδου εργαλείου αέρα)

H) Αποστράγγιση

I) Συμπίεστη

J) Φίλτρο

K) Σύνδεσμος υψηλής ροής 1/4" NPT

L) Ελάχ. εσωτ. διάμ. εύκαμπτου σωλήνα αέρα: 10mm (3/8")

## ΕΝΑΡΞΗ ΛΕΙΤΟΥΡΓΙΑΣ ΤΟΥ ΕΡΓΑΛΕΙΟΥ

Μεταξύ του συμπίεστη αέρα και του λιπαντή αέρα θα πρέπει να τοποθετείται μια μονάδα φίλτρου αέρα (J) για να προάγει την παροχή καθαρού αέρα στο εργαλείο. Το νερό και οι ακαθαρσίες μπορούν να προκαλέσουν βλάβη στα πνευματικά εργαλεία (βλ. διάγραμμα παραπάνω).

## ΑΝΤΙΜΕΤΩΠΙΣΗ ΠΡΟΒΛΗΜΑΤΩΝ ΚΑΙ ΣΥΝΤΗΡΗΣΗ

Οι επισκευές πρέπει να γίνονται μόνο από εξουσιοδοτημένους αντιπροσώπους της BOSTITCH ή από άλλους ειδικούς, έχοντας λάβει υπόψη τις οδηγίες ασφάλειας, λειτουργίας και συντήρησης του εργαλείου αυτού, το ειδικό εγχειρίδιο του εργαλείου, καθώς και τα Τεχνικά Χαρακτηριστικά του Εργαλείου.

• Πριν από τη διαδικασία συντήρησης ή οποιαδήποτε επισκευή, αποσυνδέστε το εργαλείο από την παροχή αέρος και αδειάστε εντελώς το γεμιστήρα. Λάβετε υπόψη σας τις προειδοποιήσεις που περιλαμβάνονται στο εγχειρίδιο αυτό, στα Τεχνικά χαρακτηριστικά του εργαλείου, καθώς και στο ίδιο το εργαλείο. Να είστε ιδιαίτερα προσεκτικοί κατά την αξιολόγηση προβληματικών εργαλείων.

• Θα πρέπει να χρησιμοποιούνται μόνο γνήσια ανταλλακτικά της BOSTITCH. Μη χρησιμοποιείτε τροποποιημένα εξαρτήματα ή οποιαδήποτε εξαρτήματα δεν έχουν την ίδια απόδοση με τον αρχικό εξοπλισμό.

• Κατά την εκτέλεση εργασιών συντήρησης στο εργαλείο, βεβαιωθείτε ότι τα εσωτερικά εξαρτήματα έχουν καθαριστεί και λιπανθεί. Να χρησιμοποιείτε το λιπαντικό Parker «O»-Lube ή κάτι αντίστοιχο σε όλους τους δακτυλίους κυκλικής διατομής (O-rings). Πριν τη συναρμολόγηση, εφαρμόστε λιπαντικό «O»-

• **Λύστε** σε όλους τους δακτυλίους κυκλικής διατομής (O-rings). Να χρησιμοποιείτε μικρή ποσότητα λαδιού σε όλες τις κινητές επιφάνειες και άξονες. Μετά την επανασυναρμολόγηση, τοποθετήστε λίγες σταγόνες λιπαντικού για εργασία αέρος της BOSTITCH μέσω της γραμμής αέρος πριν τον έλεγχο.

• Σε περίπτωση που δεν μπορείτε να επιλύσετε το πρόβλημα χρησιμοποιώντας τις παρακάτω οδηγίες, επικοινωνήστε με τον πλησιέστερο αντιπρόσωπο ή διανομέα της Bostitch.

• Για περαιτέρω οδηγίες που σχετίζονται ειδικά με τη συντήρηση του εργαλείου σας, ανατρέξτε στα Τεχνικά χαρακτηριστικά του εργαλείου.

ΠΡΟΒΛΗΜΑ	ΑΙΤΙΑ	ΕΠΙΛΥΣΗ
Δεν εκτελείται κύκλος λειτουργίας.	Περιορισμός στην παροχή αέρος	Ελέγξτε τον εξοπλισμό παροχής αέρος
	Το εργαλείο παρουσιάζει ξηρότητα, δεν έχει γίνει χρήση λιπαντικού	Χρησιμοποιείστε το λιπαντικό για εργαλεία αέρος της BOSTITCH
	Οι δακτύλιοι κυκλικής διατομής (O-rings) της επικεφαλής βαλβίδας (εάν υπάρχουν) είναι φθαρμένοι	Αντικαταστήστε τους δακτυλίους κυκλικής διατομής (O-rings)
	Σπασμένο ελατήριο στο πώμα φιάλης	Αντικαταστήστε το ελατήριο στο πώμα φιάλης
	Η επικεφαλής βαλβίδα (αν υπάρχει) έχει κολλήσει στο καπάκι	Αποσυναρμολογήστε/Ελέγξτε/Λιπάνετε
Δεν γίνεται παροχή ρεύματος, αργή κυκλική κίνηση	Πολύ χαμηλή πίεση του αέρα	Ελέγξτε τον εξοπλισμό παροχής αέρος
	Το εργαλείο παρουσιάζει ξηρότητα, δεν έχει γίνει χρήση λιπαντικού	Χρησιμοποιείστε το λιπαντικό για εργαλεία αέρος της BOSTITCH
	Σπασμένο ελατήριο στο πώμα φιάλης	Αντικαταστήστε το ελατήριο στο πώμα φιάλης
	Οι δακτύλιοι κυκλικής διατομής (O-rings) / τα σφραγίσματα έχουν κοπεί ή υπάρχουν ρωγμές	Αντικαταστήστε τους δακτυλίους κυκλικής διατομής (O-rings) / τα σφραγίσματα
	Το σύστημα εξαερισμού έχει φράξει	Ελέγξτε τον προφυλακτήρα, το ελατήριο της επικεφαλής βαλβίδας, το σιαστήρα
	Η διάταξη της σκανδάλης έχει υποστεί φθορά / υπάρχει διαρροή	Αντικαταστήστε τη διάταξη της σκανδάλης
	Το περίβλημα του κυλίνδρου δεν έχει τοποθετηθεί σωστά στον κάτω προφυλακτήρα	Αποσυναρμολογήστε και διορθώστε
	Η επικεφαλής βαλβίδα παρουσιάζει ξηρότητα	Αποσυναρμολογήστε/χρησιμοποιήστε λιπαντικό
Υπάρχει διαρροή αέρα στο περίβλημα της βαλβίδας της σκανδάλης.	Ο δακτύλιος κυκλικής διατομής (O-ring) έχει κοπεί ή υπάρχουν ρωγμές	Αντικαταστήστε τον δακτύλιο κυκλικής διατομής (O-ring)
Υπάρχει διαρροή αέρα από τον κάλυκα της βαλβίδας της σκανδάλης.	Οι δακτύλιοι κυκλικής διατομής (O-rings) / τα σφραγίσματα έχουν κοπεί ή υπάρχουν ρωγμές	Αντικαταστήστε τους δακτυλίους κυκλικής διατομής (O-rings) / τα σφραγίσματα
Υπάρχει διαρροή αέρα από το πλαίσιο / τη μύτη	Ο δακτύλιος κυκλικής διατομής (O-ring) / το παρέμβυσμα έχουν κοπεί ή υπάρχουν ρωγμές	Αντικαταστήστε τον δακτύλιο κυκλικής διατομής (O-ring) ή το παρέμβυσμα
	Υπάρχουν ρωγμές στον προφυλακτήρα / ο προφυλακτήρας έχει υποστεί φθορά	Αντικαταστήστε τον προφυλακτήρα

ΠΡΟΒΛΗΜΑ	ΑΙΤΙΑ	ΕΠΙΛΥΣΗ
Υπάρχει διαρροή αέρα από το πλαίσιο / καπάκι	Το παρέμβυσμα ή το σφράγισμα έχει υποστεί ζημιά	Αντικαταστήστε το παρέμβυσμα ή το σφράγισμα
FR Reproduction interdite sans permission que les produits soient conformes aux normes CE.	Ο προφυλακτήρας της επικεφαλής βαλβίδας έχει υποστεί φθορά / υπάρχουν ρωγμές Οι βίδες στο καπάκι είναι χαλαρές	Αντικαταστήστε τον προφυλακτήρα Σφίξτε τις και ελέγξτε ξανά
DE Vernebelmaschine nicht ohne Genehmigung gestattet. Unzulässig erstellte Kopien dieses Dokuments erfüllen nicht die Anforderungen der CE-Normen für Produkte.	Ο προφυλακτήρας έχει υποστεί φθορά	Αντικαταστήστε τον προφυλακτήρα
NL Mag niet worden vermenigvuldigd of verspreid worden. Het is niet toegestaan te kopiëren of te verspreiden van dit document when het zeggende dat de producten voldoen aan de CE-normen.	Περιορισμός του επιπέδου αέρα/ ανεπαρκής ροή αέρα μέσω πρίζας και βύσματος ταχείας αποσύνδεσης	Αντικαταστήστε τους συνδέσμους ταχείας αποσύνδεσης
DK Må ikke gengives uden tilladelse af producenten.	Το έμβολο του δακτυλίου κυκλικής διατομής (O-ring) (αν υπάρχει) έχει υποστεί φθορά.	Αντικαταστήστε τον δακτύλιο κυκλικής διατομής (O-ring), ελέγξτε τον οδηγό
EL Είσαα jällentää ilman lupaa. Tämä asiakirja on suojattu tekijänoikeuslain voimassa olevilla säännöksillä. Kukaan ei saa kopioida tai muokata tuotteille CE-merkintää.	Το εργαλείο παρουσιάζει ξηρότητα, δεν έχει γίνει χρήση λιπαντικού	Χρησιμοποιείστε το λιπαντικό για εργαλεία αέρος της BOSTITCH
GR Απαγορεύεται η αναπαραγωγή ή η αντιγραφή του παρόντος εγχειρίδιου χωρίς την άδεια του κατασκευαστή. Δεν αποδέχονται συμπληρωματική CE για τα προϊόντα.	Χαμηλή πίεση του αέρα	Ελέγξτε το σύστημα παροχής αέρος στο εργαλείο
IT Vietata la riproduzione senza permesso del produttore. L'utilizzo e la ristampa di questo documento non garantiscono la conformità CE per i relativi prodotti.	Η βίδα που βρίσκεται στη μύτη του γεμιστήρα είναι χαλαρή	Σφίξτε όλες τις βίδες
NO Skal ikke reproduseres uten tillatelse fra produsent. Dette dokumentet er beskyttet av dette copyright.	Οι συνδετήρες είναι πολύ κοντοί για το εργαλείο	Να χρησιμοποιείτε μόνο τους συνδετήρες που σας έχουν προτείνει
PT Reprodução proibida sem autorização do fabricante. As cópias não autorizadas deste documento não estão em conformidade com a CE para os produtos.	Λυγισμένοι συνδετήρες	Σταματήστε να χρησιμοποιείτε αυτούς τους συνδετήρες
ES Prohibida la reproducción sin permiso del fabricante. Las copias no autorizadas de este documento no están en conformidad con las normas CE de los productos.	Συνδετήρες λανθασμένου μεγέθους Υπάρχει διαρροή από το παρέμβυσμα στο καπάκι	Να χρησιμοποιείτε μόνο τους συνδετήρες που σας έχουν προτείνει Σφίξτε τις βίδες / αντικαταστήστε το παρέμβυσμα
SE Prohibida la reproducción sin permiso del fabricante. Las copias no autorizadas de este documento no están en conformidad con las normas CE de los productos.	Ο δακτύλιος κυκλικής διατομής (O-ring) της βαλβίδας της σκανδάλης έχει κοπεί / φθαρεί	Αντικαταστήστε τον δακτύλιο κυκλικής διατομής (O-ring)
PL Niniejszy dokument nie może być używany do celów innych niż informacyjne. Nieautoryzowane kopie niniejszego dokumentu nie stanowią deklaracji zgodności z CE prezentowanych produktów.	Σπασμένοι / ξεφλουδισμένοι οδηγοί	Αντικαταστήστε τον οδηγό [ελέγξτε το έμβολο του δακτυλίου κυκλικής διατομής (O-ring)]
CZ Niniejszy dokument nie może być kopiowany bez pozwolenia. Nieautoryzowane kopie niniejszego dokumentu nie stanowią deklaracji zgodności z CE prezentowanych produktów.	Ο γεμιστήρας παρουσιάζει ξηρότητα / χρειάζεται καθαρίσµα	Καθαρίστε τον γεμιστήρα και χρησιμοποιείστε το λιπαντικό για εργαλεία αέρος της BOSTITCH
SK Rozmnožovanie bez povolenia je zakázané. Nieautoryzované kopie niniejszego dokumentu nie stanowią deklaracji zgodności z CE prezentowanych produktów.	Ο γεμιστήρας έχει υποστεί φθορά	Αντικαταστήστε τον γεμιστήρα
HU A dokumentum engedély nélkül nem sokszorosítható. Az engedély nélküli sokszorosított dokumentum nem jelenti a termék CE-megfelelőségét.	Οι βίδες που βρίσκονται στο γεμιστήρα / στη μύτη είναι χαλαρές	Αντικαταστήστε τη μύτη / ελέγξτε τη θύρα Σφίξτε όλες τις βίδες
RO Reproducerea neautorizată este interzisă. Copiile neautorizate ale acestui document nu sunt în conformitate cu CE pentru produse.	Λυγισμένοι συνδετήρες	Σταματήστε να χρησιμοποιείτε αυτούς τους συνδετήρες
	Οι βίδες που βρίσκονται στο γεμιστήρα / στη μύτη είναι χαλαρές	Σφίξτε όλες τις βίδες
	Σπασμένοι / ξεφλουδισμένοι οδηγοί	Αντικαταστήστε τον οδηγό [ελέγξτε το έμβολο του δακτυλίου κυκλικής διατομής (O-ring)]

## **MANUALE DI ISTRUZIONI E NORME DI SICUREZZA**



**PRIMA DI METTERE IN FUNZIONE QUESTO UTENSILE, TUTTI GLI OPERATORI DOVRANNO ESAMINARE CON LA MASSIMA ATTENZIONE IL PRESENTE MANUALE, ACCERTANDOSI DI AVER BEN COMPRESO LE ISTRUZIONI E LE NORME RELATIVE ALLA SICUREZZA. CONSERVARE QUESTE ISTRUZIONI INSIEME CON L'UTENSILE PER EVENTUALI RIFERIMENTI FUTURI. NEL CASO DI DUBBI O DOMANDE, CONTATTARE IL RAPPRESENTANTE O DISTRIBUTORE BOSTITCH.**

**PRIMA DI METTERE IN FUNZIONE QUESTO UTENSILE, CONSULTARE LA TABELLA CON I DATI RELATIVI ALL'UTENSILE, CAMPO L SUL MANUALE DELLE SPECIFICHE TECNICHE, PER INDIVIDUARE IL TIPO DI ATTUAZIONE SPECIFICO DELL'UTENSILE.**

### **Questi utensili per fissaggio sono strumenti professionali.**

**NON lasciarli alla portata dei bambini. Quando questo utensile viene usato da operatori inesperti, occorre vigilare.**

• **Bambini e infermi. Questo strumento non è destinato a essere usato da bambini o persone inferme senza supervisione.**

• **Questo prodotto non è destinato a essere usato da persone (inclusi bambini) con abilità fisiche, sensoriali o mentali ridotte, oppure mancanti di esperienza, conoscenze o abilità a meno che siano sorvegliati da una persona responsabile della loro sicurezza. Non lasciare mai i bambini da soli con questo prodotto.**

• **L'utensile per dispositivi di fissaggio deve essere usato esclusivamente da operatori in possesso delle capacità tecniche idonee.**

• **Non modificare l'utensile per dispositivi di fissaggio. Le modifiche potrebbero ridurre l'efficacia delle misure di sicurezza e aumentare i rischi per l'operatore e/o gli astanti.**

Gli utensili BOSTITCH sono strumenti di precisione realizzati per il fissaggio in grande quantità e a elevata velocità. Questi utensili forniranno prestazioni efficienti e affidabili se utilizzati correttamente e con cura. Come nel caso di qualsiasi altro utensile, è necessario attenersi alle istruzioni del fabbricante per ottenere i migliori risultati. Leggere con attenzione il presente manuale e comprendere correttamente le misure di sicurezza e le avvertenze prima di mettere in funzione

l'utensile. Leggere con attenzione le istruzioni relative all'installazione, al funzionamento e alla manutenzione e conservare il manuale per eventuali riferimenti futuri. Nota: nel caso di applicazioni speciali dell'utensile, potrebbero rendersi necessarie misure di sicurezza aggiuntive. Contattare il rappresentante o distributore BOSTITCH nel caso di dubbi relativi all'utensile e al suo impiego.

### **NOTE:**

gli utensili BOSTITCH sono stati realizzati per soddisfare al meglio le esigenze dei clienti e sono progettati per fornire le migliori prestazioni se usati con i dispositivi di fissaggio di precisione BOSTITCH, realizzati in base agli stessi standard.

**BOSTITCH declina qualsiasi responsabilità in caso di prestazioni inadeguate dell'utensile nel caso quest'ultimo venisse utilizzato con elementi di fissaggio o accessori non conformi ai requisiti specifici per i chiodi, i punti e gli accessori originali BOSTITCH.**

### **GARANZIA LIMITATA**

BOSTITCH commercializza prodotti di qualità e offre una garanzia per gli utenti professionali del prodotto. Questa dichiarazione di garanzia va ad aggiungersi, senza pregiudicare in alcun modo, ai diritti contrattuali in qualità di utente professionale o ai diritti legali come utente privato non professionale. La garanzia è valida all'interno dei territori degli Stati membri dell'Unione Europea e della Zona Di Libero Scambio Europea.

Qualora il prodotto BOSTITCH si guasti a causa di materiali o manodopera difettosi entro 12 mesi dalla data di acquisto, BOSTITCH garantisce la sostituzione gratuita di tutte le parti difettose oppure, a sua discrezione, la sostituzione gratuita dell'unità a condizione che:

- **Il prodotto non sia stato usato per scopi diversi da quelli previsti;**
- **Il prodotto sia stato sottoposto a usura e consumo corretti;**
- **martelletti, gli ammortizzatori e gli o-ring sono considerati parti soggette ad usura e sono quindi esclusi**
- **Le riparazioni non siano state eseguite da personale non autorizzato;**
- **Si produca la prova di acquisto del prodotto;**
- **Il prodotto sia restituito completo con tutti i componenti originali**
- **Il prodotto sia restituito a spese dell'acquirente insieme con la prova di acquisto al centro di riparazione regionale o a un centro di garanzia autorizzato.**

Se si desidera presentare un reclamo, contattare il rivenditore o individuare la sede del responsabile



delle riparazioni BOSTITCH autorizzato più vicina nel catalogo BOSTITCH o contattare l'ufficio BOSTITCH all'indirizzo indicato nel presente manuale.

## RIFERIMENTI SPECIALI

Con questo utensile si dovranno utilizzare unicamente gli elementi di fissaggio conformi alle specifiche fornite nelle istruzioni per il funzionamento (consultare le Specifiche tecniche dell'utensile). Ai fini della sicurezza, l'utensile e i dispositivi di fissaggio specificati dovranno essere intesi come un unico sistema di sicurezza.

Verificare sempre l'utensile prima dell'uso per accertarsi che non vi siano parti rotte, collegate in modo non corretto o usurate.

Le riparazioni dovranno essere realizzate esclusivamente da personale autorizzato BOSTITCH o da altro personale specializzato, attenendosi sempre alle istruzioni in materia di sicurezza, funzionamento e manutenzione contenute nel presente manuale e nelle Specifiche tecniche dell'utensile.

**Nota:** per personale specializzato si intendono coloro i quali, a seguito di formazione o esperienza professionale, hanno acquisito sufficienti capacità nel settore degli utensili di fissaggio da garantirne un uso sicuro. I sostegni o le maschere utilizzate per montare l'utensile su un supporto, ad esempio un tavolo di lavoro, dovranno essere realizzati in modo da fissare in maniera sicura gli utensili di fissaggio in base all'uso previsto, evitando in tal modo danni, distorsioni o spostamenti.

## ISTRUZIONI DI SICUREZZA



L'operatore dell'utensile e chiunque si trovi nell'area di lavoro durante il caricamento, il funzionamento e le operazioni di manutenzione dell'utensile, deve sempre indossare una **PROTEZIONE PER GLI OCCHI FRONTALE** e **LATERALE** per proteggersi contro eventuali detriti volanti. La protezione per gli occhi è necessaria per evitare che eventuali gli elementi di fissaggio volanti o detriti possano causare gravi lesioni agli occhi. Il datore di lavoro e/o l'utente dovranno vigilare affinché vengano sempre indossate le necessarie protezioni per gli occhi.

Usare protezione per gli occhi conforme alla norma 89/686/CEE, e con pari o

maggiore grado di protezione rispetto a quello descritto nella norma EN166.

Tuttavia, quando si scelgono i dispositivi di protezione personale, occorre tener conto di tutti gli aspetti del lavoro dell'operatore, dell'ambiente e di altri tipi di macchinari in uso.



**ATTENZIONE:** In determinati ambienti potrebbero rendersi necessarie **MISURE DI PROTEZIONE SUPPLEMENTARI**. Ad esempio, l'area di lavoro potrebbe includere esposizione a livelli di rumorosità in grado di causare danni all'udito. Il datore di lavoro e l'utente devono accertarsi che l'operatore e altre persone presenti nell'area di lavoro siano dotati e utilizzino la protezione per l'udito idonea. In alcuni ambienti occorrerà usare dispositivi di protezione per la testa. In tal caso, il datore di lavoro e l'utente devono accertarsi che venga usata la protezione per la testa.

## PERICOLI DERIVANTI DAL RUMORE

- Un'esposizione non protetta a livelli di rumorosità elevati può causare perdita dell'udito permanente e disabilitante, oltre ad altri problemi come ad esempio acufeni (tintinnio, brusio, fischi o ronzii) nelle orecchie.
- La valutazione dei rischi e l'implementazione dei controlli adeguati per questi rischi è fondamentale.
- Fra i controlli adeguati volti a ridurre il rischio potrebbero esservi azioni quali materiali ammortizzanti che impediscano il "tintinnio" dei pezzi in lavorazione.
- Usare protezione per l'udito idonea.

- Utilizzare e sottoporre a manutenzione l'utensile secondo quanto indicato nelle presenti istruzioni onde impedire un inutile aumento dei livelli di rumorosità.
- Se l'utensile è dotato di silenziatore, accertarsi sempre che sia montato e in buono stato quando si utilizza l'utensile.

## PERICOLI DERIVANTI DALLE VIBRAZIONI

- Le informazioni per condurre una valutazione dei rischi di questi pericoli e l'implementazione dei controlli adeguati sono fondamentali.
- L'esposizione alle vibrazioni può causare danni disabilitanti ai nervi e al flusso sanguigno di mani e braccia.

• Quando si lavora al freddo, indossare capi di abbigliamento caldi, mantenere le mani calde

e asciutte.

• In caso di torpore, formicolio, dolore o sbiancamento della cute di dita o mani, ricorrere alla consulenza medica di un professionista sanitario qualificato in relazione a tutte le attività.

• Utilizzare e sottoporre a manutenzione l'utensile secondo quanto indicato nelle presenti istruzioni onde impedire un inutile aumento dei livelli di vibrazione.

• Afferrare l'utensile con una presa leggera, ma salda, poiché il rischio di vibrazioni solitamente è maggiore quando lo si tiene con una presa più forte.

## ⚠ ISTRUZIONI DI SICUREZZA PER L'ALIMENTAZIONE PNEUMATICA E I COLLEGAMENTI



Non usare ossigeno o gas infiammabili come fonte di energia per utensili azionati pneumaticamente.

Non usare gas compresso o un'alimentazione pneumatica dove la pressione massima nella linea possa potenzialmente superare la pressione massima indicata nel manuale specifico dell'utensile, poiché l'utensile potrebbe scoppiare, causando il rischio lesioni. Nel caso la pressione massima dell'alimentazione pneumatica possa superare questi valori, sarà necessario montare sull'alimentazione pneumatica una valvola di riduzione pressione provvista di valvola di sicurezza a valle.

• Non premere il grilletto o premere il dispositivo di sicurezza durante il collegamento con l'alimentazione pneumatica. L'utensile potrebbe iniziare a funzionare, con possibile rischio di lesioni.

• Il connettore sull'utensile non deve trattenere la pressione quando l'alimentazione pneumatica è scollegata. Nel caso venga utilizzato un accessorio sbagliato, l'utensile potrebbe rimanere carico d'aria anche dopo lo scollegamento, e potrebbe quindi far partire un elemento di fissaggio anche dopo essere stato scollegato della linea dell'aria, con possibile rischio di lesioni.

• Scollegare sempre l'alimentazione pneumatica:  
1) Prima di procedere a una regolazione; 2) Durante gli interventi di manutenzione; 3) Per sbloccare un inceppamento; 4) Quando l'utensile non viene utilizzato; 5) Mentre ci si sposta in una diversa zona di lavoro, per evitare l'azionamento accidentale, con conseguente rischio di lesioni.

## ⚠ ISTRUZIONI DI SICUREZZA PER IL CARICAMENTO DELL'UTENSILE

Quando si carica l'utensile: 1) Non mettere mai la mano o altre parti del corpo nell'area di scarico degli elementi di fissaggio dell'utensile; 2) Non puntate mai l'utensile verso di sé stessi o altre persone; 3) Non premere il grilletto o premere il dispositivo di sicurezza per evitare l'azionamento accidentale con conseguente rischio di lesioni.

**Nota: consultare il manuale separato delle Specifiche tecniche dell'utensile per specifiche istruzioni di caricamento e dimensioni degli elementi di fissaggio raccomandati.**

## ⚠ ISTRUZIONI DI SICUREZZA PER IL FUNZIONAMENTO DELL'UTENSILE

• Maneggiare sempre con la massima l'attenzione l'utensile: 1) Non scherzare con l'utensile; 2) Non premere mai il grilletto senza prima aver rivolto la punta dell'utensile verso il pezzo in lavorazione; 3) Tenere gli altri a distanza di sicurezza dall'utensile durante il funzionamento di quest'ultimo per evitare l'azionamento accidentale con conseguente rischio di lesioni.

• L'operatore non deve tenere premuto il grilletto sugli utensili provvisti di dispositivo di sicurezza (talvolta definito "sicura"), se non durante le operazioni di fissaggio, in quanto il contatto accidentale con cose o persone potrebbe far scattare l'utensile, con conseguente rischio di lesioni.

• Tenere le mani e il corpo lontani dalla zona di scarico dell'utensile. Un utensile corredato di dispositivo di sicurezza potrebbe infatti rimbalzare per effetto del rinculo e un secondo elemento di fissaggio potrebbe essere sparato accidentalmente con conseguente rischio di lesioni.

• Controllare periodicamente le condizioni del meccanismo del dispositivo di sicurezza. Non usare l'utensile nel caso in cui la sicura non funzioni correttamente, in quanto potrebbe partire accidentalmente un elemento di fissaggio. Non interferire nel normale funzionamento del meccanismo del dispositivo di sicurezza.

• Non inserire gli elementi di fissaggio sopra altri elementi di fissaggio, in quanto gli stessi potrebbero rimbalzare con conseguente rischio di lesioni.

• Non inserire gli elementi di fissaggio vicino ai bordi del pezzo in lavorazione, in quanto il legno potrebbe rompersi facendo deviare l'elemento di fissaggio, con conseguente rischio di lesioni.

● Non sporgersi eccessivamente. Usare esclusivamente in un luogo di lavoro sicuro.

● Mantenere sempre l'equilibrio corretto.

● Tenere gli astanti lontani (quando si lavora in una zona in cui è probabile un passaggio di persone).  
Contrassegnare con chiarezza la propria zona di lavoro.

● Usare sempre la seconda maniglia (se in dotazione).

● Indossare esclusivamente guanti che forniscano un livello di sensibilità adeguato e un controllo sicuro dei grilletti e di eventuali dispositivi di regolazione.

● Durante il funzionamento, potrebbero prodursi residui dal pezzo in lavorazione e dall'elemento di fissaggio/collazione.

● Prestare attenzione con utensili sicuri del pezzo in lavorazione, poiché potrebbero essere attuati accidentalmente e ferire l'operatore e/o gli astanti.

● Accertarsi che l'utensile sia sempre collocato in sicurezza sul pezzo in lavorazione e non possa scivolare.

● Mantenere una postura del corpo equilibrata e salda.

● Si consiglia di usare occhiali di sicurezza e guanti idonei, oltre che abbigliamento di protezione.

## **⚠ ISTRUZIONI DI SICUREZZA PER LE OPERAZIONI DI MANUTENZIONE**

Quando si lavora con utensili pneumatici, tenere presenti le avvertenze contenute in questo manuale, nelle istruzioni specifiche di ciascun utensile e sull'utensile stesso; usare inoltre la massima attenzione durante l'esame degli utensili che presentano problemi.

### **🔧 ALIMENTAZIONE PNEUMATICA E COLLEGAMENTI**

Quando si collegano degli utensili all'alimentazione pneumatica, la zona di uscita degli elementi di fissaggio dell'utensile deve essere rivolta in direzione opposta all'operatore e alle altre persone che si trovino nell'area di lavoro. Posizionare la zona di uscita dell'utensile su del material di prova di sufficiente.

A questo punto, tenendo gli arti e il corpo distanti dalla zona di uscita, si può collegare l'alimentazione pneumatica.

Per evitare l'azionamento accidentale e quindi il rischio di lesioni, scollegare sempre l'alimentazione pneumatica.

1. Prima di procedere a una regolazione.

2. Durante gli interventi di manutenzione.

3. Quando si sblocca un inceppamento.

4. Quando l'utensile non viene utilizzato.

5. Mentre ci si sposta in una diversa zona di lavoro, per evitare l'azionamento accidentale con conseguente rischio di lesioni.

● I compressori dovranno essere adeguatamente dimensionati per garantire una pressione e un flusso volumetrico sufficienti per l'uso previsto. I cali di pressione nell'alimentazione pneumatica possono ridurre la capacità di spinta dell'utensile. Consultare le Specifiche tecniche dell'utensile per impostare la pressione corretta dell'utensile.

● Le linee pneumatiche industriali devono essere posate in pendenza, con il punto più elevato posto vicino al compressore. Si dovrà poi procedere all'installazione filtri anticondensa facilmente accessibili nei punti più bassi. Svuotare i filtri anticondensa almeno una volta al giorno, o più frequentemente, se necessario. La sporcizia e l'acqua contenute nell'aria sono la causa principale dell'usura degli utensili pneumatici. I punti di raccordo dell'utensile dovranno essere provvisti di un filtro-regolatore-gruppo manutenzione installato direttamente sul punto di raccordo. Il filtro garantirà le migliori prestazioni e ridurrà al minimo l'usura. Il filtro dovrà avere una portata adeguata a ciascun impianto. Il filtro deve essere mantenuto pulito per essere efficiente nel fornire aria compressa pulita all'utensile. Per la corretta manutenzione del filtro, consultare le istruzioni del fabbricante. Un filtro sporco e ostruito determina perdite di pressione che potrebbero ridurre le prestazioni dell'utensile.

● Le connessioni dalle linee pneumatiche industriali all'utensile dovranno essere realizzate partendo dall'alto della linea stessa.

● I tubi dell'aria devono avere una pressione minima di esercizio di 10,6 Bar oppure 150% della pressione massima che può essere erogata dall'impianto pneumatico. Il tubo di erogazione deve contenere un accessorio in grado di fornire uno "scollamento rapido" dalla spina maschio dell'utensile.

● Controllare che la pressione erogata all'utensile non superi la pressione massima di esercizio, denominata "ps max." (consultare le Specifiche tecniche dell'utensile). Impostare inizialmente la pressione al valore di pressione di esercizio più basso consigliato (consultare le Specifiche tecniche dell'utensile).

● Controllate che l'utensile funzioni correttamente indirizzando la punta verso un pezzo di legno e premendo una o due volte il grilletto.

## LUBRIFICAZIONE<sup>019</sup>

- Per ottenere i migliori risultati è richiesta una lubrificazione frequente, ma non eccessiva.

L'olio aggiunto attraverso il raccordo della linea pneumatica lubrifica le parti interne. Per i dettagli sul lubrificante corretto, consultare le Specifiche tecniche dell'utensile. Non usare olio detergente o additivi, poiché questi lubrificanti provocheranno l'usura accelerata delle guarnizioni e dell'ammortizzatore dell'utensile, con conseguenti prestazioni scadenti dello stesso e una più frequente manutenzione.

- Nel caso non venga usato alcun lubrificante nella linea, aggiungere olio al raccordo pneumatico posto sull'utensile almeno una o due volte al giorno. Bastano poche gocce di olio (3-5) alla volta. Una quantità eccessiva di olio tenderebbe a raccogliersi all'interno dell'utensile e rimarrebbe nello scarico dell'aria.

- **Funzionamento con clima freddo.** — Nel caso di funzionamento con clima freddo, vicino o inferiore al punto di congelamento, l'umidità contenuta nella linea pneumatica potrebbe congelare e impedire il funzionamento dell'utensile. Si consiglia l'uso del lubrificante per utensili pneumatici BOSTITCH Winter Formula oppure un prodotto antigelo permanente (glicole etilenico) come lubrificante per climi freddi.

**Attenzione** - Per evitare il congelamento o la formazione di ghiaccio sulle valvole e sui meccanismi dell'utensile, che potrebbero causarne la rottura, non conservare l'utensile in ambienti freddi.

**Nota:** alcuni liquidi essiccanti per linee pneumatiche attualmente in commercio potrebbero danneggiare gli O-ring e le guarnizioni: non usare questi prodotti per basse temperature senza prima aver controllato la compatibilità.

### ⚠ **FUNZIONAMENTO**

**L'operatore dell'utensile e chiunque si trovi nell'area di lavoro durante il caricamento, il funzionamento e le operazioni di manutenzione dell'utensile, deve sempre indossare una PROTEZIONE PER GLI OCCHI** in grado di fornire un'adeguata protezione contro le particelle volatili provenienti dalla parte **ANTERIORE** e **LATERALE**. La protezione per gli occhi è necessaria per evitare che eventuali dispositivi di fissaggio volanti o detriti possano causare gravi lesioni agli occhi. Il datore di lavoro e/o l'utente dovranno vigilare affinché vengano sempre indossate le necessarie protezioni per gli occhi.

I dispositivi di protezione per gli occhi devono fornire sia protezione dal lato anteriore che laterale. **Nota:** occhiali privi di schermatura laterale e schermi facciali da soli non forniscono una protezione adeguata.

**⚠ AVVERTENZA!** Se l'utensile è caduto o si sospetta sia danneggiato, verificare il funzionamento del funzionamento dell'utensile così come descritto nella sezione Controllo del funzionamento dell'utensile.

### **PER EVITARE LESIONI ACCIDENTALI:**

- Non collocare mai una mano o alcun'altra parte del corpo nell'area di scarico degli elementi di fissaggio dell'utensile mentre l'alimentazione pneumatica è collegata.
- Non puntare mai l'utensile contro qualcuno.
- Non scherzare mai con l'utensile.
- Non premere mai il grilletto se la punta non è rivolta verso il pezzo in lavorazione.
- Maneggiare sempre l'utensile con la massima cura.
- Non premere il grilletto o premere il dispositivo di sicurezza durante il caricamento dell'utensile.

**TIPI DI FUNZIONAMENTO: BOSTITCH offre SETTE tipi di funzionamento:**

Tipo di funzionamento	Riferimento Manuale dell'utensile	Sistema di sicurezza
MODALITÀ DI AZIONAMENTO a CONTATTO	1	✓
MODALITÀ DI AZIONAMENTO SEQUENZIALE PARZIALE	2	✓
MODALITÀ DI AZIONAMENTO SEQUENZIALE COMPLETO	2A	✓
AZIONAMENTO A GRILLETTO	3	✗
MODALITÀ DI AZIONAMENTO a CONTATTO CONTINUO	4	✓
FUNZIONAMENTO A GRILLETTO CONTINUO O "FUNZIONAMENTO AUTOMATICO"	5	✗
MODALITÀ DI AZIONAMENTO SELEZIONABILE	6	✓

**UTENSILI SENZA DISPOSITIVO DI SICUREZZA (TALVOLTA DEFINITO "SICURA")**

- sono previste **due** modalità di funzionamento:

**MODALITÀ DI AZIONAMENTO A GRILLETTO**

(riferimento 3 nella Tabella delle specifiche tecniche, campo L(a))

Il modello azionato a grilletto funziona mediante azionamento del solo grilletto. Questo modello non dispone di un dispositivo di sicurezza ed è consigliato quando NON PUÒ ESSERE utilizzato un dispositivo di sicurezza per soddisfare i requisiti dell'applicazione. L'utensile azionato a grilletto funziona ogni volta che si preme il grilletto.

**AZIONAMENTO CONTINUO A GRILLETTO**

O "FUNZIONAMENTO AUTOMATICO" (riferimento 5 nella Tabella delle specifiche tecniche, campo L(a) A).

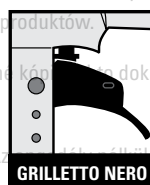
Il modello ad Azionamento continuo a grilletto permette di ripetere i cicli di funzionamento fino a quando il grilletto rimane premuto. Questo modello non dispone di un dispositivo di sicurezza ed è consigliato quando non può essere utilizzato un dispositivo di sicurezza per soddisfare i requisiti dell'applicazione.

**UTENSILI CON DISPOSITIVO DI SICUREZZA (TALVOLTA DEFINITO "SICURA")**

- sono possibili **cinque** modalità di funzionamento:

Tutti gli utensili dotati di sistema di sicurezza sono contrassegnati con un triangolo equilatero rovesciato (t). Non tentare di utilizzare un utensile contrassegnato in questo modo se il dispositivo di sicurezza è assente o sembra danneggiato.

La maggior parte degli utensili è dotata di un dispositivo di sicurezza che si trova normalmente in posizione "distesa" oppure "abbassata" (riferimento 1 nella Tabella delle specifiche tecniche, colonna L(b)). Alcuni utensili sono dotati di un dispositivo di sicurezza che si trova normalmente nella posizione "retratta" o "sollevata" (riferimento 2 nella Tabella delle specifiche tecniche, colonna L(b)). Per istruzioni complete su come utilizzare questa funzione, consultare il manuale Dati tecnici dell'utensile specifico per l'utensile che si deve adoperare.



**GRILLETTO NERO**

**MODALITÀ DI AZIONAMENTO A CONTATTO (GRILLETTO NERO) (riferimento 1 nella Tabella delle specifiche tecniche, colonna L(a))**

La normale procedura operativa per gli utensili con "modalità per contatto" o "a martello" consiste, per l'operatore, nell'azionare il dispositivo di sicurezza tenendo il

grilletto premuto, inserendo quindi un elemento di fissaggio ogni volta che si stabilisce un contatto con il pezzo in lavorazione. Questo permette un rapido posizionamento dell'elemento di fissaggio per diversi tipi di applicazioni, quali montaggio di casse e pallet. Tutti gli utensili pneumatici sono soggetti al fenomeno del rinculo in seguito all'inserimento degli elementi di fissaggio. L'utensile può quindi rimbalzare rilasciando il dispositivo di sicurezza e, nel caso in cui finisca per entrare nuovamente e accidentalmente in contatto con la superficie di lavoro con il grilletto ancora premuto (il dito tiene ancora premuto il grilletto), potrebbe venire sparato un secondo elemento di fissaggio indesiderato.



**AVVERTENZA!** Gli utensili contrassegnati con questo simbolo sono dotati sia di azionamento per contatto, che di azionamento per contatto continuo o azionamento a selezionabile.

Questi utensili sono progettati per essere utilizzati in applicazioni di produzione quali pallet, mobili, case prefabbricate e rivestimenti interni. **NON** usare questo utensile in azionamento a contatto in applicazioni quali chiusura di scatole o casse e o per installare sistemi di ritenuta su rimorchi e camion. Questo utensile deve essere usato esclusivamente in luoghi di lavoro sicuri. Prestare attenzione onde evitare l'azionamento accidentale quando si passa da una postazione di lavoro a un'altra.

## TIPO 2: MODALITÀ DI AZIONAMENTO SEQUENZIALE COMPLETA

(riferimento 2A nella Tabella delle Specifiche tecniche, campo L(a))

La modalità di azionamento sequenziale completo funziona in modo simile a quella sequenziale parziale, con la differenza che per inserire elementi di fissaggio aggiuntivi il grilletto deve essere rilasciato e l'utensile sollevato dal pezzo in lavorazione e nuovamente premuto contro quest'ultimo, prima di ripetere l'operazione.

Entrambi i tipi di azionamento sequenziali consentono un accurato e facile posizionamento dei dispositivi di fissaggio, ad esempio in applicazioni di chiodatura di intelaiature, bordi e casse. La modalità di azionamento sequenziale permette un esatto posizionamento dell'elemento di fissaggio, senza il rischio di inserire un secondo elemento di fissaggio per effetto del contraccolpo, come descritto in Modalità di azionamento a contatto (di seguito). Un utensile con modalità di azionamento sequenziale offre un vantaggio dal punto di vista della sicurezza in quanto rende impossibile l'inserimento di un elemento di fissaggio nel caso il cui l'utensile entri in contatto con il pezzo in lavorazione – o qualsiasi altro oggetto – mentre l'operatore tiene premuto il grilletto.

## MODALITÀ DI AZIONAMENTO A CONTATTO CONTINUO

(riferimento 4 nella Tabella delle specifiche tecniche, campo L(a))

Gli utensili funzionanti a Contatto continuo permettono di ripetere i cicli applicativi fino a quando il grilletto e la sicura a contatto rimangono premuti.

Prima di maneggiare o mettere in funzione questo utensile:

leggere e comprendere le avvertenze contenute nel presente manuale. Consultare le Specifiche tecniche dell'utensile per identificare il sistema operativo relativo al vostro utensile.



**AVVERTENZA!** Gli utensili contrassegnati con questo simbolo sono dotati sia di azionamento a contatto, che di azionamento a contatto continuo o azionamento selezionabile.

Questi utensili sono progettati per essere utilizzati in applicazioni di produzione quali pallet, mobili, case prefabbricate



## AZIONAMENTO SEQUENZIALE- 2 TIPI (GRILLETTO GRIGIO):

### TIPO 1: MODALITÀ DI AZIONAMENTO SEQUENZIALE PARZIALE

(riferimento 2 nella Tabella delle specifiche tecniche, campo L(a))

L'azionamento sequenziale parziale richiede che l'operatore tenga l'utensile contro il pezzo in lavorazione con il dispositivo di sicurezza premuto per contatto prima di premere il grilletto. Per spingere elementi di fissaggio aggiuntivi, il grilletto deve essere rilasciato e abbassato nuovamente perché l'utensile entri in funzione. L'utensile continuerà a funzionare ogni volta che si preme il grilletto mentre l'utensile è ancora tenuto contro il pezzo in lavorazione.

o rivestimenti interni. **NON** usare questo utensile in azionamento a contatto in applicazioni quali chiusura di scatole o casse e sistemi di sicurezza per trasporto di accessori su rimorchi e camion. Questo utensile deve essere usato esclusivamente in luoghi di lavoro sicuri. Prestare attenzione onde evitare l'azionamento accidentale quando si passa da una postazione di lavoro a un'altra.

DE Vervielfältigung nicht ohne Genehmigung gestattet. Unzulässige Kopien dieses Dokumentes sind strafbar.  
die CE-Richtlinien für Produkte.



### MODALITÀ DI AZIONAMENTO SELETTIVO (riferimento 6 nella Tabella delle specifiche tecniche, colonna L(a))

Alcuni utensili sono dotati di una modalità selettiva che consente all'utente di passare dalla modalità di azionamento sequenziale alla modalità di azionamento a contatto.

Il tipo di funzionamento selezionato è indicato dalla posizione del commutatore di modalità. Quando punta verso il basso in direzione dell'icona a chiudi multipli impressa nel corpo dell'utensile, si seleziona la Modalità di azionamento a contatto. Quando punta verso l'alto in direzione dell'icona a solo chiodo impressa nel corpo dell'utensile, si seleziona la Modalità di azionamento sequenziale. Leggere e assicurarsi di aver compreso le sezioni riportate in precedenza, dal titolo Modalità di azionamento a contatto e Modalità di azionamento sequenziale prima di selezionare la modalità richiesta.

Per istruzioni complete su come utilizzare questa funzione, consultare il manuale Specifiche tecniche dell'utensile specifico per l'utensile che si deve adoperare.



**AVVERTENZA!** Gli utensili contrassegnati con questo simbolo sono dotati sia di azionamento a contatto, che di azionamento a contatto continuo o azionamento selezionabile.

Questi utensili sono progettati per essere utilizzati in applicazioni di produzione quali pallet, mobili, case prefabbricate o rivestimenti interni. **NON** usare questo utensile in

azionamento per contatto in applicazioni quali chiusura di scatole o casse e sistemi di sicurezza per trasporto di accessori su rimorchi e camion. Questo utensile deve essere usato esclusivamente in luoghi di lavoro sicuri. Prestare attenzione onde evitare l'azionamento accidentale quando si passa da una postazione di lavoro a un'altra.

## VERIFICA DEL FUNZIONAMENTO DELL'UTENSILE

ATTENZIONE: togliere tutti gli elementi di fissaggio dall'utensile prima di realizzare le operazioni di controllo sull'utensile.

**AVVERTENZA!** Se l'utensile è caduto o si sospetta sia danneggiato, verificare il funzionamento del funzionamento dell'utensile così come descritto nella sezione Controllo del funzionamento dell'utensile.

### UTENSILE AZIONATO DAL GRILLETTO:

- Togliendo il dito dal grilletto, afferrare saldamente l'impugnatura dell'utensile.
- Rivolgere la punta dell'utensile contro la superficie del pezzo in lavorazione.
- Premere il grilletto per inserire un elemento di fissaggio. Rilasciare il grilletto: il ciclo è completato.

**ATTENZIONE:** l'utensile entrerà in funzione ogni volta che si preme il grilletto!

### UTENSILE CON FUNZIONAMENTO CONTINUO O "FUNZIONAMENTO AUTOMATICO"

- Togliendo il dito dal grilletto, afferrare saldamente l'impugnatura dell'utensile.
- Rivolgere la punta dell'utensile contro la superficie del pezzo in lavorazione.
- Premere il grilletto e muovere l'utensile da un lato all'altro oppure avanti e indietro. L'utensile continuerà il proprio ciclo fino a quando il grilletto verrà rilasciato.

**ATTENZIONE:** controllare che durante l'utilizzo l'utensile sia tenuto saldamente contro la superficie del pezzo in lavorazione e non entri in contatto con i bordi del pezzo. Potrebbe venire espulso un elemento di fissaggio, con conseguente rischio di lesioni.

### MODALITÀ DI AZIONAMENTO A CONTATTO

- Tenendo il dito lontano dal grilletto, premere il dispositivo di sicurezza contro la superficie di lavoro. **L'UTENSILE NON DEVE FUNZIONARE.**
- Allontanare l'utensile dalla superficie di lavoro e premere il grilletto, senza puntare l'utensile verso sé stessi o altre persone. **L'UTENSILE NON DEVE FUNZIONARE.**

C) Tenendo l'utensile lontano dalla superficie di lavoro, premere il grilletto. Premere il dispositivo di sicurezza contro la superficie di lavoro.  
**L'UTENSILE DEVE FUNZIONARE.**

D) Senza toccare il grilletto, premere il dispositivo di sicurezza contro la superficie di lavoro, quindi premere il grilletto.  
**L'UTENSILE DEVE FUNZIONARE.**

## SEQUENZIALE PARZIALE

A) Senza toccare il grilletto, premere il dispositivo di sicurezza contro la superficie di lavoro.

**L'UTENSILE NON DEVE FUNZIONARE.**

B) Allontanare l'utensile dalla superficie di lavoro e premere il grilletto, senza puntare l'utensile verso sé stessi o altre persone.

**L'UTENSILE NON DEVE FUNZIONARE.**

C) Tenendo l'utensile lontano dalla superficie di lavoro, premere il grilletto. Premere il dispositivo di sicurezza contro la superficie di lavoro.

**L'UTENSILE DEVE FUNZIONARE.**

D) Senza toccare il grilletto, premere il dispositivo di sicurezza contro la superficie di lavoro, quindi premere il grilletto.

**L'UTENSILE DEVE FUNZIONARE.**

E) Con il dispositivo di sicurezza ancora premuto contro la superficie di lavoro, premere di nuovo il grilletto.

**L'UTENSILE DEVE FUNZIONARE.**

## MODALITÀ DI SEQUENZIALE COMPLETO

A) Senza toccare il grilletto, premere il dispositivo di sicurezza contro la superficie di lavoro.

**L'UTENSILE NON DEVE FUNZIONARE.**

B) Allontanare l'utensile dalla superficie di lavoro e premere il grilletto, senza puntare l'utensile verso sé stessi o altre persone.

**L'UTENSILE NON DEVE FUNZIONARE.**

C) Tenendo l'utensile lontano dalla superficie di lavoro, premere il grilletto. Premere il dispositivo di sicurezza contro la superficie di lavoro.

**L'UTENSILE DEVE FUNZIONARE.**

D) Senza toccare il grilletto, premere il dispositivo di sicurezza contro la superficie di lavoro, quindi premere il grilletto.

**L'UTENSILE NON DEVE FUNZIONARE.**

E) Con il dispositivo di sicurezza ancora premuto contro la superficie di lavoro, premere di nuovo il grilletto.  
**L'UTENSILE NON DEVE FUNZIONARE.**

## MODALITÀ DI AZIONAMENTO A CONTATTO CONTINUO:

A) Tenendo il dito lontano dal grilletto, premere il dispositivo di sicurezza contro la superficie di lavoro.

**L'UTENSILE NON DEVE FUNZIONARE.**

B) Allontanare l'utensile dalla superficie di lavoro e premere il grilletto, senza puntare l'utensile verso sé stessi o altre persone.

**L'UTENSILE NON DEVE FUNZIONARE.**

C) Tenendo l'utensile lontano dalla superficie di lavoro, premere il grilletto. Premere il dispositivo di sicurezza contro la superficie di lavoro e muovere l'utensile da un lato all'altro oppure avanti e indietro.

**L'UTENSILE DEVE FUNZIONARE E DEVE CONTINUARE A FARLO FINO A QUANDO VIENE RILASCIATO IL GRILLETTO OPPURE FINO A QUANDO LO SI ALLONTANA DALLA SUPERFICIE DI LAVORO.**

D) Senza toccare il grilletto, premere il dispositivo di sicurezza contro la superficie di lavoro, quindi premere il grilletto.

**L'UTENSILE DEVE FUNZIONARE E DEVE CONTINUARE A FARLO FINO A QUANDO VIENE RILASCIATO IL GRILLETTO OPPURE FINO A QUANDO LO SI ALLONTANA DALLA SUPERFICIE DI LAVORO.**

## USO DELL'UTENSILE

Dopo aver controllato che l'utensile funzioni correttamente, premere la punta dell'utensile contro il pezzo in lavorazione e premere il grilletto. Verificare se il dispositivo di fissaggio è stato collocato come richiesto.

- Se il dispositivo di fissaggio non è stato inserito sufficientemente in profondità, aumentare la pressione dell'aria di 0,5 Bar (5-6 PSI) alla volta, verificando il risultato dopo ciascuna regolazione. Non superare la pressione massima d'esercizio consentita (consultare le Specifiche tecniche dell'utensile)

- Se il dispositivo di fissaggio è stato sparato troppo in profondità, ridurre la pressione dell'aria di 0,5 Bar (5-6 PSI) alla volta, verificando il risultato dopo ciascuna regolazione. Non usare una pressione inferiore alla pressione minima di esercizio raccomandata (consultare le Specifiche tecniche dell'utensile).



Tentare sempre di lavorare con la pressione dell'aria più bassa possibile. Così facendo, si ridurranno rumorosità e vibrazioni e si prolungherà la durata dei componenti interni quali il quali l'ammortizzatore.

## OLTRE ALLE ALTRE AVVERTENZE CONTENUTE NEL PRESENTE MANUALE, ATTENERSI A QUANTO SEGUE PER UN FUNZIONAMENTO SICURO:

- Considerare l'utensile pneumatico BOSTITCH per quello che è: un utensile. Non è un giocattolo. Non scherzare con l'utensile.
- Usare l'utensile pneumatico BOSTITCH esclusivamente per gli scopi per i quali è stato progettato.
- Non usare mai l'utensile in modo che l'elemento di fissaggio possa essere rivolto verso l'utente o altre persone presente nell'area di lavoro.
- Non usare l'utensile come un martello.
- Afferrare sempre l'utensile per l'impugnatura. Non trasportare mai l'utensile afferrandolo per la punta. Non trasportare mai l'utensile con il grilletto premuto.
- Non apportare modifiche o alterazioni all'utensile rispetto al progetto o alla funzione originali se non previa autorizzazione scritta di BOSTITCH.
- Ricordare sempre che un uso improprio o poco attento dell'utensile può causare lesioni a sé stessi e agli altri.
- Non fissare o legare con nastro adesivo il grilletto o il dispositivo di sicurezza in posizione di funzionamento.
- Non lasciare mai l'utensile senza sorveglianza mentre il tubo dell'aria è collegato.
- Non mettere in funzione l'utensile se privo di un'ETICHETTA DI AVVERTENZA leggibile.
- Non continuare a usare un utensile che perde aria o che non funziona correttamente. Informare il rappresentante BOSTITCH più vicino nel caso in cui l'utensile continui a dare problemi di funzionamento.
- Durante il funzionamento, tenere l'utensile in modo tale che non vi siano rischi di lesioni alla testa o al corpo nel caso di rinculo eccessivo dell'utensile stesso dovuto a un calo di pressione d'alimentazione o a zone particolarmente dure del pezzo in lavorazione.
- Non lavorare negli angoli o lungo i bordi dei pezzi in lavorazione. L'elemento di fissaggio potrebbe attraversare il pezzo, con conseguente rischio di lesioni.

- Prima di spostare l'utensile, scollegare sempre l'alimentazione pneumatica.
- Controllare che il dispositivo di sicurezza (se presente) e il grilletto funzionino correttamente.
- Non smontare o bloccare alcuna delle parti dell'utensile, soprattutto il dispositivo di sicurezza.

- Evitare di indebolire l'utensile con punzature o incisioni.



- Non utilizzare tubi dell'aria danneggiati, sfilacciati o deteriorati



- Non trasportare l'utensile afferrandolo dal tubo.

- Prestare attenzione quando si usano utensili pneumatici, poiché potrebbero raffreddarsi, con effetti sulla presa e il controllo

## Pericoli derivanti da movimenti ripetitivi

- Quando si usa un utensile per periodi di tempo prolungati, l'operatore potrebbe avere sensazioni di disagio alle mani, braccia, al collo o ad altre parti del corpo.

Vale quanto segue:

- Quando si usa un utensile, l'operatore dovrà adottare una postura idonea, ma ergonomica. Mantenere un equilibrio saldo ed evitare posture strane o sbilanciate.
- Se l'operatore prova sintomi quali disagio, dolore, dolore pulsante, indolenzimento, formicolio, torpore, sensazione di bruciore o rigidità persistenti o ricorrenti, non deve ignorare questi segni di avvertimento. Deve invece consultare un professionista sanitario qualificato tutte queste attività.

## Pericoli del luogo di lavoro

- Scivolamenti, inciampi e cadute sono le cause principali di lesioni sui luoghi di lavoro. Prestare attenzione alle superfici rese scivolose dall'utilizzo dell'utensile e anche dei pericoli di inciampo causati dal tubo flessibile della linea pneumatica.
- Procedere con attenzione supplementare in ambienti non familiari. Potrebbero esservi dei pericoli nascosti, quali ad esempio linee elettriche o altre utenze.

• Questo utensile non è destinato a essere usato in atmosfere potenzialmente esplosive e non è isolato elettricamente

• Accertarsi che non vi siano cavi elettrici, tubi del gas ecc. in grado di causare un pericolo se danneggiati dall'uso dell'utensile.

### Rischi residui

I seguenti rischi sono intrinseci all'uso di queste macchine:

• Lesioni causate da manipolazione impropria dell'utensile.

• Perdita di controllo dovuta a mancata presa salda dell'utensile.

• Sollecitazione muscolare di braccia e mani, specialmente quando si lavora rivolti verso l'alto. Fare sempre delle pause quando si lavora per periodi di tempo prolungati.

Nonostante l'applicazione delle normative di sicurezza in materia e l'implementazione di dispositivi di sicurezza, non è possibile evitare determinati rischi. Si tratta di:

• Danni all'udito

• Rischio di lesioni personali causati da particelle volanti

• Rischio di ustioni causate dal riscaldamento degli accessori durante il funzionamento.

• Rischio di lesioni personali causati dall'uso prolungato

• Perdita di controllo causata dal rinculo.

• Rischio di lesioni causato da schiacciamento, spigoli vivi e manipolazione impropria del pezzo in lavorazione.

• Rischio di lesioni causato da spigoli vivi quando si cambiano i chiodi o si inseriscono i punti.

### EMISSIONI ACUSTICHE (consultare le Specifiche tecniche dell'utensile)

I valori acustici caratteristici per l'utensile sono stati determinati conformemente a EN 12549 - Acustica -

Procedure per prove di rumorosità degli utensili per l'inserimento di elementi di fissaggio - Metodo tecnico progettuale

Questi valori sono caratteristici e relativi all'utensile e non rappresentano lo sviluppo acustico in un dato punto di impiego. Lo sviluppo acustico in un dato punto d'impiego dipenderà, ad esempio, dalle condizioni

lavorative, dal pezzo in lavorazione, dal supporto del pezzo, dal numero delle operazioni effettuate ecc.

In base alle condizioni e alla forma del pezzo in lavorazione, potranno rendersi necessarie misure individuali per la riduzione del rumore, come posizionare i pezzi in lavorazione su supporti anticasticci, evitare le vibrazioni del pezzo. In lavorazione mediante bloccaggio o copertura, regolare la pressione minima dell'aria richiesta per un dato lavoro ecc.

### INFORMAZIONI SULLE VIBRAZIONI (consultare le Specifiche tecniche dell'utensile)

I valori di vibrazioni caratteristici per l'utensile sono stati determinati conformemente a Macchine utensili portatili - Misurazione delle vibrazioni sull'impugnatura - Parte 11: Macchine utensili per l'inserimento di elementi di fissaggio

Questo valore è una caratteristica dell'utensile e non rappresenta l'influenza sul sistema braccio-mano durante l'impiego dell'utensile. L'influenza sul sistema braccio-mano durante l'impiego dell'utensile dipenderà, ad esempio, dalla forza di presa, dalla forza di contatto, dalla direzione del lavoro, dalla regolazione dell'aria compressa, dal pezzo in lavorazione, dal supporto del pezzo in lavorazione ecc.

GB Not to be reproduced without permission. Unauthorised copies of this document do not constitute CE compliance for the products.

FR Reproduction interdite sans permission préalable. Les copies non autorisées de ce document ne signifient en rien que les produits soient conformes aux normes CE.

DE Vervielfältigung nicht ohne Genehmigung gestattet. Unzulässige Kopien dieses Dokuments erfüllen nicht die CE-Richtlinien für Produkte.

NL Mag niet worden vermenigvuldigd zonder toestemming. Unrechtmatige kopieën van dit document willen niet zeggen dat de producten voldoen aan de CE-vereisten.

DK Må ikke gengives uden tilladelse. Uautoriserede kopier af dette dokument udgør ikke CE-overholdelse for produkterne.

FI Ei saa julkentää ilman lupaa. Tämän asiakirjan ilman valtuutusta tehty kappale eivät muodosta tuotteille CE-tyydytystä.

GR Απαγορεύεται η αναπαραγωγή χωρίς προηγούμενη άδεια. Τα μη εξουσιοδοτημένα αντίγραφα του παρόντος εγγράφου δεν αποτελούν συμμόρφωση CE για τα προϊόντα.

A) All'impianto pneumatico

B) Linee principali (3 volte la dimensione dell'ingresso aria dell'utensile)

C) All'utensile pneumatico

D) Valvola di arresto di emergenza

E) Lubrificatore

F) Regolatore

G) Linea secondaria 2 volte la dimensione dell'ingresso aria dell'utensile

H) Scarico

I) Compressore

J) Filtro

K) Raccordo per flusso elevato NPT da 1/4"

L) Tubo flessibile per aria da 3/8" (10 mm) (diametro interno min.) min.

## MESSA IN SERVIZIO DELL'UTENSILE

Collocare un filtro dell'aria (J) tra il compressore pneumatico e il lubrificatore pneumatico per favorire l'erogazione di aria pulita all'utensile. Acqua e sporcizia possono danneggiare gli utensili pneumatici (vedere diagramma precedente).

## RICERCA GUASTI E MANUTENZIONE

Le riparazioni dovranno essere realizzate esclusivamente da personale autorizzato BOSTITCH o da altro personale specializzato, attenendosi sempre alle istruzioni in materia di sicurezza, funzionamento e manutenzione contenute nel presente manuale e nelle Specifiche tecniche dell'utensile.

- Scollegare l'utensile dall'alimentazione pneumatica e svuotare completamente il caricatore prima di iniziare le operazioni di manutenzione o riparazione. Prendere nota delle avvertenze contenute nel

presente manuale, nelle Specifiche tecniche dell'utensile e sull'utensile stesso, e usare la massima attenzione nell'esaminare utensili con problemi.

- Usare esclusivamente parti di ricambio originali BOSTITCH. Non usare parti modificati o parti che non sono in grado di garantire le stesse prestazioni di quelle originali.
- Durante la riparazione di un utensile, verificare che le parti interne siano ben pulite e lubrificate. Utilizzare Parker "O"-Lube o un prodotto equivalente su tutti gli "O"-ring. Rivestire ogni "O"-ring con "O"-Lube prima di procedere al montaggio. Usare una piccola quantità d'olio su tutte le superfici mobili e sui perni. Dopo il rimontaggio, aggiungere qualche goccia di BOSTITCH Air Tool Lubricant attraverso la linea dell'aria prima del collaudo.
- Per ulteriori informazioni relative alla manutenzione specifica dell'utensile, consultare le Specifiche tecniche dell'utensile.

- Nel caso il problema non possa essere risolto usando la guida riportata qui di seguito, contattare il rappresentante o il distributore BOSTITCH più vicino.

compliance for the products.

PROBLEMA	CAUSA	CORREZIONE
Mancato funzionamento	Limitazione alimentazione pneumatica	Controllare l'apparecchiatura di alimentazione pneumatica
Utensile secco, mancanza di lubrificazione	O-ring della valvola di mandata usurati (se presenti)	Usare il lubrificante per utensili pneumatici BOSTITCH Sostituire gli O-ring
Guarnizione cilindro rotta cilindro rotta	Valvola di mandata (se presente) incastrata nel cappello	Sostituire la guarnizione cilindro Smontare/Controllare/Lubrificare
Mancanza di alimentazione; funzionamento lento	Pressione dell'aria insufficiente	Controllare l'apparecchiatura di alimentazione pneumatica
Utensile secco, mancanza di lubrificazione	Guarnizione cilindro rotta cilindro rotta	Usare il lubrificante per utensili pneumatici BOSTITCH Sostituire la guarnizione cilindro
O-ring/guarnizioni rotte o incrinato	Scarico bloccato	Sostituire O-ring/guarnizioni Controllare ammortizzatore, molla valvola testa, filtro silenziatore
Gruppo grilletto usurato/perde	Manicotto cilindro non posizionato correttamente sul respingente inferiore	Sostituire gruppo grilletto Smontare per riposizionare
Valvola di mandata secca	Valvola di mandata secca	Smontare/Lubrificare
Perdita d'aria dall'alloggiamento della valvola del grilletto	O-ring tagliato o incrinato	Sostituire l'O-ring
Perdita d'aria dallo stelo della valvola del grilletto	O-ring/guarnizioni rotte o incrinato	Sostituire O-ring/guarnizioni
Perdita d'aria dal telaio/ piastra	O-ring o guarnizione tagliato o incrinato	Sostituire l'O-ring o la guarnizione
Ammortizzatore incrinato/usurato	Ammortizzatore incrinato/usurato	Sostituire ammortizzatore
Perdita d'aria dal telaio/cappello	Guarnizioni o tenute danneggiate	Sostituire le guarnizioni o le tenute
Ammortizzatore valvola mandata incrinata/usurata	Ammortizzatore valvola mandata incrinata/usurata	Sostituire Ammortizzatore
Viti testa allentate	Viti testa allentate	Stringere e ricontrollare

PROBLEMA	CAUSA	CORREZIONE
GE Elementi di fissaggio mancanti alimentazione intermittente	Ammortizzatore usurato	Sostituire Ammortizzatore
FR Reproduction interdite sans permission préalable. Les copies non autorisées de ce document ne signifient en rien que les produits soient conformes aux normes CE.	Restrizione aria/portata inadeguata dell'aria attraverso la presa a disinnesto rapido	Sostituire le prese a disinnesto rapido
DE Vervielfältigung nicht ohne Genehmigung des Herstellers zulässig. Unrechtmässig erstellte Kopien dieses Dokumentes stellen nicht die CE-Richtlinien für Produkte dar.	O-ring del pistone usurato (se presente)	Sostituire l'O-ring, controllare il martelletto
NL Mag niet worden vermenigvuldigd of verspreid. Het kopiëren of verspreiden van dit document willen niet zeggen dat de producten voldoen aan de CE-vereisten.	Utensile secco, mancanza di lubrificazione	Usare il lubrificante per utensili pneumatici BOSTITCH
DK Må ikke gengives uden tilladelse af produktene.	Molla alimentatore danneggiata	Sostituire la molla
DK Må ikke gengives uden tilladelse af produktene.	Pressione dell'aria insufficiente	Controllare il sistema di alimentazione pneumatica all'utensile
FI Ei saa jäljentää ilman lupaa. Tämä ei tarkoita, että tuotteet eivät vastaisi CE-vaatimuksia.	Viti piastra/caricatore allentate	Stringere tutte le viti
GR Απαγορεύεται η αναπαραγωγή ή αντιγραφή χωρίς προηγούμενη άδεια. Τα μη εξουσιοδοτημένα αντίγραφα του παρόντος εγγράφου δεν υποδηλώνουν συμμόρφωση CE για τα προϊόντα.	Elementi di fissaggio troppo corti per l'utensile Elementi di fissaggio piegati	Utilizzare solo i elementi di fissaggio consigliati Uso discontinuo di questi dispositivi
IT Vietata la riproduzione senza permesso. Le copie non autorizzate di questo documento non assicurano la conformità CE per i relativi prodotti.	Elementi di fissaggio di dimensioni errate	Utilizzare solo i gli elementi di fissaggio consigliati
NO Skal ikke reproduseres uten tillatelse. Ikke godkjente kopier av dette dokumentet vil ikke kryllere for CE-merking for produktet.	Perdita dalla guarnizione testa	Stringere le viti/Sostituire la guarnizione
PT Reprodução proibida sem autorização prévia. As cópias não autorizadas deste documento não estão em conformidade com a CE para os produtos.	O-ring della valvola del grilletto tagliata/usurata	Sostituire l'O-ring
PT Reprodução proibida sem autorização prévia. As cópias não autorizadas deste documento não estão em conformidade com a CE para os produtos.	Martelletto rotto/scheggiato	Sostituire il martelletto (controllare l'O-ring del pistone)
ES Prohibida la reproducción sin permiso. Las copias no autorizadas de este documento no suponen la conformidad con las normas CE de los productos.	Caricatore secco/sporco	Pulire/lubrificare usando il lubrificante per utensili pneumatici BOSTITCH
SE Prohibida la reproducción sin permiso. Las copias no autorizadas de este documento no suponen la conformidad con las normas CE de los productos.	Caricatore usurato	Sostituire caricatore
SE Prohibida la reproducción sin permiso. Las copias no autorizadas de este documento no suponen la conformidad con las normas CE de los productos.	Canale martelletto usurato	Sostituire piastra / controllare portello
PL Niniejszy dokument nie może być kopiowany bez pozwolenia. Nieautoryzowane kopie niniejszego dokumentu nie stanowią deklaracji zgodności CE prezentowanych produktów.	Elemento di fissaggio di dimensioni errate	Utilizzare solo gli elementi di fissaggio consigliati
CZ Niniejszy dokument nie może być kopiowany bez pozwolenia. Nieautoryzowane kopie niniejszego dokumentu nie stanowią deklaracji zgodności CE prezentowanych produktów.	Elementi di fissaggio piegati	Smettere di usare questi elementi di fissaggio
SK Rozmnožovanie bez povolenia je zakázané. Neoprávnené kópie tohto dokumentu nie sú v súlade s CE pre dané výrobky.	Viti caricatore/ piastra allentate	Stringere tutte le viti
SK Rozmnožovanie bez povolenia je zakázané. Neoprávnené kópie tohto dokumentu nie sú v súlade s CE pre dané výrobky.	Martelletto rotto/scheggiato	Sostituire il martelletto (controllare l'O-ring del pistone)

## **BRUKS- OG SIKKERHETSMANUAL**



**FØR VERKTØYET TAS I BRUK, MÅ ALLE BRUKERE LESE DENNE MANUALEN FOR Å FORSTÅ OG FØLGE**

**SIKKERHETSANVISNINGENE OG BRUKERVEILEDNINGENE. OPPBEVAR ALLTID MANUALEN SAMMEN MED VERKTØYET FOR FREMTIDIGE KONSULTERINGER. VED YTTERLIGERE SPØRSMÅL, KONTAKT DIN BOSTITCH FORHANDLER ELLER DISTRIBUTØR.**

**FØR DU BEGYNNER Å ARBEIDE MED VERKTØYET, SLÅ OPP PÅ VERKTØYETS DATATABELL, KOLONNE L PÅ DET TEKNISKE DATAARKET, FOR Å IDENTIFISERE DET OPERATIVE SYSTEMET PÅ DITT VERKTØY.**

**Disse festeverktøyene er profesjonelle elektroverktøy.**

IKKE la barn komme i kontakt med verktøyet. Det kreves tilsyn når uerfarne brukere bruker verktøyet.

- Unge barn og personer med nedsatt fysisk styrke. Dette apparatet er ikke tiltenkt å brukes av unge barn eller personer med nedsatt fysisk styrke uten tilsyn.

- Dette produktet er ikke tiltenkt bruk av personer (inkludert barn) som lider av nedsatt fysiske, sensoriske eller psykiske evner, mangel på erfaring, kunnskap eller evner med mindre de er under tilsyn av person ansvarlig for sikkerheten. Barn bør aldri være alene under kontakt med dette produktet.

- Bare teknisk erfarne operatører bør bruke festeverktøyet.

- Ikke modifier festeverktøyet. Modifikasjoner kan redusere effektiviteten til sikkerhetstiltakene og øke risiko for operatør og/eller tilskuer.

BOSTITCH verktøy er presisjonsbygget og designet for festing av store volum med høy hastighet. Resultatene vil være meget gode og pålitelige om verktøyet blir brukt med forsiktighet og som beskrevet i anvisningen. Som med alle verktøy, må produsentens instruksjoner følges for å oppnå best resultater. Vennligst les denne håndboken nøye for å forstå sikkerhetsforskriftene og advarslene, før verktøyet tas i bruk. Anvisningene for installering, bruk og vedlikehold må leses nøye, og bevares for videre konsultering. Merk: Ved spesiell bruk av verktøyet, kan ekstra sikkerhetsforholdsregler være nødvendige. Kontakt din BOSTITCH representant eller forhandler ved ytterligere spørsmål angående bruk av verktøyet.

## **▲ MERK:**

BOSTITCH verktøy er blitt designet for å kunne gjøre kunder fornøyde og for å yte utmerkede resultater når de anvendes med BOSTITCH festeordninger, produsert med de eksakt samme standarder.

**BOSTITCH kan ikke stå ansvarlig for prestasjoner, om våre verktøy blir tatt i bruk med festeordninger eller utstyr som ikke svarer til BOSTITCHs spesifikke krav om originale BOSTITCH spiker, dykkert, kremper og utstyr.**

## **BEGRENSET GARANTI**

BOSTITCH vet at kvaliteten på produktene våre holder høy kvalitet, og vi tilbyr en garanti for profesjonelle brukere av produktet. Denne garantierklæringen kommer i tillegg til og påvirker på ingen måte dine kontraktsmessige rettigheter som profesjonell bruker eller dine lovbestemte rettigheter som en privat ikke-profesjonell bruker. Garantien er gyldig innenfor landene i Den europeiske union og Det europeiske frihandelsområdet.

Hvis ditt BOSTITCH-produkt blir defekt på grunn av feil på materialer eller i utførelse innen tolv måneder fra kjøpsdato, erstatter BOSTITCH alle defekte deler gratis eller – etter vårt skjønn – erstatter enheten vederlagsfritt, forutsatt at:

- Produktet ikke har blitt misbrukt
- Produktet har rimelig slitasje etter bruk
- Driverblader, støtfanger og O-ringer anses som normale slitasjedeler og er ikke inkludert
- Reparasjoner er ikke utført av uautorisert personale
- Kjøpsbevis gis
- Produktet returneres komplett med alle originale komponenter
- Produktet returneres på din regning, sammen med kjøpsbevis til vårt regionale reparasjonssenter eller autorisert garantisenter.

Hvis du vil gjøre et krav, kontakt din forhandler eller sjekk hvor din nærmeste autoriserte BOSTITCH-entreprenør eller reparasjonssenter er i BOSTITCH-katalogen, eller kontakt ditt BOSTITCH-kontor på adressen som oppgis i denne manualen.

## **SPELIELLE HENSYN**

Kun de festeordningene som svarer til bruksanvisningenes spesifikasjoner (se Verktøy Tekniske data) bør brukes på verktøyet. Av sikkerhetshensyn skal verktøyet og de spesifikke festeordningene betraktes som ett unikt sikkerhetssystem.

Kontroller alltid verktøyet for ødelagte, frakoblede eller slitte deler før bruk.

Reparasjoner skal kun utføres av autoriserte fagkyndige fra BOSTITCH, eller av andre spesialister, som skal følge sikkerhets-, bruks- og vedlikeholdsanvisningene i denne håndboken, den spesifikke verktøymanualen og i håndboken for Verktøy Tekniske Data.

**Merk:** Spesialister er personer som har, etter profesjonell opplæring eller erfaring, har oppnådd nok ekspertise med festeverktøy til å være i stand til å avgjøre om verktøyet er sikkert.

Stativ eller redskap til montering av verktøyet på en støtteanordning, for eksempel et arbeidsbord, må produseres slik at festeverktøyet kan festes på en sikker måte for det tiltenkte arbeidet, og dette for å unngå skader, forurengninger eller forskyvninger.

## SIKKERHETSINSTRUKSJONER



For å unngå alvorlige øyeskader grunnet flygende festeanordninger eller rusk bruk **BESKYTTELSEBRILLER** i overensstemmelse med forskrifter fra the American National Standards Institute, ANSI Z87.1. Sørg for at disse har både front- og sidebeskyttelse. Øyebeskyttelse kreves for å beskytte mot flygende festeanordninger og rusk, som kan føre til alvorlige skader på øynene. Brillert uten sidebeskyttelse og ansiktsbeskyttelse er ikke tilstrekkelig beskyttelse.

Øyebeskyttelse i samsvar med 89/686/EEC og med tilsvarende eller større grad enn det som defineres i EN166 bør brukes. Alle sidene av operatørens arbeid, miljø og andre type/r maskineri som brukes, bør også vurderes når man velger profesjonelt beskyttelsesutstyr.



**ADVARSEL: EKSTRA SIKKERHETSBEKYTTELSE** kan kreves i enkelte omstendigheter. For eksempel kan enkelte områder være utsatt for høyt støynivå som kan føre til hørselsskader. Den ansatte og brukeren må forsikre seg om å ha alt nødvendig hørselsvern, og at andre som oppholder seg i samme område også tar i bruk dette. I noen områder vil det være nødvendig å benytte hodebeskyttelse. Arbeidsgiver og bruker må sørge for at hodebeskyttelse brukes når det er nødvendig.

## STØYFARE

- Ubeskyttet eksponering for høye støynivåer kan forårsake permanent, hemmende, hørselstap og andre problem som tinnitus (ringing, summing, plystring eller susing i ørene).
- Risikouverdring og implementering av egnede kontroller av disse farene er essensielle.
- Egnert kontroll for å redusere risikoen kan være handlinger som dempende materialer som forhindrer at arbeidsutstyr «ringer».
- Bruk egnert hørselsvern.
- Bruk og vedlikehold verktøyet som anbefalt i disse instruksjonene for å forhindre unødvendig økning av støynivået.
- Hvis verktøyet har en støydemper, sørg alltid for at det er på plass og i god stand når verktøyet brukes.

## VIBRASJONSFARE

- Informasjon om hvordan føre en risikouverdring av disse farene og implementering av egnede kontroller er essensielt.
- Eksponering til vibrasjoner kan forårsake hemmende skade på nervene og blodtilførselen til hendene og armene.
- Ha på varme klær når du jobber i kalde omgivelser, og hold hendene varme og tørre.
- Hvis du opplever nummenhet, prikking, smerte eller at huden på fingrene og hendene blir hvit, søk medisinsk råd fra kvalifisert helseutøver angående de generelle aktivitetene.
- Bruk og vedlikehold verktøyet som anbefalt i disse instruksjonene for å forhindre unødvendig økning av vibrasjonsnivået.
- Hold verktøyet med et lett, men sikkert, grep da risikoen for vibrasjon er generelt høyere når gripestryken er høyere.

## SIKKERHETSANVISNINGER FOR LUFTTILFØRSEL OG KOPLINGER



Anvend ikke oksygen eller brennbare gasser som kraftkilde, da dette kan fremkalle en eksplosjon og muligens føre til skader.

Anvend ikke flaskegasser eller en lufttilførsel hvor maksimumstrykket kan overstige det maksimale trykket som er angitt i den spesifikke manualen til verktøyet, da verktøyet kan gå i stykker, eksplodere, og samtidig

påføre skader. Om maksimumstrykket skulle overskride dette trykket, må en trykkreduserende ventil med en nedstrømsventil være innebygget i lufttilførselen.

- Trykk ikke ned avtrekkeren eller sikkerhetsguiden mens verktøyet blir koplet til lufttilførselen. Verktøyet kan starte opp, og påføre skader.

- Koblingsanordningen på verktøyet må ikke romme trykk når lufttilførselen blir koblet fra. Dersom verktøyet blir feil montert, kan verktøyet forbli ladet med luft etter frakoblingen, og verktøyet er derfor fortsatt i stand til å skyte ut en festeanordning selv etter at lufttilførselen er frakoblet. Dett kan føre til personskader.

- For å unngå ulykker, koble alltid fra lufttilførselen:  
1) Før justeringer; 2) Ved betjening og vedlikehold;  
3) Ved å frigjøre en blokering; 4) Når verktøyet ikke er i bruk; 5) Ved flytting til et annet arbeidsområde.

## ⚠ SIKKERHETSANVISNINGER VED LADING AV VERKTØYET

Ved lading av verktøyet: 1) Ha aldri hender eller andre kroppsdeler i verktøyets utskytingsområde; 2) Sikt aldri med verktøyet på deg selv eller andre; 3) Trykk ikke ned avtrekkeren eller sikkerhetsguiden da dette kan føre til ulykker og personskader.

**Merk: Se egen Teknisk datamannal for verktøyet for å få spesifikke lasteinstruksjoner og anbefalte festeanordninger.**

## ⚠ SIKKERHETSANVISNINGER VED BRUK AV VERKTØYET

- Anvend alltid verktøyet forsiktig: 1) Ikke lek med verktøyet; 2) Trykk ikke ned avtrekkeren så lenge spissen ikke er rettet mot arbeidsstykket; 3) Hold andre på en sikker avstand fra verktøyet mens arbeidet utføres, for å unngå ulykker og personskader.

- Brukeren må ikke holde avtrekkeren nede på verktøy utstyrt med sikkerhetsguide (også kalt sikkerhetsutløser) under festeoperasjoner, ettersom alvorlige ulykker kan oppstå hvis sikkerhetsguiden (sikkerhetsutløser) ved et uhell kommer i kontakt med noen eller noe som forårsaker at verktøyet kan starte utskytning.

- Hold hender og kroppsdeler vekk fra verktøyets utskytingsområde. Et verktøy med sikkerhetsguide kan sprette tilbake av rekylen ved festeoperasjonen og en festeanordning til kan frigjøres. Dette kan føre til skader.

- Kontroller ofte sikkerhetsguidens mekanisme. Bruk ikke verktøyet om sikkerhetsguiden ikke fungerer på korrekt måte. Dette kan føre til ulykker. Ikke lag forandringer på sikkerhetsguidens mekanisme.

- Ikke plasser festeanordninger oppå andre festeanordninger, da disse kan bøye seg og føre til skader.

- Bruk ikke festeverktøyet nære kanten på arbeidsmaterialet, da treverket kan sprekke. Dette kan igjen føre til avvik i festingen og igjen føre til ulykker.

- Ikke overvurder. Brukes kun på sikker arbeidsplass. Bruk riktig fotfeste og balanse til enhver tid.

- Hold tilskuere på avstand (når du jobber i et område med sannsynlighet for mye persontrafikk). Merk bruksområdet tydelig.

- Bruk alltid det andre håndtaket (hvis relevant):

- Bruk kun hansker som gir tilstrekkelig følelse og sikkerhetskontroll på avtrekker og justeringsheter.

- Rester fra arbeidsstykke eller feste/kollasjonssystemet kan avgis under bruk.

- Vær forsiktig med verktøy uten kontakt med arbeidsstykket da de kan utløses ved uhell og skade operatør og/eller tilskuer.

- Sørg for at verktøyet alltid er festet sikkert på arbeidsstykket og ikke kan skli.

- Vedlikehold en balansert kroppsposisjon og sikkert fotfeste.

- Egnede vernebriller må brukes og egnede hansker og verneustyr anbefales.

## ⚠ SIKKERHETSANVISNINGER FOR VERKTØYSVEDLIKEHOLD

Når man arbeider med trykkluftverktøy, er det viktig å lese advarslene i denne håndboken, i de spesifikke anvisningene for verktøyet, og på selve verktøyet. Vær ekstra forsiktig dersom et verktøy med problemer inspiseres.

## ⚠ LUFTILFØRSEL OG KOPLINGER

Ved kobling av verktøy til lufttilførselen bør verktøyets festeanordnings avløpsområde peke vekk fra operatøren og andre i arbeidsområdet. Legg verktøyets avløpsområde over et prøvestykke med passende tykkelse som fullt ut vil romme dimensjonene av festeanordningen som skal drives. Koblingen av lufttilførselen kan foretas når lemmer og kroppen står klare av verktøyets avløpsområdet.



For å unngå ulykker og personskader, frakople alltid lufttilførselen:

1. Før justeringer.
  2. Ved vedlikehold av verktøyet.
  3. Når forklaring skal frigjøres.
  4. Når verktøyet ikke er i bruk.
  5. Ved flytting til et annet arbeidsområde, da aktivering kan oppstå ved uhell og forårsake skade.
- Kompressorer må ha riktig størrelse for å kunne generere nok trykk og volumetrisk flyt til den tiltenkte bruk. Senkning i trykket i lufttilførselen kan redusere verktøyets kraft. Henvisning til Verktøyets Tekniske Data for å justere trykket.
  - Industrielle luftledninger bør installeres ut på et skråplan, med det høyeste punktet nærmest kompressoren. Lett tilgjengelige vannutskillerere bør installeres ved det laveste punktet. Tapp vannutskillerene minst en gang pr. dag, eller oftere om nødvendig. Slagg og vann i lufttilførselen er hovedmotivene for slitasje på lufttrykkverktøy. Koblingspunkter for verktøyet bør være utstyrt med et filter/en reguleringsmekanisme/en vedlikeholdsenhet direkte til koblingspunktet. Et filter vil gi best arbeidsutøvelse og minimalisere slitasje. Filteret må ha riktig kapasitet for sin spesifikke installasjon. Filteret må holdes rent for å kunne effektivt levere ren komprimert luft til verktøyet. Se produsentens instruksjoner angående korrekt vedlikehold av filteret. Et skittent og tilstoppet filter vil fremkalle en senkning i trykket, og dette vil føre til dårligere arbeidsutførelse.
  - Forbindelser til verktøyet fra industrielle luftledninger, bør være fra toppen av luftledningen.
  - Luftslanger bør ha minst 10,6 bar arbeidstrykksvurdering eller 150 % av maks trykk som kan leveres i luftsystemet. Tilførselsslanger bør ha et beslag som gir «raks frakobling» fra den hankjønnede pluggen på verktøyet.
  - Forsikre deg om at trykket tilført verktøyet ikke overskrider maksimalt tillatt trykk, kalt "ps max." (se Verktøyets Tekniske Data). I begynnelsen bør trykktilførselen settes til det laveste tillatte og anbefalte arbeidstrykk. (se Verktøyets Tekniske Data).
  - Kontroller at verktøyet fungerer på korrekt måte, ved å peke spissen mot en trebit som skal mates, og trekke av avtrekkeren en eller to ganger.

## SMØRING

- En regelmessig, men ikke overdreven smøring er nødvendig for en korrekt arbeidsutførelse. Olje som tilføres gjennom luftledningskobleren, vil smøre de innvendige delene. For detaljer angående korrekt smøremiddel, konsulter Verktøyets Tekniske Data. Ta ikke i bruk rengjøringsolje eller andre tilsetninger, da disse smøremidlene vil slite mer og raskere på tetningene og støtfangerne i verktøyet. Dette vil resultere i en dårligere arbeidsutførelse og oftere vedlikehold av verktøyet.
  - Om ikke luftlednings-smøremidler tas i bruk, tilfør olje i luftkoplingen på verktøyet en eller to ganger om dagen. Kun noen dråper olje (3–5) hver gang holder. For mye olje vil bare samles opp inne i verktøyet og vil komme frem i utløppssyklusen.
  - Arbeid i kaldt vær. - Ved arbeid i kaldt vær, nær eller under frysepunkt, kan fuktigheten i luftlinjen fryse og hindre arbeidet med verktøyet. Vi anbefaler å anvende BOSTITCH Formula smøremiddel for trykkluftverktøy eller permanent antifrysmiddel (etylenglykol(a)) som kaldtværsmøremiddel.
- Advarsel!** - For å unngå at is formerer seg på verktøyets ventiler og mekanismer, som igjen kan føre til verktøysvikt, oppbevar ikke verktøyet i kalde omgivelser.

**Merk:** Noen tørkevæsker for luftledninger som selges i dag, kan virke skadende på "O"-ringer og tetninger. Anvend aldri lavtemperatur lufttørkere før du har sjekket kompatibiliteten.

## ▲ BRUK

**For å unngå alvorlige øyeskader grunnet flygende festeordninger eller rusk bruk**

**BESKYTTELSESBRILLER** i overensstemmelse med forskrifter fra The American National Standards Institute, ANSI Z87.1. Sørg for at disse har både **front- og sidebeskyttelse**. Øyebeskyttelse kreves for å beskytte mot flygende festeordninger og rusk, som kan føre til alvorlige skader på øynene. Briller uten sidebeskyttelse og ansiktsbeskyttelse er ikke tilstrekkelig beskyttelse.

Den ansatte og/eller brukeren må forsikre seg om at riktig øyebeskyttelse blir brukt. **Merk:** Vernebriller uten beskyttelse på sidene og briller med kun ansiktsskjold gir ikke tilstrekkelig beskyttelse.

**▲ ADVARSEL!** Hvis verktøyet har blitt mistet eller du mistenker skade på verktøyet, utfør en driftssjekk av verktøyet som angitt i seksjonen driftssjekk av verktøy.

## FOR Å UNNGÅ ULYKKESSKADER:

- Ha aldri hender eller andre kroppsdeler i verktøyets utskytingsområde mens lufttrykket er koplet til.
- Sikt aldri med verktøyet på andre.
- Lek aldri med verktøyet.

- Trykk ikke ned avtrekkeren så lenge spissen ikke er rettet mot arbeidet.
- Behandle alltid verktøyet forsiktig.
- Trykk ikke ned avtrekkeren eller sikkerhetsguiden mens verktøyet lades.

## DRIFTSTYPER : BOSTITCH tilbyr SYV ulike driftstyper:

Driftstype	Referanse til verktøyveiledning	Sikkerhetsguide / sikkerhetsutløser
KONTAKTAKTIVERT AVTREKK	1	✓
DELVIS SEKVENSIELL UTLØSERMODUS	2	✓
FULL SEKVENSIELL UTLØSERMODUS	2A	✓
UTLØSERDREVET	3	✗
ARBEID MED KONTINUERLIG KONTAKTUTLØSER	4	✓
KONTINUERLIG ARBEIDSUTFØRELSE («AUTOMATISK»)	5	✗
VALGBAR UTLØSERMODUS	6	✓

## VERKTØY UTEN SIKKERHETSGUIDE (OGSÅ KALT SIKKERHETSUTLØSER) – to arbeidsmetoder er mulige:

### MANØVRERT AVTREKKER

#### (henvisning 3 i Teknisk datatabell, kolonne L(a))

Modellen for verktøy med manøvrert avtrekker sirkuleres kun ved aktivering av utløser. Denne modellen har ikke sikkerhetsguide, og er tenkt til bruk kun hvor en kontakt- eller sikkerhetsguide IKKE KAN anvendes for å tilfredsstille brukerkrav. Verktøyet med manøvrert avtrekker vil starte opp hver gang avtrekkeren aktiveres.

## VERKTØY MED SIKKERHETSGUIDE – fem tilgjengelige driftstyper:

Alt verktøy med sikkerhetsutløser er merket med en omvendt likesidet trekant(t). Verktøy som bærer dette merket må ikke brukes hvis sikkerhetsutløseren mangler eller virker ødelagt.

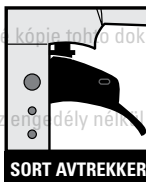
De fleste verktøyene er utstyrt med en sikkerhetsguide som vanligvis er i posisjonen "utvidet" eller "ned" (Referanse 1 i teknisk datatabell, kolonne L(b)). Noen verktøy er utstyrt med en sikkerhetsguide som vanligvis er i posisjonen "senket" eller "opp" (Referanse 2 i teknisk datatabell, kolonne L(b)). Se håndboken Verktøytekniske data som gjelder for ditt verktøy, for fullstendige opplysninger om hvordan denne funksjonen brukes.

### KONTINUERLIG AVFYRING, ELLER "AUTOMATISK"

#### AVFYRING

#### (Henvisning 5 i Teknisk Data Tabell, kolonne L(a)).

Med den kontinuerlige avfyringsmodellen repeteres operasjonssyklusen så lenge avtrekkeren holdes nede. Denne modellen har ikke sikkerhetsguide, og er tenkt til bruk kun hvor en kontakt- eller sikkerhetsguide IKKE KAN anvendes for å tilfredsstille brukerkrav.



### KONTAKTAKTIVERINGSMODUS (SVART UTLØSER) (Henvisning 1 i Teknisk Data Tabell, kolonne L(a))

Den vanlige driftsprosedyren for «Kontaktmodus» eller «Bumpmodus»-verktøyet er at operatøren aktiverer sikkerhetsguiden mens de holder inne avtrekkeren, og dermed fører inn en festeanordning hver gang

Verktøyet er i kontakt med arbeidsstykket. Dette tillater rask plassering av festeordninger for mange arbeidstyper, som for eksempel under montering av kasser og paller. Alle pneumatiske verktøy opplever rekyl under utløsning av festeordninger. Verktøyet kan sprette tilbake, flytte sikkerhetsguiden, og uforsettlig bevege sikkerhetsguiden mot en annen arbeidsflate, med avtrekkeren fortsatt aktivert (finger som fortsatt holder avtrekkeren nede), og en annen uønsket festeordning kan skytes ut.



**⚠ ADVARSEL!** Verktøy merket med dette symbolet har enten kontaktutløsning, kontinuerlig kontaktutløsning eller valgbar utløser.

Disse verktøyene er utviklet for bruk i produksjonsapplikasjoner som paller, møbler, produserte boliger eller møbeltrekk. **IKKE** bruk dette verktøyet i kontaktutløsning for applikasjon som lukkekasser, eller sikkerhetssystemer for monteringstransport på lastebiler. Dette verktøyet må kun brukes under sikre arbeidsomgivelser. Utvis forsiktighet for å hindre feilaktig utløsning når du endrer arbeidsposisjon.



## SEKVENSMODUS UTLØSER-2 TYPER (GRÅ UTLØSER):

**TYPE 1: DELVIS SEKVENSAKTIVERING UTLØSER (Se henvisning 2 i teknisk datablatt, kolonne L(a))**

Delvis sekvensmodus utløseren krever at operatøren holder verktøyet mot gjenstanden det jobbes på med sikkerhetsutløseren trykket ned, før utløseren trykkes inn. For å kunne føre inn ytterligere festeordninger, må utløseren slippes og trykkes ned igjen, slik at verktøyet fungerer. Verktøyet vil fortsette å fungere hver gang utløseren trykkes ned mens verktøyet fortsatt holdes mot arbeidsstykket.

**TYPE 2: FULLT SEKVENSMODUS UTLØSER (Se henvisning 2A i teknisk datablatt, kolonne L(a))**

Den fullt sekvensielle utløseren Fullt sekvensmodus fungerer omtrent som delvis sekvensmodus utløseren, bortsett fra at for å kunne føre inn ytterligere festeordninger, må utløseren slippes, og verktøyet må løftes opp fra arbeidsstykket og igjen trykkes mot arbeidsstykket, før dette gjentas.

Begge typer sekvensmodus utløser gjør det enklere å plassere festeordningene nøyaktig, for eksempel

på rammer, ved skråspikring og når gjenspikring av kasser. Sekvensmodus tillater nøyaktig festeplassering uten fare for å utløse en ekstra festeordning under rekyl, som beskrevet i Kontaktutløsningsmodus (nedenfor). Sekvensmodus verktøyet har en positiv sikkerhetsfordel fordi den ikke kan feilaktig utløse en festeordning dersom verktøyet er i kontakt med arbeidsverket – eller noe annet – mens operatøren holder inn avtrekkeren.

## ARBEID MED KONTINUERLIG KONTAKTUTLØSER, ET MANØVRERT AVTREKKER (henvisning 4 i Teknisk datablatt, kolonne L(a))

Med Kontinuerlig Kontakt-arbeidsverktøy er det mulig å utføre sykluser hvor arbeidet repeteres hele tiden mens avtrekkeren og sikkerhetsguiden er aktivert. Før behandling eller arbeidsutøvelser med dette verktøyet:

Les og forstå advarslene i denne håndboken. Les i Verktøyets Tekniske Data for å identifisere operasjonssystemet på ditt verktøy.



**⚠ ADVARSEL!** Verktøy merket med dette symbolet har enten kontaktutløsning, kontinuerlig kontaktutløsning eller valgbar utløser.

Disse verktøyene er utviklet for bruk i produksjonsapplikasjoner som paller, møbler, produserte boliger eller møbeltrekk. **IKKE** bruk dette verktøyet i kontaktutløsning for applikasjon som lukkekasser, eller sikkerhetssystemer for monteringstransport på lastebiler. Dette verktøyet må kun brukes under sikre arbeidsomgivelser. Utvis forsiktighet for å hindre feilaktig utløsning når du endrer arbeidsposisjon.



## VALGBART AKTIVERINGSMODUS (henvisning 6 i Teknisk datablatt, kolonne L(a))

Noen verktøy er utstyrt med valgbar modus som lar brukeren bytte mellom sekvensmodus eller kontaktaktiveringsmodus.

Type modus som er valgt, vises med stillingen til modusbryteren. Kontaktaktiveringsmodus er valgt hvis bryteren peker ned mot multi-spikersymbolet som er stanset inn i rammen på verktøyet. Sekvensmodus er valgt hvis bryteren peker ned mot enkeltspikersymbolet

som er stanset inn i rammen på verktøyet. Før du velger modus må du ha lest og forstått avsnittene Kontaktmodus og Sekvensmodus ovenfor.

Se håndboken Verktøytekniske data som gjelder for ditt verktøy, for fullstendige opplysninger om hvordan denne funksjonen brukes.



**⚠ ADVARSEL!** Verktøy merket med dette symbolet har enten kontaktutløsning, kontinuerlig kontaktutløsning eller valgbar utløser.

Disse verktøyene er utviklet for bruk i produksjonsapplikasjoner som pallér, møbler, produserte boliger eller møbeltrekk. **IKKE** bruk dette verktøyet i kontaktutløsning for applikasjon som lukkekasser, eller sikkerhetssystemer for monteringstransport på lastebiler. Dette verktøyet må kun brukes under sikre arbeidsomgivelser. Utvis forsiktighet for å hindre feilaktig utløsning når du endrer arbeidsposisjon.

## KONTROLL AV VERKTØYETS ARBEIDSPRESTASJONER

**ADVARSEL:** Fjern alle festeanordninger fra verktøyet før en kontroll av verktøyets arbeidsprestasjoner utføres.

**⚠ ADVARSEL!** Hvis verktøyet har blitt mistet eller du mistenker skade på verktøyet, utfør en driftssjekk av verktøyet som angitt i seksjonen driftssjekk av verktøy.

### VERKTØY MED MANØVRERT AVTREKK:

- A) Med fingeren på avtrekkeren, hold verktøyet med et fast grep i håndtaket.
- B) Plasser nesen på verktøyet mot arbeidsoverflaten.
- C) Press på avtrekkeren for å skyte en festeanordning. Slipp opp avtrekkeren og syklusen er komplett.

**OBS:** Verktøyet vil aktiveres hver gang avtrekkeren blir presset inn.

### VERKTØY MED KONTINUERLIG ARBEIDSFØREELSE («AUTOMATISK»)

- A) Med fingeren på avtrekkeren, hold verktøyet med et fast grep i håndtaket.
- B) Plasser nesen på verktøyet mot arbeidsoverflaten.

- C) Press inn avtrekkeren og før verktøyet enten fra side til side eller forover eller bakover. Verktøyet vil fortsette å skyte helt til avtrekkeren slippes opp.

**OBS:** Sørg for at verktøyet holdes fast mot arbeidsoverflaten og ikke kommer nær kantene til arbeidsoverflaten under arbeidet. En festeanordning kan skytes ut i luften og potensielt påføre skader.

### ARBEID MED KONTAKTAKTIVERT AVTREKK

- A) Uten å berøre avtrekkeren, press sikkerhetsguiden mot arbeidsoverflaten.  
**VERKTØYET MÅ IKKE GÅ I SYKLUS.**
- B) Hold verktøyet unna arbeidsflaten og trykk inn avtrekkeren. Unngå å rette verktøyet mot deg selv eller andre.  
**VERKTØYET MÅ IKKE GÅ I SYKLUS.**
- C) Trykk inn avtrekkeren når verktøyet er løftet fra arbeidsflaten. Press sikkerhetsguiden mot arbeidsoverflaten. **VERKTØYET MÅ GÅ I SYKLUS.**
- D) Uten å berøre avtrekkeren, press sikkerhetsguiden mot arbeidsoverflaten, press så inn avtrekkeren. **VERKTØYET MÅ GÅ I SYKLUS.**

### ARBEIDE MED DELVIS SEKVENSMODUS

- A) Trykk sikkerhetsguiden mot arbeidsflaten, uten å røre utløseren.  
**VERKTØYET MÅ IKKE GÅ I SYKLUS.**
- B) Hold verktøyet unna arbeidsflaten og trykk inn avtrekkeren. Unngå å rette verktøyet mot deg selv eller andre.  
**VERKTØYET MÅ IKKE GÅ I SYKLUS.**
- C) Trykk inn avtrekkeren når verktøyet er løftet fra arbeidsflaten. Trykk sikkerhetsguiden mot arbeidsflaten.  
**VERKTØYET MÅ IKKE GÅ I SYKLUS.**
- D) Trykk sikkerhetsguiden mot arbeidsflaten, uten å røre utløseren. Trykk deretter på utløseren.  
**VERKTØYET MÅ GÅ I SYKLUS.**
- E) Med sikkerhetsguiden fortsatt presset mot arbeidsflaten, trykker du nok en gang på utløseren.  
**VERKTØYET MÅ GÅ I SYKLUS.**

### ARBEIDE MED FULLT SEKVENSMODUS

- A) Trykk sikkerhetsguiden mot arbeidsflaten, uten å røre utløseren.  
**VERKTØYET MÅ IKKE GÅ I SYKLUS.**

B) Hold verktøyet unna arbeidsflaten og trykk inn avtrekkeren. Unngå å rette verktøyet mot deg selv eller andre.

**VERKTØYET MÅ IKKE GÅ I SYKLUS.**

C) Trykk inn avtrekkeren når verktøyet er løftet fra arbeidsflaten. Trykk sikkerhetsguiden mot arbeidsflaten

**VERKTØYET MÅ IKKE GÅ I SYKLUS.**

D) Trykk sikkerhetsguiden mot arbeidsflaten, uten å røre utløseren. Trykk deretter på utløseren.

**VERKTØYET MÅ GÅ I SYKLUS.**

E) Med sikkerhetsguiden fortsatt presset mot arbeidsflaten, trykker du nok en gang på utløseren.

**VERKTØYET MÅ IKKE GÅ I SYKLUS.**

## ARBEID MED KONTINUERLIG KONTAKTLØSER:

A) Uten å berøre avtrekkeren, press sikkerhetsguiden mot arbeidsoverflaten.

**VERKTØYET MÅ IKKE GÅ I SYKLUS.**

B) Hold verktøyet unna arbeidsflaten og trykk inn avtrekkeren. Unngå å rette verktøyet mot deg selv eller andre.

**VERKTØYET MÅ IKKE GÅ I SYKLUS.**

C) Trykk inn avtrekkeren når verktøyet er løftet fra arbeidsflaten. Press sikkerhetsguiden mot arbeidsoverflaten, og før verktøyet fra side til side eller bakover og fremover.

**VERKTØYET MÅ GÅ I SYKLUS, OG FORTSETTE SLIK HELT TIL ENTEN AVTREKKEREN SLIPPES OPP ELLER OM VERKTØYET LØFTES VEKK FRA OVERFLATEN.**

D) Uten å berøre avtrekkeren, press sikkerhetsguiden mot arbeidsoverflaten, press så inn avtrekkeren

**VERKTØYET MÅ AVFYRE, OG FORTSETTE SLIK HELT TIL ENTEN AVTREKKEREN SLIPPES OPP ELLER OM VERKTØYET LØFTES VEKK FRA OVERFLATEN.**

## BRUK AV VERKTØYET

Etter å ha sjekket at verktøyet fungerer som det skal, skyv nesen mot arbeidsstykket og trekk inn avtrekkeren. Kontroller at festeanordningen er skutt inn.

- Om ikke festeanordningen går dypt nok, øk lufttrykket med 5–6 psig. (0,5 Bar) om gangen. Kontroll resultatet etter justeringen. Overskrid ikke det maksimalt tillatte arbeidstrykket (Se Verktøyet's Tekniske Data)
- Om festeanordningen går for dypt, reduser lufttrykket med 5–6 psig. (0,5 Bar) om gangen. Ikke forsøk å

bruke mindre enn anbefalt minimums arbeidstrykk (Se Verktøyet's Tekniske Data).

Arbeid alltid med det lavest mulige arbeidstrykket. Dette vil redusere støy og vibrasjon, og de interne delene på verktøyet vil vare lenger.

## I TILLEGG TIL DE ANDRE ADVARSLERNE I DENNE HÅNDBOKEN, VENNLIGT LES FØLGENDE FOR EN SIKKER ARBEIDSUTFØRELSE:

- Respekter ditt BOSTITCH trykkluftverktøy for det er et verktøy. Det er ikke en leke. Unngå derfor å leke med verktøyet.
- Bruk ditt BOSTITCH trykkluftverktøy kun til den bruken som det er tiltenkt.
- Bruk aldri verktøyet slik at en festeanordning kan skytes mot brukeren eller andre i arbeidsområdet.
- Bruk ikke verktøyet som en hammer.
- Bær alltid verktøyet i håndtaket. Bær aldri verktøyet i luftledningen. Bær aldri verktøyet med fingeren på avtrekkeren.
- Endre ikke verktøyet fra sin originale design eller funksjon, uten skriftlig autorisasjon fra BOSTITCH
- Vær alltid klar over at misbruk og ukorrekt behandling av dette verktøyet kan påføre deg selv eller andre skader.
- Bind eller tape aldri avtrekkeren eller sikkerhetsguiden i en aktiviserende posisjon.
- Gå aldri fra et verktøy ubevoktet med luftledningen koblet til.
- Bruk ikke dette verktøyet om det ikke har et lesbart advarselskilt
- Fortsett ikke å bruke et verktøy hvor det lekker luft eller som ikke fungerer som det skal. Kontakt din nærmeste BOSTITCH representant om verktøyet fortsetter å utøve funksjonelle problemer.
- Under bruken av verktøyet, hold det slik at ingen skader kan oppstå på hode eller på kroppen, i tilfelle verktøyet's rekyl øker grunnet en senkning i lufttrykktilførsel, eller p.g.a. harde overflater.
- Ikke arbeid nær hjørner eller kantene på arbeidsstykket. Festeanordningen kan gå igjennom arbeidsstykket, og føre til skader.
- Når verktøyet blir transportert, kople fra lufttilførselen først.
- Kontroller at både kontaktutløseren (om denne finnes) og avtrekkeren fungerer korrekt.

- Ikke demonter eller blokker noen av verktøyets deler, spesielt ikke kontaktutløseren.

- Unngå å slite verktøyet med slag.



- Ikke bruk skadet, splittet eller slitte luftslanger og utstyr



- Bær aldri verktøyet etter ledningen.

- Vær forsiktig når du bruker pneumatiske verktøy, da verktøyet kan bli kaldt, og påvirke grep og kontroll

### Farer ved repeterende bevegelser

- Når du bruker et verktøy i lengre perioder, kan operatøren oppleve ubehag i hendene, armene, skuldrene, nakken eller andre deler av kroppen.

Følgende gjelder:

- Når du bruker et verktøy bør operatøren bruke en egnet ergonomisk posisjon. Vedlikehold sikkert fotfeste og unngå ubekvemme eller ubalanserte posisjoner.

- Ikke ignorer varseltegn og symptomer som vedvarende eller gjentakende ubehag, smerte, pulsering, verk, kribling, nummenhet, en brennende følelse eller stivhet. Operatøren bør kontakte kvalifiserte helseutøver angående de generelle aktivitetene.

### Farer på arbeidsplassen

- Fall og snubling er store årsaker for skader på arbeidsplassen. Vær obs på glatte overflater etter bruk av verktøyet og også fallfarer som oppstår med luftslangen.

- Fortsett med ytterlig forsiktighet i ukjente omgivelser. Det kan finnes skjulte farer, som elektrisitet eller andre verktøykabler.

- Dette verktøyet er ikke tiltenkt bruk i potensielt eksplosive omgivelser og er ikke isolert fra å komme i kontakt med elektrisk strøm.

- Sørg for at det ikke er noen elektriske kabler, gassrør osv. som kan utgjøre en fare hvis de skades ved bruk av verktøyet.

### Restrisiko

Følgene farer er tilknyttet bruken av disse maskinene:

- Skader påført av feilaktig bruk av verktøyet.

- Tap av kontroll fordi verktøyet ikke ble holdt med et godt grep.

- Muskelbelastning på armer og hender, spesielt når du jobber over hodehøyde. Ta alltid jevnlige pauser når du jobber over lengre tid.

Til tross for bruk av relevante sikkerhetstiltak og sikkerhetsenheter, kan ikke restrisiko unngås. Disse er:

- Nedsatt hørsel

- Fare for personlig skade på grunn av flyvende partikler

- Farer for brannskader på grunn av at verktøyet blir for varmt under bruk.

- Fare for personlig skade på grunn av forlenget bruk.
- Tap av kontroll på grunn av rekyl.

- Fare for skade på grunn av klypepunkter, skarpe kanter og feilaktig håndtering av arbeidsstykkeet.
- Fare for skade forårsaket av skarpe kanter når du bytter spiker eller setter inn stikkspiker.

### STØY (Se Verktøyets Tekniske Data)

Støyverdiene for verktøyet har blitt studert og bestemt i overensstemmelse med EN 12549 - "Akustikk - Støyttestkode for festeverktøy – Teknisk Metode." Disse verdiene er relatert til selve verktøyets karakteristiske verdier, og har ikke noe å gjøre med støyet som utvikles ved bruk. Støyutvikling ved bruk vil for eksempel avhenge av omstendighetene, arbeidsstykket, arbeidsstykkestøtte, og antall operasjoner, osv.

Ettersom arbeidsomstendighetene og arbeidsstykkeene varierer fra gang til gang, må individuelle støyttilpasninger foretas, som for eksempel ved å plassere arbeidsstykket på et støydempende underlag, forutsette vibrasjon av arbeidsstykket ved hjelp av spenne fast, dekke til, eller regulere minimumskravet for lufttrykk til den spesielle jobben, etc.

### VIBRASJONSINFORMASJON (Se Verktøyets Tekniske Data)

Vibrasjonsverdiene for verktøyet har blitt studert og bestemt i overensstemmelse med ISO/WD 8662-11 "Måling av vibrasjon I elektriske håndverksverktøy - Del 11 Festeanordningsverktøy".

Denne verdien er relatert til selve verktøyets karakteristiske verdier, og har ikke noe å gjøre med

hånd-arm systemet ved bruk av verktøyet. Om hånd-arm systemet har noe med vibrasjonen å gjøre ved bruk av verktøyet, kan for eksempel avhenge av grepet,

arbeidsdireksjonen, regulering av trykkluftstilførselen, arbeidsstykket, arbeidsstykkets støtte, etc.

compliance for the products.

FR Reproduction interdite sans permission préalable. Les copies non autorisées de ce document ne signifient en rien que les produits soient conformes aux normes CE.

DE Vervielfältigung nicht ohne Genehmigung gestattet. Unzulässig erstellte Kopien dieses Dokuments erfüllen nicht die CE-Richtlinien für Produkte.

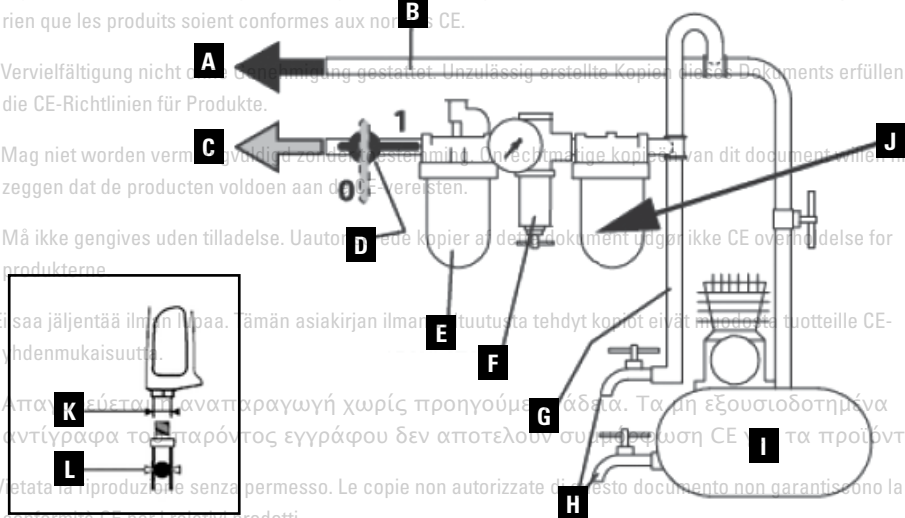
NL Mag niet worden vervaardigd of verspreid zonder toestemming. Onrechtmatige kopieën van dit document wijzen niet zeggende dat de producten voldoen aan de CE-vereisten.

DK Må ikke gengives uden tilladelse. Uautoriserede kopier af dette dokument udgør ikke CE overholdelse for produkterne.

FI Ei saa jäljentää ilman lupaa. Tämän asiakirjan ilman lupaa tuotusta tehdyt kopiot eivät myöskään tuotteille CE-yhtenmukaisuutta.

GR Απαγορεύεται η αναπαραγωγή χωρίς προηγούμενη άδεια. Τα μη εξουσιοδοτημένα αντίγραφα του παρόντος εγγράφου δεν αποτελούν σύμφωνη με τη CE τα προϊόντα.

IT Vietata la riproduzione senza permesso. Le copie non autorizzate di questo documento non garantiscono la conformità CE per i relativi prodotti.



- A) Til luftsystem
- B) Hovedlinjer (3 x inngangsstørrelse til luftverktøy)
- C) Til luftverktøy
- D) Nødventil
- E) Smøremiddel
- F) Regulator
- G) Grenrør (2 x inngangsstørrelse til luftverktøy)
- H) Avlørsrør
- I) Kompressor
- J) Filter
- K) 1/4" NPT Høyluftstrømsbeslag
- L) Luftslange 3/8" (10mm) I.D. Min.

ES Prohibida la reproducción sin permiso. Las copias no autorizadas de este documento no suponen la conformidad CE para los productos.

## PLASSERE VERKTØY I BRUK

Et luftfilter enhet (J) bør plasseres mellom luftkompressoren og luftsmøreren for å gi ren luft til verktøyet. Vann og smuss kan skade pneumatiske verktøy (se diagrammet ovenfor).

## FEILSØKING & VEDLIKEHOLD

Reparasjoner skal kun utføres av autoriserte fagkyndige fra BOSTITCH, eller av andre spesialister, som skal følge sikkerhets-, bruks- og vedlikeholdsanvisningene i denne håndboken, den spesifikke verktøymanualen og i håndboken for Verktøy Tekniske Data.

- Kople verktøyet fra lufttilførselen og tøm magasinet helt, før vedlikehold eller reparering startes opp. Vær oppmerksom på advarslene i denne håndboken i Verktøys Tekniske Data, og på selve verktøyet. Vær ekstra forsiktig ved bruk av verktøy med problemer.

• Kun BOSTITCH reservedeler bør brukes. Ikke ta i bruk endrede deler eller deler som ikke vil kunne utføre prestasjoner som originalproduktet.

- Når reparering av verktøyet utføres, forsikre deg om at de innvendige delene er rene og smurt. Bruk Parker "O"-Lube eller lignende produkter på alle "O"-ringer. Dekk hver "O"-ring med "O"-Lube før montering. Bruk litt olje på alle bevegende deler og akser. Etter å ha montert verktøyet igjen, tilfør noen dråper av BOSTITCH Air Tool Lubricant igjennom luftledningene før testing.
- For ytterligere instruksjoner som har med vedlikehold å gjøre, se i Verktøys Tekniske Data.
- Om problemet ikke kan løses ved å følge denne feilsøkningsguiden, kontakt din nærmeste BOSTITCH representant eller distributør.

NO

PROBLEM	ÅRSAK	LØSNING
Verktøyet utfører ikke arbeidssyklus for the products.	Begrenset lufttilførsel	Kontroller lufttilførselsstyr
FR Reproduction interdite sans permission préalable. Les copies non autorisées des produits soient conformes aux normes CE.	Verktøyet er tørt, mangel på smøremiddel	Bruk Bostitch Air Tool smøremiddel
DE Vervielfältigung nicht ohne Genehmigung. Unzulässige Kopien dieses Dokuments erfüllen nicht die CE-Richtlinien für Produkte.	Slitte hodeventiler O-ringer (om disse finnes)	Bytt ut O-ringene
NL Mag niet worden vermenigvuldigd. Het mag niet worden gezegd dat de producten voldoen aan de CE-richtlijn.	Ødelagt dekseljær på sylinder	Bytt ut sylinderens dekseljær
Kraftmangel, sen arbeidsutførelse	Hodeventil (om denne finnes) fastklemt i dekelet	Demonter/Kontrollerer/Smøre
Da er ikke tilladelse af kopier af dette dokument uden tilladelse af produktene.	For lavt lufttrykk	Kontrollerer lufttilførselsstyr
El Ei saa jäljentää ilman lupaa. Tämä dokumentin kopioita ei saa tehdä ilman valtuutusta tehty kopiota ei voida muodosta tuotteille CE-yhdenmukaisuutta.	Verktøyet er tørt, mangel på smøremiddel	Bruk Bostitch Air Tool smøremiddel
GR Απαγορεύεται η αναπαραγωγή ή αντιγραφή του παρόντος χωρίς την άδεια του κατασκευαστή. Οι αντιγραφές που δεν αποτελούν συμπλήρωση CE για τα προϊόντα.	Sylinderens dekseljær ødelagt	Bytt ut sylinderens dekseljær
IT Vietata la riproduzione senza permesso. Le copie non autorizzate di questo documento non rispettano la conformità CE per i relativi prodotti.	O-ringer/forseglinger er kuttet eller sprukket	Bytt ut O-ringer/forseglinger
NO Skal ikke reproduseres uten tillatelse. Dette dokumentet oppfyller ikke kravene for CE-merking for produktet.	Utløpet blokkert	Kontroller støtfangeren, hodeventilfjæren, lyddempingen
PT Reprodução proibida sem autorização. As cópias não autorizadas dos produtos não estão em conformidade com as normas CE.	Avtrekkermonteringen slitt/lekker	Bytt ut avtrekkermontering
ES Prohibida la reproducción sin permiso. Las copias no autorizadas de este documento no suponen la conformidad con las normas CE de los productos.	Sylinderhylsen er ikke plassert korrekt på bunnstøfangeren	Demontere for å rette opp problemet
S Prohibida la reproducción sin permiso. Las copias no autorizadas de este documento no suponen la conformidad con las normas CE de los productos.	Hodeventil tørr	Demontere/smøre
PL Niniejszy dokument nie może być kopiowany bez zezwolenia. Nieautoryzowane kopie niniejszego dokumentu nie stanowią deklaracji zgodności CE prezentowanych produktów.	O-ring kuttet eller ødelagt	Bytt ut O-ring
CZ Niniejszy dokument nie może być kopiowany bez pozwolenia. Nieautoryzowane kopie niniejszego dokumentu nie stanowią deklaracji zgodności CE prezentowanych produktów.	O-ringer/forseglinger er kuttet eller sprukket	Bytt ut O-ringer/forseglinger
Si prohibida la reproducción sin permiso. Las copias no autorizadas de este documento no suponen la conformidad con las normas CE de los productos.	O-ring eller pakning lekker luft	Bytt ut O-ring eller pakning
PT Niniejszy dokument nie może być kopiowany bez zezwolenia. Nieautoryzowane kopie niniejszego dokumentu nie stanowią deklaracji zgodności CE prezentowanych produktów.	Støtfanger sprukket/slitt	Bytt ut støtfanger
CZ Niniejszy dokument nie może być kopiowany bez pozwolenia. Nieautoryzowane kopie niniejszego dokumentu nie stanowią deklaracji zgodności CE prezentowanych produktów.	Ramme/deksel lekker luft	Bytt ut pakning eller forsegling
Si prohibida la reproducción sin permiso. Las copias no autorizadas de este documento no suponen la conformidad con las normas CE de los productos.	Ødelagt pakning eller forsegling	Bytt ut pakning eller forsegling
PL Niniejszy dokument nie może być kopiowany bez zezwolenia. Nieautoryzowane kopie niniejszego dokumentu nie stanowią deklaracji zgodności CE prezentowanych produktów.	Sprukket/slitt hodeventilstøfanger	Bytt ut støtfanger
CZ Niniejszy dokument nie może być kopiowany bez pozwolenia. Nieautoryzowane kopie niniejszego dokumentu nie stanowią deklaracji zgodności CE prezentowanych produktów.	Løse dekselskruer	Skru til og sjekk
Si prohibida la reproducción sin permiso. Las copias no autorizadas de este documento no suponen la conformidad con las normas CE de los productos.	Hopper over festeordninger; intermitterende mating	Bytt ut støtfanger
HU A dokumentum engedély nélkül nem másolható. Az engedély nélkül sokszorosított dokumentum nem jelenti a termék CE-megfelelését.	Begrenset luft/ikke riktig luftflyt gjennom hurtigfrakoblerkontakten og sokkelen	Bytt ut hurtigfrakoblere
RO Reproducerea neautorizată este interzisă. Copiile neautorizate ale acestui document nu reprezintă conformitatea CE pentru produse.	Slitt stempel O-ring (om denne finnes)	Bytt ut O-ring, kontroller drivhjul



PROBLEM	ÅRSAK	LØSNING
GB Not to be reproduced without permission for the products.	Verktøyet er tørt, mangel på smøremiddel	Bruk Bostitch Air Tool smøremiddel
FR Reproduction interdite sans permission préalable. Les copies non autorisées de ce document ne signifient en rien que les produits soient conformes aux normes CE.	Ødelagt støttfjær Lavt lufttrykk	Bytt ut fjær Kontrollerer lufttilførselssystemet til verktøyet
DE Vervielfältigung nicht ohne Genehmigung gestattet. Unzulässig erstellte Kopien dieses Dokuments erfüllen nicht die CE-Richtlinien für Produkte.	Løst magasin/spisskrue	Fest alle skruer
NL Mag niet worden vermenigvuldigd zonder toestemming. Onrechtmatige kopieën van dit document willen niet zeggen dat de producten voldoen aan de CE-vereisten.	Festeanordninger er for korte for verktøyet	Anvend kun anbefalte festeanordninger
DK Må ikke gengives uden tilladelse. Uautoriserede kopier af dette dokument angår ikke CE overholdelse for produkterne.	Bøyd festeanordninger	Ikke anvend disse festeanordningene lenger
FI Ei saa jäljentää ilman lupaa. Tämän asiakirjan ilman valtuutusta tehdyt kopiot eivät muodosta tuotteille CE-yhdenmukaisuutta.	Feil størrelse på festeanordningene	Anvend kun anbefalte festeanordninger
GR Απαγορεύεται η αναπαραγωγή χωρίς προηγούμενη άδεια. Τα μη εξουσιοδοτημένα αντίγραφα του παρόντος εγγράφου συμπεριλαμβάνουν συμπλήρωση CE για τα προϊόντα.	Lekkende toppdekselpakning	Skru til skruer/bytt pakning
IT Vietata la riproduzione senza permesso. Le copie non autorizzate di questo documento non suppongono la conformità CE per i relativi prodotti.	Avtrekkerventil O-ring kuttet/slitt	Bytt ut O-ring
NO Skal ikke reproduseres uten tillatelse. Ikke godkjente kopier av dette dokumentet oppfyller ikke kravene for	Ødelagt/avskallet drivhjul	Bytt ut drivhjul (kontroller stempel O-ring)
PT Reprodução proibida sem autorização prévia. As cópias não autorizadas deste documento não estão em conformidade com a CE para os produtos.	Festeanordninger blokkert i verktøyet	Bytt ut enden/kontroller dør
ES Prohibida la reproducción sin permiso. Las copias no autorizadas de este documento no suponen la conformidad con las normas CE de los productos.	Feil størrelse på festeanordningene	Anvend kun anbefalte festeanordninger
SE Prohibida la reproducción sin permiso. Las copias no autorizadas de este documento no suponen la conformidad con las normas CE de los productos.	Bøyd festeanordninger.	Ikke anvend disse festeanordningene lenger
PL Niniejszy dokument nie może być kopiowany bez pozwolenia. Nieautoryzowane kopie niniejszego dokumentu nie stanowią deklaracji zgodności CE prezentowanych produktów.	Løse magasin/spisskruer	Fest alle skruer
CZ Niniejszy dokument nie może być kopiowany bez pozwolenia. Nieautoryzowane kopie niniejszego dokumentu nie stanowią deklaracji zgodności CE prezentowanych produktów.	Ødelagt/avskallet drivhjul	Bytt ut drivhjul (kontroller stempel O-ring)
SK Rozmnožovanie bez povolenia je zakázané. Neoprávnené kópie tohto dokumentu nie sú v súlade s CE pre dané výrobky.		
HU A dokumentum engedély nélkül nem sokszorosítható. Az engedély nélkül sokszorosított dokumentum nem jelenti a termék CE-megfelelőségét.		
RO Reproducerea neautorizată este interzisă. Copiile neautorizate ale acestui document nu reprezintă conformitatea CE pentru produse.		

NO

# MANUAL DE SEGURANÇA E OPERAÇÃO



ANTES DE UTILIZAREM ESTA FERRAMENTA, TODOS OS OPERADORES DEVEM ESTUDAR ESTE MANUAL E OS DADOS TÉCNICOS DA FERRAMENTA PARA COMPREENDEREM E

SEGUIREM AS ADVERTÊNCIAS DE SEGURANÇA E AS INSTRUÇÕES. GUARDE ESTAS INSTRUÇÕES COM A FERRAMENTA PARA CONSULTA FUTURA. EM CASO DE DÚVIDAS, CONTACTE O SEU REPRESENTANTE OU DISTRIBUIDOR BOSTITCH.

ANTES DE UTILIZAR ESTA FERRAMENTA, CONSULTE A TABELA DE DADOS DA FERRAMENTA, COLUNA L, DO MANUAL DE DADOS TÉCNICOS DA FERRAMENTA PARA IDENTIFICAR O SISTEMA OPERATIVO DA SUA FERRAMENTA.

**Estas ferramentas de introdução de fixadores são ferramentas elétricas profissionais.**

NAO permita que crianças tenham contacto com a ferramenta. É necessária vigilância quando a ferramenta for utilizada por operadores inexperientes.

- Crianças e doentes. Este aparelho não se destina a ser utilizado por crianças ou doentes sem vigilância.

- Este produto não se destina a ser utilizado por pessoas (incluindo crianças) com capacidades físicas, sensoriais ou mentais diminuídas, falta de experiência, conhecimentos ou competências, a menos que sejam supervisionadas por uma pessoa responsável pela respetiva segurança. As crianças nunca devem ser deixadas sozinhas com este produto.

- Apenas operadores com competências técnicas devem utilizar a ferramenta de aplicação de fixadores.

- Não modifique a ferramenta de aplicação de fixadores. Modificações podem reduzir a eficácia das medidas de segurança e aumentar os riscos para o operador e/ou pessoas presentes.

As ferramentas BOSTITCH são produzidas com precisão e desenvolvidas para fixações a alta velocidade e em elevados volumes. Quando utilizadas corretamente e com cuidado, proporcionam um serviço eficiente e fiável. Tal como acontece com qualquer ferramenta elétrica de precisão, para obter os melhores resultados, deve cumprir as instruções do fabricante. Antes de utilizar a ferramenta, estude este manual e compreenda as advertências de segurança e as precauções. Deve ler atentamente as

instruções sobre instalação, operação e manutenção e guardar os manuais para consulta. Nota: podem ser necessárias medidas de segurança adicionais devido à aplicação da ferramenta em particular. Contacte o seu representante ou distribuidor BOSTITCH com quaisquer dúvidas relacionadas com a ferramenta e a respetiva utilização.

## NOTA:

as ferramentas BOSTITCH foram desenvolvidas para proporcionar uma excelente satisfação do cliente e desenhadas para permitir o máximo desempenho quando utilizadas com fixadores de precisão BOSTITCH criados com os mesmos padrões de exigência.

**A BOSTITCH não pode assumir a responsabilidade pelo desempenho do produto se alguma das nossas ferramentas for utilizada com fixadores ou acessórios que não cumpram os requisitos específicos estabelecidos para os pregos, agrafos e acessórios BOSTITCH genuínos.**

## GARANTIA LIMITADA

A BOSTITCH tem confiança na qualidade dos seus produtos e disponibiliza uma garantia para os utilizadores profissionais do produto. Esta declaração de garantia é adicional e não prejudica de forma alguma os seus direitos contratuais na qualidade de utilizador profissional nem os seus direitos legais de utilizador privado não profissional. A garantia é válida nos territórios dos estados-membros da União Europeia e da Zona de Comércio Livre Europeia.

Se o seu produto BOSTITCH apresentar um defeito devido a falha de material ou mão-de-obra no prazo de 12 meses a contar da compra, a BOSTITCH garante a substituição de todas as peças com defeito sem custos ou, mediante a nossa exclusiva decisão, a substituição da unidade sem quaisquer encargos desde que:

- O produto não tenha sido sujeito a utilização indevida
- O produto tenha sido sujeito a uma utilização e desgaste normais; lâminas do acionador, batentes e O-rings são considerados peças de desgaste normal e estão excluídos
- Não tenham sido efetuadas reparações por pessoas não autorizadas
- Seja apresentada a prova de compra
- O produto seja devolvido completo, com todos os componentes originais
- O produto deve ser devolvido às custas do utilizador, em conjunto com prova de compra, para o nosso centro de reparação regional ou para um centro de garantia autorizado.

Se pretender efetuar uma reclamação, contacte o vendedor ou verifique a localização do seu agente de reparação BOSTITCH autorizado mais próximo no catálogo BOSTITCH, ou contacte o seu gabinete BOSTITCH no endereço indicado neste manual.

## REFERÊNCIAS ESPECIAIS

Devem utilizar-se nesta ferramenta apenas os fixadores especificados nas instruções de utilização (ver Dados técnicos da ferramenta). Para sua segurança, a ferramenta e os fixadores deverão ser considerados como um sistema de segurança único.

Inspeccione sempre a ferramenta para identificar peças partidas, mal ligadas ou com desgaste.

As reparações deverão ser realizadas apenas por agentes autorizados BOSTITCH ou por outro pessoal especializado, prestando a devida atenção às instruções de segurança, funcionamento e manutenção deste manual, do manual da ferramenta específica e nos dados técnicos da ferramenta.

**Nota:** Pessoal especializado significa pessoal que, após ter recebido formação ou por experiência profissional, possui competências suficientes no setor das ferramentas de aplicação de fixadores que lhes permita poderem avaliar a respetiva segurança. Os apoios ou gabaritos para montagem da ferramenta num suporte, por exemplo, uma bancada de trabalho, devem ser desenvolvidos e construídos pelo fabricante do apoio de modo a que as ferramentas de aplicação de fixadores possam ser fixas em segurança para o fim previsto, evitando assim, por exemplo, danos, deformação ou deslocamento.

## INSTRUÇÕES DE SEGURANÇA



O operador da ferramenta e outras pessoas presentes na área de trabalho devem usar sempre **ÓCULOS DE PROTEÇÃO** que proporcionem proteção contra partículas expelidas da **FRENTE** e da **LATERAL** quando carregarem, utilizarem ou prestarem assistência a esta ferramenta. São necessários óculos de proteção para proteger contra a projeção de fixadores e resíduos, os quais podem causar graves lesões nos olhos. A entidade patronal e/ou utilizador devem garantir a utilização de óculos de proteção adequados.

Devem usar-se óculos de proteção em conformidade com a diretiva 89/686/EEC e

de nível idêntico ou superior ao definido na norma EN166. Todavia, quando da escolha de qualquer equipamento de proteção pessoal, devem também considerar-se todos os aspetos relacionados com o trabalho dos operadores, ambiente e outro(s) tipo(s) de máquinas utilizada(s).



**ATENÇÃO: OUTRAS MEDIDAS DE PROTEÇÃO** poderão ser necessárias em alguns ambientes. Por exemplo, a área de trabalho pode incluir exposição a níveis de ruído que podem provocar lesões ao nível dos ouvidos. A entidade patronal e o utilizador devem garantir a disponibilização e utilização de qualquer proteção auricular pelo operador e outras pessoas na área de trabalho. Alguns ambientes exigem a utilização de capacete de proteção. Quando necessário, a entidade patronal e o utilizador devem garantir a utilização de capacete.

## PERIGOS RELACIONADOS COM O RUÍDO

- A exposição desprotegida a elevados níveis de ruído pode causar perda auditiva incapacitante e permanente, bem como outros problemas, tais como zumbido (zunido ou assobio nos ouvidos).
- É essencial uma avaliação de riscos e a implementação de controlos adequados para estes riscos.
- Controlos adequados para redução do risco podem incluir ações como materiais de isolamento para impedir que as peças de trabalho “ressoem”.
- Utilizar proteção auricular adequada.
- Utilizar e proceder à manutenção da ferramenta conforme as recomendações destas instruções para impedir um aumento desnecessário dos níveis de ruído.
- Se a ferramenta tiver um silenciador, certifique-se sempre de que está instalado e em bom estado de funcionamento quando a ferramenta estiver a ser utilizada.

## PERIGOS RELACIONADOS COM A VIBRAÇÃO

- São essenciais informações para realizar uma avaliação de riscos a estes perigos, bem como a implementação de controlos adequados.
- A exposição a vibrações pode causar lesões incapacitantes ao nível dos nervos e do fornecimento de sangue para as mãos e os braços.

- Use vestuário quente quando trabalhar em condições com frio; mantenha as mãos quentes e secas.

- Se sentir perda de sensibilidade, formigamento, dor ou branqueamento da pele dos dedos ou mãos, procure aconselhamento médico junto de um profissional de saúde profissional qualificado relativamente às atividades globais.

- Utilize e proceda à manutenção da ferramenta conforme as recomendações destas instruções para impedir um aumento desnecessário dos níveis de vibração.

- Segure a ferramenta sem fazer demasiada força, mas com segurança, uma vez que o risco de vibração é geralmente maior quando se agarra com força.

### ⚠ INSTRUÇÕES DE SEGURANÇA RELATIVAS AO ABASTECIMENTO DE AR E LIGAÇÕES



Não utilize gases engarrafados ou uma fonte de abastecimento de ar como fonte de energia para as ferramentas pneumáticas.

Não utilize gases engarrafados ou uma fonte de abastecimento de ar quando a pressão máxima da linha puder exceder a pressão máxima indicada no manual da ferramenta específica pois a ferramenta pode rebentar, podendo causar lesões. Se a pressão do abastecimento de ar máxima puder exceder estas pressões, deverá instalar-se uma válvula de redução de pressão no abastecimento de ar.

- Não puxe o gatilho nem comprima o mecanismo do dispositivo de segurança enquanto estiver ligado ao abastecimento de ar. A ferramenta pode realizar um ciclo, podendo provocar lesões.

- O conector da ferramenta não deve reter pressão quando o abastecimento de ar for desligado. Se utilizar um acessório errado, a ferramenta pode permanecer carregada com ar depois de a desligar, podendo inserir um fixador mesmo depois de a linha de ar ser desligada, podendo causar lesões.

- Desligue sempre o abastecimento de ar: 1) Antes de efetuar ajustes; 2) Quando prestar assistência à ferramenta; 3) Quando eliminar uma obstrução; 4) Quando não estiver a utilizar a ferramenta; 5) Quando transportar para uma área de trabalho diferente, pois pode ocorrer um acionamento acidental, podendo provocar lesões.

### ⚠ INSTRUÇÕES DE SEGURANÇA PARA CARREGAMENTO DA FERRAMENTA

Quando carregar a ferramenta: 1) Não coloque a mão ou qualquer outra parte do corpo na zona de saída dos fixadores da ferramenta; 2) Não aponte a ferramenta para si próprio ou para terceiros; 3) Não aperte o gatilho nem pressione o mecanismo do dispositivo de segurança que pode provocar o acionamento acidental, podendo causar lesões.

**Nota: consulte o manual de dados técnicos da ferramenta para instruções de carregamento específicos e dimensões dos fixadores recomendados.**

### ⚠ INSTRUÇÕES DE SEGURANÇA PARA UTILIZAÇÃO DA FERRAMENTA

- Manuseie sempre a ferramenta com cuidado:
  - 1) Nunca tenha comportamentos irresponsáveis;
  - 2) Nunca pressione o gatilho a menos que o bocal esteja virado para a peça de trabalho;
  - 3) Mantenha as outras pessoas a uma distância segura da ferramenta enquanto esta estiver a ser utilizada, pois pode ocorrer um acionamento acidental, podendo provocar lesões.
- O operador não deve manter o gatilho pressionado em ferramentas equipadas com um mecanismo do dispositivo de segurança (por vezes designado interruptor de segurança) exceto durante a operação de fixação, pois podem resultar graves lesões se o mecanismo do dispositivo de segurança entrar acidentalmente em contacto com alguém ou algum objeto, fazendo com que a ferramenta efetue um ciclo.
- Mantenha as mãos e o corpo afastados da área de descarga da ferramenta. As ferramentas equipadas com mecanismo do dispositivo de segurança podem dar um coice ao aplicar um fixador, podendo fazer com que um segundo fixador possa ser aplicado, com possibilidade de provocar lesões.
- Verifique com frequência o funcionamento do mecanismo do dispositivo de segurança. Não utilize a ferramenta se o braço não estiver a funcionar corretamente pois pode resultar a aplicação acidental de um fixador. Não interfira na operação adequada do mecanismo do dispositivo de segurança.
- Não aplique fixadores em cima de outros fixadores pois pode provocar o desvio dos fixadores, podendo causar lesões.
- Não aplique fixadores perto da beira da peça de trabalho pois a madeira pode lascar, fazendo com que o fixador seja desviado e provoque lesões.

- Não se incline em demasia. Utilize apenas num local de trabalho seguro. Deve manter-se sempre bem equilibrado e apoiado.
- Não permita que as outras pessoas se aproximem (quando trabalhar numa área onde haja a probabilidade de passarem pessoas). Delimite claramente a sua área de trabalho.
- Utilize sempre o segundo punho (se fornecido).
- Utilize apenas luvas que proporcionem uma sensibilidade adequada e um controlo seguro dos gatilhos e de quaisquer dispositivos de regulação.
- Durante a operação, podem ser projetados resíduos da peça de trabalho e do sistema de fixação/recarga.

- Tenha cuidado com ferramentas sem contacto com a peça de trabalho pois podem ser acionadas acidentalmente e provocar lesões no operador e/ou noutras pessoas.
- Certifique-se de que a ferramenta está sempre engatada em segurança na peça de trabalho sem possibilidade de escorregar.
- Mantenha o corpo numa posição equilibrada e os pés bem apoiados.
- Deve usar óculos de proteção adequados, estando recomendadas luvas e vestuário de proteção apropriados.

## ⚠ INSTRUÇÕES DE SEGURANÇA PARA MANUTENÇÃO DA FERRAMENTA

Quando trabalhar em ferramentas pneumáticas, tenha em atenção as advertências deste manual, das instruções específicas da ferramenta e da ferramenta propriamente dita, e tenha um cuidado especial quando avaliar ferramentas com problemas.

### ⚠ ABASTECIMENTO DE AR E LIGAÇÕES

Quando ligar ferramentas ao abastecimento de ar, a área de descarga de fixadores da ferramenta deve estar virada para o lado oposto ao operador e outras pessoas presentes na área de trabalho. Posicione a área de descarga da ferramenta sobre uma peça de teste de um material de espessura suficiente na qual seja possível aplicar o fixador com as dimensões pretendidas. Com os membros e o corpo afastados da área de descarga, pode agora ligar o abastecimento de ar à ferramenta.

Para evitar o acionamento acidental e possíveis lesões, desligue sempre o abastecimento de ar:

1. Antes de efetuar ajustes.
2. Quando prestar assistência à ferramenta.
3. Quando eliminar uma obstrução.
4. Quando a ferramenta não estiver a ser utilizada.
5. Quando mudar para uma área de trabalho diferente, pois pode ocorrer o acionamento acidental, podendo causar lesões.

- Os compressores devem ter sempre as dimensões adequadas de modo a assegurar uma pressão e um fluxo volumétrico suficientes para o fim pretendido. Quedas de pressão no abastecimento de ar podem reduzir a potência de aplicação da ferramenta. Consulte os dados técnicos da ferramenta para definir a pressão correta para a ferramenta.
- As linhas de ar industrial devem ser instaladas numa inclinação com o ponto mais elevado mais perto do compressor. Devem ser instalados condensadores facilmente acessíveis nos pontos mais baixos. Drene os condensadores pelo menos uma vez por dia ou, se necessário, com mais frequência. Sujidade e água no abastecimento de água são as principais causas de desgaste das ferramentas pneumáticas. Os pontos de ligação da ferramenta devem integrar um filtro/regulador/unidade de assistência diretamente no ponto de ligação. Um filtro ajudará a obter o melhor desempenho e a minimizar o desgaste. O filtro deve ter uma capacidade de caudal adequada para a instalação em específico. Para que seja eficaz a fornecer ar comprimido limpo para a ferramenta, o filtro tem de ser mantido limpo. Consulte as instruções do fabricante relativamente à manutenção adequada do seu filtro. Um filtro sujo e entupido provocará uma queda de pressão, que reduzirá o desempenho do filtro.
- As ligações das linhas de ar industriais para a ferramenta devem ser efetuadas a partir da parte de cima da linha de ar.
- Os tubos flexíveis de ar devem ter uma pressão de trabalho mínima de 10,6 Bar ou 150% da pressão máxima que pode ser disponibilizada no sistema de ar. O tubo flexível de abastecimento deve integrar um acessório que proporcione um “desengate rápido” da ficha macho para a ferramenta.
- Certifique-se de que pressão fornecida para a ferramenta não excede a pressão de trabalho máxima, designada ps máx. (ver dados técnicos da ferramenta); inicialmente, defina a pressão de abastecimento na pressão de trabalho recomendada mais baixa (ver dados técnicos da ferramenta).

- Verifique se a ferramenta está a funcionar corretamente aplicando o bocal num pedaço de madeira e premindo o gatilho uma ou duas vezes.

## LUBRIFICAÇÃO

- Para conseguir o melhor desempenho, é necessária uma lubrificação frequente mas não excessiva.

O óleo adicionado pela ligação da linha de ar lubrifica os componentes internos. Para detalhes sobre o lubrificante correto, consulte os dados técnicos da ferramenta. Não utilize óleo detergente nem aditivos pois os lubrificantes provocam o desgaste acelerado dos vedantes e batentes da ferramenta, provocando um mau desempenho da ferramenta e uma manutenção frequente.

- Se não utilizar nenhum lubrificante da linha de ar, adicione óleo durante a utilização no acessório de ar da ferramenta uma ou duas vezes por dia. São necessárias algumas gotas (3-5) de óleo de cada vez. Demasiado óleo acumular-se-á no interior da ferramenta e será identificável no ciclo de escape.

- Operação com tempo frio. - Para operação com tempo frio, perto ou abaixo da temperatura de congelação, a humidade na linha de ar pode congelar e impedir o funcionamento da ferramenta. Recomendamos a utilização de lubrificante de ferramentas pneumáticas BOSTITCH Winter Formula (fórmula de inverno) ou de anticongelante permanente (etilenglicol) como lubrificante em tempo frio.

**Atenção** - Para impedir a formação de congelação ou gelo nas válvulas de operação e mecanismos da ferramenta, que podem provocar falha da mesma, não a guarde num ambiente com temperaturas baixas.

**Nota:** Alguns líquidos de secagem de linhas de ar disponíveis no mercado são prejudiciais para os O-rings e vedantes - não utilize esses líquidos de secagem de ar a baixa temperatura sem verificar a compatibilidade.

## ⚠ FUNCIONAMENTO

**O operador da ferramenta e outras pessoas presentes na área de trabalho devem usar sempre ÓCULOS DE PROTEÇÃO que proporcionem proteção contra partículas expelidas da FRENTE e da LATERAL quando carregarem, utilizarem ou prestarem assistência a esta ferramenta.** São necessários óculos de proteção para proteger contra a projeção de fixadores e resíduos, os quais podem causar

graves lesões nos olhos. A entidade patronal e/ou utilizador devem garantir a utilização de óculos de proteção adequados.

O equipamento de proteção dos olhos deve proporcionar proteção frontal e lateral. **Nota:** óculos de proteção e máscaras sem resguardo lateral não proporcionam uma proteção adequada.

**⚠ ADVERTÊNCIA!** Se a ferramenta cair ao chão ou se suspeitar de danos, efetue uma verificação ao funcionamento conforme se define na secção sobre verificação da operação da ferramenta.

## PARA PREVENIR LESÕES ACIDENTAIS:

- Nunca coloque uma mão ou qualquer outra parte do corpo na área de descarga de fixadores da ferramenta enquanto o abastecimento de ar estiver ligado.
- Nunca aponte a ferramenta para outra pessoa.
- Nunca tenha comportamentos irresponsáveis.
- Nunca pressione o gatilho se o bocal não estiver virado para o trabalho.
- Manuseie sempre a ferramenta com cuidado.
- Não puxe o gatilho nem comprima o mecanismo do dispositivo de segurança durante o carregamento da ferramenta.

## TIPOS DE OPERAÇÃO: A BOSTITCH disponibiliza SETE tipos de operação:

Tipo de operação	Referência no manual da ferramenta	Mecanismo do dispositivo de segurança / Interruptor de segurança
MODO COM ACIONAMENTO POR CONTACTO	1	✓
MODO COM ACIONAMENTO SEQUENCIAL PARCIAL	2	✓
MODO COM ACIONAMENTO SEQUENCIAL COMPLETO	2A	✓
ACIONADO POR GATILHO	3	✗
OPERAÇÃO COM ACIONAMENTO POR CONTACTO CONTÍNUO	4	✓
OPERAÇÃO CONTÍNUA COM GATILHO OU “OPERAÇÃO AUTOMÁTICA”	5	✗
MODO DE ACIONAMENTO SELECIONÁVEL	6	✓

### FERRAMENTAS SEM MECANISMO DO DISPOSITIVO DE SEGURANÇA (POR VEZES DESIGNADO INTERRUPTOR DE SEGURANÇA)

- dois tipos de operação possíveis:

#### ACIONADO POR GATILHO

(Referência 3 na tabela de dados técnicos, coluna L(a))

O modelo acionado por gatilho é acionado apenas mediante a pressão do gatilho. Este modelo não tem um mecanismo do dispositivo de segurança e destina-se a utilização exclusiva quando NÃO for possível utilizar um mecanismo do dispositivo de segurança de acordo com os requisitos da aplicação. A ferramenta acionada por gatilho é acionada sempre que se pressiona o gatilho.

#### OPERAÇÃO CONTÍNUA COM GATILHO, OU “OPERAÇÃO AUTOMÁTICA”

(Referência 5 na tabela de dados técnicos, coluna L(a)).

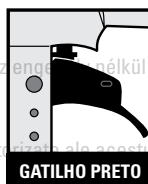
O modelo de operação contínua com gatilho permite a repetição de ciclos de aplicação enquanto o gatilho estiver pressionado. Este modelo não tem um mecanismo do dispositivo de segurança e destina-se a utilização exclusiva quando não for possível utilizar um mecanismo do dispositivo de segurança de acordo com os requisitos da aplicação.

### FERRAMENTAS COM MECANISMO DO DISPOSITIVO DE SEGURANÇA (POR VEZES DESIGNADO INTERRUPTOR DE SEGURANÇA)

- cinco tipos de operação possíveis:

Todas as ferramentas com um mecanismo do dispositivo de segurança estão assinaladas com um triângulo equilátero invertido (t). Não tente utilizar uma ferramenta assinalada com este símbolo se o mecanismo do dispositivo de segurança estiver em falta ou parecer estar danificado.

A maioria das ferramentas estão equipadas com um mecanismo do dispositivo de segurança que geralmente se encontra na posição “saída” ou “baixo” (Referência 1 na tabela de dados técnicos, coluna L(b)). Algumas ferramentas estão equipadas com um mecanismo do dispositivo de segurança que geralmente se encontra na posição “recolhida” ou “cima” (Referência 2 na tabela de dados técnicos, coluna L(b)). Consulte o manual de dados técnicos da ferramenta específico da sua ferramenta para obter instruções completas sobre esta funcionalidade.



GATILHO PRETO

#### MODO DE ATUAÇÃO POR CONTACTO (GATILHO PRETO)

(Referência 1 na tabela de dados técnicos, coluna L(a))

O normal procedimento de operação para as ferramentas

de “Modo por Contacto” ou “Modo por Impacto” necessita que o operador carregue no mecanismo do dispositivo de segurança, mantendo o gatilho premido, aplicando assim um fixador de cada vez que há um contacto com a peça. Tal permite um posicionamento rápido do fixador para aplicações variadas, tais como montagem de grades e paletes. Todas as ferramentas pneumáticas podem sofrer um coice aquando da aplicação de fixadores. Ao entrar por acaso em contacto com a superfície da peça com o gatilho ainda carregado (o dedo segura no gatilho), um segundo fixador não desejado pode ser disparado.



**⚠️ ADVERTÊNCIA!** As ferramentas assinaladas com este símbolo possuem acionamento por contacto, acionamento por contacto contínuo ou acionamento seleccionável.

Estas ferramentas foram concebidas para serem utilizadas em aplicações de produção como paletes, mobiliário, casas pré-fabricadas ou estofamento.

**NÃO** utilize esta ferramenta em atuação por contacto para trabalhos tais como fechar caixas ou grades e montar sistemas de segurança de transportes em reboques e camiões. Esta ferramenta só deve ser utilizada em locais de trabalho seguros. Deve prestar atenção para evitar o acionamento accidental ao mudar de uma posição de trabalho para outra.

sequencial parcial com a diferença de que para aplicar fixadores adicionais, o gatilho tem de ser libertado e a ferramenta levantada da peça e encostada outra vez à mesma antes de repetir.

Os dois tipos de modo sequencial facilitam a aplicação de fixadores com precisão, por exemplo, em molduras, armações e grades. O modo sequencial permite colocar o fixador da maneira certa sem riscos de colocar outro por causa do recuo conforme acima explicado, tal como se descreve em Acionamento por Contacto (a seguir). A ferramenta com modo sequencial oferece uma vantagem do ponto de vista da segurança pois torna possível colocar um fixador no caso de a ferramenta entrar em contacto com a peça – ou outro objeto qualquer – enquanto o utilizador estiver a carregar no gatilho.

## OPERAÇÃO COM ACIONAMENTO POR CONTACTO CONTÍNUO.

(Referência 4 na tabela de dados técnicos, coluna L(a))

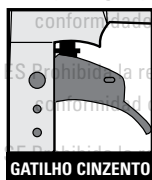
As ferramentas com operação por contacto contínuo permitem a repetição de ciclos de aplicação enquanto o gatilho e o mecanismo do dispositivo de segurança estiverem premidos.

Antes de manusear ou utilizar esta ferramenta:

Leia e compreenda as advertências deste manual. Consulte os dados técnicos da ferramenta para identificar o sistema operativo da sua ferramenta.



**⚠️ ADVERTÊNCIA!** As ferramentas assinaladas com este símbolo possuem acionamento por contacto, acionamento por contacto contínuo ou acionamento seleccionável.



## ACIONAMENTO SEQUENCIAL - 2 TIPOS (GATILHO CINZENTO):

### TIPO 1: MODO DE ACIONAMENTO SEQUENCIAL PARCIAL

(Referência 2 na tabela de dados técnicos, coluna L(a))

No modo de acionamento sequencial parcial, o utilizador deve utilizar a ferramenta contra a peça com o acionamento por contacto pressionado antes de carregar no gatilho. Para aplicar fixadores adicionais, o gatilho deve ser libertado e premido outra vez para que a ferramenta funcione. A ferramenta continuará a funcionar sempre que premir o gatilho enquanto a ferramenta estiver encostada à peça de trabalho.

### TIPO 2: MODO DE ACIONAMENTO SEQUENCIAL COMPLETO

(Referência 2A na tabela de dados técnicos, coluna L(a))

O modo de acionamento sequencial completo funciona de uma maneira semelhante ao modo de acionamento

Estas ferramentas foram concebidas para serem utilizadas em aplicações de produção como paletes, mobiliário, casas pré-fabricadas ou estofamento. **NÃO** utilize esta ferramenta em atuação por contacto para trabalhos tais como fechar caixas ou grades e montar sistemas de segurança de transportes em reboques e camiões. Esta ferramenta só deve ser utilizada em locais de trabalho seguros. Deve prestar atenção para evitar o acionamento accidental ao mudar de uma posição de trabalho para outra.





## MODO DE ACIONAMENTO SELECIONÁVEL

(Referência 6 na tabela de dados técnicos, coluna L(a))

Algumas ferramentas integram modo selecionável que permite ao utilizador alternar entre o modo de acionamento sequencial e o modo de acionamento por contacto.

O tipo de modo selecionado é indicado pela posição do interruptor de modo. Quando apontar para baixo para o ícone de vários pregos gravado na estrutura da ferramenta, o modo de acionamento por contacto está selecionado. Quando apontar para cima para o ícone de um só prego gravado na estrutura da ferramenta, o modo de acionamento sequencial está selecionado. Antes de seleccionar o modo pretendido, leia e compreenda as secções acima designadas. Modo de acionamento por contacto e Modo de acionamento sequencial.

Consulte o manual de dados técnicos da ferramenta específico da sua ferramenta para obter instruções completas sobre como utilizar esta funcionalidade.



**⚠ ADVERTÊNCIA!** As ferramentas assinaladas com este símbolo possuem acionamento por contacto, acionamento por contacto contínuo ou acionamento selecionável.

Estas ferramentas foram concebidas para serem utilizadas em aplicações de produção como paletes, mobiliário, casas pré-fabricadas ou estofamento. **NÃO** utilize esta ferramenta em atuação por contacto para trabalhos tais como fechar caixas ou grades e montar sistemas de segurança de transportes em reboques e camiões. Esta ferramenta só deve ser utilizada em locais de trabalho seguros. Deve prestar atenção para evitar o acionamento accidental ao mudar de uma posição de trabalho para outra.

## VERIFICAÇÃO DE OPERAÇÃO DA FERRAMENTA

**ATENÇÃO:** Remova todos os fixadores da ferramenta antes de efetuar a verificação de operação da ferramenta.

**⚠ ADVERTÊNCIA!** Se a ferramenta cair ao chão ou suspeitar de danos, efetue uma verificação ao funcionamento conforme se define na secção sobre verificação da operação da ferramenta.

conformitatea CE pentru produse.

## FERRAMENTA ACIONADA POR GATILHO:

A) Sem pressionar o gatilho, segure a ferramenta com firmeza pelo punho.

B) Coloque o bocal da ferramenta encostado à superfície de trabalho.

C) Pressione o gatilho para aplicar um fixador. Solte o gatilho e o ciclo fica concluído.

**ATENÇÃO:** A ferramenta realiza um ciclo sempre que pressiona o gatilho!

## OPERAÇÃO CONTÍNUA COM GATILHO OU "OPERAÇÃO AUTOMÁTICA"

A) Sem pressionar o gatilho, segure a ferramenta com firmeza pelo punho.

B) Coloque o bocal da ferramenta encostado à superfície de trabalho.

C) Pressione o gatilho e deslize a ferramenta lateralmente ou para a frente e para trás.

A ferramenta continuará a realizar o ciclo até libertar o gatilho.

**ATENÇÃO:** Certifique-se de que a ferramenta é mantida encostada com firmeza à superfície de trabalho e não se aproxima das beiras da superfície de trabalho durante a operação. Pode ocorrer a projeção de um fixador podendo causar lesões.

## OPERAÇÃO COM ACIONAMENTO POR CONTACTO

A) Sem pressionar o gatilho, encoste o mecanismo do dispositivo de segurança à superfície de trabalho.

**A FERRAMENTA NÃO DEVE EFETUAR O CICLO.**

B) Mantenha a ferramenta afastada da superfície de trabalho e, evitando virar a ferramenta para si e para outras pessoas, pressione o gatilho.

**A FERRAMENTA NÃO DEVE EFETUAR O CICLO.**

C) Com a ferramenta afastada da superfície de trabalho, pressione o gatilho. Pressione o mecanismo do dispositivo de segurança contra a superfície de trabalho

**A FERRAMENTA DEVE EFETUAR UM CICLO.**

D) Sem tocar no gatilho, pressione o mecanismo do dispositivo de segurança contra a superfície de trabalho e depois pressione o gatilho.

**A FERRAMENTA DEVE EFETUAR O CICLO.**

## OPERAÇÃO DE DISPARO SEQUENCIAL PARCIAL

A) Sem tocar no gatilho, encoste o mecanismo do dispositivo de segurança à superfície de trabalho.

**A FERRAMENTA NÃO DEVE EFETUAR O CICLO.**

B) Mantenha a ferramenta afastada da superfície de trabalho e, evitando virar a ferramenta para si e para outras pessoas, pressione o gatilho.

**A FERRAMENTA NÃO DEVE EFETUAR O CICLO.**

C) Com a ferramenta afastada da superfície de trabalho, pressione o gatilho. Pressione o mecanismo do dispositivo de segurança contra a superfície de trabalho.

**A FERRAMENTA NÃO DEVE EFETUAR O CICLO.**

D) Sem tocar no gatilho, pressione o interruptor de segurança contra a superfície de trabalho e depois pressione o gatilho.

**A FERRAMENTA DEVE EFETUAR O CICLO.**

E) Com o interruptor ainda pressionado contra a superfície de trabalho, pressione outra vez o gatilho.

**A FERRAMENTA DEVE EFETUAR O CICLO.**

conformità CE per i relativi prodotti.

## OPERAÇÃO DE DISPARO SEQUENCIAL COMPLETA

A) Sem tocar no gatilho, encoste o mecanismo do dispositivo de segurança à superfície de trabalho.

**A FERRAMENTA NÃO DEVE EFETUAR O CICLO.**

B) Mantenha a ferramenta afastada da superfície de trabalho e, evitando virar a ferramenta para si e para outras pessoas, pressione o gatilho.

**A FERRAMENTA NÃO DEVE EFETUAR O CICLO.**

C) Com a ferramenta afastada da superfície de trabalho, pressione o gatilho. Pressione o mecanismo do dispositivo de segurança contra a superfície de trabalho.

**A FERRAMENTA NÃO DEVE EFETUAR O CICLO.**

D) Sem tocar no gatilho, pressione o interruptor de segurança contra a superfície de trabalho e depois pressione o gatilho.

**A FERRAMENTA DEVE EFETUAR O CICLO.**

E) Com o interruptor ainda pressionado contra a superfície de trabalho, pressione outra vez o gatilho.

**A FERRAMENTA NÃO DEVE EFETUAR O CICLO.**

jelenti a termék CE-megfelelőségét.

RO Reproducerea neautorizată este interzisă. Copiile neautorizate pot fi dăunătoare conformitatea CE pentru produse.

## OPERAÇÃO COM ACIONAMENTO POR CONTACTO CONTÍNUO:

A) Sem pressionar o gatilho, encoste o mecanismo do dispositivo de segurança à superfície de trabalho.

**A FERRAMENTA NÃO DEVE EFETUAR O CICLO.**

B) Mantenha a ferramenta afastada da superfície de trabalho e, evitando virar a ferramenta para si e para outras pessoas, pressione o gatilho.

**A FERRAMENTA NÃO DEVE EFETUAR O CICLO.**

C) Com a ferramenta afastada da superfície de trabalho, pressione o gatilho. Pressione o mecanismo do dispositivo de segurança contra a superfície de trabalho e faça deslizar a ferramenta lateralmente ou para a frente e para trás.

**A FERRAMENTA DEVE REALIZAR O CICLO E CONTINUAR COM O MESMO ATÉ LIBERTAR O GATILHO OU AFASTAR A FERRAMENTA DA SUPERFÍCIE DE TRABALHO.**

D) Sem tocar no gatilho, pressione o mecanismo do dispositivo de segurança contra a superfície de trabalho e depois pressione o gatilho.

**A FERRAMENTA DEVE REALIZAR O CICLO E CONTINUAR COM O MESMO ATÉ LIBERTAR O GATILHO OU AFASTAR A FERRAMENTA DA SUPERFÍCIE DE TRABALHO.**

## UTILIZAÇÃO DA FERRAMENTA

Depois de verificar que a ferramenta está a funcionar corretamente, encoste o bocal à peça de trabalho e pressione o gatilho. Verifique se o fixador foi aplicado conforme pretendido.

- Se o fixador não for aplicado a uma profundidade suficiente, aumente a pressão do ar 0,5 Bar (5-6 PSI) de cada vez, verificando o resultado após cada ajuste. Não exceda a pressão de trabalho máxima permitida (ver dados técnicos da ferramenta)
- Se o fixador for aplicado a uma profundidade excessiva, reduza a pressão do ar 0,5 Bar (5-6 PSI) de cada vez, verificando o resultado após cada ajuste. Não tente aplicar uma pressão de trabalho inferior à mínima recomendada (ver dados técnicos da ferramenta).

Tente sempre trabalhar com a menor pressão possível. Deste modo reduzirá o ruído e a vibração produzidos e aumentará a vida útil dos componentes internos, como o batente.

## PARA ALÉM DAS OUTRAS ADVERTÊNCIAS DESTE MANUAL, CUMPRA O SEGUINTE PARA UMA OPERAÇÃO SEGURA:

• Respeite a sua ferramenta pneumática BOSTITCH enquanto ferramenta. A ferramenta não é um brinquedo. Não tenha comportamentos irresponsáveis.

• Utilize a ferramenta pneumática BOSTITCH apenas para os fins para os quais foi desenvolvida.

• Nunca utilize a ferramenta de maneira a virar um fixador para o utilizador ou para outras pessoas na área de trabalho.

• Não utilize a ferramenta como um martelo.

• Pegue sempre na ferramenta pelo punho. Nunca transporte a ferramenta pelo tubo de ar. Nunca transporte a ferramenta com o gatilho pressionado.

• Não altere nem modifique o design ou a função original desta ferramenta sem a autorização aprovada por escrito da BOSTITCH

• Tenha sempre em consideração que a utilização indevida é o manuseamento incorreto desta ferramenta pode provocar lesões em si mesmo e em terceiros.

• Nunca prenda ou cole o gatilho ou o mecanismo do dispositivo de segurança na posição de operação.

• Nunca deixe uma ferramenta sem vigilância com o tubo de ar ligado.

• Não utilize esta ferramenta se não tiver uma ETIQUETA DE ADVERTÊNCIA legível.

• Não continue a utilizar uma ferramenta com fuga de ar ou que não funcione corretamente. Informe o seu representante BOSTITCH mais próximo se a ferramenta continuar a apresentar problemas de funcionamento.

• Durante o funcionamento, segure a ferramenta de maneira a não provocar lesões na cabeça ou no corpo caso o recuo da ferramenta aumente devido a uma queda da pressão de ar ou a áreas duras na peça de trabalho.

• Não trabalhe perto de cantos ou da beira da peça de trabalho. O fixador pode escorregar para fora da peça de trabalho, podendo causar lesões.

• Quando transportar a ferramenta, desligue primeiro o abastecimento de ar.

• Verifique se o mecanismo do dispositivo de segurança (se existente) e o gatilho funcionam corretamente.

• Não desmonte nem obstrua qualquer parte desta ferramenta, principalmente o mecanismo do dispositivo de segurança.

• Evite enfraquecer a ferramenta perfurando-a ou gravando-a.



• Não utilize tubos de ar e acessórios danificados, desgastados ou deteriorados



• Não transporte a ferramenta pelo tubo flexível.

• Tenha cuidado quando utilizar ferramentas pneumáticas pois a ferramenta pode arrefecer, afetando a aderência e o controlo

### Perigos referentes a movimentos repetitivos

• Quando utilizar uma ferramenta durante longos períodos, o operador pode sentir desconforto nas mãos, braços, ombros, pescoço ou outras partes do corpo.

Aplicam-se as seguintes regras:

• Enquanto utilizar uma ferramenta, o operador deve adotar uma postura adequada mas ergonómica. Mantenha os pés bem apoiados e evite posturas desajeitadas ou em desequilíbrio.

• Se o operador sentir sintomas como desconforto, dor, latejar, estado doloroso, formigueiro, falta de sensibilidade, sensação de ardência ou rigidez persistentes ou recorrentes, não deve ignorar estes sinais de alerta. O operador deve consultar um profissional de saúde qualificado relativamente às suas atividades globais.

### Perigos no local de trabalho

• Escorregar, tropeçar e cair são importantes causas de lesões no local de trabalho. Cuidado com as superfícies escorregadias provocadas pela utilização da ferramenta e também com os perigos de tropeçar devido ao tubo de ar.

• Tenha um cuidado adicional em locais desconhecidos. Podem existir perigos ocultos, tais como linhas elétricas e outros serviços.

• Esta ferramenta não se destina a utilização em atmosferas potencialmente explosivas e não tem isolamento contra contacto com eletricidade.

• Certifique-se de que não existem cabos elétricos, tubos de gás, etc., que possam representar um perigo se forem danificados pela utilização da ferramenta.

## Riscos residuais 119

A utilização destas máquinas pode implicar os seguintes riscos:

- Lesões causadas pelo manuseamento desadequado da ferramenta.
- Perda de controlo devido a não segurar a ferramenta com firmeza.
- Luxação muscular nos braços e mãos, principalmente quando trabalhar acima da cabeça. Faça sempre intervalos regulares quando trabalhar durante longos períodos.

Não obstante a aplicação dos regulamentos de segurança relevantes e da implementação de dispositivos de segurança, não é possível evitar certos riscos residuais. São:

- Problemas auditivos
- Risco de lesão pessoal devido à projecção de partículas
- Risco de queimaduras devido ao aquecimento de acessórios durante o funcionamento.
- Risco de lesão pessoal devido a utilização prolongada.
- Perda de controlo devido a coice.
- Risco de lesão causada por pontos de entalamento, arestas afiadas e manuseamento desadequado da peça de trabalho.
- Risco de lesão causada por arestas afiadas ao substituir pregos ou inserir pregos em fita.

## EMISSÃO DE RUÍDO (ver dados técnicos da ferramenta)

Os valores de ruído característico para a ferramenta foram determinados em conformidade com a norma EN 12549 - "Acústica - Código de teste de ruído para ferramentas de aplicação de fixadores - Método de engenharia".

Estes valores são valores característicos

relacionados com a ferramenta e não representam o desenvolvimento de ruído no ponto de utilização.

O desenvolvimento de ruído no ponto de utilização depende, por exemplo, do ambiente de trabalho, da peça de trabalho, do apoio da peça de trabalho e do número de operações de aplicação, etc.

Dependendo das condições no local de trabalho e da forma da peça de trabalho, podem ser necessárias medidas de atenuação de ruído individuais, tais como

colocar as peças em suportes de diminuição de ruído, impedir a vibração da peça de trabalho mediante fixação ou cobertura, ajustando a pressão de ar mínima necessária para o trabalho, etc.

## INFORMAÇÃO SOBRE VIBRAÇÃO (ver dados técnicos da ferramenta)

O valor de ruído característico para a ferramenta foi determinado em conformidade com a norma ISO/WD 8662-11 "Medição de vibração em ferramentas elétricas manuais - Parte 11 Ferramentas de aplicação de fixadores".

Este valor é uma característica relacionada com a ferramenta e não representa a influência no sistema mão-brço ao utilizar a ferramenta. Uma influência no sistema mão-brço ao utilizar a ferramenta dependerá, por exemplo, da força aplicada ao agarrar, da força de contacto, da direção de trabalho, da regulação do abastecimento de ar comprimido, da peça de trabalho, do apoio da peça de trabalho, etc.

GB Not to be reproduced without permission. Unauthorized copies of this document do not constitute CE compliance for the products.

FR Reproduction interdite sans permission préalable. Les copies non autorisées de ce document ne signifient en rien que les produits soient conformes aux normes CE.

DE Vervielfältigung nicht ohne Genehmigung gestattet. Unzulässig erstellte Kopien dieses Dokuments erfüllen nicht die CE-Richtlinien für Produkte.

NL Mag niet worden vermenigvuldigd zonder toestemming. Onrechtmatige kopieën van dit document willen niet zeggen dat de producten voldoen aan de CE-vereisten.

DK Må ikke gengives uden tilladelse. Uautoriserede kopier af dette dokument pågik ikke CE-overholdelse for produkterne.

FI Etsä julkentää ilman lupaa. Tämän asiakirjan ilman valtuutusta tehty käännös eivät muodosta tuotteille CE-todistusta.

GR Απαγορεύεται η αναπαραγωγή χωρίς προηγούμενη άδεια. Τα μη εξουσιοδοτημένα αντίγραφα του παρόντος εγγράφου δεν αποτελούν συμμόρφωση CE για τα προϊόντα.

- A) Para sistema de ar
- B) Linhas principais (3 x dimensão de entrada da ferramenta pneumática)
- C) Para ferramenta pneumática
- D) Válvula de correção de emergência
- E) Lubrificador
- F) Regulador
- G) Linha do ramo (2 x dimensão de entrada da ferramenta pneumática)
- H) Dreno
- I) Compressor
- J) Filtro
- K) Acessório de caudal elevado 1/4" NPT
- L) Tubo de ar D.I. 3/8" (10 mm) Min

PT Reprodução proibida sem autorização prévia. As cópias não autorizadas deste documento não estão em

## COLOCAR A FERRAMENTA EM SERVIÇO

Deve posicionar uma unidade de filtro de ar (J) entre o compressor de ar e o lubrificador de ar para promover um abastecimento de ar limpo para a ferramenta.

A água e a sujidade podem danificar as ferramentas pneumáticas (ver o diagrama acima).

## RESOLUÇÃO DE PROBLEMAS E MANUTENÇÃO

As reparações deverão ser realizadas apenas por agentes autorizados BOSTITCH ou por outro pessoal especializado, prestando a devida atenção às instruções de segurança, funcionamento e manutenção deste manual, do manual da ferramenta específica e nos dados técnicos da ferramenta

- Desligue a ferramenta do abastecimento de ar e esvazie completamente o depósito antes de iniciar a manutenção ou as reparações. Tenha em atenção as advertências deste manual, dos dados técnicos

da ferramenta e da ferramenta propriamente dita, e tenha um cuidado especial quando avaliar ferramentas com problemas.

- Só se devem utilizar peças de substituição BOSTITCH genuínas. Não utilize peças modificadas, as quais não proporcionarão um desempenho idêntico ao equipamento original.
- Quando proceder à manutenção da ferramenta, certifique-se de que as peças internas estão limpas e lubrificadas. Aplique Parker "O"-Lube ou equivalente em todos os O-rings. Antes de montar, aplique "O"-Lube em todos os O-rings. Aplique uma pequena quantidade de óleo em todas as superfícies com movimento e articulações. Depois de voltar a montar, junte algumas gotas de lubrificante para ferramentas pneumáticas BOSTITCH Air Tool através da linha de ar antes de testar.
- Para mais instruções relacionadas especificamente com a manutenção da ferramenta, consulte os dados técnicos da ferramenta.

- Se não for possível resolver o problema utilizando o guia abaixo, contacte o seu representante ou distribuidor Bostitch mais próximo.

mission. Unauthorised copies of this document do not constitute CE compliance for the products.

PROBLEMA	CAUSA	CORREÇÃO
rien que les produits soient conformes aux normes CE. <b>Falha ao realizar ciclo</b>	Restrição de abastecimento de ar Ferramenta seca, falta de lubrificação	Verificar equipamento de abastecimento de ar Utilize lubrificante para ferramentas pneumáticas BOSTITCH
DE Vervielfältigung nicht ohne Genehmigung gestattet. Unzulässig erstellte Kopien dieses Dokuments erfüllen nicht die CE-Richtlinien für Produkte. <b>NL</b> Mag niet worden vermenigvuldigd of verspreid. Het kopiëren van dit document willen niet zeggen dat de producten voldoende zijn. <b>DK</b> Må ikke gengives uden tilladelse. Kopier af dette dokument er ikke CE-godkendelse af produkterne.	O-rings da válvula de saída com desgaste (se existentes) Mola da tampa do cilindro partida Válvula de saída (se existente) presa na tampa	Substituir O-rings Substituir mola da tampa do cilindro Desmontar/Verificar/Lubrificar
Et ei saa jätentää ilman lupaa. Tämän asiakirjan ilman valtuutusta tehty kopiointi ei voi muodosta tuotteille CE-merkintää. <b>Falta de potência; ciclo lento</b>	Pressão de ar demasiado baixa	Verificar equipamento de abastecimento de ar
GR Απαγορεύεται η αναπαραγωγή ή η αντιγραφή του παρόντος κειμένου, το οποίο δεν αποτελεί συνιστώσα του προϊόντα. <b>IT</b> Vietata la riproduzione senza permesso. Le copie non autorizzate di questo documento non garantiscono la conformità CE per i relativi prodotti. <b>NU</b> Skal ikke reproduseres uten tillatelse. Ikke godkjente kopier av dette dokumentet oppfyller ikke kravene for CE-merking for produktet.	Ferramenta seca, falta de lubrificação Mola da tampa do cilindro partida O-rings/vedantes cortados ou com fissuras	Utilize lubrificante para ferramentas pneumáticas BOSTITCH Substituir mola da tampa do cilindro Substituir O-rings/vedantes
<b>PT</b> Reprodução proibida sem autorização. Este documento não garante conformidade com a CE para os produtos.	Escape obstruído	Verificar batente, mola da válvula de saída, silenciador
<b>ES</b> Prohibida la reproducción sin permiso. Las copias no autorizadas de este documento no suponen la conformidad con las normas CE de los productos. <b>SE</b> Prohibida la reproducción sin permiso. Las copias no autorizadas de este documento no suponen la conformidad con las normas CE de los productos. <b>PL</b> Zabronione kopiowanie niniejszego dokumentu bez zgody producenta. Nieautoryzowane kopie niniejszego dokumentu nie stanowią deklaracji zgodności CE prezentowanych produktów. <b>CZ</b> Nížejší dokument nie może być kopiowany bez zwołenia. Nieautoryzowane kopie niniejszego dokumentu nie stanowią deklaracji zgodności CE prezentowanych produktów.	Unidade do gatilho com desgaste/fuga Manga do cilindro não assente corretamente no batente inferior Válvula de saída seca	Substituir unidade do gatilho Desmontar para corrigir Desmontar/lubrificar
<b>PT</b> Reprodução proibida sem autorização. Este documento não garante conformidade com a CE para os produtos.	Invólucro da válvula do gatilho com fuga de ar	Substituir O-rings/vedantes
<b>PL</b> Zabronione kopiowanie niniejszego dokumentu bez zgody producenta. Nieautoryzowane kopie niniejszego dokumentu nie stanowią deklaracji zgodności CE prezentowanych produktów. <b>CZ</b> Nížejší dokument nie může být kopiován bez zwołenia. Nieautoryzované kopie niniejszego dokumentu nie stanowią deklaracji zgodności CE prezentowanych produktów.	Haste da válvula do gatilho com fuga de ar Estrutura/bocal com fuga de ar	Substituir O-rings/vedantes Substituir O-ring ou junta de colaça
<b>SK</b> Rozmnožovanie bez povolenia je zakázané. Neautorizované kopie tohto dokumentu nie sú v súlade s CE pre dané výrobky. <b>HU</b> A dokumentum engedély nélkül nem másolható. Az engedély nélküli másolatok nem felelnek meg a termék CE megfelelőségét.	Junta de colaça ou vedante com danos Batente com fissura/desgaste	Substituir junta de colaça ou vedante Substituir batente
<b>RO</b> Reproducerea neautorizată este interzisă. Copiile neautorizate ale acestui document nu reprezintă conformitatea CE pentru produse.	Batente da válvula de saída com fissura/desgaste Parafusos da tampa desapertados	Substituir batente Apertar e verificar novamente

PROBLEMA	CAUSA	CORREÇÃO
GA A saltar fixadores; alimentação intermitente.	Batente com desgaste	Substituir batente
FR Reproduction interdite sans permission. Les copies non autorisées des produits ne garantissent pas la conformité CE.	Restrição de ar/caudal de ar desadequado através da ficha e tomada de desengate rápido	Substituir acessórios de desengate rápido
DE Vervielfältigung nicht ohne Genehmigung zulässig. Kopien dieses Dokuments erfüllen nicht die CE-Richtlinien für Produkte.	O-ring do pistão com desgaste (se existente)	Substituir O-ring, verificar acionador
NL Mag niet worden vernenigvuldigd of gereproduceerd. Het kopiëren van dit document is niet toegestaan.	Ferramenta seca, falta de lubrificação	Utilize lubrificante para ferramentas pneumáticas BOSTITCH
DK Må ikke gengives uden tilladelse af producenten.	Mola do empurrador danificada	Substituir mola
DK Må ikke gengives uden tilladelse af producenten.	Baixa pressão de ar	Verificar sistema de abastecimento de ar para ferramenta
FI Ei saa jäljentää ilman lupaa. Tämä asiakirja ei ole tarkoitettu kopiointiin.	Parafuso do bocal do depósito solto	Apertar todos os parafusos
GR Απαγορεύεται η αναπαραγωγή ή αντιγραφή του παρόντος αντιγράφου του παρόντος χωρίς την άδεια του κατασκευαστή.	Fixadores demasiado curtos para a ferramenta	Utilizar apenas fixadores recomendados
IT Vietata la riproduzione senza permesso. Le copie non autorizzate di questo documento non garantiscono la conformità CE per i relativi prodotti.	Fixadores deformados	Interromper a utilização destes fixadores
IT Vietata la riproduzione senza permesso. Le copie non autorizzate di questo documento non garantiscono la conformità CE per i relativi prodotti.	Fixadores de dimensão errada	Utilizar apenas fixadores recomendados
NO Skal ikke reproduseres uten tillatelse. Dette dokumentet kan ikke kopieres eller bli trykket ut uten tillatelse fra produsent.	Junta de colaça da tampa de saída com fuga	Apertar parafusos/substituir junta de colaça
PT Reprodução proibida sem autorização. Este documento não está em conformidade com a CE para os produtos.	O-ring da válvula do gatilho com corte/desgaste	Substituir O-ring
ES Prohibida la reproducción sin permiso. Las copias no autorizadas de este documento no suponen la conformidad con las normas CE de los productos.	Acionador partido/lascado	Substituir acionador (verificar O-ring do pistão)
SE Prohibida la reproducción sin permiso. Las copias no autorizadas de este documento no suponen la conformidad con las normas CE de los productos.	Depósito seco/sujo	Limpar/lubrificar com lubrificante para ferramentas pneumáticas BOSTITCH
SE Prohibida la reproducción sin permiso. Las copias no autorizadas de este documento no suponen la conformidad con las normas CE de los productos.	Depósito com desgaste	Substituir depósito
PL Niniejszy dokument nie może być kopiowany bez pozwolenia. Nieautoryzowane kopie tego dokumentu nie stanowią deklaracji zgodności CE prezentowanych produktów.	Canal do acionador com desgaste	Substituir bocal/verificar porta
CZ Niniejszy dokument nie może być kopiowany bez pozwolenia. Nieautoryzowane kopie tego dokumentu nie stanowią deklaracji zgodności CE prezentowanych produktów.	Fixadores de dimensão errada	Utilizar apenas fixadores recomendados
CZ Niniejszy dokument nie może być kopiowany bez pozwolenia. Nieautoryzowane kopie tego dokumentu nie stanowią deklaracji zgodności CE prezentowanych produktów.	Fixadores deformados.	Interromper a utilização destes fixadores
SK Rozmnožovanie bez povolenia je zakázané. Neoprávnené kópie tohto dokumentu nie sú v súlade s CE pre dané výrobky.	Parafusos do depósito/bocal soltos	Apertar todos os parafusos
HU A dokumentum engedély nélkül nem másolható. A másolatok nem felelnek meg a CE előírásoknak.	Acionador partido/lascado	Substituir acionador (verificar O-ring do pistão)
RO Reproducerea neautorizată este interzisă. Copiile neautorizate ale acestui document nu reprezintă conformitatea CE pentru produse.		

# MANUAL DE FUNCIONAMIENTO Y SEGURIDAD



ANTES DE PONER EN FUNCIONAMIENTO ESTA HERRAMIENTA, TODOS LOS OPERADORES TENDRÁN QUE EXAMINAR CON LA MÁXIMA ATENCIÓN EL PRESENTE MANUAL ASEGURÁNDOSE DE QUE HAN ENTENDIDO PERFECTAMENTE LAS INSTRUCCIONES Y NORMAS RELATIVAS A LA SEGURIDAD. ESTAS INSTRUCCIONES SE DEBERÁN CONSERVAR JUNTO A LA HERRAMIENTA PARA FUTURAS CONSULTAS. EN CASO DE DUDAS O PREGUNTAS AL RESPECTO, PÓNGASE EN CONTACTO CON SU REPRESENTANTE O DISTRIBUIDOR BOSTITCH.

ANTES DE PONER EN FUNCIONAMIENTO ESTA HERRAMIENTA SE DEBERÁ CONSULTAR LA TABLA CON LOS DATOS RELATIVOS A LA MISMA, COLUMNA L DE LA FICHA TÉCNICA, PARA IDENTIFICAR EL SISTEMA OPERATIVO DE SU HERRAMIENTA.

**Estas herramientas de fijación son herramientas profesionales.**

No deje que los niños tengan contacto alguno con la herramienta. Es necesaria supervisión cuando la herramienta sea utilizada por operarios inexpertos.

- Niños pequeños y personas enfermas. Este dispositivo no es apto para uso por parte de niños pequeños o personas enfermas sin que sean supervisados.
- Este producto no es apto para uso por parte de personas (incluidos niños) que sufran discapacidades físicas, sensoriales o mentales; falta de experiencia, conocimiento o habilidades a menos que estén supervisadas por una persona responsable de su seguridad. No deje nunca a los niños solos con este producto.
- Esta herramienta de fijación solamente deberán utilizarla operarios con capacidad técnica para ello.

- No modifique la herramienta de fijación. Las modificaciones pueden reducir la eficacia de las medidas de seguridad y aumentar los riesgos para el operario y para las personas circundantes.

Las herramientas BOSTITCH son instrumentos de precisión realizados para la fijación de grandes volúmenes a elevada velocidad. Dichas herramientas ofrecerán óptimas prestaciones si se utilizan con la adecuada atención y siguiendo las instrucciones facilitadas. Como en el caso de cualquier otra herramienta, para obtener los mejores resultados es necesario atenerse a las instrucciones del fabricante.

Por lo tanto, les rogamos lean atentamente el presente manual, tratando de entender correctamente las medidas de seguridad y las advertencias, antes de poner en funcionamiento la herramienta. Lean con la máxima atención las instrucciones relativas a la instalación, el funcionamiento y el mantenimiento, y conserven el manual para posibles consultas futuras. Nota: En el caso de aplicaciones especiales, podría ser necesario añadir otras medidas de seguridad complementarias. Póngase en contacto con su representante o distribuidor BOSTITCH en el caso de dudas o aclaraciones en relación con la herramienta y su empleo.

## NOTA:

Las herramientas BOSTITCH se han diseñado para proporcionar una excelente satisfacción al cliente y para conseguir el máximo rendimiento cuando se utilizan con grapas y clavos BOSTITCH fabricados siguiendo exactamente las mismas normas.

**BOSTITCH no puede asumir responsabilidad con respecto al rendimiento del producto si cualquiera de nuestras herramientas es usada con grapas, clavos o accesorios que no cumplan con los requerimientos específicos establecidos para las grapas, clavos o accesorios originales BOSTITCH.**

## GARANTÍA LIMITADA

BOSTITCH confía en la calidad de sus productos y ofrece una garantía para usuarios profesionales de este producto. La presente declaración de garantía se añade a sus derechos contractuales como usuario profesional y no actúa en modo alguno en perjuicio de los mismos ni de sus derechos legales como usuario privado no profesional. Esta garantía tiene validez en los territorios de los Estados miembros de la Unión Europea y en la zona de libre comercio europeo.

En caso de que su producto BOSTITCH resultara defectuoso por causa de materiales defectuosos o defectos de fabricación en el plazo de los 12 meses posteriores a la fecha de compra, BOSTITCH garantiza que reemplazará todas las partes defectuosas a título gratuito o bien -según su propio criterio- reemplazará la unidad a título gratuito, si se cumplen las siguientes condiciones:

- El producto no ha sido indebidamente utilizado
- El producto ha estado expuesto a un uso y desgaste normales; clavadores, amortiguadores, y juntas tóricas normalmente se consideran piezas de desgaste y están excluidas
- No se ha intentado llevar a cabo reparaciones por personas no autorizadas
- Hay prueba de la compra del producto
- El producto



**se ha devuelto completo con todas las piezas originales • El producto es enviado, con portes a su cargo, junto con la prueba de compra, a nuestro centro de reparaciones regional, o a un centro de garantía autorizado.**

Si desea realizar una reclamación, póngase en contacto con el establecimiento que le ha vendido el producto o consulte en el catálogo de BOSTITCH la ubicación del agente de reparación más cercano autorizado por BOSTITCH. Alternativamente, póngase en contacto con la oficina de BOSTITCH que le corresponde en la dirección indicada en este manual.

## REFERENCIAS ESPECIALES

Con estas herramientas se deberán utilizar únicamente los dispositivos de fijación especificados en las instrucciones de funcionamiento (véanse los Datos técnicos de la herramienta). El conjunto herramienta y elementos de fijación especificados es considerado como un sistema único de seguridad en lo referente a cuestiones de seguridad.

Compruebe siempre la herramienta antes de usarla, verificando que no tenga piezas rotas, mal conectadas o desgastadas.

Las reparaciones deberán ser realizadas exclusivamente por personal autorizado por BOSTITCH u otro personal especializado, ateniéndose siempre a las instrucciones en materia de seguridad, funcionamiento y mantenimiento contenidas en el presente manual, el manual específico de la herramienta y en los Datos técnicos de la herramienta.

**Nota:** Por otro personal especializado se entienden todas aquellas personas que después de curso o de experiencia profesional, hayan adquirido la suficiente preparación en el sector de las herramientas de fijación que garantice que puedan proporcionar las necesarias condiciones de seguridad de las mismas.

Los soportes o plantillas utilizadas para montar la herramienta sobre un soporte, por ejemplo, una mesa de trabajo, deberán ser realizados por el fabricante de los mismos de forma que las herramientas de fijación puedan ser aseguradas firmemente y con seguridad para el uso previsto, evitando por ejemplo daños, distorsiones o desplazamientos

## INSTRUCCIONES DE SEGURIDAD



**INSTRUMENTOS DE PROTECCIÓN OCULAR** que proporcionen una adecuada protección **FRONTAL Y LATERAL** contra eventuales partículas volantes, deberán siempre ser

utilizados por el operador así como por las personas que se encuentren en el área de trabajo siempre que se realicen acciones de carga, funcionamiento o mantenimiento de esta herramienta. La protección para los ojos es necesaria con el fin de evitar que posibles elementos de fijación volantes o partículas puedan causar serias lesiones a la vista. El empresario y/o el usuario tienen asegurarse que dichas protecciones oculares se utilicen correctamente.

Deberá utilizarse protección para los ojos en conformidad con 89/686/CEE, y de una calidad igual o mayor que la definida en EN166. No obstante, deberán considerarse todos los aspectos de trabajo de los operarios, entorno y otros tipos de maquinaria que se utilicen cuando se vaya a seleccionar equipo de protección personal.

## ATENCIÓN: PROTECCIÓN DE SEGURIDAD

**ADICIONAL** puede ser necesaria en algunos entornos. Por ejemplo, el área de trabajo podría conllevar la exposición a niveles acústicos que pueden dañar el oído. Tanto el empresario como el usuario deberán asegurarse que el operador y quienes se encuentren en el interior de la zona de trabajo dispongan y utilicen correctamente los instrumentos de protección auditiva necesarios. En algunos entornos será necesario equipo de protección para la cabeza. Cuando sea necesario, el empresario y el usuario deberán comprobar que se utiliza protección para la cabeza.

## RIESGO DE RUIDO

- La exposición sin protección a niveles acústicos altos puede causar pérdida de audición permanente, discapacidad auditiva y otros problemas como tinnitus (campanileo, zumbido, silbido o zumbidos en los oídos).
- Es fundamental una evaluación de riesgo y la aplicación de controles apropiados para este tipo de peligros.

• Los controles apropiados para reducir el riesgo pueden incluir el uso de materiales amortiguadores para evitar que las piezas de trabajo “produzcan sonidos”

- Utilice protección auditiva apropiada.

- Utilice y provea a la herramienta del adecuado mantenimiento, tal como se recomienda en estas instrucciones, con el fin de evitar aumentos innecesarios de los niveles acústicos.
- Si la herramienta tiene un silenciador, compruebe siempre que esté en su lugar y en buenas condiciones de funcionamiento en el momento de utilizarla.

- El conector de la herramienta no debe mantener presión cuando el aire está desconectado. En el caso de que se utilice un accesorio erróneo, la herramienta podría quedarse cargada de aire, incluso después de la desconexión, por lo que podría hacer saltar el dispositivo de fijación después de su desconexión de la línea de aire, con el consiguiente riesgo de lesiones.

## RIESGOS DE VIBRACIÓN

- La información para llevar a cabo una evaluación de riesgo de estos peligros y la aplicación de controles apropiados es esencial.

- La exposición a las vibraciones puede causar daños de discapacidad en los nervios y suministro sanguíneo de las manos y brazos.

- Utilice ropa de abrigo cuando trabaje en condiciones de frío, mantenga sus manos calientes y secas.

- Si experimenta insensibilidad, hormigueo, dolor o blanqueamiento de la piel en sus dedos o manos, solicite asesoramiento médico a un profesional de la salud laboral cualificado en relación con las actividades generales.

- Utilice y proporcione el adecuado mantenimiento a la herramienta, tal como se recomienda en estas instrucciones, con el fin de evitar aumentos innecesarios de los niveles de vibración.

- Sujete la herramienta agarrándola de forma suave pero segura ya que el riesgo de vibración es normalmente más alto cuando la fuerza de agarre es mayor.

## ⚠ INSTRUCCIONES DE SEGURIDAD PARA EL SUMINISTRO DE AIRE Y CONEXIONES



No utilice oxígeno o gases inflamables como fuente de energía para herramientas que funcionan neumáticamente.

No utilizar gases envasados o un suministro de aire donde la presión máxima de la línea potencialmente pueda superar la presión máxima indicada en el manual de la herramienta específica, ya que la herramienta podría explotar, con el consiguiente riesgo de lesiones. En el caso de que la presión máxima del aire suministrado pueda superar estos valores, será necesario instalar una válvula de reducción de la presión en el suministro del aire dotada seguidamente de válvula de seguridad.

- No apretar el gatillo o bajar el seguro palpador durante la conexión con el aire. La herramienta podría ponerse en funcionamiento, con el consiguiente riesgo de lesiones.

- Desconectar siempre el suministro de aire: 1) Antes de proceder a una regulación; 2) Durante las operaciones de mantenimiento; 3) Para solucionar unenacsquillamiento; 4) Cuando la herramienta no se utilice; 5) Mientras se cambia de zona de trabajo, ya que podría darse un accionamiento accidental, con el consiguiente riesgo de lesiones.

## ⚠ INSTRUCCIONES DE SEGURIDAD PARA LA CARGA DE LA HERRAMIENTA

Durante la carga de la herramienta: 1) No meter nunca la mano u otras partes del cuerpo en la zona de descarga de los dispositivos de fijación de la herramienta; 2) No apuntar nunca las herramientas hacia uno mismo u otras personas; 3) No apretar el gatillo o bajar el seguro palpador para evitar el accionamiento accidental con el consiguiente peligro de lesiones.

**Nota: Ver el manual de Datos técnicos de la herramienta para instrucciones específicas de carga y las dimensiones de los clavos o grapas recomendados.**

## ⚠ INSTRUCCIONES DE SEGURIDAD PARA EL FUNCIONAMIENTO DE LA HERRAMIENTA

- Manejar siempre la herramienta con cuidado: 1) No bromear con la herramienta; 2) No apretar nunca el gatillo sin haber dirigido la punta de la herramienta hacia la pieza que se está elaborando; 3) Mantener a las otras personas a una distancia de seguridad de la herramienta durante el funcionamiento de ésta última ya que podría producirse un accionamiento accidental, con el consiguiente riesgo de lesiones.

- El operador no tiene que mantener apretado el gatillo en el caso de herramientas dotadas de un seguro palpador (a menudo denominado gatillo de seguridad), a menos que esté realizando las operaciones de fijación, ya que el contacto accidental con cosas o personas podría hacer actuar a la herramienta, con el consiguiente riesgo de lesiones graves.

- Mantener las manos y el cuerpo lejos de la zona de disparo de la herramienta. La herramienta podría

rebotar por efecto del retroceso y un segundo clavo o grapa podría dispararse accidentalmente con el consiguiente riesgo de lesiones.

- Controlar periódicamente las condiciones del seguro palpador. La herramienta no se deberá utilizar si el brazo no funciona correctamente, ya que podría dispararse accidentalmente un clavo o grapa. No se deberá interferir en el funcionamiento normal del mecanismo del seguro palpador.

- No clavar grapas o clavos sobre otras grapas o clavos ya podrían desviarse con el consiguiente riesgo de lesiones.

- No clavar las grapas o clavos cerca de los bordes de la pieza en elaboración, ya que la madera podría romperse provocando la desviación del dispositivo de fijación, con el consiguiente riesgo de lesiones.

- No se extralimite. Utilizar solamente en un lugar de trabajo seguro. Mantenga una postura firme y buen equilibrio en todo momento.

- Mantenga a los transeúntes apartados (cuando trabaje en una zona en la que existe la posibilidad de que haya personas circulando a su alrededor). Señalice con claridad su zona de operaciones.

- Utilice siempre la segunda empuñadura (si la tuviera).

- Utilice solamente guantes que proporcionen adecuada sensibilidad y agarre para el control seguro de los gatillos y de los dispositivos de ajuste.

- Durante el funcionamiento es posible que salgan residuos de la propia pieza y del sistema de unión de los clavos o grapas.

- Tenga cuidado con las herramientas que no estén en contacto con la pieza que está elaborando ya que podrían activarse involuntariamente y producir lesiones al operario y a los transeúntes.

- Compruebe que la herramienta esté siempre en contacto de forma segura con la pieza en elaboración y que no pueda resbalar.

- Mantenga la posición del cuerpo en equilibrio y estabilizada.

- Deberá utilizar siempre gafas protectoras y es recomendable usar guantes y ropa de protección adecuados.

## **⚠ INSTRUCCIONES DE SEGURIDAD PARA MANTENIMIENTO DE LA HERRAMIENTA**

Trabajando con herramientas neumáticas, se deberán observar las advertencias indicadas en el presente manual, en las instrucciones específicas de cada una de las herramientas así como en la herramienta misma;

además, se deberá prestar la máxima atención durante la evaluación de las herramientas que presenten problemas.

## **⚠ SUMINISTRO DE AIRE Y CONEXIONES**

Al conectar las herramientas al suministro de aire, la zona de disparo del dispositivo de fijación de la herramienta debe apuntar lejos del operario y de otras personas que pueda haber en la zona de trabajo. Coloque la zona de disparo de la herramienta sobre una pieza de material de prueba de suficiente espesor adecuada a las dimensiones de el clavo o grapa que va a disparar. Podrá conectar la herramienta del suministro de aire cuando tenga las extremidades y el cuerpo fuera de la zona de disparo.

Para evitar el accionamiento accidental y, por lo tanto, el riesgo de lesiones, desconectar siempre el suministro de aire:

1. Antes de proceder a una regulación.

2. Durante las operaciones de mantenimiento.

3. Para liberar un encasquillamiento.

4. Cuando la herramienta no se utiliza.

5. Mientras se pasa de una zona de trabajo a otra, para evitar el accionamiento accidental con el consiguiente riesgo de lesiones.

- Las características de los compresores utilizados deberán ser adecuadas a fin de garantizar una presión y un flujo volumétrico suficientes para el uso previsto. Las caídas de presión en el suministro de aire pueden reducir la potencia de disparo de la herramienta. Para programar la correcta presión para la herramienta se deberán consultar los Datos técnicos de la misma.

- Las líneas de aire industrial deberán instalarse en pendiente, con el punto más alto situado cerca del compresor. Sucesivamente se deberá proceder a la instalación de colectores de agua, fácilmente accesibles en los puntos más bajos. Se deben vaciar los colectores al menos una vez al día, o con mayor frecuencia si fuera necesario. La suciedad y el agua en el suministro de aire son la principal causa de desgaste de las herramientas neumáticas. Los puntos de empalme de la herramienta deberán estar equipados con un filtro/regulador/unidad de servicio instalada directamente en el punto de empalme. Un filtro garantizará las mejores prestaciones y reducirá al mínimo el desgaste. El filtro deberá tener una capacidad de flujo adecuada para cada instalación específica. El filtro debe mantenerse limpio a fin de que sea eficaz para proporcionar aire comprimido

limpio a la herramienta. Consulte las instrucciones del fabricante relativas al mantenimiento apropiado de su filtro. Un filtro sucio u obstruido puede causar caída de presión, lo que reduce las prestaciones de la herramienta.

- Los empalmes de la línea de aire industrial hasta la herramienta se deberán realizar empezando por la parte alta de la línea misma.
- Los tubos del aire deberán tener una presión mínima de servicio de 10,6 Bar o 150 % de la presión máxima que puede suministrar el sistema de aire. El tubo de suministro deberá llevar montado un accesorio capaz de realizar una “desconexión rápida” del conector macho de la herramienta.
- Compruebe que la presión suministrada a la herramienta no supere la presión máxima de servicio permitida, denominada “ps máx.” (véanse los Datos técnicos de la herramienta). Programe inicialmente la presión en el valor de presión de servicio más bajo aconsejado (véanse los Datos técnicos de la herramienta).
- Compruebe que la herramienta funcione correctamente, aplicando la punta de la misma hacia una pieza de madera desechable y apretando una o dos veces el gatillo.

## LUBRICACIÓN

- Para obtener los mejores resultados es necesaria una frecuente pero no excesiva lubricación. El aceite que se añade a través del acoplamiento con la línea de aire lubricará las partes internas. Para más información sobre el lubricante más apropiado, véanse los Datos técnicos de la herramienta. No se deberá utilizar aceite detergente ni aditivos, ya que se podría acelerar el desgaste de las garniciones de la herramienta, lo que reduciría su rendimiento y supondría una mayor frecuencia de las operaciones de mantenimiento.
- En el caso de que no se utilizara ningún lubricante en la línea, se deberá añadir aceite una o dos veces al día al acoplamiento del aire situado en la herramienta. Son suficientes unas pocas gotas de aceite (3-5) cada vez. Una cantidad excesiva de aceite solamente se acumularía en el interior de la herramienta y terminaría en el ciclo de escape.
- Funcionamiento con clima frío. – En el caso de funcionamiento en un clima frío, muy aproximado o inferior al punto de congelación, la humedad que contiene la línea de aire se podría congelar e impedir el funcionamiento de la herramienta. Se

aconseja el uso del lubricante para herramientas neumáticas BOSTITCH Winter Formula o un producto anticongelante permanente (glicol etilénico) como lubricante para climas fríos

**Atención** - Para evitar la congelación o la formación de hielo en las válvulas o en los mecanismos de la herramienta, lo que podría causar su fallo, no se deberá conservar ésta en un entorno frío.

**Nota:** Algunos líquidos desecantes para líneas de aire actualmente en comercio son dañinos para las juntas tóricas y las garniciones: no se deberán utilizar estos productos secadores para bajas temperaturas sin haber comprobado antes la compatibilidad de los mismos.

## ⚠ FUNCIONAMIENTO

### INSTRUMENTOS DE PROTECCIÓN PARA LOS OJOS

que proporcionen una adecuada protección **FRONTAL** y **LATERAL** contra las partículas volantes deberán siempre ser usados por el operador, así como cualquier persona que se encuentre en la zona de trabajo durante la carga, el funcionamiento y las operaciones de mantenimiento de la herramienta. La protección para los ojos es necesaria a fin de prevenir que clavos o grapas o residuos volantes puedan causar serias lesiones en la vista. El empresario y/o el usuario tienen que asegurarse que las protecciones oculares se utilicen y de que se usen de forma correcta.

El equipo de protección para los ojos debe proporcionar protección frontal y lateral. **Nota:** Las gafas y las caretas sin protecciones laterales no son de por sí una protección adecuada.

**⚠ ¡ADVERTENCIA!** Si la herramienta se ha caído o si piensa que se ha dañado, realice una comprobación de su funcionamiento tal y como se indica en la sección de comprobación de funcionamiento de la herramienta.

### PARA EVITAR LESIONES ACCIDENTALES:

- No poner nunca las manos u otras partes del cuerpo delante de la zona de disparo de la herramienta mientras esté el aire conectado.
- No apuntar nunca la herramienta hacia otra persona.
- No bromear nunca con la herramienta.
- No apretar nunca el gatillo si la punta no está dirigida hacia la pieza que se está elaborando.
- Manejar siempre la herramienta con el máximo cuidado.
- No apretar el gatillo o bajar el seguro palpador durante la carga de la herramienta.

## TIPOS DE FUNCIONAMIENTO : BOSTITCH ofrece SIETE tipos de funcionamiento:

Tipo de funcionamiento	Manual de referencia de la herramienta	Seguro palpador / Gatillo de seguridad
MODO DE ACTIVACIÓN POR CONTACTO aux normes CE.	1.	✓
MODO DE ACTIVACIÓN SECUENCIAL PARCIAL	2.	✓
MODO DE ACTIVACIÓN SECUENCIAL COMPLETO	2A	✓
FUNCIONAMIENTO MEDIANTE GATILLO	3.	✗
FUNCIONAMIENTO CON ACCIONAMIENTO POR CONTACTO CONTINUO:	4.	✓
FUNCIONAMIENTO MEDIANTE GATILLO CONTINUO O "FUNCIONAMIENTO AUTOMÁTICO"	5.	✗
MODO DE ACCIONAMIENTO SELECCIONABLE	6.	✓

**HERRAMIENTAS SIN SEGURO PALPADOR (A MENUDO DENOMINADO GATILLO DE SEGURIDAD) - dos modos de funcionamiento posibles:**

**FUNCIONAMIENTO MEDIANTE GATILLO (Referencia 3 en la Tabla de datos técnicos, columna L(a))**

El modelo de funcionamiento mediante gatillo se acciona solamente actuando sobre el gatillo. Este modelo no dispone de seguro palpador y se aconseja solo en aquellos casos en los que NO SE PUEDE utilizar un seguro palpador para satisfacer las exigencias de la aplicación. La herramienta de accionamiento con gatillo empezará a funcionar cada vez que se apriete el gatillo.

**ACCIONAMIENTO CONTINUO CON GATILLO O "FUNCIONAMIENTO AUTOMÁTICO" (Referencia 5 de la Tabla de datos técnicos, columna L(a)).**

El modelo de accionamiento continuo con gatillo permite repetir los ciclos de funcionamiento mientras el gatillo permanece apretado. Este modelo no dispone de seguro palpador y se aconseja en aquellos casos en los que no se puede utilizar un seguro palpador para satisfacer las exigencias de la aplicación.

**HERRAMIENTAS CON SEGURO PALPADOR (A MENUDO, DENOMINADO GATILLO DE SEGURIDAD) - cinco modos de funcionamiento posibles:**

Todas las herramientas dotadas de seguro palpador llevan un triángulo equilátero invertido (t). No se deberá utilizar una herramienta que lleve esta marca en el caso de que faltara el seguro palpador o estuviera dañado.

La mayoría de herramientas están equipadas con un seguro palpador que normalmente se encuentra en la posición "extendida" o "hacia abajo" (Referencia 1 en la Tabla de datos técnicos, columna L(b)). Algunas herramientas están equipadas con un seguro palpador que normalmente se encuentra en la posición "pulsada" o "hacia arriba" (Referencia 2 en la Tabla de datos técnicos, columna L(b)). Consulte el manual de Datos técnicos de la herramienta específicos de su herramienta para más instrucciones sobre cómo usar esta función.



**MODO DE ACTIVACIÓN POR CONTACTO (GATILLO NEGRO) (Referencia 1 de la Tabla de datos técnicos, columna L(a))**

El procedimiento de actuación normal en "modo por contacto" o "modo de choque" consisten en activar, por parte del operador, el seguro palpador manteniendo el gatillo apretado, disparando un clavo

o grapa cada vez que se establece un contacto con la pieza en elaboración. Esto permite una rápida colocación del clavo o grapa en muchos tipos de aplicaciones, como en embalajes y en fabricación de palés. Todas las herramientas neumáticas están sujetas al fenómeno del retroceso después del disparo de clavos o grapas. La herramienta puede rebotar soltando el seguro palpador y, en el caso de que termine entrando en contacto accidentalmente con la superficie de la pieza con el gatillo todavía apretado (el dedo todavía tiene apretado el gatillo), podría dispararse un segundo clavo o grapa no deseado.



⚠ **ADVERTENCIA!** Las herramientas marcadas con este símbolo tienen activación por contacto, activación por contacto continuo o accionamiento seleccionable.

Estas herramientas están diseñadas para uso en aplicaciones de producción tales como palés, muebles, viviendas prefabricadas o tapicería. **NO** utilice esta herramienta en activación por contacto para aplicaciones como cerrar cajas o embalajes ni para colocar sistemas de seguridad para transporte en tráileres y camiones. Esta herramienta solamente debe utilizarse en lugares de trabajo seguros. Hay que tener cuidado para evitar que se accione accidentalmente al cambiar de un lugar de trabajo a otro.



## ACCIONAMIENTO SECUENCIAL - 2 TIPOS (GATILLO GRIS)

**TIPO 1: MODO DE ACTIVACIÓN SECUENCIAL PARCIAL** (Referencia 2 de la Tabla de datos técnicos, columna L(a))

En modo de activación en secuencia parcial el operador tiene que sujetar la herramienta contra la pieza que está elaborando con el seguro palpador bajado antes de apretar el gatillo. Para disparar clavos o grapas adicionales, se deberá soltar el gatillo y apretarlo de nuevo para que la herramienta funcione. La herramienta seguirá funcionando cada vez que se apriete el gatillo mientras que la herramienta esté sujeta contra la pieza en elaboración.

**TIPO 2: MODO DE ACTIVACIÓN SECUENCIAL COMPLETO** (Referencia 2A de la Tabla de datos técnicos, columna L(a))

El modo de activación secuencial completo funciona de forma parecida al modo de activación secuencial

parcial con la excepción de que, para disparar los clavos o grapas adicionales, se deberá soltar el gatillo y levantar la herramienta de la pieza y volver a presionarla contra la pieza otra vez antes de repetir.

Ambos tipos de modo de activación secuencial hacen más fácil colocar en forma precisa los clavos o grapas, por ejemplo, para aplicaciones en estructuras de construcción, clavos oblicuos y cajas. El modo de activación secuencial permite colocar con precisión el clavo o grapa sin correr el riesgo de disparar un segundo clavo o grapa por efecto del retroceso, como descrito en el modo de activación por contacto (más abajo). La herramienta con modo secuencial ofrece una ventaja en términos de seguridad, ya que impide clavar un clavo o grapa accidentalmente en el caso de que la herramienta se ponga en contacto con la pieza en elaboración -o cualquier otro objeto- mientras el operador mantiene apretado el gatillo.

---

**FUNCIONAMIENTO CON ACTIVACIÓN POR CONTACTO CONTINUO:** (Referencia 4 en la Tabla de datos técnicos, columna L(a))

Las herramientas que funcionan por Contacto Continuo ofrecen la posibilidad de repetir los disparos mientras el gatillo y el seguro palpador permanecen apretados.

Antes de manejar o poner en funcionamiento esta herramienta se deberá:

Leer y entender las advertencias contenidas en el presente manual. Consultar los Datos técnicos de la herramienta para identificar el sistema operativo relativo a su herramienta.



⚠ **ADVERTENCIA!** Las herramientas marcadas con este símbolo tienen activación por contacto, activación por contacto continuo o accionamiento seleccionable.

Estas herramientas están diseñadas para uso en aplicaciones de producción tales como palés, muebles, viviendas prefabricadas o tapicería. **NO** utilice esta herramienta en activación por contacto para aplicaciones como cerrar cajas o embalajes ni para colocar sistemas de seguridad para transporte en tráileres y camiones. Esta herramienta solamente debe utilizarse en lugares de trabajo seguros. Hay que tener cuidado para evitar que se accione accidentalmente al cambiarse de un lugar de trabajo a otro.



## MODO DE ACCIONAMIENTO SELECCIONABLE (Referencia 6 en la Tabla de datos técnicos, columna L(a))

Algunas herramientas están equipadas con un disparador seleccionable que permite al usuario cambiar entre el modo de activación secuencial y modo de activación por contacto.

El tipo de disparo seleccionado se indica por la posición del conmutador de modo de disparo. Cuando apunta hacia abajo al icono con clavos múltiples estampado en la estructura de la herramienta, está seleccionado el modo de activación por contacto. Cuando apunta hacia arriba al icono con un solo clavo estampado en la estructura de la herramienta, está seleccionado el modo de activación secuencial. Lea y comprenda las secciones anteriores tituladas Modo de activación por contacto y Modo de activación secuencial antes de seleccionar el modo de accionamiento.

Consulte el manual de Datos técnicos específico de su herramienta para más instrucciones sobre cómo usar esta característica.



**⚠ ¡ADVERTENCIA!** Las herramientas marcadas con este símbolo tienen activación por contacto, activación por contacto continuo o accionamiento seleccionable.

Estas herramientas están diseñadas para uso en aplicaciones de producción tales como palés, muebles, viviendas prefabricadas o tapicería. **NO** utilice

esta herramienta en activación por contacto para aplicaciones como cerrar cajas o embalajes ni para colocar sistemas de seguridad para transporte en tráileres y camiones. Esta herramienta solamente debe utilizarse en lugares de trabajo seguros. Hay que tener cuidado para evitar que se accione accidentalmente al cambiarse de un lugar de trabajo a otro.

## COMPROBACIÓN DEL FUNCIONAMIENTO DE LA HERRAMIENTA

**ATENCIÓN:** Extraer todos los clavos o grapas de la herramienta antes de llevar a cabo las operaciones de comprobación de la herramienta.

**⚠ ¡ADVERTENCIA!** **¡ADVERTENCIA!** Si se ha caído la herramienta o si piensa que se ha dañado, realice una

comprobación de funcionamiento como se indica en la sección de comprobación de funcionamiento de la herramienta.

### HERRAMIENTA DE ACCIONAMIENTO CON GATILLO:

- Quitando el dedo del gatillo, sujetar firmemente la empuñadura de la herramienta.
- Dirigir la punta de la herramienta contra la superficie de la pieza que se está elaborando.
- Apretar el gatillo para disparar un dispositivo de fijación. Soltar el gatillo: el ciclo queda así completado.

**ATENCIÓN:** ¡La herramienta se pondrá en funcionamiento cada vez que se apriete el gatillo!

### HERRAMIENTA CON FUNCIONAMIENTO MEDIANTE GATILLO CONTINUO O "FUNCIONAMIENTO AUTOMÁTICO"

- Quitando el dedo del gatillo, sujetar firmemente la empuñadura de la herramienta.
- Dirigir la punta de la herramienta contra la superficie de la pieza que se está elaborando.
- Apretar el gatillo y mover la herramienta de un lado a otro o hacia adelante y atrás. La herramienta continuará disparando hasta que se suelte el gatillo.

**ATENCIÓN:** Compruebe que la herramienta se mantenga firme contra la superficie de la pieza que está elaborando y que no se acerque a los bordes de la superficie de la misma mientras está trabajando. Podría salir despedida por los aires un clavo o grapa y producir lesiones.

### FUNCIONAMIENTO CON ACTIVACIÓN POR CONTACTO

- Manteniendo el dedo lejos del gatillo, presionar el seguro palpador contra la superficie de la pieza.  
**LA HERRAMIENTA NO TIENE QUE FUNCIONAR.**
- Alejar la herramienta de la superficie de la pieza y apretar el gatillo, sin dirigir la herramienta hacia uno mismo u otras personas.  
**LA HERRAMIENTA NO TIENE QUE FUNCIONAR.**
- Manteniendo la herramienta lejos de la pieza, apretar el gatillo. Apretar el seguro palpador contra la superficie de la pieza  
**LA HERRAMIENTA TIENE QUE FUNCIONAR.**

D) Sin tocar el gatillo, presionar el seguro palpador contra la superficie de la pieza, seguidamente

apretar el gatillo.

**LA HERRAMIENTA TIENE QUE FUNCIONAR.**

### **FUNCIONAMIENTO CON ACCIONAMIENTO SECUENCIAL PARCIAL**

A) Sin tocar el gatillo, presionar el seguro palpador contra la superficie de la pieza.

**LA HERRAMIENTA NO TIENE QUE FUNCIONAR.**

B) Alejar la herramienta de la superficie de la pieza y apretar el gatillo, sin dirigir la herramienta hacia uno mismo u otras personas.

**LA HERRAMIENTA NO TIENE QUE FUNCIONAR.**

C) Manteniendo la herramienta lejos de la pieza, apretar el gatillo. Apretar el seguro palpador contra la superficie de la pieza

**LA HERRAMIENTA NO TIENE QUE FUNCIONAR.**

D) Sin tocar el gatillo, apretar el seguro palpador contra la superficie de la pieza y, a continuación, apretar el gatillo.

**LA HERRAMIENTA TIENE QUE FUNCIONAR.**

E) Con el seguro palpador aún apretado contra la superficie de la pieza, volver a apretar el gatillo.

**LA HERRAMIENTA TIENE QUE FUNCIONAR.**

### **FUNCIONAMIENTO CON ACCIONAMIENTO SECUENCIAL COMPLETO**

A) Sin tocar el gatillo, presionar el seguro palpador contra la superficie de la pieza.

**LA HERRAMIENTA NO TIENE QUE FUNCIONAR.**

B) Alejar la herramienta de la superficie de la pieza y apretar el gatillo, sin dirigir la herramienta hacia uno mismo u otras personas.

**LA HERRAMIENTA NO TIENE QUE FUNCIONAR.**

C) Manteniendo la herramienta lejos de la pieza, apretar el gatillo. Apretar el seguro palpador contra la superficie de la pieza

**LA HERRAMIENTA NO TIENE QUE FUNCIONAR.**

D) Sin tocar el gatillo, presionar el gatillo de seguridad contra la superficie de la pieza y, a continuación, apretar el gatillo.

**LA HERRAMIENTA TIENE QUE FUNCIONAR.**

E) Con el gatillo de seguridad aún presionado contra la superficie de la pieza, volver a apretar el gatillo.

**LA HERRAMIENTA NO TIENE QUE FUNCIONAR.**

### **FUNCIONAMIENTO CON ACTIVACIÓN POR CONTACTO CONTINUO:**

A) Manteniendo el dedo lejos del gatillo, presionar el seguro palpador contra la superficie de la pieza.

**LA HERRAMIENTA NO TIENE QUE FUNCIONAR.**

B) Alejar la herramienta de la superficie de la pieza y apretar el gatillo, sin dirigir la herramienta hacia uno mismo u otras personas.

**LA HERRAMIENTA NO TIENE QUE FUNCIONAR.**

C) Manteniendo la herramienta lejos de la pieza, apretar el gatillo. Presionar el seguro palpador contra la superficie de la pieza y mover la herramienta de un lado a otro o hacia adelante y atrás.

**LA HERRAMIENTA TIENE QUE FUNCIONAR Y TIENE QUE SEGUIR FUNCIONANDO HASTA QUE SE SUELTE EL GATILLO O SE ALEJE LA HERRAMIENTA DE LA SUPERFICIE DE LA PIEZA.**

D) Sin tocar el gatillo, presionar el seguro palpador contra la superficie de la pieza, seguidamente apretar el gatillo.

**LA HERRAMIENTA TIENE QUE FUNCIONAR Y TIENE QUE SEGUIR FUNCIONANDO HASTA QUE SE SUELTE EL GATILLO O SE ALEJE LA HERRAMIENTA DE LA SUPERFICIE DE LA PIEZA.**

### **USO DE LA HERRAMIENTA**

Después de haber realizado la comprobación del funcionamiento de la herramienta, presionar la punta de la herramienta contra la pieza en elaboración y apretar el gatillo. Comprobar que el clavo o grapa se haya colocado correctamente.

- Si el clavo o grapa no se ha clavado con suficiente profundidad, se deberá aumentar la presión del aire 0,5 Bar (5-6 PSI) cada vez, comprobando el resultado después de cada regulación. No se deberá superar la presión máxima de servicio admitida (véanse los Datos técnicos de la herramienta)

- Si el clavo o grapas se ha clavado con excesiva profundidad, se deberá reducir la presión del aire 0,5 Bar (5-6 PSI) cada vez, comprobando el resultado después de cada regulación. No se deberá utilizar una presión inferior a la presión mínima de servicio (véanse los Datos técnicos de la herramienta).

Intente trabajar siempre con la presión de aire más baja posible. Esto reducirá el ruido y las vibraciones producidas y aumentará la vida de los componentes internos tales como el amortiguador.



## PARA UN FUNCIONAMIENTO SEGURO, ADEMÁS DE LAS ADVERTENCIAS CONTENIDAS EN EL PRESENTE MANUAL, DEBERÁ TENERSE EN CUENTA LO SIGUIENTE:

• Respetar la herramienta neumática BOSTITCH como lo que es, o sea, una herramienta. No es un juguete. Evitar las bromas.

• Utilizar la herramienta neumática BOSTITCH exclusivamente para los propósitos para los que ha sido diseñada.

• No utilizar la herramienta de forma tal que los clavos o grapas puedan estar dirigidos hacia el operador u otras personas presentes en la zona de trabajo.

• No utilizar la herramienta como martillo.

• Sujetar siempre la herramienta por la empuñadura. No transportarla nunca agarrada por el tubo del aire. No transportar nunca la herramienta con el gatillo apretado.

• No realizar modificaciones o alterar la herramienta respecto al diseño o a la función original, sin la previa autorización por escrito de BOSTITCH.

• Hay que tener siempre presente que un uso impropio o indebido de la herramienta puede causar lesiones a uno mismo, así como a otras personas.

• No fijar o atar con cinta adhesiva el gatillo o el seguro pulsador en posición de funcionamiento.

• No dejar nunca la herramienta sin vigilancia mientras el tubo del aire esté conectado.

• No poner nunca en funcionamiento la herramienta en el caso de que la etiqueta con las advertencias no sea claramente legible.

• No seguir utilizando una herramienta que pierda aire o que no funcione correctamente. Informar al representante BOSTITCH más cercano, en el caso de que la herramienta presente repetidos problemas de funcionamiento.

• Durante el funcionamiento, sujetar la herramienta de forma que no pueda producirse riesgo de lesiones en la cabeza o en el cuerpo, en el caso de retroceso excesivo de la herramienta, debido a una disminución de la presión de suministro de aire o a zonas de la pieza en elaboración particularmente duras.

• No trabajar cerca de las esquinas o en los bordes de las piezas en elaboración. Un clavo o grapa podría resbalar de la pieza de trabajo, con el consiguiente riesgo de lesiones.

• Antes de trasladar la herramienta, desconectar siempre el suministro de aire.

• Comprobar que el seguro pulsador (si lo lleva) y el gatillo funcionen correctamente.

• No desmontar o bloquear ninguna de las partes de la herramienta, sobre todo el seguro pulsador.

• Evitar el debilitamiento de la herramienta debido a grabados o incisiones.



• No utilizar tubos de aire ni accesorios deshilachados o deteriorados



• No transportar la herramienta agarrada por el tubo.

• Tenga cuidado cuando utilice herramientas neumáticas ya que éstas podrían enfriarse afectando al agarre y control.

### Riesgos de movimientos repetitivos

• Cuando se utilice una herramienta durante periodos largos, es posible que el operario sufra molestias en las manos, brazos, hombros, cuello u otras partes del cuerpo.

Procede lo siguiente:

• Al utilizar una herramienta el operario deberá adoptar una postura apropiada y ergonómica. Mantenga una base segura y evite posturas incómodas o desequilibradas.

• No ignorar las señales de advertencia si el operario tiene síntomas de molestias continuas o recurrentes, sufrimiento, palpitaciones, dolor, hormigueo, entumecimiento, sensación de ardor, o rigidez. El operario deberá consultar a un profesional de la salud cualificado en relación con las actividades generales.

### Riesgos laborales

• Las principales causas de lesiones laborales se deben a resbalones, tropezones y caídas. Hay que tener cuidado con las superficies resbaladizas causadas por el uso de la herramienta y también con los riesgos de tropezar con el tubo de aire.

• Proceder con mucho cuidado en entornos desconocidos. Puede que haya peligros ocultos como electricidad u otros cables de servicios públicos.

- La herramienta no debe utilizarse en atmósferas potencialmente explosivas, y no está aislada para entrar en contacto con energía eléctrica.
- Compruebe que no haya cables eléctricos, tuberías de gas, etc. que puedan suponer un peligro si se dañasen por el uso de la herramienta.

### Riesgos residuales

Los siguientes riesgos son propios de uso de estas máquinas:

- Lesiones causadas por un manejo indebido de la herramienta.
- Pérdida de control debida a no haber sujetado la herramienta con suficiente firmeza.
- Distensión muscular de brazos y manos, especialmente cuando se trabaja por encima de la altura de la cabeza. Tómesese siempre descansos regulares cuando trabaje durante largos periodos de tiempo.

A pesar de la aplicación de normas de seguridad pertinentes y de dispositivos de seguridad, hay determinados riesgos que no pueden evitarse. Son los siguientes

- Deficiencia auditiva.
- Riesgo de lesión personal debido a partículas volantes
- Riesgo de quemaduras debido a accesorios que se calientan durante el funcionamiento.
- Riesgo de lesión personal debido al uso prolongado.
- Pérdida de control causada por el retroceso.
- Riesgo de lesión causado por puntos punzantes, bordes afilados y manejo indebido de la pieza en que se trabaja.
- Riesgo de lesión causado por bordes afilados cuando se cargan los clavos o se introducen tiras de clavos.

### EMISIONES ACÚSTICAS (Véanse los Datos técnicos de la herramienta)

Los valores acústicos característicos de la herramienta se han determinado en conformidad con la norma EN 12549 - "Acústica - Código de test acústico para herramientas de fijación— Método técnico".

Estos valores son característicos y relativos a la herramienta y no representan el desarrollo acústico en un determinado punto de empleo. El desarrollo acústico

en un determinado punto de empleo dependerá, por ejemplo, de las condiciones de trabajo, de la pieza que se está elaborando, del soporte de la pieza, del número de operaciones de clavado realizadas, etc.

Dependiendo de las condiciones en el lugar de trabajo y de la forma de la pieza en elaboración, podrán ser necesarias medidas individuales para la reducción del nivel de ruidos, como puede ser la posición de las piezas en elaboración sobre soportes anticústicos, evitar las vibraciones de la pieza en elaboración mediante el bloqueo o cobertura, regular a la presión mínima el aire necesario para un determinado trabajo; etc.

### INFORMACIÓN SOBRE LAS VIBRACIONES (Véanse los Datos técnicos de la herramienta)

Los valores relativos a las vibraciones características de la herramienta se han determinado en conformidad con la norma ISO/WD 8662-11 "Medición de las vibraciones en las herramientas con motor con empuñadura manual— Parte 11 Herramientas para dispositivos de fijación".

Este valor es una característica de la herramienta y no representa la influencia en el sistema brazo-mano durante el empleo de la herramienta. La influencia en el sistema brazo-mano durante el empleo de la herramienta dependerá, por ejemplo, de la fuerza de agarre, de la fuerza de contacto, de la dirección del trabajo, de la regulación del suministro de aire comprimido, de la pieza en elaboración, del soporte de la pieza, etc.

GB Not to be reproduced without permission. Unauthorized copies of this document do not constitute CE compliance for the products.

FR Reproduction interdite sans permission préalable. Les copies non autorisées de ce document ne signifient en rien que les produits soient conformes aux normes CE.

DE Vervielfältigung nicht ohne Genehmigung gestattet. Unzulässige Kopien dieses Dokuments erfüllen nicht die CE-Richtlinien für Produkte.

NL Mag niet worden vernenigvuldigd zonder toestemming. Unrechtmatige kopieën van dit document willen niet zeggen dat de producten voldoen aan de CE-vereisten.

DK Må ikke gengives uden tilladelse. Uautoriserede kopier af dette dokument udgør ikke CE-overholdelse for produkterne.

FI Ei saa julkentää ilman lupaa. Tämän asiakirjan ilman valtuutusta tehty kääntäminen ei vastaa muotoilijalle CE-vaatimuksia.

GR Απαγορεύεται η αναπαραγωγή χωρίς προηγούμενη άδεια. Τα μη εξουσιοδοτημένα αντίγραφα του παρόντος εγγράφου δεν αποτελούν συμμόρφωση CE για τα προϊόντα.

- A) Al sistema de aire
- B) Líneas principales (3 x tamaño de entrada de la herramienta de aire)
- C) A la herramienta de aire
- D) Válvula de compuerta de emergencia
- E) Lubricante
- F) Regulador
- G) Línea secundaria (2 x tamaño de entrada de la herramienta de aire)
- H) Drenaje
- I) Compresor
- J) Filtro
- K) Accesorio de alto flujo de 1/4" NPT
- L) Tubo de aire de 3/8" (10mm) I.D. Min

PT Reprodução proibida sem autorização prévia. As cópias não autorizadas deste documento não estão em conformidade com os produtos.

## PUESTA EN SERVICIO DE LA HERRAMIENTA

Deberá colocarse una unidad (J) de filtro de aire entre el compresor de aire y el lubricador del mismo para favorecer el suministro de aire limpio a la herramienta. El agua y la suciedad pueden dañar las herramientas neumáticas (véase el diagrama de arriba).

## SOLUCIÓN DE PROBLEMAS Y MANTENIMIENTO

Las reparaciones deberán ser realizadas exclusivamente por personal autorizado por BOSTITCH u otro personal especializado, ateniéndose siempre a las instrucciones en materia de seguridad, funcionamiento y mantenimiento contenidas en el presente manual, así como en los Datos técnicos de la herramienta.

• Desconectar la herramienta del aire y vaciar completamente el cargador antes de empezar las operaciones de mantenimiento o reparación. Se

deberá tomar nota de las advertencias contenidas en el presente manual, en los Datos técnicos de la herramienta, así como en la herramienta misma, y tener un cuidado especial cuando se examinan herramientas con problemas.

- Solamente deberán utilizarse piezas de repuesto BOSTITCH auténticas. No utilizar piezas modificadas o piezas que no garantizarán las mismas prestaciones que las originales.
- Durante la reparación de una herramienta, comprobar que las partes internas estén limpias y lubricadas. Utilizar Parker "O"-Lube u otro producto equivalente en todas las "juntas tóricas". Cubrir cada una de las "juntas tóricas" con "O"-Lube antes de proceder al montaje. Emplear una pequeña cantidad de aceite en todas las superficies móviles, así como en los pivotes. Después del reensamblaje, añadir algunas gotas de BOSTITCH Air Tool Lubricant a través de la línea del aire antes de empezar las pruebas de funcionamiento.
- Para mayor información sobre operaciones específicas de mantenimiento de su herramienta, consulte los Datos técnicos de la herramienta.

• Si el problema no se pudiera solucionar utilizando la guía que se indica más abajo, póngase en contacto con el representante o distribuidor BOSTITCH más cercano.

FR Reproduction interdite sans permission préalable. Les copies non autorisées de ce document ne signifient en

PROBLEMA	CAUSA	CORRECCIÓN
Fallo de disparo	Limitación de la alimentación del aire	Comprobar la alimentación del aire
	Herramienta seca, falta de lubricación	Utilizar lubricante para herramientas neumáticas BOSTITCH
	Juntas tóricas de la válvula de envío desgastadas (si las lleva)	Sustituir las juntas tóricas
	Muelle de la tapa del cilindro roto	Sustituir el muelle
	Válvula de envío (si la lleva) bloqueada en la tapa	Desmontar/comprobar/lubricar
Falta de alimentación; funcionamiento lento	Presión del aire demasiado baja	Comprobar el equipo de alimentación de aire
	Herramienta seca, falta de lubricación	Utilizar lubricante para herramientas neumáticas BOSTITCH
	Muelle de la tapa del cilindro roto	Sustituir el muelle de la tapa del cilindro
	Juntas tóricas/guarniciones cortadas o agrietadas	Sustituir las juntas tóricas/guarniciones
	Descarga bloqueada	Comprobar tope, muelle de la válvula de envío, silenciador
	Grupo del gatillo desgastado/pierde	Sustituir el grupo del gatillo
	Manguito del cilindro colocado incorrectamente en el tope inferior	Desmontar para corregir
	Válvula de envío seca	Desmontar/lubricar
Pérdida de aire del alojamiento de la válvula del gatillo	Junta tórica cortada o agrietada	Sustituir la junta tórica
Pérdida de aire del vástago de la válvula del gatillo	Juntas tóricas/guarniciones cortadas o agrietadas	Sustituir las juntas tóricas/guarniciones
Cuerpo/nariz pierde aire	Junta tórica o guarnición cortada o agrietada	Sustituir la junta tórica o la guarnición
	Tope agrietado/desgastado	Sustituir el tope
Cuerpo/tapa pierde aire	Guarniciones o juntas dañadas	Sustituir las guarniciones o las juntas
	Amortiguador de válvula de envío agrietado/desgastado.	Sustituir el amortiguador

RO Reproducerea neautorizată este interzisă. Copiile neautorizate ale acestui document nu reprezintă conformitatea CE pentru produse.

PROBLEMA	CAUSA	CORRECCIÓN
GB Not to be reproduced without permission for the products. <b>Clavos o grapas que fallan; alimentación intermitente</b>	<b>Tornillos de la tapa aflojados</b>	<b>Apretar y volver a comprobar</b>
FR Ne pas reproduire sans permission préalable. Les copies non autorisées de ce document ne signifient en rien que les produits soient conformes à la norme CE.	<b>Amortiguador desgastado</b>	<b>Sustituir el amortiguador</b>
DE Vervielfältigung nicht ohne Genehmigung des Herstellers zulässig. Kopien dieses Dokuments erfüllen nicht die CE-Richtlinien für Produkte.	<b>Reducción del aire/flujo del aire inadecuado a través de la toma de acoplamiento rápido</b>	<b>Sustituir las tomas para el acoplamiento rápido</b>
NL Mag niet worden vernoemd, zonder toestemming. Onrechtmatig kopiëren van dit document willen niet zeggen dat de producten voldoen aan de CE-voorschriften.	<b>Junta tórica del pistón desgastada (si la lleva)</b>	<b>Sustituir la junta tórica, comprobar el clavador</b>
DK Må ikke gengives uden tilladelse af producenten. Kopier af dette dokument udgør ikke CE overholdelse for produkterne.	<b>Herramienta seca, falta de lubricación</b>	<b>Utilizar lubricante para herramientas neumáticas BOSTITCH</b>
FI Ei saa jäljentää ilman lupaa. Tämä ei tarkoita, että tuotteista tehdyt kopiot eivät olisi CE-merkittyjä.	<b>Muelle del dispositivo de empuje dañado</b>	<b>Sustituir el muelle</b>
GR Απαγορεύεται η αναπαραγωγή του παρόντος αντιγράφου χωρίς την απαραίτητη άδεια. Τα μη εξουσιοδοτημένα αντίγραφα του παρόντος αντιγράφου δεν αποτελούν τιμήματα προϊόντων.	<b>Baja presión del aire</b>	<b>Comprobar el sistema de suministro del aire a la herramienta</b>
IT Vietata la riproduzione senza permesso. Le copie non autorizzate di questo documento non garantiscono la conformità CE per i relativi prodotti.	<b>Tornillos de la punta del cargador aflojados</b>	<b>Apretar todos los tornillos</b>
NO Skal ikke reproduseres uten tillatelse. Ikke godkjente kopier av dette dokumentet oppfyller ikke kravene for CE-merking for produktet.	<b>Clavos o grapas demasiado cortos para la herramienta</b>	<b>Utilizar solo clavos o grapas aconsejados</b>
PT Reprodução proibida sem autorização. As cópias não autorizadas deste documento não estão em conformidade com a CE para os produtos.	<b>Clavos o grapas doblados</b>	<b>No utilizar más estos clavos o grapas</b>
ES Prohibida la reproducción sin permiso. Las copias no autorizadas de este documento no suponen la conformidad con las normas CE de los productos.	<b>Clavos o grapas de dimensiones inadecuadas</b>	<b>Utilizar solo clavos o grapas aconsejados</b>
SE Prohibida la reproducción sin permiso. Las copias no autorizadas de este documento no cumplen la conformidad con las normas CE de los productos.	<b>Pérdida de la guarnición de la tapa de la cabeza</b>	<b>Apretar los tornillos/sustituir la guarnición</b>
PL Niniejszy dokument nie może być kopiowany bez pozwolenia. Nieautoryzowane kopie niniejszego dokumentu nie stanowią deklaracji zgodności CE prezentowanych produktów.	<b>Junta tórica de la válvula del gatillo cortada/desgastada</b>	<b>Sustituir la junta tórica</b>
CE Prohibida la reproducción sin permiso. Las copias no autorizadas de este documento no cumplen la conformidad con las normas CE de los productos.	<b>Clavador roto/rajado</b>	<b>Sustituir el clavador (comprobar la junta tórica del pistón)</b>
SK Rozmnožovanie bez povolenia je zakázané. Neoprávnené kópie tohto dokumentu nie sú v súlade s CE pre dané výrobky.	<b>Cargador seco/sucio</b>	<b>Limpia/lubricar usando el lubricante para herramientas neumáticas BOSTITCH</b>
HU A dokumentum engedély nélkül nem szabad másolni. Az engedély nélküli másolatok nem jelenti a termék CE megfelelőségét.	<b>Cargador desgastado</b>	<b>Limpia/lubricar usando el lubricante para herramientas neumáticas BOSTITCH</b>
RO Reproducerea neautorizată este interzisă. Copiile neautorizate ale acestui document nu asigură conformitatea CE pentru produse.	<b>Clavos o grapas de dimensiones inadecuadas</b>	<b>Limpiar/lubricar usando el lubricante para herramientas neumáticas BOSTITCH</b>
	<b>Clavos o grapas doblados</b>	<b>No utilizar más estos clavos o grapas</b>
	<b>Tornillos del cargador/punta aflojados</b>	<b>Apretar todos los tornillos</b>
	<b>Clavador roto/rajado</b>	<b>Sustituir el clavador (comprobar la junta tórica del pistón)</b>

# MANUAL FÖR SÄKERHET OCH ANVÄNDNINGSPROCEDUR



INNAN VERKTYGET ANVÄNDS MÅSTE ALLA ANVÄNDARE LÄSA MANUALEN OCH VERKTYGETS TEKNISKA DATA FÖR ATT KUNNA FÖRSTÅ OCH FÖLJA

SÄKERHETSVARNINGARNA OCH -INSTRUKTIONERNA. FÖRVARA DESSA INSTRUKTIONER TILLSAMMANS MED VERKTYGET FÖR FRAMTIDA BEHOV. OM DU HAR NÅGRA FRÅGOR KAN DU KONTAKTA DIN BOSTITCH-REPRESENTANT ELLER -ÅTERFÖRSÄLJARE.

INNAN DU BÖRJAR ANVÄNDA VERKTYGET SKA DU TITTA I TABELLEN MED VERKTYGSDATA, KOLUMN L, I VERKTYGETS MANUAL FÖR TEKNISKA DATA SÅ DU KAN IDENTIFIERA VERKTYGETS DRIFTSYSTEM.

**Dessa fästverktyg är professionella elverktyg.**

LÅT ALDRIG barn komma i kontakt med verktyget. Handledning krävs när oerfarna personer använder verktyget.

• Yngre barn och personer med nedsatt styrka. Verktyget är inte avsett för yngre barn eller personer med nedsatt styrka utan handledning.

• Produkten är inte avsedd att användas av personer (inklusive barn) med nedsatt fysisk, sensorisk eller mentäl förmåga, ej heller av personer med bristande erfarenhet, kunskap eller kompetens såvida de inte handleds av en person som ansvarar för deras säkerhet. Barn ska aldrig lämnas ensamma med produkten.

• Endast användare med teknisk kompetens ska använda fästverktyget.

• Gör inga ändringar på fästverktyget. Ändringar kan minska säkerhetsåtgärdernas effektivitet samt öka risken för användaren och/eller personer i närheten.

BOSTITCH-verktyg är precisionsbyggda och designade för hög hastighet, högt volymflöde.

Verktygen är effektiva och pålitliga när de används korrekt. Tillverkarens instruktioner måste följas för bästa resultat. Läs manualen och se till att förstå säkerhets- och försiktighetsvarningarna innan du använder verktyget. Instruktionerna för installation, drift och underhåll ska läsa noggrant. Och manualerna ska sparas som referens. Anmärkning: Extra säkerhetsåtgärder kan vara nödvändiga på grund av din specifika tillämpning av verktyget. Kontakta din BOSTITCH-representant eller återförsäljare med alla frågor som rör verktyget och dess användning.

## ANMÄRKNING:

BOSTITCH-verktyg har designats för att ge hög kundnöjdhet. Dessutom har de designats för maximal prestanda när de används med precisionsfästelement från BOSTITCH som har tillverkats enligt samma stränga normer.

**BOSTITCH tar inte på sig ansvaret för produktens prestanda om något av våra verktyg används med fästelement eller tillbehör som inte uppfyller de specifika krav som ställs på äkta BOSTITCH-spikar, -klamrar och -tillbehör.**

## BEGRÄNSAD GARANTI

BOSTITCH sätter stor tillit till sina produkters kvalitet och erbjuder en garanti för professionella användare av produkten. Detta garantibevis är ett tillägg och påverkar på inget sätt dina avtalsenliga rättigheter som professionell användare eller dina lagstadgade rättigheter som privat icke-professionell användare. Garantin är giltig inom Europeiska unionens medlemsstater och inom det europeiska frihandelsområdet.

Om din BOSTITCH-produkt blir defekt på grund av felaktiga material eller utföranden inom 12 månader från inköpsdatumet garanterar BOSTITCH att byta ut alla defekta delar kostnadsfritt eller – efter vår bedömning – att byta ut enheten kostnadsfritt, förutsatt att:

- **Produkten inte har använts på ett felaktigt sätt**
- **Produkten har utsatts för normalt slitage; Drivrarblad, stötdämpare och o-ringar betraktas som slitdelar och ingår inte i garantin**
- **Reparationer inte har utförts av obehöriga personer**
- **Inköpsbevis visas upp**
- **Produkten returneras i fullständigt skick med alla originaldelar**
- **Produkten returneras på din bekostnad tillsammans med inköpsbeviset till vårt regionala reparationscentrum eller till ett auktoriserat garanticentrum.**

Om du vill göra en reklamation kan du kontakta säljaren eller leta upp din närmsta auktoriserade BOSTITCH-reparationsverkstad i BOSTITCH-katalogen eller kontakta ditt BOSTITCH-kontor på adressen som anges i manualen.

## SPECIALREFERENSER

Endast de fästelement som anges i bruksanvisningarna (se Tekniska data för verktyget) ska användas med verktyget. Verktyget och de angivna fästelementen betraktas som ett enskilt säkerhetssystem av säkerhetsskäl.

Innan verktyget används ska du alltid kontrollera att inga delar är trasiga, felanslutna eller slitna.

Reparationer ska bara utföras av auktoriserade ombud för BOSTITCH eller av andra experter med beaktande av säkerhets-, drift- och underhållsinstruktioner i denna manual, den specifika verktygsmanualen och verktygets Tekniska data.

**Anmärkning:** Experter är de som har förvärvat tillräcklig kompetens inom området fästverktyg antingen som ett resultat av professionell träning eller av erfarenhet, för att kunna bedöma om fästverktyget är i säkert skick.

Stativ eller jigger för montering av verktyget mot ett stöd, t.ex. ett arbetsbord ska designas och konstrueras av stativtillverkaren på ett sådant sätt fästverktyget kan fästas på ett säkert sätt för avsedd användning för att undvika exempelvis skador, vridning och förskjutning.

## **SAKERHETSINSTRUKTIONER**



**ÖGONSKYDD** som skyddar mot flygande partiklar både FRAMIFRÅN och från SIDAN ska alltid bäras av användaren och andra som befinner sig inom arbetsområdet när verktyget laddas, används eller servas. Ögonskydd krävs för att skydda mot flygande fästelement och skräp som kan orsaka allvarliga ögonskador. Arbetsgivaren och/eller användaren måste garantera att lämpligt ögonskydd används.

Ögonskydd enligt 89/686/EEG, och med samma eller högre klass än den som definieras i EN166 ska användas. Alla aspekter av användarens arbete, miljö och andra maskiner som används måste också beaktas när personlig skyddsutrustning väljs.



**FÖRSIKTIGHET: EXTRA SÄKERHETSSKYDD** kan behövas i vissa miljöer. I arbetsområdet kan det t.ex. vara hög ljudnivå som kan leda till hörselskador. Arbetsgivaren och användaren måste garantera att nödvändigt hörselskydd finns och används av operatören och andra inom samma arbetsområde. I vissa miljöer krävs skyddshjälm. När det krävs måste arbetsgivaren och den anställde garantera att skyddshjälm används.

## **BULLER**

- Oskyddad exponering för höga ljudnivåer kan leda till permanent, handikappande, hörselskada och andra problem som tinnitus (ringande, surrande, visslande eller brummande ljud i öronen).
- Riskbedömning och genomförande av lämpliga kontroller för dessa faror är nödvändig.
- Lämpliga kontroller för att minska risken kan innebripa åtgärder som dämpande material för att förhindra att arbetsstycken "ringer".
- Använd lämpligt hörselskydd.
- Använd och underhåll verktyget enligt rekommendationerna i dessa instruktioner för att förhindra en onödig ökning av bullernivån.
- Om verktyget har en luddämpare ska du alltid se till att den är på plats och i gott skick när verktyget används.

## **VIBRATIONSRIKSER**

- Information för att utföra en riskbedömning av dessa faror och genomförande av lämpliga kontroller är nödvändig.
- Exponering för vibrationer kan ge upphov till invalidiserande skador på nerverna och blodtillförseln till händer och armar.
- Bär varma kläder vid arbete i kalla miljöer. Håll händerna varma och torra.
- Om du upplever domningar, stickningar, smärta eller om huden på fingrar och händer vitnar ska du söka läkarvård hos företagshälsovärden angående alla aktiviteter.
- Använd och underhåll verktyget enligt rekommendationerna i dessa instruktioner för att förhindra en onödig ökning av vibrationsnivån.
- Håll i verktyget med ett lätt men stadigt grepp eftersom risken från vibrationerna i allmänhet är större när gripkraften ökar.

## **SAKERHETSINSTRUKTIONER FÖR TRYCKLUFTSFÖRSÖRJNING OCH -ANSLUTNINGAR**



Använd inte syre eller brännbara gaser som energikälla för pneumatiska verktyg.

Använd inte gaser på flaska eller en tryckluftsförsörjning där maximitrycket i ledningen

kan överskrida maximitrycket som anges i verktygsmanualen eftersom verktyget kan gå sönder och orsaka skador. Om det maximala luftförsörjningstrycket kan överskrida detta tryck måste en tryckreducerande ventil med säkerhetsventil nedströms vara inbyggd i luftförsörjningen.

- Medan du ansluter luftförsörjningen får du varken trycka på avtryckaren eller trycka ner säkerhetsbygel. Verktyget kan sättas i funktion och eventuellt orsaka skada.
- Verktygets koppling får inte hålla kvar trycket när luftförsörjningen kopplas bort. Om fel typ av anslutning används kan verktyget förbli fyllt med luft efter bortkopplingen och kommer därför kunna skjutas ut ett fästelement även efter luftledningen har kopplats från och eventuellt orsaka skador.
- Koppla alltid bort luftförsörjningen: 1) Innan du gör justeringar; 2) När verktyget servas; 3) När fästelement som har fastnat tas bort; 4) När verktyget inte används; 5) Vid förflyttning till en annan arbetsyta, eftersom oavsiktlig avfyrning kan inträffa som eventuellt leder till skada.

## ⚠ SÄKERHETSINSTRUKTIONER VID LADDNING AV VERKTYGET

När verktyget laddas: 1) Placera aldrig en hand eller någon annan kroppsdel i området där fästelementet skjuts ut; 2) Peka aldrig verktyget mot dig själv eller någon annan; 3) Tryck aldrig på avtryckaren och tryck aldrig ned säkerhetsbygel. Eftersom verktyget kan avfyras oavsiktligt, och en olycka kan ske.

**Anmärkning: Läs den separata manualen för verktygets Tekniska data för specifika laddningsinstruktioner och mått på rekommenderade fästelement.**

## ⚠ SÄKERHETSINSTRUKTIONER VID ANVÄNDNING AV VERKTYGET

- Hantera alltid verktyget med försiktighet: 1) Använd det aldrig vid lek; 2) Tryck aldrig på avtryckaren såvida den inte är riktad mot arbetsstycket; 3) Håll andra personer på ett säkert avstånd från verktyget medan verktyget används eftersom oavsiktlig avfyrning kan inträffa och orsaka skador.
- Operatören får inte hålla avtryckaren intryckt på verktyg som har en säkerhetsbygel monterad (kallas ibland för säkerhetslösare) förutom vid infästning eftersom det kan resultera i allvariga skador om säkerhetsbygel. Oavsiktligt kommer i kontakt med någon eller något som medför att verktyget avfyras.
- Håll händer och övriga kroppsdelar borta från verktygets utskjutningsområde. Ett verktyg som har

en säkerhetsbygel monterad kan studsas från rekyl. Dessutom kan ett fästelement skjutas ut. Dessutom kan ett önskat andra fästelement skjutas ut och eventuellt orsaka skada.

- Kontrollera regelbundet att säkerhetsbygelns mekanism fungerar som den ska. Använd inte verktyget om armen inte fungerar som den ska eftersom oavsiktlig utskjutning av ett fästelement kan bli resultatet. Gör inga ändringar på säkerhetsbygelns mekanism.
- Skjut inte ut fästelement ovanpå andra fästelement eftersom det kan leda till att fästelementen böjer av, vilket kan leda till skada.
- Skjut inte ut fästelement nära arbetsstyckets kant eftersom träet kan splittras så att fästelementet böjer av och kan orsaka skada.
- Sträck dig inte för långt. Använd bara en säker arbetsplats. Se till att hela tiden ha ett stadigt fotfäste och en bra balans.
- Håll förbipasserande på avstånd (när du arbetar på en plats där personer passerar förbi). Avgränsa tydligt ditt arbetsområde.
- Använd alltid det andra handtaget (om det medföljer).
- Använd bara handskar som ger ett bra grepp och säker kontroll över avtryckare och eventuella justeringsanordningar.
- Under arbetets gång kan skräp från arbetsstycket och fäst-/sorteringssystemet flyga runt.
- Var försiktig med verktyg som inte har kontakt med ett arbetsstycke eftersom de oavsiktligt kan skjutas iväg fästelement och skada användaren och förbipasserande.
- Kontrollera att verktyget alltid är ordentligt fäst på arbetsstycket och inte kan glida av.
- Behåll en balanserad arbetsställning och ett bra fotfäste.
- Lämpliga skyddsglasögon ska användas och lämpliga handskar och skyddskläder rekommenderas.

## ⚠ SÄKERHETSINSTRUKTIONER VID UNDERHÅLL AV VERKTYGET

När du använder tryckluftsvärktyg ska du observera varningarna i den här manualen, i de specifika verktygsinstruktionerna och de som sitter på själva verktyget. Och var extra försiktig när du får problem med verktyget.

## ⚠ TRYCKLUFTSFÖRSÖRJNING OCH -ANSLUTNINGAR

När verktyg ansluts till tryckluftsförsörjningen ska verktygets utskjutningsområde peka bort från användaren och andra personer i arbetsområdet.



Placera utskjutningsområdet över en testbit av ett material som är tillräckligt tjockt för att fästelementet som skjuts ut ska kunna fästa. Luftförsörjningen kan nu anslutas om alla kroppsdelar hålls utanför utskjutningsområdet.

För att förhindra oavsiktlig avfyrning och eventuella skador ska tryckluftsförsörjningen alltid kopplas ur:

1. innan justeringar görs.
  2. när verktyget servas.
  3. när fästelement som har fastnat tas bort.
  4. när verktyget inte används.
  5. När du flyttar till ett nytt arbetsområde kan oavsiktlig avfyrning uppstå och orsaka skada.
- Kompressorer måste vara lämpligt dimensionerade för att garantera tillräckligt tryck och volymflöde för avsedd användning. Tryckfall i tryckluftsförsörjningen kan minska verktygets utskjutningskraft. Se Tekniska data för verktyget när det gäller inställning av korrekt tryck för verktyget.
  - Industriella luftledningar ska läggas ut på en lutning, med den högsta punkten närmast kompressorn. Lättåtkomliga vattenlås ska monteras vid de lägsta punkterna – Töm vattenlåsen minst en gång per dag, eller oftare om det behövs. Smuts och vatten i luftförsörjningen är de största orsakerna till slitage i pneumatiska verktyg. Anslutningspunkter för verktyget ska monteras med filter/regulator/ serviceenhet direkt vid anslutningspunkten. Ett filter bidrar till att ge bästa prestanda och minimalt slitage. Filtret måste ha lämplig flödeskapacitet för den avsedda installationen. Filtret måste hållas rent för att fungera effektivt när verktyget försörjs med tryckluft. Följ tillverkarens instruktioner för korrekt underhåll av filtret. Ett smutsigt och igensatt filter medför en trycksänkning vilket minskar verktygets prestanda.
  - Förgreningar från industriella luftledningar till verktyget ska göras från översidan av luftledningen.
  - Luftslangar ska klara av ett arbetstryck på minst 10,6 bar eller 150 % av maximitrycket som luftsystemet kan tillföra. Matningsslangen ska ha en snabbkoppling som snabbt kan kopplas loss från verktygets hankoppling.
  - Kontrollera att trycket till verktyget inte överskrider det maximalt tillåtna arbetstrycket som kallas ps max. (se verktygets Tekniska data), ställ initialt in matningstrycket på det lägsta rekommenderade arbetstrycket (se verktygets Tekniska data).
  - Kontrollera att verktyget fungerar korrekt genom att sätta nosen mot en träbit och trycka på avtryckaren en eller två gånger.

## SMÖRJNING

- För bästa prestanda rekommenderas regelbunden smörjning men i mindre mängder. Olja som appliceras via luftledningens anslutning smörjer de invändiga delarna. Mer information om korrekt smörjning kan du läsa i verktygets Tekniska data. Använd inte detergent-olja eller tillsatser eftersom dessa smörjmedel kommer att leda till ökat slitage på verktygets tätningar och stötdämpare.
- Om inget smörjmedel används för luftledningen kan olja tillsättas under användningen i verktygets tryckluftsanslutning en eller två gånger per dag. Det behövs bara ett par droppar åt gången (3–5). För mycket olja kommer bara ansamlas i verktyget vilket blir märkbart i utmatningscykeln.
- Arbete i kall väderlek. - Vid arbete i temperaturer nära och under noll grader kan fukten i luftledningen frysa och förhindra att verktyget fungerar. Vi rekommenderar att du använder BOSTITCH Winter Formula smörjning för tryckluftswerktyg eller permanent frostskyddsmedel (etylenglykol) som smörjmedel vid låga temperaturer.

**Försiktighet** – För att förhindra frost- eller isbildning på verktygets manövertillvägertill och driftmekanismer som kan leda till funktionsproblem ska verktyget inte förvaras där det är kallt.

**Anmärkning:** Vissa typer av torkvätskor för luftledningar som finns i handeln kan skada O-ringar och packningar – använd inte dessa lufttorkare för låga temperaturer utan att kontrollera att de är kompatibla.

## ANVÄNDNING

**ÖGONSKYDD** som skyddar mot flygande partiklar både **FRAMIFRÅN** och från **SIDAN** ska alltid bäras av användaren och andra som befinner sig inom arbetsområdet när verktyget laddas, används eller servas. Ögonskydd krävs för att skydda mot flygande fästelement och skräp som kan orsaka allvarliga ögonskador. Arbetsgivaren och/eller användaren måste garantera att lämpligt ögonskydd används. Ögonskydd måste ge skydd både framifrån och från sidan. **Anmärkning:** Varken glasögon utan skydd på sidorna eller visir ger tillräckligt skydd.

**⚠ WARNING!** Om du har tappat verktyget eller om du misstänker att det är trasigt ska du kontrollera att det fungerar enligt avsnittet Kontroll av verktygets funktion.

## FÖRHINDRA OAVSIKTLIGA SKADOR:

- Placera aldrig händer eller andra kroppsdelar i det område där fästelementen skjuts ut ur verktyget när tryckluftsförsörjningen är inkopplad.

• Rikta aldrig verktyget mot någon.

• Använd det aldrig vid lek.

• Tryck aldrig på avtryckaren såvida den inte är riktad mot arbetsstycket.

• Hantera alltid verktyget med försiktighet.

• Tryck inte på avtryckaren och tryck inte ned säkerhetsbygel medan verktyget laddas.

FR Reproduction interdite sans permission préalable. Les copies non autorisées de ce document ne signifient en rien que les produits soient conformes aux normes CE.

## TYPER AV ANVÄNDNING : BOSTITCH erbjuder SJU typer av användning:

Användningstyp	Verktygsmanual Referens	Säkerhetsbygel /säkerhetsutlösare
LÄGE KONTAKTAVFYRNING	1	✓
LÄGE PARTIELL AVFYRNING	2	✓
LÄGE FULL SEKVENS AVFYRNING	2A	✓
MED AVTRYCKARFUNKTION	3	✗
FUNKTIONEN KONTINUERLIG KONTAKTAVFYRNING	4	✓
KONTINUERLIG AVTRYCKARFUNKTION ELLER "AUTOMATISK FUNKTION"	5	✗
VALBART AVFYRNINGSLÄGE	6	✓

### VERKTYG UTAN SÄKERHETSBYGEL

(IBLAND KALLAD SÄKERHETSUTLÖSARE)

- **Två** möjliga användningstyper:

### AVTRYCKARFUNKTION

(Referens 3 i tabellen Tekniska data, kolumn L(a))

Modellen med avtryckare avfyras bara genom att avtryckaren aktiveras. Modellen har ingen säkerhetsbygel och är bara avsedd för användning då säkerhetsbygel INTE KAN användas för att uppfylla kraven som ställs på tillämpningen. Verktyg som manövreras med avtryckare avfyras varje gång avtryckaren aktiveras.

### VERKTYG MED SÄKERHETSBYGEL

(IBLAND KALLAD SÄKERHETSUTLÖSARE)

- **Fem** möjliga användningstyper:

Alla verktyg med en säkerhetsbygel är markerade med en upp och nedvänd liksidig triangel. Försök inte använda ett verktyg som är märkt på detta sätt ifall säkerhetsbygel saknas eller ser trasigt ut.

De flesta verktygen är utrustade med en säkerhetsbygel som normalt är i läget "utdragen" eller "ner" (Referens 1 i tabellen Tekniska data, kolumn L(b)). Vissa verktyg är utrustade med en säkerhetsbygel som normalt är i läget "nedtryckt" eller "upp" (Referens 2 i tabellen Tekniska data, kolumn L(b)). Följ verktygets manual för Tekniska data för fullständiga instruktioner om den här funktionen.

### CZ Niniejszy dokument nie może być kopiowany bez pozwolenia. Nieautoryzowane kopie niniejszego dokumentu KONTINUERLIG AVTRYCKARFUNKTION ELLER "AUTOMATISK FUNKTION"

(Referens 5 i tabellen Tekniska data, kolumn L(a)).

För modellen med kontinuerlig avtryckarfunktion upprepas utskjutningscyklerna så länge avtryckaren är aktiverad. Modellen har ingen säkerhetsbygel och är bara avsedd för användning då säkerhetsbygel inte kan användas för att uppfylla kraven som ställs på tillämpningen.



### KONTAKTAVFYRNINGSLÄGE

(SVART AVTRYCKARE)

(Referens 1 i tabellen Tekniska data, kolumn L(a))

Den vanliga arbetsproceduren för verktyg i "kontaktläge" eller "stöt läge" är att operatören aktiverar säkerhetsbygel samtidigt som avtryckaren hålls

intryckt, vilket leder till att ett fästelement skjuts in varje gång verktyget kommer i kontakt med arbetsstycket. Detta system ger snabb placering av fästelement, vilket är fördelaktigt vid många arbeten, såsom kartong- och pallmontering. Vid användning av tryckluftsdrivna verktyg föreligger risk för rekylverkan när fästelementen skjuts in. Verktyget kan studsas och få säkerhetsbygeln att frigöras, och om verktyget oavsiktligt får kontakt med arbetsytan och avtryckaren fortfarande är aktiverad (fingret håller fortfarande avtryckaren intryckt) kommer ett andra fästelement oavsiktligt att skjutas ut.



**⚠️ WARNING!** Verktyg som har märkts med den här symbolen har antingen kontaktavfyrning, kontinuerlig kontaktavfyrning eller valbar avfyrning.

Dessa verktyg har konstruerats för användning i produktionstillämpningar, t.ex. lastpallar, möbler, mobila hem och möbelstopppning. **Använd INTE** verktyget för kontaktavfyrning vid applikationer såsom förslutning av kartonger eller lådor och infästning av transportsäkerhetssystem på lastflak eller lastbilar. Verktyget ska bara användas på säkra arbetsplatser. Försiktighet måste iaktas för att förhindra oavsiktlig avfyrning när du växlar från en arbetsposition till en annan.



### SEKVENSAVFYRNING – 2 TYPER (GRÅ AVTRYCKARE):

#### TYP 1: LÅGE FÖR PARTIELL SEKVENSAVFYRNING (Referens 2 i tabellen Tekniska data, kolumn L(a))

Låget partiell sekvensavfyrning kräver att operatören håller verktyget mot arbetsstycket med nedtryckt säkerhetsbygel innan avtryckaren trycks ned. För att avfyra extra fästelement måste avtryckaren släppas och tryckas in för att verktyget ska fungera. Verktyget fortsätter fungera varje gång avtryckaren är intryckt medan verktyget fortfarande hålls mot arbetsstycket.

#### TYP 2: LÅGE FÖR FULL SEKVENSAVFYRNING (Referens 2A i tabellen Tekniska data, kolumn L(a))

Låget full sekvensavfyrning fungerar på liknande sätt som låget partiell sekvensavfyrning. Ett undantag är att för avfyrning av extra fästelement måste avtryckaren släppas och verktyget lyftas bort från arbetet och

tryckas igen mot arbetet, innan nästa fästelement kan skjutas in.

Båda typerna av sekvenslägen gör att det blir lättare att placera fästelementen på rätt plats, till exempel på ramar och förpackningar. Sekvensläget gör det möjligt att exakt placera fästelementet, utan att riskera att ett andra fästelement skjuts ut till följd av rekylverkan, vilket däremot är fallet vid låget kontaktavfyrning (nedan). Verktyget med sekvensläge är mycket fördelaktiga ur säkerhetssynpunkt. Denna typ av verktyg skjuter inte ut ett andra fästelement om verktyget kommer i kontakt med arbetsstycket eller något annat föremål medan operatören håller avtryckaren intryckt.

### FUNKTIONEN KONTINUERLIG KONTAKTAVFYRNING (Referens 4 i tabellen Tekniska data, kolumn L(a))

För verktyg som arbetar med kontinuerlig kontaktavfyrning upprepas utskjutningscyklerna så länge avtryckaren och säkerhetsbygeln är aktiverade.

Innan du hanterar eller använder verktyget:

Läs och se till att förstå varningarna i manualen. Se Tekniska data för verktyget för att identifiera verktygets driftsystem.



**⚠️ WARNING!** Verktyg som har märkts med den här symbolen har antingen kontaktavfyrning, kontinuerlig kontaktavfyrning eller valbar avfyrning.

Dessa verktyg har konstruerats för användning i produktionstillämpningar, t.ex. lastpallar, möbler, mobila hem och möbelstopppning. **Använd INTE** verktyget för kontaktavfyrning vid applikationer såsom förslutning av kartonger eller lådor och infästning av transportsäkerhetssystem på lastflak eller lastbilar. Verktyget ska bara användas på säkra arbetsplatser. Försiktighet måste iaktas för att förhindra oavsiktlig avfyrning när du växlar från en arbetsposition till en annan.



### VALBART AVFYRNINGSLÅGE: (Referens 6 i tabellen Tekniska data, kolumn L(a))

En del verktyg har utrustats med ett valbart läge så att användaren kan växla mellan lägena sekvensavfyrning och kontaktavfyrning.

Vilket läge som har valts visas av positionen på lägesomkopplaren. När den pekar på symbolen med flera spikar som finns på verktygsstommen har kontaktavfyrning valts. När den pekar på symbolen med en enda spik som finns på verktygsstommen har sekvensavfyrning valts. Läs och se till att förstå avsnitten ovan med rubrikerna Läge för kontaktavfyrning och Läge för sekvensavfyrning innan du väljer läge.

Läs verktygets manual för Tekniska data för fullständiga instruktioner om den här funktionen.



**⚠ VARNING!** Verktyg som har märkts med den här symbolen har antingen kontaktavfyrning, kontinuerlig kontaktavfyrning eller valbar avfyrning.

Dessa verktyg har konstruerats för användning i produktionsstillämpningar, t.ex. lastpallar, möbler, mobila hem och möbelstopponing. **Använd INTE** verktyget för kontaktavfyrning vid applikationer såsom förslutning av kartonger eller lådor och infästning av transportsäkerhetssystem på lastflak eller lastbilar. Verktyget ska bara användas på säkra arbetsplatser. Försiktighet måste iaktas för att förhindra oavsiktlig avfyrning när du växlar från en arbetsposition till en annan.

## KONTROLL AV VERKTYGETS FUNKTION

**FÖRSIKTIGHET:** Ta bort alla fästelement från verktyget innan du kontrollerar verktygets funktion.

**⚠ VARNING!** Om du har tappat verktyget eller om du misstänker att det är trasigt ska du kontrollera om det fungerar enligt avsnittet **Kontroll av verktygets funktion**.

### VERKTYG MED AVTRYCKARFUNKTION:

A) Håll verktyget med ett stadigt grepp om handtaget utan att hålla fingret på avtryckaren.

B) Placera verktygets nos mot arbetsstycket.

C) Tryck på avtryckaren för att skjuta ut ett fästelement. Släpp avtryckaren och det är klart.

**FÖRSIKTIGHET:** Verktyget sätts i funktion varje gång avtryckaren trycks in.

### VERKTYG MED KONTINUERLIG AVTRYCKARFUNKTION ELLER "AUTOMATISK FUNKTION"

A) Håll verktyget med ett stadigt grepp om handtaget utan att hålla fingret på avtryckaren.

B) Placera verktygets nos mot arbetsstycket.

C) Tryck på avtryckaren och låt verktyget glida antingen från sida till sida eller framåt och bakåt. Verktyget fortsätter att avfyra fästelement tills du släpper avtryckaren.

**FÖRSIKTIGHET:** Kontrollera att verktyget hålls stadigt mot arbetsytan och inte kommer nära kanterna på arbetsstycket medan du arbetar. Ett fästelement kan skjutas ut i luften och eventuellt orsaka skada.

### FUNKTIONEN KONTAKTAVFYRNING

A) Tryck säkerhetsbygeln mot arbetsytan utan att fingret är på avtryckaren.

**VERKTYGET SKA INTE AVFYRAS.**

B) Avlägsna verktyget från arbetsstyckets yta och undvik att peka verktyget mot dig själv eller någon annan, tryck på avtryckaren.

**VERKTYGET SKA INTE AVFYRAS.**

C) Avlägsna verktyget från arbetsstyckets yta, tryck på avtryckaren. Tryck säkerhetsbygeln mot arbetsytan

**VERKTYGET SKA AVFYRAS.**

D) Utan att röra vid avtryckaren trycker du säkerhetsbygeln mot arbetsytan och trycker sedan på avtryckaren.

**VERKTYGET SKA AVFYRAS.**

### FUNKTIONEN PARTIELL SEKVENSLÖSNING

A) Tryck säkerhetsbygeln mot arbetsytan utan att röra vid avtryckaren.

**VERKTYGET SKA INTE AVFYRAS.**

B) Avlägsna verktyget från arbetsstyckets yta, och utan att rikta det mot dig själv eller någon annan trycker du på avtryckaren.

**VERKTYGET SKA INTE AVFYRAS.**

C) Avlägsna verktyget från arbetsstyckets yta, tryck på avtryckaren. Tryck säkerhetsbygeln mot arbetsytan

**VERKTYGET SKA INTE AVFYRAS.**

D) Utan att röra vid avtryckaren trycker du säkerhetslösaren mot arbetsytan och trycker sedan på avtryckaren.

**VERKTYGET SKA AVFYRAS.**

## ANVÄNDNING AV VERKTYGET

- E) Med verktyget fortfarande tryckt mot arbetsytan trycker du på avtryckaren igen.

### VERKTYGET SKA AVFYRAS.

### FUNKTIONEN FULL SEKVENSLÖSNING

- A) Tryck säkerhetsbygeln mot arbetsytan utan att röra vid avtryckaren.

#### VERKTYGET SKA INTE AVFYRAS.

- B) Avlägsna verktyget från arbetsstyckets yta, och utan att rikta det mot dig själv eller någon annan trycker du på avtryckaren.

#### VERKTYGET SKA INTE AVFYRAS.

- C) Avlägsna verktyget från arbetsstyckets yta, tryck på avtryckaren. Tryck säkerhetsbygeln mot arbetsytan

#### VERKTYGET SKA INTE AVFYRAS.

- D) Utan att röra vid avtryckaren trycker du säkerhetslösaren mot arbetsytan och trycker sedan på avtryckaren.

#### VERKTYGET SKA AVFYRAS.

- E) Med verktyget fortfarande tryckt mot arbetsytan trycker du på avtryckaren igen.

#### VERKTYGET SKA INTE AVFYRAS.

### FUNKTIONEN KONTINUERLIG KONTAKTAVFYRNING:

- A) Tryck säkerhetsbygeln mot arbetsytan utan att fingret är på avtryckaren.

#### VERKTYGET SKA INTE AVFYRAS.

- B) Avlägsna verktyget från arbetsstyckets yta, och utan att rikta det mot dig själv eller någon annan trycker du på avtryckaren.

#### VERKTYGET SKA INTE AVFYRAS.

- C) Avlägsna verktyget från arbetsstyckets yta, tryck på avtryckaren. Tryck säkerhetsbygeln mot arbetsytan och låt verktyget glida antingen från sida till sida eller framåt och bakåt.

#### VERKTYGET SKA AVFYRAS OCH FORTSÄTTA AVFYRAS TILLS ANTINGEN AVTRYCKAREN SLÄPPS ELLER VERKTYGET LYFTS BORT FRÅN ARBETSYTAN.

- D) Utan att röra vid avtryckaren trycker du säkerhetsbygeln mot arbetsytan och trycker sedan på avtryckaren.

#### VERKTYGET SKA AVFYRAS OCH FORTSÄTTA AVFYRAS TILLS ANTINGEN AVTRYCKAREN SLÄPPS ELLER VERKTYGET LYFTS BORT FRÅN ARBETSYTAN.

När du har kontrollerat att verktyget fungerar som det ska trycker du nosen mot arbetsstycket och trycker på avtryckaren. Kontrollera om fästelementet har skjutits ut.

- Om fästelementet inte har fastnat tillräckligt djupt ökar du lufttrycket med 0,5 bar (5–6 PSI) varje gång och kontrollerar resultatet efter varje justering. Överskrid inte det maximalt tillåtna arbetstrycket (se Tekniska data för verktyget)

- Om fästelementet har fastnat för djupt minskar du lufttrycket med 0,5 bar (5–6 PSI) varje gång och kontrollerar resultatet efter varje justering. Använd inte lägre arbetstryck än det rekommenderade minimitrycket (se Tekniska data för verktyget).

Försök alltid arbeta med lägsta möjliga arbetstryck. Det minskar bullret och vibrationerna och förlänger livslängden på de inre komponenterna, t.ex. stötdämparen.

### UTÖVER DE ANDRA VARNINGARNA I MANUALEN SKA DU VARA UPPMÄRKSAM PÅ FÖLJANDE FÖR SÄKER FUNKTION:

- Respektera att BOSTITCH pneumatiska fästverktyg är ett verktyg. Det är ingen leksak. Ingen lek.
- Använd BOSTITCH pneumatiska verktyg bara för det avseende som det har designats.
- Använd aldrig verktyget på ett sådant sätt att ett fästelement riktas mot användaren eller någon annan i arbetsområdet.
- Använd inte verktyget som en hammare.
- Bär alltid verktyget i handtaget. • Bär aldrig verktyget i luftslangen. • Bär aldrig verktyget med avtryckaren intryckt.
- Ändra aldrig verktyget från originaldesignen eller -funktionen utan skriftligt godkännande från BOSTITCH
- Var alltid medveten om att felaktig användning och hantering av verktyget kan leda till skador på dig och på andra.
- Kläm aldrig fast eller tejpa avtryckaren eller säkerhetsbygeln i avfyringsläge.
- Lämna aldrig ett verktyg utan uppsikt med tryckluftslangen ansluten.
- Använd inte verktyget om det inte har en läsbar VARNINGSETIKETT.
- Fortsätt aldrig använda ett verktyg som läcker luft eller inte fungerar korrekt. Kontakta din närmsta BOSTITCH-representant om verktyget fortsätter ha funktionsproblem.

• När du använder verktyget ska du hålla det på ett sådant sätt att huvudet eller kroppen inte kan skadas ifall verktygets rekylverkan ökar på grund av minskat tryck i luftförsörjningen eller hårda områden i arbetsstycket.

• Arbeta inte nära arbetsstyckets hörn eller kanter. Fästelementet kan släppa från arbetsstycket och eventuellt orsaka skador.

• Vid transport av verktyget måste luftförsörjningen kopplas loss först.

• Kontrollera att både säkerhetsbygeln (om sådan finns) och avtryckaren fungerar som de ska.

• Montera aldrig av eller blockera någon del av verktyget, speciellt inte säkerhetsbygeln.

• Undvik att skada verktyget med slag och repor.



• Använd inte skadade, slitna eller försämrade luftslangar och rördelar



• Bär aldrig verktyget i slangen.

• Var försiktig vid användning av tryckluftswerktyg eftersom verktyget kan bli kallt och påverka greppet och kontrollen

## Faror med repetitiva rörelser

• Vid användning av verktyget under långa perioder kan användaren känna obehag i händerna, armarna, axlarna, nacken eller i andra kroppsdelar.

Följande gäller:

• När verktyget används ska användaren anta en lämplig ergonomisk arbetsställning. Bibehåll ett bra fotfäste och undvik besvärliga eller obalanserade arbetsställningar.

• Om användaren upplever symptom som ihållande eller återkommande obehag, smärta, skakningar, värk, stickningar, domningar, brännande känsla eller stelhet ska dessa varningstecken inte ignoreras. Användaren ska kontakta kvalificerad sjukvårdspersonal angående dessa symptom.

## Faror på arbetsplatsen

• De största orsakerna till skador på arbetsplatsen är att man halkar, snubblar och faller. Var medveten om hala ytor som orsakats av verktyget och även snubblingsrisken på grund av luftledningsslangen.

• Var alltid extra försiktig i obekanta omgivningar. Det kan finnas dolda faror, t.ex. elkablar eller andra ledningar.

• Verktyget är inte avsett att användas i omgivningar som kan vara explosiva och det är inte isolerat mot elektrisk ström.

• Kontrollera att det inte finns några elkablar, gasledningar m.m. som kan utgöra en risk ifall de skadas genom användning av verktyget.

## Kvarstående risker

Följande risker beror på hur maskinerna används.

• Skador orsakade av felaktig användning av verktyget.

• Förlust av kontroll på grund av att verktyget inte har greppats ordentligt.

• Muskelsträckning i armar och händer, speciellt vid arbete över huvudhöjd. Ta alltid regelbundna pauser om du ska arbeta under långa arbetspass.

Trots att relevanta säkerhetsregler tillämpas och det finns säkerhetsanordningar kan vissa kvarstående risker inte undvikas. De är:

• Försämrad hörsel

• Risk för personskadorna på grund av flygande partiklar

• Risk för brännskador eftersom tillbehören blir varma under arbetet.

• Risk för personskadorna på grund av långdraget arbete.

• Förlorad kontroll på grund av rekylverkan.

• Risk för skada orsakad av ihopklämda punkter, vassa kanter och felaktig hantering av arbetsstycket.

• Risk för skada orsakad av vassa kanter vid bite av spikar eller när bandad spik förs in.

## BULLER (se verktygets Tekniska data)

Karakteristiska värden för verktyget har bestämts i enlighet med EN 12549 – Akustik – Mätning av buller från spikningsverktyg – Teknisk metod.

Värdena är verktygsrelaterade värden och ger inga indikationer om bullerutvecklingen vid användningsplatsen. Bullerutvecklingen vid arbetsplatsen beror exempelvis på arbetsmiljön, arbetsstycket, arbetsstyckets stöd och antalet utförda arbetsmoment.

Beroende på förhållanden på arbetsplatsen och arbetsstyckets form måste eventuellt individuella ljuddämpningsåtgärder utföras, t.ex. placera arbetet på ljuddämpande stöd, förhindra arbetsstyckets vibration med hjälp av fastspänning eller övertäckning, justera tryckluftstrycket till det lägsta värde som krävs för arbetet.

## INFORMATION OM VIBRATION (Se verktygets Tekniska data)

Karakteristiskt vibrationsvärde för verktyget har bestämts i enlighet med ISO/WD 8662-11 "Mätning av vibrationer i handtag – Del 11: Spikningsverktyg". Värdet är verktygsrelaterat och representerar inte påverkan på händer och armar vid användning

av verktyget. Påverkan på händer och armar vid användning av verktyget beror exempelvis på greppstyrkan, kontaktkraften och arbetsriktningen, justeringen av tryckluftsförsörjningen, arbetsstycket och arbetsstyckets stöd.

DE Vervielfältigung nicht ohne Genehmigung gestattet. Unzulässig erstellte Kopien dieses Dokuments erfüllen nicht die CE-Richtlinien für Produkte.

NL Mag niet worden vermenigvuldigd zonder toestemming. Onrechtmatige kopieën van dit document willen niet zeggen dat de producten voldoen aan de CE-voorschriften.

DK Må ikke gengives uden tilladelse. Uautoriserede kopier af dette dokument udgør ikke CE-overholdelse for produkterne.

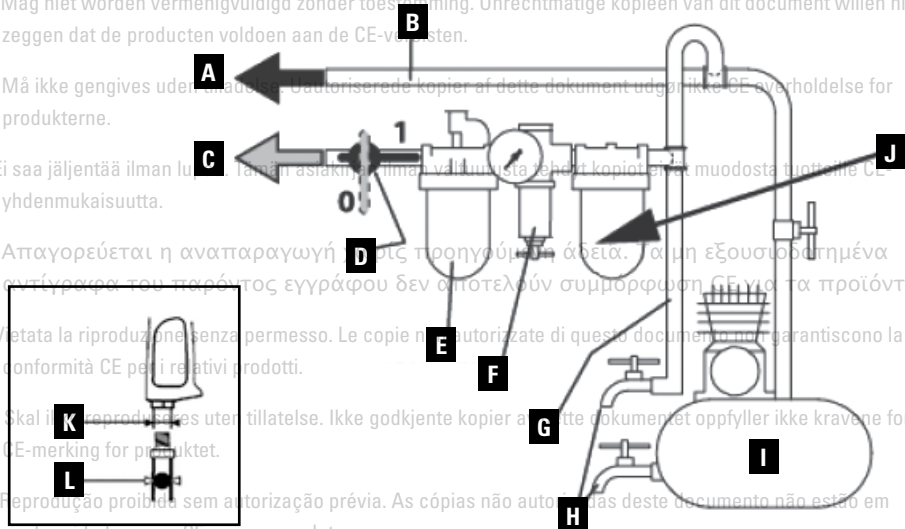
FI Ei saa jäljentää ilman lupaa. Tämän asiakirjan nimitelmästä luultavasti tehtyjen kopioiden ei muodosta tuotteen CE-yhdenmukaisuutta.

GR Απαγορεύεται η αναπαραγωγή ή προηγούμενη άδεια. Αι μη εξουσιοδοτημένα αντίγραφα του παρόντος εγγράφου δεν αποτελούν συμμόρφωση CE για τα προϊόντα.

IT Vietata la riproduzione senza permesso. Le copie non autorizzate di questo documento non garantiscono la conformità CE per i relativi prodotti.

NO Skal ikke reproduseres uten tillatelse. Ikke godkjente kopier av dette dokumentet oppfyller ikke kravene for CE-merking for produktet.

PT Reprodução proibida sem autorização prévia. As cópias não autorizadas deste documento não estão em conformidade com a CE para os produtos.



- A) Till luftsystem
- B) Huvudledningar (3 x inloppsstorlek på tryckluftswerktyget)
- C) Till luftverktyg
- D) Nödavstängningsventil
- E) Smörjanordning
- F) Regulator
- G) Grenledning (2 x inloppsstorlek på tryckluftswerktyget)
- H) Avrinning
- I) Kompressor
- J) Filter
- K) 1/4" NPT koppling för högt flöde
- L) Luftslang 3/8" (10 mm) I.D. Min

## BÖRJA ANVÄNDA VERKTYGET

En luftfilterrenhet (J) ska placeras mellan luftkompressorn och luftsmörjanordningen för att ren luft ska levereras till verktyget. Vatten och smuts kan förstöra tryckluftswerktygen (se diagrammet ovan)

## FELSÖKNING OCH UNDERHÅLL

Reparationer ska bara utföras av auktoriserade ombud för BOSTITCH eller av andra experter med beaktande av säkerhets-, drift- och underhållsinstruktionerna i

denna manual, i den specifika verktygsmanualen och i verktygets Tekniska data.

- Koppla bort tryckluften från verktyget och töm magasinet helt innan underhåll och reparationer påbörjas. Observera varningarna i den här manualen i verktygets Tekniska data samt de varningar som sitter på själva verktyget. Och var extra försiktig när du får problem med verktyget.
- Endast originaldelar från BOSTITCH ska användas. Använd inte modifierade delar eller delar som inte ger samma prestanda som originalutrustningen.

- Vid underhåll av verktyget ska du kontrollera att de inre delarna är rena och insmorda. Använd Parker O-Lube eller motsvarande på alla O-ringar. Täck varje O-ring med O-Lube före montering. Använd en liten mängd olja på alla rörliga ytor och tappar. När verktyget har monterats igen tillsätter du några droppar av BOSTITCH Air Tool Lubricant genom luftledningen innan du testar verktyget.

- För fler instruktioner som relaterar till just underhållet av verktyget, se verktygets Tekniska data.
- Om problemet inte går att lösa med hjälp av schemat nedan bör du kontakta närmaste Bostitch-representant eller -återförsäljare.

PROBLEM	ORSAK	ÅTGÄRD
Funktionsstörning	Begränsad lufttillförsel	Kontrollera utrustningen för lufttillförsel
	Verktyget torrt, saknar smörjning	Använd BOSTITCH Air Tool Lubricant
	Huvudventilens O-ringar slitna (om sådana finns)	Byt ut O-ringarna
	Trasig fjäder till cylinderlocket	Byt ut fjäder till cylinderlocket
	Huvudventilen (om sådan finns) fastnat i locket	Demontera/kontrollera/smörj
Kraftförlust; för långsam för att kunna avfyra	För lågt lufttryck	Kontrollera utrustningen för lufttillförsel
	Verktyget torrt, saknar smörjning	Använd BOSTITCH Air Tool Lubricant
	Trasig fjäder till cylinderlocket	Byt ut fjäder till cylinderlocket
	O-ringar/tätningar trasiga eller spruckna	Byt ut O-ringar/tätningar
	Utmatning blockerad	Kontrollera dämpare, huvudventilens fjäder, ljuddämpare
	Avtryckarenheten sliten/läcker	Byt ut avtryckarenheten
	Cylindermuffen inte placerad på korrekt sätt på den nedersta stötdämparen	Demontera för att korrigera
	Huvudventilen torr	Demontera/smörj
Luftläckage från avtryckarens ventilhus	O-ring trasig eller sprucken	Byt ut O-ring
Luftläckage från avtryckarens ventilskaft	O-ringar/tätningar trasiga eller spruckna	Byt ut O-ringar/tätningar
Luftläckage från stomme/nos	O-ring eller packning trasig eller sprucken	Byt ut O-ring eller packning
	Stötdämpare sprucken/sliten	Byt ut stötdämparen
Luftläckage från verktygsstomme/lock	Skadad packning eller tätning	Byt ut packning eller tätning



PROBLEM	ORSAK	ÅTGÄRD
GB Not to be reproduced without permission for the products.	Sprucken/sliten stötdämpare till huvudventil	Byt ut stötdämparen
FR Reproduction interdite sans permission préalable. Les copies non autorisées ne constituent pas un document officiel.	Lösa skruvar till locket	Dra åt och kontrollera igen
DE Vervielfältigung nicht ohne Genehmigung gestattet. Unzulässig erstellte Kopien dieses Dokuments erfüllen nicht die CE-Richtlinien für Produkte.	Sliten stötdämpare	Byt ut stötdämparen
NL Mag niet worden vernoemd of afgebeeld. Het kopiëren van dit document willen niet zeggen dat de producten voldoen aan de CE-voorschriften.	Dålig lufttillförsel/ otillräckligt luftflöde genom snabbkopplingskontakt och -plugg	Byt ut snabbkopplingsanslutningarna
DK Må ikke gengives uden tilladelse. Uautoriserede kopier af dette dokument udgør ikke CE-mærkede produkter.	Kolvens O-ring sliten (om sådan finns)	Byt ut O-ring, kontrollera drivare
FI Ei saa jaijentaa ilman lupaa. Tämän asiakirjan ilman valtuutusta tehdyt kopiot eivät muodosta tuotteen CE-yhdenmukaisuutta.	Verktyget torrt, saknar smörjning	Använd BOSTITCH Air Tool Lubricant
GR Απαγορεύεται η αναπαραγωγή ή η αντιγραφή χωρίς προηγούμενη άδεια. Τα μη εξουσιοδοτημένα αντίγραφα του παρόντος εγγράφου δεν αποτελούν συμπλήρωμα των CE για τα προϊόντα.	Inskjutarens fjäder skadad	Byt ut fjädern
IT Vietata la riproduzione senza permesso. Le copie non autorizzate di questo documento non garantiscono la conformità CE per i relativi prodotti.	För lågt lufttryck	Kontrollera lufttillförselsystemet
NO Skal ikke reproduseres uten tillatelse. Ikke godkjente kopier av dette dokumentet oppfyller ikke kravene for CE-merking for produktet.	Magasinets nosskruvar är lösa	Dra åt alla skruvar
PT Reprodução proibida sem autorização. As cópias não autorizadas deste documento não estão em conformidade com a CE para os produtos.	Fästelementen för korta för verktyget	Använd bara rekommenderade fästelement
SE Prohibida la reproducción sin permiso. Las copias no autorizadas de este documento no suponen la conformidad con las normas CE de los productos.	Böjda fästelement	Använd inte denna typ av fästelement
SK Rozmnožovanie bez povolenia je zakázané. Neoprávnené kopie tohto dokumentu nie sú v súlade s CE pre dané výrobky.	Fel storlek på fästelementen	Använd bara rekommenderade fästelement
ES Prohibida la reproducción sin permiso. Las copias no autorizadas de este documento no suponen la conformidad con las normas CE de los productos.	Läckage från lockets packning	Dra åt skruvar/byt ut packning
CZ Niniejszy dokument nie może być kopiowany bez pozwolenia. Nieautoryzowane kopie niniejszego dokumentu nie stanowią deklaracji zgodności CE prezentowanych produktów.	O-ring till avtryckarventilen trasig/sliten	Byt ut O-ring
HU A dokumentum engedély nélkül nem sokszorosítható. Az engedély nélkül sokszorosított dokumentum nem jelenti a termék CE-megfelelőségét.	Trasig/sprucken drivare	Byt ut drivare (kontrollera kolvens O-ring)
RO Reproducerea neautorizată este interzisă. Copiile neautorizate ale acestui document nu reprezintă conformitatea CE pentru produse.	Torr/smutsigt magasin	Rengör/smörj, använd BOSTITCH Air Tool Lubricant
	Slitet magasin	Byt ut magasin
	Drivarens kanal sliten	Byt ut nos/kontrollera öppningen
	Fel storlek på fästelement	Använd bara rekommenderade fästelement
	Böjda fästelement	Använd inte denna typ av fästelement
	Magasinets/nosens skruvar är lösa	Dra åt alla skruvar
	Trasig/sprucken drivare	Byt ut drivare (kontrollera kolvens O-ring)

## **INSTRUKCJA OBSŁUGI I BEZPIECZEŃSTWA**



**PRZED PRZYSTĄPIENIEM DO UŻYTKOWANIA NARZĘDZIA WSZYSTKIE OSOBY POSŁUGUJĄCE SIĘ NIM POWINNY DOKŁADNIE ZAPOZNAĆ SIĘ Z NINIEJSZĄ INSTRUKCJĄ ORAZ DANYMI TECHNICZNYMI NARZĘDZIA I PRZESTRZEGAĆ WSZELKICH ZALECEŃ I OSTRZEŻEŃ DOTYCZĄCYCH ZACHOWANIA BEZPIECZEŃSTWA. INSTRUKCJĘ NALEŻY PRZECHOWYWAĆ WRAZ Z NARZĘDZIEM, ABY MOŻNA BYŁO SKORZYSTAĆ Z NIEJ W PRZYSZŁOŚCI. W RAZIE JAKICHKOLWIEK WĄTPLIWOŚCI NALEŻY SKONTAKTOWAĆ SIĘ Z PRZEDSTAWICIELEM LUB DYSTRYBUTOREM BOSTITCH.**

**PRZED PRZYSTĄPIENIEM DO PRACY Z NARZĘDZIEM NALEŻY SKORZYSTAĆ Z TABELI DANYCH TECHNICZNYCH NARZĘDZIA, KOLUMNA L, ABY ZAPOZNAĆ SIĘ Z TRYBEM PRACY.**

**Te narzędzia do montażu/wbijania łączników są profesjonalnymi narzędziami ręcznymi.**

Dzieciom NIE WOLNO dotykać narzędzia. Niedoświadczeni operatorzy mogą używać tego narzędzia tylko pod nadzorem.

- Dzieci i osoby niepełnosprawne. To urządzenie nie jest przeznaczone do nienadzorowanego użytkownika przez dzieci lub osoby niepełnosprawne.

- Wyrób nie jest przeznaczony do użytkowania przez osoby (z dziećmi włącznie) o ograniczonych możliwościach fizycznych, sensorycznych lub umysłowych, niemających doświadczenia, wiedzy lub umiejętności, jeśli nie są nadzorowane przez osobę odpowiedzialną za ich bezpieczeństwo. Dzieci nie wolno pozostawiać samych z tym wyrobem.

- Narzędzi do montażu/wbijania łączników powinni używać jedynie operatorzy mający umiejętności techniczne.

- Nie wolno modyfikować narzędzi do montażu/wbijania łączników. Modyfikacje mogą zmniejszyć skuteczność środków bezpieczeństwa i zwiększyć ryzyko operatora i/lub osób postronnych.

Narzędzia firmy BOSTITCH zostały precyzyjnie zaprojektowane i skonstruowane dla zapewnienia wydajnej pracy z dużą prędkością. Prawidłowa eksploatacja przy zachowaniu odpowiedniej ostrożności gwarantuje dużą skuteczność i niezawodność. Wszystkie narzędzia z napędem akumulatorowym lub pneumatycznym wymagają

przestrzegania zaleceń producenta. Przed przystąpieniem do pracy należy dokładnie zapoznać się z niniejszą instrukcją, a w szczególności z ostrzeżeniami i przestrogami dotyczącymi bezpieczeństwa. Należy uważnie przeczytać wskazówki dotyczące instalacji, eksploatacji i konserwacji. Instrukcję należy zachować, aby można było korzystać z niej w przyszłości. Uwaga: Szczególne zastosowania danego narzędzia mogą wymagać podjęcia dodatkowych środków bezpieczeństwa. Wszelkie pytania dotyczące narzędzia i jego użytkowania należy kierować do przedstawiciela lub dystrybutora firmy BOSTITCH.

### **UWAGA:**

Narzędzia firmy BOSTITCH zostały opracowane z myślą o zapewnieniu klientowi jak największej satysfakcji z używania tych narzędzi, które uzyskują maksymalną szybkość i wydajność pracy przy zastosowaniu precyzyjnie wykonanych łączników firmy BOSTITCH, również spełniających wymogi najwyższych norm.

**BOSTITCH nie ponosi odpowiedzialności za działanie produktu, jeśli stosuje się go w połączeniu z łącznikami lub akcesoriami niespełniającymi wymogów określonych dla oryginalnych gwoździ, zszywek i akcesoriów BOSTITCH.**

### **OGRANICZONA GWARANCJA**

Firma BOSTITCH jest pewna jakości swoich produktów i oferuje gwarancję profesjonalnym użytkownikom tego produktu. Niniejsza gwarancja ma charakter dodatkowy i w żaden sposób nie ogranicza praw umownych użytkownika profesjonalnego ani praw ustawowych użytkownika prywatnego. Niniejsza gwarancja jest ważna na terytorium krajów członkowskich Unii Europejskiej oraz europejskiej strefy wolnego handlu (EFTA).

Jeśli w ciągu 12 miesięcy od daty zakupu okaże się, że produkt firmy BOSTITCH ma wadę materiałową lub produkcyjną, firma BOSTITCH bezpłatnie wymieni wszystkie jego wadliwe części lub – według swojego uznania – wymieni bezpłatnie produkt, o ile:

- produkt nie był używany w nieodpowiedni sposób,
- produkt uległ normalnemu zużyciu; wbiąki, amortyzatory oraz pierścienie O-ring uważa się za części ulegające normalnemu zużyciu i nie są objęte gwarancją,
- nieupoważnione osoby nie podjęły prób naprawienia produktu,
- przedstawiony zostanie dowód zakupu,
- produkt zostanie zwrócony razem ze wszystkimi oryginalnymi elementami,
- produkt zostanie zwrócony na koszt klienta razem z dowodem

## zakupu do naszego regionalnego centrum naprawy lub autoryzowanego centrum napraw gwarancyjnych.

W przypadku chęci zgłoszenia reklamacji należy skontaktować się ze sprzedawcą lub w katalogu BOSTITCH znaleźć lokalizację najbliższego autoryzowanego serwisu naprawiającego produkty firmy BOSTITCH lub skontaktować się z biurem firmy BOSTITCH pod adresem podanym w niniejszej instrukcji.

### WARUNKI SPECJALNE

Narzędzie należy stosować tylko z łącznikami opisanymi w instrukcji obsługi (patrz Dane techniczne narzędzia). Z punktu widzenia bezpieczeństwa narzędzie i odpowiednie łączniki należy traktować jako pojedynczy system.

Przed każdym użyciem należy sprawdzić narzędzie w poszukiwaniu uszkodzonych, nieprawidłowo podłączonych lub zużytych części.

Naprawy mogą być przeprowadzane jedynie przez uprawnionych przedstawicieli firmy BOSTITCH lub innych specjalistów, z zachowaniem bezpieczeństwa i stosowaniem się do zaleceń odnośnie do eksploatacji i konserwacji zawartych w instrukcji użytkownika, instrukcji danego narzędzia oraz jego Danych technicznych.

**Uwaga:** Specjaliści to osoby, które dzięki profesjonalnemu szkoleniu lub doświadczeniu zyskały wystarczającą wiedzę w dziedzinie narzędzi do wbijania/montażu łączników i potrafią ocenić je pod względem bezpieczeństwa.

Stojaki lub uchwyty służące do mocowania narzędzia w sporniku, np. na stole roboczym, powinny zostać opracowane i skonstruowane przez producenta stojaków w taki sposób, aby narzędzia do wbijania/montażu łączników można było bezpiecznie mocować w celu użycia zgodnie z przeznaczeniem, unikając uszkodzenia, zniekształcenia lub przemieszczenia.

## **INSTRUKCJE BEZPIECZEŃSTWA**



Operator i inne osoby w rejonie prac powinny zawsze stosować ŚRODKI OCHRONY OCZU, zabezpieczające oczy z PRZODU i z BOKU przed odpryskami podczas ładowania łączników, użytkowania lub obsługi serwisowej narzędzia.

Wymagane jest stosowanie środków ochrony oczu przed odpryskującymi łącznikami i okruchami materiału, które

mogą doprowadzić do ciężkich urazów oczu. Pracodawca i/lub użytkownik muszą zadbać o stosowanie odpowiednich środków ochrony oczu.

Należy stosować środki ochrony oczu zgodnie z dyrektywą 89/686/EWG, klasy określonej w normie EN166 lub wyższej. Przy wyborze wszelkich środków ochrony osobistej należy jednak również uwzględniać wszystkie aspekty pracy operatorów, warunki środowiska i typy maszyn.

**PRZESTROGA:** W niektórych warunkach mogą być wymagane **DODATKOWE ŚRODKI OCHRONNE**. W miejscu pracy może na przykład występować narażenie na poziom hałasu, który może spowodować uszkodzenie słuchu. Zarówno pracodawca, jak i użytkownik powinni zapewnić odpowiednie środki ochrony słuchu i dopilnować, aby były one stosowane przez operatora i inne osoby w miejscu pracy. W niektórych środowiskach roboczych wymagane jest stosowanie środków ochrony głowy. Pracodawca i użytkownik muszą wówczas zadbać o ich stosowanie.

### ZAGROŻENIA ZWIĄZANE Z HAŁASEM

- Narażenie na wysokie poziomy hałasu bez środków ochrony może spowodować trwałą, powodującą niepełnosprawność utratę słuchu i inne problemy takie jak szumy uszne (dzwonienie, brzęczenie, gwizd lub szum w uszach).
- Niezbędna jest ocena ryzyka i wdrożenie odpowiednich metod kontroli tych zagrożeń.
- Odpowiednie metody kontroli, mające na celu ograniczenie ryzyka, mogą obejmować działania takie jak wytłumienie materiałów w celu zapobieżenia „dzwonieniu” przedmiotów obrabianych.
- Należy stosować odpowiednią ochronę słuchu.
- Aby zapobiec zbędnemu zwiększeniu poziomów hałasu, należy używać narzędzia i konserwować je jedynie zgodnie z zaleceniami podanymi w niniejszej instrukcji.

- Jeśli narzędzie ma tłumik, należy zawsze się upewnić, że jest założony i jest w dobrym stanie podczas używania narzędzia.

### ZAGROŻENIA ZWIĄZANE Z DRGANIAMI

- Wymagane są informacje potrzebne do przeprowadzenia niezbędnej oceny ryzyka

© D. P. 2018  
wdrożenia odpowiednich metod kontroli tych zagrożeń.

GB Not to be reproduced without permission. Unauthorised copies of this document do not constitute CE compliance for the products.  
FR Reproduction interdite sans permission préalable. Les copies non autorisées de ce document ne signifient en aucune manière la conformité des produits.  
DE Vervielfältigung nicht ohne Genehmigung gestattet. Unzulässige Kopien dieses Dokuments stellen keine CE-Konformität der Produkte dar.  
NL Het kopiëren van dit document is niet toegestaan zonder toestemming. Het kopiëren van dit document wil niet zeggen dat de producten voldoen aan de CE-vereisten.

• Pracując w niskich temperaturach, należy zakładać ciepłą odzież i chronić dłonie przed zimnem i wilgocią.

• W razie drętwienia, mrowienia, bólu lub zbieleńnięcia skóry palców lub dłoni należy zasięgnąć porady lekarza specjalisty w dziedzinie medycyny pracy na temat ogólnej aktywności.

• Aby zapobiec zbędnemu zwiększeniu poziomów drgań, należy używać narzędzia i konserwować je jedynie zgodnie z zaleceniami podanymi w niniejszej instrukcji.

• Narzędzie należy trzymać pewnie, ale niezbyt mocno, ponieważ mocny chwyt zwiększa ryzyko związane z drganiami.

## ⚠ INSTRUKCJE BEZPIECZEŃSTWA DOTYCZĄCE DOPROWADZENIA POWIETRZA ORAZ ZŁĄCZY



W narzędziach pneumatycznych nie wolno stosować jako źródła energii tlenu ani innych łatwopalnych gazów.

Nie wolno stosować gazu w pojemnikach ani doprowadzenia powietrza, w którym maksymalne ciśnienie powietrza w obwodzie może przekroczyć maksymalne ciśnienie określone w instrukcji obsługi danego narzędzia, gdyż narzędzie może wybuchnąć i spowodować obrażenia ciała. Jeśli ciśnienie doprowadzenia powietrza może przekraczać tę wartość, w doprowadzeniu powietrza należy zastosować zawór redukcyjny oraz zawór bezpieczeństwa po stronie niższego ciśnienia.

• Podczas podłączania doprowadzenia powietrza nie wolno ściągać spustu ani naciskać mechanizmu zabezpieczającego. Narzędzie mogłoby rozpocząć cykl roboczy i spowodować obrażenia ciała.

• Złącze w narzędziu nie może pozostawać pod ciśnieniem po odłączeniu doprowadzenia powietrza.

Jeśli zostanie zastosowany niewłaściwy element łączący, w odłączonym narzędziu może pozostać powietrze i wypchnąć łącznik nawet po odłączeniu przewodu powietrza, powodując obrażenia ciała.

• Narzędzie należy zawsze odłączyć od doprowadzenia powietrza: 1) przed regulacją; 2) podczas obsługi technicznej; 3) przy usuwaniu zacięcia; 4) kiedy narzędzie nie jest używane; 5) podczas przechodzenia do innego miejsca pracy, gdyż może dojść do

przypadkowego uruchomienia narzędzia, co może doprowadzić do obrażeń ciała.

## ⚠ INSTRUKCJE BEZPIECZEŃSTWA DOTYCZĄCE ŁADOWANIA NARZĘDZIA

Podczas ładowania narzędzia: 1) nie wolno wkładać dłoni ani żadnej innej części ciała do obszaru wystrzeliwania łącznika; 2) nie wolno kierować narzędzia na siebie ani w stronę innych osób; 3) nie wolno ściągać spustu ani naciskać mechanizmu zabezpieczającego, ponieważ może dojść do przypadkowego uruchomienia narzędzia skutkującego urazem.

**Uwaga: Instrukcje dotyczące ładowania narzędzia oraz wymiary zalecanych łączników są podane w Danych technicznych narzędzia.**

## ⚠ INSTRUKCJE BEZPIECZEŃSTWA OBSŁUGI NARZĘDZIA

• Z narzędziem należy zawsze obchodzić się ostrożnie:

1) nie wolno bawić się narzędziem; 2) nie wolno naciskać spustu, jeśli końcówka nie jest skierowana w stronę obszaru roboczego; 3) w czasie używania narzędzia inne osoby powinny znajdować się w bezpiecznej odległości, gdyż może dojść do przypadkowego uruchomienia, co może doprowadzić do obrażeń ciała.

• Operatorowi nie wolno naciskać spustu narzędzi wyposażonych w mechanizm zabezpieczający (zwany też samoczynnym wyłącznikiem bezpieczeństwa), z wyjątkiem sytuacji, gdy narzędzie jest używane do mocowania, gdyż może dojść do poważnych obrażeń ciała, jeśli mechanizm zabezpieczający przypadkowo dotknie części ciała lub rzeczy, powodując włączenie się narzędzia.

• Dłonie i inne części ciała należy trzymać z dala od obszaru wystrzeliwania łączników z narzędzia. Mechanizm zabezpieczający może odskończyć wskutek wystrzelenia łącznika i może dojść do nieplanowanego wystrzelenia drugiego łącznika, co grozi obrażeniami ciała.

• Należy często kontrolować sprawność mechanizmu zabezpieczającego. Nie wolno używać narzędzia, jeśli ramię nie działa prawidłowo, gdyż może dojść do przypadkowego wystrzelenia łącznika. Nie wolno zakłócać działania mechanizmu zabezpieczającego.

• Nie wolno wystrzeliwać łączników na inne łączniki, gdyż może to spowodować ich odbicie i doprowadzić do obrażeń ciała.

• Nie wolno mocować łączników na krawędzi łączzonego materiału, gdyż może dojść do

rozszczepienia drewna i odbicia łącznika, co grozi obrażeniami ciała.

- Nie wychylać się. Używać jedynie w bezpiecznym miejscu pracy. Cały czas utrzymywać odpowiednie oparcie stóp i równowagę.

- Trzymać z dala od osób postronnych (w razie pracy w miejscu, w którym mogą przechodzić ludzie).

Wyraźnie oznakować miejsce pracy.

- Zawsze używać drugiego uchwytu (jeśli został dostarczony).

- Nosić jedynie rękawice zapewniające wystarczające czucie i bezpieczną kontrolę spustów i wszelkich urządzeń do nastawiania.

- Podczas pracy wyrzucane mogą być odpryski obrabianego materiału i układu łączącego/podającego.

- Należy uważać z narzędziami niemającymi styku z obrabianym materiałem, gdyż w razie niezamierzonego uruchomienia mogą zranić operatora i/lub osoby postronne.

- Należy zawsze się upewnić, że narzędzie jest prawidłowo przyłożone do obrabianego materiału i nie może się ześliznąć.

- Należy utrzymywać równowagę i odpowiednie oparcie stóp.

- Należy stosować odpowiednie okulary ochronne, zalecane są także rękawice oraz odzież ochronna.

## **⚠ INSTRUKCJE BEZPIECZEŃSTWA DOTYCZĄCE KONSERWACJI NARZĘDZIA**

Podczas użytkowania narzędzi zasilanych pneumatycznie należy przestrzegać ostrzeżeń zamieszczonych w niniejszej instrukcji, w instrukcji danego narzędzia oraz na samym narzędziu, a podczas rozwiązywania problemów z narzędziami należy zachować szczególną ostrożność.

## **⚠ DOPROWADZENIE POWIETRZA I ZŁĄCZA**

Przy podłączaniu narzędzi do doprowadzenia powietrza miejsca wystrzeliwania łączników w narzędziu nie wolno kierować w stronę operatora ani innych osób w miejscu pracy. Należy ustawić wylot łączników nad testowym kawałkiem materiału o grubości pozwalającej na wbicie całego łącznika. Doprowadzenie powietrza można podłączać, gdy wylot łączników nie jest skierowany na kończyny ani ciało.

W celu zapobieżenia przypadkowemu uruchomieniu narzędzia i ewentualnym obrażeniom ciała zawsze należy odłączyć doprowadzenie powietrza:

1. Przed regulacją.

2. Podczas obsługi technicznej.

3. Podczas usuwania zacięcia.

4. Gdy narzędzie nie jest używane.

5. Podczas przechodzenia do innego miejsca pracy, gdyż może dojść do przypadkowego uruchomienia urządzenia, co może doprowadzić do obrażeń ciała.

- Sprężarki muszą mieć odpowiednie parametry, które zapewnią wystarczające ciśnienie i przepływ objętościowy odpowiedni do planowanego zastosowania. Spadek ciśnienia doprowadzanego powietrza może zmniejszyć siłę wyrzutu. Informacje dotyczące ustawienia odpowiedniego ciśnienia dla narzędzia znajdują się w Danych technicznych.

- W przemysłowych przewodach pneumatycznych powinien występować gradient ciśnienia, przy czym najwyższe ciśnienie powinno być najbliżej sprężarki.

W najniższych położonych punktach należy stosować łatwo dostępne zbiorniki kondensacyjne na wodę.

Wodę należy odprowadzać co najmniej raz dziennie (w razie potrzeby częściej). Zabrudzenia i woda w doprowadzeniu powietrza są najistotniejszymi przyczynami zużywania się narzędzi pneumatycznych.

Punkty podłączenia doprowadzenia powietrza do narzędzia powinny być wyposażone w filtr/regulator/urządzenie obsługujące zamontowane bezpośrednio w punkcie podłączenia. Filtr umożliwi uzyskanie najlepszej wydajności i minimalizuje zużycie. Filtr musi mieć przepustowość wystarczającą w danej instalacji. Filtr należy czyścić, aby zapewnić przepływ czystego sprężonego powietrza do narzędzia. Zalecenia dotyczące prawidłowej konserwacji filtra znajdują się w instrukcji producenta. Zabrudzony i zatkany filtr powoduje spadek ciśnienia, co zmniejsza sprawność narzędzia.

- Przyłącza przemysłowych przewodów pneumatycznych do narzędzia powinny być wyprowadzone od góry przewodu.

- Wartość znamionowa ciśnienia roboczego wężu pneumatycznych powinna wynosić co najmniej 10,6 bara lub 150% maksymalnego ciśnienia, które może być dostarczone przez układ pneumatyczny. Wąż doprowadzający powinien być wyposażony w łącznik umożliwiający „szybkie odłączenie” od złącza męskiego na narzędziu.

- Należy sprawdzić, czy ciśnienie doprowadzane do narzędzia nie przekracza maksymalnego dozwolonego ciśnienia roboczego oznaczonego

• jako ps max. (patrz Dane techniczne narzędzia). Na początku należy ustawić doprowadzane ciśnienie na najniższą zalecaną wartość ciśnienia roboczego (patrz Dane techniczne narzędzia).

- Należy sprawdzić, czy narzędzie działa prawidłowo, poprzez przyłożenie końcówki do kawałka odpadowego drewna i jedno- lub dwukrotne naciśnięcie spustu.

## SMAROWANIE

- Uzyskanie optymalnej wydajności wymaga częstego smarowania, jednak bez używania nadmiernej ilości środka smarnego. Olej doprowadzany przewodem pneumatycznym smaruje części wewnętrzne. Szczegółowe informacje na temat właściwego środka smarnego są podane w Danych technicznych narzędzia. Nie wolno stosować oleju smarowego z detergentami lub dodatkami, gdyż powodują one przyspieszone zużycie uszczelnień i elementów odbojowych, obniżając sprawność narzędzia i zwiększając częstotliwość konserwacji.

- Jeśli nie są stosowane żadne środki smarne do przewodu pneumatycznego, należy raz lub dwa razy dziennie dodać oleju do złącza układu pneumatycznego narzędzia. Jednorazowo należy dodawać kilka kropel (3–5). Nadmierna ilość oleju zbiera się wewnątrz narzędzia i jest widoczna podczas cyklu wydmuchu powietrza.

- Eksploatacja w niskiej temperaturze. W przypadku pracy w niskiej temperaturze, blisko temperatury zamarzania lub poniżej wilgotności w przewodzie pneumatycznym może zamarzać i uniemożliwić użycie narzędzia. Zalecamy stosowanie środka smarnego BOSTITCH Winter Formula do narzędzi pneumatycznych lub trwałego środka zapobiegającego zamarzaniu (glikol etylenowy) jako smaru do niskich temperatur.

**Przeostroga:** W celu zapobieżenia tworzeniu się na zaworach roboczych i mechanizmach narzędzia szronu lub lodu mogącego spowodować uszkodzenie narzędzia nie należy przechowywać narzędzia w niskich temperaturach.

- **Uwaga:** Niektóre dostępne w handlu płyny wysuszające do przewodów pneumatycznych są szkodliwe dla pierścieni typu O i uszczeltek – nie należy stosować takich środków do osuszania powietrza w niskich temperaturach bez sprawdzenia, czy są one odpowiednie dla narzędzia.

RO Reproducerea neautorizată este interzisă. Copiile neautorizate ale acestui document nu reprezintă conformitatea CE pentru produse.

## ⚠ UŻYTKOWANIE NARZĘDZIA

**Operator narzędzia i inne osoby w rejonie prac powinny zawsze stosować ŚRODKI OCHRONY OCZU,** zabezpieczające oczy z **PRZODU** i z **BOKU** przed odpryskami podczas ładowania łączników, użytkowania lub obsługi serwisowej narzędzia.

Wymagane jest stosowanie środków ochrony oczu przed odpryskującymi łącznikami i okrucami materiału, które mogą doprowadzić do ciężkich urazów oczu. Pracodawca i/lub użytkownik muszą zadbać o stosowanie odpowiednich środków ochrony oczu.

Oczy powinny być chronione zarówno z przodu, jak i z boku. **Uwaga:** Okulary nieposiadające osłon z boku i tarcze ochronne na twarz nie zapewniają wystarczającej ochrony.

**⚠ OSTRZEŻENIE!** W razie upuszczenia narzędzia lub podejrzenia uszkodzenia narzędzia należy wykonać kontrolę działania narzędzia zgodnie z opisem w części dotyczącej kontroli działania narzędzia.

## W CELU ZAPOBIEGANIA PRZYPADKOWYM URAZOM:

- Nie wolno ustawiać dłoni lub jakiegokolwiek innej części ciała przed wylotem łączników, gdy narzędzie jest podłączone do doprowadzenia powietrza.
- Nie wolno kierować narzędzia na inną osobę.
- Nigdy nie należy bawić się narzędziem.
- Nie wolno ściągać spustu, jeśli końcówka nie jest skierowana na obszar roboczy.
- Zawsze należy ostrożnie obchodzić się z narzędziem.
- Podczas ładowania narzędzia nie wolno ściągać spustu ani wciskać mechanizmu zabezpieczającego.

**TYPY PRACY:** Firma BOSTITCH oferuje SIEDEM typów pracy:

Typ pracy	Punkt w instrukcji obsługi narzędzia	Mechanizm zabezpieczający / samoczynny wyłącznik bezpieczeństwa
TRYB KONTAKTOWY	1	✓
TRYB PÓLSEKWENCYJNY	2	✓
TRYB SEKWENCYJNY	2A	✓
URUCHAMIANIE SPUSTEM	3	✗
TRYB KONTAKTOWY PRACY CIĄGŁEJ	4	✓
TRYB PRACY CIĄGŁEJ URUCHAMIANY SPUSTEM („AUTOMATYCZNY”)	5	✗
WYBIERANY TRYB URUCHAMIANIA	6	✓

GR Απαγορεύεται η αναπαραγωγή χωρίς προηγούμενη άδεια. Τα μη εξουσιοδοτημένα έγγραφα δεν αποτελούν προϊόντα.

**NARZĘDZIA BEZ MECHANIZMU ZABEZPIEZAJĄCEGO (ZWANEGO TEŻ „SAMOCZYNNYM WYŁĄCZNIKIEM BEZPIECZEŃSTWA”)**

– możliwe dwa rodzaje pracy:

– CE marking for produktot

**URUCHAMIANIE SPUSTEM (punkt 3 w tabeli Dane techniczne narzędzia, kolumna L(a))**

W modelu uruchamianym spustem cykl roboczy włącza się jedynie spustem. Model ten nie ma mechanizmu zabezpieczającego i można go używać tylko w sytuacjach, w których mechanizm zabezpieczający UNIEMOŻLIWIA spełnienie wymogów danego zastosowania. Narzędzie uruchamiane spustem wykonuje cykl roboczy po każdym naciśnięciu spustu.

nie stanowią deklaracji zgodności CE prezentowanych p

**MODEL DO PRACY CIĄGŁEJ URUCHAMIANY SPUSTEM, CZYLI „PRACY AUTOMATYCZNEJ” (punkt 5 w tabeli Dane techniczne narzędzia, kolumna L(a)).**

Model do pracy ciągłej uruchamiany spustem pozwala na powtarzanie cyklu przez cały czas, kiedy spust jest naciśnięty. Model ten nie ma mechanizmu zabezpieczającego i można go używać tylko w sytuacjach, w których mechanizm zabezpieczający uniemożliwia spełnienie wymogów danego zastosowania.

**NARZĘDZIA Z MECHANIZMEM ZABEZPIEZAJĄCYM (ZWANYM TEŻ SAMOCZYNNYM WYŁĄCZNIKIEM BEZPIECZEŃSTWA)**

– pięć możliwych typów:

Wszystkie narzędzia z mechanizmem zabezpieczającym są oznaczone odwróconym trójkątem równobocznym (t). Nie wolno używać tak oznakowanego narzędzia, jeśli brak jest mechanizmu zabezpieczającego lub sprawia on wrażenie uszkodzonego.

Większość narzędzi ma mechanizm zabezpieczający, który normalnie znajduje się w pozycji „wysuniętej” lub „dolnej” (punkt 1 w tabeli Dane techniczne narzędzia, kolumna L(b)). Niektóre narzędzia są wyposażone w mechanizm zabezpieczający, który normalnie znajduje się w pozycji „wciśniętej” lub „górnej” (punkt 2 w tabeli Dane techniczne narzędzia; kolumna L(b)).

Podręcznik Dane techniczne narzędzia zawiera szczegółowe instrukcje dotyczące tej funkcji.

nieautoryzowane kopie niniejszego dokumentu ntowanych produktów.



**CZARNY SPUST**

**KONTAKTOWY TRYB PRACY (CZARNY SPUST) (punkt 1 w tabeli Dane techniczne narzędzia, kolumna L(a))**

Wspólną cechą wszystkich narzędzi z kontaktowym mechanizmem uruchamiającym jest konieczność uruchomienia mechanizmu zabezpieczającego przez operatora przy trzymaniu wciśniętego spustu,

co powoduje, że łącznik jest wyrzeliwany za każdym razem, gdy narzędzie dotknie detalu roboczego. Pozwala to na szybkie wyrzeliwanie łączników w przypadku wielu prac, np. przy montażu skrzyń lub palet. Każde narzędzie pneumatyczne ulega odrzutowi przy wyrzeliwaniu łączników. Narzędzie może się odbić, zwalniając mechanizm zabezpieczający, i w sposób niezamierzony przez operatora dotknąć powierzchni detalu roboczego w momencie, gdy spust nadal jest wciśnięty (palec nadal naciska spust), co powoduje niepożądane wyrzelenie drugiego łącznika.



**⚠ OSTRZEŻENIE!** Narzędzia oznaczone tym symbolem mają funkcję uruchamiania kontaktowego, ustawione na stałe uruchomienie kontaktowe albo możliwość wyboru trybu uruchamiania.

Te narzędzia są przeznaczone do produkcji palet, mebli, domów z prefabrykatów i mebli tapicerskich. **NIE WOLNO** stosować tego narzędzia w trybie uruchamiania kontaktowego w przypadku zastosowań takich jak zamykanie opakowań kartonowych lub skrzyń ani podczas mocowania transportowych systemów zabezpieczających na naczepach i pojazdach ciężarowych. Narzędzia należy używać jedynie w bezpiecznym miejscu pracy. Należy zachować ostrożność, aby nie doszło do przypadkowego uruchomienia narzędzia podczas zmiany z jednego położenia roboczego na inne.



### SEKWENCYJNY TRYB PRACY – 2 TYPY (SZARY SPUST):

**TYP 1: PÓLSEKWENCYJNY TRYB PRACY**  
(punkt 2 w tabeli Dane techniczne narzędzia, kolumna L(a))

Półsekwencyjny tryb pracy wymaga, aby operator przed ściągnięciem spustu ustawił narzędzie naprzeciw obszaru roboczego i wciśnął mechanizm zabezpieczający. Wbicie dodatkowych łączników wymaga zwolnienia spustu i ponownego wciśnięcia, aby narzędzie rozpoczęło pracę. Narzędzie zadziała za każdym naciśnięciem spustu, gdy jest nadal ustawione naprzeciw obrabianego materiału.

**TYP 2: SEKWENCYJNY TRYB PRACY**  
(punkt 2A w tabeli Dane techniczne narzędzia, kolumna L(a))

Sekwencyjny tryb pracy działa w podobny sposób jak tryb półsekwencyjny, jednakże w celu wbicia

dodatkowych łączników należy zwolnić spust, odsunąć narzędzie od powierzchni roboczej i ponownie do niej przycisnąć przed powtórzeniem tych czynności.

Oba rodzaje trybu sekwencyjnego zwiększają dokładność wbijania łączników, na przykład podczas montażu szkieletu konstrukcji, łączenia gwoździami wbijanymi ukośnie lub montowania klatek. Tryb sekwencyjny pozwala na dokładne wycelowanie łącznika bez możliwości wbicia drugiego łącznika wskutek odrzutu, co może się zdarzyć w przypadku kontaktowego trybu pracy (opisanego poniżej). Narzędzie z sekwencyjnym mechanizmem uruchamiania zapewnia wyższy poziom bezpieczeństwa, ponieważ nie dochodzi w nim do przypadkowego wyrzelenia łącznika przy zetknięciu narzędzia z detalem lub z jakimkolwiek innym przedmiotem, gdy operator trzyma wciśnięty spust.

### CIĄGŁY TRYB KONTAKTOWY.

(Punkt 4 w tabeli Dane techniczne narzędzia, kolumna L(a))

Narzędzia kontaktowe do pracy ciągłej pozwalają na powtarzanie cykli wbijania przez cały czas, gdy uruchomiony jest spust i mechanizm zabezpieczający.

Przed użyciem lub przystąpieniem do użytkowania takiego narzędzia należy:

Przeczytać i zrozumieć ostrzeżenia zawarte w niniejszej instrukcji. Określić tryb pracy na podstawie Danych technicznych narzędzia.



**⚠ OSTRZEŻENIE!** Narzędzia oznaczone tym symbolem mają funkcję uruchamiania kontaktowego, ustawione na stałe uruchomienie kontaktowe albo możliwość wyboru trybu uruchamiania.

Te narzędzia są przeznaczone do produkcji palet, mebli, domów z prefabrykatów i mebli tapicerskich. **NIE WOLNO** stosować tego narzędzia w trybie uruchamiania kontaktowego w przypadku zastosowań takich jak zamykanie opakowań kartonowych lub skrzyń ani podczas mocowania transportowych systemów zabezpieczających na naczepach i pojazdach ciężarowych. Narzędzia należy używać jedynie w bezpiecznym miejscu pracy. Należy zachować ostrożność, aby nie doszło do przypadkowego uruchomienia narzędzia podczas zmiany z jednego położenia roboczego na inne.





## WYBÓR TRYBU URUCHAMIANIA (punkt 6 w tabeli Dane techniczne narzędzia, kolumna L(a))

Niektóre narzędzia są wyposażone w wybór trybu uruchamiania, który pozwala użytkownikowi na przełączanie trybu sekwencyjnego i trybu kontaktowego.

Wybrany typ trybu wskazuje pozycja przełącznika zmiany trybu. Gdy wskaźnik jest ustawiony w dół na ikonę kilku gwóźdźi widoczną na ramie narzędzia, wybrany jest tryb kontaktowy. Gdy wskaźnik jest ustawiony na ikonę pojedynczego gwóźdźia widoczną na ramie narzędzia, wybrany jest tryb sekwencyjny. Przed wybraniemżądanego trybu należy przeczytać i zapamiętać powyższe części, zatytułowane Tryb kontaktowy oraz Tryb sekwencyjny.

Podręcznik Dane techniczne narzędzia zawiera szczegółowe instrukcje dotyczące korzystania z tej funkcji.



**⚠ OSTRZEŻENIE!** Narzędzia oznaczone tym symbolem mają funkcję uruchamiania kontaktowego, ustawione na stałe uruchomienie kontaktowe albo możliwość wyboru trybu uruchamiania.

Te narzędzia są przeznaczone do produkcji palet, mebli, domów z prefabrykatów i mebli tapicerskich. **NIE WOLNO** stosować tego narzędzia w trybie uruchamiania kontaktowego w przypadku zastosowań takich jak zamykanie opakowań kartonowych lub skrzyń ani podczas mocowania transportowych systemów zabezpieczających na naczepach i pojazdach ciężarowych. Narzędzia należy używać jedynie w bezpiecznym miejscu pracy. Należy zachować ostrożność, aby nie doszło do przypadkowego uruchomienia narzędzia podczas zmiany z jednego położenia roboczego na inne.

## KONTROLA DZIAŁANIA NARZĘDZIA

**PRZESTROGA:** Przed przystąpieniem do kontroli działania narzędzia należy wyjąć z niego wszystkie łączniki.

**⚠ OSTRZEŻENIE!** W razie upuszczenia narzędzia lub podejrzenia uszkodzenia narzędzia należy wykonać kontrolę działania narzędzia zgodnie z opisem w części dotyczącej kontroli działania narzędzia.

## NARZĘDZIE URUCHAMIANE SPUSTEM:

- A) Ująć mocno narzędzie za rękojeść, zwracając uwagę na to, by nie uchwycić spustu palcem.
- B) Skierować końcówkę na powierzchnię roboczą.
- C) Nacisnąć spust, aby wystrzelić łącznik. Zwolnić spust, aby zakończyć cykl.

**PRZESTROGA:** Narzędzie będzie wykonywać cykl roboczy po każdym naciśnięciu spustu!

## NARZĘDZIE URUCHAMIANE SPUSTEM, PRACUJĄCE W TRYBIE CIĄGŁYM („AUTOMATYCZNYM”)

- A) Ująć mocno narzędzie za rękojeść, zwracając uwagę na to, by nie uchwycić spustu palcem.
- B) Skierować końcówkę na powierzchnię roboczą.
- C) Ściągnąć spust i przesunąć narzędzie w bok lub do tyłu/przodu. Narzędzie będzie wykonywać cykle robocze do chwili zwolnienia spustu.

**PRZESTROGA:** Narzędzie należy mocno trzymać naprzeciw powierzchni roboczej i podczas pracy nie przesuwając go w pobliżu granicy tego obszaru. Łącznik może odprysnąć i spowodować obrażenia ciała.

## TRYB KONTAKTOWY

- A) Nie dotykając spustu, docisnąć mechanizm zabezpieczający do powierzchni roboczej. **NARZĘDZIE NIE MOŻE WYKONAĆ CYKLU ROBOCZEGO.**

- B) Nie dotykając narzędziem powierzchni roboczej, nacisnąć spust, nie kierując narzędzia na siebie ani w stronę innych osób. **NARZĘDZIE NIE MOŻE WYKONAĆ CYKLU ROBOCZEGO.**

- C) Nacisnąć spust, nie dotykając narzędziem powierzchni roboczej. Przcisnąć mechanizm zabezpieczający do powierzchni roboczej. **NARZĘDZIE MUSI WYKONAĆ CYKL ROBOCZY.**

- D) Nie dotykając spustu, docisnąć mechanizm zabezpieczający do powierzchni roboczej i nacisnąć spust. **NARZĘDZIE MUSI WYKONAĆ CYKL ROBOCZY.**

## PÓŁSEKWENCYJNY TRYB PRACY

A) Nie dotykając spustu, docisnąć mechanizm zabezpieczający do powierzchni roboczej.

**NARZĘDZIE NIE MOŻE WYKONAĆ CYKLU ROBOCZEGO.**

B) Nie dotykając narzędziem powierzchni roboczej, nacisnąć spust, nie kierując narzędzia na siebie ani w stronę innych osób.

**NARZĘDZIE NIE MOŻE WYKONAĆ CYKLU ROBOCZEGO.**

C) Nacisnąć spust, nie dotykając narzędziem powierzchni roboczej. Docisnąć mechanizm zabezpieczający do powierzchni roboczej.

**NARZĘDZIE NIE MOŻE WYKONAĆ CYKLU ROBOCZEGO.**

D) Nie dotykając spustu, docisnąć mechanizm zabezpieczający do powierzchni roboczej, a następnie nacisnąć spust.

**NARZĘDZIE MUSI WYKONAĆ CYKL ROBOCZY.**

E) Dociskając mechanizm zabezpieczający do powierzchni roboczej, nacisnąć ponownie spust.

**NARZĘDZIE MUSI WYKONAĆ CYKL ROBOCZY.**

conformità CE per i relativi prodotti.

## SEKWENCYJNY TRYB PRACY

A) Nie dotykając spustu, docisnąć mechanizm zabezpieczający do powierzchni roboczej.

**NARZĘDZIE NIE MOŻE WYKONAĆ CYKLU ROBOCZEGO.**

B) Nie dotykając narzędziem powierzchni roboczej, nacisnąć spust, nie kierując narzędzia na siebie ani w stronę innych osób.

**NARZĘDZIE NIE MOŻE WYKONAĆ CYKLU ROBOCZEGO.**

C) Nacisnąć spust, nie dotykając narzędziem powierzchni roboczej. Docisnąć mechanizm zabezpieczający do powierzchni roboczej.

**NARZĘDZIE NIE MOŻE WYKONAĆ CYKLU ROBOCZEGO.**

D) Nie dotykając spustu, docisnąć mechanizm zabezpieczający do powierzchni roboczej, a następnie nacisnąć spust.

**NARZĘDZIE MUSI WYKONAĆ CYKL ROBOCZY.**

E) Dociskając mechanizm zabezpieczający do powierzchni roboczej, nacisnąć ponownie spust.

**NARZĘDZIE NIE MOŻE WYKONAĆ CYKLU ROBOCZEGO.**

conformitatea CE pentru produse.

## TRYB KONTAKTOWY PRACY CIĄGŁEJ:

A) Nie dotykając spustu, docisnąć mechanizm zabezpieczający do powierzchni roboczej.

**NARZĘDZIE NIE MOŻE WYKONAĆ CYKLU ROBOCZEGO.**

B) Nie dotykając narzędziem powierzchni roboczej, nacisnąć spust, nie kierując narzędzia na siebie ani w stronę innych osób.

**NARZĘDZIE NIE MOŻE WYKONAĆ CYKLU ROBOCZEGO.**

C) Nacisnąć spust, nie dotykając narzędziem powierzchni roboczej. Docisnąć mechanizm zabezpieczający do powierzchni roboczej i przesunąć narzędzie w bok lub do tyłu/przodu.

**NARZĘDZIE MUSI WYKONYWAĆ CYKL ROBOCZY DO CHWILI ZWOLNIENIA SPUSTU LUB ODSUNIĘCIA NARZĘDZIA OD POWIERZCHNI ROBOCZEJ.**

D) Nie dotykając spustu, docisnąć mechanizm zabezpieczający do powierzchni roboczej i nacisnąć spust.

**NARZĘDZIE MUSI WYKONYWAĆ CYKL ROBOCZY DO CHWILI ZWOLNIENIA SPUSTU LUB ODSUNIĘCIA NARZĘDZIA OD POWIERZCHNI ROBOCZEJ.**

## UŻYCIE NARZĘDZIA

Po sprawdzeniu prawidłowości działania narzędzia ponownie docisnąć końcówkę do detalu i ściągnąć spust. Następnie należy sprawdzić, czy łącznik został wbitý w odpowiedni sposób.

- Jeśli łącznik nie został wbitý wystarczająco głęboko, należy zwiększać ciśnienie robocze o 0,5 bara (5–6 psi) naraz, sprawdzając wynik po każdej zmianie ciśnienia. Nie przekraczać maksymalnego dozwolonego ciśnienia roboczego (patrz Dane techniczne narzędzia).
- Jeśli łącznik jest wbitý zbyt głęboko, należy zmniejszać ciśnienie robocze o 0,5 bara (5–6 psi) naraz, sprawdzając wynik po każdej zmianie ciśnienia. Nie należy stosować ciśnienia niższego od zalecanego minimalnego ciśnienia roboczego (patrz Dane techniczne narzędzia).

Zawsze należy starać się zastosować najniższe możliwe ciśnienie powietrza. Zmniejsza to poziom emitowanego hałasu i drgań oraz przedłuża okres eksploatacji elementów wewnętrznych, np. części odbojowych.

## **OBOK INNYCH OSTRZEŻEŃ ZAWARTYCH W NINIEJSZEJ INSTRUKCJI NALEŻY PRZESTRZEGAĆ NASTĘPUJĄCYCH ZALECEŃ BEZPIECZEŃSTWA:**

• Pneumatyczne narzędzie do mocowania łączników firmy BOSTITCH należy traktować jak narzędzie pracy. To nie jest zabawka. Zakaz bawienia się narzędziem.

• Narzędzie pneumatyczne BOSTITCH powinno być użytkowane wyłącznie zgodnie z przeznaczeniem.

• Nie wolno używać narzędzia w sposób, który mógłby spowodować wystrzelenie łącznika w stronę użytkownika lub innych osób w miejscu prac.

• Nie wolno używać narzędzia jako młotka.

• Zawsze należy nosić narzędzie, trzymając je za rękkość. Nie wolno przenosić go, trzymając za wąż doprowadzający powietrze. Nie wolno przenosić narzędzia z wciśniętym spustem.

• Nie wolno zmieniać ani modyfikować oryginalnego projektu lub funkcji narzędzia bez pisemnej zgody firmy BOSTITCH.

• Zawsze należy pamiętać o tym, że niewłaściwe obchodzenie się z narzędziem może spowodować zranienie użytkownika lub innych osób.

• Nie wolno zaciskać ani zaklejać taśmą spustu lub mechanizmu zabezpieczającego w pozycji czynnej.

• Jeśli do narzędzia podłączony jest wąż doprowadzający powietrze, nie wolno zostawiać narzędzia bez dozoru.

• Nie wolno używać narzędzia, które nie jest opatrzone czytelną ETYKIETĄ OSTRZEGAWCZĄ.

• Nie wolno używać narzędzia, w którym występuje przeciek powietrza, lub które nie działa prawidłowo. Jeśli problemy z działaniem narzędzia nie ustępują, należy powiadomić najbliższego przedstawiciela firmy BOSTITCH.

• W trakcie pracy należy trzymać narzędzie w taki sposób, aby nie mogło dojść do obrażeń głowy lub innych części ciała w sytuacji, gdyby wystąpił silniejszy odrzut narzędzia wskutek spadku ciśnienia w układzie zasilania sprężonym powietrzem lub wystąpienia na obszarze roboczym miejsc o zwiększonej twardości.

• Nie wolno pracować blisko rogów lub krawędzi obszaru roboczego. Łącznik może się ześlizgnąć z obrabianego materiału i spowodować obrażenia ciała.

• Podczas transportowania narzędzia należy je najpierw odłączyć od doprowadzenia powietrza.

• Należy sprawdzić, czy mechanizm zabezpieczający (jeśli jest) oraz spust działają prawidłowo.

• Nie wolno wymontowywać ani blokować żadnej części narzędzia, a w szczególności mechanizmu zabezpieczającego.

• Należy unikać osłabienia konstrukcji narzędzia poprzez wybijanie otworów lub grawerowanie.



• Nie wolno używać węży ani złączek uszkodzonych, postrzępionych lub o niepewnym stanie technicznym.



• Nie przenosić narzędzia, trzymając za wąż.

• Używając narzędzi pneumatycznych, należy zachować ostrożność, ponieważ narzędzie może się oziębic, co wpływa na chwyt i kontrolę.

### **Zagrożenia wskutek powtarzających ruchów**

• W razie używania narzędzia przez długie okresy operator może mieć nieprzyjemne odczucia w dłoniach, przedramionach, ramionach, szyi lub innych częściach ciała.

• Obowiązują następujące zasady:

• Podczas używania narzędzia operator musi przyjmować odpowiednią, ergonomiczną postawę. Należy utrzymywać bezpieczne oparcie stóp i unikać pozycji niewygodnych lub powodujących utratę równowagi.

• Jeśli operator ma objawy takie jak trwały lub nawracający dyskomfort, ból, pulsowanie, pobolewanie, mrowienie, drętwienie, pieczenie lub sztywność, nie wolno ignorować tych znaków ostrzegawczych. Operator musi zasięgnąć porady lekarskiej dotyczącej ogólnej aktywności.

### **Zagrożenia związane z miejscem pracy**

• Poślizgnięcie, potknięcie i upadek stanowią główne przyczyny urazów w miejscu pracy. Należy uważać na powierzchnie śliskie wskutek użycia narzędzia oraz strzec się potknięcia o węże doprowadzające powietrze.

• W nieznanym otoczeniu postępować ze zwiększoną ostrożnością. Mogą znajdować się w nich ukryte zagrożenia, takie jak linie elektryczne lub inne.

• To narzędzie nie jest przeznaczone do użytku w atmosferze potencjalnie wybuchowej i nie jest

odizolowane na wypadek styczności z energią elektryczną.

- Należy się upewnić, że wskutek użycia narzędzia nie dojdzie do uszkodzenia kabli elektrycznych, rur gazowych ani innych obiektów mogących stwarzać zagrożenie.

### Pozostałe zagrożenia

Poniższe zagrożenia są nieodłącznie związane z używaniem tych urządzeń.

- Urazy spowodowane nieprawidłowym postępowaniem z narzędziami.
- Utrata kontroli wskutek nieprawidłowego trzymania narzędzia.
- Napięcie mięśni ramion i dłoni, zwłaszcza w razie unoszenia narzędzia powyżej głowy. Podczas pracy należy robić sobie przerwy w regularnych odstępach czasu.

Mimo przestrzegania stosownych przepisów bezpieczeństwa i stosowania urządzeń bezpieczeństwa nie da się uniknąć niektórych pozostałych zagrożeń.

Są to:

- Uszkodzenie słuchu.
- Ryzyko urazu cieleśnego wskutek odprysków.
- Ryzyko poparzenia wskutek rozgrzania osprzętu podczas pracy.
- Ryzyko urazu cieleśnego wskutek długotrwałego używania.
- Utrata kontroli wskutek odrzutu.
- Ryzyko urazu powodowane przez punkty ściśnięcia, ostre krawędzie i nieprawidłowe postępowanie z obrabianym materiałem.
- Ryzyko urazu powodowane przez ostre krawędzie podczas zmiany gwoździ lub wkładania szpionowych gwoździ.

### EMISJA HAŁASU (patrz Dane techniczne narzędzia)

Wartości hałasu charakterystyczne dla narzędzia

zostały określone zgodnie z normą EN 12549 – „Neoprávnéné kópie tohto dokumentu nie sú v súlade s CE pre dané „Akustyka – Procedura badania hałasu narzędzi z napędem do montażu łączników – Metoda techniczna”.

Wartości te są charakterystyczne dla danego narzędzia i nie określają powstawania hałasu w miejscu pracy.

Powstawanie hałasu w miejscu użycia narzędzia zależy m.in. od środowiska pracy, materiału roboczego, skuteczności narzędzia wobec materiału czy liczby powtarzanych operacji.

W zależności od warunków miejsca pracy i formy materiału roboczego można zastosować indywidualne metody wytlumienia hałasu, takie jak umieszczenie obrabianego materiału na wspornikach pochłaniających dźwięk, zapobieganie drganiom materiału poprzez spinanie lub przykrywanie, ustawianie minimalnej wartości ciśnienia wymaganego dla danej pracy itp.

### INFORMACJE NA TEMAT DRGAŃ (patrz Dane techniczne narzędzia)

Wartość drgań charakterystyczna dla narzędzia jest określana zgodnie z normą ISO/WD 8662-11 „Pomiar drgań narzędzi ręcznych – część 11 Narzędzia z napędem do montażu łączników”.

Wartość ta jest charakterystyczna dla danego narzędzia i nie określa wpływu na układ dłoń-ramię podczas pracy. Wpływ narzędzia na układ dłoń-ramię podczas pracy zależy m.in. od siły chwytu, siły kontaktu, kierunku pracy, parametrów źródła sprężonego powietrza, obrabianego materiału, skuteczności narzędzia wobec materiału itp.

GB Not to be reproduced without permission. Unauthorized copies of this document do not constitute CE compliance for the products.

FR Reproduction interdite sans permission préalable. Les copies non autorisées de ce document ne signifient en rien que les produits soient conformes aux normes CE.

DE Vervielfältigung nicht ohne Genehmigung gestattet. Unzulässige Kopien dieses Dokuments erfüllen nicht die CE-Richtlinien für Produkte.

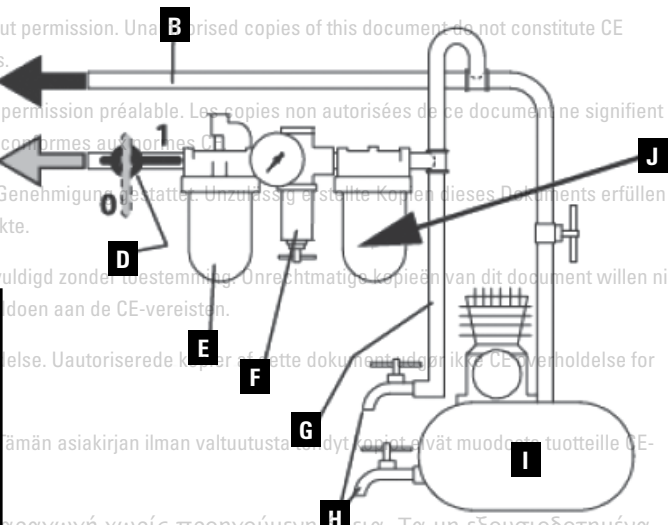
NL Mag niet worden vernenigvuldigd zonder toestemming. Unrechtmatige kopieën van dit document willen niet zeggen dat de producten voldoen aan de CE-vereisten.

DK Må ikke gengives uden tilladelse. Uautoriserede kopier af dette dokument udgør ikke CE-overholdelse for produkterne.

FI Ei saa julkentää ilman lupaa. Tämän asiakirjan ilman valtuutusta tehty kappale ei vält muodonmuutoksille CE-yhtenäisyyden takia.

GR Η παρούσα εγγραφή είναι απλά γραφή χωρίς προηγούμενη έγκριση. Τα μη εξουσιοδοτημένα αντίγραφα του παρόντος εγγράφου δεν αποτελούν συμμόρφωση CE για τα προϊόντα.

- A) Do układu pneumatycznego
- B) Przewody główne (3 × rozmiar wlotu powietrza do narzędzia)
- C) Do narzędzia pneumatycznego
- D) Zasuwny zawór bezpieczeństwa
- E) Smarownica
- F) Regulator
- G) Przewód odgałęźny (2 × rozmiar wlotu powietrza do narzędzia)
- H) Zawór upustowy
- I) Sprężarka
- J) Filtr
- K) Złączka wysokoprzeptywowa 1/4 NPT
- L) Wąż dostarczający powietrze o min. średnicy wewnętrznej 3/8" (10 mm)



## ODDANIE NARZĘDZIA DO EKSPLOATACJI

Między sprężarką powietrza a smarownicą przewodu powietrznego należy umieścić filtr (J), aby zapewnić doprowadzanie czystego powietrza do narzędzia. Woda i brud mogą uszkadzać narzędzia pneumatyczne (patrz schemat powyżej).

## ROZWIĄZYWANIE PROBLEMÓW I KONSERWACJA

Naprawy mogą być przeprowadzane jedynie przez uprawnionych przedstawicieli firmy BOSTITCH lub innych specjalistów, z zachowaniem bezpieczeństwa i stosowaniem się do zaleceń odnośnie do eksploatacji i konserwacji zawartych w instrukcji użytkowania, instrukcji danego narzędzia oraz jego Danych technicznych.

- Przed przystąpieniem do konserwacji lub naprawy narzędzia należy odłączyć je od doprowadzenia

powietrza i całkowicie opróżnić magazynek. Należy zwracać uwagę na ostrzeżenia zawarte w niniejszej instrukcji, w Danych technicznych narzędzia oraz na samym narzędziu. Należy zachować szczególną ostrożność podczas rozwiązywania problemów z narzędziem.

- Należy stosować jedynie oryginalne części zamienné firmy BOSTITCH. Nie wolno stosować części zmodyfikowanych ani części o parametrach odbiegających od części oryginalnych.
- Podczas konserwacji urządzenia należy zwrócić uwagę, aby wewnętrzne elementy były czyste i nasmarowane. Do smarowania wszystkich pierścieni uszczelniających należy stosować smar „O”-Lube lub równoważny. Przed montażem należy polewać tym smarem każdy pierścień uszczelniający, nakładając niewielką ilość oleju na wszystkie części ruchome i przeguby. Po zmontowaniu narzędzia, przed przystąpieniem do jego testowania, należy dodać przez przewód powietrzny kilka kropel smaru BOSTITCH Air Tool Lubricant.

• Dalsze instrukcje dotyczące konserwacji danego narzędzia są podane w Danych technicznych narzędzia.

• Jeśli nie można rozwiązać problemu na podstawie przedstawionych poniżej wskazówek, należy skontaktować się z najbliższym przedstawicielem lub dystrybutorem firmy BOSTITCH.

PROBLEM	PRZYCZYNA	POSTĘPOWANIE NAPRAWCZE	
Niewykonywanie cyklu roboczego	Zbyt mało sprężonego powietrza	Sprawdzić system dostawy sprężonego powietrza	
NL Mag niet worden vermenigvuldigd zonder toestemming. Unrechenmatige kopieën van het document willen niet zeggen dat de producten voldoen aan de CE-voorschriften.	Narzędzie suche, brak smarowania	Użyć środka smarnego BOSTITCH Air Tool Lubricant	
DK Må ikke gengives uden tilladelse. Uautoriserede kopier af dette dokument udgør ikke CE-overholdelse for produkterne.	Zużyte pierścienie uszczelniające zaworu tłoczącego (jeśli występuje)	Wymienić pierścienie	
FI Ei saa jäljentää ilman lupaa. Tämän asiakirjan ylläkirjallista tehtyä kopiointia ei pidetä CE-vaatimusten mukaisuuksena.	Złamana sprężyna pokrywcy cylindra	Wymienić sprężynę pokrywcy cylindra	
FI Ei saa jäljentää ilman lupaa. Tämän asiakirjan ylläkirjallista tehtyä kopiointia ei pidetä CE-vaatimusten mukaisuuksena.	Zawór tłoczący (jeśli jest zamontowany) zablokowany w pokrywce cylindra	Zdemontować/sprawdzić/nasmarować	
GR Βραχυκύκλιση ή αναστολή λειτουργίας του εργαλείου μπορεί να οφείλεται σε ελαττωματικό σύστημα παροχής αέρα.	Zbyt niskie ciśnienie powietrza	Sprawdzić system dostawy sprężonego powietrza	
IT Vietata la riproduzione senza permesso. Le copie non autorizzate di questo documento non garantiscono la conformità CE per i relativi prodotti.	Suuche narzędzie, brak smarowania	Użyć środka smarnego BOSTITCH Air Tool Lubricant	
NO Skal ikke reproduseres uten tillatelse. Uautoriserte kopier av dette dokumentet utgjør ikke CE-overholdelse for produktet.	Złamana sprężyna pokrywcy cylindra	Wymienić sprężynę pokrywcy cylindra	
PT Reprodução proibida sem autorização. As cópias não autorizadas deste documento não supõem a conformidade com a CE para os produtos.	Pierścienie uszczelniające / uszczelnienia przecięte lub pęknięte	Wymienić pierścienie uszczelniające / uszczelnienia	
PT Reprodução proibida sem autorização. As cópias não autorizadas deste documento não supõem a conformidade com a CE para os produtos.	Zablokowany wydmuch	Sprawdzić element odbojowy, sprężynę zaworu tłoczącego, tłumik	
ES Prohíbe la reproducción sin permiso. Las copias no autorizadas de este documento no suponen la conformidad con las normas CE de los productos.	Zespół spustu jest zużyty / występują nieszczelności	Wymienić zespół spustu	
SE Prohíbe la reproducción sin permiso. Las copias no autorizadas de este documento no suponen la conformidad con las normas CE de los productos.	Tuleja cylindra nie jest osadzona właściwie na dolnym elemencie odbojowym	Rozebrać i usunąć wadę	
PL Niniejszy dokument nie może być kopiowany bez pozwolenia. Nieautoryzowane kopie niniejszego dokumentu nie gwarantują zgodności z wymaganiami CE dla produktów.	Suchy zawór tłoczny	Rozebrać/nasmarować	
PL Niniejszy dokument nie może być kopiowany bez pozwolenia. Nieautoryzowane kopie niniejszego dokumentu nie gwarantują zgodności z wymaganiami CE dla produktów.	Z obudowy zaworu spustu uchodzi powietrze.	Okrągły pierścień uszczelniający przecięty lub pęknięty	Wymienić pierścień uszczelniający
CZ Z korpusu zaworu spustu uchodzi powietrze.	Pierścienie uszczelniające / uszczelnienia przecięte lub pęknięte	Wymienić pierścienie uszczelniające / uszczelnienia	
SK Z ramiy/końcówki uchodzi powietrze.	Pierścień uszczelniający lub szczeliwo jest przecięte lub pęknięte	Wymienić pierścień uszczelniający lub szczeliwo	
SK Z ramiy/końcówki uchodzi powietrze.	Pęknięty/zużyty element odbojowy	Wymienić element odbojowy	
HU A dokumentum engedély nélkül nem sokszorosítható. Az engedély nélkül készített dokumentum nem felel meg a CE előírásoknak.	Uszkodzone szczeliwo lub uszczelnienie	Wymienić szczeliwo lub uszczelnienie	
RO Reproducerea neautorizată este strict interzisă. Copiile neautorizate ale acestui document nu reprezintă conformitatea CE pentru produse.	Pęknięty/zużyty element odbojowy zaworu tłoczącego	Wymienić element odbojowy	

PROBLEM	PRZYCZYNA	POSTĘPOWANIE NAPRAWCZE
GB Not to be reproduced without permission for the products.	Poluzowane śruby pokryw	Dokręcić i sprawdzić ponownie
Gubienie łączników; nierównomierne podawanie	Zużyty element odbojowy	Wymienić element odbojowy
rien que les produits soient conformes à la réglementation CE.	Zbyt mała ilość powietrza / niewystarczający przepływ powietrza przez złącze do szybkiego odłączania od źródła sprężonego powietrza i złączki służące do odłączania	Wymienić złączki do szybkiego odłączania
DE Vervielfältigung nicht ohne Genehmigung der Hersteller. Die Kopien dieses Dokuments erfüllen nicht die CE-Richtlinien für Produkte.	Zużyty pierścień uszczelniający tłoka (jeśli jest zamontowany)	Wymienić pierścień uszczelniający, sprawdzić człon napędzający
NL Mag niet worden vermenigvuldigd zonder toestemming van de fabrikant. Het kopiëren van dit document wijkt niet zeggend dat de producten voldoen aan de CE-voorschriften.	Suuche narzędzie, brak smarowania	Użyć środka smarnego BOSTITCH Air Tool Lubricant
DK Må ikke gengives uden tilladelse fra producenten. Kopier af dette dokument afvikler ikke produktet.	Uszkodzona śruba popychacza	Wymienić sprężynę
EI Ei saa jäljentää ilman lupaa. Tämän asiakirjan ilman valtuutusta tehtyt kopiot eivät muodosta tuotolle CE-yhdenmukaisuutta.	Niskie ciśnienie powietrza	Sprawdzić doprowadzenie sprężonego powietrza do narzędzia
GR Απαγορεύεται η αναπαραγωγή χωρίς άδεια. Τα μη εξουσιοδοτημένα αντίγραφα του παρόντος εγγράφου δεν αποτελούν συμμόρφωση CE για τα προϊόντα.	Poluzowane śruby magazynka / końcówki	Dokręcić wszystkie śruby
IT Vietata la riproduzione senza permesso. Le copie non autorizzate di questo documento non garantiscono la conformità CE per i relativi prodotti.	Łączniki zbyt krótkie dla narzędzia	Używać tylko zalecanych łączników
NO Skal ikke reproduseres uten tillatelse fra produsentene. Kopier av dette dokumentet oppfyller ikke produktet.	Zgięte łączniki	Zaprzestać używania tych łączników
NO Skal ikke reproduseres uten tillatelse fra produsentene. Kopier av dette dokumentet oppfyller ikke produktet.	Łączniki o niewłaściwym rozmiarze	Używać tylko zalecanych łączników
PT Reprodução proibida sem autorização dos fabricantes. As cópias não autorizadas deste documento não estão em conformidade com a CE para os produtos.	Nieszczelne szczeliwo pokryw głowicy	Dokręcić śruby / wymienić szczeliwo
ES Prohibida la reproducción sin permiso. Las copias no autorizadas de este documento no suponen la conformidad con las normas CE de los productos.	Pierścień uszczelniający spustu przecięty/zużyty	Wymienić pierścień uszczelniający
SE Prohibida la reproducción sin permiso. Las copias no autorizadas de este documento no suponen la conformidad con las normas CE de los productos.	Złamany/popekany bijak	Wymienić bijak (sprawdzić pierścień uszczelniający tłoka)
PL Niniejszy dokument nie może być kopiowany bez pozwolenia. Nieautoryzowane kopie niniejszego dokumentu nie stanowią deklaracji zgodności z CE prezentowanych produktów.	Suchy/zabrudzony magazynek	Oczyszczyć/nasmarować przy użyciu BOSTITCH Air Tool Lubricant
PL Zablockowane łączniki w narzędziu	Zużyty magazynek	Wymienić magazynek
CZ Niniejszy dokument nie może być kopiowany bez zezwolenia. Nieautoryzowane kopie niniejszego dokumentu nie stanowią deklaracji zgodności z CE prezentowanych produktów.	Zużyty kanał członu napędzającego	Wymienić końcówkę / sprawdzić drzwiczki
SK Rozmnožovanie bez povolenia je zakázané. Neoprávnené kopie tohto dokumentu nie sú v súlade s CE pre dané výrobky.	Łączniki o niewłaściwym rozmiarze	Używać tylko zalecanych łączników
HU A dokumentum engedély nélkül nem sokszorozható. Az engedély nélkül készült másolatok nem felelnek meg a CE előírásoknak.	Zgięte łączniki	Zaprzestać używania tych łączników
RO Reproducerea neautorizată este interzisă. Copiile neautorizate ale acestui document nu reprezintă conformitatea CE pentru produse.	Poluzowane śruby magazynka / końcówki	Dokręcić wszystkie śruby
HU A dokumentum engedély nélkül nem sokszorozható. Az engedély nélkül készült másolatok nem felelnek meg a CE előírásoknak.	Zlamany/popekany człon napędzający	Wymienić człon napędzający (sprawdzić pierścień uszczelniający tłoka)

## ▲ PŘÍRUČKA O BEZPEČNOSTI A OBSLUZE



PŘED ZAHÁJENÍM PRÁCE S TÍMTO NÁRADÍM SI MUSÍ VŠECHNY OBSLUHUJÍCÍ OSOBY RÁDNĚ PROSTUDOVAT TUTO PŘÍRUČKU A TECHNICKÁ DATA O NÁRADÍ. CE,

TAK, ABY POCHOPILY A DODRŽOVALY BEZPEČNOSTNÍ UPOZORNĚNÍ A POKYNY. TUTO PŘÍRUČKU UCHOVÁVEJTE SPOLEČNĚ S NÁRADÍM TAK, ABY VŽDY BYLA K DISPOZICI K DALŠÍMU NAHLÉDNUTÍ. V PŘÍPADĚ DOTAZŮ SE SPOJTE S MÍSTNÍM ZÁSTUPCEM NEBO DISTRIBUTOREM FIRMY BOSTITCH.

PŘED ZAHÁJENÍM PRÁCE S TÍMTO NÁRADÍM SI PROSTUDUJTE TABULKU ÚDAJŮ O NÁRADÍ A SLOUPEC L TABULKY S TECHNICKÝMI ÚDAJI A POZNEJTE SYSTÉM ČINNOSTI NÁRADÍ.

**Toto nářadí na přibíjení spon/hřebíků je určeno k profesionálnímu použití.**

ZABRAŇTE kontaktu dětí s nářadím. Pokud nářadí používá nezkušená osoba, je nutný dozor.

• Malé děti a osoby s postižením. Nářadí není určeno k tomu, aby je požívaly malé děti nebo osoby s postižením bez dozoru.

• Tento výrobek není určen k použití osobami (včetně dětí) s omezenými fyzickými, smyslovými nebo duševními schopnostmi, smyslovými nebo duševními poruchami, nedostatečnými zkušenostmi, znalostmi nebo dovednostmi, pokud nejsou pod dohledem osoby zodpovídající za jejich bezpečnost. Děti by neměly být ponechány s tímto výrobkem bez dozoru.

• Nářadí na přibíjení spon/hřebíků by měla používat pouze technicky zdatná obsluha.

• Neprovádějte úpravy nářadí na přibíjení spon/hřebíků. Úpravy mohou snížit účinnost bezpečnostních opatření a zvýšit riziko pro obsluhu nebo osoby v okolí.

Nářadí BOSTITCH je precizně vyrobeno a navrženo pro rychlé sbíjení ve vysokém zatížení. V případě správného a pečlivého použití nabídne efektivitu a spolehlivost. Dosažení nejlepších výsledků je možné – tak jako u každého poháněného nářadí – pouze tehdy, pokud jsou respektovány pokyny výrobce. Před použitím tohoto nářadí si prosím prostudujte pečlivě tuto příručku a ujistěte se, že jste pochopili veškerá bezpečnostní upozornění a varování. Pečlivě si přečtete pokyny týkající se instalace, provozu a údržby a příručku uschovejte k případnému dalšímu nahlédnutí.

Poznámka: Je možné, že vzhledem ke konkrétnímu

způsobu použití nářadí bude nutné uplatnit další bezpečnostní opatření. Pokud máte jakékoli dotazy týkající se nářadí a jeho použití, spojte se s místním zástupcem nebo distributorem firmy BOSTITCH.

▲ **POZNÁMKA:** Les de ce document ne signifient en

Nářadí firmy BOSTITCH je navrženo tak, aby bylo schopné uspokojit nejvyšší nároky zákazníka, a je konstruováno způsobem, který umožňuje dosáhnout maximálního výkonu s použitím spon/hřebíků BOSTITCH, jež splňuje náročné technické podmínky. Firma BOSTITCH nepřebírá zodpovědnost za funkci zařízení, pokud je některé naše nářadí používáno se spojovacím materiálem nebo příslušenstvím, jež nesplňují specifické požadavky stanovené pro originální hřebíky, spony a příslušenství značky BOSTITCH.

### OMEZENÍ ZÁRUKY

Společnost BOSTITCH je přesvědčena o kvalitě svých výrobků a nabízí odborným uživatelům výrobku záruku. Toto záruční prohlášení se poskytuje navíc k vašim smluvním právům odborného uživatele nebo k vašim zákonným právům soukromého amatérského uživatele a ani tato smluvní práva, ani tato zákonná práva nejsou tímto záručním prohlášením dotčena. Tato záruka je platná na území členských států Evropské unie a států Evropského sdružení volného obchodu.

Pokud se na vašem výrobku BOSTITCH objeví závada z důvodu vadných materiálů nebo řemeslného zpracování ve lhůtě 12 měsíců od data nákupu, zaručuje společnost BOSTITCH bezplatnou náhradu všech vadných součástí nebo – podle našeho uvážení – bezplatnou výměnu jednotky, a to za předpokladu, že:

- výrobek nebyl nesprávně používán, • výrobek byl běžně opotřeben; úderníky, dorazy pístu a O-kroužky se považují za opotřebitelné součásti a nejsou zahrnuty, • výrobek se nepokoušely opravit neoprávněné osoby, • bude předloženo nákupní doklad, • výrobek bude vrácen v kompletním stavu se všemi původními součástmi, • výrobek bude vrácen na vaše náklady společně s nákupním dokladem našemu regionálnímu středisku pro opravy nebo autorizovanému záručnímu středisku.

Pokud budete chtít uplatnit reklamaci, obraťte se na svého prodejce, vyhledejte si v katalogu společnosti BOSTITCH adresu svého nejbližšího autorizovaného zprostředkovatele společnosti BOSTITCH pro opravy nebo se obraťte na kancelář společnosti BOSTITCH na adrese uvedené v této příručce.



## ZVLÁŠTNÍ ODKAZY

Při provozu tohoto nářadí musí být používán pouze spojovací materiál, který je specifikován v těchto provozních předpisech (viz technická data nářadí). Nářadí a určený spojovací materiál jsou z hlediska bezpečnosti považovány za jednotný bezpečnostní systém.

Před použitím nářadí zkontrolujte, zda nejsou některé jeho díly poškozené, nesprávně zapojené nebo opotřebené.

Opravy musí být prováděny pouze oprávněnými zástupci firmy BOSTITCH nebo jinými odborníky, kteří postupují podle pokynů platných pro bezpečnost, provoz a údržbu zařízení, jež jsou uvedeny v této příručce, příručce ke konkrétnímu nářadí a technických datech nářadí.

**Poznámka:** Slovem odborník jsou označovány osoby, které na základě svého odborného výcviku nebo zkušeností získaly dostatečnou kvalifikaci v oblasti nářadí na přibíjení spojovacího materiálu a jsou způsobilé posoudit bezpečný stav nářadí na přibíjení spojovacího materiálu.

Montážní podstavce a přípravy sloužící pro připevnění nářadí k opoře, například pracovní stůl, musí být konstruovány a uzpůsobeny výrobcem montážních podstavců tak, aby nářadí na přibíjení spojovacího materiálu mohlo být bezpečně použito k danému účelu, a tudíž nemohlo dojít například k poškození, deformaci nebo přemístění.

## BEZPEČNOSTNÍ POKYNY



Obsluhující personál a všechny osoby, které se nacházejí na pracovišti při plnění, provozu nebo servisu nářadí, musí používat **OCHRANU ŽRAKU**, která poskytuje ochranu proti odletujícím částicám jak ZEPŘEDU, tak ZE STRANY. Ochrana zraku je požadována na ochranu proti odletujícím svorkám a úlomkům, které mohou způsobit vážné poškození zraku. Používání vhodné ochrany zraku musí zajistit zaměstnavatel a/nebo uživatel.

Ochrana zraku musí být použita v souladu s nařízením 89/686/EHS a se stejným nebo vyšším stupněm než tím, který je stanoven v EN166. Při volbě jakýchkoliv osobních ochranných pomůcek však musí být brána v úvahu veškerá hlediska práce osob obsluhujících nářadí, prostředí a dalších použitých strojů.



**VÝSTRAHA:** V některých prostředích mohou být požadovány **DODATEČNÉ OCHRANNÉ PROSTŘEDKY**. Pracoviště může být například vystaveno takovým úrovním hluku, které mohou způsobit poškození sluchu. Zaměstnavatel nebo uživatel musí předem zabezpečit, aby byla poskytnuta nezbytná ochrana sluchu, kterou musí používat obsluhující personál a všechny ostatní osoby na pracovišti. V některých prostředích mohou být vyžadovány prostředky pro ochranu hlavy. V případě, že je to požadováno, musí použití ochrany hlavy zajistit zaměstnavatel a uživatel.

## RIZIKO HLUKU

- Vystavení vysokým úrovním hluku bez ochrany může způsobit trvalé poškození a ztrátu sluchu a další obtíže jako tinitus (zvonění, bzučení, pískání nebo hučení u ušíh).
- Posouzení rizik a zavedení náležitých regulací pro tato rizika jsou zásadní.
- Příslušné regulace pro zmírnění rizika mohou zahrnovat činnosti jako použití tlumících materiálů, které zabrání obrobkům ve „zvonění“.
- Použijte náležitou ochranu sluchu.
- Abyste předešli nadměrnému zvýšení hlučnosti, nářadí provozujte a provádějte jeho údržbu podle doporučení v této příručce.
- Pokud nářadí obsahuje tlumič, v případě použití nářadí se vždy ujistěte, že je na svém místě a v provozuschopném stavu.

## RIZIKO VIBRACÍ

- Informace k provedení posouzení těchto rizik a zavedení náležitých regulací pro tato rizika jsou zásadní.
- Vystavení vibracím může způsobit poškození nervů a zásobení rukou a paží krví.
- Při práci v chladném prostředí noste teplý oděv a ruce udržujte v teple a suchu.
- Pokud zaznamenáte zneclitlivění, brnění, bolest nebo zbledání pokožky prstů či rukou, vyhledejte lékařskou pomoc od kvalifikovaného závodního lékaře ohledně celkové činnosti.
- Abyste předešli nadměrnému zvýšení úrovně vibrací, nářadí provozujte a provádějte jeho údržbu podle doporučení v této příručce.
- Nářadí držte lehce, ale bezpečně, protože riziko spojené s vibracemi je obecně větší při vyšší síle úchopu.

## **⚠ BEZPEČNOSTNÍ POKYNY PRO PŘÍVOD VZDUCHU A PŘÍPOJKY**



Nepoužívejte jako zdroje energie k pohonu pneumatického nářadí kyslík nebo hořlavé plyny.

Nepoužívejte plyny v lahvích nebo systém tlakového vzduchu v případech, kdy může tlak v rozvodu překročit maximální hodnotu uvedenou ve specifické příručce k nářadí, protože by mohlo dojít k roztržení nářadí a následnému zranění osob. V případě, že by maximální tlak vzduchu mohl výše uvedený tlak překročit, je nutné použít redukční ventil s pojistným ventilem na jeho výstupní straně. Oba tyto ventily musí být začleněny do systému přívodu vzduchu.

- Při připojování tlakového vzduchu nedržte spoušť ani se nedotýkejte bezpečnostní pojistky. Mohlo by dojít ke spuštění pracovního cyklu nářadí s možným následným zraněním osob.
- Připojovací koncovka na nářadí nesmí zadržovat tlak v případě, že je zdroj tlakového vzduchu odpojen. V případě použití špatné koncovky může dojít po odpojení zdroje tlakového vzduchu k zadržení tlakového vzduchu v nářadí, přičemž tento zbytkový tlakový vzduch může způsobit spuštění nářadí dokonce i při odpojení přívodu a zapříčiní následné zranění osob.
- Zdroj tlakového vzduchu vždy odpojte: 1) před prováděním seřízení, 2) při provádění servisu nářadí, 3) při čištění zaneseného nářadí, 4) není-li nářadí používáno, 5) při přenášení nářadí na jiné pracoviště, protože náhodná aktivace může mít za následek zranění osob.

## **⚠ BEZPEČNOSTNÍ POKYNY PRO PLNĚNÍ NÁŘADÍ**

Při plnění nářadí: 1) Nikdy nedávejte ruku ani žádnou část těla do oblasti výstřelu upevňovacích prvků z nářadí. 2) Nikdy nářadí nerozebírejte ani nenechávejte rozebírat. 3) Netahejte za spoušť ani netlačte na bezpečnostní pojistku, protože může dojít k náhodnému uvedení do provozu, což může způsobit zranění.

**Poznámka: Konkrétní pokyny pro nabíjení a rozměry doporučených svorek naleznete v samostatné příručce s technickými daty nářadí.**

## **⚠ BEZPEČNOSTNÍ POKYNY PRO OBSLUHU NÁŘADÍ**

- S nářadím zacházejte vždy s maximální opatrností: 1) Nikdy při práci s nářadím neprovádějte nemístné žerty. 2) Nikdy netiskněte spoušť, pokud není ústí

nářadí směřováno na zpracovávaný díl. 3) Nedovolte, aby se kdokoliv mohl přiblížit k nářadí, které je v činnosti, protože náhodné spuštění může mít za následek zranění osob.

- Obsluhující osoba nesmí tisknout spoušť a bezpečnostní pojistku (někdy také nazývanou bezpečnostní kontakt) s výjimkou operace vlastního sbíjení. V případě náhodného kontaktu pojistky s předmětem nebo osobou může totiž dojít ke spuštění cyklu s možným následným zraněním osob.
- Neponechávejte ruce nebo jinou těla před oblastí výstřelu u nářadí. Během zpětného rázu při práci nářadí může dojít k odskočení bezpečnostní pojistky a tím k nechtěnému sekundárnímu výstřelu a možnému zranění osob.
- Pravidelně kontrolujte funkci mechanismu bezpečnostní pojistky. Nepoužívejte nářadí, pokud bezpečnostní kontaktní prvek nepracuje správně, protože může dojít k náhodnému výstřelu. Neovlivňujte správnou funkci mechanismu bezpečnostní pojistky.
- Nezarážejte sponu/hřebík na jinou již přibitou sponu/hřebík, protože může dojít k odchýlení spony/hřebíku, které může způsobit zranění osob.
- Nikdy neumísťujte sponu/hřebík poblíž hrany výrobku, protože může dojít k rozštípnutí dřeva a následně odchýlení spony/hřebíku může způsobit zranění osob.
- Nenatahujte se mimo přirozenou polohu. Používejte pouze na bezpečném pracovišti. Vždy udržujte správný postoj a rovnováhu.
- Neúčastněné osoby udržujte mimo dosah (při práci v prostoru, kde existuje pravděpodobnost pohybu procházejících osob). Zřetelně vyznačte svou pracovní oblast.
- Vždy používejte druhou rukojeť (pokud je součástí dodávky).
- Noste pouze rukavice, které poskytují dostatečnou hmatovou odezvu a bezpečné ovládání spouští a seřizovacích prvků.
- Během provozu mohou z obrobku a nářadí/zakládacího systému odletovat úlomky.
- Při manipulaci s nářadím bez kontaktu s obrobkem buďte opatrní, protože by se mohlo náhodně spustit a způsobit poranění obsluhy nebo neúčastněné osoby.
- Ujistěte se, že je nářadí vždy bezpečně usazené na obrobku a nemůže sklouznout.
- Udržujte rovnovážnou polohu těla a pevný postoj.
- Noste vhodné ochranné brýle. Doporučujeme používat vhodné rukavice a ochranný oděv.

## **⚠ BEZPEČNOSTNÍ POKYNY PRO ÚDRŽBU NÁŘADÍ**

Při práci s nářadím poháněným tlakovým vzduchem dbejte výstrah uvedených v této příručce, ve zvláštních pokynech a dále na vlastním nářadí. Při zkoumání potíží s nářadím postupujte zvláště opatrně.

## **⚠ PŘÍVOD VZDUCHU A PŘÍPOJENÍ**

Při připojování nářadí ke zdroji tlakového vzduchu musí být výstupní oblast nářadí namířena směrem od obsluhující osoby a jiných osob na pracovišti. Příložitelná část nářadí na přibíjení spo/hřebíků ke kusu zkušebnímu materiálu dostatečně tloušťky, který je plně schopen pojmout velikost upevňované sponky. Přívod vzduchu smí být připojen pouze tehdy, pokud se končetiny a tělo obsluhující osoby nacházejí mimo výstupní oblast nářadí.

Náhodnému spuštění a možnému zranění osob zabráníme tím, že vždy odpojíme přívod tlakového vzduchu:

1. před prováděním seřizování,
2. při servisu nářadí,
3. při čištění zaneseného nářadí,
4. pokud není nářadí používáno,
5. při přenášení nářadí na jiné pracoviště, protože náhodná aktivace může mít za následek zranění osob.

• Kompresory musí být vhodně dimenzované tak, aby byl zajištěn dostatečný tlak a průtokový objem dodaného vzduchu požadovaného k předpokládanému účelu použití. Poklesy tlaku během dodávky vzduchu mohou způsobit snížení hnací síly nářadí. Při nastavení správného tlaku pro nářadí postupujte podle technických dat nářadí.

• Průmyslové rozvody tlakového vzduchu musí být umístěny ve směru, přičemž nejvyšší místo se nachází nejbližším kompresoru. V nejnižším místě rozvodu musí být umístěny snadno přístupné odlučovače vody – odlučovače vody vypouštějte minimálně jedenkrát denně, pokud je to nutné, tak i častěji. Nečistoty a voda obsažené v tlakovém vzduchu jsou hlavní příčinou opotřebení pneumatického nářadí. Místa pro připojování nářadí musí být vybavena kombinovanou jednotkou sestávající z filtru, redukčního tlakového ventilu a přimazávací jednotky umístěné přímo v přípojném místě. Filtr umožní zajistit optimální výkon a minimalizovat opotřebení nářadí. Filtr musí mít kapacitu odpovídající průtokovému množství pro konkrétní instalované zařízení. Aby mohl filtr účinně

zajišťovat dodávku čistého stlačeného vzduchu, musí být udržován čistý. Při provádění řádné údržby filtru postupujte podle pokynů výrobce. Znečištěný nebo zanesený filtr způsobí pokles tlaku, který má potom za následek snížení výkonnosti nářadí.

- Odbočky z průmyslových rozvodů musí být provedeny z horní strany vzduchového potrubí.
- Hadice na stlačený vzduch musí být dimenzovány na pracovní tlak minimálně 10,6 baru nebo na 150 % maximálního tlaku, který je v systému stlačeného vzduchu dosažitelný. V rámci dodávky hadic musí být zajištěny také armatury, které umožňují tzv. rychlé odpojení od koncovky na nářadí.
- Ujistěte se, že tlak přivedený do nářadí nepřekračuje hodnotu maximálního povoleného pracovního tlaku označeného jako ps max. (viz technická data nářadí). Přiváděný tlak nastavte nejdříve na nejnižší doporučenou hodnotu pracovního tlaku (viz technické údaje nářadí).

• Přesvědčte se, že nářadí správně pracuje: Přiložte nos nářadí ke kusu odpadového dřeva a stisknete jednou nebo dvakrát spoušť.

## **MAZÁNÍ**

• Pro zajištění optimálního výkonu je nutné pravidelně, ale nikoli nadměrně mazání. Olej přidávaný při průchodu vzduchovým potrubím zajišťuje mazání vnitřních částí nářadí. Podrobnosti týkající se správného mazání naleznete v technických datech nářadí. Nepoužívejte saponátový olej nebo přísady, protože tato maziva způsobují urychlení opotřebení těsnění a nárazníků v nářadí, což má za následek špatnou funkci nářadí a nutnost jeho časté údržby.

• Není-li v rozvodu tlakového vzduchu použito přimazávání, přidejte olej během použití jednou až dvakrát denně do nástroje skrz koncovku pro připojení tlakového vzduchu. Přitom stačí dávkovat pouze několik (3–5) kapek oleje. Příliš mnoho oleje se pouze hromadí uvnitř nářadí, což je potom patrné při fázi výfuku.

• Provoz za chladného počasí. Při provozu za chladného počasí, blízko bodu mrazu nebo pod ním, může vlhkost nahromaděná ve vzduchovém potrubí zamrznout, což znemožní provoz nářadí. V tomto případě doporučujeme použití vzduchového mazadla firmy BOSTITCH s názvem Winter Formula, případně dočasné použití nemrzoucí směsi (etylenglykol) jako mazadla pro chladné počasí.

**Výstraha** – neskladujte nářadí v chladném prostředí, aby nemohlo dojít ke vzniku ledu v pracovních ventilech a mechanismech, což by mohlo mít za následek selhání.

© **Poznámka:** Některé obchodní značky kapalin pro vysoušení vzduchového potrubí škodí O-kroužkům a těsnění – nepoužívejte tyto vysoušeče vzduchu pro nízké teploty bez ověření jejich slučitelnosti.

## ▲ PROVOZ

Obsluhující personál a všechny osoby, které se nacházejí na pracovišti při plnění, provozu nebo servisu nářadí, musí používat **OCHRANU ZRAKU**, která poskytuje ochranu proti odletujícím částicám jak **ZEPŘEDU**, tak **ZE STRANY**. Ochrana zraku je požadována na ochranu proti odletujícím sponám/hřebíkům a úlomkům, které mohou způsobit vážné poškození zraku. Používání vhodné ochrany zraku musí zajistit zaměstnavatel a/nebo uživatel.

Vybavení na ochranu zraku musí zajišťovat jak čelní, tak boční ochranu. **Poznámka:** Neuzavřené brýle a obličejové štíty samotné neposkytují dostatečnou ochranu.

▲ **VAROVÁNÍ!** Pokud došlo k upuštění nářadí nebo máte podezření na jeho poškození, proveďte provozní zkoušku nářadí podle popisu v části o provozní zkoušce nářadí.

## ZABRÁNĚNÍ NÁHODNÉMU ZRANĚNÍ OSOB:

- Nikdy nenechávejte ruku nebo jinou část těla před výstupní oblastí nářadí, je-li připojen zdroj tlakového vzduchu.
- Nikdy nesměřujte nářadí na jiné osoby.
- Nikdy při práci s nářadím neprovádějte nemístné žerty.
- Nikdy netiskněte spoušť, nesměřuje-li nos nářadí směrem k výrobku.
- S nářadím zacházejte vždy s maximální opatrností.
- Netiskněte spoušť nebo netlačte na bezpečnostní pojistku během plnění nářadí.

## DRUHY PROVOZU: BOSTITCH nabízí SEDM druhů provozu:

Druh provozu	Odkaz na příručku k nástroji	Bezpečnostní pojistka / bezpečnostní spona
REŽIM KONTAKTNÍHO NASTŘELOVÁNÍ	1	✓
REŽIM ČÁSTEČNÉHO SEKVENČNÍHO NASTŘELOVÁNÍ	2	✓
REŽIM PLNÉHO SEKVENČNÍHO NASTŘELOVÁNÍ	2A	✓
OVLÁDÁNÍ SPOUŠTĚ	3	✗
PROVOZ S TRVALÝM KONTAKTNÍM NASTŘELOVÁNÍM	4	✓
TRVALÉ OVLÁDÁNÍ SPOUŠTĚ („AUTOMATICKÝ PROVOZ“)	5	✗
VOLITELNÝ REŽIM NASTŘELOVÁNÍ	6	✓

**NÁŘADÍ BEZ BEZPEČNOSTNÍ POJISTKY (NĚKDY NAZÝVANÉ BEZPEČNOSTNÍ KONTAKT) – možné jsou dva různé druhy provozu:**

vzhledem k požadavkům dané aplikace. Nářadí ovládané spouští vystřelí pokaždé, když dojde ke stisknutí spouště.

### REŽIM OVLÁDÁNÍ SPOUŠTĚ (položka 3 v tabulce technických dat, sloupec L(a))

U modelu ovládaného pomocí spouště se cyklus zahajuje pouze stisknutím spouště. Tento model nemá bezpečnostní pojistku a jeho použití je předpokládáno tam, kde **NENÍ MOŽNÉ** použít bezpečnostní pojistky

### TRVALÉ OVLÁDÁNÍ SPOUŠTĚ NEBOLI „AUTOMATICKÝ PROVOZ“ (položka 5 v tabulce technických dat, sloupec L(a))

Model nepřetržitě ovládaný spouští umožňuje, aby byl cyklus vystřelení spony/hřebíku opakován tak dlouho, dokud zůstává stisknuta spoušť. Tento model nemá bezpečnostní pojistku a jeho použití je předpokládáno

tam, kde NENÍ MOŽNÉ použít bezpečnostní pojistky vzhledem k požadavkům dané aplikace.

GB Not to be reproduced without permission. Unauthorised

## NÁŘADÍ S BEZPEČNOSTNÍ POJISTKOU (NĚKDY TĚZ NAZÝVANOU BEZPEČNOSTNÍ KONTAKT)

– **pět možných druhů provozu:** formes aux normes CE.

Veškeré nářadí s bezpečnostní pojistkou je označeno symbolem obráceného rovnostranného trojúhelníku (t). Nesnažte se použít nářadí označené tímto způsobem, pokud bezpečnostní pojistka chybí nebo je poškozena.

U většiny dalšího nářadí je bezpečnostní pojistka obvykle v pozici „Vytaženo“ nebo „Dole“ (položka 1 v tabulce technických dat, sloupec L(b)). Některé druhy nářadí jsou vybaveny bezpečnostní pojistkou, která je obvykle v pozici „Stlačeno“ nebo „Nahore“ (položka 2 v tabulce technických dat, sloupec L(b)). Pro získání úplných pokynů ohledně této vlastnosti si přečtěte příručku technických dat nářadí, která je konkrétně určena pro vaše nářadí.

αντίγραφο του παρόντος εγγράφου δεν αποδέχεται καμία ευθύνη.



### REŽIM KONTAKTNÍHO NASTŘELOVÁNÍ (ČERNÁ SPOUŠŤ) (položka 1 v tabulce technických dat, sloupec L(a))

Společným funkčním postupem u nářadí pro „Kontaktní režim“ nebo „Režim zpětného rázu“ je aktivace bezpečnostní pojistky

obsluhující osobou, zatímco je spoušť stisknuta, takže je spona/hřebík přibit pokaždé, když dojde ke kontaktu s výrobkem. Tím je umožněno rychlé přibíjení spon/hřebíků v případě mnoha různých prací, jako je například montáž beden a palet. U veškerého pneumatického nářadí dochází během přibíjení spon/hřebíků ke zpětnému rázu. Nářadí tak může odskočit, přičemž se uvolní bezpečnostní pojistka, a pokud dojde k náhodnému opětovnému kontaktu s povrchem výrobku a spoušť je stále stisknuta (prst stále drží stisknutou spoušť), může dojít k nechtěnému přibití další spony/hřebíku.

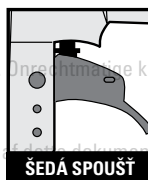


**VAROVÁNÍ!** Nářadí označené tímto symbolem provádí buď kontaktní nastřelování, souvislé kontaktní nastřelování, nebo volitelné nastřelování.



Toto nářadí je určeno k použití při výrobě produktů, jako jsou palety, nábytek, vyráběné skříňe nebo čalounění. **NEPOUŽÍVEJTE** toto nářadí v režimu kontaktního nastřelování

k takovým účelům, jako je například zavírání krabic nebo beden a montáž bezpečnostních přepravních systémů na přívěsech a nákladních automobilech. Toto nářadí je určeno pouze k použití na bezpečných pracovištích. Při přechodu z jednoho místa práce na druhé je třeba dbát na to, aby nedošlo k náhodnému uvedení do provozu.



### SEKVENČNÍ NASTŘELOVÁNÍ – 2 DRUHY (ŠEDÁ SPOUŠŤ):

#### 1. DRUH: REŽIM ČÁSTEČNĚHO SEKVENČNÍHO NASTŘELOVÁNÍ (položka 2 v tabulce technických dat, sloupec L(a))

U částečného sekvenčního nastřelování je nutné, aby před stisknutím spouště držela obsluhující osoba nářadí ve směru k výrobku se stisknutou bezpečnostní pojistkou. V případě, že je třeba umístit další spony/hřebíky, musí být spoušť uvolněna a opětovně stisknuta, poté lze nářadí obsluhovat. Nářadí bude uvedeno do provozu po každém stisknutí spouště, zatímco je přitisknuto k opracovávanému dílu.

#### 2. DRUH: REŽIM ÚPLNĚHO SEKVENČNÍHO NASTŘELOVÁNÍ (položka 2A v tabulce technických dat, sloupec L(a))

Úplné sekvenční nastřelování funguje obdobně jako částečné sekvenční nastřelování, s tím rozdílem, že pro upevnění dalších sponek musí být spoušť uvolněna a nářadí musí být nadzvednuto a opětovně přitisknuto k opracovávanému dílu.

Oba druhy sekvenčního nastřelování umožňují přesnější umístění sponky, např. při rámování, šikmém přibíjení a bednění. Sekvenční nastřelování umožňuje přesnější umístění sponky bez možnosti výstřelu druhé sponky při zpětném nárazu, jak je popsáno v části týkající se režimu kontaktního nastřelování (niže). Nářadí se sekvenčním nastřelováním má bezpečnostní výhodu, protože není možné, aby došlo k náhodnému vystřelení svorky tehdy, pokud není nářadí v kontaktu s výrobkem nebo čímkoli jiným, když drží obsluha spoušť stisknutou.

#### PROVOZ S TRVALÝM KONTAKTNÍM NASTŘELOVÁNÍM (položka 4 v tabulce technických dat, sloupec L(a))

Nářadí s trvalým kontaktním nastřelováním umožňuje, aby byly cykly přibíjení opakovány tak dlouho, dokud

zůstává stisknutá spoušť a je přitom aktivovaná bezpečnostní pojistka.

Před manipulací nebo prací s tímto nářadím: compliance for the products.

Pročtete si výstrahy uvedené v této příručce a porozumějte jim. Při identifikaci provozního systému nářadí použijte technická data nářadí.



**VAROVÁNÍ!** Nářadí označené tímto symbolem provádí buď kontaktní nastřelování, souvislé kontaktní nastřelování, nebo volitelné nastřelování.

Toto nářadí je určeno k použití při výrobě produktů, jako jsou palety, nábytek, vyráběné skříně nebo čalounění. **NEPOUŽÍVEJTE** toto nářadí v režimu kontaktního nastřelování k takovým účelům, jako je například zavírání krabic nebo beden a montáž bezpečnostních přepravních systémů na přívěsech a nákladních automobilech. Toto nářadí je určeno pouze k použití na bezpečných pracovištích. Při přechodu z jednoho místa práce na druhé je třeba dbát na to, aby nedošlo k náhodnému uvedení do provozu.



### VOLITELNÝ REŽIM NASTŘELOVÁNÍ (položka 6 v tabulce technických dat, sloupec L(a))

Některé typy nářadí jsou vybavené volitelným režimem, který umožňuje uživateli změnu mezi sekvenčním a kontaktním nastřelováním.

Druh vybraného režimu je indikován polohou prepínače režimů. Když tento prepínač míří dolů na ikonu několika hřebíků vyraženou na tělese nářadí, je vybrán režim kontaktního nastřelování. Pokud prepínač míří nahoru na ikonu jednoho hřebíku vyraženou na tělese nářadí, je vybrán režim sekvenčního nastřelování. Před volbou požadovaného režimu si přečtete výše uvedené oddíly s názvy „Režim kontaktního nastřelování“ a „Režim sekvenčního nastřelování“ a porozumíte jim.

Abyste získali úplné pokyny, jak tuto vlastnost využívat, prostudujte si příručku technických dat, která je konkrétně určena pro vaše nářadí.



**VAROVÁNÍ!** Nářadí označené tímto symbolem provádí buď kontaktní nastřelování, souvislé kontaktní nastřelování, nebo volitelné nastřelování.

Toto nářadí je určeno k použití při výrobě produktů, jako jsou palety, nábytek, vyráběné skříně nebo čalounění. **NEPOUŽÍVEJTE** toto

nářadí v režimu kontaktního nastřelování k takovým účelům, jako je například zavírání krabic nebo beden a montáž bezpečnostních přepravních systémů na přívěsech a nákladních automobilech. Toto nářadí je určeno pouze k použití na bezpečných pracovištích. Při přechodu z jednoho místa práce na druhé je třeba dbát na to, aby nedošlo k náhodnému uvedení do provozu.

## PROVOZNI ZKOUŠKA NÁŘADÍ

**VÝSTRAHA:** Před provedením kontroly funkce nářadí vyjměte z nářadí všechny spony/hřebíky.

**VAROVÁNÍ!** Pokud došlo k upuštění nářadí nebo máte podezření na jeho poškození, proveďte provozní zkoušku nářadí podle popisu v části o provozní zkoušce nářadí.

### NÁŘADÍ OVLÁDANÉ POMOCÍ SPOUŠTĚ:

- S prstem mimo spoušť pevně uchopte nářadí za rukojeť.
- Přitiskněte nos nářadí k povrchu opracovávaného dílu.
- Stiskněte spoušť, čímž dojde k přibití spony/hřebíku. Uvolněte spoušť, tímto je cyklus ukončen.

**VÝSTRAHA:** Ke spuštění cyklu dojde vždy, když je stisknuta spoušť!

### NÁŘADÍ TRVALE OVLÁDANÉ SPOUŠTÍ („AUTOMATICKÝ PROVOZ“)

- S prstem mimo spoušť pevně uchopte nářadí za rukojeť.
- Přitiskněte nos nářadí k povrchu opracovávaného dílu.
- Stiskněte spoušť a posuňte nářadí buď ze strany na stranu, nebo dozadu a dopředu. Nářadí opakuje cyklus, dokud neuvolníte spoušť.

**VÝSTRAHA:** Ujistěte se, že je nářadí pevně přitisknuto k povrchu výrobku a během práce se nenachází poblíž hrany opracovávaného dílu. Sponka může být vystřelena do vzduchu a může způsobit zranění osob.

### PROVOZ S KONTAKTNÍM NASTŘELOVÁNÍM

- S prstem mimo spoušť přitiskněte bezpečnostní pojistku k povrchu opracovávaného dílu.  
**NÁŘADÍ NESMÍ SPUSTIT.**

B) Držte nářadí vzdálené od povrchu opracovávaného dílu, přičemž nedovolte, aby směřovalo na vás nebo jinou osobu, a stiskněte spoušť.  
**NÁŘADÍ NESMÍ SPUSTIT.**

C) Stiskněte spoušť, přičemž se nářadí nedotýká povrchu opracovávaného dílu. Přitiskněte bezpečnostní pojistku k povrchu opracovávaného dílu.  
**NÁŘADÍ MUSÍ SPUSTIT.**

D) Aníž byste se dotkli spouště, přitiskněte bezpečnostní pojistku k povrchu opracovávaného dílu a poté stiskněte spoušť.  
**NÁŘADÍ MUSÍ SPUSTIT.**

pojistku přitiskněte k povrchu opracovávaného dílu.  
**NÁŘADÍ NESMÍ SPUSTIT.**

D) Aníž byste se dotkli spouště, přitiskněte bezpečnostní sponu k povrchu opracovávaného dílu a poté stiskněte spoušť.  
**NÁŘADÍ MUSÍ SPUSTIT.**

E) Stále stlačenou bezpečnostní sponu přitiskněte k povrchu opracovávaného dílu a poté znovu stiskněte spoušť.  
**NÁŘADÍ NESMÍ SPUSTIT.**

## PROVOZ S ČÁSTEČNÝM SOUVISLÝM NASTŘELOVÁNÍM

A) Aníž byste se dotkli spouště, přitiskněte bezpečnostní pojistku k povrchu opracovávaného dílu.  
**NÁŘADÍ NESMÍ SPUSTIT.**

B) Držte nářadí vzdálené od povrchu opracovávaného dílu, přičemž nedovolte, aby směřovalo na vás nebo jinou osobu, a stiskněte spoušť.  
**NÁŘADÍ NESMÍ SPUSTIT.**

C) Stiskněte spoušť, přičemž se nářadí nedotýká povrchu opracovávaného dílu. Bezpečnostní pojistku přitiskněte k povrchu opracovávaného dílu.  
**NÁŘADÍ NESMÍ SPUSTIT.**

D) Aníž byste se dotkli spouště, přitiskněte bezpečnostní sponu k povrchu opracovávaného dílu a poté stiskněte spoušť.  
**NÁŘADÍ MUSÍ SPUSTIT.**

E) Stále stlačenou bezpečnostní sponu přitiskněte k povrchu opracovávaného dílu a poté znovu stiskněte spoušť.  
**NÁŘADÍ MUSÍ SPUSTIT.**

## PROVOZ S TRVALÝM KONTAKTNÍM NASTŘELOVÁNÍM

A) S prstem mimo spoušť přitiskněte bezpečnostní pojistku k povrchu opracovávaného dílu.  
**NÁŘADÍ NESMÍ SPUSTIT.**

B) Držte nářadí vzdálené od povrchu opracovávaného dílu, přičemž nedovolte, aby směřovalo na vás nebo jinou osobu, a stiskněte spoušť.  
**NÁŘADÍ NESMÍ SPUSTIT.**

C) Stiskněte spoušť, přičemž se nářadí nedotýká povrchu opracovávaného dílu. Přitiskněte bezpečnostní pojistku k povrchu opracovávaného dílu a posuňte nářadí buď ze strany na stranu, nebo dozadu a dopředu.  
**NÁŘADÍ MUSÍ SPUSTIT A POKRAČOVAT VE SBÍJENÍ, DOKUD NEUVOLNÍTE SPOUŠŤ NEBO NÁŘADÍ NEODDÁLÍTE OD PVRCHU OPRACOVÁVANÉHO DÍLU.**

D) Aníž byste se dotkli spouště, přitiskněte bezpečnostní pojistku k povrchu opracovávaného dílu a poté stiskněte spoušť.  
**NÁŘADÍ MUSÍ SPUSTIT A POKRAČOVAT VE SBÍJENÍ, DOKUD NEUVOLNÍTE SPOUŠŤ NEBO NÁŘADÍ NEODDÁLÍTE OD PVRCHU OPRACOVÁVANÉHO DÍLU.**

## PROVOZ S PLNÝM SEKVENČNÍM NASTŘELOVÁNÍM

A) Aníž byste se dotkli spouště, přitiskněte bezpečnostní pojistku k povrchu opracovávaného dílu.  
**NÁŘADÍ NESMÍ SPUSTIT.**

B) Držte nářadí vzdálené od povrchu opracovávaného dílu, přičemž nedovolte, aby směřovalo na vás nebo jinou osobu, a stiskněte spoušť.  
**NÁŘADÍ NESMÍ SPUSTIT.**

C) Stiskněte spoušť, přičemž se nářadí nedotýká povrchu opracovávaného dílu. Bezpečnostní

## POUŽITÍ NÁŘADÍ

Ověření správné funkce nářadí proveďte tak, že přitisknete nos nářadí k opracovávanému dílu a stisknete spoušť. Zkontrolujte, zda byla spona/hřebík přibit tak, jak je požadováno.

- Pokud sponka není přibita dostatečně hluboko, zvyšujte postupně tlak o 0,5 baru (5–6 PSI) a po každém dalším nastavení opakujte zkoušku. Nepřekračujte hodnotu maximálního přípustného pracovního tlaku (viz technická data nářadí).

- Pokud je spona/hřebík přibit příliš hluboko, snižujte postupně tlak zhruba o 0,5 baru (5–6 PSI) a po každém dalším nastavení opakujte zkoušku. Nesazte se používat tlak nižší, než je minimální doporučený pracovní tlak (viz technická data náradí).

Vždy se snažte pracovat s nejnižším možným tlakem. Snižte se tím vznikající hluk a vibrace a zároveň se prodlouží životnost vnitřních součástí, například dorazu pístu.

## MIMO OSTATNÍCH VAROVNÝCH INFORMACÍ UVEDENÝCH V TÉTO PŘÍRUČCE DODRŽUJTE NÁSLEDUJÍCÍ POKYNY PRO BEZPEČNÝ PROVOZ:

- Zacházejte s náradím na přibíjení spon/hřebíků BOSTITCH jako s náradím. Není to hračka. Žádné žertování.
- Používejte pneumatické náradí BOSTITCH pouze k tomu účelu, ke kterému bylo zkonstruováno.
- Nikdy nepoužívejte náradí takovým způsobem, při kterém by mohlo dojít ke směrování výstřelu buď proti obsluze, nebo jiným osobám na pracovišti.
- Nepoužívejte náradí jako kladiva.
- Vždy přenašejte náradí na rukojeť. Nikdy nenoste náradí za hadici tlakového vzduchu. Nikdy nenoste náradí se stisknutou spouští.
- Neměňte ani neupravujte původní konstrukci nebo funkci tohoto náradí bez písemného souhlasu firmy BOSTITCH.
- Vždy mějte na paměti, že nesprávné nebo nevhodné použití tohoto náradí může způsobit zranění vám nebo jiným osobám.
- Nikdy nepřipevňujte spoušť nebo bezpečnostní pojistku svorkou nebo páskou tak, aby zůstaly v aktivní poloze.
- Nikdy nenechávejte náradí bez dozoru s připojenou vzduchovou hadicí.
- Nepracujte s tímto náradím, pokud není vybaveno čitelným VAROVNÝM ŠTÍTKEM.
- Nepokračujte v práci s náradím, ze kterého uniká vzduch nebo nefunguje správně. Pokud náradí vykazuje trvalé problémy funkčnosti, uveďte nejbližšího zástupce firmy BOSTITCH.
- Při provozu držte náradí takovým způsobem, aby nemohlo dojít ke zranění hlavy nebo těla při zpětném rázu způsobeném výpadkem dodávky tlakového vzduchu a nebo při kontaktu s tvrdými místy na výrobku.
- Nepracujte v blízkosti hran nebo rohů opracovávaného dílu. Mohlo by dojít ke sklouznutí spony/hřebíku mimo díl a tím k možnému poranění osob.

- Při přepravě náradí nejprve odpojte přívod tlakového vzduchu.
- Zkontrolujte, zda jak bezpečnostní pojistka (je-li instalována), tak spoušť pracují správně.
- Nedemontujte nebo neblokuje kteroukoliv část náradí, především pak bezpečnostní pojistku.
- Nikdy neprovádějte zeslabení konstrukce náradí děrováním nebo rytím.



- Nepoužívejte poškozené, roztržené nebo narušené vzduchové hadice a armatury.



- Nevedejte náradí za hadici.

- Při použití pneumatického náradí pamatujte, že se náradí může ochladit, což ovlivní uchopení a ovládání.

### Rizika opakujícího se pohybu

- V případě dlouhodobého používání náradí může obsluha pocítit nepohodlí v oblasti rukou, ramen, krku nebo jiných částí těla.

Platí následující:

- Během použití náradí musí obsluha zaujmout vhodný, avšak ergonomický postoj. Udržujte pevné postavení a vyhněte se nepřirozenému nebo nerovnovážnému postoji.
- Pokud obsluha pocítí příznaky, jako jsou trvalé nebo opakující se nepohodlí, bolest, pulzování, bodavá bolest, brnění, znečítlivění, palčivý pocit nebo strnutí, tyto varovné příznaky nepřehlížejte. Obsluha by se měla poradit s kvalifikovaným lékařem ohledně celkové činnosti.

### Rizika na pracovišti

- Hlavními příčinami úrazů na pracovišti jsou uklouznutí, zakopnutí a pády. Dejte pozor na kluzké povrchy způsobené použitím náradí a rovněž na riziko zakopnutí o přívodní vzduchovou hadici.
- V neznámém prostředí pracujte se zvýšenou opatrností. Mohou hrozit skrytá rizika, jako je elektrické či jiné vedení.
- Toto náradí není určeno k použití v prostředí s nebezpečím výbuchu a není izolováno od kontaktu s elektrinou.



- Ujistěte se, že nejsou přítomny žádné elektrické kabely, plynové potrubí apod., které by v případě poškození nářadím mohly způsobit nebezpečí.

### Zbytková rizika

S použitím těchto přístrojů jsou nedílně spojena následující rizika:

- Zranění způsobená nesprávnou manipulací s nářadím.
- Ztráta kontroly z důvodu nedostatečně pevného uchopení nářadí.
- Svalové napětí paží a rukou, zejména při práci nad hlavou. Při delší práci vždy dělejte pravidelné přestávky.

Navzdory použití náležitých bezpečnostních předpisů a provedení bezpečnostních opatření nelze zabránit určitým zbytkovým rizikům. Jde o následující rizika:

- Poškození sluchu.
- Riziko zranění odletujícími úlomky.
- Riziko popálení z důvodu zahřátí vybavení během provozu.
- Riziko zranění v důsledku dlouhodobého používání.
- Ztráta kontroly způsobená zpětným rázem.
- Riziko zranění způsobené místy, kde hrozí prasknutí, ostrými hranami a nesprávnou manipulací s opracovávaným dílem.
- Riziko zranění způsobené ostrými hranami při výměně hřebíků nebo vkládání pásků hřebíků.

### EMISE HLUKU (viz technická data nářadí)

Charakteristické hodnoty hluku pro toto nářadí byly stanoveny v souladu s normou EN 12549 „Akustika

– Předpis pro zkoušení hluku u nářadí na přibíjení – Technická metoda“

Tyto hodnoty jsou vztaheny k charakteristickým

hodnotám a nepředstavují hodnotu generovaného hluku v místě použití. Generování hluku v místě použití závisí například na pracovním prostředí, výrobku, uložení

výrobku a počtu operací přibíjení atd.

SK Rozmnožovanie bez povolenia je zakázané. Neoprávnené kópie tohto dokumentu nie sú v súlade s CE pre dané

V závislosti na podmínkách na pracovišti a na tvaru

výrobku může být nutné použití dalších opatření

k utlumení hluku, jakými jsou například umístění výrobků

na podpěry tlumící hluk, zabránění vibrací výrobku

pomocí svorek nebo krytů, nastavení minimálního tlaku

vzduchu požadovaného pro danou práci atd.

## INFORMACE TÝKAJÍCÍ SE VIBRACÍ (viz technická data nářadí)

Charakteristické hodnoty vibrací byly stanoveny podle normy ISO/WD 8662-11 „Měření vibrací poháněného ručního nářadí – Část 11 – Nářadí na přibíjení“

Tato hodnota se vztahuje k charakteristickým hodnotám a nebere v úvahu vliv na systém ruka-rameno při použití nářadí. Vliv na systém ruka-rameno při používání nářadí závisí například na síle sevření, síle kontaktu, pracovním směru, nastavení přívodu tlakového vzduchu, opracovávaném dílu, uložení opracovávaného dílu atd.

GB Not to be reproduced without permission. Unauthorised copies of this document do not constitute CE compliance for the products.

FR Reproduction interdite sans permission préalable. Les copies non autorisées de ce document ne signifient en rien que les produits soient conformes aux normes CE.

DE Vervielfältigung nicht ohne Genehmigung gestattet. Unzulässige Kopien dieses Dokuments erfüllen nicht die CE-Richtlinien für Produkte.

NL Mag niet worden vernenigvuldigd zonder toestemming. Onrechtmatige kopieën van dit document willen niet zeggen dat de producten voldoen aan de CE-vereisten.

DK Må ikke gengives uden tilladelse. Uautoriserede kopier af dette dokument udgør ikke CE-overholdelse for produkterne.

FI Ei saa julkentää ilman lupaa. Tämän asiakirjan ilman valtuutusta tehty kopiointi ei välttämättä muotoile tuotteille CE-vaatimuksia.

GR Η παρούσα τεχνική οδηγία αναπαραγωγή χωρίς προηγούμενη άδεια. Τα μη εξουσιοδοτημένα αντίγραφα του παρόντος εγγράφου δεν αποτελούν συμμόρφωση CE για τα προϊόντα.

- A) Do vzduchového systému  
 B) Hlavní vedení (3× velikost vstupu pneumatického nářadí)  
 C) Do pneumatického nářadí  
 D) Nouzový šoupátkový ventil  
 E) Mazací jednotka  
 F) Regulátor  
 G) Odbočka (2× velikost vstupu pneumatického nářadí)  
 H) Vypouštěcí ventil  
 I) Kompressor  
 J) Filtr  
 K) 1/4" NPT-armatura pro vysoký průtok  
 L) Vzduchová hadice s min. vnitř. průměrem 3/8" (10 mm)

PT Reprodução proibida sem autorização prévia. As cópias não autorizadas deste documento não estão em

## UVEDENÍ NÁŘADÍ DO PROVOZU

Mezi vzduchový kompresor a mazadlo vzduchu by měla být umístěna jednotka pro filtraci vzduchu (J), aby zajistila přívod čistého vzduchu do nářadí. Voda a nečistoty mohou pneumatické nástroje poškodit (viz schéma výše).

## ŘEŠENÍ PROBLÉMU A ÚDRŽBA

Opravy musí být prováděny pouze oprávněnými zástupci firmy BOSTITCH nebo jinými odborníky, kteří postupují podle pokynů platných pro bezpečnost, provoz a údržbu zařízení, jež jsou uvedeny v této příručce, příručce ke konkrétnímu nářadí a technických datech nářadí.

- Před zahájením opravy nebo údržby odpojte nářadí od dodávky tlakového vzduchu a zcela vyprázdňte zásobník. Dbejte varování uvedených v této příručce, v technických datech nářadí a na nářadí samotném. Při zkoumání potíží s nářadím postupujte zvláště opatrně.

- Důrazně doporučujeme používat pouze originální náhradní díly BOSTITCH. Nepoužívejte upravené díly nebo díly, u kterých není zaručena stejná funkce jako u originálního zařízení.

- Při údržbě nářadí se ujistěte, že jsou vnitřní části čisté a promazané. Na všechny O-kroužky aplikujte přípravek „O“-Lube firmy Parker nebo jeho ekvivalent. Před montáží naneste na každý O-kroužek mazivo „O“-Lube. Použijte malé množství oleje na všechny pohyblivé plochy a čepy. Před zkoušením po opětovném sestavení přidejte do přívodu vzduchu několik kapek přípravku BOSTITCH Air Tool Lubricant (mazivo pro vzduchové nářadí).

- Další pokyny, které se týkají konkrétní údržby vašeho nářadí, naleznete v technických datech nářadí.

- Pokud není možné vyřešit problém za pomoci níže uvedeného návodu, spojte se s nejbližším zástupcem nebo distributorem firmy BOSTITCH.

RU Neautorizovani dokumenti ne mogu biti kopirani bez pozvoljenja. Az evo koji dokumenti su neautorizovani za kopiranje i distribuciju.

RO Nu se permite reproducerea sau copierea acestui document sau reprezentarea sa în formatul CE pentru produse.

PROBLÉM	PŘÍČINA	NÁPRAVA
Nářadí nespustí	Omezení dodávky vzduchu	Zkontrolujte zařízení dodávající vzduch
Nářadí suché, není namazané	Nářadí suché, není namazané	Použijte mazivo na pneumatické nářadí značky BOSTITCH
Opotřebené O-kroužky hlavního ventilu (jsou-li instalovány)	Opotřebené O-kroužky hlavního ventilu (jsou-li instalovány)	Vyměňte O-kroužky
Prasklá pružina víčka válce	Prasklá pružina víčka válce	Vyměňte pružinu víčka válce
Hlavní ventil (je-li instalován) zaseknutý ve víčku	Hlavní ventil (je-li instalován) zaseknutý ve víčku	Demontujte/zkontrolujte/promažte
Nedostatečná síla, pomalé spouštění	Příliš nízký tlak vzduchu	Zkontrolujte zařízení dodávající vzduch
Nářadí suché, nedostatečné mazání	Nářadí suché, nedostatečné mazání	Použijte mazivo na pneumatické nářadí značky BOSTITCH
Prasklá pružina víčka válce	Prasklá pružina víčka válce	Vyměňte pružinu víčka válce
O-kroužek/těsnění prasklé nebo poškozené	O-kroužek/těsnění prasklé nebo poškozené	Vyměňte O-kroužek/těsnění
Neprůchodný výstup	Neprůchodný výstup	Zkontrolujte doraz pístu, pružinu hlavního ventilu, tlumič
Sestava spouště opotřebená/netěsná	Sestava spouště opotřebená/netěsná	Vyměňte sestavu spouště
Rukávec válce není správe usazen na spodním nárazníku	Rukávec válce není správe usazen na spodním nárazníku	Demontujte a opravte
Hlavní ventil suchý	Hlavní ventil suchý	Demontujte/namažte
O-kroužek prasklý nebo poškozený	O-kroužek prasklý nebo poškozený	Vyměňte O-kroužek
O-kroužek/těsnění prasklé nebo poškozené	O-kroužek/těsnění prasklé nebo poškozené	Vyměňte O-kroužek/těsnění
O-kroužek nebo ploché těsnění prasklé nebo poškozené	O-kroužek nebo ploché těsnění prasklé nebo poškozené	Vyměňte O-kroužek nebo ploché těsnění
Nárazník prasklý/opotřebený	Nárazník prasklý/opotřebený	Vyměňte nárazník
Poškozené ploché těsnění nebo těsnění	Poškozené ploché těsnění nebo těsnění	Vyměňte ploché těsnění nebo těsnění
Prasklý/opotřebený nárazník hlavního ventilu	Prasklý/opotřebený nárazník hlavního ventilu	Vyměňte nárazník
Uvolněné šrouby víčka	Uvolněné šrouby víčka	Utáhněte a znovu zkontrolujte
Opotřebený nárazník	Opotřebený nárazník	Vyměňte nárazník
Omezení dodávky vzduchu, nedostatečné proudění vzduchu přes rychlospojku a vsuvku nástroje	Omezení dodávky vzduchu, nedostatečné proudění vzduchu přes rychlospojku a vsuvku nástroje	Vyměňte rychlospojku/vsuvku

PROBLÉM	PŘÍČINA	NÁPRAVA
GB Not to be reproduced without permission for CE compliance for the products.	Opotřebený O-kroužek pístu (je-li instalován)	Vyměňte O kroužek, zkontrolujte nářadí
FR Reproduction interdite sans permission préalable. Les copies non autorisées de ce document ne signifient en rien que les produits soient conformes aux normes CE.	Nářadí suché, nedostatečné mazání Poškozená pružina tlačného zařízení	Použijte mazivo na pneumatické nářadí značky BOSTITCH Vyměňte pružinu
DE Vervielfältigung nicht ohne Genehmigung zulässig. Unzulässig erstellte Kopien dieses Dokuments erfüllen nicht die CE-Richtlinien für Produkte.	Nízký tlak vzduchu	Zkontrolujte systém přívodu vzduchu do nářadí
NL Mag niet worden vemenigvuldigd zonder toestemming. Onrechtmatige kopieën van dit document willen niet zeggen dat de producten voldoen aan de CE-voorschriften.	Uvolněné šrouby nosu zásobníku	Utáhněte všechny šrouby
DK Må ikke gengives uden tilladelse. Dette er en kopi af dette dokument og må ikke overholdelse for produkterne.	Spony/hřebíky jsou pro nářadí příliš krátké	Používejte pouze doporučené spony/hřebíky
EL Είς απαγορεύεται η αναπαραγωγή χωρίς προηγούμενη άδεια. Τα μη εξουσιοδοτημένα αντίγραφα του παρόντος εγγύησής δεν αποτελούν συμμόρφωση με τα προϊόντα CE.	Ohnuté spony/hřebíky Nevhodná velikost spon/hřebíků	Přestaňte používat tento typ spon/hřebíků Používejte pouze doporučené spony/hřebíky
IT Vietata la riproduzione senza permesso. È vietata di questo documento non garantiscono la conformità CE per i relativi prodotti.	Netěsné ploché těsnění víčka hlavy	Utáhněte šrouby/vyměňte ploché těsnění
NO Skal ikke reproduseres uten tillatelse. Dette er en kopi av dette dokumentet og kan ikke kravene for CE-merking for produktet.	O-kroužek ventilu spouště prasklý/poškozený	Vyměňte O-kroužek
PT Reprodução proibida sem autorização. Este documento não é autorizado para ser reproduzido sem conformidade com a CE para os produtos.	Prasklý/odštipnutý úderník	Vyměňte úderník (zkontrolujte O-kroužek pístu)
ES Prohibida la reproducción sin permiso. Las copias no autorizadas de este documento no suponen la conformidad con las normas CE de los productos.	Suchý/znečištěný zásobník	Vyčistěte/namažte – použijte mazivo na pneumatické nářadí značky BOSTITCH
SE Prohibida la reproducción sin permiso. Este documento no es autorizado para ser reproducido sin conformidad con las normas CE de los productos.	Opotřebený zásobník Zaseknuté sponky v nářadí	Zásobník vyměňte Vyměňte nos, zkontrolujte dvířka
PL Niniejszy dokument nie może być kopiowany bez pozwolenia. Nieautoryzowane kopie niniejszego dokumentu nie stanowią deklaracji zgodności CE prezentowanych produktów.	Nevhodná velikost spon/hřebíků Ohnuté spony/hřebíky	Používejte pouze doporučené spony/hřebíky Přestaňte používat tento typ spon/hřebíků
CZ Niniejszy dokument nie może być kopiowany bez pozwolenia. Nieautoryzowane kopie niniejszego dokumentu nie stanowią deklaracji zgodności CE prezentowanych produktów.	Uvolněné šrouby zásobníku/nosu	Utáhněte všechny šrouby
SK Rozmnožovanie bez povolenia je zakázané. Neoprávnené kópie tohto dokumentu nie sú v súlade s CE pre dané výrobky.	Prasklý/odštipnutý úderník	Vyměňte úderník (zkontrolujte O-kroužek pístu)

SK Rozmnožovanie bez povolenia je zakázané. Neoprávnené kópie tohto dokumentu nie sú v súlade s CE pre dané výrobky.

HU A dokumentum engedély nélkül nem sokszorosítható. Az engedély nélkül sokszorosított dokumentum nem jelenti a termék CE-megfelelőségét.

RO Reproducerea neautorizată este interzisă. Copiile neautorizate ale acestui document nu reprezintă conformitatea CE pentru produse.

# ⚠ BEZPEČNOSTNÁ A PREVÁDZKOVÁ PRÍRUČKA



PRED ZAČATÍM POUŽÍVANIA TOHTO NÁSTROJA BY SI VŠETCI OPERÁTORI MALI PREČITAŤ TÚTO PRÍRUČKU A TECHNICKÉ

ÚDAJE O NÁSTROJI, ABY SA OBOZNÁMILI S BEZPEČNOSTNÝMI VAROVANIAMÍ A POKYNNMI A DODRŽIAVALI ICH. TENTO NÁVOD UCHOVÁVAJTE SPOLU S NÁSTROJOM PRE PRÍPAD POTREBY V BUDÚCNOSTI. AK MÁTE AKÉKOLVEK OTÁZKY, OBRÁŤTE SA NA ZÁSTUPCU ALEBO DISTRIBÚTORA SPOLOČNOSTI BOSTITICH.

PRED ZAČATÍM POUŽÍVANIA TOHTO NÁSTROJA SI PREČÍTAJTE TABUĽKU S ÚDAJMI O NÁSTROJI (STĽEPC L) V PRÍRUČKE S TECHNICKÝMI ÚDAJMI, ABY STE DOKÁZALI IDENTIFIKOVAŤ PREVÁDZKOVÝ SYSTÉM NÁSTROJA.

**Tieto nástroje na posun svoriek sú profesionálne nástroje.**

Dbajte na to, aby NEDOŠLO ku kontaktu detí s týmto nástrojom. Používanie tohto nástroja neskúsenými operátormi vyžaduje dohľad nad danou činnosťou.

- Malé deti a fyzicky slabé osoby. Tento prístroj nie je určený na používanie malými deťmi ani fyzicky slabými osobami bez dohľadu.
- Tento produkt nie je určený na používanie osobami (vrátane detí) so zníženými fyzickými, vnemovými alebo mentálnymi schopnosťami, nedostatkom skúseností, znalostí alebo zručností bez toho, aby na ne dohliadala osoba zodpovedná za ich bezpečnosť. Deti by nikdy nemali ostať samé s týmto produktom.
- Nástroj na posun svoriek by mali používať iba technicky zruční operátori.
- Nástroj na posun svoriek žiadnym spôsobom neupravujte. Úpravy môžu znižovať účinnosť bezpečnostných opatrení a zvyšovať úroveň rizika pre operátora a okolostojace osoby.

Nástroje od spoločnosti BOSTITICH sú precízne zostavené a určené na vysokorychlostné a vysokobjemové svorkovanie. V prípade správneho a starostlivého používania sú veľmi spoľahlivé.

Na dosiahnutie najlepších výsledkov je rovnako, ako v prípade všetkých podobných nástrojov, potrebné dodržiavať pokyny výrobcu. Pred začatím používania tohto nástroja si prečítajte bezpečnostné varovania a upozornenia, a snažte sa im porozumieť. Pokyny na inštaláciu, prevádzku a údržbu je potrebné si dôkladne prečítať a súvisiace príručky je vhodné si odložiť pre

prípád potreby v budúcnosti. Poznámka: Vzhľadom na konkrétnu aplikáciu nástroja sa môžu vyžadovať ďalšie bezpečnostné opatrenia. Ak máte akékoľvek otázky týkajúce sa tohto nástroja a jeho používania, obráťte sa na zástupcu alebo distribútora spoločnosti BOSTITICH.

## ⚠ POZNÁMKA:

Nástroje od spoločnosti BOSTITICH sú skonštruované tak, aby zákazníkom poskytovali maximálnu úroveň spokojnosti a aby sa dosiahla maximálna úroveň výkonu v prípade ich používania so svorkami BOSTITICH, ktoré boli vyrobené presne podľa rovnakých striktných štandardov.

**Spoločnosť BOSTITICH nenesie zodpovednosť za výkon produktu v prípade, ak ktorýkoľvek z našich nástrojov použijete so svorkami alebo príslušenstvom, ktoré nespĺňa špecifické požiadavky týkajúce sa originálnych klincov, späť a príslušenstva od spoločnosti BOSTITICH.**

## OBMEDZENÁ ZÁRUKA

Spoločnosť BOSTITICH je presvedčená o vysokej kvalite svojich produktov a ponúka záruku pre profesionálnych používateľov takýchto produktov. Toto záručné vyhlásenie predstavuje dodatok a v žiadnom prípade neobmedzuje vaše zmluvné práva profesionálneho používateľa ani vaše zákonné práva súkromného neprofesionálneho používateľa. Táto záruka platí na územiach členských štátov Európskej únie a na európskych územiach voľného obchodu.

Ak sa produkt od spoločnosti BOSTITICH pokazí v dôsledku chybných materiálov alebo spracovania do 12 mesiacov od dátumu nákupu, spoločnosť BOSTITICH poskytne záruku na to, že bezplatne vymení všetky chybné súčasti, alebo – na základne vlastného uváženia – bezplatne vymení celú jednotku za predpokladu, že:

- Tento produkt sa nepoužíval nesprávnym spôsobom
- Tento produkt je bežným spôsobom opotrebovaný (hnacie čepele, tlmíče a tesniace krúžky sa považujú za súčasti, ktoré sa bežne opotrebovávajú a sú z tohto ustanovenia vylúčené)
- Opravy nevykonávali neoprávnené osoby
- K dispozícii je nákupný doklad
- Produkt je vrátený v úplnom stave so všetkými originálnymi súčastami
- Produkt je vrátený na náklady odosielajúceho spolu s dokladom o nákupe do našej oblastnej opravovne alebo autorizovaného záručného centra.

Ak chcete predložiť reklamáciu, obráťte sa na predajcu alebo vyhľadajte najbližšie servisné stredisko

spoločnosti BOSTITCH v katalógu spoločnosti BOSTITCH, alebo použite adresu spoločnosti BOSTITCH uvedenú v tejto príručke.

## ŠPECIÁLNE REFERENCIE

V tomto nástroji sa môžu používať iba svorky, ktoré sú uvedené v prevádzkových pokynoch (prečítajte si technické údaje o nástroji). Tento nástroj a určené svorky je z hľadiska bezpečnosti potrebné považovať za jeden celistvý bezpečnostný systém.

Pred začatím používania na poškodených, neupravených alebo opotrebovaných materiáloch vždy nástroj najprv skontrolujte.

Opravy môžu vykonávať iba autorizovaní zástupcovia spoločnosti BOSTITCH alebo iní odborníci, ktorí budú prihliadať na bezpečnostné, prevádzkové a údržbové pokyny v tejto príručke, obsah príručky ku špecifickému nástroju a na technické údaje o nástroji.

**Poznámka:** Odborníci sú tie osoby, ktoré na základe odborného školenia alebo skúseností nadobudli dostatočné skúsenosti v oblasti nástrojov na posun svoriek a dokážu zhodnotiť bezpečný stav nástrojov na posun svoriek.

Stojany alebo úpinacie prostriedky na montáž nástroja k podpere (napríklad pracovný stôl) musia byť výrobcom stojana navrhnuté a skonstruované tak, aby boli nástroje na posun svoriek bezpečne upevnené vzhľadom na účel ich použitia a aby nedošlo k poškodeniu, deformácii alebo nežiaducemu posunu.

## ⚠ BEZPEČNOSTNÉ POKYNY



Operátor nástroja a iné osoby v oblasti výkonu práce by vždy mali používať **OCHRANU ZRAKU** poskytujúcu ochranu pred letiacimi časticami SPREDU aj ZBOKU počas nabíjania, prevádzky alebo servisu tohto nástroja. Ochrana zraku sa vyžaduje na ochranu pred letiacimi svorkami a nečistotami, ktoré môžu spôsobiť vážne zranenie oka. Zamestnávateľ alebo používateľ musia zabezpečiť používanie vhodnej ochrany zraku.

Je potrebné používať ochranu zraku vykazujúcu súlad so smernicou 89/686/EHS a rovnakou alebo vyššou úrovňou ochrany, akú uvažda norma EN166. Počas výberu osobných ochranných prostriedkov je však potrebné prihliadať aj na všetky typy práce operátora, prostredie a ďalšie typy používaných strojných zariadení.



**UPOZORNENIE:** V niektorých prostrediach sa môže vyžadovať prijatie **ĎALŠÍCH BEZPEČNOSTNÝCH OCHRANNÝCH OPATRENÍ**. Oblasť výkonu práce môže napríklad zahŕňať expozíciu voči vysokým hladinám hluku, ktorá môže viesť k poškodeniu sluchu. Zamestnávateľ a používateľ by mali zabezpečiť poskytnutie požadovaných prostriedkov na ochranu sluchu a ich používanie operátormi a ostatnými osobami na mieste výkonu práce. V niektorých prostrediach sa vyžaduje používanie zariadení na ochranu hlavy. Keď sa takáto ochrana vyžaduje, zamestnávateľ a používateľia musia dbať na jej používanie.

## HLUKOVÉ RIZIKÁ

- Nechránená expozícia voči vysokým hladinám hluku môže spôsobiť trvalú stratu sluchu a ďalšie problémy, ako napríklad pocit hluku v ušiach (zvonenie, bzučanie, pískanie alebo iné rušivé elementy v ušiach).
- Základným prístupom v takomto prípade je hodnotenie rizika a implementácia príslušných opatrení na reguláciu uvedených rizík.
- Vhodným opatrením na obmedzenie rizika môže byť napríklad používanie tlmiacich materiálov, aby sa obmedzila úroveň hlučnosti obrobkov.
- Používajte vhodnú ochranu sluchu.
- Tento nástroj používajte a jeho údržbu vykonávajte v súlade s odporúčaniami uvedenými v tomto návode, aby nedochádzalo k nežiaducemu nárastu hladiny hluku.

- Ak má nástroj tlmíč, dbajte na to, aby bol počas používania nástroja nainštalovaný a v dobrom prevádzkovom stave.

## RIZIKÁ VIBRÁCIE

- Dôležitým bodom je získanie požadovaných informácií na realizáciu hodnotenia týchto rizík a implementácia vhodných opatrení.
- Expozícia voči vibráciám môže spôsobiť vážne poškodenie nervov a narušiť tok krvi do horných končatín.
- Keď pracujete v studenom prostredí, používajte teplé oblečenie a dbajte na to, aby ste mali teplé a suché ruky.

• Ak v prstoch alebo rukách pocítite strnulosť, chvenie, bolesť alebo vám pokožka prstov alebo rúk zbledie, obráťte sa na lekára so skúsenosťami z oblasti chorôb z povolania.

• Tento nástroj používajte a jeho údržbu vykonávajte v súlade s odporúčaniami uvedenými v tomto návode, aby nedochádzalo k nežiaducemu nárastu hladiny vibrácií.

• Nástroj držte zľahka ale bezpečne, pretože riziko ochorenia spôsobeného vibráciami je vo všeobecnosti vyššie v prípade, ak je sila uchopenia väčšia.

## ⚠ BEZPEČNOSTNÉ POKYNY – PRÍVOD VZDUCHU A PRIPOJENIA



Nepoužívajte kyslík ani horľavé plyny ako energetický zdroj pneumaticky ovládaných nástrojov.

Nepoužívajte plyny v tlakových fľašiach ani prívod vzduchu, ktorého maximálny tlak vo vedení môže presahovať maximálny tlak uvedený v príručke ku špecifickému nástroju – v opačnom prípade môže nástroj prasknúť a výsledkom môže byť osobné zranenie. Ak maximálny tlak prívodu vzduchu presahuje tieto úrovne tlaku, do vedenia prívodu vzduchu je potrebné nainštalovať tlakový poistný ventil s následným bezpečnostným ventilom.

• Neťahajte spúšť ani nestláčajte bezpečnostný strmeň počas pripájania k prívodu vzduchu. Nástroj sa môže cyklicky aktivovať a výsledkom môže byť osobné zranenie.

• Počas odpájania prívodu vzduchu nesmie byť konektor na nástroj pod tlakom. Ak použijete nesprávnu spojku, nástroj môže po odpojení ostať pod tlakom (vzduchu) a bude môcť posúvať svorky aj po odpojení vzduchového vedenia – v takomto prípade hrozí riziko zranenia.

• Vždy odpojte prívod vzduchu: 1) Pred vykonávaním úprav nastavenia 2) Počas servisu nástroja 3) Počas odstraňovania zaseknutia 4) Keď nástroj nepoužívate 5) Keď sa premiestňujete do inej oblasti výkonu práce, keďže hrozí riziko náhodného spustenia a výsledného zranenia.

## ⚠ BEZPEČNOSTNÉ POKYNY – NABÍJANIE NÁSTROJA

Keď nabíjate nástroj: 1) Nikdy neumiestňujte ruku ani inú časť tela do oblasti výstupu svoriek z nástroja 2) Nikdy nemerierte nástrojom na seba ani na žiadnu

inú osobu 3) Neťahajte spúšťač ani netlačte bezpečnostný strmeň – v opačnom prípade hrozí riziko náhodného spustenia a možného zranenia.

**Poznámka: Špecifické pokyny na nabíjanie a informácie o rozmeroch odporúčaných svoriek nájdete v osobitnej príručke s technickými údajmi o nástroji.**

## ⚠ BEZPEČNOSTNÉ POKYNY – POUŽÍVANIE NÁSTROJA

• S nástrojom vždy zaobchádzajte obozretne: 1) Vždy sa sústreďte iba na prácu 2) Nikdy neťahajte spúšť, keď hlava nástroja nie je namierená na pracovnú oblasť 3) Dbajte na to, aby sa počas výkonu práce zdržiavali iné osoby v bezpečnej vzdialenosti – hrozí riziko náhodného spustenia a výsledného zranenia.

• Operátor nesmie držať potiahnutú spúšť na nástrojoch vybavených bezpečnostným strmeňom (niekedy sa nazývajú ako bezpečnostné poistky) v výnimkou samotného svorkovania, pretože v prípade kontaktu bezpečnostného strmeňa s osobou/predmetom dôjde k cyklickej aktivácii nástroja, výsledkom čoho môže byť vážne zranenie.

• Ruky a telo uchovávajúte v bezpečnej vzdialenosti od výtláčnej oblasti nástroja. Nástroj vybavený bezpečnostným strmeňom môže v dôsledku aktivácie posunu svorky získať spätný ráz a výsledkom môže byť posun druhej svorky a možné zranenie.

• Pravidelne kontrolujte funkčnosť mechanizmu bezpečnostného strmeňa. Nástroj nepoužívajte, ak rameno nefunguje správne, v opačnom prípade hrozí riziko posunu svorky. Žiadnym spôsobom neupravujte činnosť správne fungujúceho mechanizmu bezpečnostného strmeňa.

• Neumiestňujte svorky nad iné svorky – v opačnom prípade môže dôjsť k vychýleniu svorky a možnému zraneniu.

• Neumiestňujte svorky do blízkosti okraja obrobku, pretože drevo sa môže odštiepiť a svorka vychýliť, výsledkom čoho môže byť zranenie.

• Pri práci sa nadmerne nenatáhujte. Nástroj používajte výlučne na bezpečnom mieste výkonu práce. Zaujmite správnu pozíciu a dbajte na telesné vyváženie.

• Dbajte na to, aby boli okolostojace osoby v bezpečnej vzdialenosti (počas práce na miestach, na ktorých existuje riziko prítomnosti veľkého počtu ľudí). Zreteľne vyznačte miesto výkonu práce.

• Vždy používajte druhú rukoväť (ak sa dodáva).

• Používajte výlučne také rukavice, ktoré poskytujú možnosť pohodlného ovládania spúšťa zariadenia na úpravu nastavenia.

• Počas prevádzky môže dochádzať k výtlaku nečistôt z obrobku a systému svorkovania/obehového systému.

• V prípade nástrojov, ktoré nedochádzajú do kontaktu s obrobkom, postupujte opatrne – v opačnom prípade hrozí riziko neúmyselnej aktivácie nástroja a zranenia operátora/okolostojacích osôb.

• Dbajte na riadne priloženie nástroja na obrobok a na to, aby sa nástroj nešmykal.

• Zachovávajte vyváženú polohu tela a pevný postoj.

• Je nevyhnutné používať vhodné bezpečnostné okuliare a odporúčame používať vhodné rukavice a ochranný odev.

## ⚠ BEZPEČNOSTNÉ POKYNY – ÚDRŽBA NÁSTROJA

Keď pracujete s pneumatickými nástrojmi, prečítajte si výstrahy uvádzané v tejto príručke, pokyny špecifické pre daný nástroj a pokyny uvedené na samotnom nástroji, a počas hodnotenia problematických nástrojov postupujte mimoriadne opatrne.

## ⚠ PRÍVOD VZDUCHU A PRIPOJENIA

Počas pripájania nástrojov k prívodu vzduchu je potrebné namieriť oblasť výtlaku svoriek smerom od operátora a iných osôb v pracovnej oblasti. Umiestnite výtláčnu oblasť nástroja nad testovací materiál postačujúcej hrúbky, ktorý absorbuje rozmery používanej svorky. Končatiny a telo majte v bezpečnej vzdialenosti od výtláčnej oblasti nástroja, teraz môžete pripojiť prívod vzduchu.

Na zabránenie náhodnému spusteniu a možnému zraneniu vždy odpojajte prívod vzduchu:

1. Pred vykonávaním úprav nastavenia.
2. Počas servisu nástroja.
3. Počas odstraňovania zaseknutia.
4. Keď nástroj nepoužívate.
5. Keď sa premiestňujete do inej pracovnej oblasti, keďže hrozí riziko náhodného spustenia a možného zranenia.

• Kompresory musia mať požadovaný výkon na zaistenie dostatočného tlaku a volumetrického prietoku vzhľadom na predpokladané použitie. Poklesy

tlaku v prívide vzduchu môžu znižovať hnaciu silu nástroja. Informácie o nastavení správneho tlaku nástroja nájdete v technických údajoch o nástroji.

• Priemyselné vzduchové vedenia by mali byť uložené v stupíni s najvyšším bodom v čo najmenšej vzdialenosti od kompresora. V najnižších bodoch by mali byť nainštalované jednoducho dostupné odľučovače vody – vodu vypúšťajte najmenej každý deň (alebo častejšie, ak sa to vyžaduje). Nečistoty a voda v prívide vzduchu sú hlavnou príčinou opotrebovania pneumatických nástrojov. Body pripojenia nástroja by mali byť osadené filtrom/regulátorom/servisnou jednotkou priamo na bode pripojenia. Filter slúži ako pomôcka na získanie najlepšieho výkonu a minimalizáciu opotrebovania. Filter musí mať dostatočnú kapacitu prietoku vzhľadom na špecifickú inštaláciu. Filter musí byť čistý, aby sa zachovala jeho účinnosť poskytovania čistého vzduchu do nástroja. Informácie o správnej údržbe filtra nájdete v návode na údržbu od výrobcu. Znečistený a upchatý filter spôsobuje pokles tlaku, ktorý obmedzuje funkčnosť nástroja.

• Odbočky z priemyselných vzduchových vedení by mali byť v hornej časti vzduchového vedenia.

• Menovitá hodnota prevádzkového tlaku vzduchových hadíc by mala byť najmenej 10,6 baru alebo 150 % maximálneho tlaku, ktorý je možné dosiahnuť vo vzduchovom systéme. Prívodná hadica by mala obsahovať rýchlospojku na odpojenie zo zásuvného konektora nástroja.

• Dbajte na to, aby tlak privádzaný do nástroja nepresahoval maximálny povolený prevádzkový tlak, ktorý sa označuje aj ako „ps max.“ (prečítajte si technické údaje o nástroji). Na začiatok nastavte tlak prívodu na najnižšiu odporúčanú hodnotu prevádzkového tlaku (prečítajte si technické údaje o nástroji).

• Skontrolujte správnosť fungovania nástroja – priložte hrdlo ku kúsku starého dreva a raz alebo dvakrát potiahnite spúšť.

## MAZANIE

• Na dosiahnutie požadovaného maximálneho výkonu sa vyžaduje časté, ale nie nadmerné mazanie. Olej nalievaný cez pripojenie vzduchového vedenia namaže vnútorné časti. Podrobné informácie o správnom mazive nájdete v technických údajoch o nástroji. Nepoužívajte detergentné oleje ani aditíva, pretože tieto mazivá spôsobujú nadmerné opotrebovanie tesnení a tlmivcu nástroja, výsledkom



čoho bude obmedzená funkčnosť nástroja a potreba častej údržby nástroja.

• Ak sa nepoužíva žiadne mazivo vo vzduchovom vedení, raz alebo dvakrát denne pridajte olej počas používania do vzduchovej prípojky nástroja. Naraz sa vyžaduje pridanie iba niekoľkých kvapiek oleja (3–5). Príliš mnoho oleja sa zhromažďí vnútri nástroja a prítomnosť oleja zbadáte aj vo výfukovom cykle.

• Používanie v chladnom počasí. – V prípade používania v chladnom počasí, v blízkosti bodu mrazu alebo v mraze môže vlhkosť vo vzduchovom vedení zamrznúť a nástroj môže prestať fungovať. Odporúčame, aby ste ako mazivo do chladného počasía používali mazivo na pneumatické nástroje BOSTITCH Winter Formula alebo nemrznúcu zmes (etylénglykol).

**Upozornenie** – na zabránenie tvorbe námrazy alebo ľadu na prevádzkových ventiloch alebo mechanizmoch, ktoré môžu spôsobiť zlyhanie nástroja, neuchovávajte nástroj v prostredí s chladným počasím.

**Poznámka:** Niektoré komerčné sušiacie kvapaliny do vzduchových vedení poškadzujú tesniace krúžky a tesnenia – bez kontroly kompatibility nepoužívajte tieto sušiacie produkty do vzduchových vedení.

## ▲ POUŽIVANIE

**Operátor nástroja a iné osoby v oblasti výkonu práce by vždy mali používať OCHRANU ZRAKU** poskytujúcu

ochranu pred letiacimi časticami **SPREDU** aj **ZBOKU** počas nabíjania, prevádzky alebo servisu tohto nástroja. Ochrana zraku sa vyžaduje na ochranu pred letiacimi svorkami a nečistotami, ktoré môžu spôsobiť vážne zranenie oka. Zamestnávateľ alebo používateľ musia zabezpečiť používanie vhodnej ochrany zraku.

Prostriedky na ochranu zraku musia poskytovať čelnú aj bočnú ochranu. **Poznámka:** Okuliare bez bočného krytia a tvárové masky neposkytujú požadovanú ochranu.

▲ **VAROVANIE!** Ak vám nástroj spadol alebo máte podozrenie na jeho poškodenie, vykonajte kontrolu funkčnosti nástroja podľa pokynov v časti o kontrole funkčnosti nástroja.

## ZABRÁNENIE NÁHODNÝM ZRANENIAM:

- Nikdy nekladte ruku ani inú časť tela do oblasti výtlaku svoriek v prípade, ak je pripojený prívod vzduchu.
- Nikdy nemierte nástrojom na inú osobu.
- Vždy sa sústreďte iba na prácu.
- Nikdy netahajte spúšť, keď hrdlo nástroja nie je namierené na obrobok.
- S nástrojom vždy zaobchádzajte obozretne.
- Netahajte spúšť ani nestláčajte bezpečnostný strmeň počas nabíjania nástroja.

**TYPY PREVÁDZKY:** Zariadenie od spoločnosti BOSTITCH ponúka SEDEM typov prevádzky:

Typ prevádzky	Odkaz na príručku k nástroju	Bezpečnostný strmeň /bezpečnostná poistka
REŽIM KONTAKTNÉHO SPÚŠŤANIA	1	✓
REŽIM ČIASTOČNÉHO SEKVENČNÉHO SPÚŠŤANIA	2	✓
REŽIM ÚPLNÉHO SEKVENČNÉHO SPÚŠŤANIA	2A	✓
OVĽADANIE POMOCCU SPÚŠTE	3	✗
PREVÁDZKA V REŽIME KONTINUÁLNEHO KONTAKTNÉHO SPÚŠŤANIA	4	✓
PREVÁDZKA POMOCCU KONTINUÁLNEJ SPÚŠTE ALEBO AUTOMATICKÁ PREVÁDZKA	5	✗
REŽIM VOLITELNÉHO SPÚŠŤANIA	6	✓

SK

## NÁSTROJE BEZ BEZPEČNOSTNÉHO STRMEŇA (OZNAČUJE SA AJ AKO BEZPEČNOSTNÁ POISTKA)

– k dispozícii sú **dva** typy prevádzky:



### REŽIM KONTAKTNÉHO SPŮŠŤANIA (ČIERNA SPŮŠŤ)

(odkaz 1 v tabuľke s technickými  
údajmi, stĺpec L(a))

Bežný pracovný postup s nástrojmi s kontaktným spúšťaním alebo spúšťaním nárazom je spustenie bezpečnostného spínača so súčasnou aktiváciou spúšťača, t. j. svorka sa posunie po každom kontakte s materiálom. To umožňuje rýchle umiestnenie svorky v rámci mnohých druhov prác (napríklad zostavovanie debnení a paliet). Všetky pneumatické nástroje vykazujú počas posunu svoriek spätný náraz. Nástroj sa môže odraziť, bezpečnostný strmeň sa uvoľní a ak dôjde k neúmyselnému kontaktu s povrchom materiálu so spusteným spúšťačom (prstom stlačený spúšťač), dôjde k nežiaducemu posunu ďalšej svorky.

### OVĽADANIE SPŮŠŤOU

(odkaz 3 v tabuľke s technickými údajmi, stĺpec L(a))

Model ovládaný spúšťou sa cyklicky spúšťa iba aktiváciou spúšte. Tento model nemá bezpečnostný strmeň a je určený na používanie iba v takých prípadoch, v ktorých bezpečnostný strmeň NIE JE. MOŽNÉ použiť na splnenie požiadaviek aplikácie. Funkčný cyklus nástroja ovládaného spúšťou prebehne po každej aktivácii spúšte.

### OVĽADANIE POMOCOU KONTINUÁLNEJ SPŮŠŤE ALEBO „AUTOMATICKÁ PREVÁDZKA“

(odkaz 5 v tabuľke s technickými údajmi, stĺpec L(a)).

Model ovládaný pomocou kontinuálnej spúšte umožňuje opakovať cykly posunu počas celej doby aktivácie spúšte. Tento model nemá bezpečnostný strmeň a je určený na používanie iba v takých prípadoch, v ktorých bezpečnostný strmeň nie je možné použiť na splnenie požiadaviek aplikácie.

## NÁSTROJE S BEZPEČNOSTNÝM STRMEŇOM (OZNAČUJE SA AJ AKO BEZPEČNOSTNÁ POISTKA)

– k dispozícii je **päť** typov prevádzky:

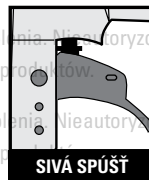
Všetky nástroje s bezpečnostným strmeňom sú označené invertovaným rovnostranným trojuholníkom (t). Nepokúšajte sa tento nástroj týmto spôsobom používať, ak bezpečnostný strmeň chýba alebo je zjavne poškodený.

Väčšina nástrojov je vybavená bezpečnostným strmeňom, ktorý sa normálne nachádza vo vysunutej alebo dolnej polohe (odkaz 1 v tabuľke s technickými údajmi, stĺpec L(b)). Niektoré nástroje sú vybavené bezpečnostným strmeňom, ktorý sa normálne nachádza v stlačenej alebo hornej polohe (odkaz 2 v tabuľke s technickými údajmi, stĺpec L(b)). Úplne pokyny týkajúce sa tejto funkcie nájdete v príručke s technickými údajmi o nástroji.



⚠ **VAROVANIE!** Nástroje označené týmto symbolom majú kontaktné spúšťanie, kontinuálne kontaktné spúšťanie alebo voliteľné spúšťanie.

Tieto nástroje sú určené na používanie v rámci výrobných aplikácií (napríklad výroba paliet, nábytku, výroba krytov alebo čalúnenie). **Tento nástroj NEPOUŽÍVAJTE** s kontaktným spúšťaním pri aplikáciách, ako je zatváranie škatúl alebo debien a montáž bezpečnostných prepravných systémov na prívesy a nákladné vozidlá. Tento nástroj sa môže používať iba v bezpečných pracovných priestoroch. Keď meníte pracovnú polohu, postupujte opatrne, aby nedošlo k náhodnému spusteniu.



### SEKVENČNÉ SPŮŠŤANIE – 2 TYPY (SIVÁ SPŮŠŤ):

**TYP 1: ČIASTOČNÝ SEKVENČNÝ  
REŽIM SPŮŠŤANIA**  
(odkaz 2 v tabuľke s technickými  
údajmi, stĺpec L(a))

Čiastočný sekvenčný režim spúšťania vyžaduje od operátora, aby držal nástroj prítlačenej k materiálu so stlačeným bezpečnostným strmeňom pred tým, než stlačí spúšť. Na posun ďalších svoriek je potrebné uvoľniť a znova stlačiť spúšť, aby nástroj fungoval. Nástroj bude fungovať po každom stlačení spúšte, keď bude prítlačenej k materiálu.



B) Priložte hrdlo nástroja na pracovný povrch.

C) Potiahnutím spúšte posuňte svorku. Po uvoľnení spúšte sa cyklus dokončí.

**UPOZORNENIE:** Funkčný cyklus nástroja prebehne po každom potiahnutí spúšte. Les produits doivent être conformes aux normes CE.

### NÁSTROJ OVLÁDANÝ POMOCOU KONTINUÁLNEJ SPÚŠTE ALEBO NÁSTROJ S AUTOMATICKOU PREVÁDZKOU

A) Zložte prst zo spúšte a riadne uchopte nástroj za rukoväť.

B) Priložte hrdlo nástroja na pracovný povrch.

C) Potiahnite spúšť a posuňte nástroj zo strany na stranu alebo dozadu/dopredu. Funkčný cyklus nástroja bude aktívny až do uvoľnenia spúšte.

**UPOZORNENIE:** Dbajte na to, aby bol nástroj riadne priložený na pracovný povrch a aby počas práce nedošlo k posunu nástroja k okrajom pracovného povrchu. V opačnom prípade hrozí vytlačenie svorky do vzduchu a riziko možného zranenia. La copie non autorizzata di questo documento non garantisce la conformità CE per i relativi prodotti.

### PREVÁDZKA V REŽIME KONTAKTNÉHO SPÚŠŤANIA

A) Zložte prst zo spúšte a priložte bezpečnostný strmeň na pracovný povrch. **NÁSTROJ NESMIE CYKLOVAŤ.**

B) Podržte nástroj mimo pracovného povrchu a bez mierenia nástroja na seba alebo iné osoby potiahnite spúšť. **NÁSTROJ NESMIE CYKLOVAŤ.**

C) Podržte nástroj mimo pracovného povrchu a potiahnite spúšť. Priložte bezpečnostný strmeň na pracovný povrch. **NÁSTROJ MUSÍ CYKLOVAŤ.**

D) Bez toho, aby ste sa dotkli spúšte, priložte bezpečnostný strmeň na pracovný povrch a potom potiahnite spúšť. **NÁSTROJ MUSÍ CYKLOVAŤ.**

### PREVÁDZKA S ČIASTOČNÝM SEKVENČNÝM SPÚŠŤANÍM

A) Nedotýkajte sa spúšte a priložte bezpečnostný strmeň na pracovný povrch. **NÁSTROJ NESMIE CYKLOVAŤ.**

B) Podržte nástroj mimo pracovného povrchu a bez mierenia nástroja na seba alebo iné osoby potiahnite spúšť. **NÁSTROJ NESMIE CYKLOVAŤ.**

C) Podržte nástroj mimo pracovného povrchu a potiahnite spúšť. Priložte bezpečnostný strmeň na pracovný povrch. **NÁSTROJ NESMIE CYKLOVAŤ.**

D) Bez toho, aby ste sa dotkli spúšte, priložte bezpečnostnú poistku na pracovný povrch a potom potiahnite spúšť. **NÁSTROJ MUSÍ CYKLOVAŤ.**

E) S priloženou bezpečnostnou poistkou k pracovnému povrchu znova potiahnite spúšť. **NÁSTROJ MUSÍ CYKLOVAŤ.**

### PREVÁDZKA S ÚPLNÝM SEKVENČNÝM SPÚŠŤANÍM

A) Nedotýkajte sa spúšte a priložte bezpečnostný strmeň na pracovný povrch. **NÁSTROJ NESMIE CYKLOVAŤ.**

B) Podržte nástroj mimo pracovného povrchu a bez mierenia nástroja na seba alebo iné osoby potiahnite spúšť. **NÁSTROJ NESMIE CYKLOVAŤ.**

C) Podržte nástroj mimo pracovného povrchu a potiahnite spúšť. Priložte bezpečnostný strmeň na pracovný povrch. **NÁSTROJ NESMIE CYKLOVAŤ.**

D) Bez toho, aby ste sa dotkli spúšte, priložte bezpečnostnú poistku na pracovný povrch a potom potiahnite spúšť. **NÁSTROJ MUSÍ CYKLOVAŤ.**

E) S priloženou bezpečnostnou poistkou k pracovnému povrchu znova potiahnite spúšť. **NÁSTROJ NESMIE CYKLOVAŤ.**

### PREVÁDZKA V REŽIME KONTINUÁLNEHO KONTAKTNÉHO SPÚŠŤANIA:

A) Zložte prst zo spúšte a priložte bezpečnostný strmeň na pracovný povrch. **NÁSTROJ NESMIE CYKLOVAŤ.**

B) Podržte nástroj mimo pracovného povrchu a bez mierenia nástroja na seba alebo iné osoby potiahnite spúšť. **NÁSTROJ NESMIE CYKLOVAŤ.**

C) Podržte nástroj mimo pracovného povrchu a potiahnite spúšť. Prítlačte bezpečnostný strmeň k pracovnému povrchu a posuňte nástroj zo strany na stranu alebo dozadu/dopredu.

**NÁSTROJ MUSÍ CYKLOVAŤ A CYKLOVANIE MUSÍ POKRAČOVAŤ DOVTEDY, KÝM NEUVOLNÍTE SPÚŠŤ ALEBO KÝM NEZDVIHNETE NÁSTROJ Z PRACOVNÉHO POVRCHU.**

D) Bez toho, aby ste sa dotkli spúšte, prítlačte bezpečnostný strmeň na pracovný povrch a potom potiahnite spúšť.

**NÁSTROJ MUSÍ CYKLOVAŤ A CYKLOVANIE MUSÍ POKRAČOVAŤ DOVTEDY, KÝM NEUVOLNÍTE SPÚŠŤ ALEBO KÝM NEZDVIHNETE NÁSTROJ Z PRACOVNÉHO POVRCHU.**

produkerterne.

## POUŽÍVANIE NÁSTROJA

Po vykonaní kontroly správneho fungovania nástroja znova prítlačte hrdlo nástroja k obrobku a potiahnite spúšť. Overte, či sa svorka posunula podľa očakávania.

- Ak nie je svorka posunutá dostatočne hlboko, zvýšte hodnotu tlaku vzduchu o 0,5 baru (5 – 6 psi) a po každej úprave skontrolujte výsledok. Neprekračujte maximálny povolený prevádzkový tlak (prečítajte si technické údaje o nástroji).

- Ak je svorka posunutá príliš hlboko, znížte hodnotu tlaku vzduchu o 0,5 baru (5 – 6 psi) a po každej úprave skontrolujte výsledok. Nepokúšajte sa používať nižší než minimálny odporúčaný prevádzkový tlak (prečítajte si technické údaje o nástroji).

Vždy sa snažte pracovať s minimálnym možným tlakom vzduchu. Takto obmedzíte hluk a vibrácie, a predĺžite životnosť vnútorných súčastí (napríklad tmiča).

### NA DOSIAHNUTIE BEZPEČNEJ PREVÁDZKY DODRŽIAVAJTE OKREM INÝCH VAROVANÍ V TEJTO PRÍRÚČKE AJ NASLEDUJÚCE POKYNY:

- Považujte nástroj na pneumatické svorkovanie od spoločnosti BOSTITCH za pracovný nástroj. Nie je to hračka. Sústreďte sa iba na prácu.

- Pneumatický nástroj od spoločnosti BOSTITCH používajte iba v súlade so stanoveným účelom použitia.

- Tento nástroj nikdy nepoužívajte spôsobom, ktorý by spôsobil zacielenie svorky smerom na používateľa alebo iné osoby v pracovnej oblasti.

- Tento nástroj nepoužívajte ako kladivo.

- Nástroj vždy prenášajte za rukoväť. Nástroj nikdy neprenášajte za vzduchovú hadicu. Nástroj nikdy neprenášajte s aktivovanou spúšťou.

- Bez písomného súhlasu spoločnosti BOSTITCH nemeňte ani neupravujte tento nástroj tak, aby sa odlišoval od pôvodného dizajnu alebo pôvodnej funkcie

- Pamätajte, že nesprávne použitie a nesprávna manipulácia s nástrojom môžu viesť k zraneniu vašej osoby aj iných osôb.

- Spúšť ani bezpečnostný strmeň nikdy nesvorkujte ani neprilepujte do aktivovanej polohy.

- Nikdy nenechávajte nástroj s pripojenou vzduchovou hadicou bez dohľadu.

- Tento nástroj nepoužívajte, ak nie je označený čitateľným VÝSTRAŽNÝM ŠTÍTKOM.

- Nástroj, z ktorého uniká vzduch alebo ktorý správne nefunguje, nepoužívajte. Ak dochádza k problémom s funkčnosťou nástroja, obráťte sa na najbližšieho zástupcu spoločnosti BOSTITCH.

- Počas prevádzky držte nástroj takým spôsobom, aby nedošlo k žiadnym úrazom na hlave ani tele v prípade, ak sa spätný náraz nástroja zvýši v dôsledku poklesu tlaku vzduchu alebo v prípade nárazu na tvrdé oblasti obrobku.

- Nepracujte príliš blízko k rohom ani okrajom obrobku. Svorka sa môže zošmyknúť z obrobku a hrozi riziko zranenia.

- Keď budete prepravovať tento nástroj, najprv odpojte vzduchovú hadicu.

- Skontrolujte správnosť fungovania bezpečnostného strmeňa (ak tvorí súčasť výbavy) a spúšte.

- Nerozoberajte ani neblokujte žiadnu súčasť tohto nástroja – najmä pokiaľ ide o bezpečnostný strmeň.

- Neoslabujte konštrukciu nástroja (razením ani rytím).



- Nepoužívajte poškodené, popraskané alebo inak opotrebované vzduchové hadice ani spojky



- Neprenášajte nástroj za hadicu.

- Počas práce s pneumatickými nástrojmi postupujte opatrne, pretože nástroj sa môže ochladiť, čo má vplyv na uchopenie a ovládanie

## Riziká opakovaných pohybov

- Keď používate nástroj dlhšiu dobu, môžete pociťovať nepríjemné pocity v rukách, horných končatinách, ramenách, krku alebo v iných častiach tela.

Platia nasledujúce pravidlá:

- Počas používania nástroja by operátor mal zaujať vhodný a ergonomický postoj. Riadne sa postavte a vyhýbte sa strnulým alebo nevyváženým postojom.
- Ak pociťte nepríjemné pocity, akými sú napríklad pretrvávajúce alebo opakujúce sa nepohodlie, bolesť, pulzovanie, strnulosť, otupenosť, pocity pálenia alebo stuhnutosť, tieto varovné signály nepodceňujte.
- Operátor by sa mal poradiť s kvalifikovaným zdravotníckym pracovníkom o vhodnom vykonávaní príslušných činností.

## Riziká na pracovisku

- Najčastejšími príčinami úrazov na pracoviskách sú pošmyknutia, zakopnutia a pády. Oboznámte sa so šmyklavými povrchmi spôsobenými používaním nástroja a s rizikami zakopnutia spôsobenými vzduchovou hadicou.
- V neznámych prostrediach postupujte s rovnakou uvoľnenosťou. Hrozi riziko skrytých nebezpečenstiev (napríklad elektrické a iné vedenia).
- Tento nástroj nie je určený na používanie v potenciálne výbušnom prostredí a nie je izolovaný pred kontaktom s elektrickým prúdom.
- Overte, či sa v danom prostredí nenachádzajú elektrická káble, plynové vedenia ap., ktoré by mohli predstavovať nebezpečenstvo alebo ktoré by tento nástroj mohol poškodiť.

## Reziduálne riziká

Nasledujúce riziká súvisia s používaním týchto strojných zariadení:

- Zranenia spôsobené nesprávnou manipuláciou s nástrojom.
- Strata kontroly nad nástrojom v dôsledku slabého uchopenia nástroja
- Svalové napätie v horných končatinách a rukách (najmä počas práce nad hlavou). Keď s týmto nástrojom dlhodobo pracujete, robte si pravidelne prestávky.

Napriek aplikácii príslušných bezpečnostných nariadení a implementácii bezpečnostných zariadení nie je možné úplne eliminovať niektoré reziduálne riziká. Ide o nasledujúce riziká:

- Poškodenie sluchu
- Riziko osobného zranenia v dôsledku letiacich častíc
- Riziko popálenín v dôsledku zahrievania príslušenstva počas prevádzky
- Riziko osobného zranenia v dôsledku dlhodobého používania
- Strata kontroly spôsobená cyklickým nabíjaním
- Riziko zranenia spôsobené existenciou bodov možného priškripenia, ostrých okrajov a v dôsledku nesprávnej manipulácie s obrobkom
- Riziko zranenia spôsobené ostrými okrajmi počas výmeny klinecovej alebo vkladania klinecovej hlavy.

## EMISIE HLUKU (prečítajte si technické údaje o nástroji)

Charakteristické hodnoty hluku nástroja boli určené v súlade s normou EN 12549 – „Akustické údaje – Kódex testu hluku nástrojov na posun svoriek – Technická metóda“.

Tieto hodnoty sú hodnoty charakteristické pre nástroj a nepredstavujú údaje o generovaní hluku na mieste používania. Generovanie hluku na mieste používania závisí napríklad od pracovného prostredia, obrobku, podpery obrobku a počtu cyklických operácií posunu ap.

V závislosti od stavu pracoviska a formy obrobku bude pravdepodobne potrebné prijať opatrenia na zníženie úrovne hluku, akými napríklad sú umiestňovanie obrobkov na podpery s tlmením zvuku, zabránenie vibráciám obrobkov formou svorkovania alebo zakrytia, nastavenie minimálneho tlaku vzduchu požadovaného na vykonávanú činnosť ap.

## INFORMÁCIE O VIBRÁCIÁCH (prečítajte si technické údaje o nástroji)

Charakteristická hodnota vibrácie nástroja bola stanovená podľa normy ISO/WD 8662-11 „Meranie vibrácie ručných nástrojov – časť 11 Nástroje na posun svoriek“.

Táto hodnota je charakteristickou hodnotou nástroja a nepredstavuje vplyv na ruku a hornú končatinu počas používania nástroja. Vplyv na ruku/hornú končatinu počas používania nástroja závisí napríklad od sily uchopenia, kontaktnej sily, smeru práce, nastavenia prívodu stlačeného vzduchu, obrobku, podpery obrobku ap.

GB Not to be reproduced without permission. Unauthorised copies of this document do not constitute CE compliance for the products.

FR Reproduction interdite sans permission préalable. Les copies non autorisées de ce document ne signifient en rien que les produits soient conformes aux normes CE.

DE Vervielfältigung nicht ohne Genehmigung gestattet. Unzulässige gestellte Kopien dieses Dokuments erfüllen nicht die CE-Richtlinien für Produkte.

NL Mag niet worden vernenigvuldigd zonder toestemming. Unrechtmatige kopieën van dit document willen niet zeggen dat de producten voldoen aan de CE-vereisten.

DK Må ikke gengives uden tilladelse. Uautoriserede kopier af dette dokument udgør ikke CE-overholdelse for produkterne.

FI Ei saa julkentää ilman lupaa. Tämän asiakirjan ilman valtuutusta tehty kappale eivät muodosta CE-vaatimuksien täyttämistä.

GR Η παρούσα εγγραφή είναι αναπαραγωγή χωρίς προηγούμενη άδεια. Τα μη εξουσιοδοτημένα αντίγραφα του παρόντος εγγράφου δεν αποτελούν συμμόρφωση CE για τα προϊόντα.

A) Do vzduchového systému  
B) Hlavné vedenia (3 × vstupná veľkosť pneumatického nástroja)  
C) Do pneumatického nástroja  
D) Núdzový hradlový ventil  
E) Mazací mechanizmus  
F) Regulátor

G) Rozvetvené vedenie (2 × vstupná veľkosť pneumatického nástroja)  
H) Výpust  
I) Kompresor  
J) Filter

K) Spojka s vysokým objemom prietoku, 1/4" NPT  
L) Vzduchová hadica 3/8" (10 mm) vnútorný priemer (min.)

PT Reprodução proibida sem autorização prévia. As cópias não autorizadas deste documento não estão em conformidade com a CE para os produtos.

## UVEDENIE NÁSTROJA DO PREVÁDZKY

Jednotku vzduchového filtra (J) umiestnite medzi vzduchový kompresor a nástroj na vzduchové mazanie na získanie prívodu čistého vzduchu do nástroja. Voda a nečistoty môžu poškodiť pneumatické nástroje (prezrite si schému uvedenú vyššie).

• Používajte výlučne originálne náhradné diely od spoločnosti BOSTITCH. Nepoužívajte upravené diely ani diely, ktorých funkčnosť nie je porovnateľná s originálnou výbavou.

• Počas údržby nástroja dbajte na to, aby boli vnútorné súčasti čisté a namazané. Na všetky tesniace krúžky použite produkt Parker „O“-Lube alebo ekvivalentný produkt. Pred zostavením naneste na každý tesniaci krúžok produkt „O“-Lube. Na všetky pohyblivé časti a otočné diely naneste malé množstvo oleja. Po zostavení a pred začatím testovania pridajte cez vzduchové vedenie do systému niekoľko kvapiek maziva BOSTITCH Air Tool Lubricant.

## RIEŠENIE PROBLÉMOV A ÚDRŽBA

Prerady môžu vykonávať iba autorizovaní zástupcovia spoločnosti BOSTITCH alebo iní odborníci, ktorí budú postupovať na bezpečnostné, prevádzkové a údržbové pokyny v tejto príručke, obsah príručky ku špecifickému nástroju a na technické údaje o nástroji.

• Ďalšie pokyny, ktoré sa špecificky týkajú údržby tohto nástroja, nájdete v technických údajoch o nástroji.

• Pred začatím údržby alebo opravy odpojte nástroj od prívodu vzduchu a úplne vyprázdňte zásobník. Prečítajte si výstrahy uvádzané v tejto príručke (technické údaje o nástroji) a pokyny špecifické pre daný nástroj a počas hodnotenia problematických nástrojov postupujte mimoriadne opatrne.

• Ak problém nie je možné odstrániť pomocou nižšie uvedených pokynov, obráťte sa na najbližšieho zástupcu alebo distribútora spoločnosti Bostitch.

PROBLÉM	PRÍČINA	NÁPRAVA
Zlyhanie cyklovania	Zablokovaný prívod vzduchu	Skontrolujte zariadenie na aplikáciu prívodu vzduchu
	Suchý nástroj, nedostatočné mazanie	Použite mazivo BOSTITCH Air Tool Lubricant
	Opotrebované tesniace krúžky hlavového ventilu (ak existujú)	Vymeňte tesniace krúžky
	Poškodená pružina viečka valca	Vymeňte pružinu viečka valca
	Zaseknutý hlavový ventil (ak existuje) vo viečku	Rozoberte/skontrolujte/namažte
Nedostatok výkonu, pomalé cyklovanie	Príliš nízky tlak vzduchu	Skontrolujte zariadenie na aplikáciu prívodu vzduchu
	Suchý nástroj, nedostatočné mazanie	Použite mazivo BOSTITCH Air Tool Lubricant
	Poškodená pružina viečka valca	Vymeňte pružinu viečka valca
	Tesniace krúžky/tesnenia sú poškodené alebo popraskané	Vymeňte tesniace krúžky/tesnenia
	Upchaný výfuk	Skontrolujte tlmíč, pružinu hlavového ventilu, výfukový tlmíč
	Opotrebovaná/netesniaca zostava spúšte	Vymeňte zostavu spúšte
	Manžeta valca nie je správne nasadená na dolnom tlmíči	Vykonajte demontáž a opravu
	Suchý hlavový ventil	Vykonajte demontáž a namažte
Únik vzduchu z krytu ventilu spúšte	Tesniaci krúžok je poškodený alebo popraskaný	Vymeňte tesniaci krúžok
Únik vzduchu z drieku ventilu spúšte	Tesniace krúžky/tesnenia sú poškodené alebo popraskané	Vymeňte tesniace krúžky/tesnenia
Únik vzduchu z rámu/hrdla	Tesniaci krúžok alebo tesnenie je poškodené alebo popraskané	Vymeňte tesniaci krúžok alebo tesnenie
	Popraskaný/opotrebovaný tlmíč	Vymeňte tlmíč
Únik vzduchu z rámu/viečka	Poškodené tesnenie	Vymeňte tesnenie
	Poškodený/opotrebovaný tlmíč hlavového ventilu	Vymeňte tlmíč
	Uvoľnené skrutky viečka	Dotiahnite a vykonajte kontrolu
Vynechávajú svoriek, prerušovaný prívod	Opotrebovaný tlmíč	Vymeňte tlmíč
	Zablokovanie vzduchu/nedostatočný prietok vzduchu cez objímku rýchlospojky a konektor	Vymeňte rýchlospojky



PROBLÉM	PRÍČINA	NÁPRAVA
GB Not to be reproduced without permission for compliance for the products.	<b>Opotrebovaný tesniaci krúžok piesta (ak existuje)</b>	Vymeňte tesniaci krúžok; skontrolujte hnciu jednotku
FR Reproduction interdite sans permission préalable. Les copies non autorisées de ce document ne signifient en rien que les produits soient conformes aux normes CE.	<b>Suchý nástroj, nedostatočné mazanie</b>	Použite mazivo BOSTITCH Air Tool Lubricant
DE Vervielfältigung nicht ohne Genehmigung gestattet. Unzulässig erstellte Kopien dieses Dokuments erfüllen nicht die CE-Richtlinien für Produkte.	<b>Poškodená pružina tlačného nástroja</b>	Vymeňte pružinu
NL Mag niet worden vemenigvuldigd zonder toestemming. Onrechtmatige kopieën van dit document willen niet zeggen dat de producten voldoen aan de CE-vereisten.	<b>Nízky tlak vzduchu</b>	Skontrolujte systém privodu vzduchu do nástroja
DK Må ikke gengives uden tilladelse af produktproducenten.	<b>Uvoľnená skrútka hrdla zásobníka</b>	Dotiahnite všetky skrútky
	<b>Prilíš krátke svorky pre daný typ nástroja</b>	Používajte výlučne odporúčané svorky
	<b>Ohnuté svorky</b>	Tieto svorky nepoužívajte
FI Ei saa jäljentää ilman lupaa. Tämän asiakirjan ilman valtuutusta tehtydt kopiointi eivät muodosta tuotteen CE-yhdenmukaisuutta.	<b>Svorky nesprávnej veľkosti</b>	Používajte výlučne odporúčané svorky
GR Απαγορεύεται η αναπαραγωγή χωρίς προηγούμενη άδεια. Τα μη εξουσιοδοτημένα αντίγραφα του παρόντος αποτελούν παράνομο συμπλήρωμα των προϊόντων.	<b>Netesniace tesnenie viečka hlavy</b>	Dotiahnite skrútky/vymeňte tesnenie
	<b>Poškodený alebo opotrebovaný tesniaci krúžok ventila spúšte</b>	Vymeňte tesniaci krúžok
IT Vietata la riproduzione senza permesso della casa produttrice per i relativi prodotti in conformità CE.	<b>Poškodený/popraskaný hnačí mechanizmus</b>	Vymeňte hnačí mechanizmus (skontrolujte tesniaci krúžok)
NO Skal ikke reproduseres uten tillatelse av produsent. CE-merking for produktet.	<b>Suchý/znečistený zásobník</b>	Vyčistite a namažte mazivom BOSTITCH Air Tool Lubricant
	<b>Opotrebovaný zásobník</b>	Vymeňte zásobník
PT Reprodução proibida sem autorização prévia. As cópias não autorizadas deste documento não estão em conformidade com as normas CE.	<b>Opotrebovaný kanál hnačieho mechanizmu</b>	Vymeňte hrdlo/skontrolujte dvierka
ES Prohibida la reproducción sin permiso de la casa productora de este documento para los productos en conformidad con las normas CE de los productos.	<b>Svorky nesprávnej veľkosti</b>	Používajte výlučne odporúčané svorky
	<b>Ohnuté svorky</b>	Tieto svorky nepoužívajte
SE Prohibida la reproducción sin permiso de la casa productora de este documento no sujeción la conformidad con las normas CE de los productos.	<b>Uvoľnené skrútky zásobníka/hrdla</b>	Dotiahnite všetky skrútky
PL Niniejszy dokument nie może być kopiowany bez pozwolenia. Nieautoryzowane kopie niniejszego dokumentu nie stanowią deklaracji zgodności CE prezentowanych produktów.	<b>Poškodený/popraskaný hnačí mechanizmus</b>	Vymeňte hnačí mechanizmus (skontrolujte tesniaci krúžok)
CZ Niniejszy dokument nie może być kopiowany bez pozwolenia. Nieautoryzowane kopie niniejszego dokumentu nie stanowią deklaracji zgodności CE prezentowanych produktów.		
SK Rozmnožovanie bez povolenia je zakázané. Neoprávnené kópie tohto dokumentu nie sú v súlade s CE pre daný výrobky.		
HU A dokumentum engedély nélkül nem sokszorosítható. Az engedély nélkül sokszorosított dokumentum nem jelenti a termék CE-megfelelőségét.		
RO Reproducerea neautorizată este interzisă. Copiile neautorizate ale acestui document nu reprezintă conformitatea CE pentru produse.		

## ▲ BIZTONSÁGI ÉS ÜZEMELTETÉSI KÉZIKÖNYV



A SZERSZÁM ÜZEMELTETÉSE ELŐTT MINDEN FELHASZNÁLÓNAK TANULMÁNYOZNI KELL EZT A KÉZIKÖNYVET ÉS A SZERSZÁM MŰSZAKI

ADATAIT, HOGY ÉRTSE ÉS KÖVESSE A BIZTONSÁGI FIGYELMEZTETÉSEKET ÉS UTASÍTÁSOKAT. TARTSA EZT AZ UTASÍTÁST A SZERSZÁM MELLETT, A JÖVŐBEN MÉG SZÜKSÉGE LEHET RÁ. HA BÁRMI KÉRDÉSE VAN, FORDULJON A BOSTITCH KÉPVISELŐJÉHEZ VAGY FORGALMAZÓJÁHOZ.

A SZERSZÁM HASZNÁLATA ELŐTT TANULMÁNYOZZA A SZERSZÁM ADATAINAK TÁBLÁZATÁT, A MŰSZAKI ADATLAP L OSZLOPÁBÓL ÁLLAPÍTHATJA MEG A SZERSZÁM MŰKÖDÉSI MÓDJÁT.

**Ezek a kötőelem-meghajtó szerszámok professzionális, nagy teljesítményű eszközök.**

NE HAGYJA, hogy a szerszám gyermekek kezébe kerüljön. Nem gyakorlott kezelők csak felügyelet mellett használhatják.

• Kisgyermek és fogyatékkal élők. A készüléket kisgyermek és fogyatékkal élők csak felügyelet mellett használhatják.

• A készüléket korlátozott fizikai, érzékszervi vagy szellemi képességekkel rendelkező, nem gyakorlott vagy képzett személyek (beleértve a gyermekeket is) a biztonságukért felelős személy felügyelete hiányában nem használhatják. Gyermekeket soha nem szabad a készülékkel magukra hagyni.

• A kötőelem-meghajtó szerszámot csak a megfelelő szakirányú képzettséggel rendelkező kezelő használhatja.

• A kötőelem-meghajtó szerszámot ne alakítsa át. A módosítások csökkenthetik a biztonsági intézkedések hatékonyságát, és növelhetik a kezelőre vagy a közelben tartózkodókra leselkedő kockázatokat.

A BOSTITCH-szerszámok a nagy sebességgel és nagy volumenben való összekötésre szolgáló precíziós szerszámok. Szabályos és gondos alkalmazás mellett hatékony, megbízható szolgáltatást nyújtanak.

Mint bármely finom szerszám esetében, a legjobb eredmények eléréséhez a gyártó utasításait mindig követni kell. Tanulmányozza ezt a kézikönyvet, és ismerje meg a biztonsági figyelmeztetéseket és óvintézkedéseket a szerszám használata előtt. A szerelési, üzemeltetési és karbantartási utasításokat figyelmesen olvassa el, és tartsa kéznél a kézikönyvet mint segédanyagot. Megjegyzés: További biztonsági intézkedésekre lehet szükség a szerszám adott konkrét alkalmazása miatt. Forduljon a BOSTITCH képviselőjéhez vagy forgalmazójához a szerszámra és használatára vonatkozó bármilyen kérdésével.

## ▲ MEGJEGYZÉS:

A BOSTITCH-szerszámokat úgy tervezik, hogy azokkal maradéktalanul elégedettek legyenek az ügyfelek, és a maximális teljesítményt nyújtják, ha ugyanazon pontos szabványok szerint méretezett precíziós BOSTITCH-kötőelemekkel használják.

**A BOSTITCH nem vállal felelősséget a termék teljesítményéért, ha bármelyik szerszámunkat olyan kötőelemekkel vagy tartozékokkal használják, amelyek nem felelnek meg az eredeti BOSTITCH-szövegre, -kapcsokra és -tartozékokra megállapított konkrét követelményeknek.**

## A GARANCIA KORLÁTOZÁSA

A BOSTITCH meg van győződve a termékei minőségéről, ezért a termék professzionális felhasználóinak garanciát kínál. Ez a garancianyilatkozat kiegészíti, és semmi esetre se csökkenti az Önt professzionális felhasználóként megillető szerződéses vagy nem professzionális felhasználó magánszemélyként megillető törvényes jogait. A garancia az Európai Unió tagállamain és az Európai Szabadkereskedelmi Térség területén belül érvényes.

Ha az Ön BOSTITCH-terméke a vásárlástól számított 12 hónapon belül anyag- vagy megmunkálási hiba miatt meghibásodna, a BOSTITCH vállalja, hogy a következő feltételek teljesülése esetén a meghibásodott alkatrészek mindegyikét, illetve – saját megítélése szerint – a teljes egységet ingyenesen kicseréli, ha:

- A terméket nem használták nem rendeltetészerűen.
- A termék normál kopásnak van kitéve.
- A meghajtópengék, ütőközök és O-gyűrűk kopó alkatrészeknek tekintendők, és mint ilyen alkatrészekre, ezekre nem vonatkozik garancia.
- Illetéktelen személyek nem kísérelték meg javítani a terméket.
- A vásárlást igazoló bizonylatot mellékeltek.
- A termék hiánytalanul, az összes eredeti alkatrészével együtt lett visszaküldve.
- A terméket a vásárlást igazoló bizonylattal együtt, saját költségben eljuttatta regionális szervizközpontunkba vagy jóváhagyott garanciaszerviz-központunkba.

Ha panaszt szeretne tenni, vegye fel a kapcsolatot az értékesítővel, vagy keresse ki a BOSTITCH-katalógusból a legközelebbi jóváhagyott BOSTITCH-szervizűgynökünket, illetve keresse föl a BOSTITCH ügyfélszolgálatát a kézikönyvben feltüntetett címen

## SPECIÁLIS HIVATKOZÁSOK

A szerszámban csak az üzemeltetési utasításban (lásd a Szerszám műszaki adatait) meghatározott kötőelemek használhatók. A szerszámot és a meghatározott kötőelemeket biztonsági célokból egységes biztonsági rendszernek kell tekinteni.

A használat előtt mindig ellenőrizni kell, hogy a szerszám nem tartalmaz-e sérült, hibásan felszerelt vagy kopott alkatrészeket.

A javítást csak a BOSTITCH meghatalmazottai vagy más szakértők végezhetik, kellően figyelembe véve az e kézikönyvben, az adott szerszám kézikönyvében és a Szerszám műszaki adataiban ismertetett biztonsági, üzemeltetési és karbantartási utasításokat.

**Megjegyzés:** A szakértők azok, akik szakképzés vagy szakmai tapasztalatok révén megszerezték a szükséges szakmai gyakorlatot a kötélemeket meghajtó szerszámok terén úgy, hogy képesek felmérni a kötélemeket meghajtó szerszámok biztonsági állapotát.

A szerszámnak a szupporra való szerelésére szolgáló állványok vagy tokmányok (pl. a munkaasztal) úgy legyenek megtervezve és kialakítva az állvány gyártója részéről, hogy a kötélem-meghajtó szerszámok biztonságosan rögzíthetők legyenek a rendeltetészerű használat céljára, elkerülve például a károkat, a torzulást vagy elmozdulást.

## BIZTONSÁGI UTASÍTÁSOK



A SZEM VÉDELME – védelmet biztosít a repülő részecskéktől mind ELŐLRŐL, mind OLDALRŐL, a szerszám kezelőjének és a munkaterületen tartózkodó más személyeknek is állandóan viselniük kell, amikor berakják a munkadarabot, üzemeltetik vagy szervelizik a szerszámot.

A szem a repülő kötélemektől és a törmeléktől való védelme is szükséges, amelyek súlyos szemsérülést okozhatnak. A munkáltatónak és/vagy a felhasználónak gondoskodnia kell a megfelelő szemvédő eszközök viseléséről.

A 89/686/EGK rendeletnek megfelelő, illetve az EN166 szabvánnyal egyező vagy azt meghaladó szemvédő eszközöket kell használni. A személyes védőfelszerelések kiválasztása során azonban a kezelő munkakörnyezetre és a többi gépre vonatkozó szempontokat is figyelembe kell venni.



**FIGYELEM: TOVÁBBI BIZTONSÁGI VÉDELME** lehet szükséges bizonyos környezetekben. Például a munkaterületen esetleg olyan magas lehet a zajszint, hogy az már halláskárosodáshoz vezethet. A munkáltatónak és a felhasználónak gondoskodnia kell róla, hogy minden szükséges hallásvédő eszköz rendelkezésre

álljon, és azokat a kezelő és a munkaterületen tartózkodó más személyek használják is. Egyes környezetek szükségessé tehetik fejvédő eszközök használatát. Szükség esetén a munkáltatónak és a felhasználónak biztosítania kell a fejvédő eszközök használatát.

## ZAJÁRTALOM

- A magas zajszinteknek védőfelszerelés nélküli való kitettség állandó, fogyatékosságot okozó halláskárosodást és egyéb hallásproblémákat, például fülcsengést (a fülön belül hallható csengést, zúgást, füttyülést vagy zümmögést) okozhat.
- Az ilyen veszélyekre vonatkozóan kockázatelemzést kell végezni, és a megfelelő intézkedéseket foganatosítani.
- A kockázatok csökkentésére szolgáló intézkedések keretében érdemes lehet a munkadarabok „csengését” csillapító anyagokat alkalmazni.
- Viseljen megfelelő hallásvédő felszerelést.
- A szerszámot az útmutatóban leírtak szerint működtesse és tartsa karban a zajszint szükségtelen emelkedésének megelőzéséhez.
- Ha a szerszám rendelkezik hangtompítóval, gondoskodjon róla, hogy a szerszám működtetésekor mindig megfelelő állapotban és a helyén legyen.

## VIBRÁCIÓS ÁRTALOM

- Az ilyen veszélyekre vonatkozó kockázatelemzéshez elengedhetetlen a szükséges információk megléte, illetve fontos a megfelelő intézkedések foganatosítása.
- A vibrációs ártalom való kitettséggel károsíthatja a kéz és a kar idegeit és vérellátását.
- Ha hideg körülmények között dolgozik, viseljen meleg ruházatot, és tartsa kezét melegen és szárazon.
- Ha az ujjaiiban vagy a kezében zúzást, bizsergést, fájdalmat vagy a bőr elfehéredését tapasztalja, kérjen a tevékenységekkel kapcsolatban orvosi tanácsot egy képzett munkaegészségügyi szakembertől.
- A szerszámot az útmutatóban leírtak szerint működtesse és tartsa karban a rezgésszint szükségtelen emelkedésének megelőzéséhez.
- Tartsa a szerszámot könnyen, de biztosan, mivel a rezgésekkel kapcsolatos kockázatok általában magasabbak, ha a szerszámot erősen markolják.

## **⚠ BIZTONSÁGI UTASÍTÁSOK A LEVEGŐELLÁTÁSRA ÉS A CSATLAKOZÁSOKRA VONATKOZÓAN**



Ne használjon oxigént és éghető gázokat a pneumatikus szerszámok energiaforrásként.

Ne használjon olyan palackos gázokat vagy légellátást, amelyek esetében a vezeték maximális nyomása potenciálisan meghaladhatja az adott szerszám útmutatójában feltüntetett maximális nyomást, mivel ilyen esetben a szerszám szétrobbanhat, ami sérülésveszélyes. Ha a maximális légnyomás meghaladhatja ezeket a nyomásértékeket, akkor lefelé haladó biztonsági szeleppel ellátott nyomáscsökkentő szelepet kell beépíteni a levegőellátási rendszerbe.

- A levegőellátás csatlakoztatásakor sose húzza meg a ravaszt, illetve ne nyomja meg a biztonsági kioldófejet. A szerszám működésbe léphet, ami balesetet okozhat.
- A szerszámon lévő csatlakozót nem szabad lenyomva tartani, amikor a levegőellátást leválasztja. Ha rossz szerelvényt használt, a szerszámban még maradhat levegő a leválasztás után, és a kötőelem meghajtható még azután is, hogy lekapcsolta a légvezetékét, ami balesetet okozhat.
- Mindig válassza le a levegőellátást:
  - 1) beszabályozások előtt; 2) a szerszám szervizelésekor; 3) beakadás megszüntetésekor; 4) ha a szerszámot nem használja; 5) ha más munkaterületre megy át – mivel véletlenül beindulhat, és ez balesetet okozhat.

## **⚠ BIZTONSÁGI UTASÍTÁSOK A SZERSZÁM BEHELYEZÉSEKOR**

A szerszám betöltésekor: 1) soha ne helyezze a kezét vagy egyéb testrészét a szerszám kötőelem-kilövő nyílása közelébe; 2) soha ne irányítsa a szerszámot önmagára vagy bárki másra; 3) ne húzza meg a ravaszt, és ne nyomja le a biztonsági kioldófejet, mert ez véletlen működtetéshez vezethet, ami sérülést okozhat.

**Megjegyzés:** Lásd a külön Szerszám műszaki adatok c. kézikönyvben a konkrét behelyezési utasításokat és az ajánlott kötőelemek méreteit.

## **⚠ BIZTONSÁGI UTASÍTÁSOK A SZERSZÁM ÜZEMELTETÉSÉHEZ**

- A szerszámot mindig óvatosan kezelje: 1) soha ne kapcsolja be játékból; 2) soha ne húzza meg a ravaszt, csak akkor, ha az eleje a munkaterület felé van irányítva; 3) másokat is tartson biztonságos távolban

a szerszámtól, amíg a szerszám működik, különben baleset történhet, ami személyi sérülést okozhat.

- Biztonsági kioldófejjel rendelkező szerszám esetén a kezelőnek nem szabad lenyomva tartania a ravaszt, csak rögzítéskor. Ellenkező esetben, ha a biztonsági kioldófejt véletlenül hozzáér valakihez vagy val amihez, a szerszám működésbe lépése súlyos sérüléshez vezethet.
- A kezét és a testrészeit tartsa távol a szerszám kötőelem-kilövősi területétől. A biztonsági kioldófejjel rendelkező szerszám lepattanhat a kötőelem hajtásának rugójáról, és egy nem kívánt második kötőelem kaphat hajtást, ami balesetet okozhat.
- Szisztemesen ellenőrizze a biztonsági kioldófejt mechanizmusának működését. Ne használja a szerszámot, ha a kar nem működik megfelelően, mert a szerszám esetleg akkor is működésbe léphet, amikor nem kellene. Ne akadályozza a biztonsági kioldófejt mechanizmusának megfelelő működését.
- Ne lőjön be kötőelemeket más kötőelemekre, mivel a kötőelem elhajolhat, és ez balesetet okozhat.
- Ne lőjön be kötőelemeket a munkadarab széléhez közel, mivel a fa meghasadhat, a kötőelem deformálódhat, és ez balesetet okozhat.
- Ne nyúljon túlságosan előre. A szerszámot csak biztonságos helyen használja. Álljon biztosan a lábán, és őrizze meg az egyensúlyát.
- Ügyeljen rá, hogy a közelben tartózkodók biztos távolságot tartsanak (olyan munkaterületeken, ahol valószínű az átmenőforgalom). Egyértelműen jelölje ki a munkaterületet.
- Mindig tartsa a második fogantyút is (ha van).
- Csak olyan kesztyűt viseljen, amelyben megfelelően érzi és tarthatja a ravaszt, valamint a különféle vezérlőket.
- A működtetés közben a munkadarabról és a rögzítő-/rendezőrendszerből törmelék ürülhet ki.
- A munkadarabbal nem érintkező szerszámokkal bánjon óvatosan, mivel véletlenül elsülhetnek, és a kezelő és/vagy a közelben tartózkodók sérülését okozhatják.
- Mindig ügyeljen rá, hogy a szerszám biztonságosan fekdüjön a munkadarabra, és ne tudjon megcsúszni.
- Álljon biztosan a lábán, és őrizze meg az egyensúlyát.
- Használjon megfelelő védőszemüveget, és ajánlott megfelelő kesztyűt és védőruházatot is viselni.

## ⚠ BIZTONSÁGI UTASÍTÁSOK AZ ESZKÖZ KARBANTARTÁSAKOR

Pneumatikus szerszámok használatakor ügyeljen az e kézikönyvben, a szerszámra vonatkozó konkrét utasításokban és magán a szerszámon lévő figyelmeztetésekre, és fordítson különösen nagy gondot a problémás szerszámok kiértékelésére.

## ⚠ LEVEGŐELLÁTÁS ÉS CSATLAKOZÁSOK

Ha az eszközöket a levegőadagoló berendezésekhez csatlakoztatják, a szerszám kötőelem-kilövő nyílásának a kezelőtől és a munkaterületen lévő más személyektől távoli irányba kell mutatnia. A szerszám kilövőnyílását elegendő vastagságú anyagminta fölé kell helyezni, amelynek a méretei teljesen fedik a behajtott kötőelemet. A vágójait és a testrészeit a kilövőnyílástól távol tartva a levegőellátás csatlakoztatható.

A véletlen beindulás és az esetleges balesetek megelőzése érdekében minden esetben válassza le a levegőellátást:

1. Beállítások előtt.
2. A szerszám szervizelésekor.
3. Beakadás megszüntetésekor.
4. Ha nem használja a szerszámot.
5. Ha átmege más munkaterületre, mivel a szerszám véletlenül beindulhat, ami balesetet okozhat.

- A kompresszorokat megfelelően kell méretezni, hogy az előírt használatnak megfelelően biztosítva legyen az elegendő nyomás és a volumetrikus áramlás. A levegőellátó rendszerben a nyomáscsökkenés csökkentheti a szerszám hajtóerejét. Lásd a Szerszám műszaki adataiban a szerszám helyes nyomásának beállítását.
- Az ipari légvezetéseket lejtősen kell fektetni, úgy, hogy a legmagasabb pont a kompresszorhoz legközelebb legyen. Könnyen hozzáférhető vízcspadákat kell biztosítani a legalacsonyabb pontokon a vízvezető csapdákat legalább napi gyakorisággal üríteni kell, vagy szükség esetén még gyakrabban. A levegőellátó rendszerben lévő szennyeződés és víz a pneumatikus szerszámok kopásának fő okozója. A szerszámhoz való csatlakoztatási pontokon szűrő-szabályozó-/szervizegységet kell felszerelni közvetlenül a csatlakozási ponton. A szűrő segít a legjobb teljesítményt elérni, valamint a kopást a minimálisra csökkenteni. A szűrőnek az adott berendezéshez megfelelő áteresztőképességűnek kell lennie. A szűrőt tisztán kell tartani, hogy hatékonyan biztosítsa a tiszta sűrített levegőt a szerszám számára. A szűrő megfelelő karbantartásának módját a gyártói utasításokban találja.

Az elszennyeződött és eltömődött szűrő csökkenti a nyomást, ami csökkenti a szerszám teljesítményét.

- Az ipari légvezetésektől a szerszámhoz vezető csatlakozásoknak a légvezeték tetejéről kell indulniuk.
- A légtömők üzemi nyomása minimum 10,6 bar vagy a levegőrendszerben biztosítható maximális nyomás 150%-a. A levegőadagoló tömlőn olyan szerelvénynek kell lennie, amely biztosítja a „gyors lekapcsolást” a szerszámon lévő dugóról.
- Ügyelni kell rá, hogy a szerszámra adagolt nyomás ne haladja meg a maximálisan megengedett üzemi nyomást, azaz a ps max értéket (lásd a Szerszám műszaki adatait). Először a nyomást a legalacsonyabb ajánlott üzemi nyomásra állítsa be (lásd a Szerszám műszaki adatait).
- Ellenőrizze, hogy a szerszám megfelelően működik-e, az elejét irányítsa egy forgácsdarabra, és húzza meg a ravaszt egyszer vagy kétszer.

## KENÉS

- A gyakori, de nem túlzott kenés biztosítja a legjobb teljesítményt. A légvezeték csatlakoztatásán át beadagolt olaj lekeni a belső alkatrészeket. A helyes kenés részleteit lásd a Szerszám műszaki adataiban. Ne használjon mosószeres olajat vagy adalékanyagokat, mivel az ilyen kenőanyagok túlzott kopást okoznak a tömítőgyűrűkön és a szerszám ütközőelemeinek, ami rontja a szerszám teljesítményét, és növeli a szükséges karbantartás gyakoriságát.
- Ha a légvezetésekre semmilyen kenést nem alkalmaznak, használat közben adagoljon olajat a szerszámon lévő levegőadagoló szerelvénybe naponta egyszer vagy kétszer. Egyszerre csak néhány (3–5) csepp olaj szükséges. A túl sok olaj csak összegyűlik a szerszám belsejében, és ez a kipufogó ciklusban lesz érzékelhető.
- Működtetés hideg időben. – Hideg időben, fagypont közelében és fagypont alatti működés esetén a légvezetékben a nedvesség befagyhat, és ez akadályozza a szerszám működését. Téli időben ajánljuk a BOSTITCH téli légvezeték-kenőanyag vagy az állandó fagyálló (etilénlikol) használatát megfelelő kenőanyagként.

**Figyelem!** – A szerszám szelepeiben és mechanizmusában a fagy vagy a jégképződés – ami a szerszám meghibásodását okozhatja – megelőzéséhez ne tárolja a szerszámot hideg környezetben.

**Megjegyzés:** Egyes, a kereskedelemben kapható légvezeték-szárító folyadékok károsak az O-gyűrűkre és a tömítésekre – ne használja ezeket az alacsony hőmérsékletű légszárítókat a megfelelőségük ellenőrzése nélkül.

## ▲ MŰKÖDTETÉS<sup>19</sup>

**A SZEM VÉDELME** – védelmet biztosít a repülő részecskéktől mind **ELŐLRŐL**, mind **OLDALRŐL**, a szerszám kezelőjének és a munkaterületen tartózkodó más személyeknek is állandóan viselniük kell, amikor berakják a munkadarabot, üzemeltetik vagy szervizelik a szerszámot. A szem a repülő kötélemektől és a törmeléktől való védelme is szükséges, amelyek súlyos szemsérülést okozhatnak. A munkáltatónak és/vagy a felhasználónak gondoskodnia kell a megfelelő szemvédő eszközök viseléséről.

A szemvédő eszköznek mind előlről, mind oldalról védelmet kell biztosítania. **Megjegyzés:** Az oldalról védelmet nem nyújtó szemüvegek és arcvédők önmagukban nem nyújtanak megfelelő védelmet.

▲ **FIGYELEM!** Ha a szerszám leesett, vagy azt gyanítja, hogy sérült, hajtsa végre a szerszám üzemi ellenőrzését

A szerszám üzemi ellenőrzése szakaszban leírtak szerint.

### A VELETLEN SZEMÉLYI SÉRÜLÉSEK MEGELŐZÉSÉHEZ:

- Soha ne tegye a kezét vagy bármely testrészét a kötélem-kilövő nyílás közelébe a levegő csatlakoztatása közben.
- Soha ne mutasson a szerszámmal senki másra.
- Soha ne kapcsolja be játékból.
- Soha ne húzza meg a ravaszt, csak akkor, ha a szerszám eleje a munkadarab felé néz.
- Mindig óvatosan kezelje a szerszámot.
- A szerszám betöltésekor sose húzza meg a ravaszt, illetve ne nyomja meg a biztonsági kioldófejet.

## 6 ÜZEMELTETÉS TÍPUSAI: A BOSTITCH HÉTFÉLE üzemeltetési típust tesz elérhetővé: οδοτημένα

Üzemeltetési típus	Hivatkozás a szerszám kézikönyvében	Biztonsági kioldófejei/ biztonsági indítókapsoló
ÉRINTÉSES AKTIVÁLÁSI MÓD	1	✓
RÉSZBEN SZEKVENCIÁLIS AKTIVÁLÁSI MÓD	2	✓
TELJESEN SZEKVENCIÁLIS AKTIVÁLÁSI MÓD	2A	✓
RAVASSzal MŰKÖDŐ	3	x
FOLYAMATOS ÉRINTÉSES AKTIVÁLÁSI MÓD	4	✓
FOLYTONOS RAVASSzal MŰKÖDŐ VAGY „AUTOMATIKUS” MÓD	5	x
VÁLASZTHATÓ AKTIVÁLÁSI MÓD	6	✓

PL Niniejszy dokument nie może być kopiowany bez pozwolenia. Nieautoryzowane kopie niniejszego dokumentu

**BIZTONSÁGI KIOLDÓFEJEL (VAN, AHOl BIZTONSÁGI INDÍTÓKAPCSOLÓNAK HÍVJÁK) NEM RENDELKEZŐ SZERSZÁMOK** – két üzemeltetési típus lehetséges: ahol az alkalmazással szembeni követelmények szerint a biztonsági kioldófejei NEM használható. A ravasszal működő szerszám mindig működésbe lép a ravaszt aktiválásakor.

SK Rozmnožovanie bez povolenia je zakázané. Neoprávnené kopie tohto dokumentu nie sú v súlade s CE pre dané

**RAVASSzal MŰKÖDŐ**  
(3. hivatkozás a műszaki adatok táblázatának L(a) oszlopában)

A ravasszal működő modell csak a ravasz aktiválásával lép működésbe. Ez a modell nem rendelkezik biztonsági kioldófejellel, és csak olyan használatra lett tervezve,

**FOLYTONOS RAVASSzal MŰKÖDŐ VAGY „AUTOMATIKUS”**  
(5. hivatkozás a műszaki adatok táblázatának L(a) oszlopában)

A folytonos ravasszal működő modell lehetővé teszi a hajtási ciklusok ismétlését addig, amíg a ravasz aktiválva van. Ez a modell nem rendelkezik biztonsági

Kioldófejjel, és csak olyan használatra lett tervezve, ahol az alkalmazással szembeni követelmények szerint a biztonsági kioldófejjel NEM használható.

## BIZTONSÁGI KIOLDÓFEJJELEK (VAN, AHOLO BIZTONSÁGI INDÍTÓKAPCSOLÓNAK HÍVJÁK) RENDELKEZŐ SZERSZÁMOK

### – öt üzemeltetési típus lehetséges:

Minden biztonsági kioldófejjel ellátott szerszám egy fordított egyenlő oldalú háromszöggel (t) van jelölve.

Az ilyen jelöléssel ellátott szerszámokat ne használja, ha a biztonsági kioldófejjel hiányzik vagy sérültek tűnik.

A legtöbb szerszám olyan biztonsági kioldófejjel rendelkezik, amely normál esetben a „kinyújtott” vagy „lenti” helyzetben van (1. hivatkozás a műszaki adatok táblázatának L(b) oszlopában). Egyes szerszámok olyan biztonsági kioldófejjel rendelkeznek, amely normál esetben a „benyomott” vagy „fenti” helyzetben van (2. hivatkozás a műszaki adatok táblázatának L(b) oszlopában). A funkcióval kapcsolatos teljes körű információkért olvassa el az Ön szerszámára vonatkozó, műszaki adatokat tartalmazó kézikönyvet.



### ÉRINTÉSES AKTIVÁLÁSI MÓD (FEKETE RAVASZ)

#### (1. hivatkozás a műszaki adatok táblázatának L(a) oszlopában)

Az „érintéses aktiválási módú” vagy „ütközéssel aktiválási módú” szerszámok esetében az általános üzemeltetési eljárás az, hogy a kezelő beindítja

a biztonsági kioldófejjel, miközben meghúzza tartja a ravaszt, így meghajtva a kötélemet minden alkalommal, amikor az a munkadarabbal érintkezik. Ez számos feladat esetében lehetővé teszi a kötélem gyors belövését, például láda- és raklap-összeállítás esetén. Minden pneumatikus szerszám visszarúg a kötélem meghajtásakor. A szerszám lecsúszhat, ezzel kiold a biztonsági kioldófejjel, és ha véletlenül ismét érintkezés lép fel a munkafelülettel, amikor a ravasz még aktiválva van (a kezelő ujjá még rajta van a ravaszon), egy második kötélem is véletlenül hajtást kap.



**▲ FIGYELEM!** Azzal a szimbólummal jelölt szerszámok érintéses indítással, vagy folyamatos érintéses indítással, vagy választható aktiválási móddal rendelkeznek.

Ezek a szerszámok gyártási alkalmazásokban való használathoz készültek, például raklapok, bútorok és könnyűszerkezetes házak összeállításához, illetve kárptos munkákhoz. **NE** használja az eszközt érintkezésre működésbe lépő módon olyan alkalmazásokhoz, mint például dobozok, ládák lezárása, valamint szállításbiztosító rendszerek rögzítése pótkocsikon és tehergépkocsikon. A szerszám csak biztonságos munkaterületeken használható. Ha munka közben testhelyzetet vált, gondosan ügyeljen arra, hogy elkerülje a szerszám véletlen indítását.



### SEKVENCIÁLIS AKTIVÁLÁSI – 2 TÍPUS (SZÜRKE RAVASZOS):

#### 1. TÍPUS: RÉSZBEN SEKVENCIÁLIS AKTIVÁLÁSI MÓD

#### (2. hivatkozás a műszaki adatok táblázatának L(a) oszlopában)

A részben szekvenciális aktiválási móddal ellátott szerszám esetén a ravasz meghúzása előtt a kezelőnek lenyomott biztonsági kioldófejjel a munkadarabhoz kell tartania a szerszámot. A szerszám további kötélemek behajtása érdekében való működtetéséhez a ravaszt vissza kell engedni, és újra meg kell nyomni. A szerszám minden alkalommal működésbe lép, valahányszor megnyomja a ravaszt, miközben a szerszámot a munkadarabban nyomja.

#### 2. TÍPUS: TELJESEN SEKVENCIÁLIS AKTIVÁLÁSI MÓD

#### (2A hivatkozás a műszaki adatok táblázatának L(a) oszlopában)

A teljesen szekvenciális aktiválási mód hasonlóan működik, mint a részben szekvenciális aktiválási mód, azzal a különbséggel, hogy ennél a további kötélemek behajtásához az ismétlés előtt a ravaszt el kell engedni, a szerszámot pedig fel kell emelni a munkadarabról, és vissza kell rá nyomni.

Mindkét típusú szekvenciális mód megkönnyíti a pontos kötélem-elhelyezést, például keretkészkor, peremszögeléskor és ládakészítéskor. A szekvenciális aktiválási mód lehetővé teszi, hogy úgy löjje be pontosan a kötélemet, hogy a szerszám visszarúgásakor kizárt legyen az újabb kötélem véletlen belövése – ahogy az az „Érintéses aktiválási mód” című részben le van írva (lásd alább). A szekvenciális móddal ellátott szerszám biztonsági előnnyel rendelkezik, mert nem fogja véletlenül meghajtani a kötélemet, ha a szerszám

a munkadarabbal – vagy bármí mással – érintkezik, miközben a kezelő a ravaszt meghúzza tartja.

GB Not to be reproduced without permission. Unauthorised copies of this document do not constitute CE compliance for the products.

## HASZNÁLAT FOLYAMATOS ÉRINTÉSES AKTIVÁLÁSI MÓDBAN.

### (4. hivatkozás a műszaki adatok táblázatának L(a) oszlopában)

A folytonos érintkezés alapján működő szerszámok addig teszik lehetővé a hajtási ciklusok ismétlését, amíg a ravasz és a biztonsági kioldófej aktiválva van.

A szerszám kezelése vagy üzemeltetése előtt:

Olvassa el és értse meg a kézikönyvben foglalt figyelmeztetéseket. A szerszám működtetési rendszerét a Szerszám műszaki adatai c. részben azonosíthatja.



△ **FIGYELEM!** Az ezzel a szimbólummal jelölt szerszámok érintéssé indítással, vagy folyamatos érintéssé indítással, vagy választható aktiválási móddal rendelkeznek.

előtt olvassa el a fenti, érintéssé aktiválási módról és szekvenciális aktiválási módról szóló részeket.

A funkció használatával kapcsolatos teljes körű információkért olvassa el az Ön szerszámára vonatkozó, műszaki adatokat tartalmazó kézikönyvet.



△ **FIGYELEM!** Az ezzel a szimbólummal jelölt szerszámok érintéssé indítással, vagy folyamatos érintéssé indítással, vagy választható aktiválási móddal rendelkeznek.

Ezek a szerszámok gyártási alkalmazásokban való használathoz készültek, például raklapok, bútorok és könnyűszerkezetes házak összeállításához, for illetve kárpitos munkákhoz. **NE** használja az eszközt érintkezésre működésbe lépő módon olyan alkalmazásokhoz, mint például dobozok, ládák lezárása, valamint szállításbiztosító rendszerek rögzítése pótkocsikon és tehergépkocsikon. A szerszám csak biztonságos munkaterületeken használható. Ha munka közben testhelyzetet vált, gondosan ügyeljen arra, hogy elkerülje a szerszám véletlen indítását.

IT Vietata la riproduzione senza permesso. Le copie non autorizzate di questo documento non garantiscono la Ezzek a szerszámok gyártási alkalmazásokban való használathoz készültek, például raklapok, bútorok és könnyűszerkezetes házak összeállításához, for illetve kárpitos munkákhoz. **NE** használja az eszközt érintkezésre működésbe lépő módon olyan alkalmazásokhoz, mint például dobozok, ládák lezárása, valamint szállításbiztosító rendszerek rögzítése pótkocsikon és tehergépkocsikon. A szerszám csak biztonságos munkaterületeken használható. Ha munka közben testhelyzetet vált, gondosan ügyeljen arra, hogy elkerülje a szerszám véletlen indítását.

## A SZERSZÁM ÜZEMI ELLENŐRZÉSE

FIGYELEM: Vegyen ki minden kötőelemet a szerszámból a szerszám üzemi ellenőrzése előtt.

△ **FIGYELEM!** Ha a szerszám leesett, vagy azt gyanítja, hogy sérült, hajtja végre a szerszám üzemi ellenőrzését A szerszám üzemi ellenőrzése szakaszban leírtak szerint.

## RAVASSzal MŰKÖDŐ SZERSZÁM:

- A) Vegye le az ujját a ravaszról, és fogja meg erősen a szerszámot a fogantyújánál.
- B) Tegye a szerszám orrát a munkafelületre.
- C) Húzza meg a ravaszt, és hajtja be a kötőelemet. Engedje fel a ravaszt, és ezzel a ciklus befejeződik.

**VIGYÁZAT:** A szerszám minden alkalommal működésbe lép, amikor a ravaszt meghúzza!

## FOLYTONOS RAVASSzal MŰKÖDŐ VAGY „AUTOMATIKUS” SZERSZÁM

- A) Vegye le az ujját a ravaszról, és fogja meg erősen a szerszámot a fogantyújánál.
- B) Tegye a szerszám orrát a munkafelületre.



## VÁLASZTHATÓ AKTIVÁLÁSI MÓD (6. hivatkozás a műszaki adatok táblázatának L(a) oszlopában)

Egyes szerszámok üzemmódváltó kapcsolóval vannak ellátva, mellyel kiválasztható, hogy szekvenciális aktiválási móddal vagy érintéssé aktiválási móddal akar-e dolgozni.

A kiválasztott üzemmódot az üzemmódváltó kapcsoló állása mutatja. Amennyiben az irányjelző nyíl lefelé, a szerszám vázára nyomtatott, több szöveget ábrázoló ikonra mutat, a szerszám érintéssé aktiválási módban fog működni. Amennyiben az irányjelző nyíl felfelé, a szerszám vázára nyomtatott, egy szöveget ábrázoló ikonra mutat, a szerszám szekvenciális aktiválási módban fog működni. A kívánt üzemmód kiválasztása



C) Húzza meg a ravaszt, és mozgassa a szerszámot egyik oldalról a másikra, vagy hátra és előre. A szerszám folytatja a ciklust, amíg a ravaszt fel nem engedi.

**VIGYÁZAT:** Ügyeljen rá, hogy a szerszámot erősen a munkafelülethez nyomja, és ne menjen közel munka közben a munkafelület széleihez. A kötélem kirepülhet a levegőbe, és balesetet okozhat.

DE Veriofältigung nicht ohne Genehmigung gestattet. Unzulässig die CE Richtlinie für Produkte.

#### HASZNÁLAT ÉRINTÉSES AKTIVÁLÁSI MÓDBAN

A) Az ujjait a ravasztól távol tartva nyomja a biztonsági kioldófejet a munkafelületnek.

**A SZERSZÁM NEM LÉPHET MŰKÖDÉSBE.**

B) Tartsa távol a szerszámot a munkafelülettől, és miközben elkerüli, hogy magára vagy másokra mutasson, húzza meg a ravaszt.

**A SZERSZÁM NEM LÉPHET MŰKÖDÉSBE.**

C) A szerszámot a munkafelülettől távol tartva húzza meg a ravaszt. Nyomja a biztonsági kioldófejet a munkafelületnek.

**A SZERSZÁMNAK MŰKÖDÉSBE KELL LÉPNIÉ.**

D) A ravasz megérintése nélkül nyomja a biztonsági kioldófejet a munkafelületnek, majd húzza meg a ravaszt.

**A SZERSZÁMNAK MŰKÖDÉSBE KELL LÉPNIÉ.**

CE-merking for produktet.

#### HASZNÁLAT RÉSZBEN SZEKVENCÍÁLIS AKTIVÁLÁSI MÓDBAN

A) A ravasz megérintése nélkül nyomja a biztonsági kioldófejet a munkafelülethez.

**A SZERSZÁM NEM LÉPHET MŰKÖDÉSBE.**

B) Tartsa távol a szerszámot a munkafelülettől, és miközben elkerüli, hogy magára vagy másokra mutasson, húzza meg a ravaszt.

**A SZERSZÁM NEM LÉPHET MŰKÖDÉSBE.**

C) A szerszámot a munkafelülettől távol tartva húzza meg a ravaszt. Nyomja a biztonsági kioldófejet a munkafelületnek.

**A SZERSZÁM NEM LÉPHET MŰKÖDÉSBE.**

D) A ravasz megérintése nélkül nyomja a biztonsági kioldófejet a munkafelülethez, majd húzza meg a ravaszt.

**A SZERSZÁMNAK MŰKÖDÉSBE KELL LÉPNIÉ.**

E) A biztonsági kioldófejet továbbra is a munkafelületnek nyomva húzza meg újra a ravaszt.

**A SZERSZÁMNAK MŰKÖDÉSBE KELL LÉPNIÉ.**

#### HASZNÁLAT TELJESEN SZEKVENCÍÁLIS AKTIVÁLÁSI MÓDBAN

A) A ravasz megérintése nélkül nyomja a biztonsági kioldófejet a munkafelülethez.

**A SZERSZÁM NEM LÉPHET MŰKÖDÉSBE.**

B) Tartsa távol a szerszámot a munkafelülettől, és miközben elkerüli, hogy magára vagy másokra mutasson, húzza meg a ravaszt.

**A SZERSZÁM NEM LÉPHET MŰKÖDÉSBE.**

C) A szerszámot a munkafelülettől távol tartva húzza meg a ravaszt. Nyomja a biztonsági kioldófejet a munkafelületnek.

**A SZERSZÁM NEM LÉPHET MŰKÖDÉSBE.**

D) A ravasz megérintése nélkül nyomja a biztonsági kioldófejet a munkafelülethez, majd húzza meg a ravaszt.

**A SZERSZÁMNAK MŰKÖDÉSBE KELL LÉPNIÉ.**

E) A biztonsági kioldófejet továbbra is a munkafelületnek nyomva húzza meg újra a ravaszt.

**A SZERSZÁM NEM LÉPHET MŰKÖDÉSBE.**

#### HASZNÁLAT FOLYAMATOS ÉRINTÉSES AKTIVÁLÁSI MÓDBAN:

A) Az ujjait a ravasztól távol tartva nyomja a biztonsági kioldófejet a munkafelületnek.

**A SZERSZÁM NEM LÉPHET MŰKÖDÉSBE.**

B) Tartsa távol a szerszámot a munkafelülettől, és miközben elkerüli, hogy magára vagy másokra mutasson, húzza meg a ravaszt.

**A SZERSZÁM NEM LÉPHET MŰKÖDÉSBE.**

C) A szerszámot a munkafelülettől távol tartva húzza meg a ravaszt. Nyomja a biztonsági kioldófejet a munkafelületnek, és csúsztassa a szerszámot egyik oldalról a másikra, vagy hátra és előre.

**A SZERSZÁMNAK MŰKÖDÉSBE KELL LÉPNIÉ, ÉS FOLYTATNIA A CIKLUST, AMIG A RAVASZT FEL NEM ENGEDI, VAGY A SZERSZÁMOT FEL NEM EMELI A MUNKAFELÜLETRŐL.**

D) A ravasz megérintése nélkül nyomja a biztonsági kioldófejet a munkafelületnek, majd húzza meg a ravaszt.

**A SZERSZÁMNAK MŰKÖDÉSBE KELL LÉPNIÉ, ÉS FOLYTATNIA A CIKLUST, AMIG A RAVASZT FEL NEM ENGEDI, VAGY A SZERSZÁMOT FEL NEM EMELI A MUNKAFELÜLETRŐL.**

# SZERSZÁMHASZNÁLAT

A szerszám megfelelő működésének ellenőrzése után nyomja le a szerszám orrát a munkadarabra, és húzza meg a ravaszt. Ellenőrizze, hogy a kötőelem megfelelően be lett-e hajtván.

- Ha a kötőelem nem hatolt be elég mélyen, 0,5 baronként (5–6 PSI) növelje a légnyomást, és minden állítást után ellenőrizze az eredményeket. Ne lépje túl a maximálisan megengedett üzemi nyomást (lásd a Szerszám műszaki adatai c. részt).
- Ha a kötőelem túl mélyre hatolt be, 0,5 baronként (5–6 PSI) csökkentse a légnyomást, és minden állítást után ellenőrizze az eredményeket. Ne próbáljon meg a javasolt minimális értéknél alacsonyabb üzemi nyomást alkalmazni (lásd a Szerszám műszaki adatai c. részt).

Mindig a lehető legalacsonyabb légnyomással próbáljon dolgozni. Ez csökkenti a zajt és a vibrációt, és megnöveli az olyan belső komponensek élettartamát, mint az ütközők.

## A KÉZIKÖNYVBEN FOGLALT EGYEB FIGYELMEZTETÉSEKEN TÚL TARTSA BE AZ ALÁBBI, A BIZTONSÁGI ÜZEMELTETÉSRE VONATKOZÓ ELŐÍRÁSOKAT IS:

- A BOSTITCH pneumatikus rögzítőszerszámot tekintse szerszámnak. Ez nem játék. Nem szabad szórakozásból használni.
- A BOSTITCH pneumatikus szerszám csak rendeltetésszerűen használható.
- Soha ne használja a szerszámot oly módon, aminek következtében a kötőelem a felhasználó vagy a munkaterületen tartózkodó más személyek felé irányulhat.
- Ne használja a szerszámot kalapácsként.
- Mindig a fogantyúnál fogja meg a szerszámot. Soha ne vigye a szerszámot a légtömlőnél fogva. Soha ne vigye a szerszámot a ravasznál fogva.
- A BOSTITCH írásos jóváhagyása nélkül ne módosítsa vagy ne alakítsa át a szerszámot annak eredeti kialakításához vagy funkciójához képest.
- Mindig tartsa észben, hogy a szerszám nem rendeltetésszerű vagy nem megfelelő kezeléssel Önnek és másoknak balesetet okozhat.
- Soha ne rögzítse vagy ragassza le a ravaszt vagy a biztonsági kioldófejet aktivált helyzetben.
- Soha ne hagyja a szerszámot felügyelet nélkül csatlakoztatott légtömlővel.

- Soha ne használja a szerszámot, ha nincs rajta jól olvasható FIGYELMEZTETŐ CÍMKÉ.
- Ne folytassa a szerszám használatát, ha az nem megfelelően működik vagy szivárog belőle a levegő. Értesítse a legközelebbi BOSTITCH-képviselet, ha a szerszámmal kapcsolatban folyamatosan működési problémákat tapasztal.
- Üzemeltetés közben úgy tartsa a szerszámot, hogy az ne okozhasson balesetet a fején vagy a testén, ha a szerszám visszarugása a légnyomás csökkenése miatt vagy a munkadarabban lévő kemény felületek miatt megnő.
- Ne dolgozzon a munkadarab sarkaihoz vagy széléhez közel. A kötőelem lecsúszhat a munkadarabról, és ez balesetet okozhat.
- A szerszám szállításához először válassza le a légvezetéket.
- Ellenőrizze, hogy a biztonsági kioldófeje (ha van) és a ravasz megfelelően működik-e.
- Ne szerelje le vagy blokkolja a szerszám semelyik alkatrészét, különösen a biztonsági kioldófejet ne.
- Kerülje a szerszám lyukasztással vagy gravírozással való gyengítését.



- Ne használjon sérült, kopott vagy elhasználdott levegőtömlőket és szerelvényeket.



- Ne hordozza a szerszámot a tömlőnél fogva.

- A pneumatikus szerszámok használata során ügyeljen arra, hogy a szerszám lehűlhet, így nehezebben tartható és irányítható.

## Ismétlődő mozgások veszélyei

- A szerszám hosszabb ideig tartó használata során a kezelő kellemetlen érzést tapasztalhat a kezében, a karjában, a vállában, a nyakában vagy más testrészein.

Ezzel kapcsolatban a következőkre kell figyelni:

- A szerszám használata során a kezelőnek megfelelő, ergonomikus testtartásban kell dolgoznia. Álljon biztosan a lábán, és kerülje a kényelmetlen, nem egyensúlyban lévő testhelyzeteket.
- Ha a kezelő különféle tüneteket tapasztal, például tartós vagy visszatérő kellemetlen érzést, fájdalmat,

Ülketést, bizsergést, zsidbadást, égő érzést vagy merevséget, ne hagyja figyelmen kívül ezeket a figyelmeztető jeleket. A kezelőnek konzultálnia kell egy képzett egészségügyi szakemberrel a tevékenységekkel kapcsolatban.

## Munkahelyi ártalmak

- Az elcsúszások, az elbotlások és az elesések a munkahelyi sérülések leggyakoribb okai. Ügyeljen a szerszám használata következtében csúszóssá váló felületekre, valamint a légtömlő jelentette botlásveszélyre.
- Nem ismerős környezetekben még nagyobb óvatossággal járjon el. Rejtett veszélyek állhatnak fenn, például elektromos és egyéb vezetékek.
- A szerszám nem alkalmas potenciálisan robbanásveszélyes légkörben való használatra, és az elektromos árammal való kapcsolat esetére nincs szigetelve.

- Ellenőrizze, hogy nincsenek-e többek között elektromos kábelek vagy gázvezetékek, amelyek sérülés esetén veszélyt jelenthetnek.

## Fennmaradó kockázatok

Az alábbi kockázatok rejlnek a szerszámok használatában:

- A szerszám nem megfelelő kezelése sérüléseket okozhat.
- A szerszám elszabadulhat, ha nem elég erősen tartja.
- A kar és a kéz izmai meghúzódhatnak, különösen ha a szerszámot a feje felett tartja. Hosszabb ideig tartó használat esetén rendszeresen tartson szünetet.

A vonatkozó biztonsági előírások betartása és a biztonsági berendezések alkalmazása ellenére bizonyos fennmaradó kockázatok nem kerülhetők el. Ezek a következők:

- halláskárosodás,
- a repülő részecskék által okozott személyi sérülés veszélye,
- a tartozékok a használat közbeni felforrósodásából eredő égési sérülések veszélye,
- a hosszan tartó használat következtében kialakuló személyi sérülés veszélye,
- a szerszám a visszarúgás okozta elszabadulása,
- a becsípődési pontok, az éles peremek és a munkadarab helytelen kezelése által okozott sérülések veszélye,

- az éles peremek által okozott sérülések veszélye a szögek cseréjekor és a ragasztott szögek behelyezésekor.

## ZAJKIBOCSÁTÁS (lásd a Szerszám műszaki adatai c. részt)

A szerszám jellemző zajértékei az EN 12549 („Akusztika. Kötőelem-beütő gépek zajvizsgálati előírásai. Műszaki módszer”) szerint vannak meghatározva.

Ezek az értékek a szerszámra vonatkozó jellemzők, és nem a felhasználási ponton okozott zajszintet jelölik. A felhasználási ponton a zajszint pl. a munkahelyi környezettől, a munkadarabtól, a munkadarab szupportjától és a hajtási műveletek számától, stb. függ.

A munkahelyen a feltételektől és a munkadarab formájától függően egyéni zajcsökkentő intézkedésekre lehet szükség, pl. arra, hogy a munkadarabokat a vibrációt megelőző zajcsökkentő szupportra helyezik rögzítés vagy lefedés útján, és az adott feladathoz a szükséges légnymórást a minimumra állítják stb.

## VIBRÁCIÓS ADATOK (lásd a Szerszám műszaki adatai c. részt)

A szerszám jellemző vibrációs értéke az ISO/WD 8662-11 („A vibráció mérése a kéziszerszámokban – 11. rész Kötőelem-beütő szerszámok”) szerint van megállapítva.

Ez az érték a szerszámmal kapcsolatos jellemző, és nem a szerszám használatakor a kézre és karra gyakorolt hatást jelöli. A szerszám használatakor a kézre és karra gyakorolt hatás például a szorítóerőtől, a kontakterőtől, a munkavégzés irányától, a sűrített levegő ellátásának beszbályozásától, a munkadarabtól, a munkadarab szupportjától stb. függ.

GB Not to be reproduced without permission. Unauthorised copies of this document do not constitute CE compliance for the products.

FR Reproduction interdite sans permission préalable. Les copies non autorisées de ce document ne signifient en rien que les produits soient conformes aux normes CE.

DE Vervielfältigung nicht ohne Genehmigung gestattet. Unzulässige Kopien dieses Dokuments erfüllen nicht die CE-Richtlinien für Produkte.

NL Mag niet worden vernenigvuldigd zonder toestemming. Unrechtmatige kopieën van dit document willen niet zeggen dat de producten voldoen aan de CE-vereisten.

DK Må ikke gengives uden tilladelse. Uautoriserede kopier af dette dokument udgør ikke CE-overholdelse for produkterne.

FI Ei saa julkentää ilman lupaa. Tämän asiakirjan ilman valtuutusta tehty kappi ei välttämättä muotoilu- tai tuotteille CE-vaatimuksia täyttävää.

GR Απαγορεύεται η αναπαραγωγή χωρίς προηγούμενη άδεια. Τα μη εξουσιοδοτημένα αντίγραφα του παρόντος εγγράφου δεν αποτελούν συμμόρφωση CE για τα προϊόντα.

A) A levegőrendszerhez

B) Fővezetékek (3 x a sűrített levegővel működő szerszám bemenetének mérete)

C) A sűrített levegővel működő szerszámhoz

D) Vészkapuszelep

E) Kenőberendezés

F) Szabályzó

G) Mellékvonal (2 x a sűrített levegővel működő szerszám bemenetének mérete)

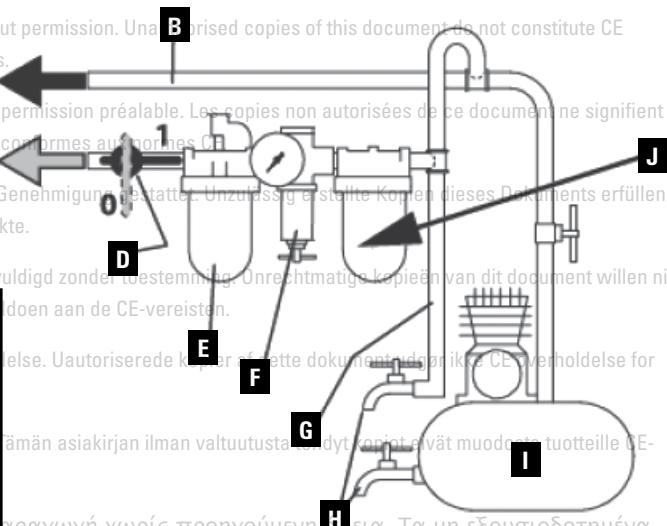
H) Elvezetés

I) Kompresszor

J) Szűrő

K) 1/4 hüvelykes NPT magasáramú szerelvény

L) Min. 3/8 hüvelykes (10 mm-es) belső átmérőjű levegőtömlő



## A SZERSZÁM ÜZEMBE ÁLLÍTÁSA

A légkompresszor és a levegőkenő berendezés közé egy levegőszűrő egységet (J) kell elhelyezni, hogy biztosítsa a szerszám tiszta levegőellátását. A víz és a szennyeződés károsíthatja a pneumatikus szerszámokat (lásd a fenti ábrát).

## HIBAKERESÉS ÉS KARBANTARTÁS

A javítást csak a BOSTITCH meghatalmazottai vagy más szakértők végezhetik, különösen figyelembe véve az e kézikönyvben, az adott szerszám kézikönyvében és a Szerszám műszaki adataiban ismertetett biztonsági, üzemeltetési és karbantartási utasításokat.

- Válassza le a szerszámot a levegőellátásról, és teljesen ürítse ki a tárat a karbantartás vagy javítás megkezdése előtt. Vegye figyelembe a kézikönyvben

a Szerszám műszaki adatai c. részben vagy a magán a szerszámon látható figyelmeztetéseket, és fordítson nagy gondot a problémás szerszámok kiértékelésére.

- Csak eredeti BOSTITCH-cserealkatrészeket szabad használni. Ne használjon módosított alkatrészeket vagy olyan alkatrészeket, amelyek nem biztosítanak az eredeti berendezéssel azonos teljesítményt.
- A szerszám karbantartásakor ügyeljen arra, hogy a belső alkatrészek tiszták legyenek és legyenek tekenve. Parker „O”-Lube vagy ezzel egyenértékű kenőolajat használjon az összes O- gyűrűhöz. Vonjon be minden O-gyűrűt „O”-Lube kenőanyaggal az összeszerelés előtt. Az összes mozgó felületen és forgócsapon használjon egy kis mennyiségű olajat. Az ismételt összeszerelés után és a tesztelés előtt cseppentsen be néhány csepp BOSTITCH Air Tool kenőanyagot a légvezetéken át.

• A szerszám karbantartására vonatkozó további konkrét utasításokat megtalálja a Szerszám műszaki Adatái c. részben.

• Ha a probléma nem oldható meg az alábbi útmutató segítségével, forduljon a legközelebbi BOSTITCH-képviseelőhöz vagy forgalmazóhoz.

compliance for the products.

PROBLÉMA	OK	KORREKCIÓ
Nem lép működésbe	Korlátozott a levegőellátás A szerszám száraz, hiányzik a kenés	Ellenőrizze a levegőellátó berendezést Használjon BOSTITCH Air Tool kenőanyagot
NL Mag niet worden vermenigvuldigd en/of verspreid zonder de toestemming van de afzetter. Het kopiëren van dit document willen niet zeggen dat de producten voldoende zijn.	Elkoptak a fejszelep O-gyűrűi (Ha vannak)	Cserélje ki az O-gyűrűket
DK Må ikke gengives uden tilladelse af produktene.	Eltörtött a hengerfej rugója A fejszelep (ha van) beakadt	Cserélje ki a hengerfej rugóját Szerelje szét/ellenőrizze/kenje le
F Nincs teljesítmény, lassú a ciklus	A légnyomás túl alacsony	Ellenőrizze a levegőellátó berendezést
GR Απαγορεύεται η αναπαραγωγή ή η χρήση προτύπων ή άλλων αντιγράφα του παρόντος εντύπου.	A szerszám száraz, nincs kenés Eltörtött a hengerfej rugója	Használjon BOSTITCH Air Tool kenőanyagot Cserélje ki a hengerfej rugóját
IT Vietata la riproduzione senza permesso. Le copie non autorizzate di questo documento non supponen la conformità CE per i relativi prodotti.	Az O-gyűrűk/tömítőgyűrűk elszakadtak vagy megrongálódtak	Cserélje ki az O-gyűrűket/tömítőgyűrűket
NO Skal ikke reproduseres uten tillatelse av dette dokumentet for CE-marking for produktet.	A kipufogó eltömődött	Ellenőrizze az ütközőt, a fejszelep rugóját, a hangtompítót
PT Reprodução proibida sem autorização via. As cópias não autorizadas deste documento não estão em conformidade com a CE para os produtos.	A ravasz szerelvénye kopott/ szivárog A henger hüvelye nem ül a helyén	Cserélje ki a ravasz szerelvényét Szerelje szét, és korrigálja
ES Prohíbida la reproducción sin permiso. Las copias no autorizadas de este documento no suponen la conformidad con las normas CE de los productos.	A fejszelep száraz	Szerelje szét/kenje le
SE Prohíbida la reproducción sin permiso. Las copias no autorizadas de este documento no suponen la conformidad con las normas CE de los productos.	Az O-gyűrű elszakadt vagy megrongálódott	Cserélje ki az O-gyűrűt
P A ravasz szelepszárából szivárog a levegő	Az O-gyűrűk/tömítőgyűrűk elszakadtak vagy megrongálódtak	Cserélje ki az O-gyűrűket/tömítőgyűrűket
A vázból/orr-részből szivárog a levegő	Az O-gyűrű vagy a tömítőgyűrű elszakadt vagy megrongálódott	Cserélje ki az O-gyűrűt vagy a tömítőgyűrűt
C A vázból/fejből szivárog a levegő	Az ütköző megrongálódott/elkopott	Cserélje ki az ütközőt
SK Rozmnožovanie bez povolenia je zakázané. Neoprávnené kópie tohto dokumentu nie sú v súlade s CE pre dané produkty.	Sérült tömítőgyűrű vagy tömítés	Cserélje ki a tömítőgyűrűt vagy a tömítést
HU A dokumentum engedély nélkül nem állítható ki. Engedély nélkül a dokumentum nem jelenti a termék CE-megfelelőségét.	Sérült/kopott fejszelepütköző Laza fejszavarok	Cserélje ki az ütközőt Húzza meg, és ellenőrizze újra
R Lecsúszó kötőelemek; közbülső adagolás	Kopott ütköző	Cserélje ki az ütközőt

PROBLÉMA	OK	KORREKCIÓ
GB Not to be reproduced without permission for compliance for the products.	Korlátozott/nem megfelelő levegőáramlás a gyors lekapcsolós dugós aljazaton át	Cserélje ki a gyors lekapcsolós szerelvényeket
FR Reproduction interdite sans permission préalable. Les copies non autorisées de ce document ne signifient en rien que les produits soient conformes aux normes CE.	Kopott dugattyús O-gyűrű (ha van)	Cserélje ki az O-gyűrűt, ellenőrizze a hajtást
DE Vervielfältigung nicht ohne Genehmigung gestattet. Unzulässig erstellte Kopien nicht die CE-Richtlinien für Produkte.	A szerszám száraz, nincs kenés	Használjon BOSTITCH Air Tool kenőanyagot
NL Mag niet worden vernoemguldigt zonder toestemming. Onrechtmatig kopieren van dit document willen niet zeggen dat de producten voldoen aan de CE-normen.	Sérült nyomórugó Alacsony légnyomás	Cserélje ki a rugót Ellenőrizze a levegőt a szerszámhoz adagoló rendszert
DK Må ikke gengives uden tilladelse. Hvert særtryk kniber af dette dokument udgør ikke CE-overholdelse for produkterne.	Laza tár/orrcsavarok	Húzza meg az összes csavart
FI Ei saa jäljentää ilman lupaa. Tämä on kiellettyä kopioida ilman valtuutusta tehty dokumentin kopioita tuotteen CE-yhdenmukaisuutta.	A kötőelemek túl rövidek a szerszámhoz Meghajlott kötőelemek	Csak az ajánlott kötőelemeket használja Ne használja tovább ezeket a kötőelemeket
GR Απαγορεύεται η αναπαραγωγή χωρίς προηγούμενη άδεια. Τα μη εξουσιοδοτημένα αντίγραφα του παρόντος κειμένου αποτελούν συμπλήρωση της CE για τα προϊόντα.	Rossz méretű kötőelemek	Csak az ajánlott kötőelemeket használja
IT Vietata la riproduzione senza permesso. Le copie non autorizzate di questo documento non supponen la conformità CE per i relativi prodotti.	Szivárgás a fej tömítésénél	Húzza meg a csavarokat/cserélje ki a tömítést
NO Skal ikke reproduseres uten tillatelse. Ikke tillatente kopier av dette dokumentet er kravene for CE-merking for produktet.	A ravasz szelepének O-gyűrűje elszakad/elkopott	Cserélje ki az O-gyűrűt
PT Reprodução proibida sem autorização prévia. As cópias não autorizadas deste documento não estão em conformidade com a CE para os produtos.	Törött/meghibásodott hajtás Száraz/elszennyeződött tár	Cserélje ki a hajtást (ellenőrizze a dugattyú O-gyűrűjét)
ES Prohibida la reproducción sin permiso. Las copias no autorizadas de este documento no suponen la conformidad con las normas CE de los productos.	Kopott tár	Tisztítsa meg/kenje le, BOSTITCH Air Tool kenőanyagot használjon Cserélje ki a tárat
SE Prohibida la reproducción sin permiso. Las copias no autorizadas de este documento no suponen la conformidad con las normas CE de los productos.	A hajtáscsatorna elkopott	Cserélje ki az orr-részt/ellenőrizze az ajtót
PL Niniejszy dokument nie może być kopiowany bez pozwolenia. Nieautoryzowane kopie niniejszego dokumentu nie stanowią deklaracji zgodności CE prezentowanych produktów.	Rossz méretű kötőelemek Meghajlott kötőelemek	Csak az ajánlott kötőelemeket használja Ne használja tovább ezeket a kötőelemeket
CZ Niniejszy dokument nie może być kopiowany bez pozwolenia. Nieautoryzowane kopie niniejszego dokumentu nie stanowią deklaracji zgodności CE prezentowanych produktów.	Laza tár/orrcsavarok	Húzza meg az összes csavart
SK Rozmnožovanie bez povolenia je zakázané. Neoprávnené kopie tohto dokumentu nie sú CE pre dané výrobky.	Törött/meghibásodott hajtás	Cserélje ki a hajtást (ellenőrizze a dugattyú O-gyűrűjét)

HU

HU A dokumentum engedély nélkül nem sokszorosítható. Az engedély nélkül sokszorosított dokumentum nem jelenti a termék CE-megfelelőségét.

RO Reproducerea neautorizată este interzisă. Copiile neautorizate ale acestui document nu reprezintă conformitatea CE pentru produse.

# MANUAL DE OPERARE ȘI SIGURANȚĂ



ÎNAINTE DE A UTILIZA ACEASTĂ UNEALTĂ, TOȚI OPERATORII TREBUIE SĂ STUDIEZE ACEST MANUAL ȘI DATELE TEHNICE ALE UNELTEI PENTRU A ÎNȚELEGE ȘI RESPECTA:

AVERTIZĂRILE DE SIGURANȚĂ ȘI INSTRUCȚIUNILE. PĂSTRAȚI ACESTE INSTRUCȚIUNI ÎMPREUNĂ CU UNEALTA PENTRU CONSULTARE ULTERIOARĂ. DACĂ AVEȚI ÎNTREBĂRI, CONTACTAȚI REPREZENTANTUL SAU DISTRIBUTORUL DVS. BOSTITCH.

ÎNAINTE DE A UTILIZA ACEASTĂ UNEALTĂ, CONSULTAȚI TABELUL DE DATE AL UNELTEI, COLOANA L DIN MANUALUL DE DATE TEHNICE AL UNELTEI, PENTRU A IDENTIFICA SISTEMUL DE OPERARE AL UNELTEI.

**Aceste unelte de antrenare a elementelor de fixare sunt unelte electrice profesionale.**

NU permiteți copiilor să intre în contact cu unealta. Este necesar ca operatorii fără experiență să fie supravegheați atunci când utilizează unealta.

• Copii mici și persoane cu handicap. Acest aparat nu este proiectat pentru a fi utilizat de către copii mici sau de persoane cu handicap fără supraveghere.

• Acest produs nu este proiectat pentru a fi utilizat de către persoane (inclusiv copii) care suferă de diminuarea capacităților fizice, senzoriale sau mentale, respectiv care prezintă o lipsă de experiență, cunoștințe sau aptitudini dacă nu sunt supervizate de către o persoană responsabilă cu siguranța acestora. Copiii nu trebuie lăsați niciodată singuri cu produsul.

• Unealta de antrenare a elementelor de fixare va fi utilizată numai de către operatori cu abilități tehnice.

• Nu modificați unealta de antrenare a elementelor de fixare. Modificările pot reduce eficiența măsurilor de siguranță și pot mări riscurile pentru operatori și/sau persoanele din apropiere.

Unelele BOSTITCH sunt construite cu precizie și proiectate pentru asamblări la viteză și volum mare. Acestea vor asigura o operare eficientă, de încredere, dacă sunt folosite corect și cu grijă. La fel ca în cazul oricărei unelte electrice performante, trebuie respectate instrucțiunile producătorului pentru a obține cele mai bune rezultate. Studiați acest manual și înțelegeți avertizările de siguranță și precauțiile înainte de a utiliza unealta. Instrucțiunile referitoare la instalare, operare și întreținere trebuie citite

cu atenție, iar manualele trebuie păstrate pentru referință. Notă: În funcție de aplicația specifică pentru care utilizați unealta, pot fi necesare măsuri de siguranță suplimentare. Contactați reprezentantul sau distribuitorul BOSTITCH cu orice întrebări referitoare la unealta și la utilizarea acesteia.

## NOTĂ:

Unelele BOSTITCH au fost proiectate pentru a asigura satisfacție maximă clientului și pentru obținerea performanței maxime atunci când sunt utilizate cu elemente de fixare de precizie marca BOSTITCH, fabricate la aceleași standarde exigente.

**BOSTITCH nu își asumă responsabilitatea pentru performanța produselor dacă uneltele noastre sunt utilizate cu elemente de fixare sau accesorii care nu îndeplinesc cerințele specifice stabilite pentru cuiele, capsele și accesoriiile originale.**

## GARANȚIE LIMITATĂ

BOSTITCH are încredere în calitatea produselor sale și oferă o garanție pentru utilizatorii profesioniști ai acestui produs. Această declarație de garanție completează și nu prejudiciază în niciun fel drepturile dvs. legale în calitate de utilizator privat, non-profesionist. Garanția este valabilă pe teritoriile statelor membre ale Uniunii Europene și în Zona Europeană de Comerț Liber.

Dacă produsul dvs. BOSTITCH se defectează din cauza materialelor cu defecte sau a calității execuției în decurs de 12 luni de la data achiziției, BOSTITCH garantează înlocuirea gratuită a tuturor pieselor defecte sau înlocuirea gratuită, la latitudinea noastră, a unității, cu respectarea următoarelor condiții:

• **Produsul să nu fi fost utilizat incorect** • **Produsul să fi fost supus unei uzuri rezonabile; Discurile de antrenare, protecțiile și garniturile inelare sunt considerate, de regulă, piese de uzură și sunt excluse** • **Să nu se fi încercat efectuarea de reparații de către persoane neautorizate** • **Să se facă dovada achiziției** • **Produsul să fie returnat complet, cu toate componentele originale** • **Produsul să fie returnat pe cheltuiala dvs., împreună cu dovada de achiziție, la centrul nostru de reparații regional sau la un centru de garanții autorizat.**

Dacă doriți să faceți o reclamație, contactați distribuitorul local sau verificați locația celui mai apropiat agent de reparații autorizat BOSTITCH din catalogul BOSTITCH sau contactați biroul local BOSTITCH la adresa indicată în acest manual.

## REFERINȚE SPECIALE

Numai acele elemente de fixare specificate în instrucțiunile de operare (vezi Fișa tehnică a unelei) trebuie utilizată la unealtă. Pentru siguranță, unealta și elementele de fixare specificate trebuie considerate un sistem de siguranță unitar.

Înainte de utilizare, verificați întotdeauna pentru a vedea dacă unealta nu prezintă componente deteriorate, conectate eronat sau uzate.

Reparațiile trebuie executate numai de către agenți autorizați BOSTITCH sau alți experți, acordând atenția cuvenită instrucțiunilor de siguranță, operare și întreținere din acest manual, manualului unelei respective și Fișei tehnice a unelei.

**Notă:** experții sunt acele persoane care, în urma instruirii sau experienței profesionale, au acumulat suficientă experiență în domeniul uneltelor de antrenare a elementelor de fixare, astfel încât să poată evalua starea de siguranță a acestora.

Suporturile sau dispozitivele de prindere pentru fixarea unelei la un suport, de exemplu bancul de lucru, vor fi proiectate și fabricate de producător astfel încât unelele de antrenare a elementelor de fixare să poată fi fixate în siguranță pentru scopul proiectat, evitându-se deteriorarea, deformarea sau deplasarea.

## ⚠️ INSTRUȚIUNI DE SIGURANȚĂ



Operatorul unelei și alte persoane aflate în zona de lucru trebuie să poarte **OCHELARI DE PROTECȚIE**, care să protejeze împotriva particulelor aruncate atât din **FAȚĂ**, cât și din **LATERAL** atunci când încarcă, utilizează sau repară această unealtă. Ochelarii de protecție sunt necesari pentru a proteja împotriva elementelor de fixare și a resturilor proiectate, care pot provoca răni severe la ochi. Angajatorul și/sau utilizatorul trebuie să asigure purtarea corespunzătoare a ochelarilor de protecție.

Se vor utiliza ochelari de protecție în conformitate cu directiva 89/686/CEE, cu un grad de protecție egal sau superior celui specificat în EN166. Cu toate acestea, trebuie luate în considerare toate aspectele referitoare la munca operatorului, mediu și alte tipuri de mașini folosite atunci când se alege orice echipament de protecție personală.



## ATENȚIE: în unele medii pot fi necesare MĂSURI DE SIGURANȚĂ SUPPLEMENTARE.

De exemplu, zona de lucru poate include expunerea la niveluri de zgomot care afectează auzul. Angajatorul și utilizatorul trebuie să se asigure că toate măsurile necesare de protecție a auzului sunt furnizate și utilizate de către operator și celelalte persoane din zona de lucru. Unele medii vor necesita utilizarea unui echipament pentru protecția capului. Când este necesar, angajatorul și utilizatorul trebuie să se asigure de folosirea echipamentului pentru protecția capului.

## PERICOLE LEGATE DE ZGOMOT

- Expunerea neprotejată la niveluri ridicate de zgomot pot cauza handicap permanent, pierderea auzului și alte probleme precum tinnitus (țiuit, bâzâit, fluierat sau vâjâit în urechi).
- Evaluarea riscului și implementarea de controale adecvate pentru aceste pericole sunt esențiale.
- Controalele adecvate pentru reducerea riscului pot include acțiuni precum materiale de amortizare, care să prevină „bâzâitul” pieselor de prelucrat.
- Utilizați sisteme adecvate de protecție auditivă.
- Operați și întrețineți unealta conform recomandărilor din aceste instrucțiuni, pentru a preveni o creștere nedorită a nivelurilor de zgomot.

- Dacă unealta este prevăzută cu amortizor de zgomot, asigurați-vă că este întotdeauna instalat și în stare bună de funcționare atunci când unealta este utilizată.

## PERICOLE LEGATE DE VIBRAȚII

- Informațiile pentru efectuarea unei evaluări de risc a acestor pericole și implementarea de măsuri de control adecvate sunt esențiale.
- Expunerea la vibrații poate cauza afecțiuni cu deteriorarea nervilor și a fluxului sanguin la mâini și brațe.
- Când lucrați la temperaturi reduse, purtați haine călduroase și păstrați mâinile calde și uscate.
- Dacă simțiți amorțeală, furnicăături, durere sau decolorarea pielii la degete sau mâini, solicitați sfaturi medicale din partea unui specialist calificat în sănătate ocupațională cu privire la activitățile în ansamblu.



• Operați și întrețineti unealta conform recomandărilor din aceste instrucțiuni, pentru a preveni o creștere nedorită a nivelurilor de vibrație.

• Țineți unealta utilizând o forță de prindere ușoară, dar sigură, deoarece riscul de vibrații este, în general, mai mare atunci când forța de prindere este mai mare.

## ▲ INSTRUȚIUNI DE SIGURANȚĂ PENTRU ALIMENTAREA CU AER ȘI CONEXIUNI



Nu utilizați oxigen și gaze combustibile ca sursă de energie pentru uneltele acționate pneumatice.

Nu utilizați gaze îmbuteliolate în sisteme pneumatice în care presiunea maximă a sistemului poate depăși presiunea maximă declarată în manualul unelei, deoarece unealta se poate avaria și poate provoca accidente. Dacă presiunea maximă de alimentare cu aer ar putea depăși aceste valori, atunci sursa de aer trebuie să includă un ventil de reducere a presiunii prevăzut cu o supapă de siguranță situată în aval.

• Nu apăsați declanșatorul sau furca de siguranță în timpul racordării unelei la sursa de alimentare cu aer. Unealta se poate activa, provocând vătămări.

• Conectorul de pe unealtă nu trebuie să rămână sub presiune atunci când alimentarea cu aer este decuplată. Dacă este utilizat un fitting necorespunzător, unealta poate rămâne încărcată cu aer după deconectare, fiind astfel capabilă să antreneze un element de fixare chiar după debransarea conductei pneumatice, provocând vătămări.

• Deconectați întotdeauna alimentarea cu aer:  
1) Înainte de efectuarea reglărilor; 2) La repararea unelei; 3) La eliminarea unui blocaj; 4) Când unealta nu este utilizată; 5) La deplasarea într-o zonă de lucru diferită, deoarece se poate produce declanșarea accidentală, provocând vătămări.

## ▲ INSTRUȚIUNI DE SIGURANȚĂ PENTRU ÎNCĂRCAREA UNELTEI

La încărcarea unelei: 1) Nu puneți niciodată mâna sau orice altă parte a corpului în zona de descărcare a elementelor de fixare ale unelei; 2) Nu îndreptați niciodată unealta către dvs. sau alte persoane; 3) Nu apăsați declanșatorul sau furca de siguranță, deoarece se poate produce declanșarea accidentală, provocând vătămări.

**Notă: Consultați manualul separat al Fișei tehnice a unelei pentru instrucțiuni de încărcare specifice și dimensiuni ale elementelor de fixare recomandate.**

## ▲ INSTRUȚIUNI DE SIGURANȚĂ PENTRU OPERAREA UNELTEI

• Manipulați întotdeauna unealta cu atenție: 1) Nu vă angajați niciodată în glume fără rost; 2) Nu apăsați niciodată pe declanșator decât dacă vârful unelei este îndreptat spre obiectul prelucrat; 3) Țineți celelalte persoane la o distanță sigură de unealtă în timpul utilizării acesteia, deoarece se poate produce declanșarea accidentală, cauzând vătămări.

• Operatorul nu trebuie să țină declanșatorul apăsat la uneltele prevăzute cu furcă de siguranță, cu excepția operațiilor de fixare, deoarece se pot produce vătămări serioase dacă furca intră accidental în contact cu o persoană sau un obiect, fapt care provoacă activarea unelei.

• Țineți mâinile și corpul la distanță de zona de descărcare a unelei. O unealtă prevăzută cu furcă de siguranță poate ricoșa în urma antrenării unui element de fixare și un al doilea element ar putea fi antrenat, având ca rezultat posibil vătămări.

• Verificați frecvent funcționarea mecanismului furcii de siguranță. Nu utilizați unealta dacă brațul nu funcționează corect, deoarece poate rezulta antrenarea accidentală a unui element de fixare. Nu interveniți în funcționarea normală a mecanismului furcii de siguranță.

• Nu antrenați elemente de fixare peste alte elemente de fixare, deoarece acest lucru poate provoca devierea elementelor și vătămarea.

• Nu antrenați elemente de fixare aproape de marginea piesei prelucrate, deoarece lemnul se poate despică, permițând devierea elementului de fixare și vătămarea.

• Nu vă întindeți exagerat. A se utiliza numai în locații de lucru sigure. Asigurați în permanență o poziție și un echilibru adecvate.

• Țineți spectatorii la distanță (când lucrați într-o zonă unde există probabilitatea unui trafic ridicat de persoane). Marcați cu claritate zona de lucru.

• Utilizați întotdeauna al doilea mâner (dacă este furnizat).

• Purtați numai mănuși care asigură o percepție tactilă adecvată și un control în siguranță al declanșatoarelor și al oricărui dispozitive de reglare.

• În timpul utilizării, este posibilă evacuarea de resturi de la piesa de prelucrat și de la sistemul de fixare.

• Fiți atent la uneltele fără contact cu piesa de prelucrat, deoarece acestea pot fi acționate accidental și pot vătăma operatorul și/sau spectatorii.

• Asigurați-vă că unealta este întotdeauna în contact sigur cu piesa de prelucrat și că nu poate aluneca.

• Asigurați o poziție echilibrată și un sprijin sigur pe picioare.

• Se vor utiliza ochelari de siguranță corespunzători și se recomandă utilizarea de mănuși și de îmbrăcăminte de protecție.

## ▲ INTRUCȚIUNI DE SIGURANȚĂ PENTRU ÎNTREȚINEREA UNELTEI

Atunci când lucrați la uneltele pneumatice, rețineți avertismentele din acest manual, din instrucțiunile specifice unelei și de pe unealta însăși și dați dovadă de atenție sporită la evaluarea uneltelei cu probleme.

## ▲ SURSA DE ALIMENTARE CU AER ȘI CONEXIUNILE

Când se conectează uneltele la sursa de alimentare cu aer, zona de descărcare a elementelor de fixare pentru unealtă trebuie orientată la distanță de operator și de celelalte persoane din zona de lucru. Amplasați zona de descărcare a unelei deasupra unui material de testare de grosime suficientă care va acoperi complet dimensiunile elementului de fixare ce urmează a fi antrenat. Sursa de alimentare cu aer poate fi conectată dacă membrele și corpul dvs. se află în afara zonei de descărcare a unelei.

Pentru a preveni declanșarea accidentală și posibilă vătămare, deconectați întotdeauna sursa de aer:

1. Înainte de efectuarea reglajelor.
2. Când se efectuează operații de întreținere/reparații ale unelei.
3. La eliminarea unui blocaj.
4. Atunci când unealta nu este utilizată.
5. La deplasarea într-o altă zonă de lucru, deoarece se pot produce vătămări din cauza declanșării accidentale.

• Compresoarele trebuie dimensionate adecvat, pentru a asigura suficientă presiune și debit volumetric pentru utilizarea preconizată. Căderile de presiune din sursa de alimentare cu aer pot reduce puterea de antrenare a unelei. Consultați Fișa tehnică a unelei pentru reglarea presiunii corecte de alimentare a unelei.

• Conductele de aer industriale trebuie aranjate în pantă, cu cel mai înalt punct situat lângă compresor. Oale de condens ușor accesibile trebuie montate în cele mai joase puncte - Goliți oalele

de condens cel puțin o dată pe zi sau mai des dacă este necesar. Murdăria și apa din sursa de alimentare cu aer sunt cauze importante de uzură a uneltelei pneumatice. Punctele de conectare ale unelei trebuie prevăzute cu un filtru/regulator/unitate de service chiar pe acestea. Un filtru va ajuta la obținerea celei mai bune performanțe și va minimiza uzura. Filtrul trebuie să aibă o capacitate de debit adecvată instalației respective. Filtrul trebuie păstrat curat pentru a furniza unelei în mod eficient aer comprimat curat. Consultați instrucțiunile producătorului referitoare la întreținerea corectă corespunzătoare a filtrului dvs.

Un filtru murdar și înfundat va produce o cădere de presiune care va reduce performanța unelei.

- Racordurile dintre conductele de aer industriale și unealtă trebuie efectuate în partea superioară a conductei de aer.
- Furtunurile de aer trebuie să aibă o valoare minimă a presiunii de lucru de 10,6 bar sau 150% din presiunea maximă care poate fi furnizată în sistemul de aer. Furtunul de alimentare trebuie să conțină un fitting care să asigure „decuplarea rapidă” de la conectorul de tip tată de pe unealtă.
- Asigurați-vă că presiunea aplicată unelei nu depășește valoarea maximă admisă a presiunii de lucru, denumită ps max. (consultați Fișa tehnică a unelei). Reglați inițial presiunea de alimentare la cea mai mică valoare recomandată a presiunii de lucru (consultați Fișa tehnică a unelei).
- Verificați dacă unealta funcționează corect atingând vârful unelei de o bucată de lemn și apăsând declanșatorul o dată sau de două ori.

## LUBRIFIEREA

• Pentru cea mai bună performanță este necesară lubrifierea frecventă, dar nu excesivă. Uleiul adăugat prin racordul conductei de aer va lubrifia piesele interne. Pentru detalii despre lubrifiantul corect consultați Fișa tehnică a unelei. Nu utilizați ulei de detergent sau aditivi, deoarece acești lubrifianți vor provoca uzura accelerată a garniturilor și amortizoarelor din unealtă, având ca rezultat performanțe slabe și întreținerea frecventă a unelei.

• Dacă nu este introdus lubrifiant pe conducta de aer, adăugați ulei în fittingul de aer de pe unealtă o dată sau de două ori pe zi, în timpul utilizării. Sunt necesare doar câteva picături de ulei (3-5) odată. Uleiul în exces se va acumula în interiorul unelei și va putea fi observat în faza de proiectie.

● Utilizarea la temperaturi scăzute. - În cazul utilizării în condiții de vreme rece, la temperaturi situate aproape de limita de îngheț sau sub aceasta, umezeala din conducta de aer poate îngheța, împiedicând utilizarea unelei. Noi recomandăm utilizarea lubrifiantului uneltei. Noi recomandăm utilizarea lubrifiantului pentru unele pneumatic BOSTITCH Winter Formula sau a antiigelului permanent (etilenglicol) ca lubrifiant pentru vreme rece.

**Atenție** - pentru a preveni formarea chiciurii sau a gheții pe ventilele de operare și pe mecanismele unelei, fapt care ar putea provoca defectarea acesteia, nu depozitați unealta într-un mediu expus la vreme rece.

**Notă:** Unele lichide comerciale de uscare a conductei de aer sunt nocive pentru inelele de etanșare și garnituri - nu utilizați aceste lichide fără a verifica mai întâi compatibilitatea.

### ▲ OPERAREA

Operatorul unelei și alte persoane aflate în zona de lucru trebuie să poarte **OCHELARI DE PROTECȚIE**, care să protejeze împotriva particulelor aruncate atât din **FAȚĂ**, cât și din **LATERAL** atunci când încarcă, utilizează sau repară această unealtă. Ochelarii de protecție sunt necesari pentru a proteja împotriva elementelor de fixare și a resturilor proiectate, care pot provoca răni severe la ochi. Angajatorul

și/sau utilizatorul trebuie să asigure purtarea corespunzătoare a ochelarilor de protecție. Echipamentul pentru protecția ochilor trebuie să asigure protecție atât din față, cât și din lateral. **Notă:** Ochelarii fără protecție laterală și scuturile faciale fără alte accesorii nu asigură protecție adecvată.

**▲ AVERTISMENT!** Dacă unealta a fost scăpată pe jos sau dacă suspectați prezența unor deteriorări ale unelei, efectuați o verificare a funcționării acesteia, așa cum este prezentat în secțiunea de verificare a funcționării unelei.

### PENTRU PREVENIREA VĂTĂMĂRILOR ACCIDENTALE:

- Nu introduceți niciodată mâna sau altă parte a corpului în zona de descărcare a elementelor de fixare atât timp cât alimentarea cu aer este conectată.
- Nu îndreptați niciodată unealta către o persoană.
- Nu vă angajați niciodată în glume fără rost.
- Nu apăsați niciodată declanșatorul decât dacă vârful unelei este îndreptat spre obiectul prelucrat.
- Manipulați întotdeauna unealta cu atenție.
- Nu apăsați declanșatorul sau mecanismul furcii în timp ce încărcați unealta.

## TIPURI DE OPERARE: BOSTITCH pune la dispoziție ȘAPTE tipuri de operare:

Tip de operare	Referință manuală unealtă	Furcă de siguranță /Piedică de siguranță
MODUL CU DECLANȘARE PRIN CONTACT	1	✓
MOD CU DECLANȘARE SECVENȚIALĂ PARTIALĂ	2	✓
MOD CU DECLANȘARE SECVENȚIALĂ COMPLETĂ	2A	✓
OPERARE CU DECLANȘATOR	3	✗
OPERAREA CONTINUĂ CU DECLANȘARE PRIN CONTACT	4	✓
OPERARE CONTINUĂ CU DECLANȘATOR SAU „OPERARE AUTOMATĂ”	5	✗
MODUL CU DECLANȘARE SELECTABILĂ	6	✓

**UNELTE FĂRĂ FURCĂ DE SIGURANȚĂ (DENUMITĂ UNEORI PIEDICĂ DE SIGURANȚĂ) - sunt posibile două tipuri de operare:**

**OPERARE CU DECLANȘATOR (Referință 3 din Tabelul de date tehnice, coloana L(a))**  
Modelul de operare cu declanșator este activat numai prin acționarea trăgaciului. Acest model nu are furcă

de siguranță și este destinat utilizării numai acolo unde NU POATE fi folosită o furcă de siguranță pentru îndeplinirea cerințelor aplicației. Unealta acționată prin declanșator se va activa de fiecare dată când trăgaciul este apăsat.

FR Reproduction interdite sans permission préalable. Les copies de ce document ne signifient en rien que les produits soient conformes aux normes CE.

## OPERARE CONTINUĂ CU DECLANȘATOR SAU „OPERARE AUTOMATĂ”

(Referința 5 din Tabelul datelor tehnice, coloana L(a)).

Modelul de operare continuă cu declanșator permite repetarea ciclurilor de antrenare cât timp declanșatorul rămâne acționat. Acest model nu are furcă de siguranță și este destinat utilizării numai acolo unde NU POATE fi folosită o furcă de siguranță pentru îndeplinirea cerințelor aplicației.

## UNELTE CU PIEDICĂ DE SIGURANȚĂ (DENUMITĂ UNEORI PIEDICĂ DE SIGURANȚĂ) - sunt posibile cinci tipuri de operare:

Toate uneltele prevăzute cu furcă de siguranță sunt marcate cu un triunghi echilateral inversat (t).

Nu încercați să utilizați o unealtă marcată în acest mod dacă furca de siguranță lipsește sau pare deteriorată.

Majoritatea uneltelor sunt echipate cu o furcă de siguranță, care se află în mod normal în poziția „extinsă” sau „jos” (Referința 1 din tabelul de date tehnice, coloana L(b)). Unele uneltele sunt echipate cu o furcă de siguranță care se află în mod normal în poziția „apăsată” sau „sus” (Referința 2 din tabelul de date tehnice, coloana L(b)). Consultați manualul Fișei tehnice specific uneltei dvs. pentru instrucțiuni complete privind această caracteristică.

SE Prohibida la reproducción sin permiso. Las copias no autorizadas de este documento no garantizan la conformidad con las normas CE de los productos.



### DECLANȘARE PRIN CONTACT (DECLANȘATORUL NEGRU)

(Referința 1 din Tabelul datelor tehnice, coloana L(a))

Procedura obișnuită de operare la uneltele prevăzute cu „Declanșare prin contact” constă în activarea furcii de siguranță de către

operator în timp ce acesta ține declanșatorul apăsat, antrenând astfel un element de fixare de fiecare dată când unealta intră în contact cu obiectul prelucrat. Aceasta vă permite amplasarea rapidă a elementelor de fixare în cazul multor operații, de exemplu fixarea izolațiilor, montarea podelelor și asamblarea paleților. Toate uneltele pneumatice prezintă recul la antrenarea

elementelor de fixare. Unealta poate să ricoșeze declanșând furca de siguranță, iar dacă este lăsată să reîntre în mod accidental în contact cu suprafața de lucru și declanșatorul este încă activat (degetul apăsă declanșatorul), atunci un al doilea element de fixare va fi antrenat în mod nedorit.



⚠ **AVERTISMENT!** Uneltele marcate cu acest simbol prezintă fie declanșare prin contact, fie declanșare continuă prin contact, fie declanșare selectabilă.

Aceste unelte sunt proiectate pentru utilizare în aplicații de producție, precum paleți, mobilier, case prefabricate sau tapițerie. **NU** utilizați această unealtă cu declanșare prin contact pentru aplicații precum închiderea casetelor sau a cutiilor și montarea de sisteme de siguranță la transport pe remorci și camioane. Această unealtă se va utiliza numai în medii de lucru sigure. Se va proceda cu grijă pentru a se evita declanșarea accidentală la trecerea de la o poziție de lucru la alta.



### DECLANȘARE SECVENȚIALĂ - 2 TIPURI (DECLANȘATOR GRI):

**TIP 1: MOD DECLANȘARE SECVENȚIALĂ PARTIALĂ**  
(Referința 2 din Tabelul de date tehnice, coloana L(a))

Declanșarea secvențială parțială necesită ca operatorul să țină unealta în contact cu obiectul prelucrat, cu furca de siguranță apăsată înainte de a apăsa declanșatorul. Pentru antrenarea altor elemente de fixare, declanșatorul trebuie eliberat și apăsat din nou pentru ca unealta să-și reia operarea. Unealta își va continua operarea de fiecare dată când declanșatorul este apăsat și unealta este încă în contact cu obiectul de prelucrat.

**TIP 2: MOD DECLANȘARE SECVENȚIALĂ TOTALĂ**  
(Referința 2A din Tabelul de date tehnice, coloana L(a))

Declanșarea secvențială totală funcționează asemănător cu declanșarea secvențială parțială, cu excepția faptului că pentru antrenarea elementelor de fixare suplimentare declanșatorul trebuie eliberat și unealta trebuie ridicată de pe obiectul de prelucrat, apoi trebuie apăsată din nou pe acesta înainte de repetare.

Ambele tipuri de declanșare secvențială ușurează plasarea precisă a elementelor de fixare, de exemplu în aplicațiile pentru rame, fixare oblică cu cuie și împachetare. Modul secvențial permite amplasarea exactă a elementelor de fixare, fără posibilitatea de antrenare a unui al doilea element de fixare din cauza reculului, așa cum este prezentat în Declanșarea prin contact (mai jos). Unealta prevăzută cu declanșare secvențială are un avantaj de siguranță important, deoarece nu va antrena accidental un element de fixare dacă unealta intră în contact cu obiectul prelucrat - sau orice altceva - în timp ce operatorul ține declanșatorul apăsat.

secvențială și operarea cu declanșare prin contact. Tipul modului selectat este indicat de poziția comutatorului de mod. Când acesta arată în jos, către pictograma cu mai multe cuie de pe cadrul uneltei, este selectat modul Declanșare prin contact. Când indică în sus, spre pictograma cu un singur cui de pe cadrul uneltei, este selectat modul Declanșare secvențială. Citiți și înțelegeți secțiunile de mai sus, intitulată Declanșarea prin contact și Declanșarea secvențială, înainte de a selecta modul necesar.

Consultați manualul Fișei tehnice specific uneltei dvs. pentru instrucțiuni complete privind utilizarea acestei caracteristici.

DK Må ikke gengives uden tilladelse. Uautoriserede kopier af dette dokument er strafbar.  
**OPERAREA CONTINUĂ CU DECLANȘARE PRIN CONTACT.**  
**(Referința 4 din Tabelul datelor tehnice, coloana L(a))**

Unelele cu operare continuă prin contact permit repetarea ciclurilor de antrenare cât timp declanșatorul și furca de siguranță rămân activate. Înainte de manevrarea sau operarea acestei unelte:

Citiți și înțelegeți avertizările din acest manual. Consultați Fișa tehnică a uneltei pentru a identifica sistemul de operare pentru unealta dvs.

**AVERTISMENT!** Unelele marcate cu acest simbol prezintă fie declanșare prin contact, fie declanșare continuă prin contact, fie declanșare selectabilă.



Aceste unelte sunt proiectate pentru utilizare în aplicații de producție, precum paleți, mobilier, case prefabricate sau tapițerie. **NU** utilizați această unealtă cu declanșare prin contact pentru aplicații precum închiderea casetelor sau a cutiilor și montarea de sisteme de siguranță la transport pe remorci și camioane. Această unealtă se va utiliza numai în medii de lucru sigure. Se va proceda cu grijă pentru a se evita declanșarea accidentală la trecerea de la o poziție de lucru la alta.



**AVERTISMENT!** Unelele marcate cu acest simbol prezintă fie declanșare prin contact, fie declanșare continuă prin contact, fie declanșare selectabilă.

Aceste unelte sunt proiectate pentru utilizare în aplicații de producție, precum paleți, mobilier, case prefabricate sau tapițerie. **NU** utilizați această unealtă cu declanșare prin contact pentru aplicații precum închiderea casetelor sau a cutiilor și montarea de sisteme de siguranță la transport pe remorci și camioane. Această unealtă se va utiliza numai în medii de lucru sigure. Se va proceda cu grijă pentru a se evita declanșarea accidentală la trecerea de la o poziție de lucru la alta.

**VERIFICAREA FUNCȚIONĂRII UNELTEI**

**ATENȚIE:** Îndepărtați toate elementele de fixare din unealtă înainte de a verifica funcționarea acesteia.

**AVERTISMENT!** Dacă unealta a fost scăpată pe jos sau dacă suspectați prezența unor deteriorări ale uneltei, efectuați o verificare a funcționării acesteia, așa cum este prezentat în secțiunea de verificare a funcționării uneltei.

**UNEALTA ACȚIONATĂ CU DECLANȘATOR:**

SK Rozmnožovanie bez povolenia je zakázané. Neoprávnené zverejňovanie alebo šírenie informácií z tohto dokumentu je trestné.  
**MOD DECLANȘARE SELECTABILĂ**  
**(Referința 6 din Tabelul de date tehnice, coloana L(a))**



Unele unelte sunt prevăzute cu o declanșare selectabilă care permite utilizatorului să comute între operarea cu declanșare

- A) Cu degetul ridicat de pe declanșator, apăcați dané unealta cu fermitate de mâner.
- B) Plasăți vârful uneltei pe suprafața de lucru.
- C) Apăsați pe declanșator pentru a antrena un element de fixare. Eliberați declanșatorul și activarea s-a încheiat.

RO

**ATENȚIE:** Unealta se va activa de fiecare dată când declanșatorul este apăsat!

GB Not to be reproduced without permission. Unauthorised copying of this document do not constitute CE compliance for the products.

### **UNEALTA CU TRĂGACI PENTRU OPERARE CONTINUĂ SAU UNEALTA CU „OPERARE AUTOMATĂ”**

FR Les produits doivent être utilisés conformément aux normes CE.

A) Cu degetul ridicat de pe declanșator, apucați unealta cu fermitate de mâner.

B) Plasăți vârful unelei pe suprafața de lucru.

C) Apăsăți declanșatorul și glisați unealta fie stânga/dreapta, fie înainte/înapoi. Unealta va continua să se activeze până când declanșatorul va fi eliberat.

**ATENȚIE:** Asigurați-vă că unealta este menținută ferm în contact cu suprafața de lucru și că nu se apropie de marginile acesteia în timpul lucrului. Un element de fixare ar putea fi proiectat în aer, provocând vătămări.

### **OPERAREA CU DECLANȘARE PRIN CONTACT**

A) Cu degetul ridicat de pe declanșator, apăsați furca de siguranță de suprafața de lucru.

**UNEALTA NU TREBUIE SĂ SE ACTIVEZE.**

B) Ridicați unealta de pe suprafața de lucru și, evitând să o îndreptați către dvs. sau către alte persoane, apăsați pe declanșator.

**UNEALTA NU TREBUIE SĂ SE ACTIVEZE.**

C) Cu unealta ridicată de pe suprafața de lucru, apăsați pe declanșator. Apăsăți furca de siguranță de suprafața de lucru

**UNEALTA TREBUIE SĂ SE ACTIVEZE.**

D) Fără a atinge declanșatorul, apăsați furca de siguranță pe suprafața de lucru, apoi apăsați pe declanșator.

**UNEALTA TREBUIE SĂ SE ACTIVEZE.**

### **OPERAREA CU DECLANȘARE SECVENȚIALĂ PARȚIALĂ**

A) Fără a atinge declanșatorul, apăsați furca de siguranță în contact cu suprafața de lucru.

**UNEALTA NU TREBUIE SĂ SE ACTIVEZE.**

B) Ridicați unealta de pe suprafața de lucru și, evitând să o îndreptați către dvs. sau către alte persoane, apăsați pe declanșator.

**UNEALTA NU TREBUIE SĂ SE ACTIVEZE.**

C) Cu unealta ridicată de pe suprafața de lucru, apăsați pe declanșator. Apăsăți furca de siguranță pe suprafața de lucru

**UNEALTA NU TREBUIE SĂ SE ACTIVEZE.**

D) Fără a atinge declanșatorul, apăsați pedia de siguranță de suprafața de lucru, apoi apăsați pe declanșator.

**UNEALTA TREBUIE SĂ SE ACTIVEZE.**

E) Cu pedia de siguranță apăsată încă pe suprafața de lucru, apăsați din nou pe declanșator.

**UNEALTA TREBUIE SĂ SE ACTIVEZE.**

### **OPERAREA CU DECLANȘARE SECVENȚIALĂ TOTALĂ**

A) Fără a atinge declanșatorul, apăsați furca de siguranță în contact cu suprafața de lucru.

**UNEALTA NU TREBUIE SĂ SE ACTIVEZE.**

B) Ridicați unealta de pe suprafața de lucru și, evitând să o îndreptați către dvs. sau către alte persoane, apăsați pe declanșator.

**UNEALTA NU TREBUIE SĂ SE ACTIVEZE.**

C) Cu unealta ridicată de pe suprafața de lucru, apăsați pe declanșator. Apăsăți furca de siguranță pe suprafața de lucru

**UNEALTA NU TREBUIE SĂ SE ACTIVEZE.**

D) Fără a atinge declanșatorul, apăsați pedia de siguranță de suprafața de lucru, apoi apăsați pe declanșator.

**UNEALTA TREBUIE SĂ SE ACTIVEZE.**

E) Cu pedia de siguranță apăsată încă pe suprafața de lucru, apăsați din nou pe declanșator.

**UNEALTA NU TREBUIE SĂ SE ACTIVEZE.**

### **OPERAREA CONTINUĂ CU DECLANȘARE PRIN CONTACT**

A) Cu degetul ridicat de pe declanșator, apăsați furca de siguranță de suprafața de lucru.

**UNEALTA NU TREBUIE SĂ SE ACTIVEZE.**

B) Ridicați unealta de pe suprafața de lucru și, evitând să o îndreptați către dvs. sau către alte persoane, apăsați pe declanșator.

**UNEALTA NU TREBUIE SĂ SE ACTIVEZE.**

C) Cu unealta ridicată de pe suprafața de lucru, apăsați pe declanșator. Apăsăți furca de siguranță pe suprafața de lucru și glisați unealta fie stânga/dreapta, fie înainte/înapoi.

**UNEALTA TREBUIE SĂ SE ACTIVEZE ȘI SĂ SE MENȚINĂ ÎN FUNCȚIUNE PÂNĂ CÂND DECLANȘATORUL ESTE ELIBERAT SAU UNEALTA ESTE RIDICATĂ DE PE SUPRAFAȚA DE LUCRU.**

D) Fără a atinge declanșatorul, apăsați furca de siguranță pe suprafața de lucru, apoi apăsați pe declanșator.

© **UNEALTA TREBUIE SĂ SE ACTIVEZE ȘI SĂ SE MENȚINĂ ÎN FUNCȚIUNE PÂNĂ CÂND DECLANȘATORUL ESTE ELIBERAT SAU UNEALTA ESTE RIDICATĂ DE PE SUPRAFAȚA DE LUCRU.**

## **UTILIZAREA UNELTEI**

După ce ați verificat dacă unealta funcționează corespunzător, presați vârful acesteia în contact cu piesa de prelucrat și apăsați pe declanșator. Verificați dacă elementul de fixare a fost antrenat conform cerințelor.

• Dacă elementul de fixare este antrenat prea adânc, micșorați presiunea aerului cu 0,5 bar (5-6 PSI) la un moment dat, verificând rezultatul după fiecare reglare. Nu depășiți presiunea de lucru maximă admisă (consultați Fișa tehnică a unelei)

• Dacă elementul de fixare este antrenat la o adâncime prea mare, micșorați presiunea aerului cu 0,5 bar (5-6 PSI) la un moment dat, verificând rezultatul după fiecare reglare. Nu încercați să folosiți o presiune mai mică decât valoarea presiunii minime de lucru recomandate (consultați Fișa tehnică a unelei).

• Încercați să lucrați întotdeauna cu presiunea de aer cea mai scăzută posibil. În acest mod se vor reduce zgomotul și vibrația produse și se va extinde durata de viață a componentelor interne, de exemplu amortizorului.

### **PE LÂNGĂ CELELALTE AVERTISMENTE DIN ACEST MANUAL, RESPECTAȚI URMĂTOARELE INDICAȚII PENTRU OPERAREA ÎN SIGURANȚĂ:**

• Tratați cu seriozitate unealta dvs. pneumatică de fixare marca BOSTITCH. Aceasta nu este o jucărie. Nu vă angajați în glume fără rost.

• Utilizați unealta pneumatică BOSTITCH numai în scopul pentru care a fost proiectată.

• Nu utilizați niciodată unealta într-o manieră care ar putea determina proiectarea unui element de fixare către utilizator sau alte persoane din zona de lucru.

• Nu utilizați unealta pe post de ciocan.

• Transportați întotdeauna unealta ținând-o de mâner. Nu transportați niciodată unealta ținând-o de furtunul de aer. Nu transportați niciodată unealta cu declanșatorul apăsat.

• Nu alterați și nu modificați această unealtă față de conceptul original sau funcționarea originală fără a obține acordul scris al BOSTITCH.

• Fiti întotdeauna conștienți că utilizarea greșită și manevrarea necorespunzătoare a acestei unele pot provoca vătămarea dvs. și a celorlalte persoane.

• Nu fixați niciodată declanșatorul sau furca de siguranță într-o poziție de activare folosind cleme sau bandă.

• Nu lăsați niciodată o unealtă nesupravegheată cu furtunul de aer atașat.

• Nu operați această unealtă dacă nu conține o ETICHETĂ DE AVERTISMENT lizibilă.

• Nu continuați să utilizați o unealtă care pierde aer sau nu funcționează corespunzător. Anunțați cel mai apropiat reprezentant BOSTITCH dacă unealta continuă să prezinte probleme de funcționare.

• În timpul operării, apucați unealta astfel încât să se evite rănile la cap sau corp în cazul în care reculul unelei ar crește din cauza scăderii presiunii de alimentare cu aer sau a zonelor dure din piesa prelucrată.

• Nu lucrați aproape de colțuri sau la marginile piesei prelucrate. Elementul de fixare ar putea să alunece din piesa prelucrată, provocând vătămări.

• Când transportați unealta, deconectați mai întâi alimentarea cu aer.

• Verificați ca furca de siguranță (dacă există) și declanșatorul să funcționeze corect.

• Nu demontați și nu blocați nicio componentă a unelei, mai ales furca de siguranță.

• Evitați să slăbiți unealta prin poansonare sau gravare.



• Nu utilizați furtunuri de aer și fittinguri deteriorate, uzate sau deteriorate



• Nu transportați unealta ținând-o de furtun.

• Procedați cu atenție când utilizați unelte pneumatice, deoarece unealta poate deveni rece, afectând prinderea și controlul

### **Pericole prin mișcări repetate**

• Când utilizează o unealtă pentru perioade lungi de timp, operatorul poate resimți disconfort în mâini, brațe, umeri, gât sau alte părți ale corpului. Sunt valabile următoarele instrucțiuni:

• La utilizarea unei unele, operatorul trebuie să adopte o poziție confortabilă, dar ergonomică. Mențineți un sprijin sigur pe picioare și evitați pozițiile dificile sau dezechilibrate.

• Dacă operatorul resimte simptome precum disconfort persistent sau repetat, durere, palpații, furnicăături,

Comorțea, senzație de arsură sau rigiditate, nu ignorați aceste semne de avertizare. Operatorul va consulta un specialist calificat în domeniul sănătății cu privire la activitățile sale în ansamblu.

## Pericole la locul de muncă

- Alunecările, pașii greșiți și căderile sunt cauze majore ale vătărilor corporale la locul de muncă. Feriți-vă de suprafețele periculoase determinate de utilizarea unelei electrice și de pericolele de împiedicare determinate de furtunul conductei de aer.
- Procedați cu atenție suplimentară în medii necunoscute. Pot exista pericole ascunse, precum electricitatea sau alte linii de utilități.
- Această unealtă electrică nu este concepută pentru a fi utilizată în atmosfere potențial explozive și nu este izolată la contactul cu curentul electric.
- Asigurați-vă că nu există cabluri electrice, conducte de gaz etc. care pot cauza pericole dacă sunt deteriorate prin utilizarea unelei electrice.

## Riscuri reziduale

Următoarele riscuri sunt inerente la utilizarea acestor aparate:

- Vătămări cauzate de manevrarea necorespunzătoare a unelei electrice.
- Pierderea controlului din cauza unei prinderi insuficiente a unelei.
- Solicitarea mușchilor mâinilor și brațelor, mai ales când se lucrează la înălțime. Luați întotdeauna pauze regulate când lucrați pentru perioade lungi de timp.

În ciuda aplicării reglementărilor de siguranță relevante și a implementării de dispozitive de siguranță, nu se pot evita anumite riscuri reziduale. Acestea sunt:

- Afectarea auzului
- Risc de vătămare corporală din cauza particulelor proiectate
- Risc de arsuri din cauza încălzirii accesoriilor în timpul operării.
- Risc de vătămare corporală din cauza utilizării prelungite.

- Pierderea controlului din cauza reculului.
- Risc de vătămare corporală cauzată de punctele de prindere, marginile ascuțite și manipularea necorespunzătoare a piesei de prelucrat.

- Risc de vătămare corporală din cauza muchiilor ascuțite la schimbarea cuielei sau introducerea de cuie.

## EMISIA DE ZGOMOT (consultați Fișa tehnică a unelei electrice)

Valorile caracteristice de zgomot ale unelei electrice au fost determinate în conformitate cu EN 12549 - „Acustică. Cod de încercare a zgomotului pentru unele electrice de antrenare a elementelor de fixare. Metodă tehnică.”

Aceste valori sunt specifice unelei și nu reprezintă nivelul acustic în punctul de utilizare. Nivelul acustic din punctul de utilizare va depinde, de exemplu, de mediul de lucru, piesa de lucru, suportul piesei de lucru și numărul operațiilor de antrenare etc.

În funcție de condițiile de la locul de muncă și forma piesei de lucru poate fi necesară adoptarea unor măsuri individuale de atenuare a zgomotului, de exemplu plasarea pieselor de lucru pe suporturi de amortizare a sunetului, prevenirea vibrației piesei de lucru cu ajutorul prinderii cu cleme sau acoperirii, reglarea presiunii aerului la valoarea minimă necesară operației etc.

## INFORMAȚII DESPRE VIBRAȚII (consultați Fișa tehnică a unelei electrice)

Valoarea caracteristică pentru vibrațiile unelei electrice a fost determinată în conformitate cu ISO/WD 8662-11 „Măsurarea vibrației la unelele electrice manuale - Partea 11 Unele electrice de antrenare a elementelor de fixare”.

Valoarea este specifică unelei și nu reprezintă influența asupra sistemului mână-braț în timpul utilizării unelei. O influență asupra sistemului mână-braț în momentul utilizării unelei electrice va depinde, de exemplu, de forța de apucare, forța de contact, direcția de lucru, reglarea sursei de aer comprimat, piesa de lucru, suportul piesei de lucru etc.



GB Not to be reproduced without permission. Unauthorized copies of this document do not constitute CE compliance for the products.

FR Reproduction interdite sans permission préalable. Les copies non autorisées de ce document ne signifient en rien que les produits soient conformes aux normes CE.

DE Vervielfältigung nicht ohne Genehmigung gestattet. Unzulässige Kopien dieses Dokuments erfüllen nicht die CE-Richtlinien für Produkte.

NL Mag niet worden vernenigvuldigd zonder toestemming. Onrechtmatige kopieën van dit document willen niet zeggen dat de producten voldoen aan de CE-vereisten.

DK Må ikke gengives uden tilladelse. Uautoriserede kopier af dette dokument udgør ikke CE-overholdelse for produkterne.

FI Ei saa julkentää ilman lupaa. Tämän asiakirjan ilman valtuutusta tehty kappale eivät muodosta tuotteille CE-tyydytystä.

GR Απαγορεύεται η αναπαραγωγή χωρίς προηγούμενη άδεια. Τα μη εξουσιοδοτημένα αντίγραφα του παρόντος εγγράφου δεν αποτελούν συμμόρφωση CE για τα προϊόντα.

- A) La sistemul de aer
- B) Conducte principale (3 x dimensiunea intrării unei unelte pneumatice)
- C) La unelata pneumatică
- D) Obturator de urgență
- E) Gresor
- F) Regulator
- G) Conductă de ramificație (2 x dimensiunea intrării unei unelte pneumatice)
- H) Evacuare
- I) Compresor
- J) Filtru
- K) Fiting 1/4" NPT pentru debite mari
- L) Furtun aer 3/8" (10 mm) diametru interior Min

PT Reprodução proibida sem autorização prévia. As cópias não autorizadas deste documento não estão em

## DAREA ÎN EXPLOATARE A UNELTEI ELECTRICE

Se va amplasa un filtru de aer (J) între compresorul de aer și gresorul de aer pentru a asigura alimentarea uneltei pneumatice cu aer curat. Apa și murdăria pot afecta uneltele pneumatice (vezi diagrama de mai sus).

## DEPANARE ȘI ÎNTRETINERE

Reparațiile trebuie executate numai de către agenți autorizați BOSTITCH sau alți experți, acordând atenția cuvenită instrucțiunilor de siguranță, operare și întreținere din acest manual, manualului uneltei respective și Fișei tehnice a uneltei.

- Deconectați unelata de la sursa de alimentare cu aer și goliiți complet magazia înainte de a începe operațiile de întreținere sau reparații. Rețineți avertismentele din acest manual, din Fișa tehnică a uneltei electrice și de pe unelata însăși și dați dovadă de atenție sporită la evaluarea uneltelor electrice cu probleme.

- Se vor utiliza numai piese de schimb originale BOSTITCH. Nu utilizați piese modificate sau care nu oferă o performanță egală cu cea a echipamentului original.

- Când reparați o unelată electrică, asigurați-vă că piesele interne sunt curate și unse. Utilizați Parker „0”-Lube sau echivalent pentru toate inelele de etanșare. ungeți fiecare inel de etanșare cu „0”-Lube înainte de montaj. Aplicați o cantitate mică de ulei pe toate suprafețele mobile și pivoti. După reasamblare și înainte de testare, adăugați în conducta de aer câteva picături de lubrifiant pentru uneltele pneumatice marca BOSTITCH.

- Pentru instrucțiuni suplimentare care se referă special la întreținerea uneltei, consultați Fișa tehnică a uneltei.

- Dacă problema nu poate fi rezolvată folosind ghidul de mai jos, contactați cel mai apropiat reprezentant sau distribuitor BOSTITCH.

Reprezentanții și distribuitorii BOSTITCH în țările în care se utilizează aceste manuale și fișele tehnice neautorizate ale acestui document nu reprezintă comunitatea CE pentru produse.

PROBLEMĂ	CAUZĂ	CORECȚIE
GR Not to be reproduced without permission. Unauthorised copies of this document are prohibited for the products. Unealta nu se activează	Restricție la sursa de aer	Verificați echipamentul de alimentare cu aer
FR Reproduction interdite sans autorisation préalable. Toute réimpression ou utilisation non autorisée sans la permission écrite de la société est formellement interdite. Inele de etanșare uzate la ventilul capului (dacă există)	Unealta este uscată, lipsă lubrifiere	Utilizați lubrifianțul pentru unelte pneumatice BOSTITCH
DE Vervielfältigung nicht ohne schriftliche Genehmigung gestattet. Unzulässig erstellte Kopien dieses Dokuments erfüllen nicht die CE-Richtlinien für Produkte. Arcul de la capacul cilindrilor este rupt	Înlocuiți inelele de etanșare	Înlocuiți arcul de la capacul cilindrilor
NL Mag niet worden vermenigvuldigd of verspreid zonder schriftelijke toestemming van de CE-vereisten. Ventilul capului (dacă există) este blocat în capac	Demontați/Verificați/Lubrificați	
Lipsă de putere; acționare slabă	Presiunea aerului este prea scăzută	Verificați echipamentul de alimentare cu aer
FI Ei saa jäljentää ilman lupaa. Tämän asiakirjan ilman valtuutusta tehdyt kopiot eivät täytä CE-merkin vaatimuksia. Unealta este uscată, lipsă lubrifiere	Utilizați lubrifianțul pentru unelte pneumatice BOSTITCH	
GR Απαγορεύεται η αναπαραγωγή ή η διανομή χωρίς την έγγραφη άδεια της εταιρείας. Οι αντιγραφές που δεν αποτελούν πιστοποιημένα αντίγραφα του παρόντος δεν συμμορφώνονται με τις απαιτήσεις CE για τα προϊόντα. Arcul de la capacul cilindrilor este rupt	Înlocuiți arcul de la capacul cilindrilor	
IT Vietata la riproduzione senza permesso. Le copie non autorizzate di questo documento non sono conformi alla direttiva CE per i relativi prodotti. Inelele de etanșare/garniturile sunt tăiate sau crăpate	Înlocuiți inelele de etanșare/garniturile	
PT Reprodução proibida sem a permissão da empresa. As cópias não autorizadas deste documento não estão em conformidade com a CE para os produtos. Evacuare blocată	Verificați amortizorul, arcul ventilului capului, amortizorul de zgomot	
SK Rozmnožovanie bez povolenia je zakázané. Neautorizované kopie tohto dokumentu nie sú v súlade s požiadavkami CE pre dané výrobky. Ansamblul declanșatorului este uzat/are scăpări	Înlocuiți ansamblul declanșatorului	
PL Niniejszy dokument nie może być kopiowany bez pozwolenia. Nieautoryzowane kopie niniejszego dokumentu nie stanowią deklaracji zgodności z wymaganiami CE przeznaczonych produktów. Manșonul cilindrilor nu este așezat corect pe amortizorul inferior	Demontați pentru remediere	
RO Carcasa ventilului declanșatorului pierde aer	Ventilul capului este uscat	Demontați/lubrificați
TIJA de la ventilul declanșatorului pierde aer	Inel de etanșare tăiat sau crăpat	Înlocuiți inelul de etanșare
CADRUL/VĂRFUL pierde aer	Inelele de etanșare/garniturile sunt tăiate sau crăpate	Înlocuiți inelele de etanșare/garniturile
CADRUL/capacul pierde aer	Inelul de etanșare sau garnitura este tăiată sau crăpată	Înlocuiți inelul de etanșare sau garnitura
	Amortizorul este fisurat/uzat	Înlocuiți amortizorul
	Garnitură sau etanșare deteriorată	Înlocuiți garnitura sau etanșarea
	Amortizor fisurat/uzat al ventilului capului	Înlocuiți amortizorul
	Șuruburile capacului sunt slăbite	Strângeți și verificați din nou
Elemente de fixare omise; alimentare intermitentă	Amortizor uzat	Înlocuiți amortizorul
	Restricție aer/flux de aer neadecvat prin mufa cu decuplare rapidă și conector	Înlocuiți fittingurile cu decuplare rapidă

PROBLEMĂ	CAUZĂ	CORECȚIE
GB Not to be reproduced without the manufacturer's written compliance for the product.	Inel de etanșare de piston uzat (dacă există)	Înlocuiți inelul de etanșare, verificați capul de antrenare
FR Reproduction interdite sans l'autorisation écrite du fabricant. Rien que les produits soient conformes aux normes CE.	Unealta este uscată, lipsă lubrifiere Arcul împingătorului este	Utilizați lubrifianți pentru unelte pneumatice BOSTITCH Înlocuiți arcul
DE Vervielfältigung nicht ohne die CE-Richtlinien für Produkte	Genehmigung gestattet. Unzulässig erstellte Kopien dieses Dokuments erfüllen nicht die CE-Richtlinien für Produkte	Verificați sistemul de alimentare a uneltei cu aer
NL Mag niet worden vermenigvuldigd zonder de CE-verordening te volgen.	Șurubul de la vârful magaziei este slăbit Elemente de fixare prea scurte pentru unealtă	Strângeți toate șuruburile Utilizați numai elementele de fixare recomandate
DK Må ikke gengives uden tilladelse. Uautoriserede kopier af dette dokument udgør ikke CE overholdelse for produkterne.	Elemente de fixare îndoite	Sistați utilizarea acestor elemente de fixare
FI Ei saa jäljentää ilman lupaa yhdenmukaisuutta.	Elemente de fixare cu dimensiune nepotrivită	Utilizați numai elementele de fixare recomandate
GR Αναγορεύεται η αναπαραγωγή του παρόντος εγχειριδίου χωρίς την άδεια του κατασκευαστή. Η αντιγραφή δεν αποτελεί ένδειξη συμμόρφωσης CE για τα προϊόντα.	Garnitura de la capacul capului prezintă scurgeri Inelul de etanșare de la ventilul declanșatorului este tăiat/uzat	Strângeți șuruburile/inlocuiți garnitura Înlocuiți inelul de etanșare
IT Vietata la riproduzione senza la conformità CE per i relativi prodotti.	Capul de antrenare este deteriorat/ciupit	Înlocuiți capul de antrenare (verificați inelul de etanșare al pistonului)
NO Skal ikke reproduseres uten CE-merking for produktet.	Magazie uscată/murdară	Curățați/lubrifiați utilizând Lubrifianțul pentru unelte pneumatice BOSTITCH
PT Reprodução proibida sem a conformidade com a CE para os produtos.	Magazie uzată	Înlocuiți magazia
Elemente de fixare blocate în unealtă	Canalul capului de antrenare este uzat	Înlocuiți vârful/verificați ușa
SE Prohibida la reproducción sin conformidad con las normas CE de los productos.	Elemente de fixare cu dimensiune nepotrivită	Utilizați numai elementele de fixare recomandate
Elemente de fixare blocate în unealtă	Elemente de fixare îndoite	Sistați utilizarea acestor elemente de fixare
PL Niniejszy dokument nie może być kopiowany bez pozwolenia. Nieautoryzowane kopie tego dokumentu nie stanowią deklaracji zgodności CE prezentowanych produktów.	Șuruburile de la magazie/vârf sunt slăbite Capul de antrenare este deteriorat/ciupit	Strângeți toate șuruburile Înlocuiți capul de antrenare (verificați inelul de etanșare al pistonului)
CZ Niniejszy dokument nie może być kopiowany bez pozwolenia. Nieautoryzowane kopie tego dokumentu nie stanowią deklaracji zgodności CE prezentowanych produktów.		
SK Rozmnožovanie bez povolenia je zakázané. Neoprávnené kópie tohto dokumentu nie sú v súlade s CE pre dané výrobky.		
HU A dokumentum engedély nélkül nem sokszorosítható. Az engedély nélkül sokszorosított dokumentum nem jelenti a termék CE-megfelelőségét.		
RO Reproducerea neautorizată este interzisă. Copiile neautorizate ale acestui document nu reprezintă conformitatea CE pentru produse.		

GB Not to be reproduced without permission. Unauthorised copies of this document do not constitute CE compliance for the products.

FR Reproduction interdite sans permission préalable. Les copies non autorisées de ce document ne signifient en rien que les produits soient conformes aux normes CE.

DE Vervielfältigung nicht ohne Genehmigung gestattet. Unzulässig erstellte Kopien dieses Dokuments erfüllen nicht die CE-Richtlinien für Produkte.

NL Mag niet worden vermenigvuldigd zonder toestemming. Onrechtmatige kopieën van dit document willen niet zeggen dat de producten voldoen aan de CE-vereisten.

DK Må ikke gengives uden tilladelse. Uautoriserede kopier af dette dokument udgør ikke CE overholdelse for produkterne.

FI Ei saa jäljentää ilman lupaa. Tämän asiakirjan ilman valtuutusta tehdyt kopiot eivät muodosta tuotteille CE-yhdenmukaisuutta.

GR Απαγορεύεται η αναπαραγωγή χωρίς προηγούμενη άδεια. Τα μη εξουσιοδοτημένα αντίγραφα του παρόντος εγγράφου δεν αποτελούν συμμόρφωση CE για τα προϊόντα.

IT Vietata la riproduzione senza permesso. Le copie non autorizzate di questo documento non garantiscono la conformità CE per i relativi prodotti.

NO Skal ikke reproduseres uten tillatelse. Ikke godkjente kopier av dette dokumentet oppfyller ikke kravene for CE-merking for produktet.

PT Reprodução proibida sem autorização prévia. As cópias não autorizadas deste documento não estão em conformidade com a CE para os produtos.

ES Prohibida la reproducción sin permiso. Las copias no autorizadas de este documento no suponen la conformidad con las normas CE de los productos.

SE Prohibida la reproducción sin permiso. Las copias no autorizadas de este documento no suponen la conformidad con las normas CE de los productos.

PL Niniejszy dokument nie może być kopiowany bez pozwolenia. Nieautoryzowane kopie niniejszego dokumentu nie stanowią deklaracji zgodności CE prezentowanych produktów.

CZ Niniejszy dokument nie może być kopiowany bez pozwolenia. Nieautoryzowane kopie niniejszego dokumentu nie stanowią deklaracji zgodności CE prezentowanych produktów.

SK Rozmnožovanie bez povolenia je zakázané. Neoprávnené kópie tohto dokumentu nie sú v súlade s CE pre dané výrobky.

HU A dokumentum engedély nélkül nem sokszorosítható. Az engedély nélkül sokszorosított dokumentum nem jelenti a termék CE-megfelelőségét.

RO Reproducerea neautorizată este interzisă. Copiile neautorizate ale acestui document nu reprezintă conformitatea CE pentru produse.