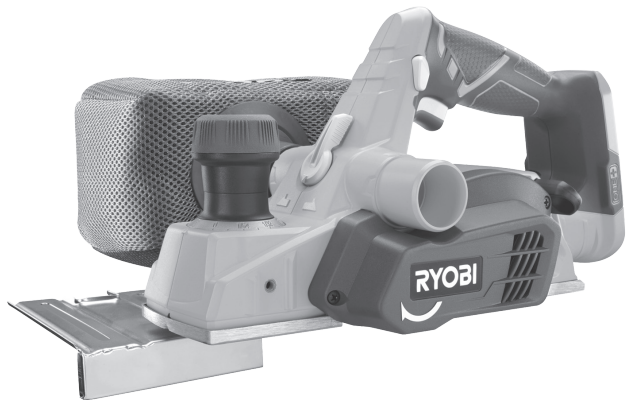


# RYOBI®

## R18PL

ORIGINAL INSTRUCTIONS  
TRADUCTION DES INSTRUCTIONS ORIGINALES  
ÜBERSETZUNG DER ORIGINALANLEITUNG  
TRADUCCIÓN DE LAS INSTRUCCIONES ORIGINALES  
TRADUZIONE DELLE ISTRUZIONI ORIGINALI  
VERTALING VAN DE ORIGINELE INSTRUCTIES  
TRADUÇÃO DAS INSTRUÇÕES ORIGINAIS  
OVERSÆTTELSE AF DE ORIGINALE INSTRUKTIONER  
ÖVERSÄTTNING AV DE URSRUNGLIGA INSTRUKTIONERNA  
ALKUPERÄISTEN OHJEIDEN SUOMENNOSS  
OVERSETTELSE AV DE ORIGINALE INSTRUKSJONENE  
ПЕРЕВОД ОРИГИНАЛЬНЫХ ИНСТРУКЦИЙ  
TŁUMACZENIE INSTRUKCJI ORYGINALNEJ  
PŘEKLAD ORIGINÁLNÍCH POKYNŮ  
AZ EREDETI ÚTMUTATÓ FORDÍTÁSA  
TRADUCEREA INSTRUCȚIUNILOR ORIGINALE  
TULKOTS NO ORIGINĀLĀS INSTRUKCIJAS  
ORIGINALIŲ INSTRUKCIJŲ VERTIMAS  
ORIGINAALJUHENDI TÕLGE  
PRIJEVOD ORIGINALNIH UPUTA  
PREVOD ORIGINALNIH NAVODIL  
PREKLAD ORIGINÁLNYCH POKYNOV  
ПРЕВОД ОТ ОРИГИНАЛНИТЕ ИНСТРУКЦИИ  
PEREKŁAD ORYGINALNYCH INSTRUKCJI  
ORIJ NAL TALIMATLARIN TERCÜMESI  
ΜΕΤΑΦΡΑΣΗ ΤΩΝ ΠΡΩΤΟΤΥΠΩΝ ΟΔΗΓΙΩΝ



EN  
FR  
DE  
ES  
IT  
NL  
PT  
DA  
SV  
FI  
NO  
RU  
PL  
CS  
HU  
RO  
LV  
LT  
ET  
HR  
SL  
SK  
BG  
UK  
TR  
EL





- Important!** It is essential that you read the instructions in this manual before assembling, maintaining and operating the product.
- Attention!** Il est essentiel que vous lisiez les instructions contenues dans ce manuel avant d'assembler, d'entretenir et d'utiliser le produit.
- Achtung!** Es ist wichtig, dass Sie vor Zusammenbau, Wartung und Benutzung des Produktes die Anweisungen in dieser Anleitung lesen.
- ¡Atención!** Resulta fundamental que lea este manual de instrucciones antes de realizar el montaje, el mantenimiento y de utilizar este producto
- Attenzione!** È importante leggere le istruzioni contenute nel presente manuale prima di montare il prodotto, svolgere le operazioni di manutenzione sullo stesso e metterlo in funzione.
- Let op!** Het is van essentieel belang dat u de instructies in deze gebruiksaanwijzing leest voor u het product monteert, onderhoudt en gebruikt.
- Atenção!** É fundamental que leia as instruções deste manual antes da montagem, manutenção e operação do aparelho.
- OBS!** Det er vigtigt, at man læser instrukserne i denne brugsanvisning, inden man samler, vedligeholder og betjener produktet.
- Observera!** Det är viktigt att du läser instruktionerna i manualen före montering, användning och underhåll av produkten.
- Huomio!** On tärkeää, että luet tämän käsikirjan ohjeet ennen tuotteen kokoamista, huoltoa ja käyttöä.
- Advarsel!** Det er vigtigt at du leser instruksjonene i denne manualen før sammensetning, vedlikehold og bruk av produktet
- Внимание!** Необходимо прочитать инструкции в данном руководстве перед сборкой, обслуживанием и эксплуатацией этого изделия.
- Uwaga!** Konieczne należy przeczytać instrukcje zawarte w tym podręczniku przed montażem, obsługą oraz konserwacją produktu.
- Důležité upozornění!** Neinstalujte, neprovádějte údržbu ani nepoužívejte tento výrobek dřív, než si přečtete pokyny uvedené v tomto návodu.
- Figyelem!** Fontos, hogy a termék összeszerelése, karbantartása és használatá elött elolvassa a kézikönyvben található utasításokat.
- Atenție!** Este esențial să citiți instrucțiunile din acest manual înainte de asamblare, efectuarea întreinerii și operarea produsului.
- Uzmanību!** Ir svarīgi izlasīt šīs rokasgrāmatas instrukcijas pirms uzstādīšanas, apkopes un preces darbināšanas.
- Dėmesio!** Prieš surenkant, prižiūrint ir naudojant gaminį, būtina perskaityti šiam vadove pateiktus nurodymus.
- Tähtis!** Enne masina kokkupanekut, hooldamist ja kasutama hakkamist tuleb käesolevas juhendis esitatud juhised kindlasti läbi lugeda.
- Upozorenie!** Vrlo je važno da ste prije sklapanja, održavanja i rada s ovim proizvodom pročitali upute u ovom priručniku.
- Pomembno!** Pomembno je da pred montažo vzdrževanjem in uporabo tega izdelka preberete navodila v tem priručniku.
- Upozornenie!** Je dôležité, aby ste si pred montážou, údržbou a obsluhou produktu prečítali pokyny v tomto návode.
- Важно!** Исключительно важно е да прочетете инструкциите в настоящото ръководство, преди да преминете към сглобяване, поддръжка или работа с продукта.
- Важливо!** Дуже важливо, щоб ви прочитали інструкції в цьому керівництві перед складанням, обслуговуванням та експлуатацією цієї машини.
- Dikkat!** Ürünün montajını, bakımını yapmadan ve ürünü çalıştırmadan önce bu kılavuzda yer alan talimatları okumanız önemlidir.
- Προσοχή!** Είναι πολύ σημαντικό να διαβάσετε τις οδηγίες στο παρόν εγχειρίδιο πριν συναρμολογήσετε, συντηρήσετε ή λειτουργήσετε το προϊόν.

Subject to technical modification | Sous réserve de modifications techniques | Technische Änderungen vorbehalten | Bajo reserva de modificaciones técnicas | Con riserva di eventuali modifiche tecniche | Technische wijzigingen voorbehouden | Com reserva de modificações técnicas | Med forbehold for tekniske ændringer | Med förbehåll för tekniska ändringar | Tekniset muutokset varataan | Med forbehold om tekniske endringer | могут быть внесены технические изменения | Z zastrzeżeniem modyfikacji technicznych | Změny technických údajů vyhrazeny | A műszaki módosítás jogát fenntartjuk | Sub rezerva modifiцаiilor tehnice | Paturam tiesības mainīt tehnisko raksturlielumus | Pasilikant teisę daryti techninius pakeitimus | Tehnilised muudatused võimalikud | Podloženo tehničkim promjenama | Tehnične spremembe dopuščene | Právo na technické zmeny je vyhradené | Подлежи на технически модификации | Є об'єктом для технічних змін | Teknik değişiklik hakkı saklıdır | Υπό την επιφύλαξη τεχνικών τροποποιήσεων



Safety, performance, and dependability have been given top priority in the design of your planer.

### INTENDED USE

The planer is intended to be used only by adults who have read and understood the instructions and warnings in this manual, and can be considered responsible for their actions.

The product is intended for planing wood (removing an even layer to provide a smooth, flat finish) and rebating wood.

The product is not intended to be used for stationary planing.

The product should only be used in well ventilated areas.

The product is intended for consumer use only. Do not use the product for any other purpose.

### ⚠ WARNING

**Read all safety warnings, instructions, illustrations and specifications provided with this power tool.** Failure to follow all instructions listed below may result in electric shock, fire and/or serious injury.

Save all warnings and instructions for future reference.

### PLANER SAFETY WARNINGS

- **Wait for the cutter to stop before setting the tool down.** An exposed rotating cutter may engage the surface, leading to possible loss of control and serious injury.
- **Use clamps or another practical way to secure and support the workpiece to a stable platform.** Holding the work by your hand or against the body leaves it unstable and may lead to loss of control.

### ADDITIONAL SAFETY RULES

- Hold the tool by insulated gripping surfaces only. Cutting a "live" wire may make the exposed metal parts of the tool "live" and could give the operator an electric shock.
- The dust produced when using this tool may be harmful to health. Do not inhale the dust. Use a dust absorption system and wear a suitable dust protection mask. Remove deposited dust thoroughly, e.g., with a vacuum cleaner.
- Do not remove splinters or saw dust while tool is running.
- Only plane with sharp blades, avoid metals (nails, screws). Check the workpiece before planing.
- Do not reach into the danger area of the tool when plugged in.
- Place the front plate of the machine on to the workpiece and switch on, before the planer blade touches the workpiece and then guide evenly over the workpiece.
- The v-shape notch in the front of the supporting plate ensures safe chamfering of edges.

**Note:** The self opening swivel guard should be lifted only

by the workpiece or with the lever.

**Note:** Do not reach into the dust port with your fingers. They could be injured by the rotating blades.

- Stop the product, make sure that the blade comes to a complete stop and remove the battery before:
  - Cleaning a blockage or unclogging
  - Checking, cleaning or working on the product
- Use the dust collection device or connect a dust extraction vacuum when operating the product.
- Ambient temperature range for tool during operation is between 0°C and 40°C.
- Ambient temperature range for tool storage is between 0°C and 40°C.
- The recommended ambient temperature range for the charging system during charging is between 10°C and 38°C.

### ADDITIONAL BATTERY SAFETY WARNINGS

#### ⚠ WARNING

To reduce the risk of fire, personal injury, and product damage due to a short circuit, never immerse your tool, battery pack or charger in fluid or allow a fluid to flow inside them. Corrosive or conductive fluids, such as seawater, certain industrial chemicals, and bleach or bleach-containing products, etc., can cause a short circuit.

- Ambient temperature range for battery during use is between 0°C and 40°C.
- Ambient temperature range for battery storage is between 0°C and 20°C.

### TRANSPORTING LITHIUM BATTERIES

Transport the battery in accordance with local and national provisions and regulations.

Follow all special requirements on packaging and labelling when transporting batteries by a third party. Ensure that no batteries can come in contact with other batteries or conductive materials while in transport by protecting exposed connectors with insulating, non-conductive caps or tape. Do not transport batteries that are cracked or leaking. Check with the forwarding company for further advice.

### RESIDUAL RISKS

Even when the product is used as prescribed, it is still impossible to completely eliminate certain residual risk factors. The following hazards may arise and the operator should pay special attention to avoid the following:

- Injury caused by dust
  - Using the product will produce considerable amount of dust and fine particles. Use the dust collection device or connect a dust extraction vacuum when operating the product. Wear dust masks containing filters appropriate to the materials being worked on. Ensure adequate workplace ventilation. Do not eat, drink, or smoke in the work area. Only operate

on materials which are specified in the Intended use section. Do not operate on materials (e.g., asbestos) which present a health hazard.

- Injury caused by noise and vibration
  - Wear ear protection during operation. Do not operate the product for long periods of time. See "Risk reduction".

## RISK REDUCTION

It has been reported that vibrations from handheld tools may contribute to a condition called Raynaud's Syndrome in certain individuals. Symptoms may include tingling, numbness and blanching of the fingers, usually apparent upon exposure to cold. Hereditary factors, exposure to cold and dampness, diet, smoking and work practices are all thought to contribute to the development of these symptoms. There are measures that can be taken by the operator to possibly reduce the effects of vibration:

- Keep your body warm in cold weather. When operating the unit wear gloves to keep the hands and wrists warm. It is reported that cold weather is a major factor contributing to Raynaud's Syndrome.
- After each period of operation, exercise to increase blood circulation.
- Take frequent work breaks. Limit the amount of exposure per day.

If you experience any of the symptoms of this condition, immediately discontinue use and see your doctor about these symptoms.

### WARNING

Injuries may be caused or aggravated by prolonged use of a tool. When using any tool for prolonged periods, ensure you take regular breaks.

## KNOW YOUR PRODUCT

See page 90.

1. Spring-loaded blade guard
2. Dust port
3. Dust flow direction knob
4. Lock-off button
5. Trigger
6. Depth adjustment knob
7. Dust flow direction mark
8. Depth scale
9. Battery port
10. Blade
11. Kickstand
12. Wrench
13. Dust bag adaptor
14. Dust bag
15. Vacuum adaptor
16. Side fence knob
17. Side fence

## OPERATION

### USING THE DUST PORT

#### Using a vacuum cleaner

Connect the dust port to a dust extraction system to ensure optimum extraction.

A vacuum adaptor can be attached to either side of the dust port.

- Connect the vacuum adaptor to a vacuum cleaner.
- Use a vacuum cleaner which is suitable for the material being worked.
- Use a special vacuum cleaner when vacuuming dry dust which is detrimental to health or carcinogenic.

#### Using the dust bag

Use the dust bag for smaller jobs.

- Insert the dust bag adaptor into the dust port.
- Empty the dust bag regularly to maintain optimum dust collection.

Remove the battery and clean the dust port regularly. Remove any clogging object using a suitable tool.

**NOTE:** Do not reach into the dust port with your hands. They could be injured by rotating parts.

## MAINTENANCE

### WARNING

The product should never be connected to a power supply when assembling parts, making adjustments, cleaning, performing maintenance, or when the product is not in use. Disconnecting the product from the power supply will prevent accidental starting that could cause serious injury.

### WARNING

When servicing, use only original manufacturer's replacement parts, accessories and attachments. Use of any other parts may create a hazard or cause product damage.

- Avoid using solvents when cleaning plastic parts. Most plastics are susceptible to various types of commercial solvents and may be damaged by their use. Use clean cloths to remove dirt, carbon dust, etc.

### WARNING

Do not at any time let brake fluids, gasoline, petroleum-based products, penetrating oils, etc., come in contact with plastic parts. Chemicals can damage, weaken or destroy plastic which may result in serious personal injury.

### **WARNING**

For greater safety and reliability, all repairs should be performed by an authorised service centre.

- Always wear safety goggles or safety glasses with side shields during power tool operation or when blowing dust. If operation is dusty, also wear a dust mask.
- Replace worn blades with new ones.
- The blade has sharp edges and may also remain hot after cutting operations. Exercise extreme caution when cleaning an exposed blade. Wear gloves to protect yourself from personal injury.

### **LUBRICATION**

All of the bearings in the product are lubricated with a sufficient amount of high grade lubricant for the life span of the product under normal operating conditions. Therefore, no further lubrication is required.

### **ENVIRONMENTAL PROTECTION**



Recycle raw materials instead of disposing of as waste. The machine, accessories and packaging should be sorted for environment-friendly recycling.

### **SYMBOLS ON THE PRODUCT**



Safety alert



No-load speed



Volts



Direct current



Please read the instructions carefully before starting the machine.



CE conformity



EurAsian Conformity Mark.



Ukrainian mark of conformity



Maximum planing capacity



Maximum planing capacity



Wear eye protection



Waste electrical products should not be disposed of with household waste. Please recycle where facilities exist. Check with your local authority or retailer for recycling advice.

### **SYMBOLS IN THIS MANUAL**



Note



Parts or accessories sold separately



Unlock



Lock

The following signal words and meanings are intended to explain the levels of risk associated with this product:

#### **DANGER**

Indicates an imminently hazardous situation, which, if not avoided, will result in death or serious injury.

#### **WARNING**

Indicates a potentially hazardous situation, which, if not avoided, could result in death or serious injury.

#### **CAUTION**

Indicates a potentially hazardous situation, which, if not avoided, may result in minor or moderate injury.

#### **CAUTION**

(Without Safety Alert Symbol) Indicates a situation that may result in property damage.

Votre raboteuse a été conçue en donnant priorité à la sécurité, à la performance et à la fiabilité.

### UTILISATION PREVUE

La raboteuse est uniquement conçue pour une utilisation par les adultes ayant lu et compris les instructions et avertissements inclus dans le présent manuel et pouvant être considérés comme responsables de leurs actes.

Ce produit a été uniquement conçu pour le rabotage du bois (retrait d'une couche uniforme dans le but d'obtenir une finition plane et lisse) et pour la réalisation de feuillures dans le bois.

Cet appareil ne doit pas être utilisé comme une raboteuse-dégauchisseuse de table.

Il ne doit être utilisé que dans un environnement bien ventilé.

Ce produit est destiné à une utilisation privée. Ne vous servez pas de ce produit pour d'autres utilisations que celles décrites au chapitre des utilisations prévues.

### ⚠ AVERTISSEMENT

**Lisez attentivement l'ensemble des avertissements, instructions et spécifications fournis avec cet outil, et reportez-vous aux illustrations.** Le non-respect des instructions présentées ci-après peut entraîner des accidents tels que des incendies, des décharges électriques et/ou des blessures corporelles graves.

**Conservez tous les avertissements et toutes les instructions pour pouvoir vous y reporter ultérieurement.**

### AVERTISSEMENTS DE SÉCURITÉ RELATIFS À LA RABOTEUSE

- **Attendez que la lame se soit arrêtée avant de poser l'outil.** Une lame saillante en rotation est susceptible d'accrocher la surface, entraînant une possible perte de contrôle et de graves blessures.
- **Utilisez des pinces ou une autre méthode pratique pour sécuriser et maintenir la pièce de travail sur une plateforme stable.** Le fait de tenir la pièce de travail à la main ou contre le corps entraîne son déséquilibre et pourrait entraîner une perte de contrôle.

### RÈGLES DE SÉCURITÉ ADDITIONNELLES

- Ne tenez l'outil que par ses surfaces de préhension isolées. La coupe d'un câble "sous tension" pourrait véhiculer cette tension électrique vers les parties métalliques de l'outil et exposer l'opérateur à une décharge électrique.
- La poussière générée par l'utilisation de cet outil peut être préjudiciable à votre santé. N'inhalez pas la poussière. Utilisez un dispositif d'aspiration de poussières et portez en plus un masque de protection approprié. Retirez soigneusement la sciure, par ex. à l'aide d'un aspirateur.
- Ne tentez pas de retirer des échardes ou de la sciure lorsque cet outil est en fonctionnement.

- Ne rabotez qu'avec des lames bien affûtées, évitez le métal (clous, vis). Vérifiez la pièce à raboter avant de commencer.
- Ne tentez pas d'atteindre la zone de danger de l'outil une fois que celui-ci est branché.
- Placez la plaque avant de la machine sur la pièce à usiner et mettez en marche avant que la lame de la raboteuse ne touche la pièce. Guidez-la ensuite régulièrement sur la pièce à usiner.
- L'encoche en V à l'avant de la plaque de support assure un chanfreinage sécurisé des bords.

**Remarque:** La protection pivotante à ouverture automatique doit être soulevée uniquement par la pièce à usiner ou avec le levier.

**Remarque:** ne mettez pas vos doigts dans la sortie de poussière. Vous pourriez vous blesser les doigts avec les lames en rotation.

- Arrêtez l'appareil, assurez-vous de l'arrêt complet de la lame et retirez le bloc de batterie avant de:
  - Nettoyer un blocage ou déboucher
  - Vérifier, nettoyer ou travailler sur le produit
- Utilisez le dispositif de collecte des poussières ou raccordez un aspirateur d'extraction des poussières lorsque vous utilisez le produit.
- La plage de température ambiante pour l'outil en fonctionnement se situe entre 0 °C et 40 °C.
- La plage de température ambiante pour l'entreposage de l'outil se situe entre 0 °C et 40 °C.
- La plage de température ambiante recommandée pour le système de chargement en fonctionnement se situe entre 10 °C et 38 °C.

### MISES EN GARDE DE SÉCURITÉ SUPPLÉMENTAIRES CONCERNANT LA BATTERIE

#### ⚠ AVERTISSEMENT

Pour réduire le risque d'incendie, de blessures corporelles et de dommages cau-sés par un court-circuit, ne jamais immerger l'outil, le bloc-piles ou le chargeur dans un liquide ou laisser couler un fluide à l'intérieur de celui-ci. Les fluides corrosifs ou conducteurs, tels que l'eau de mer, certains produits chim-iques industriels, les produits de blanchiment ou de blanchi-ment, etc., Peuvent provoquer un court-circuit.

- La plage de température ambiante pour la batterie en utilisation se situe entre 0 °C et 40 °C.
- La plage de température ambiante pour l'entreposage de la batterie se situe entre 0 °C et 20 °C.

### TRANSPORT DES BATTERIES AU LITHIUM

Transportez les batteries en conformité avec les dispositions et règlements locaux et nationaux.

Respectez toutes les exigences légales particulières concernant l'emballage et l'étiquetage des batteries lorsque vous confiez leur transport à un tiers. Assurez-vous qu'aucune batterie ne puisse entrer en contact avec une autre batterie ou avec des matériaux conducteurs lors



de son transport en isolant les bornes électriques avec du ruban adhésif ou des capuchons isolants. Ne transportez pas une batterie qui serait fendue ou qui fuirait. Demandez conseil au transporteur pour de plus amples informations.

## RISQUES RÉSIDUELS

Même lorsque le produit est utilisé selon les prescriptions, il reste impossible d'éliminer totalement certains facteurs de risque résiduels. Les dangers suivants risquent de se présenter en cours d'utilisation et l'utilisateur doit prêter particulièrement garde aux points suivants :

- Blessures dues à la poussière
  - Le produit génère des quantités considérables de poussière et de particules fines lors de son utilisation. Utilisez le dispositif de collecte des poussières ou raccordez un aspirateur d'extraction des poussières lorsque vous utilisez le produit. Portez un masque anti-poussière équipé de filtres adaptés au matériau sur lequel vous travaillez. Assurez une ventilation correcte à l'espace de travail. Ne mangez pas, ne buvez pas et ne fumez pas dans l'espace de travail. Utilisez uniquement sur des matériaux spécifiés dans la section Utilisation prévue. N'opérez pas sur des matériaux (par ex. l'amiante) qui présentent un risque pour la santé.
- Blessures causées par le bruit et les vibrations
  - Lors de l'utilisation du produit, portez une protection auditive. N'utilisez pas le produit de façon prolongée. Voir « Réduction des risques ».

## RÉDUCTION DES RISQUES

Il a été reporté que les vibrations engendrées par les outils tenus à main peuvent contribuer à l'apparition d'un état appelé le syndrome de Raynaud chez certaines personnes. Les symptômes peuvent comprendre des fourmillements, un engourdissement et un blanchiment des doigts, généralement par temps froid. Des facteurs héréditaires, l'exposition au froid et à l'humidité, le régime alimentaire, le tabagisme et les habitudes de travail peuvent contribuer au développement de ces symptômes. Certaines mesures peuvent être prises par l'utilisateur pour aider à réduire les effets des vibrations:

- Gardez votre corps au chaud par temps froid. Lorsque vous utilisez l'appareil, portez des gants afin de garder vos mains et vos poignets au chaud. Le temps froid est considéré comme un facteur contribuant très largement à l'apparition du syndrome de Raynaud.
- Après chaque session de travail, pratiquez des exercices qui favorisent la circulation sanguine.
- Faites des pauses fréquentes. Limitez la quantité d'exposition journalière.

Si vous ressentez l'un des symptômes associés à ce syndrome, arrêtez immédiatement le travail et consultez votre médecin pour lui en faire part.

## AVERTISSEMENT

L'utilisation prolongée d'un outil est susceptible de provoquer ou d'aggraver des blessures. Assurez-vous de faire des pauses de façon régulière lorsque vous utilisez tout outil de façon prolongée.

## APPRENEZ A CONNAITRE VOTRE PRODUIT

Voir la page 90.

1. Protection de lame à ressort
2. Sortie de poussière
3. Bouton de direction d'éjection des poussières
4. Bouton de déverrouillage de la gâchette
5. Déclencheur
6. Bouton de réglage de la profondeur
7. Marque de direction d'éjection des poussières
8. Échelle de profondeur
9. Réceptacle de la batterie
10. Lame
11. Béquille
12. Clé de service
13. Adaptateur du sac à poussière
14. Sac à poussière
15. Adaptateur d'aspiration
16. Bouton de guide latéral
17. Guide latéral

## UTILISATION

### UTILISATION DE LA SORTIE DE POUSSIÈRE

#### Utilisation d'un aspirateur

Reliez la sortie de poussière à un système d'extraction de la poussière afin de garantir une extraction optimale.

Un adaptateur d'aspiration peut être installé à une des extrémités de la sortie de poussière.

- Reliez l'adaptateur d'aspiration à l'aspirateur.
- Utilisez un aspirateur adapté au matériau travaillé.
- Utilisez un aspirateur spécial si des poussières sèches néfastes à la santé ou cancérigènes sont aspirées.

#### Utilisation du sac à poussière

Utilisez le sac à poussière pour les tâches plus restreintes.

- Insérez l'adaptateur de sac à poussière dans la sortie de poussière.
- Videz régulièrement le sac à poussière afin de maintenir un niveau optimal pour le recueil de la poussière.

Enlevez la batterie et nettoyez la sortie de poussière régulièrement. Retirez tout objet obstruant à l'aide d'un outil adapté.

**Remarque:** ne mettez pas vos mains dans la sortie de poussière. Vous pourriez vous blesser les mains avec les éléments en rotation.



## ENTRETIEN

### ⚠ AVERTISSEMENT

Le produit ne doit jamais être branché à une source de courant lorsque vous y montez des pièces, lorsque vous effectuez des réglages, lorsque vous le nettoyez, lorsque vous l'entretenez, ou lorsque vous ne l'utilisez pas. Déconnecter le produit de l'alimentation électrique empêche les démarrages accidentels qui peuvent causer des blessures graves.

### ⚠ AVERTISSEMENT

N'effectuez l'entretien qu'à l'aide de pièces détachées et d'accessoires d'origine constructeur. L'utilisation de toute autre pièce est susceptible de présenter un danger ou d'endommager votre outil.

- Évitez d'utiliser des solvants pour nettoyer les parties en plastique. La plupart des plastiques sont susceptibles d'être endommagés par les solvants disponibles dans le commerce. Utilisez un chiffon propre pour essuyer les impuretés, la poussière, etc.

### ⚠ AVERTISSEMENT

Ne laissez jamais du liquide de frein, de l'essence, des produits pétroliers, des huiles pénétrantes, etc. entrer en contact avec les éléments en plastique. Les produits chimiques peuvent endommager, affaiblir ou détruire les plastiques, ce qui pourrait entraîner de graves blessures.

### ⚠ AVERTISSEMENT

Pour plus de sécurité et de fiabilité, toutes les réparations doivent être effectuées par un centre de service agréé.

- Portez toujours un masque oculaire ou des lunettes de protection à volets latéraux lorsque vous utilisez l'outil électrique ou lorsque vous soufflez de la poussière. Si l'opération génère des poussières, portez également un masque antipoussière.
- Remplacez les lames usées par des neuves.
- La lame a des bords tranchants et peut aussi rester chaude après les opérations de découpe. Soyez extrêmement prudent quand vous nettoyez une lame exposée. Portez des gants pour vous protéger et éviter de vous blesser.

## LUBRIFICATION

Tous les roulements de ce produit sont lubrifiés avec une quantité suffisante d'huile de haute qualité pour toute sa durée de vie dans des conditions d'utilisation normales. Par conséquent, aucune lubrification supplémentaire n'est nécessaire.

## PROTECTION DE L'ENVIRONNEMENT



Recyclez les matières premières au lieu de les jeter avec les ordures ménagères. Pour protéger l'environnement, l'outil, les accessoires et les emballages doivent être triés.

## SYMBOLES APPLIQUES SUR LE PRODUIT



Alerte de sécurité



Vitesse à vide



Volts



Courant continu



Veillez lire attentivement le mode d'emploi avant de démarrer la machine.



Conformité CE



Marque de conformité d'Eurasie



Marque de conformité ukrainienne



Capacité maximale de rabotage



Capacité maximale de rabotage



Portez une protection oculaire



Les produits électriques hors d'usage ne doivent pas être jetés avec les ordures ménagères. Recyclez-les par l'intermédiaire des structures disponibles. Contactez les autorités locales ou votre distributeur pour vous renseigner sur les conditions de recyclage.

## SYMBOLES PRESENTS DANS LE MANUEL



Remarque



Pièces détachées et accessoires vendus séparément





Déverrouillage



Verrouillage

Les symboles suivants, et les noms qui leur sont associés, permettent d'expliquer les différents niveaux de risques liés à l'utilisation de cet outil.

 **DANGER**

Imminence d'un danger qui, si l'on n'y prend garde, peut entraîner des blessures graves voire mortelles.

 **AVERTISSEMENT**

Situation potentiellement dangereuse qui, si l'on n'y prend garde, peut entraîner des blessures graves voire mortelles.

 **ATTENTION**

Situation potentiellement dangereuse qui, si l'on n'y prend garde, peut entraîner des blessures moyennes ou légères.

**ATTENTION**

(Sans symbole de sécurité) Indique une situation pouvant provoquer des dommages matériels.

Sicherheit, Leistung und Zuverlässigkeit hatten oberste Priorität bei der Entwicklung Ihres Hobels.

### BESTIMMUNGSGEMÄSSE VERWENDUNG

Der Hobel ist ausschließlich zur Nutzung durch Erwachsene konzipiert, die die Anleitung und die Sicherheitshinweise in diesem Handbuch gelesen und verstanden haben und als für ihre Handlungen verantwortlich betrachtet werden können.

Das Produkt ist nur zum Hobeln (Entfernen einer gleichmäßigen Schicht, um eine glatte, ebene Oberfläche zu erhalten) und Falzen von Holz vorgesehen.

Das Produkt ist nicht zum stationären Hobeln geeignet.

Das Produkt sollte in einem gut belüfteten Bereich benutzt werden.

Das Gerät ist ausschließlich zur privaten Nutzung geeignet. Benutzen Sie das Produkt nicht für andere Aufgaben, als die genannten bestimmungsgemäßen Verwendungen.

### ⚠️ WARNUNG

**Lesen Sie aufmerksam alle mit diesem Werkzeug gelieferten Warnungen, Anweisungen und Spezifikationen, beziehen Sie sich auf die Illustrationen.** Die Nichtbeachtung der weiter unten aufgeführten Anweisungen kann Unfälle wie Brände, Elektroschocks und/oder schwere Körperverletzungen zur Folge haben.

**Bewahren Sie diese Sicherheitshinweise und Anweisungen für einen späteren Gebrauch gut auf.**

### SICHERHEITSHINWEISE FÜR DEN HOBEL

- **Warten Sie den Stillstand der Messerwelle ab, bevor Sie das Elektrowerkzeug ablegen.** Eine freiliegende rotierende Messerwelle kann sich mit der Oberfläche verhaken und zum Verlust der Kontrolle sowie schweren Verletzungen führen.
- **Befestigen und sichern Sie das Werkstück mittels Zwingen oder auf andere Art und Weise an einer stabilen Unterlage.** Wenn Sie das Werkstück nur mit der Hand oder gegen Ihren Körper halten, bleibt es labil, was zum Verlust der Kontrolle führen kann.

### ZUSÄTZLICHE SICHERHEITSVORSCHRIFTEN

- Halten Sie das Gerät an den isolierten Griffflächen. Wenn ein stromführendes Kabel zerschnitten wird, können Metallteile des Elektrowerkzeuges unter Strom stehen und den Bediener einem Stromschlag aussetzen.
- Der bei der Benutzung entstehende Staub kann gesundheitsschädlich sein. Atmen Sie den Staub nicht ein. Staubabsaugung verwenden und zusätzlich geeignete Staubschutzmaske tragen. Entfernen Sie gründlich den abgelagerten Staub, z. B. mit einem Staubsauger.
- Entfernen Sie niemals Splitter oder Sägemehl, während das Werkzeug läuft.
- Hobeln Sie nur mit scharfen Messern, niemals über

Metalle (Nägel, Schrauben). Überprüfen Sie das Werkstück vor dem Hobeln.

- Greifen Sie nicht in den Gefahrenbereich, wenn das Werkzeug an die Stromversorgung angeschlossen ist.
  - Platzieren Sie die Vorderplatte des Geräts auf das Werkstück und schalten Sie das Gerät ein, bevor die Messer des Hobels das Werkstück berühren; führen Sie den Hobel dann gleichmäßig über das Werkstück.
  - Die v-förmige Kerbe an der Vorderseite der Stützplatte gewährleistet ein sicheres Abschrägen von Kanten.
- Hinweis:** Der selbstöffnende Messerschutz sollte nur durch das Werkstück oder mit dem Hebel angehoben werden.
- Hinweis:** Greifen Sie nicht mit den Fingern in den Anschluss für Staubbeutel / Staubabsaugung. Sie könnten sich durch die rotierenden Messern verletzen.
- Halten Sie das Gerät an, stellen Sie sicher, dass die Messer vollständig stillstehen und entfernen Sie den Akku, bevor Sie:

- eine Blockierung entfernen oder eine Verstopfung beseitigen
  - das Gerät prüfen, reinigen oder daran arbeiten
- Verwenden Sie die Staubauffangeinrichtung oder schließen eine Staubabsaugung an, wenn Sie das Produkt benutzen.
  - Der Umgebungstemperaturbereich für das Werkzeug während des Betriebs liegt zwischen 0 °C und 40 °C.
  - Der Umgebungstemperaturbereich für die Lagerung des Werkzeugs liegt zwischen 0 °C und 40 °C.
  - Der empfohlene Umgebungstemperaturbereich für das Ladesystem während des Ladevorgangs liegt zwischen 10 °C und 38 °C.

### WEITERE SICHERHEITSHINWEISE ZUM AKKU

#### ⚠️ WARNUNG

Um die durch einen Kurzschluss verursachte Gefahr eines Brandes, von Verletzungen oder Produktbeschädigungen zu vermeiden, tauchen Sie das Werkzeug, den Wechselakku oder das Ladegerät nicht in Flüssigkeiten ein und sorgen Sie dafür, dass keine Flüssigkeiten in die Geräte und Akkus eindringen. Korrodierende oder leitfähige Flüssigkeiten, wie Salzwasser, bestimmte Chemikalien und Bleichmittel oder Produkte, die Bleichmittel enthalten, können einen Kurzschluss verursachen.

- Der Umgebungstemperaturbereich für die Batterie während des Gebrauchs liegt zwischen 0 °C und 40 °C.
- Der Umgebungstemperaturbereich für die Lagerung der Batterie liegt zwischen 0 °C und 20 °C.

### TRANSPORT VON LITHIUM AKKUS

Transportieren Sie den Akku gemäß Ihren örtlichen und nationalen Bestimmungen und Regeln.

Befolgen Sie alle besonderen Anforderungen für Verpackung und Beschriftung, wenn Sie Akkus von Dritten transportieren lassen. Stellen Sie sicher, dass beim Transport kein Akku in Kontakt mit anderen Akkus

oder leitenden Materialien kommt, indem Sie die freien Anschlüsse mit Isolierband, nichtleitenden Kappen oder Klebeband schützen. Beschädigte oder auslaufende Akkus dürfen nicht transportiert werden. Befragen Sie Ihre Transportfirma nach weiteren Informationen.

## RESTRISIKEN

Sogar wenn das Produkt wie vorgeschrieben benutzt wird, ist es unmöglich ein gewisses Restrisiko vollständig auszuschließen. Die folgenden Gefahren können bei der Benutzung entstehen, und der Benutzer sollte besonders auf folgende Punkte achten:

- Durch Staub verursachte Verletzungen.
  - Die Benutzung des Produktes verursacht erhebliche Mengen von Staub und feinen Partikeln. Verwenden Sie die Staubauffangeinrichtung oder schließen eine Staubabsaugung an, wenn Sie das Produkt bedienen. Tragen Sie eine für das zu bearbeitende Material geeignete Staubmaske mit Filter. Sorgen Sie für ausreichende Belüftung des Arbeitsbereichs. Essen, trinken oder rauchen Sie nicht in dem Arbeitsbereich. Arbeiten Sie nur an Materialien, die im Abschnitt der vorgesehenen Nutzung angegeben wurden. Es dürfen keine Materialien bearbeitet werden, von denen eine Gesundheitsgefährdung ausgeht (z.B. Asbest).
- Verletzungen durch Lärm und Vibration
  - Tragen Sie während des Bedienens einen Gehörschutz. Benutzen Sie das Produkt nicht über lange Zeiträume. Siehe "Risikoverringering".

## RISIKOVERRINGERUNG

Vibrationen von in der Hand gehaltenen Werkzeugen können bei einigen Personen zu einem Zustand, der Raynaud-Syndrom genannt wird, führen. Symptome sind u.a. Kribbeln, Taubheitsgefühl und episodische Weißfärbung der Finger und treten normalerweise bei Kälte auf. Man geht davon aus, dass ererbte Faktoren, Kälte und Feuchtigkeit, Essgewohnheiten, Rauchen und Arbeitsweise zur Entwicklung dieser Symptome beitragen. Der Anwender kann Maßnahmen ergreifen, um die Auswirkungen der Vibrationen möglicherweise zu verringern:

- Halten Sie den Körper bei Kälte warm. Tragen Sie beim Betrieb des Geräts Handschuhe, um Hände und Handgelenke warm zu halten. Berichten zu Folge ist kaltes Wetter ein wesentlicher Faktor, der zum Raynaud Syndrom beiträgt.
- Betätigen Sie sich nach jedem Einsatz körperlich, um den Blutkreislauf zu steigern.
- Machen Sie regelmäßig Pausen. Beschränken Sie die Beanspruchung pro Tag.

Sollten bei Ihnen eines der zuvor beschriebenen Symptome / Zustände auftreten, stellen Sie unverzüglich den Betrieb ein und suchen Sie bezüglich der Symptome einen Arzt auf.

## ⚠️ WARNUNG

Verletzungen können durch lange Benutzung eines Werkzeugs entstehen oder verschlimmert werden. Machen Sie regelmäßig Pause, wenn Sie ein Werkzeug für lange Zeit benutzen.

## MACHEN SIE SICH MIT IHREM PRODUKT VERTRAUT

Siehe Seite 90.

1. Selbstöffnender Messerschut
2. Anschluss für Staubbeutel / Staubabsaugung
3. Umschalter für Luftstrom
4. Einschaltsperr
5. Ein-/Aussschalter
6. Einstellung Hobeltiefe
7. Kennzeichnung des Luftstromes
8. Hobeltiefenskala
9. Akku-Aufnahmeschacht
10. Hobelmesser
11. Ständer
12. Schraubenschlüssel
13. Staubbeutelanschluss
14. Staubbeutel
15. Adapter für Staubabsaugung
16. Feststellschraube Seitenanschlag
17. Seitenanschlag

## BETRIEB

### DEN ANSCHLUSS FÜR STAUBBEUTEL / STAUBABSUGUNG VERWENDEN

#### Den Staubsauger verwenden

Verbinden Sie den Absauganschluss mit einem Staubabsaugsystem, um eine optimale Absaugung zu gewährleisten.

Ein Adapter für Staubabsaugung kann an beiden Seiten des Absauganschlusses angebracht werden.

- Schließen Sie den Adapter für Staubabsaugung an einen Staubsauger an.
- Verwenden Sie einen Staubsauger, der für das zu bearbeitende Material geeignet ist.
- Verwenden Sie einen speziellen Staubsauger beim Absaugen von trockenem Staub, der gesundheitsschädlich oder krebserregend ist.

#### Den Staubbeutel verwenden

Verwenden Sie den Staubbeutel für kleinere Aufgaben.

- Setzen Sie den Staubbeuteladapter in den Absauganschluss ein.
- Leeren Sie den Staubbeutel regelmäßig, um eine optimale Staubsammlung zu gewährleisten.

Entfernen Sie den Akku und reinigen Sie den Absauganschluss regelmäßig. Entfernen Sie jegliches blockierende Objekt mit einem geeigneten Werkzeug.

**BITTE BEACHTEN:** Greifen Sie nicht mit den Händen in den Absauganschluss. Sie könnten sich durch rotierende Teile verletzen.

## WARTUNG UND PFLEGE

### ⚠️ WARNUNG

Das Produkt darf niemals an das Stromnetz angeschlossen sein, wenn Sie Teile zusammenbauen, Einstellungen vornehmen, reinigen, Wartungsarbeiten durchführen, oder wenn das Produkt nicht benutzt wird. Das Trennen des Produkts von der Stromversorgung verhindert einen unbeabsichtigten Start, der zu schweren Verletzungen führen kann.

### ⚠️ WARNUNG

Verwenden Sie zur Wartung ausschließlich original Ersatzteile, Zubehör und Aufsätze des Herstellers. Der Einsatz von anderen Teilen kann eine Gefahr verursachen oder das Produkt beschädigen.

- Vermeiden Sie beim Reinigen der Plastikteile den Einsatz von Lösungsmitteln. Die meisten Kunststoffe können durch im Handel erhältliche Lösungsmittel beschädigt werden. Verwenden Sie einen sauberen Lappen für die Reinigung von Verschmutzungen, Karbonstaub usw.

### ⚠️ WARNUNG

Lassen Sie niemals Bremsflüssigkeiten, Benzine, Produkte auf Erdölbasis, Rostlöser usw. mit den Plastikeilen in Kontakt geraten. Chemikalien können Plastik beschädigen, aufweichen oder zerstören, was zu schweren Verletzungen führen kann.

### ⚠️ WARNUNG

Alle Reparaturen sollten zur besseren Sicherheit und Zuverlässigkeit von einem autorisierten Kundendienst durchgeführt werden.

- Tragen Sie beim Arbeiten mit motorbetriebenen Werkzeugen oder beim Wegblasen von Staub immer eine Schutzbrille mit Seitenschutz. Tragen Sie außerdem bei staubigen Arbeiten eine Atemschutzmaske.
- Ersetzen Sie abgenutzte Messer durch neue Messer.
- Die Klinge hat scharfe Kanten und kann nach dem Hobeln heiß sein. Seien Sie beim Reinigen freiliegender Messer extrem vorsichtig. Tragen Sie Handschuhe, um sich vor Verletzungen zu schützen.

## ÖLEN

Alle Lagerelemente in dem Produkt sind mit genug qualitativ hochwertigem Schmiermittel für die gesamte Lebensdauer des Produktes unter normalen Betriebsbedingungen geölt. Es ist daher keine zusätzliche Schmierung erforderlich.

## UMWELTSCHUTZ



Recyceln Sie die Rohstoffe, anstatt sie im Haushaltsabfall zu entsorgen. Zum Schutz der Umwelt müssen das Gerät, die Zubehörteile und die Verpackungen getrennt entsorgt werden.

## SYMBOLE AUF DEM PRODUKT



Sicherheitswarnung



Leerlaufdrehzahl



Volt



Gleichstrom



Bitte lesen Sie die Anweisungen sorgfältig, bevor Sie das Gerät einschalten.



CE Konformität



EurAsian Konformitätszeichen



Ukrainisches Prüfzeichen



Maximale Hobelleistung



Maximale Hobelleistung



Augenschutz tragen



Elektrische Geräte sollten nicht mit dem übrigen Müll entsorgt werden. Bitte entsorgen Sie diese an den entsprechenden Entsorgungsstellen. Wenden Sie sich an die örtliche Behörde oder Ihren Händler, um Auskunft über die Entsorgung zu erhalten.

## SYMBOLE IN DER BEDIENUNGSANLEITUNG



Hinweis



Teile oder Zubehör getrennt erhältlich



Öffnen



Sperren

Mit den folgenden Symbolen wird die Bedeutung der verschiedenen Risikostufen, die mit dem Produkt einhergehen, dargestellt.

#### **GEFAHR**

Bezeichnet eine unmittelbare Gefahrensituation, die, falls nicht vermieden, zum Tode oder schweren Verletzungen führen kann.

#### **WARNUNG**

Bezeichnet eine mögliche Gefahrensituation, die, falls nicht vermieden, zum Tode oder schweren Verletzungen führen kann.

#### **ACHTUNG**

Bezeichnet eine mögliche Gefahrensituation, die, falls nicht vermieden, zu kleineren und mittleren Verletzungen führen kann.

#### **ACHTUNG**

(Ohne Warnsymbol) weist auf eine Situation hin, die zu Sachschaden führen kann.

Seguridad, desempeño y fiabilidad han sido las prioridades en el diseño de su cepilladora.

### USO PREVISTO

La cepilladora está concebida para que la usen únicamente adultos que hayan leído y comprendido las instrucciones y advertencias de este manual, y que puedan considerarse responsables de sus acciones.

El producto solo está diseñado para cepillar (eliminar una capa uniforme para propocionar un acabado suave y liso) y rebajar madera.

El producto no está pensado para utilizar en cepillados fijos.

El producto solo debe utilizarse en áreas bien ventiladas.

Este producto está diseñado exclusivamente para un uso personal. Utilice el producto exclusivamente para el uso para el que fue diseñado.

### ⚠ ADVERTENCIA

**Lea atentamente todas las advertencias, instrucciones y especificaciones suministradas con la herramienta, y consulte las ilustraciones.** El incumplimiento de las instrucciones que se indican a continuación puede ocasionar diversos accidentes como incendios, descargas eléctricas y/o graves heridas corporales.

**Guarde todas estas advertencias e instrucciones para futuras referencias.**

### ADVERTENCIAS DE SEGURIDAD DE LA CEPILLADORA

- **Espera a que la cuchilla se pare antes de posar la herramienta.** Un cortador giratorio al descubierto podría entrar en contacto con la superficie y provocar una pérdida de control y lesiones graves.
- **Utilice cárceles u otros métodos prácticos para asegurar y sujetar la pieza de trabajo sobre una plataforma estable.** Si sujeta la pieza con la mano o la apoya contra el cuerpo puede ser inestable, lo que puede hacerle perder el control.

### NORMAS DE SEGURIDAD ADICIONALES

- Sujete la herramienta únicamente por las zonas de agarre aisladas. Al cortar un cable con corriente, las piezas de metal de la herramienta conectada pueden quedar expuestas, lo que podría producir una descarga eléctrica al operario.
- El polvo que se produce cuando se usa esta herramienta puede ser perjudicial para la salud. No inhale el polvo. Use un sistema de absorción de polvo y utilice una máscara adecuada de protección contra el polvo. Retire minuciosamente el polvo depositado, por ejemplo, con un aspirador.
- No retire las astillas o el serrín cuando la herramienta esté en funcionamiento.
- Sólo cepille con cuchillas afiladas, evite metales

(clavos, tornillos). Compruebe la pieza de trabajo antes de cepillarla.

- No introduzca la mano en la zona peligrosa de la herramienta cuando esté enchufada.
- Coloque la placa delantera de la máquina sobre la pieza de trabajo y enciéndala antes de que la cuchilla de la cepilladora toque la pieza de trabajo y, a continuación, guíela de forma regular sobre la pieza de trabajo.
- La muesca en forma de V situada en la parte delantera de la placa de soporte garantiza un biselado seguro de los cantos.

**Nota:** La protección oscilante con apertura automática solo se podrá elevar por la acción de la pieza de trabajo o con la palanca.

**Nota:** No coloque los dedos en la boca de salida de polvo. Podría sufrir lesiones a causa de las palas giratorias.

- Detenga el funcionamiento del producto, asegúrese de que la cuchilla se detiene por completo y retire la batería antes de:
  - Limpiar una obstrucción o eliminar un atasco
  - Revisar, limpiar o trabajar en el producto
- Use el dispositivo de recogida de polvo o conecte un aspirador para extracción de polvo al utilizar el producto.
- El rango de temperatura ambiente para la herramienta (producto) en funcionamiento es de entre 0 y 40 °C.
- El rango de temperatura ambiente en el entorno en el que se guarde la herramienta (producto) es de entre 0 y 40 °C.
- El rango de temperatura ambiente recomendado para el sistema de carga durante la carga es de entre 10 y 38 °C.

### ADVERTENCIAS DE SEGURIDAD DE LA BATERÍA ADICIONAL

#### ⚠ ADVERTENCIA

Para reducir el riesgo de incendio, lesión personales y daños al producto debido a un cortocircuito, no sumerja nunca la herramienta, el paquete de baterías o el cargador en líquido ni permita que fluya un fluido dentro de ellos. Los fluidos corrosivos o conductivos, como el agua de mar, ciertos productos químicos industriales y blanqueadores o lejías que contienen, etc., Pueden causar un cortocircuito.

- El rango de temperatura ambiente para la batería en uso es de entre 0 y 40 °C.
- El rango de temperatura ambiente para el almacenamiento de batería es de entre 0 y 20 °C.

### TRANSPORTE DE BATERÍAS DE LITIO

Transporte la batería de conformidad con las disposiciones y las normativas locales y nacionales.

Cuando las baterías sean transportadas por un tercero, cumpla los requisitos especiales relativos al embalaje y etiquetado. Asegúrese de que ninguna batería entra en contacto con otra batería o con materiales conductores



durante el transporte, proteja los conectores expuestos con tapones o tapas aislantes no conductoras. No transporte baterías con fisuras o fugas. Para más asesoramiento, póngase en contacto con la empresa de distribución.

## RIESGOS RESIDUALES

Incluso cuando se utiliza el producto según las instrucciones, sigue siendo imposible eliminar por completo ciertos factores de riesgo residuales. Pueden surgir los siguientes riesgos durante el uso y el operador debe prestar especial atención para evitar lo siguiente:

- Lesiones causadas por el polvo
  - El uso del producto producirá una cantidad considerable de polvo y partículas. Use el dispositivo de recogida de polvo o conecte un aspirador para extracción de polvo al utilizar el producto. Utilice mascarillas con filtros adecuados para los materiales con los que esté trabajando. Asegure una ventilación adecuada del lugar de trabajo. No comer, beber o fumar en el área de trabajo. Trabaje únicamente con los materiales especificados en el apartado Uso previsto. No utilizar sobre materiales que puedan suponer un riesgo para la salud (por ejemplo, amianto).
- Lesiones causadas por el ruido y la vibración
  - Utilice protecciones auditivas durante el trabajo. No utilice el producto durante largos períodos de tiempo. Consulte el apartado "Reducción De Riesgos".

## REDUCCIÓN DEL RIESGO

Se ha informado de que las vibraciones de las herramientas manuales pueden contribuir a una enfermedad llamada síndrome de Raynaud en ciertos individuos. Los síntomas pueden incluir hormigueo, entorpecimiento y decoloración de los dedos, generalmente aparentes cuando tiene lugar una exposición al frío. Se considera que los factores hereditarios, exposición al frío y a la humedad, dieta, tabaquismo y prácticas de trabajo contribuyen al desarrollo de estos síntomas. Existen medidas que pueden ser tomadas por el operador para reducir los efectos de vibración:

- Mantenga su cuerpo caliente durante el tiempo frío. Al manipular la unidad, utilice guantes para mantener las manos y las muñecas calientes. Hay informes que indican que el tiempo frío es un gran factor que contribuye al síndrome de Raynaud.
- Después de cada período de funcionamiento, realice ejercicios para aumentar la circulación sanguínea.
- Haga pausas de trabajo frecuentes. Limite la cantidad de exposición por día.

Si siente alguno de los síntomas de esta enfermedad, interrumpa inmediatamente el uso y consulte a su médico estos síntomas.

## ⚠ ADVERTENCIA

El uso prolongado de la herramienta puede provocar o agravar lesiones. Al utilizar cualquier herramienta durante períodos prolongados asegúrese de tomar descansos regulares.

## CONOZCA EL PRODUCTO

Consulte la página 90.

1. Protección de cuchilla accionada por resorte
2. Boquilla de aspiración
3. Perilla de dirección del flujo de polvo
4. Botón para liberar el gatillo
5. Gatillo
6. Perilla de ajuste de profundidad
7. Marca de dirección del flujo de polvo
8. Escala de profundidad
9. Puerto de la batería
10. Hoja
11. Soporte
12. Llave de servicio
13. Adaptador de la bolsa de polvo
14. Bolsa para el polvo
15. Adaptador para aspirador
16. Perilla de barrera lateral
17. Barrera lateral

## FUNCIONAMIENTO

### CÓMO USAR LA BOCA DE SALIDA DE POLVO

#### Cómo usar la aspiradora

Conecte la boca de salida de polvo al sistema de extracción de polvo para garantizar una extracción óptima.

Se puede conectar un adaptador para aspirador en cada lado de la boca de salida de polvo.

- Conecte el adaptador para aspirador a la aspiradora.
- Utilice la aspiradora adecuada para el material con el que se esté trabajando.
- Utilice una aspiradora especial cuando aspire polvo seco perjudicial para la salud o cancerígeno.

#### Utilice la bolsa de polvo

Utilice la bolsa de polvo para trabajos más pequeños.

- Inserte el adaptador de la bolsa de polvo a la boca de salida de polvo.
- Vacíe regularmente la bolsa de polvo para que la recogida de polvo sea óptima.

Elimine la batería y limpie la boca de salida de polvo regularmente. Quite los objetos que obstruyan con la herramienta adecuada.

**NOTA:** No coloque los dedos en la boca de salida de polvo. Podría sufrir lesiones a causa de las piezas giratorias.



## MANTENIMIENTO

### ⚠ ADVERTENCIA

El aparato nunca debe estar conectado a una fuente eléctrica mientras se estén montando las piezas, realizando ajustes, limpiando, llevando a cabo el mantenimiento o cuando no esté en uso. Desconectar el producto de la fuente de suministro evitará que se encienda de manera accidental, lo que podría provocar lesiones graves.

### ⚠ ADVERTENCIA

En el mantenimiento, utilice sólo piezas de repuesto y accesorios originales del fabricante. El uso de otras piezas puede ocasionar riesgos o daños en el producto.

- Evite el uso de disolventes para limpiar las piezas de plástico. La mayor parte de los plásticos pueden resultar dañados con los disolventes que se venden en el mercado. Utilice un paño limpio para quitar las impurezas, el polvo, etc.

### ⚠ ADVERTENCIA

No permita en ningún momento que las piezas de plástico entren en contacto con líquido de frenos, gasolina, productos derivados del petróleo, aceites penetrantes, etc. Los productos químicos pueden dañar, destruir o debilitar el plástico, lo que puede ocasionar graves daños personales.

### ⚠ ADVERTENCIA

Para una mayor seguridad y fiabilidad, todas las reparaciones deben ser realizadas por un centro de servicio autorizado.

- Siempre use gafas de seguridad o gafas de seguridad con protección lateral durante el funcionamiento de la herramienta eléctrica o cuando ésta desprenda polvo. Si la superficie de trabajo es polvorienta, use también una careta específica.
- Cambie las cuchillas gastadas por unas nuevas.
- La cuchilla tiene bordes afilados y también puede estar caliente después de realizar operaciones de corte. Extremar las precauciones cuando limpie una cuchilla expuesta. Utilice guantes para protegerse y evitar lesiones.

## LUBRICACIÓN

Todos los cojinetes de este producto están lubricados con una cantidad suficiente de lubricante de alta calidad para la vida del producto en condiciones normales de funcionamiento. Por lo tanto, no es menester prevenir ninguna lubricación adicional.

## PROTECCIÓN DEL MEDIO AMBIENTE



Recicle las materias primas en lugar de tirarlas a la basura doméstica. Para proteger el medio ambiente, debe separar la herramienta, los accesorios y los embalajes.

## SÍMBOLOS EN EL PRODUCTO



Alerta de seguridad



Velocidad sin carga



Voltios



Corriente directa



Por favor lea las instrucciones detenidamente antes de arrancar la máquina.



Conformidad CE



Certificado EAC de conformidad



Marca de conformidad ucraniana



Capacidad máxima de cepillado



Capacidad máxima de cepillado



Utilice gafas de seguridad



Los productos eléctricos de desperdicio no deben desecharse con desperdicios caseros. Por favor recíclelos donde existan dichas instalaciones. Compruebe con su autoridad local o minorista para reciclar.

## SÍMBOLOS EN ESTE MANUAL



Nota



Las piezas o accesorios se venden por separado





Desbloquear



Bloquear

Los siguientes símbolos y palabras detallan los niveles de cuidado necesarios para usar este producto.

 **PELIGRO**

Indica una situación inminente de peligro que, si no se evita, provocará la muerte o lesiones graves.

 **ADVERTENCIA**

Indica una situación potencialmente peligrosa que, si no se evita, podría causar la muerte o lesiones graves.

 **PRECAUCIÓN**

Indica una situación potencialmente peligrosa que, si no se evita, puede provocar lesiones leves o moderadas.

**PRECAUCIÓN**

(Sin símbolo de seguridad) Indica una situación que podría ocasionar daños materiales.

E' stata data massima priorità a sicurezza, prestazioni e affidabilità nel design di questa levigatrice.

## UTILIZZO

La piallatrice deve essere utilizzata solo da persone adulte, che abbiano letto e compreso le istruzioni e le avvertenze contenute in questo manuale, e che siano responsabili delle proprie azioni.

Prodotto adatto a levigare e piallare il legno (rimuovere uno strato e offrire rifiniture piatte e ben levigate).

Prodotto non adatto ad essere utilizzato per piallatura stazionaria.

Il prodotto deve essere utilizzato solo in zone ben ventilate.

Il prodotto è destinato esclusivamente all'uso da parte del consumatore. Non utilizzare il prodotto in modi diversi da quelli indicati.

## ⚠ AVVERTENZE

**Leggere attentamente tutte le avvertenze, le istruzioni e le specifiche fornite con l'apparecchio e fare riferimento alle illustrazioni.** La mancata osservanza delle istruzioni riportate di seguito potrebbe provocare incidenti quali incendi, scosse elettriche e/o gravi lesioni fisiche.

**Conservare tutte le istruzioni e le avvertenze per eventuali riferimenti futuri.**

## ADVERTENCIAS DE SEGURIDAD DE LA CEPILLADORA

- **Attendere che la lama si sia fermata prima di poggiare l'utensile.** Una lama rotante scoperta potrà rimanere bloccata nella superficie da levigare, causando perdita di controllo e gravi lesioni.
- **Utilizzare morsetti o altri pratici sistemi per ancorare il pezzo sul quale si sta lavorando a una superficie stabile.** Reggere il pezzo sul quale si sta lavorando con le mani o poggiarlo contro il corpo lo renderà instabile e ciò potrà causare una perdita di controllo dell'utensile.

## NORME DI SICUREZZA ADDIZIONALI

- Reggere l'utensile dalle superfici in gomma isolate. Tagliare un cavo "vivo" potrebbe esporre le parti in metallo dell'utensile e causare all'operatore una scossa elettrica.
- La polvere provocata durante la lavorazione con questo utensile può essere dannosa alla salute. Non inalare la polvere. Usare un sistema d'aspirazione polvere e indossare una maschera di protezione dalla polvere. Rimuovere completamente la polvere che si è depositata sulle superfici con un aspirapolvere.
- Non rimuovere schegge o segatura mentre l'utensile è in funzione.
- Piallare solo con lame affilate, evitare metalli (chiodi, viti). Controllare il pezzo sul quale si sta lavorando prima di procedere con le operazioni di levigatura.
- Non protendersi fino all'area di pericolo dell'utensile quando quest'ultimo è collegato all'alimentazione.

- Posizionare la piastra anteriore della macchina sul pezzo da lavorare e accendere la pialla prima che la lama tocchi il pezzo. Quindi, guidarla uniformemente sul pezzo.

- La tacca a V davanti alla piastra di supporto permette di smussare i bordi in sicurezza.

**Note:** La protezione dalla rotazione ad apertura automatica dev'essere sollevata solo dal pezzo da lavorare o con la leva.

**Note:** Non infilare le dita nel condotto della polvere, per evitare di ferirle con le lame rotanti.

- Arrestare il prodotto, accertarsi che le lame si siano fermate completamente e rimuovere la batteria prima di:
  - rimuovere un inceppamento o un'ostruzione
  - verificare, pulire o lavorare sul prodotto.
- Utilizzare il dispositivo di raccolta o collegare un aspiratore per l'estrazione della polvere quando si mette in funzione il prodotto.
- L'intervallo della temperatura ambiente per l'utensile durante l'azionamento rientra tra 0° C e 40° C.
- L'intervallo della temperatura ambiente per la conservazione dell'utensile rientra tra 0° C e 40° C.
- L'intervallo della temperatura ambiente raccomandato per il sistema di carica durante la carica rientra tra 10° C e 38° C.

## AVVERTENZE AGGIUNTIVE PER LA SICUREZZA DELLA BATTERIA

### ⚠ AVVERTENZE

Per ridurre il rischio d'incendio, di lesioni o di danni al prodotto causati da corto circuito, non immergere mai l'utensile, la batteria ricaricabile o il carica batterie in un liquido e non lasciare mai penetrare alcun liquido all'interno dei dispositivi e delle batterie. I fluidi corrosivi o conduttori come acqua salata, alcuni agenti chimici, agenti candegianti o prodotti contenenti agenti candegianti potrebbero provocare un corto circuito.

- L'intervallo della temperatura ambiente per la batteria durante l'utilizzo rientra tra 0° C e 40° C.
- L'intervallo della temperatura ambiente per la conservazione della batteria rientra tra 0° C e 20° C.

## TRASPORTARE BATTERIE AL LITIO

Trasportare la batteria secondo quanto indicato dalle norme e regolamentazioni locali e nazionali.

Seguire tutte le istruzioni speciali riportate sulla scatola e sull'etichetta quando si fanno trasportare batterie da eventuali terzi. Assicurarsi che le batterie non entrino in contatto con altre batterie o materiali conduttivi durante il trasporto proteggendo i connettori esposti con tappi isolanti, non conduttivi o nastro adesivo. Non trasportare batterie rotte o che perdono liquidi. Rivolgersi alla ditta distributrice per ulteriori consigli.

**RISCHI RESIDUI**

Anche quando il prodotto viene utilizzato come indicato, sarà ancora impossibile eliminare completamente alcuni fattori di rischio residuo. Si potranno verificare i seguenti rischi e l'operatore dovrà prestare particolare attenzione per evitare quanto segue:

- Lesioni causate dalla polvere
  - Utilizzare il prodotto produrrà una considerevole quantità di polvere e piccole particelle. Utilizzare il dispositivo di raccolta o collegare un aspiratore per l'estrazione della polvere quando si mette in funzione il prodotto. Indossare maschere per la polvere con filtri adeguati ai materiali sui quali si sta lavorando. Assicurarsi una adeguata ventilazione del luogo di lavoro. Non mangiare, bere, né fumare nell'area di lavoro. Utilizzare solo sui materiali che sono specificati nella sezione dell'uso previsto. Non mettere in funzione su materiali (per esempio amianto) che rappresentano un rischio per la salute.
- lesioni causate da rumore e vibrazioni
  - Indossare dispositivi di protezione oculare durante il funzionamento. Non mettere in funzione il prodotto per lunghi periodi di tempo. Vedere "Riduzione Rischio".

**RIDUZIONE DEL RISCHIO**

E' stato fatto presente che le vibrazioni da utensili a mano potrebbero contribuire a una condizione chiamata Sindrome di Raynaud in alcuni individui. I sintomi, comprendenti formicolio, intorpidimento e perdita di colore alle dita, si verificano di solito quando ci si espone al freddo. Fattori ereditari, esposizione a freddo e umidità, una dieta scorretta, fumo e condizioni di lavoro non sicure potranno contribuire allo sviluppo di questi sintomi. È possibile prendere delle precauzioni per ridurre le vibrazioni:

- Tenere il corpo al caldo a basse temperature. Quando si utilizza l'utensile, indossare guanti e tenere le mani e i polsi caldi. Le basse temperature contribuiscono a causare la Sindrome di Raynaud.
- Dopo aver utilizzato l'utensile per un certo periodo, fare degli esercizi per stimolare la circolazione del sangue.
- Fare spesso delle pause. Limitare la quantità di esposizione giornaliera.

Nel caso in cui si provino i sintomi di questa condizione, interrompere immediatamente l'utilizzo dell'utensile e consultare un dottore.

**⚠ AVVERTENZE**

L'utilizzo prolungato dell'utensile potrà causare o aggravare lesioni già esistenti. Quando si utilizza questo utensile per periodi di tempo prolungati, assicurarsi di fare sempre delle pause regolari.

**FAMILIARIZZARE CON IL PRODOTTO**

- Vedere a pagina 90.
1. Paralama caricato a molla
  2. Ugello di aspirazione
  3. Manopola direzione flusso della polvere

4. Pulsante di sblocco del grilletto
5. Grilletto
6. Manopola di regolazione della profondità
7. Contrassegno direzione flusso della polvere
8. Scala di profondità
9. Porta batterie
10. Lama
11. Cavalletto
12. Chiave di servizio
13. Adattatore sacchetto raccogli polvere
14. Sacchetto per la polvere
15. Adattatore per aspirazione
16. Manopola della guida laterale
17. Guida laterale

**FUNZIONAMENTO**

**USO DEL CONDOTTO DELLA POLVERE**

**Con un aspirapolvere**

Per assicurare la massima aspirazione collegare il condotto della polvere a un sistema di aspirazione.

A qualsiasi lato del condotto della polvere si può collegare un adattatore per aspirapolvere.

- Collegare l'adattatore a un aspirapolvere.
- Usare un aspirapolvere idoneo al materiale in lavorazione.
- Quando si aspira della polvere secca che sia nociva per la salute o cancerogena usare un aspirapolvere speciale.

**Con un sacchetto per la polvere**

Per i lavori più piccoli usare il sacchetto per la polvere.

- Inserire il sacchetto nel condotto della polvere.
- Per mantenere ottimale l'aspirazione della polvere svuotare il sacchetto regolarmente.

Periodicamente rimuovere la batteria e pulire il condotto della polvere. Usando un utensile idoneo rimuovere eventuali oggetti che causino ostruzione.

**NOTE:** Non infilare le dita nel condotto della polvere, per evitare di ferirle con le parti rotanti.

**MANUTENZIONE**

**⚠ AVVERTENZE**

Questo prodotto non dovrà mai essere collegato all'alimentazione mentre si montano le sue parti, svolgono regolazioni, operazioni di pulizia e manutenzione o quando il prodotto non viene utilizzato. Scollegando il prodotto dall'alimentazione se ne previene l'avviamento accidentale che potrebbe causare lesioni gravi.

**⚠ AVVERTENZE**

Durante le operazioni di manutenzione, utilizzare solo le parti di ricambio, gli accessori e le parti di collegamento della ditta produttrice originale. Utilizzare parti di ricambio diverse potrebbe causare rischi o danneggiare il prodotto.

- Evitare di utilizzare solventi quando si puliscono le parti in plastica. La maggior parte dei materiali plastici rischia di essere danneggiata dall'uso dei solventi disponibili in commercio. Utilizzare un panno pulito per rimuovere lo sporco, la polvere, ecc.

#### ⚠ AVVERTENZE

Non lasciare che liquidi per freni, benzina, prodotti a base di petrolio, oli penetranti, ecc, entrino in contatto con le parti in plastica. Le sostanze chimiche potranno danneggiare, indebolire o distruggere la plastica, il che potrà risultare in gravi lesioni personali.

#### ⚠ AVVERTENZE

Per maggiore sicurezza e affidabilità, tutte le riparazioni dovranno essere svolte da un centro servizi autorizzato.

- Indossare sempre occhiali di sicurezza o occhiali di sicurezza con schermi laterali durante le operazioni con l'elettro utensile o quando si aspira della polvere. Nel caso in cui si preveda che le operazioni di lavoro causeranno polvere, indossare sempre una maschera anti-polvere.
- Sostituire le lame consumate con nuove lame.
- La lama presenta dei bordi affilati e dopo le operazioni di taglio può rimanere calda. Usare estrema cautela durante la pulizia di una lama esposta. Indossare dei guanti per evitare lesioni.

#### LUBRIFICAZIONE

Tutti i cuscinetti in questo prodotto sono stati lubrificati con una quantità di lubrificante ad alto indice di viscosità per tutta la durata del prodotto nelle normali condizioni di funzionamento. Di conseguenza, non è necessario effettuare alcuna lubrificazione supplementare.

#### TUTELA DELL'AMBIENTE



Riciclare le materie prime anziché gettarle tra i rifiuti domestici. Per tutelare l'ambiente, l'apparecchio, gli accessori e gli imballaggi devono essere smaltiti separatamente.

#### SIMBOLI SUL PRODOTTO



Indicazioni sicurezza



Velocità a vuoto



Volt



Corrente diretta



Leggere attentamente le istruzioni prima di avviare l'utensile.



Conformità CE



Marchio di conformità EurAsian



Marchio di conformità ucraino



Capacità massima di piallatura



Capacità massima di piallatura



Indossare occhiali di protezione



I prodotti elettrici non devono essere smaltiti con i rifiuti domestici. Vi sono strutture per smaltire tali prodotti. Informarsi presso il proprio Comune o rivenditore di sicurezza per smaltire adeguatamente tali rifiuti.

#### SIMBOLI NEL MANUALE



Note



Parti o accessori venduti separatamente



Sblocco



Blocco

I seguenti simboli indicano i livelli di rischio associati a questo prodotto.

#### ⚠ PERICOLO

Indica una situazione immediatamente pericolosa che, se non evitata, potrà causare gravi lesioni o morte.

#### ⚠ AVVERTENZE

Indica una situazione potenzialmente pericolosa che, se non evitata potrà causare gravi lesioni o morte.

#### ⚠ ATTENZIONE

Indica una situazione potenzialmente pericolosa che, se non evitata, potrà causare lesioni minori o moderate.

#### ATTENZIONE

(Senza simbolo di allarme in materia di sicurezza) Indica una situazione che può provocare danni materiali.

Veiligheid, prestaties en betrouwbaarheid kregen topprioriteit in het ontwerp van uw schaafmachine.

### BEOOGD GEBRUIK

De schaafmachine is alleen bedoeld voor gebruik door volwassenen die de instructies en waarschuwingen in deze handleiding hebben gelezen en begrepen en die als verantwoordelijk voor hun daden kunnen worden beschouwd.

Het product is uitsluitend geschikt voor het schaven van hout (het verwijderen van een gelijkmatige laag om een effen, gladde afwerking te verkrijgen) en het restaureren van hout.

Het product is niet geschikt om stationair te schaven.

Het product mag uitsluitend in goed geventileerde ruimtes worden gebruikt.

Het product is alleen bedoeld voor consumenten. Gebruik het product niet voor andere doeleinden dan waarvoor het is bestemd.

### ⚠ WAARSCHUWING

**Lees aandachtig alle waarschuwingen, aanwijzingen en specificaties die bij deze machine worden meegeleverd en bestudeer de afbeeldingen.** Als u onderstaande voorschriften niet opvolgt, kan dit leiden tot ongelukken zoals brand, elektrische schokken en/of ernstig lichamelijk letsel.

**Bewaar alle waarschuwingen en instructies voor toekomstig gebruik.**

### VEILIGHEIDSWAARSCHUWING VAN DE SCHAAFMACHINE

- **Wacht tot de snijmachine is stilgevallen vooraleer u het toestel neerzet.** Een blootgestelde roterende maaier kan het oppervlak raken, waardoor u de controle kunt verliezen en ernstig verwond kunt raken.
- **Gebruik klemmen of andere praktische manieren om het werkstuk aan een stabiel platform vast te maken en te ondersteunen.** Als u het werktuig met de hand of tegen het lichaam vasthoudt, blijft het onstabiel en kunt u de controle verliezen.

### BIJKOMEINDE VEILIGHEIDSVORSCHRIFTEN

- Houd het werktuig uitsluitend aan de geïsoleerde handvatten. Wanneer een spanningvoerende leiding wordt doorgesneden, kunnen metalen delen van het gereedschap onder stroom komen te staan en de gebruiker derhalve een elektrische schok geven.
- Stof dat vrijkomt tijdens het werken vormt vaak een gevaar voor de gezondheid. Stof niet inademen. Machines met stofafzuiging gebruiken en tevens geschikte stofmaskers dragen. Verwijder de neergeslagen stof zorgvuldig, bijv. met een stofzuiger.
- Verwijder geen splinters of zaagsel terwijl het werktuig draait.
- Schaaft uitsluitend met scherpe maaibladeren, vermijd metalen voorwerpen (nagels, schroeven). Controleer

het werkstuk voor u begint te schaven.

- Reik niet in het gevarenbereik van het werktuig als het met de stroom is verbonden.
- Plaats het voorste blad van de machine op het te bewerken stuk hout en schakel de machine in voordat het blad het hout raakt. Beweeg het blad dan gelijkmatig over het hout.
- De v-vormige groef aan de voorzijde van het ondersteuningsblad zorgt voor een veilige afschuining van de randen.

**Opmerking:** De beweegbare beveiliging mag alleen omhooggeduwd worden met het hout of met behulp van de hendel.

**Opmerking:** Steek uw vingers niet in de stofopening. U kunt ze verwonden door de draaiende beitels.

- Stop de machine, wacht tot de beitelas volledig tot stilstand komt en verwijder de accu voordat u:
  - een blokkade of verstopping verwijdert
  - het product controleert, reinigt of onderhoudt
- Gebruik de stofopvanginrichting of verbindt een stofzuiger aan de machine wanneer u het gebruikt.
- Toegestane omgevingstemperatuur voor het gereedschap tijdens gebruik ligt tussen 0°C en 40°C.
- Toegestane omgevingstemperatuur voor het gereedschap bij opslag ligt tussen 0°C en 40°C.
- De aanbevolen omgevingstemperatuur voor het laadsysteem tijdens het laden ligt tussen 10°C en 38°C.

### EXTRA WAARSCHUWINGEN BATTERIJVEILIGHEID

#### ⚠ WAARSCHUWING

Voorkom brand, persoonlijk letsel of materiële schade door kortsluiting en dompel het gereedschap, de wisselaccu en het laadtoestel niet onder in vloeistoffen en waarborg dat geen vloeistoffen in de apparaten en accu's kunnen dringen. Corrosieve of geleidende vloeistoffen zoals zout water, bepaalde chemicaliën, bleekmiddelen of producten die bleekmiddelen bevatten, kunnen een kortsluiting veroorzaken.

- Toegestane omgevingstemperatuur voor de accu tijdens gebruik ligt tussen 0°C en 40°C.
- Toegestane omgevingstemperatuur voor opslag van de accu ligt tussen 0°C en 20°C.

### VERVOEREN VAN LITHIUM BATTERIJEN

Vervoer de accu in overeenstemming met de plaatselijke en nationale voorzieningen en regelgevingen.

Volg alle speciale vereisten op de verpakking en etiketten bij het vervoeren van batterijen door een derde partij. Zorg dat de batterijen tijdens het vervoer niet in contact komen met andere batterijen of geleidende materialen door de blootliggende aansluitpunten te beschermen met een isolerende, niet-geleidende dop of tape. Geen gekraakte of lekkende accu's vervoeren. Controleer bij het doorsturende bedrijf voor verder advies.

## RESTRISICO'S

Zelfs wanneer het product zoals voorgeschreven wordt gebruikt, blijft het onmogelijk om alle restrisico's te voorkomen. De volgende gevaren kunnen optreden bij gebruik en de gebruiker dient speciaal op te letten om het volgende te voorkomen:

- Verwonding veroorzaakt door stof
  - Het gebruik van het product veroorzaakt grote hoeveelheden stof en fijne deeltjes. Gebruik de stofopvanginrichting of verbindt een stofzuiger aan de machine wanneer u het gebruikt. Draag stofmaskers met filters die geschikt zijn voor met materiaal waarin wordt gewerkt. Zorg voor voldoende ventilatie op de werkplaats. Eten, drinken of roken verboden in het werkgebied. Gebruik het apparaat alleen op materialen die staan aangegeven onder het kopje 'Beoogd gebruik'. Niet gebruiken op materialen (zoals asbest) die gevaarlijk zijn voor de gezondheid.
- Verwondingen veroorzaakt door geluid en trilling
  - Gebruik gehoorbescherming tijdens gebruik. Gebruik dit product niet voor een lange periode. Zie "Risico's Beperken".

## RISICOBEPERKING

Vibraties van handgereedschap kan in bepaalde individuele gevallen leiden tot het syndroom van Raynaud. Symptomen kunnen ondermeer tintelingen, gevoelloosheid en bleek worden van de vingers omvatten, wat normaal gezien duidelijk wordt bij blootstelling aan koude. Erfelijke factoren, blootstelling aan koude en vocht, dieet, roken en werkrouetine kunnen allemaal bijdragen tot de ontwikkeling van deze symptomen. Er kunnen door de bediener maatregelen worden genomen om de gevolgen van de trillingen te beperken:

- Houd bij koud weer uw lichaam warm. Draag handschoenen wanneer u de machine gebruikt om handen en polsen warm te houden. Men neemt aan dat koud weer een belangrijke factor is die bijdraagt tot het Syndroom van Raynaud.
- Doe oefeningen om de bloeddorstroming te bevorderen na elke periode van gebruik.
- Neem regelmatig een pauze. Beperk het aantal uren dat u per dag wordt blootgesteld.

Wanneer u enige van de symptomen van deze aandoening ervaart, stop dan onmiddellijk met het gebruik van het toestel en raadpleeg uw dokter

### ⚠ WAARSCHUWING

Letsels kunnen optreden of verergeren door langdurig gebruik van een gereedschap. Als u een werktuig gedurende langere periodes gebruikt, neem dan regelmatig pauze.

## KEN UW PRODUCT

Zie pagina 90.

1. Verende beitelasbeveiliging

2. Afzuigmondstuk
3. Knop voor richting van stofstroom
4. Ontgrendelknop van de drukschakelaar
5. Hendel
6. Knop voor diepte-afstelling
7. Markering voor richting van stofstroom
8. Schaalverdeling
9. Accupoort
10. Zaagblad
11. Standaard
12. Speciale sleutel
13. Adaptor voor stofzak
14. Stofzak
15. Afzuigadapter
16. Knop voor zijhek
17. Zijhek

## BEDIENING

### GEBRUIK VAN DE STOFPOORT

#### Gebruik een stofzuiger

Sluit voor optimale extractie de stofpoort aan op een afzuiginstallatie.

Er kan aan beide zijden van de stofpoort een vacuümadapter worden aangesloten

- Sluit de vacuümadapter aan op een stofzuiger.
- Gebruik een stofzuiger die geschikt is voor het te bewerken materiaal.
- Gebruik een speciale stofzuiger tijdens het stofzuigen van droog stof dat schadelijk voor de gezondheid of kankerverwekkend is.

#### Gebruik van de stofzak

Gebruik de stofzak voor kleinere taken.

- Breng de adapter van de stofzak aan in de stofpoort.
- Voor optimale stofafzuiging de stofzak regelmatig legen.

Verwijder de accu en reinig de stofpoort regelmatig.

Verwijder eventuele verstoppingen met een hiervoor geschikt gereedschap.

**OPMERKING:** Steek uw vingers niet in de stofpoort. Roterende onderdelen kunnen resulteren in letsel.

## ONDERHOUD

### ⚠ WAARSCHUWING

Het product mag nooit worden aangesloten op de netvoeding bij het aansluiten van onderdelen, maken van afstellingen, schoonmaken, uitvoeren van onderhoud of als het product niet wordt gebruikt. Door het product los te koppelen van de stroomtoevoer voorkomt u incidenteel opstarten, wat ernstig letsel kan veroorzaken.

### ⚠ WAARSCHUWING

Gebruik bij het onderhoud uitsluitend de originele reserveonderdelen, accessoires en bijzetstukken van de fabrikant. Gebruik van niet originele onderdelen kan gevaar opleveren of schade aan de machine veroorzaken.

- Voorkom het gebruik van oplosmiddelen wanneer u kunststof onderdelen reinigt. De meeste kunststoffen kunnen worden beschadigd door de in de handel zijnde oplosmiddelen. Gebruik een schone doek om vuil of stof te verwijderen.

### ⚠ WAARSCHUWING

Remvloeistof, benzine, producten op basis van petroleum, kruipolie, enz mogen nooit in contact komen met kunststof onderdelen. Chemicaliën kunnen kunststof beschadigen, verzwakken of verwoesten, wat kan leiden tot ernstig letsel.

### ⚠ WAARSCHUWING

Alle reparaties moeten worden uitgevoerd door een Erkend Servicecentrum teneinde de veilige en betrouwbare werking van de machine te garanderen.

- Draag altijd een veiligheidsbril of gezichtsbescherming met zijdelingse bescherming terwijl u het werktuig gebruikt of wanneer u stof blaast. Als het werk stof veroorzaakt, draag dan ook een stofmasker.
- Vervang versleten zaagbladen door nieuwe.
- De beitelas heeft scherpe randen en kan ook heet blijven na schaaftbewerkingen. Wees zeer voorzichtig bij het reinigen van een blootgelegde beitelas. Draag handschoenen om u te beschermen tegen verwonding.

### SMERING

Alle lagers in het product zijn gesmeerd met voldoende kwalitatief smeermiddel voor de gehele levensduur van het product bij normale gebruiksomstandigheden. Extra smering is daarom niet noodzakelijk.

### MILIEUBESCHERMING



Zorg dat grondstoffen worden gerecycleerd in plaats van weggegooid als afval. Om het milieu te beschermen moeten de machine, de accessoires en de verpakking gesorteerd bij een erkend recyclingcentrum worden aangeleverd.

### SYMBOLEN OP HET PRODUCT



Veiligheidswaarschuwing

$n_o$

Onbelast toerental

V Volt



Gelijkstroom



Lees de instructies zorgvuldig voordat u de machine in gebruik neemt.



EG conformiteit



EurAsian-symbool van overeenstemming



Oekraïens conformiteitsymbool



Maximale schaaftcapaciteit



Maximale schaaftcapaciteit



Draag gezichtsbescherming



Elektrisch afval mag niet samen met ander huishoudafval worden weggegooid. Gelieve te recycleren indien de mogelijkheid bestaat. Neem contact op met uw gemeente of handelaar om advies te krijgen over recyclage.

### SYMBOLEN IN DE GEBRUIKSAANWIJZING



Opmerking



Onderdelen of accessoires afzonderlijk gekocht



Ontgrendeling



Vergrendeling

De volgende kernwoorden en verklaringen zijn bedoeld om de gevaarniveaus die op dit toestel betrekking hebben, te verklaren.

### ⚠ GEVAAR

Wijst op een gevaarlijke situatie die, indien ze niet wordt vermeden, kan leiden tot ernstige verwondingen of de dood.



**⚠ WAARSCHUWING**

Wijst op een mogelijk gevaarlijke situatie die, indien ze niet wordt vermeden, kan leiden tot ernstige verwondingen of de dood.

**⚠ LET OP**

Wijst op een mogelijk gevaarlijke situatie die, indien ze niet wordt vermeden, kan leiden tot lichte of middelmatige verwondingen.

**LET OP**

(Zonder veiligheidssymbool) Geeft een situatie aan die materiële schade zou kunnen veroorzaken.



Segurança, desempenho e fiabilidade foram as prioridades na conceção da sua plaina.

### UTILIZAÇÃO PREVISTA

A plaina destina-se a ser utilizada apenas por adultos que tenham lido e compreendido as instruções e os avisos neste Manual e que possam ser considerados responsáveis pelas suas ações.

O produto destina-se apenas a aplainar madeira (remoção numa camada uniforme para fornecer um acabamento liso e suave) e rebater madeira.

O produto não foi concebido para utilizar em aplainamentos fixos.

O produto apenas deve ser utilizado em áreas bem ventiladas.

O produto destina-se apenas a uma utilização na ótica do consumidor. Utilize o produto exclusivamente para o uso para o qual foi concebido.

### ⚠ AVISO

**Leia com atenção todas as advertências, instruções e especificações fornecidas com a ferramenta, e consulte as ilustrações.** O incumprimento das instruções seguintes pode ocasionar acidentes como incêndios, choques eléctricos e/ou ferimentos graves.

Guarde todos os avisos e instruções para futuras consultas.

### AVISOS DE SEGURANÇA DA DESENGROSSADEIRA

- **Aguarde que o cortador pare antes de pousar a ferramenta.** Um cortador giratório exposto poderia entrar em contacto com a superfície e provocar uma perda de controlo e lesões graves.
- **Use tornos ou outros métodos práticos para assegurar e fixar a peça de trabalho sobre uma plataforma estável.** Se segurar a peça com a mão ou a apoiar contra o corpo pode ficar instável, o que pode fazer perder o controlo.

### NORMAS DE SEGURANÇA ADICIONAIS

- Segure a ferramenta apenas pelas zonas de agarramento isoladas. Ao cortar um cabo com corrente, as peças metálicas da ferramenta conectada podem ficar expostas, o que poderia provocar um choque eléctrico para o operador.
- A poeira gerada ao utilizar esta ferramenta pode ser perigosa para a saúde. Não inale o pó. Utilize um sistema de absorção de poeiras e use uma máscara de protecção. Retire minuciosamente o pó depositado, por exemplo, com um aspirador.
- Não retire as esquirolas ou o serrim quando a ferramenta estiver em funcionamento.
- Apenas aplaine com lâminas afiadas, evite metais (pregos, parafusos). Verifique a peça de trabalho antes de aplainar.
- Não introduza a mão na zona perigosa da ferramenta

quando estiver ligada à corrente.

- Posicione a placa frontal da máquina pronta a aplicar na peça de trabalho e ligue a máquina antes de chegar a tocar na peça de trabalho com a lâmina da plaina e, em seguida, guie a máquina uniformemente sobre a peça de trabalho.
- O entalhe em forma de V na frente da placa de apoio garante que a chanfragem de rebordos seja feita em segurança.

**Nota:** A guarda oscilante de abertura automática só deve ser levantada pela peça de trabalho ou pelo manípulo.

**Nota:** Não meta os dedos dentro do coletor de poeiras. As lâminas rotativas podem causar ferimentos.

- Desligue o produto, certifique-se de que a lâmina parou completamente e desmonte a bateria antes de fazer o seguinte:
  - Desobstruir bloqueios ou desentupir
  - Fazer verificações, limpeza ou manutenção ao produto
- Use o dispositivo de recolha de pó ou conecte um aspirador para extração de pó ao utilizar o produto.
- A amplitude de temperatura ambiente para a ferramenta durante o funcionamento é entre 0 °C e 40 °C.
- A amplitude de temperatura ambiente para a ferramenta em armazenamento é entre 0 °C e 40 °C.
- A amplitude de temperatura ambiente recomendada para o sistema de carregamento durante o carregamento é entre 10 °C e 38 °C.

### AVISOS DE SEGURANÇA ADICIONAIS DAS BATERIAS

### ⚠ AVISO

Para evitar o risco de incêndio, de feridas ou de danificação do produto causado por um curto-circuito, não imerja a bateria intercambiável ou o carregador em líquidos e assegure-se de que líquidos não penetrem nos aparelhos ou nas baterias. Líquidos corrosivos ou condutivos como água salgada, determinadas substâncias químicas ou produtos que contenham branqueadores podem causar um curto-circuito.

- A amplitude de temperatura ambiente para a bateria durante a utilização é entre 0 °C e 40 °C.
- A amplitude de temperatura ambiente para a bateria em armazenamento é entre 0 °C e 20 °C.

### TRANSPORTE DE BATERIAS DE LÍTIU

Transporte a bateria em conformidade com as disposições e os regulamentos locais e nacionais.

Respeite os requisitos especiais que existam na embalagem e a etiquetagem durante o transporte de baterias por terceiros. Assegure-se que não há risco de uma bateria entrar em contacto com outra bateria nem com materiais condutores durante o transporte, protegendo os conectores expostos com tampas ou fita isoladoras e não condutoras. Não transporte baterias com fissuras ou fugas. Contacte a empresa transitária para mais aconselhamento.

## RISCOS RESIDUAIS

Mesmo quando se utiliza o produto segundo as instruções, continua a ser impossível eliminar por completo certos fatores de risco residuais. Podem surgir os seguintes riscos durante o uso e o operador deve prestar especial atenção para evitar o seguinte:

- Prejuízo causado pela poeira
  - O uso do produto produzirá uma quantidade considerável de pó e partículas. Use o dispositivo de recolha de pó ou conecte um aspirador para extração de pó ao utilizar o produto. Utilize máscaras com filtros adequados para os materiais com que estiver a trabalhar. Assegure uma ventilação adequada do local de trabalho. Não coma, beba ou fume na área de trabalho. Utilizar apenas nos materiais especificados na secção Utilização prevista. Não utilizar sobre materiais que possam implicar um risco para a saúde (por exemplo, amianto).
- Lesões causadas pelo ruído e a vibração
  - Use proteção para os ouvidos durante a utilização. Não utilize o produto durante longos períodos de tempo. Consulte o ponto "Redução De Riscos".

## REDUÇÃO DO RISCO

Informou-se que as vibrações das ferramentas manuais podem contribuir para uma doença chamada síndrome de Raynaud em certos indivíduos. Os sintomas podem incluir formigamento, entorpecimento e empalidecimento dos dedos, habitualmente visível aquando da exposição ao frio. Estima-se que os factores hereditários, exposição ao frio e humidade, dieta, tabagismo e práticas de trabalho contribuem todos para o desenvolvimento destes sintomas. Existem medidas que podem ser tomadas pelo operador para possivelmente reduzir os efeitos da vibração:

- Mantenha o seu corpo quente durante o tempo frio. Ao operar a unidade, use luvas para manter as mãos e os pulsos quentes. Encontra-se reportado que o tempo frio é um grande factor que contribui para o Síndrome de Raynaud.
- Após cada período de operação, exercite para aumentar a circulação sanguínea.
- Faça pausas frequentes no trabalho. Limite o tempo de exposição por dia.

Caso sinta algum dos sintomas desta doença, interrompa de imediato a sua utilização e consulte o seu médico sobre estes sintomas.

### ⚠ AVISO

As lesões podem ser causadas ou agravadas pelo uso prolongado de uma ferramenta. Ao usar qualquer ferramenta durante períodos prolongados, assegure-se que faz intervalos regulares.

## CONHEÇA O SEU PRODUTO

Consulte a página 90.

1. Guarda da lâmina com mola

2. Bico de aspiração
3. Maçaneta da direcção do fluxo de poeiras
4. Botão de desbloqueio do gatilho
5. Gatilho
6. Maçaneta de ajuste de profundidade
7. Marca da direcção do fluxo de poeiras
8. Escala de profundidade
9. Orifício da bateria
10. Lâmina
11. Descanso
12. Chave de serviço
13. Adaptador do saco de poeiras
14. Saco para o pó
15. Adaptador para aspirador
16. Maçaneta da barreira lateral
17. Barreira lateral

## OPERAÇÃO

### UTILIZAR O COLECTOR DE POEIRAS

#### Utilizar um aspirador

Para assegurar a máxima eficiência da extracção de poeiras, ligue o colector de poeiras a um sistema de extracção de poeiras.

Um adaptador de aspirador pode ser montado em qualquer um dos lados do colector de poeiras.

- Ligue o adaptador de aspirador a um aspirador.
- Use um aspirador que seja adequado para o tipo de material a ser trabalhado.
- Use um aspirador especial quando aspirar poeiras secas que sejam prejudiciais para a saúde ou que sejam carcinogéneas.

#### Utilizar o saco de poeiras

Use o saco de poeiras para trabalhos mais pequenos.

- Introduza o adaptador do saco de poeiras no colector de poeiras.
- Para manter a máxima eficiência da recolha de poeiras, esvazie o saco de poeiras com regularidade.

Limpe o colector de poeiras com regularidade, retirando primeiro a bateria. Use uma ferramenta adequada para retirar quaisquer objectos que estejam a entupir o colector.

**NOTA:** Não meta as mãos dentro do colector de poeiras.

As peças rotativas podem causar ferimentos.

## MANUTENÇÃO

### ⚠ AVISO

O produto não deve nunca ligado à corrente eléctrica durante a montagem de peças, a realização de ajustes, limpeza, operações de manutenção ou quando não está em uso. Desligar o produto da fonte de alimentação eléctrica irá impedir o arranque acidental que poderia causar ferimentos graves.

### ⚠ AVISO

Na manutenção utilize apenas peças sobresselentes, acessórios e auxiliares originais do fabricante. O uso de quaisquer outras peças pode criar perigo ou causar danos ao aparelho.

- Evite usar solventes ao limpar as peças de plástico. A maioria dos plásticos pode ser danificada pelos solventes vendidos no comércio. Utilize um pano limpo para remover as sujidades, o pó, etc.

### ⚠ AVISO

Nunca, em qualquer momento, deixe que fluidos de travagem, gasolina, produtos petrolíferos, óleos de perfuração, etc., entrem em contacto com as peças de plástico. Estes produtos químicos contêm substâncias que podem danificar, deteriorar ou destruir o plástico, o que poderia provocar ferimentos graves.

### ⚠ AVISO

Para uma maior segurança e fiabilidade, todas as reparações devem ser realizadas por um centro de assistência autorizado.

- Use sempre óculos de protecção ou óculos de segurança com protecções laterais durante a operação da ferramenta eléctrica ou quando estiver a levantar poeira no ar. Caso a operação seja poeirenta, use também uma máscara contra o pó.
- Mude as lâminas gastas por outras novas.
- A lâmina tem arestas afiadas e pode ficar quente depois de operações de corte. Tenha o máximo cuidado quando limpar uma lâmina exposta. Use luvas para se proteger contra ferimentos.

### LUBRIFICAÇÃO

Todos os rolamentos deste produto estão lubrificados com um montante suficiente de lubrificante de elevado nível, de acordo com a duração de vida do produto em condições normais de funcionamento. Por conseguinte, não requer nenhuma lubrificação suplementar.

### PROTECÇÃO DO AMBIENTE



Recicle os materiais em vez de pô-los directamente no lixo doméstico. Para proteger o ambiente, a ferramenta, os acessórios e as embalagens devem ser seleccionados.

### SÍMBOLOS NO PRODUTO



Alerta de segurança

$n_0$

Velocidade em vazio

V Volts



Corrente directa



Agradecemos que leia atentamente as instruções antes de iniciar a máquina.



Conformidade CE



Marca de conformidade EurAsian



Marca de conformidade ucraniana



Capacidade máxima de aplainamento



Capacidade máxima de aplainamento



Use protecção para os olhos



Os aparelhos eléctricos antigos não devem ser eliminados juntamente com o lixo doméstico. Recicle onde existem instalações para o efeito. Verifique com as suas Autoridades Locais ou revendedor para obter informações sobre reciclagem.

### SÍMBOLOS NESTE MANUAL



Nota



As peças ou acessórios vendem-se separadamente



Abrir



Bloqueio

As seguintes palavras de sinal e significados destinam-se a explicar os níveis de risco associados a este produto.

### ⚠ PERIGO

Indica uma situação de perigo iminente, a qual, se não for evitada, pode resultar em morte ou ferimentos graves.

### ⚠ AVISO

Indica uma situação potencialmente perigosa que, se não for evitada, pode resultar em morte ou ferimentos graves.

**CAUTELA**

Indica uma situação potencialmente perigosa que, se não for evitada, pode resultar em ferimentos leves ou moderados.

**CAUTELA**

(Sem símbolo de segurança) Indica uma situação que pode provocar danos materiais.



Sikkerhed, ydelse og driftssikkerhed har fået topprioritet i designet af din høvl.

### TILTÆNK ANVENDELSESFORMÅL

Denne høvl er kun beregnet til at blive anvendt af voksne personer, der har læst og forstået instruktionerne og advarslerne i denne brugsvejledning, og som kan betragtes som værende ansvarlige for deres handlinger.

Produktet er kun beregnet til høvling af træ (dvs. fjernelse af et jævnt lag for at give en jævn, plan overflade) samt falsning træ.

Produktet er ikke beregnet til stationær høvling.

Produktet må kun benyttes i godt ventilerede områder.

Produktet er kun beregnet til hjemmebrug. Produktet må kun bruges til de formål, der er angivet under formålsbestemt/korrekt brug.

### ⚠ ADVARSEL

**Læs alle omhyggeligt alle advarsler, anvisninger og specifikationer, som følger med maskinen, og studer illustrationerne.** Hvis nedenstående forskrifter ikke overholdes, kan der ske uheld og ulykker som brand, elektrisk stød og/eller alvorlige personskader.

Gem alle advarsler og brugsanvisninger til senere brug.

### SIKKERHEDSADVARSLER OM HØVL

- **Vent til klingens stopper, inden du sætter værktøjet ned.** En ubeskyttet roterende klinge kan kollideres med overfladen, hvilket kan medføre tab af kontrol og alvorlige personskader.
- **Brug skruestik eller lignende til at fastgøre og understøtte emnet til en stabil overflade.** Holdes emnet i hænderne eller ind mod kroppen, bliver det ustabil, og man risikerer at miste kontrollen.

### EKSTRA SIKKERHEDSREGLER

- Værktøjet må kun holdes i de isolerede gribeblader. Hvis der skæres i en strømførende ledning, bliver udsatte metaldele af elværktøjet strømførende og kan give brugeren elektrisk stød.
- Støv, som opstår i forbindelse med brug af dette værktøj, kan være sundhedsfarligt. Undgå at indånde støvet. Brug en støvsuger og bær egnet støvbeskyttelsesmaske. Fjern aflejret støv omhyggeligt, fx med en støvsuger.
- Undgå at fjerne splinter eller savsmuld, mens værktøjet kører.
- Der må kun høvles med skarpe klinger; undgå metaldele (søm, skruer). Kontrollér emnet, inden det høvles.
- Undgå at række hånden ind i værktøjets farezone, når stikket er sat i kontakten.
- Placer maskinens frontplade på emnet og tænd den, før høvlmaskinens blad kommer i kontakt med arbejdsemnet, og før det så jævnt over arbejdsemnet.

- Det V-formede hak i den forreste del af støttepladen garanterer sikker affasning af kanterne.

**Bemærk:** Den selvåbnende drejefafsærmning må kun løftes ved hjælp af enten arbejdsemnet eller håndtaget.

**Bemærk:** Før ikke dine fingre ind i støvposen. De kan blive beskadiget af de roterende klinger.

- Stop produktet og kontroller, at klingens er fuldstændigt standset, samt fjern batteriet i disse situationer:
  - Før du fjerner blokeringer eller renser for fastsiddende materiale
  - Før du kontrollerer, rengør eller arbejder med produktet
- Brug støvopsamlingsenheden, eller tilslut en støvudsugninganordning, når produktet benyttes.
- Omgivelsestemperaturområdet for værktøj under betjening er mellem 0°C og 40°C.
- Omgivelsestemperaturområdet for værktøj under opbevaring er mellem 0°C og 40°C.
- Det anbefalede omgivelsestemperaturområde for ladesystemet under opladning er mellem 10°C og 38°C.

### YDERLIGERE SIKKERHEDSADVARSLER OM BATTERI

#### ⚠ ADVARSEL

For at undgå risiko for brand, kvæstelser eller beskadigelse af produktet forårsaget af kortslutning må værktøjet, batteripakken eller opladeren ikke nedsænkes i vand. Sørg ligeledes for, at der ikke trænger væske ind i enhederne og batterierne. Korroderende eller ledende væsker, f.eks. saltvand, bestemte kemikalier, blegestoffer eller produkter, som indeholder blegestoffer, kan forårsage kortslutning.

- Omgivelsestemperaturområdet for batteri under brug er mellem 0°C og 40°C.
- Omgivelsestemperaturområdet for batteriopbevaring er mellem 0°C og 20°C.

### TRANSPORT AF LITHIUM-BATTERIER

Batteriet skal transporteres i henhold til lokale og nationale forskrifter og love.

Når batterier skal transporteres af tredjepart, skal alle specielle krav til emballering og mærkning efterleves. Man skal sikre sig, at ingen batterier kan komme i kontakt med andre batterier eller ledende materialer under transporten ved at beskytte blottede konnektorer med isolerende, ikke-ledende hætter eller tape. Undlad at transportere batterier med revner eller utætheder. Rådfør dig desuden hos speditøren.

### UUNDGÅELIGE RISICI

Selv om produktet anvendes som foreskrevet, er det stadig umuligt at eliminere visse uundgåelige risikofaktorer fuldstændigt. Følgende risici kan opstå under brug, og operatøren bør være særligt opmærksom for at undgå følgende:

- Personskader forårsaget af støv

EN
FR
DE
ES
IT
NL
PT
DA
SV
FI
NO
RU
PL
CS
HU
RO
LV
LT
ET
HR
SL
SK
BG
UK
TR
EL



- Anvendelse af produktet frembringer betydelige mængder støv og fine partikler. Brug støvopsamlingsenheden, eller tilslut en støvsugninganordning, når produktet benyttes. Benyt støvmasker med filtre, der svarer til det materiale, der arbejdes med. Sørg for tilstrækkelig ventilation på arbejdspladsen. Undlad at spise, drikke eller ryge i arbejdsområdet. Brug kun på materialer angivet i afsnittet om tilsigtet brug. Må ikke bruges på materialer (fx asbest), der udgør en sundhedsrisiko.
- Fare for personskade pga. støj og vibration
  - Brug høreværn under driften. Undlad at benytte produktet i længere perioder ad gangen. Se "Risikoreduktion".

## RISIKOREDUKTION

Der er rapporteret om, at vibrationer fra håndholdte værktøjer kan være medvirkende til en lidelse kaldet Raynauds syndrom hos visse personer. Symptomerne herpå kan være prikken, følelsesløshed og blegning af fingrene, der normalt viser sig ved kuldepåvirkning. Faktorer som arvelighed, udsættelse for kulde og fugt, kost, rygning og arbejdsvaner menes alle at medvirke til udviklingen af disse symptomer. Der findes forholdsregler, som operatøren kan træffe for at begrænse påvirkningen fra vibrationer:

- Hold kroppen varm i koldt vejr. Brug handsker, så hænder og vrister holdes varme under arbejdet. Der er rapporteret om, at koldt vejr er en væsentlig faktor til Raynauds syndrom.
- Motionér efter hver arbejdsperiode for at øge blodcirkulationen.
- Hold hyppige arbejdspauser. Begræns eksponeringen for vibrationer pr. dag.

Hvis du mærker nogen af symptomerne på denne tilstand, skal du straks ophøre med arbejdet og søge læge.

## ⚠ ADVARSEL

Længere tids brug af et værktøj kan forårsage - eller forværre - personskader. Når man bruger et værktøj i længere perioder ad gangen, skal man huske at holde hyppige pauser.

## KEND PRODUKTET

Se side 90.

1. Fjederbelastet klingefaskærmning
2. Sugedyse
3. Støvflow-retningsknap
4. Start-stopknappens oplåsningsknap
5. Udløser
6. Dybdejusteringsknap
7. Støvflow-retningsmærke
8. Dybdeskala
9. Batteriåbning
10. Klinge
11. Støttefod
12. Servicenøgle

13. Støvpose-adapter
14. Støvpose
15. Vakuuadaptter
16. Sidestyrsknap
17. Sidestyr

## BETJENING

### BRUG AF STØVPORT

#### Brug af støvsuger

Slut støvporten til et støvudtagningssystem for at sikre optimal udtagning.

En sugeadapter kan sættes på begge sider af støvporten.

- Slut sugeadapteren til en støvsuger.
- Brug en støvsuger som er egnet til det materiale der bliver bearbejdet.
- Brug en speciel støvsuger ved støvsugning af tørt støv, som er skadelig for helbred eller kræftfremkaldende.

#### Brug af støvposen

Brug støvposen til mindre jobs.

- Indsæt støvposeadapteren i støvporten.
- Tøm støvposen regelmæssigt for at vedligeholde en optimal støvopsamling.

Fjern batteriet, og rengør støvporten regelmæssigt. Fjern tilstopning vha. et egnet redskab.

**BEMÆRK:** Før ikke dine hænder ind i støvporten. De kan blive beskadiget af de roterende dele.

## VEDLIGEHOLDELSE

### ⚠ ADVARSEL

Produktet må aldrig sluttes til en strømforsyning, mens man er i færd med at samle dele, foretage justeringer, rengøre, udføre vedligeholdelsesarbejde, eller når produktet ikke anvendes. Frakobling af produktet fra strømforsyningen vil forhindre utilsigtet start, hvilket kan medføre alvorlig personskade.

### ⚠ ADVARSEL

Ved service Brug kun originale reservedele, ekstraudstyr og tilbehør fra producenten. Brug af alternative dele kan forårsage farlige situationer eller ødelægge produktet.

- Undgå brug af opløsningsmidler til rengøring af plastdele. De fleste plasttyper bliver ødelagt, hvis de renses med almindelige gængse opløsningsmidler. Fjern snavs, støv m.v. med en ren klud.

### ⚠ ADVARSEL

Sørg for, at bremsevæske, benzin, petroleumsbaserede produkter, penetreringsolie, mv., aldrig kommer i kontakt med plastdele. Disse kemiske produkter indeholder stoffer, som kan beskadige, mørne eller ødelægge plastmaterialet, så man risikerer at komme alvorligt til skade.

## ⚠ ADVARSEL

For bedre sikkerhed og pålidelighed skal alt reparationsarbejde udføres på et autoriseret servicecenter.

- Bær altid sikkerhedsbriller med sideskjolde under betjening af elværktøjet eller ved støv-ophvirvling. Hvis der ophvirvles støv under arbejdet, bæres også støvmaske.
- Slidte klinger skal udskiftes med nye.
- Klingen har skarpe kanter og kan være varm efter skærehandlinger. Vær meget forsigtig, når du rengør en eksponeret klinge. Brug handsker for at beskytte dig selv mod skade.

## SMØRING

Alle lejerne i produktet er smurt for produktets levetid under normale driftsbetingelser med en tilstrækkelig mængde højkvalitetssmøremiddel. Det er derfor ikke nødvendigt med yderligere smøring.

## MILJØBESKYTTELSE



Råmaterialerne skal genbruges og ikke bortskaffes som almindeligt affald. Af hensyn til miljøet skal redskab, tilbehør og emballage sorteres.

## SYMBOLER PÅ PRODUKTET



Sikkerhedsadvarsel



Tomgangshastighed



Volt



Direkte strøm



Læs venligst vejledningen grundigt igennem før maskinen tages i brug.



CE-overensstemmelse



EurAsian overensstemmelsesmærke



Ukrainsk overensstemmelsesmærke



Max afhøvlingskapacitet



Max afhøvlingskapacitet



Benyt øjenværn



Elektriske affaldsprodukter bør ikke afskaffes sammen med husholdningsaffald. Genbrug venligst hvor faciliteterne tillader dette. Tjek med din lokale kommune eller forhandler for genbrugsråd.

## SYMBOLER I BRUGSANVISNINGEN



Bemærk



Dele eller tilbehør, der sælges separat



Oplås



Lås

De følgende ikoner og betydninger er beregnet til at forklare risikoen involveret i at anvende denne enhed.

## ⚠ FARE

Indikerer en umiddelbart farlig situation, som - hvis den ikke afværges - vil medføre dødsfald eller alvorlig personskade.

## ⚠ ADVARSEL

Indikerer en potentielt farlig situation, som - hvis den ikke afværges - kan medføre dødsfald eller alvorlig personskade.

## ⚠ VÆR OPMÆRKSOM

Indikerer en potentielt farlig situation, som - hvis den ikke afværges - kan medføre mindre eller middelsvær personskade.

## VÆR OPMÆRKSOM

(Uden sikkerhedssymbol) indikerer en situation som kan føre til skade af personlig ejendom.

Säkerhet, prestanda och pålitlighet har varit högsta prioritet vid design av din planare.

### ANVÄNDNINGSSOMRÅDE

Hyveln är endast avsedd för vuxna användare som har läst och förstått instruktionerna och varningarna i denna manual, och som kan anses vara ansvariga för sina handlingar.

Produkten är enbart avsedd för att plana trä (ta bort ett jämnt lager för att få en mjuk, slät yta) och avdrag av trä.

Produkten är inte avsedd för fast planing.

Produkten bör endast användas i väl ventilerade utrymmen.

Produkten är endast avsedd för konsumentanvändning. Använd inte produkten på något annat sätt än vad som är avsett.

### ⚠ VARNING

Läs uppmärksamt alla varningar, instruktioner och specifikationer som bifogas med detta verktyg och studera bilderna. Underlåtenhet att respektera dessa föreskrifter kan leda till olyckor som brand, elektriska stötar och/eller allvariga kroppsskador.

Behåll dessa varningar och anvisningar för framtida referens.

### SÄKERHETSANVISNINGAR FÖR PLANHYVEL

- Vänta tills klingan har stannat innan du sätter ner maskinen. En oskyddad roterande skärare kan fastna i marken och eventuellt bli utan kontroll och därvid orsaka allvarlig skada.
- Använd klämmor eller något annat sätt för att säkra och stödja arbetsstycket på stabilt underlag. Att hålla arbetsstycket i handen eller mot kroppen gör det instabilt och kan göra att kontrollen förloras.

### EXTRA SÄKERHETSFORESKRIFTER

- Håll verktyget i enbart de isolerade handtagen. Om du skulle skära i en strömförande kabel kan exponerade delar av elverktyget bli strömförande och du kan få en stöt.
- Dammet som uppkommer vid arbeten med det här verktyget kan vara skadligt för hälsan. Andas inte in dammet. Använd ett utsugningssystem och bär skyddsmask. Ta noggrant bort ansamlad damm med exempelvis en dammsugare.
- Ta inte bort stickor eller sågspån när verktyget är igång.
- Plana enbart med vassa blad, undvik metallföremål (spikar, skruvar). Kontrollera arbetsstycket före planing.
- Var inte i den farliga närheten av verktyget när det är inkopplat.
- Placera maskinens frontplatta på arbetsstycket och slå på, före planhyvelns blad vidrör arbetsstycket och arbeta jämnt över arbetsstycket.
- Stödplattans främre v-formade utsparring säkerställer säker avfasning av kanter.

**Notera:** Det självöppnande svivelskyddet bör endast lyftas av arbetsstycket eller med spaken.

**Notera:** Sträck inte dina fingrar in i dammutblåset. De kan

skadas av de roterande bladen.

- Stanna produkten, säkerställ att bladen stannat helt och ta bort batteriet före:
  - Du rensar en blockering eller tilltäppning
  - Du kontrollerar, rengör eller utför arbete på produkten
- Använd dammuppsamlare eller anslut produkter till extern dammsugare.
- Omgivningstemperatur för verktyget vid drift skall ligga mellan 0 °C och 40 °C.
- Omgivningstemperatur för verktyget vid förvaring skall ligga mellan 0 °C och 40 °C.
- Den rekommenderade omgivningstemperaturen vid laddning av systemet skall ligga mellan 10 °C och 38 °C.

### YTTERLIGARE SÄKERHETSVARNINGAR FÖR BATTERIER

### ⚠ VARNING

För att undvika den fara för brand, personskador eller produktskador som orsakas av en kortslutning, doppa inte ner verktyget, utbytesbatteriet eller laddaren i vätskor och se till att ingen vätska kan tränga in i apparaterna eller batterierna. Korroderande eller ledande vätskor, som saltvatten, vissa kemikalier, blekningsmedel eller produkter som innehåller blekmedel, kan orsaka en kortslutning.

- Omgivningstemperatur för batteriet vid drift skall ligga mellan 0 °C och 40 °C.
- Omgivningstemperatur för batteriet vid förvaring skall ligga mellan 0 °C och 20 °C.

### TRANSPORTERA LITIUMBATTERIER.

Transportera batteriet enligt lokala och nationella lagar och regleringar.

Följ alla specifika krav på förpackning och etiketter när batteri transporteras av tredje part. Se till att batteriet inte kommer i kontakt med andra batterier eller ledande material genom att skydda exponerade kontakter med isolerande, icke ledande skydd eller tejp. Transportera inte batterier som är spruckna eller läcker. Kontrollera med vidarebefordrande företag för mer information.

### RESIDUALRISK

Även om produkten används enligt instruktionerna går det inte att eliminera alla eventuella riskfaktorer. Följande risker kan uppstå vid användning och operatören ska vara extra uppmärksam för att undvika följande:

- Skador orsakade av damm
  - Användning av produkten ger ansevnliga mängder damm och småpartiklar. Använd dammuppsamlare eller anslut produkter till extern dammsugare. Använd andningsskydd med filter som är lämpliga för de material som bearbetas. Se till att arbetsplatsen är tillräckligt ventilerad. Ät, drick eller rök inte på arbetsområdet. Använd endast på de material som anges under avsnittet Avsedd användning. Använd inte på material (som asbest)



som kan innebära hälsorisker.

- skador orsakade av buller eller vibrationer
  - Bär hörselskydd under drift. Använd inte produkten under längre tidsperioder. Se "Riskreducering".

## RISKMINSKNING

Det finns rapporter om att vibrationer från handhållna produkter kan bidra till ett tillstånd som kallas Raynauds syndrom för vissa personer. Symptomen brukar vara att det sticker i fingrarna och att de domnar bort; fingrarna kan också bli vita, särskilt vid kyla. Årftliga faktorer, kyla och fukt, diet, rökning och arbetsrutiner tros alla bidra till att orsaka dessa symptom. Det finns förebyggande åtgärder som du kan vidta för att försöka minska vibrationernas påverkan:

- Håll dig varm när du arbetar i kallt väder. Använd handskar för att hålla kvar värmen i händer och handleder. Kyla har rapporterats som en viktig del i utvecklandet av Raynauds syndrom.
- Träna och rör på dig efter varje användningstillfälle för att öka blodcirkulationen.
- Ta ofta pauser från arbetet. Begränsa tiden du utsätter dig varje dag.

Upphör omedelbart om du upplever några av dessa symptom och uppsök din läkare.

### ⚠ VARNING

Risk för person- eller slitageskador vid användning av verktyget under lång tid. Om verktyget används under längre perioder krävs regelbundna pauser.

## LÄR KÄNNA DIN PRODUKT

Se *sidan 90*.

1. Fjäderförsäpant bladskydd
2. Sugmunstycke
3. Inställningsknapp för dammflödets riktning
4. Knapp för uppläsning av gasreglaget
5. Avtryckare
6. Knapp för djupinställning
7. Riktningssmärke för dammflödet
8. Skala för höjinställning
9. Batteriport
10. Sägklinga
11. Stöd
12. Servicenyckel
13. Adapter för dammpåse
14. Dammpåse
15. Vakuuadapter
16. Knapp för kantplåt
17. Kantplåt

## ANVÄNDNING

### ANVÄNDA DAMMUTBLÅSET

#### Använda en dammsugare

Anslut dammutblåset till ett dammsugsystem för att säkerställa optimalt utslag.

En dammsugaradapter kan anslutas till båda sidorna av

dammutblåset.

- Anslut dammsugaradaptern till en dammsugare.
- Använd en dammsugare som är lämplig för materialet som hanteras.
- Använd en särskild dammsugare vid dammsugning av torrt damm som är skadligt för hälsan eller cancerframkallande.

#### Använda dammpåsen

Använd dammpåsen för mindre arbeten.

- Sätt i dammpåsens adapter i dammutblåset.
- Töm dammpåsen regelbundet för att upprätthålla optimal dammuppsamling.

Ta ur batteriet och rengör dammutblåset regelbundet.

Ta bort eventuella igensättningar med lämpligt verktyg.

**NOTERA:** Sträck inte dina händer in i dammutblåset. De kan skadas av de roterande delarna.

## UNDERHÅLL

### ⚠ VARNING

Produkten får aldrig anslutas till strömkälla under montering, justeringar, rengöring, underhåll eller när produkten inte används. Att koppla bort produkten från strömförsörjningen förhindrar oavsiktlig start som kan orsaka allvarliga olycksfall.

### ⚠ VARNING

Under servicearbete ska enbart tillverkarens originaldelar och -tillbehör användas. Användning av andra delar kan orsaka fara eller produktskada.

- Undvik att använda lösningsmedel vid rengöring av plastdelar. Flertalet plaster kan skadas vid användning av vissa lösningsmedel som säljs i affärerna. Använd en ren tygtrasa för att torka bort smuts, damm, osv.

### ⚠ VARNING

Låt aldrig bromsvätska, bensin, petroleumbaserade produkter, penetrerande oljor och liknande komma i kontakt med plastdelar. Dessa kemiska produkter innehåller ämnen som kan skada, försvaga eller förstöra plasten, vilket kunde försäkra allvarliga kroppsskador.

### ⚠ VARNING

För säkerhet och pålitlighet ska alla reparationer utföras av auktoriserat reparationscenter.

- Använd alltid skyddsglasögon när du använder verktyget eller när du blåser damm. Använd en ansiktsmask om det dammar mycket.
- Ersätt slitna blad med nya.
- Bladet har skarpa kanter och kan vara varmt efter skärningsoperationer. Var extremt försiktig när du rengör det exponerade bladet. Använd handskar för att förhindra personskada.

## SMÖRJNING

Alla lager i produkten har smorts med tillräcklig mängd högklassig smörjmedel för produktens livslängd under normala driftsförhållanden. Därför behövs ingen ytterligare smörjning.

## MILJÖSKYDD



Råmaterialen ska återvinnas i stället för att kastas i hushållsavfallet. För att skona miljön ska verktyget, tillbehören och emballagen sorteras.

## SYMBOLER PÅ PRODUKTEN



Säkerhetsvarning



Tomgångshastighet



Volt



Likström



Läs instruktionerna ordentligt innan start av maskinen.



CE-överensstämmelse



EurAsian överensstämmelsesymbol



Ukrainskt märke för överensstämmelse



Max planingskapacitet



Max planingskapacitet



Använd skyddsglasögon



Gamla elektroniska produkter ska inte kastas med hushållssoporna. Återvinn där sådana faciliteter finns. Kontrollera med din lokala myndighet eller säljaren för att få återvinningstips.

## SYMBOLER I MANUALEN



Notera



Delar och utrustning säljs separat



Lås upp



Lås

Följande signalord och betydelser är tänkta att förklara de olika risknivåerna som är associerade med denna produkt.

### **FARA**

Visar på en direkt riskfylld situation som, om den inte undviks, kan orsaka dödsfall eller allvarig personskada.

### **VARNING**

Visar på en potentiellt riskfylld situation som, om den inte undviks, kan orsaka dödsfall eller allvarig personskada.

### **FÖRSIKTIGHET**

Visar på en potentiellt riskfylld situation som, om den inte undviks, kan orsaka mindre eller måttlig personskada.

### **FÖRSIKTIGHET**

(Utan säkerhetssymbolen) Indikerar en situation som kan leda till egendomsskada.

Höylän suunnittelussa on pidetty etusijalla turvallisuutta, suorituskykyä ja luotettavuutta.

## KÄYTTÖTARKOITUS

Höylä on suunniteltu ainoastaan aikuisten käytettäväksi, käyttäjien tulee lukea ja ymmärtää tämän käyttöoppaan ohjeet ja varoitukset, ja heitä on voitava pitää vastuullisina tekemisistään.

Tämä tuote on tarkoitettu vain puun höyläämiseen (poistaen tasaisen kerroksen ja tuottaen tasaisen ja sileän pinnan) ja puun uritukseen.

Tuotetta ei ole tarkoitettu paikallaan tapahtuvaan höyläämiseen.

Tuotetta saa käyttää vain hyvin tuuletetussa tilassa.

Laitte on tarkoitettu vain kuluttajille. Älä käytä tätä tuotetta millään muulla tavalla kuin mihin se on tarkoitettu.

### VAROITUS

**Lue tarkkaavaisesti kaikki tämän työkalun kanssa toimitetut varoitukset, ohjeet ja spesifikaatiot, ja katso lisäksi kuvat.** Seuraavassa esitettyjen ohjeiden laiminlyönnistä saattaa olla seurauksena onnettomuuksia kuten tulipalot, sähköiskut ja/tai vakavia kehon vammoja.

Säästä kaikki varoitukset ja ohjeet tulevaa käyttöä varten.

## HÖYLÄN TURVALLISUUSVAROITUKSET

- Odota, että leikkuri pysähtyy, ennen kuin lasket työkalun alas. Paljas pyörivä leikkuuterä voi koskettaa pintaa, johtaen mahdollisesti hallinnan menettämiseen ja vakavaan loukkaantumiseen.
- Kiinnitä työkalu ja tue se vakaaseen paikkaan puristimilla tai muilla käytännöllisillä keinoilla. Jos työkalua pidetään kädessä tai kehoa vasten, se on epävakaa ja voi aiheuttaa hallinnan menetyksen.

## MUITA TURVALLISUUSÄÄNTÖJÄ

- Pitele laitetta ainoastaan eristetyistä kosketuspinnosta. Jos laite leikkaa sähköistettyä johtoa, sähkötyökalun metalliosat voivat sähköistyä ja aiheuttaa käyttäjälle sähköiskun.
- Laitteen synnyttämä pöly saattaa olla terveydelle vahingollista. Älä hengitä pölyä. Liitä kone kohdeimujärjestelmään ja käytä sopivaa pölysuojaa kasvoilla. Poista kerääntynyt pöly huolella, esim. pölynimurilla.
- Älä poista tikkuja tai sahanpurua laitteen käydessä.
- Höylää ainoastaan terän ollessa terävä ja varo metalleja (nauloja, ruuveja). Tarkista työkalu ennen höyläystä.
- Älä kurota laitteen vaara-alueelle sen ollessa kytketty pistorasiaan.
- Aseta laitteen etulevy työkaluun ja käynnistä ennen kuin höylän terä koskettaa työkalua ja ohjaa sitten tasaisesti työkaluun yli.
- Tukilevyn edessä oleva V-muotoinen lovi varmistaa reunojen turvallisen viistetyksen.

**Huom:** Itsestään avautuva kääntyvä suojuus tulee nostaa vain työkaluun tai vivulla.

**Huom:** Älä koske pölyporttiin sormilla. Pyörivät terät voivat aiheuttaa loukkaantumisen.

- Pysäytä laite, varmista, että terä pysähtyy täysin, ja poista akku ennen:
  - Tukkeuman puhdistamista tai tukoksen poistamista
  - Laitteen tarkistusta, puhdistusta tai käyttöä
- Käytä pölynkeruulaitetta tai kytke pölynpoistomuri, kun käytät tuotetta.
- Ympäristön lämpötila-alue työkalulle käytön aikana on 0 °C ja 40 °C välillä.
- Ympäristön lämpötila-alue työkalulle varastoinnin aikana on 0 °C ja 40 °C välillä.
- Suositeltu ympäristön lämpötila-alue latausjärjestelmän latauksen aikana on 10 °C ja 38 °C välillä.

## LISÄÄ AKUN TURVALLISUUSVAROITUKSIA

### VAROITUS

Jotta vältetään lyhytsulun aiheuttama tulipalon, loukkaantumisen tai tuotteen vahingoittumisen vaara, älä koskaan upota työkalua, vaihtoakua tai latauslaitetta nesteeseen ja huolehdi siitä, ettei mitään nesteitä pääse tunkeutumaan laitteiden tai akkujen sisään. Syövyttävät tai sähköä johtavat nesteet, kuten suolavesi, tietyt kemikaalit ja lalkaisuaineet tai valkaisuaineita sisältävät tuotteet voivat aiheuttaa lyhytsulun.

- Ympäristön lämpötila-alue akulle käytön aikana on 0 °C ja 40 °C välillä.
- Ympäristön lämpötila-alue akun varastoinnin aikana on 0 °C ja 20 °C välillä.

## LITIUMAKKIJEN KULJETTAMINEN

Kuljeta akkuja paikallisten ja kansallisten ehtojen ja säädösten mukaisesti.

Noudata kaikkia pakkaamista ja nimeämistä koskevia erikoissäädöksiä, kun kolmas osapuoli kuljettaa akkuja. Varmista, että mikään akku ei kosketa muita akkuja tai johtavaa materiaalia kuljetuksen aikana suojaamalla paljaat navat eristäväillä, johtamattomilla korkeilla tai teipillä. Älä kuljeta akkuja, jotka ovat halkeilleet tai vuotavat. Kysy välityritykseltä lisäneuvoja.

## KÄYTÖN RISKIT

Vaikka tuotetta käytettäisiin ohjeiden mukaisesti, ei ole mahdollista täysin eliminoida tiettyjä käyttöön liittyviä riskitekijöitä. Käytössä voi aiheutua seuraavia vaaroja, ja käyttäjän tulee kiinnittää erityistä huomiota niiden välttämiseen:

- Pölyn aiheuttama vamma
  - Tuotteen käyttö synnyttää huomattavan määrän pölyä ja hienoja hiukkasia. Käytä pölynkeruulaitetta tai kytke pölynpoistomuri, kun käytät tuotetta. Käytä suodattimella varustettua pölynaamaa, joka sopii käsiteltävälle materiaalille. Huolehdi työpaikalla riittävästä tuuletuksesta. Älä syö, juo tai tupakoi työalueella. Työstä vain Tarkoitettu käyttö -osiossa

määriteltyjä materiaaleja. Älä käytä materiaaleissa (kuten asbestissa), joista aiheutuu terveysriski.

- melun ja tärinän aiheuttama vamma
  - Käytä työskennellessä kuulosuojaimia. Älä käytä tuotetta pitkiä aikoja. Katso kohta Riskien Vähentäminen.

## RISKIEN VÄHENTÄMINEN

Raporttien mukaan käsityökalujen tärinä voi joidenkin kohdalla myötävaikuttaa Raynaudin oireen ilmenemiseen. Oireita ovat pistely, turtuus ja sormien kalpeneminen, yleensä kylmässä ilmassa. Perinnölliset tekijät, kylmyys ja kosteus, ruokavalio, tupakointi sekä työtavat voivat kaikki myötävaikuttaa näiden oireiden ilmenemiseen. Käyttäjä voi ehkäistä tärinän aiheuttamia vaikutuksia seuraavasti:

- Pidä itsesi lämpimänä kylmällä säällä. Käytä laitteen käytön aikana käsineitä, jotta kätesi ja ranteesi pysyvät lämpöisinä. Raporttien mukaan kylmä ilma on tärkeä tekijä Raynaud's Syndromen (Raunaudin oireiden) ilmenemisessä.
- Harjoita kunkin käyttöjakson jälkeen liikuntaa, jotta verenkierto lisääntyy.
- Pidä työn aikana säännöllisesti taukoja. Rajoita päivittaisen tärinän määrä.

Jos mitään yllä mainittuja oireita ilmenee, lopeta heti laitteen käyttö ja kerro oireista lääkärille.

## VAROITUS

Laitteen pitkittynyt käyttö voi aiheuttaa tai vaikeuttaa vammoja. Kun käytät mitä tahansa laitetta pitkiä aikoja, muista pitää säännöllisiä taukoja.

## TUNNE TUOTTEESI

*Katso sivu 90.*

1. Jousikuormitteinen teränsuojus
2. Imusuutin
3. Pölyn suunnan säädin
4. Liipaisimen lukinnan vapautusnappi
5. Liipaisin
6. Syvyyden säädin
7. Pölyn virtausuunnan merkki
8. Syvyydsasteikko
9. Akkutila
10. Terä
11. Seisontatuki
12. Säätöavain
13. Pölypussin sovitin
14. Pölypussi
15. Imurin sovitin
16. Sivuhjaimen säädin
17. Sivuhjain

## KÄYTTÖ

### PÖLYPORTIN KÄYTTÖ

#### Pölynimurin käyttö

Liitä pölyportti pölynpoistojärjestelmään parhaan mahdollisen poiston takaamiseksi.

Imurin sovitin voidaan kiinnittää kummalle tahansa pölyportin puolelle.

- Liitä imurin sovitin pölynimuriin.
- Käytä pölynimuria, joka soveltuu työstettävään materiaaliin.
- Käytä erityistä pölynimuria, kun imuroit kuivaa pölyä, joka on terveydelle haitallista tai karsinogeenistä.

### Pölypussin käyttö

Käytä pölypussia pieniä töitä varten.

- Aseta pölypussin sovitin pölyporttiin.
- Tyhjennä pölypussi säännöllisesti parhaan mahdollisen pölynkeräyksen saavuttamiseksi.

Poista akku ja puhdista pölyportti säännöllisesti. Irrota tukkivat materiaalit sopivaa välinettä käyttämällä.

**HUOM:** Älä koske pölyporttiin käsillä. Pyörivät osat voivat aiheuttaa loukkaantumisen.

## HUOLTO

### VAROITUS

Tuotetta ei tule koskaan kytkeä pistorasiaan osia koottaessa, säätöjä tehtäessä, puhdistettaessa, huollon aikana tai kun tuotetta ei aiota käyttää. Laitteen irrottaminen virtalähteestä estää vahingossa tapahtuvan käynnistymisen, mikä voi aiheuttaa vakavan loukkaantumisen.

### VAROITUS

Käytä huollossa ainoastaan alkuperäisiä valmistajan tuottamia varaosia, lisälaitteita ja lisävarusteita. Muunlaisten osien käyttö voi aiheuttaa vaaran tai vioittaa laitetta.

- Älä puhdista muoviosia luottimilla. Suurin osa muoveista ei siedä markkinoilla olevia määrättyjä liuotteita, jotka vahingoittavat niitä. Käytä puhdasta riepua lian, pölyn jne. puhdistukseen.

### VAROITUS

Älä koskaan päästä jarrunesteitä, bensiiniä, öljytuotteita, läpäiseviä öljyjä tms. kosketuksiin muoviosien kanssa. Nämä kemialliset tuotteet sisältävät aineita, jotka voivat vaurioittaa, heikentää tai tuhota muovin minkä seurauksena voi aiheutua vakavia ruumiinvammoja.

### VAROITUS

Jotta laite toimisi turvallisesti ja luotettavasti, kaikki korjaukset tulee antaa valtuutetun huoltopisteen hoidettavaksi.

- Käytä aina sähkölaitetta käyttäessäsi tai pölyä puhaltaessasi suojalaseja, joissa on sivusuojaimet. Käytä lisäksi pölynaamarina, jos työ on pölyistä.
- Vaihda kuluneet terät uusiin.
- Terässä on terävät reunat, ja se voi myös olla

kuuma leikkaamisen jälkeen. Ole erittäin varovainen, kun puhdistat esillä olevaa terää. Käytä käsiineitä suojautuaksesi henkilövahingoilta.

## VOITELU

Tuotteen laitteen laakerit on voideltu laitteen eliniäksi normaaliolosuhteissa riittävällä määrällä korkealaatuista voiteluainetta. Tästä syystä työkalu ei kaipaa lisävoitelua.

## YMPÄRISTÖNSUOJELU



Älä hävitä raaka-aineita jätteinä vaan vie ne kierrätykseen. Ympäristönsuojelun kannalta työkalu, lisäksi r usteet ja pakkausmateriaali on lajiteltava.

## TUOTTEESSA OLEVAT SYMBOLIT



Turvallisuusvaroitus



Tyhjäkäyntinopeus



Voltti



Tasavirta



Lue ohjeet huolellisesti ennen laitteen käynnistämistä.



Todistus CE-sääntöjen noudattamisesta



EurAsian-vaatimustenmukaisuusmerkki



Ukrainalainen säädöstenmukaisuusmerkintä



Suurin höyläyskapasiteetti



Suurin höyläyskapasiteetti



Käytä suojalaseja



Käytöstä poistettavia sähkölaitteita ei pidä hävittää talousjätteiden mukana. Ne on mahdollisuuksien mukaan pantava kiertoon. Kierrätysohjeita antavat kunnan viranomaiset ja vähittäiskauppiat.

## KÄSIKIRJAN SYMBOLIT



Huom



Osat ja lisävarusteet on hankittava erikseen



Avaa



Lukko

Seuraavat signaalisanat ja merkitykset on tarkoitettu selittämään tähän tuotteeseen liittyviä riskejä.

### ⚠ VAARA

Ilmoittaa välittömästä vaaratilanteesta, joka saattaa aiheuttaa kuoleman tai vakavan vamman.

### ⚠ VAROITUS

Ilmoittaa mahdollisesta vaaratilanteesta, joka saattaa aiheuttaa kuoleman tai vakavan vamman.

### ⚠ VAROITUS

Ilmoittaa mahdollisesta vaaratilanteesta, joka saattaa aiheuttaa pienen tai kohtalaisen vamman.

### VAROITUS

(Ilman varoitusmerkkiä) Tilanne, joka voi aiheuttaa materiaalista vahinkoa.



Sikkerhet, ytelse og driftssikkerhet er gitt topp prioritet i konstruksjonen av din høvelmaskin.

### TILTENKT BRUK

Høvelen skal bare brukes av voksne som har lest og forstått instruksjonene og advarslene i denne håndboken, og som kan anses som ansvarlig for sine handlinger.

Produktet er kun tiltenkt høvling av trevirke (fjerning av jevne lag for å gi en glatt og flat overflate) og fuge tre.

Produktet er ikke ment for stasjonær høvling.

Dette produktet må bare brukes i et godt ventilerte område. Produktet er kun beregnet til bruk av konsumenter. Ikke bruk produktet på noe annen måte enn det som er beskrevet som tiltenkt bruk.

### ⚠ ADVARSEL

Les nøye gjennom alle advarslene, instruksene og spesifikasjonene som følger med verktøyet, og se på tegningene. Hvis forskriftene nedenfor ikke overholdes, kan det forårsake ulykker som brann, elektrisk støt og/eller alvorlige personskader.

Ta vare på alle advarsler og anvisninger for senere bruk.

### SIKKERHETSADVARSLER FOR PLANHØVEL

- Vent til at kutteren stopper før du setter ned verktøyet. Et ubeskyttet kutterblad kan ta tak i overflaten og føre til mulig tap av kontroll og alvorlig personskade.
- Bruk tvinger og andre praktiske hjelpemidler for å sikre og støtte arbeidsstykket på en stabil plattform. Å holde arbeidsstykket i håden eller trykket mot kroppen kan gjøre det ustabil og føre til tap av kontroll.

### YTTERLIGERE SIKKERHETSREGLER

- Hold på de isolerte gripeflatene på maskinen. Dersom en strømførende ledning klippes over kan metalledene på verktøyet også bli strømførende og gi brukeren elektrisk støt.
- Støv som oppstår under arbeidet kan være helsefarlig. Ikke pust inn støvet. Bruk støvavsug og i tillegg egnede støvbeskyttelsesmaske. Fjern støv grundig, det vil for eksempel si med en støvsuger.
- Ikke fjern trebiter eller sagspon mens verktøyet går.
- Høvl bare med skarpe blader, unngå metaller (spiker, skruer). Sjekk emne før du begynner å høvle.
- Ikke beveg noen kroppsdeler inn i verktøyets fareområde når det er koblet til det elektriske anlegget.
- Sett maskinens frontplate på arbeidsstykket og slå på enheten før jevnerbladet kommer i kontakt med det. Deretter fører du pussemaskinen jevnt over arbeidsstykket.
- Det v-formede hakket foran støtteplaten sikrer en trygg skråkjøring av kantene.

**Nb:** Den selvåpnende svivellåsen skal bare løftes med arbeidsstykket eller spaken.

**Nb:** Ikke berør støvportene med fingrene dine. De kan bli skadet hvis bladene roterer.

- Stopp produktet, sørg for at knivene stanser helt, og fjern batteriet før du utfører følgende handlinger:
  - før du fjerner en blokkering eller renser enheten
  - kontrollerer, rengjør eller jobber med produktet
- Bruk en støvoppsamler eller kople produktet til en støvsuger når det brukes.
- En passende temperatur for verktøyet når det brukes er mellom 0°C og 40°C.
- En passende temperatur for lagring av verktøyet er mellom 0°C og 40°C.
- En passende temperatur når systemet opplades er mellom 10°C og 38°C.

### EKSTRA ADVARSLER FOR BATTERISIKKERHET

### ⚠ ADVARSEL

For å unngå fare for en brann forårsaket av en kortslutning, av personskader eller skader av produktet, må det forhindres at batteripakken eller laderen dyppes i væsker og også sørges for at ingen væsker kan komme inn i apparatene eller batteriene. Korroderende og ledende væsker som saltvann, visse kjemikalier og blekemidler eller produkt som inneholder blekemidler kan forårsake en kortslutning.

- En passende batteritemperatur når verktøyet brukes er mellom 0°C og 40°C.
- En passende lagringstemperatur for batteriet er mellom 0°C og 20°C.

### TRANSPORTERE LITIUUM-BATTERIER

Transporter batteriet i samsvar med lokale og nasjonale forskrifter og bestemmelser.

Følg alle spesielle krav når det gjelder pakking og merking når tredje part skal transportere batteriene. Pass på at batteriene ikke kan komme i kontakt med andre batterier eller ledende materialer når de transporteres ved at du beskytter åpne koblinger med isolerende, ikkeledende hetter eller tape. Ikke transportert batterier som har sprekker eller lekket. Sjekk med transportfirmaet for ytterligere råd.

### GJENVÆRENDE RISIKO

Også når produktet brukes som beskrevet, er det ikke mulig å utelukke risiko for brukere eller personer i nærheten. Følgende farer kan oppstå ved bruk og operatøren bør være spesielt oppmerksom på å unngå/sikre følgende:

- Skader skapt av støv.
  - Bruken av produktet vil skape betydelige mengder støv og fine partikler. Bruk en støvoppsamler eller kople produktet til en støvsuger når det brukes. Bruk åndedrettsbeskyttelse med filter som er tilpasset materialene det arbeides på. Sørg for tilfredsstillende ventilasjon av arbeidsområdet. Ikke spis, drikk eller røyk i arbeidsområdet. Brukes kun på materialer som er spesifisert i avsnittet Tiltenkt bruk. Ikke bruk på materialer (for eksempel asbest) som representerer en helsefare.
- skade skapt av støy og vibrasjoner
  - Bruk hørselsvern under drift. Ikke bruk produktet sammenhengende over lang tid. Se "Farereduksjon".



## FAREREDUKSJON

Det har blitt rapportert at vibrasjonene fra håndholdt verktøy kan bidra til en tilstand som heter Raynauds syndrom hos enkelte. Symptomene kan omfatte følelsesløshet og gjøre fingrene bleke, vanligvis synlig ved eksponering til lave temperaturer. Arvelige faktorer, eksponering mot lave temperaturer og fuktighet, diett, røyking og arbeidspraksis blir alle ansett for å kunne bidra til å utvikle disse symptomene. Brukeren kan iverksette tiltak for mulig å redusere virkningene av vibrasjonene:

- Hold kroppen din varm i kaldt vær. Bruk hansker og hold hender og vrister varme ved bruk av gressklipperen. Det er rapportert at kaldt vær er en viktig faktor som bidrar til Raynauds Syndrome.
- Etter hver arbeidsperiode bør det utføres øvelser for å øke blodsirkulasjonen.
- Ta ofte pauser fra arbeidet som utføres. Begrens mengden av eksponering pr. dag.

Hvis du opplever noen av symptomene på denne tilstanden må du øyeblikkelig avbryte arbeidet og oppsøke en lege med disse symptomene.

**⚠ ADVARSEL**

Skader kan oppstå eller forsterkes ved forlenget bruk av et verktøy. Når du bruker et verktøy over en lenger tidsperiode, husk å ta regelmessige pauser.

## KJENN DITT PRODUKT.

Se side 90.

1. Fjærbelastet bladbeskytter
2. Sponuttakstuss
3. Knapp for støvretning
4. Strømbryterens frigjøringsknapp
5. Avtrekker
6. Dybdejusteringsknapp
7. Merke for støvretning
8. Dybdeskala
9. Batteridør
10. Blad
11. Holder
12. Skrunøkkel
13. Tilkobling for støvpose
14. Støvpose
15. Vakuuadaptor
16. Sidebeskyttelsesknapp
17. Sidebeskyttelse

## BRUK

### SLIK BRUKER DU STØVPORTEN

#### Slik bruker du en støvsuger

Koble støvporten til et støvsugersystem, slik at du får samlet opp mest mulig.

Du kan feste en vakuuadaptor til hver side av støvporten.

- Koble vakuuadaptoren til en støvsuger.
- Bruk en støvsuger som passer til materialet den skal brukes på.
- Bruk en spesial-vakuumstøvsuger ved støvsuging av

støv som er helseskadelig eller kreftframkallende.

#### Slik bruker du støvposen

Bruk støvposen til mindre jobber.

- Fest støvposeadapteren til støvporten.
- Tøm støvposen regelmessig, slik at støvsamlingen blir så effektiv som mulig.

Fjern batteriet og rengjør støvporten regelmessig. Bruk en passende gjenstand til å fjerne evt. blokkerende gjenstander.

**NB:** Fingrene dine skal ikke føres inn i støvporten. De kan bli skadet av roterende blader.

## VEDLIKEHOLD

**⚠ ADVARSEL**

Produktet skal aldri kobles til en strømforsyning mens du monterer på deler, gjør justeringer, rengjør, utfører vedlikehold eller når produktet ikke er i bruk. Koble verktøyet fra strømmen slik at du unngår at det utilsiktede starter, noe som kan føre til alvorlige skader.

**⚠ ADVARSEL**

For service av maskinen, bruk kun produsentens originale reservedeler, tilleggsutstyr og påsatser. Bruk av andre deler kan skape fare eller føre til skade på produktet.

- Unngå bruk av løsemidler når du rengjør plastdelene. De fleste plastmaterialene kan skades ved bruk av løsningsmidlene som fås i handelen. Bruk en ren klut til å tørke bort smuss, støv osv.

**⚠ ADVARSEL**

Du må aldri la bremsevæske, drivstoff, petroleumbaserte produkter, rustoppløsende olje osv. komme i kontakt med plastikkdeler. Slike kjemiske produkter inneholder stoffer som kan skade, svekke eller ødelegge platen, noe som kan medføre alvorlige kroppsskader.

**⚠ ADVARSEL**

For edre sikkerhet og pålitelighet skal alle reparasjoner utføres av et autorisert verksted.

- Bruk alltid vernebriller eller sikkerhetsbriller med sidebeskyttelse ved bruk av elektrisk verktøy eller når det blåses støv. Hvis arbeidet utløser støv, bruk også en støvmaske.
- Erstatt slitte kniver med nye.
- Bladet har skarpe kanter og kan forbli varmt etter et skjæreoperasjonene er gjennomført. Du må derfor være meget forsiktig når du rengjør et ubeskyttet blad. Bruk hansker for å beskytte deg mot personlig skade.

#### SMØRING

Alle lager i dette produktet skal smøres med en tilstrekkelig mengde med et høyverdig smøremiddel for å sikre lang levetid under normale driftsforhold. Det er derfor

unødvendig med tilleggsmøring.

## MILJØVERN



Resirkuler råmaterialer istedenfor å kaste dem i søppelet. Verktøyet, tilbehørene og emballasjen bør sorteres for miljøvennlig resirkulering.

## SYMBOLER PÅ PRODUKTET



Sikkerhetsadvarsel



Hastighet ubelastet



Volt



Likestrøm



Vennligst les instruksjonene nøyte før du starter maskinen.



CE samsvarserklæring



EurAsian Konformitetstegn



Ukrainsk merke for konformitet



Maksimum høvlingskapasitet



Maksimum høvlingskapasitet



Bruk øyebeskyttelse



Avfall fra elektriske produkter skal ikke kastes sammen med husholdningsavfall. Vennligst resirkulervedeksisterende avfallsbehandlingssted. Undersøk hos dine lokale myndigheter eller forhandler for råd om resirkulering.

## SYMBOLER I MANUALEN



Nb



Deler eller tilbehør solgt separat



Låse opp



Lås

Følgende symboler og betydninger forklarer risikonivået som er assosiert med dette produktet.

### FARE

Indikerer en umiddelbart farlig situasjon, som, dersom den ikke unngås, kan føre til alvorlig personskade eller død.

### ADVARSEL

Indikerer en potensiell farlig situasjon, som, dersom den ikke unngås, kan føre til alvorlig personskade eller død.

### ADVARSEL

Indikerer en potensiell farlig situasjon, som, dersom den ikke unngås, kan føre til mindre eller moderate skader.

### ADVARSEL

(Uten sikkerhetssymbol) Indikerer en situasjon som kan resultere i skader på eiendom.



При разработке этого электрорубанка особое внимание уделялось безопасности, производительности и надежности.

### НАЗНАЧЕНИЕ

К использованию рубанка допускаются только совершеннолетние, способные нести ответственность за свои действия, после изучения инструкций и предостережений в настоящем руководстве.

Изделие предназначено только для строгания древесины (равномерного удаления слоя для получения гладкой ровной поверхности) и фальцевания древесины.

Данный продукт не предназначен для строгания стационарных объектов.

Используйте данное изделие только в хорошо проветриваемых помещениях.

Изделие предназначено только для личного использования. Используйте устройство строго по назначению, указанному в настоящем руководстве.

### ⚠ ОСТОРОЖНО

Прочтите все указания, инструкции, иллюстрации и спецификации, поставляемый с этим электроинструментом. Несоблюдение всех инструкций, указанных ниже, может привести к поражению электрическим током, пожару и / или серьезным травмам.

Сохраните все предупреждения и инструкции для дальнейшего использования.

### ТРЕБОВАНИЯ БЕЗОПАСНОСТИ ПРИ РАБОТЕ С РЕЙСМУСОВЫМ СТАНКОМ

- **Перед настройкой инструмента подождите, пока пила не остановит работу.** Открытая вращающаяся фреза может задеть поверхность и привести к потере контроля над инструментом и тяжкому телесному повреждению.
- **Используйте зажимы или другие приспособления для закрепления и удержания обрабатываемой детали в устойчивом положении.** Удерживая деталь рукой или прижимая ее телом, вы не обеспечите ее устойчивости и это может привести к потере контроля.

### ДОПОЛНИТЕЛЬНЫЕ ПРАВИЛА ТЕХНИКИ БЕЗОПАСНОСТИ

- Держите инструмент за изолированные поверхности. При повреждении провода, находящегося под напряжением, металлические части инструмента также могут оказаться под напряжением, что может привести к поражению работающего электрическим током.
- Пыль, образующаяся при работе с данным инструментом, может быть вредна для здоровья (напр. при работе с дубом или буком, камнями, краской, которая может содержать свинец или

другие вредные химикаты) и попасть на тело. Не вдыхайте пыль. Пользуйтесь системой пылеудаления и надевайте подходящую защитную маску. Полностью удалите освещую пыль, например, с помощью пылесоса.

- Не убирайте щепки и опилки во время работы инструмента.
- Стругание выполняйте только с использованием острых режущих лезвий, избегайте попадания металлических предметов (гвозди, шурупы). Осмотрите заготовку перед строганием.
- Избегайте попадания в опасную зону инструмента при его включении в сеть питания.
- Поместите переднюю панель станка на обрабатываемое изделие и включите его; после сопоставления ножа с изделием аккуратно направляйте его вдоль изделия.
- V-образная выемка на фронтальной части удерживающей пластины обеспечивает безопасное снятие фасок.

**Примечание:** Самооткрывающееся поворотное ограждение следует поднимать только посредством обрабатываемой детали или рычага.

**Примечание:** Не допускайте попадания пальцев в патрубок для отсасывания пыли. Вы можете получить травму от вращающихся лезвий.

- Отключите станок, дождитесь полной остановки ножа и извлеките аккумулятор перед:
  - удалением засора или прочисткой
  - осмотром, очисткой и манипуляциями со станком
- Используйте устройство сбора пыли или подключайте пылеотсос при эксплуатации изделия.
- Температура окружающей среды для эксплуатации инструмента должна быть в диапазоне от 0°C до 40°C.
- Температура окружающей среды для хранения инструмента должна быть в диапазоне от 0°C до 40°C.
- Рекомендуемая температура окружающей среды для зарядного устройства в процессе зарядки должна быть в диапазоне между 10°C и 38°C.

### ТРЕБОВАНИЯ БЕЗОПАСНОСТИ ПРИ ИСПОЛЬЗОВАНИИ ДОПОЛНИТЕЛЬНОЙ АККУМУЛЯТОРНОЙ БАТАРЕИ

### ⚠ ОСТОРОЖНО

Для предотвращения опасности пожара в результате короткого замыкания, травм и повреждения изделия не опускайте инструмент, сменный аккумулятор или зарядное устройство в жидкости и не допускайте попадания жидкостей внутрь устройств или аккумуляторов. Коррозионные и проводящие жидкости, такие как соленый раствор, определенные химикаты, отбеливающие средства или содержащие их продукты, могут привести к короткому замыканию.



- Температура окружающей среды для эксплуатации аккумулятора должна быть в диапазоне от 0°C до 40°C.
- Температура окружающей среды для хранения аккумулятора должна быть в диапазоне от 0°C до 20°C.

### ТРАНСПОРТИРОВКА ЛИТиеВЫХ БАТАРЕЙ

Транспортируйте аккумуляторную батарею в соответствии с местными и государственными правилами и положениями.

При транспортировке батарей третьей стороной соблюдайте все специальные требования по упаковке и маркировке. Проверьте, чтобы аккумуляторные батареи не вступали в контакт с другими батареями или проводимыми материалами при транспортировке, для этого защитите оголенные разъемы изоляцией, изолирующими колпачками или лентами. Не переносите батареи с повреждениями или утечками. За дальнейшими консультациями обратитесь в транспортно-экспедиционную компанию.

### ОСТАТОЧНЫЕ РИСКИ

Даже когда изделие используют согласно инструкциям, невозможно полностью устранить факторы риска. Следующие опасности могут возникнуть во время его использования, и во избежание их рабочий должен обратить особое внимание на следующее:

- Травмы, вызываемые пылью
  - В результате использования данного изделия появляется значительное количество пыли и мелких частиц. Используйте устройство сбора пыли или подключайте пылеотсос при эксплуатации изделия. Носите респираторы, содержащие фильтры, соответствующие обрабатываемым материалам. Обеспечьте надлежащую вентиляцию на рабочем месте. Не ешьте, не пейте и не курите в рабочей зоне. Допускается обработка только материалов, указанных в разделе «Назначение». Не работайте с материалами (например, асбестом), которые представляют опасность для здоровья.
- травмы, вызываемые шумом и вибрацией
  - В процессе работы используйте средства защиты органов слуха. Не эксплуатируйте изделие в течение длительного периода времени без перерыва. См. «Снижение Риска».

### СНИЖЕНИЕ РИСКА

Сообщалось, что вибрация ручных электроинструментов у отдельных лиц может способствовать состоянию, которое называется синдром Рейно. К симптомам могут относиться покалывание, онемение и побеление пальцев (как при переохлаждении). Считают, что наследственные факторы, охлаждение и влажность, диета, курение и практический опыт способствуют развитию этих симптомов. Ниже приводятся меры, которые может принять оператор для снижения воздействия вибрации:

- Одевайтесь теплее в холодную погоду. При работе

с устройством пользуйтесь перчатками, чтобы руки и запястья были в тепле. Считается, что холодная погода является основным фактором, способствующим возникновению болезни Рейно (Raynaud's Syndrome).

- После каждого этапа работы выполните упражнения для усиления кровообращения.
- Чаще делайте перерывы в работе. Сократите длительность ежедневного пребывания на открытом воздухе.

При появлении каких-либо из указанных симптомов сразу же прекратите работу и обратитесь по их поводу к врачу.

### ⚠ ОСТОРОЖНО

Продолжительное использование инструмента без перерыва может привести к травмам. При использовании инструмента в течение длительного времени делайте регулярные перерывы.

### ИЗУЧИТЕ ИЗДЕЛИЕ

Стр 90.

1. Пружинное ограждение ножа
2. Пыль Порт
3. Регулятор направления пылевого потока
4. Кнопка разблокировки курка
5. Курок
6. Регулятор глубины
7. Метка направления пылевого потока
8. Глубина масштаба
9. Гнездо подключения батарей
10. Лезвие
11. Откидная опора
12. Гаечный ключ
13. Адаптер пылевого мешка
14. Пылесборный мешок
15. Вакуумный адаптер
16. Регулятор боковой перегородки
17. Боковая перегородка

### ЭКСПЛУАТАЦИЯ

#### ИСПОЛЬЗОВАНИЕ ПАТРУБКА ДЛЯ ОТСАСЫВАНИЯ ПЫЛИ

##### Использование пылесоса

Подсоедините патрубок для отсасывания пыли к системе отвода пыли для обеспечения оптимального удаления пыли.

Вакуумный адаптер устанавливается с любой стороны от патрубка.

- Подсоедините вакуумный адаптер к пылесосу.
- Тип пылесоса должен соответствовать обрабатываемому материалу.
- При работе с сухой пылью, представляющей опасность для здоровья или являющейся канцерогенной, используйте специальный пылесос.



### Использование пылевого мешка

Пылевой мешок предназначен для небольших объемов пыли.

- Вставьте адаптер пылевого мешка в патрубок для отсасывания пыли.
- Регулярно опустошайте пылевой мешок для обеспечения максимальной эффективности уборки.

Время от времени извлекайте аккумулятор и проводите очистку патрубка для отсасывания пыли. В случае засора устраните его с помощью подходящего инструмента.

**ПРИМЕЧАНИЕ:** Не допускайте попадания рук в патрубок для отсасывания пыли. Вы можете получить травму от вращающихся деталей.

### ТЕХНИЧЕСКОЕ ОБСЛУЖИВАНИЕ

#### ОСТОРОЖНО

Прибор ни в коем случае не должен подсоединяться к источнику питания, когда вы разбираете его компоненты, выполняете регулировку, очистку, проводите техническое обслуживание, или когда прибор не используется. Отключение инструмента от источника питания предотвращает его случайный пуск, который может привести к получению тяжелой травмы.

#### ОСТОРОЖНО

При выполнении технического обслуживания используйте только оригинальные запчасти, аксессуары и насадки от производителя. Использование других запчастей может представлять опасность или повредить изделия.

- Избегайте использования растворителей во время чистки пластмассовых частей. Многие пластмассы чувствительны к воздействию различных бытовых растворителей и в результате их использования могут разрушиться. Для снятия грязи, пыли и пр. пользуйтесь чистой тряпкой.

#### ОСТОРОЖНО

Никогда не допускайте контакта тормозной жидкости, бензина, продуктов на нефтяной основе, пропиточного масла и т. д. с пластмассовыми частями. Эти химикаты содержат вещества, которые могут испортить, ослабить или разрушить пластмассу. Это ведет к тяжелым травмам.

#### ОСТОРОЖНО

Для большей безопасности и надежности все ремонтные работы должны проводиться авторизованным сервисным центром.

- Всегда надевайте предохранительные или защитные очки с боковыми защитными экранами при работе с данным инструментом или сдувании

пыли. Если во время работы образуется много пыли, также надевайте пылезащитную маску.

- Заменяйте изношенные диски новыми.
- Нож имеет острые края и в процессе работы станка может нагреваться. При очистке лезвия соблюдайте особую осторожность. Используйте перчатки для защиты от травм.

### СМАЗКА

Все подшипники в изделии смазаны достаточным количеством высокосортной смазки для продолжительной эксплуатации изделия в нормальных рабочих условиях. Поэтому дополнительная смазка не требуется.

### ЗАЩИТА ОКРУЖАЮЩЕЙ СРЕДЫ



Утилизируйте как сырье, а не выбрасывайте как мусор. Машина, аксессуары и упаковка должны быть отсортированы.

### УСЛОВНЫЕ ОБОЗНАЧЕНИЯ НА ПРОДУКТЕ



Сигнал опасности



Скорость на холостом ходу



Вольт



Постоянный ток



Перед использованием прибора внимательно ознакомьтесь с данной инструкцией.



Соответствие требованиям CE



Знак Евразийского Соответствия Сертификат Соответствия № TC RU C-DE.PC52.B.01095 Срок действия Сертификата Соответствия По 20.08.2022 «Региональный центр оценки соответствия» 123060, город Москва, улица Маршала Рыбалко, дом 2, корпус 9, помещение 638.



Украинский знак стандартизации



Макс. объем строгания



Макс. объем строгания



Применяйте средства защиты органов зрения



Отработанная электротехническая продукция должна уничтожаться вместе с бытовыми отходами. Утилизируйте, если имеется специальное техническое оборудование. По вопросам утилизации проконсультируйтесь с местным органом власти или предприятием розничной торговли.

## ОБОЗНАЧЕНИЯ В РУКОВОДСТВЕ



Примечание



Детали или принадлежности, приобретаемые отдельно



Расцепить



Зафиксировать

Следующие сигнальные слова и значения предназначены, чтобы объяснить уровни риска, связанного с этим изделием.

### ОПАСНО

Указывает на потенциально опасную ситуацию, которая, если ее не избежать, приведет к летальному исходу или серьезной травме.

### ОСТОРОЖНО

Указывает на потенциально опасную ситуацию, которая, если ее не избежать, может привести к летальному исходу или серьезной травме.

### ВНИМАНИЕ

Указывает на потенциально опасную ситуацию, которая, если ее не избежать, может привести к травме легкой или средней тяжести.

### ВНИМАНИЕ

(Без Символа Тревоги Безопасности) Указывает ситуацию, которая может кончиться повреждением собственности.

### Транспортировка:

Категорически не допускается падение и любые механические воздействия на упаковку при транспортировке.

При разгрузке/погрузке не допускается использование любого вида техники, работающей по принципу зажима упаковок.

### Хранение:

Необходимо хранить в сухом месте.

Необходимо хранить вдали от источников повышенных температур и воздействия солнечных лучей.

При хранении необходимо избегать резкого перепада температур.

Хранение без упаковки не допускается.

### Срок службы изделия:

Срок службы изделия составляет 5 лет.

Не рекомендуется к эксплуатации по истечении 5 лет хранения с даты изготовления без предварительной проверки.

**Дата изготовления** (код даты) отштампован на поверхности корпуса изделия.

Пример:

W17 Y2015, где Y2015 - год изготовления

W17 – неделя изготовления

Определить месяц изготовления можно согласно приведенной ниже таблице, на примере 2015 года.

**Обратите внимание!** Количество недель в месяце различается от года в год.

Месяц	Январь	Февраль	Март	Апрель	Май	Июнь	Июль	Август	Сентябрь	Октябрь	Ноябрь	Декабрь	Год
Неделя	01	05	09	14	18	22	27	31	36	40	44	49	2015
	02	06	10	15	19	23	28	32	37	41	45	50	
	03	07	11	16	20	24	29	33	38	42	46	51	
	04	08	12	17	21	25	30	34	39	43	47	52	
	05	09	13	18	22	26	31	35	40	44	48	53	
			14			27							

W przypadku tej strugarki zwrócono szczególną uwagę na zapewnienie bezpieczeństwa, wysokiej wydajności oraz niezawodności.

## PRZEZNACZENIE

Strugarkę powinny obsługiwać odpowiedzialne za swoje czyny osoby dorosłe, które przeczytały i zrozumiały instrukcje i ostrzeżenia zawarte w niniejszym podręczniku.

Produkt jest przeznaczony wyłącznie do strugania drewna (usuwania równej warstwy w celu uzyskania gładkiej i płaskiej powierzchni) oraz profilowania drewna.

Ten produkt nie jest przeznaczony do stacjonarnego strugania.

Produkt powinien być używany wyłącznie w dobrze wentylowanych miejscach.

Produkt przeznaczony jest do stosowania wyłącznie przez konsumentów. Nie należy używać tego produktu niezgodnie z przeznaczeniem.

## ⚠ OSTRZEŻENIE

**Prosimy o uważne zapoznanie się z ostrzeżeniami, instrukcjami i specyfikacjami dostarczonymi z tym narzędziem oraz z zawartymi w nich ilustracjami.** Nie przestrzeganie przedstawionych niżej zaleceń mogłoby pociągnąć za sobą wypadki takie jak pożary, porażenia prądem elektrycznym i /lub poważne obrażenia ciała.

**Zachowaj wszystkie ostrzeżenia i instrukcje do wykorzystania w przyszłości.**

## OSTRZEŻENIA DOTYCZĄCE BEZPIECZEŃSTWA STRUGARKI

- **Przed odłożeniem narzędzia należy odczekać do momentu jego zatrzymania.** Niezabezpieczone ostrze obrotowe może zetknąć się z powierzchnią, powodując utratę kontroli i poważne obrażenia ciała.
- **Należy stosować zaciski lub inne praktyczne metody mocowania obrabianego materiału do stabilnej platformy.** Przytrzymywanie obrabianego materiału ręką lub dociskanie go do ciała powoduje niestabilność materiału i może doprowadzić do utraty kontroli.

## DODATKOWE PRZEPISY BEZPIECZEŃSTWA

- Narzędzie należy trzymać wyłącznie za izolowane powierzchnie uchwytów. Przecięcie przewodu pod napięciem może spowodować przepływ prądu przez metalowe elementy urządzenia i porażenie operatora.
- Pył wydzielający się podczas pracy tego narzędzia może być szkodliwy dla zdrowia. Nie wdychać pyłu. Stosować układ pochłaniania pyłu i nosić odpowiednią maskę ochronną. Usuń dokładnie pył, np. odkurzaczem.
- Nie należy usuwać drzazg ani trocin, gdy narzędzie jest uruchomione.
- Należy strugać wyłącznie przy użyciu dobrze naostrzonych ostrzy, unikać metalowych elementów (gwoździ, śrub). Należy sprawdzić narzędzie przed struganiem.

- Nie należy zbliżać części ciała do niebezpiecznych elementów narzędzia, gdy narzędzie jest podłączone do źródła zasilania.
- Umieścić przednią płytę maszyny na obrabianym elemencie i włączyć ją zanim ostre strugarki zetknę się z obrabianym elementem, a następnie równomiernie przesunąć ją nad elementem.
- Wycięcie w kształcie litery V przed płytą podporową zapewni bezpieczne fazowanie krawędzi.

**Uwaga:** Samoczynnie otwierająca się osłona wychylna powinna być podnoszona wyłącznie przez element roboczy lub za pomocą dźwigni.

**Uwaga:** Nie wkładać palców do otworu wylotowego pyłu. Może dojść do ich urazu w rezultacie kontaktu z obracającymi się ostrzami.

- Zatrzymać produkt, poczekać na całkowite wyhamowanie ostrza i wyjąć akumulator przed:
  - oczyszczeniem mechanizmu z blokujących go resztek lub udrożnieniem
  - sprawdzeniem i czyszczeniem produktu oraz pracą z produktem
- Podczas obsługi produktu należy używać urządzenia odpylającego lub odkurzacza.
- Zakres temperatury otoczenia dla narzędzia podczas eksploatacji to od 0°C do 40°C.
- Zakres temperatury otoczenia dla narzędzia podczas przechowywania to od 0°C do 40°C.
- Zalecany zakres temperatury otoczenia dla układu ładującego podczas ładowania to od 10°C do 38°C.

## AKUMULATOR — DODATKOWE OSTRZEŻENIA DOTYCZĄCE BEZPIECZEŃSTWA

### ⚠ OSTRZEŻENIE

Aby uniknąć niebezpieczeństwa pożaru, obrażeń lub uszkodzeń produktu na skutek zwarcia, nie wolno zanurzać narzędzia, akumulatora wymiennego ani ładowarki w cieczach i należy zatroszczyć się o to, aby do urządzeń i akumulatorów nie dostały się żadne ciecze. Zwarcie spowodować mogą korodujące lub przewodzące ciecze, takie jak woda morska, określone chemikalia i wybielacze lub produkty zawierające wybielacze.

- Zakres temperatury otoczenia dla akumulatora podczas eksploatacji to od 0°C do 40°C.
- Zakres temperatury otoczenia dla akumulatora podczas przechowywania to od 0°C do 20°C.

## TRANSPORTOWANIE AKUMULATORÓW LITOWYCH

Akumulatory należy transportować zgodnie z lokalnymi i krajowymi przepisami i regulacjami.

Należy postępować zgodnie z wszystkimi specjalnymi wymaganiami dotyczącymi pakowania i etykietowania akumulatorów podczas transportu przez stronę trzecią. Upewnić się, że żadne akumulatory nie zetkną się z innymi akumulatorami lub materiałami przewodzącymi podczas transportu. W tym celu należy zabezpieczyć odkryte



złącza nieprzewodzącymi nakładkami izolacyjnymi lub taśmą izolacyjną. Nie należy transportować pękniętych ani nieszczelnych akumulatorów. Szczegółowe porady można uzyskać w firmie spedycyjnej.

## RYZIKO ZWIĄZANE Z UŻYTKOWANIEM

Nawet jeśli produkt jest używany zgodnie z zaleceniami, nadal nie jest możliwe wyeliminowanie określonych czynników ryzyka. Następujące zagrożenia mogą wystąpić podczas używania urządzenia i operator powinien zwracać szczególną uwagę na poniższe punkty:

- Urazy ciała spowodowane pyłem
  - Podczas używania produktu wytwarzane są duże ilości pyłu i drobnych cząstek. Podczas obsługi produktu należy używać urządzenia odpylającego lub odkurzacza. Należy nosić maskę ochronną z filtrem odpowiednim do obrabianego materiału. Należy zapewnić odpowiednią wentylację miejsca pracy. Nie jeść, nie pić i nie palić w miejscu pracy. Stosować wyłącznie do szlifowania materiałów opisanych w sekcji „Przeznaczenie”. Nie należy używać w przypadku materiałów (np. azbestu) stwarzających zagrożenie dla zdrowia.
- Urazy spowodowane hałasem i wibracjami
  - Podczas pracy należy nosić środki ochrony słuchu. Nie należy używać produktu przez dłuższy czas. Patrz „Ograniczenie Ryzyka”.

## OGRANICZENIE RYZYKA

Znane są przypadki wywołania u niektórych osób objawu Raynauda spowodowanego wibracjami ręcznych narzędzi. Typowe objawy to mrowienie, drętwienie i blednięcie palców, widoczne zwykle po wystawieniu na działanie zimna. Uważa się, że czynniki dziedziczne, wystawienie na działanie zimna i wilgoci, dieta, palenie papierosów i przyjęte zwyczaje przyczyniają się do rozwoju tych objawów. Istnieją środki zaradcze, które może podjąć operator narzędzia, aby zmniejszyć efekt wibracji:

- Zadbaj w niskich temperaturach o ciepłotę własnego ciała, zakładając odpowiednie ubranie. Podczas obsługi urządzenia należy nosić rękawice, aby dłonie i nadgarstki były ciepłe. Wiadomo, że niskie temperatury są główną przyczyną powstawania objawu Raynauda.
- Podczas przerw w pracy należy wykonywać ćwiczenia poprawiające krążenie krwi..
- Podczas pracy robić częste przerwy. Ograniczyć ekspozycję w ciągu dnia.

W razie doświadczenia dowolnego z wymienionych objawów, należy niezwłocznie zaprzestać użytkowania tego urządzenia i skontaktować się z lekarzem.

### ⚠ OSTRZEŻENIE

Długotrwałe użytkowanie narzędzia może spowodować obrażenia ciała lub nasilić dolegliwości zdrowotne. W przypadku używania narzędzia przed dłuższy czas należy pamiętać o regularnych przerwach.

## INFORMACJE O PRODUKCIE

Patrz strona 90.

1. Sprężynowa osłona ostrza
2. Przyłącze do odciągu trocin
3. Pokrętko regulacji kierunku przepływu pyłu
4. Przycisk odblokowania spustu przepustnicy
5. Przycisk uruchamiający
6. Pokrętko regulacji głębokości
7. Oznaczenie kierunku przepływu pyłu
8. Skala głębokości
9. Gniazdo akumulatora
10. Tarcza
11. Podpórka
12. Kluczyk
13. Element pośredniczący worka na pył
14. Worek na pył
15. Adapter odkurzacza
16. Pokrętko osłony bocznej
17. Osłona boczna

## OBSŁUGA

### OBSŁUGA WYLOTU PYŁU

#### Korzystanie z odkurzacza

Podłączyć wylot pyłu do instalacji odprowadzającej pył w celu zapewnienia optymalnego odprowadzania pyłu.

Złączkę odkurzacza można podłączyć z dowolnej strony wylotu pyłu.

- Podłączyć złączkę odkurzacza do odkurzacza.
- Stosować odkurzacz przystosowany do obrabianego materiału.
- Stosować odkurzacz specjalny w przypadku odprowadzania pyłu szkodliwego dla zdrowia lub rakotwórczego.

#### Korzystanie z worka na pył

W przypadku prac o mniejszym zakresie korzystać z worka na pył.

- Wprowadzić złączkę worka na pył do wylotu pyłu.
- Regularnie opróżniać worek na pył, aby zapewnić optymalne odprowadzanie pyłu.

Regularnie czyścić wylot pyłu po odłączeniu akumulatora.

Usuwać wszelkie blokujące przedmioty odpowiednim narzędziem.

**UWAGA:** Nie wkładać dłoni do wylotu pyłu. Może dojść do ich urazu w rezultacie kontaktu z obracającymi się częściami.

## KONSERWACJA

### ⚠ OSTRZEŻENIE

Produkt nigdy nie może być podłączony do źródła zasilania podczas montażu części, regulacji, czyszczenia, konserwacji lub gdy nie jest używany. Odłączenie produktu od zasilania pozwala zapobiec przypadkowemu uruchomieniu, które mogłoby spowodować obrażenia.



### ⚠ OSTRZEŻENIE

W przypadku serwisowania należy stosować wyłącznie oryginalne części zamienne, akcesoria oraz osprzęt producenta. Użycie jakiegokolwiek innej części mogłoby spowodować zagrożenie lub też uszkodzić wasze narzędzie.

- Nie stosować rozpuszczalników do czyszczenia elementów plastikowych. Większość tworzyw sztucznych, mogłyby zostać uszkodzone przez użycie rozpuszczalników dostępnych w sprzedaży. Używajcie czystej szmatki do mycia zabrudzeń, pyłu, itd.

### ⚠ OSTRZEŻENIE

Nie wolno dopuścić do kontaktu plastikowych części z płynem hamulcowym, benzyną, produktami ropopochodnymi, olejami penetrującymi itp. Te produkty chemiczne zawierają substancje, które mogłyby uszkodzić, osłabić lub zniszczyć plastik, co mogłoby spowodować poważne zranienie.

### ⚠ OSTRZEŻENIE

Aby zapewnić wyższy poziom bezpieczeństwa i niezawodności, wszystkie naprawy powinny być przeprowadzane przez autoryzowany punkt serwisowy.

- Podczas użytkowania elektronarzędzi lub wydmuchiwania pyłu należy zawsze nosić okulary ochronne z osłonami bocznymi. Jeśli wykonywanej pracy towarzyszy powstawanie pyłu, należy również stosować maskę przeciwpyłową.
- Zużyte ostrza należy wymienić na nowe.
- Ostrze ma ostre krawędzie, a po zakończeniu cięcia może być gorące. W trakcie czyszczenia odsloniętego ostrza zachować skrajną ostrożność. Nosić rękawice w celu ochrony przed urazami.

### SMAROWANIE

Wszystkie łożyska produktu są smarowane przy użyciu odpowiedniej ilości wysokiej jakości smaru na cały okres eksploatacji produktu przy uwzględnieniu normalnych warunków roboczych. W wyniku czego, nie zachodzi potrzeba dodatkowego smarowania.

### OCHRONA ŚRODOWISKA



Surowce należy oddawać do powtórnego przetworzenia zamiast wyrzucać je na śmieci. Z myślą o ochronie środowiska, narzędzie, akcesoria i opakowania powinny być sortowane.

### SYMBOLE PRODUKTU



Uwaga dotycząca bezpieczeństwa

$n_o$

Prędkość bez obciążenia

v

Wolt



Prąd stały



Przed uruchomieniem urządzenia prosimy uważnie przeczytać instrukcję



Zgodność CE



Znak zgodności EurAsian



Ukraiński znak zgodności



Maksymalna wydajność strugania



Maksymalna wydajność strugania



Stosować środki ochrony wzroku



Zużyte produkty elektryczne nie powinny być utylizowane z odpadami domowymi. Prosimy poddawać recyklingowi w odpowiednich miejscach. Informacje o właściwych metodach recyklingu można uzyskać u władz lokalnych lub sprzedawcy.

### SYMBOLE W INSTRUKCJI



Uwaga



Części lub akcesoria sprzedawane oddzielnie



Odkręcenie uchwytu



Blokada

Poniższe symbole i nazwy które im nadano, pozwalają wyjaśnić różne poziomy ryzyka związanego z użytkowaniem tego narzędzia.

### ⚠ NIEBEZPIECZEŃSTWO

Oznacza bezpośrednio niebezpieczną sytuację, która, jeśli nie zostanie unikięta, spowoduje śmierć lub poważne

urazy ciała.

 **OSTRZEŻENIE**

Oznacza potencjalnie niebezpieczną sytuację, która, jeśli nie zostanie uniknięta, może spowodować śmierć lub poważne urazy ciała.

 **UWAGA**

Oznacza potencjalnie niebezpieczną sytuację, która, jeśli nie zostanie uniknięta, może spowodować niewielkie lub umiarkowane urazy ciała.

**UWAGA**

(Bez symbolu bezpieczeństwa) Wskazuje na sytuację mogącą spowodować straty materialne.





Bezpečnost, výkon a spolehlivost byli hlavní prioritou při návrhu vaší hoblovky.

### ZAMÝŠLENÉ POUŽITÍ

Tento hoblík je určen k používání dospělými osobami, které četly návod k použití, chápou rizika a nebezpečí s ním spojená a mohou být považovány za osoby zodpovědné za své jednání.

Výrobek je určen pouze pro hoblování dřeva (úběr rovnoměrné vrstvy pro získání rovného, hladkého povrchu) a drážkování dřeva.

Navíc není tento nástroj určen pro stacionární hoblování.

Produkt by měl být používán pouze v dobře větraných prostorách.

Výrobek je určen pouze pro spotřebitelské využití. Nepoužívejte výrobek jinak než je uvedeno v určeném použití.

### VAROVÁNÍ

**Přečtěte si pozorně upozornění, pokyny a technické specifikace dodané s nářadím a prohlédněte si ilustrace. Nedodržení uvedených pokynů může způsobit požár, úraz elektrickým proudem a/nebo jiné vážné zranění.**

**Uchovejte si všechny pokyny a varování pro budoucí nahlédnutí.**

### BEZPEČNOSTNÍ VAROVÁNÍ ŘEZAČE

- **Před sundáním nástroje počkejte, až se fréza zastaví.** Nechráněný otáčející nůž může zasáhnout předměty, což může zapříčinit ztrátu kontroly a vážné poranění.
- **Používejte svorky nebo jiné pomůcky pro zabezpečení a podporu obrobku ke stabilní platformě.** Držením obrobku vaší rukou nebo proti tělu vzniká nestabilita a může to vést ke ztrátě kontroly.

### DODATEČNÉ BEZPEČNOSTNÍ PŘEDPISY

- Držte nářadí pouze za izolované části s protiskluzovou úpravou. Pořezání „živého“ vodiče způsobí, že kovové části elektricky poháněného nástroje se stanou vystavenými a způsobí elektrický úraz obsluze.
- Prach vznikající při práci s nástrojem bývá zdraví škodlivý. Prach nevdechujte. Používejte odsávání prachu a navíc se chraňte vhodnou ochrannou maskou. Řádně odstraňujte usazený prach, např. vysavačem.
- Během činnosti nástroje neodstraňujte piliny ani prach.
- Hoblujte pouze ostrými noži, vyhněte se kovem (hřebíky, šrouby). Zkontrolujte obrobek před hoblováním.
- Nesahejte do nebezpečné oblasti nástroje, když je zapojen.
- Umístěte přední destičku přístroje na obrobek a zapněte a teprve poté umístěte čepel řezačky na obrobek a rovnoměrně přes něj přejeďte.
- Zarážka ve tvaru v na čele podpěrné desky zajišťuje bezpečné zkosení hran.

**Poznámka:** Samootevrací výsuvný kryt lze nadzvednout pouze obrobkem nebo pomocí páčky.

**Poznámka:** Nedotýkejte se prsty adaptéru pro odsávání prachu. Mohlo by dojít k jejich poranění otáčejícími se čepelími.

- Výrobek zastavte, ujistěte se, že se čepel zcela zastavila a vyjměte baterii, a to vždy před:
  - čištěním nánosů nebo vyprázdněním
  - kontrolou, čištěním nebo práci na výrobku
- Při provozování produktu používejte zařízení na zachycení prachu nebo připojte vysavač.
- Rozsah teplot okolí při používání nástroje je od 0 °C do 40 °C.
- Rozsah teplot okolí při skladování nástroje je od 0 °C do 40 °C.
- Rozsah doporučených teplot okolí při používání systému nabíjení akumulátoru je od 10 °C do 38 °C.

### DOPLŇUJÍCÍ BEZPEČNOSTNÍ UPOZORNĚNÍ K BATERII

#### VAROVÁNÍ

Abyste zabránili nebezpečí požáru způsobeného zkratem, poraněním nebo poškozením výrobku, neponořujte nářadí, výměnnou baterii nebo nabíječku do kapalin a zajistěte, aby do zařízení a akumulátorů nevnikly žádné tekutiny. Korodující nebo vodivé kapaliny, jako je slaná voda, určité chemikálie a bělicí prostředky nebo výrobky, které obsahují bělidlo, mohou způsobit zkrat.

- Rozsah provozních teplot okolí akumulátoru je od 0 °C do 40 °C.
- Rozsah skladovacích teplot okolí akumulátoru je od 0 °C do 20 °C.

### TRANSPORT LITHIOVÝCH BATERIÍ

Přenos baterie dle místních a národních opatření a předpisů.

Dodržujte všechny zvláštní požadavky na balení a značení při transportu baterií třetí stranou. Zajistěte, aby žádné baterie nepřišly do kontaktu s jinými bateriemi nebo vodivými materiály při transportu pomocí ochrany nekrytých kontaktů prostřednictvím izolace, nevodivých krytek či lepicích pásek. Nepřepravujte prasklé nebo baterie s unikajícím elektrolytem. Ptejte se u zásilkové společnosti na další radu.

### ZBYTKOVÁ RIZIKA

Dokonce, i když se výrobek provozuje jak je předepsáno, je stále nemožné zcela eliminovat veškeré zbytkové rizikové faktory. Následující nebezpečí mohou nastat při používání; vyhybte se:

- Zranění způsobené prachem
  - Používání produktu vede ke tvorbě značného množství prachu a jemných částic. Při provozování produktu používejte zařízení na zachycení prachu nebo připojte vysavač. Noste masky obsahující



filtry vhodné pro materiály, se kterými pracujete. Zajistit dostatečné větrání pracoviště. V pracovní oblasti výrobku nejíst, nepít, ani nekouřit. Nástroj používejte pouze k broušení materiálů uvedených v určeném účelu. Nepracujte s materiály (např. azbest), které ohrožují lidské zdraví.

- zranění způsobená hlukem a vibracemi
  - Během provozu používejte ochranu sluchu. Neprovazujte produkt příliš dlouhou dobu. Viz "Snižování Rizik".

## SNÍŽENÍ RIZIKA

Bylo zjištěno, že vibrace z nástrojů mohou u některých osob přispívat ke stavu tzv Raynaud's Syndrome (Raynaudovu syndromu). Mezi jeho příznaky patří brnění, necitlivost a zbledení prstů, patrné obvykle po pobytu v chladu. Vědci se domnívají, že k rozvinutí těchto příznaků přispívají dědičné faktory, pobyt v chladu a vlhku, strava, kouření a pracovní návyky. Uživatel může omezit případné působení vibrací použitím vhodných opatření:

- Za chladného počasí se teple oblečte. Při práci s nástrojem si navlékněte rukavice, abyste udrželi ruce a zápěstí v teple. Bylo zjištěno, že chladné počasí je hlavním faktorem přispívajícím k Raynaud's Syndrome (Raynaudovu syndromu).
- Během práce si v pravidelných intervalech zacvičte, abyste zvýšili krevní oběh.
- Zařazujte časté pracovní přestávky. Omezte dobu práce za den.

Jakmile pocítíte některý z výše uvedených příznaků tohoto syndromu, okamžitě přerušete práci a vyhledejte lékaře.

## VAROVÁNÍ

Poranění mohou být způsobena, či zhoršena, prodlouženým používáním nástroje. Když používáte jakýkoliv nástroj delší dobu, dělejte pravidelně přestávky.

## SEZNAMTE SE S VÝROBKEM

Viz strana 90.

1. Pružinový kryt čepele
2. Napojení na odsávání prachu
3. Knoflík směřování prachu
4. Pojistka proti nechtěnému spuštění nářadí
5. Spoušť
6. Knoflík nastavení hloubky
7. Značka směřování prachu
8. Stupnice pro nastavení hloubky řezu
9. Otvor pro baterie
10. Pilový kotouč
11. Stojan
12. Servisní utahovací klíč
13. Adaptér sáčku na prach
14. Sáček pro prach
15. Adaptér na sací zařízení
16. Knoflík bočního chrániče
17. Boční chránič

## OBSLUHA

### POUŽÍVÁNÍ ADAPTÉRU PRO ODSÁVÁNÍ PRACHU

#### Používání vysavače

Připojte adaptér pro odsávání prachu k zařízení na odsávání prachu, aby bylo zajištěno optimální odsávání.

Nástavec pro vysavač lze nasadit do libovolného z obou otvorů adaptéru pro odsávání prachu.

- Připojte nástavec pro vysavače k vysavači.
- Používejte vysavač, který je vhodný pro opracovávaný materiál.
- Pro odsávání suchého prachu, který je zdraví škodlivý nebo karcinogenní, používejte k takovému účelu uzpůsobený vysavač.

#### Používání prachového sáčku

Používejte menší prachový sáček.

- Zasuňte nástavec pro prachový sáček do otvoru adaptéru pro odsávání prachu.
- Sáček pravidelně vyprazdňujte za účelem optimálního zachytávání prachu.

Pravidelně vyjímejte baterii a čistěte adaptér pro odsávání prachu. Vhodným nástrojem odstraňte jakýkoliv předmět, který ucpává průchod.

**POZNÁMKA:** Do otvorů adaptéru pro odsávání prachu nesahejte. Mohlo by dojít k poranění prstů otočnými díly

## ÚDRŽBA

### VAROVÁNÍ

Výrobek nikdy nepřipojujte ke zdroji napájení, když se montují díly, provádí seřizování, čištění, údržba nebo když se nepoužívá. Odpojení nářadí od zdroje energie zabrání nechtěnému spuštění, které by mohlo způsobit vážné poranění.

### VAROVÁNÍ

Při provádění servisu používejte pouze originální příslušenství, doplňky a náhradní díly výrobce. Použití jakýchkoliv jiných dílů může vytvořit nebezpečí nebo způsobit poškození výrobku.

- Vyhnete se používání rozpouštědel, když čistíte plastové díly. Většina ředidel běžně dostupných v obchodní síti se nehodí k čištění plastových částí, neboť narušuje povrch plastů. K odstranění nečistot, prachu apod. používejte čistý hadr.

### VAROVÁNÍ

Nikdy nenechte přijít brzdové kapaliny, petrolej, výrobky založené na petroleji, pronikavé oleje, atd. do kontaktu s plastovými součástmi. Tyto výrobky obsahují chemikálie, které mohou poškodit, oslabit nebo zničit plastové části, případně snížit jejich životnost a být příčinou úrazu.

## VAROVÁNÍ

Pro lepší bezpečnost a bezporuchovost by mělo opravy provádět pověřené autorizované servisní středisko.

- Vždy noste bezpečnostní brýle nebo bezpečnostní brýle s postranními štítky, když obsluhujete elektricky poháněný nástroj nebo při rozdmýchávání (tvorbě) prachu. Pokud pracujete v prachu, noste také respirátor.
- Vyměňte opotřebované nože za nové.
- Čepel má ostré hrany a po řezání může být horká. Při čištění obnažené čepel dbejte zvýšené opatnosti. Používejte rukavice, abyste se nezranili.

## MAZÁNÍ

Veškerá ložiska nářadí byla výrobcem namazána dostatečným množstvím vysoce účinného maziva, které stačí na celou dobu životnosti produktu při normálních podmínkách používání. Žádné další mazání nářadí není nutné.

## OCHRANA ŽIVOTNÍHO PROSTŘEDÍ



V rámci možností neodhazujte vysloužilé nářadí do domovního odpadu a upřednostněte jeho recyklaci. V souladu s předpisy na ochranu životního prostředí odkládejte vysloužilé nářadí, příslušenství i obalový materiál do tříděného odpadu.

## SYMBOLY NA VÝROBKU



Bezpečnostní výstraha



Otáčky naprázdno



Napětí



Stejnosměrný proud



Před spuštěním přístroje si řádně přečtěte pokyny.



Shoda CE



Euroasijská značka shody



Ukrajinská značka shody



Maximální hoblovací kapacita



Maximální hoblovací kapacita



Noste ochranu očí



Odpad elektrických výrobků se nesmí likvidovat v domovním odpadu. Recyklujte prosím na sběrných místech. Ptejte se u místních úřadů nebo prodejce na postup při recyklaci.

## SYMBOLY POUŽITÉ V NÁVODU



Poznámka



Díly nebo příslušenství jsou v prodeji samostatně



Odemknuto



Zamknuto

Následující signální slova a významy jsou vhodné pro vysvětlení úrovní nebezpečí spojených s tímto výrobkem.

### NEBEZPEČÍ

Upozorňuje na bezprostředně nebezpečnou situaci, která vede k usmrcení nebo těžkému zranění.

### VAROVÁNÍ

Upozorňuje na možnou nebezpečnou situaci, která by mohla vést ke smrtelnému úrazu nebo k závažnému zranění.

### POZOR

Upozorňuje na možnou nebezpečnou situaci, která může vést k menšímu nebo lehkému zranění.

### POZOR

(Bez bezpečnostního výstražného symbolu) Určuje situaci, která může mít za následek vážné poškození.



A gyalu tervezésekor a biztonság, a teljesítmény és a megbízhatóság voltak a legfontosabb szempontok.

### RENDELTETÉSSZERŰ HASZNÁLAT

A gyalugépet kizárólag olyan felnőttek használhatják, akik elolvasták és megértették a jelen kézikönyv utasításait és figyelmeztetéseit, és tetteikért felelősséget tudnak vállalni.

A termék kizárólag fa gyalulására (azonos vastagságú réteg eltávolítása és sima, sík felület előállítására) és a fa éles sarkainak eltávolítására szolgál.

A termék nem alkalmas álló gyalugépként való használatra.

A termék csak jól szellőző helyeken használható.

A terméket magáncélú felhasználásra tervezték. Ne használja a terméket a rendeltetésétől eltérő célra.

### ▲ FIGYELEM

**Figyelmesen olvassa el az ehhez a szerszámhoz mellékelt összes figyelmeztetést, utasítást és műszaki adatokat, valamint tanulmányozza az ábrákat is.** Az alább részletezett előírások be nem tartása olyan baleseteket okozhat, mint pl. tűz, áramütés és/vagy súlyos testi sérülések.

A jövőbeli felhasználásra őrizze meg az összes figyelmeztetést és útmutatót.

### GYALUGÉP BIZTONSÁGI FIGYELMEZTETÉSEI

- **Mielőtt letenné a gépet, várja meg, amíg a fűrészlap megáll.** A szabadon álló forgó vágóeszköz beakadhat a felületbe, ami az irányítás elvesztéséhez és súlyos sérüléshez vezet.
- **A munkadarabot szorítókkal vagy más módon rögzítse egy megfelelő megtámasztást is biztosító stabil felületen.** Ha a munkadarabot a kezébe fogja, vagy a testének támasztja, az instabil marad és a gép irányíthatatlanná válásához vezethet.

### KIEGÉSZÍTŐ BIZTONSÁGI ELŐÍRÁSOK

- A gépet csak a szigetelő fogófelületeinél fogja. A feszültség alatt lévő vezetékekkel történő érintkezés során a szerszám fém alkatrészei áram alá kerülhetnek, minek következtében a kezelőt áramütés érheti.
- A munkavégzéskor keletkező por ártalmas lehet. Ne lélegezze be a port. Ilyen esetben ajánlatos a megfelelő elszívó berendezés és a védőmaszk használata. Alaposan távolítsa el a lerakódott port, pl. egy porszívóval.
- Ne távolítsa el a szilánkokat vagy a fűrészpport, amíg a gép forog.
- Csak éles késekkel gyaluljon, kerülje a fémeket (szögek, csavarok). Gyalulás ellenőrizze a munkadarabot.
- Ne hajoljon be a gép veszélyes zónájába, ha az be van dugva a hálózatba.
- Helyezze a gép talpát a munkadarabra és kapcsolja be, mielőtt a gyaluképet érintené a munkadarabot, majd egyenletesen vezesse azon végig.
- A tartólemez V-alakú bevágása az élek biztonságos

letörésére szolgál.

**Megjegyzés:** Az önmagától nyíló, forgatható védőburkolat csak a munkadarabbal vagy a karral emelhető.

**Megjegyzés:** Ne nyúljon az ujjával a porelvezető nyílásba. A forgó kések miatt ez sérülést okozhat.

- Állítsa le a terméket, ellenőrizze, hogy a kés teljesen leállt, majd távolítsa el az akkumulátort mielőtt:
  - Elakadást vagy eltömődést tisztítana
  - Ellenőrizi, tisztítja a terméket, illetve azon bármilyen munkát végez
- Használja a porgyűjtő berendezést vagy csatlakoztasson egy porszívó berendezést a termék használatakor.
- Az eszköz környezeti hőmérséklet-tartománya a működés során: 0°C - 40°C.
- Az eszköz környezeti hőmérséklet-tartománya a tárolás során: 0°C - 40°C.
- A töltőrendszer ajánlott környezeti hőmérséklet-tartománya töltés során: 10°C - 38°C.

### AZ AKKUMULÁTOR KIEGÉSZÍTŐ BIZTONSÁGI FIGYELMEZTETÉSEI

#### ▲ FIGYELEM

A rövidzárlat általi tűz, sérülések vagy termékkárosodások veszélye elkerülésére ne merítse a szerszámot, a cserélhető akkut vagy a töltőkészüléket folyadékokba, és gondoskodjon arról, hogy ne hatoljanak folyadékok a készülékekbe és az akkukba. A korrozív hatású vagy vezetőképes folyadékok, mint pl. a sós víz, bizonyos vegyi anyagok, fehérítők vagy fehérítő tartalmú termékek, rövidzárlatot okozhatnak.

- Az akkumulátor környezeti hőmérséklet-tartománya a használat során: 0°C - 40°C.
- Az akkumulátor környezeti hőmérséklet-tartománya a tárolás során: 0°C - 20°C.

### LÍTIUM AKKUMULÁTOROK SZÁLLÍTÁSA

Az akkumulátorokat a helyi és nemzeti előírásokkal és szabályokkal összhangban szállítsa.

Az elemek külső fél általi szállításakor kövesse a csomagolásra és a címkézésre vonatkozó speciális előírásokat. Ügyeljen arra, hogy az akkumulátorok ne érhessenek más akkumulátorokhoz vagy vezető anyagokhoz szállítás közben; ehhez a szabadon maradt csatlakozókat védje szigetelő fedéllel vagy szalaggal. Ne szállítson repedt vagy szivárgó akkumulátorokat. További információért vegye fel a kapcsolatot a továbbítást végző céggel.

### VISSZAMARADÓ KOCKÁZATOK

Még a termék rendeltetészerű használata esetén sem lehet teljesen kiküszöbölni minden kockázati tényezőt. A gép használata során a következő veszélyek merülhetnek fel, és a kezelőnek különösen oda kell figyelnie az alábbiak elkerülésére:

- Por okozta sérülések





- A termék használata jelentős mennyiségű port és finom szemcsét generál. Használja a porgyűjtő berendezést vagy csatlakoztasson egy porszívó berendezést a termék használatakor. Viseljen pormaszkot, ami a megmunkálendő anyagoknak megfelelő szűrőket tartalmaz Biztosítson megfelelő szellőztetést. Ne egyen, igyon vagy dohányozzon a munkaterületen. A gépet csak a Rendeltetésszerű használat c. részben megadott anyagokon használja. Ne dolgozzon olyan anyagokon (pl. azbeszt) ami egészségügyi kockázatot jelent.
- a zaj és vibráció sérüléseket okozhat
  - A működtetés közben viseljen hallásvédőt. Ne használja hosszabb ideig a terméket. Lásd "Kockázatsökkentés".

EN  
FR  
DE  
ES  
IT  
NL  
PT  
DA  
SV  
FI  
NO  
RU  
PL  
CS

**HU**  
RO  
LV  
LT  
ET  
HR  
SL  
SK  
BG  
UK  
TR  
EL



## KOCKÁZATCSÖKKENTÉS

Ismert, hogy a kézi szerszámgépek használata során fellépő vibráció bizonyos személyeknél hozzájárulhat az úgynevezett Raynaud-szindróma (Raynaud's Syndrome) nevű állapot kialakulásához. A tünetei lehetnek: az ujjak zsibbadása, elfehéredése, szúrások érzése, amelyek hidegnek kitéve gyakran felerősödnek. Az öröklődő tényezők, a hidegnek kitettség és verejtékezés, a diéta, a dohányzás és munka közben alkalmazott fogások valószínűleg mind hozzájárulhatnak ezen tünetek megjelenéséhez. A vibráció hatásainak csökkentése érdekében a kezelőnek be kell tartani az alábbi óvintézkedéseket:

- Hideg időben tartsa melegen a testét. A gép használatakor viseljen kesztyűt a kéz és a csukló melegen tartásához. Arról számoltak be, hogy a hideg időjárásnak fontos szerepe van a Raynaud-szindróma kialakulásában.
- Bizonyos időtartamú használat után mindig végezzen gyakorlatokat a vérkeringés javításához.
- Gyakran tartson munkaszünetet. Korlátozza a napi munkaidőt.

Ha ezen állapot bármelyik tünetét tapasztalja, azonnal hagyja abba a munkát, és tájékoztassa az orvosát a tünetekről.

### FIGYELEM

A gép hosszabb idejű folyamatos használata sérüléseket okozhat vagy súlyosbíthatja a tüneteket. Ha a gépet hosszú időn át kell használnia, tartson gyakran szünetet.

## ISMERJE MEG A TERMÉKET

90. oldal.

1. Rugós késvédő
2. Porelszívó csonk
3. Porfűjást irányító gomb
4. Ravasz kireteszelő gomb
5. Kioldókapcsoló
6. Mélységállító gomb
7. Porfűjás irányát mutató jel
8. Vágásmélység mérce
9. Akkumulátornyílás

10. Fűrészlemez
11. Kitémasztó
12. Szorítókulcs
13. Porzsákillesztő
14. Porzsák
15. Vákuumadapter
16. Oldalsó korlát gombja
17. Oldalsó korlát

## HASZNÁLAT

### A PORELVEZETŐ NYÍLÁS HASZNÁLATA

#### Porszívó használata

Az optimális elszívás biztosítása érdekében csatlakoztasson a porelvezető nyíláshoz egy porelszívó rendszert.

Vákuumadaptert a porelvezető nyílás bármelyik oldalához lehet csatlakoztatni.

- Csatlakoztassa a vákuumadaptert egy porszívóhoz.
- Olyan porszívót használjon, amely megfelel a munkadarabnak.
- Ha olyan port szív el, ami az egészségre ártalmas vagy karcinogén, akkor speciális porszívót használjon.

#### A porzsák használata

Kiseb munkák esetén használja a porzsákokat.

- Illessze a porzsákadaptert a porelvezető nyíláshoz.
- Az optimális porgyűjtés érdekében rendszeresen ürítse ki a porzsákokat.

Távolítsa el az akkumulátort és rendszeresen tisztítsa meg a porelvezető nyílást. Távolítsa el egy megfelelő eszközzel az esetlegesen elzáródást okozó tárgyakat.

**MEGJEGYZÉS:** Ne nyúljon kézzel a porelvezető nyílásba. A forgó alkatrészek miatt ez sérülést okozhat.

## KARBANTARTÁS

### FIGYELEM

Alkatrészek szerelésekor, beállítások végzésekor, tisztításkor, karbantartás végzésekor, illetve használaton kívül mindig húzza ki a gépet az elektromos hálózatból. Ha a terméket leválasztja az áramellátásról, megakadályozza a véletlen elindítást, ami komoly sérülést okozhat.

### FIGYELEM

Szervizeléskor csak a gyártó eredeti cserealkatrészeit, kiegészítőit és rátéiteit használja. Bármilyen más alkatrész használata veszélyes és a termék károsodását okozhatja.

- A műanyag részek tisztításakor tartózkodjon a tisztítószeresek használatától. A kereskedelmi forgalomban kapható oldószerek rongáló hatással vannak a műanyagból készült elemek többségére. A por és egyéb szennyeződések stb. tisztítására használjon egy tiszta ruhadarabot.



### ⚠ FIGYELEM

A műanyag részek semmilyen körülmények között nem érintkezhetnek fékolajjal, benzinnel, petróleum alapú termékekkel, beszívódó olajokkal stb. Ezek a vegyszerek olyan vegyületeket tartalmaznak, melyek megrongálhatják, meglágyíthatják vagy lebonthatják a műanyagból készült részeket, ami súlyos testi sérüléseket is okozhat.

### ⚠ FIGYELEM

A nagyobb biztonság és megbízhatóság érdekében minden javítást hivatalos szervizközpontban kell elvégeztetni.

- Elektromos szerszámgépek használatakor vagy a por kifúvásakor mindig viseljen védőszemüveget, ami a szemet oldalról is védi. Ha a használat poros környezetben történik, vegyen fel egy pormaszkot is.
- Cserélje az elkopott késeket újakra.
- A kés éles és a vágás után forró lehet. A kés tisztítását rendkívüli óvatossággal végezze. A személyi sérülések elkerülése érdekében viseljen kesztyűt.

### KENÉS

A termékben lévő összes csapágy a termék teljes élettartamára elegendő kenőanyaggal van feltöltve, normál körülmények közötti használat esetén. Ebből kifolyólag nincs szükség arra, hogy a gép belső részeit kenje.

### KÖRNYEZETVÉDELEM



Segítse elő az alapanyagok újrahasznosítását azzal, hogy nem helyezi el őket a háztartási szemétkosárba. Környezetvédelmi megfontolásból az elhasznált gépet és tartozékokat, valamint a csomagolóanyagokat szelektív módon kell gyűjteni.

### SZIMBÓLUMOK A TERMÉKEN



Biztonsági figyelmeztetés



Üresjáratú fordulatszám



Volt



Egyenáram



A gép bekapcsolása előtt figyelmesen olvassa el az útmutatót.



CE megfelelés



Eurázsiai megfelelési jelzés



Ukrainai megfelelési nyilatkozat



Maximális gyalulási teljesítmény



Maximális gyalulási teljesítmény



Viseljen szemvédőt



A kiselejtezett elektromos termékeket nem szabad a háztartási hulladékkal együtt kidobni. Ezeket újra kell hasznosítani, ha van rá lehetőség. Az újrahasznosítással kapcsolatban érdeklődjön a helyi önkormányzatnál vagy a termék forgalmazójánál.

### A KÉZIKÖNYVBEN HASZNÁLT SZIMBÓLUMOK



Megjegyzés



Külön értékesített alkatrészek és kiegészítők



Szétnyitás



Retes

A következő jelölőszavak és jelentések arra szolgálnak, hogy megmagyarázzák a termékkel kapcsolatos veszélyességi szinteket.

### ⚠ VESZÉLY

Egy bekövetkező veszélyes helyzetet jelez, ami, ha nem előzik meg, halált vagy komoly sérülést eredményez.

### ⚠ FIGYELEM

Egy potenciálisan bekövetkező veszélyes helyzetet jelez, ami, ha nem előzik meg, halált vagy súlyos sérülést eredményezhet.

### ⚠ VIGYÁZAT

Egy potenciálisan veszélyes helyzetet jelez, ami, ha nem előzik meg, kisebb vagy mérsékelt súlyos sérülést eredményezhet.

### VIGYÁZAT

(Biztonsági figyelmeztető szimbólum nélkül) Egy olyan helyzetet jelez, ami anyagi kárt eredményezhet.



Au fost acordate priorități maxime asupra siguranței, performanței și fiabilității în proiectarea rindei dvs.

## DOMENIU DE APLICAȚII

Organizatorul a fost gândit pentru utilizarea de către persoanele adulte care au citit și au înțeles instrucțiunile și avertismentele din acest manual și care pot fi considerate responsabile pentru propriile acțiuni.

Produsul este destinat doar pentru rindeluirea lemnului (îndepărtarea unui strat neted pentru a asigura o finisare fină și dreaptă) și pentru fălțuirea lemnului.

Produsul nu este destinat a fi folosit pentru rindeluirea staționară.

Produsul trebuie folosit doar în zone bine aerisite.

Produsul este destinat exclusiv consumatorilor. Nu folosiți produsul în niciun alt fel decât cel menționat pentru folosirea lui destinată.

## ⚠️ AVERTISMENT

**Citiți, cu atenție, toate avertismentele, instrucțiunile și specificațiile furnizate împreună cu aparatul, și consultați ilustrațiile.** Nerespectarea instrucțiunilor prezentate în continuare poate provoca accidente cum ar fi incendii, electrocutare și/sau vătămări corporale grave.

Salvați toate avertizările și instrucțiunile pentru o consultare ulterioară.

## AVERTISMENTE DE SIGURANȚĂ PRIVIND MAȘINA DE RINDELUIT

- **Înainte de a lăsa jos scula, așteptați ca dispozitivul de tăiere să se oprească.** Un cuțit rotativ neacoperit ar putea angaja suprafața, ducând la posibilitatea pierderii controlului și vătămare gravă.
- **Folosiți cleme sau alte metode practice pentru a fixa și sprijini piesa de lucru pe o platformă stabilă.** Ținerea piesei de lucru în mână sau lipită de corp o face instabilă și poate duce la pierderea controlului.

## REGULI SUPLIMENTARE DE SIGURANȚĂ

- Prindeți aparatul doar de suprafețele de prindere izolate. Tăierea unui conductor sub curent poate expune la curent părțile metalice ale unelei electrice și poate conduce la electrocutarea operatorului.
- Praful care apare când se lucrează cu această sculă poate fi dăunător sănătății. Nu inhalați praful. Utilizați un sistem de absorbție a prafului și purtați o mască de protecție împotriva prafului. Îndepărtați complet praful depus, de exemplu, cu un aspirator.
- Nu îndepărtați așchile sau praful de pe fierăstrău în timp ce aparatul funcționează.
- Doar suprafață plană cu lame ascuțite, evitați metalele (cuie, șuruburi). Verificați piesa de lucru înainte de rindeluire.
- Nu vă aplecați în zona periculoasă a unelei atunci când este în priză.
- Plasați placa frontală a mașinii pe piesa de prelucrat și

porniți-o înainte ca lama tăietoare să atingă piesa, apoi ghidați-o uniform pe suprafața acesteia.

- Crestătura în forma de V din partea frontală a plăcii de bază asigură șanfenarea în siguranță a muchiilor.

**Notă:** Dispozitivul de protecție pivotant trebuie să fie ridicat doar de piesa prelucrată sau cu ajutorul manetei.

**Notă:** Nu introduceți degetele în conectorul pentru evacuarea prafului. Vă puteți răni prin contactul cu lamele de tăiere rotative.

- Opriți produsul, asigurați-vă că lamele tăietoare s-au oprit complet și îndepărtați acumulatorul înainte de:
  - Îndepărtarea unui blocaj sau eliminarea rumegușului
  - Verificarea, curățarea sau repararea produsului
- Folosiți dispozitivul de colectare al prafului sau conectați aspiratorul de extragere al prafului atunci când operați produsul.
- Temperatura ambientală în timpul funcționării unelei trebuie să fie cuprinsă între 0°C și 40°C.
- Temperatura ambientală în timpul depozitării unelei trebuie să fie cuprinsă între 0°C și 40°C.
- Temperatura ambientală în timpul încărcării unelei trebuie să fie cuprinsă între 10°C și 38°C.

## AVERTISMENTE SUPLIMENTARE PRIVIND SIGURANȚA LA UTILIZAREA BATERIILOR

### ⚠️ AVERTISMENT

Pentru a reduce pericolul unui incendiu și evitarea rănilor sau deteriorarea produsului în urma unui scurtcircuit nu imersați scula, acumulatorul de schimb sau încărcătorul în lichide și asigurați-vă să nu pătrundă lichide în aparate și acumulatori. Lichidele corosive sau cu conductibilitate, precum apa sărată, anumite substanțe chimice și înalbitori sau produse ce conțin înalbitori, pot provoca un scurtcircuit.

- Temperatura ambientală în timpul utilizării bateriei trebuie să fie cuprinsă între 0°C și 40°C.
- Temperatura ambientală în timpul depozitării bateriei trebuie să fie cuprinsă între 0°C și 20°C.

## TRANSPORTAREA ACUMULATORILOR PE LITIU

Transportați bateria în conformitate cu prevederile și reglementările locale și naționale.

Urmați toate cerințele speciale de pe ambalaj și etichete atunci când transportați acumulatorii la o parte terță. Asigurați-vă că în timpul transportului nicio baterie nu vine în contact cu alte baterii sau materiale conducătoare de electricitate prin protejarea bornelor expuse cu bandă sau capace izolatoare non conducătoare de electricitate. Nu transportați acumulatori ce sunt crăpați sau au scurgeri. Verificați cu compania de transport pentru sfaturi ulterioare.

## RISURI REZIDUALE

Chiar dacă produsul este folosit așa cum este descris, este totuși imposibil să se elimine complet anumiți factori de risc reziduali. Următoarele pericole ar putea apărea în timpul folosirii iar operatorul trebuie să acorde o atenție specială



pentru a evita următoarele:

- Vătămare cauzată de praf.
  - Folosind produsul se va produce o cantitate considerabilă de praf și particule fine. Folosiți dispozitivul de colectare al prafului sau conectați aspiratorul de extragere al prafului atunci când operați produsul. Purtați mască de praf conținând filtre potrivite pentru materialele la care se va lucra. Asigurați aerisire adecvată la locul de muncă. Nu mâncați, beți sau fumați în zona de lucru. Se va lucra numai pe materialele specificate la secțiunea Utilizare intenționată. Nu operați pe materiale (de ex. azbest) care prezintă pericol pentru sănătate.
- vătămare cauzată de zgomot și vibrații.
  - Purtați protecție pentru urechi în timpul lucrului. Nu operați produsul pentru perioade lungi de timp. Vezi „Reducerea Riscului”

## REDUCEREA RISCULUI

S-a reținut că vibrațiile de la sculele de mână pot contribui la starea numită Sindromul lui Raynaud, la anumite persoane. Simptomele pot include furnicături, amorțeală și albirea degetelor, care apare, de obicei, după expunerea la frig. Factori ereditari, expunerea la frig și umiditate, dieta, fumatul și practicile de muncă contribuie la dezvoltarea acestor simptome. Există măsurător care pot fi efectuate de către operator pentru a reduce efectele de vibrațiilor:

- Păstrați-vă temperatura corporală ridicată pe vreme rece. Când operați unitatea purtați mănuși pentru a vă menține mâinile și încheieturile la căldură. S-a constatat că vremea rece este un factor major care contribuie la sindromul Raynaud.
- După fiecare perioadă de operare, trebuie făcute exerciții pentru a crește circulația sângelui.
- Trebuie făcute pauze la intervale de timp regulate. Limitați expunerea zilnică.

Dacă sunt experimentate oricare dintre simptomele acestei afecțiuni, trebuie întreruptă utilizarea și consultat un medic.

### ⚠ AVERTISMENT

Poti fi cauzate, sau agravate vătămări prin folosirea prelungită a sculei. Atunci când folosiți o sculă pentru perioade prelungite, asigurați-vă că luați pauze regulate.

## CUNOAȘTEȚI-VĂ PRODUSUL.

Salt la pagina nr. 90.

1. Dispozitiv de protecție cu arc de repoziționare
2. Cap de aspirare
3. Buton rotativ pentru direcționarea fluxului de praf
4. Butonul de deblocare a butonului de pornire
5. Declanșator
6. Buton rotativ pentru ajustarea adâncimii
7. Marcaj pentru indicarea direcției fluxului de praf
8. Scală de adâncime
9. Port acumulator
10. Lamă
11. Dispozitiv anti-recul
12. Cheie de serviciu

13. Adaptor pentru sacul de praf
14. Sac pentru praf
15. Adaptor pentru aspirator
16. Buton rotativ pentru apărătoarea laterală
17. Apărătoare laterală

## OPERAREA

### UTILIZAREA CONECTORULUI PENTRU PRAF

#### Utilizarea unui aspirator

Conectați conectorul pentru praf la un sistem de aspirație pentru a asigura o extracție optimă.

Un adaptor pentru aspirator poate fi atașat pe oricare parte a conectorului pentru praf.

- Conectați adaptorul pentru aspirator la un aspirator.
- Utilizați un aspirator adecvat pentru materialul prelucrat.
- Utilizați un aspirator special atunci când aspirați pulberi nocive sau carcinogene.

#### Utilizarea sacului pentru praf

Utilizați sacul pentru praf pentru operații de mică anvergură.

- Introduceți adaptorul sacului pentru praf în conectorul pentru praf.
- Goliți sacul de praf în mod regulat pentru a asigura colectarea optimă a prafului.

Deconectați bateria și curățați în mod regulat conectorul pentru praf. Îndepărtați orice obiect care obturează traseul de aspirație cu ajutorul unei unelte adecvate.

**NOTĂ:** Nu introduceți mâinile în conectorul pentru praf. Riscați să fiți rănit de piese aflate în mișcare.

## ÎNTREȚINEREA

### ⚠ AVERTISMENT

Produsul nu trebuie conectat niciodată la priză atunci când asamblați părțile, faceți reglaje, curățați sau faceți întreținerea, sau atunci când părodsul nu este folosit. Deconectarea produsului de la alimentare va preveni pornirea accidentală, care poate provoca răni grave.

### ⚠ AVERTISMENT

La efectuarea service-ului, folosiți doar piese de schimb, accesorii și atașamente originale ale producătorului. Utilizarea altor piese poate crea situații periculoase sau poate conduce la deteriorarea produsului.

- Evitați utilizarea solvenților atunci când curățați piesele din plastic. Majoritatea materialelor plastice pot să fie deteriorate prin utilizarea unor solvenți vânduți în comerț. Utilizați o cârpă curată pentru a curăța murdăriile, praful etc.



### ⚠️ AVERTISMENT

Nu lăsați niciun moment ca lichidele de frână, produsele pe bază de petrol, uleiurile penetrante etc să intre în contact cu părțile din plastic. Aceste produse chimice conțin substanțe care pot distruge, fragiliza sau deteriora plasticul.

### ⚠️ AVERTISMENT

Pentru o mai mare siguranță și încredere, toate reparațiile trebuie să se facă la un centru de servicii autorizat.

- Atunci când operați scula electrică sau când îndepărtați praful, purtați întotdeauna ochelari de protecție sau ochelari de protecție cu apărători laterali. Dacă mediul de lucru este plin de praf, purtați întotdeauna o mască împotriva prafului.
- Înlocuiți lamele uzate cu unele noi.
- Lama tăietoare are margini ascuțite și poate avea temperaturi ridicate după efectuarea operațiilor de tăiere. Procedați cu maximă precauție la curățarea lamei tăietoare. Purtați mănuși pentru a vă proteja împotriva rănirii.

### LUBRIFIEREA

Toți rulmenții din interiorul produsului sunt lubrifiați cu o cantitate suficientă de lubrifiant de calitate înaltă pentru durata produsului în condiții normale de folosire. În consecință, nici o ungere suplimentară nu este necesară.

### PROTECȚIA MEDIULUI ÎNCONJURĂTOR



Reciclați materiile prime în loc să le aruncați la gunoi, împreună cu deșeurile menajere. Pentru a proteja mediul înconjurător, mașina, accesoriile acesteia și ambalajele trebuie triate.

### SIMBOLURILE DE PE PRODUS.



Alertă de siguranță



Viteză în gol



Volți



Curent continuu



Vă rugăm citiți instrucțiunile cu atenție înainte de pornirea aparatului.



Conformitate CE



Marcaj de conformitate EurAsian



Semn de conformitate ucrainean



Capacitate maximă de rindeluire



Capacitate maximă de rindeluire



Purtați echipamente de protecție a vederii



Deșeurile produselor electrice nu trebuie să fie eliminate împreună cu deșeurile casnice. Vă rugăm să reciclați acolo unde există facilități. Verificați la autoritatea dvs locală sau la vânzător pentru sfaturi privind reciclarea.

### SIMBOLURILE DIN MANUAL



Notă



Piese sau accesorii vândute separat



Deblocare



Piedică

Rmătoarele cuvinte simbol și înțelesul lor au intenția de a explica nivelele de risc asociate cu acest produs.

### ⚠️ PERICOL

Indică o situație imediată de pericol, care dacă nu este evitată va rezulta în deces sau rănire gravă.

### ⚠️ AVERTISMENT

Indică o situație potențială de pericol, care dacă nu este evitată poate rezulta în deces sau rănire gravă.

### ⚠️ PRECAUȚIE

Indică o situație potențial periculoasă, care dacă nu este eviată, poate rezulta în vătămare minoră sau moderată.

### PRECAUȚIE

(Fără simbol de alertă de siguranță) Indică o situație ce poate rezulta în distrugerea proprietății.



Drošība, sniegums un uzticamība ir augstākā prioritāte ēveles izstrādē.

## PAREDZĒTĀ LIETOŠANA

Ēvele ir paredzēta lietošanai tikai pieaugušajiem, kas ir izlasījuši un izpratuši norādes un brīdinājumus šajā rokasgrāmatā, un var tikt uzskatīti par atbildīgiem par savām darbībām.

Ierīce ir paredzēta vienīgi koka ēvelēšanai (vienmērīgas kārtas noņemšanai, lai virsmu padarītu līdzenu un gludu) un groņu veidošanai.

Produkts nav paredzēts stacionārai ēvelēšanai.

Preci jāizmanto tikai labi ventilētās vietās.

Produkts paredzēts tikai patērētāju lietošanai. Neizmantojiet ierīci citiem mērķiem, bet tikai tam paredzētajiem.

## ⚠ BRĪDINĀJUMS

Izlasiet visus drošības brīdinājumus, instrukcijas, specifikācijas un apskatiet attēlus šī elektroinstrumenta dokumentācijā. Visu uzskaitīto instrukciju neievērošana ir bīstama; tā var izraisīt elektrisko triecienu, aizdegšanos un/vai nopietnas traumas.

Visus brīdinājumus un norādījumus saglabājiet turpmākām uziņām.

## ĒVELES DROŠĪBAS BRĪDINĀJUMI

- **Pirms nolikt instrumentu, sagaidiet, līdz griezējinstrumentam apstājas.** Atklāts rotējošs asmens var skart virsmu, novedot pie iespējamās uzmanības zaudēšanas un nopietna ievainojuma.
- **Izmantojiet skavu vai citus praktiskus veidus kā nodrošināt un nostiprināt darba rīku uz stabilas virsmas.** Turot darbarīku rokās vai tuvu ķermenim, padara to nestabilu un var novest pie uzmanības zaudēšanas.

## PAPILDU DROŠĪBAS NOTEIKUMI

- Turiet rīku tikai uz izolētām, neslīdošām virsmām. Spriegumaktīva vada pārgriešana var elektroinstrumentu metālas daļas padarīt "spriegumaktīvas", un operators var saņemt elektriskās strāvas triecienu.
- Putekļi, kas radušies šī darbarīka lietošanas rezultātā, var būt kaitīgi veselībai. Neieelpojiet putekļus. Izmantojiet putekļu savākšanas sistēmu un valkājiet piemērotu putekļu aizsargmasku. Rūpīgi noņemiet nogulsņējušos putekļus, piemēram, ar putekļsūcēju.
- Nenoņemiet skaidas vai zāģu skaidas, kamēr rīks joprojām darbojas.
- Ēvelējiet tikai ar asiem asmeņiem, izvairieties no metāla (naglam, skrūvēm). Pirms ēvelēšanas pārbaudiet apstrādājamo materiālu.
- Izvairieties atrasties rīka bīstamajā zonā, kad tas pievienots strāvai.
- Novietojiet ierīces priekšējo plāksni uz apstrādājamās virsmas un ieslēdziet to, pirms ēveles asmens pieskaras

virsmai, tad vienmērīgi virziet ēveli pāri apstrādājamam gabalam.

- V-veida ierobe atbalsta plāksnes priekšpusē nodrošina drošu malu ēvelēšanu.

**Piezīme:** Atveramo aizsargu drīkst atvērt tikai apstrādājot virsmu, vai ar sviras palīdzību.

**Piezīme:** Nelieciet pirkstus iekšā putekļu izmešanas atverēs. Tos var savainot ar rotējošiem asmeņiem.

- Apturiet izstrādājumu, pārliecinieties, ka asmens pilnīgi apstājas un noņemiet akumulatoru bloku, pirms:
  - Iztīrīt nosprostojumus vai grūzus
  - Pārbaudīt, tīrīt vai darboties ar izstrādājumu
- Darbinot precī, izmantojiet putekļu savākšanas ierīces vai savienojiet ar rūpniecisko putekļu savācēju.
- Apkārtējās vides temperatūras diapazons instrumentam lietošanas laikā ir starp 0°C un 40°C.
- Apkārtējās vides temperatūras diapazons instrumenta uzglabāšanai ir starp 0°C un 40°C.
- Ieteicamais apkārtējās vides temperatūras diapazons lādēšanas sistēmai uzlādes laikā ir starp 10°C un 38°C.

## PAPILDU AKUMULATORU BLOKA DROŠĪBAS BRĪDINĀJUMI

### ⚠ BRĪDINĀJUMS

Lai novērstu īssavienojuma izraisītu aizdegšanās, savainojumu vai produkta bojājuma risku, neiegremdējiet instrumentu, maināmo akumulatoru vai uzlādes ierīci šķidrumos un rūpējieties par to, lai ierīcēs un akumulatoros neieklejūtu šķidrums. Koroziju izraisoši vai vadītspējīgi šķidrums, piemēram, sālsūdens, noteiktas ķīmikālijas, balinātāji vai produkti, kas satur balinātājus, var izraisīt īssavienojumu.

- Apkārtējās vides temperatūras diapazons akumulatoram lietošanas laikā ir starp 0°C un 40°C.
- Apkārtējās vides temperatūras diapazons akumulatora uzglabāšanai ir starp 0°C un 20°C.

## LITIJA AKUMULATORU PĀRVADĀŠANA

Pārvadājiet akumulatoru saskaņā ar vietējiem un valsts nosacījumiem un noteikumiem.

Ja akumulatoru pārvadāšanu veic trešā puse, ievērojiet visas īpašās prasības par iepakojšanu un marķēšanu. Transportējot nodrošiniet, lai akumulatori nesaskaras ar citiem akumulatoriem vai vadošiem materiāliem, atsegtos savienotājus aizsargājot ar izolējošiem, nevadošiem vāciņiem vai lenti. Nepārvietojiet akumulatorus, kas ir iekļūti vai ar noplūdi. Konsultējieties ar pārsūtīšanas uzņēmumu.

## PALIEKOŠIE RISKI

Pat tad, ja ierīce tiek lietota, kā aprakstīts, joprojām nav iespējams pilnībā novērst atsevišķus riska faktorus. Lietošanas laikā var rasties šādas briesmas un strādniekam īpaša uzmanība jāpievērš šim:

- Putekļu izraisītas traumas
  - Preces izmantošana radīs ievērojamu daudzumu





puteķļu un sīku daļiņu. Darbinot precī, izmantojiet puteķļu savākšanas ierīces vai savienojiet ar rūpniecisko puteķļu savācēju. Nēsājiet puteķļu aizsargmaskas, kurām ir materiāliem, ar kuriem strādāsi atbilstoši filtri. Darba vietā nodrošiniet atbilstošu ventilāciju. Darba vietā neēdiet, nedzeriet un nesmēķējiet. Izmantojiet tikai uz materiāliem, kas norādīti sadaļā Paredzētais pielietojums. Nedarbiniet ar materiāliem (piem., azbestiem), kuri ir bīstami veselībai.

- trokšņa un vibrācijas radīti savainojumi
  - Lietošanas laikā valkājiet dzirdes aizsarglīdzekļus. Nedarbiniet precī ilgstoši. Skatīt "Risku Samazināšana".

### RISKA SAMAZINĀŠANA

Ir ziņots, ka rokās turamu preču vibrācijas dažām personām var veicināt „Reino sindromu”. Simptomi var ietvert pirkstu tīnkšķēšanu, nejutīgumu un nobālēšanu, parasti aukstā laikā. Tiek uzskatīts, ka tradicionālie faktori, aukstums un mitrums, uzturs, smēķēšana un darba prakse sekmē šo simptomu attīstību. Operatori var veikt pasākumus, lai iespējami samazinātu vibrācijas efektu:

- Aukstā laikā ķermeņim jābūt siltam. Darbinot ierīci, nēsājiet cimdus, lai rokas un plaukstas locītavas būtu siltas. Ir pētījumi, ka auksts laiks ir galvenais faktors, kas veicina Reino sindromu.
- Ik pēc laika apturiet darbu un veiciet vingrinājumus, kas uzlabo asins cirkulāciju.
- Strādājot jābūt biežiem pārtraukumiem. Ierobežojiet iedarbības ilgumu dienā.

Ja jūs izjūtat kādu no šiem simptomiem, nekavējoties apturiet ierīces lietošanu un sazinieties ar ārstu par šiem simptomiem.

### ⚠ BRĪDINĀJUMS

Ilgstoša instrumenta lietošana var izraisīt traumas vai pasliktināt veselības stāvokli. Ilgstoši lietojot jebkuru instrumentu, pārliecinieties, ka tiek veikti regulāri pārtraukumi.

### IERĪCES IEPAZĪŠANA

Skatīt 90. lpp.

1. Atsperots asmens aizsargs
2. Puteķļu nopūtējs
3. Puteķļu plūsmas virziena poga
4. Drošinātāja poga
5. Palaišanas slēdzis
6. Dzīļuma regulēšanas poga
7. Puteķļu plūsmas virziena atzīme
8. Dzīļuma skala
9. Akumulatora savienojuma ligzda
10. Ripa
11. Atbalsta statnis
12. Uzgrieznis
13. Puteķļu savākšanas maisa adapteris
14. Puteķļu soma
15. Nosūkšanas caurules adapteris

16. Sānu ierobežotāja skrūve

17. Sānu ierobežotājs

### EKSPLUATĀCIJA

#### PUTEĶĻU SAVĀKŠANAS PIESLĒGVIETAS IZMANTOŠANA

##### Puteķļsūcēja izmantošana

Pievienojiet puteķļu savākšanas pieslēgvietu pie puteķļu nosūkšanas sistēmas, lai nodrošinātu optimālu nosūkšanu.

Nosūkšanas caurules adapteru var pievienot puteķļu savākšanas pieslēgvietas jebkurā pusē.

- Pievienojiet nosūkšanas caurules adapteru pie puteķļsūcēja.
- Izmantojiet darba materiālam piemērotu puteķļsūcēju.
- Veselībai kaitīgu vai kancerogēnu sausu puteķļu likvidēšanai izmantojiet īpašu puteķļsūcēju.

##### Puteķļu maisa izmantošana

Mazākiem darbiem izmantojiet puteķļu maisu.

- Ievietojiet puteķļu maisa adapteru puteķļu savākšanas pieslēgvietā.
- Regulāri iztukšojiet puteķļu maisu, lai notiktu optimāla puteķļu savākšana.

Izņemiet akumulatoru un regulāri tīriet puteķļu savākšanas pieslēgvietu. Ar piemērotu rīku izņemiet jebkuru iesprūdušo priekšmetu.

**PIEZĪME:** Nebāziet iekšā puteķļu savākšanas pieslēgvietā rokas. Rotējošās daļas var radīt traumu.

### APKOPE

#### ⚠ BRĪDINĀJUMS

Produktu nekad nedrīkst pievienot barošanas padevei, veicot daļu montāžu, regulēšanu, tīrīšanu vai apkopi, kā arī laikā, kad tas netiek izmantots. Elektrības vada atvienošana no sprieguma padeves novērsīs nejašu ieslēgšanu, kas var izraisīt smagus ievainojumus.

#### ⚠ BRĪDINĀJUMS

Saņemot, izmantojiet tikai oriģinālas ražotāja rezerves daļas, piederumus un pielikumus. Jebkādi citu detaļu izmantošana var izraisīt bīstamību vai produkta bojājumus.

- Tīrot plastmasas daļas, izvairieties no šķīdinātāji lietošanas. Vairums plastmasu ir jutīgas pret dažāda veida pārdošanā esošajiem šķīdinātājiem un to izmantošanas rezultātā var tikt bojātas. Izmantojiet tīru drānu, lai notīrītu netīrumus, oglekļa puteķļus utt.

EN
FR
DE
ES
IT
NL
PT
DA
SV
FI
NO
RU
PL
CS
HU
RO
<b>LV</b>
LT
ET
HR
SL
SK
BG
UK
TR
EL



### ⚠ BRĪDINĀJUMS

Nekādā gadījumā plastmasas daļām neļaujiet nonākt saskarē ar bremžu šķidrums, benzīnu, naftas izstrādājumiem, eļļām ar paaugstinātu mitrināšanas spēju utt. Ķīmikālijas var sabojāt, novājināt vai iznīcināt plastmasu, kas var izraisīt nopietnas personīgās traumas.

### ⚠ BRĪDINĀJUMS

Lielākas drošības un uzticamības labad visi remontu jāveic pilnvarotā apkopes centrā.

- Elektroinstrumenta darbības vai putekļu pūšanas laikā vienmēr izmantojiet aizsargbrilles vai drošības brilles ar sānu aizsargiem. Ja darbība ir saistīta ar putekļu rašanos, uzlieciet arī putekļu masku.
- Nomainiet nolietotos asmeņus ar jauniem.
- Asmenim ir asas malas, pēc ēvelēšanas tas var būt sakarsis. Tīrot atklātu asmeni, ievērojiet īpašu piesardzību. Valkājiet cimdus, lai aizsargātos no ievainojumiem.

### EĻĻOŠANA

Visi izstrādājuma gultņi tiek eļļoti ar pietiekamu augstas kvalitātes smērvielas daudzumu, lai nodrošinātu produkta kalpošanas laiku normālos lietošanas apstākļos. Tāpēc papildu eļļošana nav nepieciešama.

### VIDES AIZSARDZĪBA



Tā vietā, lai izejmateriālus izmestu atkritumos, nododiet tos atsevišķai pārstrādei. Mašīna, aksesuāri un iepakojums ir jāsašķiro un jānodod videi draudzīgā atkārtotas pārstrādes vietā.

### UZ PRECES ESOŠIE SIMBOLI



Drošības brīdinājums



Apgrīzieni bez slodzes



Volti



Līdzstrāva



Pirms iedarbināt mašīnu, lūdzu rūpīgi izlasiet instrukcijas.



CE atbilstība



EurAsian atbilstības marķējums



Ukrainas apstiprinājuma zīme



Maksimālā ēvelēšanas jauda



Maksimālā ēvelēšanas jauda



Valkājiet acu aizsarglīdzekļus



Izlietotie elektroprodukti nedrīkst tikt izmesti kopā ar majsaimniecības atkritumiem. Lūdzu, nododiet tos attiecīgajās atkārtojamās izmantošanas vietās. Sazinieties ar savu vietējo varas pārstāvi vai izplatītāju, lai noskaidrotu, kur iespējama atkārtota pārstrāde.

### SIMBOLI ROKASGRĀMATĀ



Piezīme



Atsevišķi nopērkamās daļas vai piederumi



Atbloķēt



Bloķētājs

Lai izskaidrotu risku, kas saistīti ar izstrādājumu, līmeni, paredzēti šādi norādījuma vārdi un jēdzieni.

### ⚠ BĪSTAMI

Norāda uz nenovēršami bīstamu situāciju, kas, ja netiks novērsta, izraisīs nāvi vai nopietnus miesas bojājumus.

### ⚠ BRĪDINĀJUMS

Norāda uz potenciāli bīstamu situāciju, kas, ja netiks novērsta, var izraisīt nāvi vai nopietnus miesas bojājumus.

### ⚠ UZMANĪBU

Norāda uz potenciāli bīstamu situāciju, kas, ja netiek novērsta, var izraisīt vieglus vai vidējus miesas bojājumus.

### UZMANĪBU

(Bez drošības trauksmes simbola), kas norāda, uz situāciju, kas var novest pie īpašuma bojājuma.



Projektuojant obliavimo stakles, didžiausias prioritetas suteiktas saugai, eksploatacinėms savybėms ir patikimumui.

## NAUDOJIMO PASKIRTIS

Šis obliavis skirtas naudoti tik suaugusiems, kurie yra perskaitę ir supratę šiame vadove pateiktus nurodymus bei įspėjimus ir gali būti laikomi atsakingais už savo veiksmus. Gaminys skirtas obliuoti medieną (pašalinti sluoksni, kad paviršius būtų lygus, plokščias) ir joje atlikti išdrožas. Šis įrankis nėra skirtas stacionariam obliavimui. Gaminį galima naudoti tik gerai vėdinamose vietose. Įrenginys skirtas tik asmeniniam naudojimui namų ūkyje. Gaminį galima naudoti tik pagal paskirtį.

### ĮSPĖJIMAS

**Perskaitykite visus saugos įspėjimus, visas instrukcijas, paveikslėlius ir techninius reikalavimus, pateikiamus su šiuo elektriniu įrankiu.** Apačioje išdėstytų instrukcijų nesilaikymas gali sukelti elektros smūgį, gaisrą ir (ar) sunkius sužeidimus.

Kad tinkamai naudotumėte įrankį, žr. visus perspėjimus ir nurodymus.

## ĮSPĖJIMAI DĖL OBLIAVIMO-DROŽIMO STAKLIŲ NAUDOJIMO SAUGOS

- **Prieš padėdami įrankį, palaukite, kol jo pjoviklis sustos.** Atviras besisukantis pjoviklis gali atsitrūkti į paviršių, dėl to įrankis gali tapti nevaldomas ir sukelti sunkius sužeidimus.
- **Spaustuvas ar kitu praktiniu būdu pritvirtinkite ir atremkite ruošinį prie stabilaus paviršiaus.** Ruošinį laikant ranka ar atrėmus į savo kūną, ruošinys yra nestabilus, todėl galite jo nesuvaldyti.

## PAPILDOMOS SAUGOS TAISYKLĖS

- Įrankį laikykite tik už izoliuotų laikymo paviršių. Pjaunant laidą, prijungtą prie maitinimo šaltinio, metalinės elektrinio įrankio detalės gali būti aktyvuotos ir sukelti operatoriui elektros smūgį.
- Šio įrankio naudojimo metu sukeltos dulkės gali būti žalingos jūsų sveikatai. Dulkų negalima įkvėpti. Naudokite dulkių absorbcavimo sistemą ir dėvėkite atitinkamą apsauginę kaukę nuo dulkių. Kruopščiai pašalinkite susikaupusias drožles, pvz. naudojant dulkių siurbį.
- Kai įrankis veikia, nevalykite skeveldrų ar pjuvenų.
- Obliuokite tik aštriomis geležtėmis, venkite kontakto su metalais (vinimis, varžtais). Prieš obliuojant, reikia patikrinti ruošinį.
- Kai įrankis įjungtas, nelieskite pavojingos įrankio vietos.
- Dėkite įrenginio priekinę plokštelę ant ruošinio ir įjunkite obliu, kol jo peilis dar neliečia ruošinio, paskui vienodai stumkite per ruošinį.
- Atraminės plokštelės priekyje esanti „V“ formos įranta užtikrina saugų kraštų nusklembimą.

**Pastaba:** Automatiškai atsidarantis šarnyrinis apsauginis įtaisas turi būti pakeliamas tik ruošinio arba naudojant svirtelę.

**Pastaba:** Nekiškite pirštų į dulkių prievadą. Besisukantys peiliai gali juos sužaloti.

- Išjunkite įrenginį, palaukite, kol peilis visiškai sustos, ir išimkite akumuliatorių, prieš:
  - valydami užsikimšusią žolę arba atkimšdami išmetimo angą
  - tikrindami, valydami arba remontuodami įrenginį
- Apdorojant medžiagas šiuo gaminiu reikia naudoti dulkių surinktuvą arba dulkių siurbį.
- Įrankio darbinės aplinkos temperatūros diapazonas nuo 0°C iki 40°C.
- Įrankio sandėliavimo aplinkos temperatūros diapazonas nuo 0°C iki 40°C.
- Rekomenduojamas įkrovimo sistemų darbinės aplinkos temperatūros diapazonas nuo 10°C iki 38°C.

## PAPILDOMI AKUMULIATORIAUS SAUGOS ĮSPĖJIMAI

### ĮSPĖJIMAS

Siekdami išvengti trumpojo jungimo sukeltą gaisro pavojų, sužalojimų arba produkto pažeidimų, neikiškite įrankio, keičiamo akumuliatoriaus arba įkroviklio į skysčius ir pasirūpinkite, kad į prietaisus arba akumuliatorių nepatektų jokių skysčių. Koroziją sukeliantys arba laidūs skysčiai, pvz., sūrus vanduo, tam tikri chemikalai ir balikliai arba produktai, kurių sudėtyje yra baliklių, gali sukelti trumpąjį jungimą.

- Baterijos darbinės aplinkos temperatūros diapazonas nuo 0°C iki 40°C.
- Baterijos sandėliavimo aplinkos temperatūros diapazonas nuo 0°C iki 20°C.

## LİCIO BATERIJŲ GABENIMAS

Gabenkite bateriją pagal įmonės ir valstybinius reikalavimus ir taisykles.

Gabendama baterijas, trečioji šalis privalo vadovautis ant pakuotės ar etikečių nurodytais specialiaisiais reikalavimais. Pasirūpinkite, kad gabenant baterijos nesusiliestų su kitomis baterijomis ar laidžiomis medžiagomis: ant jungiamųjų elementų uždėkite izoliuojančius, nelaidžius apsauginius dangtelius arba šiuos elementus apvyniokite juosta. Negabenkite įtrūkusių ar pratekančių baterijų. Išsamesnio patarimo kreipkitės į gabentojo įmonę.

## ŠALUTINIS PAVOJUS

Net naudojant gaminį griežtai pagal paskirtį neįmanoma visiškai atmesti kai kurių liktinių rizikos veiksnių. Naudojant gali kilti toliau nurodyti pavojai ir naudotojas turi būti ypatingai atsargus, kad išvengtų šių pavojų:

- Dulkių sukeliama žala
  - Naudojant gaminį susidaro dideli kiekiai dulkių bei smulkiųjų dalelių. Apdorojant medžiagas šiuo gaminiu reikia naudoti dulkių surinktuvą arba



dulkių siurbį. Būtina dėvėti dulkių apsaugines kaukes su specialiais filtrais, skirtais apsaugoti nuo apdorojamų medžiagų. Darbo vieta turi būti tinkamai vėdinama. Darbo vietoje negalima valgyti, gerti ar rūkyti. Apdorokite tik tas medžiagas, kurios yra nurodytos numatytosios naudojimo paskirties skyriuje. Negalima gręžti medžiagų (arba į jas sukti ar išskuti sriegius bei varžtus), kurios kelia pavojų sveikatai (pvz., asbestas).

- triukšmo ir vibracijos sukeliama sužeidimai
  - Dirbdami dėvėkite ausų apsaugas. Gaminio negalima naudoti ilgai. Žr. "Rizikos Veiksnių Mažinimas".

## RIZIKOS MAŽINIMAS

Pranešama, kad rankinių įrankių keliamos vibracijos kai kuriems asmenims gali paskatinti Reino sindromo vystymąsi. Šios ligos požymiai yra pirštų dilgčiojimas, nutirpimas ir pabalimas, paprastai pasireiškiantis nuo šalčio. Šie simptomai vystosi dėl paveldimų veiksnių, nesisaugant nuo šalčio ir drėgmės, dėl mitybos, rūkymo ir darbo praktikos. Operatorius gali imtis šių priemonių, kurios gali sumažinti vibracijos poveikį:

- Apsirenkite kuo šilčiau šaltu oru. Dirbant šiuo prietaisu mūvėkite pirštines, kad plaštakos ir riešiai būtų laikomi šiltai. Turime pranešimų, kad Raynaud sindromas labiausiai vystosi nuo šalto oro sąlygų.
- po darbo kiekvieną kartą pasportuokite, kad pagerėtų kraujo apytaka;
- dažnai darykite darbo pertraukas. Apribokite darbo laikotarpį per dieną.

Jei jums pasireiškia kokie nors šios būklės simptomai, nedelsdami nutraukite darbą ir kreipkitės į gydytoją.

### ⚠ ĮSPĖJIMAS

Ilgai naudojant įrankį, galima susižaloti arba pakenkti sveikatai. Ilgiau naudojant įrankius, reikia reguliariai daryti pertraukas.

## GERAI ĮSMANYKITE APIE GAMINĮ

Žiūrėti 90 psl.

1. Spyrrokuolinis peilio apsauginis įtaisas
2. Dulkių anga
3. Dulkių srauto krypties rankenėlė
4. Blokavimo mygtukas
5. Perjungiklis
6. Gylio reguliavimo rankenėlė
7. Dulkių srauto krypties žymė
8. Gylio skalė
9. Baterijos gnybtas
10. Geležinė
11. Stovas
12. Veržliaraktis
13. Dulkių maišelio adapteris
14. Dulkių maišelis
15. Siurblio adapteris
16. Šoninės pertvaros rankenėlė
17. Šoninė pertvara

## VEIKIMAS

### DULKIŲ PRIEVADO NAUDOJIMAS

#### Dulkių siurblio naudojimas

Prijunkite dulkių prievadą prie dulkių ištraukimo sistemos, kad užtikrintumėte optimalų ištraukimą.

Dulkių siurblio adapterį galima jungti iš bet kurios dulkių prievado pusės.

- Prijunkite dulkių siurblio adapterį prie dulkių siurblio.
- Naudokite dulkių siurbį, kuris yra tinkamas apdirbamos medžiagos dulkėms siurbti.
- Sveikatai pavojingoms arba kancerogeninėms sausoms dulkėms siurbti naudokite specialų dulkių siurbį.

#### Dulkių maišelio naudojimas

Dirbdami mažesnius darbus, naudokite dulkių maišelį.

- Įkiškite dulkių maišelio adapterį į dulkių prievadą.
- Reguliariai ištuštinkite dulkių maišelį, kad dulkės būtų optimaliai surenkamos.

Reguliariai išimkite akumuliatorių ir išvalykite dulkių prievadą. Tinkamu įrankiu pašalinkite bet kokius prievadą užkimšusius objektus.

**PASTABA:** Nekiškite į dulkių prievadą rankų. Besisukančios dalys gali jas sužaloti.

## PRIEŽIŪRA

### ⚠ ĮSPĖJIMAS

Perforatoriaus jokių būdu negalima jungti į maitinimo šaltinį montuojant dalis, reguliuojant, valant, atliekant priežiūros darbus ar jo nenaudojant. Atjungę įrenginį nuo elektros tinklo išvengsite netyčinio paleidimo, kuris gali tapti sunkaus susižalojimo priežastimi.

### ⚠ ĮSPĖJIMAS

Atlikdami techninę priežiūrą, naudokite tik originalias gamintojo atsargines dalis, priedus ir įtaisus. Kitų detalių naudojimas gali sukelti pavojų ar sugadinti įrankį.

- Valydami plastines detales, nenaudokite tirpiklių. Daugelis plastikų jautrūs įvairių tipų komerciniams tirpikliams ir juos naudojant galima pažeisti plastines detales. Valydami purvą, anglies dulkes ir kt. naudokite švarią šluostę.

### ⚠ ĮSPĖJIMAS

Stabdžių skysčiai, gazolinas ir benzino produktai, skvarbi oss alyvos ir pan. jokių būdu negali patekti ant plastiko dalių. Juose yra chemikalų, kurie gali sugadinti, pažeisti arba susilpninti plastiką.

## ⚠ ĮSPĖJIMAS

Kad būtų saugiau ir patikimiau, visus remonto darbus turi atlikti įgaliotasis techninio aptarnavimo centras.

- Dirbdami su elektriniu įrankiu ar kai pučiamos dulkės, visada dėvėkite apsauginius akinius ar akinius su šonine apsauga. Jei darbo metu kyla dulkės, taip pat dėvėkite kaukę nuo dulkių.
- Susidėvėjusias geležtes pakeiskite naujomis.
- Peilis turi aštrias briaunas, be to, po pjovimo jis gali būti įkaitęs. Būkite itin atsargūs, valydami neapsaugotą peilį. Dėvėkite pirštines, kad apsisaugotumėte nuo susižalojimo.

## SUTEPIMAS

Kad įprastomis darbo sąlygomis perforatorius ilgai nesusidėvėtų, visi jo guoliai sutepti reikiamu kiekiu aukštos klasės tepalo. Todėl daugiau jo tepti neboreikia.

## APLINKOS APSAUGA



Žaliavines medžiagas perdirbkite pakartotinai, o ne išmeskite kaip atliekas. Mechanizmas, priedai ir pakuotės turi būti laikomi pakartotinai perdirbti aplinkai nekenksmingu būdu.

## SIMBOLIAI ANT ĮRENGINIO



Saugos perspėjimas

n<sub>o</sub>

Greitis be apkrovimo

V

Voltai



Nuolatinė srovė



Atidžiai perskaitykite instrukcijas prieš pradėdami naudoti mechanizmą.



CE atitiktis



„EurAsian“ atitikties ženklas



Ukrainos atitikties ženklas



Didžiausias obliavimo pajėgumas



Didžiausias obliavimo pajėgumas



Dėvėkite akių apsaugos priemones



Elektrinių produktų atliekos neturi būti metamos kartu su namų ūkio atliekomis. Prašome perdirbkite jas ten, kur yra tokios perdirbimo bazės. Dėl perdirbimo patarimo kreipkitės į savo vietinę savivaldybę ar pardavėją.

## SIMBOLIAI VADOVE



Pastaba



Detalės arba priedai yra parduodami atskirai



Atrakinti



Bloškėtąjs

Šie signaliniai žodžiai yra skirti nurodyti su prietaisu naudojimu susijusio pavojaus lygį.

## ⚠ PAVOJUS

Rodo grėšiančią pavojingą situaciją, kurios neišvengus galima patirti mirtiną arba sunkų sužalojimą,

## ⚠ ĮSPĖJIMAS

Rodo potencialiai pavojingą situaciją, kurios neišvengus galima patirti mirtiną arba sunkų sužalojimą.

## ⚠ ATSARGIAI

Rodo potencialiai pavojingą situaciją, kurios neišvengus galima patirti nesunkų arba vidutinio sunkumo sužalojimą.

## ATSARGIAI

(Be įspėjamojo šauktuko) Reiškia situaciją, kurioje galima sugadinti turtą.



Höövli konstrueerimisel on peaeesmärgiks olnud toote ohutus, tootlikkus ja töökindlus.

### OTSTARBEKOHANE KASUTAMINE

Höövliit tohivad kasutada täiskasvanud, kes on lugenud kasutusjuhendit ja saavad aru selles olevatest juhistest ja hoiatustest, ning kes vastutavad oma tegevuse eest.

Seade on ette nähtud vaid pidu hooüeldamiseks (ühtlase pinna eemaldamiseks, et saada sile ja tasane pind) ja valtsi lõikamiseks.

Toode ei ole kasutatav kohtpaigaldusega hooüeldamiseks.

Seadet tohib kasutada ainult hästi ventileeritud kohas.

Toode on mõeldud üksnes tavatarbijatele. Ärge kasutage seadet ühelgi muul viisil kui mainitud sihtotstarbeks.

### ⚠ HOIATUS

Lugege läbi kõik mehaanilise tööriista kohta esitatud ohuhoiatused ning tutvuge tööriista jooniste ja tehniliste andmetega. Allpool esitatud hoiatuste ja juhiste eiramise puhul on oht saada elektrilööki või raskeid kehavigastusi ning/või tekitada tulekahju.

Hoidke kõik hoiatused ja juhised edaspidiseks juhindumiseks alles.

### HÖÖVELPINGI OHUTUSJUHISED

- Enne tööriista reguleerimist oodake, kuni saeketas peatub. Katmata hooülvil võib pinnaga haarduda ja põhjustada kontrolli kadumise ning raske kehavigastuse.
- Kinnitage toorik kindlale alusele kasutades pitskruvi või muu kinnitiga kinnitamist. Tooriku käega kinnihoidmisel või enda keha vastas hoidmisel ei ole see kindlalt paigal ja võib põhjustada kontrolli kaotamise tööriista üle.

### TÄIENDAVID OHUTUSREEGLID

- Hoidke hooüvit kinni ainult isoleeritud haardepindadest. Pinge all olevatesse juhtmetesse sisselõikamise korral jäävad tööriista isoleerimata metallosad pinge alla ja kasutaja võib saada elektrilöögi.
- Selle masinaga töötamisel tekkiv tolm võib olla tervisele ohtlik. Ärge hingake tolmu sisse. Kandke tolmueraldussüsteemi ja kandke sobivat tolumumaski. Eemaldage kogunenud tolm täielikult, nt tolmuimejaga.
- Ärge püüdke eemaldada kildusid ja hooüvilaaste hooüvit töötamise ajal.
- Kasutage hooüeldamisel ainult teravaid hooüviterasid ja vältige metalli (naelad, kruvid). Kontrollige toorik enne hooüeldamist üle.
- Ärge küünitage end ohtlikku piirkonda kui hooüvit pistik on pistikupesas.
- Asetage masin eesmise plaadiga töödeldavale materjalile ja lülitage sisse enne, kui hooüvit tera puudutab materjali ning seejärel juhtige ühtlaselt üle töödeldava materjali.
- V-soon eesmises tugiplaadis lihtsustab servade faasimist.

**Märkus:** Iseavanevat pöörli kaitset tohib tõsta ainult kas töödeldava detaili või hoovaga.

**Märkus:** Ärge pange sõrmi tolmuvasse. Pöörlevad terad võivad neid vigastada.

- Peatage toode, veenduge, et tera on täielikult peatunud ja eemaldage aku enne:
  - takistuse eemaldamist või ummistuse puhastamist
  - toote kontrollimist, puhastamist või remontimist
- Kasutage seadme kasutamise ajal tolmu kogumiseseadet või ühendage sellele tolmuimeja.
- Tööriista ümbritseva keskkonna temperatuur töö ajal jääb vahemikku 0°C–40°C.
- Tööriista ümbritseva keskkonna temperatuur säilituse ajal on vahemikus 0°C–40°C.
- Selle laadimissüsteemi soovitatav ümbritseva keskkonna temperatuur laadimise ajal on vahemikus 10°C–38°C.

### AKU LISAOHUTUSJUHISED

### ⚠ HOIATUS

Lühisest põhjustatud tuleohtu, vigastuste või toote kahjustuste vältimiseks ärge kastke tööriista, vahetusakut ega laadimiseseadet vedelikku ning jälgige, et vedelikke ei tungiks seadmetesse ega akusse. Korrodeeruvad või elektrit juhtivad vedelikud, nagu soolvesi, teatud kemikaalid ja pleegitusained või pleegitusaineid sisaldavad tooted, võivad põhjustada lühist.

- Akut ümbritseva keskkonna temperatuur kasutamise ajal on vahemikus 0°C–40°C.
- Akut ümbritseva keskkonna temperatuur ladustamise ajal on vahemikus 0°C–20°C.

### LIITUMAKUDE TEISALDAMINE

Akude transportimisel juhendige kasutuskohas kehtivatest ja riiklikest määrustest ja eeskirjadest.

Akude transportimisel allettevõtjate poolt järgige kõiki spetsiaalseid pakkimise ja tähistamise nõudeid. Veenduge, et akud ei satu kokkupuutesse teiste akude ega voolu juhtivate materjalidega, transportimise ajal kaitske klemme voolu mittejuhtivate isoleerkatete või teibiga. Ärge transportige pragunenud või lekkivaid akusid. Küsige lisateavet transportettevõttelt.

### JÄÄKRISKID

Isegi siis, kui seadet kasutatakse kirjeldatud viisil, ei ole võimalik kõrvaldada kõiki jääkriskide mõjureid. Töötamise ajal võivad tekkida järgmised ohud, millele operaator peab pöörama erilist tähelepanu.

- Tolmust põhjustatud kehavigastus
  - Seadme kasutamisel tekib märkimisväärsel määral tolmu ja peenosakesi. Kasutage seadme kasutamise ajal tolmu kogumiseseadet või ühendage sellele tolmuimeja. Kandke hingamismaski, milles on filter vastavalt töödeldavatele materjalidele. Tagage töökohal nõuetekohane ventilatsioon. Ärge töökohal sööge, jooge ega suitsutage. Töödelge vaid neid materjale, mis on määratletud kasutusjuhendi toote sihipärase kasutamise osas. Ärge puurige materjale, mille puhul võib tekkida terviseoht (nt asbest).





- mürast ja vibratsioonist põhjustatud kehavigastus
  - Töötamise ajal kasutage kõrvakaitsmeid. Ärge kasutage seadet pikka aega. Vadake Osa "Riskide Vältimine".

## RISKI ALANDAMINE

Teadadaolevalt võib käsitööriistade kasutamine põhjustada mõnedel inimestel seisundit, mida nimetatakse Raynaud' sündroomiks. Sümptomidena võib ilmneda sõrmede tuimus ja valkjas muutumine, mis tavaliselt ilmneb külmas töötamisel. Nende sümptomite puhul tuleb hoiduda külmast ja niiskusest, dieedist ning suitsetamisest ja kasutada õigeid töövõtteid. Vibratsiooni mõju vähendamiseks tuleb rakendada järgmisi abinõusid.

- Külma ilmaga hoidke oma keha soe. Kandke kindaid, et hoida oma käed ja randmed soojad. Uuringud näitavad, et Raynaud's Syndrome ilmneb põhiliselt külma ilmaga.
- Pärast külmas töötamist tehke harjutusi, et verevarustust kiirendada.
- Tehke regulaarselt töovaheaegasid. Piirake tööperioodi pikkust.

Kui ilmnevad haigustunnused, lõpetage kohe töö ja pöörduge arsti poole.

## ⚠ HOIATUS

Seadme pikaajalisel kasutamisel võite saada kehavigastusi või vigastused võivad süveneda. Seadme kasutamisel pika aja jooksul tuleb teha korralisi vaheaegasid.

## ÕPPIGE OMA TOODET TUNDMA

Vt lk 90.

1. Vedruka terakaitse
2. Tolmuotsak
3. Tolmueemaldussuuna nupp
4. Vabastusnupp
5. Päästik
6. Hõõveldussügavuse reguleerimise nupp
7. Tolmueemaldussuuna märk
8. Sügavusskaala
9. Aku ühenduspesa
10. Saeketas
11. Tallatugi
12. Võti
13. Tolmukoti adapter
14. Tolmukott
15. Tolmukoti adapter
16. Paralleeljuhiku nupp
17. Paralleeljuhik

## KASUTAMINE

### TOLMUAVA KASUTAMINE

#### Tolmuimeja kasutamine

Optimaalse väljatõmbe kindlustamiseks ühendage tolmuava tolmu väljatõmbesüsteemiga.

Tolmuimeja adapteri võib kinnitada tolmuava kummagi poole külge.

- Ühendage tolmuimeja adapter tolmuimejaga.
- Kasutage töös olevale materjalile sobivat tolmuimeajat.
- Tervisele kahjuliku või kantserogeense kuivtolmu jaoks kasutage spetsiaalset tolmuimeajat.

### Tolmukoti kasutamine

Väiksemate tööde jaoks kasutage tolmukotti.

- Pange tolmukoti adapter tolmuavasse.
- Optimaalse tolmu kogumise tagamiseks tühendage tolmukotti regulaarselt.

Eemaldage aku ja puhastage tolmuava regulaarselt.

Eemaldage takistused sobiva töövahendi abil.

**MÄRKUS:** Ärge pange käsi tolmuavasse. Pöörlevad osad võivad neid vigastada.

## HOOLDUS

### ⚠ HOIATUS

Seade ei tohi mingil juhul olla toitepinge all sel ajal kui kinnitate selle osi, teete reguleerimistoiminguid, puhastate või hooldate seadet ning siis kui seda ei kasutata. Toote eemaldamine toitevõrgust hoiab ära ootamatu käivitumise, mis võib põhjustada raskeid vigastusi.

### ⚠ HOIATUS

Kasutage teenindamisel ainult tootja originaalvaruosi, tarvikuid ja tööorganeid. Muude osade kasutamine võib tekitada ohuolukorra ja põhjustada seadme vigastumise.

- Vältige plastosade puhastamisel lahustite kasutamist. Enamik plastide on tundlikud kaubandusvõrgust saadaolevate lahustite suhtes ja võivad nende mõjul oma omadusi kaotada. Tolmust, õlist, määrdet ja muust mustusest puhastamiseks kasutage puhast riidelappi.

### ⚠ HOIATUS

Ärge laske plastosadel mitte mingil juhul sattuda kokkupuutesse auto pidurivedeliku, bensiini, bensiinipõhiste toodete, immutusõlidega või muude samalaadsete vedelikega. Kemikaalid võivad kahjustada, nõrgendada või hävitada plastiku, mis võib omakorda põhjustada vigastusi kasutajale.

### ⚠ HOIATUS

Kõik remonttööd tuleb lasta teha volitatud hoolduskeskuses, et tagada masina ohutus ja töövoime.

- Töötamisel ja tolmu ärapuhumisel kandke alati silmamaski või küljekaitsetega kaitseprille. Kui töötlemine on tolmuine, siis kandke tolumaski.
- Asendage kulunud terad uutega.
- Lõiketera servad on teravad ja võivad pärast hõõveldamist olla kuuma. Olge äärmiselt ettevaatlik, kui puhastate avatud lõiketera. Vigastuste vältimiseks kandke kindaid.

## MÄÄRIMINE

Kõik selle tööriista laagrid on tehases täidetud piisava hulga kvaliteetse määrdega, mis tagab tavatingimustes nende tööviime kogu kasutusea jooksul. Seetõttu ei ole täiendav määrimine vajalik.

## KESKKONNAKAITSE



Taaskasutage materjale nende jäätmekäitluse andmise asemel. Masin, selle lisaseadmed ja pakend tuleb jäätmekäitluseks keskkonnasõbralikult sorteerida.

## MASINAL OLEVAD SÜMBOLID



Ohuhoiatus



Kiirus ilma koormuseta



Volt



Alalisvool



Enne seadme kasutamist lugege palun kasutusjuhend hoolega läbi.



CE-vastavus



Euraasia vastavusmärk



Ukraina vastavusmärgis



Maksimaalne hõõveldamisviime



Maksimaalne hõõveldamisviime



Kandke silmade kaitsevahendeid



Mittekasutatavaid elektritooteid ei tohi visata olmejäätmete hulka. Vaid tuleb viia vastavasse kogumispunkti. Vajadusel küsige sellekohast nõu oma edasimüüjalt või vastavalt kohaliku omavalitsuse institutsioonilt.

## KASUTUSJUHENDIS KASUTATUD SÜMBOLID



Märkus



Eraldi ostetavad osad või tarvikud



Lahtikeeramine



Lukk

Järgnevad märguandesõnad ja tähendused on mõeldud selle toote kasutamise seotud riskitasemete kirjeldamiseks.

### OHT.

Osutab ähvardavale ohuolukorrale, mille mittevältimine lõpeb surma või tõsise vigastusega.

### HOIATUS

Osutab võimalikule ohuolukorrale, mille mittevältimine võib lõppeda surma või tõsise kehavigastusega.

### ETTEVAATUST

Osutab võimalikule ohuolukorrale, mille mittevältimine võib lõppeda väiksemate või mõõdukate kehavigastustega.

### ETTEVAATUST

(Ilma ohutussümbolita) Viitab olukorrale, mis võib põhjustada kahjustusi varale.

U razvoju ovog vašeg rezača dati su maksimalni prioriteti sigurnosti, performansama i pouzdanosti.

## NAMJENA

Blanjalicu smiju koristiti samo odrasle osobe koje su pročitale i razumjele upute i upozorenja u ovom priručniku i koje se mogu smatrati odgovornima za svoje postupke.

Proizvod je namijenjen za rezanje drveta (premjestite na ravnu površinu kako biste osigurali glatku, ravnu završnu obradu) i urezivanje u drvetu.

Proizvod nije namijenjen za korištenje za statično rezanje.

Proizvod treba koristiti samo u dobro ventiliranim područjima.

Proizvod je namijenjen samo krajnjim korisnicima. Nemojte koristiti proizvod na bilo koji drugi način od onog za koji je namijenjen.

## ⚠ UPOZORENJE

**Pažljivo pročitajte sva upozorenja, upute i specifikacije priložene uz alat i pogledajte crteže.** Nepoštivanje svih uputa može dovesti do električnog udara, požara i / ili teške ozljede.

Spremite sva upozorenja i upute za buduće korištenje.

## SIGURNOSNA UPOZORENJA ZA BLANJU

- **Prije no što postavite alat sačekajte dok se rezač ne zaustavi.** Izloženi rotirajući rezač može zahvatiti površinu, što dovodi do mogućeg gubitka kontrole i ozbiljnih ozljeda.
- **Koristite spojnice ili na neki drugi način osigurajte i poduprite izradak na stabilnoj površini.** Držanje izratka rukom ili tijelom omogućuje nestabilnost i može dovesti do gubitka kontrole.

## DODATNA SIGURNOSNA PRAVILA

- Držite proizvod samo za izolirane površine. Dodirivanje „žive“ žice može izložiti metalne dijelove alata električnoj energiji i dovesti do strujnog udara na operatera.
- Prašina proizvedena tijekom korištenja ovog alata može biti štetna za zdravlje. Nemojte udisati prašinu. Koristite sustav za sakupljanje prašine i nosite prikladnu zaštitnu masku za prašinu. Temeljito uklonite nakupine prašine, npr. pomoću usisavača.
- Nemojte uklanjati razdjelnike ili prašinu s pile dok je alat pokrenut.
- Režite samo s oštim noževima, izbjegavajte metale (čavli, vijsci). Provjerite izradak prije rezanja.
- Nemojte dosezati u opasno područje alata kad je uključen.
- Prednju ploču stroja stavite na obradak, uključite stroj prije nego što nož blanjalice dotakne obradak, a zatim ga ravnomjerno vodite po obratku.
- Klinasti usjek ispred potporne ploče osigurava sigurno obaranje rubova.

**Napomena** Samootvaraču okretni štitnik treba podizati samo uz pomoć obratka ili ručicom.

**Napomena** Ne stavljajte prste u otvor za prašinu. Mogli bi ih ozlijediti rotirajući noževi.

- Zaustavite proizvod, uvjerite se da je nož potpuno zaustavljen i uklonite bateriju prije:

- Odstranjivanja blokade ili odčepeljivanja
- Provjere, čišćenja ili rada s proizvodom
- Koristite proizvod za prikupljanje prašine ili spojite usisavač za izvlačenje prašine kad proizvod radi.
- Raspon temperatura okoliša za alat za vrijeme rada je između 0 °C i 40 °C.
- Raspon temperatura okoliša za pohranu alata je između 0 °C i 40 °C.
- Preporučena temperatura okoliša za sustav punjača za vrijeme punjenja je između 10 °C i 38 °C.

## DODATNA SIGURNOSNA UPOZORENJA ZA BATERIJU

### ⚠ UPOZORENJE

Zbog izbjegavanja opasnosti od požara jednim kratkim spojem, opasnosti od ozljeda ili oštećenja proizvoda, alat, izmjenjivi akumulator ili napravu za punjenje ne uronjavati u tekućine i pobrinite se za to, da u uređaje ili akumulator ne prodire nikakve tekućine. Korozirajuće ili vodljive tekućine kao slana voda, određene kemikalije i sredstva za bijeljenje ili proizvodi koji sadrže sredstva bijeljenja, mogu prouzročiti kratak spoj.

- Raspon temperatura okoliša za bateriju za vrijeme uporabe je između 0 °C i 40 °C.
- Raspon temperatura okoliša za pohranu baterije je između 0 °C i 20 °C.

## TRANSPORTIRANJE LITIJUMSKIH BATERIJA

Transportirajte bateriju u skladu s lokalnim i nacionalnim pravilima i zakonima.

Slijedite sve specijalne zahtjeve na pakiranju i naljepnicama prilikom transporta baterije od treće strane. Osigurajte da baterija ne može doći u kontakt s drugim baterijama ili provodnim materijalima tijekom transporta tako da zaštitite izložene priključke s izolacijom, kapicama koje ne provode energiju ili trakom. Nemojte transportirati baterije koje su polomljene ili cure. Provjerite kod kompanije koja transportira za daljnju pomoć.

## PREOSTALE OPASNOSTI

Čak i kad je proizvod korišten kao što je prethodno opisano, još uvijek nije moguće potpuno isključiti ostale čimbenike opasnosti. Može doći do sljedećih opasnosti prilikom korištenja i operater mora obratiti posebnu pozornost kako bi izbjegao sljedeće:

- Ozljede uzrokovane prašinom
  - Korištenje proizvoda proizvodi značajnu količinu prašine i finih čestica. Koristite proizvod za prikupljanje prašine ili spojite usisavač za izvlačenje prašine kad proizvod radi. Nosite respiratorne maske koje sadrže odgovarajuće filtere za materijale s kojima se radi. Osigurajte odgovarajuću ventilaciju radnog mjesta. Nemojte jesti, piti ili pušiti u radom području. Radite samo na materijalima koji su navedeni u odjeljku Predviđena namjena. Nemojte raditi s materijalima (npr. azbestom) koji predstavlja opasnost po zdravlje.
- povrede uzrokovane bukom i vibracijom
  - Tijekom rada nosite zaštitu za uši. Nemojte raditi s proizvodom dulje vremensko razdoblje. Pogledajte

„Smanjenje Opasnosti“.

## SMANJENJE OPASNOSTI

Prijavljeno je da vibracije alata kod određenih pojedinaca mogu doprinijeti stanju pod nazivom Raynaud's Syndrome. Simptomi mogu uključivati trnce, ukočenost i bjelinu prstiju, obično uočljivo po izlaganju hladnoći. Smatra se da nasljedne osobine, izlaganje hladnoći i vlazi, dijeta, pušenje i radni postupci pridonose razvoju ovih simptoma. Postoje mjere koje operator može poduzeti kako bi smanjio moguće učinke vibracije:

- Održavajte svoje tijelo toplim u hladnim vremenskim uvjetima. Kad radite s uređajem nosite rukavice kako biste ruke i zglobove održavali toplima. Prijavljeno je da je hladnoća glavni čimbenik koji doprinosi Raynaud's Syndrome.
- Nakon svakog perioda rada vježbajte kako biste povećali cirkulaciju krvi.
- Uzimajte česte stanke u radu. Ograničite količinu izlaganja po danu.

Ako osjetite neke od simptoma ovog stanja, odmah prekinite korištenje i obratite se svome liječniku vezano uz ove simptome.

### ⚠ UPOZORENJE

Ozljede mogu biti uzorkovane ili izazvane produljenim vremenskim razdobljem korištenja alata. Kada koristite bilo koji alat dulje vremena, osigurajte da uzimate povremene stanke.

## UPOZNAJTE SVOJ PROIZVOD

Pogledajte stranicu 90.

1. Opružni štitnik noža
2. Prašina Luka
3. Gumb za usmjeravanje prašine
4. Blokada otonca
5. Sklopka za pokretanje
6. Gumb za podešavanje dubine
7. Oznaka smjera puhanja prašine
8. Mjerač dubine
9. Ulaz za bateriju
10. Oštrica
11. Stalak
12. Iščašenje
13. Priključak vreće za prašinu
14. Vrećica za prašinu
15. Vakuumski adapter
16. Gumb bočnog graničnika
17. Bočni graničnik

## RAD

### UPORABA OTVORA ZA PRAŠINU

#### Uporaba usisavača

Spojite otvor za prašinu sa sustavom za usisavanje prašine kako biste osigurali maksimalno izvlačenje prašine.

Adapter za usisavač može se pričvrstiti s obje strane otvora za prašinu.

- Spojite adapter za usisavač s usisavačem.
- Koristite tip usisavača koji odgovara vrsti materijala koji

obrađujete.

- Za usisavanje prašine štetne po zdravlje ili od kancerogenih materijala koristite specijalan tip usisavača.

### Uporaba vreće za prašinu

Vreću za prašinu koristite za manje radove.

- Umetnite adapter vreće u otvor za prašinu.
- Redovito praznite vreću za prašinu kako biste održali optimalno sakupljanje prašine.

Izvadite bateriju i redovito čistite otvor za prašinu. Uklonite sve objekte koji uzrokuju začepljenje s pomoću odgovarajućeg alata.

**NAPOMENA:** Nemojte stavljati ruke u otvor za prašinu.

Tako može doći do ozljeda zbog rotirajućih dijelova.

## ODRŽAVANJE

### ⚠ UPOZORENJE

Proizvod nikad ne smije biti priključen na izvor napajanja kada sastavljate dijelove, vršite podešenja, čistite, izvodite održavanje ili kada se proizvod ne koristi. Isključivanjem proizvoda s izvora napajanja sprečavaju se slučajna pokretanja proizvoda koja mogu prouzročiti ozbiljne tjelesne ozljede.

### ⚠ UPOZORENJE

Prilikom servisiranja, koristite samo originalne zamjenske dijelove, dodatni pribor i priključke od proizvođača. Korištenje nekih drugih dijelova može dovesti do opasnosti ili uzrokovati oštećenje alat.

- Prilikom čišćenja plastičnih dijelova izbjegavajte koristiti kemijska sredstva. Većina plastika je podložna različitim vrstama komercijalnih kemijskih sredstava za čišćenje i mogu se oštetiti prilikom njihovog korištenja. Za uklanjanje nečistoća, prašine, ulja masti i drugog upotrebljavajte čistu krpu.

### ⚠ UPOZORENJE

Nikada ne dopustite kontakt plastičnih dijelova s tekućinom za kočnice, benzinom, proizvodima na bazi petroleja, sredstvima za odmašćivanje, idr. Kemikalije mogu oštetiti, oslabiti ili uništiti plastiku što može dovesti do ozbiljnih osobnih ozljeda.

### ⚠ UPOZORENJE

Radi veće sigurnosti i pouzdanosti, sve popravke treba izvoditi ovlašteni servisni centar.

- Uvijek tijekom rada s električnim alatom ili prilikom ispuhivanja prašine nosite zaštitne naočale i zaštitne naočale s bočnim štitnicima. Ako radite u prašini nosite i masku za zaštitu od prašine.
- Zamijenite istrošene noževe s novima.
- Rubovi noža su oštri i mogu ostati vrući nakon rezanja. Budite iznimno oprezni prilikom čišćenja izloženog noža. Nosite rukavice kako biste se zaštitili od ozljeda.

## PODMAZIVANJE

Svi ležajevi u ovom proizvodu podmazani su s dovoljnom količinom visokokvalitetnog sredstva za podmazivanje za životni vijek proizvoda u normalnim radnim uvjetima. Stoga nije potrebno daljnje podmazivanje.

## ZAŠTITA OKOLIŠA



Sirovine reciklirajte, umjesto da ih odlažete kao otpad. Kako biste zaštitili okoliš, alat, dodatke i ambalažu treba odvojeno baciti u otpad.

## SIMBOLI NA PROIZVODU



Sigurnosno upozorenje



Brzina bez opterećenja



Volti



Istosmjerna struja



Molimo da pažljivo pročitate upute prije pokretanja stroja.



CE usklađenost



EurAsian znak konformnosti



Ukrajinska oznaka za sukladnost



Maksimalan kapacitet piljenja



Maksimalan kapacitet piljenja



Nosite zaštitu za vid



Otpadni električni proizvodi ne treba da se odlažu s otpadom iz domaćinstva. Molimo da reciklirate gdje je to moguće. Potražite savjet od lokalnih vlasti ili prodavca kako reciklirati.

## SIMBOLI U PRIRUČNIKU



Napomena



Dijelovi ili pribor prodan odvojeno



Otključavanje



Brava

Slijedeće riječi upozorenja i značenja imaju namjeru da objasne nivo rizika u vezi s ovim proizvodom.

### OPASNOST

Naznačuje prijetecu opasnu situaciju, koja ako se ne izbjegne dovodi do smrti ili ozbiljnih ozljeda.

### UPOZORENJE

Naznačuje potencijalno opasnu situaciju, koja ako se ne izbjegne dovodi do smrti ili ozbiljnih ozljeda.

### OPREZ

Naznačuje potencijalno opasnu situaciju, koja ako se ne izbjegne dovodi do lakših ili srednjih ozljeda.

### OPREZ

(Bez simbola upozorenja sigurnosti) Označava situaciju koja može izazvati oštećenje imovine



Varnost, učinkovitost in zanesljivost so bile pri načrtovanju vašega skobeljča ključnega pomena.

## NAMEN UPORABE

Skobeljnik lahko uporabljajo samo odrasli, ki so prebrali in razumejo navodila ter opozorila v tem priročniku in lahko odgovarjajo za svoja dejanja.

Izdelek je namenjen samo za oblanje lesa (odstranjanje enakomerne plasti za zagotovitev gladke, ravne površine) in zarezovanje utorov v les.

Izdelek ni namenjen za stacionarno uporabo.

Izdelek smete uporabljati le v dobro prezračjenih prostorih. Izdelek je predviden samo za potrošniško uporabo. Izdelka ne uporabljajte na noben način, ki ni predpisan za to napravo.

## ⚠ OPOZORILO

**Preberite vsa varnostna opozorila, navodila, ilustracije in specifikacije, ki so priložene temu električnemu orodju.** Če ne upoštevate opozoril in navodil, lahko pride do električnega udara, ognja in/ali hudih poškodb.

Vsa opozorila in vsa navodila shranite za bodočo referenco.

## VARNOSTNA OPOZORIILA ZA SKOBELJNIK

- **Pred odstranjanjem orodja počakajte, da se rezalnik zaustavi.** Če vrteče se rezilo izpostavite, lahko zagrabi površino in tako izgubite nadzor, kar povzroči hude poškodbe.
- **Uporabite sponke ali na drug način zavarujte obdelovanec na stabilno podlago in ga podprite.** Če obdelovanec držite z roko ali s telesom, ne bo stabilen in lahko izgubite nadzor.

## DODATNA PRAVILA ZA VARNOST

- Orodje držite le za izolirane površine. Če se rezila dotaknejo žice, ki je pod električno napetostjo, lahko izpostavljeni kovinski deli električnega orodja povzročijo električni udar.
- Prah, ki nastane ob uporabi tega orodja, lahko škoduje zdravju. Prazu ne vdihavajte. Uporabljajte sistem odsesavanja prahu in nosite ustrezno masko za zaščito proti prahu. Odstranite nakopičeni prah, npr. s sesalnikom.
- Ko orodje deluje, ne odstranjujte drobcov ali žagovine.
- Uporabljajte le orodje z ostrimi rezili in se izogibajte kovini (žebliji, vijaki). Pred oblanjem preverite obdelovanec.
- Ne segajte v območje nevarnosti, ko je orodje priklopljeno.
- Prednjo ploščo stroja položite na obdelovanec in skobeljnik vklopite, še preden je njegovo rezilo v stiku z obdelovancem, nato pa stroj enakomerno vodite prek njega.
- U-utor na prednji strani podporne plošče zagotavlja varno posnemanje robov.

**Opomba:** Vrtljivo loputo, ki omogoča samodejno odpiranje, lahko dvignete samo z obdelovancem ali vzvodom.

**Opomba:** S prstmi ne segajte v odprtino za odvajanje

prahu. Če tega ne upoštevate, lahko utrpite poškodbe zaradi vrtljivih rezil.

- Pred izvajanjem spodnjih opravil izdelek zaustavite, počakajte, da se rezilo povsem zaustavi, in iz izdelka odstranite akumulator:
  - čiščenje blokade ali odmašitev
  - preverjanje, čiščenje ali vzdrževanje izdelka
- Pri uporabi izdelka uporabljajte zbiralnik prahu ali priključite sesalnik za prah.
- Temperatura okolja delovanja orodja je med 0 °C in 40 °C.
- Temperatura okolja shranjevanja orodja je med 0 °C in 40 °C.
- Priporočena temperatura okolja za polnilni sistem med polnjenjem je med 10 °C in 38 °C.

## DODATNA VARNOSTNA OPOZORIILA ZA BATERIJO

### ⚠ OPOZORILO

V izogib, s kratkim stikom povzročene nevarnosti požara, poškodb ali okvar na proizvodu, orodja, izmenljivega akumulatorja ali polnilne naprave ne potaplajte v tekočine in poskrbite, da ne bo prihajalo do vdora tekočin v naprave in akumulatorje. Korozivne ali prevodne tekočine, kot so slana voda, določene kemikalije in belila ali proizvodi, ki le ta vsebujejo, lahko povzročijo kratek stik.

- Temperatura okolja za baterijo (izdelek) je med 0 °C in 40 °C.
- Temperatura okolja za shranjevanje baterije je med 0 °C in 20 °C.

## PREVAŽANJE LITIJEVIH AKUMULATORJEV

Akumulator prevažajte v skladu z lokalnimi in državnimi uredbami in predpisi.

Upoštevajte vse posebne zahteve glede pakiranja in označevanja, kadar prevoz opravlja tretja oseba. Zagotovite, da akumulatorji med prevozom ne morejo priti v stik z drugimi akumulatorji ali prevodnimi materiali, tako da zaščitite izpostavljene konektorje z neprevodnimi izolacijskim pokrovčki ali trakom. Ne prevažajte poškodovanih akumulatorjev oz. akumulatorjev, ki puščajo. Za nadaljnje informacije se obrnite na posredništvo.

## PREOSTALA TVEGANJA

Nekateri preostali dejavniki tveganja ni mogoče povsem odpraviti, tudi če ta izdelek uporabljate v skladu z navodili. Med uporabo se lahko pojavijo nekatere nevarnosti, upravljavec pa naj bo pozoren na naslednje:

- Poškodbe zaradi prahu
  - Pri uporabi izdelka nastane precejšnja količina prahu in finih delcev. Pri uporabi izdelka uporabljajte zbiralnik prahu ali priključite sesalnik za prah. Nosite zaščitne maske s primernimi filtri za obdelovane materiale. Zagotovite primerno prezračevanje prostora. V delovnem območju je prepovedano jesti, piti in kaditi. Uporabljajte izključno za materiale, ki so navedeni v razdelku Predvidena uporaba. Ne delajte z materiali (npr. z azbestom), ki predstavljajo nevarnost za zdravje.



- poškodbe zaradi hrupa in vibracij
  - Med uporabo orodja nosite ščitnike za ušesa. Izdelka ne uporabljajte predolgo. Glejte »Zmanjševanje Tveganja«.

## ZMANJŠANJE TVEGANJA

Poročali so že, da lahko vibracije ročnih orodij pri nekaterih posameznikih pripomorejo k razvoju Raynaudovega sindroma. Simptomi so lahko mravljinci, otrplost in pobeljeni prsti, kar je običajno vidno, kadar je oseba izpostavljena mrazu. Dedni dejavniki, izpostavljenost mrazu in vlagi, dieta, kajenje in delovne navade naj bi pripomogle k razvoju teh simptomov. Za zmanjšanje učinkov vibracij lahko upravljavec upošteva naslednja navodila:

- Poskrbite, da bo vaše telo na mrazu toplo. Med upravljanjem nosite rokavice in tako ohranjajte toploto vaših dlani in zapestij. Kot poročajo, je mraz glavni dejavnik, ki prispeva k Raynaudovemu sindromu.
- Po vsakem obdobju upravljanja naprave telovadite in tako pospešite krvni obtok.
- Pogosto si vzemite odmor. Omejite dnevno količino izpostavljenosti.

Če zaznavate kakršnekoli simptome takšnega stanja, takoj prenehajte z uporabo naprave in se posvetujte z zdravnikom.

### ⚠ OPOZORILO

Zaradi daljše uporabe orodja lahko pride do poškodb oz. se morebitne poškodbe poslabšajo. Kadar orodje uporabljate dalj časa, si večkrat vzemite odmor.

## SPOZNAJTE SVOJ IZDELEK

Glej stran 90.

1. Vzmetno nameščeno varovalo rezila
2. Priključek vrečke za zbiranje prahu
3. Gumb za smer pretoka prahu
4. Gumb za zaklep delovanja
5. Sprožilo
6. Gumb za prilagajanje globine
7. Oznaka smeri pretoka prahu
8. Merilo globine
9. Priklp za bateriji
10. Rezilo
11. Izvlečna noga
12. Ključ
13. Prilagodilnik za vrečko za prah
14. Vrečka za prah
15. Nastavek za sesalnik
16. Gumb za stransko poravnalo
17. Stransko poravnalo

## DELOVANJE

### UPORABA ODPRTINE ZA ODVAJANJE PRAHU

#### Uporaba sesalnika

Da zagotovite optimalno odvajanje, odprtino za odvajanje prahu povežite s sistemom za ekstrakcijo prahu.

Adapter za sesanje lahko namestite na katero koli stran odprtine za odvajanje prahu.

- Adapter za sesanje namestite na sesalnik.

- Uporabite sesalnik, ki je primeren za obdelovani material.
- Za odsesavanje suhega prahu, ki ima škodljive učinke na zdravje ali je karcinogen, uporabite poseben sesalnik.

### Uporaba vrečke za prah

Za manjša opravila uporabite vrečko za prah.

- Adapter za vrečko za prah namestite v odprtino za odvajanje prahu.
- Da zagotovite optimalno odvajanje prahu, redno praznite vrečko za prah.

Redno odstranjujte akumulator in očistite odprtino za odvajanje prahu. Z ustreznim orodjem odstranite morebitni zamašek.

**OPOMBA:** Z rokami ne segajte v odprtino za odvajanje prahu. Če tega ne upoštevate, lahko utrpite poškodbe zaradi vrtiljivih delov.

## VZDRŽEVANJE

### ⚠ OPOZORILO

Ko sestavljate dele, prilagajate, čistite ali vzdržujete orodje, ali ko izdelka ne uporabljate, ga nikoli ne imejte priključenega na vir napajanja. Če izdelek izklopite iz napajanja, preprečite nenameren zagon, ki bi lahko povzročil resne telesne poškodbe.

### ⚠ OPOZORILO

Za servisiranje uporabljajte le proizvajalčeve originalne nadomestne dele, dodatke in nastavke. Uporaba drugih delov lahko pomeni tveganje ali povzroči škodo na izdelku.

- Pri čiščenju plastičnih delov se izogibajte toplom. Večina vrst plastik se lahko pri uporabi različnih komercialnih topil poškoduje. Za odstranjevanje umazanije, saj in podobnega uporabljajte čisto krpo.

### ⚠ OPOZORILO

Zavorna tekočina, gorivo, izdelki na osnovi nafte, prodirajoče olje ipd. nikoli ne smejo priti v stik s plastičnimi deli. Kemikalije lahko poškodujejo, oslabijo ali uničijo plastiko, kar lahko ima za posledico tudi resne telesne poškodbe.

### ⚠ OPOZORILO

Zaradi večje varnosti in zanesljivosti naj vsa popravila izvaja pooblaščen servisni center.

- Vedno nosite zaščitna očala s stranskimi ščitniki, ko uporabljate električna orodja ali ko spihujete prah. Če pri delu nastaja prah, nosite tudi zaščitno masko proti prahu.
- Obrabljena rezila zamenjajte z novimi.
- Rezilo ima ostre robove, ki lahko po rezanju ostanejo vroči. Pri čiščenju izpostavljenega rezila bodite izjemno previdni. Nosite rokavice, da se zaščitite pred telesnimi poškodbami.

## MAZANJE

Vsi ležaji na napravi so namazani z dovolj kakovostnega maziva, tako da mazanje naprave ob normalni uporabi do konca življenjske dobe naprave ni več potrebno. Zato dodatno mazanje ni potrebno.

### ZAŠČITA OKOLJA



Namesto, da napravo zavržete, reciklirajte surovine. Napravo, pribor in embalažo je treba sortirati za okolju prijazno recikliranje.

### SIMBOLI NA IZDELKU



Varnostno opozorilo



Hitrost brez obremenitve



Volti



Enosmerni tok



Prosimo, da si pred zagonom naprave pozorno preberete navodila



Skladnost CE



EurAsian oznaka o skladnosti



Ukrajinska oznaka za skladnost



Maksimalna kapaciteta rezanja



Maksimalna kapaciteta rezanja



Nosite zaščito za oči



Odpadne električne izdelke ne odlagajte skupaj z ostalimi gospodinjskimi odpadki. Reciklažo opravljajte na predpisanih mestih. Za nasvet se obrnite na lokalne oblasti.

### SIMBOLI V PRIROČNIKU



Opomba



Deli ali dodatki so na prodaj ločeno



Odklenjeno



Zaklenjeno

Sljedeće signalne besede in pomeni naj bi pojasnili ravni tveganja, ki so povezane s tem izdelkom.

#### NEVARNOST

Označuje neizogibno nevarno stanje, ki lahko povzroči smrt ali hude poškodbe, če ga ne preprečite.

#### OPOZORILO

Označuje morebitno nevarno stanje, ki bi lahko povzročilo smrt ali hude poškodbe, če ga ne preprečite.

#### POZOR

Označuje morebitno nevarno stanje, ki lahko povzroči manjše ali zmerne poškodbe, če se ga ne preprečite.

#### POZOR

(Brez simbola Varnostni alarm) Označuje stanje, ki lahko privede do poškodovanja lastnine.





Pri navrhovaní vašej hobľovačky boli najvyššou prioritou bezpečnosť, výkon a spoľahlivosť.

## ÚČEL POUŽITIA

Táto hobľovačka je určená len na používanie osobami, ktoré si prečítali a rozumejú pokynom a výstrahám v tejto príručke, a sú za svoje činnosti zodpovedné.

Tento produkt je určený len na hobľovanie dreva (odstraňovanie rovnomernej vrstvy za účelom dosiahnutia hladkého plochého povrchu) a drážkovanie dreva.

Tento produkt nie je určený na stacionárne hobľovanie.

Tento produkt možno používať len v dobre vetraných priestoroch.

Tento výrobok je určený len na spotrebiteľské použitie. Tento produkt nepoužívajte žiadnym iným spôsobom, ako je uvedené v účele použitia.

## VAROVANIE

**Prečítajte si všetky výstrahy, pokyny, vyobrazenia a špecifikácie dodané k tomuto elektrickému nástroju.** Pri nedodržaní týchto výstrah a pokynov môže dôjsť k úrazu elektrickým prúdom, požiaru a/alebo závažnému poraneniu

**Odložte všetky výstrahy a pokyny pre budúce použitie.**

## BEZPEČNOSTNÉ VÝSTRAHY PRE HOBĽOVAČKU

- **Predtým, ako odložíte nástroj, počkajte, kým sa rezacia časť nezastaví.** Obnažený rotujúci rezák môže zachytiť povrch, čo by mohlo viesť k novej strate kontroly a vážnemu poraneniu.
- **Pomocou svoriek alebo inými praktickým spôsobmi zaistite a podoprite obrobok na stabilnej podložke.** Keď držíte obrobok rukou alebo oproti telu, obrobok bude nestabilný a môže dôjsť k strate kontroly.

## ĎALŠIE BEZPEČNOSTNÉ PRAVIDLÁ

- Nástroj držte len za izolované úchopné plochy. Pri rezaní „živého“ vodiča by mohli byť obnažené kovové diely pod prúdom a spôsobiť obsluhujúcemu úder elektrickým prúdom.
- Pyl vytváraný pri práci s týmto nástrojom môže byť zdraviu škodlivý. Tento prach nevdychujte. Používajte systém na pohlcovanie prachu a noste vhodnú masku na ochranu pred prachom. Dôkladne odstráňte usadený prach, napr. pomocou vysávača.
- Kým je nástroj spustený, neodstraňujte triesky alebo piliny.
- Hobľujte len s ostrými ostriami a vyhýbajte sa kovom (klince, skrutky). Pred hobľovaním skontrolujte obrobok.
- Nesiahajte do nebezpečného priestoru nástroja, keď je pripojený do siete.
- Prednú platňu zariadenia priložte na obrobok a zapnite ešte pred tým, než sa čepeľ hobľovačky dotkne obrobku; potom vedte rovnomerne po obrobku.
- Drážka v tvare V v prednej časti opornej platne umožňuje bezpečné zošikmenie hrán.

**Poznámka:** Samočinne otvárací otočný chránič zdvíhajte len obrobkom alebo pákou.

**Poznámka:** Prsty nestrkajte do portu na odvádzanie

prachu. Mohlo by dojsť k ich poraneniu otáčajúcimi sa čepeľami.

- Výrobok zastavte, skontrolujte, že sa čepeľ úplne zastavila, a batériu vyberte pred:
  - odstránením zablokovania či zanesenia,
  - kontrolou, čistením alebo vykonávaním práce na výrobku.
- Pri práci s produktom používajte zariadenie na zber prachu alebo vysávač na odsávanie prachu.
- Rozsah okolitej teploty počas prevádzkovania náradia je 0 °C až 40 °C.
- Rozsah okolitej teploty počas skladovania náradia je 0 °C až 40 °C.
- Odporúčaná rozsah okolitej teploty pre nabíjací systém počas nabíjania je 10 °C až 38 °C.

## DOPLNKOVÉ BEZPEČNOSTNÉ VÝSTRAHY PRE BATÉRIU

### VAROVANIE

Aby ste zabránili nebezpečenstvu požiaru spôsobeného skratom, poraneniam alebo poškodeniam výrobku, neponárajte náradie, výmennú batériu alebo nabíjačku do kvapalín a postarajte sa o to, aby do zariadení a akumulátorov nevnikli žiadne tekutiny. Korodujúce alebo vodivé kvapaliny, ako je slaná voda, určité chemikálie a bieliace prostriedky alebo výrobky, ktoré obsahujú bieliadlo, môžu spôsobiť skrat.

- Rozsah okolitej teploty počas používania batérie je 0 °C až 40 °C.
- Rozsah okolitej teploty počas skladovania batérie je 0 °C až 20 °C.

## PREPRAVA LÍTOVÝCH AKUMULÁTOROV

Akumulátor prepravujte v súlade s miestnymi smernicami a nariadeniami.

Keď akumulátory prepravuje tretia strana, dodržiavajte všetky požiadavky na balení a označení. Zabezpečte, aby počas prepravy akumulátory nepišli do kontaktu s inými akumulátormi ani vodivými materiálmi – chráňte obnažené konektory pomocou izolácie, nevodivými viečkami alebo páskou. Neprepravujte akumulátory, ktoré sú prasknuté alebo vytekajú. Ďalšie pokyny zistíte u nasledujúcej spoločnosti.

## ZVYŠKOVÁ RIZIKOVOSŤ

Aj keď sa nástroj používa podľa predpisu, nie je možné eliminovať určité zvyškové rizikové faktory. Pri použití vznikajú nasledujúce riziká a obsluhujúca osoba musí venovať zvláštnu pozornosť, aby nedošlo k nasledovnému:

- Zranenie spôsobené prachom
  - Pri používaní produktu vzniká značné množstvo prachových a jemných častočiek. Pri práci s produktom používajte zariadenie na zber prachu alebo vysávač na odsávanie prachu. Používajte protiprachové masky obsahujúce filtre vhodné pre obrábané materiály. Zabezpečte primerané vetranie pracoviska. Na pracovisku nejedzte, nepite ani nefajčite. Používajte len na materiály, ktoré sú uvedené v časti o určenom použití. Nepracujte s materiálmi (napr. azbestom), ktoré predstavujú



zdravotné riziko.

- poranenie spôsobené hlukom a vibráciami
  - Počas prevádzky používajte ochranu sluchu. Nepoužívajte produkt príliš dlhé časové obdobia. Pozrite časť „Znižovanie Rizika“.

## OBMEDZENIE RIZIKA

Boli hlásené prípady, kedy vibrácie z ručných nástrojov u niektorých osôb prispeli k stavu nazývanému Raynaudov syndróm. K symptómom patria: trpnutie, znecitlivenie a blednutie prstov, zvyčajne zjavné po vystavení zime. Je známe, že k vývoju týchto symptómov prispievajú: dedičné faktory, vystavovanie zime a vlhkosti, diéta, fajčenie a pracovné návyky. Opatrenia, ktoré môže vykonať obsluhujúca osoba na možné zníženie účinkov vibrácií:

- V studenom počasí udržiavajte svoje telo v teple. Pri práci so zariadením noste rukavice, aby ste mali ruky a zápästia v teple. Boli hlásené prípady, kedy hlavným faktorom prispievajúcim k Raynaudovmu syndrómu bolo studené počasie.
- Po každom určitom časovom úseku prevádzky cvičte, aby ste zlepšili krvný obeh.
- Počas práce si doprajte časté prestávky. Obmedzte počet vystavení za deň.

Ak zistíte ktorýkoľvek zo symptómov tohto stavu, okamžite prerušte používanie zariadenia, navštívte svojho lekára a povedzte mu o symptómoch.

### VAROVANIE

Dlhodobé používanie nástroja môže spôsobiť alebo zhoršiť poranenia. Pri používaní nástroja príliš dlhé obdobia si vždy doprajte pravidelné prestávky.

## OBOZNÁMTE SA S VAŠIM PRODUKTOM

Vid' strana 90.

1. Chránič čepele s pružinou
2. Kanál na prach
3. Gombík smeru prúdenia prachu
4. Poistné tlačidlo
5. Spínač
6. Gombík pre nastavenie hĺbky
7. Značka smeru prúdenia prachu
8. Stupnica hĺbky
9. Otvor na akumulátor
10. Ostrie
11. Stojanček
12. Kľúč
13. Držiak prachového vrečka
14. Vrečko na prach
15. Adaptér na odsávanie
16. Gombík bočného vodidla
17. Bočné vodidlo

## PREVÁDZKA

### POUŽÍVANIE PORTU NA ODVÁDZANIE PRACHU

#### Používanie vysávača

Na zabezpečenie optimálneho odvádzania pripojte port na odvádzanie prachu k systému na odvádzanie prachu.

Adaptér na vysávanie možno pripojiť ku ktorejkoľvek strane portu na odvádzanie prachu.

- Adaptér na vysávanie pripojte k vysávaču.
- Používajte vysávač vhodný na vysávanie materiálu, s ktorým pracujete.
- Na vysávanie suchého prachu, ktorý je škodlivý pre zdravie alebo karcinogénny, používajte špeciálny vysávač.

### Používanie vrečka na prach

Na menšie práce používajte vrečko na prach.

- Do portu na odvádzanie prachu zasuňte adaptér na vrečko na prach.
- Aby ste zabezpečili optimálne zhromažďovanie prachu, vrečko na prach pravidelne vyprázdňujte.

Vyberte batériu a port na odvádzanie prachu pravidelne čistite. Pomocou vhodného nástroja odstráňte zaseknutý predmet.

**POZNÁMKA:** Ruky nestrkajte do portu na odvádzanie prachu. Otáčajúce diely by ich mohli poraniť.

## ÚDRŽBA

### VAROVANIE

Tento produkt sa nikdy nesmie pripájať do elektrickej siete, keď montujete diely, vykonávate úpravy, čistíte alebo vykonávate údržbu, alebo keď produkt nepoužívate. Odpojenie výrobku od zdroja napájania zabráni náhodnému spusteniu, ktoré by mohlo spôsobiť vážne poranenie.

### VAROVANIE

Pri servise používajte len originálne náhradné diely, príslušenstvo a nástavce výrobcu. Použitie iných dielov môže predstavovať riziko alebo spôsobiť poškodenie produktu.

- Vyhýbajte sa použitiu rozpúšťadiel pri čistení plastových častí. Veľšina plastických materiálov je občutlivá na rôzne vrstvy komerčiallych dostopných topil in jih z njihovo uporabo lahko poškodujemo. Na odstránenie špiny, uhľikového prachu a pod. použite čisté tkaniny.

### VAROVANIE

Dbajte na to, aby do kontaktu s plastovými dielmi nikdy neprišli do kontaktu brzdové kvapaliny, benzín, ropné produkty, prenikavé oleje a pod. Chemikálie môžu poškodiť, oslabiť, alebo zničiť plastové časti a tak spôsobiť vážne zranenie.

### VAROVANIE

Pre vyššiu bezpečnosť a spoľahlivosť sa musia všetky opravy vykonávať v autorizovanom servisnom centre.

- Pri práci s mechanickým nástrojom alebo ofukovaní prachu vždy používajte ochranné okuliare alebo ochranné okuliare s bočnými chráničmi. Ak pri práci vzniká prach, používajte aj protiprachovú masku.
- Opotrebované ostria vymeňte za nové.
- Čepeľ má ostré hrany a po činnostiach rezania môže byť horúca. Pri čistení nechránenej čepele

dávajte maximálny pozor. Na ochranu pred osobným poranením noste rukavice.

## MAZANIE

Všetky ložiská v produkte sú namazané dostatočným množstvom mazivom vysokej akosti na celú životnosť produktu pri bežných prevádzkových podmienkach. Preto nie je potrebné žiadne ďalšie mazanie.

## OCHRANA ŽIVOTNÉHO PROSTREDIA



Surové materiály recyklujte, nelikvidujte ich ako odpad. Stroj, príslušenstvo a obaly by sa mali triedene recyklovať spôsobom šetrným k životnému prostrediu.

## SYMBOLY NA PRODUKTE



Buďte ostražití



Otáčky bez zaťaženia



Napäťie



Jednosmerný prúd



Pred zapnutím zariadenia si prosím prečítajte inštrukcie



Zhoda CE



Euroázijská značka zhody



Ukrajinské označenie zhody



Maximálna hobľovacia kapacita



Maximálna hobľovacia kapacita



Noste ochranu zraku



Opatrované elektrické zariadenia by ste nemali odhadzovať do domového odpadu. Prosíme o recykláciu ak je možné. Kontaktujte miestne úrady, alebo predajcu pre viac informácií ohľadom ekologického spracovania.

## SYMBOLY V NÁVODE



Poznámka



Diely alebo príslušenstvo predávané samostatne



Odomknuté



Zamknuté

Nasledujúce značky a významy vysvetľujú úroveň rizika spojeným s výrobkom.

### ⚠ NEBEZPEČENSTVO

Označuje bezprostredne nebezpečnú situáciu, ktorá, ak jej nepredídete, spôsobí usmrtenie alebo vážne poranenie.

### ⚠ VAROVANIE

Označuje potenciálne nebezpečnú situáciu, ktorá, ak jej nepredídete, môže spôsobiť usmrtenie alebo vážne poranenie.

### ⚠ UPOZORNENIE

Označuje potenciálne nebezpečnú situáciu, ktorá, ak jej nepredídete, môže spôsobiť menšie alebo stredne závažné poranenie.

### UPOZORNENIE

(Bez výstražnej značky s výkričníkom) Označuje situáciu, ktorá môže zapríčiniť škody na majetku.



Безопасността, работните характеристики и надеждността имат най-висок приоритет при проектирането на Вашето електрическо ренде.

### ПРЕДНАЗНАЧЕНИЕ

Електрическото ренде е предназначено за използване само от възрастни, които трябва да са прочели и разбрали инструкциите и предупрежденията в това ръководство и може да се считат отговорни за действията си.

Електрическото ренде е предназначено за рендосване на дърво (отстраняване на равен слой, за да се осигури гладка и равна окончателна обработка) и фалцоване.

Изделието не е предназначено да се използва за стационарно рендосване.

Продуктът трябва да се използва само на добре вентилирани места.

Продуктът е предназначен само за потребителска употреба. Не го използвайте за никакви други цели.

### ⚠ ПРЕДУПРЕЖДЕНИЕ

**Прочетете всички предупреждения за безопасност инструкции, илюстрации и спецификации, предоставени с този електрически инструмент. Неспазването на инструкциите, изброени по-долу, може да доведе до електрически удар, пожар и/или тежки физически травми.**

Съхранявайте всички предупреждения и инструкции за бъдещи справки.

### ПРЕДУПРЕЖДЕНИЯ ЗА БЕЗОПАСНОСТ НА ХОБЕЛ МАШИНАТА

- **Изчакайте ножът да спре, преди да оставите инструмента.** Незащитен въртящ се нож може да зацели повърхността, което може да доведе до загуба на управление и сериозно нараняване.
- **Използвайте скоби или други практични начини за закрепване и поддържане на обработвания детайл към стабилна платформа.** Като държите обработвания детайл с ръката си или срещу тялото си, го оставяте нестабилен и може да доведе до загуба на управление.

### ДОПЪЛНИТЕЛНИ ПРАВИЛА ЗА БЕЗОПАСНОСТ

- Дръжте електрическия инструмент само за изолираните повърхности за хващане. Срязване на проводник под напрежение може да постави под напрежение откритите метални части на електрическия инструмент и да причини токов удар на оператора.
- Прахът, произведен при използването на тази машина, може да бъде вреден за здравето. Да не се вдишва прахът. Използвайте система за поглъщане на прах и носете подходяща противопрахова маска. Премахвайте напълно отложения прах, напр. с прахосмукачка.
- Не отстранявайте трески или стърготини, докато

инструментът се върти.

- Рендосвайте само с остри ножове, като избягвате метал (гвоздеи, винтове). Проверявайте детайла преди рендосване.
- Не докосвайте опасната област на инструмента, когато е включен в мрежата.
- Поставете предната пластина на машината върху детайла и включете, преди ножът на електрическото ренде да допре детайла, след което водете равномерно по детайла.
- V-образният канал в предната част на поддържащата плоча осигурява безопасно скосяване на ръбовете.

**Забележка:** Самоотварящият се въртящ се предпазител трябва да бъде повдигнат само от детайла или с лоста.

**Забележка:** Не бържайте с пръсти в отвора за прах. Те могат да бъдат наранени от въртящите се ножове.

- Спрете изделието, уверете се, че ножовете са напълно спрели и свалете акумулатора преди:
  - Почистване на задръстване или отпушване
  - Проверяване, почистване или работа с машината
- Използвайте устройството за събиране на прах или свържете смукателно устройство за извличане на прах, когато работите с продукта.
- Диапазонът на околната температура при работа с инструмента е между 0°C и 40°C.
- Диапазонът на околната температура при съхранение на инструмента е между 0°C и 40°C.
- Препоръчителният диапазон на околната температура при зареждане със зарядната система е между 10°C и 38°C.

### ДОПЪЛНИТЕЛНИ ПРЕДУПРЕЖДЕНИЯ ЗА БЕЗОПАСНОСТ ЗА БАТЕРИЯТА

#### ⚠ ПРЕДУПРЕЖДЕНИЕ

За да избегнете опасността от пожар, предизвикана от късо съединение, както и нараняванията и повредите на продукта, не потапяйте инструмента, сменяемата акумулаторна батерия или зарядното устройство в течности и се погрижете в уредите и акумулаторните батерии да не попадат течности. Течностите, предизвикващи корозия или провеждащи електричество, като солена вода, определени химикали, избелващи вещества или продукти, съдържащи избелващи вещества, могат да предизвикат късо съединение.

- Диапазонът на околната температура при използване на батерията е между 0°C и 40°C.
- Диапазонът на околната температура при съхранение на батерията е между 0°C и 20°C.

### ТРАНСПОРТИРАНЕ НА ЛИТИЕВИ БАТЕРИИ

Транспортирайте батериите в съответствие с местните и национални постановления и разпоредби.

Спазвайте всички специални изисквания за пакетиране





и етикетирани, когато транспортирате батерии чрез трето лице. Уверете се, че батериите не влизат в контакт с други батерии или проводими материали по време на транспортиране, като предпазите откритите конектори с изолация, непроводими капачета или лента. Не транспортирайте батерии, които са спукани или текат. Свържете се със следната компания за допълнителен съвет.

## НЕПРЕДВИДЕНИ РИСКОВЕ

Дори когато продуктът се използва по предназначение, е невъзможно напълно да се ограничи влиянието на определени рискови фактори. Могат да възникнат следните опасности и операторът трябва да обърне особено внимание, за да ги избегне:

- Наранявания, причинени от прах
  - Използването на продукта ще произвежда значително количество прах и фини частици. Използвайте устройството за събиране на прах или свържете смукателно устройство за извличане на прах, когато работите с продукта. Носете маски против прах с филтри, подходящи за материалите, върху които работите. Осигурете подходяща вентилация на работното място. Не употребявайте храни, напитки или цигари в зоната на работа. Работете само върху материали, които са посочени в раздела „Предназначение“. Не работете върху материали (напр. азбест), които представляват риск за здравето.
- Наранявания, причинени от шум и вибрации
  - Носете антифони по време на работа. Не работете с продукта за продължителни периоди от време. Вижте „Намаляване на риска“.

## НАМАЛЯВАНЕ НА РИСКА

Известно е, че вибрациите, произвеждани от ръчни инструменти може да предизвикат у някои индивиди заболяване, наречено Синдром на Рейнолд (Raynaud's Syndrome). Симптомите може да включват изтръпване, схващане и избледняване на пръстите, обикновено се забелязват при излагане на студ. Смята се, че наследствените фактори, излагането на студ и влага, диетите, пушенето и някои работни навици допринасят за развитието на тези симптоми. Могат да се вземат някои мерки, които могат да се предприемат от оператора, за да се намалят ефектите от вибрациите:

- Поддържайте телесната температура в студено време. Когато боравите с инструмента, носете ръкавици, за да поддържате ръцете и китките си топли. Според изследванията главният фактор, допринасящ за развитието на Raynaud's Syndrome, е студеното време.
- Правете упражнения за активизиране на кръвообращението след всеки работен цикъл.
- Редовно излизайте в почивка. Ограничете излагането на вибрации на ден.

При поява на някой от симптомите на това заболяване, незабавно прекратете употребата на инструмента и посетете лекар.

## ⚠ ПРЕДУПРЕЖДЕНИЕ

Продължителното използване на инструмента може да доведе до наранявания или влошаване. При използване на инструмента за продължителни периоди от време правете чести почивки.

## ОПОЗНАЙТЕ ВАШИЯ ПРОДУКТ

Вж. страница 90.

1. Пружинен предпазител на ножовите
2. Отвор за прах
3. Копче за посоката на потока прах
4. Фиксиращ бутон
5. Спусък
6. Копче за регулиране на дълбочината
7. Маркер за посоката на потока прах
8. Мащаб на дълбочината
9. Гнездо за батерията
10. Острие
11. Подвижно опорно краче
12. Гаечен ключ
13. Адаптер за торбата за прах
14. Торба за прах
15. Адаптер за вакуума
16. Копче на страничната направляваща планка
17. Странична направляваща планка

## РАБОТА

### ИЗПОЛЗВАНЕ НА ОТВОРА ЗА ПРАХ

#### Използване на прахосмукачката

Свържете отвора за прах към система за прахоулавяне, за да осигурите оптимално прахоулавяне.

Към всяка от страните на отвора за прах може да се прикрепи вакуумен адаптер.

- Свържете вакуумния адаптер към прахосмукачката.
- Използвайте прахосмукачка, която е подходяща за материалите, които възнамерявате да почиствате.
- При всмукване на сух прах, който е вреден за здравето или канцерогенен, използвайте специална прахосмукачка.

#### Използване на торбата за прах

Използвайте торбата за прах за почистване на по-слабо замърсени места.

- Поставете адаптера за торбата за прах в отвора за прах.
- Редовно изпразвайте торбата за прах, за да поддържате оптимално събиране на прах.

Редовно изваждайте батерията и почиствайте отвора за прах. За изваждане на заседнали предмети използвайте подходящ инструмент.

**ЗАБЕЛЕЖКА:** Не бъркайте с ръце в отвора за прах.

Можете да се нараните от движещите се части.



## ПОДДРЪЖКА

### ⚠ ПРЕДУПРЕЖДЕНИЕ

Продуктът не трябва никога да се включва в захранване, когато сглобявате части, правите настройки, почиствате, извършвате поддръжка или когато не го използвате. Изключването на продукта от захранването ще предотврати случайно стартиране, което би могло да причини сериозни наранявания.

### ⚠ ПРЕДУПРЕЖДЕНИЕ

При обслужване използвайте само оригинални резервни части, аксесоари и средства за прикрепване на производителя. Използването на други части може да ви постави в опасност или да повреди продукта.

- Избягвайте използването на разтворители при почистването на пластмасовите части. Повечето пластмаси са чувствителни към различни видове разтворители и може да се повредят при използването на такива. Използвайте меки кърпи за отстраняване на замърсявания, въглероден прах и др.

### ⚠ ПРЕДУПРЕЖДЕНИЕ

В никакъв случай не позволявайте пластмасовите части да влизат в контакт със спирални течности, нефтени продукти, проникващи масла и т.н. Химикалите могат да повредят, отслабят или унищожат пластмасата, което може да доведе до сериозни физически наранявания.

### ⚠ ПРЕДУПРЕЖДЕНИЕ

За по-голяма безопасност и надеждност всички ремонти трябва да се извършват от оторизиран сервис.

- Винаги носете предпазна маска или очила със странични екрани, когато боравите с механизирани инструменти или издухвате прах. Ако при работата се отделя прах, използвайте и маска за предпазване от него.
- Αντικαταστήστε τις φαρμάκους Λεπίδες με καινούριες.
- Ножът има остри ръбове и може също да остане горещ след операциите за рязане. Проявявайте изключително внимание, когато почиствате незащитен нож. Носете ръкавици, за да се предпазите от нараняване.

## СМАЗВАНЕ

Всички лагери в този продукт за смазани с достатъчно количество висококачествено масло, което трябва да стигне за целия експлоатационен живот на инструмента при нормални работни условия. Затова не е необходимо допълнително смазване.

## ОПАЗВАНЕ НА ОКОЛНАТА СРЕДА



Рециклиране на суровини, вместо за обезвреждане като отпадък. Машината, допълнителните приспособления и опаковките трябва да бъдат подложени на подходяща преработка за оползотворяване на съдържащите се в тях вторични суровини.

## СИМВОЛИ НА ПРОДУКТА



Предупреждение относно безопасността



Скорост на празен ход



Напрежение



Постоянен ток



Прочетете инструкциите внимателно, преди да стартирате машината.



CE съответствие



EurAsian знак за съответствие



Украински знак за съответствие



Максимален капацитет на рендосване



Максимален капацитет на рендосване



Носете защитни средства за очи



Електрическите уреди не трябва да се изхвърлят заедно с битовите отпадъци. Рециклирайте, където има възможност. Обърнете се за съвет по рециклирането към местните власти или разпространителите.

## СИМВОЛИ В НАСТОЯЩОТО РЪКОВОДСТВО



Забележка



Частите или принадлежностите се продават отделно



Отключване



## Ключалка

Следните сигнални думи и техните съответни значения обясняват нивата на опасност, свързани с употребата на този продукт:

### **ОПАСНОСТ**

Указва неминуемо опасна ситуация, която ако не бъде избегната, ще доведе до сериозни наранявания или смърт.

### **ПРЕДУПРЕЖДЕНИЕ**

Указва потенциално опасна ситуация, която ако не бъде избегната, може да доведе до сериозни наранявания или смърт.

### **ВНИМАНИЕ**

Указва потенциално опасна ситуация, която ако не бъде избегната, може да доведе до дребни или средни наранявания.

### **ВНИМАНИЕ**

(Без предупредителен символ за безопасност) Указва ситуация, която може да доведе до имуществени щети.



Головними міркуваннями при розробці цього рубанка були безпека, ефективність та надійність.

### ПРИЗНАЧЕННЯ

Рубанок призначена для використання тільки дорослими, які уважно прочитали і зрозуміли інструкції та попередження у цій інструкції з використання, і можуть вважатися відповідальним за свої дії.

Рубанок призначений лише для обробки деревини (видалення рівного шару для отримання гладкої поверхні) та фальцювання деревини.

Цей рубанок не призначений для використання в якості стаціонарного інструменту.

Продукт повинен бути використаний тільки в добре провітрюваних приміщеннях.

Пристрій призначений тільки для домашнього використання. Не використовуйте пристрій для будь-яких інших цілей.

### ⚠ ПОПЕРЕДЖЕННЯ

**Прочитайте всі правила безпеки, інструкції, ілюстрації і специфікації, що поставляються з електроінструментом.** Недотримання всіх зазначених інструкцій може призвести до ураження електричним струмом, пожежі та/або серйозних травм.

Збережіть всі інструкції і вказівки для майбутнього використання.

### ЗАХОДИ БЕЗПЕКИ ПРИ РОБОТІ З РУБАНКОМ

- **Перш ніж відкласти рубанок, дочекайтеся, доки ножі зупиняться.** Відкритий ніж, що обертається, може чіплятися за поверхню, що може призвести до втрати контролю та серйозної травми.
- **Використовуйте затискачі або інший практичний спосіб забезпечити і підтримувати заготовку на стійкій платформі.** Тримання заготовки рукою або проти тіла, залишає її нестабільною і може призвести до втрати контролю.

### ДОДАТКОВІ ЗАХОДИ БЕЗПЕКИ

- Тримайте інструмент тільки за ізольовані поверхні. Різка провода "під напругою" може зробити металеві частини електроінструменту "під напругою", і може надати оператору ураження електричним струмом.
- Пил, що утворюється при використанні цього інструменту може бути шкідливим для здоров'я, не вдихайте пил. Використовуйте систему всмоктування пилу і носіть підходящу маску захисту від пилу. Видаліть нанесений пил ретельно за допомогою пилососа.
- Не видаляйте тріски або тирсу під час роботи інструменту.
- Ножі для стругання мають бути гостримі; слідкуйте за відсутністю металу (гвіздків, шурупів). Перевірте робочий елемент перед струганням.
- Не торкайтеся небезпечних зон інструменту, якщо

він підключений до мережі живлення.

- Розмістіть рубанок так, щоб передня пластина торкнулася деталі, що обробляється, але ніж не торкався її, увімкніть інструмент та повільно направте в потрібному напрямку.
- Виріз у формі літери V у передній частині опорної пластини забезпечує безпечне зняття фаски з країв.

**Примітка:** Поворотний кожух, який відчиняється автоматично, слід відчиняти тільки за допомогою заготовки або важеля.

**Примітка:** Заборонено поміщати пальці у отвір для пилу. Вони можуть бути травмовані обертаючимся лезом.

- Зупиніть пристрій, переконайтеся, що лезо повністю зупинилось та вийміть акумулятор перед:
  - очищенням закупорень або прочищенням
  - перевіркою, очищенням та роботою з пристроєм
- Використовуйте пристрій для збору пилу або підключіть пилосос для вакуумного приладу при роботі з продуктом.
- Діапазон температури навколишнього середовища для пристрою під час використання від 0°C до 40°C.
- Діапазон температури навколишнього середовища для пристрою під час зберігання від 0°C до 40°C.
- Рекомендований діапазон температури зовнішнього середовища для системи заряджання під час заряджання між 10°C та 38°C.

### ДОДАТКОВІ ПОПЕРЕДЖЕННЯ З ТЕХНІКИ БЕЗПЕКИ ЩОДО ВИКОРИСТАННЯ АКУМУЛЯТОРІВ

#### ⚠ ПОПЕРЕДЖЕННЯ

Для запобігання небезпеці пожежі в результаті короткого замикання, травм та пошкодження виробів не занурюйте інструмент, змінний акумулятор або зарядний пристрій у рідину і не допускайте потрапляння рідини всередину пристроїв або акумуляторів. Корозійні і струмопровідні рідини, такі як солоний розчин, певні хімікати, вибілювальні засоби або продукти, що їх містять, можуть призвести до короткого замикання.

- Діапазон температури навколишнього середовища для акумулятора під час використання між 0°C та 40°C.
- Діапазон температур зовнішнього середовища під час зберігання акумулятора між 0°C та 20°C.

### ТРАНСПОРТУВАННЯ ЛІТІЄВИХ БАТАРЕЙ

Транспортуйте батарею відповідно до місцевих та національних положень та правил.

Дотримуйтесь усіх спеціальних вимог щодо пакування та маркування при транспортуванні батареї третьою стороною. Переконайтеся, що батареї не можуть вступати в контакт з іншими батареями або провідними матеріалами при транспортуванні, захищаючи відкриті роз'єми ізоляційними непроводячими кришками або





стрічкою. Не перевозити батареї, які мають тріщини або протечки. Консультуйтеся з експедиторською компанією для подальших консультацій.

### ЗАЛИШКОВІ РИЗИКИ

Навіть коли продукт використовується як написано, залишається неможливим повністю усунути деякі залишкові чинники ризику. Наступні небезпеки можуть виникнути і оператор повинен звернути особливу увагу, щоб уникнути наступного:

- Травми, викликані пилом.
  - Використання пристрою буде виробляти значну кількість пилу і дрібних частинок. Використовуйте пристрій для збору пилу або підключіть пиловидаляючий вакуумний прилад при роботі з продуктом. Носіть респіратори, що містять фільтри, відповідні до оброблюваних матеріалів. Забезпечте достатню вентиляцію на робочому місці. Не їжте, не пийте і не паліть в робочій зоні. Працюйте тільки з матеріалами, зазначеними в розділі «Призначено для використання». Не працюйте з матеріалами (наприклад, азбестом), які становлять небезпеку для здоров'я.
- пошкодження, викликані шумом і вібрацією
  - Надягайте навушники під час роботи. Не використовуйте продукт протягом тривалого періоду часу. Дивіться «ЗНИЖЕННЯ РИЗИКУ».

### ЗНИЖЕННЯ РИЗИКУ

Повідомлялося, що вібрації від ручних інструментів у певних осіб можуть сприяти стану, який називається синдромом Рейно. Симптоми можуть включати поколювання, оніміння і збліднення пальців, як правило, очевидні при впливі холоду. Спадкові фактори, вплив холоду і вогкості, дієта, куріння і робоча практика, всі ці чинники роблять свій внесок у розвиток цих симптомів. Ці заходи можуть бути прийняті оператором, щоб можливо зменшити вплив вібрації:

- Тримайте тіло в теплі в холодну погоду. При експлуатації приладу, одягайте рукавички, щоб тримати руки і зап'ястя у теплі. Повідомлялося, що холодна погода є основним чинником, що сприяє синдрому Рейно.
- Після кожного періоду роботи, здійсніть вправи для підвищення кровообігу.
- Робіть часті перерви в роботі. Зробіть обмеження кількості впливу на день.

Якщо ви відчуваєте будь-які з симптомів цього стану, негайно припиніть використання і зверніться до лікаря з ціми симптомами.

### ⚠ ПОПЕРЕДЖЕННЯ

Тривале використання інструменту може викликати або посилити травми. При використанні інструменту протягом тривалого періоду, робіть регулярні перерви.

### ЗНАЙТЕ СВІЙ ПРОДУКТ.

Див. стор. 90.

1. Пружинний захисний щиток
2. Отвір для пилу
3. Ручка регулювання напрямку викидання тирси
4. Кнопка блокування
5. Клямка
6. Ручка регулювання глибини
7. Позначка напрямку викидання тирси
8. Шкала глибини
9. Гніздо для акумулятора
10. Лезо
11. Відкидна ніжка-опора
12. Гайковий ключ
13. Перехідник пильного мішка
14. Мішок для пилу
15. Вакуумний перехідник
16. Ручка бокового щитка
17. Боковий щиток

### ФУНКЦІОНУВАННЯ

#### ВИКОРИСТАННЯ ОТВОРУ ДЛЯ ПИЛУ

##### Використання пилососа

З'єднайте отвір для пилу із системою видалення пилу для забезпечення оптимального видалення.

Вакуумний адаптер має бути прилаштованої до іншої сторони отвору для пилу.

- З'єднайте вакуумний адаптер з пилососом.
- Використовуйте пилосос, що підходить для оброблюваного матеріалу.
- Використовуйте спеціальний пилосос при роботі з сухим пилом, який є шкідливим для здоров'я або є канцерогенним.

##### Використання мішку для пилу

Використовуйте мішок для пилу при невеликих обсягах робіт.

- Вставте адаптер мішку для пилу у отвір для пилу.
- Регулярно спустошуйте мішок для пилу для забезпечення оптимального збору пилу.

Регулярно виймайте акумулятор та очищайте отвір для пилу. Видаліть будь-які об'єкти засмічення за допомогою відповідного приладдя.

**ПРИМІТКА:** Заборонено поміщати руки у отвір для пилу. Вони можуть бути травмовані частинами, що обертаються.

## ОБСЛУГОВУВАННЯ

### ⚠ ПОПЕРЕДЖЕННЯ

Продукт не повинен бути підключений до джерела живлення при складанні деталей, регулюванні, чищенні, проведенні технічного обслуговування або коли продукт не використовується. Від'єднання пристрою від мережі живлення унеможливіє випадковий запуск пристрою, який може стати причиною серйозного травмування.

### ⚠ ПОПЕРЕДЖЕННЯ

При обслуговуванні використовуйте тільки оригінальні запасні частини аксесуари та обладнання від виробника. Використання будь-яких інших деталей може створити небезпеку або спричинити пошкодження продукту.

- Не використовуйте розчинники для очищення пластмасових деталей. Більшість пластмас вразлива до різних видів комерційних розчинників і може бути пошкоджена їх використанням. Використовуйте чисті ганчірки для видалення бруду і вугільного пилу.

### ⚠ ПОПЕРЕДЖЕННЯ

Ніколи не дозволяйте гальмівній рідині, бензину, продуктам на основі нафти, і проникаючим маслам вступати в контакт з пластиковими деталями. Хімічні речовини можуть пошкодити, послабити або знищити пластик, який може привести до серйозної травми.

### ⚠ ПОПЕРЕДЖЕННЯ

Для більшої безпеки і надійності, всі ремонтні роботи повинні виконуватися в авторизованому сервісному центрі.

- Завжди надягайте захисні окуляри або захисні окуляри з бічними щитками під час роботи електроінструмента або при здуванні пилу. Якщо робота пильна, також носіть захисну маску.
- Для більшої безпеки і надійності, всі ремонтні роботи повинні виконуватися в авторизованому сервісному центрі.
- Замініть ножі новими.
- Полотно пили має гостру ріжучу кромку і може бути гарячим після роботи. Будьте максимально обережними, чистіть полотно пили. Надягайте рукавиці, аби захиститися від травми.

## ЗМАЩУВАННЯ

Всі підшипники в продукті змащені достатньою кількістю високоякісного мастила для всього терміну служби продукту при нормальних умовах експлуатації. Таким чином, додаткове змащення не потрібно.

## ЗАХИСТ НАВКОЛИШНЬОГО СЕРЕДОВИЩА.



Переробляйте сировину замість утилізації в якості відходів. Машини, обладнання та упаковка повинні бути відсортовані для дружньої для навколишнього середовища утилізації.

## СИМВОЛИ НА ПРОДУКТІ



Попередження безпеки



Швидкість без навантаження



Вольти



Постійний струм



Будь ласка, уважно прочитайте інструкцію перед запуском продукту.



CE відповідність



Євразійський знак відповідності



Український знак відповідності



Максимальна зона стругання



Максимальна зона стругання



Носіть захист для очей



Відходи електротехнічної продукції не слід викидати разом із побутовими відходами. Будь ласка, переробляйте там, де наявне устаткування. Перевірте з вашим місцевим органом влади або продавцем для консультації з приводу переробки.

## СИМВОЛИ В ЦІЄЇ ІНСТРУКЦІЇ З ЕКСПЛУАТАЦІЇ



Примітка



Запасні деталі або приналежності продаються окремо



Розблокувати



Блокувати

Нижчевказані попереджальні слова та символи пояснюють рівень ризику при роботі з цим приладом.

#### **НЕБЕЗПЕКА**

Вказує на неминуче небезпечну ситуацію, яка, якщо її не уникнути, може призвести до смерті або серйозних травм.

#### **ПОПЕРЕДЖЕННЯ**

Вказує на потенційно небезпечну ситуацію, яка, якщо її не уникнути, може призвести до смерті або серйозних травм.

#### **УВАГА**

Вказує на потенційно небезпечну ситуацію, яка, якщо її не уникнути, може призвести до середньої або легкої травми.

#### **УВАГА**

(Без Символу попередження про небезпеку) Вказує на ситуацію, яка може привести до матеріальних збитків.

Planya makinenin tasarlanırken temel öncelik güvenlik, performans ve güvenilirlik özelliklerine verilmiştir.

### KULLANIM AMACI

Planya bu kılavuzdaki talimat ve uyarıları okuyup anlamış olan, davranışlarının sorumluluğunu alabilen yetişkinler tarafından kullanılması için tasarlanmıştır.

Ürün sadece, odun planyalamak (eşit miktarda bir tabakayı traşlayarak pürüzsüz, düz bir yüzey oluşturmak) ve odunda oluk açmak için üretilmiştir.

Ürün sabit renделе me işle mi için üretilmemiştir.

Ürün sadece iyi havalandırılmış alanlarda kullanılmalıdır.

Ürün sadece tüketici kullanımı için geliştirilmiştir. Bu ürünü belirtilen kullanım amacı dışında herhangi bir amaçla kullanmayın.

### ⚠ UYARI

**Bu aletle birlikte verilen tüm uyarı, talimat ve özellikleri dikkatlice okuyunuz ve resimli açıklamalara bakınız. Aşağıda belirtilen talimatlara uyulmaması, yangın, elektrik çarpması ve/veya ciddi bedensel yaralanmalar gibi kazalar sebep olabilir.**

Tüm uyarıları ve talimatları daha sonra başvurmak üzere saklayın.

### PLANYA GÜVENLİK UYARILARI

- **Aleti aşağıya alçaltmadan önce kesicinin durmasını bekleyin.** Dönen kesicinin yüzey ile teması kontrol kaybına ve ciddi yaralanmalara neden olabilir.
- **Çalışan parçayı sabit bir platforma sabitlemek için mengene veya diğer pratik yöntemleri kullanın.** Çalışan parçayı el ile veya vücuda dayalı olarak tutmak aletin dengesini bozarak kontrolü kaybetmenize yol açabilir.

### İLAVE GÜVENLİK KURALLARI

- Elektrikli aletleri her zaman yalnızca yalıtımlı kavrama yüzeylerinden tutun. Elektrik geçen kabloların kesilmesi, elektrikli aletin metal parçalarının elektrikle yüklenmesine ve kullanıcıyı elektrik çarpmasına neden olabilir.
- Bu aletin kullanımı sırasında meydana çıkan toz sağlığı zararlı olabilir. Tozu solumayın. Bir toz emme sistemi kullanın ve uygun bir toz maskesi takın. Ortaya çıkan tozu, elektrikli süpürge gibi bir makineyle iyice temizleyin.
- Alet çalışırken kıymıkları veya testere talaşlarını çıkarmaya çalışmayın.
- Sadece keskin bıçaklar ile renделе yapın, metallere dikkat edin (çiviler, vidalar). Planyalamadan önce iş parçasını kontrol edin.
- Prize takılı olan aletin tehlikeli bölgelerine temas etmeyin.
- Makinenin ön plakasını iş parçasının üstüne yerleştirin ve planya bıçağı iş parçasına dokunmadan açın ve sonra iş parçasının üzerinde eşit bir şekilde geçirin.
- Destekleyici plakanın önündeki v-şeklindeki çıkıntı kenarlara güvenli bir şekilde pah verilmesini sağlar.

**Not:** Otomatik açılan döner başlı muhafaza yalnızca iş

parçası tarafından veya kol ile kaldırılmalıdır.

**Not:** Toz kanalına parmaklarınızı uzatmayın. Dönen bıçaklar tarafından yaralanabilirler.

- Aşağıdakileri yapmadan önce ürünü durdurun, bıçağın tamamen durduğundan emin olun ve bataryaları çıkartın:
  - Bir tıkanıklığı temizlemeden veya açmadan önce
  - Ürünü kontrol etmeden, temizlemeden veya üzerinde çalışmadan önce
- Ürünü işleme alırken toz toplama makinesi kullanın ya da toz vakumu bağlayın.
- Alet için ortam sıcaklığı aralığı çalışma sırasında 0°C ile 40°C arasındadır.
- Alet için depolama ortam sıcaklığı aralığı 0°C ile 40°C arasındadır.
- Şarj sırasında şarj sistemi için önerilen ortam sıcaklığı aralığı 10°C ile 38°C arasındadır.

### PİL İÇİN EK GÜVENLİK UYARILARI

### ⚠ UYARI

Bir kısa devreden kaynaklanan yangın, yaralanma veya ürün hasarları tehlikesini önlemek için aleti, güç paketini veya şarj cihazını asla sıvıların içine daldırmayınız ve cihazların ve pillerin içine sıvı girmesini önleyiniz. Tuzlu su, belirli kimyasallar, aşartıcı madde veya aşartıcı madde içeren ürünler gibi korozif veya iletken sıvılar kısa devreye neden olabilir.

- Batarya için ortam sıcaklığı aralığı çalışma sırasında 0°C ile 40°C arasındadır.
- Batarya için depolama ortam sıcaklığı aralığı 0°C ile 20°C arasındadır.

### LİTYUM PİLLERİN NAKLİYESİ

Pili yerel ve ulusal hükümlere ve yönetmeliklere göre nakledin.

Piller üçüncü bir şahıs tarafından nakledilirken ambalaj ve etiket üzerindeki tüm özel gereksinimlere uyun. Açıktaki konektörleri iletken olmayan yalıtım başlıkları veya bandı ile koruyarak pillerin nakliye sırasında diğer pillerle veya iletken materyallerle temas etmediğinden emin olun. Çatlak veya sızıntı yapan pilleri nakletmeyin. Daha fazla bilgi için nakliye şirketine danışın.

### ARDIL RİSKLER

Ürün belirttiği şekilde kullanıldığı zaman bile belirli artık risk faktörlerinin tamamen ortadan kaldırılması mümkün değildir. Kullanım sırasında aşağıdaki tehlikeler ortaya çıkabilir ve operatör bunlardan kaçınmak için özellikle dikkat etmelidir:

- Toz kaynaklı yaralanmalar
  - Ürün kullanımı büyük ölçüde toz ve ince parçacık meydana getirecektir. Ürünü işleme alırken toz toplama makinesi kullanın ya da toz vakumu bağlayın. Üzerinde çalışılan materyale uygun filtreler içeren toz maskeleri takın. Çalışma yerinin uygun şekilde havalandırıldığından emin olun. Çalışma alanı içinde bir şey yemeyin, içmeyin veya sigara içmeyin. Sadece Kullanım Amacı bölümüne belirtilen malzemeler üzerinde kullanın. Sağlığı

tehdit eden materyaller (örneğin; asbest) üzerinde kullanmayın.

- Titreşim ve sestten meydana gelen yaralanma
  - İşlem sırasında kulak koruyucu kullanın. Ürünü uzun süre kullanmayın. Bkz. "Risk Azaltma".

## RİSK AZALTMA

El aletlerinden kaynaklanan titreşimlerin belirli kişilerde Raynaud Sendromu olarak adlandırılan bir durumu etkileyebileceği rapor edilmiştir. Karıncalanma, hissizlik ve parmakların sararması gibi genelde soğuğa maruz kaldıktan sonra görülen semptomlar oluşabilir. Kalıtsal faktörler, soğuğa ve neme maruz kalmak, diyet, sigara ve çalışma pratikleri de bu semptomların oluşmasına neden olabilecek etkenler olarak kabul edilmektedir. Titreşimin etkilerini azaltmak için operatör tarafından alınabilecek önlemler bulunmaktadır:

- Soğuk havalarda vücudunuzu sıcak tutun. Ürünü çalıştırırken ellerinizi ve bileklerinizi sıcak tutmak için eldiven takın. Soğuk havanın Raynaud Sendromunun ana tetikleyicilerinden olduğu bildirilmiştir.
- Her operasyon sürecinden sonra kan dolaşımını arttırmak için egzersiz yapın.
- Sık sık işe ara verin. Günlük maruziyet miktarını sınırlandırın.

Bu rahatsızlığın semptomlarından herhangi birini görürseniz, aleti kullanmayı derhal bırakın ve bir doktora görünün.

## ⚠ UYARI

Bir aletin uzun süre kullanılması nedeniyle yaralanmalar olabilir veya mevcut yaraların durumu kötüleşebilir. Herhangi bir aleti uzun bir süre boyunca kullanırken düzenli olarak ara vermeyi ihmal etmeyin.

## ÜRÜNÜNÜZÜ TANIYIN

Sayfa 90'ya bakın.

1. Yaylı bıçak muhafazası
2. Emme borusu
3. Toz akış yönü düğmesi
4. Çalıştırma düğmesinin kilit açma düğmesi
5. Tetik
6. Derinlik ayar düğmesi
7. Toz akış yönü işareti
8. Derinlik cetveli
9. Pili bağlantı noktası
10. Bıçak
11. Destek çubuğu
12. Servis anahtarı
13. Toz torbası adaptörü
14. Toz torbası
15. Vakum adaptörü
16. Yan parmaklık düğmesi
17. Yan parmaklık

## ÇALIŞTIRMA

### TOZ YUVASININ KULLANIMI

#### Bir elektrik süpürgesi kullanımı

En iyi çekimi elde etmek toz yuvasını bir toz çekim sistemine bağlayın.

Toz yuvasının herhangi bir tarafına bir vakum adaptörü takılabilir.

- Vakum adaptörünün bir elektrikli süpürgeye bağlayın.
- Çalışılan malzemeye uygun bir elektrikli süpürge kullanın.
- Sağlığa zararlı ya da kanserojen kuru tozu çekerken özel elektrikli süpürge kullanın.

#### Toz torbasının kullanımı

Küçük işler için toz torbası kullanın.

- Toz yuvasına toz torbası adaptörünü takın.
- En iyi toz toplama performansı için toz torbasını düzenli olarak boşaltın.

Pili çıkarın ve düzenli olarak toz yuvasını temizleyin. Uygun bir alet kullanarak tıkanıklıkları giderin.

**NOT:** Toz yuvasına ellerinizi uzatmayın. Dönen parçalar tarafından yaralanabilirler.

## BAKİM

### ⚠ UYARI

Parçaları monte ederken, ayar, temizlik, bakım çalışması yaparken veya ürün kullanılmadığı zaman ürünü asla güç kaynağına bağlamayın. Aleti güç kaynağından çıkartmak, ciddi yaralanmalara yol açabilecek kazara çalıştırmayı önler.

### ⚠ UYARI

Bakım yaparken yalnızca orijinal yedek parçaları, aksesuarları ve parçaları kullanın. Diğer parçaları kullanmak tehlike yaratabilir ya da hasara neden olabilir.

- Plastik parçaları temizlerken solventleri kullanmaktan kaçının. Plastiklerin çoğu ticari kullanımlı uçucu maddeler karşı hassastır. Lekeleri, tozu, vb. temizlemek için temiz bir bez kullanınız.

### ⚠ UYARI

Asla fren hidrolüğünün, benzinin, petrol esaslı ürünlerin, yüzeye işleyen yağların vb. plastik parçalarla temas etmesine izin vermeyin. Bu kimyasal ürünler plastik parçaları zara verebilir; kırılabilir ya da bozabilir.

### ⚠ UYARI

Güvenliği ve güvenilirliği arttırmak için tüm onarım çalışmaları yetkili bir servis merkezi tarafından gerçekleştirilmelidir.

- Elektrikli aletlerle çalışma veya toz üfleme işlemi esnasında daima yan siperlikleri bulunan koruyucu

gözlükler kullanın. İşlem tozlu olacaksa aynı zamanda bir toz maskesi de kullanın.

- Aşınan bıçakları yenileri ile değiştirin.
- Bıçağın keskin kenarları vardır ve aynı zamanda kesme işlemlerinden sonra sıcaklığını korur. Açığıtaki bıçağı temizlerken her zaman azami dikkat gösterin. Kendinizi kişisel yaralanmalardan korumak için eldiven takın.

### YAĞLAMA

Üründeki tüm yataklar normal çalışma koşullarında ürünün hizmet ömrü boyunca yeterli miktarda yüksek kalite yağ ile yağlanır. Buna göre, fazladan yağlama yapılmasına gerek yoktur.

### ÇEVRENİN KORUNMASI



Ham maddeleri çöp olarak atmak yerine geri dönüştürün. Çevreyi korumak için, alet, aksesuarlar ve ambalajlar tasnif edilmelidir.

### ÜRÜN ÜZERİNDEKİ SEMBOLLER



Güvenlik ikazı



Bota hız



Volt



Doğru akım



Makineyi çalıştırmadan talimatları dikkatlice okuyun.



CE uygunluğu



EurAsian Uyumluluk işareti



Ukrayna uygunluk işareti



Maksimum rendeleme kapasitesi



Maksimum rendeleme kapasitesi



Koruyucu gözlük kullanın



Atık elektrikli ürünler evsel atıklarla birlikte atılmamalıdır. Tesis bulunuyorsa lütfen geri dönüşüme verin. Geri dönüşümle ilgili tavsiye için Yerel Makamlarla veya bayi ile irtibat kurun.

### KİTAPÇIKTAKİ SEMBOLLER



Not



Parçalar ya da aksesuarlar ayrı olarak satılır.



Kilidi açma



Kilit

Aşağıdaki işaret sözcükleri ve anlamları, bu ürünle ilişkili risk seviyelerini açıklamaya yöneliktir:

#### ⚠ TEHLİKE

Önlenmemesi durumunda ölüm veya ciddi yaralanma ile sonuçlanacak, tehdit edici tehlikeli bir durumu gösterir.

#### ⚠ UYARI

Önlenmemesi durumunda ölüm veya ciddi yaralanma ile sonuçlanabilecek potansiyel olarak tehlikeli bir durumu gösterir.

#### ⚠ DİKKAT

Önlenmemesi durumunda önemsiz veya orta derece yaralanma ile sonuçlanabilecek potansiyel olarak tehlikeli bir durumu gösterir.

#### DİKKAT

(Güvenlik uyarı simgesiz) maddi hasarla sonuçlanabilecek bir durum belirtir.



Στον σχεδιασμό της πλάνης έχει δοθεί μέγιστη προτεραιότητα στην ασφάλεια, την απόδοση και την αξιοπιστία.

### ΠΡΟΟΡΙΖΟΜΕΝΗ ΧΡΗΣΗ

Η πλάνη προορίζεται για χρήση μόνο από ενήλικες που έχουν διαβάσει και κατανοήσει τις οδηγίες και προειδοποιήσεις αυτού του εγχειριδίου και μπορούν να θεωρηθούν υπεύθυνοι για τις πράξεις τους.

Το προϊόν προορίζεται μόνο για πλανάρισμα ξύλου (αφαίρεση ομοιόμορφου στρώματος για παροχή λείου, επίπεδου φινιρίσματος) και την γλυφή ξύλου.

Αυτό το προϊόν δεν προορίζεται για χρήση σταθερής λείανσης.

Το προϊόν πρέπει να χρησιμοποιείται μόνο σε χώρους με καλό εξαερισμό.

Το εργαλείο προορίζεται μόνο για καταναλωτική χρήση. Μην χρησιμοποιείτε το προϊόν με τρόπο διαφορετικό από αυτόν που αναφέρεται για τη χρήση του.

### ⚠️ ΠΡΟΕΙΔΟΠΟΙΗΣΗ

**Διαβάστε προσεκτικά όλες τις προειδοποιήσεις, οδηγίες και προδιαγραφές που παρέχονται με το εργαλείο και ανατρέξτε στις εικόνες.** Η μη τήρηση των ακόλουθων οδηγιών μπορεί να επιφέρει ατυχήματα όπως πυρκαγιές, ηλεκτροπληξίες ή και σοβαρό σωματικό τραυματισμό.

**Φυλάσσετε όλες τις προειδοποιήσεις και οδηγίες για μελλοντική χρήση.**

### ΠΡΟΕΙΔΟΠΟΙΗΣΕΙΣ ΑΣΦΑΛΕΙΑΣ ΓΙΑ ΤΗΝ ΠΛΑΝΗ

- **Περιμένε να σταματήσει ο κόπτης πριν αποθέσει το εργαλείο.** Ένας εκτεθειμένος περιστρεφόμενος κόπτης μπορεί να μαγκώσει σε κάποια επιφάνεια οδηγώντας σε πιθανή απώλεια του ελέγχου και σε σοβαρό τραυματισμό.
- **Χρησιμοποιείτε συσφίξεις ή άλλους πρακτικούς τρόπους για την ασφάλιση και υποστήριξη του τεμαχίου επεξεργασίας σε μια σταθερή πλατφόρμα.** Κρατώντας το τεμάχιο επεξεργασίας με το χέρι ή στηρίζοντας προς το σώμα, το τεμάχιο επεξεργασίας θα είναι ασταθές και μπορεί να συμβεί απώλεια του ελέγχου.

### ΕΠΙΠΡΟΣΘΕΤΟΙ ΚΑΝΟΝΕΣ ΑΣΦΑΛΕΙΑΣ

- Πάντα να κρατάτε τα ηλεκτρικά εργαλεία μόνο από μονωμένες επιφάνειες λαβής. Η κοπή ενός ηλεκτροφόρου καλωδίου μπορεί να ηλεκτροδοτήσει τα μεταλλικά τμήματα του μηχανοκίνητου εργαλείου προκαλώντας ηλεκτροπληξία στον χειριστή.
- Η δημιουργούμενη κατά την εργασία σκόνη είναι συχνά επιβλαβής για την υγεία (π.χ. κατά την επεξεργασία ξύλου δρυός και οξιάς, πετρωμάτων, χρωμάτων που μπορεί να εμπεριέχουν μόλυβδο ή άλλες βλαβερές ουσίες) και δεν πρέπει να έρχεται σε επαφή με το σώμα. Μην εισπνέετε τη σκόνη. Χρησιμοποιείτε μια διάταξη αναρρόφησης της σκόνης και φοράτε επιπλέον

μία κατάλληλη προσωπίδα προστασίας από τη σκόνη. Αφαιρείτε τα πριονίδια που έχουν μείνει προσεκτικά, π.χ. με ηλεκτρική σκούπα.

- Μην απομακρύνετε τις σκλήθρες ή σκόνη πριονίσματος ενώ το εργαλείο λειτουργεί.
- Λειανίστε μόνο με αιχμηρές λεπίδες, αποφεύγετε μέταλλα (καρφιά, βίδες). Ελέγξτε το τεμάχιο εργασίας πριν το πλανάρισμα.
- Μη προσεγγίσετε την περιοχή κινδύνου του εργαλείου, όταν αυτό είναι συνδεδεμένο.
- Τοποθετήστε τη μπροστινή πλάκα του μηχανήματος στο τεμάχιο εργασίας και ενεργοποιήστε το πριν η λεπίδα της πλάνης το ακουμπήσει και στη συνέχεια οδηγήστε τη ομοιόμορφα.
- Η εγκοπή σε σχήμα V στο εμπρός τμήμα της υποστηρικτικής επιφάνειας εξασφαλίζει ασφαλή φάλσσοκόμψιμο των άκρων.

**Σημείωση:** Ο αυτοανοιγόμενος περιστρεφόμενος προφυλακτήρας πρέπει να ανασηκώνεται είτε με το τεμάχιο εργασίας ή με τον μοχλό.

**Σημείωση:** Μη βάζετε τα δάχτυλά σας στη θύρα απορρόφησης σκόνης. Μπορεί να τραυματιστείτε από τις περιστρεφόμενες λεπίδες.

- Διακόψτε τη λειτουργία του μηχανήματος, βεβαιωθείτε ότι η λεπίδα έχει σταματήσει να κινείται και αφαιρέστε την μπαταρία πριν:
  - Καθαρίσετε ένα μπλοκάρισμα ή αποφράξτε τη γλιστρα απόρριψης
  - Ελέγξτε, καθαρίστε ή εργαστείτε με τη συσκευή
- Χρησιμοποιήστε τη συσκευή συλλογής σκόνης ή συνδέστε μία αντλία απόσπασης σκόνης όταν χρησιμοποιείτε το προϊόν.
- Το εύρος θερμοκρασίας περιβάλλοντος για το εργαλείο στη διάρκεια της λειτουργίας είναι μεταξύ 0 °C και 40 °C.
- Το εύρος θερμοκρασίας περιβάλλοντος για το εργαλείο στην αποθήκευση είναι μεταξύ 0 °C και 40 °C.
- Το συνιστώμενο εύρος θερμοκρασίας περιβάλλοντος για το σύστημα φόρτισης στη διάρκεια της φόρτισης είναι μεταξύ 10 °C και 38 °C.

### ΕΠΙΠΡΟΣΘΕΤΕΣ ΠΡΟΕΙΔΟΠΟΙΗΣΕΙΣ ΑΣΦΑΛΕΙΑΣ ΜΠΑΤΑΡΙΑΣ

#### ⚠️ ΠΡΟΕΙΔΟΠΟΙΗΣΗ

Για να αποτρέπεται τον κίνδυνο πυρκαγιών λόγω βραχυκυκλώματος, τραυματισμούς ή ζημιές του προϊόντος, να μη βυθίζετε το εργαλείο, τον ανταλλακτικό συσσωρευτή ή τη συσκευή φόρτισης σε υγρά και να φροντίζετε, ώστε να μη διεισδύουν υγρά στις συσκευές και τους συσσωρευτές Διαβρωτικές ή αγώγιμες υγρές ουσίες, όπως αλατόνερο, ορισμένες χημικές ουσίες και λευκαντικά ή προϊόντα που περιέχουν λευκαντικά, μπορεί να προκαλέσουν βραχυκύκλωμα.

- Το εύρος θερμοκρασίας περιβάλλοντος για την μπαταρία στη διάρκεια της χρήσης είναι μεταξύ 0 °C και 40 °C.

EN  
FR  
DE  
ES  
IT  
NL  
PT  
DA  
SV  
FI  
NO  
RU  
PL  
CS  
HU  
RO  
LV  
LT  
ET  
HR  
SL  
SK  
BG  
UK  
TR  
EL





- Το εύρος θερμοκρασίας περιβάλλοντος για την αποθήκευση της μπαταρίας είναι μεταξύ 0 °C και 20 °C.

### ΜΕΤΑΦΟΡΑ ΜΠΑΤΑΡΙΩΝ ΛΙΘΙΟΥ

Μεταφέρετε τη μπαταρία σε συμφωνία με τις τοπικές εθνικές διατάξεις και τους κανονισμούς.

Τηρείτε όλες τις ειδικές απαιτήσεις στη συσκευασία και στην ετικέτα κατά τη μεταφορά των μπαταριών από τρίτους. Εξασφαλίστε ότι δεν θα έρχονται σε επαφή οι μπαταρίες με άλλες μπαταρίες ή με αγώγιμα υλικά κατά τη διάρκεια της μεταφοράς, προστατεύοντας τους εκτεθειμένους συνδέσμους με μόνωση, μη αγώγιμα πώματα ή ταινία. Μη μεταφέρετε μπαταρίες που έχουν χτυπήματα ή διαρροή. Ενημερωθείτε από τη πρακτορεία μεταφορών για περαιτέρω ειδοποιήσεις.

### ΆΛΛΟΙ ΚΙΝΔΥΝΟΙ

Ακόμη και όταν το προϊόν χρησιμοποιείται σύμφωνα με τις οδηγίες, δεν είναι δυνατή η απόλυτη απαλειφή συγκεκριμένων παραγόντων κινδύνου. Κατά τη χρήση μπορεί να προκύψουν οι ακόλουθοι κίνδυνοι και ο χειριστής πρέπει να δίδει ιδιαίτερη προσοχή προς αποφυγή των εξής:

- Τραυματισμός που προκαλείται από τη σκόνη
  - Η χρήση του προϊόντος προκαλεί σημαντικές ποσότητες σκόνης και μικρών σωματιδίων. Χρησιμοποιήστε τη συσκευή συλλογής σκόνης ή συνδέστε μία αντλία απόσπασης σκόνης όταν χρησιμοποιείτε το προϊόν. Φοράτε ειδικές μάσκες με φίλτρα κατάλληλα για τα υλικά στα οποία εργάζεστε. Βεβαιωθείτε ότι υπάρχει επαρκής εξαερισμός του χώρου εργασίας. Μην τρώτε, πίνετε ή καπνίζετε στον χώρο εργασίας. Να χρησιμοποιείται μόνο σε υλικά που καθορίζονται στην ενότητα Προβλεπόμενη χρήση. Μην το χρησιμοποιείτε σε υλικά (π.χ. αμίαντος) που αποτελούν κίνδυνο για την υγεία.
- Τραυματισμοί εξαιτίας θορύβου και κραδασμών
  - Φοράτε προστατευτικά αυτιών κατά την χρήση. Μην χρησιμοποιείτε το προϊόν για μεγάλα χρονικά διαστήματα. Βλ. "Μείωση Κινδύνου".

### ΜΕΙΩΣΗ ΚΙΝΔΥΝΟΥ

Έχει αναφερθεί ότι οι κραδασμοί των χειροκίνητων εργαλείων μπορεί να συμβάλει σε μια πάθηση γνωστή ως Σύνδρομο Raynaud σε ορισμένα άτομα. Τα συμπτώματα περιλαμβάνουν κνησμό, μούδιασμα και λευκότητα των δακτύλων, που εμφανίζονται συνήθως μετά την έκθεση σε κρύο. Κληρονομικοί παράγοντες, έκθεση σε κρύο και υγρασία, κάπνισμα και πρακτικές εργασίας θεωρείται ότι συμβάλλουν στην εκδήλωση των συμπτωμάτων. Υπάρχουν μέτρα που μπορούν να ληφθούν από τον χειριστή για να μειωθούν πιθανώς οι επιδράσεις των κραδασμών:

- Διατηρείτε το σώμα σας ζεστό όταν ο καιρός είναι ψυχρός. Φοράτε γάντια κατά τον χειρισμό του μηχανήματος, για να διατηρείτε ζεστά τα χέρια και τους καρπούς σας. Ο ψυχρός καιρός είναι κύριος παράγοντας που συμβάλλει στην εκδήλωση του συνδρόμου Raynaud.

- Μετά από κάθε περίοδο λειτουργίας, κάνετε ασκήσεις για να αυξάνετε την κυκλοφορία αίματος.
- Κάνετε τακτικά διαλείμματα κατά την εργασία. Περιορίζετε το σύνολο έκθεσης ανά ημέρα.

Αν παρουσιάσετε οποιοδήποτε σύμπτωμα αυτής της πάθησης, διακόψτε αμέσως τη χρήση και συμβουλευτείτε τον γιατρό σας για τα συμπτώματα.

### ΠΡΟΕΙΔΟΠΟΙΗΣΗ

Υπάρχει κίνδυνος πρόκλησης ή επιδείνωσης τραυματισμού, από την παρατεταμένη χρήση εργαλείου. Όταν χρησιμοποιείτε το εργαλείο για μεγάλες περιόδους, κάνετε τακτικά διαλείμματα.

### ΓΝΩΡΙΣΤΕ ΤΟ ΠΡΟΪΟΝ ΣΑΣ

Βλέπε σελίδα 90.

1. Προφυλακτίρας λεπίδας με ελατήριο
2. Στόμιο αναρρόφησης
3. Διακόπτης ροής σκόνης
4. Κουμπί απαασφάλισης της σκανδάλης
5. Διακόπτης
6. Διακόπτης ρύθμισης βάθους
7. Αύλακας ροής σκόνης
8. Κλίμακα βάθους
9. Θύρα μεταβολής
10. Λάμα
11. Βάση στήριξης
12. Κλειδί
13. Προσαρμογέας συλλέκτη σκόνης
14. Σακούλα σκόνης
15. Προσαρμογέας αναρροφητήρα
16. Διακόπτης πλαϊνού οδηγού
17. Πλαϊνός οδηγός

### ΛΕΙΤΟΥΡΓΙΑ

#### ΧΡΗΣΗ ΤΗΣ ΘΥΡΑΣ ΑΠΟΡΡΟΦΗΣΗΣ ΣΚΟΝΗΣ

##### Χρήση συσκευής καθαρισμού απορρόφησης.

Συνδέστε στη θύρα απορρόφησης σκόνης το σύστημα εξαγωγής σκόνης προκειμένου να εξασφαλίσετε τη μέγιστη απορρόφηση.

Μπορεί να συνδεθεί προσαρμογέας απορρόφησης σε μια από τις δύο πλευρές της θύρας απορρόφησης σκόνης.

- Συνδέστε τον προσαρμογέα απορρόφησης σε μια συσκευή καθαρισμού απορρόφησης.
- Χρησιμοποιήστε τη συσκευή καθαρισμού απορρόφησης, που είναι κατάλληλη για το υλικό με το οποίο εργάζεστε.
- Χρησιμοποιείτε ειδική συσκευή καθαρισμού απορρόφησης για την απορρόφηση στεγνής σκόνης, η οποία είναι επιβλαβής για την υγεία ή μπορεί να καταστεί καρκινογόνα.

##### Χρήση της σακούλας συλλογής σκόνης

Χρήση της σακούλας συλλογής σκόνης για μικρότερες εργασίες.

- Συνδέστε τον προσαρμογέα της σακούλας συλλογής





σκόνης στη θύρα απορρόφησης σκόνης.

- Αδειάζετε τη σακούλα συλλογής σκόνης τακτικά ώστε να εξασφαλίσετε τη μέγιστη απορρόφηση σκόνης.

Αφαιρείτε την μπαταρία και καθαρίζετε τη θύρα απορρόφησης σκόνης τακτικά. Αφαιρείτε τυχόν αντικείμενα που φράζουν τη θύρα με χρήση κατάλληλου εργαλείου.

**ΣΗΜΕΙΩΣΗ:** Μη βάζετε τα χέρια σας στη θύρα απορρόφησης σκόνης. Μπορεί να τραυματιστείτε από τα περιστρεφόμενα τμήματα.

## ΣΥΝΤΗΡΗΣΗ

### ⚠ ΠΡΟΕΙΔΟΠΟΙΗΣΗ

Το προϊόν δεν πρέπει ποτέ να συνδέεται σε παροχή ισχύος όταν συναρμολογείτε εξαρτήματα, όταν διεξάγετε ρυθμίσεις, καθαρισμό, συντήρηση ή όταν το προϊόν δε χρησιμοποιείται. Αποσυνδέοντας τη συσκευή από την παροχή ρεύματος προλαμβάνει την ακούσια ενεργοποίηση της η οποία μπορεί να επιφέρει σοβαρό τραυματισμό.

### ⚠ ΠΡΟΕΙΔΟΠΟΙΗΣΗ

Χρησιμοποιείτε μόνο αυθεντικά ανταλλακτικά, εξαρτήματα και προσαρτήματα στις εργασίες επισκευής. Η χρήση οποιοδήποτε άλλου ανταλλακτικού μπορεί να παρουσιάσει κίνδυνο ή να προκαλέσει ζημιά στο εργαλείο σας.

- Αποφύγετε τη χρήση διαλυτών κατά τον καθαρισμό πλαστικών εξαρτημάτων. Τα περισσότερα πλαστικά μπορούν να υποστούν ζημιά από τη χρήση ορισμένων διαλυτών που διατίθενται στο εμπόριο. Χρησιμοποιήστε ένα καθαρό πανάκι για να καθαρίσετε τις ακαθαρσίες, τη σκόνη, κλπ.

### ⚠ ΠΡΟΕΙΔΟΠΟΙΗΣΗ

Σε καμία περίπτωση μην επιτρέπετε τα υγρά φρένων, η βενζίνη, προϊόντα με βάση το πετρέλαιο, έλαια που διεισδύουν κλπ. να έρχονται σε επαφή με πλαστικά τμήματα. Αυτά τα χημικά προϊόντα περιέχουν ουσίες οι οποίες μπορούν να προσξενήσουν ζημιά, να μειώσουν ή να καταστρέψουν το πλαστικό.

### ⚠ ΠΡΟΕΙΔΟΠΟΙΗΣΗ

Για μεγαλύτερη ασφάλεια και αξιοπιστία, όλες οι επισκευές πρέπει να διεξάγονται από ένα εξουσιοδοτημένο κέντρο σέρβις.

- Φοράτε πάντα προστατευτικά γυαλιά ή γυαλιά ασφαλείας με πλαϊνές ασπίδες κατά τον χειρισμό μηχανοκίνητων εργαλείων ή σε εργασίες με σκόνη. Αν η εργασία προκαλεί σκόνη, φοράτε και ειδική μάσκα.
- Για μεγαλύτερη ασφάλεια και αξιοπιστία, όλες οι επισκευές πρέπει να διεξάγονται από ένα εξουσιοδοτημένο κέντρο σέρβις.
- Αντικαταστήστε τις φθαρμένες λεπίδες με καινούριες.

- Η λεπίδα έχει αιχμηρές άκρες και μπορεί να είναι καυτή για κάποια ώρα μετά την εκτέλεση κοπτικών εργασιών. Επιδείξτε ιδιαίτερη προσοχή κατά τον καθαρισμό γυμνών λεπίδων. Χρησιμοποιείτε γάντια προς αποφυγή τραυματισμών.

## ΛΙΠΑΝΣΗ

Όλα τα έδρανα στο προϊόν έχουν λιπανθεί με επαρκή ποσότητα λιπαντικού υψηλής ποιότητας για όλη τη διάρκεια ζωής του προϊόντος, υπό φυσιολογικές συνθήκες λειτουργίας. Συνεπώς, δε χρειάζεται καμία επιπλέον λίπανση.

## ΠΡΟΣΤΑΣΙΑ ΤΟΥ ΠΕΡΙΒΑΛΛΟΝΤΟΣ



Ανακυκλώνετε τις πρώτες ύλες αντί να τις πετάτε ως απορρίμματα. Για την προστασία του περιβάλλοντος, πρέπει να γίνεται η διαλογή του εργαλείου, των εξαρτημάτων και των συσκευασιών του.

## ΣΥΜΒΟΛΑ ΣΤΟ ΠΡΟΪΟΝ



Προειδοποίηση ασφαλείας



Ταύτητα στ κεν



Βλτ



Συνεχές ρεύμα



Παρακαλούμε διαβάστε τις οδηγίες προσεκτικά πριν ξεκινήσετε το μηχάνημα.



Συμμόρφωση CE



EurAsian σήμα πιστότητας



Ουκρανικό σήμα συμμόρφωσης



Μέγιστη απόδοση λείανσης



Μέγιστη απόδοση λείανσης



Φοράτε προστατευτικά ματιών



Τα ηλεκτρικά προϊόντα προς απόρριψη δεν θα πρέπει να απορρίπτονται μαζί με τα οικιακά απόβλητα. Παρακαλούμε ανακυκλώστε όπου υπάρχουν οι αντίστοιχες εγκαταστάσεις. Μιλήστε με τις τοπικές αρχές ή τον πωλητή για να σας ενημερώσουν σχετικά με τα προγράμματα ανακύκλωσης.

## ΣΥΜΒΟΛΑ ΣΤΟ ΕΓΧΕΙΡΙΔΙΟ



Σημείωση



Ανταλλακτικά και εξαρτήματα πωλούνται χωριστά



Ξεκλείδωμα



Κλείδωμα

Οι ακόλουθες προειδοποιητικές λέξεις και έννοιες προορίζονται να εξηγήσουν τα επίπεδα κινδύνου που συνδέονται με αυτό το προϊόν:

### ΚΙΝΔΥΝΟΣ

Υποδεικνύει μια επικείμενη επικίνδυνη κατάσταση, η οποία, αν δεν αποφευχθεί, θα οδηγήσει σε θάνατο ή σοβαρό τραυματισμό.

### ΠΡΟΕΙΔΟΠΟΙΗΣΗ

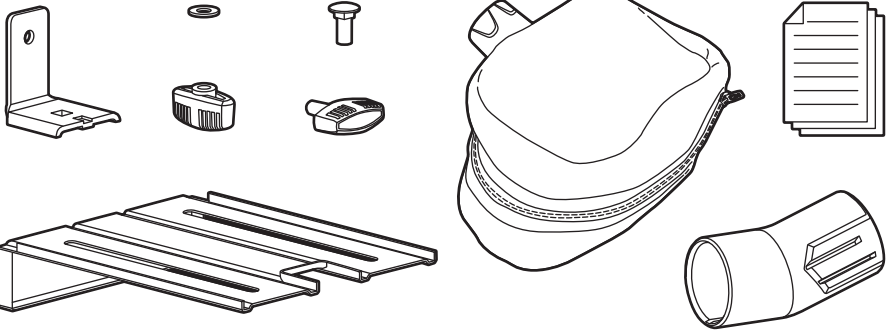
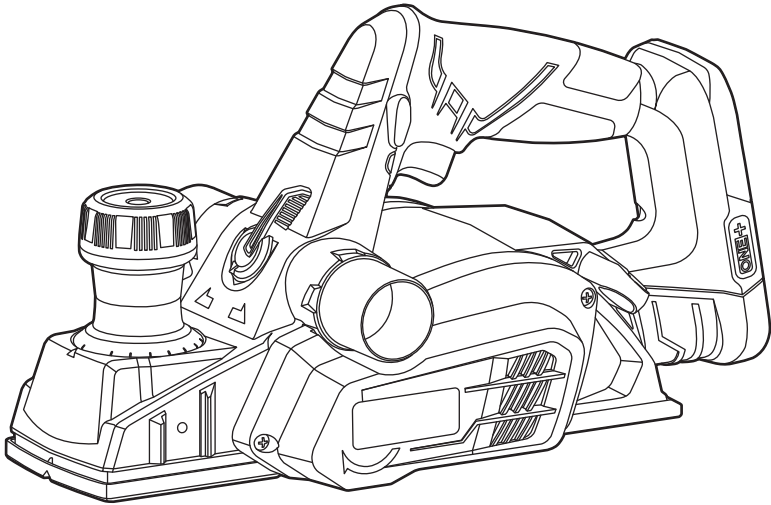
Υποδεικνύει μια δυνητικά επικίνδυνη κατάσταση, η οποία, αν δεν αποφευχθεί, θα οδηγήσει σε θάνατο ή σοβαρό τραυματισμό.

### ΠΡΟΣΟΧΗ

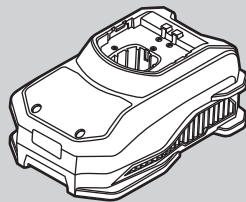
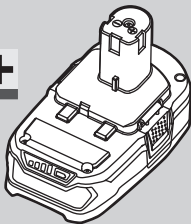
Υποδεικνύει μια δυνητικά επικίνδυνη κατάσταση, η οποία, αν δεν αποφευχθεί, ενδέχεται να οδηγήσει σε ελαφρύ ή μέτριο τραυματισμό.

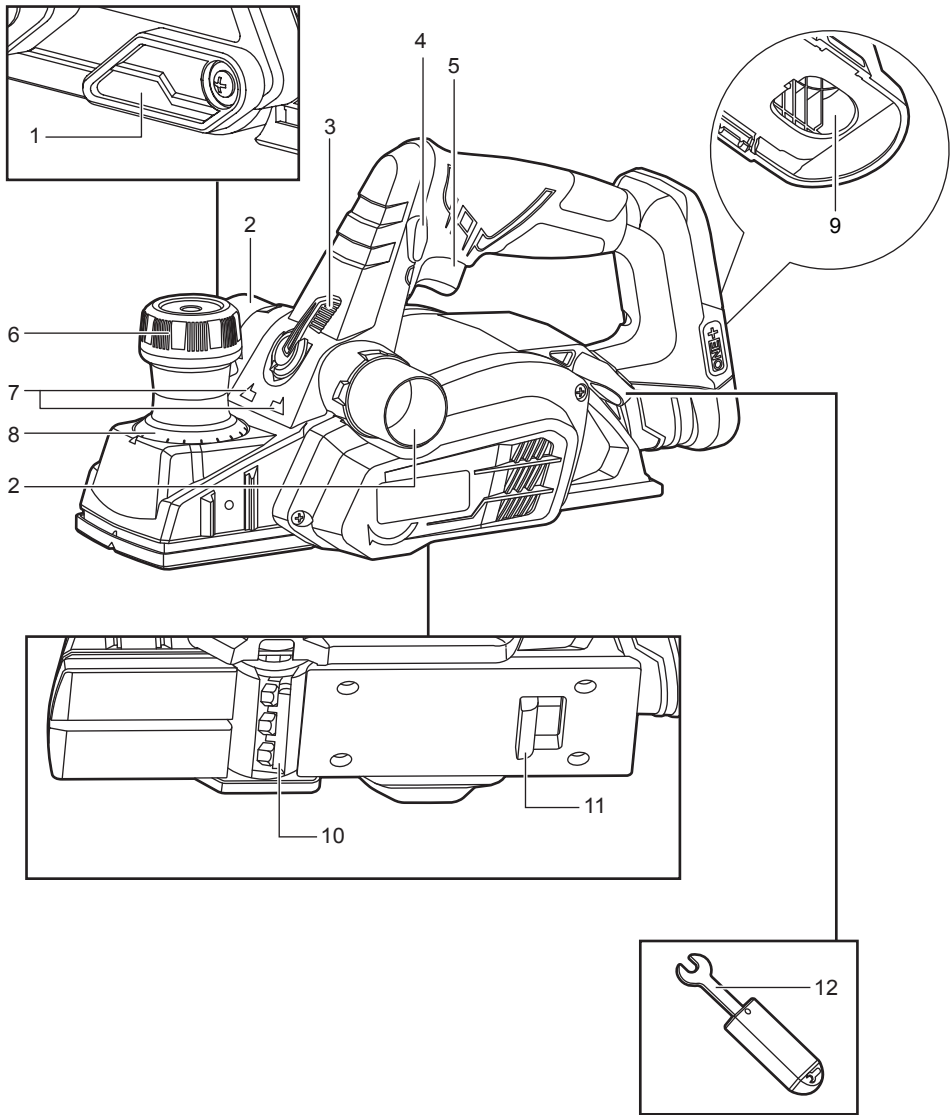
### ΠΡΟΣΟΧΗ

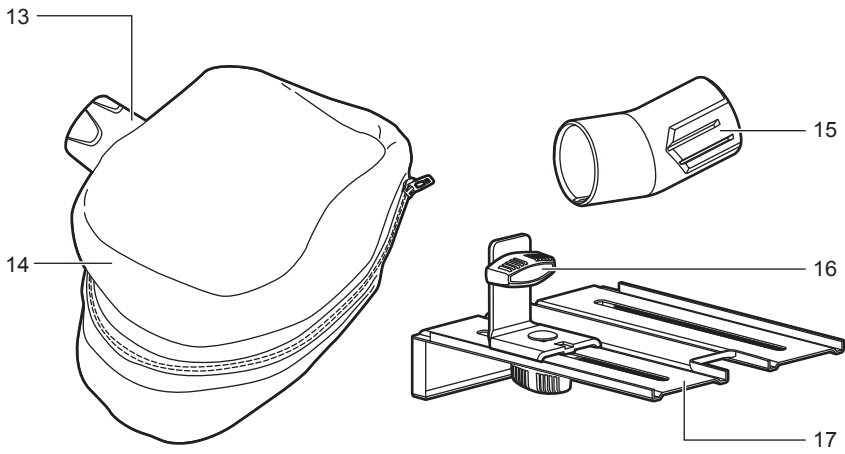
(Χωρίς προειδοποιητικό σύμβολο) Επισημαίνει μια κατάσταση που ενδέχεται να προκαλέσει υλικές ζημιές.

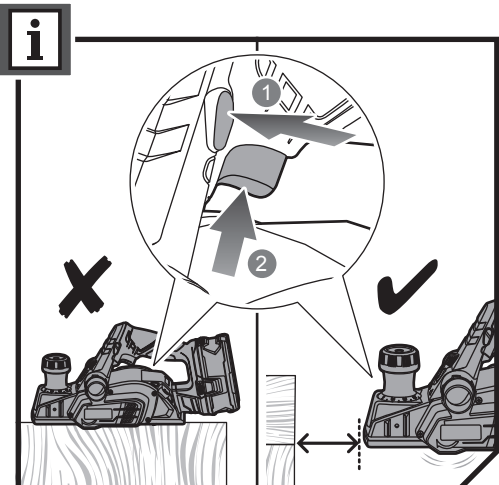
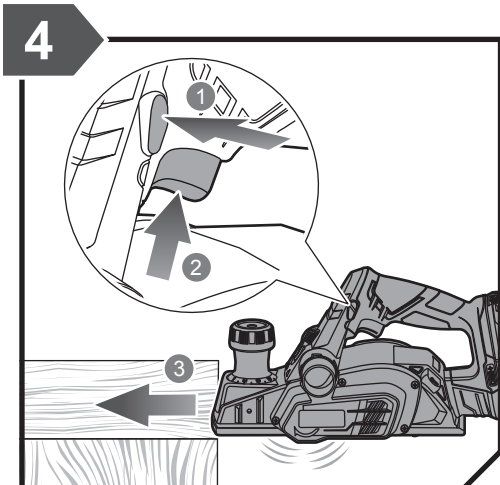
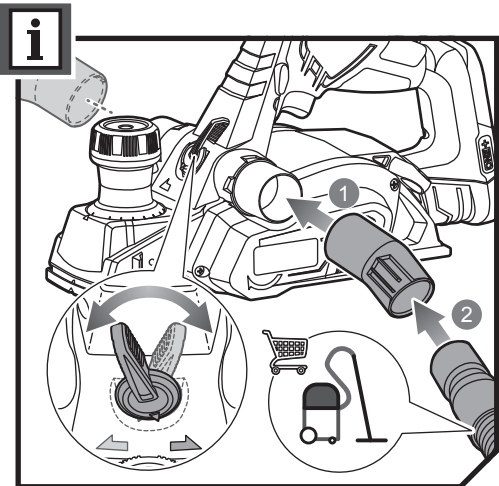
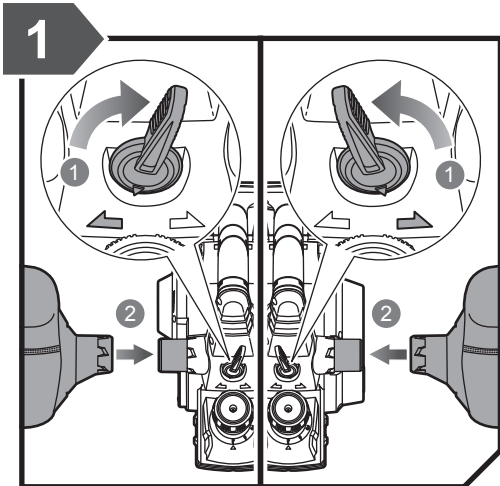


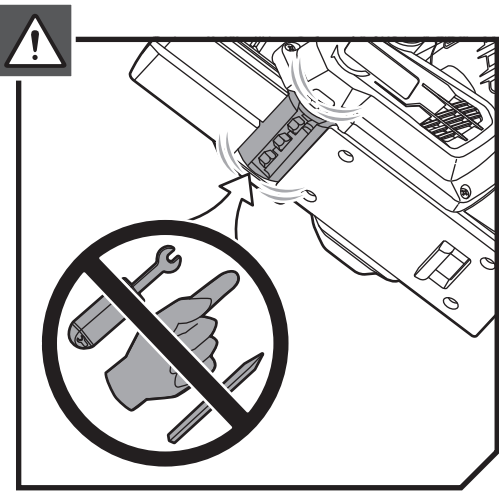
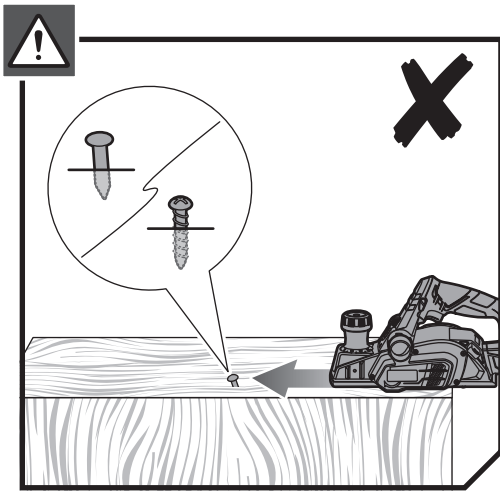
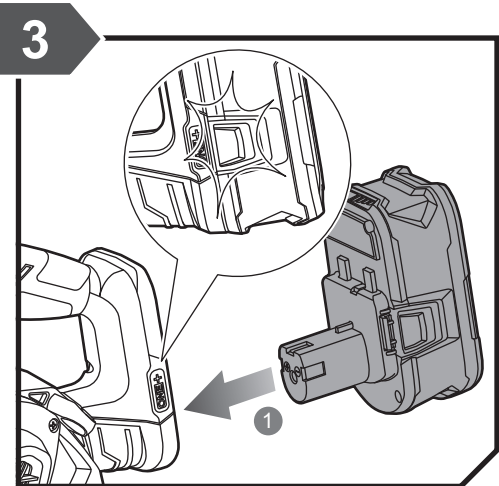
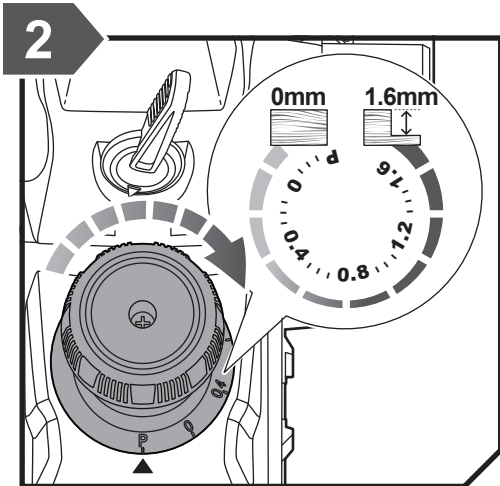
**RYOBI** ONE+  
18V System

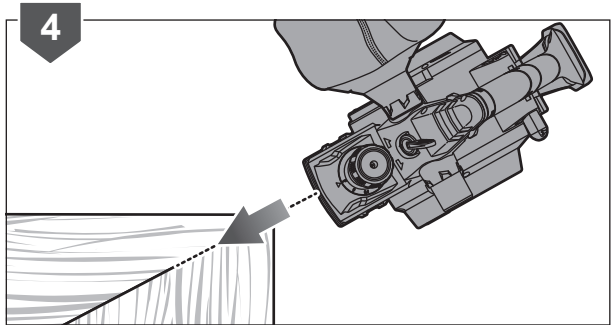
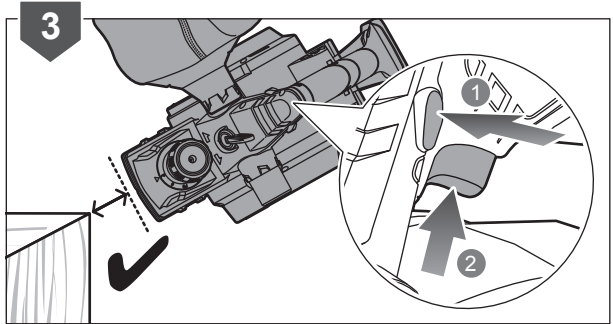
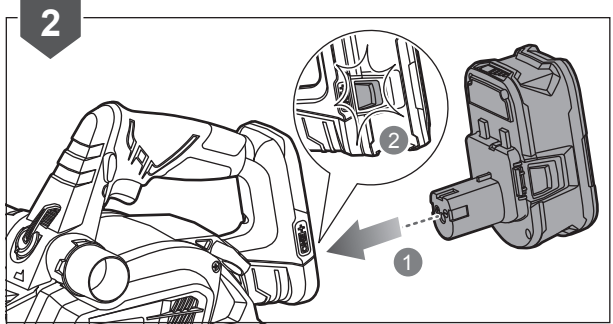
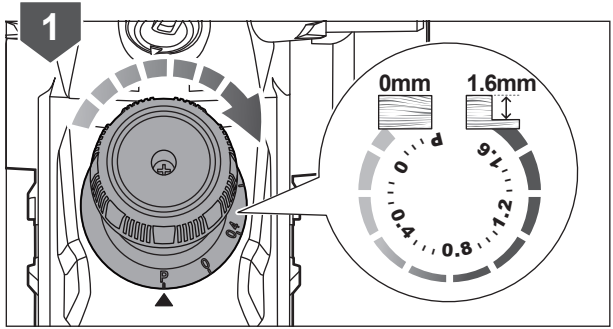
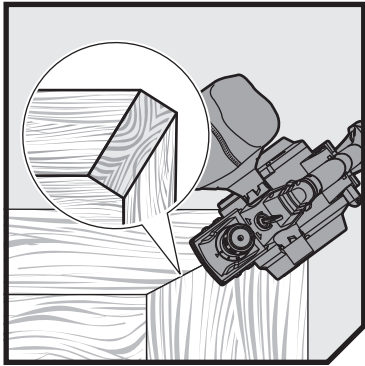




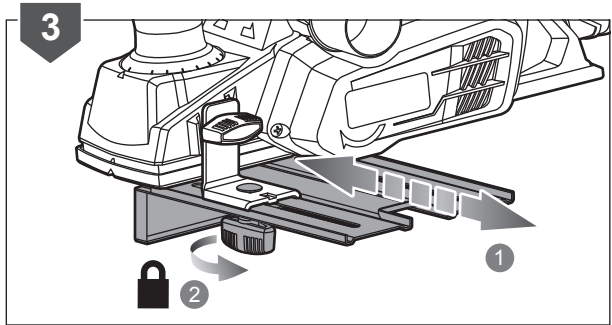
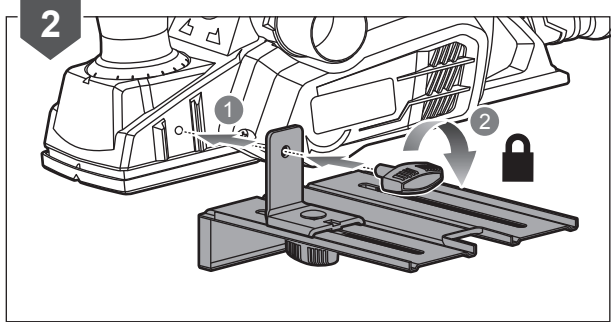
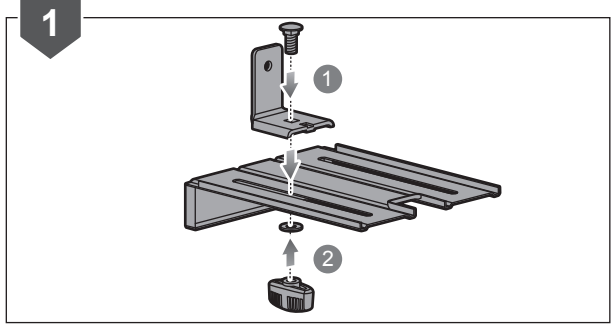
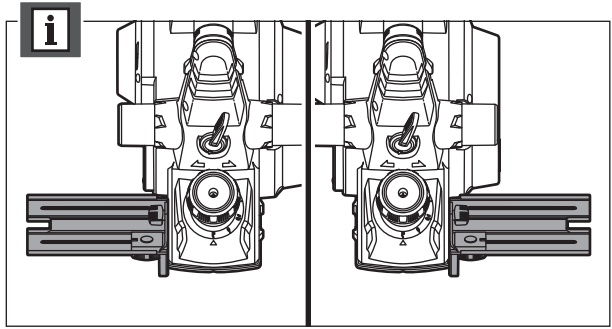
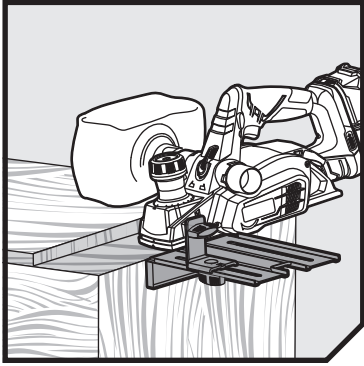


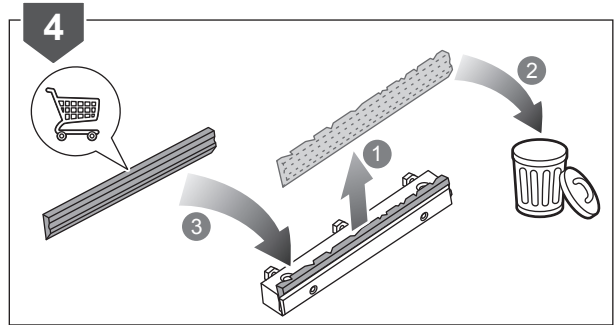
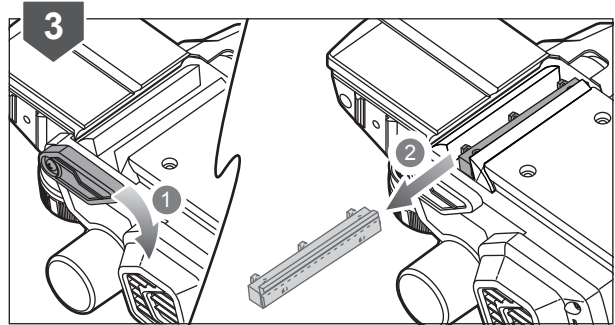
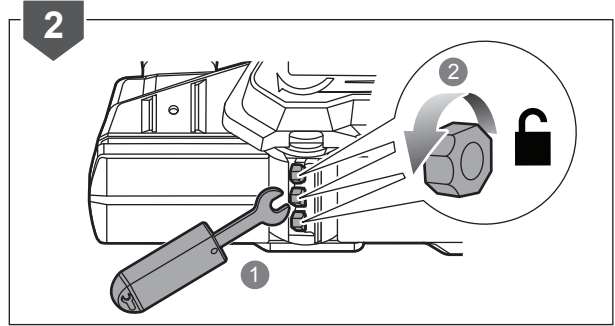
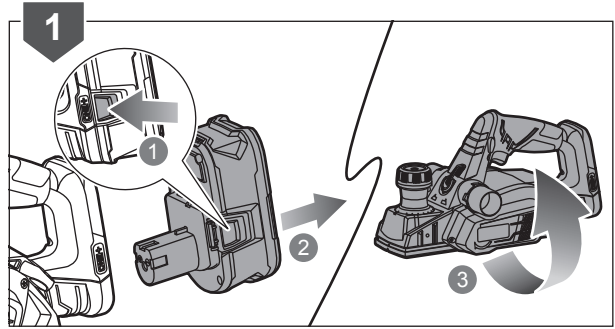
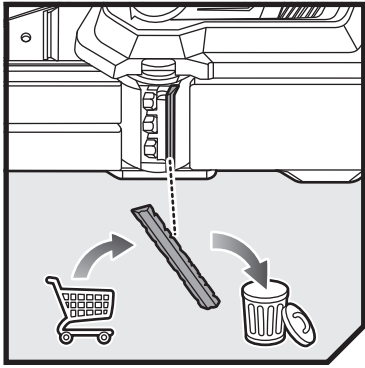


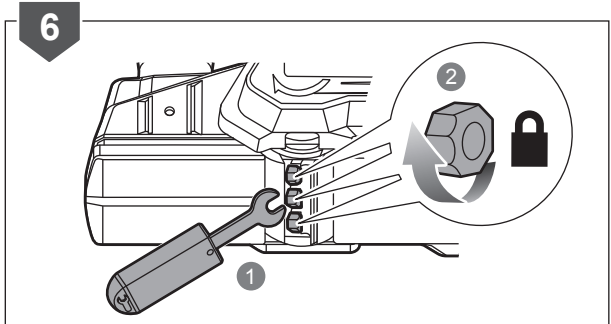
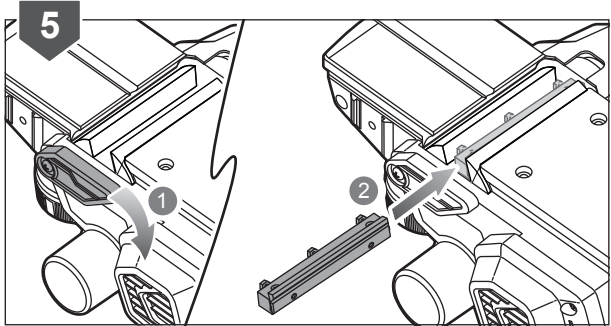
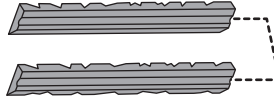
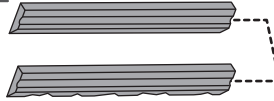


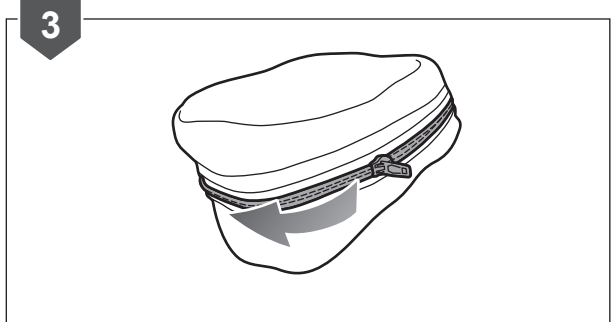
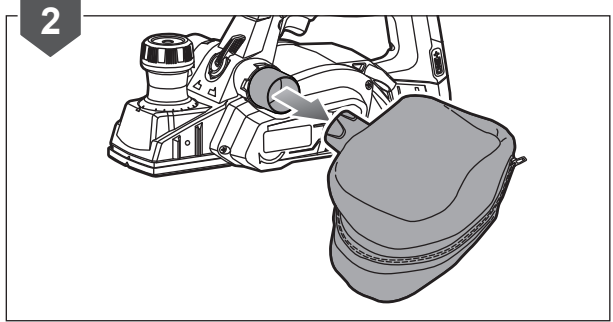
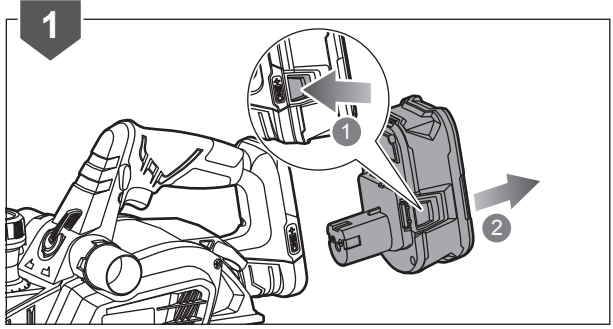
















English	Français	Deutsch	Español	Italiano	Nederlands	Português
Product specifications	Caractéristiques de l'appareil	Produkt-Spezifikationen	Especificaciones del producto	Specifiche prodotto	Productspecificaties	Especificações do produto
Planer	Raboteuse	Hobel	Cepilladora	Pialla	Raboteuse	Plaina
Model	Modèle	Modell	Modelo	Modello	Model	Modelo
Voltage	Tension	Spannung	Tensión	Voltaggio	Spanning	Voltagem
No-load speed	Vitesse à vide	Leerlaufdrehzahl	Velocidad sin carga	Velocità a vuoto	Onbelast toerental	Velocidade em vazio
Max. planing depth	Profondeur max. de rabotage	Max. Hobeltiefe	Profundidad máxima de cepillado	Profondità max. di piallatura	Maximum schaafdiepte	Profundidade de aplinação
Max. planing width	Largeur max. de rabotage	Max. Hobelbreite	Anchura máxima de cepillado	Larghezza max. di piallatura	Maximum schaafbreedte	Largura máx. de aplinação
Max. rebbate depth	Profondeur maximale de retrait	Max. Falztiefe	Profundidad máx. de rebaje	Max. profondità di abbassamento	Max. sponningsdiepte	Profundidade máxima de rebaixo
Weight - excluding battery pack	Poids - sans batterie	Gewicht - ohne Akkupack	Peso - Excluyendo conjunto de batería	Peso - Senza gruppo batteria	Gewicht - exclusief accupack	Peso - excluindo conjunto de bateria
Weight According to EPTA-Procedure 01/2014	Poids Selon la procédure EPTA 01/2014	Gewicht Gemäß EPTA-Verfahren 01/2014	Peso Según el procedimiento EPTA 01/2014	Peso Secondo quanto indicato dalla EPTA-Procedure 01/2014	Gewicht Overeenkomstig de EPTA-procedure 01/2014	Peso De acordo com o Procedimento EPTA 01/2014
Measured sound values determined according to EN 62841:	Valeurs du son mesuré déterminées selon EN 62841:	Gemäß EN 62841: gemessene Schallwerte	Valores medidos del sonido en función de la norma EN 62841:	Valori del suono misurati determinati secondo lo standard EN 62841:	Gemeten geluidswaarden bepaald in overeenstemming met EN 62841:	Valores medidos do som em função da norma EN 62841:
A-weighted sound pressure level	Niveau de pression sonore pondéré A	A-bewerteter Schalldruckpegel	Nivel de presión acústica ponderada en A	Livello di pressione sonora pesato A	A-gewogen geluidsdrukniveau	Nível de pressão sonora ponderada A
Uncertainty K	Incertitude K	Unsicherheit K	Incertidumbre K	Incertezza K	Onzekerheid K	Incerteza K
A-weighted sound power level	Niveau de puissance sonore pondéré A	A-bewerteter Schalleistungspegel	Nivel de potencia acústica ponderada en A	Livello di potenza sonora pesato A	A-gewogen geluidsniveau	Nível de potência sonora ponderada A
Uncertainty K	Incertitude K	Unsicherheit K	Incertidumbre K	Incertezza K	Onzekerheid K	Incerteza K
Wear ear protectors.	Portez une protection acoustique.	Tragen Sie Gehörschutz.	Utilice protección auditiva!	Indossare protezioni acustiche adeguate.	Draag oorbeschermers.	Sempre use a protecção dos ouvidos.
The vibration total values (triaxial vector sum) determined according to EN 62841:	La valeur totale des vibrations (somme vectorielle triaxiale) a été déterminée selon EN 62841:	Schwingungsgesamtwerte (Vektorsumme dreier Richtungen) ermittelt entsprechend EN 62841:	Los valores de vibración total (suma de vectores triax.), determinado según la norma EN62841:	I valori totali delle vibrazioni (somma di vettori in tre direzioni) sono misurati conformemente alla norma EN62841:	De totale trillingswaarden (triaxiale vectorsom) vastgesteld in overeenstemming met EN62841:	Os valores totais de vibração (soma do vector triax) são determinados em conformidade com a EN62841:
Vibration emission value	Valeur d'émission de vibrations	Vibrationsemissionswert	Valor de emisión de vibraciones	Valore delle emissioni vibrazioni	Trillingsemissiewaarde	Valor de emissão de vibrações
Main handle	Poignée principale	Hauptgriff	Mango principal	Maniglia principale	Handvat	Pega principal
Uncertainty K	Incertitude K	Unsicherheit K	Incertidumbre K	Incertezza K	Onzekerheid K	Incerteza K
Replacement parts	Pièces de rechange	Ersatzteile	Piezas de repuesto	Parti di ricambio	Vervangonderdelen	Peças de substituição
Blade	Lame	Messer	Hoja	Lama	Zaagblad	Lâmina



Dansk	Svenska	Suomi	Norsk	Русский	Polski	
Produktspecifikationer	Produktspecifikationer	Tuotteen tekniset tiedot	Produktspecificasjoner	Характеристики изделия	Parametry techniczne	
Høvelmaskine	Hyvel	Höylä	Høvel	Строгальная машина	Strug	
Model	Modell	Malli	Modell	Модель	Model	R18PL
Spænding	Spänning	Jännite	Spenning	Напряжение	Napięcie	18 V
Tomgangshastighed	Tomgångshastighet	Tyhjäkäyntinopeus	Hastighet ubelastet	Скорость на холостом ходу	Prędkość bez obciążenia	11000 min <sup>-1</sup>
Maksimal høvel dybde	Max. høvlingsdjup	Suurin hiontasyyvyys	Maks. høvlingsdybde	Макс. глубина строгания	Maks. głębokość strugania	1,6 mm
Maksimal høvelbredde	Max. høvlingsbredde	Suurin hiontaleveys	Maks. høvlingsbredde	Макс. ширина строгания	Maks. szerokość strugania	82 mm
Maks. falsningsdybde	Max. falsdjup	Huulossyyvyys enintään	Maks. falsedybde	Макс. глубина фрезеровки	Maks. głębokość profilu łączowego	12,5 mm
Vægt - Batteri medfølger ikke	Vikt - Batteri medfølger ej	Paino - ilman akkua	Vekt - uten batteripakke	Вес - без аккумуляторной батареи	Waga - bez akumulatora	2,35 kg
Vægt I henhold til EPTA-procedure 01/2014	Vikt Enligt EPTA 01/2014	Paino EPTA-menetelmän 01/2014 mukaan	Vekt I henhold til EPTA-prosedyre 01/2014	Вес Соответствует требованиям EPTA-Procedure 01/2014	Waga Zgodnie z procedurą EPTA 01/2014	2,8 kg (1,5Ah) - 3,5 kg (9,0Ah)
Målte lydverdier bestemt iht. EN 62841:	Uppmätta ljudvärden enligt EN 62841:	Mitatut arvot määritetty EN 62841: standardin mukaan:	Målte lydverdier bestemt iht. EN 62841:	Измеренные значения параметров звука определены в соответствии с EN 62841:	Zmierzono wartości akustyczne zgodnie z normą EN 62841:	
A-vægtet lydtryksniveau	A-vägd ljudtryksnivå	A-painotettu äänenpainetaso	A-vektet lydtryknivå	Уровень A-взвешенного звукового давления	A-ważony poziom ciśnienia hałasu	$L_{pA} = 84,5$ dB(A)
Usikkerhed K	Osäkerhet K	Epätarkkuus K	Usikkerhet K	Разброс K	Niepewność pomiaru K	3 dB(A)
A-vægtet lyd effektiveau	A-vägd ljud effektivnivå	A-painotettu äänenteho	A-vektet lyd effektivnivå	Уровень A-взвешенной звуковой мощности	A-ważony poziom natężenia hałasu	$L_{WA} = 95,5$ dB(A)
Usikkerhed K	Osäkerhet K	Epätarkkuus K	Usikkerhet K	Разброс K	Niepewność pomiaru K	3 dB(A)
Bær høreværm.	Bär hörselskydd.	Käytä korvasuojia.	Bruk hørselsvern.	Используйте наушники!	Stosować środki ochrony słuchu!	
Totale vibrationsværdier (triax vector sum) afgøres ifølge EN62841:	Det totala vibrationsvärdet (treaxelvektorsumma) är framtaget enligt EN62841:	Tärinän kokonaisarvot (kolmiakselinen vektorisumma) määritettyä standardin EN62841 mukaisesti:	De totale vibrasjonsverdiene er fastsatt i henhold til EN62841:	суммарное значение вибрации (векторная сумма по трем координатам) определено в соответствии со стандартом EN62841:	Wartości sumaryczne drgań (suma wektorowa przyspieszeń mierzona czujnikami typu triax) określone zgodnie z normą EN62841:	
Vibrationsemissionsværdi	Vibrationsvärde	Tärinääarvo	Verdier for vibrasjonsutslipp	Значение вибрации	Poziom drgań	
Hovedhåndtag	Huvudhandtag	Pääkahva	Hovedhåndtak	Основная рукоять	Główny uchwyt	$a_{h,w} = 2,7$ m/s <sup>2</sup>
Usikkerhed K	Osäkerhet K	Epätarkkuus K	Usikkerhet K	Разброс K	Niepewność pomiaru K	1,5 m/s <sup>2</sup>
Reserve dele	Utbytesdelar	Varaosat	Reservedeler	Запасные части	Części zamienne	
Klinge	Sågklinga	Tera	Blad	Лезвие	Tarcza	5132002337



Čeština	Magyar	Română	Latviski	Lietuviškai	Eesti
Technické údaje produktu	Termék műszaki adatai	Specificațiile produsului	Produkta specifikācijas	Gaminio techninės savybės	Toote tehnilised andmed
Hoblovačka	Gyalu	Mașină de degrosat	Ēvele	Oblavimo prietaisas	Hövel
Model	Típus	Model	Modelis	Modelis	Mudeli tähis
Elektrické napětí	Feszültség	Tensiune	Spriegums	Ītampa	Pinge
Otáčky naprázdno	Üresjárati fordulatszám	Viteză în gol	Apgrīzieni bez slodzes	Greitis be apkrovimo	Kiirus ilma koormuseta
Maximální úběr	Max. gyalulási mélység	Adâncime maximă de taiere	Maks. skaidas dziļums	Didžiausias obliavimo gylis	Maksimaalne hõõveldamissügavus
Maximální šířka záběru	Max. gyalulási szélesség	Lățime maximă de tăiere	Maks. skaidas platumis	Didžiausias obliavimo plotis	Maksimaalne hõõveldamislauius
Max. hloubka zářezu	Max. falc mélység	Adâncimea maximă de rindeluire	Maksimālais ēvelēšanas biežums	Maks. ļaidavimo gylis	Max valsti sūgavus
Hmotnost - bez baterie	Tömeg - akkumulátor nélkül	Greutate - exclusiv acumulatorul	Svars - izņemot akumulatora iepakojumu	Svoris - neįskaitant baterijos paketo	Mass - välja arvatud akupakett
Hmotnost Dle protokolu EPTA 01/2014	Tömeg A 01/2014 EPTA-eljárás szerint	Greutate în conformitate cu Procedura EPTA din 01/2014	Svars Saskaņā ar EPTA procedūru 01/2014	Svoris Pagal Europos elektrinių įrankių asociacijos (EPTA) nustatytą tvarką 01/2014	Mass Vastavalt EPTA-protsduurle 01/2014
Naměřené hodnoty hluku zjištěné dle EN 62841:	A hang értékek meghatározása az EN 62841: szerint történő:	Valori de sunet măsurate determinate în conformitate cu EN 62841:	Izmērītās skaņas vērtības ir noteiktas saskaņā ar EN 62841:	Išmatuotos garso vertės nustatytos pagal EN 62841:	Mõõteväärtused on kindlaks määratud vastavalt standardile EN 62841:
Hladina akustického tlaku vážená funkcií A	A-súlyozott hangnyomásszint	Nivel de presiune acustică ponderată A	A-līmeņa skaņas spiediena līmenis	A svertinis garso slėgio lygis	A-kaalutud helirõhu tase
Nejistota K	Bizonytalanság K	Incertitudine K	Kļūdas vērtība K	Nepastovumas K	Mõõtemääratus K
Hladina akustického výkonu vážená funkcií A	A-súlyozott hangteljesítményszint	Nivel de putere acustică ponderată A	A-līmeņa skaņas jaudas līmenis	A svertinis garso galios lygis	A-kaalutud helivõimsuse tase
Nejistota K	Bizonytalanság K	Incertitudine K	Kļūdas vērtība K	Nepastovumas K	Mõõtemääratus K
Používejte chrániče sluchu.	Viseljen hallásvédő.	Purtați aparatoare de urechi.	Lietojiet dzirdes aizsargus.	Naudokite ausų apsaugos priemonės.	Kasutage kuulmiskaitsevahendeid.
Celkové hodnoty vibrací (třiosý vektorový součet) určené v souladu s EN62841:	Vibráció teljes értékei (háromtengelyű vektorösszeg), az EN 62841 szerint meghatározva:	Valorile totale ale vibrațiilor (suma vectorială a trei direcții) au fost determinate conform EN62841:	Vibrāciju kopējās vērtības (trīsas vektoru summa) tiek noteiktas atbilstoši EN62841:	Bendros vibracijos vertės (trikampio vektorių suma) nustatomos pagal EN62841:	Vibratsiooni koguväärtused (kolme suuna vektorisumma) on vastavalt standardile EN 62841 määratud järgmiselt:
Úroveň emisí vibrací	Vibráció-kibocsátás értéke	Valoarea emisiilor de vibrații	Vibrāciju emisijas vērtība	Vibrācijas emisijas vērtē	Vibratsiooniemissiooni väärtus
Hlavní rukojeť	Fő markolat	Mănerul principal	Galvenais rokturis	Pagrindinė rankena	Põhikäepide
Nejistota K	Bizonytalanság K	Incertitudine K	Kļūdas vērtība K	Nepastovumas K	Mõõtemääratus K
Náhradní díly	Cserealkatrészek	Piese de schimb	Rezerves daļas	Atsarginės detalės	Asendusosad
Pilový kotouč	Fűrészlemez	Lamă	Ripa	Geležė	Saeketas







Hrvatski	Slovensko	Slovenčina	България	українська мова	Türkçe	Ελληνικά	
Specifikacije proizvoda	Specifikacije izdelka	Špecifikácie produktu	Технически характеристики	Технічні характеристики продукту	Ürün Özellikleri	Προδιαγραφές Προϊόντος	
Rezač	Poravnalka	Hoblovačka	Електрическо ренде	Рубанок	Planya	Πλάνη	
Model	Model	Model	Модел	Марка	Model	Μοντέλο	R18PL
Napon	Napetost	Napätie	Напряжение	Напряжение	Genilim	Τάση	18 V
Brzina bez opterećenja	Hitrost brez opterećenja	Otáčky bez zataženja	Скорост на празен ход	Швидкість без навантаження	Bota hız	Ταύτητα στ κεν	11000 min <sup>-1</sup>
Maksimalna dubina blanjanja	Najveći odvzem materijala	Max. hĺbka hobľovania	Макс. дълбочина на рендосване	Макс. товщина зрізання	Maks. rendeleme derinligi	Μέγιστο βάθος πλάνισματος	1,6 mm
Maksimalna mirina blanjanja	Najveća širina skobljanja	Max. šírka hobľovania	Макс. ширина на рендосване	Макс. ширина зрізання	Maks. rendeleme genisligi	Μέγιστο πλάτος πλάνισματος	82 mm
Maks. dubina rubnog zarezaja	Najv. globina žleba	Max. hĺbka pri zmenšovani hrúbky	Макс. дълбочина на фалц	Макс. глибина шпунта	Maks. oluk açma derinligi	Μέγιστο βάθος πάτοφους	12,5 mm
Težina - baterija nije uključena	Teža - razen baterij	Hmotnosť - okrem jednotky akumulátora	Тегло - без батерията	Вага - без акумулатора	Ağırlık - Harici batarya takımı	Βάρος - χωρίς μπαταρία	2,35 kg
Težina Prema EPTA-postupkom 01/2014	Teža Skladno s postopkom EPTA 01/2014	Hmotnosť Podľa EPTA-Procedure 01/2014	Тегло (съответствие с EPTA 01/2014)	Вага (відповідно до процедури EPTA 01/2014)	Ağırlık EPTA-Prosedürü 01/2014'e göre	Βάρος Σύμφωνα με την Διαδικασία EPTA 01/2014	2,8 kg (1,5Ah) - 3,5 kg (9,0Ah)
Mjerenja vrijednost zvuka određena je prema EN 62841:	Izmerjene zvočne vrednosti določene v skladu s standardom EN 62841:	Namerané hodnoty určené podľa EN 62841:	Измерените стойности на звука са определени в съответствие с EN 62841:	Измеренные значения параметров звука определены в соответствии с EN 62841:	EN 62841: e göre hesaplanmış ses değerleri:	Μετρημένες τιμές ήχου σύμφωνα με το EN 62841:	
Ponderirana razina tlaka zvuka	A-izmerjena raven zvočnega tlaka	Vážená A hladina akustického tlaku	Ниво на шумово налягане с равнище А	A-зважений рівень звукового тиску	A ağırlıklı ses basınç seviyesi	A-σταθμισμένο επίπεδο πίεσης ήχου	$L_{WA} = 84,5$ dB(A)
Neodređenost K	Nedoloč. K	Odhýlka K	Променливост (K)	Невизначеність K	Belirsizlik K	Αβεβαιότητα K	3 dB(A)
Ponderirana razina zvučne snage	A-izmerjena raven zvočne moći	Vážená A hladina akustického výkonu	Ниво на силата на шума с равнище А	A-зважений рівень звукової потужності	A ağırlıklı ses gücü seviyesi	A-σταθμισμένο επίπεδο έντασης ήχου	$L_{WA} = 95,5$ dB(A)
Neodređenost K	Nedoloč. K	Odhýlka K	Променливост (K)	Невизначеність K	Belirsizlik K	Αβεβαιότητα K	3 dB(A)
Nosite štitnike za uši.	Nosite ščitnike za ušesa.	Používajte chrániče sluchu.	Носете антифони	Діаметр ріжучої лінії.	Kulak koruyucu kullanın.	Φοράτε ωτοασπίδες.	
Ponderirana energetska vrijednost Ukupne vrijednosti vibracija (troosni vektorski zbir) određuju se u skladu s EN62841:	Skupna vrednost vibracij (vektorska vsota treh smeri) določena v skladu z EN62841:	Celkové hodnoty vibrácií (súhnn triaxiálneho vektora) určuje norma EN62841:	Общата стойност на вибрациите (триосна векторна сума) е определена в съответствие с EN 62841:	Суммарное значение вибрации (сумма векторов по трем координатным осям) определено в соответствии со стандартом EN 62841:	EN 62841 normuna uygun olarak belirlenmiş titreşim toplam değerleri (triaks vektör toplamı):	Συνολικές αξίες κραδασμών (τριαξονικό διανυσματικό άθροισμα) σύμφωνα με EN62841:	
Vrijednost emisija vibracije	Vrednost emisij vibracij	Hodnota emisij vibrácií	Стойност на вибрационните емисии	Значення вібраційної емисії	Titreşim emisyon değeri	Τιμή εκπομπών κραδασμών	
Glavna ručka	Glavna ročica	Hlavná rukoväť	Основно подаване	Основна ручка	Ana kol	Κύρια λαβή	$a_{rw} = 2,7$ m/s <sup>2</sup>
Neodređenost K	Nedoloč. K	Odhýlka K	Променливост (K)	Невизначеність K	Belirsizlik K	Αβεβαιότητα K	1,5 m/s <sup>2</sup>
Zamjena dijelova	Nadomestni deli	Náhradné diely	Резервни части	Запасні частини	Yedek parçalar	Ανταλλακτικά	
Oštrica	Rezilo	Ostrie	Острие	Лезо	Biçak	Λάμα	5132002337





English	Français	Deutsch	Español	Italiano	Nederlands	Português
Battery and charger	Batterie et chargeur	Akku und Ladegerät	Batería y cargador	Batteria e caricatore	Accu en lader	Bateria e carregador
Compatible battery pack (not included)	Pack batterie compatible (non compris)	Kompatible Akkus (nicht im Lieferumfang enthalten)	Packs de Bateria compatibles (no incluido)	Gruppo batterie compatibile (non incluso)	Compatibel accupack (niet inbegrepen)	Baterias compatíveis (não incluída)
Lithium-ion	Lithium-ion	Lithium-Ionen	Ión-litio	Ioni di litio	Lithium-ion	Ião-Lítio
Compatible charger (not included)	Chargeur compatible (non compris)	Kompatible Ladegerät (nicht im Lieferumfang enthalten)	Cargador compatible (no incluido)	Caricatore compatibile (non incluso)	Compatibele oplader (niet inbegrepen)	Carregador compatível (não incluída)



Čeština	Magyar	Română	Latviski	Lietuviškai	Eesti
Baterie a nabíječka	Akkumulátor és töltő	Baterie și încărcător	Akumulators un lādētājs	Baterija ir įkroviklis	Aku ja laadija
Kompatibilní akumulátor (nepřibalen)	Kompatibilis akkumulátor (nem tartozék)	Acumulatori compatibili (neinclus)	Saderīgu akumulatoru komplekts (nav kompl.)	Suderinamas baterijos paketas (nepriedama)	Ühilduvad akupaketid (ei ole komplektis)
Lithium iontový akumulátor	Lítiumion	Litiu-ion	Litija-jonu	Litis-jonas	Liitiumioon
Kompatibilní nabíječka (nepřibalen)	Kompatibilis töltő (nem tartozék)	Încărcător compatibil (neinclus)	Saderīgs lādētājs (nav kompl.)	Tinkamas įkroviklis (nepriedama)	Kasutatav laadija (ei ole komplektis)





Dansk	Svenska	Suomi	Norsk	Русский	Polski	
Batteri og oplader	Batteri och laddare	Akku ja laturi	Batteri og lader	Батарея и зарядное устройство	Akumulator i ładowarka	
Kompatibelt batteri (medfølger ikke)	Kompatibelt batteripack (inte inkluderat)	Yhteensopiva akku (ei mukana)	Kompatible batteripakker (ikke inkludert)	Совместимая аккумуляторная батарея (не входит в комплект поставки)	Pasujące akumulatory (nie dołączona)	
Lithium-ion	Litiumjon	Litiumioni	Litium-ion	Литий-ионная аккумуляторная батарея	Li-Ion	RB18L13 RB18L15 RB18L20 RB18L25 RB18L30 RB18L40 RB18L50 RB18L90
Kompatibel oplader (medfølger ikke)	Passande laddare (inte inkluderat)	Yhteensopiva laturi (ei mukana)	Kompatibel lader (ikke inkludert)	Совместимое зарядное устройство (не входит в комплект поставки)	Odpowiednia ładowarka (nie dołączona)	BCL14181H BCL14183H RC18150 RC18627 RC18115 RC18120 RC18118C



Hrvatski	Slovensko	Slovenčina	България	українська мова	Türkçe	Ελληνικά	
Baterija i punjač	Baterija in polnilnik	Akumulátor a nabíjačka	Батерия и зарядно устройство	Акумулятор і зарядний пристрій	Batarya ve şarj aleti	Μπαταρία και φορτιστής	
Kompatibilno pakiranje baterija (nije uključeno)	Zdržljive baterije (ni priložen)	Kompatibilná jednofáza akumulátorov (nie je súčasťou balenia)	Съвместима акумулаторна батерия (не е включена в комплекта)	Сумісний акумулятор (не входить в комплект)	Uyumlu pil takımı (dahil değildir)	Συμβατή μπαταρία (δεν περιλαμβάνεται)	
Litij-ion	Litij-ionska	Lítium-iónová	Литиево-йонна	Літій-іонний	Lityum-lyon	Λιθίου-Ιόντων	RB18L13 RB18L15 RB18L20 RB18L25 RB18L30 RB18L40 RB18L50 RB18L90
Kompatibilni punjač (nije uključeno)	Zdržljiv polnilec (ni priložen)	Kompatibilná nabíjačka (nie je súčasťou balenia)	Съвместимо зарядно устройство (не е включено в комплекта)	Сумісний зарядний пристрій (не входить в комплект)	Uyumlu şarj cihazı (dahil değildir)	Συμβατος φορτιστης (δεν περιλαμβάνεται)	BCL14181H BCL14183H RC18150 RC18627 RC18115 RC18120 RC18118C





## EN WARNING

The vibration emission level given in this information sheet has been measured in accordance with a standardised test given in EN 62841 and may be used to compare one tool with another. It may be used for a preliminary assessment of exposure. The declared vibration emission level represents the main applications of the tool. However if the tool is used for different applications, with different accessories or poorly maintained, the vibration emission may differ. This may significantly increase the exposure level over the total working period.

An estimation of the level of exposure to vibration should also take into account the times when the tool is switched off or when it is running but not actually doing the job. This may significantly reduce the exposure level over the total working period. Identify additional safety measures to protect the operator from the effects of vibration such as: maintain the tool and the accessories, keep the hands warm, organisation of work patterns.

## FR AVERTISSEMENT

Le niveau d'émission des vibrations indiqué dans cette feuille d'information a été mesuré en concordance avec un test normalisé fourni par EN62841 et peut être utilisé pour comparer un outil à un autre. Il peut être utilisé pour une évaluation préliminaire de l'exposition. Le niveau déclaré d'émission des vibrations s'applique à l'utilisation principale de l'outil. Toutefois, si l'outil est utilisé pour des applications différentes, avec des accessoires différents, ou mal entretenu, l'émission de vibrations peut être différente. Le niveau d'exposition peut en être augmenté de façon significative tout au long de la période de travail.

Une estimation du niveau d'exposition aux vibrations doit aussi prendre en compte les périodes où l'outil est arrêté ainsi que les périodes où il fonctionne sans vraiment travailler. Le niveau d'exposition pendant la durée totale du travail peut en être réduit de façon significative. Prenez en considération les mesures additionnelles de sécurité à prendre pour protéger l'opérateur des effets des vibrations telles que: maintien de l'outil et de ses accessoires, maintien des mains au chaud, organisation du travail.

## DE WARNUNG

Der in diesem Informationsblatt genannte Schwingungspegel wurde entsprechend dem standardisierten Test von EN62841 gemessen und kann benutzt werden um das Werkzeug mit anderen zu vergleichen. Er kann benutzt werden, um eine vorausgehende Einschätzung der Exposition durchzuführen. Der genannte Schwingungspegel repräsentiert den Haupteinsatzbereich des Werkzeugs. Jedoch kann das Werkzeug für verschiedene Einsatzbereiche benutzt werden. Mit unterschiedlichen Zusatzgeräten oder bei schlechter Wartung kann der Schwingungspegel unterschiedlich sein. Dadurch kann die Expositionshöhe über die gesamte Arbeitszeit signifikant erhöht werden.

Eine Einschätzung der Exposition zu Schwingungen sollte auch die Zeiten wenn das Werkzeug ausgeschaltet ist, oder wenn es angeschaltet aber nicht in Betrieb ist, in Betracht ziehen. Dadurch kann die Expositionshöhe über die gesamte Arbeitszeit signifikant reduziert werden. Identifizieren Sie zusätzliche Sicherheitsmaßnahmen um die Bedienungsperson vor den Effekten der Schwingungen zu schützen, wie zum Beispiel: Das Werkzeug und Zusatzgeräte warten, Hände warmhalten und Organisation der Arbeitszeiten.

## ES ADVERTENCIA

El nivel de emisión de las vibraciones que figura en esta hoja de información se ha medido según una prueba estandarizada que figura en EN62841 y puede ser utilizado para comparar una herramienta con otra. Puede ser utilizado para una evaluación preliminar de la exposición. El nivel de emisión de las vibraciones declarado representa las principales aplicaciones de la herramienta. No obstante, si la herramienta se utiliza para diferentes aplicaciones, con diferentes accesorios o no recibe el mantenimiento adecuado, la emisión de las vibraciones puede ser diferente. Esto puede aumentar significativamente el nivel de exposición durante el período de trabajo total.

Una estimación del nivel de exposición a la vibración también debe tener en cuenta el tiempo en el que la herramienta está desconectada o cuando está conectada pero no está realizando ningún trabajo. Esto puede reducir significativamente el nivel de exposición durante el período de trabajo total. Identificar las medidas de seguridad adicionales para proteger al operador de los efectos de las vibraciones, tales como: mantenimiento de la herramienta y de los accesorios, y la organización de los patrones de trabajo.

## IT AVVERTENZE

Il livello di vibrazioni indicato in questo foglio informativo è stato misurato seguendo un test svolto secondo i requisiti indicati dallo standard EN62841 e potrà essere utilizzato per paragonare un utensile con un altro. Potrà essere utilizzato per una valutazione preliminare dell'esposizione a vibrazioni. Il livello dichiarato di emissioni di vibrazioni viene indicato tenendo conto delle applicazioni principali dell'utensile. Comunque se l'utensile viene utilizzato per applicazioni diverse con accessori diversi o non viene correttamente conservato, il livello delle vibrazioni potrà variare. Ciò potrà significativamente aumentare il livello di esposizione alle vibrazioni durante il periodo di lavoro totale.

Una valutazione del livello di esposizione alle vibrazioni dovrà inoltre prendere in considerazione i tempi in cui l'utensile viene spento o è acceso ma non viene utilizzato. Ciò potrà significativamente ridurre il livello di esposizione in un periodo totale di funzionamento. Ulteriori misure di sicurezza per proteggere l'operatore dagli effetti delle vibrazioni come: conservare correttamente l'utensile e i suoi accessori, tenere le mani calde e organizzare i tempi di lavoro.

## NL WAARSCHUWING

Het trillingsemissieniveau dat op dit informatieblad wordt gegeven, is gemeten in overeenstemming met een gestandaardiseerde test, vastgelegd in EN62841 en mag worden gebruikt om machines met elkaar te vergelijken. Het verklaarde trillingsemissieniveau geeft de hoofdtoepassing van het gereedschap weer. Als de machine echter voor andere toepassingen of met andere accessoires wordt gebruikt of slecht wordt onderhouden, kan de trillingsemissie verschillen. Dit kan de blootstelling gedurende de gehele werkduur aanzienlijk verhogen.

Bij een schatting van het niveau van blootstelling aan trillingen moet ook rekening worden gehouden met het aantal keren dat de machine wordt uitgeschakeld of draait, maar niet wordt gebruikt. Dit kan het niveau van blootstelling gedurende de gehele werkduur aanzienlijk verlagen. Stel bijkomende veiligheidsmaatregelen op om de gebruiker tegen de gevolgen van trillingen te beschermen: zoals onderhoud het gereedschap en de accessoires, houd de handen warm, de organisatie van werktijden.

## PT AVISO

O nível de emissão de vibrações fornecido nesta folha de informações foi medido em conformidade com o teste uniformizado descrito em EN62841 e pode ser usado para comparar a ferramenta com outra. Este pode ser usado para uma avaliação preliminar da exposição. O nível de emissão de vibração declarado refere-se à aplicação principal da ferramenta. Contudo, se a ferramenta for usada para aplicações diferentes, com acessórios diferentes ou não for devidamente mantida, a emissão de vibrações pode diferir. Isto pode fazer aumentar significativamente o nível de exposição ao longo do período de trabalho total.

Uma estimativa do nível de exposição às vibrações deve ter, também, em consideração o tempo durante o qual a ferramenta está desligada ou em que está ligada mas não está a realizar qualquer trabalho. Isto pode reduzir significativamente o nível de exposição durante o período total de trabalho. Identifique medidas adicionais de segurança que protejam o operário dos efeitos da vibração como a manutenção da ferramenta e dos acessórios, a manutenção das mãos quentes e a organização de padrões de trabalho.

## DA ADVARSEL

Det angivne niveau for vibrationsemission på denne oplysningsside er blevet målt iht. en standardtest ifølge EN62841 og kan bruges til at sammenligne værktøjer indbyrdes. Det kan bruges til en foreløbig eksponeringsvurdering. Det opgivne niveau for vibrationsemission gælder, når værktøjet bruges til sit hovedformål. Men hvis værktøjet bruges til andre formål, kan der forskelligt eller med dårligt vedligehold ekstraudstyr, kan vibrationsemissionen variere. Dette kan medføre en betragtelig stigning i eksponeringsniveauet set over hele arbejdsperioden.

Et skøn over niveauet for vibrationseksponering bør også tage højde for de perioder, hvor værktøjet er slukket, eller hvor det er tændt uden faktisk at være i brug. Dette kan medføre en betragtelig reduktion i eksponeringsniveauet set over hele arbejdsperioden. Træf ekstra sikkerhedsforanstaltninger til beskyttelse af operatøren mod virkningerne fra vibrationen som fx: vedligehold værktøj og ekstraudstyr, holde hænderne varme, organisere arbejdsmonstre.





## SV VARNING

Vibrationsnivåerna som uppges i det här dokumentet har uppmäts i enlighet med ett standardiserat test som beskrivs i EN62841 och som kan användas för att jämföra verktyg. Det kan användas som en preliminär bedömning av den vibration som användaren utsätts för. De deklarerade vibrationsvärdena motsvarar de som uppstår när verktyget används i sitt huvudsyfte. Om verktyget används i andra syften, med andra tillbehör eller om verktyget är dåligt underhållet kan vibrationsnivåerna vara annorlunda. Det kan kraftigt öka vibrationsnivåerna över den totala arbetsperioden.

En uppskattning av vibrationsnivåerna som användaren utsätts för ska också ta hänsyn till de stunder då verktyget är avstängt och när det går på tomgång. Detta kan kraftigt minska vibrationsnivåerna över den totala arbetsperioden. Andra säkerhetsåtgärder som kan skydda användaren från effekterna av vibrationer är: underhållning av verktyget och tillbehören, hålla händerna varma och organisera arbets sättet.

## FI VAROITUS

Tämän tiedotteen tärnätaso on mitattu EN62841-standardien mukaisilla testeillä, ja niitä voidaan käyttää verrattaessa laitteita toiseen. Sitä voidaan käyttää arvioitaessa tärnävaikutusta. Ilmoitettu tärnätaso vastaa laitteen pääasiallista käyttötarkoitusta. Jos laitetta kuitenkin käytetään muuhun tarkoitukseen, muilla lisälaitteilla tai huonosti huolletuna, tärnätaso saattaa poiketa ilmoitetusta arvosta. Tämä voi kasvatata kokonaisaltistumista huomattavasti koko työjakson kuluessa.

Tärnän alitumistatsoa arvioitaessa tulee huomioida ajat, jolloin laite on sammutettu tai kun se on käynnissä, mutta sitä ei käytetä varsinaiseen työskentelyyn. Tämä voi vähentää kokonaisaltistumista huomattavasti koko työjakson kuluessa. Käytä muitakin suojakeinoja turvataksesi käyttäjän tärnävaikutukselta, kuten: huolla laite ja lisälaitteet, pidä kätesi lämpiminä, organisoi työnkulku.

## NO ADVARSEL

Vibrasjonsnivået som oppgis på dette informasjonsarket er målt i henhold til en standardisert test gitt i EN62841 og kan brukes til å sammenligne ett verktøy med et annet. Det kan brukes til en foreløpig vurdering av eksponering. Det erklærte vibrasjonsnivået representerer hovedanvendelsen for verktøyet. Dersom verktøyet brukes for andre anvendelser, med forskjellige tilbehør eller med dårlig vedlikehold, vil vibrasjonsnivået kunne være annerledes. Det kan gi en betydelig økning av eksponeringsnivået over den totale arbeidsperioden.

En beregning av nivået for eksponering til vibrasjoner må også ta hensyn til den tiden verktøyet er slått av eller er i gang men ikke i faktisk bruk for å utføre den tiltenkte oppgaven. Dette kan gi en betydelig økning av eksponeringsnivået over den totale arbeidsperioden. Identifiser ytterligere sikkerhetstiltak for å beskytte den som bruker verktøyet fra virkningen av vibrasjoner, tiltak som: Vedlikehold verktøyet og tilbehør, hold hendene varme, organiser arbeidsmetodene.

## RU ОСТОРОЖНО!

Уровень вибрации, приведенный в данном справочном листе, измерен согласно стандартизованным испытаниям, определенным в EN62841 и может использоваться для сравнения различных инструментов. Значение уровня может использоваться для предварительной оценки влияния вибрации. Заявленный уровень вибрации действителен для основного применения инструмента. Однако, если инструмент используется для других целей, с другими приспособлениями, или плохо обслуживается, уровень вибрации может отличаться от указанного. Это может значительно увеличить величину воздействия за общее время работы.

При оценке уровня воздействия вибрации следует также принять во внимание время простоя и холостой ход (когда инструмент выключен и когда включен, но работа не производится). Эти факторы могут значительно уменьшить величину воздействия вибрации за общее время работы. Определите дополнительные меры безопасности, защищающие работающего от влияния вибрации: техническое обслуживание инструмента и принадлежностей, недопущение охлаждения рук, соответствующие приемы и распорядок работы.

## PL OSTRZEŻENIE

Deklarowany poziom drgań został zmierzony za pomocą standardowej metody pomiaru określonej normą EN62841 i jego wyniki mogą służyć do porównywania tego urządzenia z innymi. Deklarowana wartość drgań może służyć do wstępnej oceny narażenia operatora na drgania. Deklarowany poziom drgań dotyczy podstawowych zastosowań urządzenia. Jednak w przypadku użycia urządzenia do innych zastosowań, z innymi przystawkami lub w przypadku niewłaściwego stanu technicznego urządzenia poziom drgań może odbiegać od deklarowanego. Może być to przyczyną zwiększenia stopnia narażenia operatora na drgania w całym okresie wykonywania pracy.

Podczas oceny narażenia na drgania należy również uwzględnić czas wyłączenia urządzenia oraz czas, w którym urządzenie jest włączone, jednak praca nie jest wykonywana. Czasy te mogą znacznie zmniejszyć stopień narażenia operatora na drgania w całym okresie wykonywania pracy. Należy określić dodatkowe środki ochrony operatora przed skutkami drgań, przykładowo: dbać o stan techniczny urządzenia i przystawek, dbać o zachowanie ciepłoty dłoni, odpowiednio zorganizować harmonogram wykonywania prac.

## CS VAROVÁNÍ

Hodnota vibračních emisí uvedená v tomto informačním listu byla naměřena standardizovaným testem podle EN62841 a ji použít k porovnání s hodnotami jiných nástrojů. Může se používat k předběžnému odhadu vystavení vibracím. Uznaná hodnota vibračních emisí prezentuje hlavní použití nástroje. Nicméně pokud se nástroj používá pro jiné použití, s různými doplňky nebo se nedostatečně neudržuje, mohou se vibrační emise lišit. Toto může výrazně zvýšit úroveň vystavení nad celkové pracovní období.

Odhad úrovně vystavení vibracím by měl vzít taktéž v potaz časy, kdy je chvění vypnuto, nebo když přístroj běží, ale nevykonává práci. Toto může výrazně snížit úroveň vystavení nad celkové pracovní období. Určete doplňující bezpečnostní opatření pro ochranu obsluhy před různými vibracemi, například: Udržujte nástroj a doplňky, udržujte ruce v teple, organizujte pracovní schéma.

## HU FIGYELMEZTÉTES

A vibráció-kibocsátás adattalapon megadott értéke az EN62841 által meghatározott szabványosított mérési eljárás szerint lett megmértve, amely lehetővé teszi a különböző szerszámok összehasonlítását. Használható a kitettség előzetes felmérésére is. A nyilatkozatban szereplő kibocsátási érték a szerszám főbb alkalmazási területeire vonatkozik. Ugyanakkor, ha a szerszámot más alkalmazásokra, más kiegészítőkkel használják vagy rosszul tartják karban, a vibráció-kibocsátás értéke ettől eltérő is lehet. Ez jelentősen növelheti a kitettség szintjét a gép teljes használati időtartama során.

A vibrációnak való kitettség szintjének becslésekor figyelembe kell venni azokat az időintervallumokat is, amikor a szerszám ki van kapcsolva, vagy működik, de nem végeznek munkát vele. Ez jelentősen csökkentheti a kitettség szintjét a gép teljes használati időtartama során. Tegyén további óvintézkedéseket a kezelő vibrációval szembeni megvédése érdekében: tartsa karban a szerszámot és a tartozékokat, tartsa melegen a kezét, tervezzék meg a munkafolyamatot.

## RO AVERTISMENT

Nivelul emisiilor de vibrații prezentat în cadrul acestei fișe cu informații a fost măsurat în conformitate cu un test standardizat furnizat în EN62841 și poate fi folosit la o compara o nealtă cu o alta. Poate fi folosit la o evaluare preliminară a expunerii. Nivelul declarat al emisiilor de vibrații reprezintă aplicațiile principale ale uneltei. Cu toate acestea, în cazul în care unalta este utilizată pentru aplicații diferite, cu accesorii diferite sau întreținute necorespunzător, emisiile de vibrații pot diferi. Acestea pot crește semnificativ nivelul de expunere pe întreaga perioadă de lucru.

O estimare a nivelului de expunere la vibrații trebuie, de asemenea, să țină cont de tălile în care unalta este oprită sau de tălile în care aceasta funcționează fără a efectua propriu-zis sarcina de lucru. Acestea pot reduce semnificativ nivelul de expunere pe întreaga perioadă de lucru. Identificați măsuri de siguranță suplimentare pentru a proteja operatorul de efectele vibrațiilor, precum: întreținerea uneltei și a accesoriilor, păstrarea mâinilor calde, organizarea de modele de lucru.





## LV BRĪDINĀJUMS

Šajā datu lapā dotā vibrāciju emisijas vērtība ir mērīta saskaņā ar standartizēto testu, kas dots EN62841 un kuru var izmantot, lai salīdzinātu vienu instrumentu ar citu. To var izmantot aptuvenam ekspozīcijas novērtējumam. Deklarētais vibrāciju emisijas līmenis atbilst galvenajiem instrumenta pielietojumiem. Tomēr, ja instrumentu lieto citiem pielietojumiem, ar citiem piederumiem vai tas tiek slikti apkopots, vibrāciju emisijas vērtība var atšķirties. Tas var ievērojami palielināt ekspozīcijas līmeni visā darba periodā.

Vibrāciju ekspozīcijas līmeņa novērtējumam jāņem vērā laiks, kad instruments ir izslēgts vai ir ieslēgts, bet neviens nekādu darbu. Tas var ievērojami samazināt ekspozīcijas līmeni visā darba periodā. Identificējiet papildu drošības pasākumus, lai aizsargātu operatoru no vibrāciju iedarbības, piemēram, veiciet instrumenta un piederumu apkopi, turiet rokas siltas un pielāgojiet darba grafiku.

## LT ĮSPĖJIMAS

Šiame lapе nurodytas vibracijos emisijos lygis buvo išmatuotas pagal standartinį testą, aprašytą EN62841, ir gali būti naudojamas vieno įrankio su kitu palyginimui. Jis gali būti naudojamas preliminariam pavojaus įvertinimui. Deklaruotas vibracijos emisijos lygis priskiriamas pagrindinėms įrankio taikymo sritims. Tačiau, jei įrankis naudojamas kitiems tikslams, su kitokiais priedais ar įrankis prastai prižiūrimas, vibracijos emisija gali skirtis. Per visą darbo laikotarpį tai gali žymiai padidinti vibracijos keliamą pavojų.

Nustatant vibracijos keliamą pavojų taip pat būtina atsižvelgti į tai, kiek kartų įrankis yra išjungtas ar kai jis veikia, bet juo iš tikrųjų nedirbama. Per visą darbo laikotarpį tai gali žymiai sumažinti vibracijos keliamą pavojų. Naudokite papildomas apsaugas priemonės dirbančiam asmeniui apsaugoti nuo vibracijos poveikio, pvz.: prižiūrėti įrankį ir jo priedus, rankas laikyti šiltai, organizuoti darbo sesijas.

## ET HOIATUS

Sellel infolehel esitatud vibratsioonitaseme väärtus on mõõdetud standardis EN62841 kirjeldatud katsemeetodiga ja seda võib kasutada tööriistade omavaheliseks võrdlemiseks. Seda võib kasutada vibratsioonimõju eelhindamiseks. Deklareeritud vibratsioonitaseme väärtus kehtib tööriista tavakasutamisel. Kui aga kasutate tööriista muudeks kasutusotstarveteks, erioptarbeliste tarvikutega või kui tööriist on puudulikult hooldatud, siis võib vibratsiooniväärtus erineda. Sellistel juhtudel võib tööperioodi summaarne vibratsioonitaseme suureneda märgatavalt.

Vibratsiooniväärtuse taset tuleb arveste võtta ka sel ajal, kui tööriist on välja lülitatud või kui tööriist tööle, kuid ei tee tööoperatsiooni. Sellistel juhtudel võib tööperioodi ajal summaarne vibratsioonitaseme väheneda märgatavalt. Maarake kindlaks täiendavad ohutusmeetmed, et kaitsa operaatorit vibratsioonimõjude eest – tööriistade ja tarvikute hooldamine, käte soojas hooldimine ja tövähetus te organiseringime.

## HR UPOZORENJE

Razina vrijednosti vibracija data u ovoj tablici s informacijama mjerena je skladno normiranom testu pruženom u EN62841 i može se koristiti za usporedbu jednog alata s drugim. Može se koristiti u početnom usklađivanju izloženosti. Objavljena razina vrijednosti vibracija predstavlja glavnu primjenu alata. Međutim, ako se alat koristi za druge primjene, s različitim dodatnim priborom ili je slabo održavan, vrijednost vibracija može se razlikovati. Ovo može značajno povećati razinu izloženosti tijekom ukupnog radnog razdoblja.

U procjeni razine izloženosti na vibraciju također treba uzeti u obzir vrijeme kada je alat isključen ili kada je pokrenut no ne i stvarno vrijeme rada. Ovo može značajno smanjiti razinu izloženosti tijekom ukupnog radnog razdoblja. Odredite dodatne sigurnosne mjere za zaštitu operatora od učinaka vibracije poput: održavanje alata i pribora, održavanje toplih ruku, organizacija obrazaca za rad.

## SL OPOZORILO

Nivo emisij vibracij, naveden v tem informacijskem listu, je bil izmerjen v skladu s standardiziranim testom, ki je podan v EN62841, podatke pa se lahko uporablja za primerjavo enega orodja z drugim. Uporablja se ga lahko za predhodno oceno izpostavljenosti. Navedeni nivo emisij vibracij predstavlja glavne uporabe orodja. Vendar, če se orodje uporablja v druge namene in z različnimi nastavki oz. če je orodje slabo vzdrževano, se lahko emisije vibracij razlikujejo. To lahko občutno poveča nivo izpostavljenosti v skupnem delovnem času.

Ocena nivoja izpostavljenosti vibracijam bi morala prav tako upoštevati, koliko krat je orodje bilo izključeno ali je v delovanju in pravzaprav ne opravlja svojega dela. To lahko občutno zmanjša nivo izpostavljenosti v skupnem delovnem času. Upoštevajte dodatne varnostne ukrepe, da bi upravljavca zaščitili pred vplivom vibracij, kot je: vzdržujte orodje in nastavke, pazite, da so roke tople, organizirajte delovne vzorce.

## SK VAROVANIE

Úroveň emisie vibrácií, uvedená v tomto informačnom hárku bola nameraná v súlade so štandardizovaným testom, daný normou EN62841 a môže sa použiť na porovnanie jedného nástroja s druhým. Môže sa použiť na predbežné určenie miery vystavenia sa vibráciám. Uvedená úroveň emisie vibrácií predstavuje hlavné aplikácie nástroja. Avšak keď sa nástroj používa na iné aplikácie, s rôznym príslušenstvom alebo má zlé údržbu, úroveň vibrácií sa môže líšiť. Týmto sa môže výrazne zvýšiť úroveň vystavenia sa vibráciám počas celkového času práce.

Odhad úrovne vystavenia sa vibráciám by sa mal brať tiež do úvahy, vzdý, keď sa nástroj vypne, alebo potom, keď beží ale v skutočnosti sa nevykonáva práca. Týmto sa môže výrazne znížiť úroveň vystavenia sa vibráciám počas celkového času práce. Nasledovné dopĺňujúce bezpečnostné opatrenia pomáhajú chrániť operátora od účinkov vibrácií: údržba nástroja a príslušenstva, udržiavanie teplých držadiel, organizácia práce.

## BG ВНИМАНИЕ

Посоченото в тези инструкции ниво на вибрациите е измерено в съответствие със стандартизиран в EN 62841 измервателен метод и може да се използва за сравнение на електрически инструменти помежду им. Подходящ е и за временна оценка на вибрационното натоварване. Посоченото ниво на вибрациите представя основните приложения на електрическия инструмент. Ако обаче електрическият инструмент се използва с друго предназначение, с различни сменяеми инструменти или при недостатъчна техническа поддръжка, нивото на вибрациите може да е различно. Това чувствително може да увеличи вибрационното натоварване по време на целия работен цикъл.

За точната оценка на вибрационното натоварване трябва да се вземат предвид и периодите от време, в които уредът е изключен или работи, но в действителност не се използва. Това чувствително може да намали вибрационното натоварване по време на целия работен цикъл. Определете допълнителни мерки по техника на безопасност в защита на обслужващия работник от въздействието на вибрациите като например: техническа поддръжка на електрическия инструмент и сменяемите инструменти, поддръжане на ръцете топли, организация на работния цикъл.

## UK ПОПЕРЕДЖЕННЯ

Рівень вібрації, зазначений у цьому інформаційному листку, був розрахований відповідно зі стандартизованим випробуванням, наведеним в EN 62841 і може використовуватися для порівняння одного інструмента з іншим. Він може бути використаний для попередньої оцінки впливу. Зазначений рівень вібрації представляє основні застосування інструменту. Тим не менш, якщо інструмент використовується для різних додатків, з різними аксесуарями і недоглянутий, рівень вібрації може відрізнятись. Це може значно підвищити рівень впливу протягом усього робочого періоду.

При оцінюванні рівня впливу вібрації необхідно також враховувати час, коли інструмент вимкнений або коли він працює, але насправді не виконує ніякої роботи. Це може значно зменшити рівень впливу протягом усього робочого періоду. Для захисту оператора від впливу вібрації, визначте додаткові заходи безпеки, такі як: ретельний догляд за інструментом і приладдям, тримання рук в теплі, і організація схеми роботи.





## TR UYARI

Bu bilgi sayfasında verilen titreşim emisyon seviyesi, EN62841 standardında belirtilen standartlaştırılmış bir teste uygun olarak ölçülmüş ve bir aleti diğeriyle karşılaştırmak için kullanılabilir. Ön maruz kalma tespiti için kullanılabilir. Beyan edilen titreşim emisyon seviyesi aletin asıl uygulamalarını temsil etmektedir. Ancak alet, farklı aksesuarlarla veya yetersiz bakımlı olarak farklı uygulamalar için kullanılırsa titreşim emisyonu değişebilir. Bu durum toplam çalışma süresi boyunca maruz kalma seviyesini önemli ölçüde artırır.

Titreşime maruz kalma seviyesinin değerlendirilmesi aynı zamanda alet kapalı ve ardından çalışır ancak gerçek anlamda iş yapmadığı zamanlar da göz önünde bulundurulmalıdır. Bu durum toplam çalışma süresi boyunca maruz kalma seviyesini önemli ölçüde azaltır. Operatörü titreşimin etkilerinden korumak için ilave güvenlik önlemleri belirleyin, örneğin: aletin ve aksesuarlarının bakımını yapmak, operatörün ellerini sıcak tutmak, çalışma modellerini organize etmek.

## EL ΠΡΟΕΙΔΟΠΟΙΗΣΗ

Τα επίπεδα εκπομπών κραδασμών που παρέχονται στο παρόν ενημερωτικό φυλλάδιο, έχουν μετρηθεί βάσει τυποποιημένης δοκιμής που προβλέπεται στο EN62841 και μπορούν να συγκριθούν για τη σύγκριση του εργαλείου με άλλα. Μπορούν επίσης να χρησιμοποιηθούν για προκαταρκτική αξιολόγηση της έκθεσης. Τα δηλωμένα επίπεδα εκπομπών κραδασμών αφορούν τις βασικές εφαρμογές του εργαλείου. Ωστόσο, αν το εργαλείο χρησιμοποιείται για διαφορετικές εφαρμογές, με διαφορετικά εξαρτήματα ή με κακή συντήρηση, η εκπομπή κραδασμών μπορεί να διαφέρει. Αυτό μπορεί να αυξήσει σημαντικά το επίπεδο έκθεσης στη συνολική περίοδο εργασίας.

Η εκτίμηση των επιπέδων έκθεσης σε κραδασμούς θα πρέπει επίσης να λαμβάνει υπόψη τις χρονικές περιόδους κατά τις οποίες το εργαλείο είναι απενεργοποιημένο ή λειτουργεί χωρίς να χρησιμοποιείται σε συγκεκριμένη εργασία. Αυτό μπορεί να μειώσει σημαντικά το επίπεδο έκθεσης στη συνολική περίοδο εργασίας. Εφαρμόστε επιπρόσθετα μέτρα ασφαλείας για την προστασία του χειριστή από τις επιπτώσεις των κραδασμών, όπως τα εξής: συντηρείτε το εργαλείο και τα εξαρτήματα, διατηρείτε τα χέρια ζεστά, οργανώστε μοτίβα εργασίας.



## EN RYOBI® WARRANTY APPLICATION CONDITIONS

In addition to any statutory rights resulting from the purchase, this product is covered by a warranty as stated below.

1. The warranty period is 24 months for consumers and commences on the date the product was purchased. This date has to be documented by an invoice or other proof of purchase. The product is designed and dedicated to consumer and private use only. So there is no warranty provided in case of professional or commercial use. This warranty applies only on new products.
2. There is a possibility to extend for a part of the range of power tools (AC/DC) the warranty period over the period described above using the registration on the [www.ryobitools.eu](http://www.ryobitools.eu) website. The eligibility of products for extended warranty is clearly displayed in stores and / or on packaging and is contained within the product documentation. The end user is required to register his/her newly-acquired products online within 30 days from the date of purchase. The end user may register for the extended warranty in his/her country of residence if listed on the online registration form where this option is valid. Furthermore, end users must give their consent to the storage of their personal data that is required to be entered online. They must also accept the terms and conditions. The registration confirmation receipt, which is sent out by e-mail, and the original invoice showing the date of purchase will serve as proof of the extended warranty.
3. The warranty covers all defects of the product during the warranty period due to faults in workmanship or material at the purchase date. The warranty is limited to repair and/or replacement and does not include any other obligations including but not limited to incidental or consequential damages. The warranty is not valid if the product has been misused, used contrary to the instruction manual, or has been incorrectly connected to a power supply. This warranty does not apply to:
  - any damage to the product that is the result of improper or lack of maintenance
  - any product that has been altered or modified
  - any product where original identification (trade mark, serial number) markings have been defaced, altered or removed
  - any damage caused by non-observance of the instruction manual
  - any product not displaying the CE approval mark on the rating plate
  - any product that has been attempted to be repaired by a non-authorized warranty service centre or without prior authorisation by Techtronic Industries
  - any product connected to improper power supply (amps, voltage, frequency)
  - any damage caused by external influences (water, chemical, physical, shocks) or foreign substances
  - normal wear and tear spare parts
  - inappropriate use, overloading of the tool
  - use of non-approved accessories or parts
  - Power tool accessories provided with the tool or purchased separately, including but not limited to screw driver bits, drill bits, abrasive discs, sand paper and blades, lateral guide, etc.
  - Components (parts and accessories) subject to natural wear and tear, including but not limited to service & maintenance kits, carbon brushes, bearings, chuck, SDS drill bit attachment or reception, power cord, auxiliary handle, transport carry case, sanding plate, dust bag, dust exhaust tube, felt washers, impact wrench pins & springs, etc.
4. For servicing, the product must be sent or presented to a RYOBI authorised service station listed for each country in the following list of service station addresses. In some countries your local RYOBI dealer undertakes to send the product to the RYOBI service organisation. When sending a product to a RYOBI service station, the product should be safely packed without any dangerous contents such as petrol, marked with sender's address and accompanied by a short description of the fault.
5. A repair / replacement under this warranty is free of charge. It does not constitute an extension or a new start of the warranty period. Exchanged parts or products become our property. In some countries delivery charges or postage will have to be paid by the sender. Your statutory rights arising from the purchase of the product remain unaffected
6. This warranty is valid in the European Community, Switzerland, Iceland, Norway, Liechtenstein, Turkey and Russia. Outside these areas, please contact your authorised RYOBI dealer to determine if another warranty applies.

### AUTHORISED SERVICE CENTRE

To find an authorised service centre near you, visit <http://uk.ryobitools.eu/header/service-and-support/service-agents>

## FR RYOBI® CONDITIONS D'APPLICATION DE LA GARANTIE

En plus des droits statutaires liés à l'achat, ce produit est couvert par une garantie telle que décrite ci-dessous.

1. La durée de la garantie accordée au consommateur est de 24 mois à partir de la date d'achat. Cette date doit être authentifiée par une facture ou toute autre preuve d'achat. Le produit a été conçu en vue d'une utilisation strictement privée. Aucune garantie ne s'applique donc en cas d'utilisation professionnelle ou commerciale.
2. Il existe pour une partie de la gamme d'outils électroportatifs (AC/DC), une possibilité d'étendre la période de garantie au-delà de la période précédemment décrite en utilisant le formulaire d'enregistrement présent sur le site Internet [www.ryobitools.eu](http://www.ryobitools.eu). L'éligibilité d'un outil est clairement affichée dans les points de vente et/ou sur l'emballage et la documentation. L'utilisateur final doit enregistrer son/ses outil(s) nouvellement acheté(s) en ligne dans les 30 jours qui suivent la date d'achat. L'utilisateur a la possibilité de s'enregistrer pour l'extension de garantie dans son pays de résidence si celui-ci est listé dans le formulaire d'enregistrement en ligne où cette option est valide. L'utilisateur final doit donner son consentement pour l'enregistrement des données requises pour accéder au site et doit accepter les termes et conditions. La confirmation d'enregistrement, envoyée par courrier électronique, ainsi que la facture originale mentionnant la date d'achat serviront de preuve de l'extension de garantie.
3. La garantie couvre pendant la période de garantie les défauts des produits liés à la fabrication et aux matériaux à la date d'achat. La garantie est limitée à la réparation et/ou au remplacement et n'inclut aucune autre obligation, tel que, mais sans s'y limiter, les dommages accessoires ou indirects. La garantie est non valable en cas de mauvaise utilisation du produit, d'utilisation contraire aux instructions du mode d'emploi, ou en cas de branchement incorrect. Cette garantie ne s'applique pas pour :
  - tout dommage au produit résultant d'un mauvais entretien
  - tout produit ayant été altéré ou modifié
  - tout produit dont les marquages originaux d'identification (marque, numéro de série) ont été dégradés, altérés ou retirés
  - tout dommage causé par le non-respect des instructions du mode d'emploi
  - tout produit non CE
  - tout produit ayant subi une tentative de réparation par du personnel non qualifié ou sans autorisation préalable de Techtronic Industries
  - tout produit raccordé à une alimentation secteur non conforme (ampérage, voltage, fréquence)
  - tout dommage causé par des influences extérieures (chimiques, physiques, chocs) ou par des substances étrangères
  - l'usure normale des pièces consommables
  - une utilisation inappropriée, une surcharge de l'outil
  - l'utilisation de pièces ou accessoires non agréés
  - accessoires de l'outil électrique fournis avec l'outil ou achetés séparément. Cela comprend notamment les embouts de vissage, les forets de perceuse, les disques abrasifs, le papier de verre et les lames, le guide latéral
  - Les composants (pièces et accessoires) sujets à l'usure naturelle, ceci incluant notamment les mandrins, les charbons, adaptateurs SDS, les cordons d'alimentation, les poignées auxiliaires, les mallettes de transport, les plateaux de ponçage, les sacs collecteurs de poussière, les tubes d'extraction de poussière, les carrés de clé à choc, etc.
4. Si le produit doit être réparé, envoyez-le à un service après-vente agréé RYOBI dont vous trouverez ci-dessous la liste pour chaque pays. Dans certains pays, votre revendeur RYOBI se chargera d'envoyer le produit à un centre de réparation RYOBI. Lorsque vous envoyez un produit à un service après-vente RYOBI, celui-ci doit être correctement emballé, sans contenir aucun produit dangereux tel que de l'essence, et vous devez indiquer votre adresse ainsi qu'une courte description du problème.
5. Une réparation / un remplacement sous garantie est gratuit(e). Ceci ne constituera pas une extension de garantie ni un nouveau départ de la période de garantie. Les pièces ou les outils remplacés deviennent notre propriété. Dans certains pays, les frais de port devront être assumés par l'expéditeur. Vos droits statutaires restent inchangés.
6. Cette garantie est valable au sein de l'Europe, de la Suisse, de l'Islande, de la Norvège, du Liechtenstein, de la Turquie, de la Russie. En dehors de ces zones, veuillez contacter votre distributeur agréé RYOBI pour déterminer si une autre garantie s'applique.

### SERVICE APRÈS-VENTE AGRÉÉ

Pour trouver le service après-vente agréé le plus proche, rendez-vous sur <http://fr.ryobitools.eu/header/service-and-support/service-agents>.



## DE RYOBI® GARANTIEBEDINGUNGEN

Zusätzlich zu den gesetzlichen Rechten aus dem Kauf gilt für dieses Produkt die nachstehend aufgeführte Garantie.

- Der Garantiezeitraum beträgt für Verbraucher 24 Monate und beginnt mit dem Datum des Kaufs. Dieses Datum muss durch eine Rechnung oder einen anderen Kaufbeleg dokumentiert werden. Dieses Produkt wurde ausschließlich zur privaten Nutzung durch Verbraucher entwickelt. Für den Fall einer professionellen bzw. kommerziellen Nutzung besteht daher keine Garantie.
- Es besteht die Möglichkeit, für einen Teil des Sortiments der Elektrogeräte (AC/DC) den Garantiezeitraum über den oben genannten Zeitraum hinaus zu verlängern, indem der Verbraucher die Registrierung auf der Website [www.ryobitools.eu](http://www.ryobitools.eu) durchführt. Die Berechtigung der Werkzeuge für die Garantieverlängerung ist deutlich im Geschäft und/oder auf der Verpackung beschrieben und in der Produktdokumentation erwähnt. Der Verbraucher muss das neu erworbene Gerät online innerhalb von 30 Tagen ab dem Kaufdatum registrieren. Der Verbraucher kann das Gerät zwecks Garantieverlängerung in seinem Wohnsitzland/Heimatland registrieren, wenn dieses Land auf dem Online-Registrierungsformular aufgeführt ist und die Option gültig ist. Darüber hinaus muss der Verbraucher seine Zustimmung zur Speicherung der Daten geben, die online eingegeben werden müssen, und er muss die allgemeinen Geschäftsbedingungen akzeptieren. Die Bestätigung der Registrierung, die per E-Mail versandt wird, und die Originalrechnung mit dem Kaufdatum gelten als Beleg für die Garantieverlängerung.
- Die Garantie deckt alle Defekte des Geräts während des Garantiezeitraums ab, die auf zum Zeitpunkt des Kaufs bestehende Verarbeitungs- oder Materialfehler zurückzuführen sind. Die Garantie beschränkt sich auf Reparatur und/oder Ersatz und beinhaltet keine anderen Verpflichtungen, insbesondere keinen Schadenersatz für Folge- oder Nebenschäden. Die Garantie gilt nicht, wenn das Gerät fehlerhaft eingesetzt wurde, gegenseitlich zur Bedienungsanleitung eingesetzt wurde oder falsch angeschlossen wurde. Die Garantie gilt nicht für Folgendes:
  - Schäden am Gerät, die auf unkorrekte Wartung zurückzuführen sind
  - Geräte, an denen Veränderungen vorgenommen wurden
  - Produkte, bei denen die ursprüngliche Identifizierung (Handelsmarke, Seriennummer) unleserlich gemacht, verändert oder entfernt wurde
  - Schäden durch Nichtbeachtung der Bedienungsanleitung
  - nicht-CE-zertifizierte Geräte
  - Geräte, an denen durch nicht-qualifizierte Personen oder ohne vorherige Genehmigung von Techtronic Industries Reparaturversuche vorgenommen wurden
  - Geräte, die an unkorrekte Energiequellen (Ampere, Volt, Frequenz) angeschlossen wurden
  - Schäden durch äußere Einflüsse (chemisch, physisch, Stöße) oder Fremdstoffe
  - normaler Verschleiß von Ersatzteilen
  - unangemessene Nutzung, Überlastung des Geräts
  - Nutzung nicht genehmigter Zubehörteile oder Ersatzteile
  - mit dem Gerät gelieferte oder separat erworbene Zubehörteile. Dieser Ausschuss beinhaltet, ist aber nicht beschränkt auf Schraubendreher-Bits, Bohreinsätze, Schleifscheiben, Sandpapier und Klingen, Seitenführungen
  - Komponenten (Ersatzteile und Zubehörteile), die natürlichen und normalen Verschleißerscheinungen unterworfen sind, einschließlich aber nicht beschränkt auf: Service- und Wartungssätze, Kohlebürsten, Lager, Spannfutter, SDS-Bohreraufnahme /Bit-Adapter, Netzkabel, Zusatzhandgriff, Transportkoffer, Schleifteller, Staubbeutel, Staubabsaugrohr, Filzunterlegscheiben, Bolzen und Federn von Schlagschraubern usw.
- Zum Service muss das Gerät zu einer von RYOBI autorisierten Servicestation gebracht oder dorthin gesendet werden. Die Servicestationen für die einzelnen Länder sind in der folgenden Liste aufgeführt. In einigen Ländern sendet Ihr RYOBI-Händler vor Ort das Gerät an das RYOBI-Serviceunternehmen. Beim Einsenden an die RYOBI-Servicestation sollte das Gerät sicher verpackt sein, ohne gefährliche Inhalte wie Benzin, und es sollte mit der Adresse des Absenders und einer kurzen Beschreibung des Fehlers versehen sein.
- Eine Reparatur bzw. ein Ersatz gemäß dieser Garantie ist kostenlos. Hieraus ergibt sich weder eine Garantieverlängerung noch der Beginn eines neuen Garantiezeitraums. Die ausgetauschten Ersatzteile oder Werkzeuge gehen in unser Eigentum über. In einigen Ländern müssen die Zustellgebühren oder die Versandkosten vom Absender gezahlt werden. Ihre gesetzlichen Rechte aus dem Kauf des Geräts bleiben hiervon unberührt.
- Diese Garantie gilt in der Europäischen Union, der Schweiz, Island, Norwegen, Liechtenstein, der Türkei und Russland. Bitte wenden Sie sich außerhalb dieser Gebiete an Ihren autorisierten RYOBI-Händler, um festzustellen, ob eine andere Garantie gilt.

### AUTORISIERTER KUNDENDIENST

Besuchen Sie <http://de.ryobitools.eu/header/service-and-support/service-agents>, um einen autorisierten Kundendienst in Ihrer Nähe zu finden.

## ES CONDICIONES DE APLICACIÓN DE LA GARANTÍA DE RYOBI®

Además de cualquier derecho legal derivado de la compra, este producto está cubierto por una garantía que se indica a continuación.

- El periodo de garantía es de 24 meses para consumidores y comienza en la fecha en que se compra el producto. Dicha fecha debe documentarse con una factura u otro comprobante de compra. El producto está diseñado y concebido únicamente para el uso privado del consumidor. Por lo tanto, no se ofrece garantía en caso de uso profesional o comercial.
- Existe la posibilidad de ampliar el periodo de garantía respecto a una parte de la gama de herramientas eléctricas (CA/CC) durante el periodo descrito más arriba y mediante el registro en el sitio web [www.ryobitools.eu](http://www.ryobitools.eu). La elegibilidad de las herramientas para que se amplíe el periodo de garantía se muestra claramente en las tiendas o en el embalaje y está incluida en la documentación del producto. El usuario final tiene que registrar en línea sus herramientas recientemente adquiridas en un plazo de 30 días a partir de la fecha de compra. El usuario final podrá registrarse para obtener la garantía ampliada en su país de residencia si este aparece en la lista del formulario de registro en línea cuando esta opción sea válida. Además, los usuarios finales deberán dar su consentimiento al almacenamiento de los datos necesarios para el acceso en línea y tienen que aceptar los términos y condiciones. El recibo de confirmación de registro, que se envía por correo electrónico, y la factura original que muestra la fecha de compra servirán como comprobante para la garantía ampliada.
- La garantía cubre todos los defectos del producto durante el periodo de garantía debido a fallos de mano de obra o material en la fecha de compra. La garantía se limita a la reparación o sustitución y no incluye ninguna otra obligación como, por ejemplo, daños accidentales o consecuentes. La garantía no es válida si se ha usado mal el producto, se ha usado contraviniendo el manual de instrucciones o se ha conectado de forma incorrecta. Esta garantía no es aplicable a:
  - ningún daño en el producto que sea consecuencia de un mantenimiento inadecuado
  - ningún producto que haya sido alterado o modificado
  - ningún producto en el que los marcados de identificación originales (marca comercial, número de serie) se hayan borrado, modificado o eliminado
  - ningún daño provocado por no seguir el manual de instrucciones
  - ningún producto que no sea CE
  - ningún producto que haya sufrido un intento de reparación por parte de un profesional no cualificado o sin la autorización previa de Techtronic Industries.
  - ningún producto conectado a un suministro eléctrico inadecuado (amperios, voltaje, frecuencia)
  - ningún daño causado por influencias externas (químicas, físicas, impactos) o sustancias extrañas
  - desgaste normal de piezas de repuesto
  - uso inadecuado, sobrecarga de la herramienta
  - uso de accesorios o piezas no aprobados
  - Accesorios de herramientas eléctricas proporcionados con la herramienta o comprados por separado. Tales exclusiones incluyen, entre otros, brocas de destornilladores, brocas de taladro, discos abrasivos, papel de lija y cuchillas, y guías laterales
  - Componentes (piezas y accesorios) sujetos a un desgaste natural, que incluyen, entre otros, equipos de servicio y mantenimiento, escobillas de carbono, cojinetes, pinzas, accesorio o recepción de broca de taladro SDS, cable eléctrico, manillar auxiliar, bolsa de transporte, hoja lijadora, bolsa de polvo, tubo de escape de polvo, disco de fieltro, pasadores y resortes de llave de impacto, etc.
- Para su mantenimiento, el producto debe enviarse o presentarse a una estación de servicio de RYOBI autorizada que figure en la siguiente lista de direcciones de estaciones de servicio por países. En algunos países, su distribuidor RYOBI local se responsabiliza de enviar el producto a la compañía de servicio de RYOBI. Cuando se envíe un producto a una estación de servicio de RYOBI, este debe estar empaquetado de forma segura sin contenidos peligrosos como gasolina, marcado con la dirección del remitente y acompañado de una breve descripción del fallo.
- Una reparación / sustitución con esta garantía es gratuita. No constituye una ampliación ni un nuevo comienzo del periodo de garantía. Las piezas o herramientas intercambiadas pasan a ser de nuestra propiedad. En algunos países, los gastos de envío o correo tendrán que pagarlos el remitente. Sus derechos legales derivados de esta compra de la herramienta no se verán afectados.
- Esta garantía es válida en la Unión Europea, Suiza, Islandia, Noruega, Liechtenstein, Turquía y Rusia. Fuera de estas zonas, póngase en contacto con su distribuidor de RYOBI autorizado para determinar si es aplicable otra garantía.

### SERVICIO TÉCNICO AUTORIZADO

Para encontrar el servicio técnico autorizado más cercano, visite <http://es.ryobitools.eu/header/service-and-support/service-agents>

## IT CONDIZIONI DI VALIDITÀ DELLA GARANZIA RYOBI®

In aggiunta ai diritti di legge risultanti dall'acquisto, il prodotto è coperto dalla garanzia sotto descritta.

- Il periodo di garanzia è di 24 mesi per i consumatori, a decorrere dalla data di acquisto del prodotto. La data deve essere documentata da una fattura o altra prova d'acquisto. Il prodotto è progettato e destinato solo all'utilizzo privato dei consumatori. Pertanto non viene fornita alcuna garanzia in caso di uso professionale o commerciale.
- Per una serie di utensili elettrici (CA/CC) è possibile prolungare il periodo di garanzia oltre quello descritto, registrandosi sul sito web [www.ryobitools.eu](http://www.ryobitools.eu). Gli utensili per i quali è possibile prolungare il periodo di garanzia sono chiaramente indicati nei negozi e/o sulle confezioni e nella documentazione dei prodotti. L'utente deve registrare online l'utensile acquistato entro 30 giorni dalla data di acquisto. L'utente può registrarsi per la garanzia prolungata nel proprio paese di residenza, se questo è elencato nel modulo di registrazione online dove questa opzione sia valida. Inoltre gli utenti devono fornire il proprio consenso alla conservazione dei dati da immettere online e devono accettare le condizioni generali. La conferma di registrazione, inviata tramite e-mail, e la fattura originale indicante la data di acquisto, costituiscono la prova della garanzia prolungata.
- La garanzia copre tutti i difetti del prodotto durante il periodo di garanzia, risultati da manodopera o materiali alla data di acquisto. La garanzia è limitata alla riparazione e/o sostituzione e non include alcun altro obbligo quali, a mero titolo esemplificativo, i danni incidentali o consequenziali. La garanzia non è valida se il prodotto è stato usato scorrettamente, in modo contrario al manuale di istruzioni o se è stato collegato in modo errato. La garanzia non è valida per:
  - qualsiasi danno al prodotto dovuto a manutenzione errata;
  - qualsiasi prodotto che sia stato alterato o modificato;
  - qualsiasi prodotto le cui marcate di identificazione originali (marchi di fabbrica, numero di serie) siano state cancellate, alterate o rimosse;
  - qualsiasi danno causato dalla non osservanza delle istruzioni del manuale;
  - qualsiasi prodotto privo di omologazione CE;
  - qualsiasi prodotto che sia stato sottoposto a un tentativo di riparazione da parte di un professionista non qualificato oppure senza la previa autorizzazione di Techtronic Industries;
  - qualsiasi prodotto collegato a un'alimentazione errata (per ampere, tensione, frequenza);
  - qualsiasi danno causato da influenze esterne (chimiche, fisiche, urti) o sostanze estranee;
  - la normale usura delle parti di ricambio;
  - uso inappropriato, sovraccarico dell'utensile;
  - uso di accessori o parti non omologate;
  - accessori per utensili elettrici forniti con l'utensile o acquistati separatamente. Questa esclusione comprende, a mero titolo esemplificativo, punte per cacciaviti, punte per trapani, dischi abrasivi, carta vetrata, lame e guide laterali;
  - componenti (parti e accessori) soggetti alla normale usura compresi, a mero titolo esemplificativo, kit di servizio e manutenzione, spazzole al carbonio, cuscinetti, mandrini, attacchi per punte a vite autopoterforante, cavi di alimentazione, maniglie ausiliarie, custodie di trasporto, piastre di levigatura, sacchetti per la polvere, tubi di scarico della polvere, rondelle di feltro, perni e molle per avvitatori ecc.
- Per la manutenzione il prodotto dev'essere spedito o portato presso uno dei centri assistenza autorizzati RYOBI elencati per ogni paese nel seguente elenco di indirizzi dei centri. In alcuni paesi il rivenditore locale RYOBI si incarica di inviare il prodotto all'organizzazione di assistenza RYOBI. Quando si invia un prodotto a un centro assistenza RYOBI, imballarlo in modo sicuro senza contenuti pericolosi come la benzina, apporre l'indirizzo del mittente e accompagnarlo da una breve descrizione del guasto.
- La riparazione/sostituzione ai sensi della presente garanzia è gratuita. Non costituisce un prolungamento o un nuovo inizio del periodo di garanzia. Le parti o gli utensili scambiati diventano di nostra proprietà. In alcuni paesi i costi di consegna o di spedizione postale devono essere pagati dal mittente. I diritti di legge derivanti dall'acquisto dell'utensile rimangono inalterati.
- La presente garanzia è valida in Unione Europea, Svizzera, Islanda, Norvegia, Liechtenstein, Turchia e Russia. Al di fuori di tali aree contattare il rivenditore autorizzato RYOBI per sapere se è valida un'altra garanzia.

### CENTRO SERVIZI AUTORIZZATO

Per individuare il più vicino centro servizi autorizzato, visitare il sito <http://it.ryobitools.eu/header/service-and-support/service-agents>.

## NL RYOBI® GARANTIEVOORWAARDEN

Naast de wettelijke rechten die voortvloeien uit de aankoop, wordt dit product gedekt door een garantie, zoals hieronder staat vermeld.

- De garantietermijn voor consumenten bedraagt 24 maanden en gaat in op de datum waarop het product is gekocht. Deze datum moet worden gedocumenteerd met een factuur of een ander aankoopbewijs. Het product is uitsluitend ontworpen en bedoeld voor persoonlijk gebruik door consumenten. Er wordt dus geen garantie gegeven voor professioneel of commercieel gebruik.
- Voor een deel van ons aanbod van elektrische gereedschappen (AC/DC) is het mogelijk om de garantietermijn te verlengen over de boven beschreven termijn, met behulp van de website [www.ryobitools.eu](http://www.ryobitools.eu). De gereedschappen die in aanmerking komen voor de verlenging van de garantietermijn wordt duidelijk weergegeven in winkels en/of verpakkingen en staat beschreven in de productdocumentatie. De eindgebruiker moet zijn/haar nieuw gekochte gereedschappen binnen 30 dagen na aankoop online registreren. De eindgebruiker kan zich registreren voor de verlengde garantietermijn als zijn woonland staat vermeld op het online registratieformulier waar deze optie geldt is. Bovendien moeten eindgebruikers toestemming geven voor de opslag van de gegevens die online ingevuld moeten worden en moeten ze de algemene voorwaarden accepteren. Het ontvangstbewijs van de registratie, dat per e-mail wordt verzonden en de oorspronkelijke factuur met de aankoopdatum vormt het bewijs van de verlengde garantietermijn.
- De garantie dekt tijdens de garantietermijn alle gebreken van het product vanwege defecten in vakmanschap of materiaal op de aankoopdatum. De garantie is beperkt tot reparatie en/of vervanging en bevat geen andere verplichtingen, waaronder maar niet beperkt tot incidentele of gevolgschade. De garantie is niet geldig als het product is misbruikt, in strijd met de gebruiksaanwijzing wordt gebruikt of onjuist is aangesloten. Deze garantie geldt niet voor:
  - alle schade aan het product die het gevolg is van onjuist onderhoud
  - elk product dat is veranderd of aangepast
  - elk product waar de oorspronkelijke identificatie (handelsmerk, serienummer) is beschadigd, gewijzigd of verwijderd
  - alle schade die is veroorzaakt door het niet opvolgen van de gebruiksaanwijzing
  - elk niet-CE-product
  - elk product waar een poging tot reparatie is gedaan door een niet-erkende professional of zonder voorafgaande toestemming door Techtronic Industries.
  - elk product dat is verbonden met een verkeerde voeding (amperage, spanning, frequentie)
  - alle schade die is veroorzaakt door externe invloeden (chemisch, fysisch, schokken) of vreemde stoffen
  - normale slijtage van reserveonderdelen
  - ongepast gebruik, overbelasting van het gereedschap
  - gebruik van niet-goedgekeurde accessoires of onderdelen
  - gereedschapsaccessoires die bij het gereedschap worden geleverd of afzonderlijk zijn aangeschaft. Zulke uitzonderingen bevatten, maar niet beperkt tot schroevendraaierbits, boorbits, slijpschijven, schuurpapier en zagen, laterale geleiding
  - Componenten (onderdelen en accessoires) die onderhevig zijn aan natuurlijke slijtage, waaronder maar niet beperkt tot service-onderhoudsets, koelstofborstels, lagers, boorkoppen, SDS boorbitbevestigingen of ontvangers, stroomsoeren, hulpprepen, transporttassen, schuurplateaus, stofzakken, stofafvoerbuizen, viltlingen, pennen en veren van slagmoersleutels, etc.
- Voor onderhoud moet het product worden verzonden of gebracht naar een erkend servicecenter van RYOBI die voor elk land staan vermeld in de volgende lijst met adressen voor servicecentra. In sommige landen zal uw lokale RYOBI-dealer het product verzenden naar de RYOBI-serviceorganisatie. Wanneer u het product naar een servicecenter van RYOBI verzendt, moet het product veilig worden verpakt zonder enige gevaarlijke inhoud, zoals benzine, met het adres van de afzender en vergezeld van een korte beschrijving van het defect.
- Een reparatie/vervanging die onder deze garantie valt is gratis. Het vormt geen verlenging of een nieuwe start van de garantietermijn. Vervisselde onderdelen of gereedschappen worden ons eigendom. In sommige landen moeten de verzendkosten door de afzender worden betaald. Uw wettelijke rechten die voortvloeien uit de aankoop van het gereedschap blijven onaangetaast.
- Deze garantie is geldig in de Europese Gemeenschap, Zwitserland, Usland, Noorwegen, Liechtenstein, Turkije en Rusland. Buiten deze gebieden moet u contact opnemen met uw erkende RYOBI-dealer om vast te stellen of er een andere garantie van toepassing is.

### GEAUTORISEERD ONDERHOUDSCENTRUM

Om een geautoriseerd onderhoudscentrum in uw buurt te vinden, surf u naar <http://nl.ryobitools.eu/header/service-and-support/service-agents>.

## PT CONDIÇÕES DE APLICAÇÃO DA GARANTIA RYOBI®

Para além de quaisquer direitos previstos por lei resultantes da compra, este produto está coberto por uma garantia conforme descrição abaixo.

- O período da garantia é de 24 meses para consumidores particulares e inicia-se na data de compra do produto. Esta data tem de ser documentada por uma factura ou por outra prova de compra. O produto foi concebido para e destina-se apenas a consumidores particulares e uso privado. Assim, não é dada garantia em caso de utilização por profissionais ou uso comercial.
- Para uma parte da gama de ferramentas eléctricas (AC/DC) existe a possibilidade de prolongamento do período da garantia para além do período descrito acima, mediante registo no Web site [www.ryobitools.eu](http://www.ryobitools.eu). A elegibilidade das ferramentas para prolongamento do período da garantia é claramente visível nas lojas e/ou nas embalagens e está contida na documentação do produto. O utilizador final tem de fazer o registo online das suas ferramentas recém-adquiridas no prazo de 30 dias após a data de compra. O utilizador final pode fazer o registo para prolongamento da garantia no seu país de residência, desde que esteja listado no formulário de registo online e para os casos em que esta opção seja válida. Para além disso, os utilizadores finais têm de autorizar o armazenamento dos dados cujo preenchimento lhes for solicitado online e têm de aceitar os termos e as condições. O recibo de confirmação do registo é enviado por e-mail e, em conjunto com a factura original ostentando a data de compra, servirá de prova do prolongamento da garantia.
- A garantia cobre todos os defeitos do produto durante o período da garantia devidos a defeitos de fabrico ou de material à data da compra. A garantia está limitada à reparação e/ou substituição e não inclui quaisquer outras obrigações, incluindo mas não se limitando a, perdas complementares ou indirectas. A garantia não é válida se o produto tiver sido utilizado incorrectamente, utilizado de forma contrária ao Manual de Instruções ou se as respectivas ligações tiverem sido feitas incorrectamente. Esta garantia não se aplica ao seguinte:
  - quaisquer danos ao produto que sejam resultado de manutenção incorrecta
  - qualquer produto que tenha sido alterado ou modificado
  - qualquer produto cujas marcações de identificação de origem (marca comercial, número de série) tiverem sido apagadas, alteradas ou retiradas
  - quaisquer danos causados pelo incumprimento do Manual de Instruções
  - qualquer produto que não seja da Comunidade Europeia
  - qualquer produto ao qual tenha sido feita, ou tentada fazer, uma reparação por outra pessoa que não um profissional habilitado ou sem autorização prévia da Techtronic Industries.
  - qualquer produto ligado a uma fonte de alimentação eléctrica incorrecta (Amperes, Voltagem e Frequência)
  - qualquer dano causado por influências externas (químicas, físicas, impactos) ou substâncias estranhas
  - desgaste e degradação normal de sobresselentes
  - utilização incorrecta, sobrecarga da ferramenta
  - utilização de acessórios ou peças não aprovados
  - acessórios para ferramentas eléctricas fornecidos com a ferramenta ou comprados em separado. Estas exclusões incluem mas não se limitam a, pontas de aparafusadora, brocas, discos abrasivos, papel de lixa e lâminas, guia lateral
  - Componentes (peças e acessórios) sujeitos a desgaste e degradação natural, incluindo mas não se limitando a, Kits de Assistência e Manutenção, escovas de carvão, rolos, bucha, acessórios ou recepções de brocas SDS, cabos eléctricos, peças auxiliares, estojos de transporte, placas de lixagem, sacos de poeiras, tubos de saída de poeiras, anilhas de feltro, pinos e molas da aparafusadora de impacto, etc.
- Para assistência, o produto tem de ser enviado para, ou apresentado em, um posto de assistência autorizado RYOBI, conforme listado para cada país na lista de moradas de postos de assistência seguinte. Nalguns países, o seu concessionário RYOBI local encarrega-se de enviar o produto para a organização de assistência RYOBI. Quando enviar um produto para um posto de assistência RYOBI, o produto deve ser embalado de forma segura, sem conter nenhuns conteúdos perigosos (por exemplo, gasolina), marcado com o endereço do remetente e acompanhado por uma breve descrição da avaria.
- Uma reparação/substituição ao abrigo desta garantia é gratuita. Não constitui um prolongamento a, nem um novo início de, o período da garantia. As peças ou ferramentas substituídas tornam-se propriedade nossa. Nalguns países, o remetente terá de pagar os custos de entrega ou a remessa postal. Os seus direitos previstos por lei resultantes da compra da ferramenta mantêm-se inalterados
- Esta garantia é válida na Comunidade Europeia, Suíça, Islândia, Noruega, Liechtenstein, Turquia e Rússia. Fora destas áreas, entre em contacto com o seu concessionário autorizado RYOBI para determinar se existe outra garantia aplicável.

## CENTRO DE ASSISTÊNCIA AUTORIZADO

Para encontrar um centro de assistência autorizado próximo de si, visite <http://pt.ryobitools.eu/header/service-and-support/service-agents>.

## DA RYOBI® BETINGELSER FOR GARANTI

Udover lovbestemte rettigheder, som resulterer af købet, er dette produkt dækket af en garanti, som anført herunder.

- Garantiperioden er 24 måneder for forbrugere og begynder på den dato, som produktet blev købt. Denne dato skal dokumenteres af en faktura eller andet bevis for køb. Produktet er udelukkende designet og dedikeret til forbrugere og privat brug. Så der ydes ingen garanti i tilfælde af professionel eller kommerciel brug.
- Der er en mulighed for at forlænge garantiperioden for en del af udvalget af elværktøj (AC/DC), hen over den ovenfor beskrivne periode vha. registrering på hjemmesiden [www.ryobitools.eu](http://www.ryobitools.eu). Bortsettelse af værktøjet til forlængelse af garantiperioden er tydeligt vist i butikker og/eller på emballage/og indeholdt i produktokumentationen. Slutbrugeren skal registrere hans/hendes nyligt indkøbte værktøj online indenfor 30 dage efter købsdatoen. Slutbrugeren kan registrere sig for den forlængede garanti i sit land, hvis han/hun er opført på den online registreringsformular, hvor denne mulighed er gyldig. Derudover skal slutbrugere give deres samtykke til at opbevare data, som er påkrævet at indtaste online, og de er nødt til at acceptere vilkår og betingelser. Registreringsbekræftelseskvitteringen, som sendes ud på e-mail, og den originale faktura, som viser købsdatoen, vil fungere som bevis for den forlængede garanti.
- Garanti dækker alle defekter, som et produkt måtte have i løbet af garantiperioden, og som skyldes produktionsfejl eller materialefejl på købsdatoen. Garantien er begrænset til reparation og/eller udfiskning og inkluderer ikke andre forpligtelser, inklusiv men ikke begrænset til tilfældige skader eller følgeskader. Garantien er ugyldig, hvis produktet er blevet misbrugt, brugt uden at overholde vejledningen, eller det er blevet forkert tilsluttet. Denne garanti gælder ikke:
  - Beskadigelse af produktet, som er et resultat af uegnet vedligeholdelse
  - Et produkt der er blevet ændret eller modificeret
  - Et produkt hvor de originale identifikationsmærkninger (varemærke, serienummer) er blevet ødelagt, ændret eller fjernet.
  - Enhver beskadigelse forårsaget af manglende overholdelse af vejledningen
  - Ethvert ikke CE-produkt
  - Ethvert produkt som er blevet forsøgt repareret af en ukvalificeret professionel eller uden tidligere autorisation af Techtronic Industries.
  - Ethvert produkt som er tilsluttet uegnet strømforsyning (ampere, spænding, frekvens)
  - Enhver skade forårsaget af ekstern påvirkning (kemisk, fysisk, chok) eller fremmedelementer
  - Normal slid på reservedele
  - Uegnet brug, overbelastning af værktøjet
  - Brug af ikke-godkendt tilbehør eller dele
  - Elværktøjstilbehør som leveres med værktøjet eller købes separat. Sådanne undtagelser inkluderer men er ikke begrænset til skruetrækkerbits, bor, bits, slibeskiver, sandpapir og klinger, sidestyrt
  - Komponenter (dele og tilbehør) som er udsat for naturligt slid og ælde, inklusiv men ikke begrænset til Service- og vedligeholdelsessæt, kulbrøster, lejer, bøsninger, påsætning eller modtagelse af SDS-bor, El ledning, hjælpehåndtag, transporttaske, sandplade, støvpose, støvdudstødningslange, filtskiver, nåle og fjedre slagngøle etc.
- For eftersyn skal produktet sendes til eller præsenteres for en RYOBI-autoriseret service værksted, som er oplyst for hvert land i den følgende liste over service værksted adresser. I nogle lande påtager din lokale RYOBI-forhandler sig ansvaret for at sende produktet til RYOBI-serviceorganisationen. Når et produkt sendes til en RYOBI-service værksted, skal det pakkes sikkert ind uden noget farligt indhold som benzin, mærkes med afsenderens adresse og med en kort beskrivelse af fejlen.
- En reparation/erstatning under denne garanti er gratis. Den udgør ikke en forlængelse eller en ny start på garantiperioden. Udvekslede dele eller værktøjer bliver vores ejendom. I nogle lande skal leveringsafgifter eller porto betales af afsenderen. Dine lovbestemte rettigheder i forbindelse med købet forbliver uanfægtede
- Denne garanti gælder i EU, Schweiz, Island, Norge, Liechtenstein, Tyrkiet og Rusland. Udenfor disse områder bedes du kontakte din autoriserede RYOBI-forhandler for at afgøre, om en anden garanti gælder.

## AUTORISERED E SERVICE/VERKSTEDER

Find nærmeste autoriserede serviceværksted på <http://dk.ryobitools.eu/header/service-and-support/service-agents>.

## SV RYOBI® ANVÄNDNINGSVILLKOR FÖR GARANTI

Förutom eventuella lagstadgade rättigheter som uppstår genom köpet, täcks den här produkten av en garanti som anges nedan.

1. Garantiperioden är 24 månader för konsumenter och börjar gälla från det datum då produkten köptes. Detta datum måste dokumenteras på en faktura eller annat köpbevis. Produkten är utformad och avsedd för konsumenter och privat bruk. Därmed tillhandahålls ingen garanti vid yrkesmässigt eller kommersiellt bruk.
2. Det finns möjlighet att förlänga garantiperioden för en del av utbudet för elverktyg (AC/DC) under den period som anges ovan genom att använda registreringen på webbplatsen [www.ryobitools.eu](http://www.ryobitools.eu). De verktyg som är berättigade till en förlängning av garantiperioden visas tydligt i butiker och/eller på förpackningen/och anges i produktdokumentationen. Slut användaren behöver registrera hans/hennes nyförvävade verktyg online inom 30 dagar från köpdatumet. Slut användaren kan registrera sig för den förlängda garantin i det land där han/hon bor om landet finns angivet i registreringsformuläret online och där detta alternativ är giltigt. Dessutom måste slut användaren ge sitt medgivande till lagring av data vilket krävs vid registrering online samt acceptera villkoren. Bekräftelsekvittot för registreringen som skickas ut via e-post och originalfakturan som visas köpdatumet kommer att gälla som bevis för den förlängda garantin.
3. Garantin täcker alla produktdefekter under garantiperioden som beror på brister i utförande eller material vid köpdatumet. Garantin är begränsad gällande reparation och/eller utbyte och inkluderar inte några skyldigheter inklusive men inte begränsat till oförutsedda skador eller följskador. Garantin är inte giltig om produkten har missbrukats, använts i strid med bruksanvisningen eller inte anslutits på rätt sätt. Denna garanti täcker inte:
  - eventuella skador på produkten som uppstått till följd av felaktigt underhåll
  - produkter som har ändrats eller modifierats
  - produkter där ursprungliga identifieringsmärkningar (varumärke, serienummer) har målats över, ändrats eller tagits bort
  - eventuella skador som uppstått till följd av att bruksanvisningen inte efterföljts
  - alla icke CE-produkter
  - eventuella produkter som har försökts repareras av en icke-kvalificerad yrkesman eller utan föregående medgivande från Technronic Industries.
  - eventuella produkter som anslutits till felaktig strömförsörjning (ampere, volt, frekvens)
  - eventuella skador som uppstått till följd av yttre påverkan (kemisk, fysisk, stöt) eller främmande ämnen
  - normalt slitage av reservdelar
  - olämplig användning, överbelastning av verktyget
  - användningen av icke-godkända tillbehör eller delar
  - tillbehör till elverktyg som medföljde verktyget eller köpts separat. Sådana undantag inkluderar men är inte begränsat till skruvmejselbits, borrbits, slipskivor, sandpapper, blad och sidoskena
  - Komponenter (delar och tillbehör) är föremål för naturligt slitage, inklusive men inte begränsat till service- och underhållsatsar, kolborstar, kullager, chuck, tillbehör eller tillhörande SDS-borrbitt, strömladd, hjälphandtag, transportväska, slipplatta, damppåse, dammtulblåsrör, filterbrickor, stift och fjädrar till mutterdragare osv.
4. Vid service måste produkten skickas eller uppvisas för en RYOBI- auktoriserad servicestation som står angiven för varje land i följande adresslista över servicestationer. I vissa länder tar din lokala RYOBI- återförsäljare på sig ansvaret att skicka produkten till RYOBI- serviceorganisationen. När en produkt skickas till en RYOBI- servicestation, ska produkten paketeras säkert utan något farligt innehåll såsom bensin, markeras med avsändarens adress samt en kort beskrivning av felet.
5. En reparation/ett utbyte under denna garanti är kostnadsfri. Det utgör inte en förlängning eller förnyelse av garantiperioden. Utbyta delar eller verktyg blir vår egendom. I vissa länder måste leveranskostnader eller porto betalas av avsändaren. Dina lagstadgade rättigheter som härrör från köpet av verktyget förblir opåverkade
6. Denna garanti är giltig i Europeiska gemenskapen: Schweiz, Island, Norge, Liechtenstein, Turkiet och Ryssland. Utanför dessa länder, kontakta din auktoriserade RYOBI-återförsäljare för att avgöra om en annan garanti gäller.

### AUKTORISERAT SERVICECENTER

Du hittar närmaste auktoriserade servicecenter genom att gå till <http://se.ryobitools.eu/header/service-and-support/service-agents>.

## FI RYOBI®-TAKUUN SOVELTAMISEHDOT

Tällä tuotteella on oston luomien lakisäasteiden oikeuksien ohella alla mainitun mukainen takuu.

1. Takuun kesto on kuluttajille 24 kuukautta ja takuuaika alkaa tuotteen ostopäivästä. Tämän päivämäärän tulee lukea laskussa tai muussa ostotositteessa. Tuote on suunniteltu ja tarkoitettu vain kuluttajien ja yksityiseen käyttöön. Takuu ei siis kata ammatti- eikä kaupallista käyttöä.
2. Joidenkin sähkötyökalujen (AC/DC) takuun kesto on mahdollista laajentaa yllä mainittua kestoä pidemmäksi verkkosivuston [www.ryobitools.eu](http://www.ryobitools.eu) rekisteröinnin kautta. Työkalujen kelppisuusi takuujakson laajennukseen näkyy selkeästi myymälöissä ja/tai pakkauksissa ja/ tai tämä tieto sisältyy tuotedokumentaation. Loppukäyttäjän täytyy rekisteröidä vasta hankitut työkalut internetissä 30 päivän kuluessa ostopäivämäärästä. Loppukäyttäjät voi rekisteröidä laajennettun takuun kotimaassaan, jos se on luetteluna online-rekisteröintilomakkeessa, jossa mainitaan, missä tämä vaihtoehto on voimassa. Loppukäyttäjien täytyy lisäksi hyväksyä tietojen tallennus, jotka heidän täytyy antaa online-tilassa sekä ehdot. Rekisteröinnin vahvistuskuitti, joka lähetetään sähköpostitse, ja alkuperäinen ostopäivämäärän ilmaiseva lasku toimivat laajennettun takuun tositteina.
3. Takuu kattaa kaikki tuotteeseen takuuaikana tulevat viat, joiden aiheuttajina ovat tuotteessa ostopäivänä olleet valmistus- tai materiaali viat. Takuu on rajoitettu korjaukseen ja/tai vaihtoon eikä se sisällä mitään muuta velvoitteita mukaan lukien satunnais- ja seuranaisvahinkoja, mutta rajoittumatta niihin. Takuu ei päde, jos tuotetta on käylytty väärin, käyttöohjeen vastaisesti tai jos se on liitetty virheellisesti. Tämä takuu ei kata:
  - virheellisestä huollosta johtuvia vaurioita
  - muunnettua tai muutettua tuotetta
  - tuotetta, jonka alkuperäiset tunnistemerkinnät (tavaramerkki, sarjanumero) on turmeltu, muutettu tai poistettu
  - tämän käyttöoppaan laiminlyönnistä johtuvia vaurioita
  - ei-CE-tuotetta
  - tuotetta, jota on yrittänyt korjata epäpätevä ammattilainen tai joka on korjattu ilman Technronic Industriesin emakkoluopaa.
  - tuotetta, joka on liitetty virheelliseen toholähteeseen (ampeirit, jännite, taajuus)
  - ulkoisten vaikutusten (kemiallinen, fyysinen, iskut) tai vieraiden aineiden aiheuttamaa vauriota
  - normaaleja kuluvia varaosia
  - virheellistä käyttöä, työkalun ylikuormitusta
  - ei-hyväksytyjen tarvikkeiden tai osien käyttöä
  - sähkötyökalun tarvikkeita, jotka on toimitettu työkalun mukana tai ostettu erikseen. Poissuljettuja osia ovat ruuvausterät, poranterät, hiomalaikat, hiekkapaperi ja terät, sivuohjain, näihin kuitenkaan rajoittumatta
  - Luonnollisesti kuluvia komponentteja (osia tai tarvikkeita), joihin sisältyvät huolto- ja kunnossapitoset, hiiliharjat, laakerit, terästäkat, SDS-porien kiinnitin tai istukka, virtajohto, apukahva, kuljetuskotelo, hiomalaikka, pölypussi, pölynpoistoputki, huopatiivisteet, iskunvääntimen pultit ja jouset yms. näihin kuitenkaan rajoittumatta.
4. Tuote on lähetettävä huollettavaksi valtuutettuun RYOBI-huoltoon tai näyteltävä siellä. Niiden osoitteet kussakin maassa löytyvät seuraavasta luettelosta. Joissakin maissa paikallinen RYOBI-jälleenmyyjä huolehtii tuotteen lähetyksestä RYOBI-huolto-organisaatioon. Kun tuote lähetetään RYOBI-huoltoon, se täytyy pakata hyvin ilman vaarallisia aineita, kuten polttoainetta, ja pakkaukseen täytyy merkitä lähettäjän nimi sekä vain lyhyt kuvaus.
5. Takuun kattama korjaus/vaihto on maksuton. Se ei tarkoita takuuaajan laajennusta tai alkamista alusta. Vaihdetut osat tai työkalut siirtyvät valmistajan omistukseen. Joissakin maissa lähettäjän täytyy maksaa lähetyksustannukset tai postikulut. Työkalun oston luomat lakisäasteiset oikeudet pysyvät koskemattomina
6. Tämä takuu on voimassa Euroopan yhteisössä, Sveitsissä, Islannissa, Norjassa, Liechtensteinissa, Turkissa ja Venäjällä. Ota näiden alueiden ulkopuolella yhteyttä omaan valtuutettuun RYOBI-jälleenmyyjään ja selvitä, onko jotain muuta takuuta.

### VALTUUTETTU HUOLTO

Voit etsiä lähimmän valtuutetun huollon sivulta <http://fi.ryobitools.eu/header/service-and-support/service-agents>.

## NO RYOBI® GARANTIBETINGELSER

I tillegg til eventuelle lovbestemte rettigheter som følger av kjøpet, er dette produktet dekket av en garanti som angitt nedenfor.

- Garantiperioden er 24 måneder for konsumenter og gjelder fra den datoen som produktet ble kjøpt. Denne datoen skal dokumenteres med en faktura eller annet kjøpsbevis. Produktet er designet og beregnet kun til konsument- og privat bruk. Så det gis ingen garanti ved profesjonell eller kommersiell bruk.
- For en del av utvalget av elektriske verktøy (AC/DC) er det mulighet til å utvide garantiperioden i den perioden som er beskrevet ovenfor ved bruk av registreringer på nettsidene [www.ryobitools.eu](http://www.ryobitools.eu). Kvalifiseringer av verktøyene for en utvidelse av garantiperioden er tydelig vist i butikker og/eller på pakningen / og finnes innen produktdokumentasjonen. Sluttbrukeren må registrere sine nylig anskaffede verktøy online innen 30 dager etter kjøpsdato. Sluttbrukeren kan registrere seg for den utvidede garantien i sitt land hvis det er opplistet på online registreringsskjemaet der dette alternativet er gyldig. Videre må sluttbrukere gi sitt samtykke til oppbevaring av dataene som kreves for å gå online, og de må godta vilkår og betingelser. Registreringsbekreftelsen, som sendes ut på e-post, og den originale fakturaen som viser kjøpsdato, vil tjene som bevis for den utvidede garantien.
- Garantien dekker alle defekter i produktet under garantiperioden på grunn av defekter i utførelse eller materiale på kjøpsdato. Garantien er begrenset til å reparere og/eller erstatte og inkluderer ikke noen andre forpliktelser, inkludert, men ikke begrenset til, tilfældige eller følgesmessige skader. Garantien er ikke gyldig hvis produktet har blitt misbrukt, brukt på annen måte enn det som beskrives i bruksanvisningen eller er koblet til på feil måte. Denne garantien gjelder ikke for:
  - enhver skade på produktet som er resultat av utlilskrekkelig vedlikehold
  - ethvert produkt som har blitt endret eller modifisert
  - ethvert produkt der de originale identifiseringsmerkene (varemerke, serienummer) har blitt uleselig, er endret eller fjernet
  - enhver skade som forårsakes av ikke-overholdelse av instruksjonshåndboken
  - ethvert ikke-CE-produkt
  - ethvert produkt som har blitt forsøkt reparert eller av en ikke-kvalifisert fagperson eller uten tidligere autorisasjon fra Techtronic Industries.
  - ethvert produkt tilkoblet feil strømforsyning (ampere, spenning, frekvens)
  - enhver skade som er forårsaket av eksterne påvirkninger (kjemiske, fysiske, støt) og fremmede stoffer
  - normal slitasje og sliiteresvedeler
  - feil bruk, overbelastning av verktøyet
  - bruk av ikke-godkjent tilbehør eller deler
  - Elektrisk verktøytilbehør levert med verktøyet eller kjøpt separat. Slike ekskluderinger, inkludert, men ikke begrenset til skrutrekkerbits, drillbits, slipedisker, sandpapir og blader, lateral føring
  - Komponenter (deler og tilbehør) som er utsatt for naturlig slitasje, inkludert, men ikke begrenset til service- og vedlikeholdssett, karbonborster, lagre, chuck, SDS-borrbifeste eller -mottak, strømledning, hjelpehåndtak, transportbæreske, sandingsplate, støvpose, støvutslippsrør, filtpakninger, støtnøkkelplinner og fjær, osv.
- For service må produktet sendes eller fremlegges for en RYOBI-autorisert servicestasjon opplistet for hvert land i den følgende listen over servicestasjonsadresser. I noen land sender den lokale RYOBI-forhandleren produktet til RYOBI serviceorganisasjonen. Ved å sende et produkt til en RYOBI servicestasjon skal produktet være sikkert pakket uten noe farlig innhold, slik som bensin, merket med senderens adresse og fulgt av en kort beskrivelse av feilen.
- En reparasjon/erstatning under denne garantien er gratis. Den utgjør ingen forlengelse eller ny start av garantiperioden. Utvekslede deler eller verktøy blir vår eiendom. I noen land vil leveringskostnader eller frankering måtte betales av senderen. Dine lovbestemte rettigheter som oppstår fra kjøp av verktøyet forblir uberørt.
- Denne garantien er gyldig i EU, Sveits, Island, Norge, Liechtenstein, Tyrkia og Russland. Utenfor disse områdene ta kontakt med din autoriserte RYOBI-forhandler om en annen garanti gjelder.

## AUTORISERT SERVICESENTER

For å finne et autorisert servicesenter i nærheten, gå til <http://no.ryobitools.eu/header/service-and-support/service-agents>.

## RU УСЛОВИЯ ПРИМЕНЕНИЯ ГАРАНТИИ НА ПРОДУКЦИЮ RYOBI®

Помимо законных прав, возникающих при покупке, данное изделие покрывается гарантией в соответствии с приведенными ниже пунктами.

- Гарантийный период для покупателя составляет 24 месяца с даты покупки изделия. Дата покупки должна быть подтверждена полностью заполненным гарантийным талоном и чеком о покупке. Данное изделие предназначено только для частного использования покупателем. Поэтому гарантия не распространяется на использование в профессиональных или коммерческих целях.
- Предусмотрена возможность продления для части изделий линейки электроинструментов (AC/DC) гарантийного периода с помощью регистрации на сайте [www.ryobitools.eu](http://www.ryobitools.eu). Право инструмента на продление гарантийного периода четко указано в магазинах и / или на упаковке / и содержится в сопутствующей инструменту документации. Конечный пользователь должен зарегистрировать свой приобретенный инструмент в течение 30 дней с даты покупки. Конечный пользователь может зарегистрировать свой инструмент на продление гарантии в стране своего проживания, если она указана в форме онлайн-регистрации. Кроме того, конечный пользователь должен дать свое согласие на хранение данных, которые необходимо ввести в онлайн-форму и принять правила и условия. Подтверждение регистрации, которое вы получите по электронной почте, заполненный гарантийный талон и оригинальный чек, в котором указана дата покупки, будут служить доказательством продленной гарантии.
- Гарантия покрывает в течение гарантийного периода все дефекты качества или материала изделия на дату покупки. Гарантия ограничена ремонтом и / или заменой и не включает никакие другие обязательства, включая, но не ограничиваясь случайными или косвенными убытками. Гарантия становится недействительной, если изделие использовалось не по назначению, вопреки инструкциям, данным в Руководстве пользователя или было неправильно подключено. Настоящая гарантия не распространяется на:
  - любые повреждения изделия в результате неправильного технического обслуживания или недостаточного ухода за инструментом
  - любые изделия, подвергшиеся изменениям и модификации
  - любые изделия, оригинальные идентификационные отметки которого (торговая марка, серийный номер) были повреждены, изменены или удалены
  - любые повреждения, вызванные несоблюдением инструкций Руководства пользователя
  - любые изделия, не сертифицированные маркировкой "CE" для продажи в Европейском союзе
  - любые изделия, подвергшиеся попыткам ремонта неквалифицированным работником или без предварительного утверждения компанией Techtronic Industries.
  - любые изделия, подключенные к неправильному источнику питания (сила тока, напряжение, частота)
  - любые повреждения, вызванные внешними воздействиями (химические, физические, удары) или посторонними веществами
  - естественный износ запасных деталей
  - несоответствующее использование, перегрузка инструмента
  - использование неутвержденных аксессуаров и неофициальных запасных частей
  - аксессуары электроинструментов, поставляемые с инструментом или приобретаемые отдельно. К этому списку относятся, но не исчерпывают его: сверла шуруповертов, дрелей, абразивные диски, наждачная бумага, лезвия и боковые направляющие компоненты (детали и аксессуары), подверженные естественному износу и разрыву, включая, но не ограничиваясь наборы для технического обслуживания, угольные щетки, подшипники, патроны, переходники SDS, кабели питания, дополнительные ручки, футляры для транспортировки, шифовальные подошвы, пылесборники, трубки для отвода пыли, войлочные шайбы, штыри и пружины ударных ключей и др.
- Для проведения технического обслуживания изделие следует направлять в авторизованные сервисные центры RYOBI, указанные для каждой страны в приведенном ниже списке адресов станций сервисного обслуживания. В некоторых странах местные дилеры RYOBI отправляют изделия в сервисные организации RYOBI. При отправке изделия в сервисный центр RYOBI, изделие должно быть безопасно упаковано и не содержать никаких опасных веществ, таких как бензин, должен быть подписан адрес отправителя и сопровождаться кратким описанием неисправности.
- Ремонт / замена проводится в рамках настоящей гарантии бесплатно. Он не продлевает гарантию и не начинает новый гарантийный период. Заменяемые детали и инструменты становятся нашей собственностью. В некоторых странах отправитель должен оплачивать стоимость отправки. Ваши законные права, возникшие при покупке инструмента, остаются неизменными.
- Данная гарантия действительна в Европейском Союестве, Швейцарии, Исландии, Норвегии, Лихтенштейне, Турции и России. Вне указанных территорий обращайтесь к своему авторизованному дилеру RYOBI, чтобы узнать, применяются ли условия каких-либо других гарантий.

## УПОЛНОМОЧЕННЫЙ СЕРВИСНЫЙ ЦЕНТР

Чтобы найти ближайший уполномоченный сервисный центр, обратитесь к веб-сайту <http://ru.ryobitools.eu/header/service-and-support/service-agents>.

## PL WARUNKI GWARANCJI RYOBI®

Oprócz praw ustawowych wynikających z zakupu produkt jest objęty gwarancją, której warunki podano poniżej.

1. Okres gwarancyjny wynosi 24 miesiące dla konsumentów i rozpoczyna się w dniu zakupu produktu. Datę zakupu należy udokumentować fakturą lub innym dowodem zakupu. Produkt został zaprojektowany i jest przeznaczony do użytku konsumenckiego i prywatnego. W związku z tym gwarancja nie obejmuje zastosowań profesjonalnych i komercyjnych.
2. Istnieje możliwość wydłużenia okresu gwarancyjnego dla części asortymentu narzędzi ręcznych z napędem mechanicznym (AC/DC) poprzez zarejestrowanie produktu na stronie internetowej [www.ryobitools.eu](http://www.ryobitools.eu). Kwalifikowalność narzędzi do wydłużenia okresu gwarancyjnego jest wyraźnie określona w sklepach i/lub na opakowaniu oraz w dokumentacji produktu. Użytkownik końcowy musi zarejestrować nowo kupione narzędzia online w ciągu 30 dni od daty zakupu. Użytkownik końcowy może zarejestrować się w celu przedłużenia gwarancji w swoim kraju zamieszkania, jeżeli jest on wymieniony w formularzu rejestracji online, gdzie opcja ta obowiązuje. Ponadto użytkownicy końcowi muszą wyrazić zgodę na przechowywanie danych, wprowadzanych na stronie internetowej i zaakceptować regulamin. Dowodem wydłużenia gwarancji jest wysłane pocztą elektroniczną potwierdzenie rejestracji i oryginał faktury potwierdzającej datę zakupu.
3. Gwarancja obejmuje wszystkie wady produktu ujawnione w okresie gwarancyjnym wynikające usterek wykonania lub materiału obecnego w dniu zakupu. Gwarancja jest ograniczona do naprawy i/lub wymiany i nie obejmuje żadnych innych zobowiązań, w tym między innymi odpowiedzialności za szkody przypadkowe lub wtórne. Gwarancja nie obowiązuje, jeżeli produkt był nieprawidłowo używany, używany niezgodnie z instrukcją lub nie był prawidłowo podłączony. Gwarancja nie obejmuje:
  - uszkodzenia produktu wynikającego z nieprawidłowej konserwacji,
  - produktu, który został zmieniony lub zmodyfikowany,
  - produktu, którego oryginalne oznaczenie (znak towarowy, numer seryjny) zostało zniszczone, zmienione lub usunięte,
  - jakiegokolwiek uszkodzeń wynikających z nieprzebrzeżenia instrukcji,
  - jakiegokolwiek produktu bez certyfikatu CE,
  - jakiegokolwiek produktu, który próbowano naprawiać z pomocą niewykwalifikowanej osoby lub bez uzyskania wcześniejszej zgody firmy Techtronic Industries.
  - jakiegokolwiek produktu podłączonego nie prawidłowego źródła zasilania (nieprawidłowe napięcie prądu, napięcie, częstotliwość),
  - jakiegokolwiek uszkodzeń spowodowanych wpływem czynników zewnętrznych (chemicznych, fizycznych, drgań) lub substancji obcych,
  - normalnego zużycia części zamiennych,
  - nieprawidłowego użycia, przeciążenia narzędzia,
  - stosowania niezatwierdzonych akcesoriów lub części,
  - akcesoriów narzędzi ręcznych z napędem mechanicznym dostarczonych z narzędziem lub kupionych oddzielnie. Takie wykluczenia obejmują, między innymi, wymienne ostrza wkrętaka, wiertła, tarcze cierne, papier ścierny i ostrza, prowadnicę boczną.
  - elementów (części i akcesoriów) podlegających naturalnemu zużyciu obejmujących, między innymi, zestawy do konserwacji i serwisu, szczotki węglowe, łożyska, uchwyty, przystawkę wiertła SDS, gniazdo, przewód zasilania, uchwyty pomocnicze, skrzynię transportową, płytę szlifierską, worek pyłowy, rurę odprowadzania pyłu, podkładki filcowe, kolki i sprężyny klucza udarowego itp.
4. W celu serwisowania produkt należy wysłać lub okazać w autoryzowanym punkcie serwisowym RYOBI znajdującym się na przedstawionym poniżej wykazie punktów serwisowych w poszczególnych krajach. W niektórych krajach lokalny dystrybutor produktów RYOBI podejmuje się wysyłki produktu do centrum serwisowego RYOBI. W przypadku wysyłki do punktu serwisowego RYOBI produkt — pozbawiony jakiegokolwiek niebezpiecznych substancji, na przykład benzyny — należy bezpiecznie zapakować i dołączyć adres nadawcy oraz krótki opis usterek.
5. Naprawa/wymiana w ramach niniejszej gwarancji jest bezpłatna. Nie stanowi jednak o przedłużeniu lub rozpoczęciu od nowa biegu okresu gwarancyjnego. Wymienione części lub narzędzia stają się naszą własnością. W przypadku niektórych krajów nadawca będzie musiał uregulować koszty dostawy lub opłaty pocztowe. Prawa ustawowe wynikające z zakupu narzędzia pozostają niezmienione.
6. Niniejsza gwarancja obowiązuje w Unii Europejskiej, Szwajcarii, Islandii, Norwegii, Liechtensteinie, Turcji i Rosji. Poza tymi obszarami należy skontaktować się z autoryzowanym dostawcą produktów RYOBI i ustalić, czy obowiązuje inna gwarancja.

### AUTORYZOWANY PUNKT SERWISOWY

Najbliższy autoryzowany punkt serwisowy można wyszukać w witrynie internetowej <http://pl.ryobitools.eu/header/service-and-support/service-agents>.

## CS ZÁRUČNÍ PODMÍNKY RYOBI®

Kromě zákonných práv vyplývajících z koupě výrobku se na tento výrobek vztahuje také níže uvedená záruka.

1. Záruční doba pro spotřebitele je 24 měsíců a začíná datem nákupu výrobku. Datum musí být zaznamenáno na fakturě nebo jiném dokladu o koupi. Tento výrobek je navržen a určen pouze pro soukromé účely spotřebitelů. Záruka se tedy nevztahuje na profesionální nebo komerční využití výrobku.
2. U některých elektrických nástrojů (AC/DC) je možné záruční dobu prodloužit. K tomu je nutná registrace na stránkách [www.ryobitools.eu](http://www.ryobitools.eu). Možnost prodloužení záruční doby výrobků je jasně uvedena v prodejních, popř. na obalech nebo v dokumentech o výrobku. Koncový uživatel musí svůj nový nástroj zaregistrovat online do 30 dnů od data nákupu. Koncový uživatel se může k prodloužení záruční doby zaregistrovat v zemi trvalého pobytu, pokud je tato uvedena na internetovém registračním formuláři u výrobku, kde je tato možnost dostupná. Koncoví uživatelé musí dále souhlasit s uložením osobních údajů, která musí zadat na internetu, a přijmout obchodní podmínky. E-mail s původní registrací a původní faktura s datem koupě poslouží jako důkaz o prodloužené záruce.
3. Záruka se vztahuje na veškeré vady na výrobku v rámci záruční doby způsobené výrobními vadami nebo vadami materiálu v době koupě. Záruka je omezena na opravu, popřípadě výměnu a nezahrnuje žádná další povinnosti, včetně mimo jiné vedlejších či následných odškodnění. Záruka neplatí při použití výrobku k nevhodným účelům, v rozporu s uživatelskou příručkou nebo při nesprávném zapojení. Záruka se nevztahuje na:
  - veškeré škody na výrobku způsobené nesprávnou údržbou
  - veškeré produkty, které byly pozměněny nebo upraveny
  - veškeré produkty, kde byly původní identifikační prvky (obchodní značka, sériové číslo) poničeny, pozměněny nebo odstraněny
  - veškeré škody způsobené nedodržením pokynů uživatelské příručky
  - veškeré produkty bez CE certifikace
  - veškeré produkty, které se pokusil opravit nekvalifikovaný odborník nebo opravy bez předchozího svolení společnosti Techtronic Industries.
  - veškeré produkty zapojené do nesprávného elektrického zdroje (proud, napětí, frekvence)
  - veškeré škody způsobené externími vlivy (chemickými, fyzickými, nárazy) nebo cizími látkami
  - běžné opotřebování dílů
  - nevhodné použití, přetěžování nástroje
  - použití neschválených příslušenství nebo dílů
  - příslušenství k elektrickému nástroji poskytnuté s nástrojem nebo zakoupené samostatně. Tyto výjimky se vztahují mimo jiné na šroubovací bity, vrtáky, brusné disky, brusný papír a čepele, postranní vodič lišty
  - komponenty (díly a příslušenství) podléhající přirozenému opotřebování, včetně mimo jiné servisních sad, karbonových kartáčů, ložisek, sklíčidla, SDS nástavce na vrtací bity, napájecího kabelu, pomocné rukojeti, přepravního pouzdra, brusné desky, prachového vaku, výfukové prachové trubice, plstěných podložek, západek a pružin rážového utahávkového trudu.
4. K provedení servisu musí být výrobek zaslán nebo předán do autorizovaného servisního centra společnosti RYOBI, jejichž adresy jsou uvedeny podle zemi v seznamu servisních center. V některých zemích z vás výrobek pošle servisní organizaci RYOBI sám prodejce výrobků této značky. Při zasílání výrobku do servisního centra RYOBI je potřeba výrobek bezpečně zabalit bez nebezpečného obsahu jako benzín, opatřit adresou odesílatele a přiložit krátký popis závady.
5. Oprava, popř. výměna v rámci této záruky je zdarma. Neznamená to prodloužení nebo začátek nové záruční lhůty. Vyměněné díly nebo nástroje přejdou do našeho vlastnictví. V některých zemích platí poštovné odesílatele. Vaše zákonná práva vyplývající z koupě tohoto nástroje zůstávají nedotčena.
6. Tato záruka platí v Evropském Společenství, Švýcarsku, Norsku, Lichtenštejnsku, Turecku, Rusku a na Islandu. Mimo tato území kontaktujte autorizovaného prodejce značky RYOBI, který zjistí, zda se na výrobek vztahuje jiná záruka.

### POVĚŘENÉ SERVISNÍ STŘEDISKO

Pro nalezení nejbližšího pověřeného servisního střediska navštivte <http://cz.ryobitools.eu/header/service-and-support/service-agents>.

## **HU** A RYOBI® GARANCIA ALKALMAZÁSÁNAK FELTÉTELEI

A vásárlásból adódó törvényben rögzített jogok mellett a termékre az alábbi garancia vonatkozik.

1. A fogyasztói garancia tartama 24 hónap, mely a termék vásárlásának napjával kezdődik. Ezt a dátumot számlával vagy a vásárlást igazoló egyéb dokumentummal kell bizonyítani. A termék rendeltetése csak fogyasztói és magán céllú használható. Ezért professzionális vagy kereskedelmi használat esetén a garancia nem érvényes.
2. A szerszámgépek (egyenáramú/váltóáramú) egy részénél a garancia időtartama a [www.ryobitools.eu](http://www.ryobitools.eu) weblapon regisztrálva meghosszabbítható. Az áruházakban, a csomagolásban, illetve a termék dokumentációjában egyértelműen jelezzük, hogy az adott termék garanciája meghosszabbítható-e. A végfelhasználónak a vásárlás dátumától számított 30 napon belül regisztrálnia kell az újonnan vásárolt szerszámot. A végfelhasználó akkor regisztrálhatja a kiterjesztett garanciáira, ha az ország, ahol lakik, fel van sorolva az online regisztrációs űrlapon azon országok között, ahol választható ez az opció. Ezenkívül a végfelhasználónak bele kell egyeznie az online regisztrálás során szükséges adatok tárolásába, és el kell fogadnia a felhasználási feltételeket. A kiterjesztett garanciát a regisztráció beérkezésétől e-mailben küldött visszaigazolás és a vásárlás dátumát tartalmazó eredeti számla igazolja.
3. A garancia a termék vásárlásakor fennálló, a gyártás során keletkezett hibákra és anyaghibákra érvényes a garanciális időtartamon belül. A garancia csak a javításra/cserére korlátozódik, és nem terjed ki semmilyen egyéb kötelezettségre, nem kizárólagosan ideértve a véletlen vagy szándékos rongálást. A garancia nem érvényes, ha a terméket nem megfelelően, a használati utasításban foglaltakkal ellentétben, illetve nem megfelelően csatlakoztatva használták. A garancia nem vonatkozik:
  - a terméket a nem megfelelő karbantartás következtében ért károsodásra
  - megváltoztatott vagy átalakított termékre
  - olyan termékre, melyen az eredeti azonosítókat (védjegy, sorozatszám) megrongálták, megváltoztatták vagy eltávolították
  - a használati utasítás be nem tartásából eredő kárra
  - CE jelöléssel nem rendelkező termékekre
  - olyan termékre, melyet nem képzett, illetve a Techtronic Industries által nem fejlesztett szerelvény javított
  - nem megfelelő (áramerősségű, feszültségű, frekvenciájú) áramforrásra csatlakoztatott termékre
  - külső (vegyi, fizikai, ütés) hatásokból vagy idegen anyagokból eredő károkkra
  - a cserélhető alkatrészek természetes kopására és elhasználódására
  - a szerszám helytelen használatára, túlterhelésére
  - nem jóváhagyott tartozékok és alkatrészek használatára
  - A szerszámmal adott vagy külön megvásárolt tartozékokra. Ilyenek például (de nem kizárólag) a csavarhűzőfejek, fúrószárak, csiszolókorongok, csiszolópapír, kések, oldallirányú terelők.
  - A természetes kopásnak, elhasználódásnak kitett alkatrészek és kiegészítők, például (de nem kizárólag) szerviz- és karbantartókészletek, szénkéfek, csapagyak, tokmány, SDS fúrószár csatlakozója, tápkábel, segédfogantyú, szállítók, csiszolólap, porzsák, porelvezető cső, filcaltátek, ütműves csavarbehajtó gép csapszege és rugója stb.
4. A terméket javításra el kell vinni egy meghatalmazott RYOBI szervizbe; ezeket az egyes országokhoz a következők listában találja. Egyes országokban a helyi RYOBI kereskedő vállalja a termék elszállítását a RYOBI szervizbe. A terméket veszélyes tartalom, például benzín nélkül csomagolja, a feladó címét feltüntetve, a hiba rövid leírásával együtt küldje el a RYOBI szervizbe.
5. A jelen garancia hatálya alatt végzett javítás, illetve csere ingyenes. Nem jelenti a garanciális időtartam újraindulását. A kicserélt alkatrészek és szerszámok a mi tulajdonunkba kerülnek. Egyes országokban a szállítás vagy postázás költségét a feladó viseli. A vevőnek a szerszám megvásárlásából adódó törvényes jogai nem változnak.
6. Jelen garancia az Európai Közösségben, Svájcban, Izlandon, Norvégiában, Liechtensteinben, Törökországban és Oroszországban érvényes. E területeken kívül kérdezze meg a RYOBI forgalmazót, hogy milyen garancia van érvényben.

### **HIVATALOS SZERVIZKÖZPONT**

A legközelebbi hivatalos szervizközpont megtalálásához látogasson el a <http://hu.ryobitools.eu/header/service-and-support/service-agents>.

## **RO** CONDIȚII DE APLICARE A GARANȚIEI PENTRU PRODUSELE RYOBI®

În plus față de condițiile statutare rezultate din achiziționarea acestui produs, acesta este acoperit de garanția stipulată mai jos.

1. Perioada de garanție este de 24 de luni pentru consumatori și începe de la data achiziționării produsului. Data de începere a garanției trebuie demonstrată cu o factură sau altă dovadă a cumpărării produsului. Produsul este destinat și conceput doar pentru utilizare în scopuri personale. Din acest motiv, nu se oferă garanție pentru utilizarea sa în scop profesional sau comercial.
2. Există posibilitatea de a extinde a perioadei de garanție pentru gama de unelte electrice (de CA/CC) peste perioada stipulată mai sus prin înscrierea produsului pe [website-ul www.ryobitools.eu](http://www.ryobitools.eu). Eligibilitatea pentru perioada de extindere a garanției este afișată în mod clar în magazinele de vânzare și/sau pe ambalaj sau este inclusă în documentația livrată împreună cu produsul. Utilizatorul final este obligat să-și înregistreze produsul online în termen de maxim 30 de zile de la data achiziției acestuia. Utilizatorul final poate înregistra produsul pentru garanția extinsă oferită în țara sa de rezidență dacă aceasta este listată în formularul de înregistrare online și dacă această opțiune este validă. În plus, utilizatorul final trebuie să-și dea acordul pentru stocarea datelor personale solicitate la înregistrarea online și trebuie să accepte termenii și condițiile. Mesajul de confirmare a înregistrării, trimis prin e-mail și factura originală cu data achiziției vor dovedi perioada de garanție extinsă.
3. Garanția acoperă toate defecțiunile produsului survenite în perioada de garanție datorate defectelor de execuție sau materialelor folosite, începând cu data achiziției acestuia. Garanția este limitată la reparare și/sau înlocuire și nu include alte obligații, inclusiv, dar fără a se limita la daune accidentale sau rezultate pe cale de consecință. Garanția își pierde valabilitatea dacă produsul este utilizat necorespunzător, utilizat neconform cu instrucțiunile de utilizare din manualul cu instrucțiuni sau conectat incorect. Garanția nu se aplică în cazul:
  - oricărei defecțiuni survenite în urma întreținerii necorespunzătoare a produsului
  - oricărui produs alterat sau modificat
  - oricărui produs la care inscripțiile cu datele de identificare (marca comercială, numărul de serie) au fost șterse, modificate sau îndepărtate
  - oricărei defecțiuni datorate neconformării cu instrucțiunile din manualul de utilizare
  - oricărui produs necertificat CE
  - oricărui produs asupra căruia au fost efectuate tentative de reparare de către personal necertificat sau fără autorizație prealabilă din partea Techtronic Industries.
  - oricărui produs conectat la o sursă de alimentare necorespunzătoare (curent, tensiune, frecvență)
  - oricărui defecțiuni datorate unor influențe externe (chimice, fizice, socuri) sau substanțe străine
  - uzurii și fisurării normale a pieselor de rezervă
  - utilizării neadecvate, suprasolicitării uneltei
  - utilizării de piese și accesorii neaprobate
  - accesorilor pentru unelți furnizate odată cu acestea sau achiziționate separat. Acestea sunt excluse și aplică, dar fără a se limita la următoarele: burghie, biți de șurubelniță, discuri abrazive, hărte abrazive și lame de tăiere, ghidaje laterale
  - Componentele (piese și accesorii) supuse uzurii normale, care includ, fără a se limita la, kituri de întreținere și service, perle de carbon, rulmenți, mandrină, adaptor pentru burghie SDS, cordon de alimentare, manere auxiliare, cutie de transport, placă pentru șlefuit, suport praf, tub pentru evacuarea prafului, discuri de păsă, adaptoare și resorturi pentru cheile de strângere prin vibrație, etc.
4. Pentru efectuarea reparațiilor, produsul trebuie trimis sau adus la un centru de reparații autorizat RYOBI din lista următoare de centre de reparații prezentate pentru fiecare țară. În anumite țări, reprezentantul local RYOBI va trimite produsul spre reparare la sediul central de reparații RYOBI. Atunci când trimiteți produsul spre reparare la un centru de reparații RYOBI, acesta trebuie ambalat în siguranță, fără conținut periculos (cum ar fi benzina), marcat cu adresa expeditorului și însoțit de o scurtă descriere a defectului.
5. Repararea/inlocuirea în perioada de garanție este gratuită. Aceasta nu este însoțită de o prelungire sau o reinițiere a perioadei de garanție. Piesele sau uneltele schimbate devin proprietatea dvs. În anumite țări, taxele de expediție sau poștale vor fi suportate de expeditor. Drepturile dvs. statutare rezultate din achiziția produsului rămân neschimbate
6. Această garanție este valabilă în Comunitatea Europeană, Elveția, Islanda, Norvegia, Liechtenstein, Turcia și Rusia. În afara acestor zone, vă rugăm să contactați reprezentantul dvs. local RYOBI pentru a determina dacă se aplică alt tip de garanție.

### **CENTRU DE SERVICE AUTORIZAT**

Pentru a găsi un centru de service autorizat lângă dvs., vizitați <http://uk.ryobitools.eu/header/service-and-support/service-agents>.

## LV RYOBI® GARANTIJAS PIEMĒROŠANAS NOSACĪJUMI

Papildus jebkādam likumiskajām tiesībām, kuras rodas, veicot pirkumu, izstrādājums tiek nodrošināts ar tālāk tekstā noteikto garantiju.

1. Garantijas periods patērētājiem ir 24 mēneši, tā atskaitē tiek sākta no datuma, kurā veikta izstrādājuma iegāde. Šim datumam jābūt dokumentētam rēķinā vai citā pirkumu apliecināšā dokumentā. Izstrādājums ir radīts un paredzēts tikai patērētāja privātai lietošanai. Saistībā ar iepriekšminēto, garantija netiek nodrošināta profesionālas vai komerciālas lietošanas gadījumā.
2. Pastāv iespēja pagarināt daļas no elektroinstrumentu klāsta (Mainstrāvas/akumulatoru) garantiju ilgāk par iepriekš minēto periodu, izmantojot reģistrāciju interneta vietnē [www.ryobitools.eu](http://www.ryobitools.eu). Instrumenti, kas pakļauti garantijas perioda pagarināšanai, tiek skaidri apzīmēti veikalos un/vai uz iepakojuma un izstrādājumu komplektējošajā dokumentācijā. Gala lietotājam nepieciešams reģistrēt tālruni jauno instrumentu 30 dienu laikā no pirkuma datuma. Gala lietotājs var reģistrēties pagarinātajai garantijai savā mītnes valstī, ja tā minēta tiesaisties reģistrācijas veidlapā, kurā šī iespēja ir aktīva. Bez tam, gala lietotājam ir jāsniedz piekrišana tiesaisties ievadīšanai nepieciešamo datu glabāšanai un jāpiekrīt noteikumiem un nosacījumiem. Reģistrācijas apstiprinājums, kas tiek nosūtīts, izmantojot e-pastu, un rēķina oriģināls, kurā norādīts iegādes datums, kalpo kā pagarinātās garantijas apstiprinājums.
3. Garantija attiecas uz visiem izstrādājuma defektiem garantijas periodā, kas saistīti ar ražošanas vai materiālu defektiem no pirkuma datuma. Šī garantija tiek ierobežota ar remontu un/vai nomaiņu un neietver jebkādas citas saistības, tajā skaitā, bet ne tikai, cēloņsakarīgos, mainītus vai noņemtus bojājumus. Garantija nav spēkā, ja izstrādājums ir nepareizi lietots, izmantots pretēji norādēm lietošanas rokasgrāmatā vai bijis nepareizi pieslēgts. Šī garantija netiek attiecināta uz:
  - jebkādiem izstrādājuma bojājumiem, kas radušies nepareizas uzturēšanas rezultātā
  - jebkuru izstrādājumu, kas ticis pārveidots vai mainīts
  - jebkuru izstrādājumu, kura oriģinālais identifikācijas (preču zīme, sērijas numurs) marķējums ir ticis nodzēsts, mainīts vai noņemts
  - jebkādiem bojājumiem, kuri radušies neievērojot norādes lietošanas rokasgrāmatā
  - jebkādam izstrādājumam bez CE sertifikācijas
  - jebkuru izstrādājumam, kura remontu mēģinājis veikt nekvalificēts personāls vai bez Technronic Industries iepriekšējas autorizācijas.
  - jebkuru izstrādājumam, kurš bijis pieslēgts neatbilstošu parametru (strāvas, sprieguma, frekvences) sprieguma avotam
  - jebkuriem bojājumiem, kuri radušies ārējas iedarbības (ķīmiskas, fiziskas, triecieni) vai vielu ietekmē
  - detaļu normāla lietošanas nodiluma rezultātā
  - nepareizas lietošanas vai instrumentu pārslodzes rezultātā
  - neapstiprinātu detaļu vai aprīkojuma lietošanas rezultātā
  - elektroinstrumentu aksesuāriem, kas atrodas instrumenta komplektācijā vai ir iegādāti atsevišķi. Šis izņēmums attiecināms uz, bet neaprobežojoties ar, skrūvgrīvēju uzgaļiem, urbjiem, abrazīvajiem diskkiem, smilšpapīru un asmeņiem, sānu vadotnēm
  - komponentiem (daļām un aksesuāriem), kas pakļauti normālam nodilumam, ieskaitot, bet neaprobežojoties ar Servisa un apkopju komplekti, oglekļa sukuks, gultņi, patrona, SDS urbiņu uztverējiem vai uzlikas, elektrības vads, papildus rukturis, transportēšanas un pārnēsāšanas kaste, stipmašīnas plāksne, putekļu maisis, putekļu izvadišanas caurule, paplākšņi, triecienatslēgu tapas un atsperes, u.t.t.
4. Servisa nodrošināšanai, izstrādājums ir jānodod pilnvarotā RYOBI servisa centrā, kas norādīts katrai valstij tālāk minētajā servisa centru adresē sarakstā. Dažās valstīs jūs vietējais RYOBI izplatītājs uzņemas izstrādājuma nosūtīšanu uz RYOBI servisa organizāciju. Nosūtīt izstrādājumu uz RYOBI servisa centru, izstrādājuma jābūt droši iepakotam, tas nedrīkst saturēt bīstamas vielas kā degvielu, sūtfūjumam jābūt marķētam ar sūtfūta adresi un īsu kļūmes aprakstu.
5. Remonts/nomaiņa šīs garantijas ietvaros ir bezmaksas. Tas nerada garantijas perioda pagarināšanu vai jaunu garantiju. Nomaiņās daļas vai instrumentu kļūst par mūsu īpašumu. Dažās valstīs piegādes vai pasta izmaksas būs jāapmaksā sūtfūtam. Jūsu likumiskās tiesības, kas nodibinās, iegādājoties instrumentu, paliek nemainīgas
6. Šī garantija ir spēkā Eiropas Kopienā, Šveicē, Islandē, Norvēģijā, Līhtenšteinā, Turcijā un Krievijā. Ārpus šīm teritorijām, lūdzu, sazinieties ar jūsu pilnvaroto RYOBI izplatītāju, lai noteiktu, vai ir piemērojama cita garantija.

### AUTORIZĒTS APKALPOŠANAS CENTRS

Lai atrastu tuvāko autorizēto apkalpošanas centru, apmeklējiet <http://uk.ryobitools.eu/header/service-and-support/service-agents>.

## LT „RYOBI®“ GARANTIJOS TAIKYMO SĄLYGOS

Papildant bet kokias įstatymuose numatytas perkant atsirandančias teises, šiam įrenginiui taikoma toliau nurodyta garantija.

1. Vartotojams suteikiama 24 mėnesių trukmės garantija nuo įrenginio įsigijimo datos. Ši data turi būti nurodyta sąskaitoje faktūroje ar kitame pirkimą įrodančiame dokumente. Šis įrenginys skirtas tik vartotojų rinkai ir asmeniniam naudojimui. Todėl garantija netaikoma, jei įrenginys naudojamas profesiniams ar komerciniams reikiams.
2. Įsigijus tam tikrus elektrinius įrenginius (AC/DC), suteikiama galimybė pratęsti garantiją, kad ji galiojūt ilgiau, nei nurodyta pirmiau, naudojantis registracija interneto svetainėje [www.ryobitools.eu](http://www.ryobitools.eu). Ar galima pratęsti įrenginio garantinį laikotarpį, aiškiai nurodoma parduotuvėse ir (arba) ant įrenginio pakuočės, ir (arba) įrenginio dokumentuose. Galutinis naudotojas turi užregistruoti savo naujai įsigytą įrenginį per 30 dienų nuo įsigijimo datos. Galutinis naudotojas gali registruotis išplėstinei garantijai savo gyvenamojoje šalyje, jei ji nurodyta internetinėje registracijos formoje, kurioje siūloma tokia galimybė. Be to, galutiniai naudotojai turi sutikti su duomenų, kuriuos reikia įvesti internetu, saugojimu ir sveatinės naudojimo sąlygomis. Kaip išplėstinės garantijos įrodymas naudojamas registracijos patvirtinimo kvitas, atsiunčiamas e. paštu, ir originali sąskaita faktūra, kurioje nurodyta įsigijimo data.
3. Ši garantija apima visus garantiniu laikotarpiu aptiktus įrenginio trūkumus, atsiradusius dėl gamybos arba medžiaginių defektų nuo įsigijimo datos. Ši garantija nįbjoama remontu ir (arba) pakeitimu, ji neapima jokių kitų įsipareigojimų, įskaitant (bet tuo neapsiribojant) šaltinius arba antrinius nuostolius. Garantija anuliuojama, jei įrenginys buvo naudojamas netinkamai, naudojamas ne pagal naudojimo instrukciją arba netinkamai prijungtas. Ši garantija netaikoma:
  - jokiai įrenginiui padarytai žalai, kurią lemė netinkama techninė priežiūra;
  - jokiam įrenginiui, kuris buvo keičiamas ar modifikuojamas;
  - jokiam įrenginiui, kurio originalūs identifikavimo ženklai (prekės ženklas, serijos numeris) buvo sugadinti, pakeisti arba pašalinti;
  - jokiai žalai, kurią lemė naudojimo instrukcijos nesilaikymas;
  - jokiams CE ženklų nepažymėtiems įrenginiams;
  - jokiam įrenginiui, kurį bandė remontuoti nekvalifikuoti asmenys arba kuris buvo remontojamas be „Technronic Industries“ leidimo;
  - jokiam įrenginiui, kuris buvo prijungtas prie netinkamo maitinimo tinklo (netinkamos srovės, įtampos, dažnio);
  - jokiai žalai, kurią lemė išorinis poveikis (cheminis, fizinis, smūgiai) arba pašalinės medžiagos;
  - dėvimosios dalimis;
  - netinkamam naudojimui, įrenginio perkrovai;
  - nepatvirtintų priedų arba dalių naudojimui;
  - su įrenginiu pateiktiems arba atskirai įsigytiems elektrinio įrenginio priedams. Šios išimty apima (tuo neapsiribojant) atsektuvų antgalius, gražtų antgalius, šlifavimo diskus, švitrinį popierių ir geležtes, šoninį kreiptuvą;
  - komponentams (dalims ir priedams), kurie natūraliai dėviis, įskaitant (bet tuo neapsiribojant) įprastines ir technines priežiūros rinkinius, anglinius šepetėlius, guolius, laikiklį, SDS gražtų antgalii priedą arba lizdą, maitinimo kabelį, pagalbini rankena, nešiojimo dėklą, šlifavimo diską, maišelį dulkmėms, dulkių ištraukimo vamzdelį, foto poveržles, smūginio veržliarakčio kaiščius ir spyruokles ir pan.
4. Prireikus atlikti priežiūros darbus, įrenginį reikia siųsti arba atvežti RYOBI įgaliotajam priežiūros centrui, nurodytam kiekvienos šalies priežiūros centrų adresų sąrašė. Kai kuriose šalyse vietinis RYOBI atstovas siunčia įrenginį RYOBI priežiūros organizacijai. Siunčiant įrenginį RYOBI priežiūros centrui, reikia saugiai jį supakuoti pašalinami visas pavojingas medžiagas, pvz., benzina, nurodyti ant pakuotės siuntytojo adresą ir pridėti trumpą gedimo aprašymą.
5. Pagal šią garantiją remontas / keitimas atliekami nemokamai. Tokie veiksmai netaikomi garantijos pratęsimui arba naujo garantinio laikotarpio pradžia. Dalys arba įrenginiai, kuriuos pakeitėme, tampa mūsų nuosavybe. Kai kuriose šalyse pristatymo ir pašto išlaidas turi padengti siuntėjas. Įstatymuose numatytos teisės, atsirandančios perkant įrenginį, lieka nepakeistos
6. Ši garantija galioja Europos bendrijoje, Šveicarijoje, Islandijoje, Norvegijoje, Lichtenšteine, Turkijoje ir Rusijoje. Jei gyvenate ne šiose šalyse, kreipkitės į įgaliotąjį RYOBI atstovą ir sužinokite, ar jums taikoma kita garantija.

### ĮGALIOTOS TECHNINĖS PRIEŽIŪROS CENTRAS

Jei norite surasti įgaliotą techninės priežiūros centrą netoli Jūsų, silankykite interneto svetainėje <http://uk.ryobitools.eu/header/service-and-support/service-agents>.



Lisaks toote ostust tulenevatele seadusjärgsetele õigustele, kehtib tootele ka alitoodud garantiiga.

- Tarbijatele on garantiiaeg 24 kuud ja algab sellel kuupäeval, mil toode osteti. Selle kuupäeva tõestuseks on vaja arvet või mõnda teist tõendit ostu sooritamise kohta. Toode on mõeldud eratarbijatele ainult isiklikuks kasutamiseks. Seega ei kehti garantii ostu kasutamisel kutsetegevuses või kaubanduslikel eesmärkidel.
- Teatud osale elektrilistele (vahelduvvoolu/alalisvoolu) tööriistadele on võimalik pikendada tõestuseks toode garantiiaega, kasutades toote registreerimist veebilehel [www.ryobitools.eu](http://www.ryobitools.eu). Teave tööriista võimaliku pikendatud garantiiaja kohta on selgelt esile toodud poodides ja/või pakendil / ning see sisaldub toote dokumentatsioonis. Lõpptarbijaja peab registreerima oma uued tööriistad interneti teel 30 päeva jooksul pärast ostmise. Lõppkasutaja võib registreerida pikendatud garantiiaja saamise oma elukohariigis, kui veebis olevas registreerimisvormis on see valik lubatud. Lisaks peavad kasutajad andma oma nõusoleku veebis nõutud sisestatavate andmete säilitamiseks ning nad peavad nõustuma tingimustega. E-posti teel saadetak registreerimise kinnitus ja arve originaal, kus on näha ostu sooritamise kuupäev, on pikendatud garantiiaja tõestuseks.
- Garantii katab kõik defektid toote garantiiaja jooksul, kui ostu kuupäeval ilmnevad talitlus- või materjalivead. Garantii piirneb toote remondi ja/või väljavahetamisega ning ei sisalda muid kohustusi, muu hulgas ettenägematuid või kaudseid kahjusid. Garantii ei kehti, kui toodet ei ole kasutatud sihtotstarbelselt või kooskõlas kasutusjuhendiga või see on valesti ühendatud. Garantii ei kehti järgmistel põhjustel:
  - toode on kahjustatud vale hoolituse tõttu
  - toodet on muudetud
  - toote algsuunatud identifitseerimisnumbrid (kaubamärk, seerianumber) on rikutud, muudetud või eemaldatud
  - kahju on tekkinud kasutusjuhendi mittejärgmisest
  - tootel puudub CE-märgis
  - toodet on püüdnud remontida vastavat kvalifikatsiooni mitte omav isik või ilma firma Techtronic Industries eelneva loata.
  - toode on ühendatud valesse toiteallikasse (voolutugevus, pinge, sagedus)
  - välismõjude (keemilised, füüsilised, elektrilöögid) või võrkehade tekitatud kahju
  - tavapärane kulumine ja katkised varuosad
  - ebaõige kasutamine, tööriista ülekoormamine
  - heaõige kasutamine, tööriista ülekoormamine
  - heaõige kasutamine, tööriista ülekoormamine
  - heaskiitmata tarvikute või osade kasutamine
  - koos tööriistaga saadud või eraldi ostetud elektriliste tööriistade tarvikud. Need erandid puudutavad muu hulgas kruvikeeraja otsakuid, puuriterasid, lihvkettaid, lihvpaberit ja -tald, küljuhukuid
  - Komponendid (osad ja tarvikud), mida iseloomustab kulumine ja vananemine, muu hulgas remondi- ja hoolduskomplektid, süsinikharjad, laagrid, padrunid, SDS-puuriterade tarvikud, toitejuhid, lisakäepide, transpordikott, lihvplaat, tolmuokt, tolmua väljalasketoru, viildist seibid, löökmutrivõtme viildid ja vedrud jne.
- Hoolituseks peab toote saatma või viima RYOBI volitatud teenindusse, mille aadressi leiab järgnevat teeninduspunkti nimekirjast vastava riigi alt. Mõnedes riikides võtab kohalik RYOBI edasimüüja enda kanda kohustuse saata toode RYOBI teenindusorganisatsiooni. Toote saatmisel RYOBI teenindusse peab toode olema ohutult pakitud ja ei tohi sisaldada ohtlikke aineid (nt bensin), kirjas peab olema saatja aadress ja lisatud vea lühikirjeldus.
- Garantii alusel tehtavad remonditööd / asendamine on tasuta. See ei pikenda garantii kehtivusaega ega tähista uue garantiiaja algust. Väljavahetatud osad või tööriistad kuuluvad meile. Mõnedes riikides maksab kätetoimetamis- ja postikulud saatja. Teile jäävad kehtima tööriista ostust tulenevad seadusjärgsed õigused
- See garantii kehtib Euroopa Ühenduse territooriumil, Šveitsis, Islandil, Norras, Liechtensteinis, Türgis ja Venemaal. Väljaspool neid piirkondi võtke ühendust volitatud RYOBI edasimüüjaga, et teha kindlaks kas kehtib mõni teine garantii.

#### VOLITATUD HOOLDUSKESKUS

Oma volitatud hoolduskeskuse leiate veebisaidilt <http://uk.ryobitools.eu/header/service-and-support/service-agents>.

Osim svim zakonskim pravima koja proizlaze iz kupnje, ovaj je proizvod pokriven jamstvom kako je navedeno u nastavku.

- Jamstveno razdoblje za potrošače traje 24 mjeseca i počinje s datumom na koji je proizvod kupljen. Taj datum mora se dokumentirati računom ili drugim dokazom o kupnji. Proizvod je konstruiran i namijenjen samo za privatnu upotrebu korisnika. Stoga se jamstvo ne daje u slučaju profesionalne ili komercijalne uporabe.
- Postoji mogućnost da se za dio asortimana električnih alata pokretanih izmjeničnom strujom (AC/DC) produži gore navedeno jamstveno razdoblje putem registriranja na mrežnom mjestu [www.ryobitools.eu](http://www.ryobitools.eu). Uvjeti koje je potrebno zadovoljiti kako bi se produžilo jamstveno razdoblje jasno su istaknuti u prodavaonicama i / ili na pakiranju / i nalaze se unutar dokumentacije proizvoda. Krajnji korisnik mora registrirati svoje novo kupljene alate na mreži u roku od 30 dana od datuma kupnje. Krajnji korisnik može se registrirati za produženo jamstvo u svojoj zemlji boravišta ako se nalazi na popisu u mrežnom obrascu za registraciju gdje je ta opcija važeća. Nadalje, krajnji korisnici moraju dati svoj pristanak na pohranu podataka koji su potrebni za mrežni ulazak i moraju prihvatiti odredbe i uvjete. Potvrda o prijemu registracije, koja se šalje putem e-pošte, kao i originalni račun s vidljivim datumom kupnje poslužit će kao dokaz produženog jamstva.
- Jamstvo pokriva sve nedostatke proizvoda tijekom jamstvenog razdoblja koji su nastali zbog neispravnosti prilikom izrade ili materijala s datumom kupnje. Jamstvo je ograničeno na popravak i/ili zamjenu i ne obuhvaća nikakve druge obveze, uključujući, ali ne ograničavajući se na slučajne ili posjednične štete. Jamstvo ne vrijedi ako je proizvod bio zlorabljeno, korišten u suprotnosti s priručnikom s uputama ili ako je pogrešno spojen. Ovo jamstvo ne primjenjuje se na:
  - svaku štetu koja je na proizvodu nastala kao rezultat nepravilnog održavanja
  - svaki proizvod koji je promijenjen ili izmijenjen
  - svaki proizvod na kojem su izvorne identifikacijske oznake (žig, serijski broj) bile oštećene, izmijenjene ili uklonjene
  - svaku štetu prouzročenu neprimjerenom upotrebom priručnika s uputama
  - svaki proizvod koji nema oznaku CE
  - svaki proizvod koji je pokušao popraviti neovlašćen profesionalac ili onaj koji je popravljao bez prethodnog odobrenja tvrtke Techtronic Industries.
  - svaki proizvod koji je spojen na neprikladan izvor električnog napajanja (neodgovarajuća amperaza, napon, frekvencija)
  - svaku štetu prouzročenu unutarnjim utjecajima (kemijskim, fizikalnim, udarima) ili stranim tvarima
  - normalno habanje i trošenje rezervnih dijelova
  - neodgovarajuću uporabu, preopterećenje alata
  - upotrebu neodobrenog pribora ili dijelova
  - dotadnu neopremu električnog alata isporučenu s alatom ili kupljenu odvojeno. Takvi izuzetci uključuju ali nisu ograničeni na vrhove odvijачa, svrdla bušilice, abrazivne diske, brusni papir i noževe, bočnu vodilicu
  - Komponente (dijelovi i pribor) podložne prirodnom trošenju i habanju, što uključuje, ali nije ograničeno na komplecte za servisiranje i održavanje, ugljične četkice, ležajeve, steznu glavu, nastavak ili priključak za svrdla za SDS bušilicu, priključni kabel, pomoćnu ručku, transportne torbe, brusnu ploču, vreću za prašinu, ispušnu cijev za prašinu, podloške od filca, udami ključ, zatici i opruge, itd.
- Za potrebe servisiranja, proizvod se mora poslati ili odnijeti u ovlaštenu servisnu postaju tvrtke RYOBI navedenu na sljedećem popisu s adresama servisnih postaja u svakoj zemlji. U nekim zemljama, vaš lokalni RYOBI zastupnik obvezuje se da će poslati proizvod u servisnu organizaciju tvrtke RYOBI. Kada se proizvod šalje u neku servisnu postaju tvrtke RYOBI, proizvod se mora sigurno pakirati bez jednog od opasnih sadržaja kao što je benzin, na njemu mora pisati adresa pošiljatelja i mora biti popraćen kratkim opisom kvara.
- Popravak / zamjena pod ovim jamstvom su besplatni. Oni ne predstavljaju produženje ili novi početak jamstvenog razdoblja. Zamijenjeni dijelovi ili alati postaju vaše vlasništvo. U nekim državama troškove isporuke ili poštarinu mora platiti pošiljatelj. Vaša zakonska prava koja proizlaze iz kupnje alata ostaju nepromijenjena
- Ovo jamstvo vrijedi u Europskoj uniji, Švicarskoj, Islandu, Norveškoj, Lihtenštajnu, Turskoj i Rusiji. Izvan tih područja vas molimo da se obratite svojem ovlaštenom zastupniku tvrtke RYOBI kako biste utvrdili primjenjuje li se drugo jamstvo.

#### OVLAŠTENI SERVISNI CENTAR

Za pronalazjenje ovlaštenog servisnog centra pored vas posjetite <http://uk.ryobitools.eu/header/service-and-support/service-agents>.

## SL POGOJI ZA VELJAVNOST GARANCIJE RYOBI®

Poleg morebitnih zakonsko določenih pravic, ki izvirajo iz nakupa, za ta izdelek velja spodaj navedena garancija.

- Garancijsko obdobje je za potrošnike 24 mesecev in začne teči z dnem nakupa izdelka. Ta datum mora biti dokumentiran z računom ali drugim dokazilom o nakupu. Izdelek je zasnovan in namenjen izključno za potrošniško zasebno uporabo. V primeru strokovne oziroma komercialne uporabe izdelka garancija ne velja.
- Obstaja možnost podaljšanja garancije na del naše ponudbe električnih orodij (AC/DC) prek obdobja garancije, opisaneega zgoraj, s pomočjo registracije na spletnem mestu [www.ryobitools.eu](http://www.ryobitools.eu) website. Ustreznost orodij za podaljšanje garancijskega obdobja je jasno prikazana v trgovinah in/ali na embalaži oziroma je navedena v dokumentaciji izdelka. Končni uporabnik mora registrirati svoje novo orodje na spletu v 30 dneh po datumu nakupa. Končni uporabnik lahko registrira podaljšano garancijo v svoji državi bivanja, če je na obrazcu spletne registracije navedeno, da ta možnost velja za njegovo državo. Poleg tega morajo končni uporabniki podati svoje soglasje za shranjevanje podatkov, ki so potrebni za spletni dostop in morajo sprejeti pogoje in določila uporabe spletnega mesta. Potrdilo o registraciji, ki ga pošljemo prek e-pošte, in originalni račun, ki prikazuje datum nakupa, služita kot dokazilo o podaljšani garanciji.
- Garancija krije vse okvare izdelka, do katerih pride v garancijskem obdobju zaradi napak v izdelavi ali materialu, ki so bile prisotne ob datumu nakupa. Garancija je omejena na popravilo in/ali zamenjavo in ne vključuje nobenih drugih obveznosti, med drugim vključno z naključno ali posledično škodo. Garancija ne velja, če je bil izdelek napačno uporabljen, uporabljen v nasprotju z navodili iz priročnika za uporabo ali če ni bil pravilno povezan. Ta garancija ne velja za:
  - škodo na izdelku, ki je posledica neustreznega vzdrževanja
  - spremenjen ali prilagojen izdelek
  - izdelek, katerega originalna identifikacijska oznaka (blagovna znamka, serijska številka) je bil poškodovan, spremenjena ali odstranjena
  - škodo, ki je posledica neupoštevanja navodil iz priročnika za uporabo izdelka, ki nima oznake CE
  - izdelek, ki ga je poskušal opraviti ne kvalificiran strokovnjak ali ki je bil popraviljen brez predhodne odobritve s strani družbe Techtronic Industries.
  - izdelek, ki je bil povezan na neustrezno napajanje (amperska moč, napetost, frekvenca)
  - škodo, ki jo povzročijo zunanji vplivi (kemični, fizični, mehanski) ali tuje snovi
  - rezervne dele, ki so podvrženi običajni uporabi
  - neprimerno uporabo, preobremenitev orodja
  - uporabo neodobrenih dodatkov ali delov
  - Dodatno električno orodje, priloženo orodju ali kupljeno ločeno. Take izjeme so med drugim nastavki za izvijače, svedri, abrazivni diski, brusni papir in rezila, stranska vodila.
  - Komponente (sestavni in rezervni deli), ki so podvrženi običajni obrabi, med drugim vključno s kompleti za servisiranje in vzdrževanje, oglikovimi krtačkami, ležaji, vpenjali, svedrni priključki SDS ali sprejemnimi odprtini zanje, napajalnimi kablji, pomožnimi ročajji, prenosnimi kovički, brusnimi ploščami, vrečkami za prah, cevmi za izpuh prahu, tesnilni iz filca, iglami in vzmetni udamega ključa itd.
- Za servisiranje morate izdelek poslati ali prinesiti v pooblaščen servisni center družbe RYOBI, ki je naveden za vsako državo na naslednjem seznamu naslovov servisnih centrov. V nekaterih državah se vaš lokalni posrednik družbe RYOBI obveže, da bo poslal izdelek na servis družbe RYOBI. Ko pošiljate izdelek v servisni center družbe RYOBI, mora biti izdelek varno zapakiran in ne sme vsebovati nobenih nevarnih snovi, kot je npr. bencin, opremljen pa mora biti z naslovom pošiljatelja in vsebovati kratek opis napake.
- Popravilo/zamenjava v skladu s to garancijo sta brezplačni storitvi. To pa ne predstavlja podaljšanja ali ponovnega začetka garancijskega obdobja. Zamenjani deli ali orodja postanejo naša last. V nekaterih državah stroške dostave ali poštno plača pošiljatelj. Vaše zakonsko določene pravice, ki izvirajo iz nakupa orodja, ostajajo nespremenjene.
- Ta garancija velja v Evropski skupnosti, Švici, Islandiji, na Norveškem, v Lichtenštajnu, v Turčiji in Rusiji. Izven teh območij se obrnite na svojega pooblaščenega posrednika izdelkov RYOBI, dealer ki vam bo povedal, ali velja kakšna druga garancija.

### POOBLAŠČEN SERVISNI CENTER

Pooblaščen servisni center blizu vas poiščite na <http://uk.ryobitools.eu/header/service-and-support/service-agents>.

## SK ZÁRUČNÉ PODMIENKY RYOBI®

Na tento výrobok sa okrem všetkých zákonných práv, vyplývajúcich z nákupu, vzťahuje záruka v nasledovnom znení.

- Záručná doba pre spotrebiteľa je 24 mesiacov a začína plynúť odo dňa, kedy bol výrobok zakúpený. Tento dátum musí byť doložený faktúrou alebo iným dokladom o zakúpení. Výrobok je navrhnutý a určený pre spotrebiteľov a ten na súkromné používanie. Preto sa záruka sa neposkytuje v prípade použitia na profesionálne a komerčné účely.
- V prípade elektrického náradia (na striedavý/jednosmerný prúd AC/DC), existuje možnosť predĺženia záručnej doby oproti týmto bodom, uvedenej vyššie, s využitím on-line registrácie na webovej stránke [www.ryobitools.eu](http://www.ryobitools.eu). Označenie na náradí o nároku na predĺženie záručnej doby je zreteľne uvedené v obchodoch a/alebo na obale a je uvedené v dokumentácii k výrobku. Koncový používateľ musí zaregistrovať svoje novozískané náradie on-line do 30 dní odo dňa nákupu. Koncový používateľ sa môže zaregistrovať na predĺženie záruky v krajine svojho bydliska, ak je v on-line registračnom formulári uvedená táto možnosť. Ďalej musia koncoví používatelia ešte dať svoj súhlas k uchovávaniu údajov, ktoré je potrebné zadať on-line a musia súhlasiť s podmienkami. Potvrdenie o prijatí registrácie, ktorý je zasielané e-mailom a originál faktúra, v ktorej je uvedený dátum nákupu, slúžia ako dôkaz o predĺženej záruke.
- Záruka sa vzťahuje na všetky poruchy výrobku v záručnej dobe, spôsobené chybami materiálů alebo spracovania k dátumu nákupu. Táto záruka je obmedzená na opravu a/alebo výmenu a nezahŕňa ďalšie povinnosti, vrátane, okrem iných, náhodné alebo následné škody. Táto záruka je neplatná, ak bol výrobok nesprávne používaný, bol používaný v rozpore s návodom na použitie alebo bol nesprávne zapojený. Táto záruka sa nevzťahuje na:
  - akékoľvek poškodenie výrobku, ktoré bolo spôsobené nesprávnou obsluhou
  - akýkoľvek výrobok, ktorý bol zmenený alebo upravený
  - akýkoľvek výrobok, na ktorom bolo poškodené, upravené alebo odstránené identifikačné označenie (ochranná známka, výrobné číslo)
  - akékoľvek škody, spôsobené nedodržením návodu na obsluhu
  - akýkoľvek výrobok, ktorý neobsahuje označenie CE
  - akýkoľvek výrobok, ktorý sa pokúšal opraviť nekvalifikovaný odborník alebo bol opravovaný bez predchádzajúceho súhlasu zo strany spoločnosti Techtronic Industries.
  - akýkoľvek výrobok, pripojený k nesprávnemu napájaciemu zdroju (ampéry, napätie, frekvencia)
  - akékoľvek poškodenia, spôsobené vonkajšími vplyvmi (chemickými, fyzikálnymi, nárazmi) alebo cudzorodnými látkami
  - bežné opotrebovanie náhradných dielov
  - nevhodné používanie, preťažovanie nástroja
  - používanie neschváleného príslušenstva a dielov
  - príslušenstvo k elektrickému náradia, dodávané spolu s náradím alebo zakúpené oddelene. Takéto vylúčenia sa vzťahujú, okrem iného, na násady skrutkovačov, vrtáky, brusne kotúče, brusný papier a čepele, bočné vodiace lišty
  - Súčiastky (diely a príslušenstvo), ktoré podliehajú prirodzenému opotrebovaniu, okrem iného súpravy na servis a údržbu, uhličky, ložiská, skľučovadlá, SDS vrtáky a príslušenstvo, príloh alebo prijímanie, napájací kábel, pomocná rukoväť, prepravná skriňa, brusná doska, pracovné vrecko, výfuková trubica, pistené podložky, kotlíky a pružiny na rázový uťahovač atď.
- Na opravu musí byť výrobok odoslaný alebo doručený do autorizovaného servisného strediska RYOBI, uvedeného pre každú krajinu v nasledovnom zozname adries servisných stredísk. V niektorých krajinách miestny zástupca RYOBI preberá na seba záväzok zaslať tovar do servisnej organizácie RYOBI. Pri odoslaní výrobku do servisného strediska RYOBI je potrebné výrobok bezpečne zabaliť bez akéhokoľvek nebezpečného obsahu, ako je benzín, s vyznačením adresy odosielateľa, s krátkym popisom poruchy.
- Oprava/výmena je vrámci tejto záruky bezplatná. Neznamená to predĺženie záruky alebo spustenie novej záručnej doby. Vymenené diely alebo nástroje sa stávajú našim vlastníctvom. V niektorých krajinách náklady na odoslanie alebo vrátenie musí zaplatiť odosielateľ. Vaše zákonné práva, vyplývajúce z nákupu náradia, zostávajú nedotknuté.
- Táto záruka platí v Európskej únii, Švajčiarsku, Islande, Nórsku, Lichtenštajnsku, Turesku a Rusku. Ak sa nachádzate mimo týchto oblastí, obráťte sa na autorizovaného predajcu RYOBI na určenie, či sa dá uplatniť iná záruka.

### AUTORIZOVANÉ SERVISNÉ CENTRUM

Ak chcete nájsť najbližšie autorizované servisné centrum, navštívte stránku <http://uk.ryobitools.eu/header/service-and-support/service-agents>.

## **BG** УСЛОВИЯ ЗА ВАЛИДНОСТ НА ГАРАНЦИЯТА НА RYOBI®

В допълнение към законоустановените права, произтичащи от покупката, този продукт е обхванат от гаранцията, както е изложено по-долу.

- Гаранционният срок е 24 месеца за клиенти и започва да тече от деня на закупуване на продукта. Тази дата трябва да се докаже с фактура или друго доказателство за покупка. Продуктът е изработен и предназначен само за потребителска и лична употреба. Следователно не се дава гаранция в случай на използване от професионалисти или с търговска цел.
- Съществува възможност за удължаване на гаранционния срок за част от диалогана на гаранцията на електрически инструменти (AC/DC) след изтичането на описания тук чрез регистрация на уеб сайта [www.ryobitools.eu](http://www.ryobitools.eu). В магазините и/или на опаковката или вътре в документацията на продукта е показано ясно дали инструментът отговаря на условията за такова удължаване на гаранционния срок. Крайният потребител трябва да регистрира своите новопридобити инструменти онлайн в рамките на 30 дни от датата на покупка. Крайният потребител може да се регистрира за удължена гаранция в държавата си на пребиваване, ако е посочена във формуляра за онлайн регистрация като място, където тази опция е валидна. Освен това крайните потребители трябва да дадат съгласието си за съхранение на данните, които са задължителни за ползване онлайн, и трябва да приемат общите условия. Полученото потвърждение за регистрация, изпратено по електронна поща, и оригиналната фактура, показваща датата на покупка, ще служат като доказателство за удължената гаранция.
- Гаранцията покрива всички дефекти на продукта по време на гаранционния срок, които се дължат на проблеми в изработката или материалите към момента на покупката. Гаранцията е ограничена до ремонт и/или замяна и не включва други задължения, включително, но не само, случайни или косвени щети. Гаранцията е невалидна, ако продуктът е използван неправилно или в противоречие с ръководството с инструкции, както и ако е свързан неправилно. Тази гаранция не важи за:
  - щети по продукта в резултат на неправилна профилатика
  - продукти, които са били изменени или модифицирани
  - продукт, при който оригиналните маркировки за идентификация (търговска марка, серийен номер) са изтрети, променени или премахнати
  - повреда, причинена от неспазване на ръководството с инструкции
  - продукт без CE маркировка
  - продукт, за който е направен опит за ремонт от неквалифициран специалист или без предварително разрешение от Techtronic Industries.
  - продукт, свързан към неподходящо електрохранване (ампераж, волтаж, честота)
  - щети, причинени от външни влияния (химични, физични, удари) или чужди вещества
  - нормално износване на резервни част
  - неподходяща употреба, претоварване на инструмента
  - използване на неободбени аксесоари или части
  - Аксесоарите за електрически инструмент са предоставени с инструмента или се кулват отделно. Тези изключения включват, но не само, накрайници за отвертка, свердела, абразивни дискове, шкурка и остриета, страничен водач
  - Компоненти (части и аксесоари), подложени на естествено износване, включително, но не само, комплекти за обслужване и поддръжка, карбонови четки, лагери, патронник, приставка със средло SDS или приемно устройство, захванващ кабел, спомогателна ръкохватка, кутия за транспортиране, шлифовъчна пластина, торба за прах, тръба за отвеждане на прах, филцови шабви, цифрове и пружини за винтоверти и др.
- За обслужване продуктът трябва да се изпрати или занесе на авторизиран сервиз на RYOBI, посочен за всяка държава в следния списък с адреси на сервиси. В някои държави местният търговец на RYOBI поема отговорността да изпрати продукта до сервизен център на RYOBI. При изпращане на продукт до сервиз на RYOBI той трябва да е опакован безопасно без опасо съдържание, напр. бензин, да е маркиран с адреса на подателя и придружен от кратко описание на повредата.
- Ремонтът/замяната по силата на тази гаранция са безплатни. Те не водят до удължаване или подновяване на гаранционния срок. Сменените части или инструменти стават наша собственост. В някои държави таксите за доставка или изпращане трябва да се платят от подателя. Законоустановените ни права, произтичащи от закупуването на инструмента, остават незасегнати.
- Тази гаранция е валидна в Европейската общност, Швейцария, Исландия, Норвегия, Лихтенщайн, Турция и Русия. Извън тези области се свържете с упълномощения търговец на RYOBI, за да се установи дали е приложима друга гаранция.

### УПЪЛНОМОЩЕН СЕРВИЗЕН ЦЕНТЪР

За да намерите упълномощен сервизен център близо до вас, посетете <http://uk.ryobitools.eu/header/service-and-support/service-agents>.

## **UK** ГАРАНТИЙНИ УМОВИ ДЛЯ RYOBI®

Окрім загалом установених законом прав, що стосуються покупки, цей пристрій покривається гарантією, що зазначено нижче.

- Гарантійний період для споживачів складає 24 місяці і починається з моменту придбання цього пристрою. Ця дата повинна бути задокументована у гарантійному талоні або чеку. Цей пристрій був розроблений і призначений тільки для споживчого та приватного використання. У разі професійного або комерційного використання цього пристрою, він втрачає гарантію.
- Існує можливість подовжити гарантійний період для частини лінійки електричних інструментів (перемінного/постійного струму), понад період описаний вище за допомогою реєстрації на сайті [www.ryobitools.eu](http://www.ryobitools.eu). Пристрої, які мають право на подовження гарантійного періоду, мають чіткі позначки щодо цього в магазинах і / або на упаковок / та документації до пристрою. Кінцевий користувач повинен зареєструвати його/її новопридбаний пристрій онлайн протягом 30 днів з дати покупки. Кінцевий користувач може зареєструватися для подовження гарантійного періоду в своїй країні постійного перебування, якщо вона є доступною у відповідній опції онлайн форми реєстрації. Крім того, кінцеві користувачі повинні дати свою згоду на зберігання даних, які необхідні для введення онлайн, а також вони повинні прийняти правила та умови. Отримання підтвердження реєстрації, яке відправляється на адресу електронної пошти, та оригінал гарантійного талона і зазначеною датою покупки буде служити доказом подовженої гарантії.
- Гарантія поширюється на всі дефекти пристрою протягом гарантійного терміну щодо недотримання стандартів виробництва або матеріалів на дату придбання. Гарантія обмежується ремонтом та/або заміною, та не включає в себе будь-яких інших зобов'язань, в тому числі, але необмежена у разі випадкових та подальших пошкоджень. Гарантія не діє, якщо пристрій використовувався ненадлежащим чином, всупереч інструкції з експлуатації або був неправильно підключений до мережі. Дана гарантія не поширюється на:
  - пристрої, що були пошкоджені у результаті неправильного технічного обслуговування;
  - пристрої, що були видозміннені або модифіковані;
  - пристрої, оригінальні ідентифікаційні (товарний знак, серійний номер) маркування яких було пошкоджене, змінене або видалено;
  - будь-які пошкодження, заподіяні недотриманням інструкції з експлуатації;
  - пристрої, що не мають маркування CE;
  - пристрої, що були відремонтовані некваліфікованим фахівцем або за відсутності попереднього дозволу від Techtronic Industries;
  - пристрої, підключені до невідповідного джерела живлення (сила току, напруги, частота);
  - будь-які пошкодження спричинені зовнішнім впливом (хімічним, фізичним, стрибком напруги) або сторонніми речовинами;
  - нормальну амортизацію запасних частин;
  - невідповідне використання, перевантаження пристрою;
  - використання не підтверджених запасних частин або аксесуарів;
  - приладдя до електронного інструменту, що постачається разом з пристроєм або купуються окремо. Такі винятки враховують але не є обмеженнями для наконечників викруток, свердел, абразивних дисків, наждачного паперу та лез, бічних напрямних – компоненти(частини та приладдя) з урахуванням нормального зношування, враховуючи, але без обмеження на комплекти профілатики та технічного обслуговування, вузькі штилки, підшипники, патрони, кріплення або прийом SDS свердел, кабелі живлення, додаткові рукоятки, чохла для транспортування, шліфувальні пластини, мішки для збору пилу, трубки виплопу, фетрові кльця, штирі і пружини гайковерту і т.д.
- Для обслуговування, пристрій має бути відправлений або поданий до одного з авторизованих сервісних центрів RYOBI, які перелічені для кожної країни у наступному переліку адрес сервісних центрів. У деяких країнах місцевий дилер RYOBI зобов'язується відправити пристрій до сервісного центру RYOBI. При відправленні пристрою до сервісного центру RYOBI, пристрій має бути надійно упакуваний без будь-якого небезпечного вмісту, наприклад бензину, з позначеною адресою відправника та супроводжуватися коротким описом несправності.
- Ремонт / заміна відповідно до цієї гарантії здійснюється безкоштовно. Це не є основою для подовження або початку нового гарантійного періоду. Замінені частини або прилади переходять до власності компанії. У деяких країнах вартість доставки або поштової витрати повинні бути сплачені відправником. Загально встановлені права покупця на пристрій залишаються незмінними.
- Ця гарантія діє в Європейському Союзі, Швейцарії, Ісландії, Норвегії, Лихтенштейні, Туреччині та Росії. За межами цих зон, будь ласка, зверніться до офіційного дилера RYOBI, щоб визначити, чи застосовується інша гарантія.

### АВТОРИЗОВАНІ СЕРВІСНІ ЦЕНТРИ

Для отримання оновленого переліка авторизованих сервісних центрів, відвідайте <http://uk.ryobitools.eu/header/service-and-support/service-agents>.

## TR RYOBI® GARANTİ UYGULAMA KOŞULLARI

Alımdan kaynaklanan yasal haklara ek olarak, ürün aşağıda belirtilen garanti kapsamındadır.

1. Tüketiciler için 24 ay olan garanti süresi, ürünün satın alındığı tarihte başlar. Bu tarihin bir fatura ya da alım kanıtıyla belgelenmesi gerekir. Ürün sadece tüketim ve özel kullanım için geliştirilmiş ve adanmıştır. Bu nedenle, profesyonel ya da ticari kullanımı halinde garanti kapsamı sağlanmaz.
2. Elektrikli el aletlerinin bir bölümü (AC/DC) için [www.ryobitools.eu](http://www.ryobitools.eu) sayfasındaki kayıt işlemini kullanarak garantinin belirtilen süresini ötesine çıkarma imkanı mevcuttur. Aletlerin garanti süresinin uzatılmasına uygun olup olmadığı mağazalarda ve / veya ambalajda açıkça belirtilmiş olup, ürün dokümantasyonunda gösterilir. Son kullanıcının yeni aldığı aletleri satın alma tarihini izleyen 30 gün içinde kaydetmesi gerekir. Son kullanıcı ikamet ettiği ülkede, bu seçeneğin geçerli olduğu çevrimiçi kayıt formunda belirtilmişse, uzatılmış garanti süresi için kayıt yapılabilir. Dahası, son kullanıcıların çevrimiçi giriş için gerekli verilerin kaydedilmesine izin vermek ve hüküm ve koşulları kabul etmelidir. E-posta ile gönderilen kayıt teyit makbuzu ve alım tarihini gösteren orijinal fatura uzatılmış garantinin kanıtı olarak değerlendirilir.
3. Garanti, ürünün alım tarihindeki işçilik ve malzeme kusurları nedeniyle garanti süresi içinde oluşacak bütün arızaları kapsar. Bu garanti onarım ve değiştirilmeyle sınırlı olup, tasadufi ya da dolaylı hasarlar da dahil, ancak bunlarla kısıtlı olmayan başka hiçbir tahahhüdü kapsamaz. Garanti, ürünün kötü, kullanici kılavuzuna aykırı kullanımıyla ya da yanlış bağlanmış olması halinde geçerli değildir. Bu garanti aşağıdakileri kapsamaz:
  - üründe, yanlış bakımдан kaynaklanan herhangi bir hasar
  - değiştirilmiş ya da modifiye edilmiş herhangi bir ürün
  - orijinal tanıtmış işaretleri (ticari marka, seri numarası) silinmiş, değiştirilmiş ya da kaldırılmış herhangi bir ürün
  - kullanma kılavuzuna uymamaktan kaynaklanmış herhangi bir hasar
  - herhangi bir AT dışı ürün
  - kalifiye olmamış personel tarafından ya da önceden Techtronic Industries onayı alınmadan onarılmış herhangi bir ürün.
  - uygunsuz güç kaynağına (amper, voltaj, frekans) bağlanmış herhangi bir ürün
  - harici etkenlerden (kimyasal, fiziksel, darbe) veya yabancı cisimlerden kaynaklanan her türlü hasar
  - normal aşınır ve yıpranır aksam
  - uygunsuz kullanım, aletin aşırı yüklenmesi
  - onaysız aksesuar veya parça kullanımı
  - Aletle birlikte sağlanmış ya da ayrıca alınmış elektrikli alet aksesuarları. Tornavida uçları, matkap uçları, aşındırıcı diskler, zımpara kağıdı ve bıçakları, yanıl kılavuz gibi aksamı içeren, ancak bunlarla sınırlı olmayan eklentiler
  - Servis ve Bakım kitiyle, kömür fırçalar, yataklar, kovanlar, SDS matkap ucu bağlantısı ya da yuvaları, güç kablosu, yedek tutamak, nakliye ve taşıma kutusu, kuşlama plakası, toz torbası, toz egzoz borusu, keçe rondelalar, Darbeli Tornavida Pim ve yayları vb. gibi parçaları kapsayan, ancak bunlarla sınırlı olmayan, aşınma ve yıpranmaya tabi bileşenler (aksam ve aksesuarlar).
4. Ürünün servis için her ülkede aşağıdaki servis istasyonları adres listesinde yer alan yetkili bir RYOBI servis istasyonuna gönderilmesi ya götürülmesi gereklidir. Bazı ülkelerde, yerel RYOBI distribütörünüz ürünü RYOBI servis tesisine göndermeyi üstlenir. Bir ürün bir RYOBI servis istasyonuna gönderilirken, ürünün güvenli bir biçimde ambalajlanması, benzin gibi tehlikeli maddeler içermemesi, gönderinen adresini taşıması ve anızın kısa bir açıklamasını içermesi gerekir.
5. Bu garanti kapsamında yapılacak onarım / değişiklik ücretsizdir. Garanti süresinin uzatılması ya da yeniden başlatılması anlamına gelmez. Değiştirilmiş parçalar veya aletler bize ait olur. Bazı ülkelerde teslimat ücretleri veya posta giderlerini gönderici tarafından ödenmesi gerekir. Alımdan kaynaklanan yasal haklarınıza etkilenmez
6. Bu Garanti Avrupa Topluçuluğu, İsviçre, İzlanda, Norveç, Liechtenstein, Türkiye ve Rusya'da geçerlidir. Bu alanların dışında, başka bir garantinin geçerli olup olmadığını belirlemek için lütfen yetkili RYOBI distribütörünüzle irtibata geçin.

### YETKİLİ SERVİS MERKEZİ

En yakın yetkili servis merkezini öğrenmek için <http://uk.ryobitools.eu/header/service-and-support/service-agents> sitesine girin.

## EL ΟΡΟΙ ΕΦΑΡΜΟΓΗΣ ΤΩΝ ΠΡΟΫΠΟΘΕΣΕΩΝ ΕΓΓΥΗΣΗΣ ΤΗΣ RYOBI®

Εκτός από τα νόμιμα δικαιώματα, τα οποία προκύπτουν από την αγορά, το προϊόν καλύπτεται από εγγύηση, λεπτομέρειες της οποίας ακολουθούν στη συνέχεια.

1. Η διάρκεια της εγγύησης για τους καταναλωτές είναι 24 μήνες και αρχίζει από την ημερομηνία αγοράς. Η ημερομηνία θα πρέπει να αναγράφεται στην απόδειξη ή σε άλλο αποδεικτικό αγοράς. Το προϊόν έχει σχεδιαστεί και προορίζεται αποκλειστικά για οικιακή χρήση από καταναλωτές. Συνεπώς, δεν παρέχεται εγγύηση σε περίπτωση επαγγελματικής ή εμπορικής χρήσης.
2. Υπάρχει η δυνατότητα επέκτασης της εγγύησης για ορισμένα ηλεκτρικά εργαλεία (AC/DC), πέραν του παραπάνω αναφερόμενου χρονικού διαστήματος, μέσω εγγραφής στο δικτυακό τόπο [www.ryobitools.eu](http://www.ryobitools.eu). Η επλεξιμότητα των εργαλείων με δυνατότητα επέκτασης της περιόδου εγγύησης αναγράφεται ρητά στα καταστήματα και/ή επάνω στη συσκευασία, ενώ περιέχεται στην τεκμηρίωση του προϊόντος. Το τελικό χρήστη θα πρέπει να καταχωρήσει τα προσωπικά αποκτηθέντα εργαλεία online, εντός 30 ημερών από την ημερομηνία αγοράς. Ο τελικός χρήστης μπορεί να εγγραφεί για την επέκταση εγγύησης επί χώρα κατοικίας, εφόσον αυτή περιλαμβάνεται στο online έντυπο εγγραφής, εάν υπάρχει η δυνατότητα επέκτασης. Επιπλέον, οι τελικοί χρήστες θα πρέπει να παρέχουν τη συγκατάθεσή τους για την αποθήκευση των στοιχείων τους, τα οποία οφείλουν να καταχωρούνται online, όπως και να αποδεχθούν τους όρους και τις προϋποθέσεις. Η απόδειξη επιβεβαίωσης της εγγραφής, η οποία αποστέλλεται μέσω email, και η πρωτότυπη απόδειξη αγοράς, η οποία αναφέρεται στην ημερομηνία αγοράς, αποτελούν αποδεικτικά της παρατεταμένης εγγύησης.
3. Η εγγύηση καλύπτει όλα τα ελαττώματα του προϊόντος, κατά τη διάρκεια της περιόδου εγγύησης, λόγω κατασκευαστικών ελαττωμάτων ή αστοχίας υλικού κατά την ημερομηνία αγοράς. Η εγγύηση περιορίζεται στην επισκευή και/ή την αντικατάσταση και δεν περιλαμβάνει καμία άλλη υποχρέωση, συμπεριλαμβανομένων, ενδεικτικά, συμπληρωματικών ή παρεπόμενων ζημιών. Η εγγύηση δεν ισχύει εφόσον, έχει σημειωθεί κακομεταχείριση του προϊόντος, δεν έχουν τηρηθεί οι οδηγίες του εγχειριδίου οδηγιών ή το προϊόν έχει συνδεθεί λανθασμένα. Η εγγύηση δεν ισχύει για:
  - οποιαδήποτε ζημία στο προϊόν, η οποία είναι αποτέλεσμα κακής συντήρησης
  - οποιοδήποτε προϊόν, το οποίο έχει αλλοιωθεί ή τροποποιηθεί
  - οποιοδήποτε προϊόν, στο οποίο έχει αλλοιωθεί, τροποποιηθεί ή αφαιρεθεί το γνήσιο αναγνωριστικό (σήμα κατατεθέν, σειριακός αριθμός)
  - οποιαδήποτε ζημία προκλήθει λόγω μη τήρησης του εγχειριδίου οδηγιών
  - οποιοδήποτε προϊόν χωρίς σήμανση CE
  - οποιοδήποτε προϊόν, στο οποίο έχει γίνει προσπάθεια επισκευής από μη καταρτισμένο επαγγελματία ή χωρίς την προηγούμενη έγκριση της Techtronic Industries.
  - οποιοδήποτε προϊόν, το οποίο έχει συνδεθεί σε ακατάλληλη παροχή ρεύματος (αμπερ, ισχύ, συχνότητα)
  - οποιαδήποτε ζημία έχει προκληθεί από εξωτερικές επιδράσεις (χημικές, φυσικές, κλιματιομετρικές) ή ξένες ουσίες
  - φυσιολογική φθορά και ρήξη ανταλλακτικών
  - ακατάλληλη χρήση, υπερφόρτωση του εργαλείου
  - χρήση μη ενδεδειγμένων εξαρτημάτων ή ανταλλακτικών
  - Εξαρτήματα ηλεκτρικών εργαλείων που παρασχεθήκαν με το εργαλείο ή αγοράστηκαν ξεχωριστά. Τέτοιες εξαρτηματικές περιλαμβανόμενες, ενδεικτικά, μύτες κατασθίδιου, τρυπάνια, δίσκοις λείανσης, γυαλόχαρτο και λειπίδες, πλευρικό οδηγό
  - Εξαρτήματα (ανταλλακτικά και αξεσουάρ) που υποκείμενα σε φυσική φθορά και θραύση, συμπεριλαμβανομένων, ενδεικτικά, σετ επισκευής & συντήρησης, ψηκτρών άνθρωρα, εφεδράνων, τοακ, εξαρτημάτων ή υποδοχών τρυπάνιων SDS, καλωδίων ισχύος, βοηθητικής λαβής, βαλίτσας μεταφοράς, βάσης τριβείου, σακούλας συλλογής σκόνης, σωλήνα εξαναγκαστικής σκόνης, ροδελών τόδους, μυτών και ελατηρίων κροστικού κλειδιού κοχλίων, κτλ.
4. Το προϊόν θα πρέπει να αποσταλεί ή να παραδοθεί για επισκευή ή συντήρηση σε εξουσιοδοτημένο σημείο σέρβις της RYOBI που περιλαμβάνεται στον ακόλουθο κατάλογο διευθύνσεων για κάθε χώρα. Σε ορισμένες χώρες, το τοπικό σημείο πώλησης της RYOBI αναλαμβάνει την αποστολή του προϊόντος στο κεντρικό σέρβις της RYOBI. Κατά την αποστολή ενός προϊόντος σε σημείο σέρβις της RYOBI, αυτό θα πρέπει να είναι ασφαλώς συσκευασμένο, χωρίς επικίνδυνα περιεχόμενο, όπως πετρέλαιο, να φέρει τη διευθύνση του αποστολέα και να συνοδεύεται από σύντομη περιγραφή της βλάβης.
5. Η επιδιόρθωση / αντικατάσταση υπό την παρούσα εγγύηση παρέχεται δωρεάν. Δε συνιστά παράταση της περιόδου εγγύησης ή εκκίνηση νέας περιόδου εγγύησης. Τα μέρη που αντικαθίστανται περιέχονται στην κυριότητα μας. Σε ορισμένες χώρες, τα ενδεχόμενα έξοδα παράδοσης ή μεταφοράς βεβαιώνουν τον αποστολέα. Τα νόμιμα δικαιώματά σας, τα οποία απορρέουν από την αγορά του εργαλείου, δεν θίγονται.
6. Η παρούσα εγγύηση ισχύει στην Ευρωπαϊκή Κοινότητα, την Ελβετία, την Ισπανία, τη Νορβηγία, το Λιχτενστάιν, την Τουρκία και την Ρωσία. Εκτός των παραπάνω περιοχών, σας παρακαλούμε να επικοινωνήσετε με εξουσιοδοτημένο κατάστημα πώλησης της RYOBI, προκειμένου να διαπιστωθεί εάν ισχύει κάποια άλλη εγγύηση.

### ΕΞΟΥΣΙΟΔΟΤΗΜΕΝΟ ΚΕΝΤΡΟ ΣΕΡΒΙΣ

Για να εντοπίσετε ένα εξουσιοδοτημένο κέντρο σέρβις στην περιοχή σας, επισκεφτείτε τη σελίδα <http://uk.ryobitools.eu/header/service-and-support/service-agents>.

**EN** declaration of conformity

Techtronic Industries GmbH  
Max-Eyth-Straße 10, 71364 Winnenden, Germany

Herewith we declare that the product

Planer  
Brand: RYOBI  
Model number: R18PL  
Serial number range: 46231002000001 - 46231002999999

is in conformity with the following European Directives and harmonised standards  
2006/42/EC, 2014/30/EU, 2011/65/EU  
EN 55014-1:2017, EN 55014-2:2015, EN 62841-1:2015,  
EN 62841-2-14:2015

RoHS documentation is compiled according to EN 50581:2012

Todd Chipner  
Sr. Director, Regulatory & Safety  
Winnenden, Oct. 30, 2018

Authorised to compile the technical file:

Alexander Krug, Managing Director  
Techtronic Industries GmbH  
Max-Eyth-Straße 10, 71364 Winnenden, Germany

CE

**FR** DÉCLARATION DE CONFORMITÉ

Techtronic Industries GmbH  
Max-Eyth-Straße 10, 71364 Winnenden, Germany

Déclarons par la présente que le produit

Raboteuse  
Marque: RYOBI  
Numéro de modèle: R18PL  
Étendue des numéros de série: 46231002000001 - 46231002999999

est conforme aux Directives Européennes et Normes Harmonisées suivantes  
2006/42/EC, 2014/30/EU, 2011/65/EU  
EN 55014-1:2017, EN 55014-2:2015, EN 62841-1:2015,  
EN 62841-2-14:2015

La documentation RoHS a été dressée d'après EN 50581:2012

Todd Chipner  
Directeur principal, Réglementation & Sécurité  
Winnenden, Oct. 30, 2018

Autorisé à rédiger le dossier technique:

Alexander Krug, Directeur Général  
Techtronic Industries GmbH  
Max-Eyth-Straße 10, 71364 Winnenden, Germany

CE

**DE** KONFORMITÄTSERKLÄRUNG

Techtronic Industries GmbH  
Max-Eyth-Straße 10, 71364 Winnenden, Germany

Hiermit erklären wir, dass die Produkte

Hobel  
Marke: RYOBI  
Modellnummer: R18PL  
Seriennummernbereich: 46231002000001 - 46231002999999

den folgenden europäischen Richtlinien und harmonisierten Normen entspricht  
2006/42/EC, 2014/30/EU, 2011/65/EU  
EN 55014-1:2017, EN 55014-2:2015, EN 62841-1:2015,  
EN 62841-2-14:2015

RoHS Dokumentation ist gemäß EN 50581:2012 zusammengestellt

Todd Chipner  
Sr. Director, Vorschriften und Sicherheit  
Winnenden, Oct. 30, 2018

Autorisiert die technische Datei zu erstellen:

Alexander Krug, Geschäftsführer  
Techtronic Industries GmbH  
Max-Eyth-Straße 10, 71364 Winnenden, Germany

CE

**ES** DECLARACIÓN DE CONFORMIDAD

Techtronic Industries GmbH  
Max-Eyth-Straße 10, 71364 Winnenden, Germany

Por la presente declaramos que los productos

Cepilladora  
Marca: RYOBI  
Número de modelo: R18PL  
Intervalo del número de serie: 46231002000001 - 46231002999999

se encuentra en conformidad con las siguientes Directivas Europeas y normas armonizadas  
2006/42/EC, 2014/30/EU, 2011/65/EU  
EN 55014-1:2017, EN 55014-2:2015, EN 62841-1:2015,  
EN 62841-2-14:2015

Documentación sobre restricción de sustancias peligrosas (RoHS) recopilada según la norma EN 50581:2012

Todd Chipner  
Director principal, Director General de Normativa y Seguridad  
Winnenden, Oct. 30, 2018

Autorizado para elaborar la ficha técnica:

Alexander Krug, Administrador Ejecutivo  
Techtronic Industries GmbH  
Max-Eyth-Straße 10, 71364 Winnenden, Germany

CE

**IT** DICHIARAZIONE DI CONFORMITÀ

Techtronic Industries GmbH  
Max-Eyth-Straße 10, 71364 Winnenden, Germany

Si dichiara con la presente che il prodotto

Piaila  
Marca: RYOBI  
Numero modello: R18PL  
Gamma numero seriale: 46231002000001 - 46231002999999

è conforme alle seguenti Direttive Europee e ai seguenti standard armonizzati  
2006/42/EC, 2014/30/EU, 2011/65/EU  
EN 55014-1:2017, EN 55014-2:2015, EN 62841-1:2015,  
EN 62841-2-14:2015

La documentazione RoHS è stata compilata come indicato dalle norme EN 50581:2012

Todd Chipner  
Sig. Direttore, Dipartimento Regolazioni & Sicurezza  
Winnenden, Oct. 30, 2018

Autorizzato per compilare il file tecnico:

Alexander Krug, Direttore Amministrativo  
Techtronic Industries GmbH  
Max-Eyth-Straße 10, 71364 Winnenden, Germany

CE

**NL** CONFORMITEITSVERKLARING

Techtronic Industries GmbH  
Max-Eyth-Straße 10, 71364 Winnenden, Germany

Hierbij verklaren wij dat het product

Raboteuse  
Merk: RYOBI  
Modelnummer: R18PL  
Seriennummernbereik: 46231002000001 - 46231002999999

is in overeenstemming met de volgende Europese Richtlijnen en geharmoniseerde normen

2006/42/EC, 2014/30/EU, 2011/65/EU  
EN 55014-1:2017, EN 55014-2:2015, EN 62841-1:2015,  
EN 62841-2-14:2015

RoHS-documentatie is samengesteld in overeenstemming met EN 50581:2012

Todd Chipner  
Dhr. Directeur, Regelgeving en veiligheid  
Winnenden, Oct. 30, 2018

Afgevaardigde voor het samenstellen van de technische fiche:

Alexander Krug, Directeur  
Techtronic Industries GmbH  
Max-Eyth-Straße 10, 71364 Winnenden, Germany

CE

**PT** DECLARAÇÃO DE CONFORMIDADE

Techtronic Industries GmbH  
Max-Eyth-Straße 10, 71364 Winnenden, Germany

*Pelo presente declaramos que os produtos*

Plaina  
Marca: RYOBI  
Número do modelo: R18PL  
Intervalo do número de série: 46231002000001 - 46231002999999

*se encontra em conformidade com as seguintes Directivas Europeias e normas harmonizadas*

2006/42/EC, 2014/30/EU, 2011/65/EU  
EN 55014-1:2017, EN 55014-2:2015, EN 62841-1:2015,  
EN 62841-2-14:2015

Documentação sobre restrição de substâncias perigosas (RoHS) compilada segundo a norma EN 50581:2012

Todd Chipner  
Sr. Diretor, Regulamentação & Segurança  
Winnenden, Oct. 30, 2018

CE

Autorizado para compilar o ficheiro técnico:  
Alexander Krug, Administrador Executivo  
Techtronic Industries GmbH  
Max-Eyth-Straße 10, 71364 Winnenden, Germany

**DA** OVERENSSTEMMELSESERKLÆRING

Techtronic Industries GmbH  
Max-Eyth-Straße 10, 71364 Winnenden, Germany

*Vi erklærer hermed, at produktet*

Høvelmaskine  
Brand: RYOBI  
Modelnummer: R18PL  
Serienummerområde: 46231002000001 - 46231002999999

*er i overensstemmelse med følgende EU-direktiver og harmoniserede standarder*

2006/42/EC, 2014/30/EU, 2011/65/EU  
EN 55014-1:2017, EN 55014-2:2015, EN 62841-1:2015,  
EN 62841-2-14:2015

RoHS-dokumentationen er udarbejdet i henhold til EN 50581:2012

Todd Chipner  
Hr. Direktør, regler og sikkerhed  
Winnenden, Oct. 30, 2018

CE

Bemyndiget til at udarbejde det tekniske kartotek:  
Alexander Krug, Administrerende Direktør  
Techtronic Industries GmbH  
Max-Eyth-Straße 10, 71364 Winnenden, Germany

**SV** KONFORMITETSDEKLARATION

Techtronic Industries GmbH  
Max-Eyth-Straße 10, 71364 Winnenden, Germany

*Härmed deklarerar vi att produkterna*

Huvel  
Märke: RYOBI  
Modellnummer: R18PL  
Serienummerintervall: 46231002000001 - 46231002999999

*är i enlighet med följande EU-direktiv och harmoniserade standarder*

2006/42/EC, 2014/30/EU, 2011/65/EU  
EN 55014-1:2017, EN 55014-2:2015, EN 62841-1:2015,  
EN 62841-2-14:2015

RoHS-dokumentation sammanställd enligt EN 50581:2012

Todd Chipner  
Överordnad direktör, regelverk och säkerhet  
Winnenden, Oct. 30, 2018

CE

Godkänd att sammanställa den tekniska filen:  
Alexander Krug, VD  
Techtronic Industries GmbH  
Max-Eyth-Straße 10, 71364 Winnenden, Germany

**FI** SÄÄNNÖSTEN NOUDATTAMINEN

Techtronic Industries GmbH  
Max-Eyth-Straße 10, 71364 Winnenden, Germany

*Ilmoitamme täten, että tuotteet*

Höylä  
Tuotemerkki: RYOBI  
Mallinnumero: R18PL  
Sarjanumeroalue: 46231002000001 - 46231002999999

*noudattaa seuraavia EU-direktiivejä ja harmonoituja standardeja*

2006/42/EC, 2014/30/EU, 2011/65/EU  
EN 55014-1:2017, EN 55014-2:2015, EN 62841-1:2015,  
EN 62841-2-14:2015

RoHS-dokumentaatio on koottu standardin EN 50581:2012 mukaisesti

Todd Chipner  
Sr. Director, säästöstenmukaisuus ja turvallisuus  
Winnenden, Oct. 30, 2018

CE

Valtuutetut kokoamaan tekninen tiedosto:  
Alexander Krug, Toimitusjohtaja  
Techtronic Industries GmbH  
Max-Eyth-Straße 10, 71364 Winnenden, Germany

**NO** Samsvarserklæring

Techtronic Industries GmbH  
Max-Eyth-Straße 10, 71364 Winnenden, Germany

*Herved erklærer vi at produktet*

Høvel  
Merke: RYOBI  
Modellnummer: R18PL  
Serienummerserie: 46231002000001 - 46231002999999

*er i samsvar med følgende europeiske direktiver og harmoniserte standarder*

2006/42/EC, 2014/30/EU, 2011/65/EU  
EN 55014-1:2017, EN 55014-2:2015, EN 62841-1:2015,  
EN 62841-2-14:2015

RoHS dokumentasjonen er skrevet i samsvar med EN 50581:2012

Todd Chipner  
Sr. direktør, forskrifter og sikkerhet  
Winnenden, Oct. 30, 2018

CE

Autorisert til å sette sammen den tekniske filen:  
Alexander Krug, Administrerende Direktør  
Techtronic Industries GmbH  
Max-Eyth-Straße 10, 71364 Winnenden, Germany

**RU** ЗАЯВЛЕНИЕ О СООТВЕТСТВИИ ТРЕБОВАНИЯМ

Techtronic Industries GmbH  
Max-Eyth-Straße 10, 71364 Winnenden, Germany

*Настоящим мы заявляем, что данный продукт*

Строгальная машина  
Марка: RYOBI  
Номер модели: R18PL  
Диапазон заводских номеров: 46231002000001 - 46231002999999

*соответствует требованиям следующих Директив ЕС и согласованных стандартов*

2006/42/EC, 2014/30/EU, 2011/65/EU  
EN 55014-1:2017, EN 55014-2:2015, EN 62841-1:2015,  
EN 62841-2-14:2015

Документация RoHS соответствует стандарту EN 50581:2012

Todd Chipner  
Г-н Директор, технике безопасности и стандартам  
Winnenden, Oct. 30, 2018

CE

Лицо, ответственное за подготовку технической документации:  
Alexander Krug, Директор  
Techtronic Industries GmbH  
Max-Eyth-Straße 10, 71364 Winnenden, Germany

**PL) DEKLARACJA ZGODNOŚCI**

Techtronic Industries GmbH  
Max-Eyth-Straße 10, 71364 Winnenden, Germany

*Niniejszym deklarujemy, że produkty*

Strug  
Marka: RYOBI  
Numer modelu: R18PL  
Zakres numerów seryjnych: 46231002000001 - 46231002999999

*jest zgodny z następującymi dyrektywami europejskimi i zharmonizowanymi normami*  
2006/42/EC, 2014/30/EU, 2011/65/EU  
EN 55014-1:2017, EN 55014-2:2015, EN 62841-1:2015,  
EN 62841-2-14:2015

Dokumentacja RoHS została opracowana zgodnie z normą EN 50581:2012

Todd Chipner  
Starszy dyrektor ds. zgodności prawnej i bezpieczeństwa  
Winnenden, Oct. 30, 2018



Osoba upoważniona do sporządzenia dokumentu technicznego:  
Alexander Krug, Dyrektor Zarządzający  
Techtronic Industries GmbH  
Max-Eyth-Straße 10, 71364 Winnenden, Germany

**RO) DECLARAȚIE DE CONFORMITATE**

Techtronic Industries GmbH  
Max-Eyth-Straße 10, 71364 Winnenden, Germany

*Prin prezenta, declarăm că produsele*

Mașină de degrosat  
Marka: RYOBI  
Număr serie: R18PL  
Gamă număr serie: 46231002000001 - 46231002999999

*este în conformitate cu următoarele Directive Europene și standarde armonizate*  
2006/42/EC, 2014/30/EU, 2011/65/EU  
EN 55014-1:2017, EN 55014-2:2015, EN 62841-1:2015,  
EN 62841-2-14:2015

Documentația RoHS este întocmită în conformitate cu EN 50581:2012

Todd Chipner  
Director Senior, reglementare & siguranță  
Winnenden, Oct. 30, 2018



Autorizat să completeze fișa tehnică:  
Alexander Krug, Director General  
Techtronic Industries GmbH  
Max-Eyth-Straße 10, 71364 Winnenden, Germany

**CS) PROHLÁŠENÍ O SHODĚ**

Techtronic Industries GmbH  
Max-Eyth-Straße 10, 71364 Winnenden, Germany

*Tímto prohlašujeme, že výrobky*

Hoblovačka  
Značka: RYOBI  
Číslo modelu: R18PL  
Rozsah sériových čísel: 46231002000001 - 46231002999999

*že tento výrobek je v souladu s evropskými a harmonizovanými standardy*  
2006/42/EC, 2014/30/EU, 2011/65/EU  
EN 55014-1:2017, EN 55014-2:2015, EN 62841-1:2015,  
EN 62841-2-14:2015.

RoHS dokumentace sestavena dle EN 50581:2012

Todd Chipner  
Vyšší ředitel, normy a bezpečnost  
Winnenden, Oct. 30, 2018



Pověřeni ke kompilaci technického souboru:  
Alexander Krug, Generální Ředitel  
Techtronic Industries GmbH  
Max-Eyth-Straße 10, 71364 Winnenden, Germany

**LV) Atbilstības deklarācija**

Techtronic Industries GmbH  
Max-Eyth-Straße 10, 71364 Winnenden, Germany

*Ar šo paziņojam, ka produkti*

Evele  
Modeļa numurs: R18PL  
Zīmols: RYOBI  
Sērijas numura intervāls: 46231002000001 - 46231002999999

*atbilst šādām Eiropas direktīvām un saskaņotajiem standartiem*  
2006/42/EC, 2014/30/EU, 2011/65/EU  
EN 55014-1:2017, EN 55014-2:2015, EN 62841-1:2015,  
EN 62841-2-14:2015

RoHS dokumentācija ir izstrādāta saskaņā ar EN 50581:2012

Todd Chipner  
Vecākais Direktors, darba drošības noteikumi  
Winnenden, Oct. 30, 2018



Pilnvarots sastādīt tehnisko failu:  
Alexander Krug, Izpilddirektors  
Techtronic Industries GmbH  
Max-Eyth-Straße 10, 71364 Winnenden, Germany

**HU) IZJAVA O USKLADENOSTI**

Techtronic Industries GmbH  
Max-Eyth-Straße 10, 71364 Winnenden, Germany

*Ezúton kijelentjük, hogy a termékek*

Gyálu  
Márka: RYOBI  
Típuszám: R18PL  
Sorozatszám tartomány: 46231002000001 - 46231002999999

*megfelel az alábbi Európai Irányelvek és harmonizált szabványok vonatkozó rendelkezésének*  
2006/42/EC, 2014/30/EU, 2011/65/EU  
EN 55014-1:2017, EN 55014-2:2015, EN 62841-1:2015,  
EN 62841-2-14:2015

A RoHS dokumentáció összeállítására az EN 50581:2012 szerint történt

Todd Chipner  
Senior igazgató, Megfelelőségi és biztonsági területek  
Winnenden, Oct. 30, 2018



A műszaki dokumentáció összeállítására felhatalmazott:  
Alexander Krug, Ügyvezető igazgató  
Techtronic Industries GmbH  
Max-Eyth-Straße 10, 71364 Winnenden, Germany

**LT) ATITIKTIES DEKLARACIJA**

Techtronic Industries GmbH  
Max-Eyth-Straße 10, 71364 Winnenden, Germany

*Mes pareiškiame, kad šie produktai*

Oblavimo prietaisais  
Prekės ženklas: RYOBI  
Modelio numeris: R18PL  
Serijinio numerio diapazonas: 46231002000001 - 46231002999999

*pagamintas laikantis toliau nurodytųjų Europos Direktyvų ir darniųjų standartų*  
2006/42/EC, 2014/30/EU, 2011/65/EU  
EN 55014-1:2017, EN 55014-2:2015, EN 62841-1:2015,  
EN 62841-2-14:2015

Tam tikrų pavojingų medžiagų naudojimo elektros ir elektroninėje įrangoje apri bojimo dokumentai sudaryti pagal standartą EN 50581:2012

Todd Chipner  
Vyr. direktorius, Kontrolės ir saugos  
Winnenden, Oct. 30, 2018



Igaliautas sudaryti techninį failą:  
Alexander Krug, Generalinis Direktorius  
Techtronic Industries GmbH  
Max-Eyth-Straße 10, 71364 Winnenden, Germany

**(ET) VASTAVUSDEKLARATSIOON**

Techtronic Industries GmbH  
Max-Eyth-Straße 10, 71364 Winnenden, Germany

**Kinnitame, et see toode**

Höövel  
Mark: RYOBI  
Mudelil number: R18PL  
Seerianumbri vahemik: 46231002000001 - 46231002999999

vastab järgmistele Euroopa direktiividele ja harmoniseeritud standarditele  
2006/42/EC, 2014/30/EU, 2011/65/EU  
EN 55014-1:2017, EN 55014-2:2015, EN 62841-1:2015,  
EN 62841-2-14:2015

RoHS dokumendid on koostatud vastavuses standardi EN 50581:2012 nõuetele.



Todd Chipner  
Vanemdirektor, standardiseerimise ja ohutuse alal  
Winnenden, Oct. 30, 2018

Tehnilise faili koostamiseks volitatud isik:  
Alexander Krug, Tegevdirektor  
Techtronic Industries GmbH  
Max-Eyth-Straße 10, 71364 Winnenden, Germany


**(HR) IZJAVA O USKLADENOSTI**

Techtronic Industries GmbH  
Max-Eyth-Straße 10, 71364 Winnenden, Germany

**Ovime izjavujemo da su proizvodi**

Rezač  
Marka: RYOBI  
Broj modela: R18PL  
Raspon serijskog broja: 46231002000001 - 46231002999999

usklađen sa sledećim Evropskim Direktivama i usklađenim normama  
2006/42/EC, 2014/30/EU, 2011/65/EU  
EN 55014-1:2017, EN 55014-2:2015, EN 62841-1:2015,  
EN 62841-2-14:2015

RoHS dokumentacija sukladna je EN 50581:2012



Todd Chipner  
Viši direktor, pravila i sigurnost  
Winnenden, Oct. 30, 2018

Ovlašten da sastavi tehničku datoteku:  
Alexander Krug, Direktor Upravljanja  
Techtronic Industries GmbH  
Max-Eyth-Straße 10, 71364 Winnenden, Germany


**(SL) IZJAVA O SKLADNOSTI**

Techtronic Industries GmbH  
Max-Eyth-Straße 10, 71364 Winnenden, Germany

**Izjavljamo, da je izdelek**

Poravnalka  
Znamka: RYOBI  
Številka modela: R18PL  
Razpon serijskih števil: 46231002000001 - 46231002999999

v skladu s sledećimi evropskimi direktivami in harmoniziranimi standardi  
2006/42/EC, 2014/30/EU, 2011/65/EU  
EN 55014-1:2017, EN 55014-2:2015, EN 62841-1:2015,  
EN 62841-2-14:2015

Dokumentacija RoHS je sestavljena skladno s standardom EN 50581:2012



Todd Chipner  
Višji direktor, zakonodajne in varnostne zadeve  
Winnenden, Oct. 30, 2018

Pooblaščen oseba za sestavo tehnične dokumentacije:  
Alexander Krug, Izvršni Direktor  
Techtronic Industries GmbH  
Max-Eyth-Straße 10, 71364 Winnenden, Germany


**(SK) PREHLÁSENIE O ZHODE**

Techtronic Industries GmbH  
Max-Eyth-Straße 10, 71364 Winnenden, Germany

**Týmto vyhlasujeme, že výrobok**

Hoblovačka  
Značka: RYOBI  
Číslo modelu: R18PL  
Rozsah sériových čísel: 46231002000001 - 46231002999999

je v súlade s nasledujúcimi Európskymi smernicami a harmonizovanými normami  
2006/42/EC, 2014/30/EU, 2011/65/EU  
EN 55014-1:2017, EN 55014-2:2015, EN 62841-1:2015,  
EN 62841-2-14:2015

Dokumentácia RoHS je zostavená podľa EN 50581:2012



Todd Chipner  
vyšší riaditeľ, Regulácia a bezpečnosť  
Winnenden, Oct. 30, 2018

Oprávnená osoba na zostavenie technického súboru:  
Alexander Krug, Generálny Riaditeľ  
Techtronic Industries GmbH  
Max-Eyth-Straße 10, 71364 Winnenden, Germany


**(BG) ДЕКЛАРАЦИЯ НА ЗА СЪОТВЕТСТВИЕ**

Techtronic Industries GmbH  
Max-Eyth-Straße 10, 71364 Winnenden, Germany

С настоящето декларираме, че продуктите  
Електрическо ренде  
Марка: RYOBI  
Номер на модела: R18PL  
Обхват на серийни номера:  
46231002000001 - 46231002999999

отговаря на следните директиви на ЕС и хармонизирани стандарти  
2006/42/EC, 2014/30/EU, 2011/65/EU  
EN 55014-1:2017, EN 55014-2:2015, EN 62841-1:2015,  
EN 62841-2-14:2015

Документацията за RoHS е съставена в съответствие с EN 50581:2012.



Todd Chipner  
Главен директор, отдел Нормативни изисквания и безопасност  
Winnenden, Oct. 30, 2018

Упълномощено лице за съставяне на техническия файл:  
Alexander Krug, Изпълнителен Директор  
Techtronic Industries GmbH  
Max-Eyth-Straße 10, 71364 Winnenden, Germany


**(UK) Декларация про відповідність**

Techtronic Industries GmbH  
Max-Eyth-Straße 10, 71364 Winnenden, Germany

**При цьому ми заявляємо, що продукт**

Рубанок  
Марка: RYOBI  
Номер моделі: R18PL  
Діапазон серійного номеру: 46231002000001 - 46231002999999

у відповідності з наступними європейськими директивами та гармонізованими стандартами

2006/42/EC, 2014/30/EU, 2011/65/EU  
EN 55014-1:2017, EN 55014-2:2015, EN 62841-1:2015,  
EN 62841-2-14:2015

Документація RoHS складена відповідно до EN 50581:2012



Todd Chipner  
Ген. директор, регулювання і безпека  
Winnenden, Oct. 30, 2018

Дозвіл на складання технічного файла:  
Alexander Krug, Керуючий директор  
Techtronic Industries GmbH  
Max-Eyth-Straße 10, 71364 Winnenden, Germany





**TR** Uygunluk beyanı

Techtronic Industries GmbH  
Max-Eyth-Straße 10, 71364 Winnenden, Germany

*Böylelikle beyan ederiz ki; ürün*

Planya  
Marka: RYOBI  
Model numarası: R18PL  
Seri numarası aralığı: 46231002000001 - 46231002999999

*aşağıdaki Avrupa Direktifleri ve uyumlaştırılmış standartlara uygundur*

2006/42/EC, 2014/30/EU, 2011/65/EU  
EN 55014-1:2017, EN 55014-2:2015, EN 62841-1:2015,  
EN 62841-2-14:2015

RoHS belgeleri EN 50581:2012 uyarınca derlenmiştir

Todd Chipner  
Kıdemli Direktör, Düzenleme ve Güvenlik  
Winnenden, Oct. 30, 2018

CE

Teknik dosya hazırlamaya yetkilidir:

Alexander Krug, Genel Müdür  
Techtronic Industries GmbH  
Max-Eyth-Straße 10, 71364 Winnenden, Germany

**EL** Δήλωση συμμόρφωσης

Techtronic Industries GmbH  
Max-Eyth-Straße 10, 71364 Winnenden, Germany

*Δια του παρόντος δηλώνουμε ότι το προϊόν*

Πλάνη  
Μάρκα: RYOBI  
Αριθμός μοντέλου: R18PL  
Εύρος σειριακών αριθμών: 46231002000001 - 46231002999999

*είναι σύμφωνο με τις παρακάτω Ευρωπαϊκές Οδηγίες και εναρμονισμένα πρότυπα*

2006/42/EC, 2014/30/EU, 2011/65/EU  
EN 55014-1:2017, EN 55014-2:2015, EN 62841-1:2015,  
EN 62841-2-14:2015

Τα έγγραφα RoHS συντάσσονται σύμφωνα με το EN 50581:2012

Todd Chipner  
Ανώτερος Διευθυντής, Τμήμα Ρυθμίσεων & Ασφάλειας  
Winnenden, Oct. 30, 2018

CE

Εξουσιοδοτημένο άτομο για σύνταξη τεχνικού αρχείου:

Alexander Krug, Διευθύνων Σύμβουλος  
Techtronic Industries GmbH  
Max-Eyth-Straße 10, 71364 Winnenden, Germany





**EN** RYOBI is a trademark of Ryobi Limited, and is used under license.  
**FR** RYOBI est une marque déposée de Ryobi Limited, et est utilisée sous license.  
**DE** RYOBI ist ein Markenzeichen von Ryobi Limited und wird in Lizenz verwendet.  
**ES** RYOBI es una marca registrada de Ryobi Limited, y se utiliza bajo licencia.  
**IT** L'utilizzo del marchio registrato RYOBI è legato alla licenza concessa da Ryobi Limited.  
**NL** RYOBI is een handelsmerk van Ryobi Limited en wordt onder licentie gebruikt.  
**PT** RYOBI é uma marca comercial de Ryobi Limited, e é utilizada sob licença.  
**DA** RYOBI er et varemærke tilhørende Ryobi Limited og bruges under licens.  
**SV** RYOBI är en del av varumärke Ryobi Limited och dess användning är licensierad.  
**FI** RYOBI on Ryobi Limitedin omistama tavaramerkki, ja sitä käytetään lisenssin puitteissa.  
**NO** RYOBI er et varemerke for Ryobi Limited, og brukes under lisens.  
**RU** RYOBI является товарным знаком компании Ryobi Limited, используемым по лицензии.  
**PL** RYOBI to znak towarowy firmy Ryobi Limited i jest używany zgodnie z udzieloną licencją.  
**CS** RYOBI je ochranná známka společnosti Ryobi Limited a její používání podléhá licenci.  
**HU** A RYOBI a Ryobi Limited védjegye, használatá licenc keretében történik.  
**RO** RYOBI este o marcă comercială a firmei Ryobi Limited și este utilizată sub licență.  
**LV** RYOBI ir Ryobi Limited preču zīme un tiek izmantota saskaņā ar licenci.  
**LT** „RYOBI” yra „Ryobi Limited” prekės ženklas, naudojamas pagal licenciją.  
**ET** RYOBI on ettevõtte Ryobi Limited kaubamärk, mida kasutatakse litsentsi alusel.  
**HR** RYOBI je žig tvrtke Ryobi Limited i koristi se po licenci.  
**SL** RYOBI je blagovna znamka družbe Ryobi Limited in se uporablja na podlagi dovoljenja.  
**SK** RYOBI je ochranná známka spoločnosti Ryobi Limited a používa sa na základe licencie.  
**BG** RYOBI е търговска марка на Ryobi Limited и се използва под лиценз.  
**UK** RYOBI є товарним знаком Ryobi Limited, і використовується за ліцензією.  
**TR** RYOBI, Ryobi Limited şirketine ait olup, lisans altında kullanılan bir ticari markadır.  
**EL** Το RYOBI αποτελεί εμπορικό σήμα της Ryobi Limited και χρησιμοποιείται μετά από χορήγηση άδειας.





**Techtronic Industries GmbH**  
Max-Eyth-Straße 10,  
71364 Winnenden, Germany

20190122v4