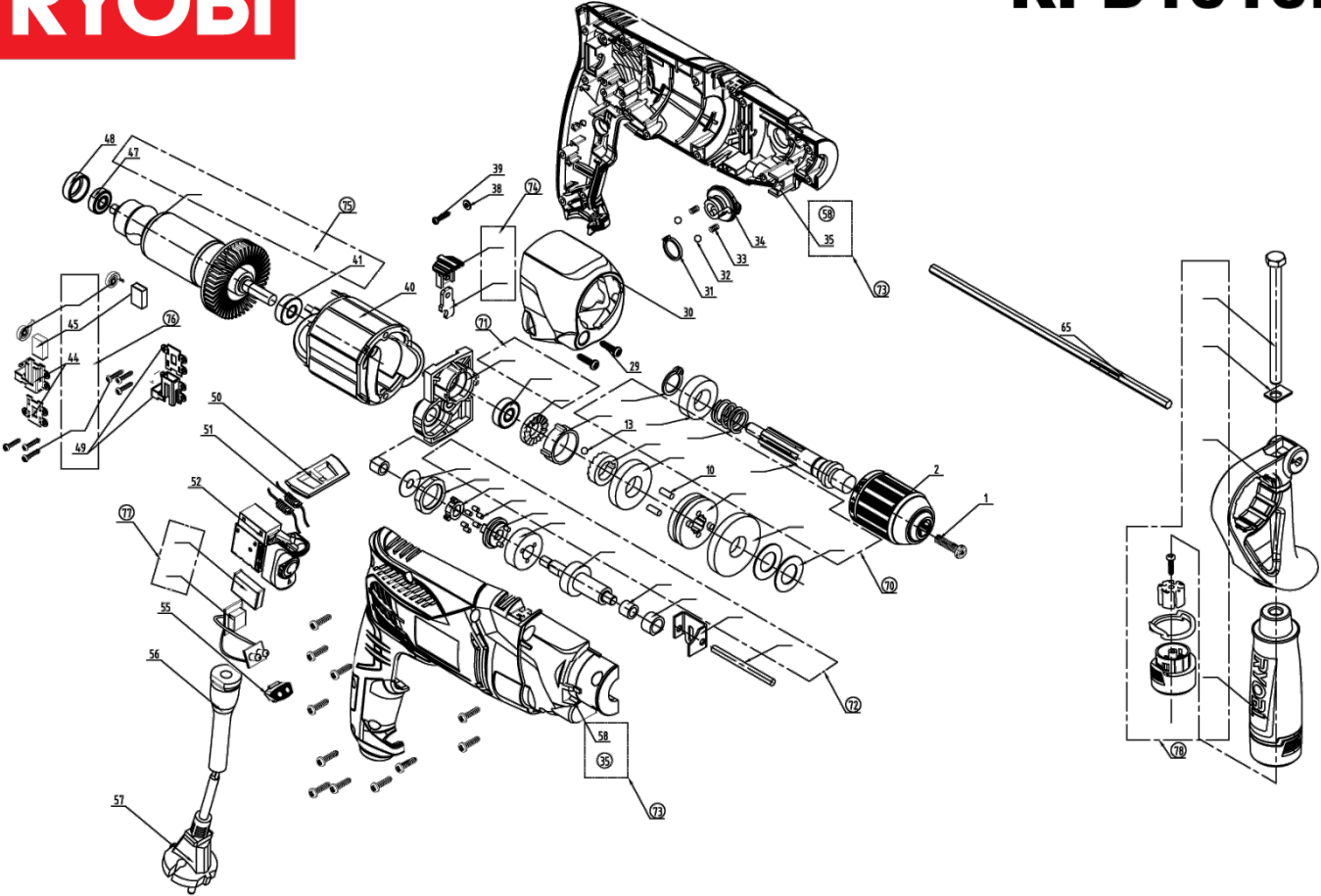


RPD1010K 1010W PERC.DRILL IN2

5133002058 - RPD1010-K - 4000444259





Position	Quantity	Description	Part number	EAN
	1	LABEL	5131000000	
	1	LABEL	5131000000	
001	1	SCREW	5131031880	4058546130169
002	1	CHUCK	5131031999	4058546130985
010	2	PIN	5131032008	4058546131074
013	1	BALL	5131032011	4058546131104
029	15	SCREW	5131000000	
030	1	GEAR BOX HOUSING	5131000000	
031	1	RETAINING RING	5131032030	4058546131296
032	2	BALL	5131032031	4058546131302
033	2	SPRING	5131000000	
034	1	TURNING KNOB	5131032033	4058546131326
038	1	WASHER	5131000000	
039	1	SCREW	5131000000	
040	1	ELECTRIC FIELD	5131032038	4058546131371
044	1	BRUSH HOLDER	5131032046	4058546131456
045	1	CARBON BRUSH SET	5131032044	4058546131432
048	1	BEARING SLEEVE	5131032039	4058546131388
049	1	BRUSH HOLDER	5131000000	
050	1	PUSH BUTTON	5131032050	4058546131494
051	2	CHOKING COIL	5131031920	4058546130428
052	1	SWITCH	5131032051	4058546131500
055	1	COVER	5131031932	4058546130527
056	1	PROTECTION SLEEVE	5131000000	
057	1	POWER CORD EU PLUG H05VV-F2X1,0MM	5131000000	
065	1	DEPTH GAUGE	5131032053	4058546131524
070	1	DRIVING SHAFT	5131032000	4058546130992
071	1	BEARING HOUSING	5131032013	4058546131128
072	1	CONNECTING SHAFT	5131032017	4058546131166
073	1	HOUSING SET ASSY	5131032034	4058546131333
074	1	PUSH-BUTTON	5131032035	4058546131340
075	1	ARMATURE ASSEMBLY	5131032040	4058546131395
076	1	CARBON BRUSH SET	5131032044	4058546131432
077	1	ELECTRONIC ELEMENT	5131031939	4058546130572
078	1	AUXILIARY HANDLE	5131015640	4058546102111