

AEG

POWERTOOLS

BE 750 R, SBE 705 RE, SBE 705 RZ, SBE 750 RZ, SBE 750 RE, SBE 750 RES

Original instructions

Originalbetriebsanleitung

Notice originale

Istruzioni originali

Manual original

Manual original

Oorspronkelijke
gebruiksaanwijzing

Original brugsanvisning

Original bruksanvisning

Bruksanvisning i original

Alkuperäiset ohjeet

Πρωτότυπο οδηγίων χρήσης

Orijinal işletme talimatı

Původním návodem k používání

Pôvodný návod na použitie

Instrukcja oryginalna

Eredeti használati utasítás

Izvirna navodila

Originalne pogonske upute

Instrukcijām oriģinālvalodā

Originali instrukcija

Algupärane kasutusjuhend

Оригинальное руководство по
эксплуатации

Оригинално ръководство за
експлоатация

Instrukțiuni de folosire originale

Оригинален прирачник за работа

Оригінал інструкції з експлуатації

التعليمات الأصلية

ENGLISH		Picture section with operating description and functional description	4
DEUTSCH		Bildteil mit Anwendungs- und Funktionsbeschreibungen	4
FRANÇAIS		Partie imagée avec description des applications et des fonctions	4
ITALIANO		Sezione illustrata con descrizione dell'applicazione e delle funzioni	4
ESPAÑOL		Sección de ilustraciones con descripción de aplicación y descripción funcional	4
PORTUGUES		Parte com imagens explicativas contendo descrição operacional e funcional	4
NEDERLANDS		Beelddedeelte met toepassings- en functiebeschrijvingen	4
DANSK		Billedel med anvendelses- og funktionsbeskrivelser	4
NORSK		Billedel med bruks- og funksjonsbeskrivelse	4
SVENSKA		Bilddel med användnings- och funktionsbeskrivning	4
SUOMI		Kuvasivut käyttö- ja toimintakuvaukset	4
ΕΛΛΗΝΙΚΑ		Τμήμα εικόνων με περιγραφές χρήσης και λειτουργίας	4
TÜRKÇE		Resim bölümü Uygulama ve fonksiyon açıklamaları ile birlikte	4
ČESKY		Obrazová část s popisem aplikací a funkcí	4
SLOVENSKY		Obrazová část s popisom aplikácií a funkcií	4
POLSKI		Część rysunkowa z opisami zastosowania i działania	4
MAGYAR		Képes részalkalmazási- és működési leírásokkal	4
SLOVENSKO		Del slike z opisom uporabe in funkcij	4
HRVATSKI		Dio sa slikama opisima primjene i funkcija	4
LATVISKI		Attēla daļa ar lietošanas un funkciju aprakstiem	4
LIETUVIŠKAI		Paveikslėlio dalis su vartojimo instrukcija ir funkcijų aprašymais	4
EESTI		Pildiosa kasutusjuhendi ja funktsioonide kirjeldusega	4
РУССКИЙ		Раздел иллюстраций с описанием эксплуатации и функций	4
БЪЛГАРСКИ		Част със снимки с описание за приложение и функции	4
ROMÂNIA		Secvența de imagine cu descrierea utilizării și a funcționării	4
МАКЕДОНСКИ		Дел со сликисо описи за употреба и функционирање	4
УКРАЇНСЬКА		Частина з зображеннями з описом робіт та функцій	4
عربي		قسم الصور يوجد به الوصف التشغيلي والوظيفي	4

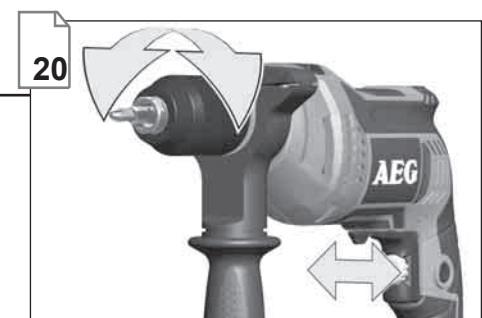
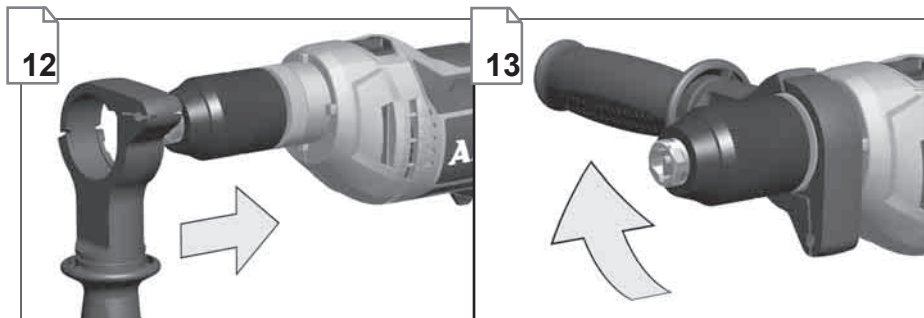
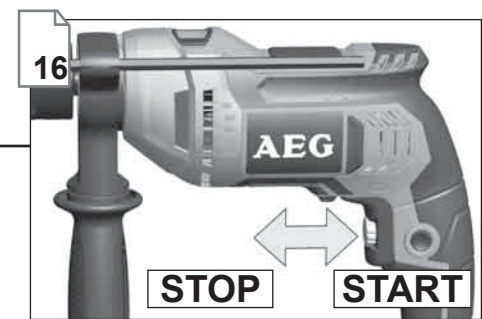
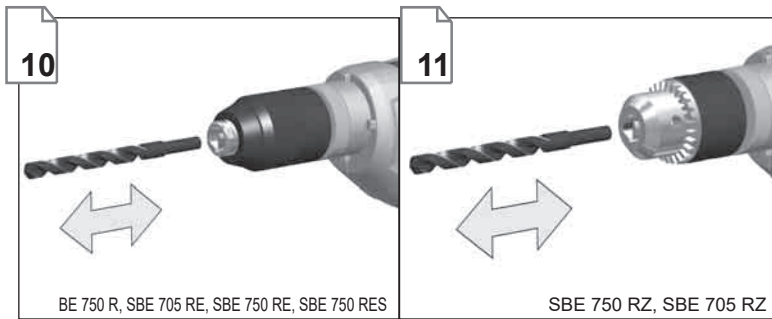
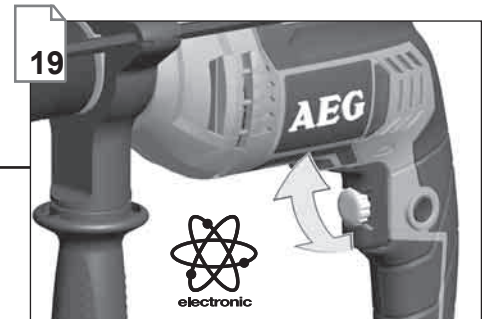
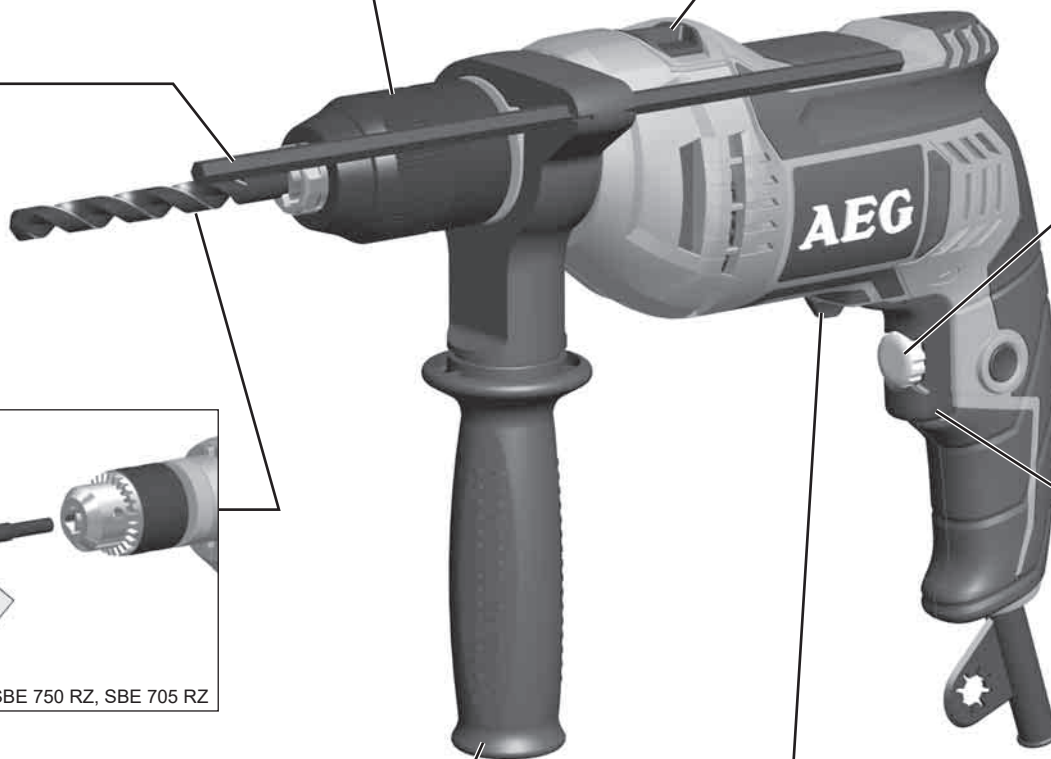
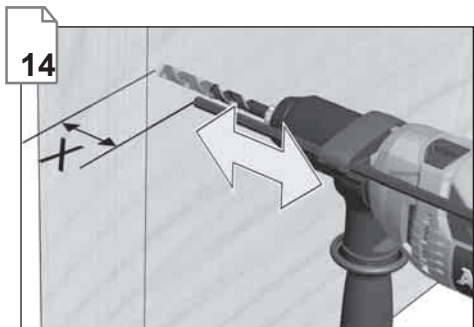
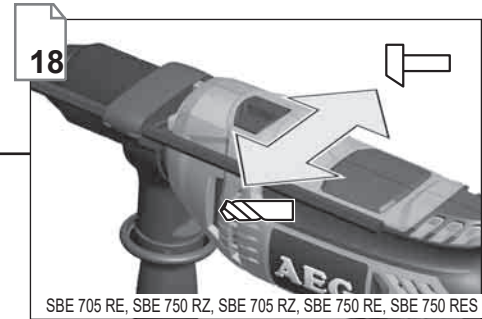
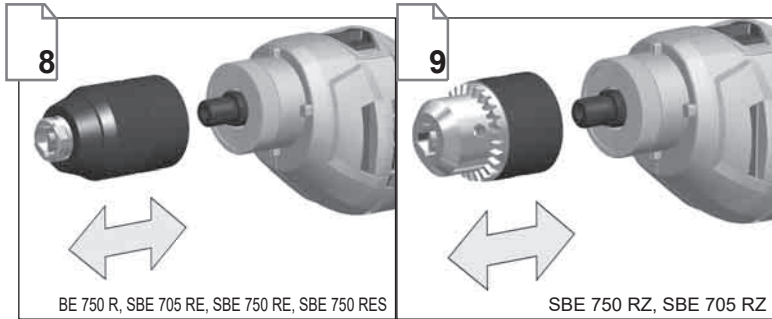
Text section with Technical Data, important Safety and Working Hints and description of Symbols	22
Textteil mit Technischen Daten, wichtigen Sicherheits- und Arbeitshinweisen und Erklärung der Symbole.	25
Partie textuelle avec les données techniques, les consignes importantes de sécurité et de travail ainsi que l'explication des pictogrammes.	28
Sezione testo con dati tecnici, importanti informazioni sulla sicurezza e sull'utilizzo, spiegazione dei simboli.	31
Sección de texto con datos técnicos, indicaciones importantes de seguridad y trabajo y explicación de los símbolos.	34
Parte com texto explicativo contendo Especificações técnicas, Avisos de segurança e de operação e a Descrição dos símbolos.	37
Tekstgedeelte met technische gegevens, belangrijke veiligheids- en arbeidsinstructies en verklaring van de symbolen.	40
Tekstdel med tekniske data, vigtige sikkerheds- og arbejdsanvisninger og symbolforklaring.	43
Tekstdel med tekniske data, viktige sikkerhets- og arbeidsinstruksjoner og forklaring av symbolene.	46
Tekstdel med tekniska informationer, viktiga säkerhets- och användningsinstruktioner samt symbolförklaringar.	49
Tekstisivut: tekniset tiedot, tärkeät turvallisuus- ja työskentelyohjeet sekä merkien selitykset.	52
Τμήμα κειμένου με τεχνικά χαρακτηριστικά, σημαντικές υποδείξεις ασφαλείας και εργασίας και εξήγηση των συμβόλων.	55
Teknik bilgileri, önemli güvenlik ve çalışma açıklamalarını ve de sembollerin açıklamalarını içeren metin bölümü.	58
Textová část s technickými daty, důležitými bezpečnostními a pracovními pokyny a s vysvětlivkami symbolů	61
Textová část s technickými datami, důležitými bezpečnostními a pracovními pokyny a s vysvětlivkami symbolov	64
Część opisowa z danymi technicznymi, ważnymi wskazówkami dotyczącymi bezpieczeństwa i pracy oraz objaśnieniami symboli.	67
Szöveges rész műszaki adatokkal, fontos biztonsági- és munkavégzési útmutatásokkal, valamint a szimbólumok magyarázata.	70
Del besedila s tehničnimi podatki, pomembnimi varnostnimi opozorili in delovnimi navodili in pojasnili simbolov.	73
Dio štiva sa tehničkim podacima, važnim sigurnosnim i radnim uputama i objašnjenjem simbola.	76
Teksta daļa ar tehnikajiem parametriem, svarīgiem drošības un darbības norādījumiem, simbolu atšifrējumiem.	79
Teksto dalis su techniniais duomenimis, svarbiomis saugumo ir darbo instrukcijomis bei simbolių paaiškinimais.	82
Tekstiosa tehniliste näitajate, oluliste ohutus- ja tööjuhenditega ning sümbolite kirjeldustega.	85
Текстовый раздел, включающий технические данные, важные рекомендации по безопасности и эксплуатации, а также описание используемых символов.	88
Част с текст с технически данни, важни указания за безопасност и работа и разяснение на символите.	91
Porțiune de text cu date tehnice, indicații importante privind siguranța și modul de lucru și descrierea simbolurilor.	94
Tekstuален дел со Технички карактеристики, важни безбедносни и работни упатства и објаснување на симболите.	97
Текстова частина з техничними даними, важливими вказівками з техніки безпеки та експлуатації і поясненням символів.	100
القسم النصي المزود بالبيانات الفنية والنصائح الهامة للسلامة والعمل ووصف الرموز	107

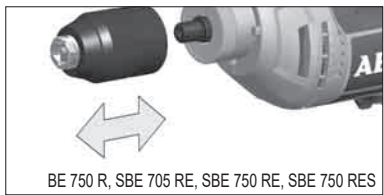
BE 750 R

Rotary Drill	Vřtačka
Bohrmaschine	Wiertarka
Perceuse	Fúrógép
Trapani rotativi	Rotacijski vrtalniki
Taladro Rotativo	Bušilica
Berbequim Rotativo	Rotējošais urbis
Boormachine	Gręžtuvas
Boremaskine	Trellpuur
Bormaskin	Дрель
Borrmaskin	Перфораторна бормашина
Porakone	Mašinā de gāurit
ΠΕΡΙΣΤΡΟΦΙΚΟ ΔΡΑΠΑΝΟ	Бормашина
Matkap makinesi	Дриль
Vřtačky	مقنب دوآر

SBE 705 RE, SBE 705 RZ, SBE 750 RZ, SBE 750 RE, SBE 750 RES

Percussion drill/driver	Přiklepová vřtačka a uřahovačka
Schlagbohrer/Schrauber	Wiertarka/wkręćarka udarowa
Perceuse Visseuse à percussion	Űtvefúró/csavarozógép
Trapano avvitatore	Udarni vrtalniki/vijačniki
Taladro Combi a Batería	Udarna bušilica
Berbequim com percussão	Sitamais urbis
Slagboormachine/Schroevendraaier	Smūginis atsuktuvus / grąžtas
Slagbore-/skruemaskine	Löökrpuur
Slagbormaskin/skrutrekker	Ударная дрель/шуруповерт
Slagborrmaskin/skruddragare	Ударен гайковерт
Iskuporakone/ruuvinkierrin	Mašinā de gāurit/ ĩņšurubat compactā
ΚΡΟΥΣΤΙΚΟ ΔΡΑΠΑΝΟΚΑΤΣΑΒΙΔΟ	Ударна дупчалка
Vurmalı matkap vidası	Ударний дриль/гвинтокрут
Přiklepové vřtačky/šroubováky	مقنب/لقمة حفر

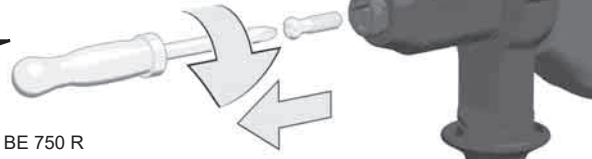




BE 750 R, SBE 705 RE, SBE 750 RE, SBE 750 RES

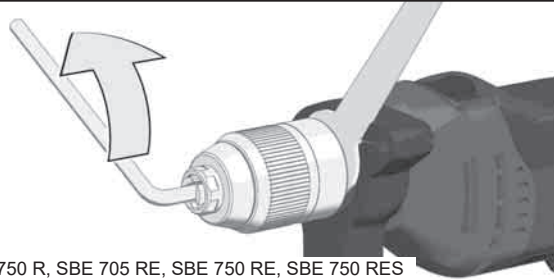


1



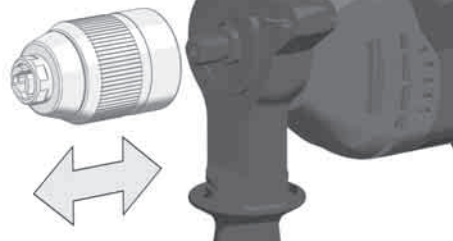
BE 750 R

2



BE 750 R, SBE 705 RE, SBE 750 RE, SBE 750 RES

3



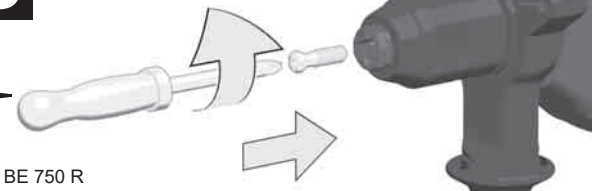
BE 750 R, SBE 705 RE, SBE 750 RE, SBE 750 RES

4



BE 750 R, SBE 705 RE, SBE 750 RE, SBE 750 RES

5



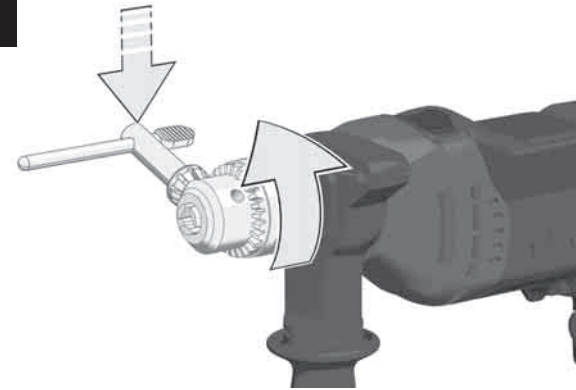
BE 750 R



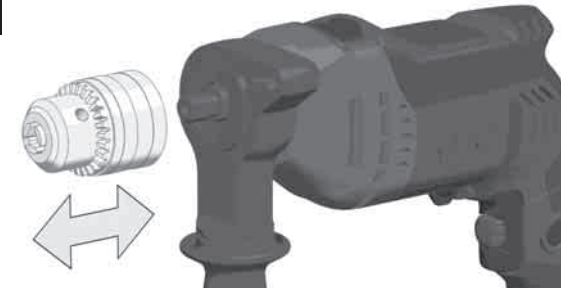
SBE 750 RZ, SBE 705 RZ



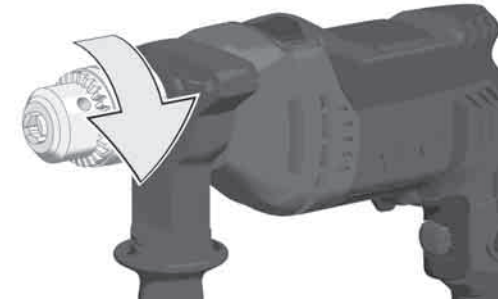
1

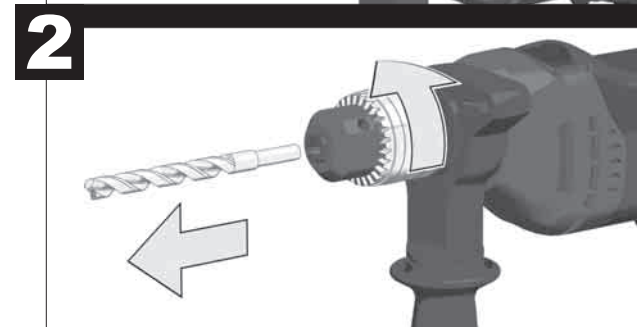
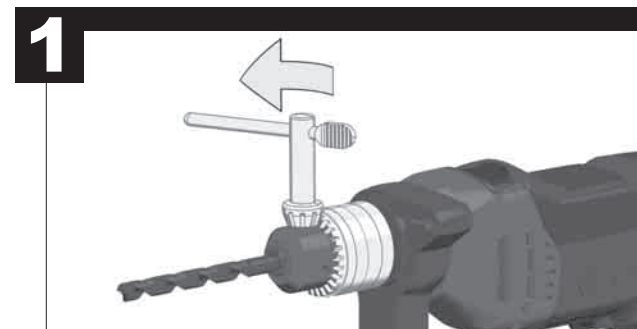
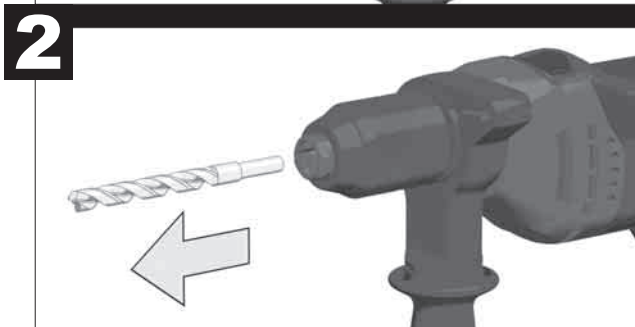
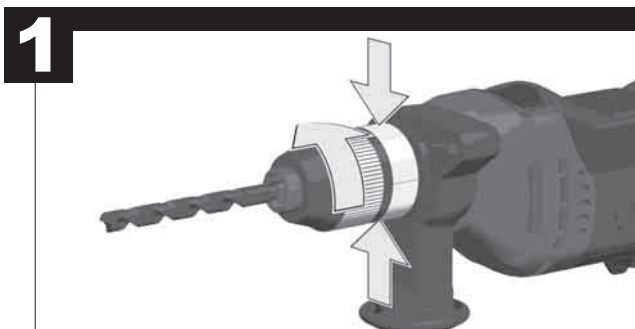
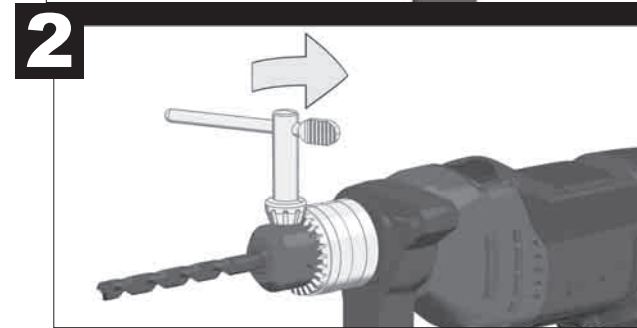
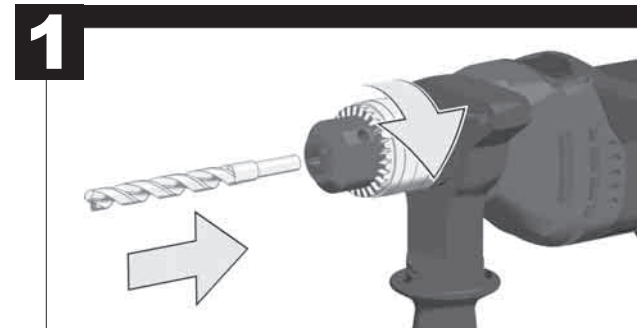
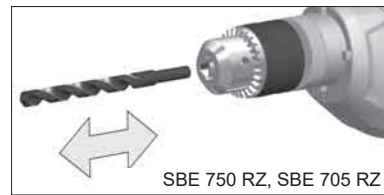
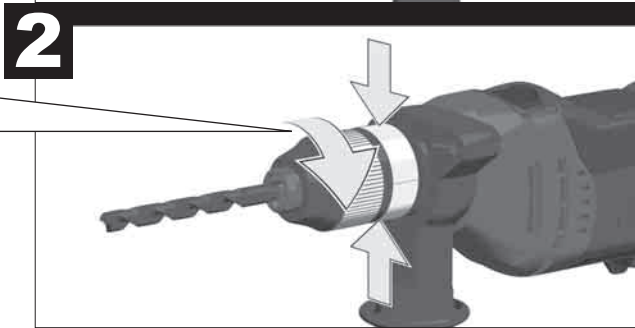
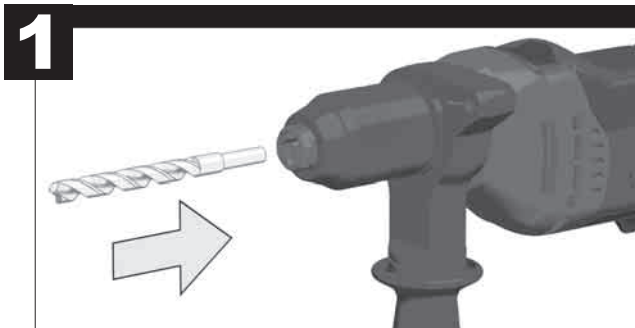


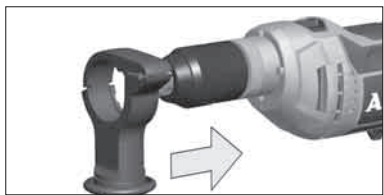
2



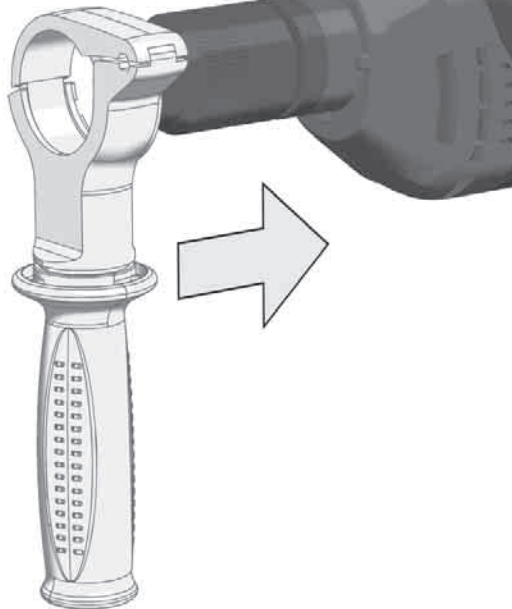
3



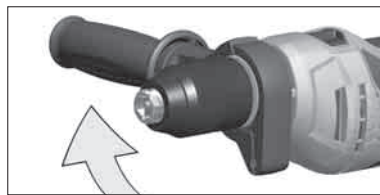
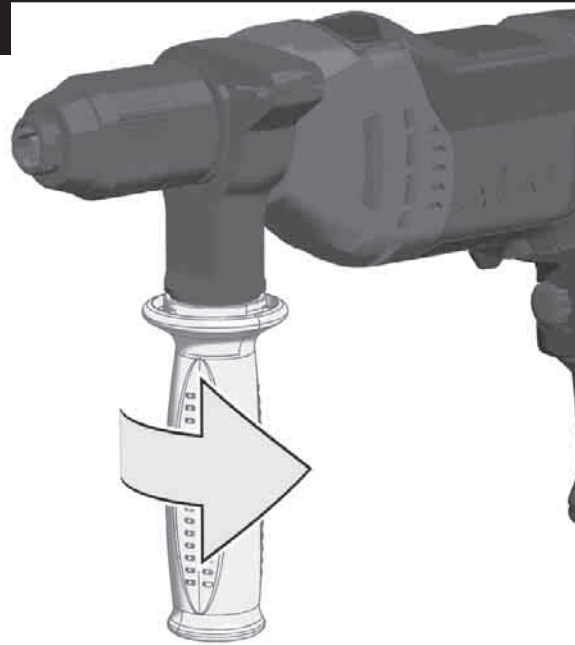




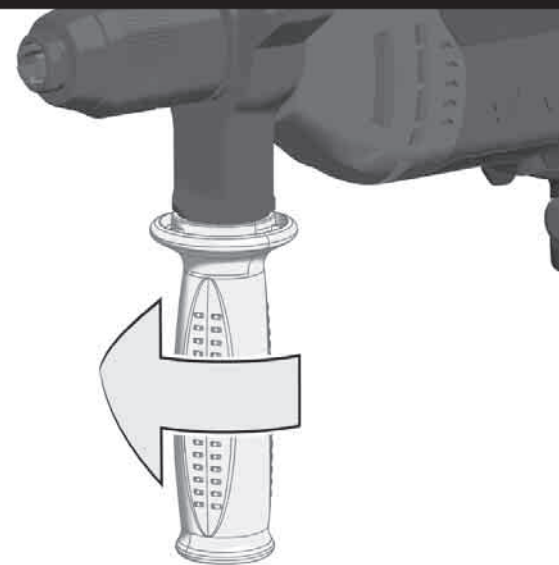
1



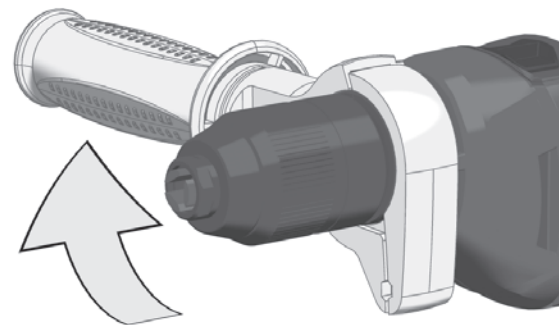
2



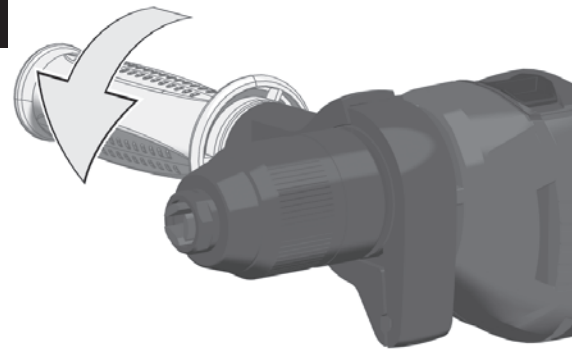
1

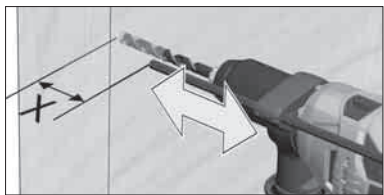


2

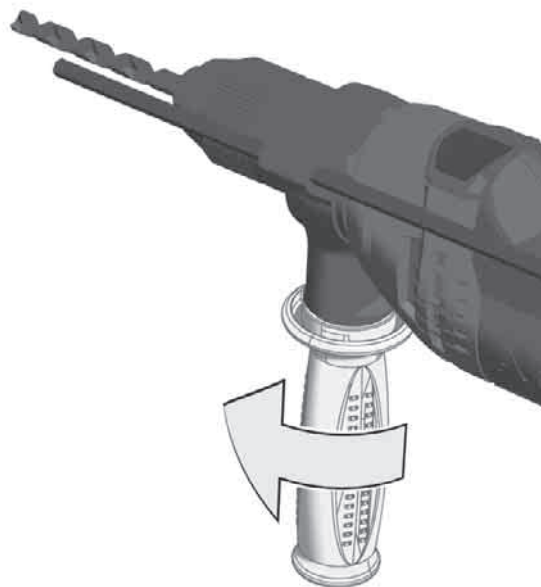


3

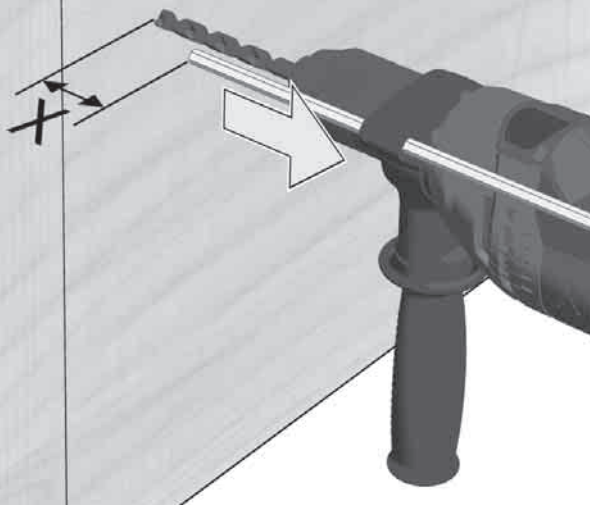




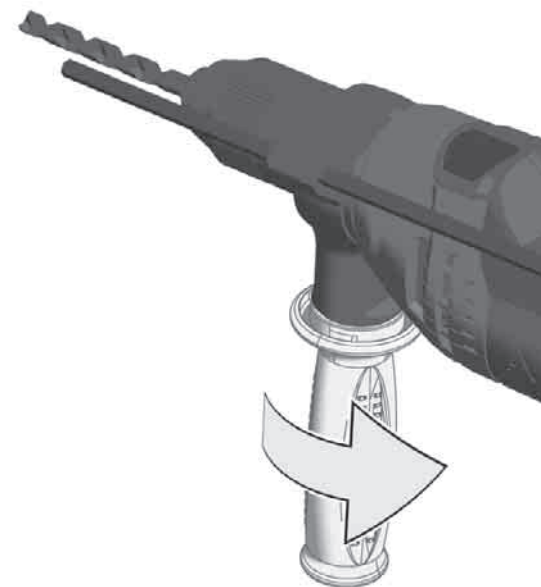
1



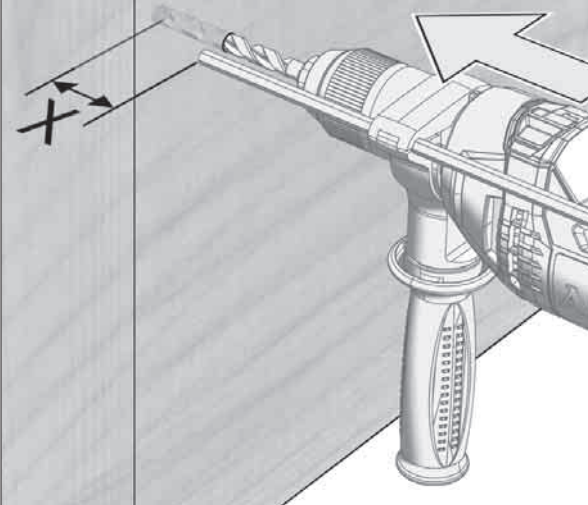
2

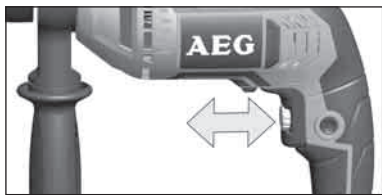


3

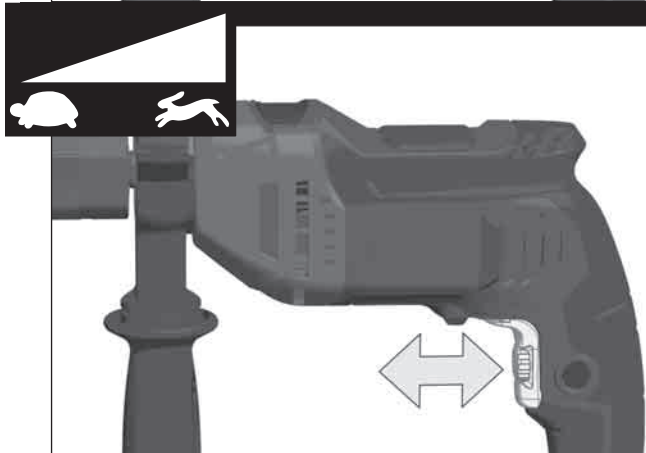
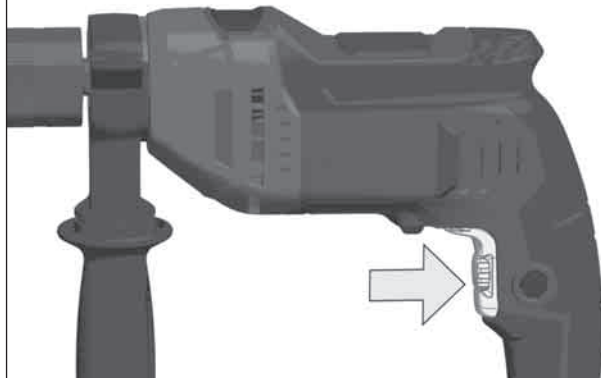


4

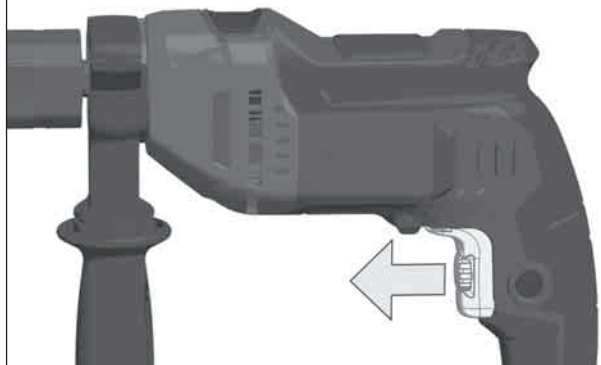




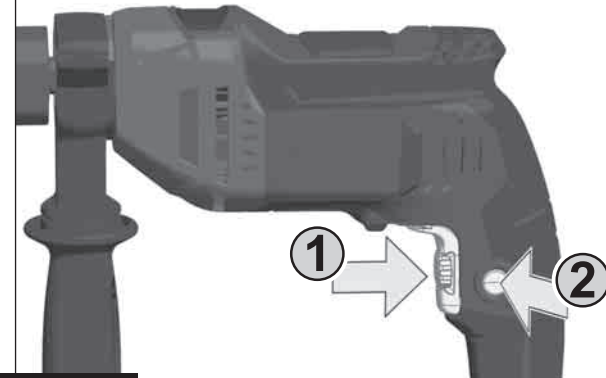
START



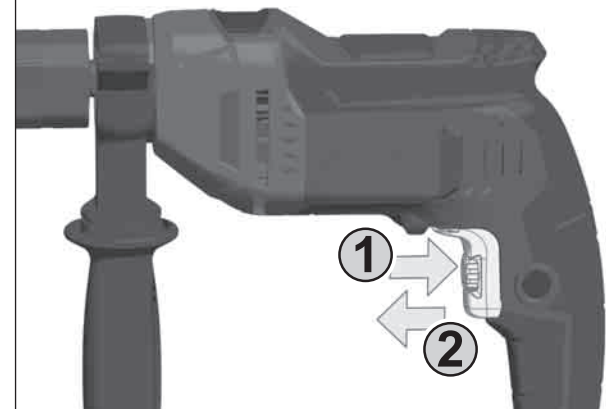
STOP

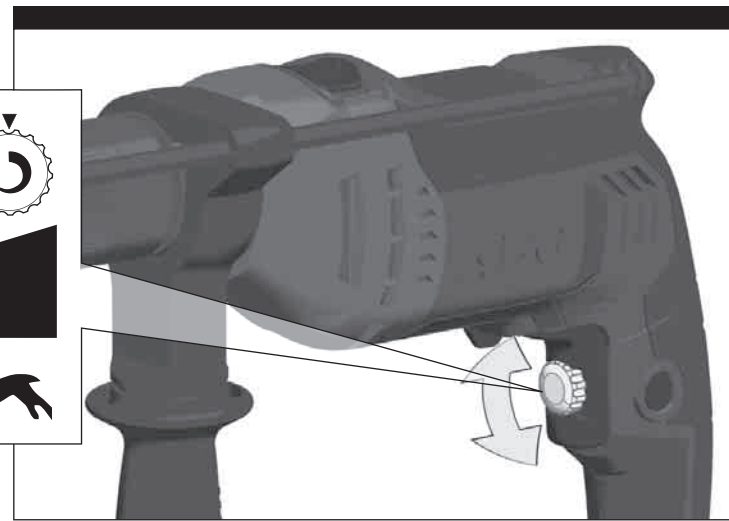
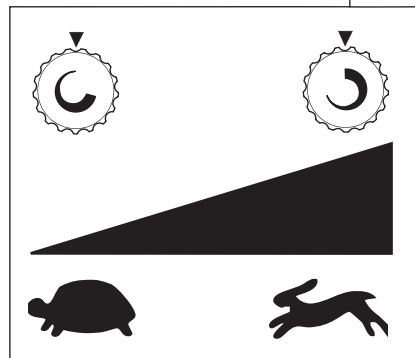
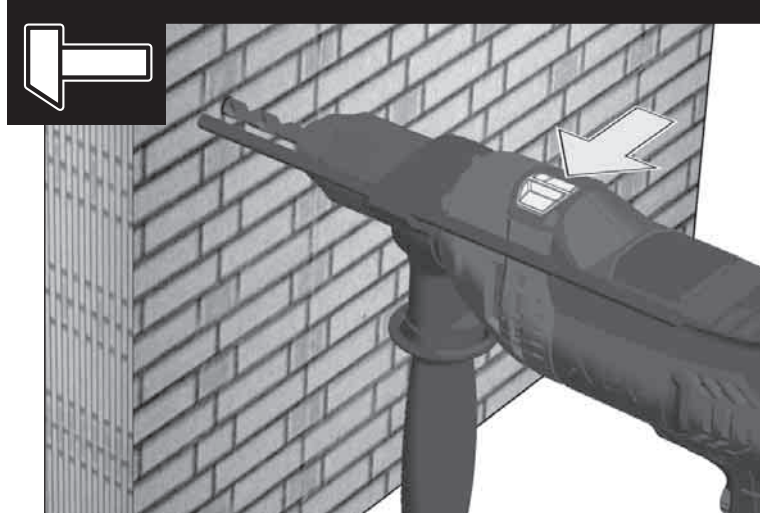
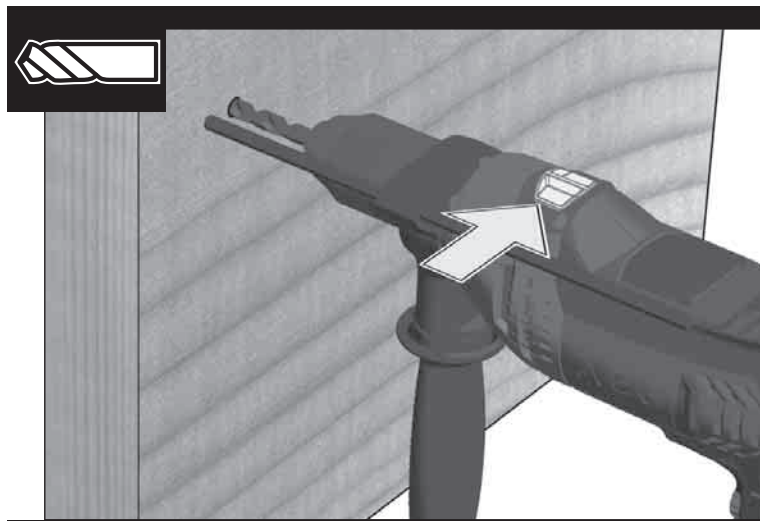
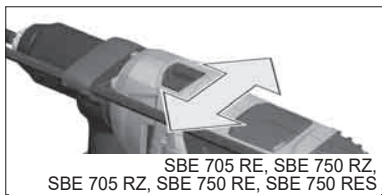


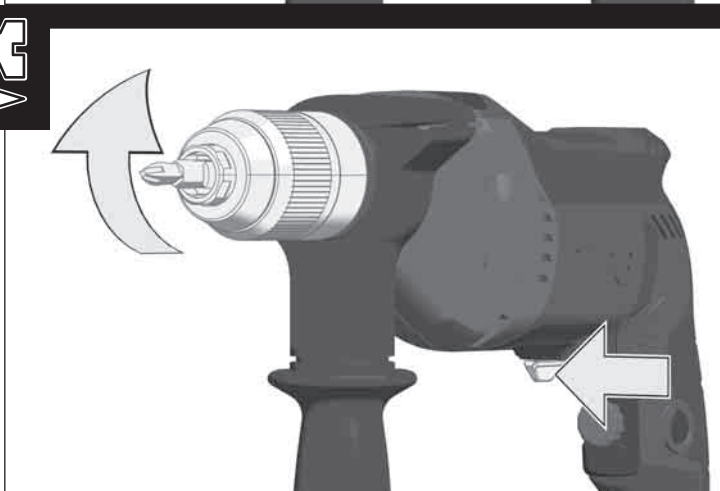
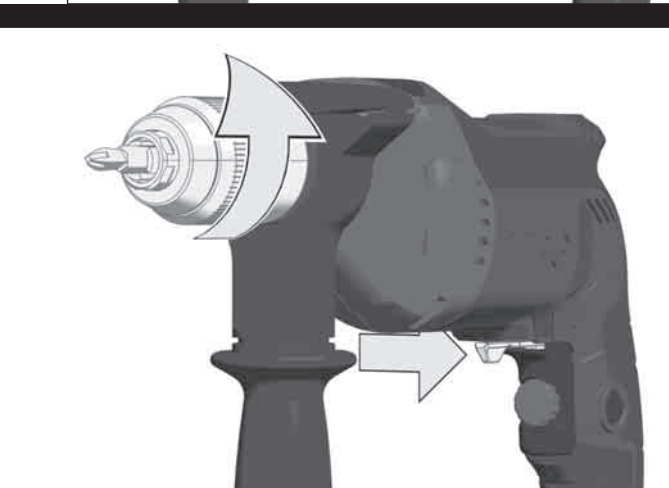
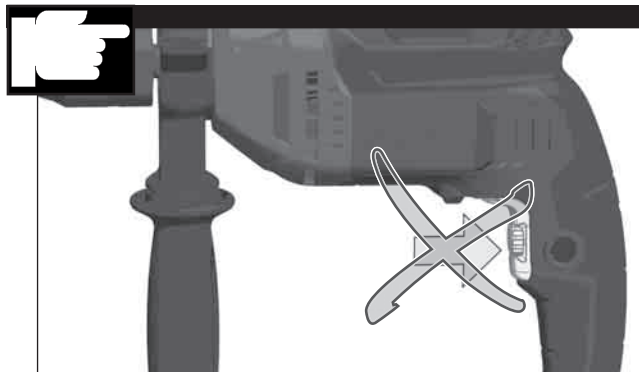
START/LOCK



STOP







TECHNICAL DATA	BE 750 R	SBE 705 RE	SBE 705 RZ
Production code.....	4491 61 04...	4428 31 04...	4494 91 04...
000001-999999000001-999999000001-999999
Rated input.....	750 W	705 W	705 W
Output.....	375 W	350 W	350 W
No-load speed.....	0-3000 min ⁻¹	0-2800 min ⁻¹	0-2800 min ⁻¹
Speed under load max.....	1450 min ⁻¹	1600 min ⁻¹	1600 min ⁻¹
Rate of percussion under load max.....	- min ⁻¹	25600 min ⁻¹	25600 min ⁻¹
Static jamming moment *.....	27 Nm	25 Nm	25 Nm
Drilling capacity in concrete.....	15 mm	15 mm	15 mm
Drilling capacity in brick and tile.....	20 mm	20 mm	20 mm
Drilling capacity in steel.....	13 mm	13 mm	13 mm
Drilling capacity in wood.....	30 mm	30 mm	30 mm
Drill chuck range.....	1,5-13 mm	1,5-13 mm	1,5-13 mm
Drive shank.....	1/2"x20	1/2"x20	1/2"x20
Chuck neck diameter.....	43 mm	43 mm	43 mm
Weight according EPTA-Procedure 01/2014.....	1,95 kg	1,95 kg	1,95 kg
* Measured according to AEG norm N 877318			

Noise information

Measured values determined according to EN 60 745.

Typically, the A-weighted noise levels of the tool are:

As drill/screwdriver			
Sound pressure level (Uncertainty K=3dB(A)).....	81,5 dB (A)	81,5 dB (A)	81,5 dB (A)
Sound power level (Uncertainty K=3dB(A)).....	92,5 dB (A)	92,5 dB (A)	92,5 dB (A)
As impact drill			
Sound pressure level (Uncertainty K=3dB(A)).....	-	89 dB (A)	89 dB (A)
Sound power level (Uncertainty K=3dB(A)).....	-	100 dB (A)	100 dB (A)

Wear ear protectors!

Vibration information

Vibration total values (triaxial vector sum) determined according to EN 60745

Drilling into metal			
Vibration emission value a _{h,DS}	3,4 m/s ²	3,4 m/s ²	3,4 m/s ²
Uncertainty K=.....	1,5 m/s ²	1,5 m/s ²	1,5 m/s ²
Impact drilling into concrete			
Vibration emission value a _{h,ID}	-	20,2 m/s ²	20,2 m/s ²
Uncertainty K=.....	-	1,5 m/s ²	1,5 m/s ²
Screwing			
Vibration emission value a _h	2,5 m/s ²	2,5 m/s ²	2,5 m/s ²
Uncertainty K=.....	1,5 m/s ²	1,5 m/s ²	1,5 m/s ²

TECHNICAL DATA	SBE 750 RZ	SBE 750 RE	SBE 750 RES
Production code.....	4428 41 04...	4428 51 04...	4497 83 04...
4494 96 04...4494 96 04...4494 96 04...
Rated input.....	000001-999999	000001-999999	000001-999999
Output.....	750 W	750 W	750 W
No-load speed.....	375 W	375 W	375 W
Speed under load max.....	0-3000 min ⁻¹	0-3000 min ⁻¹	0-3000 min ⁻¹
Rate of percussion under load max.....	1450 min ⁻¹	1450 min ⁻¹	1450 min ⁻¹
Static jamming moment *.....	23200 min ⁻¹	23200 min ⁻¹	23200 min ⁻¹
Drilling capacity in concrete.....	27 Nm	27 Nm	27 Nm
Drilling capacity in brick and tile.....	16 mm	16 mm	16 mm
Drilling capacity in steel.....	20 mm	20 mm	20 mm
Drilling capacity in wood.....	13 mm	13 mm	13 mm
Drill chuck range.....	30 mm	30 mm	30 mm
Drive shank.....	1,5-13 mm	1,5-13 mm	1,5-13 mm
Chuck neck diameter.....	1/2"x20	1/2"x20	1/2"x20
Weight according EPTA-Procedure 01/2014.....	43 mm	43 mm	43 mm
* Measured according to AEG norm N 877318	1,95 kg	1,95 kg	1,95 kg

Noise information

Measured values determined according to EN 60 745.

Typically, the A-weighted noise levels of the tool are:

As drill/screwdriver			
Sound pressure level (Uncertainty K=3dB(A)).....	81,5 dB (A)	81,5 dB (A)	81,5 dB (A)
Sound power level (Uncertainty K=3dB(A)).....	92,5 dB (A)	92,5 dB (A)	92,5 dB (A)
As impact drill			
Sound pressure level (Uncertainty K=3dB(A)).....	89 dB (A)	89 dB (A)	89 dB (A)
Sound power level (Uncertainty K=3dB(A)).....	100 dB (A)	100 dB (A)	100 dB (A)

Wear ear protectors!

Vibration information

Vibration total values (triaxial vector sum) determined according to EN 60745

Drilling into metal			
Vibration emission value a _{h,DS}	3,4 m/s ²	3,4 m/s ²	3,4 m/s ²
Uncertainty K=.....	1,5 m/s ²	1,5 m/s ²	1,5 m/s ²
Impact drilling into concrete			
Vibration emission value a _{h,ID}	20,2 m/s ²	20,2 m/s ²	20,2 m/s ²
Uncertainty K=.....	1,5 m/s ²	1,5 m/s ²	1,5 m/s ²
Screwing			
Vibration emission value a _h	2,5 m/s ²	2,5 m/s ²	2,5 m/s ²
Uncertainty K=.....	1,5 m/s ²	1,5 m/s ²	1,5 m/s ²

WARNING

The vibration emission level given in this information sheet has been measured in accordance with a standardised test given in EN 60745 and may be used to compare one tool with another. It may be used for a preliminary assessment of exposure.

The declared vibration emission level represents the main applications of the tool. However if the tool is used for different applications, with different accessories or poorly maintained, the vibration emission may differ. This may significantly increase the exposure level over the total working period.

An estimation of the level of exposure to vibration should also take into account the times when the tool is switched off or when it is running but not actually doing the job. This may significantly reduce the exposure level over the total working period.

Identify additional safety measures to protect the operator from the effects of vibration such as: maintain the tool and the accessories, keep the hands warm, organisation of work patterns.

▲ WARNING! Read all safety warnings and all instructions. Failure to follow the warnings and instructions may result in electric shock, fire and/or serious injury. **Save all warnings and instructions for future reference.**

▲ DRILL / PERCUSSION DRILL SAFETY WARNINGS

Wear ear protectors when impact drilling. Exposure to noise can cause hearing loss.

Use auxiliary handle(s), if supplied with the tool. Loss of control can cause personal injury.

Hold the power tool by insulated gripping surfaces only, when performing an operation where the cutting accessory may contact hidden wiring or its own cord. Cutting accessory contacting a "live" wire may make exposed metal parts of the power tool "live" and could give the operator an electric shock.

▲ SCREWDRIVER SAFETY WARNINGS

Hold power tool by insulated gripping surfaces, when performing an operation where the cutting accessory may contact hidden wiring or its own cord. Fasteners contacting a "live" wire may make exposed metal parts of the power tool "live" and could give the operator an electric shock.

ADDITIONAL SAFETY AND WORKING INSTRUCTIONS

Use protective equipment. Always wear safety glasses when working with the machine. The use of protective clothing is recommended, such as dust mask, protective gloves, sturdy non-slip footwear, helmet and ear defenders.

The dust produced when using this tool may be harmful to health. Do not inhale the dust. Wear a suitable dust protection mask.

Do not machine any materials that present a danger to health (e.g. asbestos).

Switch the device off immediately if the insertion tool stalls! Do not switch the device on again while the insertion tool is stalled, as doing so could trigger a sudden recoil with a high reactive force. Determine why the insertion tool stalled and rectify this, paying heed to the safety instructions.

The possible causes may be:

- it is tilted in the workpiece to be machined
- it has pierced through the material to be machined
- the power tool is overloaded

Do not reach into the machine while it is running.

The insertion tool may become hot during use.

WARNING! Danger of burns

- when changing tools

- when setting the device down

Chips and splinters must not be removed while the machine is running.

Keep mains lead clear from working range of the machine. Always lead the cable away behind you.

When working in walls ceiling, or floor, take care to avoid electric cables and gas or waterpipes.

Clamp your workpiece with a clamping device. Unclamped workpieces can cause severe injury and damage.

Always disconnect the plug from the socket before carrying out any work on the machine.

When working with large drill diameters, the auxiliary handle must be fastened in a right angle with the main handle (see illustrations, section "Twisting the handle").

SPECIFIED CONDITIONS OF USE

The electronic percussion drill/screwdriver can be universally used for drilling, percussion drilling, screwdriving and cutting screw threads.

Do not use this product in any other way as stated for normal use.

EC-DECLARATION OF CONFORMITY

We declare under our sole responsibility that the product described under "Technical Data" fulfills all the relevant provisions of the directives 2011/65/EU (RoHS), 2014/30/EU, 2006/42/EC and the following harmonized standards have been used:

EN 55014-1:2017
EN 60745-1:2009+A11:2010
EN 60745-2-1:2010
EN 60745-2-2:2010
EN 61000-3-3:2013
EN 61000-3-2:2014
EN 55014-2:2015
EN 50581:2012

Winnenden, 2018-02-26



Alexander Drug
Managing Director



Authorized to compile the technical file

Techronic Industries GmbH
Max-Eyth-Straße 10
71364 Winnenden
Germany

MAINS CONNECTION

Appliances used at many different locations including wet room and open air must be connected via a residual current device (FI, RCD, PRCD) of 30mA or less.

Connect only to single-phase AC current and only to the system voltage indicated on the rating plate. It is also possible to connect to sockets without an earthing contact as the design conforms to safety class II.

Make sure the machine is switched off before plugging in.

MAINTENANCE

The ventilation slots of the machine must be kept clear at all times.

If the machine is mainly used for percussion drilling, regularly remove collected dust from the chuck. To remove the dust hold the machine with the chuck facing down vertically, and completely open and close the chuck. The collected dust will fall from the chuck.

It is recommended to regularly use cleaner for the clamping jaws and the clamping jaw borings.

If the supply cord of this appliance is damaged, it must only be replaced by a repair shop appointed by the manufacturer, to avoid hazardous situations

Use only AEG accessories and spare parts. Should components need to be replaced which have not been described, please contact one of our AEG service agents (see our list of guarantee/service addresses).

If needed, an exploded view of the tool can be ordered. Please state the Article No. as well as the machine type printed on the label and order the drawing at your local service agents or directly at: Techtronic Industries GmbH, Max-Eyth-Straße 10, 71364 Winnenden, Germany.

SYMBOLS



CAUTION! WARNING! DANGER!



Always disconnect the plug from the socket before carrying out any work on the machine.



Please read the instructions carefully before starting the machine.



Accessory - Not included in standard equipment, available as an accessory.



Do not dispose of electric tools together with household waste material. Electric tools and electronic equipment that have reached the end of their life must be collected separately and returned to an environmentally compatible recycling facility. Check with your local authority or retailer for recycling advice and collection point.



Class II tool, tool in which protection against electric shock does not rely on basic insulation only, but in which additional safety precautions, such as double insulation or reinforced insulation, are provided. There being no provision for protective earthing or reliance upon installation conditions.



European Conformity Mark



Regulatory Compliance Mark (RCM). Product meets applicable regulatory requirements.



National mark of conformity Ukraine



EurAsian Conformity Mark.

TECHNISCHE DATEN

	BE 750 R	SBE 705 RE	SBE 705 RZ
Produktionsnummer	4491 61 04...	4428 31 04...	4494 91 04...
	...000001-999999	...000001-999999	...000001-999999
Nennaufnahmeleistung	750 W	705 W	705 W
Abgabeleistung	375 W	350 W	350 W
Leerlaufdrehzahl	0-3000 min ⁻¹	0-2800 min ⁻¹	0-2800 min ⁻¹
Lastdrehzahl max.	1450 min ⁻¹	1600 min ⁻¹	1600 min ⁻¹
Lastschlagzahl max.	- min ⁻¹	25600 min ⁻¹	25600 min ⁻¹
Statisches Blockiermoment *	27 Nm	25 Nm	25 Nm
Bohr-ø in Beton	15 mm	15 mm	15 mm
Bohr-ø in Ziegel und Kalksandstein	20 mm	20 mm	20 mm
Bohr-ø in Stahl	13 mm	13 mm	13 mm
Bohr-ø in Holz	30 mm	30 mm	30 mm
Bohrfutterspannbereich	1,5-13 mm	1,5-13 mm	1,5-13 mm
Bohrspindel	1/2"x20	1/2"x20	1/2"x20
Spannhals-ø	43 mm	43 mm	43 mm
Gewicht nach EPTA-Prozedur 01/2014	1,95 kg	1,95 kg	1,95 kg
* Gemessen nach AEG Norm N 877318			

Geräuschinformation

Messwerte ermittelt entsprechend EN 60 745.

Der A-bewertete Geräuschpegel des Gerätes beträgt typischerweise:

Als Bohrer/Schrauber:

Schalldruckpegel (Unsicherheit K=3dB(A))	81,5 dB (A)	81,5 dB (A)	81,5 dB (A)
Schalleistungspegel (Unsicherheit K=3dB(A))	92,5 dB (A)	92,5 dB (A)	92,5 dB (A)

Als Schlagbohrer:

Schalldruckpegel (Unsicherheit K=3dB(A))	-	89 dB (A)	89 dB (A)
Schalleistungspegel (Unsicherheit K=3dB(A))	-	100 dB (A)	100 dB (A)

Gehörschutz tragen!

Vibrationsinformationen

Schwingungsgesamtwerte (Vektorsumme dreier Richtungen) ermittelt entsprechend EN 60745.

Bohren in Metall

Schwingungsemissionswert a _{h,DS}	3,4 m/s ²	3,4 m/s ²	3,4 m/s ²
Unsicherheit K=	1,5 m/s ²	1,5 m/s ²	1,5 m/s ²

Schlagbohren in Beton

Schwingungsemissionswert a _{h,ID}	-	20,2 m/s ²	20,2 m/s ²
Unsicherheit K=	-	1,5 m/s ²	1,5 m/s ²

Schrauben

Schwingungsemissionswert a _h	2,5 m/s ²	2,5 m/s ²	2,5 m/s ²
Unsicherheit K=	1,5 m/s ²	1,5 m/s ²	1,5 m/s ²

TECHNISCHE DATEN

	SBE 750 RZ	SBE 750 RE	SBE 750 RES
Produktionsnummer	4428 41 04...	45 5701 03...	4497 83 04...
	...4494 96 04...	...4428 51 04...	...4494 96 04...
Nennaufnahmeleistung	750 W	750 W	750 W
Abgabeleistung	375 W	375 W	375 W
Leerlaufdrehzahl	0-3000 min ⁻¹	0-3000 min ⁻¹	0-3000 min ⁻¹
Lastdrehzahl max.	1450 min ⁻¹	1450 min ⁻¹	1450 min ⁻¹
Lastschlagzahl max.	23200 min ⁻¹	23200 min ⁻¹	23200 min ⁻¹
Statisches Blockiermoment *	27 Nm	27 Nm	27 Nm
Bohr-ø in Beton	16 mm	16 mm	16 mm
Bohr-ø in Ziegel und Kalksandstein	20 mm	20 mm	20 mm
Bohr-ø in Stahl	13 mm	13 mm	13 mm
Bohr-ø in Holz	30 mm	30 mm	30 mm
Bohrfutterspannbereich	1,5-13 mm	1,5-13 mm	1,5-13 mm
Bohrspindel	1/2"x20	1/2"x20	1/2"x20
Spannhals-ø	43 mm	43 mm	43 mm
Gewicht nach EPTA-Prozedur 01/2014	1,95 kg	1,95 kg	1,95 kg
* Gemessen nach AEG Norm N 877318			

Geräuschinformation

Messwerte ermittelt entsprechend EN 60 745.

Der A-bewertete Geräuschpegel des Gerätes beträgt typischerweise:

Als Bohrer/Schrauber:

Schalldruckpegel (Unsicherheit K=3dB(A))	81,5 dB (A)	81,5 dB (A)	81,5 dB (A)
Schalleistungspegel (Unsicherheit K=3dB(A))	92,5 dB (A)	92,5 dB (A)	92,5 dB (A)

Als Schlagbohrer:

Schalldruckpegel (Unsicherheit K=3dB(A))	89 dB (A)	89 dB (A)	89 dB (A)
Schalleistungspegel (Unsicherheit K=3dB(A))	100 dB (A)	100 dB (A)	100 dB (A)

Gehörschutz tragen!

Vibrationsinformationen

Schwingungsgesamtwerte (Vektorsumme dreier Richtungen) ermittelt entsprechend EN 60745.

Bohren in Metall

Schwingungsemissionswert a _{h,DS}	3,4 m/s ²	3,4 m/s ²	3,4 m/s ²
Unsicherheit K=	1,5 m/s ²	1,5 m/s ²	1,5 m/s ²

Schlagbohren in Beton

Schwingungsemissionswert a _{h,ID}	-	20,2 m/s ²	20,2 m/s ²
Unsicherheit K=	-	1,5 m/s ²	1,5 m/s ²

Schrauben

Schwingungsemissionswert a _h	2,5 m/s ²	2,5 m/s ²	2,5 m/s ²
Unsicherheit K=	1,5 m/s ²	1,5 m/s ²	1,5 m/s ²

WARNUNG

Der in diesen Anweisungen angegebene Schwingungspegel ist entsprechend einem in EN 60745 genormten Messverfahren gemessen worden und kann für den Vergleich von Elektrowerkzeugen miteinander verwendet werden. Er eignet sich auch für eine vorläufige Einschätzung der Schwingungsbelastung.

Der angegebene Schwingungspegel repräsentiert die hauptsächlichsten Anwendungen des Elektrowerkzeugs. Wenn allerdings das Elektrowerkzeug für andere Anwendungen, mit abweichenden Einsatzwerkzeugen oder ungenügender Wartung eingesetzt wird, kann der Schwingungspegel abweichen. Dies kann die Schwingungsbelastung über den gesamten Arbeitszeitraum deutlich erhöhen.

Für eine genaue Abschätzung der Schwingungsbelastung sollten auch die Zeiten berücksichtigt werden, in denen das Gerät abgeschaltet ist oder zwar läuft, aber nicht tatsächlich im Einsatz ist. Dies kann die Schwingungsbelastung über den gesamten Arbeitszeitraum deutlich reduzieren.

Legen Sie zusätzliche Sicherheitsmaßnahmen zum Schutz des Bedieners vor der Wirkung von Schwingungen fest wie zum Beispiel: Wartung von Elektrowerkzeug und Einsatzwerkzeugen, Warmhalten der Hände, Organisation der Arbeitsabläufe.

⚠️ WARNUNG! Lesen Sie alle Sicherheitshinweise und Anweisungen. Versäumnisse bei der Einhaltung der Sicherheitshinweise und Anweisungen können elektrischen Schlag, Brand und/oder schwere Verletzungen verursachen. **Bewahren Sie alle Sicherheitshinweise und Anweisungen für die Zukunft auf.**

⚠️ SICHERHEITSHINWEISE FÜR BOHRMASCHINEN / SCHLAGBOHRMASCHINEN

Tragen Sie Gehörschutz beim Schlagbohren. Die Einwirkung von Lärm kann Gehörverlust bewirken.

Benutzen Sie die mit dem Gerät gelieferten Zusatzhandgriffe, wenn diese mitgeliefert werden. Der Verlust der Kontrolle kann zu Verletzungen führen.

Halten Sie das Elektrowerkzeug nur an den isolierten Griffflächen, wenn Sie Arbeiten ausführen, bei denen das Einsatzwerkzeug verborgene Stromleitungen oder das eigene Netzkabel treffen kann. Der Kontakt mit einer spannungsführenden Leitung kann auch metallene Geräteteile unter Spannung setzen und zu einem elektrischen Schlag führen.

⚠️ SICHERHEITSHINWEISE FÜR SCHRAUBER

Halten Sie das Gerät an den isolierten Griffflächen, wenn Sie Arbeiten ausführen, bei denen das Einsatzwerkzeug verborgene Stromleitungen oder das eigene Kabel treffen kann. Der Kontakt der Schraube mit einer spannungsführenden Leitung kann metallene Geräteteile unter Spannung setzen und zu einem elektrischen Schlag führen.

WEITERE SICHERHEITS- UND ARBEITSHINWEISE

Schutzausrüstung verwenden. Beim Arbeiten mit der Maschine stets Schutzbrille tragen. Schutzkleidung wie Staubschutzmaske, Schutzhandschuhe, festes und rutschsicheres Schuhwerk, Helm und Gehörschutz werden empfohlen.

Beim Arbeiten entstehender Staub ist oft gesundheitsschädlich und sollte nicht in den Körper gelangen. Geeignete Staubschutzmaske tragen.

Es dürfen keine Materialien bearbeitet werden, von denen eine Gesundheitsgefährdung ausgeht (z.B. Asbest).

Beim Blockieren des Einsatzwerkzeuges bitte das Gerät sofort ausschalten! Schalten Sie das Gerät nicht wieder ein, solange das Einsatzwerkzeug blockiert ist; hierbei könnte ein Rückschlag mit hohem Reaktionsmoment entstehen.

Ermitteln und beheben Sie die Ursache für die Blockierung des Einsatzwerkzeuges unter Berücksichtigung der Sicherheitshinweise.

Mögliche Ursachen dafür können sein:

- Verkanten im zu bearbeitenden Werkstück
- Durchbrechen des zu bearbeitenden Materials
- Überlasten das Elektrowerkzeuges

Greifen Sie nicht in die laufende Maschine.

Das Einsatzwerkzeug kann während der Anwendung heiß werden.

⚠️ WARNUNG! Verbrennungsgefahr

- bei Werkzeugwechsel
- bei Ablegen des Gerätes

Späne oder Splinter dürfen bei laufender Maschine nicht entfernt werden.

Anschlusskabel stets vom Wirkungsbereich der Maschine fernhalten. Kabel immer nach hinten von der Maschine wegführen.

Beim Arbeiten in Wand, Decke oder Fußboden auf elektrische Kabel, Gas- und Wasserleitungen achten.

Sichern Sie Ihr Werkstück mit einer Spannvorrichtung. Nicht gesicherte Werkstücke können schwere Verletzungen und Beschädigungen verursachen.

Vor allen Arbeiten an der Maschine Stecker aus der Steckdose ziehen.

Bei großen Bohrdurchmessern muss der Zusatzhandgriff rechtwinklig zum Haupthandgriff befestigt werden (siehe auch im Bildteil, Abschnitt "Handgriff verdrehen").

BESTIMMUNGSGEMÄSSE VERWENDUNG

Der Elektronik-Schlagbohrer/Schrauber ist universell einsetzbar zum Bohren, Schlagbohren, Schrauben und Gewindeschneiden.

Dieses Gerät darf nur wie angegeben bestimmungsgemäß verwendet werden.

CE-KONFORMITÄTSERKLÄRUNG

Wir erklären in alleiniger Verantwortung, dass das unter „Technische Daten“ beschriebene Produkt mit alle relevanten Vorschriften der Richtlinie 2011/65/EU (RoHS), 2014/30/EU, 2006/42/EG und den folgenden harmonisierten normativen Dokumenten übereinstimmt:

EN 55014-1:2017
EN 60745-1:2009+A11:2010
EN 60745-2-1:2010
EN 60745-2-2:2010
EN 61000-3-3:2013
EN 61000-3-2:2014
EN 55014-2:2015
EN 50581:2012

Winnenden, 2018-02-26

Alexander Krug
Managing Director



Bevollmächtigt die technischen Unterlagen zusammenzustellen.

Techtronic Industries GmbH
Max-Eyth-Straße 10
71364 Winnenden
Germany

NETZANSCHLUSS

Steckdosen in Feuchträumen und Außenbereichen müssen mit Fehlerstrom-Schutzschaltern (FI, RCD, PRCD) ausgerüstet sein. Das verlangt die Installationsvorschrift für Ihre Elektroanlage. Bitte beachten Sie das bei der Verwendung unseres Gerätes.

Nur an Einphasen-Wechselstrom und nur an die auf dem Leistungsschild angegebene Netzspannung anschließen. Anschluss ist auch an Steckdosen ohne Schutzkontakt möglich, da ein Aufbau der Schutzklasse II vorliegt.

Gerät nur ausgeschaltet an die Steckdose anschließen.

WARTUNG

Stets die Lüftungsschlitze der Maschine sauber halten.

Bei häufigem Schlagbohrbetrieb sollte das Bohrfutter regelmäßig von Staub befreit werden. Hierzu die Maschine mit dem Bohrfutter senkrecht nach unten halten und das Bohrfutter über den gesamten Spannbereich öffnen und schließen. Der angesammelte Staub fällt so aus dem Bohrfutter.

Die regelmäßige Verwendung von Reinigungsspray an den Spannbacken und Spannbackenbohrungen wird empfohlen.

Wenn die Netzanschlussleitung beschädigt ist, muss diese durch eine Kundendienststelle ausgewechselt werden, um Gefährdungen zu vermeiden.

Nur AEG Zubehör und Ersatzteile verwenden. Bauteile, deren Austausch nicht beschrieben wurde, bei einer AEG Kundendienststelle auswechseln lassen (Broschüre Garantie/Kundendienstadressen beachten).

Bei Bedarf kann eine Explosionszeichnung des Gerätes unter Angabe der Maschinen Type und der sechsstelligen Nummer auf dem Leistungsschild bei Ihrer Kundendienststelle oder direkt bei Techtronic Industries GmbH, Max-Eyth-Straße 10, 71364 Winnenden, Germany angefordert werden.

SYMBOLE



ACHTUNG! WARNUNG! GEFAHR!



Vor allen Arbeiten an der Maschine Stecker aus der Steckdose ziehen.



Bitte lesen Sie die Gebrauchsanweisung vor Inbetriebnahme sorgfältig durch.



Zubehör - Im Lieferumfang nicht enthalten, empfohlene Ergänzung aus dem Zubehörprogramm.



Elektrogeräte dürfen nicht zusammen mit dem Hausmüll entsorgt werden. Elektrische und elektronische Geräte sind getrennt zu sammeln und zur umweltgerechten Entsorgung bei einem Verwertungsbetrieb abzugeben. Erkundigen Sie sich bei den örtlichen Behörden oder bei Ihrem Fachhändler nach Recyclinghöfen und Sammelstellen.



Elektrowerkzeug der Schutzklasse II. Elektrowerkzeug, bei dem der Schutz vor einem elektrischen Schlag nicht nur von der Basisisolierung abhängt, sondern auch davon, dass zusätzliche Schutzmaßnahmen, wie doppelte Isolierung oder verstärkte Isolierung, angewendet werden. Es gibt keine Vorrichtung zum Anschluss eines Schutzleiters.



CE-Zeichen



Regulatory Compliance Mark (RCM). Das Produkt erfüllt die geltenden Vorschriften.



Nationales Konformitätszeichen Ukraine



EurAsian Konformitätszeichen.

CARACTÉRISTIQUES TECHNIQUES	BE 750 R	SBE 705 RE	SBE 705 RZ
Numéro de série	4491 61 04... ...000001-999999	4428 31 04... ...000001-999999	4494 91 04... ...000001-999999
Puissance nominale de réception.....	750 W	705 W	705 W
Puissance utile	375 W	350 W	350 W
Vitesse de rotation à vide	0-3000 min ⁻¹	0-2800 min ⁻¹	0-2800 min ⁻¹
Vitesse de rotation en charge.....	1450 min ⁻¹	1600 min ⁻¹	1600 min ⁻¹
Perçage à percussioen charge max.....	- min ⁻¹	25600 min ⁻¹	25600 min ⁻¹
Moment de blocage statique *	27 Nm	25 Nm	25 Nm
Ø de perçage dans le béton	-	15 mm	15 mm
Ø de perçage dans brique et grès argillo-calcaire	-	20 mm	20 mm
Ø de perçage dans acier.....	13 mm	13 mm	13 mm
Ø de perçage dans bois tendre.....	30 mm	30 mm	30 mm
Plage de serrage du mandrin	1,5-13 mm	1,5-13 mm	1,5-13 mm
Broche de perçage	1/2"x20	1/2"x20	1/2"x20
Ø du collier de serrage.....	43 mm	43 mm	43 mm
Poids suivant EPTA-Procédure 01/2014	1,95 kg	1,95 kg	1,95 kg
* Mesuré selon la norme AEG N 877318			

Informations sur le bruit

Valeurs de mesure obtenues conformément à la EN 60 745.
Les mesures réelles (A) des niveaux acoustiques de l'appareil sont :

Comme perceuse/visseuse:			
Niveau de pression acoustique (Incertitude K=3dB(A))	81,5 dB (A)	81,5 dB (A)	81,5 dB (A)
Niveau d'intensité acoustique (Incertitude K=3dB(A))	92,5 dB (A)	92,5 dB (A)	92,5 dB (A)
Comme perceuse à percussioen:			
Niveau de pression acoustique (Incertitude K=3dB(A))	-	89 dB (A)	89 dB (A)
Niveau d'intensité acoustique (Incertitude K=3dB(A))	-	100 dB (A)	100 dB (A)

Toujours porter une protection acoustique!

Informations sur les vibrations

Valeurs totales des vibrations (somme vectorielle de trois sens) établies conformément à EN 60745.

Perçage dans le métal			
Valeur d'émission vibratoire a _{h,DS}	3,4 m/s ²	3,4 m/s ²	3,4 m/s ²
Incertitude K=.....	1,5 m/s ²	1,5 m/s ²	1,5 m/s ²
Perçage à percussioen dans le béton			
Valeur d'émission vibratoire a _{h,1D}	-	20,2 m/s ²	20,2 m/s ²
Incertitude K=.....	-	1,5 m/s ²	1,5 m/s ²
Vissage			
Valeur d'émission vibratoire a _v	2,5 m/s ²	2,5 m/s ²	2,5 m/s ²
Incertitude K=.....	1,5 m/s ²	1,5 m/s ²	1,5 m/s ²

CARACTÉRISTIQUES TECHNIQUES	SBE 750 RZ	SBE 750 RE	SBE 750 RES
Numéro de série	4428 41 04... ...000001-999999	4428 51 04... ...000001-999999	4497 83 04... ...000001-999999
Puissance nominale de réception.....	750 W	750 W	750 W
Puissance utile	375 W	375 W	375 W
Vitesse de rotation à vide	0-3000 min ⁻¹	0-3000 min ⁻¹	0-3000 min ⁻¹
Vitesse de rotation en charge.....	1450 min ⁻¹	1450 min ⁻¹	1450 min ⁻¹
Perçage à percussioen charge max.....	23200 min ⁻¹	23200 min ⁻¹	23200 min ⁻¹
Moment de blocage statique *	27 Nm	27 Nm	27 Nm
Ø de perçage dans le béton	16 mm	16 mm	16 mm
Ø de perçage dans brique et grès argillo-calcaire	20 mm	20 mm	20 mm
Ø de perçage dans acier.....	13 mm	13 mm	13 mm
Ø de perçage dans bois tendre.....	30 mm	30 mm	30 mm
Plage de serrage du mandrin	1,5-13 mm	1,5-13 mm	1,5-13 mm
Broche de perçage	1/2"x20	1/2"x20	1/2"x20
Ø du collier de serrage.....	43 mm	43 mm	43 mm
Poids suivant EPTA-Procédure 01/2014	1,95 kg	1,95 kg	1,95 kg
* Mesuré selon la norme AEG N 877318			

Informations sur le bruit

Valeurs de mesure obtenues conformément à la EN 60 745.
Les mesures réelles (A) des niveaux acoustiques de l'appareil sont :

Comme perceuse/visseuse:			
Niveau de pression acoustique (Incertitude K=3dB(A))	81,5 dB (A)	81,5 dB (A)	81,5 dB (A)
Niveau d'intensité acoustique (Incertitude K=3dB(A))	92,5 dB (A)	92,5 dB (A)	92,5 dB (A)
Comme perceuse à percussioen:			
Niveau de pression acoustique (Incertitude K=3dB(A))	89 dB (A)	89 dB (A)	89 dB (A)
Niveau d'intensité acoustique (Incertitude K=3dB(A))	100 dB (A)	100 dB (A)	100 dB (A)

Toujours porter une protection acoustique!

Informations sur les vibrations

Valeurs totales des vibrations (somme vectorielle de trois sens) établies conformément à EN 60745.

Perçage dans le métal			
Valeur d'émission vibratoire a _{h,DS}	3,4 m/s ²	3,4 m/s ²	3,4 m/s ²
Incertitude K=.....	1,5 m/s ²	1,5 m/s ²	1,5 m/s ²
Perçage à percussioen dans le béton			
Valeur d'émission vibratoire a _{h,1D}	20,2 m/s ²	20,2 m/s ²	20,2 m/s ²
Incertitude K=.....	1,5 m/s ²	1,5 m/s ²	1,5 m/s ²
Vissage			
Valeur d'émission vibratoire a _v	2,5 m/s ²	2,5 m/s ²	2,5 m/s ²
Incertitude K=.....	1,5 m/s ²	1,5 m/s ²	1,5 m/s ²

AVERTISSEMENT

Le niveau vibratoire indiqué dans ces instructions a été mesuré selon un procédé de mesure normalisé dans la norme EN 60745 et peut être utilisé pour comparer des outils électriques entre eux. Il convient aussi à une estimation provisoire de la sollicitation par les vibrations.

Le niveau vibratoire indiqué représente les applications principales de l'outil électrique. Toutefois, si l'outil électrique est utilisé pour d'autres applications, avec des outils rapportés qui diffèrent ou une maintenance insuffisante, il se peut que le niveau vibratoire diverge. Cela peut augmenter nettement la sollicitation par les vibrations sur tout l'intervalle de temps du travail.

Pour une estimation précise de la sollicitation par les vibrations, on devrait également tenir compte des temps pendant lesquels l'appareil nest pas en marche ou tourne sans être réellement en service. Cela peut réduire nettement la sollicitation par les vibrations sur tout l'intervalle de temps du travail.

Définissez des mesures de sécurité supplémentaires pour protéger l'utilisateur contre l'influence des vibrations, comme par exemple : la maintenance de l'outil électrique et des outils rapportés, le maintien au chaud des mains, l'organisation des déroulements de travail.

⚠ AVIS! Lire complètement les instructions et les indications de sécurité.

Le non-respect des avertissements et instructions indiqués ci après peut entraîner un choc électrique, un incendie et/ou de graves blessures sur les personnes.

Bien garder tous les avertissements et instructions.

⚠ INDICATIONS DE SÉCURITÉ POUR VISSEUSES À PERCUSSION

Porter un casque de protection au cours du perçage à percussioen. L'exposition au bruit pourrait provoquer une diminution de l'ouïe.

Utilisez les poignées supplémentaires livrées en même temps que l'appareil. La perte de contrôle peut mener à des blessures.

Maintenez l'appareil par les surfaces de poignée isolées lorsque vous exécutez des travaux pendant lesquels l'outil de coupe peut toucher des lignes électriques dissimulées ou le propre câble. Le contact de l'outil de coupe avec un câble qui conduit la tension peut mettre les pièces métalliques de l'appareil sous tension et mener à une décharge électrique.

⚠ INDICATIONS DE SÉCURITÉ POUR VISSEUSES

En cas de travaux pendant lesquels l'outil employé pourrait toucher des câbles de courant cachés ou son câble d'alimentation, manier l'appareil à l'aide des surfaces de prise isolées. Le contact de la vis avec un câble qui conduit la tension peut mettre des parties d'appareil en métal sous tension et mener à une décharge électrique.

AVIS COMPLÉMENTAIRES DE SÉCURITÉ ET DE TRAVAIL

Utiliser l'équipement de protection. Toujours porter des lunettes de protection pendant le travail avec la machine. Il est recommandé de porter des articles de protection, tels que masque antipoussière, gants de protection, chaussures tenant bien aux pieds et antidérapantes, casque et protection acoustique.

Les poussières qui sont dégagées pendant les travaux sont souvent nocives pour la santé et ne devraient pas pénétrer dans le corps. Porter un masque de protection approprié contre les poussières.

Il est interdit de travailler des matériaux dangereux pour la santé (par ex. amiante).

Désactiver immédiatement le dispositif en cas de blocage ! Ne pas réactiver le dispositif avec l'outil bloqué; il y a le risque de provoquer un contre-coup avec moment de réaction élevé. Établir et éliminer la cause du blocage de l'outil en prêtant attention aux consignes de sécurité.

Les causes possibles sont :

- Encastrement dans la pièce à travailler.
- Le dispositif a traversé le matériau à travailler en le cassant.
- Le dispositif électrique a été surchargé.

Ne pas approcher les mains de la partie en mouvement de la machine.

Durant l'utilisation, l'outil peut se surchauffer.

AVERTISSEMENT! Danger de brûlures

- durant le remplacement de l'outil
- durant la dépose de l'outil

Ne jamais enlever les copeaux ni les éclats lorsque la machine est en marche.

Le câble d'alimentation doit toujours se trouver en dehors du champ d'action de la machine. Toujours maintenir le câble d'alimentation à l'arrière de la machine.

Lors du perçage dans les murs, les plafonds ou les planchers, toujours faire attention aux câbles électriques et aux conduites de gaz et d'eau.

Fixer fermement la pièce en exécution à l'aide d'un dispositif de serrage. Des pièces en exécution non fermement fixées peuvent provoquer des dommages et des lésions graves.

Avant tous travaux sur la machine extraire la fiche de la prise de courant.

Pour effectuer de grands diamètres de perçage, la poignée supplémentaire doit être montée perpendiculairement à la poignée principale. Voir aussi les figures se trouvant dans le chapitre « Ajustement de la poignée ».

UTILISATION CONFORME AUX PRESCRIPTIONS

La visseuse/perceuse à percussioen électronique est conçue pour un travail universel de perçage normal, de perçage à percussioen, de vissage et de filetage.

Comme déjà indiqué, cette machine n'est conçue que pour être utilisée conformément aux prescriptions.

DECLARATION CE DE CONFORMITE

Nous déclarons sous notre propre responsabilité que le produit décrit aux „Données techniques“ est conforme à toutes les dispositions des directives 2011/65/EU (RoHS), 2014/30/UE, 2006/42/CE et des documents normatifs harmonisés suivants:

EN 55014-1:2017
EN 60745-1:2009+A11:2010
EN 60745-2-1:2010
EN 60745-2-2:2010
EN 61000-3-3:2013
EN 61000-3-2:2014
EN 55014-2:2015
EN 50581:2012

Winnenden, 2018-02-26


Alexander Krug
Managing Director



Autorisé à compiler la documentation technique.

Techtronic Industries GmbH
Max-Eyth-Straße 10
71364 Winnenden
Germany

BRANCHEMENT SECTEUR

Les prises de courant se trouvant à l'extérieur doivent être équipées de disjoncteurs différentiel (FI, RCD, PRCD) conformément aux prescriptions de mise en place de votre installation électrique. Veuillez en tenir compte lors de l'utilisation de notre appareil.

Raccorder uniquement à un courant électrique monophasé et uniquement à la tension secteur indiquée sur la plaque signalétique. Le raccordement à des prises de courant sans contact de protection est également possible car la classe de protection II est donnée.

Ne relier l'appareil à la prise de courant que lorsqu'il est débranché.

ENTRETIEN

Tenir toujours propres les orifices de ventilation de la machine.

Au cas où la machine serait souvent utilisée en mode de percussion, il est recommandé d'enlever les poussières se trouvant dans le mandrin de serrage à intervalles réguliers. Tenir la machine dans la position verticale, le mandrin de serrage vers le bas, et desserrer et resserrer le plus possible le mandrin de serrage. Toute la poussière accumulée tombe ainsi du mandrin de serrage.

Il est recommandé d'utiliser régulièrement le spray de nettoyage (N° Id. 4932 6217 19) sur les mâchoires et les alésages des mâchoires de serrage.

Si le câble de raccordement au réseau secteur est endommagé, celui-ci doit être remplacé par un centre de service après-vente, pour éviter les risques.

N'utiliser que des pièces et accessoires AEG. Pour des pièces dont l'échange n'est pas décrit, s'adresser de préférence aux stations de service après-vente AEG (voir brochure Garantie/Adresses des stations de service après-vente).

Si besoin est, une vue éclatée de l'appareil peut être fournie. S'adresser, en indiquant bien le numéro porté sur la plaque signalétique, à votre station de service après-vente (voir liste jointe) ou directement à Techtronic Industries GmbH, Max-Eyth-Straße 10, 71364 Winnenden, Germany.

SYMBOLS



ATTENTION! AVERTISSEMENT! DANGER!



Avant tous travaux sur la machine extraire la fiche de la prise de courant.



Veuillez lire avec soin le mode d'emploi avant la mise en service



Accessoires - Ces pièces ne font pas partie de la livraison. Il s'agit là de compléments recommandés pour votre machine et énumérés dans le catalogue des accessoires.



Les dispositifs électriques ne sont pas à éliminer dans les déchets ménagers. Les dispositifs électriques et électroniques sont à collecter séparément et à remettre à un centre de recyclage en vue de leur élimination dans le respect de l'environnement. S'adresser aux autorités locales ou au détaillant spécialisé en vue de connaître l'emplacement des centres de recyclage et des points de collecte.



Outil électrique en classe de protection II. Outil électrique équipé d'une protection contre la fulguration électrique qui ne dépend seulement de l'isolation de base mais aussi de l'application d'autres mesures de protection telles qu'une double isolation ou une isolation augmentée. La connexion d'un conducteur de protection n'est pas prédisposée.



Marque CE



Regulatory Compliance Mark (RCM). Le produit est conforme aux prescriptions en vigueur.



Symbole national de conformité Ukraine



Marque de qualité EurAsian

DATI TECNICI

	BE 750 R	SBE 705 RE	SBE 705 RZ
Numero di serie	4491 61 04... ...000001-999999	4428 31 04... ...000001-999999	4494 91 04... ...000001-999999
Potenza assorbita nominale	750 W	705 W	705 W
Potenza erogata	375 W	350 W	350 W
Numero di giri a vuoto	0-3000 min ⁻¹	0-2800 min ⁻¹	0-2800 min ⁻¹
Numero di giri a carico, max.	1450 min ⁻¹	1600 min ⁻¹	1600 min ⁻¹
Percussione a pieno carico, max.	- min ⁻¹	25600 min ⁻¹	25600 min ⁻¹
Momento di bloccaggio statico *	27 Nm	25 Nm	25 Nm
Ø Foratura in calcestruzzo	15 mm	15 mm	15 mm
Ø Foratura in mattone e in arenaria calcarea	20 mm	20 mm	20 mm
Ø Foratura in acciaio	13 mm	13 mm	13 mm
Ø Foratura in legno tenero	30 mm	30 mm	30 mm
Capacità mandrino	1,5-13 mm	1,5-13 mm	1,5-13 mm
Attacco mandrino	1/2"x20	1/2"x20	1/2"x20
Ø collarino di fissaggio	43 mm	43 mm	43 mm
Peso secondo la procedura EPTA 01/2014	1,95 kg	1,95 kg	1,95 kg

Informazioni sulla rumorosità

Valori misurati conformemente alla norma EN 60 745.

La misurazione A del livello di pressione acustica dell'utensile è di solito di:

Come trapano/avvitatore:

Livello di rumorosità (Incertezza della misura K=3dB(A))	81,5 dB (A)	81,5 dB (A)	81,5 dB (A)
Potenza della rumorosità (Incertezza della misura K=3dB(A))	92,5 dB (A)	92,5 dB (A)	92,5 dB (A)

Come trapano a percussione:

Livello di rumorosità (Incertezza della misura K=3dB(A))	-	89 dB (A)	89 dB (A)
Potenza della rumorosità (Incertezza della misura K=3dB(A))	-	100 dB (A)	100 dB (A)

Utilizzare le protezioni per l'udito!

Informazioni sulle vibrazioni

Valori totali delle oscillazioni (somma di vettori in tre direzionimisurati conformemente alla norma EN 60745

Perforazione in metallo

Valore di emissione dell'oscillazione a _{n,DS}	3,4 m/s ²	3,4 m/s ²	3,4 m/s ²
Incertezza della misura K=	1,5 m/s ²	1,5 m/s ²	1,5 m/s ²

Perforazione a percussione

Valore di emissione dell'oscillazione a _{n,ID}	20,2 m/s ²	20,2 m/s ²	20,2 m/s ²
Incertezza della misura K=	1,5 m/s ²	1,5 m/s ²	1,5 m/s ²

Avvitatura

Valore di emissione dell'oscillazione a _n	2,5 m/s ²	2,5 m/s ²	2,5 m/s ²
Incertezza della misura K=	1,5 m/s ²	1,5 m/s ²	1,5 m/s ²

DATI TECNICI

	SBE 750 RZ	SBE 750 RE	SBE 750 RES
Numero di serie	4428 41 04... 4494 96 04...	4428 51 04... 4494 96 04...	4497 83 04...
Potenza assorbita nominale	750 W	750 W	750 W
Potenza erogata	375 W	375 W	375 W
Numero di giri a vuoto	0-3000 min ⁻¹	0-3000 min ⁻¹	0-3000 min ⁻¹
Numero di giri a carico, max.	1450 min ⁻¹	1450 min ⁻¹	1450 min ⁻¹
Percussione a pieno carico, max.	23200 min ⁻¹	23200 min ⁻¹	23200 min ⁻¹
Momento di bloccaggio statico *	27 Nm	27 Nm	27 Nm
Ø Foratura in calcestruzzo	16 mm	16 mm	16 mm
Ø Foratura in mattone e in arenaria calcarea	20 mm	20 mm	20 mm
Ø Foratura in acciaio	13 mm	13 mm	13 mm
Ø Foratura in legno tenero	30 mm	30 mm	30 mm
Capacità mandrino	1,5-13 mm	1,5-13 mm	1,5-13 mm
Attacco mandrino	1/2"x20	1/2"x20	1/2"x20
Ø collarino di fissaggio	43 mm	43 mm	43 mm
Peso secondo la procedura EPTA 01/2014	1,95 kg	1,95 kg	1,95 kg

Informazioni sulla rumorosità

Valori misurati conformemente alla norma EN 60 745.

La misurazione A del livello di pressione acustica dell'utensile è di solito di:

Come trapano/avvitatore:

Livello di rumorosità (Incertezza della misura K=3dB(A))	81,5 dB (A)	81,5 dB (A)	81,5 dB (A)
Potenza della rumorosità (Incertezza della misura K=3dB(A))	92,5 dB (A)	92,5 dB (A)	92,5 dB (A)

Come trapano a percussione:

Livello di rumorosità (Incertezza della misura K=3dB(A))	89 dB (A)	89 dB (A)	89 dB (A)
Potenza della rumorosità (Incertezza della misura K=3dB(A))	100 dB (A)	100 dB (A)	100 dB (A)

Utilizzare le protezioni per l'udito!

Informazioni sulle vibrazioni

Valori totali delle oscillazioni (somma di vettori in tre direzionimisurati conformemente alla norma EN 60745

Perforazione in metallo

Valore di emissione dell'oscillazione a _{n,DS}	3,4 m/s ²	3,4 m/s ²	3,4 m/s ²
Incertezza della misura K=	1,5 m/s ²	1,5 m/s ²	1,5 m/s ²

Perforazione a percussione

Valore di emissione dell'oscillazione a _{n,ID}	20,2 m/s ²	20,2 m/s ²	20,2 m/s ²
Incertezza della misura K=	1,5 m/s ²	1,5 m/s ²	1,5 m/s ²

Avvitatura

Valore di emissione dell'oscillazione a _n	2,5 m/s ²	2,5 m/s ²	2,5 m/s ²
Incertezza della misura K=	1,5 m/s ²	1,5 m/s ²	1,5 m/s ²

AVVERTENZA

Il livello di vibrazioni indicato nelle presenti istruzioni è stato misurato in conformità con un procedimento di misurazione codificato nella EN 60745 e può essere utilizzato per un confronto tra attrezzi elettrici. Inoltre si può anche utilizzare per una valutazione preliminare della sollecitazione da vibrazioni.

Il livello di vibrazioni indicato rappresenta le applicazioni principali dell'attrezzo elettrico. Se viceversa si utilizza l'attrezzo elettrico per altri scopi, con accessori differenti o con una manutenzione insufficiente, il livello di vibrazioni può risultare diverso. E questo può aumentare decisamente la sollecitazione da vibrazioni lungo l'intero periodo di lavorazione.

Ai fini di una valutazione precisa della sollecitazione da vibrazioni si dovrebbero tenere presente anche i periodi in cui l'apparecchio rimane spento oppure, anche se acceso, non viene effettivamente utilizzato. Ciò può ridurre notevolmente la sollecitazione da vibrazioni lungo l'intero periodo di lavorazione.

Stabilite misure di sicurezza supplementari per la tutela dell'operatore dall'effetto delle vibrazioni, come ad esempio: manutenzione dell'attrezzo elettrico e degli accessori, riscaldamento delle mani, organizzazione dei processi di lavoro.

AVVERTENZA! Leggere tutte le istruzioni ed indicazioni di sicurezza. In caso di mancato rispetto delle avvertenze di pericolo e delle istruzioni operative si potrà creare il pericolo di scosse elettriche, incendi e/o incidenti gravi.

Conservare tutte le avvertenze di pericolo e le istruzioni operative per ogni esigenza futura.

INDICAZIONI DI SICUREZZA PER TRAPANO A PERCUSSIONE

Indossare cuffie protettive durante la trapanatura a percussione. L'esposizione al rumore potrebbe comportare una riduzione dell'udito.

Utilizzare l'utensile con la sua impugnatura supplementare. La perdita di controllo potrebbe causare danneggiamenti all'utilizzatore.

Impugnare l'apparecchio sulle superfici di tenuta isolate mentre si eseguono lavori durante i quali l'utensile da taglio potrebbe entrare in contatto con cavi di corrente o con il proprio cavo d'alimentazione. L'eventuale contatto dell'utensile da taglio con un cavo sotto tensione potrebbe mettere sotto tensione le parti metalliche dell'apparecchio e provocare una folgorazione.

INDICAZIONI DI SICUREZZA PER AVVITATORI

Impugnare l'apparecchio sulle superfici di presa isolate quando eseguite lavori durante i quali l'utensile utilizzato potrebbe entrare in contatto con cavi di corrente nascosti o con il proprio cavo di alimentazione. La vite che entra in contatto con una conduttura in tensione può mettere sotto tensione le parti metalliche dell'apparecchio e causare scosse elettriche.

ULTERIORI AVVISI DI SICUREZZA E DI LAVORO

Usare dispositivi di protezione. Durante il lavoro con la macchina bisogna sempre portare occhiali di protezione. Si consiglia di indossare indumenti di protezione come maschera antipolvere, guanti di protezione, scarpe antiscivolo robuste, casco e cuffie di protezione acustica.

La polvere che si produce durante il lavoro è spesso dannosa per la salute e non dovrebbe essere aspirata. Portare un'adeguata mascherina protettiva.

E' vietato lavorare materiali che possono costituire pericoli alla salute (ad es. amianto).

Spegnere immediatamente il dispositivo in caso di bloccaggio! Non riaccendere il dispositivo fino a quando

l'utensile ad inserto resta bloccato; esiste il rischio di causare un contraccolpo con elevato momento di reazione. Rilevare ed eliminare la causa del bloccaggio dell'utensile ad inserto tenendo conto delle indicazioni di sicurezza.

Le possibili cause sono:

- Incastro nel pezzo in lavorazione
- Il dispositivo ha attraversato il materiale da lavorare rompendolo
- Il dispositivo elettrico è stato sovraccaricato

Non avvicinare le mani alla parte della macchina in movimento.

Durante l'uso l'utensile ad inserto può surriscaldarsi.

- AVVERTENZA!** Pericolo di ustioni
- durante la sostituzione dell'utensile
 - durante il deposito dell'utensile

Non rimuovere trucioli o schegge mentre l'utensile è in funzione.

Tenere sempre lontano il cavo di collegamento dall'area di lavoro dell'attrezzo.

Forando pareti, soffitti o pavimenti, si faccia attenzione ai cavi elettrici e alle condutture dell'acqua e del gas.

Fissare in sicurezza il pezzo in lavorazione con un dispositivo di serraggio. Pezzi in lavorazione che non siano fissati in sicurezza possono causare gravi lesioni e danni.

Prima di effettuare qualsiasi lavoro sulla macchina togliere la spina dalla presa di corrente.

Quando si lavora con punte di grande diametro, l'impugnatura supplementare deve essere ben fissata ad angolo retto con l'impugnatura principale (vedere figura Sezione "Inserire l'impugnatura").

UTILIZZO CONFORME

Il trapano a percussione/avvitatore elettronico può essere utilizzato per forare, forare a percussione, per avvitare e per filettare.

Utilizzare il prodotto solo per l'uso per cui è previsto.

DICHIARAZIONE DI CONFORMITÀ CE

Dichiaro sotto la nostra esclusiva responsabilità che il prodotto descritto ai „Dati tecnici“ corrisponde a tutte le disposizioni delle direttive 2011/65/EU (RoHS), 2014/30/UE, 2006/42/CE e successivi documenti normativi armonizzati:

EN 55014-1:2017
EN 60745-1:2009+A11:2010
EN 60745-2-1:2010
EN 60745-2-2:2010
EN 60745-3-3:2013
EN 61000-3-2:2014
EN 55014-2:2015
EN 50581:2012

Winnenden, 2018-02-26



Alexander Krug
Managing Director



Autorizzato alla preparazione della documentazione tecnica

Techtronic Industries GmbH
Max-Eyth-Straße 10
71364 Winnenden
Germany

COLLEGAMENTO ALLA RETE

Gli apparecchi mobili usati all'aperto devono essere collegati interponendo un interruttore di sicurezza (FI, RCD, PRCD) per guasti di corrente.

Connettere solo corrente alternata mono fase e solo al sistema di voltaggio indicato sulla piastra. E' possibile anche connettere la presa senza un contatto di messa a terra così come prevede lo schema conforme alla norme di sicurezza di classe II.

Inserire la spina nella presa di corrente solo ad apparecchio spento

MANUTENZIONE

Tener sempre ben pulite le fessure di ventilazione dell'apparecchio.

Se la macchina è prevalentemente usata per trapanatura a percussione, rimuovere regolarmente la polvere dal mandrino. Per rimuovere la polvere tenere la macchina con il mandrino verso il basso in posizione verticale e aprire e chiudere completamente il mandrino. La polvere cadrà dal mandrino.

Si raccomanda un uso regolare di pulitori (Id. No. 4932 6217 19) per le ganasce e le fessure delle ganasce.

Se il cavo di allacciamento elettrico è danneggiato, deve essere immediatamente sostituito dal punto di servizio assistenza, perché allo scopo serve un utensile speciale.

Utilizzare esclusivamente accessori e pezzi di ricambio AEG. L'installazione di pezzi di ricambio non specificamente prescritti dall'AEG va preferibilmente effettuata dal servizio di assistenza clienti AEG (ved. opuscolo Garanzia/Indirizzi Assistenza tecnica).

In caso di mancanza del disegno esploso, può essere richiesto al seguente indirizzo: Techtronic Industries GmbH, Max-Eyth-Straße 10, 71364 Winnenden, Germany.

SIMBOLI



ATTENZIONE! AVVERTENZA! PERICOLO!



Prima di effettuare qualsiasi lavoro sulla macchina togliere la spina dalla presa di corrente.



Leggere attentamente le istruzioni per l'uso prima di mettere in funzione l'elettro utensile.



Accessorio - Non incluso nella dotazione standard, disponibile a parte come accessorio.



I dispositivi elettrici non devono essere smaltiti con i rifiuti domestici. I dispositivi elettrici ed elettronici devono essere raccolti separatamente e devono essere conferiti ad un centro di riciclaggio per lo smaltimento rispettoso dell'ambiente. Chiedere alle autorità locali o al rivenditore specializzato dove si trovano i centri di riciclaggio e i punti di raccolta.



Utensile elettrico di classe di protezione II. Utensile elettrico sul quale la protezione contro la folgorazione elettrica non dipende soltanto dall'isolamento di base, ma anche dall'applicazione di ulteriori misure di protezione, come il doppio isolamento o l'isolamento maggiorato. Non è predisposto il collegamento di un conduttore di protezione.



Marchio CE



Regulatory Compliance Mark (RCM). Il prodotto soddisfa le prescrizioni in vigore.



Simbolo di conformità nazionale Ucraina



Marchio di conformità EurAsian

DATOS TÉCNICOS	BE 750 R	SBE 705 RE	SBE 705 RZ
Número de producción	4491 61 04...	4428 31 04...	4494 91 04...
Potencia de salida nominal	750 W	705 W	705 W
Potencia entregada	375 W	350 W	350 W
Velocidad en vacío	0-3000 min ⁻¹	0-2800 min ⁻¹	0-2800 min ⁻¹
Velocidades en carga max.	1450 min ⁻¹	1600 min ⁻¹	1600 min ⁻¹
Frecuencia de impactos bajo carga	- min ⁻¹	25600 min ⁻¹	25600 min ⁻¹
Par de bloqueo estático *	27 Nm	25 Nm	25 Nm
Diámetro de taladrado en hormigón	-	15 mm	15 mm
Diámetro de taladrado ladrillo y losetas	-	20 mm	20 mm
Diámetro de taladrado en acero	13 mm	13 mm	13 mm
Diámetro de taladrado en madera blanca	30 mm	30 mm	30 mm
Gama de apertura del portabrocas	1,5-13 mm	1,5-13 mm	1,5-13 mm
Eje de accionamiento	1/2"x20	1/2"x20	1/2"x20
Diámetro de cuello de amarre	43 mm	43 mm	43 mm
Peso de acuerdo con el procedimiento EPTA 01/2014	1,95 kg	1,95 kg	1,95 kg

* Medido según norma AEG N 877318

Información sobre ruidos

Determinación de los valores de medición según norma EN 60 745. El nivel de ruido típico del aparato determinado con un filtro A corresponde a:

Como taladro/atomillador:

Presión acústica (Tolerancia K=3dB(A))	81,5 dB (A)	81,5 dB (A)	81,5 dB (A)
Resonancia acústica (Tolerancia K=3dB(A))	92,5 dB (A)	92,5 dB (A)	92,5 dB (A)

Como taladro de percusión:

Presión acústica (Tolerancia K=3dB(A))	-	89 dB (A)	89 dB (A)
Resonancia acústica (Tolerancia K=3dB(A))	-	100 dB (A)	100 dB (A)

Usar protectores auditivos!

Informaciones sobre vibraciones

Nivel total de vibraciones (suma vectorial de tres direcciones) determinado según EN 60745.

Taladrado en metal	SBE 750 RZ	SBE 750 RE	SBE 750 RES
Valor de vibraciones generadas a _{n,DS}	3,4 m/s ²	3,4 m/s ²	3,4 m/s ²
Tolerancia K=	1,5 m/s ²	1,5 m/s ²	1,5 m/s ²
Taladrado de percusión			
Valor de vibraciones generadas a _{n,ID}	20,2 m/s ²	20,2 m/s ²	20,2 m/s ²
Tolerancia K=	1,5 m/s ²	1,5 m/s ²	1,5 m/s ²
Tornillos			
Valor de vibraciones generadas a _n	2,5 m/s ²	2,5 m/s ²	2,5 m/s ²
Tolerancia K=	1,5 m/s ²	1,5 m/s ²	1,5 m/s ²

DATOS TÉCNICOS	SBE 750 RZ	SBE 750 RE	SBE 750 RES
Número de producción	4428 41 04...	45 5701 03...	4497 83 04...
Potencia de salida nominal	750 W	750 W	750 W
Potencia entregada	375 W	375 W	375 W
Velocidad en vacío	0-3000 min ⁻¹	0-3000 min ⁻¹	0-3000 min ⁻¹
Velocidades en carga max.	1450 min ⁻¹	1450 min ⁻¹	1450 min ⁻¹
Frecuencia de impactos bajo carga	23200 min ⁻¹	23200 min ⁻¹	23200 min ⁻¹
Par de bloqueo estático *	27 Nm	27 Nm	27 Nm
Diámetro de taladrado en hormigón	16 mm	16 mm	16 mm
Diámetro de taladrado ladrillo y losetas	20 mm	20 mm	20 mm
Diámetro de taladrado en acero	13 mm	13 mm	13 mm
Diámetro de taladrado en madera blanca	30 mm	30 mm	30 mm
Gama de apertura del portabrocas	1,5-13 mm	1,5-13 mm	1,5-13 mm
Eje de accionamiento	1/2"x20	1/2"x20	1/2"x20
Diámetro de cuello de amarre	43 mm	43 mm	43 mm
Peso de acuerdo con el procedimiento EPTA 01/2014	1,95 kg	1,95 kg	1,95 kg

Información sobre ruidos

Determinación de los valores de medición según norma EN 60 745. El nivel de ruido típico del aparato determinado con un filtro A corresponde a:

Como taladro/atomillador:

Presión acústica (Tolerancia K=3dB(A))	81,5 dB (A)	81,5 dB (A)	81,5 dB (A)
Resonancia acústica (Tolerancia K=3dB(A))	92,5 dB (A)	92,5 dB (A)	92,5 dB (A)

Como taladro de percusión:

Presión acústica (Tolerancia K=3dB(A))	89 dB (A)	89 dB (A)	89 dB (A)
Resonancia acústica (Tolerancia K=3dB(A))	100 dB (A)	100 dB (A)	100 dB (A)

Usar protectores auditivos!

Informaciones sobre vibraciones

Nivel total de vibraciones (suma vectorial de tres direcciones) determinado según EN 60745.

Taladrado en metal	SBE 750 RZ	SBE 750 RE	SBE 750 RES
Valor de vibraciones generadas a _{n,DS}	3,4 m/s ²	3,4 m/s ²	3,4 m/s ²
Tolerancia K=	1,5 m/s ²	1,5 m/s ²	1,5 m/s ²
Taladrado de percusión			
Valor de vibraciones generadas a _{n,ID}	20,2 m/s ²	20,2 m/s ²	20,2 m/s ²
Tolerancia K=	1,5 m/s ²	1,5 m/s ²	1,5 m/s ²
Tornillos			
Valor de vibraciones generadas a _n	2,5 m/s ²	2,5 m/s ²	2,5 m/s ²
Tolerancia K=	1,5 m/s ²	1,5 m/s ²	1,5 m/s ²

ADVERTENCIA

El nivel vibratorio indicado en estas instrucciones ha sido medido conforme a un método de medición estandarizado en la norma EN 60745, y puede utilizarse para la comparación entre herramientas eléctricas. También es apropiado para una estimación provisional de la carga de vibración.

El nivel vibratorio indicado representa las aplicaciones principales de la herramienta eléctrica. Si, pese a ello, se utiliza la herramienta eléctrica para otras aplicaciones, con útiles adaptables diferentes o con un mantenimiento insuficiente, el nivel vibratorio puede diferir. Esto puede incrementar sensiblemente la carga de vibración durante todo el periodo de trabajo.

Para una estimación exacta de la carga de vibración deberían tenerse en cuenta también los tiempos durante los que el aparato está apagado o, pese a estar en funcionamiento, no está siendo realmente utilizado. Esto puede reducir sustancialmente la carga de vibración durante todo el periodo de trabajo.

Adopte medidas de seguridad adicionales para la protección del operador frente al efecto de las vibraciones, como por ejemplo: mantenimiento de la herramienta eléctrica y de los útiles adaptables, mantener las manos calientes, organización de los procesos de trabajo.

ATENCIÓN: Lea atentamente las indicaciones e instrucciones de seguridad. En caso de no atenderse a las advertencias de peligro e instrucciones siguientes, ello puede ocasionar una descarga eléctrica, un incendio y/o lesión grave.

Guardar todas las advertencias de peligro e instrucciones para futuras consultas.

INSTRUCCIONES DE SEGURIDAD PARA TALADRO DE PERCUSIÓN

Utilice protectores de oídos al taladrar con percusión. La exposición a niveles de ruido excesivos puede causar la pérdida de audición.

¡Utilice las empuñaduras auxiliares suministradas con la herramienta! La pérdida de control de la herramienta puede causar accidentes.

Sujete el aparato de las superficies aisladas de agarre al efectuar trabajos en los cuales la perforadora de percusión pueda entrar en contacto con conductores de corriente ocultos o con el propio cable. El contacto de la perforadora de percusión con un conducto con energía aplicada también podrá poner bajo tensión partes metálicas del aparato y causar un choque eléctrico.

INSTRUCCIONES DE SEGURIDAD PARA ATORNILLADORES

Sujete el aparato de las superficies aisladas de agarre al efectuar trabajos en los que el útil pueda entrar en contacto con conductores eléctricos ocultos o con el propio cable del aparato. El contacto del tornillo con una línea conductora de corriente puede poner las partes metálicas del aparato bajo tensión y provocar un choque eléctrico.

INSTRUCCIONES ADICIONALES DE SEGURIDAD Y LABORALES

Utilice el equipamiento de protección. Mientras trabaje con la máquina lleve siempre gafas protectoras. Se recomienda utilizar ropa de protección como máscara protectora contra el polvo, guantes protectores, calzado resistente y antideslizante, casco y protección para los oídos.

El polvo que se produce durante estos trabajos puede ser nocivo a la salud; es por ello aconsejable que no penetre al cuerpo. Utilice por ello una máscara protectora contra polvo.

No se deben trabajar materiales que conlleven un riesgo para la salud (por ej. amianto).

¡En caso de que se bloquee el útil, el aparato se debe desconectar inmediatamente! No vuelva a conectar el aparato, mientras el útil esté bloqueado; se podría producir un rechazo debido a la reacción de retroceso brusca. Averigüe y elimine la causa del bloqueo del útil, teniendo en cuenta las indicaciones de seguridad.

Causas posibles para ello pueden ser:

- Atascamiento o bloqueo en la pieza de trabajo
- Rotura del material con el que está trabajando
- Sobrecarga de la herramienta eléctrica

No introduzca las manos en la máquina mientras ésta se encuentra en funcionamiento.

El útil se puede calentar durante el uso.

ADVERTENCIA! Peligro de quemaduras

- en caso de cambiar la herramienta
- en caso de depositar el aparato

Nunca se debe intentar limpiar el polvo o viruta procedente del taladrado con la máquina en funcionamiento.

Mantener siempre el cable separado del radio de acción de la máquina.

Para trabajar en paredes, techo o suelo, tenga cuidado para evitar los cables eléctricos y tuberías de gas o agua.

Fije la pieza de trabajo con un dispositivo de fijación. Las piezas de trabajo no fijadas pueden causar lesiones graves y deterioros.

Desconecte siempre el enchufe antes de llevar a cabo cualquier trabajo en la máquina.

Cuando se trabaje en grandes diámetros, se debe colocar la empuñadura auxiliar en ángulo recto con respecto a la empuñadura principal (ver ilustración, sección (girar la empuñadura"))

APLICACIÓN DE ACUERDO A LA FINALIDAD

El taladro-atomillador electrónico se puede usar universalmente para taladrado normal, taladrado a percusión, atornillado y roscado.

No utilice este producto para ninguna otra aplicación que no sea su uso normal.

DECLARACION DE CONFORMIDAD CE

Declaramos bajo nuestra responsabilidad que el producto descrito bajo „Datos técnicos“ está en conformidad con todas las normas relevantes de la directiva 2011/65/EU (RoHS), 2014/30/UE, 2006/42/CE y con las siguientes normas o documentos normalizados:

EN 55014-1:2017
EN 60745-1:2009+A11:2010
EN 60745-2-1:2010
EN 60745-2-2:2010
EN 61000-3-3:2013
EN 61000-3-2:2014
EN 55014-2:2015
EN 50581:2012

Winnenden, 2018-02-26



Alexander Krug
Managing Director



Autorizado para la redacción de los documentos técnicos.

Techtronic Industries GmbH
Max-Eyth-Straße 10
71364 Winnenden
Germany

CONEXIÓN ELÉCTRICA

Conecte siempre la máquina a una red protegida por interruptor diferencial y magnetotérmico (FI, RCD, PRCD), para su seguridad personal, según normas establecidas para instalaciones eléctricas de baja tensión.

Conectar solamente a corriente AC monofásica y sólo al voltaje indicado en la placa de características. También es posible la conexión a enchufes sin toma a tierra, dado que es conforme a la Clase de Seguridad II.

Asegurarse que la máquina está desconectada antes de enchufarla.

MANTENIMIENTO

Las ranuras de ventilación de la máquina deben estar despejadas en todo momento.

Si la máquina se usa principalmente para taladrado a percusión, limpie periódicamente el polvo acumulado en el portabrocas. Para limpiar el polvo, sujete la máquina con el portabrocas mirando verticalmente hacia abajo, y ábralo y ciérralo completamente. El polvo acumulado caerá del portabrocas.

Se recomienda utilizar regularmente un limpiador (designación 4932 6217 19) para las mordazas de sujeción y los alojamientos de éstas.

Si el cable de conexión a la red estuviera dañado, deberá ser sustituido en un punto de servicio técnico, para evitar situaciones de peligro.

Solo se deben utilizar accesorios y piezas de repuestos AEG. Piezas cuyo recambio no está descrito en las instrucciones de uso, deben sustituirse en un centro de asistencia técnica AEG (Consulte el folleto Garantía/ Direcciones de Centros de Asistencia Técnica).

En caso necesario, puede solicitar un despiece de la herramienta. Por favor indique el número de impreso que hay en la etiqueta y pida el despiece a la siguiente dirección: Techtronic Industries GmbH, Max-Eyth-Straße 10, 71364 Winnenden, Germany.

SÍMBOLOS



¡ATENCIÓN! ¡ADVERTENCIA! ¡PELIGRO!



Desconecte siempre el enchufe antes de llevar a cabo cualquier trabajo en la máquina.



Lea las instrucciones detenidamente antes de conectar la herramienta



Accesorio - No incluido en el equipo estándar, disponible en la gama de accesorios.



Los aparatos eléctricos no se deben eliminar junto con la basura doméstica. Los aparatos eléctricos y electrónicos se deben recoger por separado y se deben entregar a una empresa de reciclaje para una eliminación respetuosa con el medio ambiente. Infórmese en las autoridades locales o en su tienda especializada sobre los centros de reciclaje y puntos de recogida.



Herramienta eléctrica de la clase de protección II. Herramientas eléctricas, en las que la protección contra un choque eléctrico no depende solamente del aislamiento básico sino también de la aplicación de medidas adicionales de protección, como doble aislamiento o aislamiento reforzado. No existe dispositivo para la conexión de un conductor protector.



Marca CE



Regulatory Compliance Mark (RCM). El producto cumple las normas vigentes



Marca de conformidad nacional de Ucrania



certificado EAC de conformidad

CARACTERÍSTICAS TÉCNICAS

	BE 750 R	SBE 705 RE	SBE 705 RZ
Número de produção.....	4491 61 04...	4428 31 04...	4494 91 04...
000001-999999000001-999999000001-999999
Potência absorvida nominal	750 W	705 W	705 W
Potência de saída	375 W	350 W	350 W
Velocidade em vazio.....	0-3000 min ⁻¹	0-2800 min ⁻¹	0-2800 min ⁻¹
Velocidade de rotação máxima em carga max.....	1450 min ⁻¹	1600 min ⁻¹	1600 min ⁻¹
Frequência de percussão em carga.....	- min ⁻¹	25600 min ⁻¹	25600 min ⁻¹
Binário de bloqueio estático *	27 Nm	25 Nm	25 Nm
Ø de furo em betão	15 mm	15 mm	15 mm
Ø de furo em tijolo e calcário	20 mm	20 mm	20 mm
Ø de furo em aço	13 mm	13 mm	13 mm
Ø de furo em madeira macia.....	30 mm	30 mm	30 mm
Capacidade da bucha.....	1,5-13 mm	1,5-13 mm	1,5-13 mm
Veio da bucha.....	1/2"x20	1/2"x20	1/2"x20
Ø da gola de aperto	43 mm	43 mm	43 mm
Peso nos termos do procedimento-EPTA 01/2014.....	1,95 kg	1,95 kg	1,95 kg

* Medido em conformidade com a AEG Norm N 877318

Informações sobre ruído

Valores de medida de acordo com EN 60 745. O nível de ruído avaliado A do aparelho é tipicamente:

Como berbequim/aparafusadora:

Nível da pressão de ruído (Incertez K=3dB(A)).....	81,5 dB (A)	81,5 dB (A)	81,5 dB (A)
Nível da potência de ruído (Incertez K=3dB(A)).....	92,5 dB (A)	92,5 dB (A)	92,5 dB (A)

Como berbequim de percussão:

Nível da pressão de ruído (Incertez K=3dB(A)).....	-	89 dB (A)	89 dB (A)
Nível da potência de ruído (Incertez K=3dB(A)).....	-	100 dB (A)	100 dB (A)

Use protectores auriculares!

Informações sobre vibração

Valores totais de vibração (soma dos vectores das três direcções) determinadas conforme EN 60745.

Furar em metal

Valor de emissão de vibração a _{h,DS}	3,4 m/s ²	3,4 m/s ²	3,4 m/s ²
Incerteza K=.....	1,5 m/s ²	1,5 m/s ²	1,5 m/s ²

Furar de impacto em betão

Valor de emissão de vibração a _{h,ID}	-	20,2 m/s ²	20,2 m/s ²
Incerteza K=.....	-	1,5 m/s ²	1,5 m/s ²

Parafusos

Valor de emissão de vibração a _v	2,5 m/s ²	2,5 m/s ²	2,5 m/s ²
Incerteza K=.....	1,5 m/s ²	1,5 m/s ²	1,5 m/s ²

CARACTERÍSTICAS TÉCNICAS

	SBE 750 RZ	SBE 750 RE	SBE 750 RES
Número de produção.....	4428 41 04...	4428 51 04...	4497 83 04...
4494 96 04...4494 96 04...4494 96 04...
Potência absorvida nominal	750 W	750 W	750 W
Potência de saída	375 W	375 W	375 W
Velocidade em vazio.....	0-3000 min ⁻¹	0-3000 min ⁻¹	0-3000 min ⁻¹
Velocidade de rotação máxima em carga max.....	1450 min ⁻¹	1450 min ⁻¹	1450 min ⁻¹
Frequência de percussão em carga.....	23200 min ⁻¹	23200 min ⁻¹	23200 min ⁻¹
Binário de bloqueio estático *	27 Nm	27 Nm	27 Nm
Ø de furo em betão	16 mm	16 mm	16 mm
Ø de furo em tijolo e calcário	20 mm	20 mm	20 mm
Ø de furo em aço	13 mm	13 mm	13 mm
Ø de furo em madeira macia.....	30 mm	30 mm	30 mm
Capacidade da bucha.....	1,5-13 mm	1,5-13 mm	1,5-13 mm
Veio da bucha.....	1/2"x20	1/2"x20	1/2"x20
Ø da gola de aperto	43 mm	43 mm	43 mm
Peso nos termos do procedimento-EPTA 01/2014.....	1,95 kg	1,95 kg	1,95 kg

* Medido em conformidade com a AEG Norm N 877318

Informações sobre ruído

Valores de medida de acordo com EN 60 745. O nível de ruído avaliado A do aparelho é tipicamente:

Como berbequim/aparafusadora:

Nível da pressão de ruído (Incertez K=3dB(A)).....	81,5 dB (A)	81,5 dB (A)	81,5 dB (A)
Nível da potência de ruído (Incertez K=3dB(A)).....	92,5 dB (A)	92,5 dB (A)	92,5 dB (A)

Como berbequim de percussão:

Nível da pressão de ruído (Incertez K=3dB(A)).....	89 dB (A)	89 dB (A)	89 dB (A)
Nível da potência de ruído (Incertez K=3dB(A)).....	100 dB (A)	100 dB (A)	100 dB (A)

Use protectores auriculares!

Informações sobre vibração

Valores totais de vibração (soma dos vectores das três direcções) determinadas conforme EN 60745.

Furar em metal

Valor de emissão de vibração a _{h,DS}	3,4 m/s ²	3,4 m/s ²	3,4 m/s ²
Incerteza K=.....	1,5 m/s ²	1,5 m/s ²	1,5 m/s ²

Furar de impacto em betão

Valor de emissão de vibração a _{h,ID}	20,2 m/s ²	20,2 m/s ²	20,2 m/s ²
Incerteza K=.....	1,5 m/s ²	1,5 m/s ²	1,5 m/s ²

Parafusos

Valor de emissão de vibração a _v	2,5 m/s ²	2,5 m/s ²	2,5 m/s ²
Incerteza K=.....	1,5 m/s ²	1,5 m/s ²	1,5 m/s ²

ATENÇÃO

O nível vibratório indicado nestas instruções foi medido em conformidade com um procedimento de medição normalizado na EN 60745 e pode ser utilizado para comparar entre si ferramentas eléctricas. O mesmo é também adequado para avaliar provisoriamente o esforço vibratório.

O nível vibratório indicado representa as principais aplicações da ferramenta eléctrica. Se, no entanto, a ferramenta eléctrica for utilizada para outras aplicações, com outras ferramentas adaptadas ou uma manutenção insuficiente, o nível vibratório poderá divergir. Isto pode aumentar consideravelmente o esforço vibratório ao longo de todo o período do trabalho.

Para uma avaliação exacta do esforço vibratório devem também ser considerados os tempos durante os quais o aparelho está desligado ou está a funcionar, mas não está efectivamente a ser utilizado. Isto pode reduzir consideravelmente o esforço vibratório ao longo de todo o período do trabalho.

Defina medidas de segurança suplementares para proteger o operador do efeito das vibrações, como por exemplo: manutenção da ferramenta eléctrica e das ferramentas adaptadas, manter as mãos quentes, organização das sequências de trabalho.

⚠ ADVERTÊNCIA! Leia todas as instruções de segurança e todas as instruções. O desrespeito das advertências e instruções apresentadas abaixo pode causar choque eléctrico, incêndio e/ou graves lesões. **Guarde bem todas as advertências e instruções para futura referência.**

⚠ INSTRUÇÕES DE SEGURANÇA PARA A BROCA DE PERCUSSÃO

Use uma protecção dos ouvidos ao usar o berbequim de percussão. Os ruídos podem causar surdez.

Sempre use os punhos adicionais fornecidos com o aparelho. A perda de controlo pode causar feridas.

Segure o aparelho nas superfícies de punho isoladas se estiver a executar trabalhos, nos quais a ferramenta de corte pode tocar em linhas eléctricas escondidas ou no próprio cabo. O contacto da ferramenta de corte com uma linha sob tensão também pode colocar peças metálicas do aparelho sob tensão e levar a um choque eléctrico.

⚠ INSTRUÇÕES DE SEGURANÇA PARA APARAFUSADORAS

Segure o aparelho nos manipuladores isolados, quando estiver a executar trabalhos nos quais é possível que a ferramenta entre em contacto com condutores eléctricos ocultos ou o seu próprio cabo. O contacto do parafuso com uma linha sob tensão pode também colocar peças metálicas do aparelho sob tensão e provocar um choque eléctrico.

INSTRUÇÕES DE SEGURANÇA E TRABALHO SUPLEMENTARES

Utilizar equipamento de protecção. Durante os trabalhos com a máquina, usar sempre óculos de protecção. Vestuário de protecção, bem como máscara de pó, sapatos fechados e antiderrapante, capacete e protecção auditiva são recomendados.

O pó que resulta ao trabalhar pode ser nocivo para a saúde, por isso não devendo penetrar no corpo. Use uma máscara de protecção contra pó apropriada.

Não devem ser processados materiais que representem um perigo para a saúde (p. ex. asbesto).

Desligue o aparelho imediatamente, quando a ferramenta de inserção bloquear! Não ligue o aparelho novamente durante o bloqueio da ferramenta de inserção, pois isso pode levar a um recuo repentino com uma alta força

reactiva. Verifique e elimine a causa do bloqueio da ferramenta de inserção, observando as instruções de segurança.

Causas possíveis podem ser:

- Emperramento na peça a trabalhar
- Material a processar rompido
- Sobrecarga da ferramenta eléctrica

Não toque na máquina em operação.

A ferramenta de inserção pode ficar quente durante a operação.

ATENÇÃO! Perigo de queimar-se

- na troca das ferramentas
- ao depositar o aparelho

Não remover aparas ou lascas enquanto a máquina trabalha.

Manter sempre o cabo de ligação fora da zona de acção da máquina.

Ao trabalhar em paredes, tectos e soalhos prestar atenção a que não sejam atingidos cabos eléctricos e canalizações de gás e água.

Fixe a peça a trabalhar com um dispositivo de fixação.

Peças a trabalhar não fixadas podem levar a feridas graves e danos sérios.

Antes de efectuar qualquer intervenção na máquina, tirar a ficha da tomada.

No caso de grandes diâmetros de furo, o punho adicional tem que ser fixado perpendicularmente ao punho principal. Ver também na parte de imagens, secção "Rodar punho".

UTILIZAÇÃO AUTORIZADA

O berbequi aparafusador electrónico com percussão tem aplicação universal para furar, furar com percussão, aparafusar e abrir riscas.

Não use este produto de outra maneira sem ser a normal para o qual foi concebido.

DECLARAÇÃO DE CONFORMIDADE CE

Declaramos sob responsabilidade exclusiva, que o produto descrito sob „Dados técnicos“ corresponde com todas as disposições relevantes da diretiva 2011/65/EU (RoHS), 2014/30/UE, 2006/42/CE e dos seguintes documentos normativos harmonizados.

EN 55014-1:2017
EN 60745-1:2009+A11:2010
EN 60745-2-1:2010
EN 60745-2-2:2010
EN 61000-3-3:2013
EN 61000-3-2:2014
EN 55014-2:2015
EN 50581:2012

Winnenden, 2018-02-26

Alexander Krug
Managing Director



Autorizado a reunir a documentação técnica.

Techtronic Industries GmbH
Max-Eyth-Straße 10
71364 Winnenden
Germany

LIGAÇÃO À REDE

Aparelhos não estacionários, utilizados ao ar livre, devem ser protegidos por um disjuntor de corrente de defeito (FI,RCD,PRCD).

Só conectar à corrente alternada monofásica e só à tensão de rede indicada na placa de potência. A conexão às tomadas de rede sem contacto de segurança também é possível, pois trata-se duma construção da classe de protecção II.

Ao ligar o aspirador à rede, o interruptor deve encontrar-se na posição de desligado.

MANUTENÇÃO

Manter desobstruídos os rasgos de ventilação na carcaça da máquina.

Se a máquina for principalmente usada para furação com percussão, remova com regularidade a poeira acumulada na bucha. Para remover a poeira segure a máquina com a bucha a apontar para baixo verticalmente, e abra e feche completamente a bucha. A poeira acumulada irá cair da bucha.

É recomendável usar regularmente um dispositivo de limpeza (ref. n.º. 4932 6217 19). Para as garras de aperto e para as limalhas das mesmas.

Se o cabo de alimentação eléctrica estiver danificado, este deverá ser substituído junto de um serviço de assistência ao cliente dado, que será necessário utilizar ferramentas especiais.

Utilizar unicamente acessórios e peças sobressalentes da AEG. Sempre que a substituição de um componente não tenha sido descrita nas instruções, será de toda a conveniência mandar executar esse trabalho a um Serviço de Assistência AEG (veja o folheto Garantia/Endereços de Serviços de Assistência).

A pedido e mediante indicação da referência que consta da chapa de características da máquina, pode requerer-se um desenho explosivo da ferramenta eléctrica a: Techtronic Industries GmbH, Max-Eyth-Straße 10, 71364 Winnenden, Germany.

SYMBOLS



ATENÇÃO! PERIGO!



Antes de efectuar qualquer intervenção na máquina, tirar a ficha da tomada.



Leia atentamente o manual de instruções antes de colocar a máquina em funcionamento.



Acessório - Não incluído no equipamento normal, disponível como acessório.



Aparelhos eléctricos não devem ser jogados no lixo doméstico. Aparelhos eléctricos e electrónicos devem ser colectados separadamente e entregues a uma empresa de reciclagem para a eliminação correcta.

Solicite informações sobre empresas de reciclagem e postos de colecta de lixo das autoridades locais ou do seu vendedor autorizado.



Ferramenta eléctrica da classe de protecção II.

Ferramenta eléctrica, na qual a protecção contra choque eléctrico não só depende do isolamento básico, mas também da aplicação de medidas de protecção suplementares, como isolamento duplo ou reforçado. Não há um dispositivo para a conexão dum condutor de protecção.



Marca CE



Regulatory Compliance Mark (RCM). O produto satisfaz os regulamentos vigentes.



Marca de conformidade nacional da Ucrânia



Marca de conformidade EurAsian.

TECHNISCHE GEGEVENS	BE 750 R	SBE 705 RE	SBE 705 RZ
Productienummer	4491 61 04...	4428 31 04...	4494 91 04...
Nominaal afgegeven vermogen	750 W	705 W	705 W
Afgegeven vermogen	375 W	350 W	350 W
Onbelast toerental	0-3000 min ⁻¹	0-2800 min ⁻¹	0-2800 min ⁻¹
Belast toerental	1450 min ⁻¹	1600 min ⁻¹	1600 min ⁻¹
Aantal slagen belast max.	- min ⁻¹	25600 min ⁻¹	25600 min ⁻¹
Statisch draaimoment *	27 Nm	25 Nm	25 Nm
Boor-Ø in beton	15 mm	15 mm	15 mm
Boor-Ø in tegel en kalkzandsteen	20 mm	20 mm	20 mm
Boor-Ø in staal	13 mm	13 mm	13 mm
Boor-Ø in zacht hout	30 mm	30 mm	30 mm
Spanwijdte boorhouder	1,5-13 mm	1,5-13 mm	1,5-13 mm
Booras	1/2"x20	1/2"x20	1/2"x20
Spanhals-Ø	43 mm	43 mm	43 mm
Gewicht volgens de EPTA-procedure 01/2014	1,95 kg	1,95 kg	1,95 kg
* Gemeten volgens de AEG norm N 877318			

Geluids informatie
Meetwaarden vastgesteld volgens EN 60 745.
Het kenmerkende A-gewogen geluidsniveau van de machine bedraagt:
Als boormachine/schroevendraaier:
Geluidsdruk niveau (Onzekerheid K=3dB(A)) 81,5 dB (A) 81,5 dB (A) 81,5 dB (A)
Geluidsvermogen niveau (Onzekerheid K=3dB(A)) 92,5 dB (A) 92,5 dB (A) 92,5 dB (A)
Als klopboormachine:
Geluidsdruk niveau (Onzekerheid K=3dB(A)) - 89 dB (A) 89 dB (A)
Geluidsvermogen niveau (Onzekerheid K=3dB(A)) - 100 dB (A) 100 dB (A)

Draag oorschermsers!

Trillingsinformatie
Totale trillingswaarden (vectorsom van drie richting bepaald volgens EN 60745).

Boren in metaal	3,4 m/s ²	3,4 m/s ²	3,4 m/s ²
Trillingsemisiewaarde a _{n,DS}	3,4 m/s ²	3,4 m/s ²	3,4 m/s ²
Onzekerheid K=	1,5 m/s ²	1,5 m/s ²	1,5 m/s ²
Slagboren in beton	-	20,2 m/s ²	20,2 m/s ²
Trillingsemisiewaarde a _{n,SD}	-	20,2 m/s ²	20,2 m/s ²
Onzekerheid K=	-	1,5 m/s ²	1,5 m/s ²
Schroeven	-	2,5 m/s ²	2,5 m/s ²
Trillingsemisiewaarde a _n	2,5 m/s ²	2,5 m/s ²	2,5 m/s ²
Onzekerheid K=	1,5 m/s ²	1,5 m/s ²	1,5 m/s ²

TECHNISCHE GEGEVENS	SBE 750 RZ	SBE 750 RE	SBE 750 RES
Productienummer	4428 41 04...	45 5701 03...	4497 83 04...
Nominaal afgegeven vermogen	750 W	750 W	750 W
Afgegeven vermogen	375 W	375 W	375 W
Onbelast toerental	0-3000 min ⁻¹	0-3000 min ⁻¹	0-3000 min ⁻¹
Belast toerental	1450 min ⁻¹	1450 min ⁻¹	1450 min ⁻¹
Aantal slagen belast max.	23200 min ⁻¹	23200 min ⁻¹	23200 min ⁻¹
Statisch draaimoment *	27 Nm	27 Nm	27 Nm
Boor-Ø in beton	16 mm	16 mm	16 mm
Boor-Ø in tegel en kalkzandsteen	20 mm	20 mm	20 mm
Boor-Ø in staal	13 mm	13 mm	13 mm
Boor-Ø in zacht hout	30 mm	30 mm	30 mm
Spanwijdte boorhouder	1,5-13 mm	1,5-13 mm	1,5-13 mm
Booras	1/2"x20	1/2"x20	1/2"x20
Spanhals-Ø	43 mm	43 mm	43 mm
Gewicht volgens de EPTA-procedure 01/2014	1,95 kg	1,95 kg	1,95 kg
* Gemeten volgens de AEG norm N 877318			

Geluids informatie
Meetwaarden vastgesteld volgens EN 60 745.
Het kenmerkende A-gewogen geluidsniveau van de machine bedraagt:
Als boormachine/schroevendraaier:
Geluidsdruk niveau (Onzekerheid K=3dB(A)) 81,5 dB (A) 81,5 dB (A) 81,5 dB (A)
Geluidsvermogen niveau (Onzekerheid K=3dB(A)) 92,5 dB (A) 92,5 dB (A) 92,5 dB (A)
Als klopboormachine:
Geluidsdruk niveau (Onzekerheid K=3dB(A)) 89 dB (A) 89 dB (A) 89 dB (A)
Geluidsvermogen niveau (Onzekerheid K=3dB(A)) 100 dB (A) 100 dB (A) 100 dB (A)

Draag oorschermsers!

Trillingsinformatie
Totale trillingswaarden (vectorsom van drie richting bepaald volgens EN 60745).

Boren in metaal	3,4 m/s ²	3,4 m/s ²	3,4 m/s ²
Trillingsemisiewaarde a _{n,DS}	3,4 m/s ²	3,4 m/s ²	3,4 m/s ²
Onzekerheid K=	1,5 m/s ²	1,5 m/s ²	1,5 m/s ²
Slagboren in beton	-	20,2 m/s ²	20,2 m/s ²
Trillingsemisiewaarde a _{n,SD}	-	20,2 m/s ²	20,2 m/s ²
Onzekerheid K=	-	1,5 m/s ²	1,5 m/s ²
Schroeven	-	2,5 m/s ²	2,5 m/s ²
Trillingsemisiewaarde a _n	2,5 m/s ²	2,5 m/s ²	2,5 m/s ²
Onzekerheid K=	1,5 m/s ²	1,5 m/s ²	1,5 m/s ²

WAARSCHUWING
De in deze aanwijzingen vermelde trillingsdruk is gemeten volgens een in EN 60745 genormeerde meetmethode en kan worden gebruikt voor de onderlinge vergelijking van apparaten. Hij is ook geschikt voor een voorlopige inschatting van de trillingsbelasting.
De aangegeven trillingsdruk geldt voor de meest gebruikelijke toepassingen van het elektrische apparaat. Wanneer het elektrische gereedschap echter voor andere doeleinden, met andere dan de voorgeschreven hulpstukken gebruikt of niet naar behoren onderhouden wordt, kan de trillingsdruk afwijken. Dit kan de waarde van de trillingsdruk over de hele werkperiode aanzienlijk verhogen.
Voor een nauwkeurige inschatting van de trillingsdruk moeten ook de tijden in aanmerking worden genomen dat het apparaat uitgeschakeld is of weliswaar loopt, maar niet werkelijk in gebruik is. Dit kan de waarde van de trillingsdruk over de hele werkperiode aanzienlijk verminderen.
Bepaal extra veiligheidsmaatregelen ter bescherming van de bediener tegen de inwerking van trillingen, bijvoorbeeld: onderhoud van elektrische gereedschappen en apparaten, warmhouden van de handen, organisatie van de werkprocessen.

WAARSCHUWING! Lees alle veiligheidsinstructies en aanwijzingen. Als de waarschuwingen en voorschriften niet worden opgevolgd, kan dit een elektrische schok, brand of ernstig letsel tot gevolg hebben.
Bewaar alle waarschuwingen en voorschriften voor toekomstig gebruik.

VEILIGHEIDSI NSTRUCTIES VOOR SLAGBOORMACHINE

Draag gehoorbescherming tijdens het klopbooren. Lawaai kan gehoorverlies veroorzaken.
Gebruik de bij de machine geleverde zijhandgreep. Verlies aan controle kan tot persoonlijk letsel leiden.
Houd het apparaat alléén aan de geïsoleerde grijpvlakken vast, wanneer u werkzaamheden uitvoert waarbij het snijgereedschap verborgen stroomleidingen of de eigen apparaatkabel zou kunnen raken. Het contact van het snijgereedschap met een spanningvoerende leiding kan de metalen apparaatdelen onder spanning zetten en zo tot een elektrische schok leiden.

VEILIGHEIDSI NSTRUCTIES VOOR SCHROEVENDRAAIERS

Houd het apparaat alléén aan de geïsoleerde grijpvlakken vast, wanneer u werkzaamheden uitvoert waarbij het gereedschap verborgen stroomleidingen of de eigen apparaatkabel zou kunnen raken. Het contact van de schroef met een spanningvoerende leiding kan de metalen apparaatdelen onder spanning zetten en zo tot een elektrische schok leiden.

VERDERE VEILIGHEIDS- EN WERKINSTRUCTIES

Draag veiligheidsuitrusting. Bij werkzaamheden met de machine dient u altijd een veiligheidsbril te dragen. Veiligheidskleding zoals stofmasker, veiligheidshandschoenen, stevig en slipvast schoeisel, helm en gehoorbescherming worden aanbevolen.
Het gedurende het werken vrijkomende stof is doorgaans schadelijk voor de gezondheid en mag niet met het lichaam in aanraking komen. Draag derhalve een geschikt stofbeschermsmasker.
Het is niet toegestaan, materialen te bewerken waarvan een gezondheidsgevaar uitgaat (bijv. asbest).
Schakel het apparaat onmiddellijk uit als het gereedschap blokkeert! Schakel het apparaat niet in zolang het gereedschap geblokkeerd is; dit zou een terugslag met een

hoog reactiemoment kunnen veroorzaken. Achterhaal en verhelp de oorzaak voor de blokkering van het gereedschap met inachtneming van de veiligheidsinstructies.
Mogelijke oorzaken voor de blokkering:
• kantelen in het te bewerken werkstuk
• doorbreken van het te bewerken materiaal
• overbelasting van het elektrische gereedschap

Grijp niet in de lopende machine.
Het gereedschap kan heet worden tijdens het gebruik.
WAARSCHUWING! Gevaar voor verbranding
• bij het vervangen van het gereedschap
• bij het neerleggen van het apparaat
Spanen of splinters mogen bij draaiende machine niet worden verwijderd.
Snoer altijd buiten werkbereik van de machine houden.
Bij het werken in wanden, plafonds of vloeren oppassen voor elektriciteitsdraden, gas- of waterleidingen.

Borg uw werkstuk met behulp van een spaninrichting. Niet geborgde werkstukken kunnen ernstig letsel en grote schade veroorzaken.
Voor alle werkzaamheden aan de machine de stekker uit de kontaktdoos trekken.

Bij werken met grote boordiameters dient de extra handgreep in een rechte hoek met de hoofdhandgreep te worden bevestigd (zie tevens illustraties, sectie "Handgreep verdraaien").

VOORGESCHREVEN GEBRUIK VAN HET SYSTEEM

De elektronische slagboor-schroevendraaier is universeel te gebruiken voor boren, slagboren, schroeven en tappen. Dit apparaat uitsluitend gebruiken voor normaal gebruik, zoals aangegeven.

EC - VERKLARING VAN OVEREENSTEMMING

Wij verklaren in uitsluitende verantwoording dat het onder „Technische gegevens“ beschreven product overeenstemt met alle relevante voorschriften van de richtlijn 2011/65/EU (RoHS), 2014/30/EU, 2006/42/EG en de volgende geharmoniseerde normatieve documenten:
EN 55014-1:2017
EN 60745-1:2009+A11:2010
EN 60745-2-1:2010
EN 60745-2-2:2010
EN 61000-3-3:2013
EN 61000-3-2:2014
EN 55014-2:2015
EN 50581:2012

Winnenden, 2018-02-26

Alexander Krug



Alexander Krug
Managing Director

Gemachtigd voor samenstelling van de technische documenten

Techtronic Industries GmbH
Max-Eyth-Strasse 10
71364 Winnenden
Germany

NETAANSLUITING

Verplaatsbaar gereedschap moet bij het gebruik buiten aan een aardlekschakelaar (FI,RCD,PRCD) aangesloten worden.
Uitsluitend op éénfase-wisselstroom en uitsluitend op de op het typeplaatje aangegeven netspanning aansluiten. Aansluiting is ook mogelijk op een stekerdoos zonder

aardcontact mogelijk, omdat het is ontworpen volgens veiligheidsklasse II.

Machine alleen uitgeschakeld aan de stekkerdoos aansluiten.

ONDERHOUD

Altijd de luchtspleten van de machine schoonhouden.

Bij intensief slagboorwerk de boorhouder regelmatig van stof 'bevrijden'. Hiervoor de machine met de boorhouder loodrecht naar beneden houden en de boorhouder dan over het totale spanbereik openen en sluiten. Het verzamelde stof valt zo uit de boorhouder.

Regelmatige toepassing van reinigingsspray (artikelnummer 4932-6217-19) op de spanbekken en spanbekkenboringen wordt aanbevolen.

Wanneer de netkabel beschadigd is, moet deze door een klantenservice worden vervangen, omdat daarvoor speciaal gereedschap vereist is.

Alleen AEG toebehoren en onderdelen gebruiken. Onderdelen welke niet vermeld worden, kunnen het beste door de AEG servicedienst verwisseld worden (zie Serviceadressen).

Onder vermelding van het nummer op het machineplaatje is desgewenst een doorsnedetekening van de machine verkrijgbaar bij: Techtronic Industries GmbH, Max-Eyth-Straße 10, 71364 Winnenden, Germany.

SYMBOLEN



OPGELET! WAARSCHUWING! GEVAAR!



Voor alle werkzaamheden aan de machine de stekker uit de kontaktdoos trekken.



Graag instructies zorgvuldig doorlezen vóórdat u de machine in gebruik neemt.



Toebehoren - Wordt niet meegeleverd. Is apart leverbaar. Zie hiervoor het toebehorenprogramma.



Elektrische apparaten mogen niet via het huisafval worden afgevoerd. Elektrische en elektronische apparaten moeten gescheiden worden verzameld en voor een milieuvriendelijke afvoer worden afgegeven bij een recyclingbedrijf. Informeer bij uw gemeente of bij uw vakhandelaar naar recyclingbedrijven en inzamelpunten.



Elektrisch gereedschap van de beschermingsklasse II. Elektrisch gereedschap waarbij de bescherming tegen elektrische schokken niet afhankelijk is van de basisisolatie, maar waarin ook extra veiligheidsmaatregelen worden toegepast zoals dubbele of versterkte isolatie. Er is geen voorziening voor de aansluiting van een aardleiding.



CE-keurmerk



Regulatory Compliance Mark (RCM). Het product voldoet aan de van toepassing zijnde voorschriften.



Nationaal symbool van overeenstemming Oekraïne



EurAsian-symbool van overeenstemming.

TEKNISKE DATA

	BE 750 R	SBE 705 RE	SBE 705 RZ
Produktionsnummer	4491 61 04...	4428 31 04...	4494 91 04...
000001-999999000001-999999000001-999999
Nominel optagen effekt	750 W	705 W	705 W
Afgiven effekt	375 W	350 W	350 W
Omdreijningstal, ubelastet	0-3000 min ⁻¹	0-2800 min ⁻¹	0-2800 min ⁻¹
Omdreijningstal max., belastet	1450 min ⁻¹	1600 min ⁻¹	1600 min ⁻¹
Slagantal belastet max.	- min ⁻¹	25600 min ⁻¹	25600 min ⁻¹
Statisk blokeringsmoment *	27 Nm	25 Nm	25 Nm
Bor-ø i beton	15 mm	15 mm	15 mm
Bor-ø i tegl og kalksandsten	20 mm	20 mm	20 mm
Bor-ø i stål	13 mm	13 mm	13 mm
Bor-ø i mykt træ	30 mm	30 mm	30 mm
Borepatronspændevide	1,5-13 mm	1,5-13 mm	1,5-13 mm
Borespindel	1/2"x20	1/2"x20	1/2"x20
Halsdiameter	43 mm	43 mm	43 mm
Vægt svarer til EPTA-procedure 01/2014	1,95 kg	1,95 kg	1,95 kg
* Målt i.h.t. AEG Norm N 877318			

Støjinformation

Måleværdier beregnes iht. EN 60 745. Værktøjets A-vurderede støjniveau er typisk:

Som boremaskine/skruemaskine:

Lydtrykniveau (Usikkerhed K=3dB(A))81,5 dB (A).....81,5 dB (A).....81,5 dB (A)

Lydeffekt niveau (Usikkerhed K=3dB(A))92,5 dB (A).....92,5 dB (A).....92,5 dB (A)

Som slagboremaskine:

Lydtrykniveau (Usikkerhed K=3dB(A))-89 dB (A).....89 dB (A)

Lydeffekt niveau (Usikkerhed K=3dB(A))-100 dB (A).....100 dB (A)

Brug høreværn!

Vibrationsinformation

Samlede vibrationsværdier (værdisum for tre retninger) beregnet iht. EN 60745.

Boring i metal

Vibrationseksponering a_{h,DS}3,4 m/s².....3,4 m/s².....3,4 m/s²

Usikkerhed K=1,5 m/s².....1,5 m/s².....1,5 m/s²

Slagboring i beton

Vibrationseksponering a_{h,ID}-20,2 m/s².....20,2 m/s²

Usikkerhed K=-1,5 m/s².....1,5 m/s²

Skruing

Vibrationseksponering a_h2,5 m/s².....2,5 m/s².....2,5 m/s²

Usikkerhed K=1,5 m/s².....1,5 m/s².....1,5 m/s²

TEKNISKE DATA

	SBE 750 RZ	SBE 750 RE	SBE 750 RES
Produktionsnummer	4428 41 04...	4428 51 04...	4497 83 04...
4494 96 04...4494 96 04...4494 96 04...
Nominel optagen effekt	750 W	750 W	750 W
Afgiven effekt	375 W	375 W	375 W
Omdreijningstal, ubelastet	0-3000 min ⁻¹	0-3000 min ⁻¹	0-3000 min ⁻¹
Omdreijningstal max., belastet	1450 min ⁻¹	1450 min ⁻¹	1450 min ⁻¹
Slagantal belastet max.	23200 min ⁻¹	23200 min ⁻¹	23200 min ⁻¹
Statisk blokeringsmoment *	27 Nm	27 Nm	27 Nm
Bor-ø i beton	16 mm	16 mm	16 mm
Bor-ø i tegl og kalksandsten	20 mm	20 mm	20 mm
Bor-ø i stål	13 mm	13 mm	13 mm
Bor-ø i mykt træ	30 mm	30 mm	30 mm
Borepatronspændevide	1,5-13 mm	1,5-13 mm	1,5-13 mm
Halsdiameter	43 mm	43 mm	43 mm
Vægt svarer til EPTA-procedure 01/2014	1,95 kg	1,95 kg	1,95 kg
* Målt i.h.t. AEG Norm N 877318			

Støjinformation

Måleværdier beregnes iht. EN 60 745. Værktøjets A-vurderede støjniveau er typisk:

Som boremaskine/skruemaskine:

Lydtrykniveau (Usikkerhed K=3dB(A))81,5 dB (A).....81,5 dB (A).....81,5 dB (A)

Lydeffekt niveau (Usikkerhed K=3dB(A))92,5 dB (A).....92,5 dB (A).....92,5 dB (A)

Som slagboremaskine:

Lydtrykniveau (Usikkerhed K=3dB(A))89 dB (A).....89 dB (A).....89 dB (A)

Lydeffekt niveau (Usikkerhed K=3dB(A))100 dB (A).....100 dB (A).....100 dB (A)

Brug høreværn!

Vibrationsinformation

Samlede vibrationsværdier (værdisum for tre retninger) beregnet iht. EN 60745.

Boring i metal

Vibrationseksponering a_{h,DS}3,4 m/s².....3,4 m/s².....3,4 m/s²

Usikkerhed K=1,5 m/s².....1,5 m/s².....1,5 m/s²

Slagboring i beton

Vibrationseksponering a_{h,ID}-20,2 m/s².....20,2 m/s²

Usikkerhed K=-1,5 m/s².....1,5 m/s²

Skruing

Vibrationseksponering a_h2,5 m/s².....2,5 m/s².....2,5 m/s²

Usikkerhed K=1,5 m/s².....1,5 m/s².....1,5 m/s²

ADVARSEL

Svingningsniveauet, som er angivet i disse anvisninger, er målt i henhold til standardiseret måleprocedure ifølge EN 60745 og kan anvendes til indbyrdes sammenligning mellem el-værktøjer. Svingningsniveauet er ligeledes egnet som foreløbigt skøn over svingningsbelastningen.

Det angivne svingningsniveau er baseret på el-værktøjets primære anvendelsesformål. Hvis el-værktøjet benyttes til andre formål, med andet indsatsværktøj eller ikke vedligeholdes tilstrækkeligt, kan svingningsniveauet afvige. Dette kan øge svingningsbelastningen over den samlede arbejdsperiode betydeligt.

For en nøjagtig vurdering af svingningsbelastningen skal der også tages højde for de tidsperioder, hvor apparatet er slukket, eller hvor apparatet kører, men uden at være i anvendelse. Dette kan reducere svingningsbelastningen over den samlede arbejdsperiode betydeligt.

Supplerende sikkerhedsforanstaltninger til beskyttelse af brugeren mod påvirkninger fra svingninger skal iværksættes, f.eks.: Vedligeholdelse af el-værktøj og indsatsværktøj, varmholdelse af hænder, organisering af arbejdsprocesser.

ADVARSEL! Læs alle sikkerhedsinformationer og instruktioner. I tilfælde af manglende overholdelse af advarselshenvisningerne og instrukserne er der risiko for elektrisk stød, brand og/eller alvorlige kvæstelser. **Opbevar alle advarselshenvisninger og instrukser til senere brug.**

SIKKERHEDSANVISNINGER FOR SLAGBOREMASKINE

Brug høreværn under slagboring. Støjen kan føre til nedsat hørelse.

Brug de ekstra håndtag, som følger med apparatet. Hvis kontrollen mistes, kan det medføre personskaade.

Hold maskinen fast i de isolerede gribeblader, når du udfører arbejde, hvor der er risiko for, at skæreværktøjet kan ramme skjulte strømledninger eller værktøjets egen ledning. Kommer skæreværktøjet i kontakt med en strømførende ledning, kan maskinens metaldele komme under spænding og give elektrisk stød.

SIKKERHEDSANVISNINGER FOR SKRUEMASKINER

Hold kun maskinen fast i de isolerede gribeblader, når du udfører arbejder, hvor indsatsværktøjet kan ramme skjulte strømledninger eller værktøjets egen ledning. Skruens kontakt med en spændingsførende ledning kan sætte metalliske maskindele under spænding og medføre elektrisk stød.

YDERLIGERE SIKKERHEDS- OG ARBEJDSINFORMATIONER

Brug beskyttelsesudstyr. Bær altid sikkerhedsbriller, når du arbejder med maskinen. Vi anbefaler desuden brug af personlig beskyttelsesudrustning, såsom støvmaske, sikkerhedshandsker, fast og skridsikkert skotøj, hjelm og høreværn.

Støv, som opstår under arbejdet, er ofte sundhedsfarligt og bør ikke trænge ind i kroppen. Benyt egnet åndedrætsværn.

Der må ikke bearbejdes nogen materialer, der kan udgøre en sundhedsrisiko (f.eks. asbest).

Sluk straks for maskinen, hvis indsatsværktøjet er blokeret! Tænd ikke for maskinen igen, så længe indsatsværktøjet er blokeret; dette kan føre til et tilbageslag med højt reaktionsmoment. Find frem til og afhjælp årsagen til indsatsværktøjets blokering under hensyntagen til sikkerhedsinstruktionerne.

Mulige årsager hertil kan være:

- at det sidder i klemme i emnet der bearbejdes
- at det har brækket materialet der bearbejdes

- at el-værktøjet er overbelastet

Grib ikke ind i maskinen, når den kører.

Indsatsværktøjet kan blive varmt under brugen.

ADVARSEL! Fare for forbrændinger

- ved værktøjskift
- når man lægger maskinen fra sig

Spåner eller splinter må ikke fjernes, medens maskinen kører.

Tilslutningskablet holdes hele tiden væk fra maskinens arbejdsområde. Kablet ledes altid bort bag om maskinen.

Ved arbejdsboring i væg, loft eller gulv skal man passe på elektriske kabler, gas- og vandledninger.

Sørg for at sikre dit emne med en spændeanordning. Ikke sikrede emner kan forårsage alvorlige kvæstelser og beskadigelser.

Før ethvert arbejde ved maskinen skal stikket tages ud af stikdåsen.

Ved store borediametre skal ekstrahåndtaget fastgøres i en ret vinkel til hovedhåndtaget. Se også i billedelen, afsnit "Håndtag drejres".

TILTÆNKT FORMÅL

Elektronisk slagbore-/skruemaskine kan bruges universelt til boring, slagboring, skruring og gevindskæring.

Produktet må ikke anvendes på anden måde og til andre formål end foreskrevet.

CE-KONFORMITETSERKLÆRING

Vi erklærer som eneansvarlig, at det under „Tekniske data“ beskrevne produkt stemmer overens med alle relevante forskrifter, der følger af direktiv 2011/65/EU (RoHS), 2014/30/EU, 2006/42/EF samt af følgende harmoniserede normative dokumenter:

EN 55014-1:2017
EN 60745-1:2009+A11:2010
EN 60745-2-1:2010
EN 60745-2-2:2010
EN 61000-3-3:2013
EN 61000-3-2:2014
EN 55014-2:2015
EN 50581:2012

Winnenden, 2018-02-26

Alexander Krug
Managing Director



Autoriseret til at udarbejde de tekniske dokumenter.

Techtronic Industries GmbH
Max-Eyth-Straße 10
71364 Winnenden
Germany

NETTILSLUTNING

Stikdåser udendørs skal være forsynet med fejlstrømssikringskontakter (FI, RCD, PRCD). Det forlanger installationsforskriften for Deres elektroanlæg. Overhold dette, når De bruger vores maskiner.

Tilslutning må kun foretages til enfaset vekselstrøm og kun til en netspænding, som er i overensstemmelse med angivelsen på mærkepladen. Tilslutning kan også ske til stikdåser uden beskyttelseskontakt, da kapslingsklasse II foreligger.

Tilslut kun maskine til stikdåsen i slukket tilstand.

VEDLIGEHOLDELSE

Hold altid maskinens ventilationsåbninger rene.

Ved hyppig slagboredrift bør borepatronen renses regelmæssigt for støv. Dette gøres ved at borepatronen på maskinen holdes lodret nedad og åbne og lukke borepatronen i hele spændeoområdet. På denne måde falder støvet ud af borepatronen.

Det anbefales at benytte rengøringspray jævnlige (id.nr. 4932 6217 19) ved spændekæberne og spændekæbehullerne.

Hvis netttilslutningsledningen bliver beskadiget, skal den udskiftes hos kompetent kundeservice, idet dette kræver specielt værktøj.

Brug kun AEG tilbehør og reservedele. Lad de komponenter, hvis udskiftning ikke er blevet beskrevet, udskifte hos Atlas Copco service (se kundeserviceadresser).

Ved opgivelse af type nr. der er angivet på maskinens effektskilt, kan de rekvirere en reservedelstegning, ved henvendelse til: Techtronic Industries GmbH, Max-Eyth-Straße 10, 71364 Winnenden, Germany.

SYMBOLER



VIGTIGT! ADVARSEL! FARE!



Før ethvert arbejde ved maskinen skal stikket tages ud af stikdåsen.



Læs brugsanvisningen nøje før ibrugtagning.



Tilbehør - Ikke inkluderet i leveringsomfanget, kab købes som tilbehør.



Elektrisk udstyr må ikke bortskaffes sammen med det almindelige husholdningsaffald. Elektrisk og elektronisk udstyr skal indsamles særskilt og afleveres hos en genbrugsvirksomhed til en miljømæssig forsvarlig bortskaffelse. Spørg de lokale myndigheder eller din forhandler om genbrugsstationer og indsamlingssteder til sådant affald.



Kapslingsklasse II elværktøj. Elværktøj, hvor beskyttelsen mod et elektrisk stød ikke kun afhænger af basisisoleringen men også af, at der anvendes yderligere beskyttelsesforanstaltninger som dobbelt isolering eller forstærket isolering. Der findes ikke udstyr til tilslutning af en beskyttelsesleder.



CE-mærke



Regulatory Compliance Mark (RCM). Produktet opfylder de gældende bestemmelser.



Nationalt overensstemmelsesmærke Ukraine



EurAsian overensstemmelsesmærke.

TEKNISKE DATA	BE 750 R	SBE 705 RE	SBE 705 RZ
Produksjonsnummer.....	4491 61 04...	4428 31 04...	4494 91 04...
Nominell inngangseffekt.....	750 W	705 W	705 W
Avgitt effekt.....	375 W	350 W	350 W
Tomgangsturtall.....	0-3000 min ⁻¹	0-2800 min ⁻¹	0-2800 min ⁻¹
Lastturtall maks.....	1450 min ⁻¹	1600 min ⁻¹	1600 min ⁻¹
Lastslagtall maks.....	- min ⁻¹	25600 min ⁻¹	25600 min ⁻¹
Statisk blokkeringsmoment *.....	27 Nm	25 Nm	25 Nm
Bor-Ø i betong.....	-	15 mm	15 mm
Bor-Ø i tegl og kalksandstein.....	-	20 mm	20 mm
Bor-Ø i stål.....	13 mm	13 mm	13 mm
Bor-Ø i mykt treverk.....	30 mm	30 mm	30 mm
Chuckspennområde.....	1,5-13 mm	1,5-13 mm	1,5-13 mm
Borspindel.....	1/2"x20	1/2"x20	1/2"x20
Spennhals-Ø.....	43 mm	43 mm	43 mm
Vekt i henhold til EPTA-Prosedyren 01/2014.....	1,95 kg	1,95 kg	1,95 kg
* Målt etter AEG standard N 877318			

Støyinformasjon
Måleverdier fastslått i samsvar med EN 60 745.
Det typiske A-bedømte støynivået for maskinen er:
som bor / skrutrekker:

Lydtryknivå (Usikkerhet K=3dB(A)).....	81,5 dB (A)	81,5 dB (A)	81,5 dB (A)
Lydeffektnivå (Usikkerhet K=3dB(A)).....	92,5 dB (A)	92,5 dB (A)	92,5 dB (A)
som slagbor:			
Lydtryknivå (Usikkerhet K=3dB(A)).....	-	89 dB (A)	89 dB (A)
Lydeffektnivå (Usikkerhet K=3dB(A)).....	-	100 dB (A)	100 dB (A)

Bruk hørselsvern!

Vibrasjonsinformasjoner
Totale svingningsverdier (vektorsum fra tre retninger) beregnet jf. EN 60745.

Boring i metall			
Svingningsemisjonsverdi a _{n,DS}	3,4 m/s ²	3,4 m/s ²	3,4 m/s ²
Usikkerhet K=.....	1,5 m/s ²	1,5 m/s ²	1,5 m/s ²
Slagboring i betong			
Svingningsemisjonsverdi a _{n,IO}	-	20,2 m/s ²	20,2 m/s ²
Usikkerhet K=.....	-	1,5 m/s ²	1,5 m/s ²
Skruing			
Svingningsemisjonsverdi a _n	2,5 m/s ²	2,5 m/s ²	2,5 m/s ²
Usikkerhet K=.....	1,5 m/s ²	1,5 m/s ²	1,5 m/s ²

TEKNISKE DATA	SBE 750 RZ	SBE 750 RE	SBE 750 RES
Produksjonsnummer.....	4428 41 04...	4428 51 04...	4497 83 04...
Nominell inngangseffekt.....	750 W	750 W	750 W
Avgitt effekt.....	375 W	375 W	375 W
Tomgangsturtall.....	0-3000 min ⁻¹	0-3000 min ⁻¹	0-3000 min ⁻¹
Lastturtall maks.....	1450 min ⁻¹	1450 min ⁻¹	1450 min ⁻¹
Lastslagtall maks.....	23200 min ⁻¹	23200 min ⁻¹	23200 min ⁻¹
Statisk blokkeringsmoment *.....	27 Nm	27 Nm	27 Nm
Bor-Ø i betong.....	16 mm	16 mm	16 mm
Bor-Ø i tegl og kalksandstein.....	20 mm	20 mm	20 mm
Bor-Ø i stål.....	13 mm	13 mm	13 mm
Bor-Ø i mykt treverk.....	30 mm	30 mm	30 mm
Chuckspennområde.....	1,5-13 mm	1,5-13 mm	1,5-13 mm
Borspindel.....	1/2"x20	1/2"x20	1/2"x20
Spennhals-Ø.....	43 mm	43 mm	43 mm
Vekt i henhold til EPTA-Prosedyren 01/2014.....	1,95 kg	1,95 kg	1,95 kg
* Målt etter AEG standard N 877318			

Støyinformasjon
Måleverdier fastslått i samsvar med EN 60 745.
Det typiske A-bedømte støynivået for maskinen er:
som bor / skrutrekker:

Lydtryknivå (Usikkerhet K=3dB(A)).....	81,5 dB (A)	81,5 dB (A)	81,5 dB (A)
Lydeffektnivå (Usikkerhet K=3dB(A)).....	92,5 dB (A)	92,5 dB (A)	92,5 dB (A)
som slagbor:			
Lydtryknivå (Usikkerhet K=3dB(A)).....	89 dB (A)	89 dB (A)	89 dB (A)
Lydeffektnivå (Usikkerhet K=3dB(A)).....	100 dB (A)	100 dB (A)	100 dB (A)

Bruk hørselsvern!

Vibrasjonsinformasjoner
Totale svingningsverdier (vektorsum fra tre retninger) beregnet jf. EN 60745.

Boring i metall			
Svingningsemisjonsverdi a _{n,DS}	3,4 m/s ²	3,4 m/s ²	3,4 m/s ²
Usikkerhet K=.....	1,5 m/s ²	1,5 m/s ²	1,5 m/s ²
Slagboring i betong			
Svingningsemisjonsverdi a _{n,IO}	20,2 m/s ²	20,2 m/s ²	20,2 m/s ²
Usikkerhet K=.....	1,5 m/s ²	1,5 m/s ²	1,5 m/s ²
Skruing			
Svingningsemisjonsverdi a _n	2,5 m/s ²	2,5 m/s ²	2,5 m/s ²
Usikkerhet K=.....	1,5 m/s ²	1,5 m/s ²	1,5 m/s ²

ADVARSEL

Svingningsnivået som er angitt i denne instruksjonen er målt i overensstemmelse med målemetoden normert i direktiv EN 60745 og kan brukes til å sammenligne elektromaskiner med hverandre. Den egner seg også for en foreløbig vurdering av svingningsbelastningen.

Det angitte svingningsnivået representerer de hovedsaklige bruk av elektroverktøyet. Men anvendes elektroverktøyet for andre bruk med avvikende utskiftbare verktøy eller vedlikeholdet er utilstrekkelig, kan svingningsnivået være avvikende.

Dette kan forhøye svingningsbelastning betydelig over hele arbeidsperioden. For en nøyaktig vurdering av svingningsbelastningen må også det tas hensyn til tiden apparatet er avslått eller står på, men ikke er i bruk. Dette kan redusere svingningsbelastningen betydelig over hele arbeidsperioden.

Innfør også ekstra sikkerhetstiltak for å beskytte bruker mot utvirkningen av svingningene. Disse kan f.eks. være: vedlikehold av elektroverktøyet og det utskiftbare verktøyet, holde hendene varme, organisasjon av arbeidsforløpet.

▲ OBS! Les alle sikkerhetsinstruksjoner og bruksanvisninger. Feil ved overholdelsen av advarslene og nedenstående anvisninger kan medføre elektriske støt, brann og/eller alvorlige skader.
Ta godt vare på alle advarslene og informasjonene.

▲ SIKKERHETSINSTRUKSJONER FOR SLAGBORMASKIN

Bruk hørselsvern ved bruk av slagboret. Støy kan føre til tap av hørselen.

Bruk de med apparatet medleverte tileggshandtak. Tap av kontrollen kan føre til skader.

Hold apparatet i de isolerte holdeflatene, når det arbeides på steder hvor elektroverktøyet kan treffe skjulte strømledninger eller verktøyet egen kabel. Kontakt med en ledning som er under spenning, kan også sette metalldele til apparatet under spenning og føre til et elektrisk slag.

▲ SIKKERHETSINSTRUKSJONER FOR SKUTREKKERE

Hold verktøyet i de isolerte håndtakene, når arbeid gjøres der verktøyet kan treffe på skjulte strømledninger eller den egne kabelen. Kontakt av skruen med en strømførende ledning kan sette apparatets metalldele under spenning og føre til elektrisk slag.

YTTRELIGE SIKKERHETS- OG ARBEIDSLINSTRUKSJONER

Bruk vernebekledning. Ta alltid på vernebrille ved bruk av maskinen. Vernebekledning så vel som støvmaske, vernehansker, fast og sklisikkert skotøy, hjem og hørselsvern er anbefalt.

Støvet som oppstår ved arbeidet er ofte helsefarlig og skal ikke komme i kontakt med kroppen. Bruk derfor vernemaske som er egnet for støv.

Materialer som er helsefarlig skal ikke bearbeides (f.eks. asbest)

Slå av apparatet med en gang dersom det isatte verktøyet er blokkert! Ikke slå apparatet på igjen så lenge det isatte verktøyet er blokkert; her kan det oppstå et tilbakeslag med høyt reaksjonsmoment. Finn ut hvorfor det isatte verktøyet blokkerer og fjern årsaken til dette. Ta herved hensyn til sikkerhetsinstruksene.

Mulige årsaker til dette kan være:

- det har forkantet seg i arbeidsemnet som bearbeides
- det har brekt igjennom materialet som bearbeides
- elektroverktøyet er overbelastet

Ikke grip inn i maskinen når den står på og går.

Isatt verktøy kan i bruk bli veldig varmt.

ADVARSEL! Fare for forbrenning

- ved skifting av verktøy
- når apparatet legges ned

Spon eller fliser må ikke fjernes mens maskinen er i gang.

Hold ledningen alltid vekk fra maskinens virkeområde. Før ledningen alltid bakover fra maskinen.

Pass på kabler, gass- og vannledninger når du arbeider i vegger, tak eller gulv.

Klem fast arbeidsemnet med en spenninnretning. Ikke sikre arbeidsemner kan ha alvorlige helseskader og skader av material til følge.

Trekk støpslet ut av stikkkontakten før du begynner arbeider på maskinen.

Ved store boremeter må ekstrahåndtaket være festet i rett vinkel til hovedhåndtaket. Se også **bildedelen, avsnitt "Vri håndtaket"**.

FORMÅLSMESSIG BRUK

Elektronikk-slagbormaskin/skrutrekker kan brukes universelt til boring, slagboring, skruing og gjengeskjæring.

Dette apparatet må kun brukes til de oppgitte formål.

CE-SAMSVARERKLÆRING

Vi erklærer i alene ansvar at produktet beskrevet i „Tekniske data“ overensstemmer med alle relevante forskrifter til Eu direktiv 2011/65/EU (RoHS), 2014/30/EU, 2006/42/EF og de følgende harmoniserte normative dokumentene.

EN 55014-1:2017
EN 60745-1:2009+A11:2010
EN 60745-2-1:2010
EN 60745-2-2:2010
EN 61000-3-3:2013
EN 61000-3-2:2014
EN 55014-2:2015
EN 50581:2012

Winnenden, 2018-02-26



Alexander Krug
Managing Director



Autorisert til å utarbeide den tekniske dokumentasjonen

Techronic Industries GmbH
Max-Eyth-Straße 10
71364 Winnenden
Germany

NETTILKOPLING

Stikkontakter utenførs må være utstyrt med feilstrøm-sikkerhetsbryter (FI, RCD, PRCD). Dette forlanges av installasjonsforskriften for elektroanlegg. Vennligst følg dette når du bruker vårt apparat.

Skal bare tilsluttes enfasevekselstrøm og bare til den på skiltet angitte nettspenning. Tilslutning til stikkontakter uten jordat kontakt er mulig fordi beskyttelse beskyttelsesklasse II er forhanden.

Påse at maskinen er slått av når du setter inn nettstøpset i stikkkontakten.

VEDLIKEHOLD

Hold alltid luftenåpningene på maskinen rene.

Ved hyppig slagboredrift bør chucken befris regelmessig for støv. Hold da maskinen med chucken loddrett nedover og åpne og lukk chucken over hele spennvidden. Det oppsamlede støvet faller da ut av chucken.

Regelmessig bruk av rengjøringspray (Id.nr. 4932 6217 19) på spennkjevene og spennkjevuhullene anbefales.

Er det skade på nettkabelen, må den skiftes av kundeservice, fordi det behøves spesialverktøy.

Bruk kun AEG tilbehør og reservedeler. Komponenter der utskifting ikke er beskrevet skal skiftes ut hos AEG kundeservice (se brosjyre garanti/kundeserviceadresser).

Ved behov kan du be om en eksplosjonstegning av apparatet hos din kundeservice eller direkte hos Techtronic Industries GmbH, Max-Eyth-Straße 10, 71364 Winnenden, Germany. Oppgi maskintype og det nummeret på typeskiltet.

SYMBOLER



OBS! ADVARSEL! FARE!



Trekk støpslet ut av stikkkontakten før du begynner arbeidet på maskinen.



Les nøye gjennom bruksanvisningen før maskinen tas i bruk.



Tilbehør - inngår ikke i leveransen, anbefalt komplettering fra tilbehørsprogrammet.



Elektriske apparat skal ikke kastes sammen med vanlig husholdningsavfall.

Elektriske og elektroniske apparat skal samles separat og leveres til miljøvennlig deponering til en avfall bedrift.

Informér deg hos myndighetene på stedet eller hos din fagforhandler hvor det finnes recycling bedrifter oppsamlingssteder.



Elektroverktøy av verneklasse II. Elektroverktøy hvor beskyttelse mot elektrisk slag ikke bare er avhengig av basisisoleringen, men som også er avhengig av at tilleggs vernetiltak som dobbelt eller forsterket isolering blir brukt. Det finnes ingen innretning for tilkobling av en beskyttelsesleder.



CE-tegn



Regulatory Compliance Mark (RCM). Produktet oppfyller gjeldende forskrifter.



Nasjonalt Konformitetstegn Ukraina



EurAsian Konformitetstegn.

TEKNISKA DATA

	BE 750 R	SBE 705 RE	SBE 705 RZ
Produktionsnummer	4491 61 04... ...000001-999999	4428 31 04... ...000001-999999	4494 91 04... ...000001-999999
Nominell opptagen effekt	750 W	705 W	705 W
Uteffekt	375 W	350 W	350 W
Tomgangsvarvtal, obelastad	0-3000 min ⁻¹	0-2800 min ⁻¹	0-2800 min ⁻¹
Belastat varvtal	1450 min ⁻¹	1600 min ⁻¹	1600 min ⁻¹
Belastat slagtal max.	- min ⁻¹	25600 min ⁻¹	25600 min ⁻¹
Statistisk blockeringsmoment *	27 Nm	25 Nm	25 Nm
Borrdiam. in betong	15 mm	15 mm	15 mm
Borrdiam. tegel, kalksten	20 mm	20 mm	20 mm
Borrdiam. in stål	13 mm	13 mm	13 mm
Borrdiam. in mjukt træ	30 mm	30 mm	30 mm
Chuckens spennområde	1,5-13 mm	1,5-13 mm	1,5-13 mm
Borrspindel	1/2"x20	1/2"x20	1/2"x20
Maskinhals diam	43 mm	43 mm	43 mm
Vikt enligt EPTA 01/2014	1,95 kg	1,95 kg	1,95 kg

* Uppmått enligt AEG norm N 877318

Bullerinformation

Måtværdene har tagits fram baserande på EN 60 745.

A-værdet av maskinens ljudnivå utgør:

Som borrar/skruvare:

Ljudtrycksnivå (Onoggrannhet K=3dB(A))	81,5 dB (A)	81,5 dB (A)	81,5 dB (A)
Ljudeffektsnivå (Onoggrannhet K=3dB(A))	92,5 dB (A)	92,5 dB (A)	92,5 dB (A)

som slagborr:

Ljudtrycksnivå (Onoggrannhet K=3dB(A))	-	89 dB (A)	89 dB (A)
Ljudeffektsnivå (Onoggrannhet K=3dB(A))	-	100 dB (A)	100 dB (A)

Använd hörselskydd!

Vibrationsinformation

Totala vibrationsvärden (vektorsumma ur tre riktningar) framtaget enligt EN 60745.

Borning i metall

Vibrationsemissionsvärde a _{h,DS}	3,4 m/s ²	3,4 m/s ²	3,4 m/s ²
Onoggrannhet K=	1,5 m/s ²	1,5 m/s ²	1,5 m/s ²

Slagborring i betong

Vibrationsemissionsvärde a _{h,1D}	20,2 m/s ²	20,2 m/s ²	20,2 m/s ²
Onoggrannhet K=	1,5 m/s ²	1,5 m/s ²	1,5 m/s ²

Skruvning

Vibrationsemissionsvärde a _h	2,5 m/s ²	2,5 m/s ²	2,5 m/s ²
Onoggrannhet K=	1,5 m/s ²	1,5 m/s ²	1,5 m/s ²

TEKNISKA DATA

	SBE 750 RZ	SBE 750 RE	SBE 750 RES
Produktionsnummer	4428 41 04... ...4494 96 04...	45 5701 03... ...4428 51 04...	4497 83 04...
Nominell opptagen effekt	750 W	750 W	750 W
Uteffekt	375 W	375 W	375 W
Tomgangsvarvtal, obelastad	0-3000 min ⁻¹	0-3000 min ⁻¹	0-3000 min ⁻¹
Belastat varvtal	1450 min ⁻¹	1450 min ⁻¹	1450 min ⁻¹
Belastat slagtal max.	23200 min ⁻¹	23200 min ⁻¹	23200 min ⁻¹
Statistisk blockeringsmoment *	27 Nm	27 Nm	27 Nm
Borrdiam. in betong	16 mm	16 mm	16 mm
Borrdiam. tegel, kalksten	20 mm	20 mm	20 mm
Borrdiam. in stål	13 mm	13 mm	13 mm
Borrdiam. in mjukt træ	30 mm	30 mm	30 mm
Chuckens spennområde	1,5-13 mm	1,5-13 mm	1,5-13 mm
Borrspindel	1/2"x20	1/2"x20	1/2"x20
Maskinhals diam	43 mm	43 mm	43 mm
Vikt enligt EPTA 01/2014	1,95 kg	1,95 kg	1,95 kg

Bullerinformation

Måtværdene har tagits fram baserande på EN 60 745.

A-værdet av maskinens ljudnivå utgør:

Som borrar/skruvare:

Ljudtrycksnivå (Onoggrannhet K=3dB(A))	81,5 dB (A)	81,5 dB (A)	81,5 dB (A)
Ljudeffektsnivå (Onoggrannhet K=3dB(A))	92,5 dB (A)	92,5 dB (A)	92,5 dB (A)

som slagborr:

Ljudtrycksnivå (Onoggrannhet K=3dB(A))	89 dB (A)	89 dB (A)	89 dB (A)
Ljudeffektsnivå (Onoggrannhet K=3dB(A))	100 dB (A)	100 dB (A)	100 dB (A)

Använd hörselskydd!

Vibrationsinformation

Totala vibrationsvärden (vektorsumma ur tre riktningar) framtaget enligt EN 60745.

Borning i metall

Vibrationsemissionsvärde a _{h,DS}	3,4 m/s ²	3,4 m/s ²	3,4 m/s ²
Onoggrannhet K=	1,5 m/s ²	1,5 m/s ²	1,5 m/s ²

Slagborring i betong

Vibrationsemissionsvärde a _{h,1D}	20,2 m/s ²	20,2 m/s ²	20,2 m/s ²
Onoggrannhet K=	1,5 m/s ²	1,5 m/s ²	1,5 m/s ²

Skruvning

Vibrationsemissionsvärde a _h	2,5 m/s ²	2,5 m/s ²	2,5 m/s ²
Onoggrannhet K=	1,5 m/s ²	1,5 m/s ²	1,5 m/s ²

VARNING

Den i de här anvisningarna angivna vibrationsnivån har uppmätts enligt ett i EN 60745 normerat mätförfarande och kan användas vid jämförelse mellan olika elverktyg. Nivån är även lämplig att använda vid en preliminär bedömning av vibrationsbelastningen.

Den angivna vibrationsnivån representerar den huvudsakliga användningen av det aktuella elverktyget. Men om elverktyget ska användas i andra användningsområden, tillsammans med avvikande insatsverktyg eller efter otillräckligt underhåll, kan vibrationsnivån skilja sig. Det kan öka vibrationsbelastningen betydligt under hela arbetstiden.

För att få en exaktare bedömning av vibrationsbelastningen ska även den tid beaktas, under vilken elverktyget är avstängt eller är påslaget, utan att det verkligen används. Det kan reducera vibrationsbelastningen betydligt under hela arbetstiden.

Lägg som skydd för användaren fast extra säkerhetsåtgärder mot vibrationernas verkan, som till exempel: underhåll av elverktyg och insatsverktyg, varmhållning av händer och organisering av arbetsförlopp.

⚠ VARNING! Läs all säkerhetsinformation och alla anvisningar. Fel som uppstår till följd av att anvisningarna nedan inte följts kan orsaka elstöt, brand och/eller allvarliga kroppsskador.
Förvara alla varningar och anvisningar för framtida bruk.

⚠ SÄKERHETSINSTRUKTIONER FÖR SLAGBOREMASKIN

Använd alltid hörselskydd när du använder en slagbormaskin. Buller kan leda till att du förlorar hörseln.

Använd de extrahandtag som levereras tillsammans med maskinen. Förlust av kontrollen kan leda till personskador.

Håll fast apparaten med hjälp av de isolerade greppytorna när du utför arbeten där arbetsverktyget skulle kunna träffa på dolda elledningar eller kablar. Om man kommer i kontakt med en spänningsförande ledning, så kan även de delar på verktyget som är av metall bli spänningsförande och leda till att man får en elektrisk stöt.

⚠ SÄKERHETSINSTRUKTIONER FÖR SKRUVDRAGARE

Håll alltid i verktyget på de isolerade handtagsytorna när du använder verktyget och när det finns risk att verktygshuvudet kan träffa dolda elledningar eller verktygets egen kabel. Skruvens kontakt med en strömförande ledning kan sätta apparatdelar av metall under spänning och leda till elektrisk stöt.

ÖVRIGA SÄKERHETS- OCH ANVÄNDNINGSSINSTRUKTIONER

Använd skyddsutrustning. Använd alltid skyddsglasögon när du använder maskinen. Som skyddsutrustning rekommenderar vi t ex en dammskyddsmask, skyddshandskar, stabila och halksäkra skor, hjälm och hörselskydd.

Det damm som bildas under arbetets gång är ofta hälsofarligt och det ska inte komma in i kroppen. Bär därför lämplig skyddsmask.

Det är inte tillåtet att bearbeta material som kan vara hälsovådligt (t.ex. asbest).

Stäng av maskinen omedelbart om ett verktyg som används sitter fast! Sätt sedan inte på maskinen igen så länge som verktyget som används fortfarande sitter fast; risk för okontrollerade slag med högt reaktionsmoment. Ta reda på orsaken varför verktyget fastnade och åtgärda orsaken med hänsyn till säkerhetsanvisningarna.

Möjliga orsaker kan vara:

- Verktyget sitter snett i arbetsstycket
- Verktyget går igenom materialet som bearbetas
- Elverktyget är överbelastat

Gå aldrig med händerna in i en maskin som är igång.

Verktyget som används kan bli mycket varmt under användningen.

VARNING! Risk för brännskador

- vid verktygsbyte
- när man lägger ifrån sig maskinen

Avlägsna aldrig spån eller flisor när maskinen är igång.

Avlägsna aldrig spån eller flisor när maskinen är igång.

Nätkabeln skall alltid hållas ifrån arbetsområdet. Lägg kabeln bakåt i förhållande till arbetsriktningen.

Vid arbetenborring i vägg, tak eller golv, var alltid observant på befintliga el-, gas- eller vattenledningar.

Säkra arbetsstycket med en fastspänningsanordning. Arbetsstycken som inte är ordentligt fastspända kan leda till allvarlig kroppsskada eller annan skada.

Drag alltid ur kontakten när du utför arbeten på maskinen.

När du arbetar med stora borrhållningar, måste du montera extrahandtaget på höger sida (se illustrationer, avdelning "vrida handtaget").

ANVÄND MASKINEN ENLIGT ANVISNINGARNA

Den elektroniska slagbormaskinen kan användas för borrning, slagbörning, skruvning och gångskärning.

Maskinen får endast användas för angiven tillämpning.

CE-FÖRSÄKRAN

Vi intygar och ansvarar för att den produkt som beskrivs under „Tekniska data“ överensstämmer med alla relevanta bestämmelser i direktiv 2011/65/EU (RoHS), 2014/30/EU, 2006/42/EG och följande harmoniserade normerande dokument:

EN 55014-1:2017
EN 60745-1:2009+A11:2010
EN 60745-2-1:2010
EN 60745-2-2:2010
EN 61000-3-3:2013
EN 61000-3-2:2014
EN 55014-2:2015
EN 50581:2012

Winnenden, 2018-02-26

Alexander Krug
Managing Director



Befullmäktigad att sammanställa teknisk dokumentation.

Techtronic Industries GmbH
Max-Eyth-Straße 10
71364 Winnenden
Germany

NÄTANSLUTNING

Anslut alltid verktyget till via en felströmbrytare (FI, RCD, PRCD) vid användning utomhus.

Får endast anslutas till 1-fas växelström och till den spänning som anges på dataskylten. Anslutning kan även ske till eluttag utan skyddskontakt, eftersom konstruktionen motsvarar skyddsklass II.

Maskinen skall vara fränslagen när kontakten anslutes till vägguttaget.

SKÖTSEL

Se till att motorhöljets luftslitsar är rena.

Vid frekvent slagborrande skall chocken göras ren från damm regelbundet. Då håller man maskinen lodrätt dedåt och öppnar och stänger chocken helt.

Det ansamlade dammet faller ur. Regelbunden användning av rengöringsspray (Art.nr. 4932 6217 19) rekommenderas.

Om nätkabeln är skadad, måste den bytas ut på en godkänd serviceverkstad, då det krävs specialverktyg för detta.

Använd endast AEG tillbehör och reservdelar. Reservdelar vars utbyte ej beskrivs bytes bäst av AEG auktoriserad serviceverkstad (se broschyr Garanti/Kundtjänstadresser).

Vid behov av sprängskiss, kan en sådan, genom att uppge maskinens art. nr. (som finns på typskylten) erhållas från: Techtronic Industries GmbH, Max-Eyth-Straße 10, 71364 Winnenden, Germany.

SYMBOLER



OBSERVERA! VARNING! FARA!



Drag alltid ur kontakten när du utför arbeten på maskinen.



Läs instruktionen noga innan du startar maskinen.



Tillbehör - Ingår ej i leveransomfånget, erhålles som tillbehör.



Elektriska maskiner och elverktyg som kasseras får inte slängas tillsammans med de vanliga hushållssoporna.

Elektriska maskiner och verktyg samt elektronisk utrustning som kasseras ska samlas separat och lämnas till en avfallsstation för miljövänlig avfallshantering. Kontakta den lokala myndigheten respektive kommunen eller fråga återförsäljare var det finns speciella avfallsstationer för elskrot.



Elverktyg skyddsklass II. Elverktyg hos vilket skyddet mot elstötar inte bara är avhängigt av basisoleringen utan också av att det finns extra skyddsåtgärder, som en dubbel isolering eller en förstärkt isolering. Det finns ingen anordning för anslutning av en skyddsledare.



CE-symbol



Regulatory Compliance Mark (RCM). Produkten uppfyller kraven i de gällande föreskrifterna.



Nationell symbol för överensstämmelse Ukraine



EurAsian överensstämmelsesymbol.

TEKNISET ARVOT	BE 750 R	SBE 705 RE	SBE 705 RZ
Tuotantnumero	4491 61 04...	4428 31 04...	4494 91 04...
Nimellinen teho	750 W	705 W	705 W
Antoteho	375 W	350 W	350 W
Kuormittamaton kierrosnopeus	0-3000 min ⁻¹	0-2800 min ⁻¹	0-2800 min ⁻¹
Kuormitettu kierrosnopeus maks.	1450 min ⁻¹	1600 min ⁻¹	1600 min ⁻¹
Kuormitettu iskutaajuus maks.	-	25600 min ⁻¹	25600 min ⁻¹
Staattinen pysäytysmomentti *	27 Nm	25 Nm	25 Nm
Poran ø betoniin	15 mm	15 mm	15 mm
Poran ø tiiliin ja kalkkihiekkakiviin	20 mm	20 mm	20 mm
Poran ø teräkseen	13 mm	13 mm	13 mm
Poran ø pehmeä puu	30 mm	30 mm	30 mm
Istukan aukeama	1,5-13 mm	1,5-13 mm	1,5-13 mm
Porakara	1/2"x20	1/2"x20	1/2"x20
Kiinnityskaulan ø	43 mm	43 mm	43 mm
Paino EPTA-menettelyn 01/2014 mukaan	1,95 kg	1,95 kg	1,95 kg
* Mitattu AEG normin N 877318 mukaan			

Melunpäästö tiedot
Mitta-arvot määritetty EN 60 745 mukaan.
Koneen tyyppillinen A-luokitettu melutaso:
Porana/ruuvaajana:

Melutaso (Epävarmuus K=3dB(A))	81,5 dB (A)	81,5 dB (A)	81,5 dB (A)
Äänenvoimakkuus (Epävarmuus K=3dB(A))	92,5 dB (A)	92,5 dB (A)	92,5 dB (A)

Iskuporana:
Melutaso (Epävarmuus K=3dB(A))

-	89 dB (A)	89 dB (A)
Äänenvoimakkuus (Epävarmuus K=3dB(A))	100 dB (A)	100 dB (A)

Käytä kuulosuojaimia!
Tärinätiedot
Värähtelyn yhteisarvot (kolmen suunnan vektorisummitattuna EN 60745 mukaan.
Metallin poraaminen

Värähtelyemissioarvo a _{h,ds}	3,4 m/s ²	3,4 m/s ²	3,4 m/s ²
Epävarmuus K=	1,5 m/s ²	1,5 m/s ²	1,5 m/s ²

Betonin iskuporaaminen

Värähtelyemissioarvo a _{h,ld}	20,2 m/s ²	20,2 m/s ²	20,2 m/s ²
Epävarmuus K=	1,5 m/s ²	1,5 m/s ²	1,5 m/s ²

Ruuvinvääntö

Värähtelyemissioarvo a _h	2,5 m/s ²	2,5 m/s ²	2,5 m/s ²
Epävarmuus K=	1,5 m/s ²	1,5 m/s ²	1,5 m/s ²

TEKNISET ARVOT	SBE 750 RZ	SBE 750 RE	SBE 750 RES
Tuotantnumero	4428 41 04...	45 5701 03...	4497 83 04...
Nimellinen teho	750 W	750 W	750 W
Antoteho	375 W	375 W	375 W
Kuormittamaton kierrosnopeus	0-3000 min ⁻¹	0-3000 min ⁻¹	0-3000 min ⁻¹
Kuormitettu kierrosnopeus maks.	1450 min ⁻¹	1450 min ⁻¹	1450 min ⁻¹
Kuormitettu iskutaajuus maks.	23200 min ⁻¹	23200 min ⁻¹	23200 min ⁻¹
Staattinen pysäytysmomentti *	27 Nm	27 Nm	27 Nm
Poran ø betoniin	16 mm	16 mm	16 mm
Poran ø tiiliin ja kalkkihiekkakiviin	20 mm	20 mm	20 mm
Poran ø teräkseen	13 mm	13 mm	13 mm
Poran ø pehmeä puu	30 mm	30 mm	30 mm
Istukan aukeama	1,5-13 mm	1,5-13 mm	1,5-13 mm
Porakara	1/2"x20	1/2"x20	1/2"x20
Kiinnityskaulan ø	43 mm	43 mm	43 mm
Paino EPTA-menettelyn 01/2014 mukaan	1,95 kg	1,95 kg	1,95 kg
* Mitattu AEG normin N 877318 mukaan			

Melunpäästö tiedot
Mitta-arvot määritetty EN 60 745 mukaan.
Koneen tyyppillinen A-luokitettu melutaso:
Porana/ruuvaajana:

Melutaso (Epävarmuus K=3dB(A))	81,5 dB (A)	81,5 dB (A)	81,5 dB (A)
Äänenvoimakkuus (Epävarmuus K=3dB(A))	92,5 dB (A)	92,5 dB (A)	92,5 dB (A)

Iskuporana:
Melutaso (Epävarmuus K=3dB(A))

89 dB (A)	89 dB (A)	89 dB (A)
Äänenvoimakkuus (Epävarmuus K=3dB(A))	100 dB (A)	100 dB (A)

Käytä kuulosuojaimia!
Tärinätiedot
Värähtelyn yhteisarvot (kolmen suunnan vektorisummitattuna EN 60745 mukaan.
Metallin poraaminen

Värähtelyemissioarvo a _{h,ds}	3,4 m/s ²	3,4 m/s ²	3,4 m/s ²
Epävarmuus K=	1,5 m/s ²	1,5 m/s ²	1,5 m/s ²

Betonin iskuporaaminen

Värähtelyemissioarvo a _{h,ld}	20,2 m/s ²	20,2 m/s ²	20,2 m/s ²
Epävarmuus K=	1,5 m/s ²	1,5 m/s ²	1,5 m/s ²

Ruuvinvääntö

Värähtelyemissioarvo a _h	2,5 m/s ²	2,5 m/s ²	2,5 m/s ²
Epävarmuus K=	1,5 m/s ²	1,5 m/s ²	1,5 m/s ²

VAROITUS
Näissä ohjeissa mainittu värähtelytaso on mitattu EN 60745 -standardin mukaisella mittausmenetelmällä ja sitä voidaan käyttää sähkötyökalujen vertaamiseen. Sitä voidaan käyttää myös värähtelyrasituksen väliaikaiseen arviointiin.
Mainittu värähtelytaso edustaa sähkötyökalun pääasiallista käyttöä. Jos sähkötyökalua kuitenkin käytetään muihin tehtäviin, poikkeavin työkaluun tai riittämättömästi huoltaen, värähtelytaso voi olla erilainen. Se voi korottaa värähtelyrasitusta koko työajan osalta.
Tarkan värähtelyrasituksen toteamiseen tulee ottaa huomioon aika, jona laite on kytketty pois tai on kylmän päällä, mutta ei käytössä. Se voi pienentää värähtelyrasitusta koko työajan osalta.
Määrittele lisäturvatoimenpiteitä käyttäjän suojaamiseksi värinöiden vaikutukselta, kuten esimerkiksi: sähkötyökalujen ja käyttötyökalujen huolto, käsien lämpiminä pitäminen, työvaiheiden organisaatio.

VAROITUS! Lue kaikki turvallisuusmääräykset ja ohjeet. Turvallisuusohjeiden noudattamisen laiminlyönti saattaa johtaa sähköiskuun, tulipaloon ja/tai vakavaan loukkaantumiseen.
Säilytä kaikki turvallisuus- ja muut ohjeet tulevaisuutta varten.

ISKUPORAKONE TURVALLISUUSMÄÄRÄYKSET

Käytä kuulosuojaimia iskuporattaessa. Melulle altistuminen voi heikentää kuuloa.

Käytä koneen mukana toimitettua apukahvaa. Koneen hallinnan menetys saattaa aiheuttaa henkivahinkoja.

Pitele laitetta vain eristetyistä tarttumapinnoista, kun suoritat sellaisia töitä, joissa leikkaustyökalu saattaa osua piilossa oleviin sähköjohtoihin tai omaan liitäntäjohtoon. Leikkaustyökalun yhteys jännitteelliseen johtoon saattaa tehdä laitteen metalliset osat jännitteellisiksi ja aiheuttaa sähköiskun.

RUUVINVÄÄNTIMEN TURVALLISUUSMÄÄRÄYKSET

Pitele laitteesta kiinni sen eristetyistä kahvapinnoista suorittaessasi töitä, joiden aikana liitetty työkalu saattaa osua piilossa oleviin sähköjohtoihin tai laitteen omaan verkkojohtoon. Ruuvien kosketus jännitteelliseen johtoon saattaa tehdä laitteen metalliosat jännitteellisiksi ja aiheuttaa sähköiskun.

TÄYDENTÄVIÄ TURVALLISUUSMÄÄRÄYKSIÄ JA TYÖKENTELYOHJEITA

Käytä suojavarusteita. Käytä aina suojalaseja käyttäessasi konetta. Suosittelemme suojavarusteiden käyttöä, näihin kuuluvat pölysuojanaamari, työkasineet, tukevat, luistamattomat jalkineet, kypärä ja kuulosuojukset.

Koneen käytöstä aiheutuva pöly ja jäte voi olla haitallista terveydelle eikä sen vuoksi tulisi päästä kosketukseen ihon kanssa. Koneella työskennellessä on käytettävä sopivaa suojausta.

Terveydellisiä vaaroja aiheuttavien materiaalien (esim. asbestin) työstäminen on kielletty.

Jos käytetty työkalu juuttuu kiinni, sammuta laite heti! Älä kytke laitetta uudelleen päälle työkalun ollessa vielä kiinni juuttuneena, koska tästä saattaa aiheutua voimakas takaisku. Selvitä työkalun juuttumisen syy ja poista syy turvallisuusmääräyksiä noudattaen.

Mahdollisia syitä voivat olla:
• työkalun vinoutuminen työstökappaleessa
• työstetyn materiaalin puhkaiseminen
• sähkötyökalun ylikuormitus

Älä tartu käynnissä olevan koneen työosiin.

Käytetty työkalu saattaa kuumeta käytön aikana.
VAROITUS! Palovamman vaara

• työkalua vaihdettaessa
• laitetta pois laskettaessa
Lastuja tai puruja ei saa poistaa koneen käydessä.
Lastuja tai puruja ei saa poistaa koneen käydessä.
Pidä sähköjohto poissa koneen käyttöalueelta. Siirrä se aina taaksesi.
Varo seinään, kattoon tai lattiaan porattaessa osumasta sähköjohtoon, kaasu- ja vesijohtoihin.
Varmista työstökappaleesi kiinnitysliitteellä paikalleen. Varmistamattomat työstökappaleet saattavat aiheuttaa vakavia vammoja ja vaurioita.
Irota aina pistotulppa seinäkoskettimesta ennen koneeseen tehtäviä toimenpiteitä.
Suuret poranhalkaisijat edellyttävät, että tukikädensija on suorassa kulmassa pääkädensijaan nähden (katso kuvaa, osassa "Kädensijan kiertäminen").

TARKOITUKSEN MUKAINEN KÄYTTÖ

Elektronista iskuporaa/ruuvinväännintä voidaan käyttää poraukseen, iskuporaukseen, ruuvinvääntöön ja kierteitykseen.



Älä käytä tuotetta ohjeiden vastaisesti.

TODISTUS CE-STANDARDIN MUKAISUUDESTA

Vakuutamme yksinvastuullisesti, että kohdassa „Tekniset tiedot“ kuvattu tuote vastaa kaikkia sitä koskevia direktiivien 2011/65/EU (RoHS), 2014/30/EU, 2006/42/EY määräyksiä sekä seuraavia harmonisoituja standardisoivia asiakirjoja:

- EN 55014-1:2017
- EN 60745-1:2009+A11:2010
- EN 60745-2-1:2010
- EN 60745-2-2:2010
- EN 61000-3-3:2013
- EN 61000-3-2:2014
- EN 55014-2:2015
- EN 50581:2012

Winnenden, 2018-02-26

Alexander Drug
Managing Director

Valtuutettu kokoamaan tekniset dokumentit.

Technic-Industries GmbH
Max-Eyth-Straße 10
71364 Winnenden
Germany

VERKKOLIITÄNTÄ

Ulkokäytössä olevat pistorasiat on varustettava vikavirtasuojajakytkimillä (FI, RCD PRCD) sähkölaitteistosi asennusmääräyksen mukaisesti. Muista tarkistaa, että laite liitetään ulkokäytössä ulkopistorasiaan ja neuvottele asiasta sähköasentajasi kanssa.

Yhdistä ainoastaan yksivaiheiseen vaihtovirtaan, jonka verkkojännite on sama kuin tyyppikilvessä ilmoitettu. Myös liittäminen maadoittamattomiin pistorasioihin on mahdollista, sillä rakenne vastaa turvallisuusluokkaa II.

Laitteen käynnistyskytkin on oltava 0- asennossa, kun tulppa työnnetään pistorasiaan.

HUOLTO

Pidä moottorin ilmanottoaukot puhtaina.

Enimmäkseen iskuporauksessa käytetyn porakoneen istukka on puhdistettava säännöllisesti. Pölyn poistamiseksi istukasta, kone pidetään pystyasennossa, istukka alaspäin suunnattuna ja istukka avataan ja suljetaan kokonaan useita kertoja. Näin istukkaan kerääntynyt pöly irtoaa ja putoaa alas.

On suositeltavaa, että kiristysleuat porauksineen puhdistetaan säännöllisesti puhdistusaineella (osanumero 4932 6217 19).

Jos verkkoliitäntäjohto on vioittunut, niin huoltopalvelun täytyy vaihtaa se uuteen, koska vain heillä on tähän tarvittavat erikoistyökalut.

Käytä vain AEG:n lisälaitteita ja varaosia. Käytä ammattitaitoisten AEG-huoltosopimusliikkeiden palveluja muiden kuin käyttöohjeessa kuvattujen osien vaihdossa. (esite takuu/huoltoliikeluettelo).

Tarpeen vaatiessa voit pyytää lähettämään laitteen kokoonpanopiirustuksen ilmoittamalla arvokilven numeron seuraavasta osoitteesta: Techtronic Industries GmbH, Max-Eyth-Straße 10, 71364 Winnenden, Germany.

SYMBOLIT



HUOMIO! VAROITUS! VAARA!



Irrota aina pistotulppa seinäkoskettimesta ennen koneeseen tehtäviä toimenpiteitä.



Lue käyttöohjeet huolellisesti, ennen koneen käynnistämistä.



Lisälaitte - Ei sisälly vakiovarustukseen, saatavana lisätarvikkeena.



Sähkölaitteita ei saa hävittää yhdessä kotitalousjätteiden kanssa. Sähkö- ja elektroniset laitteet tulee kerätä erikseen ja toimittaa kierrätysliikkeeseen ympäristöstäytävällistä hävittämistä varten. Pyydä paikallisilta viranomaisilta tai alan kauppiailtasi tarkemmat tiedot kierrätyspisteistä ja keräyspaikoista.



Suojaluokan II sähkötyökalu. Sähkötyökalu, jonka sähköiskunsuojaus ei ole riippuvainen ainoastaan peruseristyksestä, vaan myös siitä, että käytetään lisäturvatoimia, kuten kaksinkertaista eristystä tai vahvistettua eristystä. Laitteessa ei ole suojaajojen liittämiseen tarvittavia varusteita.



CE-merkki



Regulatory Compliance Mark (RCM). Tuote on pätevien ohjesääntöjen mukainen.



Kansallinen standardinmukaisuusmerkki Ukraina



EurAsian-vaatimustenmukaisuusmerkki.

TEKNIKA SΤΟΙΧΕΙΑ

	BE 750 R	SBE 705 RE	SBE 705 RZ
Αριθμός παραγωγής.....	4491 61 04.....	4428 31 04.....	4494 91 04.....
Ονομαστική ισχύς.....	750 W.....	705 W.....	705 W.....
Αποδιδόμενη ισχύς.....	375 W.....	350 W.....	350 W.....
Αριθμός στροφών χωρίς φορτίο.....	0-3000 min ⁻¹	0-2800 min ⁻¹	0-2800 min ⁻¹
Μέγιστος αριθμός στροφών με φορτίο.....	1450 min ⁻¹	1600 min ⁻¹	1600 min ⁻¹
Μέγιστος αριθμός κρούσεων σε φορτίο.....	- min ⁻¹	25600 min ⁻¹	25600 min ⁻¹
Στατική ροπή εμπλοκής *.....	27 Nm.....	25 Nm.....	25 Nm.....
Διάμετρος τρύπας σε σκυρόδεμα (μπετόν).....	15 mm.....	15 mm.....	15 mm.....
Διάμετρος τρύπας σε τούβλο και ασβεστόλιθο.....	20 mm.....	20 mm.....	20 mm.....
Διάμετρος τρύπας σε χάλυβα.....	13 mm.....	13 mm.....	13 mm.....
Διάμετρος τρύπας σε μαλακό ξύλο.....	30 mm.....	30 mm.....	30 mm.....
Περιοχή σύσφιξης του τσοκ.....	1,5-13 mm.....	1,5-13 mm.....	1,5-13 mm.....
Ατρακτος δράπανου.....	1/2"x20.....	1/2"x20.....	1/2"x20.....
Διάμετρος λαιμού σύσφιξης.....	43 mm.....	43 mm.....	43 mm.....
Βάρος σύμφωνα με τη διαδικασία EPTA 01/2014.....	1,95 kg.....	1,95 kg.....	1,95 kg.....
* Μετρημένη σύμφωνα με το πρότυπο της AEG N			

Πληροφορίες θορύβου

Τιμές μέτρησης εξακριβωμένες κατά EN 60 745.

Η σύμφωνα με την καμπύλη A εκτιμηθείσα στάθμη θορύβου του μηχανήματος αναφέρεται σε:

Ως δρόπανο/κατσαβίδι:

Στάθμη ηχητικής πίεσης (Ανασφάλεια K=3dB(A)).....	81,5 dB (A).....	81,5 dB (A).....	81,5 dB (A).....
Στάθμη ηχητικής ισχύος (Ανασφάλεια K=3dB(A)).....	92,5 dB (A).....	92,5 dB (A).....	92,5 dB (A).....

Ως κρουστικό δρόπανο:

Στάθμη ηχητικής πίεσης (Ανασφάλεια K=3dB(A)).....	-.....	89 dB (A).....	89 dB (A).....
Στάθμη ηχητικής ισχύος (Ανασφάλεια K=3dB(A)).....	-.....	100 dB (A).....	100 dB (A).....

Φοράτε προστασία ακοής (ωασιπίδες)!

Πληροφορίες δονήσεων

Υλικές τιμές κραδασμών (άθροισμα διανυσμάτων τριών διευθύνσεων) εξακριβώθηκαν σύμφωνα με τα πρότυπα EN 60745.

Τρύπτες σε μέταλλο

Τιμή εκπομπής δονήσεων a _{h,ds}	3,4 m/s ²	3,4 m/s ²	3,4 m/s ²
Ανασφάλεια K=.....	1,5 m/s ²	1,5 m/s ²	1,5 m/s ²

Κρουστικό τρυπάνι σε μπετόν

Τιμή εκπομπής δονήσεων a _{h,10}	-.....	20,2 m/s ²	20,2 m/s ²
Ανασφάλεια K=.....	-.....	1,5 m/s ²	1,5 m/s ²

Βίδωμα

Τιμή εκπομπής δονήσεων a _h	2,5 m/s ²	2,5 m/s ²	2,5 m/s ²
Ανασφάλεια K=.....	1,5 m/s ²	1,5 m/s ²	1,5 m/s ²

TEKNIKA SΤΟΙΧΕΙΑ

	SBE 750 RZ	SBE 750 RE	SBE 750 RES
Αριθμός παραγωγής.....	4428 41 04.....	4428 51 04.....	4497 83 04.....
Ονομαστική ισχύς.....	750 W.....	750 W.....	750 W.....
Αποδιδόμενη ισχύς.....	375 W.....	375 W.....	375 W.....
Αριθμός στροφών χωρίς φορτίο.....	0-3000 min ⁻¹	0-3000 min ⁻¹	0-3000 min ⁻¹
Μέγιστος αριθμός στροφών με φορτίο.....	1450 min ⁻¹	1450 min ⁻¹	1450 min ⁻¹
Μέγιστος αριθμός κρούσεων σε φορτίο.....	23200 min ⁻¹	23200 min ⁻¹	23200 min ⁻¹
Στατική ροπή εμπλοκής *.....	27 Nm.....	27 Nm.....	27 Nm.....
Διάμετρος τρύπας σε σκυρόδεμα (μπετόν).....	16 mm.....	16 mm.....	16 mm.....
Διάμετρος τρύπας σε τούβλο και ασβεστόλιθο.....	20 mm.....	20 mm.....	20 mm.....
Διάμετρος τρύπας σε χάλυβα.....	13 mm.....	13 mm.....	13 mm.....
Διάμετρος τρύπας σε μαλακό ξύλο.....	30 mm.....	30 mm.....	30 mm.....
Περιοχή σύσφιξης του τσοκ.....	1,5-13 mm.....	1,5-13 mm.....	1,5-13 mm.....
Ατρακτος δράπανου.....	1/2"x20.....	1/2"x20.....	1/2"x20.....
Διάμετρος λαιμού σύσφιξης.....	43 mm.....	43 mm.....	43 mm.....
Βάρος σύμφωνα με τη διαδικασία EPTA 01/2014.....	1,95 kg.....	1,95 kg.....	1,95 kg.....
* Μετρημένη σύμφωνα με το πρότυπο της AEG N			

Πληροφορίες θορύβου

Τιμές μέτρησης εξακριβωμένες κατά EN 60 745.

Η σύμφωνα με την καμπύλη A εκτιμηθείσα στάθμη θορύβου του μηχανήματος αναφέρεται σε:

Ως δρόπανο/κατσαβίδι:

Στάθμη ηχητικής πίεσης (Ανασφάλεια K=3dB(A)).....	81,5 dB (A).....	81,5 dB (A).....	81,5 dB (A).....
Στάθμη ηχητικής ισχύος (Ανασφάλεια K=3dB(A)).....	92,5 dB (A).....	92,5 dB (A).....	92,5 dB (A).....

Ως κρουστικό δρόπανο:

Στάθμη ηχητικής πίεσης (Ανασφάλεια K=3dB(A)).....	89 dB (A).....	89 dB (A).....	89 dB (A).....
Στάθμη ηχητικής ισχύος (Ανασφάλεια K=3dB(A)).....	100 dB (A).....	100 dB (A).....	100 dB (A).....

Φοράτε προστασία ακοής (ωασιπίδες)!

Πληροφορίες δονήσεων

Υλικές τιμές κραδασμών (άθροισμα διανυσμάτων τριών διευθύνσεων) εξακριβώθηκαν σύμφωνα με τα πρότυπα EN 60745.

Τρύπτες σε μέταλλο

Τιμή εκπομπής δονήσεων a _{h,ds}	3,4 m/s ²	3,4 m/s ²	3,4 m/s ²
Ανασφάλεια K=.....	1,5 m/s ²	1,5 m/s ²	1,5 m/s ²

Κρουστικό τρυπάνι σε μπετόν

Τιμή εκπομπής δονήσεων a _{h,10}	20,2 m/s ²	20,2 m/s ²	20,2 m/s ²
Ανασφάλεια K=.....	1,5 m/s ²	1,5 m/s ²	1,5 m/s ²

Βίδωμα

Τιμή εκπομπής δονήσεων a _h	2,5 m/s ²	2,5 m/s ²	2,5 m/s ²
Ανασφάλεια K=.....	1,5 m/s ²	1,5 m/s ²	1,5 m/s ²

ΠΡΟΕΙΔΟΠΟΙΗΣΗ

Το αναφερόμενο σ' αυτές τις οδηγίες επίπεδο δονήσεων έχει μετρηθεί με μια τυποποιημένη σύμφωνα με το EN 60745 μέθοδο μέτρησης και μπορεί να χρησιμοποιηθεί για τη σύγκριση των ηλεκτρικών εργαλείων μεταξύ τους. Αυτό είναι επίσης κατάλληλο για μια προσωρινή εκτίμηση της επιβάρυνσης των δονήσεων.

Το αναφερόμενο επίπεδο δονήσεων αντιπροσωπεύει τις κύριες χρήσεις του ηλεκτρικού εργαλείου. Εάν όμως το ηλεκτρικό χρησιμοποιείται σε άλλες χρήσεις, με διαφορετικά εργαλεία εφαρμογής ή ανεπαρκή συντήρηση, μπορεί να υπάρξει απόκλιση του επιπέδου δονήσεων. Αυτό μπορεί να αυξήσει σημαντικά την επιβάρυνση των δονήσεων για τη συνολική διάρκεια της εργασίας.

Για μια ακριβή εκτίμηση της επιβάρυνσης των δονήσεων οφείλουν επίσης να λαμβάνονται υπόψη οι χρόνοι, στους οποίους η συσκευή είναι απενεργοποιημένη ή είναι με ενεργοποιημένη αλλά δεν χρησιμοποιείται πραγματικά. Αυτό μπορεί να μειώσει σημαντικά την επιβάρυνση των δονήσεων για τη συνολική διάρκεια της εργασίας.

Καθορίζετε πρόσθετα μέτρα ασφαλείας για την προστασία του χειριστή από την επίδραση των δονήσεων όπως για παράδειγμα: Συντήρηση του ηλεκτρικού εργαλείου και των εργαλείων εφαρμογής, διατηρείτε ζεστά τα χέρια, οργάνωση των διαδικασιών εργασίας.

⚠ ΠΡΟΣΟΧΗ! Διαβάστε όλες τις οδηγίες ασφαλείας και τις οδηγίες χρήσεως. Αμέλειες κατά την τήρηση των προειδοποιητικών υποδείξεων μπορεί να προκαλέσουν ηλεκτροπληξία, κίνδυνο πυρκαγιάς ή/και σοβαρούς τραυματισμούς.
Φυλάξτε όλες τις προειδοποιητικές υποδείξεις και οδηγίες για κάθε μελλοντική χρήση.

⚠ ΟΔΗΓΙΕΣ ΑΣΦΑΛΕΙΑΣ ΓΙΑ ΚΡΟΥΣΤΑ ΤΡΥΠΑΝΙ

Κατά την κρουστική διάτρηση φοράτε ωτοασπίδες. Η επίδραση του θορύβου μπορεί να προκαλέσει απώλεια ακοής.

Χρησιμοποιείτε με τη συσκευή τις προμηθευόμενες πρόσθετες χειρολαβές. Η απώλεια ελέγχου μπορεί να οδηγήσει σε τραυματισμό.

Να πιάνετε τη συσκευή στις μονωμένες χειρολαβές όταν εκτελείτε εργασίες κατά τις οποίες τα κοπτικά εργαλεία θα μπορούσαν να πέσουν επάνω σε κρυμμένα καλώδια ρεύματος ή στο δικό της καλώδιο. Η επαφή των κοπτικών εργαλείων με αγνώστου προφθοδοσίας τάσης μπορεί να θέσει τα μεταλλικά τμήματα της συσκευής υπ' όψιν και να προκαλέσει ηλεκτροπληξία.

⚠ ΟΔΗΓΙΕΣ ΑΣΦΑΛΕΙΑΣ ΓΙΑ ΤΡΥΠΑΝΙΑ

Κατά τη διεκπεραίωση εργασιών με το μηχάνημα, για τις οποίες τα εργαλεία που χρησιμοποιείτε μπορεί να ακουμπήσουν αγωγούς ρεύματος που δεν φαίνονται ή το καλώδιο του ίδιου του μηχανήματος, πρέπει να κρατάτε το μηχάνημα από τις μονωμένες επιφάνειες των λαβών. Η επαφή της βίδας μ' ένα ηλεκτροφόρο καλώδιο μπορεί να προκαλέσει τη μεταφορά ρεύματος στα μεταλλικά εξαρτήματα της συσκευής και να οδηγήσει σε ηλεκτροπληξία.

ΠΕΡΑΙΤΕΡΩ ΟΔΗΓΙΕΣ ΑΣΦΑΛΕΙΑΣ ΚΑΙ ΧΡΗΣΕΩΣ

Χρησιμοποιείτε προστατευτικό εξοπλισμό. Κατά την εργασία με τη μηχανή φοράτε πάντα προστατευτικά γυαλιά. Συνιστούμε επίσης προστατευτική ενδυμασία όπως επίσης μάσκα προστασίας αναπνοής, προστατευτικά γάντια, σταθερά και ασφαλή στην ολιόθηση υποδήματα, κράνος και ωτοασπίδες.

Η σκόνη που δημιουργείται κατά την εργασία είναι συχνά επιβλαβής για την υγεία και δεν επιτρέπεται να έλθει στο σώμα. Να φοράτε κατάλληλη μάσκα προστασίας από σκόνη.

Μην επεξεργάζεστε επικίνδυνα για την υγεία υλικά (π.χ. αμίαντος).

Σε περίπτωση μπλοκαρίσματος της αρίδας απενεργοποιείτε αμέσως τη συσκευή! Μην ενεργοποιείτε εκ νέου τη συσκευή όσο η αρίδα είναι μπλοκαρισμένη. Σ' αυτή τη περίπτωση θα μπορούσε να προκύψει υψηλή ροπή αντίδρασης. Βρείτε την αιτία του μπλοκαρίσματος της αρίδας και ξεμπλοκάρτε την λαμβάνοντας υπόψη τις οδηγίες ασφαλείας.

Πιθανές αιτίες:

- Η αρίδα μάγκωσε με το προς κατεργασία κομμάτι.
- Σπάσιμο του προς κατεργασία υλικού.
- Υπερφόρτωση του ηλεκτρικού εργαλείου.

Μην απλώνετε τα χέρια σας στην επικίνδυνη περιοχή της μηχανής όταν είναι σε λειτουργία.

Η θερμοκρασία της αρίδας μπορεί να φτάσει σε υψηλά επίπεδα κατά τη λειτουργία.

ΠΡΟΕΙΔΟΠΟΙΗΣΗ! Κίνδυνος εγκαύματος

- κατά την αλλαγή εργαλείου (αρίδας)
- κατά την απόθεση της συσκευής

Τα γρέζια ή οι σκληθρες δεν επιτρέπεται να απομακρύνονται όσο η μηχανή βρίσκεται σε λειτουργία.

Κρατάτε το καλώδιο σύνδεσης πάντοτε μακριά από την περιοχή δράσης της μηχανής. Πάντοτε το καλώδιο πάντοτε πίσω από τη μηχανή.

Κατά τις εργασίες σε τοίχο, οροφή ή δάπεδο προσέχετε για τυχόν ηλεκτρικά καλώδια και για σωλήνες αερίου και νερού.

Ασφαλίστε το προς κατεργασία κομμάτι στη μέγνη ή με μια άλλη διάταξη στερέωσης. Μη ασφαλισμένα προς κατεργασία κομμάτια μπορεί να προκαλέσουν σοβαρούς τραυματισμούς και ζημιές.

Πριν από κάθε εργασία στη μηχανή τραβάτε το φως από την πρίζα.

Σε μεγάλες διαμέτρους διάτρησης πρέπει η συμπληρωματική χειρολαβή να στερεωθεί με ορθή γωνία προς την κύρια χειρολαβή. (Βλέπε επίσης στην εικόνα, τμήμα "Περιστροφή χειρολαβής").

ΧΡΗΣΗ ΣΥΜΦΩΝΑ ΜΕ ΤΟ ΣΚΟΠΟ ΠΡΟΟΡΙΣΜΟΥ

Το ηλεκτρονικό κρουστικό τρυπάνι/κατσαβίδι μπορεί να χρησιμοποιηθεί γενικά για απλό τρύπημα, τρύπημα με κρούση, βίδωμα και σπειροτόμηση.

Αυτή η συσκευή επιτρέπεται να χρησιμοποιηθεί μόνο σύμφωνα με τον αναφερόμενο σκοπό προορισμού.

ΔΗΛΩΣΗ ΠΙΣΤΟΤΗΤΑΣ ΕΚ

Δηλώνουμε υπεύθυνα ότι το προϊόν που περιγράφεται στο κεφάλαιο «Τεχνικά χαρακτηριστικά» είναι συμβατό με τις διατάξεις της Κοινοτικής Οδηγίας 2011/65/EU (RoHS), 2014/30/EE, 2006/42/EK και με τα ακόλουθα εναρμονισμένα κανονιστικά έγγραφα:

EN 55014-1:2017
EN 60745-1:2009+A11:2010
EN 60745-2-1:2010
EN 60745-2-2:2010
EN 61000-3-3:2013
EN 61000-3-2:2014
EN 55014-2:2015
EN 50581:2012

Winnenden, 2018-02-26

Alexander Krug

Alexander Krug
Managing Director



Εξουσιοδοτημένος να συντάξει τον τεχνικό φάκελο.

Techtronic Industries GmbH
Max-Eyth-Straße 10
71364 Winnenden
Germany

ΣΥΝΔΕΣΗ ΣΤΟ ΗΛΕΚΤΡΙΚΟ ΔΙΚΤΥΟ

Οι πρίζες στους εξωτερικούς χώρους πρέπει να είναι εξοπλισμένες με μικροαυτόματους διακόπτες προστασίας (FI, RCD, PRCD). Αυτό απαιτεί ο σχετικός κανονισμός από την ηλεκτρική σας εγκατάσταση. Προσέξτε παρακαλώ αυτό το σημείο κατά τη χρήση της συσκευής μας.

Συνδέετε μόνο σε μονοφασικό εναλλασσόμενο ρεύμα και μόνο σε τάση δικτύου όπως αναφέρεται στην πινακίδα τεχνικών χαρακτηριστικών. Η σύνδεση είναι επίσης εφικτή σε πρίζες χωρίς προστασία επαφής, διότι έχει προβλεφθεί εξοπλισμός κατηγορίας προστασίας II.

Συνδέστε τη συσκευή στην πρίζα μόνο όταν είναι απενεργοποιημένη.

ΣΥΝΤΗΡΗΣΗ

Διατηρείτε πάντοτε τις σχισμές εξαερισμού της μηχανής καθαρές.

Σε περίπτωση συχνής λειτουργίας ως κρουστικό τρυπάνι πρέπει να καθαρίζετε το τσοκ τακτικά από τη σκόνη. Για το σκοπό αυτόν κρατήστε τη μηχανή με το τσοκ κάθετα προς τα κάτω και ανοίξτε το τσοκ σ' όλο το εύρος σύσφιξης και κλείστε το ξανά. Έτσι πέφτει από το τσοκ η συγκεντρωμένη σκόνη.

Συνιστάται η τακτική χρήση σπρέι καθαρισμού (αριθ. προϊόντος 4932 6217 19) στις σιαγόνες σύσφιξης και στις οπές των σιαγόνων σύσφιξης.

Όταν έχει υποστεί ζημιά το καλώδιο ηλεκτρικής σύνδεσης, πρέπει αυτό να αντικατασταθεί σε μια υπηρεσία τεχνικής υποστήριξης πελατών, διότι απαιτείται ειδικό εργαλείο.

Χρησιμοποιείτε μόνο εξαρτήματα και ανταλλακτικά της AEG. Αναθέστε την αλλαγή των εξαρτημάτων, των οποίων η αντικατάσταση δεν έχει περιγραφεί, σ' ένα κέντρο σέρβις της AEG (προσέξτε το εγχειρίδιο Εγγύηση/Διευθύνσεις εξυπηρέτησης πελατών).

Όταν χρειάζεται, μπορείτε να ζητήσετε ένα σχέδιο συναρμολόγησης της συσκευής, δίνοντας τον τύπο της μηχανής και αριθμό στην πινακίδα ισχύος, από το κέντρο σέρβις ή απευθείας από τη φίρμα Techtronic Industries GmbH, Max-Eyth-Straße 10, 71364 Winnenden, Germany.

ΣΥΜΒΟΛΑ



ΠΡΟΣΟΧΗ! ΠΡΟΕΙΔΟΠΟΙΗΣΗ! ΚΙΝΔΥΝΟΣ!



Πριν από κάθε εργασία στη μηχανή τραβάτε το φως από την πρίζα.



Παρακαλώ διαβάστε σχολαστικά τις οδηγίες χρήσης πριν από την έναρξη λειτουργίας.



Εξαρτήματα - Δεν περιλαμβάνονται στα υλικά παράδοσης, συνιστούμε προσθήκη από το πρόγραμμα εξαρτημάτων.



Ηλεκτρικά μηχανήματα δεν επιτρέπεται να απορρίπτονται μαζί με τα οικιακά απορρίμματα. Ηλεκτρικά και ηλεκτρονικά μηχανήματα συλλέγονται ξεχωριστά και παραδίδονται προς ανακύκλωση με τρόπο φιλικό προς το περιβάλλον σε επιχείρηση επεξεργασίας απορριμμάτων. Ενημερωθείτε από τις τοπικές υπηρεσίες ή από ειδικευμένους εμπόρους σχετικά με κέντρα ανακύκλωσης και συλλογής απορριμμάτων.



Ηλεκτρικό εργαλείο κατηγορίας ασφάλειας II. Ηλεκτρικό εργαλείο στο οποίο η προστασία από ηλεκτροπληξία δεν εξαρτάται μόνο από την βασική μόνωση αλλά και από συμπληρωματικά μέτρα ασφαλείας όπως διπλή ή ενισχυμένη μόνωση. Δεν υπάρχει εξοπλισμός για να συνδεθεί με την γείωση.



Σήμα συμμόρφωσης CE



Regulatory Compliance Mark (RCM). Το προϊόν τηρεί τις ισχύουσες προδιαγραφές.



Εθνικό σήμα πιστότητας Ουκρανία



EurAsian σήμα πιστότητας.

TEKNİK VERİLER	BE 750 R	SBE 705 RE	SBE 705 RZ
Üretim numarası	4491 61 04...	4428 31 04...	4494 91 04...
Giriş gücü	750 W	705 W	705 W
Çıkış gücü	375 W	350 W	350 W
Boşta ki devir sayısı	0-3000 min ⁻¹	0-2800 min ⁻¹	0-2800 min ⁻¹
Yükteki maksimum devir sayısı	1450 min ⁻¹	1600 min ⁻¹	1600 min ⁻¹
Yükteki maksimum darbe sayısı	-	25600 min ⁻¹	25600 min ⁻¹
Statik blokaj momenti *	27 Nm	25 Nm	25 Nm
Delme çapı beton	15 mm	15 mm	15 mm
Delme çapı tuğla ve kireçli kum taşı	-	20 mm	20 mm
Delme çapı çelikte	13 mm	13 mm	13 mm
Delme çapı yumuşak tahtada	30 mm	30 mm	30 mm
Mandren kapasitesi	1,5-13 mm	1,5-13 mm	1,5-13 mm
Matkap mili	1/2"x20	1/2"x20	1/2"x20
Germe boynu çapı	43 mm	43 mm	43 mm
Ağırlığı ise EPTA-üretici 01/2014'e göre	1,95 kg	1,95 kg	1,95 kg
* AEG Norm N 877318'e göre ölçülmüştür.			

Gürültü bilgileri	SBE 750 RZ	SBE 750 RE	SBE 750 RES
Ölçüm değerleri EN 60 745 e göre belirlenmektedir.			
Aletin, frekansa bağımlı uluslararası ses basıncı seviyesi değerlendirme eğrisi A'ya göre tipik gürültü seviyesi:			
Matkap / Tornavida olarak			
Ses basıncı seviyesi (Tolerans K=3dB(A))	81,5 dB (A)	81,5 dB (A)	81,5 dB (A)
Akustik kapasite seviyesi (Tolerans K=3dB(A))	92,5 dB (A)	92,5 dB (A)	92,5 dB (A)
Tepmeli matkap olarak			
Ses basıncı seviyesi (Tolerans K=3dB(A))	-	89 dB (A)	89 dB (A)
Akustik kapasite seviyesi (Tolerans K=3dB(A))	-	100 dB (A)	100 dB (A)

Vibrasyon bilgileri	SBE 750 RZ	SBE 750 RE	SBE 750 RES
Toplam titreşim değeri (üç yönün vektör toplamı) EN 60745'e göre belirlenmektedir:			
Metal delme			
Titreşim emisyon değeri a _{h,DS}	3,4 m/s ²	3,4 m/s ²	3,4 m/s ²
Tolerans K=	1,5 m/s ²	1,5 m/s ²	1,5 m/s ²
Darbeli beton delme			
Titreşim emisyon değeri a _{h,SD}	20,2 m/s ²	20,2 m/s ²	20,2 m/s ²
Tolerans K=	1,5 m/s ²	1,5 m/s ²	1,5 m/s ²
Vida ile tutturma			
Titreşim emisyon değeri a _h	2,5 m/s ²	2,5 m/s ²	2,5 m/s ²
Tolerans K=	1,5 m/s ²	1,5 m/s ²	1,5 m/s ²

TEKNİK VERİLER	SBE 750 RZ	SBE 750 RE	SBE 750 RES
Üretim numarası	4428 41 04...	4428 51 04...	4497 83 04...
Giriş gücü	750 W	750 W	750 W
Çıkış gücü	375 W	375 W	375 W
Boşta ki devir sayısı	0-3000 min ⁻¹	0-3000 min ⁻¹	0-3000 min ⁻¹
Yükteki maksimum devir sayısı	1450 min ⁻¹	1450 min ⁻¹	1450 min ⁻¹
Yükteki maksimum darbe sayısı	23200 min ⁻¹	23200 min ⁻¹	23200 min ⁻¹
Statik blokaj momenti *	27 Nm	27 Nm	27 Nm
Delme çapı beton	16 mm	16 mm	16 mm
Delme çapı tuğla ve kireçli kum taşı	20 mm	20 mm	20 mm
Delme çapı çelikte	13 mm	13 mm	13 mm
Delme çapı yumuşak tahtada	30 mm	30 mm	30 mm
Mandren kapasitesi	1,5-13 mm	1,5-13 mm	1,5-13 mm
Matkap mili	1/2"x20	1/2"x20	1/2"x20
Germe boynu çapı	43 mm	43 mm	43 mm
Ağırlığı ise EPTA-üretici 01/2014'e göre	1,95 kg	1,95 kg	1,95 kg
* AEG Norm N 877318'e göre ölçülmüştür.			

Gürültü bilgileri	SBE 750 RZ	SBE 750 RE	SBE 750 RES
Ölçüm değerleri EN 60 745 e göre belirlenmektedir.			
Aletin, frekansa bağımlı uluslararası ses basıncı seviyesi değerlendirme eğrisi A'ya göre tipik gürültü seviyesi:			
Matkap / Tornavida olarak			
Ses basıncı seviyesi (Tolerans K=3dB(A))	81,5 dB (A)	81,5 dB (A)	81,5 dB (A)
Akustik kapasite seviyesi (Tolerans K=3dB(A))	92,5 dB (A)	92,5 dB (A)	92,5 dB (A)
Tepmeli matkap olarak			
Ses basıncı seviyesi (Tolerans K=3dB(A))	89 dB (A)	89 dB (A)	89 dB (A)
Akustik kapasite seviyesi (Tolerans K=3dB(A))	100 dB (A)	100 dB (A)	100 dB (A)

Vibrasyon bilgileri	SBE 750 RZ	SBE 750 RE	SBE 750 RES
Toplam titreşim değeri (üç yönün vektör toplamı) EN 60745'e göre belirlenmektedir:			
Metal delme			
Titreşim emisyon değeri a _{h,DS}	3,4 m/s ²	3,4 m/s ²	3,4 m/s ²
Tolerans K=	1,5 m/s ²	1,5 m/s ²	1,5 m/s ²
Darbeli beton delme			
Titreşim emisyon değeri a _{h,SD}	20,2 m/s ²	20,2 m/s ²	20,2 m/s ²
Tolerans K=	1,5 m/s ²	1,5 m/s ²	1,5 m/s ²
Vida ile tutturma			
Titreşim emisyon değeri a _h	2,5 m/s ²	2,5 m/s ²	2,5 m/s ²
Tolerans K=	1,5 m/s ²	1,5 m/s ²	1,5 m/s ²

UYARI

Bu talimatlarda belirtilen titreşim seviyesi, EN 60745 standardına uygun bir ölçme metodu ile ölçülmüştür ve elektrikli el aletleri birbiriyle karşılaştırmak için kullanılabilir. Ölçüm sonuçları ayrıca titreşim yükünün geçici değerlendirilmesi için de uygundur.

Belirtilen titreşim seviyesi, elektrikli el aletinin genel uygulamaları için geçerlidir. Ancak elektrikli el aleti başka uygulamalar için, farklı eklenti parçalarıyla ya da yetersiz bakım koşullarında kullanılırsa, titreşim seviyesi farklılık gösterebilir. Bu durumda, titreşim yükü toplam çalışma zaman aralığı içerisinde belirgin ölçüde yüksek olabilir.

Titreşim yükünün tam bir değerlendirilmesi için ayrıca cihazın kapalı olduğu süreler ve cihazın çalışır durumda olduğu, ancak gerçek kullanımında bulunmadığı süreler de dikkate alınmalıdır. Böylelikle, toplam çalışma zamanı aralığı boyunca meydana gelen titreşim yükü belirgin ölçüde azaltılabilir.

Kullanıcıyı titreşimlerin etkisinden korumak üzere, örneğin elektrikli el aletlerinin ve eklenti parçalarının bakımı, ellerin sık tutulması ve iş akışlarının organizasyonu gibi ek güvenlik tedbirleri belirleyiniz.

▲ UYARI! Bütün güvenlik notlarını ve talimatları okuyunuz. Açıklanan uyarılara ve talimat hükümlerine uyulmadığı takdirde elektrik çarpmalarına, yangınlara ve/veya ağır yaralanmalara neden olunabilir. **Bütün uyarıları ve talimat hükümlerini ileride kullanmak üzere saklayın.**

▲ PERKÜZYON MATKAP İLİŞKİN GÜVENLİK UYARILARI

Tepmeli matkap olarak işleme için koruma cihazı taşıyınız. Gürültü etkisi işleme kaybını etkiler. **Aletle birlikte teslim edilen ek tutamakları kullanın.** Aletin kontrolden çıkması kazalara neden olabilir.

Kesme aletinin eğrilmiş elektrik kabloları veya kendi kablosuna isabet eden çalışmalar yapılırken cihazı izole edilmiş kollarından tutun. Kesme aletinin içinden elektrik akımı geçen kablo ile temas etmesi durumunda elektrik akımı cihazın metal kısımlarına geçer ve elektrik çarpmasına sebebiyet verebilir.

▲ VIDALAMA ALETLERİNE İLİŞKİN GÜVENLİK UYARILARI

Kullandığınız aletin gizli cereyan kablolarına veya aletin kendi elektrik kablosuna temas etme olasılığı olduğunda aleti izolasyonlu saplarından tutunuz. Voltaj altında kalan vida ile temas edilmesi, metal cihaz parçalarına elektrik akımı verebilir ve bu da elektrik çarpmasına neden ol

EK GÜVENLİK VE ÇALIŞMA TALIMATLARI

Koruma teçhizatı kullanın. Makinada çalışırken devamlı surette koruyucu gözlük takın. Koruyucu elbise ve tozdan korunma maskesi, emniyet eldivenleri ve sağlam ve kaymaya mukavim ayakkabı giyin. Başlık ve kulaklık tavsiye edilir.

Çalışma sırasında ortaya çıkan toz genellikle sağlığa zararlıdır ve bedeninize temas etmemelidir. Uygun bir koruyucu toz maskesi kullanın

Sağlık tehlikelerine neden olan malzemelerin işlenmesi yasaktır (örn. asbest). Uca yerleştirilen takımın bloke olması halinde lütfen cihazı hemen kapatın! Uca yerleştirilen takım bloke olduğu sürece cihazı tekrar çalıştırmayın; bu sırada yüksek reaksiyon momentine sahip bir geri tepme meydana gelebilir. Uca yerleştirilen takımın neden bloke olduğuna bakın ve bu durumu güvenli uyarılarına dikkat ederek gidin.

Olası nedenler şunlar olabilir:

- İşlenen parça içinde takılma
- İşlenen malzemenin delinmesi
- Elektrikli alete aşırı yük binmesi

Ellerinizi çalışmakta olan makinenin içine uzatmayın.

Uca yerleştirilen takım kullanım sırasında ısınabilir.

UYARI! Yanma tehlikesi

- takım değiştirme sırasında
- aletin yere bırakılması sırasında

Alet çalışır durumda iken talaş ve kırpıntıları temizlemeye çalışmayın.

Bağlantı kablosunu aletten uzak tutun. Kablo daima aletin arkasında olmalıdır ve toplanmamalıdır.

Duvar, tavan ve zeminde delik açarken elektrik kablolarına, gaz ve su borularına dikkat edin.

İşlenen parçayı bir germe tertibatıyla emniyete alın. Emniyete alınmayan iş parçaları ağır yaralanmalar ve hasarlara neden olabilir.

Aletin kendinde bir çalışma yapmadan önce fişi prizden çekin.

Büyük delik çaplarında ilave sap ana tutamağa dik açılı olarak tespit edilmelidir. Bakınız: Resimli kısım, "Tutamağın çevrilmesi" bölümü.

KULLANIM

Bu elektronik darbeli matkap/vidalama makinesi delme, darbeli delme, vidalama ve diş açma işlerinde çok yönlü olarak kullanılabilir.

Bu alet sadece belirttiği gibi ve usulüne uygun olarak kullanılabilir.

CE UYGUNLUK BEYANI

Tek sorumlu olarak „Teknik Veriler“ bölümünde tarif edilen ürünün 2011/65/EU (RoHS), 2014/30/EU, 2006/42/EC sayılı direktifin ve aşağıdaki harmonize temel belgelerin bütün önemli hükümlerine uygun olduğunu beyan etmekteyiz:

EN 55014-1:2017
EN 60745-1:2009+A11:2010
EN 60745-2-1:2010
EN 60745-2-2:2010
EN 61000-3-3:2013
EN 61000-3-2:2014
EN 55014-2:2015
EN 50581:2012

Winnenden, 2018-02-26



Alexander Krug
Managing Director



Teknik evrakları hazırlamakla görevlendirilmiştir.

Techtronic Industries GmbH
Max-Eyth-Straße 10
71364 Winnenden
Germany

ŞEBEKE BAĞLANTISI

Açık havadaki prizler hatalı akım koruma şalteri (FI, RCD, PRCD) ile donatılmış olmalıdır. Bu, elektrik tesisatımızdaki bir zorunluluktur. Lütfen aletimizi kullanırken bu hususa dikkat edin.

Aleti sadece tek fazlı alternatif akıma ve tip etiketi üzerinde belirtilen şebeke gerilimine bağlayın. Yapısı Koruma sınıfı II'ye girdiğinden alet koruyucu kontaklı prize de bağlanabilir.

Aleti sadece kapalı iken prize takın.

BAKIM

Aletin havalandırma aralıklarını daima temiz tutun.

Sık sık darbeli delme yapıyorsanız mandreni düzenli aralıklarla tozdan arındırın. Bu işleme yapmak için aleti mandren aşağıya bakacak biçimde dik olarak tutun, mandreni sonuna kadar açıp, kapayın. Birikmiş olan toz bu durumda mandrenden aşağı düşer.

Ayrıca, germe çenelerine ve germe çenesi deliklerine düzenli olarak bakım spreyi (ürün kodu: 4932 6217 19) uygulamanızı öneririz.

Şebeke hatları hasarlı ise müşteri hizmetleri servisi tarafından değiştirilmesi gerekir, zira bunun için özel bir aparat gereklidir.

Sadece AEG aksesuarını ve yedek parçalarını kullanın. Değiştirilmesi açıklanmamış olan parçaları bir AEG müşteri servisinde değiştirin (Garanti broşürüne ve müşteri servisi adreslerine dikkat edin).

Gerektiği takdirde aletin dağılık görünüş seması, alet tipinin ve tip etiketi üzerindeki sayının bildirilmesi koşuluyla müşteri servisinden veya doğrudan Techtronic Industries GmbH, Max-Eyth-Strasse 10, 71364 Winnenden, Germany adresinden istenebilir.

SEMBOLLER

DİKKAT! UYARI! TEHLİKE!



Aletin kendinde bir çalışma yapmadan önce fişi prizden çekin.



Lütfen aleti çalıştırmadan önce kullanma kılavuzunu dikkatli biçimde okuyun.



Aksesuar - Teslimat kapsamında değildir, önerilen tamamlamalar aksesuar programında.



Elektrikli cihazların evsel atıklarla birlikte bertaraf edilmesi yasaktır. Elektrikli ve elektronik cihazlar ayrılarak biriktirilmeli ve çevreye zarar vermeden bertaraf edilmeleri için bir atık değerlendirme tesisine götürülmelidirler. Yerel makamlara veya satıcınıza geri dönüşüm tesisleri ve atık toplama merkezlerinin yerlerini danışınız.



Koruma sınıfı II olan elektrikli aletler. Elektrik çarpmasına karşı korumanın sadece temel izolasyona bağlı olmayıp, aynı zamanda çift izolasyon veya takviyeli izolasyon gibi ek koruyucu önlemlerin alınmasına bağlı olan elektrikli alet. Bir koruyucu iletken bağlamak için düzeneği bulunmamaktadır.



CE işareti



Regulatory Compliance Mark (RCM). Ürün yürürlükteki kuralları karşılamaktadır.



Ulusal uygunluk işareti Ukrayna



EurAsian Uyumluluk işareti

TECHNICKÁ DATA

	BE 750 R	SBE 705 RE	SBE 705 RZ
Výrobní číslo.....	4491 61 04.....	4428 31 04.....	4494 91 04.....
Jmenovitý příkon.....	750 W.....	705 W.....	705 W.....
Odběr.....	375 W.....	350 W.....	350 W.....
Volnoběžné otáčky.....	0-3000 min ⁻¹	0-2800 min ⁻¹	0-2800 min ⁻¹
Počet otáček při zatížení max.....	1450 min ⁻¹	1600 min ⁻¹	1600 min ⁻¹
Počet úderů max.....	- min ⁻¹	25600 min ⁻¹	25600 min ⁻¹
Statický krouticí moment *.....	27 Nm.....	25 Nm.....	25 Nm.....
Vrtací ø v betonu.....	15 mm.....	15 mm.....	15 mm.....
Vrtání ø v cihle a vápenopískové cihle.....	20 mm.....	20 mm.....	20 mm.....
Vrtací ø v oceli.....	13 mm.....	13 mm.....	13 mm.....
Vrtací ø v měkké dřevě.....	30 mm.....	30 mm.....	30 mm.....
Rozsah upnutí sklíčidla.....	1,5-13 mm.....	1,5-13 mm.....	1,5-13 mm.....
Vrtací vřeteno.....	1/2"x20.....	1/2"x20.....	1/2"x20.....
ø upínacího krčku.....	43 mm.....	43 mm.....	43 mm.....
Hmotnost podle prováděcího předpisu EPTA 01/2014.....	1,95 kg.....	1,95 kg.....	1,95 kg.....

Informace o hluku

Naměřené hodnoty odpovídají EN 60 745.

V třídě A posuzovaná hladina hluku přístroje činí typicky:

	BE 750 R	SBE 705 RE	SBE 705 RZ
Jako vrtačka/šroubovák:			
Hladina akustického tlaku (Kolísavost K=3dB(A)).....	81,5 dB (A).....	81,5 dB (A).....	81,5 dB (A).....
Hladina akustického výkonu (Kolísavost K=3dB(A)).....	92,5 dB (A).....	92,5 dB (A).....	92,5 dB (A).....
Jako přiklepová vrtačka:			
Hladina akustického tlaku (Kolísavost K=3dB(A)).....	-.....	89 dB (A).....	89 dB (A).....
Hladina akustického výkonu (Kolísavost K=3dB(A)).....	-.....	100 dB (A).....	100 dB (A).....

Používejte chrániče sluchu!**Informace o vibracích**

Celkové hodnoty vibrací (vektorový součet tří směrů) zjištěné ve smyslu EN 60745.

	BE 750 R	SBE 705 RE	SBE 705 RZ
Vrtání kovů			
Hodnota vibračních emisí a _{h,DS}	3,4 m/s ²	3,4 m/s ²	3,4 m/s ²
Kolísavost K=.....	1,5 m/s ²	1,5 m/s ²	1,5 m/s ²
Vrtání betonu s přiklepem			
Hodnota vibračních emisí a _{h,ID}	-.....	20,2 m/s ²	20,2 m/s ²
Kolísavost K=.....	-.....	1,5 m/s ²	1,5 m/s ²
Šroubování			
Hodnota vibračních emisí a _v	2,5 m/s ²	2,5 m/s ²	2,5 m/s ²
Kolísavost K=.....	1,5 m/s ²	1,5 m/s ²	1,5 m/s ²

TECHNICKÁ DATA

	SBE 750 RZ	SBE 750 RE	SBE 750 RES
Výrobní číslo.....	4428 41 04.....	4428 51 04.....	4494 96 04.....
Jmenovitý příkon.....	750 W.....	750 W.....	750 W.....
Odběr.....	375 W.....	375 W.....	375 W.....
Volnoběžné otáčky.....	0-3000 min ⁻¹	0-3000 min ⁻¹	0-3000 min ⁻¹
Počet otáček při zatížení max.....	1450 min ⁻¹	1450 min ⁻¹	1450 min ⁻¹
Počet úderů max.....	- min ⁻¹	23200 min ⁻¹	23200 min ⁻¹
Statický krouticí moment *.....	27 Nm.....	27 Nm.....	27 Nm.....
Vrtací ø v betonu.....	16 mm.....	16 mm.....	16 mm.....
Vrtání ø v cihle a vápenopískové cihle.....	20 mm.....	20 mm.....	20 mm.....
Vrtací ø v oceli.....	13 mm.....	13 mm.....	13 mm.....
Vrtací ø v měkké dřevě.....	30 mm.....	30 mm.....	30 mm.....
Rozsah upnutí sklíčidla.....	1,5-13 mm.....	1,5-13 mm.....	1,5-13 mm.....
Vrtací vřeteno.....	1/2"x20.....	1/2"x20.....	1/2"x20.....
ø upínacího krčku.....	43 mm.....	43 mm.....	43 mm.....
Hmotnost podle prováděcího předpisu EPTA 01/2014.....	1,95 kg.....	1,95 kg.....	1,95 kg.....

Informace o hluku

Naměřené hodnoty odpovídají EN 60 745.

V třídě A posuzovaná hladina hluku přístroje činí typicky:

	SBE 750 RZ	SBE 750 RE	SBE 750 RES
Jako vrtačka/šroubovák:			
Hladina akustického tlaku (Kolísavost K=3dB(A)).....	81,5 dB (A).....	81,5 dB (A).....	81,5 dB (A).....
Hladina akustického výkonu (Kolísavost K=3dB(A)).....	92,5 dB (A).....	92,5 dB (A).....	92,5 dB (A).....
Jako přiklepová vrtačka:			
Hladina akustického tlaku (Kolísavost K=3dB(A)).....	89 dB (A).....	89 dB (A).....	89 dB (A).....
Hladina akustického výkonu (Kolísavost K=3dB(A)).....	100 dB (A).....	100 dB (A).....	100 dB (A).....

Používejte chrániče sluchu!**Informace o vibracích**

Celkové hodnoty vibrací (vektorový součet tří směrů) zjištěné ve smyslu EN 60745.

	SBE 750 RZ	SBE 750 RE	SBE 750 RES
Vrtání kovů			
Hodnota vibračních emisí a _{h,DS}	3,4 m/s ²	3,4 m/s ²	3,4 m/s ²
Kolísavost K=.....	1,5 m/s ²	1,5 m/s ²	1,5 m/s ²
Vrtání betonu s přiklepem			
Hodnota vibračních emisí a _{h,ID}	20,2 m/s ²	20,2 m/s ²	20,2 m/s ²
Kolísavost K=.....	1,5 m/s ²	1,5 m/s ²	1,5 m/s ²
Šroubování			
Hodnota vibračních emisí a _v	2,5 m/s ²	2,5 m/s ²	2,5 m/s ²
Kolísavost K=.....	1,5 m/s ²	1,5 m/s ²	1,5 m/s ²

VAROVÁN

Úroveň chvění uvedená v tomto návodu byla naměřena podle metody měření stanovené normou EN 60745 a může být použita pro porovnání elektrického nářadí. Hodí se také pro průběžný odhad zatížení chvěním.

Uvedená úroveň chvění představuje hlavní účely použití elektrického nářadí. Jestliže se ale elektrické nářadí používá pro jiné účely, s odlišnými nástroji nebo s nedostatečnou údržbou, může se úroveň chvění odlišovat. To může značně zvýšit zatížení chvěním během celé pracovní doby.

Pro přesný odhad zatížení chvěním se musí také zohlednit časy, během kterých je přístroj vypnutý nebo kdy je sice v chodu, ale skutečně se s ním nepracuje. To může zatížení chvěním během celé pracovní doby značně snížit.

Stanovte doplňková bezpečnostní opatření pro ochranu obsluhy před účinky chvění jako například: technická údržba elektrického nářadí a nástrojů, udržování teploty rukou, organizace pracovních procesů.

UPOZORNĚNÍ! Přečtěte si všechny bezpečnostní pokyny a návody. Zanedbání při dodržování varovných upozornění a pokynů mohou mít za následek úder elektrickým proudem, požár a/nebo těžká poranění. **Všechna varovná upozornění a pokyny do budoucna uschovejte.**

BEZPEČNOSTNÍ POKYNY PRO PŘÍKLEPOVÁ VRTAČKA

Při vrtní s příklepem používejte prostředky k ochraně sluchu. Nadměrný hluk může vést ke ztrátě sluchu.

Používejte doplňková madla dodávána s přístrojem. Nedostatečným držením by mohlo dojít ke zranění.

Při provádění prací, při kterých nástroj může narazit na skryta elektrická vedení nebo na vlastní kabel, držte přístroj za izolované přidržovací plošky. Kontakt řezného nástroje s vedením pod napětím může vést k přenosu napětí na kovové části přístroje a k úrazu elektrickým proudem.

BEZPEČNOSTNÍ POKYNY PRO ŠROUBOVÁKY

Přístroj držte za izolované plochy rukojeti, jestliže vykonáváte práce, při kterých by nasazený nástroj mohl zasáhnout skryté elektrické vedení nebo vlastní kabel. Kontakt šroubu s vedením pod napětím může přivést napětí na kovové části přístroje a způsobit elektrický ráz.

DALŠÍ BEZPEČNOSTNÍ A PRACOVNÍ POKYNY

Použijte ochranné vybavení. Při práci s elektrickým nářadím používejte vždy ochranné brýle. Doporučujeme rovněž použití součástí ochranného oděvu a ochranné obuvi, jako protiprašné masky, ochranných rukavic, pevné a neklouzající obuvi, ochranné přilby a ochrany sluchu.

Prach vznikající při práci s tímto nářadím může být zdraví škodlivý. Proto by neměl přijít do styku s tělem. Používejte při práci vhodnou ochranou masku.

Nesměj se upravovat materiály, které mohou způsobit ohrožení zdraví (např. azbest)

Při zablokování nasazeného nástroje přístroj okamžitě vypněte! Přístroj nezapínejte, pokud je nasazený nástroj zablokovaný; mohl by při tom vzniknout zpětný náraz s vysokým reakčním momentem. Zjistěte příčinu zablokování nasazeného nástroje a odstraňte ji při dodržení bezpečnostních pokynů.

Možnými příčinami mohou být:

- vzpříčení v opracovávaném obrobku
- přelomení opracovávaného materiálu
- přetížení elektrického přístroje

Nezasahujte do běžícího stroje.

Nasazený nástroj se může během používání rozpálit.

VAROVÁNÍ! Nebezpečí popálení.

- při výměně nástroje

- při odkládání přístroje

Pokud stroj běží, nemějte být odstraňovány třísky nebo odštěpky.

Neustále dbát na to, aby byl kabel pro připojení k elektrické síti mimo dosah stroje. Kabel vést vždy směrem dozadu od stroje.

Při vrtní do zdi, stropu nebo podlahy dávat pozor na elektrické kabely, plynová a vodovodní potrubí.

Obrobek zabezpečte upínacím zařízením. Nezabezpečené obrobky mohou způsobit těžká poranění a poškození.

Před zahájením veškerých prací na stroji vytáhnout síťovou zástrčku ze zásuvky.

Při vrtní velkými průměry vrtáků musí být přední madlo v poloze kolmé k hlavnímu madlu. Viz. Obrazová část, oddíl "Natočení madla".

OBLAST VYUŽITÍ

Elektronická příklepová vrtačka / šroubovák je univerzálně použitelná k vrtní, příklepovému vrtní, šroubování a k řezání závitů.

Toto zařízení lze používat jen pro uvedený účel.

CE-PROHLÁŠENÍ O SHODĚ

Výhradně na vlastní odpovědnost prohlašujeme, že se výrobek popsaný v „Technických údajích“ shoduje se všemi relevantními předpisy směrnice 2011/65/EU (RoHS), 2014/30/EU, 2006/42/ES a s následujícími harmonizovanými normativními dokumenty:

EN 55014-1:2017
EN 60745-1:2009+A11:2010
EN 60745-2-1:2010
EN 60745-2-2:2010
EN 61000-3-3:2013
EN 61000-3-2:2014
EN 55014-2:2015
EN 50581:2012

Winnenden, 2018-02-26



Alexander Krug
Managing Director



Zplnomocněn k sestavování technických podkladů.

Techtronic Industries GmbH
Max-Eyth-Straße 10
71364 Winnenden
Germany

PŘIPOJENÍ NA SÍŤ

Ve venkovním prostředí musí být zásuvky vybaveny proudovým chráničem (FI, RCD, PRCD). Je to vyžadováno instalačním předpisem pro toto el.zařízení. Dodržujte ho při používání tohoto nářadí, prosím.

Připojit pouze do jednofázové střídavé sítě o napětí uvedeném na štítku. Lze připojit i do zásuvky bez ochranného kontaktu neboť spotřebič je třídy II.

Přívodní kabel zapojit do zásuvky jen při vypnutém stroji.

ÚDRŽBA

Větrací štěrbinu nářadí udržujeme stále čisté.

Při častém příklepovém provozu je třeba sklíčidlo pravidelně zbavovat prachu. Za tím účelem podržte stroj tak, aby sklíčidlo směřovalo kolmo dolů a otevřete a zavírejte sklíčidlo v celém upínacím rozsahu. Tak z něj vypadne nahromaděný prach.

Doporučuje se také pravidelné používání čistícího spreje (čís. 4932 6217 19) na upínací čelisti a na otvory upínacích čelisti.

Dojde-li k poškození přívodního kabelu, nechte jej vyměnit v autorizovaném servisu, protože k výměně je zapotřebí speciální nástroj.

Používejte výhradně náhradní díly a příslušenství AEG. Díly, jejichž výměna nebyla popsána, nechávejte vyměnit v odborném servisu AEG. (Viz záruční list.)

Při potřebě podrobného rozkresu konstrukce, oslovte informaci o typu a čísle přímo servis a nebo výrobce, Techtronic Industries GmbH, Max-Eyth-Straße 10, 71364 Winnenden, Germany.

SYMBOLY



POZOR! VAROVÁN! NEBEZPEČÍ!



Před zahájením veškerých prací na stroji vytáhnout síťovou zástrčku ze zásuvky.



Před spuštěním stroje si pečlivě přečtěte návod k používání.



Příslušenství není součástí dodávky, viz program příslušenství.



Elektrické přístroje se nesmí likvidovat společně s odpadem z domácností. Elektrické a elektronické přístroje je třeba sbírat odděleně a odevzdat je v recyklačním podniku na ekologickou likvidaci. Na místních úřadech nebo u vašeho specializovaného prodejce se informujte na recyklační podniky a sběrné dvory.



Elektrický přístroj s třídou ochrany II. Elektrický přístroj, u kterého ochrana před zásahem el. proudem závisí nejen na základní izolaci, ale i na tom, že budou použita také doplňková ochranná opatření, jakými jsou dvojitá izolace nebo zesílená izolace. Neexistuje žádné zařízení pro připojení ochranného vodiče.



Značka CE



Regulatory Compliance Mark (RCM). Produkt splňuje platné předpisy.



Národní znak shody Ukrajiny



Euroasijská značka shody

TECHNICKÉ ÚDAJE	BE 750 R	SBE 705 RE	SBE 705 RZ
Výrobné číslo.....	4491 61 04.....	4428 31 04.....	4494 91 04.....
Menovitý príkon.....	750 W.....	705 W.....	705 W.....
Výkon.....	375 W.....	350 W.....	350 W.....
Otáčky naprázdno.....	0-3000 min ⁻¹	0-2800 min ⁻¹	0-2800 min ⁻¹
Max. otáčky pri záťaži.....	1450 min ⁻¹	1600 min ⁻¹	1600 min ⁻¹
Max. počet úderov pri záťaži.....	- min ⁻¹	25600 min ⁻¹	25600 min ⁻¹
Statický blokovací moment *.....	27 Nm.....	25 Nm.....	25 Nm.....
Priemer vrtu do betónu.....	-.....	15 mm.....	15 mm.....
Priemer vrtu do tehly a vápencového pieskovca.....	-.....	20 mm.....	20 mm.....
Priemer vrtu do ocele.....	13 mm.....	13 mm.....	13 mm.....
Priemer vrtu do mäkkého dreva.....	30 mm.....	30 mm.....	30 mm.....
Upínací rozsah sklúčovadla.....	1,5-13 mm.....	1,5-13 mm.....	1,5-13 mm.....
Vrtacie vreteno.....	1/2"x20.....	1/2"x20.....	1/2"x20.....
Priemer upínacieho hrdla.....	43 mm.....	43 mm.....	43 mm.....
Hmotnosť podľa vykonávacieho predpisu EPTA 01/2014.....	1,95 kg.....	1,95 kg.....	1,95 kg.....
* Merané podľa AEG normy N 877318			

Informácia o hluku

Namerané hodnoty určené v súlade s EN 60 745.

V triede A posudzovaná hladina hluku prístroja činí typicky:

Ako vrtáčka/skrutkovač:

Hladina akustického tlaku (Kolísavosť K=3dB(A)).....81,5 dB (A).....81,5 dB (A).....81,5 dB (A)

Hladina akustického výkonu (Kolísavosť K=3dB(A)).....92,5 dB (A).....92,5 dB (A).....92,5 dB (A)

Ako príklepová vrtáčka:

Hladina akustického tlaku (Kolísavosť K=3dB(A)).....-.....89 dB (A).....89 dB (A)

Hladina akustického výkonu (Kolísavosť K=3dB(A)).....-.....100 dB (A).....100 dB (A)

Používajte ochranu sluchu!

Informácie o vibráciách

Celkové hodnoty vibrácií (vektorový súčet troch smerov) zistených zmysle EN 60745.

Víťanie kovov

Hodnota vibračných emisií a_{h,DS}.....3,4 m/s².....3,4 m/s².....3,4 m/s²

Kolísavosť K=.....1,5 m/s².....1,5 m/s².....1,5 m/s²

Víťanie betónu s príklepom

Hodnota vibračných emisií a_{h,UD}.....-.....20,2 m/s².....20,2 m/s²

Kolísavosť K=.....-.....1,5 m/s².....1,5 m/s²

Skrutkovanie

Hodnota vibračných emisií a_h.....2,5 m/s².....2,5 m/s².....2,5 m/s²

Kolísavosť K=.....1,5 m/s².....1,5 m/s².....1,5 m/s²

TECHNICKÉ ÚDAJE	SBE 750 RZ	SBE 750 RE	SBE 750 RES
Výrobné číslo.....	4428 41 04.....	45 5701 03.....	4497 83 04.....
Menovitý príkon.....	750 W.....	750 W.....	750 W.....
Výkon.....	375 W.....	375 W.....	375 W.....
Otáčky naprázdno.....	0-3000 min ⁻¹	0-3000 min ⁻¹	0-3000 min ⁻¹
Max. otáčky pri záťaži.....	1450 min ⁻¹	1450 min ⁻¹	1450 min ⁻¹
Max. počet úderov pri záťaži.....	23200 min ⁻¹	23200 min ⁻¹	23200 min ⁻¹
Statický blokovací moment *.....	27 Nm.....	27 Nm.....	27 Nm.....
Priemer vrtu do betónu.....	-.....	16 mm.....	16 mm.....
Priemer vrtu do tehly a vápencového pieskovca.....	-.....	20 mm.....	20 mm.....
Priemer vrtu do ocele.....	13 mm.....	13 mm.....	13 mm.....
Priemer vrtu do mäkkého dreva.....	30 mm.....	30 mm.....	30 mm.....
Upínací rozsah sklúčovadla.....	1,5-13 mm.....	1,5-13 mm.....	1,5-13 mm.....
Vrtacie vreteno.....	1/2"x20.....	1/2"x20.....	1/2"x20.....
Priemer upínacieho hrdla.....	43 mm.....	43 mm.....	43 mm.....
Hmotnosť podľa vykonávacieho predpisu EPTA 01/2014.....	1,95 kg.....	1,95 kg.....	1,95 kg.....
* Merané podľa AEG normy N 877318			

Informácia o hluku

Namerané hodnoty určené v súlade s EN 60 745.

V triede A posudzovaná hladina hluku prístroja činí typicky:

Ako vrtáčka/skrutkovač:

Hladina akustického tlaku (Kolísavosť K=3dB(A)).....81,5 dB (A).....81,5 dB (A).....81,5 dB (A)

Hladina akustického výkonu (Kolísavosť K=3dB(A)).....92,5 dB (A).....92,5 dB (A).....92,5 dB (A)

Ako príklepová vrtáčka:

Hladina akustického tlaku (Kolísavosť K=3dB(A)).....89 dB (A).....89 dB (A).....89 dB (A)

Hladina akustického výkonu (Kolísavosť K=3dB(A)).....100 dB (A).....100 dB (A).....100 dB (A)

Používajte ochranu sluchu!

Informácie o vibráciách

Celkové hodnoty vibrácií (vektorový súčet troch smerov) zistených zmysle EN 60745.

Víťanie kovov

Hodnota vibračných emisií a_{h,DS}.....3,4 m/s².....3,4 m/s².....3,4 m/s²

Kolísavosť K=.....1,5 m/s².....1,5 m/s².....1,5 m/s²

Víťanie betónu s príklepom

Hodnota vibračných emisií a_{h,UD}.....20,2 m/s².....20,2 m/s².....20,2 m/s²

Kolísavosť K=.....1,5 m/s².....1,5 m/s².....1,5 m/s²

Skrutkovanie

Hodnota vibračných emisií a_h.....2,5 m/s².....2,5 m/s².....2,5 m/s²

Kolísavosť K=.....1,5 m/s².....1,5 m/s².....1,5 m/s²

POZOR

Úroveň vibrácií uvedená v týchto pokynoch bola nameraná meracou metódou, ktorú stanovuje norma EN 60745 a je možné ju použiť na vzájomné porovnanie elektrického náradia. Hodí sa aj na predbežné posúdenie kmitavého namáhania.

Uvedená úroveň vibrácií reprezentuje hlavné aplikácie elektrického náradia. Ak sa však elektrické náradie používa pre iné aplikácie, s odlišnými vloženími nástrojmi alebo s nedostatočnou údržbou, môže sa úroveň vibrácií líšiť. Toto môže kmitavé namáhanie v priebehu celej pracovnej doby podstatne zvýšiť.

Pre presný odhad kmitavého namáhania by sa mali tiež zohľadniť doby, v ktorých je náradie vypnuté alebo je síce v chode, ale v skutočnosti sa nepoužíva. Toto môže kmitavé namáhanie v priebehu celej pracovnej doby zreteľne redukovat'.

Stanovte dodatočné bezpečnostné opatrenia pre ochranu obsluhy pred účinkami vibrácií, ako napríklad: údržba elektrického náradia a vložení nástrojov, udržiavanie teploty rúk, organizácia pracovných postupov.

UPOZORNENIE! Prečítajte si všetky bezpečnostné pokyny a návody. Zanedbanie dodržiavania Výstražných upozornení a pokynov uvedených v nasledujúcom texte môže mať za následok zásah elektrickým prúdom, spôsobíť požiar a/alebo ťažké poranenie. **Tieto výstražné upozornenia a bezpečnostné pokyny starostlivo uschovajte na budúce použitie.**

BEZPEČNOSTNÉ POKYNY PRE PRÍKLEPOVÁ VRTÁČKA

Pri víťaní s príklepom používajte prostriedky k ochrane sluchu. Nadmerný hluk môže viesť k strate sluchu.

Používajte prídavné rukoväte dodané spolu s prístrojom. Strata kontroly nad strojom môže viesť k zraneniu.

Pri realizovaní prác, pri ktorých nástroj môže naraziť na skryté elektrické vedenia alebo na vlastný kábel, držte prístroj za izolované pridrôzovacie plošky. Kontakt rezného nástroja s vedením pod napätím môže viesť k prenosu napätia na kovové časti prístroja a k úrazu elektrickým prúdom.

BEZPEČNOSTNÉ POKYNY PRE SKRUTKOVÁČE

Prístroj držte na izolovaných plochách rukoväte, keď vykonávate práce, pri ktorých by nasadený nástroj mohol zasiahnuť skryté elektrické vedenie alebo vlastný kábel. Stik svedra z elektrickým vodníkom ľahko kovinske deli naprave spravi pod napetost in vodi do elektrického udara.

ĎALŠIE BEZPEČNOSTNÉ A PRACOVNÉ POKYNY

Použite ochranné vybavenie. Pri práci s elektrickým náradím používajte vždy ochranné okuliare. Doporučujeme taktiež použitie súčastí ochranného odevu a ochrannej obuvi, ako sú protiprašná maska, ochranné rukavice, pevná a nekľajúca obuv, ochranná prilba a ochrana sluchu.

Prach vznikajúci pri práci môže byť škodlivý zdraviu. Pri práci nosiť vhodnú ochrannú masku, aby sa nedostal do ľudského organizmu.

Nesmú sa opracovávať materiály, ktoré môžu spôsobíť ohrozenie zdravia (napr. azbest)

Pri zablokovaní nasadeného nástroja prístroj okamžite vypnite! Prístroj nezapínajte, pokiaľ je nasadený nástroj zablokovaný; mohol by pri tom vzniknúť spätný náraz s vysokým reakčným momentom. Príčinu zablokovania nasadeného nástroja zistite a odstráňte so zohľadnením bezpečnostných pokynov.

Možnými príčinami môžu byť:

- spriečenie v opracovávanom obrobku

- prelomenie opracovávaného materiálu
- preťaženie elektrického prístroja

Nezasahujte do bežiacieho stroja.

Nasadený nástroj sa počas používania môže rozhorúčiť.

POZOR! Nebezpečenstvo popálenia

- pri výmene nástroja
- pri odkladaní prístroja

Triestky alebo úlomky sa nesmú odstraňovať za chodu stroja.

Pripojovací kábel držte mimo pracovnej oblasti stroja. Kábel smerujte vždy smerom dozadu od stroja.

Pri práci v stene, strope alebo v podlahe dávajte pozor na elektrické káble, plynové a vodovodné potrubia.

Obrobok zabezpečte upínacím zariadením. Nezabezpečené obrobky môžu spôsobiť ťažké poranenia a poškodenia.

Pred každou prácou na stroji vyťiahnite zástrčku zo zásuvky.

Pri veľkých prieroch vrtania musí byť prídavná rukoväť upevnená kolmo na hlavnú rukoväť. Vid' obrazovú časť, odsek "pootočiť rukoväť".

POUŽITIE PODĽA PREDPISOV

Elektronický príklepový vrtací skrutkovač je univerzálne použiteľný na vrtanie, príklepové vrtanie, skrutkovanie a rezanie závitov.

Tento prístroj sa smie používať len v súlade s uvedenými predpismi.

CE - VYHLÁSENIE KONFORMITY

Výhradne na vlastnú zodpovednosť vyhlasujeme, že výrobok popísaný v „Technických údajoch“ sa zhoduje so všetkými relevantnými predpismi smernice 2011/65/EÚ (RoHS), 2014/30/EÚ, 2006/42/EC a nasledujúcimi harmonizujúcimi normatívnymi dokumentmi:

EN 55014-1:2017
EN 60745-1:2009+A11:2010
EN 60745-2-1:2010
EN 60745-2-2:2010
EN 61000-3-3:2013
EN 61000-3-2:2014
EN 55014-2:2015
EN 50581:2012

Winnenden, 2018-02-26



Alexander Krug
Managing Director



Splnomocnený zostaviť technické podklady.

Techtronic Industries GmbH
Max-Eyth-Straße 10
71364 Winnenden
Germany

SIETOVÁ PRÍPOJKA

Zásuvky vo vonkajšom prostredí musia byť vybavené ochranným spínačom proti prudovým nárazom (FI, RCD, PRCD). Toto je inštalčný predpis na Vaše elektrické zariadenie. Venujte prosím tomuto pozornosť pri používaní nášho prístroja.

Pripájať len na jednofázový striedavý prúd a na sieťové napätie uvedené na štítku. Pripojenie je možné aj do zásuviek bez ochranného kontaktu, pretože ide o konštrukciu ochrannej triedy II.

Do zásuvky pripájať len vypnutý prístroj.

ÚDRZBA

Vetracie otvory udržiavať stále v čistote.

Pri častom vŕtaní s príklepom by malo byť skľúčovadlo pravidelne čistené od prachu. K tomu je potrebné stroj nasmerovať skľúčovadlom kolmo nadol a v celom upínacom rozsahu skľúčovadlo roztvoriť a zatvoriť. Nazbieraný prach takto zo skľúčovadla vypadne.

Odporúča sa pravidelná aplikácia čistiaceho spreju (id.č. 4932 6217 19) na upínacie čeluste a na vŕtania upínacích čelustí.

Aj dôjde k poškodeniu prívodného kábla, nechajte ho vymeniť v autorizovanom servise, pretože k výmene je potrebný špeciálny nástroj.

Používať len AEG príslušenstvo a náhradné diely. Súčiastky bez návodu na výmenu treba dat vymeniť v jednom z AEG zákazníckych centier (viď brožúru Záruka/Adresy zákazníckych centier).

Pri udaní typu stroja a čísla nachádzajúceho sa na štítku dá sa v prípade potreby vyžiadať explozívna schéma prístroja od vášho zákazníckeho centra alebo priamo v Techtronic Industries GmbH, Max-Eyth-Straße 10, 71364 Winnenden, Germany.

SYMBOLY



POZOR! NEBEZPEČENSTVO!



Pred každou prácou na stroji vyťahnite zástrčku zo zásuvky.



Pred prvým použitím prístroja si pozorne prečítajte návod na obsluhu.



Príslušenstvo - nie je súčasťou štandardnej výbavy, odporúčané doplnenie z programu príslušenstva.



Elektrické prístroje treba likvidovať spolu s odpadom z domácností. Elektrické a elektronické prístroje treba zbierať oddelene a odovzdať ich v recyklačnom podniku na ekologickú likvidáciu. Na miestnych úradoch alebo u vášho špecializovaného predajcu sa spýtajte na recyklačné podniky a zberné dvory.



Elektrický prístroj triedy ochrany II. Elektrický prístroj, pri ktorom ochrana pred zásahom el. prúdom závisí nie len od základnej izolácie, ale aj od toho, že budú použité aj doplnkové ochranné opatrenia, akými sú dvojité izolácie alebo zosilnená izolácia. Neexistuje žiadne zariadenie na pripojenie ochranného vodiča.

Značka CE



Regulatory Compliance Mark (RCM). Produkt spĺňa platné predpisy.



Národný znak zhody Ukrajiny



Euroázijská značka zhody



DANE TECHNICZNE

	BE 750 R	SBE 705 RE	SBE 705 RZ
Numer produkcyjny.....	4491 61 04.....	4428 31 04.....	4494 91 04.....
Moc wyjściowa.....	750 W.....	705 W.....	705 W.....
Prędkość bez obciążenia.....	375 W.....	350 W.....	350 W.....
Maksymalna prędkość obrotowa pod obciążeniem.....	0-3000 min ⁻¹	0-2800 min ⁻¹	0-2800 min ⁻¹
Częstotliwość uderu przy obciążeniu maks.....	1450 min ⁻¹	1600 min ⁻¹	1600 min ⁻¹
Moment statyczny zakleszczenia *.....	27 Nm.....	25 Nm.....	25 Nm.....
Zdolność wiercenia w betonie.....	15 mm.....	15 mm.....	15 mm.....
Zdolność wiercenia w cegła i płytki ceramiczne.....	20 mm.....	20 mm.....	20 mm.....
Zdolność wiercenia w stali.....	13 mm.....	13 mm.....	13 mm.....
Zdolność wiercenia w drewno miękkie.....	30 mm.....	30 mm.....	30 mm.....
Zakres otwarcia uchwytu wiertarskiego.....	1,5-13 mm.....	1,5-13 mm.....	1,5-13 mm.....
Chwył napędu.....	1/2"x20.....	1/2"x20.....	1/2"x20.....
Średnica szyjki uchwytu.....	43 mm.....	43 mm.....	43 mm.....
Ciężar wg procedury EPTA 01/2014.....	1,95 kg.....	1,95 kg.....	1,95 kg.....

Informacja dotycząca szumów

Zmierzone wartości wyznaczone zgodnie z normą EN 60 745. Poziom szumów urządzenia oszacowany jako A wynosi typowo:

Jako wiertarka/wkrętarka:

Poziom ciśnienia akustycznego (Niepewność K=3dB(A)).....	81,5 dB (A).....	81,5 dB (A).....	81,5 dB (A).....
Poziom mocy akustycznej (Niepewność K=3dB(A)).....	92,5 dB (A).....	92,5 dB (A).....	92,5 dB (A).....

Jako wiertarka udarowa:

Poziom ciśnienia akustycznego (Niepewność K=3dB(A)).....	89 dB (A).....	89 dB (A).....	89 dB (A).....
Poziom mocy akustycznej (Niepewność K=3dB(A)).....	100 dB (A).....	100 dB (A).....	100 dB (A).....

Należy używać ochroniaczy uszu!

Informacje dotyczące wibracji

Wartości łączne drgań (suma wektorowa trzech kierunków) wyznaczone zgodnie z normą EN 60745

Wiercenie w metalu

Wartość emisji drgań a _{h,DS}	3,4 m/s ²	3,4 m/s ²	3,4 m/s ²
Niepewność K=.....	1,5 m/s ²	1,5 m/s ²	1,5 m/s ²

Wiercenie udarowe w betonie

Wartość emisji drgań a _{h,ID}	20,2 m/s ²	20,2 m/s ²	20,2 m/s ²
Niepewność K=.....	1,5 m/s ²	1,5 m/s ²	1,5 m/s ²

Przykręcanie

Wartość emisji drgań a _v	2,5 m/s ²	2,5 m/s ²	2,5 m/s ²
Niepewność K=.....	1,5 m/s ²	1,5 m/s ²	1,5 m/s ²

DANE TECHNICZNE

	SBE 750 RZ	SBE 750 RE	SBE 750 RES
Numer produkcyjny.....	4428 41 04.....	4428 51 04.....	4497 83 04.....
Moc wyjściowa.....	750 W.....	750 W.....	750 W.....
Prędkość bez obciążenia.....	375 W.....	375 W.....	375 W.....
Maksymalna prędkość obrotowa pod obciążeniem.....	0-3000 min ⁻¹	0-3000 min ⁻¹	0-3000 min ⁻¹
Częstotliwość uderu przy obciążeniu maks.....	1450 min ⁻¹	1450 min ⁻¹	1450 min ⁻¹
Moment statyczny zakleszczenia *.....	23200 min ⁻¹	23200 min ⁻¹	23200 min ⁻¹
Zdolność wiercenia w betonie.....	27 Nm.....	27 Nm.....	27 Nm.....
Zdolność wiercenia w cegła i płytki ceramiczne.....	16 mm.....	16 mm.....	16 mm.....
Zdolność wiercenia w stali.....	20 mm.....	20 mm.....	20 mm.....
Zdolność wiercenia w drewno miękkie.....	13 mm.....	13 mm.....	13 mm.....
Zakres otwarcia uchwytu wiertarskiego.....	1,5-13 mm.....	1,5-13 mm.....	1,5-13 mm.....
Chwył napędu.....	1/2"x20.....	1/2"x20.....	1/2"x20.....
Średnica szyjki uchwytu.....	43 mm.....	43 mm.....	43 mm.....
Ciężar wg procedury EPTA 01/2014.....	1,95 kg.....	1,95 kg.....	1,95 kg.....

Informacja dotycząca szumów

Zmierzone wartości wyznaczone zgodnie z normą EN 60 745.

Poziom szumów urządzenia oszacowany jako A wynosi typowo:

Jako wiertarka/wkrętarka:

Poziom ciśnienia akustycznego (Niepewność K=3dB(A)).....	81,5 dB (A).....	81,5 dB (A).....	81,5 dB (A).....
Poziom mocy akustycznej (Niepewność K=3dB(A)).....	92,5 dB (A).....	92,5 dB (A).....	92,5 dB (A).....

Jako wiertarka udarowa:

Poziom ciśnienia akustycznego (Niepewność K=3dB(A)).....	89 dB (A).....	89 dB (A).....	89 dB (A).....
Poziom mocy akustycznej (Niepewność K=3dB(A)).....	100 dB (A).....	100 dB (A).....	100 dB (A).....

Należy używać ochroniaczy uszu!

Informacje dotyczące wibracji

Wartości łączne drgań (suma wektorowa trzech kierunków) wyznaczone zgodnie z normą EN 60745

Wiercenie w metalu

Wartość emisji drgań a _{h,DS}	3,4 m/s ²	3,4 m/s ²	3,4 m/s ²
Niepewność K=.....	1,5 m/s ²	1,5 m/s ²	1,5 m/s ²

Wiercenie udarowe w betonie

Wartość emisji drgań a _{h,ID}	20,2 m/s ²	20,2 m/s ²	20,2 m/s ²
Niepewność K=.....	1,5 m/s ²	1,5 m/s ²	1,5 m/s ²

Przykręcanie

Wartość emisji drgań a _v	2,5 m/s ²	2,5 m/s ²	2,5 m/s ²
Niepewność K=.....	1,5 m/s ²	1,5 m/s ²	1,5 m/s ²

OSTRZEŻENIE

Podany w niniejszych instrukcjach poziom drgań został zmierzony za pomocą metody pomiarowej zgodnej z normą EN 60745 i może być użyty do porównania ze sobą elektronarzędzi. Nadaje się on również do tymczasowej oceny obciążenia wibracyjnego.

Podany poziom drgań reprezentuje główne zastosowania elektronarzędzia. Jeśli jednakże elektronarzędzie użyte zostanie do innych celów z innymi narzędziami roboczymi lub nie jest dostatecznie konserwowane, wtedy poziom drgań może wykazywać odchylenia. Może to wyraźnie zwiększyć obciążenie wibracjami przez cały okres pracy.

Dla dokładnego określenia obciążenia wibracjami należy uwzględnić również czasy, w których urządzenie jest wyłączone względnie jest włączone, lecz w rzeczywistości nie pracuje. Może to spowodować wyraźną redukcję obciążenia wibracyjnego w całym okresie pracy.

Należy wprowadzić dodatkowe środki zapobiegawcze celem ochrony obsługującego przed oddziaływaniem drgań, jak na przykład: konserwacja narzędzi roboczych i elektronarzędzi, nagrzanie rąk, organizacja przebiegu pracy.

OSTRZEŻENIE! Należy przeczytać wszystkie wskazówki dotyczące bezpieczeństwa i instrukcje. Błędy w przestrzeganiu poniższych wskazówek mogą spowodować porażenie prądem, pożar i/lub ciężkie obrażenia ciała.

Należy starannie przechowywać wszystkie przepisy i wskazówki bezpieczeństwa dla dalszego zastosowania.

WSKAZÓWKI BEZPIECZEŃSTWA DLA WIERTARKA UDAROWA

Do wiercenia udarowego należy zakładać ochronniki słuchu. Hałas może powodować utratę słuchu.

Stosować uchwyty pomocnicze dostarczone z narzędziem. Utrata kontroli może spowodować obrażenia.

Trzymaj urządzenie za izolowane powierzchnie chwytne gdy wykonujesz roboty, w trakcie których narzędzie skrawające może natrafić na ukryte przewody prądowe lub na własny kabel. Styczność narzędzia skrawającego z będącym pod napięciem przewodem może spowodować podłączenie części metalowych urządzenia do napięcia i prowadzić do porażenia prądem elektrycznym.

WSKAZÓWKI BEZPIECZEŃSTWA DLA WKRĘTAREK

W przypadku wykonywania prac, przy których narzędzie robocze może natrafić na ukryte przewody prądowe lub na własny kabel, urządzenie należy trzymać za izolowane uchwyty. Kontakt śruby z przewodem pod napięciem może spowodować podłączenie części metalowych urządzenia do napięcia i prowadzić do porażenia prądem elektrycznym.

DODATKOWE WSKAZÓWKI BEZPIECZEŃSTWA I INSTRUKCJE ROBOCZE

Stosować wyposażenie ochronne. Przy pracy maszyną zawsze nosić okulary ochronne. Zalecana jest odzież ochronna, jak maska pyłochronna, rękawice ochronne, mocne i chroniące przed poślizgiem obuwie, kask i ochronniki słuchu.

Kurz powstający przy pracy z tym elektronarzędziem może być szkodliwy dla zdrowia, w związku z tym nie powinien dotrzeć do ciała. Nosić odpowiednią maskę przeciwpyłową.

Nie wolno obrabiać materiałów, które mogą być przyczyną zagrożenia zdrowia (na przykład azbestu).

W przypadku zablokowania narzędzia nasadzanego należy natychmiast wyłączyć urządzenie! Nie należy ponownie włączać urządzenia tak długo, jak długo narzędzie nasadzone jest zablokowane; przy tym mógłby powstać odrzut zwrotny o dużym momencie reakcyjnym. Należy wykryć i usunąć przyczynę zablokowania narzędzia

nasadzanego uwzględniając wskazówki dotyczące bezpieczeństwa.

Możliwymi przyczynami tego mogą być:

- Skośne ustawienie się w poddawany obróbcie przedmiocie obrabianym
- Przerwanie materiału poddawany obróbcie
- Przeciążenie narzędzia elektrycznego

Nie należy sięgać do wnętrza maszyny będącej w ruchu.

Narzędzie nasadzone może w trakcie użytkowania stać się gorące.

OSTRZEŻENIE! Niebezpieczeństwo oparzenia się

- przy wymianie narzędzia
- przy odstawianiu urządzenia

Podczas pracy elektronarzędzia nie wolno usuwać trocin ani drzazg.

Kabel zasilający nie może znajdować się w obszarze roboczym elektronarzędzia. Powinien on się zawsze znajdować się za operatorem.

Podczas pracy przy ścianach, sufitach i podłodze należy uważać na kable elektryczne, przewody gazowe i wodociągowe.

Należy zabezpieczyć przedmiot poddawany obróbcie za pomocą urządzenia mocującego. Niezabezpieczone przedmioty poddawane obróbcie mogą spowodować ciężkie obrażenia ciała i uszkodzenia.

Przed przystąpieniem do jakichkolwiek prac związanych z elektronarzędziem należy wyjąć wtyczkę z gniazdka.

Przy pracy z wiertłami o dużych średnicach uchwyt pomocniczy należy zamocować pod kątem prostym w stosunku do uchwyty głównego (patrz ilustracje, rozdział "Obrót uchwyty").

WARUNKI UŻYTKOWANIA

Elektroniczna wiertarka/wkrętarka przeznaczona do uniwersalnych zastosowań przy wierceniu, wierceniu udarowym, wkręcaniu i gwintowaniu.

Produkt można użytkować wyłącznie zgodnie z jego normalnym przeznaczeniem.

DEKLARACJA ZGODNOŚCI CE

Oświadczamy na naszą wyłączną odpowiedzialność, że produkt opisany w punkcie „Dane techniczne” jest zgodny ze wszystkimi istotnymi przepisami Dyrektywy 2011/65/EU (RoHS), 2014/30/UE, 2006/42/WE oraz z następującymi zharmonizowanymi dokumentami normatywnymi:

EN 55014-1:2017
EN 60745-1:2009+A11:2010
EN 60745-2-1:2010
EN 60745-2-2:2010
EN 61000-3-3:2013
EN 61000-3-2:2014
EN 55014-2:2015
EN 50581:2012

Winnenden, 2018-02-26



Alexander Krug
Managing Director



Upelnomocniony do zestawienia danych technicznych

Techtronic Industries GmbH
Max-Eyth-Straße 10
71364 Winnenden
Germany

PODŁĄCZENIE DO SIECI

Urządzenia pracujące w wielu różnych miejscach, w tym poza pomieszczeniami zamkniętymi, należy podłączać poprzez ochronny (FI, RCD, PRCD) wyłącznik udarowy.

Podłączać tylko do źródła zasilania prądem zmiennym jednofazowym i wyłącznie o napięciu podanym na tabliczce znamionowej. Możliwe jest również podłączenie do gniazdka bez uziemienia, ponieważ konstrukcja odpowiada II klasie bezpieczeństwa.

Przed włożeniem wtyczki do gniazdka upewnić się, czy urządzenie jest wyłączone.

UTRZYMANIE I KONSERWACJA

Otwory wentylacyjne elektronarzędzia muszą być zawsze drożne.

Jeśli elektronarzędzia używa się głównie do wiercenia udarowego, należy regularnie oczyszczać uchwyt narzędziowy z pyłu. Trzymając elektronarzędzie uchwytem pionowo skierowane w dół, należy go całkowicie otworzyć, a następnie zamknąć. Nagromadzony pył wyleci z uchwyty.

Zaleca się regularne czyszczenie szczęk zaciskowych i usuwanie wiórow wiertarskich przy pomocy środka czyszczącego (Nr. ident. 4932 6217 19).

Jeżeli kabel zasilania sieciowego jest uszkodzony, musi on być wymieniony przez serwis naprawczy, ponieważ niezbędne jest specjalne narzędzie.

Należy stosować wyłącznie wyposażenie dodatkowe i części zamienne AEG. W przypadku konieczności wymiany części, dla których nie podano opisu, należy skontaktować się z przedstawicielami serwisu AEG (patrz lista punktów obsługi gwarancyjnej/serwisowej).

Na życzenie można otrzymać rysunek widoku zespołu rozebranego. Przy zamawianiu należy podać numer oraz typ elektronarzędzia umieszczony na tabliczce znamionowej. Zamówienia można dokonać albo u lokalnych przedstawicieli serwisu, albo bezpośrednio w Techtronic Industries GmbH, Max-Eyth-Straße 10, 71364 Winnenden, Germany.

SYMBOLE



UWAGA! OSTRZEŻENIE NIEBEZPIECZEŃSTWO!



Przed przystąpieniem do jakichkolwiek prac związanych z elektronarzędziem należy wyjąć wtyczkę z gniazdka.



Przed uruchomieniem elektronarzędzia zapoznać się uważnie z treścią instrukcji.



Wyposażenie dodatkowe dostępne osobno.



Urządzenia elektryczne nie mogą być usuwane razem z odpadami pochodzącymi z gospodarstw domowych.

Urządzenia elektryczne i elektroniczne należy gromadzić oddzielnie i w celu usuwania ich od odpadów zgodnie z wymaganiami środowiska naturalnego oddawać do przedsiębiorstwa utylizacyjnego. Proszę zasięgnąć informacji o centrach recyklingowych i punktach zbiorczych u władz lokalnych lub u wyspecjalizowanego dostawcy.



Elektronarzędzie klasy ochrony II. Elektronarzędzie, w którym zabezpieczenie przed porażeniem prądowym zależy nie tylko od izolacji podstawowej, lecz również od tego, czy zostały zastosowane dodatkowe środki ochrony, takie jak: izolacja podwójna lub izolacja wzmacniona. Nie ma żadnego urządzenia do podłączenia przewodu ochronnego.



Znak CE



Regulatory Compliance Mark (RCM). Produkt spełnia obowiązujące przepisy.



Krajowy znak zgodności Ukraina



Znak zgodności EurAsian

MŰSZAKI ADATOK	BE 750 R	SBE 705 RE	SBE 705 RZ
Gyártási szám.....	4491 61 04.....	4428 31 04.....	4494 91 04.....
Névleges teljesítményfelvétel.....	750 W.....	705 W.....	705 W.....
Leadott teljesítmény.....	375 W.....	350 W.....	350 W.....
Üresjárat fordulatszám.....	0-3000 min ⁻¹	0-2800 min ⁻¹	0-2800 min ⁻¹
Fordulatszám terhelés alatt max.....	1450 min ⁻¹	1600 min ⁻¹	1600 min ⁻¹
Útösszám terhelés alatt max.....	- min ⁻¹	25600 min ⁻¹	25600 min ⁻¹
Statikus blokkoló mozgás *.....	27 Nm.....	25 Nm.....	25 Nm.....
Furat-Ø betonba.....	15 mm.....	15 mm.....	15 mm.....
Furat-Ø téglába és mészkőbe.....	20 mm.....	20 mm.....	20 mm.....
Furat-Ø acélba.....	13 mm.....	13 mm.....	13 mm.....
Furat-Ø puhafa.....	30 mm.....	30 mm.....	30 mm.....
Befogási tartomány.....	1,5-13 mm.....	1,5-13 mm.....	1,5-13 mm.....
Fúró tengely.....	1/2"x20.....	1/2"x20.....	1/2"x20.....
Feszítőnyak-Ø.....	43 mm.....	43 mm.....	43 mm.....
Súly a 01/2014 EPTA-eljárás szerint.....	1,95 kg.....	1,95 kg.....	1,95 kg.....

* Az AEG N 877318 szabvány szerint mérve

Zajinformáció

A köztölt értékek megfelelnek az EN 60 745 szabványnak.

A készülék munkahelyi zajszintje tipikusan:

Fúrógépként/csavarozógépként:

Hangnyomás szint (K bizonytalanság=3dB(A)).....81,5 dB (A).....81,5 dB (A).....81,5 dB (A)

Hangteljesítmény szint (K bizonytalanság=3dB(A)).....92,5 dB (A).....92,5 dB (A).....92,5 dB (A)

Ütvefúrógépként:

Hangnyomás szint (K bizonytalanság=3dB(A)).....-.....89 dB (A).....89 dB (A)

Hangteljesítmény szint (K bizonytalanság=3dB(A)).....-.....100 dB (A).....100 dB (A)

Hallásvédő eszköz használata ajánlott!

Vibráció-információk

Összesített rezgésértékek (három irány vektorális összeg az EN 60745-nek megfelelően meghatározva).

Fúrás fémben			
ah, D rezgésemisszió érték.....	3,4 m/s ²	3,4 m/s ²	3,4 m/s ²
K bizonytalanság.....	1,5 m/s ²	1,5 m/s ²	1,5 m/s ²
Ütvefúrás betonban			
ah, ID rezgésemisszió érték.....	20,2 m/s ²	20,2 m/s ²	20,2 m/s ²
K bizonytalanság.....	1,5 m/s ²	1,5 m/s ²	1,5 m/s ²
Csavarozás			
ah rezgésemisszió érték.....	2,5 m/s ²	2,5 m/s ²	2,5 m/s ²
K bizonytalanság.....	1,5 m/s ²	1,5 m/s ²	1,5 m/s ²

MŰSZAKI ADATOK	SBE 750 RZ	SBE 750 RE	SBE 750 RES
Gyártási szám.....	4428 41 04.....	45 5701 03.....	4497 83 04.....
Névleges teljesítményfelvétel.....	0.00001-999999.....	0.00001-999999.....	0.00001-999999.....
Leadott teljesítmény.....	750 W.....	750 W.....	750 W.....
Üresjárat fordulatszám.....	375 W.....	375 W.....	375 W.....
Fordulatszám terhelés alatt max.....	0-3000 min ⁻¹	0-3000 min ⁻¹	0-3000 min ⁻¹
Útösszám terhelés alatt max.....	1450 min ⁻¹	1450 min ⁻¹	1450 min ⁻¹
Statikus blokkoló mozgás *.....	23200 min ⁻¹	23200 min ⁻¹	23200 min ⁻¹
Furat-Ø betonba.....	27 Nm.....	27 Nm.....	27 Nm.....
Furat-Ø téglába és mészkőbe.....	16 mm.....	16 mm.....	16 mm.....
Furat-Ø acélba.....	20 mm.....	20 mm.....	20 mm.....
Furat-Ø puhafa.....	13 mm.....	13 mm.....	13 mm.....
Befogási tartomány.....	30 mm.....	30 mm.....	30 mm.....
Fúró tengely.....	1,5-13 mm.....	1,5-13 mm.....	1,5-13 mm.....
Feszítőnyak-Ø.....	1/2"x20.....	1/2"x20.....	1/2"x20.....
Súly a 01/2014 EPTA-eljárás szerint.....	43 mm.....	43 mm.....	43 mm.....
* Az AEG N 877318 szabvány szerint mérve.....	1,95 kg.....	1,95 kg.....	1,95 kg.....

Zajinformáció

A köztölt értékek megfelelnek az EN 60 745 szabványnak.

A készülék munkahelyi zajszintje tipikusan:

Fúrógépként/csavarozógépként:

Hangnyomás szint (K bizonytalanság=3dB(A)).....81,5 dB (A).....81,5 dB (A).....81,5 dB (A)

Hangteljesítmény szint (K bizonytalanság=3dB(A)).....92,5 dB (A).....92,5 dB (A).....92,5 dB (A)

Ütvefúrógépként:

Hangnyomás szint (K bizonytalanság=3dB(A)).....89 dB (A).....89 dB (A).....89 dB (A)

Hangteljesítmény szint (K bizonytalanság=3dB(A)).....100 dB (A).....100 dB (A).....100 dB (A)

Hallásvédő eszköz használata ajánlott!

Vibráció-információk

Összesített rezgésértékek (három irány vektorális összeg az EN 60745-nek megfelelően meghatározva).

Fúrás fémben			
ah, D rezgésemisszió érték.....	3,4 m/s ²	3,4 m/s ²	3,4 m/s ²
K bizonytalanság.....	1,5 m/s ²	1,5 m/s ²	1,5 m/s ²
Ütvefúrás betonban			
ah, ID rezgésemisszió érték.....	20,2 m/s ²	20,2 m/s ²	20,2 m/s ²
K bizonytalanság.....	1,5 m/s ²	1,5 m/s ²	1,5 m/s ²
Csavarozás			
ah rezgésemisszió érték.....	2,5 m/s ²	2,5 m/s ²	2,5 m/s ²
K bizonytalanság.....	1,5 m/s ²	1,5 m/s ²	1,5 m/s ²

FIGYELMEZTETÉS

A jelen utasításokban megadott rezgésszint értéke az EN 60745-ben szabályozott mérési eljárásnak megfelelően került leírásra, és használható elektromos szerszámokkal történő összehasonlítható. Az érték alkalmas a rezgésterhelés előzetes megbecslésére is.

A megadott rezgésszint-érték az elektromos szerszám legfőbb alkalmazásait reprezentálja. Ha az elektromos szerszámot azonban más alkalmazásokhoz, eltérő használt szerszámokkal vagy nem elegendő karbantartással használják, a rezgésszint értéke eltérő lehet. Ez jelentősen megnövelheti a rezgésterhelést a munkavégzés teljes időtartama alatt.

A rezgésterhelés pontos megbecsléséhez azokat az időket is figyelembe kell venni, melyekben a készülék lekapcsolódik, vagy ugyan működik, azonban ténylegesen nincs használatban. Ez jelentősen csökkentheti a rezgésterhelést a munkavégzés teljes időtartama alatt.

Határozzon meg további biztonsági intézkedéseket a kezelő védelmére a rezgések hatása ellen, például: az elektromos és a használt szerszámok karbantartásával, a kezék melegen tartásával, a munkafolyamatok megszerzésével.

▲ FIGYELMEZTETÉS! Olvasson el minden biztonsági útmutatót és utasítást. A következőkben leírt előírások betartásának elmulasztása áramütésekhez, tűzhoz és/vagy súlyos testi sérülésekhez vezethet.

Kérjük a későbbi használatra gondosan őrizze meg ezeket az előírásokat.

▲ BIZTONSÁGI ÚTMUTATÁSOK AZ ÜTVEFÚRÓ

Ütvefúráskor viseljen hallásvédőt. A zaj hatása hallásvesztést okozhat.

Használja a készülékkel együtt szállított kézfogantyúkat. A készülék fölötti ellenőrzés elvesztése sérüléseket okozhat.

A készüléket a szigetelt markolatfelületeket fogva tartsa, ha olyan munkákat végez, amelyeknél a vágószerszám rejteit elektromos vezetékbe vagy saját vezetékbe ütközhet. A vágószerszám feszültségvezető vezetékkel való érintkezésekor a készülék fém részei is feszültség alá kerülhetnek, és elektromos áramütés következhet be.

▲ BIZTONSÁGI ÚTMUTATÁSOK CSAVAROZÓGÉPEKHEZ

A szigetelt markolatfelületen fogja a készüléket, ha olyan munkákat végez, amelyeknél a használt szerszám rejteit villamos vezetékkel vagy a saját kábelével érintkezhet. A csavar feszültségvezető vezetékkel érintkezve fém alkatrészeket helyezhet feszültség alá, és elektromos áramütést idézhet elő.

TOVÁBBI BIZTONSÁGI ÉS MUNKAVÉGZÉSI UTASÍTÁSOK

Használjon védőfelszerelést! Ha a gépen dolgozik, mindig hordjon védőszemüveget! Javasoljuk a védőruházat, úgymint porvédő maszk, védőcipő, erős és csúszásbiztos lábbeli, sisak és hallásvédő használatát.

A munka során keletkező por gyakran egészségre káros, ezért ne kerüljön a szervezetbe. Hordjon e célra alkalmas porvédőmaszkot.

Nem szabad olyan anyagokat megmunkálni, amelyek egészségre veszélyesek (pl. azbesztt).

A betétszerszám elakadásakor azonnal ki kell kapcsolni a készüléket! Addig ne kapcsolja vissza a készüléket, amíg a betétszerszám elakadása fennáll; ennek során nagy ellennyomatékú visszarúgás történhet. Határozza és szüntesse meg a betétszerszám elakadásának okát a biztonsági útmutatások betartása mellett.

Ennek következők lehetnek az okai:

- a szerszám elakad a megmunkálandó munkadarabban
- a megmunkálandó anyag átszakad
- az elektromos szerszám túlterhelése

Ne nyúljon a járó géphez.

A betétszerszám az alkalmazás során felforrósodhat. **FIGYELMEZTETÉS!** Egési sérülések veszélye

- szerszámcserekor
- a készülék lerakásakor

A munka közben keletkezett forgácsokat, szilánkokat, törmelékét, stb. csak a készülék teljes leállása után szabad a munkaterületről eltávolítani.

Munka közben a hálózati csatlakozókábelt a sérülés elkerülése érdekében a munkaterületétől, illetve a készüléktől távol kell tartani.

Falban, földben, aljzatban történő fúrásnál fokozottan ügyelni kell az elektromos-, víz- és gázvezetésekre.

Biztosítsa a munkadarabot befogó szerkezettel. A nem biztosított munkadarabok súlyos sérüléseket és károkat okozhatnak.

Bármilyen jellegű karbantartás vagy javítás előtt a készüléket áramtalanítani kell.

Ha nagy átmérőjű fúróval dolgozik a segédfogantyút a megfelelő szögbe kell állítani a főfogantyúhoz viszonyítva. (Lásd az illusztrációk fejezetben: "a fogantyú beállítása").

RENDELTESSZERŰ HASZNÁLAT

Az elektronikus útvefúró/csavarozó általánosan használható fúráshoz, útvefúráshoz, csavarozáshoz és menetvágáshoz.

A készüléket kizárólag az alábbiakban leírtaknak megfelelően szabad használni.

CE-AZONOSSÁGI NYILATKOZAT

Egyedüli felelősséggel kijelentjük, hogy a „Műszaki Adatok” alatt leírt termék a 2011/65/EU (RoHS), 2014/30/EU, 2006/42/EK irányelvek minden releváns előírásának, ill. az alábbi harmonizált normatív dokumentumoknak megfelel:

EN 55014-1:2017
EN 60745-1:2009+A11:2010
EN 60745-2-1:2010
EN 60745-2-2:2010
EN 61000-3-3:2013
EN 61000-3-2:2014
EN 55014-2:2015
EN 50581:2012

Winnenden, 2018-02-26



Alexander Krug
Managing Director



Műszaki dokumentáció összeállításra felhatalmazva

Techtronic Industries GmbH

Max-Eyth-Straße 10

71364 Winnenden

Germany

HÁLÓZATI CSATLAKOZTATÁS

Szabadban a dugalját hibaáram-védőkapcsolóval kell ellátni. Az elektromos készülékek használata utasítása ezt kötelezően előírja (FI, RCD, PRCD). Ügyeljen erre az elektromos kiegészítők használatakor is.

A készüléket csak egyfázisú váltóáramra és a teljesítménytáblán megadott hálózati feszültségre csatlakoztassa. A csatlakoztatás védőérintkező nélkülű dugaszolóaljzatokra is lehetséges, mivel a készülék felépítése II. védettségi osztályú.

Mielőtt áram alá helyezi a gépet, győződjön meg róla, hogy a gép ki van kapcsolva.

KARBANTARTÁS

A készülék szellőzőnyílásait mindig tisztán kell tartani.

Gyakori útvefűrés esetén a tokmányt időről-időre meg kell tisztítani. A tisztításhoz fordítsa a készüléket tokmánnal lefelé és a tokmányt teljes befogási tartományban nyissa, illetve zárja. Az összegyűlt por kihullik a tokmányból.

Tisztítóspray (4932 6217 19) rendszeres használata a feszítőpofák és furataik tisztításához ajánlott.

Ha a hálózati csatlakozóvezeték megsérült, akkor azt ügyfélszolgálati hely által kell kicseréltetni, mert ahhoz speciális szerszám szükséges.

Javításhoz, karbantartáshoz kizárólag AEG alkatrészeket és tartozékokat szabad használni. A készülék azon részeinek cseréjét, amit a kezelési útmutató nem engedélyez, kizárólag a javításra feljogosított márkaszerviz végezheti. (Lásd a szervizlistát)

Szükség esetén a készülékek robbantott ábráját - a készülék típusa és azonosító száma alapján a területileg illetékes Milwaukee márkaszerviztől vagy közvetlenül a gyártótól (Techtron Industries GmbH, Max-Eyth-Straße 10, 71364 Winnenden, Germany) lehet kérni.

SZIMBÓLUMOK



FIGYELEM! FIGYELMEZTETÉS! VESZÉLY!



Bármilyen jellegű karbantartás vagy javítás előtt a készüléket áramtalanítani kell.



Kérjük alaposan olvassa el a tájékoztatót mielőtt a gépet használja.



Azokat a tartozékokat, amelyek gyárilag nincsenek a készülékhez mellékelve, külön lehet megrendelni.



Az elektromos eszközöket nem szabad a háztartási hulladékkal együtt ártalmatlanítani. Az elektromos és elektronikus eszközöket szelektíven kell gyűjteni, és azokat környezetbarát ártalmatlanítás céljából hulladékhasznosító üzemben kell leadni. A helyi hatóságoknál vagy szakkereskedőjénél tájékozódjon a hulladékudvarokról és gyűjtőhelyekről.



II. védelmi osztályú elektromos szerszám. Olyan elektromos szerszám, amelynél az elektromos áramütés elleni védelem nem csak az alapszigeteléstől függ, hanem amelyben kiegészítő védőintézkedéseket, mint pl. kettős szigetelés vagy megerősített szigetelés, alkalmaznak. Nincs lehetőség védőérintkezéssel csatlakoztatására.



CE-jelölés



Regulatory Compliance Mark (RCM). A termék teljesíti az érvényben lévő előírásokat.



Ukrán nemzeti megfelelőségi jelölés



Eurázsiai megfelelőségi jelzés.

TEHNIČNI PODATKI

	BE 750 R	SBE 705 RE	SBE 705 RZ
Proizvodna številka.....	4491 61 04.....	4428 31 04.....	4494 91 04.....
.....000001-999999000001-999999000001-999999
Nazivna sprejemna moč.....	750 W.....	705 W.....	705 W.....
Oddajna zmogljivost.....	375 W.....	350 W.....	350 W.....
Število vrtljajev v prostem teku.....	0-3000 min ⁻¹	0-2800 min ⁻¹	0-2800 min ⁻¹
Število vrtljajev pri obremenitvi maks.....	1450 min ⁻¹	1600 min ⁻¹	1600 min ⁻¹
bremensko število udarcev maks.....	- min ⁻¹	25600 min ⁻¹	25600 min ⁻¹
Statični blokirni moment *.....	27 Nm.....	25 Nm.....	25 Nm.....
Vrtalni ø v betonu.....	15 mm.....	15 mm.....	15 mm.....
Vrtalni ø v opeki in apnenem peščencu.....	20 mm.....	20 mm.....	20 mm.....
Vrtalni ø v jeklu.....	13 mm.....	13 mm.....	13 mm.....
Vrtalni ø v mehkem lesu.....	30 mm.....	30 mm.....	30 mm.....
Napenjalno področje vpenjalne glave.....	1,5-13 mm.....	1,5-13 mm.....	1,5-13 mm.....
Vrtalno vreteno.....	1/2"x20.....	1/2"x20.....	1/2"x20.....
Vpenjalni vrat ø.....	43 mm.....	43 mm.....	43 mm.....
Teža po EPTA-proceduri 01/2014.....	1,95 kg.....	1,95 kg.....	1,95 kg.....
* Izmerjeno po AEG normi N 877318			

Informacije o hrupnosti

Vrednosti merjenja ugotovljene ustrezno z EN 60 745. Raven hrupnosti naprave ovrednotena z A, znaša tipično:

Kot vrtalnik/vijačnik			
Nivo zvočnega tlaka (Nevarnost K=3dB(A)).....	81,5 dB (A).....	81,5 dB (A).....	81,5 dB (A).....
Višina zvočnega tlaka (Nevarnost K=3dB(A)).....	92,5 dB (A).....	92,5 dB (A).....	92,5 dB (A).....
Kot udarni vrtalnik			
Nivo zvočnega tlaka (Nevarnost K=3dB(A)).....	-.....	89 dB (A).....	89 dB (A).....
Višina zvočnega tlaka (Nevarnost K=3dB(A)).....	-.....	100 dB (A).....	100 dB (A).....

Nosite zaščito za sluh!

Informacije o vibracijah

Skupna vibracijska vrednost (Vektorska vsota treh smerdoločena ustrezno EN 60745.

Vrtanje v kovine			
Vibracijska vrednost emisij a _{h,DS}	3,4 m/s ²	3,4 m/s ²	3,4 m/s ²
Nevarnost K=.....	1,5 m/s ²	1,5 m/s ²	1,5 m/s ²
Udarno vrtanje v betonu			
Vibracijska vrednost emisij a _{h,UD}	20,2 m/s ²	20,2 m/s ²	20,2 m/s ²
Nevarnost K=.....	1,5 m/s ²	1,5 m/s ²	1,5 m/s ²
Vijačenje			
Vibracijska vrednost emisij a _h	2,5 m/s ²	2,5 m/s ²	2,5 m/s ²
Nevarnost K=.....	1,5 m/s ²	1,5 m/s ²	1,5 m/s ²

TEHNIČNI PODATKI

	SBE 750 RZ	SBE 750 RE	SBE 750 RES
Proizvodna številka.....	4428 41 04.....	4428 51 04.....	4497 83 04.....
.....4494 96 04.....4494 96 04.....4494 96 04.....
Nazivna sprejemna moč.....	750 W.....	750 W.....	750 W.....
Oddajna zmogljivost.....	375 W.....	375 W.....	375 W.....
Število vrtljajev v prostem teku.....	0-3000 min ⁻¹	0-3000 min ⁻¹	0-3000 min ⁻¹
Število vrtljajev pri obremenitvi maks.....	1450 min ⁻¹	1450 min ⁻¹	1450 min ⁻¹
bremensko število udarcev maks.....	23200 min ⁻¹	23200 min ⁻¹	23200 min ⁻¹
Statični blokirni moment *.....	27 Nm.....	27 Nm.....	27 Nm.....
Vrtalni ø v betonu.....	16 mm.....	16 mm.....	16 mm.....
Vrtalni ø v opeki in apnenem peščencu.....	20 mm.....	20 mm.....	20 mm.....
Vrtalni ø v jeklu.....	13 mm.....	13 mm.....	13 mm.....
Vrtalni ø v mehkem lesu.....	30 mm.....	30 mm.....	30 mm.....
Napenjalno področje vpenjalne glave.....	1,5-13 mm.....	1,5-13 mm.....	1,5-13 mm.....
Vrtalno vreteno.....	1/2"x20.....	1/2"x20.....	1/2"x20.....
Vpenjalni vrat ø.....	43 mm.....	43 mm.....	43 mm.....
Teža po EPTA-proceduri 01/2014.....	1,95 kg.....	1,95 kg.....	1,95 kg.....
* Izmerjeno po AEG normi N 877318			

Informacije o hrupnosti

Vrednosti merjenja ugotovljene ustrezno z EN 60 745. Raven hrupnosti naprave ovrednotena z A, znaša tipično:

Kot vrtalnik/vijačnik			
Nivo zvočnega tlaka (Nevarnost K=3dB(A)).....	81,5 dB (A).....	81,5 dB (A).....	81,5 dB (A).....
Višina zvočnega tlaka (Nevarnost K=3dB(A)).....	92,5 dB (A).....	92,5 dB (A).....	92,5 dB (A).....
Kot udarni vrtalnik			
Nivo zvočnega tlaka (Nevarnost K=3dB(A)).....	89 dB (A).....	89 dB (A).....	89 dB (A).....
Višina zvočnega tlaka (Nevarnost K=3dB(A)).....	100 dB (A).....	100 dB (A).....	100 dB (A).....

Nosite zaščito za sluh!

Informacije o vibracijah

Skupna vibracijska vrednost (Vektorska vsota treh smerdoločena ustrezno EN 60745.

Vrtanje v kovine			
Vibracijska vrednost emisij a _{h,DS}	3,4 m/s ²	3,4 m/s ²	3,4 m/s ²
Nevarnost K=.....	1,5 m/s ²	1,5 m/s ²	1,5 m/s ²
Udarno vrtanje v betonu			
Vibracijska vrednost emisij a _{h,UD}	20,2 m/s ²	20,2 m/s ²	20,2 m/s ²
Nevarnost K=.....	1,5 m/s ²	1,5 m/s ²	1,5 m/s ²
Vijačenje			
Vibracijska vrednost emisij a _h	2,5 m/s ²	2,5 m/s ²	2,5 m/s ²
Nevarnost K=.....	1,5 m/s ²	1,5 m/s ²	1,5 m/s ²

OPOZORILO

V teh navodilih navedena raven treslajev je bila izmerjena po EN60745 normiranem merilnem postopku in lahko služi medsebojni primerjavi električnih orodij. Prav tako je primeren za predhodno oceno obremenitve s treslajji.

Navedena raven treslajev navaja najpomembnejše vrste rabe električnega orodja. Kadar se električno orodje uporablja za drugačne namene, z odstopajočimi orodji ali pa z nezadostnim vzdrževanjem, lahko raven treslajev tudi odstopa. Le to lahko čez celoten delovni čas znatno zviša obremenitev s tresenjem.

Za natančno oceno obremenitve s treslajji naj bi se upošteval tudi čas v katerem je naprava izklopljena ali sicer teče, vendar dejansko ni v rabi. Le to lahko obremenitev s treslajji čez celoten delovni čas znatno zmanjša.

Za zaščito upravljalca pred učinkom treslajev uvedite dodatne zaščitne ukrepe npr.: Vzdrževanje električnega orodja in orodja, delo s toplimi rokami, organizacija delovnih potekov.

⚠ OPOZORILO! Preberite vsa varnostna opozorila in navodila. Napake zaradi neupoštevanja spodaj navedenih opozoril in napotil lahko povzročijo električni udar, požar in/ali težke telesne poškodbe.
Vsa opozorila in napotila shranite, ker jih boste v prihodnje še potrebovali.

⚠ VARNOSTNA OPOZORILA ZA TOLKALA VAJA

Pri udarnemu vrtnanju nosite glušnik. Hrup lahko povzroči izgubo sluha.

Uporabite dodatne ročaje, ki so dobavljeni skupaj z napravo. Izguba kontrole lahko povzroči poškodbe.

Kadar izvajate dela pri katerih lahko orodje zadane prikrito električno napeljavo ali lasten vodnik, je napravo potrebno držati za izolirane prijemalne površine. Stik rezalnega orodja z napetostnim vodnikom napeljave lahko privede kovinske dele naprave pod napetost in vodi do električnega udara.

⚠ VARNOSTNA OPOZORILA ZA VIJAČNIKE

Kadar izvajate dela pri katerih bi uporabljeno orodje lahko zadelo prikrito električno napeljavo, držite napravo za izolirane oprijemalne površine. Stik svedra z električnim vodnikom lahko kovinske deli naprave spravi pod napetost in vodi do električnega udara.

NADALJNA VARNOSTNA IN DELOVNA OPOZORILA

Uporabite zaščitno opremo. Pri delu s strojem vedno nosite zaščitna očala. Priporočajo se zaščitna oblačila, kot npr. maska za zaščito proti prahu, zaščitne rokavice, trdno in nedrseče obuvalo, čelada in zaščita za sluh.

Prah, ki nastaja pri delu, je pogosto zdravju škodljiv in naj ne zaide v telo. Nosite ustrezno masko proti prahu.

Obdelava materialov, iz katerih izhajajo ogroženost zdravja (npr. azbest), ni dovoljena.

V primeru blokade orodja napravo takoj izklopite! Naprave ponovno ne vklaplajte dokler je orodje blokirano; pri tem bi lahko prišlo do povratnega udara z velikim reakcijskim momentom. Ugotovite in odpravite vzroke blokade orodja ob upoštevanju varnostnih navodil.

Možni razlogi so lahko:

- Zagozditev v obdelovancu
- prežganje obdelovanega materiala
- Preobremenitev električnega orodja

Ne segajte v stroj v teku.

Orodje lahko med uporabo postane vroče.

OPOZORILO! Nevarnost opeklin

- pri menjavi orodja
- pri odlaganju naprave

Trske ali iveri se pri tekočem stroju ne smejo odstranjevati.

Vedno pazite, da se priključni kabel ne približa področju delovanja stroja. Kabel vedno vodite za strojem.

Pri delih na steni, stropu ali v tleh pazite na električne kable, plinske in vodne napeljave.

Obdelovanec zavarujte z vpenjalno pripravo. Nezavarovani obdelovanci lahko povzročijo težke poškodbe in okvare.

Pred vsemi deli na stroju izvlecite vtičak iz vtičnice.

Pri velikih premerih vrtnice mora biti dodatni ročaj pritrjen pravokotno na glavni ročaj. Glej tudi slikovni del, odstavek "Obračanje ročaja".

UPORABA V SKLADU Z NAMEMBNOSTJO

Elektronski udarni vrtnalnik je univerzalno uporaben za vrtnanje, udarno vrtnanje, vijačenje in za zarezovanje navojev.

Ta naprava se sme uporabiti samo v skladu z namembnostjo uporabi samo za navede namene.

CE-IZJAVA O KONFORMNOSTI

V lastni odgovornosti izjavljamo, da se pod „Tehnični podatki“ opisan proizvod ujema z vsemi relevantnimi predpisi smernice 2011/65/EU (RoHS), 2014/30/EU, 2006/42/ES in s sledečimi harmoniziranimi normativnimi dokumenti:

EN 55014-1:2017
EN 60745-1:2009+A11:2010
EN 60745-2-1:2010
EN 60745-2-2:2010
EN 61000-3-3:2013
EN 61000-3-2:2014
EN 55014-2:2015
EN 50581:2012

Winnenden, 2018-02-26

Alexander Krug
Managing Director



Pooblaščen za izdelavo spisov tehnične dokumentacije.

Techtronic Industries GmbH
Max-Eyth-Straße 10
71364 Winnenden
Germany

OMREŽNI PRIKLJUČEK

Vtičnice v zunanjem področju morajo biti opremljene z zaščitnimi stikali za okvarni tok (FI, RCD, PRCD). To zahteva instalacijski predpis za vašo električno napravo. Prosimo, da to pri uporabi naše naprave upoštevate.

Priključite samo na enofazni izmenični tok in samo na omrežno napetost, ki je označena na tipski ploščici. Priključitev je možna tudi na vtičnice brez zaščitnega kontakta, ker obstaja nadgradnja zaščitnega razreda.

Napravo priklopite na vtičnico samo v izklopljenem stanju.

VZDRŽEVANJE

Pazite na to, da so prezračevalne reže stroja vedno čiste.

Pri pogostem obratovanju udarnega vrtnanja z vpenjalne glave redno očistite prah. V ta namen vrtnalno vpenjalno glavo držite navpično navzdol ter odprite in zaprite vpenjalno glavo preko celotnega napenjalnega področja. Prah, ki se je nabral, tako padé iz vrtnalne vpenjalne glave.

Priporočena se redna uporaba čistilnega spreja (Id.št. 4932 6217 19) na napenjalnih čeljustih in na vrtninah napenjalnih čeljusti.

V kolikor je priključni omrežni vodnik poškodovan, ga je potrebno s strani servisne službe nadomestiti, ker je za ta namen potrebno posebno orodje.

Uporabljajte samo AEG pribor in nadomestne dele. Poskrbite, da sestavne dele, katerih zamenjava ni opisana, zamenjajo v AEG servisni službi (upoštevajte brošuro Garancija/Naslovi servisnih služb).

Po potrebi se lahko pri vaši servisni službi ali direktno pri Techtronic Industries GmbH naroči eksplozijska risba naprave ob navedbi tipa stroja in številke s tipske ploščice Techtronic Industries GmbH, Max-Eyth-Straße 10, 71364 Winnenden, Germany.

SIMBOLI



POZOR! OPOZORILO! NEVARNO!



Pred vsemi deli na stroju izvlecite vtičak iz vtičnice.



Prosimo, da pred uporabo pozorno preberete to navodilo za uporabo.



Oprema – ni vsebovana v obsegu dobave, priporočeno dopolnilo iz programa opreme.



Električnih naprav ni dovoljeno odstranjevati skupaj z gospodinjstskimi odpadki. Električne in elektronske naprave je potrebno zbirati ločeno in za okolju prijazno odstranitev, oddati podjetju za reciklažo. Pri krajevnem uradu ali vašem strokovnem prodajalcu se pozanimajte glede reciklažnih dvorišč in zbirnih mest.



Električno orodje zaščitnega razreda II. Električno orodje, pri katerem zaščita pred električnim udarom ni odvisna zgolj od osnovne izolacije, temveč tudi od tega, da so uporabljeni dodatni ukrepi, kot dvojna ali okrepljena izolacija. Ni priprave za priključek zaščitnega vodnika.



CE-znak



Regulatory Compliance Mark (RCM).
Proizvod izpolnjuje veljavne predpise.



Nacionalna oznaka skladnosti Ukrajina



EurAsian oznaka o skladnosti.

TEHNIČKI PODACI	BE 750 R	SBE 705 RE	SBE 705 RZ
Broj proizvodnje.....	4491 61 04...	4428 31 04...	4494 91 04...
Snaga nominalnog prijema.....	750 W	705 W	705 W
Predajni učinak.....	375 W	350 W	350 W
Broj okretaja praznog hoda.....	0-3000 min ⁻¹	0-2800 min ⁻¹	0-2800 min ⁻¹
Broj okretaja pod opterećenjem.....	1450 min ⁻¹	1600 min ⁻¹	1600 min ⁻¹
Maksimalan broj udaraca pod opterećenjem.....	- min ⁻¹	25600 min ⁻¹	25600 min ⁻¹
Statični moment blokiranja *.....	27 Nm	25 Nm	25 Nm
Bušenje-Ø u beton.....	15 mm	15 mm	15 mm
Bušenje-Ø u opeku i silikatnu opeku.....	-	20 mm	20 mm
Bušenje-Ø u čelik.....	13 mm	13 mm	13 mm
Bušenje-Ø u mekano drvo.....	30 mm	30 mm	30 mm
Područje stezne glave za stezanje svrdla.....	1,5-13 mm	1,5-13 mm	1,5-13 mm
Vreteno za bušenje.....	1/2"x20	1/2"x20	1/2"x20
Stezno grlo-Ø.....	43 mm	43 mm	43 mm
Težina po EPTA-proceduri 01/2014.....	1,95 kg	1,95 kg	1,95 kg
* Mjereno po AEG normi N 877318			

Informacije o buci
Mjerne vrijednosti utvrđene odgovarajuće EN 60 745.
A-ocijenjeni nivo buke aparata iznosi tipično:
Kao svrdlo/zavrtač:

Nivo pritiska zvuka (Nesigurnost K=3dB(A)).....	81,5 dB (A)	81,5 dB (A)	81,5 dB (A)
Nivo učinka zvuka (Nesigurnost K=3dB(A)).....	92,5 dB (A)	92,5 dB (A)	92,5 dB (A)
Kao udarno svrdlo:			
Nivo pritiska zvuka (Nesigurnost K=3dB(A)).....	-	89 dB (A)	89 dB (A)
Nivo učinka zvuka (Nesigurnost K=3dB(A)).....	-	100 dB (A)	100 dB (A)

Nositi zaštitu sluha!

Informacije o vibracijama

Ukupne vrijednosti vibracije (Vektor suma tri smjersu odmjerene odgovarajuće EN 60745)

Bušenje metala			
Vrijednost emisije vibracije a _{h,DS}	3,4 m/s ²	3,4 m/s ²	3,4 m/s ²
Nesigurnost K=.....	1,5 m/s ²	1,5 m/s ²	1,5 m/s ²
Udarno bušenje u betonu			
Vrijednost emisije vibracije a _{h,UD}	-	20,2 m/s ²	20,2 m/s ²
Nesigurnost K=.....	-	1,5 m/s ²	1,5 m/s ²
Vijčanje			
Vrijednost emisije vibracije a _h	2,5 m/s ²	2,5 m/s ²	2,5 m/s ²
Nesigurnost K=.....	1,5 m/s ²	1,5 m/s ²	1,5 m/s ²

TEHNIČKI PODACI	SBE 750 RZ	SBE 750 RE	SBE 750 RES
Broj proizvodnje.....	4428 41 04...	4428 51 04...	4497 83 04...
Snaga nominalnog prijema.....	750 W	750 W	750 W
Predajni učinak.....	375 W	375 W	375 W
Broj okretaja praznog hoda.....	0-3000 min ⁻¹	0-3000 min ⁻¹	0-3000 min ⁻¹
Broj okretaja pod opterećenjem.....	1450 min ⁻¹	1450 min ⁻¹	1450 min ⁻¹
Maksimalan broj udaraca pod opterećenjem.....	23200 min ⁻¹	23200 min ⁻¹	23200 min ⁻¹
Statični moment blokiranja *.....	27 Nm	27 Nm	27 Nm
Bušenje-Ø u beton.....	16 mm	16 mm	16 mm
Bušenje-Ø u opeku i silikatnu opeku.....	-	20 mm	20 mm
Bušenje-Ø u čelik.....	13 mm	13 mm	13 mm
Bušenje-Ø u mekano drvo.....	30 mm	30 mm	30 mm
Područje stezne glave za stezanje svrdla.....	1,5-13 mm	1,5-13 mm	1,5-13 mm
Vreteno za bušenje.....	1/2"x20	1/2"x20	1/2"x20
Stezno grlo-Ø.....	43 mm	43 mm	43 mm
Težina po EPTA-proceduri 01/2014.....	1,95 kg	1,95 kg	1,95 kg
* Mjereno po AEG normi N 877318			

Informacije o buci
Mjerne vrijednosti utvrđene odgovarajuće EN 60 745.
A-ocijenjeni nivo buke aparata iznosi tipično:
Kao svrdlo/zavrtač:

Nivo pritiska zvuka (Nesigurnost K=3dB(A)).....	81,5 dB (A)	81,5 dB (A)	81,5 dB (A)
Nivo učinka zvuka (Nesigurnost K=3dB(A)).....	92,5 dB (A)	92,5 dB (A)	92,5 dB (A)
Kao udarno svrdlo:			
Nivo pritiska zvuka (Nesigurnost K=3dB(A)).....	89 dB (A)	89 dB (A)	89 dB (A)
Nivo učinka zvuka (Nesigurnost K=3dB(A)).....	100 dB (A)	100 dB (A)	100 dB (A)

Nositi zaštitu sluha!

Informacije o vibracijama

Ukupne vrijednosti vibracije (Vektor suma tri smjersu odmjerene odgovarajuće EN 60745)

Bušenje metala			
Vrijednost emisije vibracije a _{h,DS}	3,4 m/s ²	3,4 m/s ²	3,4 m/s ²
Nesigurnost K=.....	1,5 m/s ²	1,5 m/s ²	1,5 m/s ²
Udarno bušenje u betonu			
Vrijednost emisije vibracije a _{h,UD}	20,2 m/s ²	20,2 m/s ²	20,2 m/s ²
Nesigurnost K=.....	1,5 m/s ²	1,5 m/s ²	1,5 m/s ²
Vijčanje			
Vrijednost emisije vibracije a _h	2,5 m/s ²	2,5 m/s ²	2,5 m/s ²
Nesigurnost K=.....	1,5 m/s ²	1,5 m/s ²	1,5 m/s ²

UPOZORENJE

Ova u ovim uputama navedena razina titranja je bila izmjerena odgovarajuće jednom u EN 60745 normiranom mjerom postupku i može se upotrijebiti za usporedbu električnog alata međusobno. Ona je prikladna i za privremenu procjenu titranja opterećenja.

Navedena razina titranja reprezentira glavne primjene električnog alata. Ukoliko se električni alat upotrebljava u druge svrhe sa odstupajućim primijenjenim alatima ili nedovoljnim održavanjem, onda razina titranja može odstupati. To može titrajno opterećenje kroz cijeli period rada bitno povisiti.

Za točnu procjenu titrajno opterećenja se moraju uzeti u obzir i vremena u kojima je uređaj isključen ili u kojima doduše radi, ali nije i stvarno u upotrebi. To može titrajno opterećenje bitno smanjiti za vrijeme cijelog radnog perioda.

Utvrđite dodatne sigurnosne mjere za zaštitu poslužioca protiv djelovanja titranja kao npr.: Održavanje električnih alata i upotrebljenih alata, održavanje topline ruku, organizacija i radne postupke.

UPOZORENJE! Pročitajte molimo sve sigurnosna upozorenja i upute. Ako se ne bi poštivala napomene o sigurnosti i upute to bi moglo uzrokovati strujni udar, požar i/ili teške ozljede.
Sačuvajte sve napomene o sigurnosti i upute za buduću primjenu.

SIGURNOSNE UPUTE ZA UDARALJKE BUŠILICA

Kod uradnog bušenja nosite zaštitu za sluh. Djelovanje buke može uzrokovati gubitak sluha.

Koristite dodatne drške koje su isporučene sa aparatom. Gubitak kontrole može prouzročiti povrede.

Držite spravu na izoliranim držačkim površinama kada izvodite radove kod kojih rezački alat može pogoditi skrivene vodove struje ili osobni kabel. Kontakt rezačkog alata sa vodovima koji sprovode naponm može metalne dijelove sprave dovesti pod napon i tako dovesti do električnog udara.

SIGURNOSNE UPUTE ZA ODVIJAČ

Napravu držite na izoliranim površinama drške kada izvodite radove kod kojih upotrebljeni alat može pogoditi skrivene vodove struje ili može pogoditi osobni kabel. Kontakt rezačkog alata sa vodovima koji sprovode naponm može metalne dijelove sprave dovesti pod napon i tako dovesti do električnog udara.

OSTALE SIGURNOSNE I RADNE UPUTE

Upotrebljavati zaštitnu opremu. Kod radova sa strojem uvijek nositi zaštitne naočale. Preporučuje se zaštitna odjeća, kao zaštitna maska protiv prašine, zaštitne rukavice, čvrste i protiv klizanja sigurne cipele, šljem i zaštitu sluha.

Prašina koja nastaje prilikom rada je često nezdrava i ne bi smjela dospjeti u tijelo. Nositi prikladnu zaštitnu masku protiv prašine.

Ne smiju se obrađivati nikakvni materijali, od kojih prijeti opasnost po zdravlje (npr. azbest).

Kod blokiranja alata koji se upotrebljava uređaj molimo odmah isključiti! Uređaj nemojte ponovno uključiti za vrijeme dok je alat koji se upotrebljava blokiran; time može doći do povratnog udara sa visokim reakcijskim momentom.

Pronađite i otklonite uzrok blokiranja alata koji se upotrebljava uz poštivanje sigurnosnih uputa.

Mogući uzroci tome mogu biti:

- Izobličavanje u izratku koji se obrađuje
- Probijanje materijala koji se obrađuje
- Preopterećenje električnog alata

Nemojte sezati u stroj koji radi.

Upotrebljeni alat se može za vrijeme korištenja zagrijati.

UPOZORENJE! Opasnost od opekotina

- kod promjene alata
- kod odlaganja uređaja

Piljevina ili iverje se za vrijeme rada stroja ne smiju odstranjivati.

Priključni kabel uvijek držati udaljenim sa područja djelovanja. Kabel uvijek voditi od stroja prema nazad.

Kod radova na zidu, stropu ili podu paziti na električne kablove kao i vodove plina i vode.

Osigurajte vaš izradak jednim steznim uređenjem. Neosigurani izradci mogu prouzročiti teške povrede i oštećenja.

Prije radova na stroju izvući utikač iz utičnice.

Kod velikih promjera bušenja mora dodatna ručka biti pričvršćena pravokutno prema glavnoj ručki. Vidi i sliku, odsječak "Ručku zaokrenuti".

PROPISNNA UPOTREBA

Elektronski udarni bušač/zavrtač je univerzalno upotrebljiv za bušenje, udarno bušenje, zavrtnanje i rezanje navoja.

Ovaj aparat se smije upotrijebiti samo u određene svrhe kao što je navedeno.

CE-IZJAVA KONFORMNOSTI

Izjavljujemo na osobnu odgovornost, da je proizvod opisan pod „Tehnički podaci“, sukladan sa svim relevantnim propisima smjernice 2011/65/EU (RoHS), 2014/30/EU, 2006/42/EC i sa sljedećim harmoniziranim normativnim dokumentima:

EN 55014-1:2017
EN 60745-1:2009+A11:2010
EN 60745-2-1:2010
EN 60745-2-2:2010
EN 61000-3-3:2013
EN 61000-3-2:2014
EN 55014-2:2015
EN 50581:2012

Winnenden, 2018-02-26



Alexander Krug
Managing Director



Ovlašten za formiranje tehničke dokumentacije.

Techtronic Industries GmbH
Max-Eyth-Straße 10
71364 Winnenden
Germany

PRIKLJUČAK NA MREŽU

Utičnice na vanjskom području moraju biti opremljene zaštitnim prekidačima za pogrešnu struju (FI, RCD, PRCD). To zahtjeva instalacijski propis za električne uređaje. Molimo da ovo poštujuete prilikom upotrebe našeg aparata.

Priključiti samo na jednofaznu naizmjeničnu struju i samo na napon struje, naveden na pločici snage. Priključak je moguć i na utičnice bez zaštitnog kontakta, jer postoji dogradnja zaštitne klase II.

Uređaj priključiti na utičnicu samo kada je isključen.

ODRŽAVANJE

Prereze za prozračivanje stroja uvijek držati čistima.

Kod čestog pogona bušenja udaranjem stezna glava se mora redovno osloboditi od prašine. K tome stroj sa steznom glavom držati okomito na dolje i steznu glavu preko cijelog područja stezanja otvoriti i zatvoriti. Nakupljena prašina tako ispada iz stezne glave.

Redovna primjena spraya za čišćenje (Id.br. 4932 6217 19) na steznim čeljustima i bušenjima steznih čeljusti se preporučuje.

Ako je mrežni priključni vod oštećen, mora se od strane servisa zamijeniti, zato što je za to potreban specijalan alat. Primijeniti samo AEG opremu i rezervne dijelove. Sastavne dijelove, čija zamjena nije opisana, dati zamijeniti kod jedne od AEG servisnih službi (poštivati brošuru Garancija/Adrese servisa).

Po potrebi se može zatražiti crtež eksplozije aparata uz davanje podataka o tipu stroja i desetoznamenastog broja na pločici snage kod Vaše servisne službe ili direktno kod Technicon Industries GmbH, Max-Eyth-Straße 10, 71364 Winnenden, Germany.

SIMBOLI



PAŽNJA! UPOZORENIE! OPASNOST!



Prije radova na stroju izvući utikač iz utičnice.



Molimo da pažljivo pročitate uputu o upotrebi prije puštanja u rad.



Oprema - u opsegu isporuke nije sadržana, preporučena dopuna iz promgrama opreme.



Električni uređaji se ne smiju zbrinjavati skupa sa kućnim smećem. Električni uređaji se moraju skupljati odvojeno i predati na zbrinjavanje primjereno okolišu jednom od pogona za iskorišćavanje. Raspitajte se kod mjesnih vlasti ili kod stručnog trgovca u svezi gospodarstva za recikliranje i mjesta skupljanja.



Električni alat zaštitne kategorije II. Električni alat, čija zaštita od jednog električnog udara ne zavisi samo od osnovne izolacije, već i od toga, da se primijene dodatne zaštitne mjere, kao što su dvostruka izolacija ili pojačana izolacija. Ne postoji nikakva naprava za priključak nekog zaštitnog voda.



Oznaka-CE



Regulatory Compliance Mark (RCM).
Proizvod ispunjava valjane propise.



Nacionalni znak konformnosti Ukrajina



EurAsian znak konformnosti.

TEHNIŠKIE DATI

	BE 750 R	SBE 705 RE	SBE 705 RZ
Izlaides numurs	4491 61 04	4428 31 04	4494 91 04
Nominālā atdotā jauda	750 W	705 W	705 W
Cietkoks	375 W	350 W	350 W
Tukšgaitas apgriezienu skaits	0-3000 min ⁻¹	0-2800 min ⁻¹	0-2800 min ⁻¹
maks. apgriezienu skaits ar slodzi	1450 min ⁻¹	1600 min ⁻¹	1600 min ⁻¹
maks. stītienu biežums ar slodzi	- min ⁻¹	25600 min ⁻¹	25600 min ⁻¹
statiskais blokēšanas moments *	27 Nm	25 Nm	25 Nm
Urbšanas diametrs betonā	15 mm	15 mm	15 mm
Urbšanas diametrs kriegelēs un kalķsmilšakmenī	20 mm	20 mm	20 mm
Urbšanas diametrs tēraudā	13 mm	13 mm	13 mm
Urbšanas diametrs mikstkokā	30 mm	30 mm	30 mm
Urbja stiprinājuma amplitūda	1,5-13 mm	1,5-13 mm	1,5-13 mm
Urbja vārpsta	1/2"x20	1/2"x20	1/2"x20
Kakla diametrs	43 mm	43 mm	43 mm
Svars atbilstoši EPTA -Procedure 01/2014	1,95 kg	1,95 kg	1,95 kg

* Mērīts saskaņā ar firmas AEG normu N 877318

Trokšņu informācija

Vērtības, kas noteiktas saskaņā ar EN 60 745.

A novērtētās aparatūras skaņas līmenis ir:

Kā urbis/skrūvgriezis:

Trokšņa spiediena līmenis (Nedrošība K=3dB(A))	81,5 dB (A)	81,5 dB (A)	81,5 dB (A)
Trokšņa jaudas līmenis (Nedrošība K=3dB(A))	92,5 dB (A)	92,5 dB (A)	92,5 dB (A)

Kā āmurburis:

Trokšņa spiediena līmenis (Nedrošība K=3dB(A))	-	89 dB (A)	89 dB (A)
Trokšņa jaudas līmenis (Nedrošība K=3dB(A))	-	100 dB (A)	100 dB (A)

Nēsāt trokšņa slāpētāju!

Vibrāciju informācija

Svārstību kopējā vērtība (Trīs virzienu vektoru summīek noteikta atbilstoši EN 60745).

Metāla urbis

svārstību emisijas vērtība a _{h,DS}	3,4 m/s ²	3,4 m/s ²	3,4 m/s ²
Nedrošība K=	1,5 m/s ²	1,5 m/s ²	1,5 m/s ²

Betona elektriskais urbis

svārstību emisijas vērtība a _{h,ID}	-	20,2 m/s ²	20,2 m/s ²
Nedrošība K=	-	1,5 m/s ²	1,5 m/s ²

Skrūvēšana

svārstību emisijas vērtība a _v	2,5 m/s ²	2,5 m/s ²	2,5 m/s ²
Nedrošība K=	1,5 m/s ²	1,5 m/s ²	1,5 m/s ²

TEHNIŠKIE DATI

	SBE 750 RZ	SBE 750 RE	SBE 750 RES
Izlaides numurs	4428 41 04	4428 51 04	4497 83 04
Nominālā atdotā jauda	750 W	750 W	750 W
Cietkoks	375 W	375 W	375 W
Tukšgaitas apgriezienu skaits	0-3000 min ⁻¹	0-3000 min ⁻¹	0-3000 min ⁻¹
maks. apgriezienu skaits ar slodzi	1450 min ⁻¹	1450 min ⁻¹	1450 min ⁻¹
maks. stītienu biežums ar slodzi	- min ⁻¹	23200 min ⁻¹	23200 min ⁻¹
statiskais blokēšanas moments *	27 Nm	27 Nm	27 Nm
Urbšanas diametrs betonā	16 mm	16 mm	16 mm
Urbšanas diametrs kriegelēs un kalķsmilšakmenī	20 mm	20 mm	20 mm
Urbšanas diametrs tēraudā	13 mm	13 mm	13 mm
Urbšanas diametrs mikstkokā	30 mm	30 mm	30 mm
Urbja stiprinājuma amplitūda	1,5-13 mm	1,5-13 mm	1,5-13 mm
Urbja vārpsta	1/2"x20	1/2"x20	1/2"x20
Kakla diametrs	43 mm	43 mm	43 mm
Svars atbilstoši EPTA -Procedure 01/2014	1,95 kg	1,95 kg	1,95 kg

Trokšņu informācija

Vērtības, kas noteiktas saskaņā ar EN 60 745.

A novērtētās aparatūras skaņas līmenis ir:

Kā urbis/skrūvgriezis:

Trokšņa spiediena līmenis (Nedrošība K=3dB(A))	81,5 dB (A)	81,5 dB (A)	81,5 dB (A)
Trokšņa jaudas līmenis (Nedrošība K=3dB(A))	92,5 dB (A)	92,5 dB (A)	92,5 dB (A)

Kā āmurburis:

Trokšņa spiediena līmenis (Nedrošība K=3dB(A))	-	89 dB (A)	89 dB (A)
Trokšņa jaudas līmenis (Nedrošība K=3dB(A))	-	100 dB (A)	100 dB (A)

Nēsāt trokšņa slāpētāju!

Vibrāciju informācija

Svārstību kopējā vērtība (Trīs virzienu vektoru summīek noteikta atbilstoši EN 60745).

Metāla urbis

svārstību emisijas vērtība a _{h,DS}	3,4 m/s ²	3,4 m/s ²	3,4 m/s ²
Nedrošība K=	1,5 m/s ²	1,5 m/s ²	1,5 m/s ²

Betona elektriskais urbis

svārstību emisijas vērtība a _{h,ID}	-	20,2 m/s ²	20,2 m/s ²
Nedrošība K=	-	1,5 m/s ²	1,5 m/s ²

Skrūvēšana

svārstību emisijas vērtība a _v	2,5 m/s ²	2,5 m/s ²	2,5 m/s ²
Nedrošība K=	1,5 m/s ²	1,5 m/s ²	1,5 m/s ²

UZMANĪBU

Instrukcijā norādītā svārstību robežvērtība ir izmērīta mērījumu procesā, kas veikts atbilstoši standartam EN 60745, un to var izmantot elektroinstrumentu savstarpējai salīdzināšanai. Tā ir piemērota arī svārstību noslogojuma pagaidu izvērtēšanai.

Norādītā svārstību robežvērtība ir reprezentatīva elektroinstrumenta pamata pielietojuma jomām. Tomēr, ja elektroinstrumenti tiek pielietoti citās jomās, papildus izmantojot neatbilstošus elektroinstrumentus vai pēc nepietiekamas tehniskās apkopes, tad svārstību robežvērtība var atšķirties. Tas var ievērojami palielināt svārstību noslogojumu visa darba laikā.

Precīzai svārstību noslogojuma noteikšanai, ir jāņem vērā arī laiks, kad ierīces ir izslēgtas vai arī ir ieslēgtas, tomēr faktiski netiek lietotas. Tas var ievērojami samazināt svārstību noslogojumu visa darba laikā.

Integrējiet papildus drošības pasākumus pret svārstību ietekmi lietotājam, piemēram: elektroinstrumentu un darba instrumentu tehniskā apkope, roku siltuma uzturēšana, darba procesu organizācija.

▲ BRĪDINĀJUMS! Izlasiet visus drošības brīdinājumus un instrukcijas. Šeit sniegto drošības noteikumu un norādījumu neievērošana var izraisīt aizdegšanos un būt par cēloni elektriskajam triecienam vai nopietnam savainojumam. **Pēc izlasīšanas uzglabājiet šos noteikumus turpmākai izmantošanai.**

▲ DROŠĪBAS NORĀDĪJUMI DARBĀ AR PERKUSIJAS URBT

Lietojiet dzirdes aizsargu, izmantojot āmururbi. Trokšņa iedarbība var izraisīt dzirdes zudumu.

Lietojiet instrumentam pievienotos papildus rokturus. Zaudējot kontroli, var gūt ievainojumus.

Leļci turiet aiz izolētiem rokturiem, ja veicat darbus, kuros griešanas darbiem izmantojamais instruments var skart paslēptus elektrovadus vai pats savu kabeli. Šī instrumenta saskare ar strāvu vadošiem kabeliem var radīt spriegumu arī ierīces metāliskajās daļās un var izraisīt elektrisko triecienu.

▲ DROŠĪBAS NORĀDĪJUMI DARBĀ AR ELEKTRISKO SKRŪVGRIEZI

Veicot darbus ar iekārtu, kurai ar instrumentiem iespējams netīšām pieskarties elektroapgādes līnijai vai tās kabelim, turēt to aiz izolētās satveršanas virsmas. Skrūves kontakts ar spriegumu vadošu vadu var ierīces metāla daļās uzlādēt un novest pie elektriskās strāvas trieciena.

CITAS DROŠĪBAS UN DARBA INSTRUKCIJAS

Jāizmanto aizsargapriekojums. Strādājot ar mašīnu, vienmēr jānēsā aizsargbrilles. Ieteicams nēsāt aizsargapģērbu, kā piemēram, aizsargmasku, aizsargcimdus, kurpes no stingra un neslīdīga materiāla, ķiveri un ausu aizsargus.

Putekļi, kas rodas darba gaitā, bieži ir kaitīgi veselībai un tiem nevajadzētu nokļūt organismā. Jānēsā piemērota maska, kas pasargā no putekļiem.

Nedrīkst apstrādāt materiālus, kas rada draudus veselībai (piemēram, azbestu).

Ja izmantojamais darba rīks tiek bloķēts, nekavējoties izslēgt ierīci! Neieslēdziet ierīci, kamēr izmantojamais darba rīks ir bloķēts; var rasties atsitiens ar augstu griezes momentu. Noskaidrojiet un novērsiet izmantojamā darba rīka bloķēšanas iemeslu, ievērojot visas drošības norādes.

Iespējamie iemesli:

- iesprūdis apstrādājamajā materiālā
- apstrādājamais materiāls ir caursists
- elektroinstrumenti ir pārslogoti

I+AA2eslēgtai ierīcei nepieskarties.

Izmantojamais darba rīks darba gaitā var stipri sakarst.

UZMANĪBU! Bīstamība apdedzināties

- veicot darba rīka nomaīņu
- noliekot iekārtu

Skaidas un atlūzas nedrīkst ņemt ārā, kamēr mašīna darbojas.

Pievienojuma kabeli vienmēr turēt atstātus no mašīnas darbības lauka. Kabelim vienmēr jāatrodas aiz mašīnas.

Veicot darbus sienā, griestu un grīdas apvidū, vajag uzmanīties, lai nesabojātu elektriskos, gāzes un ūdens vadus.

Fiksējiet apstrādājamo materiālu ar fiksācijas aprīkojumu. Nenostiprināti materiāli var izraisīt smagus savainojumus un bojājumus.

Pirms jebkādiem darbiem, kas attiecas uz mašīnas apkopi, mašīnu noteikti vajag atvienot no kontaktligzdas.

Pie liela urbšanas diametra papildus rokturi vajag piestiprināt perpendikulāri galvenajam rokturim. Skat. arī attēlus nodaļā "Pārgriez rokturi".

NOTEIKUMIEM ATBILSTOŠS IZMANTOJUMS

Elektroniskā triecienuurbmašīna / skrūvgriezis ir universāli izmantojams urbšanai, urbšanai ar perforāciju, skrūvēšanai un vītnes griešanai.

Šo instrumentu drīkst izmantot tikai saskaņā ar minētajiem lietošanas noteikumiem.

ATBILSTĪBA CE NORMĀM

Mēs apliecinām, ka produkts, kura tehniskie parametri aprakstīti „tehnisko datu lapā”, pilnībā atbilst prasībām saskaņā ar direktīvām 2011/65/EU (RoHS), 2014/30/ES, 2006/42/EK un attiecīgajiem harmonizētajiem normatīvajiem dokumentiem:

EN 55014-1:2017
EN 60745-1:2009+A11:2010
EN 60745-2-1:2010
EN 60745-2-2:2010
EN 61000-3-3:2013
EN 61000-3-2:2014
EN 55014-2:2015
EN 50581:2012

Winnenden, 2018-02-26

Alexander Krug
Managing Director



Pilnvarotais tehniskās dokumentācijas sastādītājs.

Techtronic Industries GmbH
Max-Eyth-Straße 10
71364 Winnenden
Germany

TĪKLA PIESLĒGUMS

Kontaktligzdām, kas atrodas ārpus telpām jābūt aprīkotām ar automātiskiem drošinātājslēdzīem, kas nostrādā, ja strāvas plūsmā radušies (FI, RCD, PRCD) bojājumi. To pieprasā jūsu elektroiekārtas instalācijas noteikumi. Lūdzu, to ņemt vērā, izmantojot mūsu instrumentus.

Pieslēgt tikai vienspola mainstrāvas tīklam un tikai spriegumam, kas norādīts uz jaudas paneļa. Pieslēgums iespējams arī kontaktligzdām bez aizsargkontaktiem, jo runda ir par uzbūvi, kas atbilst II. aizsargklasei.

Instrumentu pieslēgt kontaktligzdai tikai izslēgtā stāvoklī.

APKOPE

Vajag vienmēr uzmanīti, lai būtu tīras dzesēšanas atveres.

Ja bieži tiek izmantota perforācijas darbība, tad urbjā stiprinājums ir regulāri jāattīra no putekļiem. Šim nolūkam mašīna jātur ar stiprinājumu uz leju un stiprinājums maksimāli jāatskrūvē un jāaizskrūvē. Tādējādi putekļi, kas sakrājušies tajā, var iznākt ārā.

Leteicams regulāri izmantot tīrītāju (n.p.k. 4932 6217 19), lai iztīrītu

Ja ir bojāts tīkla pieslēguma vads, tad tā apmaiņa jānodrošina klientu apkalpošanas servisam, kuram ir nepieciešamie speciālie darba rīki.

Izmantojiet tikai firmu AEG piederumus un firmas rezerves daļas. Lieciet nomainīt detaļas, kuru nomaīņa nav aprakstīta, kādā no firmu AEG klientu apkalpošanas servisiem. (Skat. brošūru "Garantija/klientu apkalpošanas serviss".)

Ja nepieciešams, klientu apkalpošanas servisā vai tieši pie firmas Techtronic Industries GmbH, Max-Eyth-Straße 10, 71364 Winnenden, Germany, var pieprasīt instrumenta numurs, kas norādīts uz jaudas paneļa.

UZMANĪBU! BĪSTAMI!

Pirms jebkādiem darbiem, kas attiecas uz mašīnas apkopi, mašīnu noteikti vajag atvienot no kontaktligzdas.

Pirms sākt lietot instrumentu, lūdzu, izlasiet lietošanas pamācību.

Piederumi - standartaprīkojumā neietvertās, bet ieteicamās papildus komplektācijas detaļas no piederumu programmas.

Elektroiekārtas nedrīkst izmest kopā ar sadzīves atkritumiem.

Elektriskās un elektroniskās iekārtas ir jāsavāc atsevišķi un jānodrošina pārstrādes uzņēmumam, kas no tām atbrīvosies dabai draudzīgā veidā.

Meklējiet otrreizējās pārstrādes poligonus un savākšanas punktus vietējās pārvaldes iestādēs vai pie preces pārdevēja.

II aizsardzības klases elektroinstrumenti. Elektroinstrumenti, kuram aizsardzība pret elektrisko triecienu ir atkarīga ne tikai no pamata izolācijas, bet arī no tā, ka tiek piemēroti papildu aizsardzības pasākumi, piemēram, dubultā izolācija vai pastiprināta izolācija. Aizsarga pieslēgšanai instrumenti nav paredzēti.

CE marķējums

SIMBOLI



UZMANĪBU! BĪSTAMI!



Pirms jebkādiem darbiem, kas attiecas uz mašīnas apkopi, mašīnu noteikti vajag atvienot no kontaktligzdas.



Pirms sākt lietot instrumentu, lūdzu, izlasiet lietošanas pamācību.



Piederumi - standartaprīkojumā neietvertās, bet ieteicamās papildus komplektācijas detaļas no piederumu programmas.



Elektroiekārtas nedrīkst izmest kopā ar sadzīves atkritumiem. Elektriskās un elektroniskās iekārtas ir jāsavāc atsevišķi un jānodrošina pārstrādes uzņēmumam, kas no tām atbrīvosies dabai draudzīgā veidā. Meklējiet otrreizējās pārstrādes poligonus un savākšanas punktus vietējās pārvaldes iestādēs vai pie preces pārdevēja.



II aizsardzības klases elektroinstrumenti. Elektroinstrumenti, kuram aizsardzība pret elektrisko triecienu ir atkarīga ne tikai no pamata izolācijas, bet arī no tā, ka tiek piemēroti papildu aizsardzības pasākumi, piemēram, dubultā izolācija vai pastiprināta izolācija. Aizsarga pieslēgšanai instrumenti nav paredzēti.



CE marķējums



Regulatory Compliance Mark (RCM). Produkts atbilst spēkā esošajiem noteikumiem.



Ukrainas nacionālais atbilstības simbols



Eurasian atbilstības marķējums.

TECHNINIAI DUOMENYS	BE 750 R	SBE 705 RE	SBE 705 RZ
Produkto numeris	4491 61 04...	4428 31 04...	4494 91 04...
Vardinė imamoji galia	750 W	705 W	705 W
Išėjimo galia	375 W	350 W	350 W
Sūkių skaičius laisva eiga	0-3000 min ⁻¹	0-2800 min ⁻¹	0-2800 min ⁻¹
Sūkių skaičius su apkrova maks.	1450 min ⁻¹	1600 min ⁻¹	1600 min ⁻¹
Maks. smūgių skaičius su apkrova	- min ⁻¹	25600 min ⁻¹	25600 min ⁻¹
Statinis blokavimo momentas *	27 Nm	25 Nm	25 Nm
Gręžimo Ø betone	15 mm	15 mm	15 mm
Gręžimo Ø galvutė degtose ir silikatinėse plytose	-	20 mm	20 mm
Gręžimo Ø pliene	13 mm	13 mm	13 mm
Gręžimo Ø minkštoje medienoje	30 mm	30 mm	30 mm
Grąžto patrono veržimo diapazonas	1,5-13 mm	1,5-13 mm	1,5-13 mm
Grąžto suklys	1/2"x20	1/2"x20	1/2"x20
Iveržimo ašies Ø	43 mm	43 mm	43 mm
Prietaiso svoris įvertintas pagal EPTA 2014/01 tyrimų metodiką	1,95 kg	1,95 kg	1,95 kg
* Matuojant pagal „AEG“ normą N 877318			

Informacija apie keliamą triukšmą

Vertės matuotos pagal EN 60 745.

Įvertintas A įrenginio keliamo triukšmo lygis dažniausiai sudaro:

Grąžtas / suktuvas			
Garso slėgio lygis (Paklaida K=3dB(A))	81,5 dB (A)	81,5 dB (A)	81,5 dB (A)
Garso galios lygis (Paklaida K=3dB(A))	92,5 dB (A)	92,5 dB (A)	92,5 dB (A)
Smūginis grąžtas			
Garso slėgio lygis (Paklaida K=3dB(A))	-	89 dB (A)	89 dB (A)
Garso galios lygis (Paklaida K=3dB(A))	-	100 dB (A)	100 dB (A)

Nešioti klausos apsauginės priemonės!

Informacija apie vibraciją

Bendroji svyravimų reikšmė (trių krypčių vektorių suma), nustatyta remiantis EN 60745.

Metalo gręžimas			
Vibravimų emisijos reikšmė a _{n,DS}	3,4 m/s ²	3,4 m/s ²	3,4 m/s ²
Paklaida K=	1,5 m/s ²	1,5 m/s ²	1,5 m/s ²
Betono perforavimas			
Vibravimų emisijos reikšmė a _{n,ID}	20,2 m/s ²	20,2 m/s ²	20,2 m/s ²
Paklaida K=	1,5 m/s ²	1,5 m/s ²	1,5 m/s ²
Prisukimas varžtais			
Vibravimų emisijos reikšmė a _n	2,5 m/s ²	2,5 m/s ²	2,5 m/s ²
Paklaida K=	1,5 m/s ²	1,5 m/s ²	1,5 m/s ²

TECHNINIAI DUOMENYS

	SBE 750 RZ	SBE 750 RE	SBE 750 RES
Produkto numeris	4428 41 04...	4428 51 04...	4497 83 04...
Vardinė imamoji galia	750 W	750 W	750 W
Išėjimo galia	375 W	375 W	375 W
Sūkių skaičius laisva eiga	0-3000 min ⁻¹	0-3000 min ⁻¹	0-3000 min ⁻¹
Sūkių skaičius su apkrova maks.	1450 min ⁻¹	1450 min ⁻¹	1450 min ⁻¹
Maks. smūgių skaičius su apkrova	23200 min ⁻¹	23200 min ⁻¹	23200 min ⁻¹
Statinis blokavimo momentas *	27 Nm	27 Nm	27 Nm
Gręžimo Ø betone	16 mm	16 mm	16 mm
Gręžimo Ø galvutė degtose ir silikatinėse plytose	20 mm	20 mm	20 mm
Gręžimo Ø pliene	13 mm	13 mm	13 mm
Gręžimo Ø minkštoje medienoje	30 mm	30 mm	30 mm
Grąžto patrono veržimo diapazonas	1,5-13 mm	1,5-13 mm	1,5-13 mm
Grąžto suklys	1/2"x20	1/2"x20	1/2"x20
Iveržimo ašies Ø	43 mm	43 mm	43 mm
Prietaiso svoris įvertintas pagal EPTA 2014/01 tyrimų metodiką	1,95 kg	1,95 kg	1,95 kg
* Matuojant pagal „AEG“ normą N 877318			

Informacija apie keliamą triukšmą

Vertės matuotos pagal EN 60 745.

Įvertintas A įrenginio keliamo triukšmo lygis dažniausiai sudaro:

Grąžtas / suktuvas			
Garso slėgio lygis (Paklaida K=3dB(A))	81,5 dB (A)	81,5 dB (A)	81,5 dB (A)
Garso galios lygis (Paklaida K=3dB(A))	92,5 dB (A)	92,5 dB (A)	92,5 dB (A)
Smūginis grąžtas			
Garso slėgio lygis (Paklaida K=3dB(A))	89 dB (A)	89 dB (A)	89 dB (A)
Garso galios lygis (Paklaida K=3dB(A))	100 dB (A)	100 dB (A)	100 dB (A)

Nešioti klausos apsauginės priemonės!

Informacija apie vibraciją

Bendroji svyravimų reikšmė (trių krypčių vektorių suma), nustatyta remiantis EN 60745.

Metalo gręžimas			
Vibravimų emisijos reikšmė a _{n,DS}	3,4 m/s ²	3,4 m/s ²	3,4 m/s ²
Paklaida K=	1,5 m/s ²	1,5 m/s ²	1,5 m/s ²
Betono perforavimas			
Vibravimų emisijos reikšmė a _{n,ID}	20,2 m/s ²	20,2 m/s ²	20,2 m/s ²
Paklaida K=	1,5 m/s ²	1,5 m/s ²	1,5 m/s ²
Prisukimas varžtais			
Vibravimų emisijos reikšmė a _n	2,5 m/s ²	2,5 m/s ²	2,5 m/s ²
Paklaida K=	1,5 m/s ²	1,5 m/s ²	1,5 m/s ²

DĖMESIO

Instrukcijoje nurodyta svyravimų ribinė vertė yra išmatuota remiantis standartu EN 60745; ji gali būti naudojama keliems elektriniams instrumentams palyginti. Ji taikoma ir laikinai įvertinti svyravimų apkrova.

Nurodyta svyravimų ribinė vertė yra taikoma pagrindinėse elektrinio instrumento naudojimo srityse. Svyravimų ribinė vertė gali skirtis naudojant elektrinį instrumentą kitose srityse, papildomai naudojant netinkamus elektrinius instrumentus arba juos nepakankamai techniškai prižiūrint. Dėl to viso darbo metu gali žymiai padidėti svyravimų apkrova.

Siekiant tiksliai nustatyti svyravimų apkrovą, būtina atsižvelgti ir į laikotarpį, kai įrenginys yra išjungtas arba įjungtas, tačiau faktiškai nenaudojamas. Dėl to viso darbo metu gali žymiai sumažėti svyravimų apkrova.

Siekiant apsaugoti vartotojus nuo svyravimo įtakos naudojamos papildomos saugos priemonės, pavyzdžiui, elektrinių darbo instrumentų techninė priežiūra, rankų šilumos palaikymas, darbo procesų organizavimas.

⚠ ĮSPĖJIMAS! Perskaitykite visus saugos nurodymus ir instrukcijas. Jei nepaisysite žemiau pateiktų saugos nuorodų ir reikalavimų, gali trenkti elektros smūgis, kilti gaisras ir/arba galite sunkiai susižaloti arba sužaloti kitus asmenis.

Išsaugokite šias saugos nuorodas ir reikalavimus, kad ir ateityje galėtumėte jais pasinaudoti.

⚠ MUŠAMŲJŲ GRAŽTU SAUGUMO NURODYMAI

Dirbdami su smūginiu grąžtu, visuomet naudokite apsauginės ausų priemones. Dėl didelio triukšmo poveikio gali būti pažeidžiama klausos.

Naudokite į prietaiso komplektaciją įeinančias papildomas rankenas. Nesuvaldžius prietaiso galima susižeisti.

Dirbdami laikykite prietaisą už izoliuotų vietų, kuriose pjovimo įrenginys pats galėtų liesti paslėptus laidus arba savo paties laidą. Pjovimo įrenginio kontaktas su įtampos laidais gali įelektrinti metalines prietaiso dalis, o tai gali sukelti elektros iškvapą.

⚠ SUKTUVO SAUGUMO NURODYMAI

Atlikdami darbus, kurių metu galite pažeisti paslėptas elektros linijas arba prietaiso kabelį, prietaisą laikykite už izoliuotų rankenėlių. Sraigtui prisilietus prie įtampos tiekiančių linijų gali įsikrauti prietaiso dalys ir įvykti elektros smūgis.

KITI SAUGUMO IR DARBO NURODYMAI

Dėvėkite apsauginės priemonės. Dirbdami su mašina visada užsidėkite apsauginius akinius. Rekomenduotina dėvėti apsauginės priemonės: apsaugos nuo dulkių respiratorius, apsaugines pirštines, kietus batus neslidžiais padais, šalma ir klausos apsaugos priemonės.

Darbo metu susidarancios dulksės yra dažnai kenksmingos sveikatai ir todėl turėtų nepatekti į organizmą. Dėvėti tinkamą apsauginę kaukę nuo dulkių.

Negalima apdirbti medžiagų, dėl kurių galimi sveikatos pažeidimai (pvz., asbesto).

Blokuojant įstatomąjį įrankį būtina išjungti prietaisą! Neįjunkite prietaiso, kol įstatomasis įrankis yra užblokuotas; galimas grįžtamasis smūgis su dideliu sukimo momentu. Atsižvelgdami į saugumo nurodymus, nustatykite ir pašalinkite įstatomojo įrankio blokavimo priežastį.

Galimos priežastys:

- Susidariusios apdirbamo ruošinio briaunos
- Apdirbamos medžiagos pratrūkimas
- Elektros įrankio perkrova

Nekiškite rankų į veikiančią mašiną.

Naudojamas įstatomasis įrankis gali įkaisti.

DĖMESIO! Pavojaus nusidėginti

- keičiant įrankį
- padedant prietaisą

Draudžiama išiminėti drožles ar nuopjovas, įrenginiui veikiant.

Maitinimo kabelis turi nebūti įrenginio poveikio srityje. Kabelį visada nuveskite iš galinės įrenginio pusės.

Dirbdami sienoje, lubose arba grindyse, atkreipkite dėmesį į elektros laidus, dujų ir vandens vamzdžius.

Ruošiniai užfiksuokite įtempimo įrenginiu. Neužfiksuoti ruošiniai gali sunkiai sužaloti ir būti pažeidimų priežastimi.

Prieš atlikdami bet kokius įrenginyje, ištraukite iš lizdo kištuką.

Atliekant didesnio skersmens gręžimus, papildomą rankeną reikia pritvirtinti statmenai pagrindinei rankenai. Žr. ir iliustracijų dalyje esantį skyrelį: „Rankenos persukimas“.

NAUDOJIMAS PAGAL PASKIRTĮ

Smūginį gręžtuvą/suktuvą su elektroniniu valdymu galima universaliai naudoti gręžimui, smūginiam gręžimui, sukimui ir sriegių pjovimui.

Šį prietaisą leidžiama naudoti tik pagal nurodytą paskirtį.

CE ATITIKTIES PAREIŠKIMAS

Remiantis bendrais atsakomybės reikalavimais pareiškiami, jog skyriuje „Techniniai duomenys“ aprašytas produktas atitinka visus toliau pateiktų juridinių direktyvų reikalavimus: 2011/65/EU (RoHS), 2014/30/ES, 2006/42/EB ir kitus su jomis susijusius norminius dokumentus:

EN 55014-1:2017
EN 60745-1:2009+A11:2010
EN 60745-2-1:2010
EN 60745-2-2:2010
EN 61000-3-3:2013
EN 61000-3-2:2014
EN 55014-2:2015
EN 50581:2012

Winnenden, 2018-02-26



Alexander Krug
Managing Director



Įgaliotas parengti techninius dokumentus.

Technion-Industries GmbH
Max-Eyth-Strasse 10
71364 Winnenden
Germany

ELEKTROS TINKLO JUNGTIS

Lauke esantys el. lizdai turi būti su gedimo srovės išjungikliais. Tai nurodyta Jūsų elektros įrenginio instaliacijos taisyklėse (FI, RCD, PRCD). Atsižvelkite į tai, naudodami prietaisą.

Jungti tik prie vienfazės kintamos elektros srovės ir tik į specifikacijų lentelėje nurodytos įtampos elektros tinklą. Konstrukcijos saugos klasė II, todėl galima jungti ir į lizdus be apsauginio kontakto.

Į elektros tinklą junkite tik išjungtą prietaisą.

TECHNINIS APTARNAVIMAS

Įrenginio vėdinimo angos visada turi būti švarios.

Dažnai naudojant smūginio gręžimo režimą, reikia reguliariai nuo grąžto patrono pašalinti dulkes. Tam laikykite įrenginį grąžto patronu tiesiai žemyn ir jį visiškai atidarykite ir uždarykite. Taip iš grąžto patrono iškrenta visos dulksės.

Rekomenduojame retkarčiais nupurkšti spaustuvo kumštelius ir spaustuvo kumštelių kiurymės valymo aerozoliu (eil. nr. 4932 6217 19).

Jeigu pažeistas elektros laidas, pakeiskite jį remonto dirbtuvėje, nes tam reikia specialaus prietaiso.

Naudokite tik AEG priedus ir atsargines dalis. Dalis, kurių keitimas neaprašytas, leidžiama keisti tik AEG klientų aptarnavimo skyriams (žr. garantiją/klientų aptarnavimo skyrių adresus brošiūroje).

Jei reikia, nurodant įrenginio tipą bei specifikacijų lentelėje esantį numerį, iš klientų aptarnavimo skyriaus arba tiesiai iš Techronic Industries GmbH, Max-Eyth-Straße 10, 71364 Winnenden, Germany, galima užsisakyti prietaiso surinkimo brėžinius.

SIMBOLIAI



DĖMESIO! ĮSPĖJIMAS! PAVOJUS!



Prieš atlikdami bet kokius įrenginyje, ištraukite iš lizdo kištuką.



Prieš pradėdami dirbti su prietaisu, atidžiai perskaitykite jo naudojimo instrukciją.



Priedas – neįeina į tiekimo komplektaciją, rekomenduojamas papildymas iš priedų asortimento.



Elektros prietaisų negalima išmesti kartu su buitinėmis atliekomis. Būtina rūšiuoti elektros ir elektroninius prietaisus ir atiduoti į atliekų perdirbimo centrą, kad jie būtų utilizuoti neteršiant aplinkos. Informacijos apie perdirbimo centrus ir atliekų surinkimo įstaigas teiraukitės vietos įstaigoje arba prekybininko.



Į apsaugos klasės elektrinis įrankis. Šio elektrinio įrankio apsauga nuo elektros smūgio priklauso ne tik nuo pagrindinės izoliacijos, bet ir nuo to, kaip naudojamoms papildomos apsauginės priemonės, tokios kaip dviguba arba pagerinta izoliacija. Nėra jokio prietaiso apsauginio laido pajungimui.



CE ženklas



Regulatorius „Compliance Mark“ (RCM). Produktas atitinka galiojančias taisykles.



Nacionalinė atitikties žyma Ukrainoje



„EurAsian“ atitikties ženklas.

TEHNILISED ANDMED

	BE 750 R	SBE 705 RE	SBE 705 RZ
Tootmisnumber.....	4491 61 04.....	4428 31 04.....	4494 91 04.....
Nimtarbimine.....	000001-999999.....	000001-999999.....	000001-999999.....
Vāljundvōimsus.....	750 W.....	705 W.....	705 W.....
Pōōrlemiskiirus tūhjoosul.....	375 W.....	350 W.....	350 W.....
Maks pōōrlemiskiirus koormusega.....	0-3000 min ⁻¹	0-2800 min ⁻¹	0-2800 min ⁻¹
Lōōkide arv koormusega maks.....	1450 min ⁻¹	1600 min ⁻¹	1600 min ⁻¹
Staatiline blokeerumismoment *.....	- min ⁻¹	25600 min ⁻¹	25600 min ⁻¹
Puuri ō betoonis.....	27 Nm.....	25 Nm.....	25 Nm.....
Puuri ō tellistes ja silikaatkiivides.....	15 mm.....	15 mm.....	15 mm.....
Puuri ō tellistes ja silikaatkiivides.....	20 mm.....	20 mm.....	20 mm.....
Puuri ō pehmes puidus.....	13 mm.....	13 mm.....	13 mm.....
Puuri ō pehmes puidus.....	30 mm.....	30 mm.....	30 mm.....
Puuri ō pehmes puidus.....	1,5-13 mm.....	1,5-13 mm.....	1,5-13 mm.....
Puuri ō pehmes puidus.....	1,5-13 mm.....	1,5-13 mm.....	1,5-13 mm.....
Puuri ō pehmes puidus.....	1/2"x20.....	1/2"x20.....	1/2"x20.....
Kinnituskaela ō.....	43 mm.....	43 mm.....	43 mm.....
Kaal vastavalt EPTA-protseduurile 01/2014.....	1,95 kg.....	1,95 kg.....	1,95 kg.....

* Mōōdetud vastavalt AEG normile N 877318

Mūra andmed

Mōōtevēārtused on kindlaks tehtud vastavalt normile EN 60 745.

Seadme tūūpiline hinnanguline (A) mūrātase:

Trelli/kruvitsana:

Helirōhutase (Māāramatus K=3dB(A)).....	81,5 dB (A).....	81,5 dB (A).....	81,5 dB (A).....
Helivōimsuse tase (Māāramatus K=3dB(A)).....	92,5 dB (A).....	92,5 dB (A).....	92,5 dB (A).....

Lōōktrellina:

Helirōhutase (Māāramatus K=3dB(A)).....	-.....	89 dB (A).....	89 dB (A).....
Helivōimsuse tase (Māāramatus K=3dB(A)).....	-.....	100 dB (A).....	100 dB (A).....

Kandke kaitseks kōrvaklappe!

Vibratsiooni andmed

Vibratsiooni koguvārtus (kolme suuna vektorsummōōdetud EN 60745 jārgi.

Metalli puurimine

Vibratsiooni emissiooni vārtus a _{h,DS}	3,4 m/s ²	3,4 m/s ²	3,4 m/s ²
Māāramatus K=.....	1,5 m/s ²	1,5 m/s ²	1,5 m/s ²

Betooni lōōkpuurimine

Vibratsiooni emissiooni vārtus a _{h,ID}	-.....	20,2 m/s ²	20,2 m/s ²
Māāramatus K=.....	-.....	1,5 m/s ²	1,5 m/s ²

Kruvimine

Vibratsiooni emissiooni vārtus a _h	2,5 m/s ²	2,5 m/s ²	2,5 m/s ²
Māāramatus K=.....	1,5 m/s ²	1,5 m/s ²	1,5 m/s ²

TEHNILISED ANDMED

	SBE 750 RZ	SBE 750 RE	SBE 750 RES
Tootmisnumber.....	4428 41 04.....	4428 51 04.....	4497 83 04.....
Nimtarbimine.....	000001-999999.....	000001-999999.....	000001-999999.....
Vāljundvōimsus.....	750 W.....	750 W.....	750 W.....
Pōōrlemiskiirus tūhjoosul.....	375 W.....	375 W.....	375 W.....
Maks pōōrlemiskiirus koormusega.....	0-3000 min ⁻¹	0-3000 min ⁻¹	0-3000 min ⁻¹
Lōōkide arv koormusega maks.....	1450 min ⁻¹	1450 min ⁻¹	1450 min ⁻¹
Staatiline blokeerumismoment *.....	23200 min ⁻¹	23200 min ⁻¹	23200 min ⁻¹
Puuri ō betoonis.....	27 Nm.....	27 Nm.....	27 Nm.....
Puuri ō tellistes ja silikaatkiivides.....	16 mm.....	16 mm.....	16 mm.....
Puuri ō tellistes ja silikaatkiivides.....	20 mm.....	20 mm.....	20 mm.....
Puuri ō pehmes puidus.....	13 mm.....	13 mm.....	13 mm.....
Puuri ō pehmes puidus.....	30 mm.....	30 mm.....	30 mm.....
Puuri ō pehmes puidus.....	1,5-13 mm.....	1,5-13 mm.....	1,5-13 mm.....
Puuri ō pehmes puidus.....	1/2"x20.....	1/2"x20.....	1/2"x20.....
Kaal vastavalt EPTA-protseduurile 01/2014.....	43 mm.....	43 mm.....	43 mm.....
* Mōōdetud vastavalt AEG normile N 877318.....	1,95 kg.....	1,95 kg.....	1,95 kg.....

Mūra andmed

Mōōtevēārtused on kindlaks tehtud vastavalt normile EN 60 745.

Seadme tūūpiline hinnanguline (A) mūrātase:

Trelli/kruvitsana:

Helirōhutase (Māāramatus K=3dB(A)).....	81,5 dB (A).....	81,5 dB (A).....	81,5 dB (A).....
Helivōimsuse tase (Māāramatus K=3dB(A)).....	92,5 dB (A).....	92,5 dB (A).....	92,5 dB (A).....

Lōōktrellina:

Helirōhutase (Māāramatus K=3dB(A)).....	89 dB (A).....	89 dB (A).....	89 dB (A).....
Helivōimsuse tase (Māāramatus K=3dB(A)).....	100 dB (A).....	100 dB (A).....	100 dB (A).....

Kandke kaitseks kōrvaklappe!

Vibratsiooni andmed

Vibratsiooni koguvārtus (kolme suuna vektorsummōōdetud EN 60745 jārgi.

Metalli puurimine

Vibratsiooni emissiooni vārtus a _{h,DS}	3,4 m/s ²	3,4 m/s ²	3,4 m/s ²
Māāramatus K=.....	1,5 m/s ²	1,5 m/s ²	1,5 m/s ²

Betooni lōōkpuurimine

Vibratsiooni emissiooni vārtus a _{h,ID}	20,2 m/s ²	20,2 m/s ²	20,2 m/s ²
Māāramatus K=.....	1,5 m/s ²	1,5 m/s ²	1,5 m/s ²

Kruvimine

Vibratsiooni emissiooni vārtus a _h	2,5 m/s ²	2,5 m/s ²	2,5 m/s ²
Māāramatus K=.....	1,5 m/s ²	1,5 m/s ²	1,5 m/s ²

TÄHELEPANU

Antud juhendis toodud võnketase on mõõdetud EN 60745 standardile vastava mõõtesüsteemiga ning seda võib kasutada erinevate elektriseadmete omavahelises võrdlemises. Antud näitaja sobib ka esmaseks võnkekoormuse hindamiseks.

Antud võnketase kehtib elektriseadme kasutamisel sihtotstarbelisel. Kui elektriseadet kasutatakse muudel otstarvetel, muude tööriistadega või seda ei hooldata piisavalt võib võnketase siintoodust erineda. Eeltoodu võib võnketaset märkimisväärselt tõsta terves töökeskkonnas.

Võnketaseme täpselt hindamiseks tuleks arvestada ka aega, mil seade on välja lülitatud või on küll sisse lülitatud, kuid ei ole otseselt kasutuses. See võib märgatavalt vähendada kogu töökeskkonna võnketaset.

Rakendage spetsiaalseid ettevaatusabinõusid töötajate suhtes, kes puutuvad töö käigus palju kokku vibratsiooniga. Nendeks abinõudeks võivad olla, näiteks: elektri- ja tööseadmete korralline hooldus, käte soojendamine, töövooparem organiseerimine.

⚠ HOIATUS! Lugege kõiki ohutusjuhiseid ja korraldusi. Ohutusnõuete ja juhiste eiramise tagajärjeks võib olla elektrilöök, tulekahju ja/või rasked vigastused.
Hoidke kõik ohutusnõuded ja juhised edasiseks kasutamiseks hoolikalt alles.

⚠ LÖÖKPILLID DRILL E OHUTUSJUHISED

Kandke löökpuurimisel kuulmekaitset. Müra toime võib põhjustada kuulmiskadu.

Kasutage seadmega koos tarnitud lisakäepidemeid. Kontrolli kaotamine võib põhjustada vigastusi.

Tööde puhul, kus löikeseade võib minna vastu peidetud elektrijuhtmeid või seadme enda toitejuhet, hoidke kinni seadme isoleeritud käepidemetest. Kokkupuude pingestatud juhtmega võib pingestada ka löikeseadme metallist osad ning põhjustada elektrilöögi.

⚠ KRUVITSATE OHUTUSJUHISED

Hoidke seadet töödel, mille puhul võib kasutada tööriist peidetud elektrijuhtmeid või enda kaablit puudutada, isoleeritud hoidepidemadest. Krui kontakt pinget juhtiva juhtmega võib panna metallist seadme osad pingele alla ja põhjustada elektrilöögi.

EDASISED OHUTUS- JA TÖÖJUHISED

Kasutada kaitsevarustust. Masinaga töötamisel kanda alati kaitseprille. Kaitseriietusena soovitatatakse kasutada tolmumaski kaitsekindaid, kinniseid ja libisemisvastase tallaga jalanõusid, kiivrit ja kuulmisteede kaitset.

Töö ajal tekkiv tolm on sageli tervistkahjustav ning ei tohiks sattuda organismi. Kanda sobivat kaitsemaski.

Töödelda ei tohi materjale, millest lähtub oht tervisele (nt asbest).

Palun lülitage seade rakendustööriista blokeerumise korral kohe välja! Ärge lülitage seadet sisse tagasi, kuni rakendustööriist on blokeeritud; seejuures võib kõrge reaktsioonimomendiga tagasilöökk tekkida. Tehke ohutusjuhiseid arvesse võttes kindlaks ja kõrvaldage rakendustööriista blokeerumise põhjus.

Selle võimalikeks põhjusteks võivad olla:

- viltu asetumine töödeldavas toorikus
- töödeldava materjali läbimurdamine
- elektritööriista ülekoormamine

Ärge sisestage jäsemeid töötavasse masinasse.

Rakendustööriist võib kasutamise ajal kuumaks minna.

TÄHELEPANU! Põletusohu

- tööriista vahetamisel
- seadme ärapanemisel

Puru ega pilpald ei tohi eemaldada masina töötamise ajal.

Hoidke ühendusjuhte alati masina tööpiirkonnast eemal. Vedage juhe alati masinast tahapoole.

Seina, lae või põranda tööde puhul pidage silmas elektrijuhtmeid, gaasi- ja veetorusid.

Kinnitage toorik kinnipingutusseadisega. Kinnitamata toorikud võivad raskeid vigastusi ja kahjustusi põhjustada.

Enne kõiki töid masina kallal tõmmake pistik pistikupesast välja.

Suurte puurimislabimõõtude puhul tuleb lisakäepide kinnitada peakäepideme külge täisnurga all. Vaata ka piltide osast lõiku „Käepideme keeramine“.

KASUTAMINE VASTAVALT OTSTARBELE

Elektroonilist lööktrelli / kruvikeerajat saab universaalselt rakendada puurimiseks, löökpuurimiseks, kruvide keeramiseks ja keermete lõikamiseks.

Antud seadet tohib kasutada ainult vastavalt äranäidatud otstarbele.

EÜ VASTAVUSAVALDUS

Me deklareerime ainuisikuliselt vastutades, et lõigus „Tehnilised andmed“ kirjeldatud toode vastab direktiivide 2011/65/EU (RoHS), 2014/30/EU, 2006/42/EÜ kõigile olulisele tähtsusega eeskirjadele ning järgmistele harmoneeritud normatiivsetele dokumentidele:

EN 55014-1:2017
EN 60745-1:2009+A11:2010
EN 60745-2-1:2010
EN 60745-2-2:2010
EN 61000-3-3:2013
EN 61000-3-2:2014
EN 55014-2:2015
EN 50581:2012

Winnenden, 2018-02-26

Alexander Krug
Managing Director



On volitatud koostama tehnilist dokumentatsiooni.

Techtronic Industries GmbH
Max-Eyth-Straße 10
71364 Winnenden
Germany

VÖRKU ÜHENDAMINE

Välitingimustes asuvad pistikupesad peavad olema varustatud rikkevoolukaitselülititega (FI, RCD, PRCD). Seda nõutakse Teie elektriseadme installeerimiseeskirjas. Palun pidage sellest meie seadme kasutamisel kinni.

Ühendage ainult ühefaasilise vahelduvvooluga ning ainult andmesildil toodud võrgupingega. Ühendada on võimalik ka kaitsekontaktita pistikupesadesse, kuna nende konstruktsioon vastab kaitseklassile II.

Ühendage seade pistikupesasse ainult välja lülitatult.

HOOLDUS

Hoidke masina õhususpilud alati puhtad.

Löökpuuri sagedase käitamise puhul tuleks puuripadrunit regulaarselt tolmu eemaldada. Selleks hoidke masinat püstloodis alla suunatud puuripadrunita ning avage ja sulgege puuripadrunit kogu pingutusvahemiku ulatuses. Kogunenud tolm langeb nii puuripadrunitist välja.

Soovitatav on kinnitusnukkide ja kinnitusnukkide puurete puhul kasutada regulaarselt pihustatavat puhastusvedelikku (jrk nr 4932 6217 19).

Kui võrguühenduskaabel on kahjustatud, tuleb see spetsiaalsete tööriistade kasutamise tõttu lasta välja vahetada klienditeeninduses, Text hier anhängen.

Kasutage ainult AEG tarvikuid ja tagavaraosi. Detailid, mille väljavahetamist pole kirjeldatud, laske välja vahetada AEG klienditeeninduspunktis (vaadake brošüüri garantii / klienditeeninduste aadressid).

Vajaduse korral võite tellida seadme läbilõikejoonise, näidates ära masina tüübi ja andmesildil oleva numbriga. Selleks pöörduge klienditeeninduspunkti või otse: Techtronic Industries GmbH, Max-Eyth-Straße 10, 71364 Winnenden, Germany.

SÜMBOLID



ETTEVAATUST! TÄHELEPANU! OHUD!



Enne kõiki töid masina kallal tõmmake pistik pistikupesast välja.



Palun lugege enne käikulaskmist kasutusjuhend hoolikalt läbi.



Tarvikud - ei kuulu tarne komplekti, soovitatav täiendus on saadaval tarvikute programmis.



Elektriseadmeid ei tohi utiliseerida koos majapidamisprügiga. Elektrilised ja elektroonilised seadmed tuleb eraldi kokku koguda ning keskkonnasõbralikuks utiliseerimiseks vastavas käitlusettevõttes ära anda. Küsige kohalikest pädevatest ametitest või edasimüüjalt käitlusjaamade ja kogumispunktide kohta järele.



Kaitseklassi II elektritööriist. Elektritööriist, mille puhul ei sõltu kaitse mitte üksnes baasisolatsioonist, vaid ka täiendavate kaitsemeetmete nagu topeltisolatsiooni või tugevdatud isolatsiooni kohaldamisest. Mehhanism kaitsejuhi ühendamiseks puudub.



CE-märk



Regulatory Compliance Mark (RCM). Toode vastab kehtivatele eeskirjadele.



Ukraina riiklik vastavusmärk



Euraasia vastavusmärk.

ТЕХНИЧЕСКИЕ ДАННЫЕ	BE 750 R	SBE 705 RE	SBE 705 RZ
Серийный номер изделия	4491 61 04...	4428 31 04...	4494 91 04...
Номинальная выходная мощность	750 W	705 W	705 W
Номинальная мощность	375 W	350 W	350 W
Число оборотов без нагрузки	0-3000 min ⁻¹	0-2800 min ⁻¹	0-2800 min ⁻¹
Макс. скорость под нагрузкой	1450 min ⁻¹	1600 min ⁻¹	1600 min ⁻¹
Количество ударов при максимальной нагрузке (макс.)	- min ⁻¹	25600 min ⁻¹	25600 min ⁻¹
Статический блокирующий момент *	27 Nm	25 Nm	25 Nm
Производительность сверления в бетоне	15 mm	15 mm	15 mm
Производительность сверления в кирпич и кафель	- mm	20 mm	20 mm
Производительность сверления в стали	13 mm	13 mm	13 mm
Производительность сверления в мягкое дерево	30 mm	30 mm	30 mm
Диапазон раскрытия патрона	1,5-13 mm	1,5-13 mm	1,5-13 mm
Хвостовик привода	1/2"x20	1/2"x20	1/2"x20
Диаметр горловины патрона	43 mm	43 mm	43 mm
Вес согласно процедуре EPTA 01/2014	1,95 kg	1,95 kg	1,95 kg
* Измерения согласно нормативам AEG № 877318			

Информация по шумам

Значения замерялись в соответствии со стандартом EN 60 745. Уровень шума прибора, определенный по показателю A, обычно составляет:

Как дрель/шурупверт:			
Уровень звукового давления (Небезопасность K=3dB(A))	81,5 dB (A)	81,5 dB (A)	81,5 dB (A)
Уровень звуковой мощности (Небезопасность K=3dB(A))	92,5 dB (A)	92,5 dB (A)	92,5 dB (A)
Как ударная дрель:			
Уровень звукового давления (Небезопасность K=3dB(A))	-	89 dB (A)	89 dB (A)
Уровень звуковой мощности (Небезопасность K=3dB(A))	-	100 dB (A)	100 dB (A)

Пользуйтесь приспособлениями для защиты слуха.

Информация по вибрации

Общие значения вибрации (векторная сумма трех направлений) определены в соответствии с EN 60745.

Сверление в металле			
Значение вибрационной эмиссии a _{hds}	3,4 m/s ²	3,4 m/s ²	3,4 m/s ²
Небезопасность K=	1,5 m/s ²	1,5 m/s ²	1,5 m/s ²
Ударное сверление в бетоне			
Значение вибрационной эмиссии a _{hd}	-	20,2 m/s ²	20,2 m/s ²
Небезопасность K=	-	1,5 m/s ²	1,5 m/s ²
Завинчивание			
Значение вибрационной эмиссии a _h	2,5 m/s ²	2,5 m/s ²	2,5 m/s ²
Небезопасность K=	1,5 m/s ²	1,5 m/s ²	1,5 m/s ²

ТЕХНИЧЕСКИЕ ДАННЫЕ	SBE 750 RZ	SBE 750 RE	SBE 750 RES
Серийный номер изделия	4428 41 04...	45 5701 03...	4428 51 04...
Номинальная выходная мощность	750 W	750 W	750 W
Номинальная мощность	375 W	375 W	375 W
Число оборотов без нагрузки	0-3000 min ⁻¹	0-3000 min ⁻¹	0-3000 min ⁻¹
Макс. скорость под нагрузкой	1450 min ⁻¹	1450 min ⁻¹	1450 min ⁻¹
Количество ударов при максимальной нагрузке (макс.)	23200 min ⁻¹	23200 min ⁻¹	23200 min ⁻¹
Статический блокирующий момент *	27 Nm	27 Nm	27 Nm
Производительность сверления в бетоне	16 mm	16 mm	16 mm
Производительность сверления в кирпич и кафель	20 mm	20 mm	20 mm
Производительность сверления в стали	13 mm	13 mm	13 mm
Производительность сверления в мягкое дерево	30 mm	30 mm	30 mm
Диапазон раскрытия патрона	1,5-13 mm	1,5-13 mm	1,5-13 mm
Хвостовик привода	1/2"x20	1/2"x20	1/2"x20
Диаметр горловины патрона	43 mm	43 mm	43 mm
Вес согласно процедуре EPTA 01/2014	1,95 kg	1,95 kg	1,95 kg
* Измерения согласно нормативам AEG № 877318			

Информация по шумам

Значения замерялись в соответствии со стандартом EN 60 745. Уровень шума прибора, определенный по показателю A, обычно составляет:

Как дрель/шурупверт:			
Уровень звукового давления (Небезопасность K=3dB(A))	81,5 dB (A)	81,5 dB (A)	81,5 dB (A)
Уровень звуковой мощности (Небезопасность K=3dB(A))	92,5 dB (A)	92,5 dB (A)	92,5 dB (A)
Как ударная дрель:			
Уровень звукового давления (Небезопасность K=3dB(A))	89 dB (A)	89 dB (A)	89 dB (A)
Уровень звуковой мощности (Небезопасность K=3dB(A))	100 dB (A)	100 dB (A)	100 dB (A)

Пользуйтесь приспособлениями для защиты слуха.

Информация по вибрации

Общие значения вибрации (векторная сумма трех направлений) определены в соответствии с EN 60745.

Сверление в металле			
Значение вибрационной эмиссии a _{hds}	3,4 m/s ²	3,4 m/s ²	3,4 m/s ²
Небезопасность K=	1,5 m/s ²	1,5 m/s ²	1,5 m/s ²
Ударное сверление в бетоне			
Значение вибрационной эмиссии a _{hd}	20,2 m/s ²	20,2 m/s ²	20,2 m/s ²
Небезопасность K=	1,5 m/s ²	1,5 m/s ²	1,5 m/s ²
Завинчивание			
Значение вибрационной эмиссии a _h	2,5 m/s ²	2,5 m/s ²	2,5 m/s ²
Небезопасность K=	1,5 m/s ²	1,5 m/s ²	1,5 m/s ²

ВНИМАНИЕ

Указанный в настоящем руководстве уровень вибрации измерен в соответствии с технологией измерения, установленной стандартом EN 60745 и может использоваться для сравнения электроинструментов друг с другом. Он также подходит для предварительной оценки вибрационной нагрузки.

Указанный уровень вибрации представляет основные виды использования электроинструмента. Но если электроинструмент используется для других целей, используемый инструмент отклоняется от указанного или техническое обслуживание было недостаточным, то уровень вибрации может отклоняться от указанного. В этом случае вибрационная нагрузка в течение всего периода работы значительно увеличивается.

Для точной оценки вибрационной нагрузки необходимо также учитывать время, в течение которого прибор отключен или включен, но фактически не используется. В этом случае вибрационная нагрузка в течение всего периода работы может существенно уменьшиться.

Установите дополнительные меры безопасности для защиты пользователя от воздействия вибрации, например: техническое обслуживание электроинструмента и используемого инструмента, поддержание рук в теплом состоянии, организация рабочих процессов.

▲ ПРЕДУПРЕЖДЕНИЕ! Прочтите все указания по безопасности и инструкции. Упущения, допущенные при соблюдении указаний и инструкций по технике безопасности, могут стать причиной электрического поражения, пожара и тяжелых травм. **Сохраняйте эти инструкции и указания для будущего использования.**

▲ УКАЗАНИЯ ПО ТЕХНИКЕ БЕЗОПАСНОСТИ ПРИ РАБОТЕ С УДАРНОЙ ДРЕЛЬ

При ударном сверлении надевайте защитные наушники. Воздействие шума может привести к потере слуха.

Используйте вспомогательные рукоятки, поставляемые вместе с инструментом. Потеря контроля может стать причиной травмы.

Если Вы выполняете работы, при которых режущий инструмент может зацепить скрытую электропроводку или собственный кабель, инструмент следует держать за специально предназначенные для этого изолированные поверхности. Контакт режущего инструмента с токоведущим проводом может вызвать под напряжение металлические части прибора, а также приводить к удару электрическим током.

▲ УКАЗАНИЯ ПО ТЕХНИКЕ БЕЗОПАСНОСТИ ПРИ РАБОТЕ С ШУРУПОВЕРТАМИ

Держите прибор за изолированные поверхности, если вы выполняете работы, при которых используемый инструмент может войти в скрытую электропроводку или свой собственный кабель. Контакт болта с токоведущим проводом может вызвать под напряжение металлические части прибора, а также приводить к удару электрическим током.

ДОПОЛНИТЕЛЬНЫЕ УКАЗАНИЯ ПО БЕЗОПАСНОСТИ И РАБОТЕ

Пользоваться средствами защиты. Работать с инструментом всегда в защитных очках. Рекомендуется спецодежда: пылезащитная маска, защитные перчатки, прочная и нескользящая обувь, каска и наушники.

Пыль, возникающая при работе данным инструментом, может нанести вред здоровью. Не следует допускать её попадания в организм. Надевайте противопылевую респиратор.

Запрещается обрабатывать материалы, которые могут нанести вред здоровью (напр., асбест).

При блокировании используемого инструмента немедленно выключить прибор! Не включайте прибор до тех пор, пока используемый инструмент заблокирован, в противном случае может возникнуть отдача с высоким реактивным моментом. Определите и устраните причину блокирования используемого инструмента с учетом указаний по безопасности.

Возможными причинами могут быть:

- перекос заготовки, подлежащей обработке
- разрушение материала, подлежащего обработке
- перегрузка электроинструмента

Не прикасайтесь к работающему станку.

Используемый инструмент может нагреваться во время применения.

ВНИМАНИЕ! Опасность получения ожога

- при смене инструмента
- при укладывании прибора

Не убирайте опилки и обломки при включенном инструменте.

Держите силовой провод вне рабочей зоны инструмента. Всегда прокладывайте кабель за спиной.

При работе в стенах, потолках или полу следите за тем, чтобы не повредить электрические кабели или водопроводные трубы.

Зафиксируйте вашу заготовку с помощью зажимного приспособления. Незафиксированные заготовки могут привести к тяжелым травмам и повреждениям.

Перед выполнением каких-либо работ по обслуживанию инструмента всегда вынимайте вилку из розетки.

При работе с большими диаметрами, дополнительная рукоятка должна быть зафиксирована под прямым углом к основной (см. иллюстрацию).

ИСПОЛЬЗОВАНИЕ

Электронная дрель/шурупверт может одинаково использоваться для сверления, ударного сверления, закручивания шурупов и нарезания резьбы.

Не пользуйтесь данным инструментом способом, отличным от указанного для нормального применения.

ДЕКЛАРАЦИЯ О СООТВЕТСТВИИ СТАНДАРТАМ ЕС

Мы заявляем под собственную ответственность, что изделие, описанное в разделе „Технические характеристики“, соответствует всем важным предписаниям Директивы 2011/65/EU (Директива об ограничении применения опасных веществ в электрических и электронных приборах), 2014/30/EU, 2006/42/ЕС и приведенным далее гармонизированным нормативным документам:

EN 55014-1:2017
EN 60745-1:2009+A11:2010
EN 60745-2-1:2010
EN 60745-2-2:2010
EN 61000-3-3:2013
EN 61000-3-2:2014
EN 55014-2:2015
EN 50581:2012

Winnenden, 2018-02-26

Alexander Krug
Managing Director



Уполномочен на составление технической документации.

Techtronic Industries GmbH
Max-Eyth-Straße 10
71364 Winnenden
Germany

ПОДКЛЮЧЕНИЕ К ЭЛЕКТРОСЕТИ

Электроприборы, используемые во многих различных местах, в том числе на открытом воздухе, должны подключаться через устройство, предотвращающее резкое повышение напряжения (FI, RCD, PRCD).

Подсоединять только к однофазной сети переменного тока с напряжением, соответствующим указанному на инструменте. Электроинструмент имеет второй класс защиты, что позволяет подключать его к розеткам электропитания без заземляющего вывода.

Перед включением вилки в розетку убедитесь, что машина выключена.

ОБСЛУЖИВАНИЕ

Всегда держите охлаждающие отверстия чистыми.

Если инструмент используется в основном для ударного сверления регулярно удаляйте скопившуюся в патроне пыль. Для удаления пыли, держите инструмент вертикально патроном вниз и полностью откройте и закройте патрон. Скопившаяся пыль должна выпастись из патрона.

Рекомендуется периодически использовать чистящее средство (номер 4932 6217 19) для зажимных приспособлений и держателей буров.

При повреждении сетевого соединительного кабеля его замену производит служба технической поддержки клиентов, так как для этого требуется специальный инструмент.

Пользуйтесь аксессуарами и запасными частями только фирмы AEG. В случае возникновения необходимости в замене, которая не была описана, пожалуйста, обращайтесь на один из сервисных центров (см. список наших гарантийных/сервисных организаций).

При необходимости может быть заказан чертеж инструмента с трехмерным изображением деталей. Пожалуйста, укажите номер и тип инструмента и закажите чертеж у Ваших местных агентов или непосредственно у Techtronic Industries GmbH, Max-Eyth-Straße 10, 71364 Winnenden, Germany.

СИМВОЛЫ



ВНИМАНИЕ! ПРЕДУПРЕЖДЕНИЕ! ОПАСНОСТЬ!



Перед выполнением каких-либо работ по обслуживанию инструмента всегда вынимайте вилку из розетки.



Пожалуйста, внимательно прочтите инструкцию по использованию перед началом любых операций с инструментом.



Принадлежности - в стандартную комплектацию не входит, поставляется в качестве дополнительной принадлежности.



Электрические устройства нельзя утилизировать вместе с бытовым мусором. Электрические и электронные устройства следует собирать отдельно и сдавать в специализированную утилизирующую компанию для утилизации в соответствии с нормами охраны окружающей среды. Сведения о центрах вторичной переработки и пунктах сбора можно получить в местных органах власти или у вашего специализированного дилера.



Электроинструмент с классом защиты II. Электроинструмент, в котором защита от электрического удара зависит не только от основной изоляции, но и от того, что принимаются дополнительные защитные меры, такие как двойная изоляция или усиленная изоляция. Нет устройства для подключения защитного провода.



Знак CE



Regulatory Compliance Mark (RCM). Продукт соответствует требованиям действующих предписаний.



Национальный украинский знак соответствия



Сертификат Соответствия
No. TC RU C-DE.ГП186.В.00159
Срок действия Сертификата Соответствия по 20.04.2020
ООО «Ручные электрические машины. Сертификация»
141400, РФ, Московская область, г. Химки, Ул. Ленинградская, 29

Транспортировка:

Категорически не допускается падение и любые механические воздействия на упаковку при транспортировке.

При разгрузке/погрузке не допускается использование любого вида техники, работающей по принципу зажима упаковки.

Хранение:

Необходимо хранить в сухом месте. Необходимо хранить вдали от источников повышенных температур и воздействия солнечных лучей. При хранении необходимо избегать резкого перепада температур.

Хранение без упаковки не допускается.

Срок службы изделия:

Срок службы изделия составляет 5 лет. Не рекомендуется к эксплуатации по истечении 5 лет хранения с даты изготовления без предварительной проверки.

Дата изготовления (код даты) отштампован на поверхности корпуса изделия.

Пример:

A2015, где 2015 - год изготовления

A - месяц изготовления

Определить месяц изготовления можно согласно приведенной ниже таблице

A - Январь	G - Июль
B - Февраль	H - Август
C - Март	J - Сентябрь
D - Апрель	K - Октябрь
E - Май	L - Ноябрь
F - Июнь	M - Декабрь

Тектроник Индастриз ГмбХ
Германия, 71364, Винненден,
ул. Макс-Ай-Штрассе, 10
Сделано в Чехии

ТЕХНИЧЕСКИ ДАННИ

	BE 750 R	SBE 705 RE	SBE 705 RZ
Производственный номер	4491 61 04...	4428 31 04...	4494 91 04...
Номинална консумирана мощност	750 W	705 W	705 W
Отдавана мощност	375 W	350 W	350 W
Обороты на празен ход	0-3000 min ⁻¹	0-2800 min ⁻¹	0-2800 min ⁻¹
Макс. обороти при натоварване	1450 min ⁻¹	1600 min ⁻¹	1600 min ⁻¹
Макс. брой на ударите при натоварване	- min ⁻¹	25600 min ⁻¹	25600 min ⁻¹
Статичен блокиращ момент *	27 Nm	25 Nm	25 Nm
Диаметър на свредлото за бетон	-	15 mm	15 mm
Диаметър на свредлото за обикновени и силикатни тухли	-	20 mm	20 mm
Диаметър на свредлото за стомана	13 mm	13 mm	13 mm
Диаметър на свредлото за меко дърво	30 mm	30 mm	30 mm
Затегателен участък на патронника	1,5-13 mm	1,5-13 mm	1,5-13 mm
Шпиндел на бормашината	1/2"x20	1/2"x20	1/2"x20
Диаметър на отвора на патронника	43 mm	43 mm	43 mm
Тегло съгласно процедурата EPTA 01/2014	1,95 kg	1,95 kg	1,95 kg
* Измерено по стандарт N 877318 на AEG			

Информация за шума

Измерените стойности са получени съобразно EN 60 745.

Оцененото с A ниво на шума на уреда е съответно:

Като свредло/завинтащо устройство	Равнище на звуковото налягане (Несигурност K=3dB(A))	81,5 dB (A)	81,5 dB (A)	81,5 dB (A)
Равнище на мощността на звука (Несигурност K=3dB(A))	92,5 dB (A)	92,5 dB (A)	92,5 dB (A)	92,5 dB (A)
Като свредло за ударно пробиване				
Равнище на звуковото налягане (Несигурност K=3dB(A))	-	89 dB (A)	89 dB (A)	89 dB (A)
Равнище на мощността на звука (Несигурност K=3dB(A))	-	100 dB (A)	100 dB (A)	100 dB (A)

Да се носи предпазно средство за слуха!

Информация за вибрациите

Общите стойности на вибрациите (векторна сума на три посоки) са определени в съответствие с EN 60745.

Пробиване на метал

Стойност на емисии на вибрациите a _{h,DS}	3,4 m/s ²	3,4 m/s ²	3,4 m/s ²
Несигурност K=	1,5 m/s ²	1,5 m/s ²	1,5 m/s ²
Ударно пробиване в бетон			
Стойност на емисии на вибрациите a _{h,1D}	-	20,2 m/s ²	20,2 m/s ²
Несигурност K=	-	1,5 m/s ²	1,5 m/s ²
Завинтване			
Стойност на емисии на вибрациите a _h	2,5 m/s ²	2,5 m/s ²	2,5 m/s ²
Несигурност K=	1,5 m/s ²	1,5 m/s ²	1,5 m/s ²

ТЕХНИЧЕСКИ ДАННИ

	SBE 750 RZ	SBE 750 RE	SBE 750 RES
Производственный номер	4428 41 04...	4428 51 04...	4494 96 04...
Номинална консумирана мощност	750 W	750 W	750 W
Отдавана мощност	375 W	375 W	375 W
Обороты на празен ход	0-3000 min ⁻¹	0-3000 min ⁻¹	0-3000 min ⁻¹
Макс. обороти при натоварване	1450 min ⁻¹	1450 min ⁻¹	1450 min ⁻¹
Макс. брой на ударите при натоварване	23200 min ⁻¹	23200 min ⁻¹	23200 min ⁻¹
Статичен блокиращ момент *	27 Nm	27 Nm	27 Nm
Диаметър на свредлото за бетон	16 mm	16 mm	16 mm
Диаметър на свредлото за обикновени и силикатни тухли	20 mm	20 mm	20 mm
Диаметър на свредлото за стомана	13 mm	13 mm	13 mm
Диаметър на свредлото за меко дърво	30 mm	30 mm	30 mm
Затегателен участък на патронника	1,5-13 mm	1,5-13 mm	1,5-13 mm
Шпиндел на бормашината	1/2"x20	1/2"x20	1/2"x20
Диаметър на отвора на патронника	43 mm	43 mm	43 mm
Тегло съгласно процедурата EPTA 01/2014	1,95 kg	1,95 kg	1,95 kg
* Измерено по стандарт N 877318 на AEG			

Информация за шума

Измерените стойности са получени съобразно EN 60 745.

Оцененото с A ниво на шума на уреда е съответно:

Като свредло/завинтащо устройство	Равнище на звуковото налягане (Несигурност K=3dB(A))	81,5 dB (A)	81,5 dB (A)	81,5 dB (A)
Равнище на мощността на звука (Несигурност K=3dB(A))	92,5 dB (A)	92,5 dB (A)	92,5 dB (A)	92,5 dB (A)
Като свредло за ударно пробиване				
Равнище на звуковото налягане (Несигурност K=3dB(A))	-	89 dB (A)	89 dB (A)	89 dB (A)
Равнище на мощността на звука (Несигурност K=3dB(A))	-	100 dB (A)	100 dB (A)	100 dB (A)

Да се носи предпазно средство за слуха!

Информация за вибрациите

Общите стойности на вибрациите (векторна сума на три посоки) са определени в съответствие с EN 60745.

Пробиване на метал

Стойност на емисии на вибрациите a _{h,DS}	3,4 m/s ²	3,4 m/s ²	3,4 m/s ²
Несигурност K=	1,5 m/s ²	1,5 m/s ²	1,5 m/s ²
Ударно пробиване в бетон			
Стойност на емисии на вибрациите a _{h,1D}	-	20,2 m/s ²	20,2 m/s ²
Несигурност K=	-	1,5 m/s ²	1,5 m/s ²
Завинтване			
Стойност на емисии на вибрациите a _h	2,5 m/s ²	2,5 m/s ²	2,5 m/s ²
Несигурност K=	1,5 m/s ²	1,5 m/s ²	1,5 m/s ²

ВНИМАНИЕ

Посоченото в тези инструкции ниво на вибрации е измерено в съответствие със стандартизиран в EN 60745 измервателен метод и може да се използва за сравнение на електрически инструменти помежду им. Подходящ е и за временна оценка на вибрационното натоварване.

Посоченото ниво на вибрациите представя основните приложения на електрическия инструмент. Ако обаче електрическият инструмент се използва с друго предназначение, с различни сменяеми инструменти или при недостатъчна техническа поддръжка, нивото на вибрациите може да е различно. Това чувствително може да увеличи вибрационното натоварване по време на целия работен цикъл.

За точната оценка на вибрационното натоварване трябва да се вземат предвид и периодите от време, в които уредът е изключен или работи, но в действителност не се използва. Това чувствително може да намали вибрационното натоварване по време на целия работен цикъл.

Определете допълнителни мерки по техника на безопасност в защита на обслужващия работник от въздействието на вибрациите като например: техническа поддръжка на електрическия инструмент и сменяемите инструменти, поддържане на ръцете топли, организация на работния цикъл.

▲ ПРЕДУПРЕЖДЕНИЕ! Прочетете всички указания и напътствия за безопасност.

Пропуски при спазването на указанията и напътствията за безопасност могат да доведат до токов удар, пожар и/или тежки наранявания.

Съхранявайте указанията и напътствията за безопасност за справка при нужда.

▲ УКАЗАНИЯ ЗА БЕЗОПАСНОСТ ЗА УДАРНИ ТРЕНИРОВКА

Носете предпазни тапи за ушите при ударното пробиване. Шумът може да доведе до загуба на слуха.

Използвайте доставените с уреда допълнителни ръкохватки. Загубата на контрол може да доведе до наранявания.

Дръжте електроинструмента за изолираните ръкохватки, когато извършвате работи, при които работният инструмент може да засегне скрити електроинсталационни кабели или собствения си кабел. Контактът му с тоководещ проводник може да предаде напрежението върху металните му части и да доведе до токов удар.

▲ УКАЗАНИЯ ЗА БЕЗОПАСНОСТ ЗА ЕЛЕКТРИЧЕСКИ ОТВЕРТКИ

Хващайте уреда за изолираните дръжки, когато изпълнявате работи, при които използваният инструмент може да докосне скрити електрически кабели или кабела за уреда. Контактът на болта с токопроводим проводник може да постави метални части на уреда под напрежение и може да Ви хване ток.

ДОПЪЛНИТЕЛНИ УКАЗАНИЯ ЗА РАБОТА И БЕЗОПАСНОСТ

Да се използват предпазни средства. При работа с машината винаги носете предпазни очила. Препоръчат се защитно облекло и прахозащитна маска, защитни ръкавици, здрави и нехлъзгащи се обувки, каска и предпазни средства за слуха.

Прахът, който се образува при работа, често е вреден за здравето и не бива да попада в тялото. Да се носи подходяща прахозащитна маска.

Не е разрешена обработката на материали, които представляват опасност за здравето (напр. азбест).

Ако използваният инструмент блокира, изключете веднага уреда! Не включвайте уреда отново, докато използваният инструмент е блокиран; това би могло да доведе до откат с висока реактивна сила. Открийте и отстранете причината за блокирането на използвания инструмент имайки в предвид инструкциите за безопасност.

Възможните причини за това могат да бъдат:

- Заклинване в обработваната част
- Пробиване на материала
- Пренатоварване на електрическия инструмент

Не бъркайте в машината, докато тя работи.

Използваният инструмент може да загрее по време на употреба.

ВНИМАНИЕ! Опасност от изгаряния

- при смяна на инструмента
- при оставяне на уреда

Стружки или отчупени парчета да не се отстраняват, докато машина работи.

Свързващият кабел винаги да се държи извън работния обсег на машината. Кабелът да се отвежда от машината винаги назад.

При работа в стени, тавани или подове внимавайте за кабели, газопроводи и водопроводи.

Закрепете обработваната част с устройство за захващане. Незакрепени части за обработка могат да причинят сериозни наранявания и материални щети.

Преди каквито и да е работи по машината извадете щепсела от контакта.

При големи диаметри на пробивания отвор допълнителната ръкохватка трябва да се закрепят перпендикулярно на основната ръкохватка. Виж също в частта със снимки, точка "Завъртане на ръкохватката".

ИЗПОЛЗВАНЕ ПО ПРЕДНАЗНАЧЕНИЕ

Ударната бормашина/отвертка с електронно управление може да се използва универсално за пробиване, ударно пробиване, завинтване и нарязване на резба.

Този уред може да се използва по предназначение само както е посочено.

СЕ - ДЕКЛАРАЦИЯ ЗА СЪОТВЕТСТВИЕ

Заявяваме под собствена отговорност, че описаният в „Технически данни“ продукт съответства на всички важни разпоредби на директива 2011/65/EU (RoHS), 2014/30/EU, 2006/42/EO, както и на всички следващи нормативни документи във тази връзка.

EN 55014-1:2017
EN 60745-1:2009+A11:2010
EN 60745-2-1:2010
EN 60745-2-2:2010
EN 61000-3-3:2013
EN 61000-3-2:2014
EN 55014-2:2015
EN 50581:2012

Winnenden, 2018-02-26



Alexander Krug
Managing Director



Упълномощен за съставяне на техническата документация

Techtronic Industries GmbH
Max-Eyth-Straße 10
71364 Winnenden
Germany

ЗАЩИТА НА ДВИГАТЕЛЯ В ЗАВИСИМОСТ ОТ НАТОВАРВАНЕТО

Контактите във външните участъци трябва да бъдат оборудвани със защитни прекъсвачи за утечен ток (FI, RCD, PRCD). Това изисква предписанието за инсталиране за електрическата инсталация. Моля спазвайте това при използване на Вашия уред.

Да се свързва само към еднофазен променлив ток и само към мрежово напрежение, посочено върху заводската табелка. Възможно е и свързване към контакт, който не е от тип "шуко", понеже конструкцията е от защитен клас II.

Свързвайте уреда към контакта само в изключено състояние.

ПОДДРЪЖКА

Вентилационните шлицы на машината да се поддържат винаги чисти.

Когато машината често се използва за ударно пробиване, патронникът следва често да се почиства от прах. За целта дръжте машината с патронника вертикално надолу, отваряйте патронника напълно и после го затваряйте. Така насъбраният се прах пада от патронника.

Препоръчва се редовно използване на спрей за почистване (Ид. № 4932 6217 19) на затегателните челюсти и на техните отвори.

Ако кабелът на захранването е повреден, то занесете го за смяна в сервиз, тъй като за това са необходими специални инструменти.

Да се използват само аксесоари на AEG и резервни части на. Елементи, чиято подмяна не е описана, да се дадат за подмяна в сервиз на AEG (вижте брошурата "Гаранция и адреси на сервизи").

При необходимост можете да поискате за уреда от Вашия сервиз или директно от Techtronic Industries GmbH, Max-Eyth-Straße 10, 71364 Winnenden, Germany, чертеж за в случай на експлозия, като посочите типа на машината и номер върху заводската табелка.

СИМВОЛИ



ВНИМАНИЕ! ПРЕДУПРЕЖДЕНИЕ!
ОПАСНОСТ



Преди каквито и да е работи по машината извадете щепсела от контакта.



Преди пускане на уреда в действие моля прочетете внимателно инструкцията за използване.



Аксесоари - Не се съдържат в обема на доставката, препоръчвано допълнение от програмата за аксесоари.



Електрическите уреди не трябва да се изхвърлят заедно с битовите отпадъци. Електрическото и електронното оборудване трябва да се събират отделно и да се предават на службите за рециклиране на отпадъците според изискванията за опазване на околната среда. Информирайте се при местните служби или при местните специализирани търговци относно местата за събиране и центровете за рециклиране на отпадъци.



Електроинструмент от защитен клас II. Електроинструмент, при който защитата от електрически удар зависи не само от основната изолация, а и от обстоятелството, че се използват допълнителни защитни мерки като двойна изолация или усилена изолация. Няма приспособление за присъединяване на защитен проводник.



CE-знак



Regulatory Compliance Mark (RCM). Продуктът отговаря на приложимите нормативни изисквания.



Национален знак за съответствие - Украйна



EurAsian знак за съответствие.

DATE TEHNICE	BE 750 R	SBE 705 RE	SBE 705 RZ
Număr producție	4491 61 04...	4428 31 04...	4494 91 04...
Putere nominală de ieșire	750 W	705 W	705 W
Putere de ieșire	375 W	350 W	350 W
Viteza de mers în gol	0-3000 min ⁻¹	0-2800 min ⁻¹	0-2800 min ⁻¹
Viteza sub sarcina max.	1450 min ⁻¹	1600 min ⁻¹	1600 min ⁻¹
Rata de percuție sub sarcina max.	- min ⁻¹	25600 min ⁻¹	25600 min ⁻¹
Moment static de comprimare (apăsare)	27 Nm	25 Nm	25 Nm
Capacitate de perforare în beton	15 mm	15 mm	15 mm
Capacitate de perforare în cărămidă și țiglă	20 mm	20 mm	20 mm
Capacitate de găurire în oțel	13 mm	13 mm	13 mm
Capacitate de găurire în lemn de esență moale	30 mm	30 mm	30 mm
Interval de deschidere burghiu	1,5-13 mm	1,5-13 mm	1,5-13 mm
Capăt de acționare	1/2"x20	1/2"x20	1/2"x20
Diametru gât mandrină	43 mm	43 mm	43 mm
Greutatea conform „EPTA procedure 01/2014”	1,95 kg	1,95 kg	1,95 kg
* Masurată conform normei AEG N 877318			

Informație privind zgomotul

Valori măsurate determinate conform EN 60 745.
Nivelul de zgomot evaluat cu A al aparatului este tipic de:

Ca mașină de găurit/de înșurubat:			
Nivelul presiunii sonore (Nesiguranță K=3dB(A))	81,5 dB (A)	81,5 dB (A)	81,5 dB (A)
Nivelul sunetului (Nesiguranță K=3dB(A))	92,5 dB (A)	92,5 dB (A)	92,5 dB (A)
Ca mașină de găurit cu percuție:			
Nivelul presiunii sonore (Nesiguranță K=3dB(A))	-	89 dB (A)	89 dB (A)
Nivelul sunetului (Nesiguranță K=3dB(A))	-	100 dB (A)	100 dB (A)

Purtați căști de protecție

Informații privind vibrațiile

Valorile totale de oscilație (suma vectorială pe trei direcții determinate conform normei EN 60745).

Găurit în metal			
Valoarea emisie de oscilații a _{h,DS}	3,4 m/s ²	3,4 m/s ²	3,4 m/s ²
Nesiguranță K=	1,5 m/s ²	1,5 m/s ²	1,5 m/s ²
Găurit cu percuție în beton			
Valoarea emisie de oscilații a _{h,UD}	-	20,2 m/s ²	20,2 m/s ²
Nesiguranță K=	-	1,5 m/s ²	1,5 m/s ²
Înșurubare			
Valoarea emisie de oscilații a _v	2,5 m/s ²	2,5 m/s ²	2,5 m/s ²
Nesiguranță K=	1,5 m/s ²	1,5 m/s ²	1,5 m/s ²

DATE TEHNICE	SBE 750 RZ	SBE 750 RE	SBE 750 RES
Număr producție	4428 41 04...	45 5701 03...	4497 83 04...
Putere nominală de ieșire	750 W	750 W	750 W
Putere de ieșire	375 W	375 W	375 W
Viteza de mers în gol	0-3000 min ⁻¹	0-3000 min ⁻¹	0-3000 min ⁻¹
Viteza sub sarcina max.	1450 min ⁻¹	1450 min ⁻¹	1450 min ⁻¹
Rata de percuție sub sarcina max.	23200 min ⁻¹	23200 min ⁻¹	23200 min ⁻¹
Moment static de comprimare (apăsare)	27 Nm	27 Nm	27 Nm
Capacitate de perforare în beton	16 mm	16 mm	16 mm
Capacitate de perforare în cărămidă și țiglă	20 mm	20 mm	20 mm
Capacitate de găurire în oțel	13 mm	13 mm	13 mm
Capacitate de găurire în lemn de esență moale	30 mm	30 mm	30 mm
Interval de deschidere burghiu	1,5-13 mm	1,5-13 mm	1,5-13 mm
Capăt de acționare	1/2"x20	1/2"x20	1/2"x20
Diametru gât mandrină	43 mm	43 mm	43 mm
Greutatea conform „EPTA procedure 01/2014”	1,95 kg	1,95 kg	1,95 kg
* Masurată conform normei AEG N 877318			

Informație privind zgomotul

Valori măsurate determinate conform EN 60 745.
Nivelul de zgomot evaluat cu A al aparatului este tipic de:

Ca mașină de găurit/de înșurubat:			
Nivelul presiunii sonore (Nesiguranță K=3dB(A))	81,5 dB (A)	81,5 dB (A)	81,5 dB (A)
Nivelul sunetului (Nesiguranță K=3dB(A))	92,5 dB (A)	92,5 dB (A)	92,5 dB (A)
Ca mașină de găurit cu percuție:			
Nivelul presiunii sonore (Nesiguranță K=3dB(A))	89 dB (A)	89 dB (A)	89 dB (A)
Nivelul sunetului (Nesiguranță K=3dB(A))	100 dB (A)	100 dB (A)	100 dB (A)

Purtați căști de protecție

Informații privind vibrațiile

Valorile totale de oscilație (suma vectorială pe trei direcții determinate conform normei EN 60745).

Găurit în metal			
Valoarea emisie de oscilații a _{h,DS}	3,4 m/s ²	3,4 m/s ²	3,4 m/s ²
Nesiguranță K=	1,5 m/s ²	1,5 m/s ²	1,5 m/s ²
Găurit cu percuție în beton			
Valoarea emisie de oscilații a _{h,UD}	20,2 m/s ²	20,2 m/s ²	20,2 m/s ²
Nesiguranță K=	1,5 m/s ²	1,5 m/s ²	1,5 m/s ²
Înșurubare			
Valoarea emisie de oscilații a _v	2,5 m/s ²	2,5 m/s ²	2,5 m/s ²
Nesiguranță K=	1,5 m/s ²	1,5 m/s ²	1,5 m/s ²

AVERTISMENT

Gradul de oscilație indicat în prezentele instrucțiuni a fost măsurat în conformitate cu o procedură de măsurare normată prin norma EN 60745 și poate fi folosit pentru a compara unelte electrice între ele. El se pretează și pentru o evaluare provizorie a solicitării la oscilații.

Gradul de oscilație indicat reprezintă aplicațiile principale ale uneltelor electrice. În cazul în care însă unelte electrice au fost folosite pentru alte aplicații, ori au fost folosite unelte de muncă diferite ori acestea nu au fost supuse unei suficiente inspecții de întreținere, gradul de oscilație poate fi diferit.

Acest fapt poate duce la o creștere netă a solicitărilor la oscilații dealungul întregii perioade de lucru. În scopul unei evaluări exacte a solicitării la oscilații, urmează să fie luate în considerație și perioadele de timp în care aparatul a fost oprit ori funcționează dar, în realitate, el nu este folosit în mod practic. Acest fapt poate duce la o reducere netă a solicitărilor la oscilații dealungul întregii perioade de lucru.

Stabiliți măsuri de siguranță suplimentare în scopul protecției utilizatorului de efectele oscilațiilor, de exemplu: inspecție de întreținere a uneltelor electrice și a celor de muncă, păstrarea caldă a mâinilor, organizarea proceselor de muncă.

AVERTIZARE! Citiți toate indicațiile de siguranță și toate instrucțiunile. Nerespectarea indicațiilor de avertizare și a instrucțiunilor poate provoca electrocutare, incendii și/sau răni grave.

Păstrați toate indicațiile de avertizare și instrucțiunile în vederea utilizărilor viitoare.

INSTRUCIUNI DE SECURITATE PENTRU BURGHIU PERCUȚIE

La găurirea cu percuție purtați echipament de protecție pentru auz. Expunerea la zgomot poate duce la pierderea auzului.

Utilizați manerele auxiliare livrate cu scula. Pierderea controlului poate provoca rănirea persoanelor.

Țineți aparatul de mânerul izolat când executați lucrări la care scula tăietoare poate nimeri peste conductori electrici ascunși sau peste cablul propriu. Intrarea în contact a sculei tăietoare cu o linie electrică prin care circulă curent poate pune sub tensiune și componente metalice ale aparatului și să ducă la electrocutare.

INSTRUCIUNI DE SECURITATE PENTRU MAȘINI DE ÎNȘURUBAT

Dacă efectuați lucrări la care scula montată poate nimeri cabluri electrice ascunse sau propriul cablu de alimentare, țineți aparatul de suprafețele izolate ale mânerelor. Contactul șurubului cu un conductor prin care circulă curentul electric poate pune sub tensiune componente metalice ale aparatului, provocând electrocutare.

INSTRUCIUNI SUPPLEMENTARE DE SIGURANȚĂ ȘI DE LUCRU

Folosiți echipament de protecție . Purtați întotdeauna ochelari de protecție când lucrați cu mașina . Se recomandă utilizarea hainelor de protecție ca de ex. Măști contra prafului, mănuși de protecție, încălțăminte stabilă nealunecoasă, cască și apărătoare de urechi.

Praful care apare când se lucrează cu această sculă poate fi dăunător sănătății și prin urmare nu trebuie să atingă corpul. Purtați o mască de protecție corespunzătoare împotriva prafului.

Nu se admite prelucrarea unui material care poate pune în pericol sănătatea operatorului (de exemplu azbestul).

La blocarea sculei demontabile vă rugăm să deconectați imediat aparatul! Nu conectați aparatul atâta timp cât scula demontabilă este blocată; dacă o faceți, s-ar putea să se producă un recul cu un cuplu mare de reacție. Găsiți și

remediați cauza de blocare a sculei demontabile respectând indicațiile pentru siguranță.

Cauzele posibile pot fi:

- Agățarea în piesa de prelucrat
- Străpungerea materialului de prelucrat
- Suprasolicitarea sculei electrice

Nu atingeți părțile mașinii aflate în rotație.

Scula introdusă poate să devină fierbinte în timpul utilizării.

AVERTISMENT! Pericol de arsuri

- la schimbarea sculei
- la depunerea aparatului

Rumegeșul și spanul nu trebuie îndepărtate în timpul funcționării mașinii.

Paștrăți cablul de alimentare la o distanță de aria de lucru a mașinii. Întotdeauna țineți cablul în spatele dvs.

Când se lucrează pe pereți, tavan sau dușumea, aveți grijă să evitați cablurile electrice și țevile de gaz sau de apă.

Asigurați piesa de prelucrat cu un dispozitiv de fixare.

Piese neasigurate pot provoca accidentări grave și stricăciuni.

Întotdeauna scoateți stecarul din priză înainte de a efectua intervenții la mașină.

Când se lucrează cu diametre de perforare mari, manerul auxiliar trebuie fixat în unghi drept față de manerul principal (vezi ilustrații, secțiunea "Răscuire mâner")

CONDII DE UTILIZARE SPECIFICATE

Mașina electronică de găurit / de înșurubat pot fi utilizate universal pentru găurire, găurire cu percuție, înșurubare și tăiere filete.

Nu utilizați acest produs în alt mod decât cel stabilit pentru utilizare normală

DECLARAȚIE DE CONFORMITATE

Declarăm pe propria răspundere că produsul descris la „Date tehnice” este în concordanță cu toate prevederile legale relevante ale Directivei 2011/65/EU (RoHS), 2014/30/UE, 2006/42/CE și cu următoarele norme armonizate:

EN 55014-1:2017
EN 60745-1:2009+A11:2010
EN 60745-2-1:2010
EN 60745-2-2:2010
EN 61000-3-3:2013
EN 61000-3-2:2014
EN 55014-2:2015
EN 50581:2012

Winnenden, 2018-02-26



Alexander Krug
Managing Director



Împreună să elaboreze documentația tehnică.

Technronic Industries GmbH
Max-Eyth-Straße 10
71364 Winnenden
Germany

ALIMENTARE DE LA REȚEA

Aparatele utilizate în multe locații diferite inclusiv în aer liber trebuie conectate printr-un disjunct (FI, RCD, PRCD) care previne comutarea.

Conectați numai la priză de curent alternativ monofazat și numai la tensiunea specificată pe placuța indicatoare. Se permite conectarea și la prize fără împământare dacă modelul se conformează clasei II de securitate.

Asigurați-vă că aparatul este oprit, înainte de conectare .

Fantele de aerisire ale mașinii trebuie să fie menținute libere tot timpul

Dacă mașina este folosită în principal pentru perforare prin percuție, înlăturați în mod regulat praful colectat din mandrină. Pentru a înlătura praful, țineți mașina cu mandrina vertical în jos și deschideți mandrina complet și închideți-o. Praful colectat va cădea din mandrină.

Se recomandă utilizarea regulată a unui aspirator pentru fâlcile de strângere și orificiile acestora.

Dacă cablul de racordare la rețea este avariât, acesta trebuie înlocuit la un punct de service, deoarece pentru aceasta este nevoie de scule speciale.

Utilizați numai accesorii și piese de schimb AEG. Dacă unele din componente care nu au fost descrise trebuie înlocuite, vă rugăm contactați unul din agenții de service AEG (vezi lista noastră pentru service / garanție)

Dacă este necesară, se poate comanda o imagine descompusă a sculei. Vă rugăm menționați numărul art. Precum și tipul mașinii tipărit pe etichetă și comandați desenul la agenții de service locali sau direct la Technonic Industries GmbH, Max-Eyth-Straße 10, 71364 Winnenden, Germany.



PERICOL! AVERTIZARE! ATENȚIE!



Întotdeauna scoateți steclarul din priză înainte de a efectua intervenții la mașină.



Va rugăm citiți cu atenție instrucțiunile înainte de pornirea mașinii



Accesoriu - Nu este inclus în echipamentul standard, disponibil ca accesoriu



Aruncarea aparatelor electrice la gunoii menajer este interzisă. Echipamentele electrice și electronice trebuie colectate separat și predate la un centru de reciclare și eliminare a deșeurilor, pentru a fi eliminate ecologic. Interesați-vă la autoritățile locale sau la comerciantul dvs. de specialitate unde se află centre de reciclare și puncte de colectare.



Sculă electrică cu clasa de protecție II. Sculă electrică la care protecția împotriva unei electrocutări nu depinde doar de izolația de bază, ci și de aplicarea de măsuri suplimentare de protecție, cum ar fi o izolație dublă sau o izolație mai puternică. Nu există un dispozitiv pentru conectarea unui conductor de protecție.



Marcaj CE



Regulatory Compliance Mark (RCM). Produsul îndeplinește normele în vigoare.



Marcaj național de conformitate Ucraina



Marcaj de conformitate EurAsian.

	BE 750 R	SBE 705 RE	SBE 705 RZ
Произведен број.....	4491 61 04...	4428 31 04...	4494 91 04...
Определен внес.....	0.00001-999999	0.00001-999999	0.00001-999999
Излез.....	750 W	705 W	705 W
Брзина без оптоварување.....	375 W	350 W	350 W
Брзина при максимално оптоварување.....	0-3000 min ⁻¹	0-2800 min ⁻¹	0-2800 min ⁻¹
Јачина на удар максимално под оптоварување.....	1450 min ⁻¹	1600 min ⁻¹	1600 min ⁻¹
Статички момент на блокирање*.....	27 Nm	25 Nm	25 Nm
Капацитет на дупчење во бетон.....	15 mm	15 mm	15 mm
Капацитет на дупчење во тули и плочки.....	20 mm	20 mm	20 mm
Капацитет на дупчење во челик.....	13 mm	13 mm	13 mm
Капацитет на дупчење во меко дрво.....	30 mm	30 mm	30 mm
Опсег на отворање на бушотина.....	1,5-13 mm	1,5-13 mm	1,5-13 mm
Возен крак.....	1/2"x20	1/2"x20	1/2"x20
Дијаметар на вратот на врв.....	43 mm	43 mm	43 mm
Тежина според ЕПТА-процедурата 01/2014.....	1,95 kg	1,95 kg	1,95 kg
* Мерни во зависност од AEG норма N 877318			

Информации за бучавата

Измерените вредности се одредени согласно стандардот EN 60 745.

A-оценетото ниво на бучава на апаратот типично изнесува:

За бушење/за заштрафување:

Ниво на звучен притисок. (Несигурност K=3dB(A)).....	81,5 dB (A)	81,5 dB (A)	81,5 dB (A)
Ниво на јачина на звук. (Несигурност K=3dB(A)).....	92,5 dB (A)	92,5 dB (A)	92,5 dB (A)
Како перкусиона бормашина:			
Ниво на звучен притисок. (Несигурност K=3dB(A)).....	89 dB (A)	89 dB (A)	89 dB (A)
Ниво на јачина на звук. (Несигурност K=3dB(A)).....	100 dB (A)	100 dB (A)	100 dB (A)

Носте штитник за уши.

Информации за вибрации

Вкупни вибрациски вредности (векторски збир на трите насоки) пресметани согласно EN 60745.

Дупчење во метал

Вибрациска емисиона вредност a _{h,DS}	3,4 m/s ²	3,4 m/s ²	3,4 m/s ²
Несигурност K.....	1,5 m/s ²	1,5 m/s ²	1,5 m/s ²
Перкусионо дупчење во бетон			
Вибрациска емисиона вредност a _{h,ID}	20,2 m/s ²	20,2 m/s ²	20,2 m/s ²
Несигурност K.....	1,5 m/s ²	1,5 m/s ²	1,5 m/s ²
Заштрафување			
Вибрациска емисиона вредност a _h	2,5 m/s ²	2,5 m/s ²	2,5 m/s ²
Несигурност K.....	1,5 m/s ²	1,5 m/s ²	1,5 m/s ²

ТЕХНИЧКИ ПОДАТОЦИ

	SBE 750 RZ	SBE 750 RE	SBE 750 RES
Произведен број.....	4428 41 04...	4428 51 04...	4497 83 04...
Определен внес.....	0.00001-999999	0.00001-999999	0.00001-999999
Излез.....	750 W	750 W	750 W
Брзина без оптоварување.....	375 W	375 W	375 W
Брзина при максимално оптоварување.....	0-3000 min ⁻¹	0-3000 min ⁻¹	0-3000 min ⁻¹
Јачина на удар максимално под оптоварување.....	1450 min ⁻¹	1450 min ⁻¹	1450 min ⁻¹
Статички момент на блокирање*.....	23200 min ⁻¹	23200 min ⁻¹	23200 min ⁻¹
Капацитет на дупчење во бетон.....	27 Nm	27 Nm	27 Nm
Капацитет на дупчење во тули и плочки.....	16 mm	16 mm	16 mm
Капацитет на дупчење во челик.....	20 mm	20 mm	20 mm
Капацитет на дупчење во меко дрво.....	13 mm	13 mm	13 mm
Опсег на отворање на бушотина.....	30 mm	30 mm	30 mm
Возен крак.....	1,5-13 mm	1,5-13 mm	1,5-13 mm
Дијаметар на вратот на врв.....	1/2"x20	1/2"x20	1/2"x20
Тежина според ЕПТА-процедурата 01/2014.....	43 mm	43 mm	43 mm
* Мерни во зависност од AEG норма N 877318	1,95 kg	1,95 kg	1,95 kg

Информации за бучавата

Измерените вредности се одредени согласно стандардот EN 60 745.

A-оценетото ниво на бучава на апаратот типично изнесува:

За бушење/за заштрафување:

Ниво на звучен притисок. (Несигурност K=3dB(A)).....	81,5 dB (A)	81,5 dB (A)	81,5 dB (A)
Ниво на јачина на звук. (Несигурност K=3dB(A)).....	92,5 dB (A)	92,5 dB (A)	92,5 dB (A)
Како перкусиона бормашина:			
Ниво на звучен притисок. (Несигурност K=3dB(A)).....	89 dB (A)	89 dB (A)	89 dB (A)
Ниво на јачина на звук. (Несигурност K=3dB(A)).....	100 dB (A)	100 dB (A)	100 dB (A)

Носте штитник за уши.

Информации за вибрации

Вкупни вибрациски вредности (векторски збир на трите насоки) пресметани согласно EN 60745.

Дупчење во метал

Вибрациска емисиона вредност a _{h,DS}	3,4 m/s ²	3,4 m/s ²	3,4 m/s ²
Несигурност K.....	1,5 m/s ²	1,5 m/s ²	1,5 m/s ²
Перкусионо дупчење во бетон			
Вибрациска емисиона вредност a _{h,ID}	20,2 m/s ²	20,2 m/s ²	20,2 m/s ²
Несигурност K.....	1,5 m/s ²	1,5 m/s ²	1,5 m/s ²
Заштрафување			
Вибрациска емисиона вредност a _h	2,5 m/s ²	2,5 m/s ²	2,5 m/s ²
Несигурност K.....	1,5 m/s ²	1,5 m/s ²	1,5 m/s ²

ПРЕДУПРЕДУВАЊЕ

Нивото на осцилација наведено во овие инструкции е измерено во согласност со мерните постапки нормирани во EN 60745 и може да биде употребено за меѓусебна споредба на електро-алати. Ова ниво може да се употреби и за привремена проценка на оптоварувањето на осцилацијата.

Наведеното ниво на осцилација ги репрезентира главните намени на електро-алатот. Но, доколку електро-алатот се употребува за други намени, со отстапувачки додатоци или со несоодветно одржување, нивото на осцилација може да отстапи. Тоа може значително да го зголеми оптоварувањето на осцилацијата за време на целиот работен период.

За прецизна проценка на оптоварувањето на осцилацијата предвид треба да бидат земен и времињата, во коишто апаратот е исклучен или работи, но фактички не се употребува. Тоа може значително да го намали оптоварувањето на осцилацијата за време на целиот работен период.

Утврдете дополнителни безбедносни мерки за заштита на операторот од влијанието на осцилациите, како на пример: одржување на електро-алатот и на додатоци кон електро-алатот, одржување топли раце, организација на работните процеси.

⚠ ВНИМАНИЕ! Прочитајте ги безбедносните напомени и упатства. Заборавање на почитувањето на безбедносните упатства и инструкции можат да предизвикаат електричен удар, пожар и/или тешки повреди.
Сочувајте ги сите безбедносни упатства и инструкции за во иднина.

⚠ СИГУРНОСНИ НАПОМЕНИ ЗА УДАРНИ ВЕЖБА

При работата со перкусионата бормашина носете заштита за уши. Влијанието на бука може да предизвика губење на сетилото за слух.

Користете помошни рачки кои доаѓаат заедно со алатот. Губењето контрола може да предизвика повреда.

Држете го електричниот алат за издадените површини при изведување на операции при кои алатот за сечење можат да дојдат во контакт со скриени жици или сопствениот гајтан. Контакт со жица под напон исто така ќе направи проводници од металните делови и оној кој ракува со алатот ќе доживее струен удар.

⚠ СИГУРНОСНИ НАПОМЕНИ ЗА БУРГИЈА

Држете го апаратот за изолираните површини за држење кога ги изведувате работите кај кои што употребеното орудие може да допре до скриен струен вод или да го погоди сопствениот кабел. Контактот на навртката со вод под напон може да ги стави металните делови од апаратот под напон и да доведе до електричен удар.

ОСТАНАТИ БЕЗБЕДНОСНИ И РАБОТНИ УПАТСТВА

Употребувајте заштитна опрема. При работа со машината постојано носете заштитни очила. Се препорачува заштитна облека како: маска за заштита од прашина, заштитни ракавици, цврсти чевли што не се лизгаат, кацига и заштита за уши.

Пршната која се создава при користење на овој алат може да биде штетна по здравјето. Не ја вдишувајте. Носете соодветна заштитна маска.

Не смеат да бидат обработувани материјали кои што можат да го загрозат здравјето (на пр. азбест).

Доколку употребуваното орудие се блокира, молиме веднаш да се исклучи апаратот! Не го вклучувајте апаратот повторно додека употребуваното орудие е

блокирано; притоа би можело да дојде до повратен удар со висок момент на реакција. Испитајте и отстранете ја причината за блокирањето на употребеното орудие имајќи ги во предвид напомените за безбедност.

Можни причини би можеле да се:

- Закантување во парчето кое што се обработува
- Кршење поради продирање на материјалот кој што се обработува
- Преоптоварување на електричното орудие

Не фаќајте во машината кога работи.

Употребеното орудие за време на примената може да стане многу жешко.

ПРЕДУПРЕДУВАЊЕ! Опасност од изгоретини

- при менување на орудието
- при ставање на апаратот на страна

Прашината и струготините не смеат да се одстрануваат додека е машината работи.

Чувајте го кабелот за напојување подалеку од работната површина. Секогаш водете го кабелот позади вас.

Кога работите на ѕидови, таван или под внимавајте да ги избегнете електричните, гасните и водоводни инсталации.

Обезбедете го предметот кој што го обработувате со направа за напон. Необезбедени парчиња кои што се обработуваат можат да предизвикаат тешки повреди и оштетувања.

Секогаш кога преземате активности врз машината исклучете го кабелот од струјата.

Кога работите со големи дијаметри на бушотина, помошната рачка мора да биде врзана под вистински агол со главната рачка (видете илустрации, дел „Вртење на рачката,“).

СПЕЦИФИЦИРАНИ УСЛОВИ НА УПОТРЕБА

Електронската дупчалка/шрафцигер може да биде користена универзално за дупчење, перкусионо дупчење, зашрафување исечење на шрафови.

Не го користете овој производ на било кој друг начин освен пропишаниот за нормална употреба.

ЕУ-ДЕКЛАРАЦИЈА ЗА СООБРАЗНОСТ

Во своја сопствена одговорност изјавуваме дека под „Технички податоци“ опишаниот производ е во склад со сите релевантни прописи од регулативата 2011/65/EU (RoHS), 2014/30/EU, 2006/42/EC и следните хармонизирачки нормативни документи:

EN 55014-1:2017
EN 60745-1:2009+A11:2010
EN 60745-2-1:2010
EN 60745-2-2:2010
EN 61000-3-3:2013
EN 61000-3-2:2014
EN 55014-2:2015
EN 50581:2012

Winnenden, 2018-02-26

Alexander Krug
Managing Director



Ополномоштен за составување на техничката документација.

Techtronic Industries GmbH
Max-Eyth-Straße 10
71364 Winnenden
Germany

ГЛАВНИ ВРСКИ

Уредите кои се користат на многу различни локации вклучувајќи и отворен простор мора да бидат поврзани за струја преку направата за поврзување (FI, RCD, PRCD).

Да се спои само за една фаза AC коло и само на главниот напон наведен на плочката. Можно е исто така и поврзување на приклучок без заземјување доколку изведбата соодветствува на безбедност од 2 класа.

Бидете сигурни дека машината е исклучена пред да ја вклучите во струја.

ОДРЖУВАЊЕ

Вентилациските отвори на машината мора да бидат комплетно отворени постојано.

Доколку машината воглавно се користи за удирачко дупчење, редовно чистете ја насобраната прашина од продолжетокот. За да го направите тоа држете ја машината свртена со главата надолу вертикално и потполно отворете ја и затворете ја главата. Насобраната прашина ќе падне од неа.

Се препорачува редовно користење на клинер за стегите и затегачите.

Ако приклучниот мрежен вод е оштетен, тој мора да биде заменет од служба за клиенти, бидејќи за тоа е потребен посебен алат.

Користете само AEG додатоци и резервни делови. Доколку некои од компонентите кои не се опишани треба да бидат заменети, Ве молиме контактирајте ги сервисните агенти на AEG (консултирајте ја листата на адреси).

Доколку е потребно можно е да биде набавен детален приказ на алатот. Ве молиме наведете го бројот на артиклот како и типот на машина кој е отпечатен на етикетата и порачајте ја скицата кај локалниот застапник или директно кај: Techtronic Industries GmbH, Max-Eyth-Straße 10, 71364 Winnenden, Germany.

СИМБОЛИ



**ВНИМАНИЕ! ПРЕДУПРЕДУВАЊЕ!
ОПАСНОСТ!**



Секогаш кога преземате активности врз машината исклучете го кабелот од струјата.



Ве молиме пред да ја стартувате машината обрнете внимание на упатствата за употреба.



Дополнителна опрема - Не е вклучена во стандардната, а достапна е како додаток.



Електричните апарати не смеат да се фрлат заедно со домашниот отпад. Електричните и електронските апарати треба да се собираат одделно и да се однесат во соодветниот погон заради нивно фрлање во склад со начелата за заштита на околината. Информирајте се кај Вашите местни служби или кај специјализираниот трговски претставник, каде има такви погони за рециклажа и собирни станици.



Електрично орудие од заштитната категорија II. Електрично орудие чијашто заштита од електричен удар не зависи само од основната изолација туку и од тоа дали ќе се применат дополнителните заштитни мерки како што се двоструките изолации или појачаната изолација. Не постои никаква направа за приклучување на некој заштитен вод.



CE-знак



Regulatory Compliance Mark (RCM). Производот ги исполнува важечките прописи.



Национален конформитетски знак за Украина



EurAsian (Евроазиски) знак на конформитет.

ТЕХНІЧНІ ХАРАКТЕРИСТИКИ	BE 750 R	SBE 705 RE	SBE 705 RZ
Номер виробу.....	4491 61 04...000001-999999	4428 31 04...000001-999999	4494 91 04...000001-999999
Номінальна споживана потужність.....	750 W	705 W	705 W
Віддавана потужність.....	375 W	350 W	350 W
Кількість обертів холостого ходу.....	0-3000 min ⁻¹	0-2800 min ⁻¹	0-2800 min ⁻¹
Кількість обертів під навантаженням макс.....	1450 min ⁻¹	1600 min ⁻¹	1600 min ⁻¹
Кількість ударів під навантаженням макс.....	-	25600 min ⁻¹	25600 min ⁻¹
Статичний момент блокування *.....	27 Nm	25 Nm	25 Nm
Ø свердління бетону.....	-	15 mm	15 mm
Ø свердління цегли та силікатної цегли.....	-	20 mm	20 mm
Ø свердління сталі.....	13 mm	13 mm	13 mm
Ø свердління деревини.....	30 mm	30 mm	30 mm
Ділянка затискання свердлильного патрона.....	1,5-13 mm	1,5-13 mm	1,5-13 mm
Розточувальний шпіндель.....	1/2"x20	1/2"x20	1/2"x20
Шийка затиску, Ø.....	43 mm	43 mm	43 mm
Вага згідно з процедурою ЕРТА 01/2014.....	1,95 kg	1,95 kg	1,95 kg
* Вимірюється за стандартом AEG N 877318			

Інформація про шум
Вимірні значення визначені згідно з EN 60 745.
Рівень шуму "А" приладу становить в типовому випадку:
Як дріль/гвинтокрут:

Рівень звукового тиску (похибка K = 3 дБ(А)).....	81,5 dB (A)	81,5 dB (A)	81,5 dB (A)
Рівень звукової потужності (похибка K = 3 дБ(А)).....	92,5 dB (A)	92,5 dB (A)	92,5 dB (A)
Як ударний дріль:			
Рівень звукового тиску (похибка K = 3 дБ(А)).....	-	89 dB (A)	89 dB (A)
Рівень звукової потужності (похибка K = 3 дБ(А)).....	-	100 dB (A)	100 dB (A)

Використовувати засоби захисту органів слуху!

Інформація щодо вібрації
Сумарні значення вібрації (векторна сума трьох напрямків), встановлені згідно з EN 60745.
Свердління в металі

Значення вібрації a _{h,DS}	3,4 m/s ²	3,4 m/s ²	3,4 m/s ²
похибка K =.....	1,5 m/s ²	1,5 m/s ²	1,5 m/s ²
Ударне свердління бетону			
Значення вібрації a _{h,UD}	20,2 m/s ²	20,2 m/s ²	20,2 m/s ²
похибка K =.....	1,5 m/s ²	1,5 m/s ²	1,5 m/s ²
Пригвинчування			
Значення вібрації a _r	2,5 m/s ²	2,5 m/s ²	2,5 m/s ²
похибка K =.....	1,5 m/s ²	1,5 m/s ²	1,5 m/s ²

ТЕХНІЧНІ ХАРАКТЕРИСТИКИ	SBE 750 RZ	SBE 750 RE	SBE 750 RES
Номер виробу.....	4428 41 04...000001-999999	45 5701 03...4428 51 04...4494 96 04...000001-999999	4497 83 04...000001-999999
Номінальна споживана потужність.....	750 W	750 W	750 W
Віддавана потужність.....	375 W	375 W	375 W
Кількість обертів холостого ходу.....	0-3000 min ⁻¹	0-3000 min ⁻¹	0-3000 min ⁻¹
Кількість обертів під навантаженням макс.....	1450 min ⁻¹	1450 min ⁻¹	1450 min ⁻¹
Кількість ударів під навантаженням макс.....	23200 min ⁻¹	23200 min ⁻¹	23200 min ⁻¹
Статичний момент блокування *.....	27 Nm	27 Nm	27 Nm
Ø свердління бетону.....	16 mm	16 mm	16 mm
Ø свердління цегли та силікатної цегли.....	20 mm	20 mm	20 mm
Ø свердління сталі.....	13 mm	13 mm	13 mm
Ø свердління деревини.....	30 mm	30 mm	30 mm
Ділянка затискання свердлильного патрона.....	1,5-13 mm	1,5-13 mm	1,5-13 mm
Розточувальний шпіндель.....	1/2"x20	1/2"x20	1/2"x20
Шийка затиску, Ø.....	43 mm	43 mm	43 mm
Вага згідно з процедурою ЕРТА 01/2014.....	1,95 kg	1,95 kg	1,95 kg
* Вимірюється за стандартом AEG N 877318			

Інформація про шум
Вимірні значення визначені згідно з EN 60 745.
Рівень шуму "А" приладу становить в типовому випадку:
Як дріль/гвинтокрут:

Рівень звукового тиску (похибка K = 3 дБ(А)).....	81,5 dB (A)	81,5 dB (A)	81,5 dB (A)
Рівень звукової потужності (похибка K = 3 дБ(А)).....	92,5 dB (A)	92,5 dB (A)	92,5 dB (A)
Як ударний дріль:			
Рівень звукового тиску (похибка K = 3 дБ(А)).....	89 dB (A)	89 dB (A)	89 dB (A)
Рівень звукової потужності (похибка K = 3 дБ(А)).....	100 dB (A)	100 dB (A)	100 dB (A)

Використовувати засоби захисту органів слуху!

Інформація щодо вібрації
Сумарні значення вібрації (векторна сума трьох напрямків), встановлені згідно з EN 60745.
Свердління в металі

Значення вібрації a _{h,DS}	3,4 m/s ²	3,4 m/s ²	3,4 m/s ²
похибка K =.....	1,5 m/s ²	1,5 m/s ²	1,5 m/s ²
Ударне свердління бетону			
Значення вібрації a _{h,UD}	20,2 m/s ²	20,2 m/s ²	20,2 m/s ²
похибка K =.....	1,5 m/s ²	1,5 m/s ²	1,5 m/s ²
Пригвинчування			
Значення вібрації a _r	2,5 m/s ²	2,5 m/s ²	2,5 m/s ²
похибка K =.....	1,5 m/s ²	1,5 m/s ²	1,5 m/s ²

ПОПЕРЕДЖЕННЯ!

Рівень вібрації, вказаний в цій інструкції, вимірювався згідно з методом вимірювання, нормованим стандартом EN 60745, і може використовуватися для порівняння електроінструментів. Він призначений також для попередньої оцінки навантаження від вібрації.

Вказаний рівень вібрації відповідає основним сферам використання електроінструменту. Але якщо електроінструмент використовується для іншої мети, з іншими вставними інструментами або при недостатньому технічному обслуговуванні, рівень вібрації може бути іншим. Це може значно підвищити навантаження від вібрації за весь період роботи.

Для точної оцінки навантаження від вібрації необхідно також враховувати час, коли прилад вимкнений або увімкнений, але фактично не використовується. Це може значно зменшити навантаження від вібрації за весь період роботи.

Визначте додаткові заходи безпеки для захисту оператора від дії вібрації, наприклад: Технічне обслуговування електроінструменту та вставних інструментів, зігрівання рук, організація робочих процесів.

▲ ОПЕРЕДЖЕННЯ! Прочитайте всі вказівки з техніки безпеки та інструкції. Упущення при дотриманні вказівок з техніки безпеки та інструкції можуть призвести до ураження електричним струмом, пожежі та/або тяжких травм.
Зверніть увагу на всі вказівки з техніки безпеки та інструкції на майбутнє.

▲ ВКАЗІВКИ З ТЕХНІКИ БЕЗПЕКИ ДЛЯ ДРІЛІВ / УДАРНИХ ДРІЛІВ

Користуйтеся засобами захисту органів слуху. Вплив шуму може спричинити втрату слуху.

Користуйтеся додатковими рукоятками, що поставляються разом з пристроєм, якщо вони входять в комплект поставки. Втрата контролю може призвести до пошкоджень.

Тримайте електроінструмент за ізольовані поверхні ручок, коли виконуєте роботу, під час якої вставний інструмент може нашоухнутися на приховані електропроводи або на власний кабель. Контакт вставного інструменту з проводом під напругою може сприяти виникненню напруги на металевих деталях пристрою та призвести до ураження електричним струмом.

▲ ВКАЗІВКИ З ТЕХНІКИ БЕЗПЕКИ ДЛЯ ГВИНТОКРУТА

Під час виконання робіт тримайте прилад за ізольовані поверхні рукояток, якщо вставний інструмент може натрапити на приховані електричні лінії або власний мережевий кабель.

Контакт з лінією під напругою може призвести до появи напруги в металевих частинах приладу та до ураження електричним струмом.

▲ ДОДАТКОВІ ІНСТРУКЦІЇ З ТЕХНІКИ БЕЗПЕКИ ТА ЕКСПЛУАТАЦІЇ

Використовуйте індивідуальні засоби захисту. Під час роботи з машиною завжди носите захисні окуляри. Радимо використовувати захисний одяг, як наприклад маску для захисту від пилу, захисні рукавиці, міцне та нековзне взуття, каску та засоби захисту органів слуху.

Пил, що утворюється під час роботи, часто буває шкідливим для здоров'я; він не повинен потрапляти в організм. Носити відповідну маску для захисту від пилу.

Не можна обробляти матеріали, небезпечні для здоров'я (наприклад, азбест).

При блокуванні вставного інструменту негайно вимкнути прилад! Не вмикайте прилад, якщо вставний інструмент заблокований; при цьому може виникати віддача з високим зворотнім моментом. Визначити та усунути

причину блокування вставного інструменту з урахуванням вказівок з техніки безпеки.

- Можливі причини:
- Перекіс в заготовці, що обробляється
 - Пробивання оброблюваного матеріалу
 - Перевантаження електроінструмента

Частини тіла не повинні потрапляти в машину, коли вона працює.

Вставний інструмент може нагріватися під час роботи.

ПОПЕРЕДЖЕННЯ! Небезпека опіків

- при заміні інструменту
- при відкладанні приладу

Не можна видаляти стружку або уламки, коли машина працює.

З'єднувальний кабель завжди тримати за межами радіуса дії машини. Вести кабель завжди позаду машини.

Під час роботи на стінах, стелях або підлозі звертати увагу на електричні кабелі, газопроводи та водопровідні лінії. Зафіксувати заготовку в затисковому пристрої. Незакріплені заготовки можуть привести до тяжких травм та пошкоджень.

Перед будь-якими роботами на машині витягнути штекер із штепсельної розетки.

Для великого діаметру свердла необхідно закріпити додаткову рукоятку під прямим кутом до головної рукоятки (див. також в частині з зображеннями, розділ "Повернути рукоятку").

ВИКОРИСТАННЯ ЗА ПРИЗНАЧЕННЯМ

Ударний дріль/гвинтокрут з електричним управлінням можна використовувати універсально для свердління, ударного свердління, пригвинчування та нарізання різьби.


Цей прилад можна використовувати тільки за призначенням так, як вказано в цьому документі.

СЕРТИФІКАТ ВІДПОВІДНОСТІ ВИМОГАМ ЄС


Ми заявляємо на власну відповідальність, що виріб, описаний в "Технічних даних", відповідає всім застосовним положенням директиви 2011/65/EU (RoHS), 2014/30/EU, 2006/42/EG, та наступним гармонізованим нормативним документам:

- EN 55014-1:2017
- EN 60745-1:2009+A11:2010
- EN 60745-2-1:2010
- EN 60745-2-2:2010
- EN 61000-3-3:2013
- EN 61000-3-2:2014
- EN 55014-2:2015
- EN 50581:2012

Winnenden, 2018-02-26



Alexander Krug
Managing Director



Уповноважений із складання технічної документації.
Techtronic Industries GmbH
Max-Eyth-Straße 10
71364 Winnenden
Germany

ПІДКЛЮЧЕННЯ ДО МЕРЕЖІ

Штепсельні розетки за межами приміщень та на вологих ділянках повинні бути оснащені автоматичним запобіжним вимикачем, який спрацює при появі струму витоку (FI, RCD, PRCD). Для цього необхідні монтажні інструкції для вашої електричної системи. Майте це на увазі при користуванні нашим приладом.

Підключати лише до однофазного змінного струму і напруги мережі, які вказані на фірмовій табличці з паспортними даними. Можливе підключення також до штепсельних розеток без захисного контакту, адже конструкція має клас захисту II.

Підключати пристрій до штепсельної розетки лише вимкнутим.

ОБСЛУГОВУВАННЯ

Завжди підтримувати чистоту вентиляційних отворів.

Якщо часто використовується режим ударного свердління, свердильний патрон необхідно регулярно чистити від пилу. Для цього тримати машину патроном вертикально донизу та повністю відкривати та закривати свердильний патрон. Так накопичений пил випадає з патрону.

Радимо регулярно використовувати спрей для чищення на затискних кулачках та отворах для затискних кулачків.

Якщо мережевий кабель живлення пошкоджений, то його повинна замінити сервісна служба, щоб уникнути небезпеки.

Використовувати комплектуючі та запчастини тільки від AEG. Деталі, заміна яких не описується, замінювати тільки в відділі обслуговування клієнтів AEG (зверніть увагу на брошуру "Гарантія / адреси сервісних центрів").

У разі необхідності можна запросити креслення з зображенням вузлів машини в перспективному вигляді, для цього потрібно звернутися в ваш відділ обслуговування клієнтів або безпосередньо в Techtronic Industries GmbH, Max-Eyth-Straße 10, 71364 Winnenden, Німеччина, та вказати тип машини та шестизначний номер на фірмовій табличці з даними машини.

СИМВОЛИ



УВАГА! ПОПЕРЕДЖЕННЯ! НЕБЕЗПЕЧНО!



Перед будь-якими роботами на машині витягнути штекер із штепсельної розетки.



Уважно прочитайте інструкцію з експлуатації перед введенням приладу в дію.



Комплектуючі - не входять в обсяг постачання, рекомендовані доповнення з програми комплектуючих.



Електричні прилади не можна утилізувати з побутовими відходами. Електричні та електронні прилади необхідно збирати окремо та здавати в спеціалізовані підприємства для утилізації, що не шкодить навколишньому середовищу. Зверніться до місцевих органів або до вашого дилера, щоб отримати адреси пунктів вторинної переробки та пунктів прийому.



Електроінструмент класу захисту II. Електроінструмент, в якому захист від враження електричним струмом залежить не лише від базової ізоляції, але й від використовуваних додаткових засобів захисту, таких як подвійна ізоляція або посилена ізоляція. Немає пристроїв для підключення захисного з'єднання.



Знак CE



Знак відповідності встановленим нормам (RCM). Продукт відповідає діючим нормам.



Національний знак відповідності для України



Знак відповідності для Європи та Азії EurAsian

تنبيه! تحذير! خطر!

افصل دائما القابس عن المقبس قبل تنفيذ أي عمل بالجهاز.

يرجى قراءة التعليمات بعناية قبل بدء تشغيل الجهاز.

الملحق - ليس مدرجا كمعدة قياسية، متوفر كملحق.



لا تتخلص من الأجهزة الكهربائية مع مواد النفايات المنزلية! امثالا للتوجيهات الأوروبية EC/2002/96 حول النفايات الكهربائية والمعدات الإلكترونية وتطبيقها وفقا للقانون الوطني، فإنه يجب تجميع الأجهزة الكهربائية التي وصلت لنهاية فترة استخدامها كل على حدة وإعادتها إلى منشأة إعادة تدوير صديق للبيئة.

أداة كهربائية ذات درجة حماية 2 أداة كهربائية لا تتوقف الحماية فيها من الصعق الكهربائي ليس فقط على العزل الأساسي، بل أيضاً على إجراءات الحماية الإضافية، مثل العزل المزدوج أو العزل المعزى. ليس هناك تجهيزة لتوصيل تاريزض واقى

علامة المطابقة الأوروبية

علامة الامتثال للوائح (RCM). المنتج مطابق لمتطلبات اللانحة.

العلامة الوطنية للمطابقة الأوكرانية

لامة المطابقة الأوروبية الآسيوية

مُنتج حفر	البيانات الفنية	BE 750 R	SBE 705 RE	SBE 705 RZ
إنتاج عدد	000001-999999.....	04 61 4491.....	04 31 4428.....	04 91 4494.....
الدخل المقدر	000001-999999.....	W 750.....	W 705.....	W 705.....
الخرج	000001-999999.....	W 375.....	W 350.....	W 350.....
أقصى سرعة دون وجود حمل	0-3000.....	min ⁻¹ 0-3000.....	min ⁻¹ 0-2800.....	min ⁻¹ 0-2800.....
السرعة عند التحميل	1450.....	min ⁻¹ 1450.....	min ⁻¹ 1600.....	min ⁻¹ 1600.....
معدل الحفر بالذق تحت أقصى حمل	25600.....	min ⁻¹ 25600.....	min ⁻¹ 25600.....	min ⁻¹ 25600.....
لحظة التشويش الاستاتيكي *	Nm 27.....	Nm 25.....	Nm 25.....	Nm 25.....
قدرة الحفر في الخرسانة	15.....	mm 15.....	mm 15.....	mm 15.....
قدرة الحفر في الطوب والبلاط	13.....	mm 20.....	mm 20.....	mm 20.....
قدرة الحفر في المعادن	13.....	mm 13.....	mm 13.....	mm 13.....
قدرة الحفر في الخشب	30.....	mm 30.....	mm 30.....	mm 30.....
نطاق طرف المققاب	1,5-13.....	mm 1,5-13.....	mm 1,5-13.....	mm 1,5-13.....
ساق التدوير	x20"1/2.....	x20"1/2.....	x20"1/2.....	x20"1/2.....
قطر عنق الطرف	mm 43.....	mm 43.....	mm 43.....	mm 43.....
الوزن وفقاً لنهج EPTA رقم 01/2014	kg 1,95.....	kg 1,95.....	kg 1,95.....	kg 1,95.....
* تم قياسه وفقاً لمعيار AEG N 877318				

معلومات الضوضاء

القيم التي تم قياسها محددة وفقاً للمعايير الأوروبية EN 60 745 مستويات ضوضاء الجهاز، ترجيح A بشكل نمونجي كالتالي: مع المقاب/مفك البرغي

مستوى ضغط الصوت (الارتياح في القياس = 3 ديسيبل (A))
مستوى شدة الصوت (الارتياح في القياس = 3 ديسيبل (A))
مع المقاب
مستوى ضغط الصوت (الارتياح في القياس = 3 ديسيبل (A))
مستوى شدة الصوت (الارتياح في القياس = 3 ديسيبل (A))
ارتد واهبات الأذن!

معلومات الاهتزاز

قيم للذبذبات الإجمالية (مجموع الكميات الموجهة في المحاور الثلاثة) محدثة للمعيار الأوروبي EN60745

قيمة انبعاث الذبذبات (a _{hD})	3,4 m/s ²	3,4 m/s ²	3,4 m/s ²
الارتياح في القياس	1,5 m/s ²	1,5 m/s ²	1,5 m/s ²
الخرج الدقائق في الخرسانة	20,2 m/s ²	20,2 m/s ²	20,2 m/s ²
الارتياح في القياس	1,5 m/s ²	1,5 m/s ²	1,5 m/s ²
ربط المسامير	2,5 m/s ²	2,5 m/s ²	2,5 m/s ²
قيمة انبعاث الذبذبات (ah)	1,5 m/s ²	1,5 m/s ²	1,5 m/s ²
الارتياح في القياس	1,5 m/s ²	1,5 m/s ²	1,5 m/s ²

مُنتج حفر	البيانات الفنية	SBE 750 RZ	SBE 750 RE	SBE 750 RES
-----------	-----------------	------------	------------	-------------

إنتاج عدد	000001-999999.....	04 41 4428.....	04 51 4428.....	03 84 4497.....
الدخل المقدر	000001-999999.....	W 750.....	W 750.....	W 750.....
الخرج	000001-999999.....	W 375.....	W 375.....	W 375.....
أقصى سرعة دون وجود حمل	0-3000.....	min ⁻¹ 0-3000.....	min ⁻¹ 0-3000.....	min ⁻¹ 0-3000.....
السرعة عند التحميل	1450.....	min ⁻¹ 1450.....	min ⁻¹ 1450.....	min ⁻¹ 1450.....
معدل الحفر بالذق تحت أقصى حمل	23200.....	min ⁻¹ 23200.....	min ⁻¹ 23200.....	min ⁻¹ 23200.....
لحظة التشويش الاستاتيكي *	Nm 27.....	Nm 27.....	Nm 27.....	Nm 27.....
قدرة الحفر في الخرسانة	16.....	mm 16.....	mm 16.....	mm 16.....
قدرة الحفر في الطوب والبلاط	20.....	mm 20.....	mm 20.....	mm 20.....
قدرة الحفر في المعادن	13.....	mm 13.....	mm 13.....	mm 13.....
قدرة الحفر في الخشب	30.....	mm 30.....	mm 30.....	mm 30.....
نطاق طرف المققاب	1,5-13.....	mm 1,5-13.....	mm 1,5-13.....	mm 1,5-13.....
ساق التدوير	x20"1/2.....	x20"1/2.....	x20"1/2.....	x20"1/2.....
قطر عنق الطرف	mm 43.....	mm 43.....	mm 43.....	mm 43.....
الوزن وفقاً لنهج EPTA رقم 01/2014	kg 1,95.....	kg 1,95.....	kg 1,95.....	kg 1,95.....
* تم قياسه وفقاً لمعيار AEG N 877318				

معلومات الضوضاء

القيم التي تم قياسها محددة وفقاً للمعايير الأوروبية EN 60 745 مستويات ضوضاء الجهاز، ترجيح A بشكل نمونجي كالتالي: مع المقاب/مفك البرغي

مستوى ضغط الصوت (الارتياح في القياس = 3 ديسيبل (A))
مستوى شدة الصوت (الارتياح في القياس = 3 ديسيبل (A))
مع المقاب
مستوى ضغط الصوت (الارتياح في القياس = 3 ديسيبل (A))
مستوى شدة الصوت (الارتياح في القياس = 3 ديسيبل (A))
ارتد واهبات الأذن!

معلومات الاهتزاز

قيم للذبذبات الإجمالية (مجموع الكميات الموجهة في المحاور الثلاثة) محدثة للمعيار الأوروبي EN60745

قيمة انبعاث الذبذبات (a _{hD})	3,4 m/s ²	3,4 m/s ²	3,4 m/s ²
الارتياح في القياس	1,5 m/s ²	1,5 m/s ²	1,5 m/s ²
الخرج الدقائق في الخرسانة	20,2 m/s ²	20,2 m/s ²	20,2 m/s ²
الارتياح في القياس	1,5 m/s ²	1,5 m/s ²	1,5 m/s ²
ربط المسامير	2,5 m/s ²	2,5 m/s ²	2,5 m/s ²
قيمة انبعاث الذبذبات (ah)	1,5 m/s ²	1,5 m/s ²	1,5 m/s ²
الارتياح في القياس	1,5 m/s ²	1,5 m/s ²	1,5 m/s ²

تحذير

تم قياس مستوى انبعاث الذبذبات الموجود بوثيقة المعلومات هذه وفقاً للاختبار القياسي وفقاً للمعايير الأوروبية EN 60745 ويمكن استخدامه لمقارنة جهاز بغيره. كما يمكن استخدامه لعرض تقييم تمهيدي.

يمثل مستوى انبعاث الذبذبات المعان عنه تطبيقات الجهاز الرئيسية. بالرغم من ذلك، فإنه إذا ما تم استخدام الجهاز لتطبيقات مختلفة، بملحقات مختلفة أو لم يتم المحافظة عليه، فقد يختلف انبعاث الذبذبات. قد يزيد ذلك بصورة كبيرة من مستوى التعرض للذبذبات طوال فترة العمل الإجمالية.

يجب الوضع في الاعتبار عند تقدير مستوى التعرض للذبذبات مرات إيقاف الجهاز أو تشغيله لكن دون استخدامه في القيام بمهمة. فقد يظل ذلك بصورة كبيرة من مستوى التعرض للذبذبات طوال فترة العمل الإجمالية.

تعرف على معايير السلامة الإضافية لحماية المشغل من آثار الذبذبات مثل: صيانة الجهاز والملحقات، الحفاظ على ذئه الأيدي، وتنظيم مناخ العمل.

تحذير! اقرأ جميع تحذيرات السلامة وجميع التعليمات، بما فيها الموجودة بالكتيب المرفق. قد يؤدي الفشل في مراعاة التحذيرات والتعليمات إلى التعرض للإصابة بصدمة كهربية أو الحرق و/أو إصابة خطيرة. احتفظ بجميع التنبيهات والتعليمات للرجوع إليها مستقبلاً.

تعليمات سلامة المشاقب

ارتد واهبات الأذن عند استخدام المقاب. قد يسبب التعرض للضوضاء إلى فقدان السمع.

استخدم المقابض الإضافية، إذا كانت مرفقة مع الأداة. قد يسبب فقدان السيطرة حدوث إصابة شخصية.

امسك الآلة الكهربائية من أسطح القبض المعزولة فقط، وذلك عند القيام بعملية قد يلمس فيها أحد ملحقات آلة القطع أسلاك مخفية أو السلك الخاص بها. إن ملامسة أسلاك "موصلة للكهرباء" سوف يجعل الأجزاء المعدنية المكشوفة لآلة الكهربائية "موصلة للكهرباء"، مما يجعل المشغل عرضة لصدمة كهربائية.

مفك براغي كهربية

يجب الإمساك بالآلة الكهربائية من خلال أسطح القبض المعزولة وذلك عند القيام بعملية ما حيث قد تلامس أداة التثبيت أسلاك مخفية.

إن ملامسة أدوات التثبيت للأسلاك الكهربائية "الموصلة" قد يجعل الأجزاء المعدنية المكشوفة من الآلة الكهربائية "موصلة للكهرباء" وبالتالي فقد يجعل المشغل عرضة لصدمة كهربية.

إرشادات أمان وعمل إضافية

استخدم معدة الوقاية. ارتد دائماً نظارة الوقاية عند العمل بالآلة. ينصح باستخدام الملابس الواقية مثل الكمامات الواقية من الغبار، والقفازات، والأحذية القوية غير المنزلقة، والخوذات، وواقيات الأذن.

قد تكون الأثرية الناتجة عن استخدام هذه الآلة ضارة بالصحة. لا تستنشق هذه الأثرية. ارتد قناعاً واهياً من الأثرية مناسباً.

لا يجوز استخدام مواد ينجع عنها أضرار على الصحة (حارير صخري).

الرجاء إيقاف تشغيل الجهاز على الفور في حالة عرقلة أداة الاستعمال! لا تقم بتشغيل الجهاز مرة أخرى، طالما أن الأداة المستعملة لازالت في حالة عرقلة؛ حيث يمكن أن يحدث هنا ارتداد عكسي مصحوب بقوة رد فعل عالية.

قم بالبحث وإزالة أسباب عرقلة أداة الاستعمال مع مراعاة تعليمات الأمان.

من المحتمل أن تكون الأسباب هي:

- انحدر في القطعة المخصصة للاستعمال
- اختراق المواد المخصصة للاستعمال
- زيادة الحمل على الآلة الكهربائية

لا تلامس بيدك الماكينة أثناء دورانها.

الأداة المستخدمة قد تسخن خلال الاستخدام.

- عند استبدال الأداة
- عند وضع الجهاز

لا يجب إزالة الشاردة والشفطايا أثناء تشغيل الآلة.

ابق السلك الرئيسي بعيداً عن نطاق عمل الجهاز. ابق دائماً السلك بعيداً عنك أو خلفك.

عند العمل في سقف الحوائط أو الأرضية، توخ الحذر وتجنب الكابلات الكهربائية وأنابيب الغاز أو المياه.

قم بتأمين القطعة المستخدمة من المواد في تجهيزة تثبيت. القطع المستخدمة من المواد الغير مرمنة يمكن أن تسبب في إصابات وأضرار حادة. افصل دائماً القابض عن المقبض قبل تنفيذ أي عمل بالجهاز.

عند العمل بمقاب أقطارها كبيرة، يجب تثبيت المقبض الإضافي في الزاوية اليمنى مع المقبض الرئيسي (انظر الأشكال التوضيحية، قسم "الف المقبض").

شروط الاستخدام المحددة

يمكن استخدام المقاب الحثاق الإلكتروني/مفك مسامير عموماً في الحفر والحفر الحثاق وفق المسامير وقطع أسنان المسامير.

لا تستخدم هذا المنتج بأي طريقة أخرى غير مصرح بها للاستخدام العادي.

إعلان المطابقة - الاتحاد الأوروبي

بموجب هذا فقر على مسؤوليتنا المنفردة، أن المنتج المذكور الموصوف تحت

"البيانات الفنية" يلي

جميع التعليمات الهامة الخاصة بالمعايير

2011/65EU, 2014/30/EG, 2006/42/EG

ويتطابق مع وثائق المعايير المتوافقة التالية:

- EN 55014-1:2017
- EN 60745-1:2009+A11:2010
- EN 60745-2-1:2010
- EN 60745-2-2:2010
- EN 61000-3-3:2013
- EN 61000-3-2:2014
- EN 55014-2:2015
- EN 50581:2012

Winnenden, 2018-02-26



Alexander Krug
Managing Director
معمتدة المطابقة مع الملف الفني
Techtronic Industries GmbH
Max-Eyth-Straße 10
Winnenden 71364
Germany

توصيل الموصلات الرئيسية

يجب تزويد القوابس في الغرط الرطبية وفي الأماكن الخارجية بأزرار حماية ضد تيار العطل (FI, RCD, PRCD). هذا يتطلب تعليمات التركيب الخاصة بجهازك. الرجاء مراعاة ذلك عند استخدام جهازنا.

قم بالتوصيل بتيار متردد أحادي الطور بنظام الجهد الكهربى المحدد على لوحة الجهد المقنن فقط. يمكن أيضاً التوصيل بالمقاييس غير المؤرضة حيث يتطابق التصميم مع معايير سلامة الفئة الثانية لحماية الأجهزة الكهربائية.

تأكد من إيقاف تشغيل الآلة قبل توصيلها بالمقاييس الكهربائى.

يجب أن تكون فتحات تهوية الجهاز نظيفة طوال الوقت.

إذا كانت الآلة تستخدم بشكل أساسى في الحفر الدقاق، اعمل على إزالة الأثرية المتراكمة من الظرف دورياً. لإزالة الأثرية، امسك الآلة بحيث يكون الظرف موجهاً إلى الأسفل بشكل عمودي، ثم افتح الظرف بشكل كامل واغلقه. سوف تسقط الأثرية المتراكمة من الظرف.

ينصح باستخدام المنظف دورياً لتنظيف فكوك التثبيت وخرائط فكوك التثبيت.

في حالة تلف كبل الطاقة في هذا الجهاز، يجب استبداله فقط بواسطة ورشة تصليح يحددها المصنعت لتجنب المواقف التي تتسم بالمخاطرة.

AEG

POWERTOOLS

www.aeg-powertools.eu

(02.18)
4931 4700 54



Techtronic Industries GmbH
Max-Eyth-Straße 10
71364 Winnenden
Germany