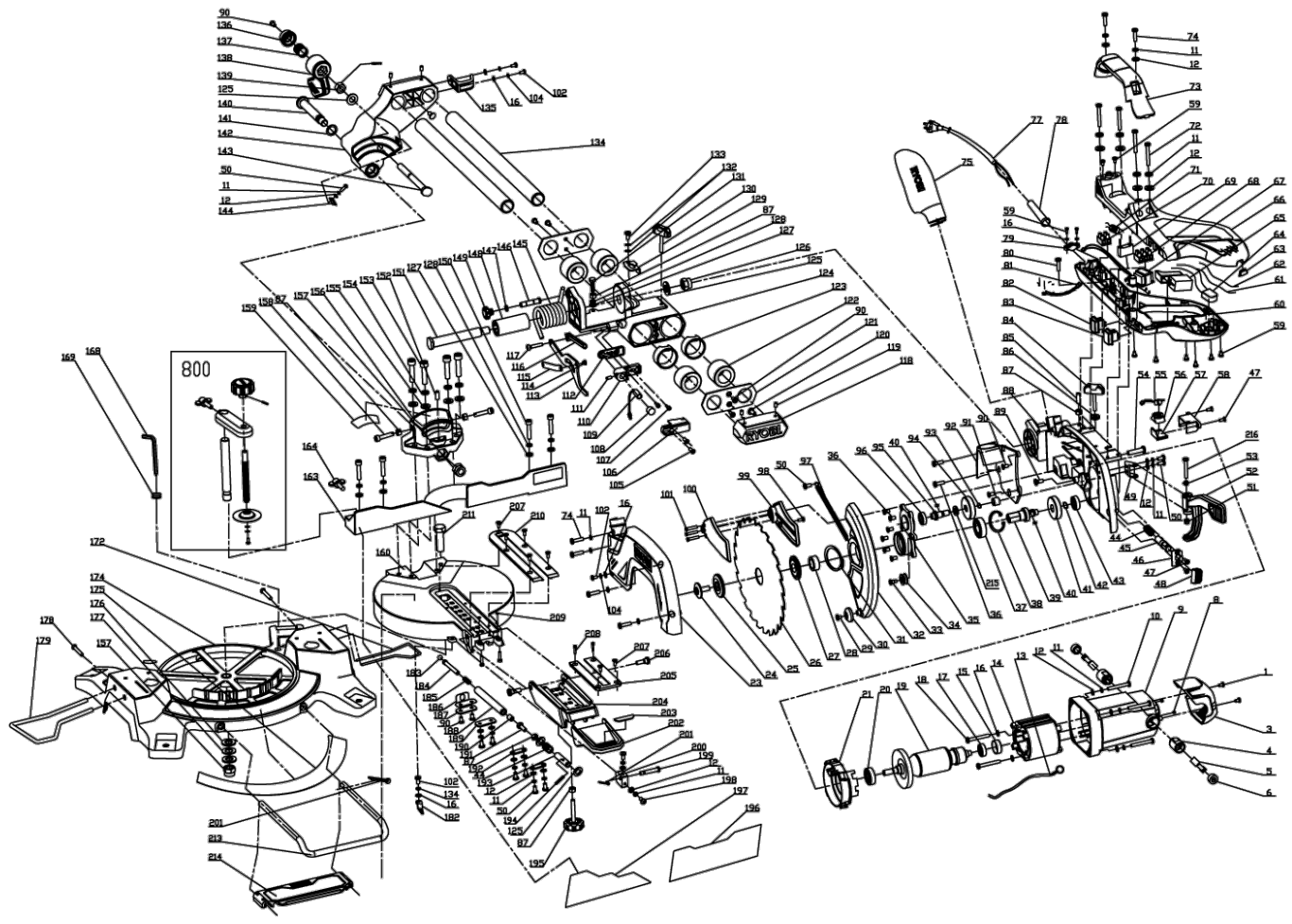


# EMS216L 216mm Compact Slide Mitre Saw

5133001197 - EMS216L - 5133001197#1





| Position | Quantity | Description        | Part number | EAN |
|----------|----------|--------------------|-------------|-----|
| 001      | 2        | SCREW              | 5131030760  |     |
| 003      | 1        | COVER              | 5131030761  |     |
| 004      | 2        | BRUSH HOLDER       | 5131030762  |     |
| 005      | 2        | CARBON BRUSH       | 5131030764  |     |
| 006      | 2        | BRUSH COVER        | 5131030765  |     |
| 008      | 2        | SCREW              | 5131030766  |     |
| 009      | 1        | MOTOR HOUSING      | 5131030763  |     |
| 010      | 4        | SCREW              | 5131030766  |     |
| 011      | 25       | SPRING WASHER      | 5131030768  |     |
| 012      | 21       | WASHER             | 5131030769  |     |
| 013      | 1        | CONNECTION CABLE   | 5131030770  |     |
| 014      | 1        | ELECTRIC FIELD     | 5131030771  |     |
| 015      | 1        | BEARING BUSH       | 5131030772  |     |
| 016      | 8        | WASHER             | 5131030773  |     |
| 017      | 1        | BALL BEARING       | 5131030774  |     |
| 018      | 2        | SCREW              | 5131030777  |     |
| 019      | 1        | ROTOR              | 5131030775  |     |
| 020      | 1        | BALL BEARING       | 5131030776  |     |
| 021      | 1        | SUPPORTING RING    | 5131030778  |     |
| 023      | 1        | CUTTING GUARD      | 5131030779  |     |
| 024      | 1        | BOLT               | 5131030780  |     |
| 025      | 1        | CLAMPING FLANGE    | 5131030781  |     |
| 027      | 1        | CLAMPING FLANGE    | 5131030782  |     |
| 028      | 1        | SLEEVE             | 5131030783  |     |
| 030      | 1        | ROLLER             | 5131030784  |     |
| 031      | 1        | RETAINING RING     | 5131030785  |     |
| 032      | 1        | GUARD              | 5131030786  |     |
| 033      | 1        | SCREW              | 5131030787  |     |
| 034      | 1        | INTERMEDIATE WHEEL | 5131030788  |     |
| 035      | 1        | GEAR BOX COVER     | 5131030789  |     |
| 036      | 8        | SCREW              | 5131030802  |     |
| 037      | 1        | BALL BEARING       | 5131030790  |     |
| 038      | 1        | RETAINING RING     | 5131030791  |     |
| 039      | 1        | GEAR SHAFT         | 5131030792  |     |
| 040      | 2        | KEY                | 5131030793  |     |
| 041      | 1        | GEAR               | 5131030794  |     |
| 042      | 1        | RETAINING RING     | 5131030795  |     |
| 043      | 1        | BALL BEARING       | 5131030796  |     |
| 044      | 2        | SPRING             | 5131030803  |     |
| 045      | 1        | LOCK PIN           | 5131030804  |     |
| 046      | 1        | CLAMPING PLATE     | 5131030805  |     |
| 047      | 4        | SCREW              | 5131030806  |     |
| 048      | 1        | KNOB               | 5131030807  |     |
| 049      | 1        | HOLDER             | 5131030808  |     |
| 050      | 9        | SCREW              | 5131030809  |     |
| 051      | 1        | NUT                | 5131030810  |     |
| 052      | 1        | OPERATING HANDLE   | 5131030811  |     |
| 053      | 1        | SPRING             | 5131030812  |     |
| 054      | 1        | SCREW              | 5131030813  |     |
| 055      | 1        | LAMP               | 5131030814  |     |

| Position | Quantité | Désignation       | Référence  | EAN |
|----------|----------|-------------------|------------|-----|
| 056      | 1        | LAMP HOUSING      | 5131030815 |     |
| 057      | 1        | LENS              | 5131030816 |     |
| 058      | 1        | HOLDER            | 5131030817 |     |
| 059      | 10       | SCREW             | 5131030818 |     |
| 060      | 1        | HANDLE HALF       | 5131030819 |     |
| 061      | 1        | CONNECTION WIRE   | 5131030820 |     |
| 062      | 1        | CONNECTION WIRE   | 5131030821 |     |
| 063      | 1        | COVER             | 5131030822 |     |
| 064      | 1        | INDICATOR LIGHT   | 5131030823 |     |
| 065      | 1        | SWITCH ASSEMBLY   | 5131030824 |     |
| 066      | 1        | HANDLE COVER      | 5131030825 |     |
| 067      | 1        | TRANSFORMER       | 5131030826 |     |
| 068      | 1        | TERMINAL PLUG     | 5131030827 |     |
| 069      | 1        | CAPACITOR         | 5131030828 |     |
| 070      | 1        | TERMINAL PLUG     | 5131030829 |     |
| 071      | 1        | CHOKING COIL      | 5131030830 |     |
| 072      | 4        | SCREW             | 5131030831 |     |
| 073      | 1        | HANDLE            | 5131030832 |     |
| 074      | 6        | SCREW             | 5131030833 |     |
| 075      | 1        | DUST BAG          | 5131030949 |     |
| 077      | 1        | POWER CORD        | 5131030834 |     |
| 078      | 1        | PROTECTION SLEEVE | 5131030835 |     |
| 079      | 1        | CLAMP             | 5131030836 |     |
| 080      | 1        | SCREW             | 5131030837 |     |
| 081      | 1        | CONNECTION WIRE   | 5131030838 |     |
| 082      | 1        | SWITCH ASSEMBLY   | 5131030839 |     |
| 083      | 1        | SWITCH ASSEMBLY   | 5131030840 |     |
| 084      | 1        | TURNING KNOB      | 5131030841 |     |
| 085      | 1        | SCREW             | 5131030842 |     |
| 086      | 1        | NUT               | 5131030843 |     |
| 087      | 6        | NUT               | 5131030844 |     |
| 088      | 1        | CUTTING GUARD     | 5131030845 |     |
| 089      | 1        | SCREW             | 5131030846 |     |
| 090      | 9        | SCREW             | 5131030847 |     |
| 091      | 1        | NEEDLE BEARING    | 5131030797 |     |
| 092      | 1        | HOUSING COVER     | 5131030848 |     |
| 093      | 1        | RETAINING RING    | 5131030798 |     |
| 094      | 1        | GEAR              | 5131030799 |     |
| 095      | 1        | GEAR SHAFT        | 5131030800 |     |
| 096      | 1        | BEARING           | 5131030801 |     |
| 097      | 1        | SPRING            | 5131030849 |     |
| 098      | 1        | SCREW             | 5131030850 |     |
| 099      | 1        | COVER             | 5131030851 |     |
| 100      | 1        | COVER             | 5131030852 |     |
| 101      | 3        | RIVET             | 5131030853 |     |
| 102      | 4        | SCREW             | 5131030854 |     |
| 104      | 5        | SPRING WASHER     | 5131030855 |     |
| 105      | 2        | SCREW             | 5131030856 |     |
| 106      | 1        | HOLDER            | 5131030857 |     |
| 107      | 2        | SCREW             | 5131030858 |     |

| Position | Quantité | Désignation       | Référence  | EAN |
|----------|----------|-------------------|------------|-----|
| 108      | 1        | LENS              | 5131030859 |     |
| 109      | 1        | LASER             | 5131030860 |     |
| 110      | 1        | HOLDER            | 5131030861 |     |
| 111      | 1        | SCREW             | 5131030862 |     |
| 112      | 1        | HOLDER            | 5131030863 |     |
| 113      | 1        | LEVER             | 5131030864 |     |
| 114      | 1        | RIVET             | 5131030865 |     |
| 115      | 1        | LEVER             | 5131030866 |     |
| 117      | 1        | SCREW             | 5131030867 |     |
| 118      | 1        | SCREW             | 5131030867 |     |
| 119      | 4        | SCREW             | 5131030869 |     |
| 120      | 2        | RUBBER BUMPER     | 5131030870 |     |
| 121      | 2        | BEARING END PLATE | 5131030871 |     |
| 122      | 4        | BEARING           | 5131030872 |     |
| 123      | 2        | BEARING BUSH      | 5131030873 |     |
| 124      | 1        | BRACKET           | 5131030874 |     |
| 125      | 4        | WASHER            | 5131030875 |     |
| 126      | 1        | NUT               | 5131030876 |     |
| 127      | 5        | WASHER            | 5131030877 |     |
| 128      | 5        | SPRING WASHER     | 5131030878 |     |
| 129      | 1        | SUPPORT BRACKET   | 5131030879 |     |
| 130      | 1        | SUPPORT BRACKET   | 5131030879 |     |
| 131      | 1        | SCREW             | 5131030881 |     |
| 132      | 2        | WASHER            | 5131030882 |     |
| 133      | 1        | SCREW             | 5131030883 |     |
| 134      | 2        | TUBE              | 5131030884 |     |
| 135      | 1        | HOLDER            | 5131030885 |     |
| 136      | 1        | CAP               | 5131030886 |     |
| 137      | 1        | SPRING            | 5131030887 |     |
| 138      | 1        | LOCK              | 5131030888 |     |
| 139      | 1        | NUT               | 5131030889 |     |
| 140      | 1        | AXLE              | 5131030890 |     |
| 141      | 1        | WASHER            | 5131030891 |     |
| 142      | 1        | BRACKET           | 5131030892 |     |
| 143      | 1        | AXLE              | 5131030893 |     |
| 144      | 1        | INDICATOR         | 5131030894 |     |
| 145      | 1        | TORSION SPRING    | 5131030895 |     |
| 146      | 1        | TORSION SPRING    | 5131030895 |     |
| 147      | 1        | WASHER            | 5131030897 |     |
| 148      | 1        | SEALING SLEEVE    | 5131030898 |     |
| 149      | 1        | KNOB              | 5131030899 |     |
| 150      | 6        | SCREW             | 5131030900 |     |
| 151      | 1        | AXLE              | 5131030901 |     |
| 152      | 1        | SCREW             | 5131030902 |     |
| 153      | 4        | SCREW             | 5131030903 |     |
| 154      | 4        | SPRING WASHER     | 5131030904 |     |
| 155      | 4        | WASHER            | 5131030905 |     |
| 156      | 1        | BRACKET           | 5131030906 |     |
| 157      | 2        | NUT               | 5131030907 |     |
| 158      | 2        | SCREW             | 5131030908 |     |

| Position | Quantité | Désignation         | Référence  | EAN |
|----------|----------|---------------------|------------|-----|
| 159      | 1        | LABEL               | 5131030953 |     |
| 160      | 1        | TURN TABLE          | 5131030909 |     |
| 163      | 1        | FENCE               | 5131030910 |     |
| 164      | 1        | WINGED SCREW        | 5131030911 |     |
| 168      | 1        | ALLEN KEY           | 5131030950 |     |
| 169      | 1        | RUBBER SLEEVE       | 5131030912 |     |
| 172      | 1        | EXTENSION           | 5131030951 |     |
| 174      | 1        | GROUND PLATE        | 5131030913 |     |
| 175      | 1        | LABEL               | 5131030956 |     |
| 176      | 2        | WASHER              | 5131030914 |     |
| 177      | 3        | WASHER              | 5131030915 |     |
| 178      | 2        | SCREW               | 5131030916 |     |
| 179      | 1        | EXTENSION           | 5131030952 |     |
| 182      | 1        | INDICATOR           | 5131030917 |     |
| 183      | 1        | BALL                | 5131030918 |     |
| 184      | 1        | AXLE                | 5131030919 |     |
| 185      | 1        | SPRING              | 5131030920 |     |
| 186      | 1        | SUPPORT BRACKET     | 5131030921 |     |
| 187      | 1        | PLATE               | 5131030922 |     |
| 188      | 1        | TUBE                | 5131030923 |     |
| 189      | 1        | PLATE               | 5131030924 |     |
| 190      | 1        | SCREW               | 5131030925 |     |
| 191      | 1        | SCREW               | 5131030926 |     |
| 192      | 2        | PLATE               | 5131030927 |     |
| 193      | 1        | LEVER               | 5131030928 |     |
| 194      | 1        | SPLIT PIN           | 5131030929 |     |
| 195      | 1        | TURNING KNOB        | 5131030930 |     |
| 198      | 2        | SCREW               | 5131030931 |     |
| 199      | 1        | AXLE                | 5131030932 |     |
| 200      | 1        | CAM                 | 5131030933 |     |
| 201      | 2        | SPLIT PIN           | 5131030934 |     |
| 202      | 1        | HANDLE              | 5131030935 |     |
| 203      | 1        | PLATE               | 5131030936 |     |
| 204      | 1        | EXTENSION           | 5131030937 |     |
| 205      | 1        | ANTI-CHIPPING DEVI. | 5131030938 |     |
| 206      | 2        | SCREW               | 5131030939 |     |
| 207      | 7        | SCREW               | 5131030940 |     |
| 208      | 4        | SCREW               | 5131030941 |     |
| 209      | 2        | WASHER              | 5131030942 |     |
| 210      | 1        | ANTI-CHIPPING DEVI. | 5131030943 |     |
| 211      | 1        | SCREW               | 5131030944 |     |
| 213      | 1        | EXTENSION           | 5131030945 |     |
| 214      | 1        | EXTENSION           | 5131030946 |     |
| 215      | 1        | WASHER              | 5131030954 |     |
| 216      | 1        | SCREW               | 5131030947 |     |
| 800      | 1        | CLAMP               | 5131030948 |     |
|          | 1        | SWISS ADAPTER       | 5131027809 |     |