

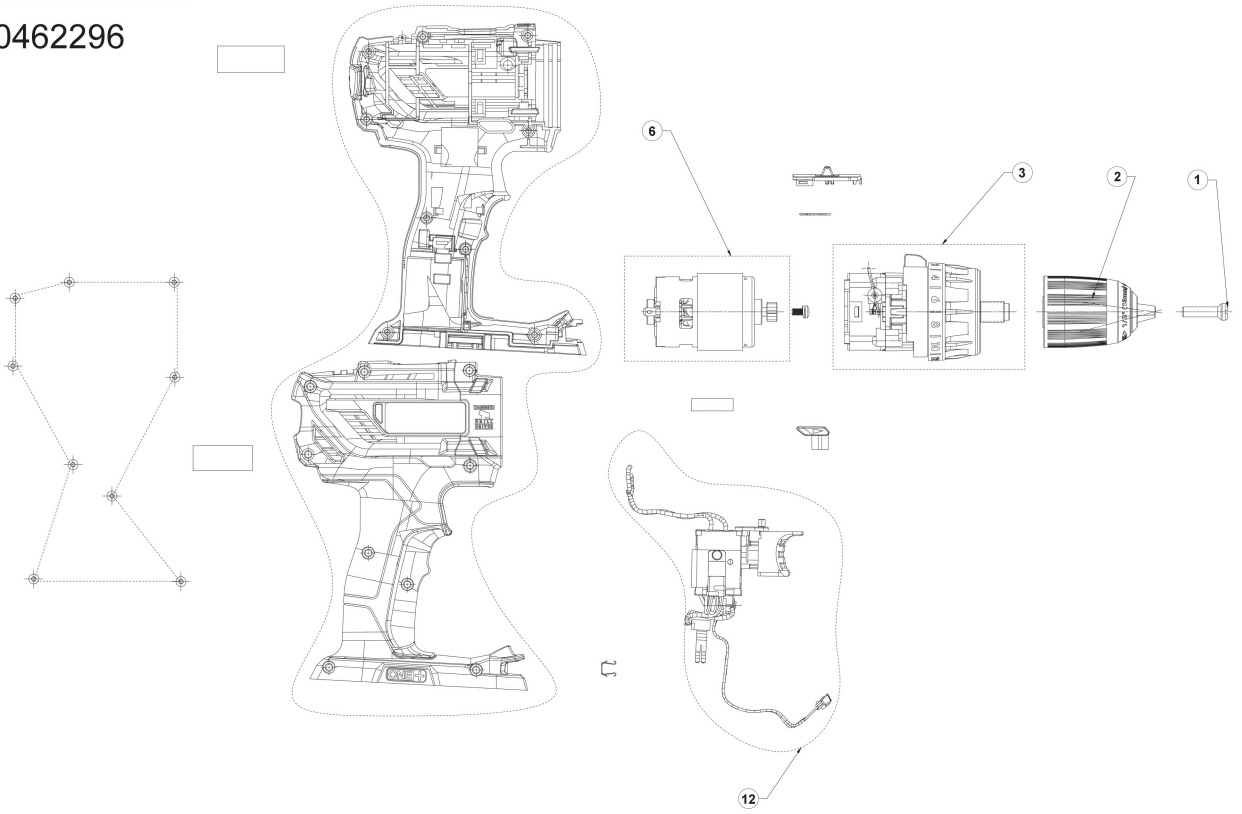
R18PD3-220S 18V Compact Drill IN2

5133003342 - R18PD3-220S - 4000462297





4000462296



Position	Quantity	Description	Part number	EAN
1001	1	SCREW	5131001845	4058546083502
1002	1	CHUCK	5131041003	4058546062675
1003	1	OFFSET GEAR	5131041007	4058546062712
1006	1	MOTOR	5131041005	4058546062699
1012	1	SWITCH	5131041006	4058546062705