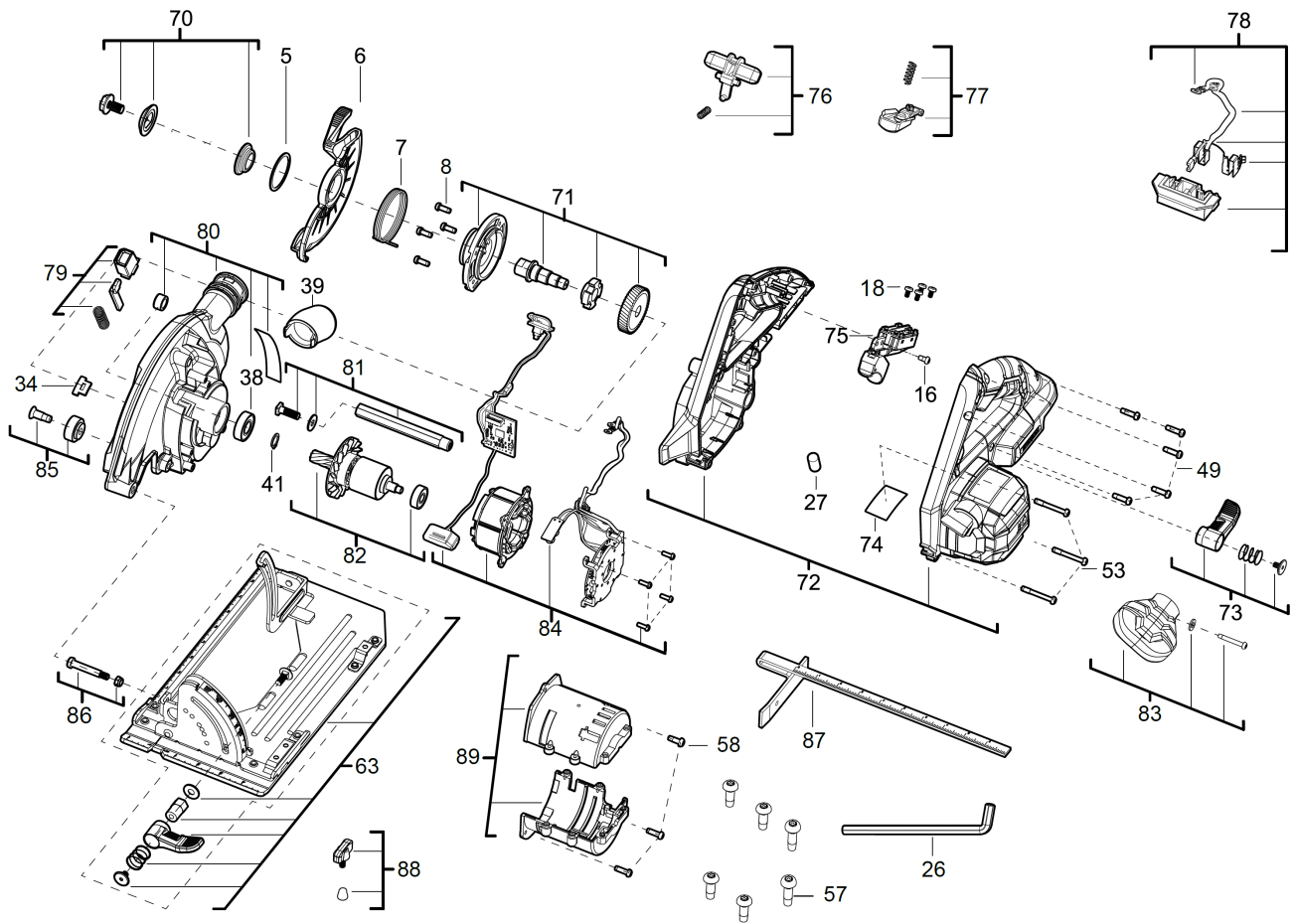


BKS18BL-0 18V CIRCULAR SAW XXX

4935451537 - BKS18BL-0 - 4000474523





Position	Quantity	Description	Part number	EAN
0005	1	RETAINING RING	4931454260	4002395286546
0006	1	GUARD	4931454261	4002395286553
0007	1	TORSION SPRING	4931454262	4002395286560
0008	4	SCREW	660165011	4002395903702
0016	1	SCREW	660208094	4002395903740
0018	1	SCREW	4931472861	4058546331634
0026	1	WRENCH	4931454264	4002395286584
0027	1	PLUG	4931448203	4002395252435
0034	1	DUST GUARD CAP	4931454265	4002395286591
0038	1	BALL BEARING	4931452227	4002395180547
0039	1	DUST EXTRACTION AS.	4931454266	4002395283804
0041	1	RETAINING RING	4931454267	4002395283811
0049	5	SCREW	660024044	4002395834518
0053	3	SCREW	4931454268	4002395283828
0057	6	SCREW	4931454269	4002395285396
0058	3	SCREW	4931454270	4002395286003
0063	1	BASE PLATE	4931454271	4002395286010
0070	1	FLANGE	4931454272	4002395286027
0071	1	SPINDLE LOCK	4931454273	4002395286034
0072	1	HANDLE COMPL.	4931454274	4002395286041
0073	1	LEVER	4931454275	4002395286058
0074	1	RATING PLATE	4931472862	4058546331641
0075	1	SWITCH ASSEMBLY	4931472863	4058546331658
0076	1	LEVER	4931454278	4002395286089
0077	1	TRIGGER	4931454279	4002395286096
0078	1	CONTACT CASE	4931472864	4058546331665
0079	1	SPINDLE LOCK	4931454281	4002395286713
0080	1	GUARD CAP	4931454282	4002395286720
0081	1	GUIDE BAR	4931454283	4002395286737
0082	1	MOTOR ASSEMBLY	4931454284	4002395286744
0083	1	HANDLE COMPL.	4931454285	4002395286751
0084	1	ELECTRIC FIELD	4931472865	4058546331672
0085	1	RUBBER BUMPER	4931454287	4002395286775
0086	1	SCREW	4931454288	4002395286782
0087	1	GUIDE	4931411829	4002395832415
0088	1	KNOB	4931454289	4002395286799
0089	1	MOTOR HOUSING	4931454290	4002395284009